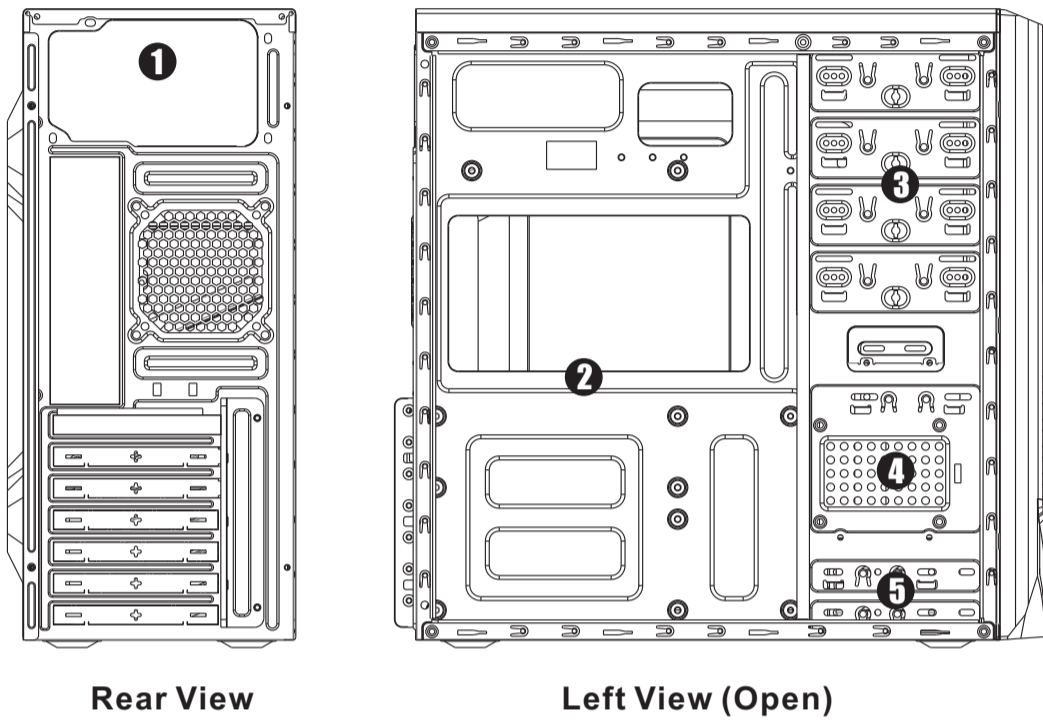
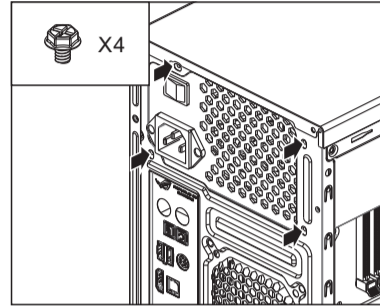


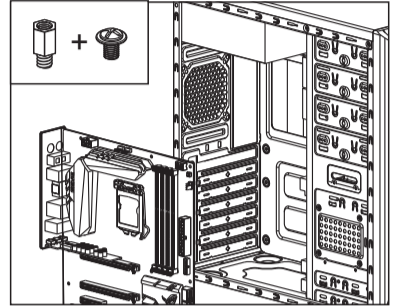
USER'S MANUAL



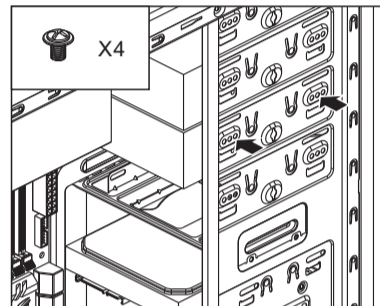
1. Install PSU



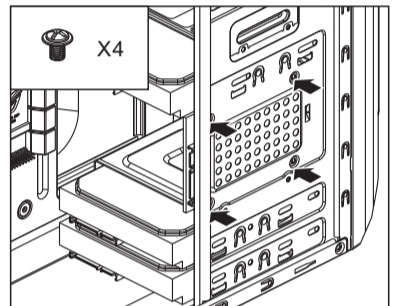
2. Install Motherboard



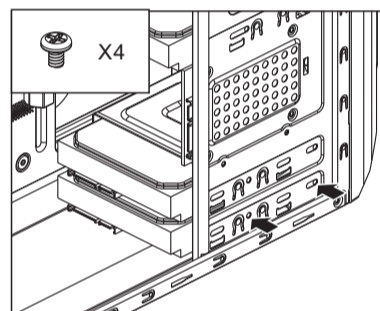
3. Install ODD



4. Install 2.5" SSD

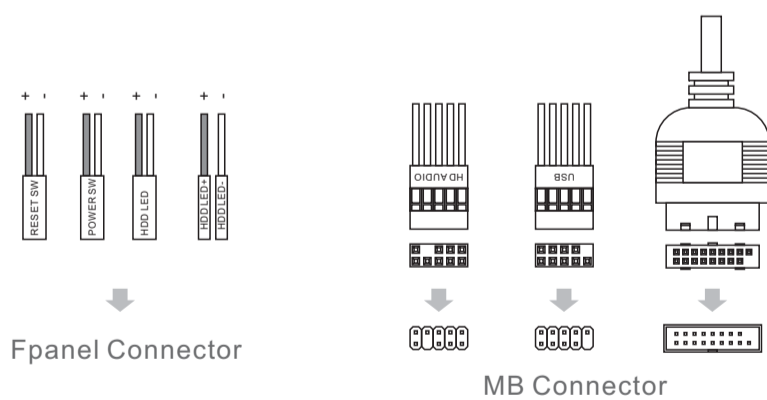


5. Install 3.5" HDD



USER'S MANUAL

Cable Connection for Front I/O



Accessory Bag Contents



Motherboard Standoff



PSU Screw
PCI Screw



Motherboard Screw
SSD Screw
ODD Screw



3.5" HDD Screw