



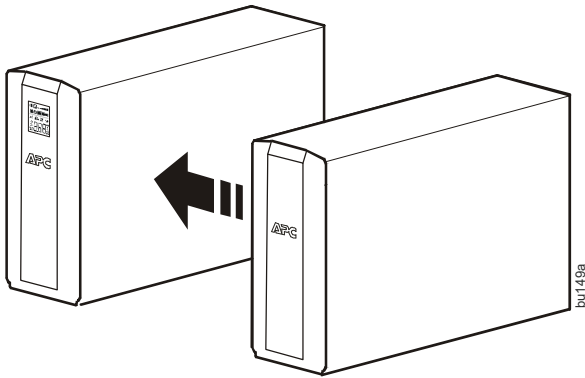
APC[™]

by Schneider Electric

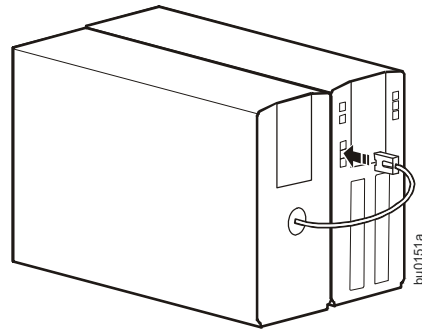
Installation and Operation Back-UPS[™] Pro Battery Pack

Installation

1



2



Battery Maintenance and Storage Guidelines

Please follow these Guidelines to get the best performance possible from your UPS.

1. **Keep the UPS in a cool location.**
2. **Turn the UPS OFF when connected equipment is not in use.** If the connected equipment will not be used for a long period of time, turn the UPS OFF to preserve the battery.
3. **Manage UPS Shut down in regions having frequent outages.** Promptly save your files and shut down your computer at the onset of a power outage to preserve battery life and reduce recharge time. If the UPS was supplied with a computer cable, you can automate this process by downloading and configuring PowerChute[™] software.
4. **Replace the battery after extended storage.** The stored UPS battery must be recharged every 6 months. If the battery has been stored for an extended period, it is recommended to purchase a new BR24BPG to maintain optimal UPS performance. Note: APC's UPS inventory policy is to recharge the UPS before storage causes loss of run time performance.

APC by Schneider Electric IT Customer Support Worldwide

For country specific customer support, go to the APC by Schneider Electric Web site, www.apc.com.

Specifications

Model	BR24BPG
Battery Voltage	24 Vdc (nominal)
Typical Recharge Time	24 hours
Operating Temperature	0° to 40°C (32° to 104°F)
Storage Temperature	-5° to 45°C (23° to 113°F)
Operating / Storage Relative Humidity	0 to 95% non-condensing
Size (H x W x D)	30.1 x 11.2 x 38.2 cm (11.9 x 4.4 x 15 in)
Weight	13.4 kg (29.5 lb)
Shipping Weight	14.6 kg (32.2 lb)

Limited Warranty

The standard warranty is three (3) years from the date of purchase. (Valid in U.S., Canada, and European Community only. For all other regions, the standard warranty is two (2) years from the date of purchase). APC's standard procedure is to replace the original unit with a factory reconditioned unit. Customers who must have the original unit back due to the assignment of asset tags and set depreciation schedules must declare such a need at first contact with an APC Technical Support representative. APC will ship the replacement unit once the defective unit has been received by the repair department, or cross-ship upon the receipt of a valid credit card number. The customer pays for shipping the unit to APC. APC pays ground freight transportation costs to ship the replacement unit to the customer.

Customer support and warranty information is available at the APC by Schneider Electric Web site, www.apc.com.