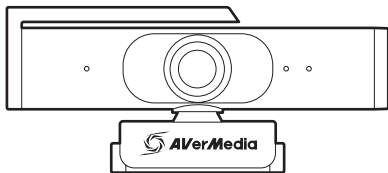


# AVerMedia

## Live Streamer CAM 513 PW513

### Quick Guide



English	Polski
Deutsch	Čeština
Français	Русский
Italiano	繁體中文
Español	简体中文
Português	한국어
Nederlands	ภาษาไทย
Magyar	日本語

## Disclaimer

All pictures contained in this documentation are example images only. The images may vary depending on the product and software version. Information presented in this documentation has been carefully checked for reliability; however, no responsibility is assumed for inaccuracies. The information contained in this documentation is subject to change without notice.

## Copyright and Trademark Information

© 2021 by AVerMedia Technologies, Inc. All rights reserved. No part of this publication, in whole or in part, may be reproduced, transmitted, transcribed, altered or translated into any language in any form by any means without the written permission of AVerMedia Technologies, Inc. Information and specification contained in this manual are subject to change without notice and do not represent a commitment on the part of AVerMedia.

For more information, please visit [www.avermedia.com](http://www.avermedia.com).

AVerMedia is trademark or registered trademark of AVerMedia Technologies, Inc.

## Headquarters

Address No.135, Jian 1st Rd., Zhonghe Dist., New Taipei City 23585, Taiwan

Website [www.avermedia.com](http://www.avermedia.com)

Support [www.avermedia.com/support](http://www.avermedia.com/support)

Telephone +886-2-2226-3630

## US Office

Address 4038 Clipper Ct., Fremont, CA 94538, United States

Website [www.avermedia-usa.com](http://www.avermedia-usa.com)

## Europe Office

Address Hanauer Landstrasse 291 B, 60314 Frankfurt Hessen, Germany

## 國際總部

地址 23585 新北市中和區建一路 135 號

網址 [www.avermedia.com](http://www.avermedia.com)

支援 [www.avermedia.com/support](http://www.avermedia.com/support)

電話 +886-2-2226-3630

## 中国子公司

地址 上海市静安区武宁南路 488 号智慧广场 1510 室

网址 [www.avermedia.com.cn](http://www.avermedia.com.cn)

电话 +86-21-52987985

## Japan Office

Address 6F, Kojimachi Syuei Bldg, 4-3-13 Kudan-minami, Chiyoda-ku, Tokyo ,102-0074, Japan

Website [www.avermedia.co.jp/](http://www.avermedia.co.jp/)

Support [www.avermedia.co.jp/support](http://www.avermedia.co.jp/support)

## Important Safety Instructions

1. Read these instructions.
2. Keep these instructions.
3. Follow all instructions.
4. Heed all warnings.
5. Do not use the apparatus on uneven or unstable surfaces.
6. Do not use this apparatus in a wet environment or near water.
7. Unplug the apparatus before cleaning. Clean only with a dry cloth.
8. Use in a well ventilated environment. Do not block any ventilation openings.
9. Use the apparatus within ambient temperatures 32–104°F (0–40°C).
10. Use power sources within the specified voltage range.
11. Do not place heavy objects on the apparatus.
12. Do not install near heat sources such as radiators or stoves.
13. Do not defeat the safety purposes of the polarized or grounding-type plug.
14. Protect the power cord from being walked on or pinched, particularly where the cord connects with plugs or adapters.
15. Only use the attachments and accessories specified by the manufacturer.
16. Unplug this apparatus during lightning or when unused for prolonged periods of time.
17. Do not modify or disassemble the apparatus in any way.
18. Refer all servicing to AVerMedia Customer Service.
19. Do not dispose the apparatus as general household waste. Dispose in accordance with local environmental laws.

## 重要安全說明

1. 仔細閱讀這些說明。
2. 妥善保存這些說明。
3. 遵守所有的指示。
4. 注意所有的警告。
5. 請勿將本產品安裝於不平穩的表面。
6. 請勿在潮濕或靠近水的地方使用本產品。
7. 清潔前請拔除電源。僅使用乾布清潔。
8. 請於通風的環境使用本產品。請勿堵住通風口。
9. 請於規格溫度範圍 32–104°F (0–40°C) 使用本產品。
10. 請使用額定電壓範圍內的電源。
11. 請勿放置重物於本產品上。
12. 請勿安裝於熱源附近如暖器或火爐旁。
13. 請勿破壞極性或接地插頭的安全防護設計。
14. 請保護電源線，勿使其被踩踏或碾壓，特別是與插頭或變壓器的連接處。
15. 僅使用製造商指定的配件及零件。
16. 打雷或長時間不使用時請拔除電源。
17. 請勿以任何方式改造或拆解本產品。
18. 如需維修請洽本公司客服人員。
19. 請勿當作家庭垃圾任意丟棄。請遵從當地環境法規妥善處理。

## 重要安全说明

1. 仔细阅读这些说明。
2. 妥善保存这些说明。
3. 遵守所有的指示。
4. 注意所有的警告。
5. 请勿将本产品安装于不平稳的表面。
6. 请勿在潮湿或靠近水的地方使用本产品。
7. 清洁前请拔除电源。仅使用干布清洁。
8. 请于通风的环境使用本产品。请勿堵住通风口。
9. 请于规格温度范围 32–104°F (0–40°C) 使用本产品。
10. 请使用额定电压范围内的电源。
11. 请勿放置重物于本产品上。
12. 请勿安装于热源附近如暖器或火炉旁。
13. 请勿破坏极性或接地插头的安全防护设计。
14. 请保护电源线，勿使其被踩踏或碾压，特别是与插头或变压器的连接处。
15. 仅使用制造商指定的配件及零件。
16. 打雷或长时间不使用时请拔除电源。
17. 请勿以任何方式改造或拆解本产品。
18. 如需维修请洽本公司客服人员。
19. 请勿当作家庭垃圾任意丢弃。请遵从当地环境法规妥善处理。

## Inside the Box

These are what you'll find in the box:



Live Streamer  
CAM 513

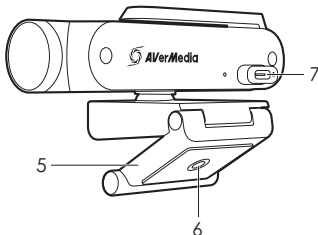
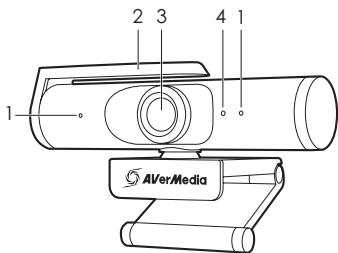


USB 3.0 Type-C  
to Type-A Cable



Quick Guide

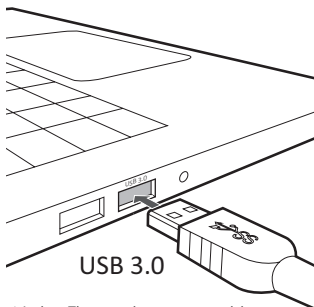
## Parts and Ports



- 1 Microphone
- 2 Privacy Shutter
- 3 Lens
- 4 Power Indicator  
Solid Blue: In Use  
Off: Not in Use
- 5 Clip/Base
- 6 Tripod Attachment
- 7 USB 3.0 Type-C Port

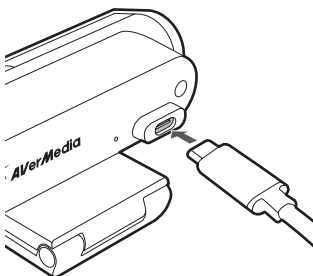
# Installation

1

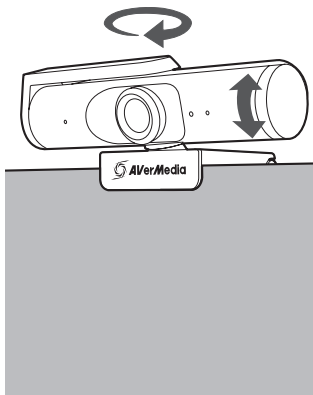
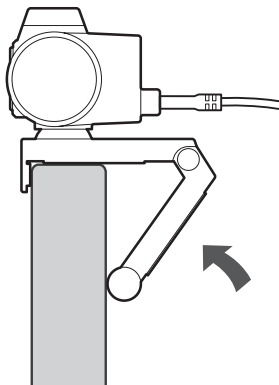


Note: The webcam must be plugged into a USB 3.0 port for a stable video.

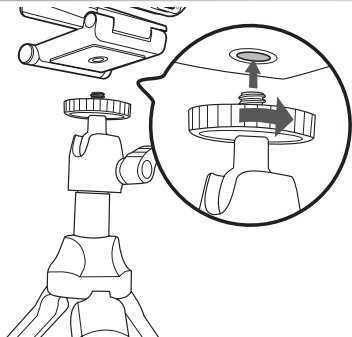
2



3



## Installation (Tripod Not Included)



## More Info

This device does NOT require driver installation. For more information, visit our webpage <http://q.avermedia.com/PW513> or scan this QR code.



## Specifications

Connection Type	USB 3.0 Type-C
Image Sensor	Sony Exmor™ 4K CMOS
Max. Resolution	3840 x 2160
Max. Frame Rate	30 fps (3840 x 2160), 60 fps (1920 x 1080)
Field of View	94° (diagonal)
F/#	2.8
Focus Method (Lens Type)	Fixed
Microphone Type	Dual built-in microphones
UVC Support	Yes
Dimensions (W x D x H)	130 x 65.1 x 49.3 mm (5.12 x 2.56 x 1.94 in)
Weight	199 g

## Verpackungsinhalt

Inhalt der Schachtel:

- Live Streamer CAM 513
- USB 3.0 Typ-C-zu-Typ-A-Kabel
- Schnellanleitung

## Teile und Anschlüsse

1. Mikrophon
2. Privatsphäreabdeckung
3. Objektiv
4. Leistungsanzeige  
Dauerhaft Blau: Wird verwendet  
Aus: Wird nicht verwendet
5. Clip/Basis
6. Stativbefestigung
7. USB 3.0 Typ-C-Anschluss

## Installation

Hinweis: Die Webcam muss für ein stabiles Video in einen USB-3.0-Anschluss gesteckt werden.

## Installation (Stativ nicht enthalten)

## Weitere Informationen

Dieses Gerät benötigt KEINE Treiberinstallation.

Für weitere Informationen besuchen Sie bitte unsere Webseite unter: <http://q.avermedia.com/PW513> oder scannen Sie den QR-Code.

# Français

## Contenu du Coffret

Contenu de la boîte:

- Live Streamer CAM 513
- Câble USB 3.0 de type C à type A
- Guide de démarrage rapide

## Présentation du produit

1. Micro
2. Volet de protection
3. Objectif
4. Indicateur de puissance  
Bleu uni : En usage  
Off : Non utilisé
5. Clip/Base

6. Fixation pour trépied
7. Port USB 3.0 de type C

## Installation

Remarque : la webcam doit être branchée à un port USB 3.0 pour afficher une image stable.

## Installation (Trépied non inclus)

## Plus d'informations

Cet appareil ne nécessite PAS l'installation de pilotes.

Pour plus d'informations, visitez notre page web <http://q.avermedia.com/PW513> ou scannez ce code QR.

# Italiano

## Contenuto della scatola

Contenuto:

- Live Streamer CAM 513
- Cavo USB 3.0 da tipo C a tipo A
- Guida rapida

## Parti e porte

1. Microfono
2. Otturatore di riservatezza
3. Obiettivo
4. Indicatore di alimentazione  
Blu fisso: In uso  
Spento: Non in uso
5. Clip/Base
6. Attacco del treppiede
7. Porta USB 3.0 di tipo C.

## Installazione

Nota: La webcam deve essere collegata a una porta USB 3.0 per avere un video stabile.

## Installazione (treppiede non incluso)

## Maggiori informazioni

Questo dispositivo NON richiede l'installazione di un driver

Per maggiori informazioni, visita la nostra pagina web <http://q.avermedia.com/PW513> o fai la scansione di questo codice QR.



# Español

## Dentro de la caja

Esto es lo que encontrará en la caja:

- Live Streamer CAM 513
- Cable de USB 3.0 Type-C a Type-A
- Guía rápida

## Componentes del producto

1. Micrófono
2. Pestaña de privacidad
3. Lentes
4. Indicador de Encendido  
Azul Fijo : En Uso  
Off : NO está en Uso
5. Clip/Base
6. Accesorio para trípode
7. Puerto USB 3.0 Type-C

## Instalación

Nota: La cámara web debe estar conectada a un puerto USB 3.0 para obtener un video estable.

## Instalación (Trípode No Incluido)

## Más Información

Este dispositivo no requiere de instalación de driver.

Para más información, visite nuestra página web <http://q.avermedia.com/PW513> o escanee este código QR.

# Português

## Conteúdo da embalagem

Irá encontrar os seguintes itens na embalagem:

- Live Streamer CAM 513
- Cavo USB 3.0 da tipo C a tipo A
- Guia rápido

## Componentes e portas

1. Microfone
2. Ocultador
3. Objetiva
4. Indicatore di alimentazione  
Blu fisso: In uso  
Spento: Non in uso
5. Clip/Base

6. Fixação de tripé
7. Porta USB 3.0 Tipo C

## Instalação

Nota: a câmara Web tem de estar ligada a uma porta USB 3.0 para garantir a estabilidade do vídeo.

## Instalação (tripé não incluído)

## Mais informações

Este dispositivo NÃO requer a instalação de controladores.

Para mais informações, visite a nossa página Web <http://q.avermedia.com/PW513> ou leia este código QR.

# Nederlands

## In de doos

Dit is wat u in de doos zult vinden:

- Live Streamer CAM 513
- USB 3.0 Type-C naar Type-A kabel
- Beknopte handleiding

## Onderdelen en poorten

1. Microfoon
2. Privacy sluitser
3. Lens
4. Stroomindicator  
Continu blauw: in gebruik  
Uit: niet in gebruik
5. Clip/Basis
6. Statiefbevestiging
7. USB 3.0 Type-C-poort

## Installatie

Opmerking: De webcam moet op een USB 3.0-poort worden aangesloten voor een stabiele video.

## Installatie (statief niet inbegrepen)

## Meer informatie

Dit apparaat vereist GEEN installatie van een stuurprogramma.

Ga voor meer informatie naar onze webpagina <http://q.avermedia.com/PW513> of scan deze QR-code.

## A doboz tartalma

Ezeket találja a dobozban:

- Live Streamer CAM 513
- USB 3.0 Type-C - Type-A kábel
- Gyors útmutató

## A készülék részei és portjai

1. Mikrofon
2. Adatvédelmi zár
3. Objektív
4. Bekapcsolásjelző  
Kéken világít: Használatban  
Nem világít: Nincs használatban
5. Csíptető/Alapzat
6. Állványrögzítés
7. USB 3.0 Type-C port

## Telepítés

Megjegyzés: A stabil videóhoz a webkamerát USB 3.0 portba kell csatlakoztatni.

## Telepítés (az állvány nincs a csomagban)

## További információ

Ehhez az eszközhöz NEM kell illesztőprogramot telepíteni.

További információért látogasson el a weboldalunkra: <http://q.avermedia.com/PW513>, vagy olvassa be ezt a QR-kódot.

# Polski

## W pudełku

W opakowaniu znajdują się:

- Live Streamer CAM 513
- Kabel USB 3.0 z C do A
- Skrócona instrukcja obsługi

## Części i złącza

1. Mikrofon
2. Zaślepka
3. Obiektyw
4. Wskaźnik zasilania  
Świeci na niebiesko: w użyciu  
Wył.: nieużywane
5. Klips / podstawa

6. Złącze statywu
7. Port USB 3.0 typu C

## Montaż

Uwaga: aby obraz był stabilny, kamera internetowa musi być podłączona do portu USB 3.0.

## Montaż (statyw jest sprzedawany osobno)

## Więcej informacji

To urządzenie NIE wymaga instalacji sterownika.

Aby uzyskać więcej informacji, odwiedź naszą stronę internetową <http://q.avermedia.com/PW513> lub zeskanuj kod QR.

# Čeština

## Obsah balení

Následuje obsah balení:

- Live Streamer CAM 513
- Kabel USB 3.0 s konektory A a C
- Rychlý návod

## Popis částí

1. Mikrofon
2. Kryt objektivu
3. Objektív
4. Ukazatel napájení  
Trvalá modrá: zapnuto  
Nesvíí: vypnuto
5. Přichytka/stojan
6. Stativový závit
7. Port USB 3.0 typu C

## Instalace

Poznámka: K zajištění stabilního videa musí být webkamera zapojena do portu USB 3.0.

## Instalace (stativ není součástí dodávky)

## Další informace

Toto zařízení NEVYŽADUJE instalování ovladače.

Další informace najdete na webové adrese <http://q.avermedia.com/PW513> nebo naskenujte QR kód.

## Комплектация

Вот что находится в комплекте поставки:

- Live Streamer CAM 513
- Кабель USB 3.0 Type-C на Type-A Cable
- Краткое руководство

## Детали и порты

1. Микрофон
2. Защитная шторка
3. Объектив
4. Индикатор питания  
Горит синим; Используется  
Выключен; Не используется
5. Основание/Крепление
6. Крепление для штатива
7. Порт USB 3.0 Type-C

## Установка

Примечание: для стабильного видео потока веб-камеру необходимо подключать к порту USB 3.0.

## Установка (Штатив в комплект не входит)

## Дополнительная информация

Это устройство НЕ требует установки драйверов.

Для получения дополнительной информации посетите нашу веб-страницу <http://q.avermedia.com/PW513> или отсканируйте этот QR-код.

# 繁體中文

## 包裝內容

- Live Streamer CAM 513
- USB 3.0 Type-C 轉 Type-A 線
- 快速安裝手冊

## 外觀簡介

1. 麥克風
2. 鏡頭蓋
3. 視訊鏡頭
4. 電源指示燈  
藍燈：使用中  
無燈號：未使用
5. 固定支架/底座
6. 三腳架連接座

## 7. USB 3.0 Type-C 孔

## 安裝

注意：此產品強烈建議使用 USB 3.0 接口。

## 安裝 (產品不含腳架)

## 更多資訊

此產品不需安裝驅動程式。

更多資訊，請參考 <http://q.avermedia.com/PW513> 或掃描 QR code。

# 简体中文

## 包裝內容

- Live Streamer CAM 513
- USB 3.0 Type-C 轉 Type-A 線
- 快速指南手冊

## 外觀簡介

1. 麥克風
2. 隱私鏡頭蓋
3. 攝像頭鏡頭
4. 電源指示燈  
藍色：正在使用  
閃：未使用
5. 夾子/底座
6. 三腳架連接座
7. USB 3.0 Type-C 端口

## 安裝

注意：网络摄像头必须插入USB 3.0端口才能获得稳定的视频。

## 安裝 (產品不含腳架)

## 更多信息

此设备不需要安装驱动。了解更多产品信息请进入官网 <http://q.avermedia.com/PW513>，或者扫描右方二维码。

# 한국어

## 구성품

제품 박스에는 다음과 같은 내용물이 있습니다.

- Live Streamer CAM 513
- USB 3.0 C 타입-A 타입 연결케이블
- 퀵 가이드

## 부품과 포트

1. 마이크

## 日本語

2. 렌즈 커버
3. 렌즈
4. 전원 표시등  
연한 파랑: 사용 중  
꺼짐: 사용 중 아님
5. 클립/베이스
6. 삼각대 고정캡
7. USB 3.0 C 타입 포트

### 설치 방법

참고: 안정적인 동영상을 위해서는 웹캠을 반드시 USB 3.0 포트에 연결해야 합니다.

설치 방법 (삼각대는 포함되지 않음)

### 추가 정보

이 장치는 드라이버를 설치할 필요가 없다.  
자세한 내용을 저희 웹 페이지 <http://q.avermedia.com/PW513> 을 방문하거나 이 QR 코드를 스캔하세요.

### パッケージ内容物

パッケージに、以下のものが入っていることをご確認ください。

- ・ Live Streamer CAM 513 (PW513本体)
- ・ USB 3.0 Type-C to Type-A ケーブル
- ・ クイックガイド

### 本体各部の名称と機能

1. マイク
2. プライバシー保護シャッター
3. レンズ
4. 動作表示ランプ  
青点灯：動作中  
点灯しない：動作しません
5. フレキシブルクリップ/ベース
6. 三脚取り付け部
7. USB 3.0端子 (Type-C)

### 製品セットアップ

付属のUSB 3.0ケーブルでPW513をパソコンのUSB 3.0端子に接続してください。

製品セットアップ (三脚スタンドは付属していません)

### 詳しく

本製品はUVC対応のプラグ&プレイ製品です。別途専用ドライバーをインストールする必要はありません。詳しくは製品ページ (<http://q.avermedia.com/PW513-JP>) をご参照ください。

## ภาษาไทย

### ภายในกล่อง

- สิ่งของในกล่อง:
- Live Streamer CAM 513
  - สายเคเบิล USB 3.0 Type-C แปลง Type-A
  - คู่มือฉบับย่อ

### ชิ้นส่วนและพอร์ต

1. ไมโครโฟน
2. ชัตเตอร์ความเป็นส่วนตัวเป็นส่วนตัว
3. เลนส์
4. ไฟแสดงสถานะ  
สีฟ้าคงที่: กำลังใช้งาน  
ดับ: ไมได้ใช้งาน
5. คลิป/ฐาน
6. การเชื่อมต่อขาตั้งกล้อง
7. พอร์ต USB 3.0 Type-C

### การติดตั้ง

หมายเหตุ: ต้องเชื่อมต่อกล้องกับพอร์ต USB 3.0 เพื่อให้วีดีโอมีความเสถียร

### การติดตั้ง (ไม่รวมขาตั้ง)

### ข้อมูลเพิ่มเติม

อุปกรณ์นี้ไม่จำเป็นต้องลงไดรเวอร์  
สำหรับข้อมูลเพิ่มเติม สามารถเข้าชมได้ที่เว็บไซต์ <http://q.avermedia.com/PW513> หรือสแกน QR Code



## Federal Communications Commission Statement Class B

This device complies with Part 15 of the FCC Rules. Operation is subject to the following two conditions: (1) this device may not cause harmful interference, and (2) this device must accept any interference received, including interference that may cause undesired operation.

NOTE - This equipment has been tested and found to comply with the limits for a Class B digital device, pursuant to Part 15 of the FCC Rules. These limits are designed to provide reasonable protection against harmful interference in a residential installation. This equipment generates, uses and can radiate radio frequency energy and, if not installed and used in accordance with the instructions, may cause harmful interference to radio communications. However, there is no guarantee that interference will not occur in a particular installation. If this equipment does cause harmful interference to radio or television reception, which can be determined by tuning the equipment off and on, the user is encouraged to try to correct the interference by one or more of the following measures:

- Reorient or relocate the receiving antenna.
- Increase the separation between the equipment and receiver.
- Connect the equipment into an outlet on a circuit different from that to which the receiver is connected.
- Consult the dealer or an experienced radio/television technician for help.

CAUTION ON MODIFICATIONS - To comply with the limits for the Class B digital device, pursuant to Part 15 of the FCC Rules, this device must be installed in computer equipment certified to comply with the Class B limits. All cables used to connect the computer and peripherals must be shielded and grounded. Operation with non-certified computers or non-shielded cables may result in interference to radio or television reception.

Changes and modifications not expressly approved by the manufacturer or registrant of the equipment can void your authority to operate the equipment under Federal Communications Commission rules.



## European Community Compliance Statement Class B

This product is herewith confirmed to comply with the requirements set out in the Council Directives on the approximation of the laws of the Member States relating to Electromagnetic Compatibility Directive (EMC) 2014/30/EU.



## Waste Electrical and Electronic Equipment Directive

The mark of crossed-out wheeled bin indicates that this product must not be disposed of with your other household waste. Instead, you need to dispose of the waste equipment by handing it over to a designated collection point for the recycling of waste electrical and electronic equipment. For more information about where to drop off your waste equipment for recycling, please contact your household waste disposal service or the shop where you purchased the product.

## CAN ICES-3(B)/NMB-3(B)

Canada - Canada Industry Canada (IC) Labelling Requirements

Every manufacturer or importer shall ensure import or before offering for sale, as appropriate, that each unit of the type that they offer for sale bears, in allocation convenient for inspection, a permanent label or marking containing (in French and English), the following statement:

ICES-003 (Interference - Causing Equipment Standards)

"This class B digital apparatus complies with Canadian ICES-003.

Cet appareil numérique de la classe B est conforme à la norme NMB-003 du Canada."



## Technical Regulations of the Customs Union

TR CU 020/2011



## MSIP Class B Statement (Korea)

B급 기기 (가정용 방송통신기자재): 이 기기는 가정용(B급) 전자파적합기기로서 주로 가정에서 사용하는 것을 목적으로 하며, 모든 지역에서 사용할 수 있습니다.

Class B (For Home Use Broadcasting & Communication Equipment): This equipment is home use (Class B) electromagnetic wave suitability equipment and to be used mainly at home and it can be used in all areas.

R-R-AVM-  
PW513



## Regulatory Compliance Mark



## BSMI Registration of Product Certification (Taiwan)

【圖剛 BSMI 限用物質及其化學符號】放置於公司企業社會責任專頁網址  
<http://www.avermedia.com/tw/responsibility>

D33183  
RoHS



この装置は、クラスB情報技術装置です。この装置は、家庭環境で使用することを目的としていますが、この装置がラジオやテレビジョン受信機に近接して使用されると、受信障害を引き起こすことがあります。取扱説明書に従って正しい取り扱いをしてください。

300APW513ECE  
Live Streamer CAM 513  
Model No.: PW513  
Webcam/網路攝影機/网络摄像头  
Made in Taiwan/台灣製造/台湾制造

[www.avermedia.com](http://www.avermedia.com)