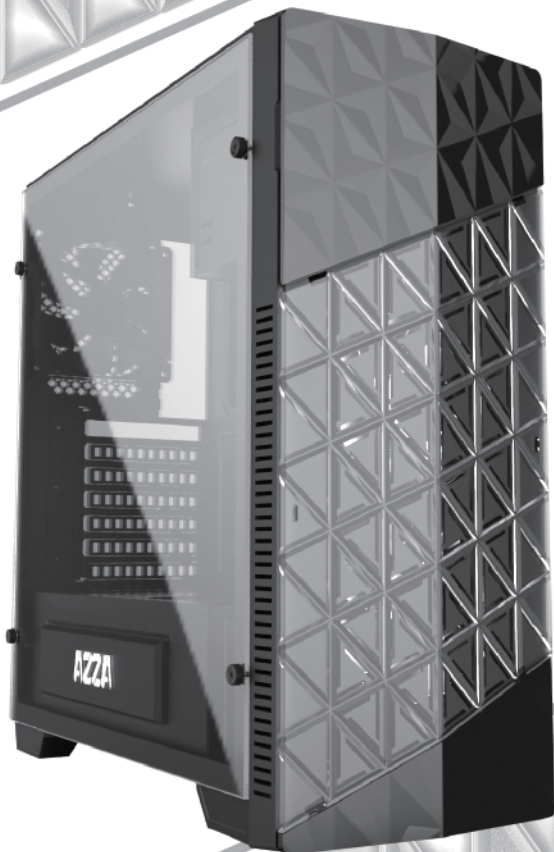


# AZZA

ONE VISION. ONE MISSION

# ONYX 260

## USER MANUAL



**AZZA**  
ONE VISION. ONE MISSION

# Installation Instructions

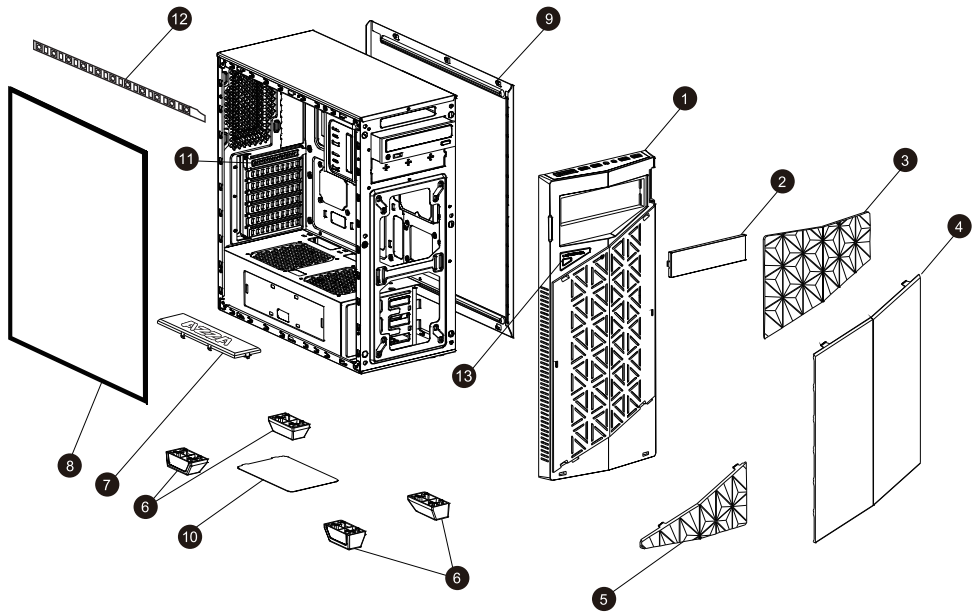
---

1. Specifications
2. Chassis Parts
3. Control Panel Functions
4. ODD Installation
5. Outstanding Expandability / Excellent Compatibility
6. 3.5"/2.5" HDD Installation
7. Optional Liquid Cooling System

# Specifications

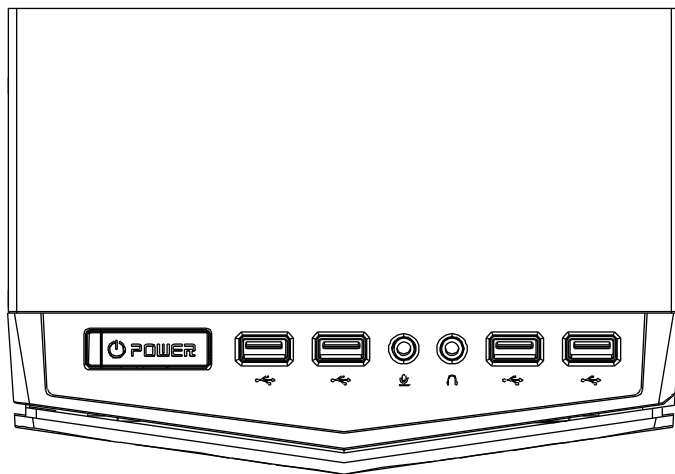
<b>Model</b>	
Model Name:	Onyx
Model Number:	CSAZ-260 / CSAZ-260X
<b>Specs</b>	
Type:	ATX Mid-Tower
Color:	Black/White
Side Panel Window:	Tempered Glass
Max CPU Cooler Height	Up to 155mm
With Power Supply:	No
Motherboard Compatibility:	ATX, Full ATX, Micro ATX
<b>Expansion</b>	
External 5.25" Drive Bays:	1
External 3.5" Drive Bays:	0
Internal 2.5" Drive Bays:	Up to 5
Internal 3.5" Drive Bays:	Up to 3
Expansion slots:	7
<b>Front Ports</b>	
CSAZ-260:	1xUSB 3.0, 3xUSB 2.0, Audio port
CSAZ-260X:	2xUSB 3.0, 2xUSB 2.0, Audio port
<b>RGB light effects</b>	external switch for RGB light controller RGB light strip with magnet RGB back lit logo plate RGB lit front acrylic panel
<b>Cooling System</b>	
120mm Fan:	120mm LED front fan, 120mm black rear fan
<b>Physical Specs</b>	
Dimensions(HxWxD)	473mm x 198mm x 447mm
Weight	6.16kg (13.58 lbs)
<b>Features</b>	
Max VGA card length	Support up to 380mm long VGA cards
Tempered Glass Side Window	High-quality tempered glass side window allows for clear visuals to inner components.
Available Fan Ports	2x120mm/2x140mm fan ports in front(1x120mm LED fan installed) 2x120mm fan ports on bottom 1x120mm fan port in rear(installed)
Supports Water Cooling	Supports 120mm/140mm/240mm water cooling radiator
Bottom Mount Power Supply:	Power supply located at the bottom
Cable Management:	Cables are hidden behind the pre-drilled motherboard tray-- better cable management means better air flow



# Chassis parts




1	Front bezel
2	5.25" Device cover X1
3	Door
4	Acrylic cover with 5 RGB lights
5	Bottom decoration plate
6	Stand X4
7	Logo plate with back RGB lights
8	Left side panel
9	Right side panel
10	Dust filter
11	PCI slot cover
12	RGB light strip with magnet
13	RGB lights controller

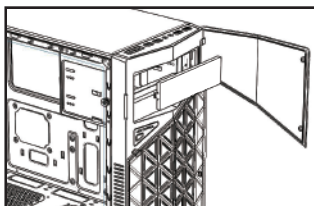
## Control panel functions



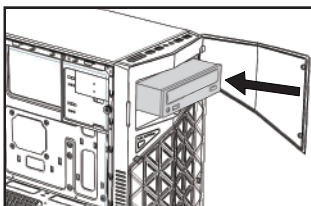
	Power
	Power LED & HDD LED

	USB3.0(Blue)
	USB2.0(Black)
	Mic
	Audio

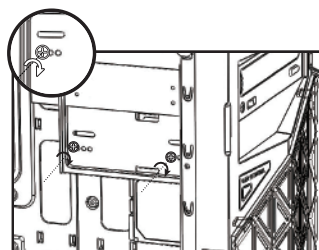
## ODD Installation



Take out drive cover.

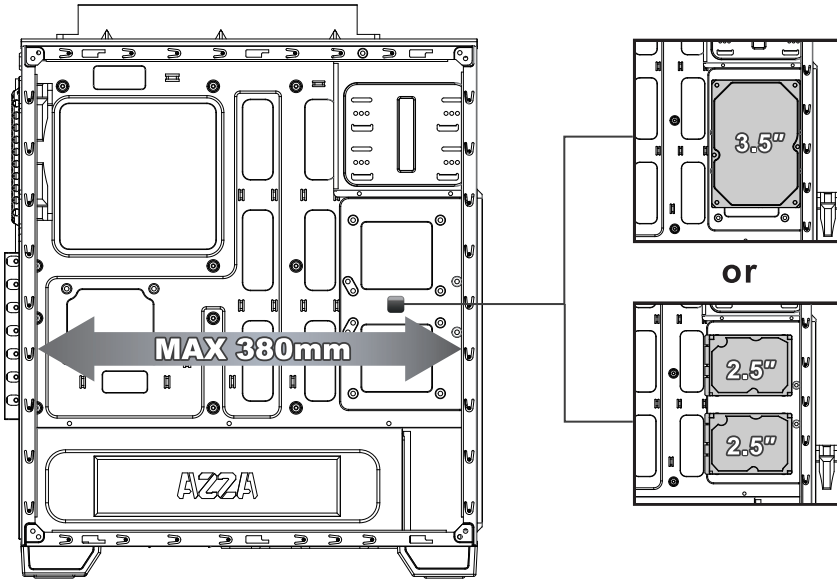


Insert ODD drive.



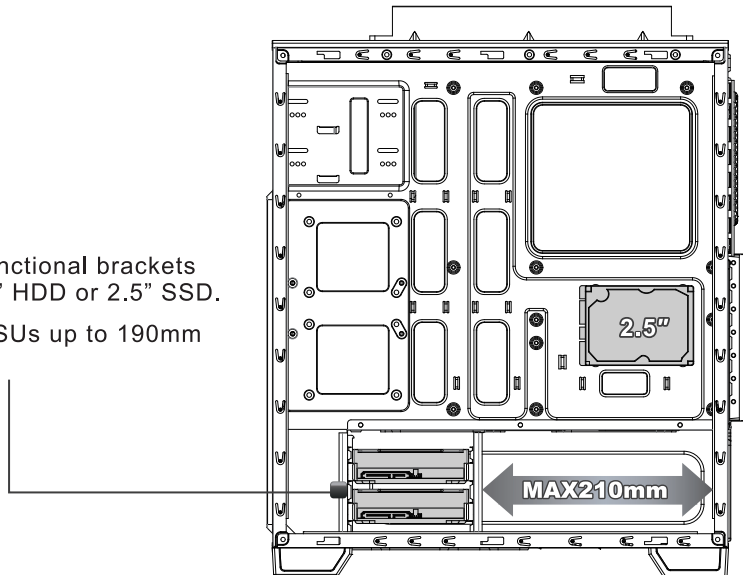
Fix ODD drive.

# Outstanding Expandability/Excellent Compatibility

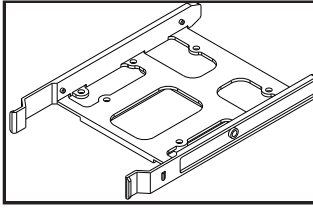


- Two 2.5" SSD or one 3.5" HDD can be installed on the MB side.
- Supports VGA cards up to 380mm in length.

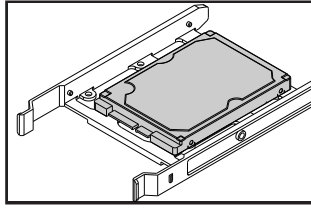
- Two multifunctional brackets support 3.5" HDD or 2.5" SSD.
- Supports PSUs up to 190mm in length.



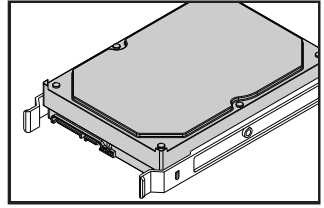
## 3.5" / 2.5" HDD Installation



Multifunctional bracket.

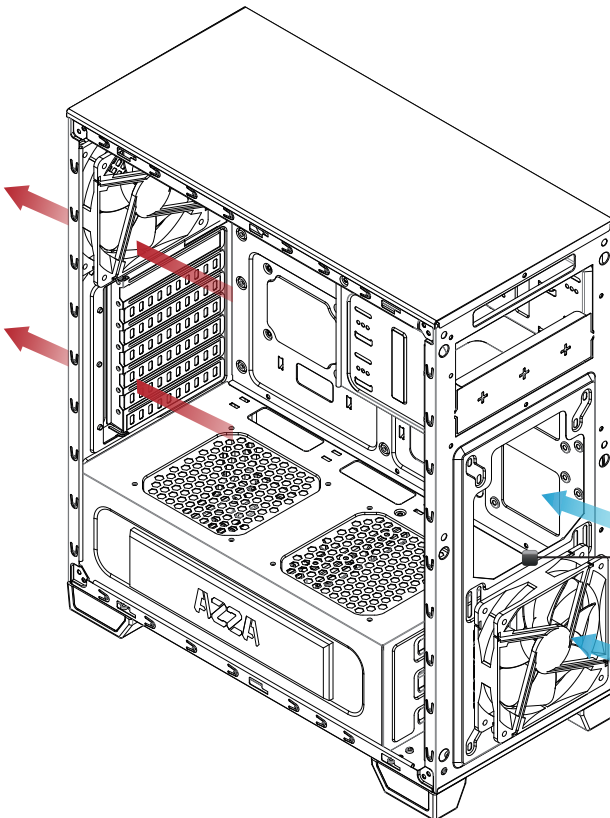


Fix 2.5" SSD / HDD with screws.



Fix 3.5" HDD with screws.

## Optional liquid cooling system



- Support for liquid cooling system  
(2x120mm/2x140mm fan)  
Up to 1x240mm water cooling radiator