

# beko

**Refrigerator**

Instruction of use

**Kühlschrank**

Gebrauchsanweisung

**Réfrigérateur**

Notice d'utilisation

**Koelkast**

Gebruiksaanwijzing

**Hladilnik**

Navodila za uporabo

**Hladnjak**

Upute za uporabu



BLSA210M3SN

EN-DE-FR-NL-SL-HR



## Please read this user manual first

Dear Customer,

We hope that your product, which has been produced in modern plants and checked under the most meticulous quality control procedures, will provide you an effective service.

Therefore, read this entire user manual carefully before using the product and keep it as a reference. If you handover the product to someone else, give the user manual as well.

## The user manual will help you use the product in a fast and safe way.

- Read the manual before installing and operating the product.
- Make sure you read the safety instructions.
- Keep the manual in an easily accessible place as you may need it later.
- Read the other documents given with the product.
- Remember that this user manual is also applicable for several other models.
- Differences between models will be identified in the manual.

## Explanation of symbols

Throughout this user manual the following symbols are used:

 Important information or useful tips.

 Warning against dangerous conditions for life and property.

 Warning against electric voltage.



### **WARNING!**

In order to ensure a normal operation of your refrigerating appliance, which uses a completely environmentally friendly refrigerant the R600a (flammable only under certain conditions) you must observe the following rules:

- Do not hinder the free circulation of the air around the appliance.
- Do not use mechanical devices in order to accelerate the defrosting, others than the ones recommended by the manufacturer.
- Do not destroy the refrigerating circuit.
- Do not use electric appliances inside the food keeping compartment, other than those that might have been recommended by the manufacturer.

### **Recycling**



This product is supplied with the selective sorting symbol for waste electrical and electronic equipment (WEEE).

This means that this product must be handled pursuant to European Directive 2002/96/EC in order to be recycled or dismantled to minimise its impact on the environment. For further information, please contact your local or regional authorities.

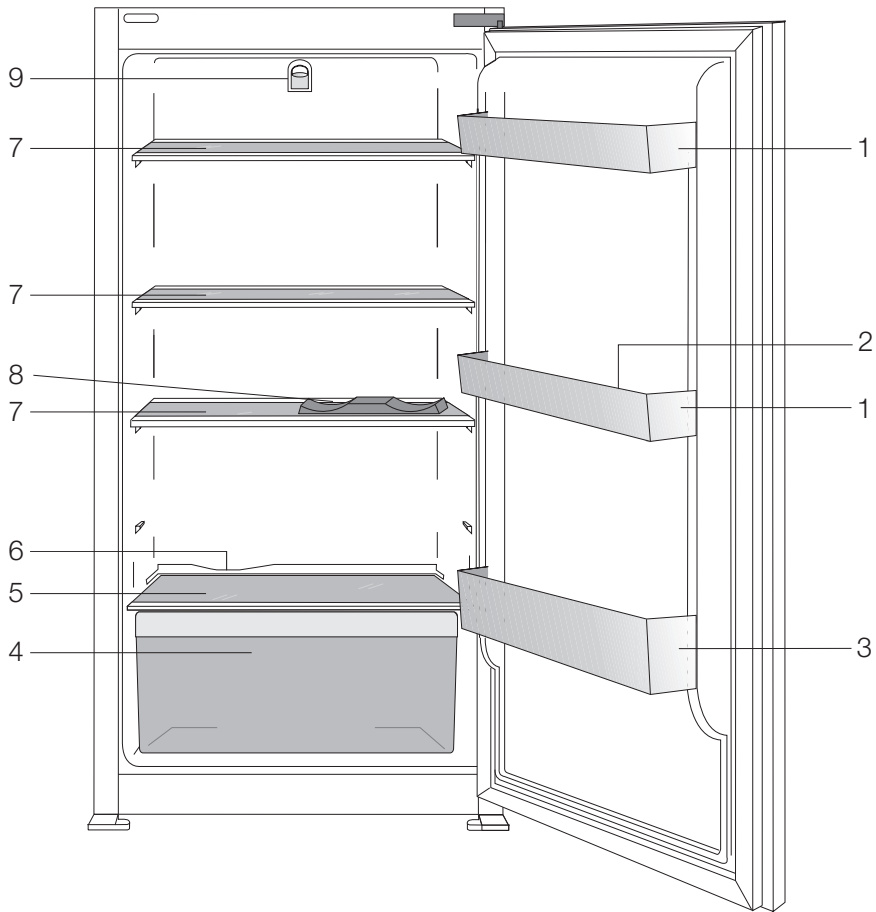
Electronic products not included in the selective sorting process are potentially dangerous for the environment and human health due to the presence of hazardous substances.

## CONTENTS

---

<b>1 Your refrigerator</b>	<b>3</b>	<b>4 Preparation</b>	<b>10</b>
<b>2 Important Safety Warnings</b>	<b>4</b>	<b>5 Using your refrigerator</b>	<b>11</b>
Intended use .....	4	Setting the operating temperature ...	11
General safety .....	4	Using interior compartments.....	11
For products with a water dispenser...	6	Cooling.....	11
Child safety.....	6	Defrost .....	12
HCA warning.....	6	Stopping your product.....	12
Things to be done for energy saving...	6	Bottle holder.....	12
<b>3 Installation</b>	<b>7</b>	<b>6 Maintenance and cleaning</b>	<b>13</b>
Points to be paid attention to when the relocation of the refrigerator.....	7	Protection of plastic surfaces .....	13
Before you start the refrigerator .....	7	<b>7 Troubleshooting</b>	<b>14</b>
Electrical connection.....	7		
Disposing of the packaging .....	9		
Disposing of your old refrigerator.....	8		
Placing and Installation .....	8		
Replacing the interior lamp.....	8		
Reversing the doors .....	9		

# 1 Your refrigerator



- |    |                         |    |   |
|----|-------------------------|----|---|
| 1. | Adjustable door shelves | 6. | Defrost water collection channel - drain tube |
| 2. | Egg tray                | 7. | Movable shelves                               |
| 3. | Bottle shelf            | 8. | Bottle holder                                 |
| 4. | Crisper                 | 9. | Light bulb and thermostat box                 |
| 5. | Crisper cover           |    |   |

**i** Figures that take place in this instruction manual are schematic and may not correspond exactly with your product. If the subject parts are not included in the product you have purchased, then it is valid for other models.

## 2 Important Safety Warnings

---

Please review the following information. Failure to observe this information may cause injuries or material damage. Otherwise, all warranty and reliability commitments will become invalid.

Original Spare parts will be provided for 10 years, following the product purchasing date.

### Intended use

This product is intended to be used:

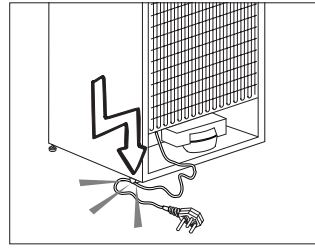
- indoors and in closed areas such as homes;
- in closed working environments such as stores and offices;
- in closed accommodation areas such as farm houses, hotels, pensions.
- It should not be used outdoors.

### General safety

- When you want to dispose/scrap the product, we recommend you to consult the authorized service in order to learn the required information and authorized bodies.
- Consult your authorized service for all your questions and problems related to the refrigerator. Do not intervene or let someone intervene to the refrigerator without notifying the authorised services.
- For products with a freezer compartment; Do not eat cone ice cream and ice cubes immediately after you take them out of the freezer compartment! (This may cause frostbite in your mouth.)
- For products with a freezer compartment; Do not put bottled and canned liquid beverages in the freezer compartment. Otherwise, these may burst.
- Do not touch frozen food by hand; they may stick to your hand.

- Unplug your refrigerator before cleaning or defrosting.
- Vapor and vaporized cleaning materials should never be used in cleaning and defrosting processes of your refrigerator. In such cases, the vapor may get in contact with the electrical parts and cause short circuit or electric shock.
- Never use the parts on your refrigerator such as the door as a means of support or step.
- Do not use electrical devices inside the refrigerator.
- Do not damage the parts, where the refrigerant is circulating, with drilling or cutting tools. The refrigerant that might blow out when the gas channels of the evaporator, pipe extensions or surface coatings are punctured causes skin irritations and eye injuries.
- Do not cover or block the ventilation holes on your refrigerator with any material.
- Electrical devices must be repaired by only authorised persons. Repairs performed by incompetent persons create a risk for the user.
- In case of any failure or during a maintenance or repair work, disconnect your refrigerator mains supply by either turning off the relevant fuse or unplugging your appliance.
- Do not pull by the cable when pulling off the plug.
- Place the beverage with higher proofs tightly closed and vertically.
- Never store spray cans containing flammable and explosive substances in the refrigerator.
- Do not use mechanical devices or other means to accelerate the defrosting process, other than those recommended by the manufacturer.

- This appliance is not intended for use by persons (including children) with reduced physical, sensory or mental capabilities, or lack of experience and knowledge, unless they have been given supervision or instruction concerning use of the appliance by a person responsible for their safety. Children should be supervised to ensure that they do not play with the appliance.
- Do not operate a damaged refrigerator. Consult with the service agent if you have any concerns.
- Electrical safety of your refrigerator shall be guaranteed only if the earth system in your house complies with standards.
- Exposing the product to rain, snow, sun and wind is dangerous with respect to electrical safety.
- Contact authorized service when there is a power cable damage to avoid danger.
- Never plug the refrigerator into the wall outlet during installation. Otherwise, risk of death or serious injury may arise.
- This refrigerator is intended for only storing food items. It must not be used for any other purpose.
- Label of technical specifications is located on the left wall inside the refrigerator.
- Never connect your refrigerator to electricity-saving systems; they may damage the refrigerator.
- If there is a blue light on the refrigerator, do not look at the blue light with optical tools.
- For manually controlled refrigerator, wait for at least 5 minutes to start the refrigerator after power failure.
- This operation manual should be handed in to the new owner of the product when it is given to others.
- Avoid causing damage on power cable when transporting the refrigerator. Bending cable may cause fire. Never place heavy objects on power cable.



- Do not touch the plug with wet hands when plugging the product.
- Do not plug the refrigerator if the wall outlet is loose.
- Water should not be sprayed on inner or outer parts of the product for safety purposes.
- Do not spray substances containing inflammable gases such as propane gas near the refrigerator to avoid fire and explosion risk.
- Never place containers filled with water on top of the refrigerator; in the event of spillages, this may cause electric shock or fire.
- Do not overload the refrigerator with food. If overloaded, the food items may fall down and hurt you and damage refrigerator when you open the door.
- Never place objects on top of the refrigerator; otherwise, these objects may fall down when you open or close the refrigerator door.
- As they require a precise temperature, vaccines, heat-sensitive medicine and scientific materials and etc. should not be kept in the refrigerator.
- If not to be used for a long time, refrigerator should be unplugged. A possible problem in power cable may cause fire.
- The plug's tip should be cleaned regularly with a dry cloth; otherwise, it may cause fire.
- Refrigerator may move if adjustable legs are not properly secured on the floor. Properly securing adjustable legs on the floor can prevent the refrigerator to move.
- When carrying the refrigerator, do not hold it from door handle. Otherwise, it may be snapped.

- When you have to place your product next to another refrigerator or freezer, the distance between devices should be at least 8 cm. Otherwise, adjacent side walls may be humidified.
- This appliance can be used by children aged from 8 years and above and persons with reduced physical, sensory or mental capabilities or lack of experience and knowledge if they have been given supervision or instruction concerning use of the appliance in a safe way and understand the hazards involved. Children shall not play with the appliance. Cleaning and user maintenance shall not be made by children without supervision.

### **For products with a water dispenser**

Pressure of water mains should be minimum 1 bar. Pressure of water mains should be maximum 8 bars.

- Use only potable water.

### **Child safety**

- If the door has a lock, the key should be kept away from reach of children.
- Children must be supervised to prevent them from tampering with the product.

### **HCA warning**

#### **If your product's cooling system contains R600a:**

This gas is flammable. Therefore, pay attention to not damaging the cooling system and piping during usage and transportation. In the event of damage, keep your product away from potential fire sources that can cause the product catch a fire and ventilate the room in which the unit is placed.

#### **Ignore this warning if your product's cooling system contains R134a.**

Type of gas used in the product is stated in the type label which is on the left wall inside the refrigerator.


Never throw the product in fire for disposal.

### **Things to be done for energy saving**

- Do not leave the doors of your refrigerator open for a long time.
- Do not put hot food or drinks in your refrigerator.
- Do not overload your refrigerator so that the air circulation inside of it is not prevented.
- Do not install your refrigerator under direct sunlight or near heat emitting appliances such as ovens, dishwashers or radiators. Keep your refrigerator at least 30 cm away from heat emitting sources and at least 5 cm from electrical ovens.
- Pay attention to keep your food in closed containers.
- For products with a freezer compartment; You can store maximum amount of food items in the freezer when you remove the shelf or drawer of the freezer. Energy consumption value stated for your refrigerator has been determined by removing freezer shelf or drawer and under maximum load. There is no harm to use a shelf or drawer according to the shapes and size of food to be frozen.
- Thawing frozen food in fridge compartment will both provide energy saving and preserve the food quality.



## 3 Installation

 In case the information which are given in the user manual are not taken into account, manufacturer will not assume any liability for this.

### Points to be paid attention to when the relocation of the refrigerator

1. Your refrigerator should be unplugged. Before transportation of your refrigerator it should be emptied and cleaned.
2. Before it is re-packaged, shelves, accessories, crisper, etc. inside your refrigerator should be fixed with adhesive tape and secured against impacts. Package should be bound with a thick tape or sound ropes and the transportation rules on the package should be strictly observed.
3. Original packaging and foam materials should be kept for future transportations or moving.

### Before you start the refrigerator

Check the following before you start to use your refrigerator:

1. Is the interior of the refrigerator dry and can the air circulate freely in the rear of it?
2. Clean the interior of the refrigerator as recommended in the "Maintenance and cleaning" section.

3. Connect the plug of the refrigerator to the wall socket. When the fridge door is opened, fridge internal lamp will turn on.
4. When the compressor starts to operate, a sound will be heard. The liquid and gases sealed within the refrigeration system may also give rise to noise, even if the compressor is not running and this is quite normal.
5. Front edges of the refrigerator may feel warm. This is normal. These areas are designed to be warm to avoid condensation.


### Electrical connection


Connect your product to a grounded socket which is being protected by a fuse with the appropriate capacity.

Important:

The connection must be in compliance with national regulations.

- The power plug must be easily accessible after installation.
- Electrical safety of your refrigerator shall be guaranteed only if the earth system in your house complies with standards.
- The voltage stated on the label located at left inner side of your product should be equal to your network voltage.
- **Extension cables and multi plugs must not be used for connection.**

 A damaged power cable must be replaced by a qualified electrician.

 Product must not be operated before it is repaired! There is the risk of electric shock!

## Disposing of the packaging

The packing materials may be dangerous for children. Keep the packing materials out of the reach of children or dispose of them by classifying them in accordance with the waste instructions stated by your local authorities. Do not throw away with regular house waste, throw away on packaging pick up spots designated by the local authorities. The packing of your refrigerator is produced from recyclable materials.

## Disposing of your old refrigerator

Dispose of your old refrigerator without giving any harm to the environment.

- You may consult your authorized dealer or waste collection center of your municipality about the disposal of your refrigerator.

Before disposing of your refrigerator, cut out the electric plug and, if there are any locks on the door, make them inoperable in order to protect children against any danger.

## Placing and Installation

⚠ If the entrance door of the room where the refrigerator will be installed is not wide enough for the refrigerator to pass through, then call the authorized service to have them remove the doors of your refrigerator and pass it sideways through the door.

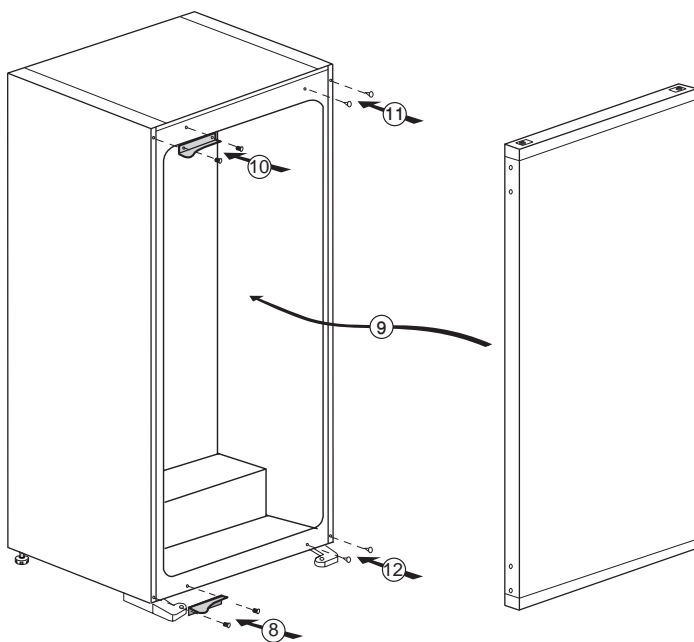
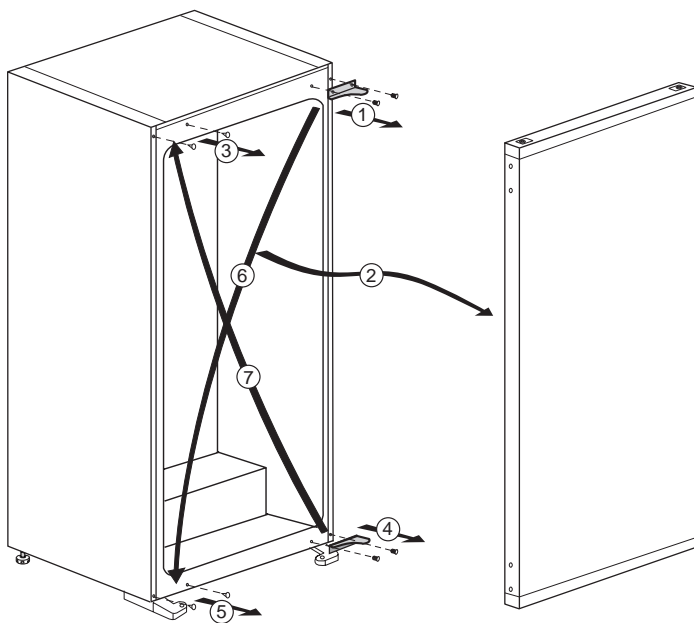
1. Install your refrigerator to a place that allows ease of use.
2. Keep your refrigerator away from heat sources, humid places and direct sunlight.
3. There must be appropriate air ventilation around your refrigerator in order to achieve an efficient operation. If the refrigerator is to be placed in a recess in the wall, there must be at least 5 cm distance with the ceiling and at least 5 cm with the wall. Do not place your product on the materials such as rug or carpet.
4. Place your refrigerator on an even floor surface to prevent jolts.
5. Do not keep your refrigerator in ambient temperatures under 10°C.

## Replacing the interior lamp

To change the Bulb/LED used for illumination of your refrigerator, call your Authorised Service. The lamp(s) used in this appliance is not suitable for household room illumination. The intended purpose of this lamp is to assist the user to place foodstuffs in the refrigerator/freezer in a safe and comfortable way. The lamps used in this appliance have to withstand extreme physical conditions such as temperatures below -20°C.

## Reversing the doors

Proceed in numerical order.



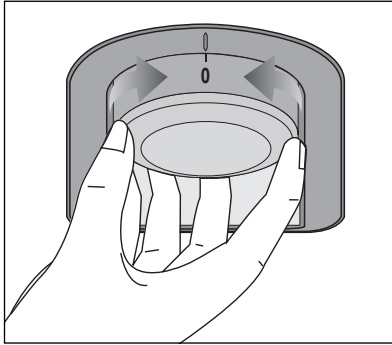
## 4 Preparation

---

- Your refrigerator should be installed at least 30 cm away from heat sources such as hobs, ovens, central heater and stoves and at least 5 cm away from electrical ovens and should not be located under direct sunlight.
- The ambient temperature of the room where you install your refrigerator should at least be 10°C. Operating your refrigerator under cooler conditions is not recommended with regard to its efficiency.
- Please make sure that the interior of your refrigerator is cleaned thoroughly.
- If two refrigerator are to be installed side by side, there should be at least 2 cm distance between them.
- When you operate your refrigerator for the first time, please observe the following instructions during the initial six hours.
- The door should not be opened frequently.
- It must be operated empty without any food in it.
- Do not unplug your refrigerator. If a power failure occurs out of your control, please see the warnings in the “Troubleshooting” section.
- Original packaging and foam materials should be kept for future transportations or moving.

## 5 Using your refrigerator

### Setting the operating temperature



The operating temperature is regulated by the temperature control.



**1 = Lowest cooling setting (Warmest setting)**

**5 = Highest cooling setting (Coldest setting)**

(Or)

**Min. = Lowest cooling setting (Warmest setting)**

**Max. = Highest cooling setting (Coldest setting)**

The average temperature inside the fridge should be around +5°C.

Please choose the setting according to the desired temperature. Please note that there will be different temperatures in the cooling area. The coldest region is immediately above the vegetable compartment.

The interior temperature also depends on ambient temperature, the frequency with which the door is opened and the amount of foods kept inside.

Frequently opening the door causes the interior temperature to rise. For this reason, it is recommended to close the door again as soon as possible after use.

### Using interior compartments

**Movable shelves:** Distance between the shelves can be adjusted when necessary.

**Vegetable drawer:** Vegetables and fruits can be stored in this compartment for long periods without decaying.

**Bottle shelf:** Bottles, jars and tins can be placed in these shelves.

### Cooling Food storage

The fridge compartment is for the short-term storage of fresh food and drinks.

Store milk products in the intended compartment in the refrigerator.

Bottles can be stored in the bottle holder or in the bottle shelf of the door.

Raw meat is best kept in a polyethylene bag in the compartment at the very bottom of the refrigerator.

Allow hot foods and beverages to cool to room temperature prior to placing them in the refrigerator.

- Attention

Store concentrated alcohol only standing upright and tightly closed.

- Attention

Do not store explosive substances or containers with flammable propellant gases (canned cream, spray cans etc.) in the device. There is a danger of explosion.

## Defrost

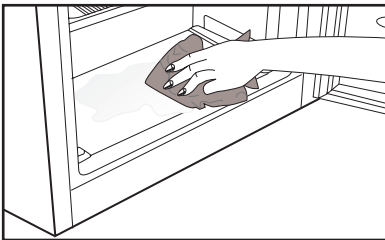
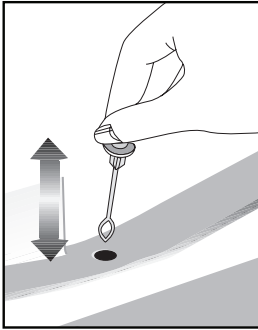
The fridge compartment defrosts automatically.

The thawing water flows through the drain channel into a collection container at the rear of the device.

During defrosting, water droplets form at the back of the fridge due to the evaporator.

If not all of the drops run down, they may freeze again after defrosting remove them with a cloth soaked in warm water, but never with a hard or sharp object.

Check the flow of the thawed water from time to time. It may become plugged occasionally.



## Stopping your product

If your thermostat is equipped with “0” position:

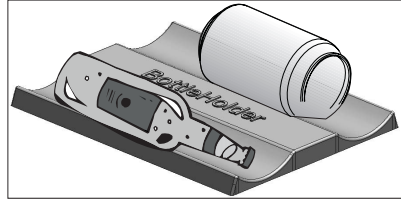
- Your product will stop operating when you turn the thermostat button to “0” (zero) position. Your product will not start unless to you turn the thermostat button to position “1” or one of the other positions again.

If your thermostat is equipped with “min” position:

- Unplug your product to stop it.

## Bottle holder

This accessory can be used for storing bottles or cans side by side.



## 6 Maintenance and cleaning

---

- ⚠ Never use gasoline, benzene or similar substances for cleaning purposes.
- ⚠ We recommend that you unplug the appliance before cleaning.
- ⚠ Never use any sharp abrasive instrument, soap, household cleaner, detergent and wax polish for cleaning.
- ℹ Use lukewarm water to clean the cabinet of your refrigerator and wipe it dry.
- ℹ Use a damp cloth wrung out in a solution of one teaspoon of bicarbonate of soda to one pint of water to clean the interior and wipe it dry.
- ⚠ Make sure that no water enters the lamp housing and other electrical items.
- ⚠ If your refrigerator is not going to be used for a long period of time, unplug the power cable, remove all food, clean it and leave the door ajar.
- ℹ Check door seals regularly to ensure they are clean and free from food particles.
- ⚠ To remove door racks, remove all the contents and then simply push the door rack upwards from the base.
- ⚠ Never use cleaning agents or water that contain chlorine to clean the outer surfaces and chromium coated parts of the product. Chlorine causes corrosion on such metal surfaces.

### Protection of plastic surfaces

- ℹ Do not put the liquid oils or oil-cooked meals in your refrigerator in unsealed containers as they damage the plastic surfaces of your refrigerator. In case of spilling or smearing oil on the plastic surfaces, clean and rinse the relevant part of the surface at once with warm water.

## 7 Troubleshooting

Please review this list before calling the service. It will save your time and money. This list includes frequent complaints that are not arising from defective workmanship or material usage. Some of the features described here may not exist in your product.

### The refrigerator does not operate.

- The plug is not inserted into the socket correctly. >>>Insert the plug into the socket securely.
- The fuse of the socket which your refrigerator is connected to or the main fuse have blown out. >>>Check the fuse.

### Condensation on the side wall of the fridge compartment (MULTIZONE, COOL CONTROL and FLEXI ZONE).

- Ambient is very cold. >>>Do not install the refrigerator in places where the temperature falls below 10°C.
- Door has been opened frequently. >>>Do not open and close the door of refrigerator frequently.
- Ambient is very humid. >>>Do not install your refrigerator into highly humid places.
- Food containing liquid is stored in open containers. >>>Do not store food with liquid content in open containers.
- Door of the refrigerator is left ajar. >>>Close the door of the refrigerator.
- Thermostat is set to a very cold level. >>>Set the thermostat to a suitable level.

### Compressor is not running.

- Protective thermic of the compressor will blow out during sudden power failures or plug-out plug-ins as the refrigerant pressure in the cooling system of the refrigerator has not been balanced yet. The refrigerator will start running approximately after 6 minutes. Please call the service if the refrigerator does not startup at the end of this period.
- The fridge is in defrost cycle. >>>This is normal for a full-automatically defrosting refrigerator Defrosting cycle occurs periodically.
- The refrigerator is not plugged into the socket. >>>Make sure that the plug is fit in o the socket.
- Temperature settings are not made correctly. >>>Select the suitable temperature value.
- There is a power outage. >>>Refrigerator returns to normal operation when the power restores.



The operation noise increases when the refrigerator is running.
<ul style="list-style-type: none"> <li>The operating performance of the refrigerator may change due to the changes in the ambient temperature. It is normal and not a fault.</li> </ul>
The refrigerator is running frequently or for a long time.
<ul style="list-style-type: none"> <li>New product may be wider than the previous one. Larger refrigerator operate for a longer period of time.</li> <li>The room temperature may be high. &gt;&gt;&gt;It is normal that the product operates for longer periods in hot ambient.</li> <li>The refrigerator might be plugged in recently or might be loaded with food. &gt;&gt;&gt;When the refrigerator is plugged in or loaded with food recently, it will take longer for it to attain the set temperature. This is normal.</li> <li>Large amounts of hot food might be put in the refrigerator recently. &gt;&gt;&gt;Do not put hot food into the refrigerator.</li> <li>Doors might be opened frequently or left ajar for a long time. &gt;&gt;&gt;The warm air that has entered into the refrigerator causes the refrigerator to run for longer periods. Do not open the doors frequently.</li> <li>Freezer or fridge compartment door might be left ajar. &gt;&gt;&gt;Check if the doors are closed completely.</li> <li>The refrigerator is adjusted to a very low temperature. &gt;&gt;&gt;Adjust the refrigerator temperature to a warmer degree and wait until the temperature is achieved.</li> <li>Door seal of the fridge or freezer may be soiled, worn out, broken or not properly seated. &gt;&gt;&gt;Clean or replace the seal. Damaged/broken seal causes the refrigerator to run for a longer period of time in order to maintain the current temperature.</li> </ul>
Freezer temperature is very low while the fridge temperature is sufficient.
<ul style="list-style-type: none"> <li>The freezer temperature is adjusted to a very low value. &gt;&gt;&gt;Adjust the freezer temperature to a warmer degree and check.</li> </ul>
Fridge temperature is very low while the freezer temperature is sufficient.
<ul style="list-style-type: none"> <li>The fridge temperature is adjusted to a very low value. &gt;&gt;&gt;Adjust the fridge temperature to a warmer degree and check.</li> </ul>
Food kept in the fridge compartment drawers is frozen.
<ul style="list-style-type: none"> <li>The fridge temperature is adjusted to a very high value. &gt;&gt;&gt;Adjust the fridge temperature to a lower value and check.</li> </ul>

Temperature in the fridge or freezer is very high.
<ul style="list-style-type: none"> <li>• The fridge temperature is adjusted to a very high value. &gt;&gt;&gt;Fridge compartment temperature setting has an effect on the temperature of the freezer. Change the temperatures of the fridge or freezer and wait until the relevant compartments attain a sufficient temperature.</li> <li>• Doors are opened frequently or left ajar for a long time. &gt;&gt;&gt;Do not open the doors frequently.</li> <li>• Door is ajar. &gt;&gt;&gt;Close the door completely.</li> <li>• The refrigerator is plugged in or loaded with food recently. &gt;&gt;&gt;This is normal. When the refrigerator is plugged in or loaded with food recently, it will take longer for it to attain the set temperature.</li> <li>• Large amounts of hot food might be put in the refrigerator recently. &gt;&gt;&gt;Do not put hot food into the refrigerator.</li> </ul>
Vibrations or noise.
<ul style="list-style-type: none"> <li>• The floor is not level or stable. &gt;&gt;&gt; If the refrigerator rocks when moved slowly, balance it by adjusting its feet. Also make sure that the floor is strong enough to carry the refrigerator, and level.</li> <li>• The items put onto the refrigerator may cause noise. &gt;&gt;&gt;Remove the items on top of the refrigerator.</li> </ul>
There are noises coming from the refrigerator like liquid flowing, spraying, etc.
<ul style="list-style-type: none"> <li>• Liquid and gas flows occur in accordance with the operating principles of your refrigerator. It is normal and not a fault.</li> </ul>
Whistle comes from the refrigerator.
<ul style="list-style-type: none"> <li>• Fans are used in order to cool the refrigerator It is normal and not a fault.</li> </ul>
Condensation on the inner walls of refrigerator.
<ul style="list-style-type: none"> <li>• Hot and humid weather increases icing and condensation. It is normal and not a fault.</li> <li>• Doors are opened frequently or left ajar for a long time. &gt;&gt;&gt;Do not open the doors frequently. Close them if they are open.</li> <li>• Door is ajar. &gt;&gt;&gt;Close the door completely.</li> </ul>
Humidity occurs on the outside of the refrigerator or between the doors.
<ul style="list-style-type: none"> <li>• There might be humidity in the air; this is quite normal in humid weather. When the humidity is less, condensation will disappear.</li> </ul>
Bad odour inside the refrigerator.
<ul style="list-style-type: none"> <li>• No regular cleaning is performed. &gt;&gt;&gt;Clean the inside of the refrigerator regularly with a sponge, lukewarm water or carbonate dissolved in water.</li> <li>• Some containers or package materials may cause the smell. &gt;&gt;&gt;Use a different container or different brand packaging material.</li> <li>• Food is put into the refrigerator in uncovered containers. &gt;&gt;&gt;Keep the food in closed containers. Microorganisms spreading out from uncovered containers can cause unpleasant odours.</li> <li>• Remove the foods that have expired best before dates and spoiled from the refrigerator.</li> </ul>
The door is not closing.
<ul style="list-style-type: none"> <li>• Food packages are preventing the door from closing. &gt;&gt;&gt;Replace the packages that are obstructing the door.</li> <li>• The refrigerator is not completely even on the floor. &gt;&gt;&gt;Adjust the feet to balance the refrigerator.</li> <li>• The floor is not level or strong. &gt;&gt;&gt;Make sure that the floor is level and capable to carry the refrigerator.</li> </ul>
Crispers are stuck.
<ul style="list-style-type: none"> <li>• The food is touching the ceiling of the drawer. &gt;&gt;&gt;Rearrange food in the drawer.</li> </ul>

## Bitte lesen Sie zuerst diese Anleitung!

Lieber Kunde,

Wir sind sicher, dass Ihnen dieses Produkt, das in modernsten Fertigungsstätten hergestellt und den strengsten Qualitätsprüfungen unterzogen wurde, lange Zeit gute Dienste leisten wird.




Wir empfehlen Ihnen, vor Inbetriebnahme des Gerätes das gesamte Handbuch durchzulesen und es anschließend aufzubewahren.

### Diese Anleitung...

- hilft Ihnen, Ihr Gerät schnell und sicher zu bedienen.
- Lesen Sie die Anleitung, bevor Sie Ihr Gerät aufstellen und bedienen.
- Halten Sie sich an die Anweisungen, beachten Sie insbesondere die Sicherheitshinweise.
- Bewahren Sie die Anleitung an einem leicht zugänglichen Ort auf, damit Sie jederzeit darin nachschlagen können.
- Lesen Sie auch die weiteren Dokumente, die mit Ihrem Produkt geliefert wurden.
- Bitte beachten Sie, dass diese Anleitung eventuell auch für andere Geräte eingesetzt werden kann.

### Symbole und ihre Bedeutung

In dieser Anleitung finden Sie die folgenden Symbole:

-  Wichtige Informationen oder nützliche Tipps.
-  Warnung vor Verletzungen oder Sachschäden.
-  Warnung vor elektrischem Strom.

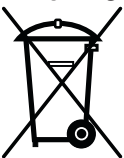


### **WARNUNG!**

Ihr Gerät verwendet ein umweltverträgliches Kältemittel, R600a (nur unter bestimmten Umständen brennbar). Um einen einwandfreien Betrieb Ihres Gerätes sicherzustellen, beachten Sie bitte folgende Vorschriften:

- Die Luftzirkulation um das Gerät darf nicht behindert sein.
- Verwenden Sie außer der vom Hersteller empfohlenen, keine mechanischen Hilfsmittel, um den Abtauprozess zu beschleunigen.
- Der Kältemittelkreislauf darf nicht beschädigt werden.
- Verwenden Sie im Lebensmittelaufbewahrungsbereich Ihres Gerätes keine elektrischen Geräte, es sei denn, sie sind vom Hersteller empfohlen.

### Recycling



Dieses Produkt ist mit dem selektiven Entsorgungssymbol für elektrische und elektronische Altgeräte (WEEE) gekennzeichnet.

Das bedeutet, dass dieses Produkt gemäß der europäischen Richtlinie 2002/96/EG gehandhabt werden muss, um mit nur minimalen umweltspezifischen Auswirkungen recycelt oder zerlegt werden zu können. Weitere Informationen erhalten Sie von Ihren regionalen Behörden.

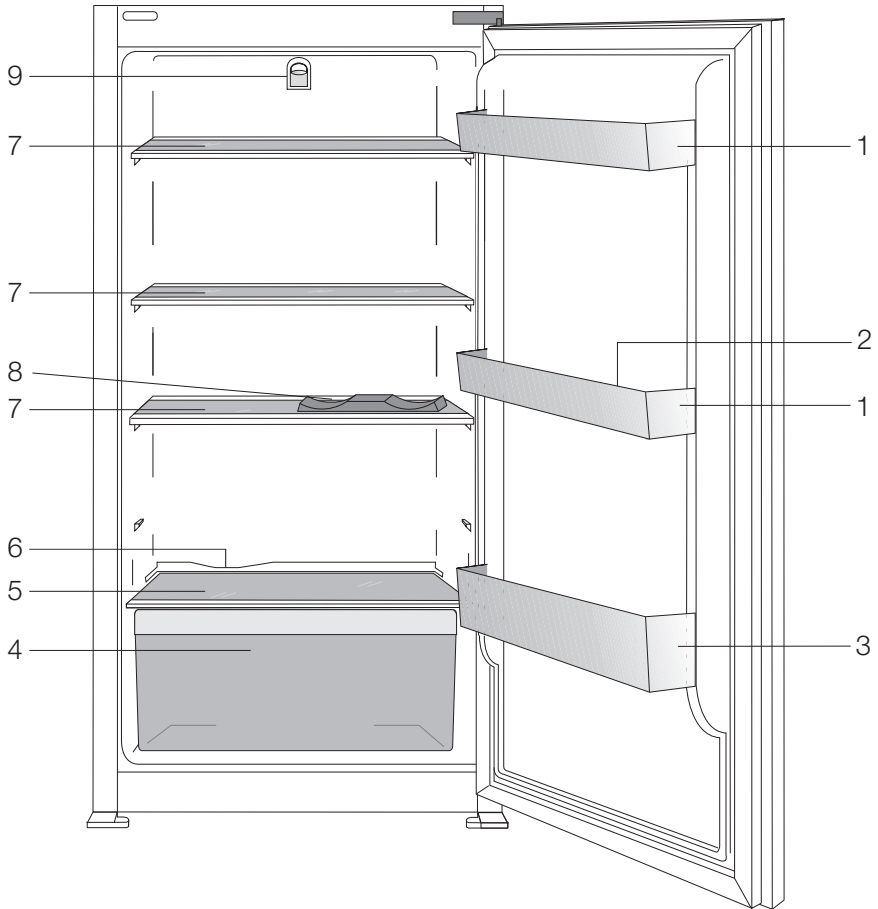
Elektronikprodukte, die nicht durch den selektiven Entsorgungsvorgang erfasst werden, stellen durch das Vorhandensein potenziell gefährlicher Substanzen umwelt- und gesundheitsrelevante Risiken dar.

# INHALT

---

<b>1 Ihr Kühlschrank</b>	<b>3</b>	<b>4 Vorbereitung</b>	<b>10</b>
<b>2 Wichtige Sicherheitshinweise</b>	<b>4</b>	<b>5 Nutzung des Kühlschranks</b>	<b>11</b>
Bestimmungsgemäßer Einsatz.....	4	Einstellen der Betriebstemperatur ....	11
Allgemeine Hinweise zu Ihrer Sicherheit .....	4	Innenfächer verwenden.....	11
Bei Geräten mit Wasserspender: .....	6	Kühlen.....	11
Kinder – Sicherheit .....	6	Abtauen.....	12
HCA-Warnung.....	6	Gerät stoppen .....	12
Tipps zum Energiesparen .....	6	Flaschenhalter .....	12
<b>3 Installation</b>	<b>7</b>	<b>6 Wartung und Reinigung</b>	<b>13</b>
Was Sie bei einem weiteren Transport Ihres Kühlschranks beachten müssen...7		Schutz der Kunststoffflächen .....	13
Bevor Sie Ihren Kühlschrank einschalten .....	7	<b>7 Empfehlungen zur Problemlösung</b>	<b>14</b>
Elektrischer Anschluss .....	7		
Verpackungsmaterialien entsorgen ....	8		
Altgeräte entsorgen .....	8		
Aufstellung und Installation .....	8		
Austausch der Innenbeleuchtung .....	8		
Türanschlag umkehren.....	9		

# 1 Ihr Kühlschrank



- |                            |  |
|----------------------------|--|
| 1. Verstellbare Türablagen | 6. Tauwasser Sammelkanal - abflussrohr |
| 2. Eierbehälter            | 7. Bewegliche Ablagen                  |
| 3. Flaschenablagen         | 8. Flaschenhalter                      |
| 4. Gemüsefach              | 9. Innenbeleuchtung und Thermostat     |
| 5. Gemüsefachabdeckung     |  |

**!** Abbildungen und Angaben in dieser Anleitung sind schematisch und können etwas von Ihrem Produkt abweichen. Falls Teile nicht zum Lieferumfang des erworbenen Gerätes zählen, gelten sie für andere Modelle.

## 2 Wichtige Sicherheitshinweise

Bitte lesen Sie die folgenden Hinweise aufmerksam durch. Bei Nichtbeachtung dieser Angaben kann es zu Verletzungen und Sachschäden kommen. In diesem Fall erlöschen auch sämtliche Garantie- und sonstigen Ansprüche.

Originalersatzteile stehen für einen Zeitraum von 10 Jahren ab Kaufdatum zur Verfügung.

### Bestimmungsgemäßer Einsatz

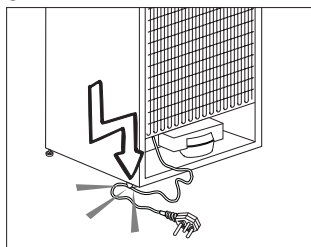
Dieses Produkt dient dem Einsatz in

- Innenräumen und geschlossenen Bereichen, wie z. B. Haushalten;
- Das Gerät sollte nicht im Freien benutzt werden.

### Allgemeine Hinweise zu Ihrer Sicherheit

- Wenn Sie das Gerät entsorgen möchten, wenden Sie sich am besten an den autorisierten Kundendienst. Hier erhalten Sie notwendige Informationen und erfahren, welche Stellen für die Entsorgung zuständig sind.
- Bei Problemen und Fragen zum Gerät wenden Sie sich grundsätzlich an den autorisierten Kundendienst. Ziehen Sie keine Dritten zu Rate, versuchen Sie nichts in Eigenregie, ohne den autorisierten Kundendienst davon in Kenntnis zu setzen.
- Bei Geräten mit Tiefkühlbereich: Der Verzehr von Speiseeis und Eiswürfeln unmittelbar nach der Entnahme aus dem Tiefkühlbereich ist nicht ratsam. (Dies kann zu Erfrierungen führen.)
- Bei Geräten mit Tiefkühlbereich: Bewahren Sie Getränke in Flaschen sowie Dosen niemals im Tiefkühlbereich auf. Diese platzen.
- Berühren Sie gefrorene Lebensmittel nicht mit der Hand; sie können festfrieren.
- Trennen Sie Ihren Kühlschrank vor dem Reinigen oder Abtauen vom Stromnetz.
- Verwenden Sie niemals Dampf- oder Sprühreiniger zum Reinigen und Abtauen Ihres Kühlschranks. Die Dämpfe oder Nebel können in Kontakt mit stromführenden Teilen geraten und Kurzschlüsse oder Stromschläge auslösen.
- Missbrauchen Sie niemals Teile Ihres Kühlschranks (z. B. Tür) als Befestigungen oder Kletterhilfen.
- Nutzen Sie keine elektrischen Geräte innerhalb des Kühlschranks.
- Achten Sie darauf, den Kühlkreislauf keinesfalls mit Bohr- oder Schneidwerkzeugen zu beschädigen. Das Kühlmittel kann herausspritzen, wenn die Gaskanäle des Verdunsters, Rohr- und Schlauchleitungen oder Oberflächenversiegelungen beschädigt werden. Dies kann zu Hautreizungen und Augenverletzungen führen.
- Decken Sie keinerlei Belüftungsöffnungen des Kühlschranks ab.
- Elektrische Geräte dürfen nur von autorisierten Fachkräften repariert werden. Reparaturen durch weniger kompetente Personen können erhebliche Gefährdungen des Anwenders verursachen.
- Sollten Fehler oder Probleme während der Wartung oder Reparaturarbeiten auftreten, so trennen Sie den Kühlschrank von der Stromversorgung, indem Sie die entsprechende Sicherung abschalten oder den Netzstecker ziehen.
- Ziehen Sie niemals am Netzkabel – ziehen Sie direkt am Stecker.
- Lagern Sie hochprozentige alkoholische Getränke gut verschlossen und aufrecht.
- Bewahren Sie niemals Sprühdosen mit brennbaren und explosiven Substanzen im Kühlschrank auf.

- Nutzen Sie keine mechanischen oder anderen Hilfsmittel, um das Gerät abzutauen – es sei denn, solche Hilfsmittel werden ausdrücklich vom Hersteller empfohlen.
- Dieses Produkt darf nicht von Personen (einschließlich Kindern) mit eingeschränkten physischen, sensorischen oder geistigen Fähigkeiten bedient werden, sofern sie nicht durch eine Person, die für ihre Sicherheit verantwortlich ist, in der Bedienung des Produktes angeleitet werden.
- Nehmen Sie einen beschädigten Kühlschrank nicht in Betrieb. Wenden Sie sich bei jeglichen Zweifeln an einen Kundendienstmitarbeiter.
- Die elektrische Sicherheit des Gerätes ist nur dann gewährleistet, wenn das hausinterne Erdungssystem den zutreffenden Normen entspricht.
- Setzen Sie das Gerät keinem Regen, Schnee, direktem Sonnenlicht oder Wind aus; dies kann die elektrische Sicherheit gefährden.
- Wenden Sie sich zur Vermeidung von Gefahren an den autorisierten Kundendienst, falls das Netzkabel beschädigt ist.
- Stecken Sie während der Installation niemals den Netzstecker ein. Andernfalls kann es zu schweren bis tödlichen Verletzungen kommen.
- Dieser Kühlschrank dient nur der Aufbewahrung von Lebensmitteln. Für andere Zwecke sollte er nicht verwendet werden.
- Das Etikett mit den technischen Daten befindet sich an der linken Innenwand des Kühlschranks.
- Schließen Sie Ihren Kühlschrank niemals an energiesparende Systeme an; dies kann den Kühlschrank beschädigen.
- Falls sich ein blaues Licht am Kühlschrank befindet, blicken Sie nicht längere Zeit mit bloßem Auge oder optischen Werkzeugen hinein.
- Bei manuell gesteuerten Kühlschränken warten Sie mindestens 5 Minuten, bevor Sie den Kühlschrank nach einem Stromausfall wieder einschalten.
- Falls Sie das Gerät an einen anderen Besitzer weitergeben, vergessen Sie nicht, die Bedienungsanleitung ebenfalls auszuhändigen.
- Achten Sie darauf, dass das Netzkabel beim Transport des Kühlschranks nicht beschädigt wird. Übermäßiges Biegen des Kabels birgt Brandgefahr. Platzieren Sie keine schweren Gegenstände auf dem Netzkabel.



- Berühren Sie den Netzstecker niemals mit feuchten oder gar nassen Händen.
- Schließen Sie den Kühlschrank nicht an lose Steckdosen an.
- Sprühen Sie aus Sicherheitsgründen niemals Wasser auf die Innen- und Außenflächen des Gerätes.
- Sprühen Sie keine Substanzen mit brennbaren Gasen, wie z. B. Propangas, in die Nähe des Kühlschranks; andernfalls bestehen Brand- und Explosionsgefahr.
- Stellen Sie keine mit Wasser gefüllten Gegenstände auf den Kühlschrank; dies birgt Brand- und Stromschlaggefahr.
- Überladen Sie das Gerät nicht mit Lebensmitteln. Wenn das Gerät überladen ist, können beim Öffnen der Kühlschranktür Lebensmittel herausfallen und Verletzungen verursachen.
- Stellen Sie keinesfalls Gegenstände auf den Kühlschrank; sie könnten beim Öffnen oder Schließen der Kühlschranktür herunterfallen.

- Materialien wie beispielsweise Impfstoffe, wärmeempfindliche Arznei, wissenschaftliche Proben usw. sollten nicht im Kühlschrank aufbewahrt werden, da sie bei exakt festgelegten Temperaturen gelagert werden müssen.
- Trennen Sie den Kühlschrank vom Stromnetz, wenn er längere Zeit nicht benutzt wird. Ein mögliches Problem im Netzkabel kann einen Brand auslösen.
- Die Steckerkontakte sollten regelmäßig mit einem trockenen Tuch gereinigt werden; andernfalls besteht Brandgefahr.
- Wenn die höhenverstellbaren Füße nicht sicher auf dem Boden stehen, kann sich der Kühlschrank bewegen. Die angemessene Sicherung der höhenverstellbaren Füße am Boden kann eine Bewegung des Kühlschranks verhindern.
- Halten Sie den Kühlschrank beim Tragen nicht am Türgriff. Andernfalls könnte er abbrechen.
- Wenn Sie Ihr Produkt neben einem anderen Kühl- oder Gefrierschrank aufstellen möchten, sollte der Abstand zwischen beiden Geräten mindestens 8 cm betragen. Andernfalls können die benachbarten Seitenwände feucht werden.

## Bei Geräten mit Wasserspender

Der Wasserdruck sollte zwischen 1 und 8 bar liegen.

- Nur Trinkwasser verwenden.

## Kinder – Sicherheit

- Bei abschließbaren Türen bewahren Sie den Schlüssel außerhalb der Reichweite von Kindern auf.
- Achten Sie darauf, dass Kinder nicht mit dem Produkt spielen.

## HCA-Warnung

### Falls das Kühlsystem Ihres Produktes R600a enthält:

Dieses Gas ist leicht entflammbar. Achten Sie also darauf, Kühlkreislauf und Leitungen während Betrieb und Transport nicht zu beschädigen.

Bei Beschädigungen halten Sie das Produkt von potenziellen Zündquellen (z. B. offenen Flammen) fern und sorgen für eine gute Belüftung des Raumes, in dem das Gerät aufgestellt wurde.

### **Ignorieren Sie diese Warnung, falls das Kühlsystem Ihres Produktes R134a enthält.**

Die Art des im Gerät eingesetzten Gases wird auf dem Typenschild an der linken Innenwand des Kühlschranks angegeben.

Entsorgen Sie das Produkt keinesfalls durch Verbrennen.

## Tipps zum Energiesparen

- Halten Sie die Kühlschranktüren nur möglichst kurz geöffnet.
- Geben Sie keine warmen Speisen oder Getränke in den Kühlschrank.
- Überladen Sie den Kühlschrank nicht; die Luft muss frei zirkulieren können.
- Stellen Sie den Kühlschrank nicht im direkten Sonnenlicht oder in der Nähe von Wärmequellen wie Öfen, Spülmaschinen oder Heizkörpern auf. Halten Sie den Kühlschrank mindestens 30 cm von Wärmequellen und mindestens 5 cm von elektrischen Öfen entfernt.
- Achten Sie darauf, Ihre Lebensmittel in verschlossenen Behältern aufzubewahren.
- Bei Geräten mit Tiefkühlbereich: Sie können noch mehr Lebensmittel einlagern, wenn Sie die Ablage oder Schublade aus dem Tiefkühlbereich herausnehmen. Der für Ihren Kühlschrank angegebene Energieverbrauch wurde nach dem Entfernen der Ablage oder Schublade und bei maximaler Beladung bestimmt. Ansonsten ist es Ihnen freigestellt, die Ablage oder Schublade zu verwenden.
- Das Auftauen von gefrorenen Lebensmitteln im Kühlbereich ist energiesparend und bewahrt die Qualität der Lebensmittel.



### 3 Installation

⚠ Bitte beachten Sie, dass der Hersteller nicht haftet, wenn Sie sich nicht an die Informationen und Anweisungen der Bedienungsanleitung halten.

#### Was Sie bei einem weiteren Transport Ihres Kühlschranks beachten müssen

1. Der Kühlschrank muss vor dem Transport geleert und gesäubert werden.
2. Befestigen und sichern Sie Ablagen, Zubehör, Gemüsefach, etc. mit Klebeband, bevor Sie das Gerät neu verpacken.
3. Die Verpackung muss mit kräftigem Klebeband und stabilen Seilen gesichert, die auf der Verpackung aufgedruckten Transporthinweise müssen beachtet werden.

#### Vergessen Sie nicht...

Jeder wiederverwendete Artikel stellt eine unverzichtbare Hilfe für unsere Natur und unsere Ressourcen dar.

Wenn Sie zur Wiederverwertung von Verpackungsmaterialien beitragen möchten, können Sie sich bei Umweltschutzvereinigungen und Ihren Behörden vor Ort informieren.

#### Bevor Sie Ihren Kühlschrank einschalten

Bevor Sie Ihren Kühlschrank in Betrieb nehmen, beachten Sie bitte Folgendes:

1. Ist der Innenraum des Kühlschranks trocken, kann die Luft frei an der Rückseite zirkulieren?

2. Reinigen Sie das Innere des Kühlschranks wie im Abschnitt „Wartung und Reinigung“ beschrieben.
3. Stecken Sie den Netzstecker des Kühlschranks in eine Steckdose. Wenn die Kühlbereichtür geöffnet wird, schaltet sich das Licht im Inneren ein.
4. Sie hören ein Geräusch, wenn sich der Kompressor einschaltet. Die Flüssigkeiten und Gase im Kühlsystem können auch leichte Geräusche erzeugen, wenn der Kompressor nicht läuft. Dies ist völlig normal.
5. Die Vorderkanten des Kühlgerätes können sich warm anfühlen. Dies ist normal. Diese Bereiche wärmen sich etwas auf, damit sich kein Kondenswasser bildet.

#### Elektrischer Anschluss

Schließen Sie das Gerät an eine geerdete (Schuko-) Steckdose an. Diese Steckdose muss mit einer passenden Sicherung abgesichert werden.

Wichtig:

- Der Anschluss muss gemäß lokaler Vorschriften erfolgen.
- Der Netzstecker muss nach der Installation frei zugänglich bleiben.
- Die angegebene Spannung muss mit Ihrer Netzspannung übereinstimmen.
- Zum Anschluss dürfen keine Verlängerungskabel oder Mehrfachsteckdosen verwendet werden.

⚠ Ein beschädigtes Netzkabel muss unverzüglich durch einen qualifizierten Elektriker ausgetauscht werden.

⚠ Das Gerät darf vor Abschluss der Reparaturen nicht mehr betrieben werden! Es besteht Stromschlaggefahr!

## **Verpackungsmaterialien entsorgen**

Das Verpackungsmaterial kann eine Gefahr für Kinder darstellen. Halten Sie Verpackungsmaterialien von Kindern fern oder entsorgen Sie das Verpackungsmaterial gemäß den gültigen Entsorgungsbestimmungen. Entsorgen Sie Verpackungsmaterialien nicht mit dem regulären Hausmüll.

Die Verpackung Ihres Gerätes wurde aus recyclingfähigen Materialien hergestellt.

## **Altgeräte entsorgen**

Entsorgen Sie Altgeräte auf umweltfreundliche Weise.

- Bei Fragen zur richtigen Entsorgung wenden Sie sich bitte an Ihren Händler, an eine Sammelstelle oder an Ihre Stadtverwaltung.

Bevor Sie das Gerät entsorgen, schneiden Sie den Netzstecker ab und machen die Türverschlüsse (sofern vorhanden) unbrauchbar, damit Kinder nicht in Gefahr gebracht werden.

## **Aufstellung und Installation**

⚠ Falls die Tür des Raumes, in dem der Kühlschrank aufgestellt werden soll, nicht breit genug ist, wenden Sie sich an den autorisierten Kundendienst, lassen die Kühlschranktüren demontieren und befördern das Gerät seitlich durch die Tür.

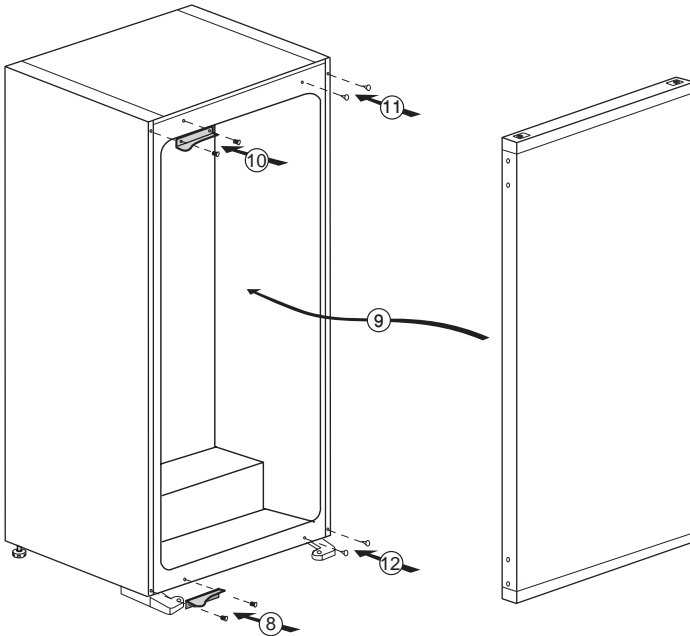
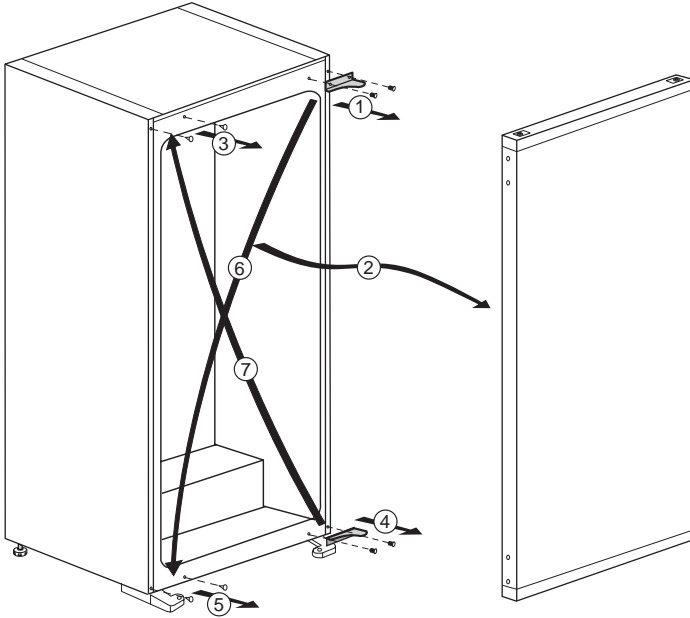
1. Stellen Sie Ihren Kühlschrank an einer gut erreichbaren Stelle auf.
2. Platzieren Sie den Kühlschrank nicht in der Nähe von Wärmequellen oder dort, wo er Feuchtigkeit oder direktem Sonnenlicht ausgesetzt ist.
3. Damit das Gerät richtig arbeiten kann, müssen Sie ausreichend Platz um das Gerät herum freilassen, damit eine ordentliche Belüftung gewährleistet ist. Wenn Sie den Kühlschrank in einer Nische aufstellen, müssen Sie einen Abstand von mindestens 5 cm zur Decke und 5 cm zu den Wänden einhalten. Wenn Sie das Gerät auf einem Teppich oder Teppichboden aufstellen, müssen Sie einen Abstand von mindestens 2,5 cm zum Boden einhalten.
4. Stellen Sie Ihren Kühlschrank auf einem ebenen Untergrund auf, damit er nicht wackelt.
5. Stellen Sie den Kühlschrank nicht an Stellen auf, an denen Temperaturen von weniger als 10°C herrschen.

## **Austausch der Innenbeleuchtung**

Die Innenbeleuchtung Ihres Kühlschranks sollte ausschließlich vom autorisierten Kundendienst ausgetauscht werden. Die Glühbirnen für dieses Haushaltsgerät sind für Beleuchtungszwecke nicht geeignet. Die beabsichtigte Aufgabe dieser Lampe ist es den Benutzer zu ermöglichen die Platzierung der Lebensmittel in den Kühlschrank / Eiskühltruhe sicher und bequem vorzunehmen. Die in diesem Gerät verwendeten Lampen müssen extremen physikalischen Bedingungen, wie z. B. Temperaturen von -20°C, standhalten.

# Türanschlag umkehren

Gehen Sie der Reihe nach vor.



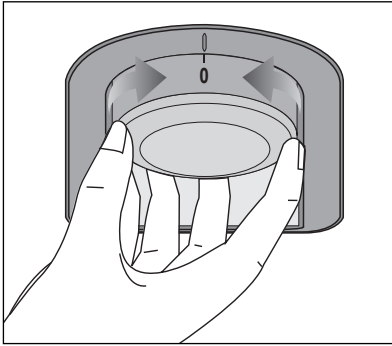
## 4 Vorbereitung

---

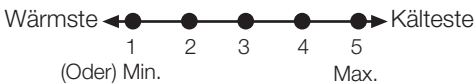
- i** Ihr Kühlschrank sollte mindestens 30 cm von Hitzequellen wie Kochstellen, Öfen, Heizungen, Herden und ähnlichen Einrichtungen aufgestellt werden. Halten Sie mindestens 5 cm Abstand zu Elektroöfen ein, vermeiden Sie die Aufstellung im direkten Sonnenlicht.
- i** Die Zimmertemperatur des Raumes, in dem der Kühlschrank aufgestellt wird, sollte mindestens 10°C betragen. Im Hinblick auf den Wirkungsgrad ist der Betrieb des Kühlschranks bei geringerer Umgebungstemperatur nicht ratsam.
- i** Sorgen Sie dafür, dass das Innere Ihres Kühlschranks gründlich gereinigt wird.
- i** Falls zwei Kühlschränke nebeneinander aufgestellt werden sollen, achten Sie darauf, dass sie mindestens 2 cm voneinander entfernt platziert werden.
- i** Wenn Sie den Kühlschrank zum ersten Mal in Betrieb nehmen, halten Sie sich bitte an die folgenden Anweisungen für die ersten sechs Betriebsstunden.
  - Die Kühlschranktür sollte nicht zu häufig geöffnet werden.
  - Der Kühlschrank muss zunächst vollständig leer arbeiten.
  - Ziehen Sie nicht den Netzstecker. Falls der Strom ausfallen sollte, beachten Sie die Warnhinweise im Abschnitt „Empfehlungen zur Problemlösung“.
- i** Originalverpackung und Schaumstoffmaterialien sollten zum zukünftigen Transport des Gerätes aufbewahrt werden.

## 5 Nutzung des Kühlschranks

### Einstellen der Betriebstemperatur



Die Betriebstemperatur wird über die Temperatursteuerung reguliert.



**1 = Schwächste Kühlung (wärmste Einstellung)**

**5 = Stärkste Kühlung (kälteste Einstellung)**

(Oder)

**Min. = Schwächste Kühlung**

(wärmste Einstellung)

**Max. = Stärkste Kühlung**

(kälteste Einstellung)

Die Durchschnittstemperatur im Inneren des Kühlschranks sollte bei etwa +5°C liegen.

Bitte wählen Sie die der gewünschten Temperatur entsprechende Einstellung.

Bitte beachten Sie, dass im Kühlbereich unterschiedliche Temperaturen herrschen.

Der kälteste Bereich befindet sich unmittelbar über dem Gemüsefach.

Die Innentemperatur hängt auch von der Umgebungstemperatur ab, außerdem davon, wie oft die Tür geöffnet wird und wie viel Lebensmittel im Inneren gelagert werden. Beim häufigen Öffnen der Tür steigt die Innentemperatur an.

Aus diesem Grund empfehlen wir, die Tür möglichst schnell wieder zu schließen.

### Innenfächer verwenden

Bewegliche Ablagen: Den Abstand dieser Ablagen können Sie nach Bedarf anpassen.

Gemüsefach: Dieses Fach eignet sich zur längeren Lagerung von Gemüse und Früchten.

Flaschenablage: Diese Ablagen nutzen Sie für Flaschen, Gläser und Dosen.

### Kühlen

#### Lagern von Lebensmitteln

Der Kühlbereich ist für die kurzfristige Lagerung von frischen Lebensmitteln und Getränken vorgesehen.

Lagern Sie Milchprodukte im dafür vorgesehenen Bereich des Kühlschranks.

Flaschen können Sie im Flaschenhalter oder in der Flaschenablage der Tür aufbewahren.

Rohes Fleisch geben Sie am besten in einen Polyethylen-Beutel (PE) und lagern es im untersten Bereich des Kühlschranks.

Lassen Sie heiße Speisen und Getränke immer erst auf Raumtemperatur abkühlen, bevor Sie diese in den Kühlschrank stellen.

- Achtung

Lagern Sie hochprozentigen Alkohol nur aufrecht stehend und fest verschlossen.

- Achtung

Lagern Sie keine explosiven Substanzen oder Behälter mit brennbaren Treibgasen (Sprühsahne, Sprühdosen usw.) im Kühlgerät. Es besteht Explosionsgefahr.

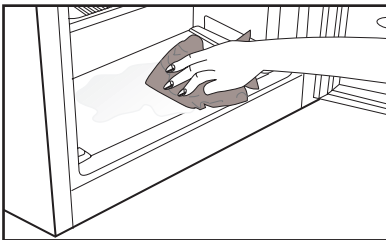
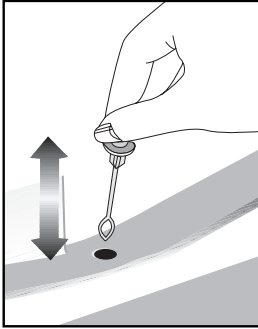
## Abtauen

Der Kühlbereich taut automatisch ab. Das Tauwasser fließt durch den Abflusskanal in einen Sammelbehälter an der Rückseite des Gerätes.

Beim Abtauen bilden sich durch Verdunstung Wassertröpfchen an der Rückwand des Kühlschranks.

Falls nicht alle Tropfen nach unten ablaufen, können sie nach dem Abtauen wieder gefrieren. Entfernen Sie diese Rückstände mit einem mit warmem Wasser getränktem Tuch, niemals mit harten oder gar scharfen Gegenständen.

Kontrollieren Sie den Tauwasserfluss von Zeit zu Zeit. Dieser kann gelegentlich zum Stocken kommen.



## Gerät stoppen

Bei Thermostaten mit 0-Position:

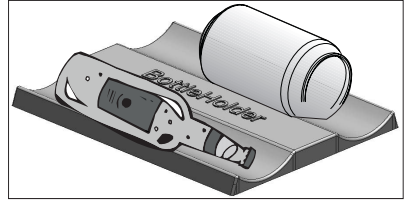
- Ihr Gerät stoppt, wenn Sie den Thermostatknopf in die 0-Position drehen. Das Gerät läuft erst dann wieder an, wenn Sie den Thermostatknopf wieder auf 1 oder eine höhere Position einstellen.

Bei Thermostaten mit „min“-Position:

- Bitte ziehen Sie zum Abschalten den Netzstecker.

## Flaschenhalter

Dieses Zubehörteil kann verwendet werden von Flaschen oder Dosen nebeneinander aufnehmen.



## 6 **Wartung und Reinigung**

---

- ⚠ Verwenden Sie zu Reinigungszwecken niemals Benzin oder ähnliche Substanzen.
- ⚠ Wir empfehlen, vor dem Reinigen den Netzstecker zu ziehen.
- ℹ Verwenden Sie zur Reinigung niemals scharfe Gegenstände, Seife, Haushaltsreiniger, Waschmittel oder Wachspolituren.
- ℹ Reinigen Sie das Gehäuse des Gerätes mit lauwarmem Wasser, wischen Sie die Flächen danach trocken.
- ⚠ Zur Reinigung des Innenraums verwenden Sie ein feuchtes Tuch, das Sie in eine Lösung aus 1 Teelöffel Natron und einem halben Liter Wasser getaucht und ausgewrungen haben. Nach dem Reinigen wischen Sie den Innenraum trocken.
- ⚠ Achten Sie darauf, dass kein Wasser in das Lampengehäuse oder andere elektrische Komponenten eindringt.
- ⚠ Wenn Ihr Kühlgerät längere Zeit nicht benutzt wird, ziehen Sie den Netzstecker, nehmen alle Lebensmittel heraus, reinigen das Gerät und lassen die Türe geöffnet.
- ℹ Kontrollieren Sie die Türdichtungen regelmäßig, um sicherzustellen, dass diese sauber und frei von Speiseresten sind.
- ℹ Zum Entfernen einer Türablage räumen Sie sämtliche Gegenständen aus der Ablage und schieben diese dann nach oben heraus.

- ℹ Verwenden Sie zur Reinigung der Außenflächen und Chrombeschichteten Produktteile niemals Reinigungsmittel oder Wasser, die/das Chlor enthält. Chlor lässt Metalloberflächen korrodieren.

### **Schutz der Kunststoffflächen**

- ℹ Geben Sie keine Öle oder stark fetthaltige Speisen offen in Ihren Kühlschrank / Gefrierschrank – dadurch können die Kunststoffflächen angegriffen werden. Sollten die Plastikoberflächen einmal mit Öl in Berührung kommen, so reinigen Sie die entsprechenden Stellen umgehend mit warmem Wasser.

## 7 Empfehlungen zur Problemlösung

Bitte arbeiten Sie diese Liste durch, bevor Sie den Kundendienst anrufen. Das kann Ihnen Zeit und Geld sparen. In der Liste finden Sie häufiger auftretende Probleme, die nicht auf Verarbeitungs- oder Materialfehler zurückzuführen sind. Nicht alle hier beschriebenen Funktionen sind bei jedem Modell verfügbar.

### Der Kühlschrank arbeitet nicht.

- Ist der Kühlschrank richtig angeschlossen? Stecken Sie den Netzstecker in die Steckdose.
- Ist die entsprechende Haussicherung herausgesprungen oder durchgebrannt? Überprüfen Sie die Sicherung.

### Kondensation an den Seitenwänden des Kühlbereiches. (Multizone, Kühlkontrolle und FlexiZone).

- Sehr geringe Umgebungstemperaturen. Häufiges Öffnen und Schließen der Tür. Sehr feuchte Umgebung. Offene Lagerung von feuchten Lebensmitteln. Tür nicht richtig geschlossen. Kühlere Thermostateinstellung wählen.
- Türen kürzer geöffnet halten oder seltener öffnen.
- Offene Behälter abdecken oder mit einem geeigneten Material einwickeln.
- Kondensation mit einem trockenen Tuch entfernen und überprüfen, ob diese erneut auftritt.

### Der Kompressor läuft nicht.

- Eine Schutzschaltung stoppt den Kompressor bei kurzzeitigen Unterbrechungen der Stromversorgung und wenn das Gerät zu oft und schnell ein- und ausgeschaltet wird, da der Druck des Kühlmittels eine Weile lang ausgeglichen werden muss. Ihr Kühlschrank beginnt nach etwa sechs Minuten wieder zu arbeiten. Bitte wenden Sie sich an den Kundendienst, falls Ihr Kühlschrank nach Ablauf dieser Zeit nicht wieder zu arbeiten beginnt.
- Der Kühlschrank taut ab. Dies ist bei einem vollautomatisch abtauenden Kühlschrank völlig normal. Das Gerät taut von Zeit zu Zeit ab.
- Der Netzstecker ist nicht eingesteckt. Überprüfen Sie, ob das Gerät richtig angeschlossen ist.
- Stimmen die Temperatureinstellungen?
- Eventuell ist der Strom ausgefallen.



Der Kühlschrank arbeitet sehr intensiv oder über eine sehr lange Zeit.

- Ihr neues Gerät ist vielleicht etwas breiter als sein Vorgänger. Dies ist völlig normal. Große Kühlgeräte arbeiten oft längere Zeit.
- Die Umgebungstemperatur ist eventuell sehr hoch. Dies ist völlig normal.
- Das Kühlgerät wurde möglicherweise erst vor kurzem in Betrieb genommen oder mit Lebensmitteln gefüllt. Es kann einige Stunden länger dauern, bis der Kühlschrank seine Arbeitstemperatur erreicht hat.
- Kurz zuvor wurden größere Mengen warmer Speisen im Kühlschrank eingelagert. Heiße Speisen führen dazu, dass der Kühlschrank etwas länger arbeiten muss, bis die geeignete Temperatur zur sicheren Lagerung erreicht ist.
- Türen wurden häufig geöffnet oder längere Zeit nicht richtig geschlossen. Der Kühlschrank muss länger arbeiten, weil warme Luft in den Innenraum eingedrungen ist. Öffnen Sie die Türen möglichst selten.
- Die Tür des Kühl- oder Tiefkühlbereichs war nur angelehnt. Vergewissern Sie sich, dass die Türen richtig geschlossen wurden.
- Die Kühlschranktemperatur ist sehr niedrig eingestellt. Stellen Sie die Kühlschranktemperatur höher ein und warten Sie, bis die gewünschte Temperatur erreicht ist.
- Die Türdichtungen von Kühl- oder Gefrierbereich sind verschmutzt, verschlissen, beschädigt oder sitzen nicht richtig. Reinigen oder ersetzen Sie die Dichtung. Beschädigte oder defekte Dichtungen führen dazu, dass der Kühlschrank länger arbeiten muss, um die Temperatur halten zu können.

Die Temperatur im Tiefkühlbereich ist sehr niedrig, während die Temperatur im Kühlbereich normal ist.

- Die Tiefkühltemperatur ist sehr niedrig eingestellt. Stellen Sie die Gefrierfachtemperatur wärmer ein und prüfen Sie.

Die Temperatur im Kühlbereich ist sehr niedrig, während die Temperatur im Tiefkühlbereich normal ist.

- Die Kühltemperatur ist eventuell sehr niedrig eingestellt. Stellen Sie die Kühlbereichtemperatur wärmer ein und prüfen Sie.

Im Kühlbereich gelagerte Lebensmittel frieren ein.

- Die Kühltemperatur ist eventuell sehr niedrig eingestellt. Stellen Sie die Kühlbereichtemperatur wärmer ein und prüfen Sie.

Die Temperatur im Kühl- oder Tiefkühlbereich ist sehr hoch.
<ul style="list-style-type: none"> <li>• Die Temperatur des Kühlbereichs ist eventuell sehr hoch eingestellt. Die Einstellung des Kühlbereichs beeinflusst die Temperatur im Tiefkühlbereich. Stellen Sie den Kühl- oder Tiefkühlbereich auf die gewünschte Temperatur ein.</li> <li>• Türen wurden häufig geöffnet oder längere Zeit nicht richtig geschlossen; weniger häufig öffnen.</li> <li>• Die Tür wurde eventuell nicht richtig geschlossen; Tür richtig schließen.</li> <li>• Kurz zuvor wurden größere Mengen warmer Speisen im Kühlschrank eingelagert. Warten Sie, bis der Kühl- oder Tiefkühlbereich die gewünschte Temperatur erreicht.</li> <li>• Der Kühlschrank war kurz zuvor von der Stromversorgung getrennt. Ihr Kühlschrank braucht einige Zeit, um sich auf die gewünschte Temperatur abzukühlen.</li> </ul>
Das Betriebsgeräusch nimmt zu, wenn der Kühlschrank arbeitet.
<ul style="list-style-type: none"> <li>• Das Leistungsverhalten des Kühlgerätes kann sich je nach Umgebungstemperatur ändern. Dies ist völlig normal und keine Fehlfunktion.</li> </ul>
Vibrationen oder Betriebsgeräusche.
<ul style="list-style-type: none"> <li>• Der Boden ist nicht eben oder nicht fest. Der Kühlschrank wackelt, wenn er etwas bewegt wird. Achten Sie darauf, dass der Boden eben ist und das Gewicht des Kühlschranks problemlos tragen kann.</li> <li>• Das Geräusch kann durch auf dem Kühlschrank abgestellte Gegenstände entstehen. Nehmen Sie abgestellte Gegenstände vom Kühlschrank herunter.</li> </ul>
Fließ- oder Spritzgeräusche sind zu hören.
<ul style="list-style-type: none"> <li>• Aus technischen Gründen bewegen sich Flüssigkeiten und Gase innerhalb des Gerätes. Dies ist völlig normal und keine Fehlfunktion.</li> </ul>
Windähnliche Geräusche sind zu hören.
<ul style="list-style-type: none"> <li>• Zum gleichmäßigen Kühlen werden Ventilatoren eingesetzt. Dies ist völlig normal und keine Fehlfunktion.</li> </ul>
Kondensation an den Kühlschrankinnenflächen.
<ul style="list-style-type: none"> <li>• Bei heißen und feuchten Wetterlagen tritt verstärkt Eisbildung und Kondensation auf. Dies ist völlig normal und keine Fehlfunktion.</li> <li>• Die Türen wurden eventuell nicht richtig geschlossen; Türen komplett schließen.</li> <li>• Türen wurden häufig geöffnet oder längere Zeit nicht richtig geschlossen; weniger häufig öffnen.</li> </ul>
Feuchtigkeit sammelt sich an der Außenseite des Kühlschranks oder an den Türen.
<ul style="list-style-type: none"> <li>• Eventuell herrscht hohe Luftfeuchtigkeit; dies ist je nach Wetterlage völlig normal. Die Kondensation verschwindet, sobald die Feuchtigkeit abnimmt.</li> </ul>
Unangenehmer Geruch im Kühlschrankinnenraum.
<ul style="list-style-type: none"> <li>• Das Innere des Kühlschranks muss gereinigt werden. Reinigen Sie das Innere des Kühlschranks mit einem Schwamm, den Sie mit lauwarmem oder kohlenensäurehaltigem Wasser angefeuchtet haben.</li> <li>• Bestimmte Behälter oder Verpackungsmaterialien verursachen den Geruch. Verwenden Sie andere Behälter oder Verpackungsmaterial einer anderen Marke.</li> </ul>
Die Tür wurde nicht richtig geschlossen.
<ul style="list-style-type: none"> <li>• Lebensmittelpackungen verhindern eventuell das Schließen der Tür. Entfernen Sie die Verpackungen, welche die Tür blockieren.</li> <li>• Der Kühlschrank steht nicht mit sämtlichen Füßen fest auf dem Boden und schaukelt bei kleinen Bewegungen. Stellen Sie die Höheneinstellschrauben ein.</li> <li>• Der Boden ist nicht eben oder nicht stabil genug. Achten Sie darauf, dass der Boden eben ist und das Gewicht des Kühlschranks problemlos tragen kann.</li> </ul>
Das Gemüsefach klemmt.
<ul style="list-style-type: none"> <li>• Die Lebensmittel berühren eventuell den oberen Teil der Schublade. Ordnen Sie die Lebensmittel in der Schublade anders an.</li> </ul>

## **Veillez d'abord lire la notice d'utilisation !**

Chère cliente, cher client,

Nous espérons que votre produit, qui a été fabriqué dans des usines modernes et vérifié au terme des procédures de contrôle de qualité les plus méticuleuses, vous rendra satisfaction.

Pour cette raison, nous vous conseillons de lire attentivement tout le manuel d'utilisation de votre produit avant de vous en servir, et de le conserver ensuite pour une utilisation ultérieure.

### **Le présent manuel**

- Vous aidera à utiliser votre produit avec rapidité et sécurité.
- Lisez le manuel avant d'installer et de faire fonctionner votre produit.
- Respectez les instructions, notamment celles relatives à la sécurité.
- Conservez ce manuel dans un endroit facilement accessible car vous pouvez en avoir besoin ultérieurement.
- En plus, lisez également les autres documents fournis avec votre produit.
- Veuillez noter que ce manuel peut également être valide pour d'autres modèles.

### **Symboles et descriptions**

Vous retrouverez les symboles suivants dans le présent manuel:

- i** Informations importantes ou astuces.
- ⚠** Avertissement relatif aux conditions dangereuses pour la vie et la propriété.
- ⚡** Avertissement relatif à la tension électrique.

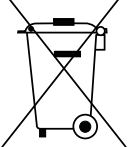


### **ATTENTION!**

Pour assurer un fonctionnement normal de votre appareil qui utilise un agent frigorigère écologique, R600a (inflammable seulement sous certaines conditions) vous devez respecter les règles suivantes:

- N'empêchez pas la libre circulation de l'air autour de l'appareil.
- N'utilisez pas des dispositifs mécaniques pour accélérer le dégivrage, autres que ceux recommandés par le fabricant.
- Ne détruisez pas le circuit frigorigère.
- N'utilisez pas des appareils électriques à l'intérieur du compartiment pour conserver les aliments, hormis celles qui sont éventuellement recommandés par le fabricant.

Recyclage

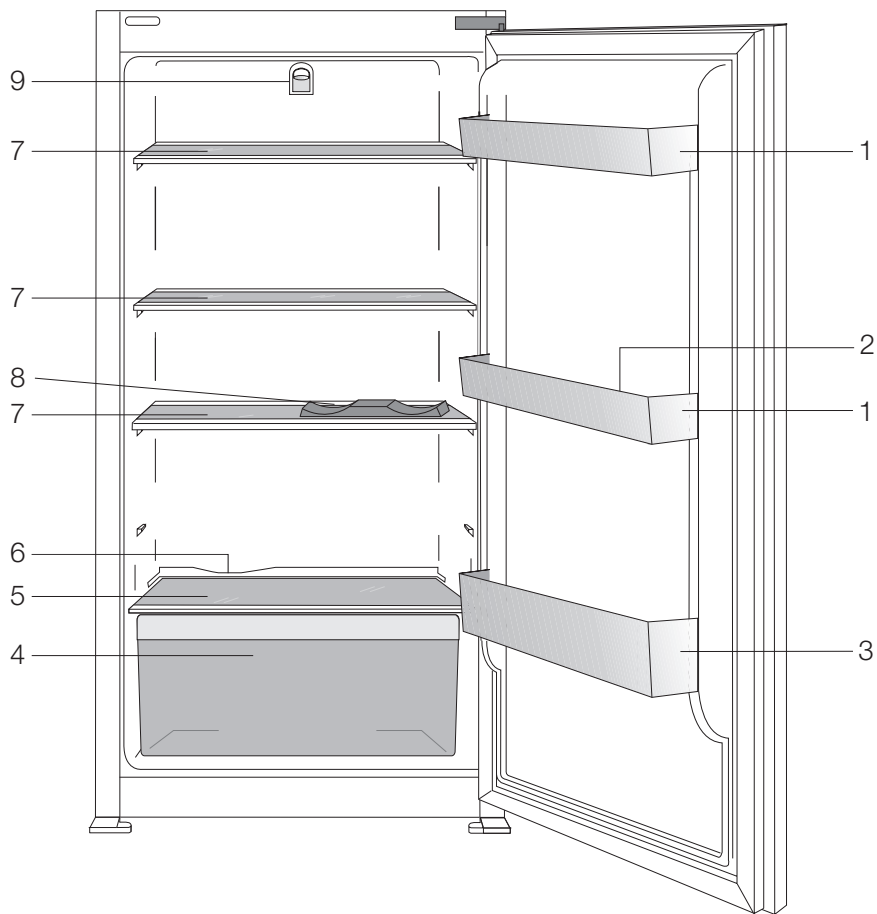


Ce produit est marqué du symbole du tri sélectif, relatif aux déchets d'équipements électriques et électroniques. Cela signifie que ce produit doit être pris en charge par un système de collecte sélectif conformément à la directive européenne 2002/96/CE, afin de pouvoir être recyclé ou démantelé dans le but de réduire tout impact sur l'environnement. Attention les produits électroniques n'ayant pas fait l'objet d'un tri sélectif sont potentiellement dangereux pour l'environnement et la santé humaine en raison de la présence potentielle de substances dangereuses.

## TABLE DES MATIÈRES

<b>1</b>	<b>1</b>	<b>4</b>	<b>10</b>
<b>2</b>	<b>4</b>	<b>5</b>	<b>11</b>
Utilisation préconisée .....	4	Réglage de la température de fonctionnement .....	11
Sécurité générale.....	4	Utilisation des compartiments intérieurs.....	11
Pour les appareils dotés d'une fontaine à eau reliée à l'eau courante.....	6	Réfrigération .....	11
Sécurité enfants.....	6	Décongélation .....	12
Avertissement sur l'usage des fluides frigorigènes .....	6	Eteindre le produit .....	12
Mesures d'économie d'énergie.....	6	Porte-bouteille .....	12
<b>3</b>	<b>7</b>	<b>6</b>	<b>13</b>
Éléments à prendre en considération lors du déménagement de votre réfrigérateur .....	7	Protection des surfaces en plastique.....	13
Avant de mettre votre réfrigérateur en marche, .....	7	<b>7</b>	<b>14</b>
Branchement électrique.....	7	<b>Solutions recommandées aux problèmes</b>	
Mise au rebut de l'emballage .....	8		
Mise au rebut de votre ancien réfrigérateur .....	8		
Disposition et Installation .....	8		
Remplacement de l'ampoule intérieure .....	8		
Réversibilité des portes.....	9		

# 1 Votre réfrigérateur



- |    |                            |    |  |
|----|----------------------------|----|--|
| 1. | Balconnets réglables       | 6. | Voie de récupération de l'eau de dégivrage - tube d'écoulement |
| 2. | Casier à œufs              | 7. | Clayettes en verre   |
| 3. | Balconnet range-bouteilles | 8. | Porte-bouteille  |
| 4. | Bac à légumes              | 9. | Ampoule et boîtier de thermostat                               |
| 5. | Couvercle du bac à légumes |    |  |

**i** Les illustrations présentées dans cette notice d'utilisation sont schématiques et peuvent ne pas correspondre exactement à votre produit. Si des pièces présentées ne sont pas comprises dans le produit que vous avez acheté, elles sont valables pour d'autres modèles.

## 2 Précautions de sécurité importantes

Veillez examiner les informations suivantes: Le non respect de ces consignes peut entraîner des blessures ou dommages matériels. Sinon, tout engagement lié à la garantie et à la fiabilité du produit devient invalide.

Les pièces détachées d'origine sont disponibles pendant 10 ans, à compter de la date d'achat du produit.

### Utilisation préconisée

Ce produit est prévu pour une utilisation:

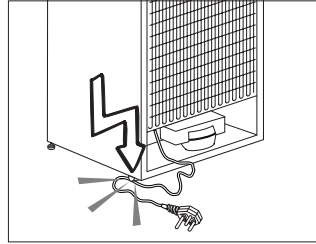
- en intérieur et dans des zones fermées telles que les maisons;
- dans les environnements de travail fermés, tels que les magasins et les bureaux;
- dans les lieux d'hébergement fermés, tels que les fermes, hôtels, pensions.
- Il ne doit pas être utilisé en extérieur.

### Sécurité générale

- Avant de vous débarrasser de votre appareil, veuillez consulter les autorités locales ou votre revendeur pour connaître le mode opératoire et les organismes de collecte agréés.
- Consultez le service après-vente agréé concernant toutes questions ou problèmes relatifs au réfrigérateur. N'intervenez pas ou ne laissez personne intervenir sur le réfrigérateur sans le communiquer au service après-vente agréé.
- Pour les produits équipés d'un compartiment congélateur: ne mangez pas de cônes de crème glacée ou des glaçons immédiatement après les avoir sortis du compartiment de congélation!(Cela pourrait provoquer des engelures dans votre bouche).
- Pour les produits équipés d'un compartiment congélateur: ne placez pas de boissons en bouteille ou en cannette dans le compartiment de congélation. Cela peut entraîner leur éclatement.
- Ne touchez pas des produits congelés avec les mains, ils pourraient se coller à celles-ci.
- Débranchez votre réfrigérateur avant de le nettoyer ou de le dégivrer.
- La vapeur et des matériaux de nettoyage pulvérisés ne doivent jamais être utilisés pour les processus de nettoyage ou de dégivrage de votre réfrigérateur. La vapeur pourrait pénétrer dans les pièces électriques et provoquer des courts-circuits ou des électrocutions.
- Ne jamais utiliser les pièces de votre réfrigérateur telles que la porte, comme un support ou une marche.
- N'utilisez pas d'appareils électriques à l'intérieur du réfrigérateur.
- N'endommagez pas les pièces où circule le liquide réfrigérant avec des outils de forage ou coupants. Le liquide réfrigérant qui pourrait s'échapper si les canalisations de gaz de l'évaporateur, les rallonges de tuyau ou les revêtements de surface étaient percés, peut irriter la peau et provoquer des blessures aux yeux.
- Ne pas couvrir ou obstruer les orifices de ventilation du réfrigérateur.
- Les appareils électriques peuvent être réparés seulement par des personnes autorisées. Les réparations réalisées par des personnes ne présentant pas les compétences requises peuvent présenter un risque pour l'utilisateur.
- En cas de dysfonctionnement ou lors d'opérations d'entretien ou de réparation, débranchez l'alimentation électrique du réfrigérateur soit en désactivant le fusible correspondant, soit en débranchant l'appareil.
- Ne tirez pas sur le câble lorsque vous débranchez la prise.
- Placez les boissons alcoolisées verticalement, dans des récipients convenablement fermés.
- Ne conservez jamais des aérosols contenant des substances inflammables et explosives dans le réfrigérateur.
- N'utilisez pas d'outils mécaniques ou autres dispositifs pour accélérer le processus de décongélation autres que ceux qui sont recommandés par le fabricant.

- Cet appareil peut être utilisé par des enfants âgés d'au moins 8 ans et par des personnes ayant des capacités physiques, sensorielles ou mentales réduites ou dénuées d'expérience ou de connaissance, s'ils (si elles) sont correctement surveillés(es) ou si des instructions relatives à l'utilisation de l'appareil en toute sécurité leur ont été données et si les risques encourus ont été appréhendés. Les enfants ne doivent pas jouer avec l'appareil. Le nettoyage et l'entretien par l'utilisateur de doivent pas être effectués par des enfants sans surveillance.
- Ne faites pas fonctionner un réfrigérateur endommagé. Consultez le service agréé en cas de problème.
- La sécurité électrique du réfrigérateur n'est assurée que si le système de mise à la terre de votre domicile est conforme aux normes en vigueur.
- L'exposition du produit à la pluie, la neige, au soleil ou au vent présente des risques concernant la sécurité électrique.
- Contactez le service agréé quand un câble d'alimentation est endommagé pour éviter tout danger.
- Ne branchez jamais le réfrigérateur à la prise murale au cours de l'installation. Vous vous exposeriez à un risque de mort ou à de blessures graves.
- Ce réfrigérateur est conçu seulement pour conserver des aliments. Par conséquent, il ne doit pas être utilisé à d'autres fins.
- L'étiquette avec les caractéristiques techniques est située sur le mur gauche à l'intérieur du réfrigérateur.
- Ne branchez jamais votre réfrigérateur à des systèmes d'économie d'énergie, cela peut l'endommager.
- S'il y a une lumière bleue sur le réfrigérateur, ne la regardez pas avec des outils optiques.
- Pour les réfrigérateurs contrôlés manuellement, attendez au moins 5 minutes pour allumer le réfrigérateur après une coupure de courant.

- Si cet appareil venait à changer de propriétaire, n'oubliez pas de remettre la présente notice d'utilisation au nouveau bénéficiaire.
- Évitez d'endommager le câble d'alimentation quand vous transportez le réfrigérateur. Tordre le câble peut entraîner un incendie. Ne placez jamais d'objets lourds sur le câble d'alimentation.



- Évitez de toucher à la prise avec des mains mouillées au moment de brancher l'appareil.
- Évitez de brancher le réfrigérateur lorsque la prise de courant électrique a lâché.
- Pour des raisons de sécurité, évitez de pulvériser directement de l'eau sur les parties externes et internes du réfrigérateur.
- Ne pulvérisez pas de substances contenant des gaz inflammables comme du propane près du réfrigérateur pour éviter tout risque d'incendie et d'explosion.
- Ne placez jamais de récipients contenant de l'eau sur votre réfrigérateur, ils pourraient causer des chocs électriques ou un incendie.
- Évitez de surcharger le réfrigérateur avec une quantité excessive d'aliments. S'il est surchargé, les aliments peuvent tomber, vous blesser et endommager le réfrigérateur quand vous ouvrez la porte.
- Ne placez jamais d'objets au-dessus du réfrigérateur, ils pourraient tomber quand vous ouvrez ou fermez la porte du réfrigérateur.
- Les produits qui nécessitent un contrôle de température précis (vaccin, médicament sensible à la chaleur, matériels scientifiques, etc.) ne doivent pas être conservés dans le réfrigérateur.

- Si le réfrigérateur n'est pas utilisé pendant longtemps, il doit être débranché. Un problème avec le câble d'alimentation pourrait causer un incendie.
- Le bout de la prise électrique doit être nettoyé régulièrement à l'aide d'un chiffon sec, sinon il peut provoquer un incendie.
- Le réfrigérateur peut bouger si ses pieds réglables ne sont pas bien fixés sur le sol. Bien fixer les pieds réglables sur le sol peut empêcher le réfrigérateur de bouger.
- Quand vous transportez le réfrigérateur, ne le tenez pas par la poignée de la porte. Cela peut l'endommager.
- Quand vous devez placer votre produit près d'un autre réfrigérateur ou congélateur, la distance entre les appareils doit être d'au moins 8 cm. Sinon, les murs adjacents peuvent être humidifiés.

## **Pour les appareils dotés d'une fontaine à eau**

- La pression de l'alimentation en eau doit être comprise entre 1 et 8 bars.
- Utilisez uniquement de l'eau potable.

## **Sécurité enfants**

- Si la porte a un verrouillage, la clé doit rester hors de portée des enfants.
- Les enfants doivent être surveillés et empêchés de s'amuser avec le produit.

## **Avertissement sur l'usage des fluides frigorigènes**

### **Si le système de refroidissement de votre appareil contient R600a:**

Ce gaz est inflammable. Par conséquent, veuillez prendre garde à ne pas endommager le système de refroidissement et les tuyauteries lors de son utilisation ou de son transport. En cas de dommages, éloignez votre produit de toute source potentielle de flammes susceptible de provoquer l'incendie de l'appareil. De même, placez le produit dans une pièce aérée.

### **Ne tenez pas compte de cet avertissement si le système de refroidissement de votre appareil contient R134a.**

Le type de gaz utilisé dans l'appareil est mentionné sur la plaque signalétique située sur la paroi gauche de l'intérieur du réfrigérateur.

Ne jetez jamais l'appareil au feu pour vous en débarrasser.

## **Mesures d'économie d'énergie**

- Ne laissez pas les portes du réfrigérateur ouvertes pendant une durée prolongée.
- N'introduisez pas de aliments ou de boissons chaudes dans le réfrigérateur.
- Ne surchargez pas le réfrigérateur pour ne pas obstruer pas la circulation d'air à l'intérieur.
- N'installez pas le réfrigérateur à la lumière directe du soleil ou près d'appareil émettant de la chaleur tels qu'un four, un lave-vaisselle ou un radiateur. Maintenez une distance d'au moins 30 cm entre votre réfrigérateur et toute source de chaleur, et à une distance de 5 cm d'un four électrique.
- Veillez à conserver vos aliments dans des récipients fermés.
- Pour les produits équipés d'un compartiment congélateur: vous pouvez conserver une quantité maximale d'aliments dans le congélateur quand vous enlevez l'étagère ou le tiroir du congélateur. La consommation d'énergie précisée pour votre réfrigérateur a été déterminée en enlevant l'étagère ou le tiroir du congélateur et avec la charge maximale. Il n'y a aucun risque à utiliser une étagère ou un tiroir en fonction des formes et tailles des aliments à congeler.
- La décongélation des aliments dans le compartiment réfrigérateur permet de faire des économies d'énergie et de préserver la qualité des aliments.



### 3 Installation

⚠ Dans l'hypothèse où l'information contenue dans ce manuel n'a pas été prise en compte par l'utilisateur, le fabricant ne sera aucunement responsable en cas de problèmes.

#### Éléments à prendre en considération lors du déménagement de votre réfrigérateur

1. Votre réfrigérateur doit être débranché.
2. Avant le transport de votre réfrigérateur, vous devez le vider et le nettoyer. Avant d'emballer votre réfrigérateur, vous devez fixer ses étagères, bac, accessoires, etc., avec du ruban adhésif afin de les protéger contre les chocs.
3. L'emballage doit être solidement attaché avec du ruban adhésif épais ou avec un cordage solide. La réglementation en matière de transport et de marquage de l'emballage doit être strictement respectée.
4. L'emballage et les matériaux de protection d'emballage doivent être conservés pour les éventuels transports ou déplacements à venir.

#### Avant de mettre votre réfrigérateur en marche,

Vérifiez les points suivants avant de commencer à utiliser votre réfrigérateur

1. L'intérieur du réfrigérateur est sec et l'air peut circuler librement à l'arrière?
2. Nettoyez l'intérieur du réfrigérateur tel qu'indiqué dans la section « Entretien et nettoyage ».

3. Insérez la prise du réfrigérateur dans la prise murale. Lorsque la porte du réfrigérateur est ouverte, la lampe interne du réfrigérateur s'éclaire.

4. Lorsque le compresseur commence à fonctionner, il émettra un son. Le liquide et les gaz intégrés au système du réfrigérateur peuvent également faire du bruit, que le compresseur soit en marche ou non. Ceci est tout à fait normal.

5. Les parties antérieures du réfrigérateur peuvent chauffer. Ce phénomène est normal. Ces zones doivent en principe être chaudes pour éviter tout risque de condensation.

#### Branchement électrique

Branchez votre réfrigérateur à une prise électrique protégée par un fusible ayant une capacité appropriée.

Important:

- Le branchement doit être conforme aux normes en vigueur sur le territoire national.
- La fiche du câble d'alimentation doit être facilement accessible après installation.
- La sécurité électrique du réfrigérateur n'est assurée que si le système de mise à la terre de votre domicile est conforme aux normes en vigueur.
- La tension indiquée sur l'étiquette située sur la paroi gauche interne de votre produit doit correspondre à celle fournie par votre réseau électrique.
- **Les rallonges et multiprises ne doivent pas être utilisés pour brancher l'appareil.**

⚠ Un câble d'alimentation endommagé doit être remplacé par un électricien qualifié.

⚠ L'appareil ne doit pas être mis en service avant d'être réparé ! Cette précaution permet d'éviter tout risque de choc électrique!

## Mise au rebut de l'emballage

Les matériaux d'emballage peuvent être dangereux pour les enfants. Tenez les matériaux d'emballage hors de portée des enfants ou jetez-les conformément aux consignes établies par les autorités locales en matière de déchets. Ne les jetez pas avec les déchets domestiques, déposez-les dans les centres de collecte désignés par les autorités locales.

L'emballage de votre appareil est produit à partir de matériaux recyclables.

## Mise au rebut de votre ancien réfrigérateur

Débarrassez-vous de votre ancien réfrigérateur sans nuire à l'environnement.

- Vous pouvez consulter le service après-vente agréé ou le centre chargé de la mise au rebut dans votre municipalité pour en savoir plus sur la mise au rebut de votre produit.

Avant de procéder à la mise au rebut de votre machine, coupez la prise électrique et, le cas échéant, tout verrouillage susceptible de se trouver sur la porte. Rendez-les inopérants afin de ne pas exposer les enfants à d'éventuels dangers.

## Disposition et Installation

△ Si la porte d'entrée de la pièce où sera installé le réfrigérateur n'est pas assez large pour laisser passer le réfrigérateur, appelez le service après-vente qui retirera les portes du réfrigérateur et le fera entrer latéralement dans la pièce.

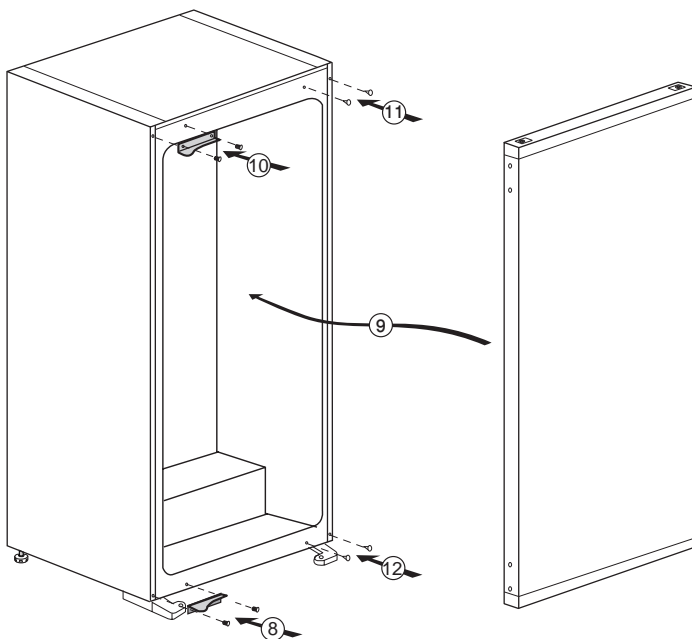
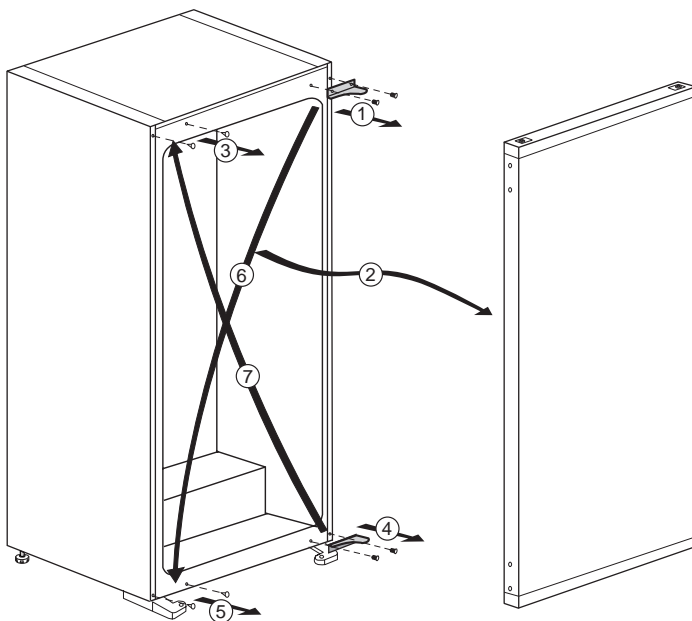
1. Installez le réfrigérateur dans un emplacement qui permette une utilisation pratique.
2. Maintenez le réfrigérateur éloigné de toutes sources de chaleur, des endroits humides et de la lumière directe du soleil.
3. Une ventilation d'air autour du réfrigérateur doit être aménagée pour obtenir un fonctionnement efficace. Si le réfrigérateur est placé dans un enfoncement du mur, il doit y avoir un espace d'au moins 5 cm avec le plafond et d'au moins 5 cm avec le mur. Ne placez pas l'appareil sur des revêtements tels qu'un tapis ou de la moquette.
4. Placez le réfrigérateur sur une surface plane afin qu'il soit stable.
5. N'exposez pas le réfrigérateur à des températures ambiantes inférieures à 10°C.

## Remplacement de l'ampoule intérieure

Pour remplacer l'ampoule LED du réfrigérateur, veuillez contacter le service après-vente agréé. L'ampoule (s) utilisé dans cet appareil ne convient pas pour l'éclairage de la cuisine. Le but visé par cette lampe est d'aider à l'utilisateur de placer les aliments dans le réfrigérateur / congélateur d'une manière sûre et confortable. Les voyants utilisés dans cet appareil doivent résister aux conditions physiques extrêmes telles que des températures inférieures à -20°C.

## Réversibilité des portes

Procédez dans l'ordre numérique.



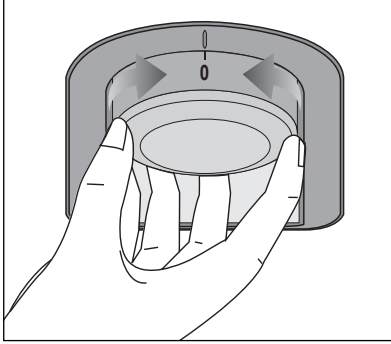
## 4 Préparation

---

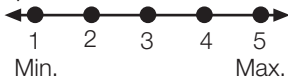
- i** Votre réfrigérateur doit être installé à au moins 30 cm des sources de chaleur telles que les plaques de cuisson, les fours, appareils de chauffage ou cuisinières, et à au moins 5 cm des fours électriques. De même, il ne doit pas être exposé à la lumière directe du soleil.
- i** La température ambiante de la pièce où vous installez le réfrigérateur doit être d'au moins 10°C. Faire fonctionner l'appareil sous des températures inférieures n'est pas recommandé et pourrait nuire à son efficacité.
- i** Veuillez vous assurer que l'intérieur de votre appareil est soigneusement nettoyé.
- i** Si deux réfrigérateurs sont installés côte à côte, ils doivent être séparés par au moins 2 cm.
- i** Lorsque vous faites fonctionner le réfrigérateur pour la première fois, assurez-vous de suivre les instructions suivantes pendant les six premières heures.
  - La porte ne doit pas être ouverte fréquemment.
  - Le réfrigérateur doit être mis en marche à vide, sans aliments à l'intérieur.
  - Ne débranchez pas le réfrigérateur. Si une panne de courant se produit, veuillez vous reporter aux avertissements dans la section « Solutions recommandées aux problèmes ».
- i** L'emballage et les matériaux de protection d'emballage doivent être conservés pour les éventuels transports ou déplacements à venir.

## 5 Utilisation du réfrigérateur

### Réglage de la température de fonctionnement



La température de fonctionnement est réglée à l'aide de la commande de température.



**1 = Réglage de réfrigération le plus faible (Réglage le moins froid)**

**5 = Réglage de réfrigération le plus fort (Réglage le plus froid)**

(Ou)

**Min. = Réglage de réfrigération le plus faible (Réglage le moins froid)**

**Max. = Réglage de réfrigération le plus fort (Réglage le plus froid)**

La température médiane à l'intérieur du réfrigérateur doit être proche de +5°C. Veuillez choisir le réglage en fonction de la température désirée.

Vous remarquerez qu'il y a plusieurs températures différentes dans la zone de réfrigération.

La zone la plus froide est située directement au-dessous du bac à légumes.

La température intérieure est également fonction de la température ambiante, la fréquence d'ouverture de la porte et la quantité de aliments stockées à l'intérieur.

Si la porte est ouverte fréquemment, la température intérieure monte.

Pour cette raison, il est recommandé de refermer la porte aussitôt que possible après utilisation.

### Utilisation des compartiments intérieurs

Clayettes en verre: L'écart entre les étagères peut être réglé si nécessaire.

Bac à légumes: Les fruits et légumes peuvent être conservés dans ce compartiment pendant de longues périodes sans se détériorer.

Clayette range-bouteilles: Les bouteilles, bocaux et les canettes peuvent être placés dans ces étagères.

### Réfrigération

#### Conservation des aliments

Le compartiment réfrigérateur est destiné à la conservation à court terme d'aliments frais et de boissons.

Conservez les produits laitiers dans le compartiment prévu à cet effet dans le réfrigérateur.

Les bouteilles peuvent être stockées sur la clayette support bouteilles ou dans le balconnet range bouteilles de la porte.

La viande crue sera conservée de manière optimale dans un sac en polyéthylène dans le compartiment situé tout en bas du réfrigérateur.

Laissez refroidir les aliments et boissons à la température ambiante avant de les mettre dans le réfrigérateur.

- Attention

Conservez l'alcool à forte concentration debout et bien fermé uniquement.

- Attention

Ne conservez pas de substances explosives ni de récipients à gaz propulseurs inflammables (crème en bombe, bombes aérosols etc.) Un risque d'explosion existe.

## Décongélation

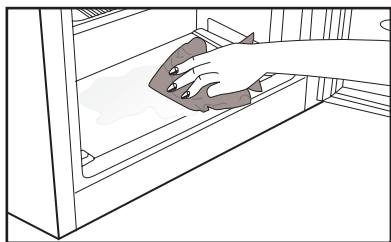
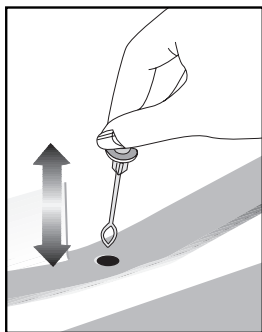
Le compartiment réfrigérateur dégivre automatiquement.

L'eau de dégivrage s'écoule dans la voie d'écoulement et se déverse dans le bac de récupération à l'arrière de l'appareil.

Pendant le dégivrage, des gouttelettes d'eau se forment à l'arrière du réfrigérateur à cause de l'évaporateur.

Si toutes les gouttes ne s'écoulent pas, elles peuvent geler de nouveau après le dégivrage. Enlevez-les à l'aide d'un chiffon mouillé à l'eau tiède, et jamais au moyen d'un objet dur ou tranchant.

Vérifiez l'écoulement de l'eau de dégivrage de temps en temps. L'orifice peut parfois s'obstruer.



## Eteindre le produit

Si la position « 0 » se trouve sur votre thermostat:

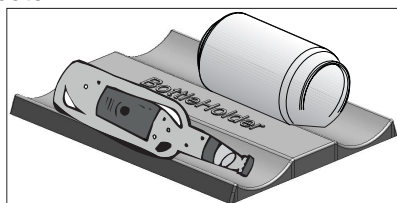
- Votre appareil cessera de fonctionner lorsque vous mettrez le bouton du thermostat à la position « 0 » (zéro). Votre appareil ne démarrera pas à moins que vous mettiez le bouton du thermostat sur la position « 1 » ou sur l'une des autres positions.

Si la position « min » se trouve sur votre thermostat:

- Débranchez votre appareil pour l'arrêter.

## Porte-bouteille

Cet accessoire peut être utilisé pour stocker des bouteilles soit canettes côte à côte.



## 6 Entretien et nettoyage

---

- ⚠ N'utilisez jamais d'essence, de benzène ou de matériaux similaires pour le nettoyage.
- ⚠ Nous vous recommandons de débrancher l'appareil avant de procéder au nettoyage.
- ℹ N'utilisez jamais d'ustensiles tranchants, savon, produit de nettoyage domestique, détergent et cirage pour le nettoyage.
- ℹ Utilisez de l'eau tiède pour nettoyer la carrosserie du congélateur / réfrigérateur et séchez-la soigneusement à l'aide d'un chiffon.
- ℹ Utilisez un chiffon humide imbibé d'une solution composée d'une cuillère à café de bicarbonate de soude pour un demi litre d'eau pour nettoyer l'intérieur et séchez soigneusement.
- ⚠ Prenez soin de ne pas faire couler d'eau dans le logement de la lampe et dans d'autres éléments électriques.
- ⚠ En cas de non utilisation de votre congélateur / réfrigérateur pendant une période prolongée, débranchez le câble d'alimentation, sortez toutes les aliments, nettoyez-le et laissez la porte entrouverte.
- ℹ Inspectez les joints de porte régulièrement pour vérifier qu'ils sont propres et qu'il n'y a pas de résidus de nourriture.
- ℹ Pour retirer les balconnets de portes, sortez tout son contenu puis poussez simplement le balconnet vers le haut à partir de la base.

- ℹ Ne jamais utiliser des produits nettoyants ou de l'eau contenant du chlore pour le nettoyage des surfaces externes et des pièces chromées du produit. Le chlore entraîne la corrosion de ces surfaces métalliques.

### Protection des surfaces en plastique

- Ne placez pas d'huiles ou de plats huileux dans le congélateur / réfrigérateur dans des récipients non fermés, car les graisses peuvent endommager les surfaces en plastique du congélateur / réfrigérateur. Si vous versez ou éclaboussez de l'huile sur les surfaces en plastique, nettoyez et lavez les parties souillées avec de l'eau chaude immédiatement.

## 7 Solutions recommandées aux problèmes

Veillez vérifier la liste suivante avant d'appeler le service après-vente. Cela peut vous faire économiser du temps et de l'argent. Cette liste regroupe les problèmes les plus fréquents ne provenant pas d'un défaut de fabrication ou d'utilisation du matériel. Il se peut que certaines des fonctions décrites ne soient pas présentes sur votre produit.

### Le réfrigérateur ne fonctionne pas.

- Le réfrigérateur est-il correctement branché ? Insérez la prise dans la prise murale.
- Est-ce que le fusible ou la douille de raccord du réfrigérateur sont connectés ou est-ce que le fusible principal a sauté ? Vérifiez le fusible.

### Condensation sur la paroi intérieure du compartiment réfrigérateur. (MULTIZONE, COOL CONTROL et FLEXI ZONE).

- Température ambiante très basse. Ouvertures et fermetures fréquentes de la porte. Humidité ambiante très élevée. Conservation de aliments liquides dans des récipients ouverts. Porte laissée entrouverte. Réglez le thermostat à un niveau de froid supérieur.
- Réduisez les temps d'ouverture de la porte ou utilisez-la moins fréquemment.
- Couvrez les aliments dans des récipients ouverts à l'aide d'un matériau adapté.
- Essuyez la condensation à l'aide d'un tissu sec et vérifiez si elle persiste.

### Le compresseur ne fonctionne pas.

- Le dispositif de protection thermique du compresseur sautera en cas de coupures soudaines du courant ou de débranchement intempestif, en effet la pression du liquide réfrigérant du système de refroidissement ne sera pas équilibrée. Le réfrigérateur recommencera à fonctionner normalement après 6 minutes environ. Veuillez contacter le service après-vente si le réfrigérateur ne redémarre pas après cette période.
- Le réfrigérateur est en mode de dégivrage. Cela est normal pour un réfrigérateur à dégivrage semi-automatique. Le cycle de dégivrage se déclenche régulièrement.
- Le réfrigérateur n'est pas branché à la prise. Assurez-vous que la prise est branchée à la prise murale.
- Les réglages de température sont-ils corrects ?
- Il se peut qu'il y ait une panne d'électricité.



Le réfrigérateur fonctionne fréquemment ou pendant de longue périodes.

- Votre nouveau réfrigérateur est peut être plus large que l'ancien. Ceci est tout à fait normal. Les grands réfrigérateurs fonctionnent pendant une période de temps plus longue.
- La température ambiante de la salle peut être élevée. Ceci est tout à fait normal.
- Le réfrigérateur pourrait y avoir été branché tout récemment ou pourrait avoir été chargé de aliments alimentaires. Le refroidissement complet du réfrigérateur peut durer quelques heures de plus.
- D'importantes quantités de aliments chaudes ont peut être été introduites dans le réfrigérateur récemment. Les aliments chaudes provoquent un fonctionnement prolongé du réfrigérateur avant d'atteindre le niveau de température de conservation raisonnable.
- Les portes ont peut être été ouvertes fréquemment ou laissées entrouvertes pendant une durée prolongée. L'air chaud qui entre dans le réfrigérateur le fait fonctionner pendant de plus longues périodes. Ouvrez les portes moins souvent.
- La porte du réfrigérateur ou du congélateur ont peut être été laissées entrouvertes. Vérifiez que les portes sont bien fermées.
- Le réfrigérateur est réglé à une température très basse. Réglez la température du réfrigérateur à un degré supérieur et attendez jusqu'à ce que la température soit bonne.
- Le joint de la porte du réfrigérateur ou du congélateur peut être sale, déchiré, rompu ou mal en place. Nettoyez ou remplacez le joint. Tout joint endommagé/déchiré fait fonctionner le réfrigérateur pendant une période de temps plus longue afin de conserver la température actuelle.

La température du congélateur est très basse alors que celle du réfrigérateur est correcte.

- La température du congélateur est réglée à une température très basse. Réglez la température du congélateur à un degré supérieur et vérifiez.

La température du réfrigérateur est très basse alors que celle du congélateur est correcte.

- Il se peut que la température du réfrigérateur a réglée à une température très basse. Réglez la température du réfrigérateur à un degré supérieur et vérifiez.

Les aliments conservées dans les tiroirs du compartiment de réfrigération congelent.

- Il se peut que la température du réfrigérateur a réglée à une température très basse. Réglez la température du réfrigérateur à un degré supérieur et vérifiez.

<b>La température dans le réfrigérateur ou le congélateur est très élevée.</b>
<ul style="list-style-type: none"> <li>• La température du réfrigérateur a peut être été réglée à un degré très élevé. Le réglage du réfrigérateur a un effet sur la température du congélateur. Modifiez la température du réfrigérateur ou du congélateur jusqu'à ce qu'elles atteignent un niveau correct.</li> <li>• Les portes ont peut être été ouvertes fréquemment ou laissées entrouvertes pendant une durée prolongée; ouvrez-les moins fréquemment.</li> <li>• La porte est peut être restée ouverte; refermez complètement la porte.</li> <li>• D'importantes quantités de aliments chaudes ont peut être été introduites dans le réfrigérateur récemment. Attendez que le réfrigérateur ou le congélateur atteigne la bonne température.</li> <li>• Le réfrigérateur y a peut être été branché récemment. Le refroidissement complet du réfrigérateur nécessite du temps.</li> </ul>
<b>Le niveau sonore augmente lorsque le réfrigérateur est en marche.</b>
<ul style="list-style-type: none"> <li>• Les caractéristiques de performance du réfrigérateur peuvent changer en raison des variations de la température ambiante. Cela est normal et n'est pas un défaut.</li> </ul>
<b>Vibrations ou bruits.</b>
<ul style="list-style-type: none"> <li>• Le sol n'est pas plat ou n'est pas solide. Le réfrigérateur oscille lorsqu'on le bouge lentement. Assurez-vous que le sol est plat et suffisamment solide pour supporter le réfrigérateur.</li> <li>• Les bruits peuvent être produits par les objets placés sur le réfrigérateur. Enlevez tout ce qu'il y a au-dessus du réfrigérateur.</li> </ul>
<b>Le réfrigérateur produit des bruits semblables à de l'eau qui coule ou à la pulvérisation d'un liquide.</b>
<ul style="list-style-type: none"> <li>• Des écoulements de gaz et de liquides se produisent dans le réfrigérateur, de par ses principes de fonctionnement. Cela est normal et n'est pas un défaut.</li> </ul>
<b>Le réfrigérateur produit des bruits semblables à du vent.</b>
<ul style="list-style-type: none"> <li>• Les ventilateurs sont utilisés pour refroidir le réfrigérateur. Cela est normal et n'est pas un défaut.</li> </ul>
<b>Condensation sur les parois intérieures du réfrigérateur.</b>
<ul style="list-style-type: none"> <li>• Un temps chaud et humide augmente la formation de givre et de condensation. Cela est normal et n'est pas un défaut.</li> <li>• La porte est peut être restée ouverte; assurez-vous que les portes sont complètement fermées.</li> <li>• Les portes ont peut être été ouvertes fréquemment ou laissées entrouvertes pendant une durée prolongée; ouvrez-les moins fréquemment.</li> </ul>
<b>De l'humidité est présente à l'extérieur ou entre les portes du réfrigérateur.</b>
<ul style="list-style-type: none"> <li>• Il y a peut être de l'humidité dans l'air; ceci est tout à fait normal par un temps humide. Lorsque l'humidité est faible, la condensation disparaîtra.</li> </ul>
<b>Présence d'une mauvaise odeur dans le réfrigérateur.</b>
<ul style="list-style-type: none"> <li>• L'intérieur du réfrigérateur doit être nettoyé. Nettoyez l'intérieur du réfrigérateur avec une éponge, de l'eau tiède ou de l'eau gazeuse.</li> <li>• Certains récipients ou matériaux d'emballage peuvent provoquer ces odeurs. Utilisez un autre récipient ou changez de marque de matériau d'emballage.</li> </ul>
<b>La porte ne se ferme pas.</b>
<ul style="list-style-type: none"> <li>• Des récipients peuvent empêcher la fermeture de la porte. Remplacez les emballages qui obstruent la porte.</li> <li>• Le réfrigérateur n'est pas complètement vertical et peut balancer lorsqu'on le bouge légèrement. Réglez les vis de levage.</li> <li>• Le sol n'est pas plat ou solide. Assurez-vous que le sol est plat et qu'il peut supporter le réfrigérateur.</li> </ul>
<b>Les bacs à légumes sont coincés.</b>
<ul style="list-style-type: none"> <li>• Il se peut que les aliments touchent le haut du tiroir. Disposez à nouveau les aliments dans le tiroir.</li> </ul>

## Gelieve eerst deze gebruiksaanwijzing te lezen!

Beste klant,

We hopen dat uw product, dat in een moderne fabriek werd geproduceerd en onder de meest nauwkeurige procedures voor kwaliteitscontrole werd gecontroleerd, u doeltreffend van dienst zal zijn.




Wij bevelen daarom aan dat u eerst zorgvuldig de volledige gebruiksaanwijzing van uw product leest voordat u het product gaat gebruiken. Bewaar de handleiding voor toekomstige raadpleging.

## Deze gebruiksaanwijzing

- Helpt u uw toestel snel en veilig te gebruiken.
- Lees de gebruiksaanwijzing voordat u het product installeert en gebruikt.
- Volg de instructies, in het bijzonder die met betrekking tot veiligheid.
- Bewaar de gebruiksaanwijzing op een eenvoudig toegankelijke plaats aangezien u deze later nodig kunt hebben.
- Daarnaast dient u ook de andere documenten die bij uw product worden geleverd te lezen.
- Let erop dat deze gebruiksaanwijzing ook voor andere modellen kan gelden.

## Symbolen en hun beschrijvingen

Deze instructiehandleiding bevat de volgende symbolen:

-  Belangrijke informatie of nuttige gebruikstips.
-  Waarschuwing tegen gevaarlijke omstandigheden voor leven en eigendommen.
-  Waarschuwing tegen elektrische spanning.



## **WAARSCHUWING!**

U moet de volgende regels in acht nemen om de normale werking van uw koelkast, die het volledig milieuvriendelijke koelmiddel R600a gebruikt, te verzekeren:

- Hinder de vrije luchtcirculatie rond het toestel niet.
- Gebruik geen andere mechanische toestellen om het ontdooien te versnellen dan de toestellen die door de fabrikant worden aangeraden.
- Vernietig het koelcircuit niet.
- Gebruik geen andere elektrische toestellen in de bewaarlade voor etenswaren dan de toestellen die eventueel door de fabrikant worden aangeraden.

## Recyclage



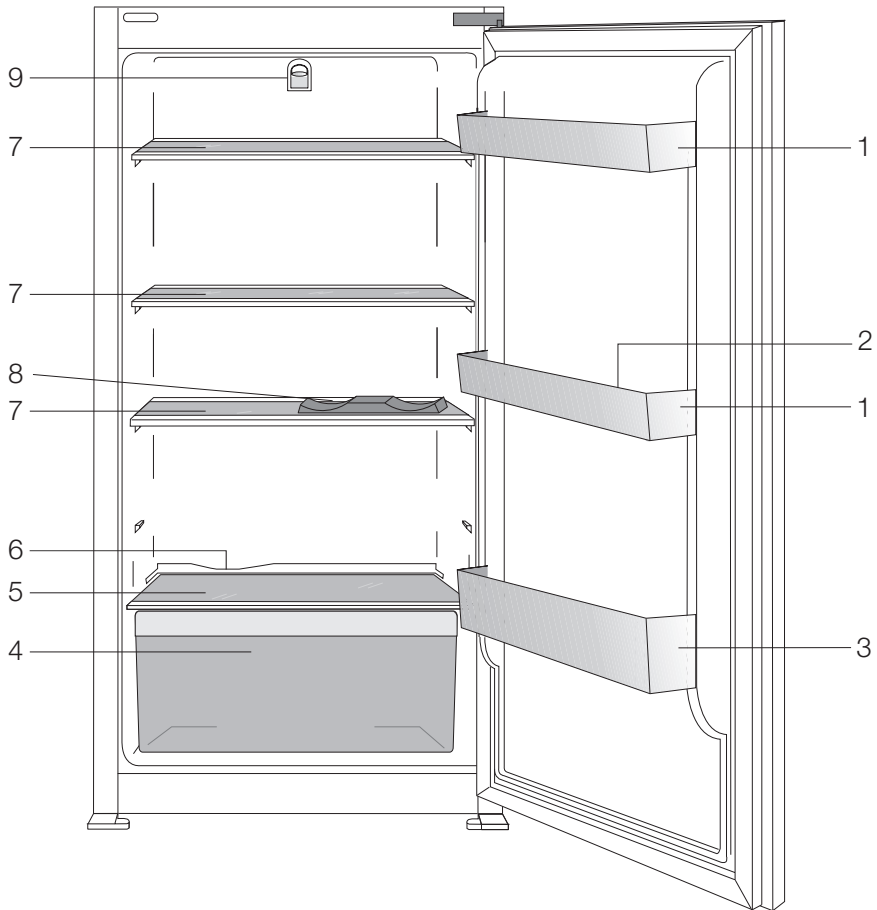
Dit product bevat het symbool voor selectief sorteren van afval van elektrische uitrustingen en elektronica (WEEE).

Dit betekent dat dit product moet worden gehanteerd overeenkomstig de Europese richtlijn 2002/96/EC ten einde te worden gerecycleerd of gedemonteerd om de impact op het milieu te minimaliseren. Voor meer informatie, neem a.u.b. contact op met uw plaatselijke of regionale overheid.

Elektronische producten die niet selectief gesorteerd worden, zijn potentieel gevaarlijk voor het milieu en de gezondheid van de mens omwille van de aanwezigheid van gevaarlijke stoffen.

<b>1 Uw koelkast</b>	<b>3</b>	<b>4 Voorbereiding</b>	<b>10</b>
<b>2 Belangrijke veiligheidswaarschuwingen</b>	<b>4</b>	<b>5 Gebruik van uw koelkast</b>	<b>11</b>
Bedoeld gebruik .....	4	De werkingstemperatuur instellen .....	11
Algemene veiligheid .....	4	Gebruik van de binnengedeelten .....	11
Kinderbeveiliging .....	5	Koelen .....	11
HCA-waarschuwing.....	6	Ontdooien .....	12
Aanwijzingen ter besparing van energie ...	6	Uw product uitschakelen .....	12
		Houder fles .....	12
<b>3 Installatie</b>	<b>7</b>	<b>6 Onderhoud en reiniging</b>	<b>13</b>
Punten waarop gelet moet worden bij de verplaatsing van een koelkast .....	7	Bescherming van de plastic oppervlakken .....	13
Voordat u de koelkast inschakelt, .....	7		
Elektrische aansluiting .....	7		
Afvoeren van de verpakking.....	8		
Afvoeren van uw oude koelkast .....	8		
Plaatsing en installatie.....	8		
Het binnenlichtje vervangen .....	8		
De deuren omkeren .....	9		
		<b>7 Aanbevolen oplossingen voor problemen</b>	<b>14</b>

# 1 Uw koelkast



- |    |                          |    |                                    |
|----|--------------------------|----|------------------------------------|
| 1. | Verstelbare deurschappen | 6. | Afvoerkanal dooiwater - afvoerpijp |
| 2. | Eierrek                  | 7. | Verplaatsbare schappen             |
| 3. | Flessenrekken            | 8. | Houder fles                        |
| 4. | Groentelade              | 9. | Binnenverlichting en thermostaat   |
| 5. | Deksel groentelade       |    |                                    |

**i** De afbeeldingen in deze gebruiksaanwijzing zijn schematisch en hoeven niet exact met uw product overeen te komen. Wanneer onderdelen niet tot het product behoren dat u hebt gekocht, gelden deze voor andere modellen.

## 2 Belangrijke veiligheids waarschuwingen

Gelieve de volgende informatie goed te bestuderen. Niet-inachtneming van deze informatie kan verwondingen of materiële schade veroorzaken. In dat geval worden alle garanties en betrouwbaarheids engagementsen ongeldig.

De originele onderdelen worden beschikbaar gehouden gedurende een periode van 10 jaar vanaf de aankoopdatum.

### Bedoeld gebruik

Dit product is bedoeld om te worden gebruikt:

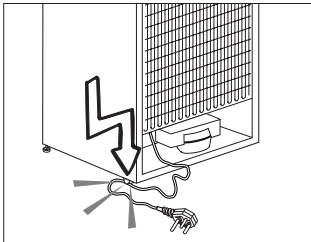
- binnen en in gesloten omgevingen zoals huizen;
- in gesloten werkomgevingen zoals kantoren en winkels;
- in gesloten accommodatieomgevingen zoals boerderijen, hotels, pensions.
- Het toestel mag niet buitenshuis worden gebruikt.

### Algemene veiligheid

- Wanneer u het product wenst af te voeren, raden wij u aan de bevoegde onderhoudsdienst te raadplegen om de benodigde informatie en bevoegde instanties te leren kennen.
- Raadpleeg uw bevoegde onderhoudsdienst voor alle vragen en problemen met betrekking tot de koelkast. Voer geen ingrepen aan de koelkast uit en laat dit ook niet door iemand anders doen zonder de bevoegde onderhoudsdienst op de hoogte te stellen.
- Voor producten met een diepvriesvak; Eet geen ijs of ijsblokjes meteen nadat u deze uit het diepvriesvak heeft gehaald. (Dit kan bevriezing in uw mond veroorzaken.)
- Voor producten met een diepvriesvak; Plaats geen flessen of blikjes met vloeibare dranken in het diepvriesvak. Deze zouden kunnen barsten.
- Raak ingevroren levensmiddelen niet met de hand aan; deze kunnen aan uw hand vastplakken.
- Verwijder de stekker uit uw koelkast voor u deze reinigt of ontdooit.

- Bij het schoonmaken en ontdooien van de koelkast mogen geen stoom en stoomreinigers gebruikt worden. De stoom kan in contact komen met de elektrische onderdelen en kortsluiting of een elektrische schok veroorzaken.
- Gebruik geen onderdelen van uw koelkast zoals de deur als steun of opstapje.
- Gebruik geen elektrische apparaten binnen in de koelkast.
- Beschadig de onderdelen, waar de koelvloeistof circuleert, niet door boor- of snijgereedschap. De koelvloeistof kan naar buiten geblazen worden wanneer de gasleidingen van de verdamper, leidingverlengingen of oppervlaktecoatings worden doorboord en dit kan huidirritatie en oogletsel veroorzaken.
- Dek of blokkeer de ventilatieopeningen van uw koelkast met geen enkel materiaal.
- Elektrische toestellen mogen enkel door bevoegde personen worden hersteld. Reparaties die door onbevoegde personen worden uitgevoerd kunnen een risico voor de gebruiker opleveren.
- Sluit in geval van storing of tijdens onderhouds- of reparatiewerken de stroomtoevoer van de koelkast af door de zekering eruit te draaien of de stekker van het apparaat eruit te trekken.
- Bij het uittrekken van de stekker deze niet aan de kabel uittrekken.
- Plaats alcoholische dranken goed afgesloten en verticaal.
- Bewaar nooit spuitbussen met een ontvlambare of explosieve inhoud in de koelkast.
- Gebruik geen andere mechanische gereedschappen of andere middelen om het ontdooiproces te versnellen dan deze aangeraden door de fabrikant.
- Dit product is niet bestemd voor gebruik door personen met een fysieke, zintuiglijke of mentale stoornis of ongeschoolde of onervaren mensen (inclusief kinderen) tenzij deze worden bijgestaan door een persoon die verantwoordelijk is voor hun veiligheid of die hen dienovereenkomstig instructies geeft bij het gebruik van het product.
- Gebruik geen beschadigde koelkast. Neem contact op met de dealer als u vragen heeft.

- Elektrische veiligheid van uw koelkast wordt alleen gegarandeerd wanneer het aardingssysteem in uw huis aan de normen voldoet.
- Blootstelling van het product aan regen, sneeuw, zon en wind is gevaarlijk met betrekking tot de elektrische veiligheid.
- Neem contact op met een bevoegde dienst wanneer de stroomkabel beschadigd is om zo gevaar te voorkomen.
- Steek tijdens installatie nooit de stekker van de koelkast in de wandcontactdoos. Er bestaat een kans op overlijden of serieus letsel.
- Deze koelkast is enkel bestemd voor het bewaren van voedsel. Hij mag niet voor andere doeleinden worden gebruikt.
- Het label met technische specificaties bevindt zich aan de linkerwand binnenin de koelkast.
- Sluit je koelkast nooit aan op energiebesparende systemen; deze kunnen de koelkast beschadigen.
- Als er zich een blauwe lamp in uw koelkast bevindt, kijk hier dan niet voor een lange tijd in met het blote oog of met optische hulpmiddelen. Wacht minstens 5 minuten met het inschakelen van de koelkast na stroomuitval bij manueel bediende koelkasten.
- Deze gebruikershandleiding moet aan de nieuwe eigenaar van het toestel gegeven worden wanneer het toestel doorgegeven wordt.
- Vermijd schade aan de stroomkabel bij transport van de koelkasten. De kabel plooiën kan vuur veroorzaken. Plaats geen zware voorwerpen op de stroomkabel.



- Raak de stekker niet aan met natte handen wanneer deze in het stopcontact wordt geplaatst.

- Plaats de stekker van de koelkast niet in het stopcontact als dit stopcontact los is.
- Er mag om veiligheidsredenen geen water rechtstreeks op de binnen- of buitendelen van het toestel gesproeid worden.
- Sproei geen stoffen met ontvlambare gassen zoals propaangas dichtbij de koelkast om gevaar op vuur en ontploffing te voorkomen.
- Plaats geen containers gevuld met water op de koelkast; dit kan bij morsen elektrische schokken of vuur veroorzaken.
- Laad de koelkast niet te vol met voedsel. Indien de koelkast overladen is, kan voedsel naar beneden vallen bij het openen en u kwetsen of de koelkast beschadigen.
- Plaats geen objecten op de koelkast; deze kunnen naar beneden vallen wanneer u de deur open of dicht doet.
- Producten die een nauwkeurige temperatuurregeling nodig hebben (vaccins, hittegevoelige medicatie, wetenschappelijke materialen, enz.) mogen niet in koelkast bewaard worden.
- De koelkast moet worden losgekoppeld indien deze langdurig niet wordt gebruikt. Een mogelijk probleem met de stroomkabel kan vuur veroorzaken.
- Het uiteinde van de stekker moet regelmatig worden gereinigd met een droge doek, anders kan deze brand veroorzaken.
- De koelkast kan bewegen als de stelvoetjes niet juist op de vloer worden vastgezet. De stelvoetjes juist vastzetten op de vloer kan voorkomen dat de koelkast beweegt.
- Hef de koelkast niet aan het handvat bij verplaatsing. Anders breekt het.
- Als u het product naast een andere koelkast of diepvriezer plaatst, moet de afstand hiertussen minstens 8 cm zijn. Anders kunnen aaneensluitende zijwanden nat worden.

## Kinderbeveiliging

- Indien de deur een slot heeft, moet de sleutel buiten het bereik van kinderen worden gehouden.
- Kinderen moeten onder toezicht staan om te voorkomen dat ze met het product knoeien.

## HCA-waarschuwing

### Als het koelsysteem van uw product R600a bevat:

Dit gas is ontvlambaar. Zorg daarom tijdens gebruik en transport dat het koelsysteem en de leidingen niet beschadigd raken. In het geval van schade: houd uw product weg van mogelijke ontstekingsbronnen die kunnen veroorzaken dat het product vuur vat en ventileer de ruimte waarin de unit is geplaatst.

### Negeer deze waarschuwing als het koelsysteem van uw product R134a bevat.


Het type gas dat in dit product wordt gebruikt staat vermeld op de type-etiket aan de linkerwand binnenin de koelkast. Gooi het product nooit in vuur voor verwijdering.

## Aanwijzingen ter besparing van energie

- Houd de deuren van uw koelkast niet lang open.
- Plaats geen warme levensmiddelen of dranken in de koelkast.
- Overlaad de koelkast niet zodat luchtcirculatie aan de binnenzijde niet geblokkeerd wordt.
- Plaats de koelkast niet in direct zonlicht of naast warmteafgevend apparaten zoals een oven, vaatwasser of radiator. Houd uw koelkast minstens 30 cm verwijderd van warmteafgevend bronnen en minstens 5 cm van elektrische ovens.
- Bewaar uw levensmiddelen in gesloten bakjes.
- Voor producten met een diepvriesvak; U kunt een maximale hoeveelheid voedsel in de diepvries bewaren wanneer u de schappen of lade uit de diepvries verwijdert. De waarde voor energieconsumptie van uw diepvries werd vastgesteld door verwijdering van de diepvries schappen of laden en onder de maximum hoeveelheid. Er bestaat geen risico bij het gebruik van een schap of lade volgens de vorm en grootte van het in te vriezen voedsel.
- Bevroren voedsel in het koelgedeelte ontdooien laat toe om energie te besparen en behoudt de voedselkwaliteit.



### 3 Installatie

 Indien de informatie die in deze gebruikershandleiding wordt gegeven, niet wordt opgevolgd, is de fabrikant in geen geval aansprakelijk.

#### **Punten waarop gelet moet worden bij de verplaatsing van een koelkast**

1. Uw koelkast moet van de stroom zijn afgesloten. Voor het vervoer van uw koelkast moet deze leeg zijn gemaakt en gereinigd.
2. Voordat deze wordt verpakt, moeten schappen, accessoires, groentelade, enz. in de koelkast worden vastgemaakt met tape en beschermd zijn tegen stoten. De verpakking dient met dikke tape of geschikt touw worden ingebonden en de vervoerregels op de verpakking dienen strikt te worden nageleefd.
3. Originele verpakking en schuimmaterialen moeten worden bewaard voor toekomstig transport of verhuizen.

#### **Voordat u de koelkast inschakelt**

Controleer het volgende voordat u uw koelkast gaat gebruiken:


1. De binnenzijde van de koelkast schoon is en de luchtcirculatie aan de achterzijde vrij kan plaatsvinden?
2. Maak de binnenkant van de koelkast schoon, zoals aanbevolen in het hoofdstuk "Onderhoud en reiniging".

3. Sluit de stekker van de koelkast aan op het stopcontact. Als de koelkastdeur wordt geopend, gaat de binnenverlichting van de koelkast aan.
4. Als de compressor begint te draaien, komt er een geluid vrij. De vloeistof en de gassen die zich in het koelsysteem bevinden, zouden ook wat lawaai kunnen veroorzaken zelfs wanneer de compressor niet werkt. Dit is normaal.
5. De buitenkant van de koelkast kan warm aanvoelen. Dit is normaal. Deze oppervlakken zijn bedoeld om warm te worden om condensvorming te voorkomen.

#### **Elektrische aansluiting**

Sluit uw apparaat aan op een geaard stopcontact, beschermd door een zekering met de juiste capaciteit. Belangrijk:

- De aansluiting moet in naleving zijn met nationale voorschriften.
- De stroomstekker moet na installatie eenvoudig bereikbaar zijn.
- Elektrische veiligheid van uw koelkast wordt alleen gegarandeerd wanneer het aardingssysteem in uw huis aan de normen voldoet.
- Het voltage op het etiket dat zich links binnenin uw product bevindt moet gelijk zijn aan uw netstroomvoltage.
- **Verlengkabels en verdeelstekkers mogen voor aansluiting niet worden gebruikt.**

 Een beschadigde stroomkabel moet door een gekwalificeerd elektricien worden vervangen.

 Het product mag niet in werking worden gesteld voordat het gerepareerd is! Er bestaat anders gevaar op een elektrische schok!

## Afvoeren van de verpakking

De verpakkingsmaterialen kunnen gevaarlijk zijn voor kinderen. Houd het verpakkingsmateriaal buiten bereik van kinderen of voer deze af conform afvalinstructies zoals bepaald door uw lokale autoriteiten. Gooi het niet weg met het normale huishoudafval, maar maak gebruik van ophaalplaatsen voor verpakkingen die door lokale autoriteiten zijn aangewezen.

De verpakking van uw koelkast is vervaardigd uit herbruikbare materialen.

## Afvoeren van uw oude koelkast

Voer uw oude koelkast af zonder het milieu op enige wijze te schaden.

- U kunt uw bevoegde dealer of het afvalcentrum van uw gemeente raadplegen over het afvoeren van uw koelkast.

Voordat u uw koelkast afvoert, snijd de elektrische stekker af. Indien het apparaat is uitgevoerd met deursluitingen, dit slot dan onbruikbaar maken om kinderen tegen gevaar te beschermen.

## Plaatsing en installatie

⚠ Als de toegangsdeur van de kamer waarin de koelkast wordt geïnstalleerd niet breed genoeg is voor de koelkast om erdoor te passen, bel dan de bevoegde dienst zodat deze de deuren van uw koelkast kan verwijderen en de koelkast zijdelings door de deur kan.

1. Installeer uw koelkast op een plaats waar deze gemakkelijk kan worden gebruikt.
2. Houd uw koelkast uit de buurt van warmtebronnen, vochtige plaatsen en direct zonlicht.

3. Er moet geschikte luchtventilatie rond uw koelkast zijn om een efficiënte werking te verkrijgen. Als de koelkast in een uitsparing in de muur wordt geplaatst, moet er minstens 5 cm afstand zijn ten opzichte van het plafond en minstens 5 cm ten opzichte van de muur. Plaats uw product niet op materialen zoals een kleden of vloerbedekking.
4. Plaats uw koelkast op een vlak vloeroppervlak om schokken te vermijden.
5. Plaats uw koelkast niet in omgevingstemperaturen onder 10°C.

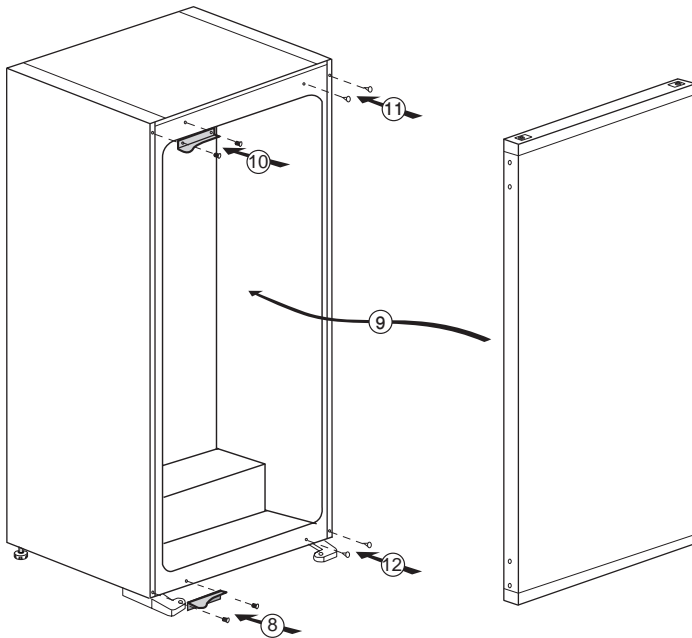
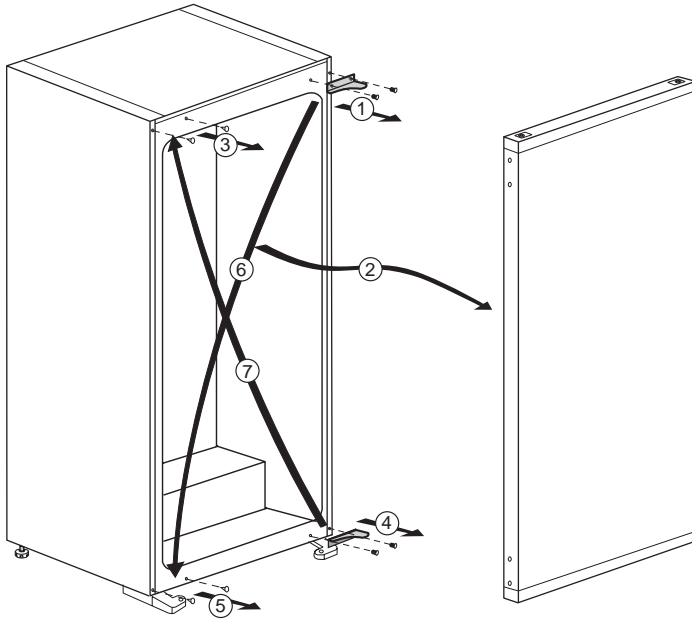
## Het binnenlichtje vervangen

Om de lamp/led voor de binnenvlichting van uw koelkast te vervangen, bel uw bevoegde onderhoudsdienst. De lamp of lampen voorzien in dit apparaat mogen niet worden gebruikt voor de verlichting van huishoudelijke ruimten. Het beoogde gebruik van deze lamp is de gebruiker te helpen etenswaren op veilige en comfortabele wijze in de koelkast/diepvriezer te plaatsen.

De lampen die in dit apparaat worden gebruikt moeten bestendig zijn tegen extreme fysieke omstandigheden, zoals temperaturen beneden de -20°C.

## De deuren omkeren

Ga verder in numerieke volgorde.



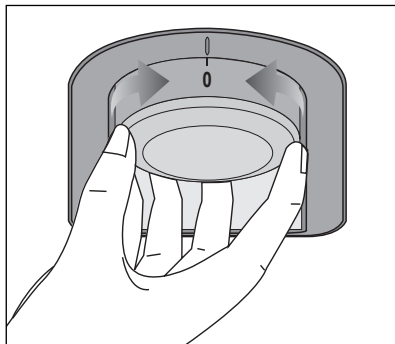
## 4 Voorbereiding

---

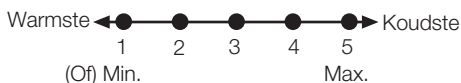
- i** Uw koelkast moet worden geïnstalleerd op minstens 30 cm afstand van warmtebronnen zoals kookplaten, centrale verwarming en kachels en op minstens 5 cm afstand van elektrische ovens. De koelkast mag niet in direct zonlicht worden geplaatst.
- i** De omgevingstemperatuur van de kamer waarin u de koelkast installeert dient minstens 10°C te zijn. In verband met efficiëntie wordt gebruik van uw koelkast in koudere omstandigheden niet aanbevolen.
- i** Controleer of de binnenzijde van uw koelkast volledig schoon is.
- i** Bij installatie van twee koelkasten naast elkaar, moeten de koelkasten op een afstand van minstens 2 cm van elkaar worden geplaatst.
- i** Wanneer u de koelkast voor de eerste keer in gebruik neemt, gelieve tijdens de eerste zes uur de volgende instructies in acht te nemen.
  - De deur niet regelmatig openen.
  - Koelkast moet in bedrijf gesteld worden zonder levensmiddelen.
  - De stekker van de koelkast niet uittrekken. Indien zich een stroomstoring voordoet buiten uw macht, zie de waarschuwingen in het deel "Aanbevolen oplossingen voor problemen".
- i** Originele verpakking en schuimmaterialen moeten worden bewaard voor toekomstig transport of verhuizen.

## 5 Gebruik van uw koelkast

### De werkingstemperatuur instellen



De werkingstemperatuur wordt geregeld via de temperatuursturing.



**1 = Laagste koelinstelling (Warmste instelling)**

**5 = Hoogste koelinstelling (Koudste instelling)**

(Of)

**Min. = Laagste koelstand**

(Warmste instelling)

**Max. = Hoogste koelstand**

(Koudste instelling)

De gemiddelde koelkasttemperatuur moet ongeveer +5°C bedragen.

Kies een stand afhankelijk van de gewenste temperatuur.

Merk op dat er in het koelgebied verschillende temperaturen zijn.

Het koudste gedeelte bevindt zich onmiddellijk boven het groentevak.

De binnentemperatuur hangt ook af van de omgevingstemperatuur, hoe vaak de deur geopend wordt en de hoeveelheid voedsel die in de koelkast bewaard wordt.

Wanneer u de deur vaak opent, stijgt de temperatuur in de koelkast. Het is daarom raadzaam om de deur na elk gebruik zo snel mogelijk te sluiten.

### Gebruik van de binnengedeelten

Verplaatsbare schappen: De afstand tussen de schappen kan indien gewenst worden aangepast.

Groentelade: Groenten en fruit kunnen in dit gedeelte worden geplaatst en gedurende langere tijd worden bewaard.

Flessenrek: In dit rek kunnen flessen, potten en blikjes worden bewaard.

### Koelen

#### Bewaren van voedsel

Het koelkastgedeelte dient voor het bewaren van verse etenswaren en dranken.

Bewaar melkproducten in het daartoe bedoelde vak in de koelkast.

Flessen kunnen in de flessenhouder worden gezet of in het flessenvak van de deur.

Rauw vlees kan het best worden bewaard in een polyethyleen zak onderaan in de koelkast.

Laat hete voedingswaren en dranken eerst afkoelen tot kamertemperatuur voor u ze in de koelkast plaatst.

- Let op

Bewaar geconcentreerde alcohol enkel rechtopstaand en goed afgesloten.

- Let op

Bewaar geen explosieve bestanddelen of containers met ontvlambaar drijfgas (slagroomverdelers, spuitbussen, enz.) in het apparaat. Er bestaat een kans op explosie.

## Ontdooien

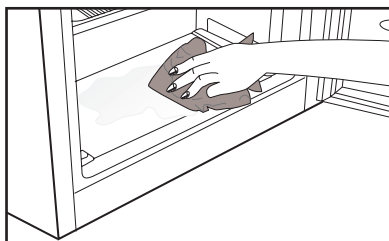
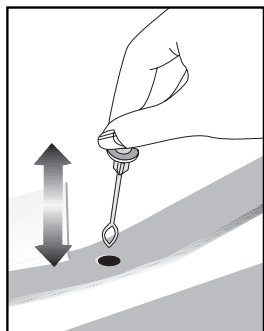
Het koelkastgedeelte ontdooit automatisch.

Het dooiwater stroomt door het afvoerkanaal in een verzamelcontainer aan de achterzijde van het apparaat.

Tijdens het ontdooien kunnen waterdruppels worden gevormd aan de achterzijde van de koelkast. Dit komt van de verdampers.

Indien niet alle druppels naar beneden zakken, kunnen ze na het ontdooiproces opnieuw aanvriezen. Verwijder ze met een doek gedrenkt in lauwwarm water. Gebruik nooit een hard of een scherp voorwerp.

Controleer de doorstroming van het dooiwater regelmatig. De opening kan soms verstopt raken.



## Uw product uitschakelen

Als uw thermostaat is uitgerust met de stand "0":

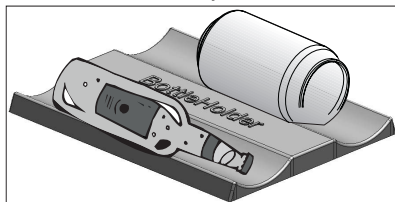
- Uw product stopt met werken wanneer u de thermostaatknop naar de stand "0" (nul) draait. Uw product zal pas weer starten wanneer u de thermostaatknop naar de stand "1" of naar een van de andere standen draait.

Als uw thermostaat is uitgerust met de stand "min":











- Trek de stekker van uw product uit het stopcontact om het uit te schakelen.

## Houder fles


Deze accessoire kunt u gebruiken voor het bewaren flessen of blikjes naast elkaar.



## 6 Onderhoud en reiniging

-  Gebruik nooit benzine, benzeen of gelijksoortige substanties voor het reinigingswerk.
-  Wij bevelen aan dat u de stekker uit het toestel trekt voordat u met reinigen begint.
-  Gebruik nooit scherpe voorwerpen, zeep, huishoudproducten, afwasmiddel of boenwas om te poetsen.
-  Gebruik lauwwarm water om de kast van uw koelkast schoon te maken en wrijf deze droog.
-  Gebruik een vochtige doek, uitgewrongen in een oplossing van één koffielepel natriumbicarbonaat voor 50 cl water, om de binnenkant schoon te maken en wrijf vervolgens droog.
-  Zorg ervoor dat er geen water in de lamp en andere elektrische onderdelen binnensijpelt.
-  Als uw koelkast voor een lange periode niet zal worden gebruikt, trek dan de stroomkabel uit, verwijder alle etenswaren, maak de koelkast schoon en laat de deur op een kier staan.
-  Kijk de deurgrendels regelmatig na om u ervan te overtuigen dat ze schoon en vrij van etensresten zijn.
-  Om deurroosters te verwijderen, verwijder de inhoud en druk het deurrooster vervolgens eenvoudigweg naar boven vanaf de basis.
-  Gebruik nooit reinigingsmiddelen of water dat chloor bevat om de buitenkant en de verchromde onderdelen van het product te reinigen. Chloor veroorzaakt corrosie op dergelijke metalen oppervlakken.

### Bescherming van de plastic oppervlakken

-  Plaats geen vloeibare olie of in olie bereide maaltijden in uw koelkast in onafgedichte bakjes. Deze kunnen de plastic oppervlakken van uw koelkast beschadigen. Mocht u olie morsen op de kunststof oppervlakken, reinig dit deel van het oppervlak dan direct met warm water en spoel af.

## 7 Aanbevolen oplossingen voor problemen

Controleer de volgende punten voordat u de onderhoudsdienst belt. Dit kan u tijd en geld besparen. Deze lijst omvat regelmatige klachten die niet voortkomen uit defect vakmanschap of materiaalgebruik. Het is mogelijk dat bepaalde functies die hier beschreven zijn niet tot uw product behoren.

### De koelkast werkt niet.

- Zit de stekker van de koelkast goed in het stopcontact? Steek de stekker in het stopcontact.
- Is de zekering van het stopcontact waarop de koelkast is aangesloten of de hoofdzekering gesprongen? Controleer de zekering.

### Condensvorming langs de wand van het koelgedeelte (MULTI ZONE, COOL CONTROL en FLEXI ZONE).

- Zeer koude omgevingsomstandigheden. Regelmatig openen en sluiten van de deur.
- Zeer vochtige omgevingsomstandigheden. Bewaren van levensmiddelen met vloeistof in open bakjes. De deur staat op een kier. Zet de thermostaat kouder.
- Zorg dat de deur minder lang open staat of dat deze minder vaak wordt geopend.
- Dek de eetwaar die in open bakjes wordt bewaard af met een daarvoor geschikt materiaal.
- Veeg condens af met een droge doek en controleer of condensvorming aanhoudt.

### De compressor draait niet.

- Thermische bescherming van de compressor kan springen gedurende plotselinge stroomuitval of afsluiting van de stroomtoevoer wanneer de druk van het koelmiddel in het koelsysteem van de koelkast niet in balans is. De koelkast gaat na ongeveer 6 minuten draaien. Neem contact op met de onderhoudsdienst wanneer uw koelkast na deze periode niet start.
- De koelkast zit in een ontdooicyclus. Dit is normaal voor een volledig automatisch ontdooiende koelkast. Ontdooicyclus vindt periodiek plaats.
- De stekker van uw koelkast steekt niet in het stopcontact. Zorg ervoor dat de stekker correct in het stopcontact is gestoken.
- Zijn de temperatuurinstellingen goed ingesteld?
- De stroom werd mogelijk onderbroken.



#### De koelkast werkt frequent of gedurende lange tijd.

- Uw nieuwe product kan breder zijn dan de vorige. Dit is normaal. Grote koelkasten werken gedurende langere tijd.
- De omgevingstemperatuur kan hoog zijn. Dit is normaal.
- De stekker van de koelkast kan onlangs ingestoken zijn of de koelkast kan zijn volgeladen met etenswaren. Het compleet afkoelen van de koelkast kan enkele uren langer in beslag nemen.
- Grote hoeveelheden warme levensmiddelen kunnen recentelijk in de koelkast zijn geplaatst. Warme levensmiddelen maken dat de koelkast langer werkt tot deze eetwaar de veilige bewaartemperatuur heeft bereikt.
- Deuren kunnen regelmatig geopend zijn of gedurende enige tijd op een kier hebben gestaan. De warme lucht die in de koelkast is binnengekomen maakt dat de koelkast langer werkt. Open de deuren minder vaak.
- De deur van het diepvries- of koelgedeelte kan op een kier hebben gestaan. Controleer of de deuren goed gesloten zijn.
- De koelkast is zeer koud ingesteld. Stel de koelkasttemperatuur hoger en wacht tot de temperatuur wordt bereikt.
- Deurafdichting van de koelkast of diepvriezer kan vuil, versleten, gebroken of niet goed geplaatst zijn. Maak de afdichting schoon of vervang deze. Een beschadigde/ gebroken afdichting maakt dat de koelkast langer moet werken om de huidige temperatuur te handhaven.

#### Diepvriestemperatuur is erg laag terwijl de koelkasttemperatuur voldoende is.

- De diepvriestemperatuur is zeer koud ingesteld. Stel de diepvriezertemperatuur hoger in en controleer.

#### Koelkasttemperatuur is erg laag terwijl de diepvries temperatuur voldoende is.

- De koelkasttemperatuur is mogelijk zeer koud ingesteld. Stel de koelkasttemperatuur hoger in en controleer.

#### Etenswaren die in laden van het koelgedeelte worden bewaard, bevroren.

- De koelkasttemperatuur is mogelijk zeer koud ingesteld. Stel de koelkasttemperatuur hoger in en controleer.

#### Temperatuur in de koelkast of diepvriezer is zeer hoog.

- De koelkasttemperatuur is mogelijk zeer warm ingesteld. Koelkastinstelling is van invloed op de temperatuur van de diepvriezer. Verander de temperatuur van de koelkast of diepvriezer totdat de temperatuur van de koelkast of diepvriezer het gewenste niveau bereikt.
- Deuren kunnen regelmatig geopend zijn of gedurende enige tijd op een kier hebben gestaan; doe ze minder vaak open.
- De deur is mogelijk op een kier blijven staan; doe de deur volledig dicht.
- Grote hoeveelheden warme levensmiddelen kunnen recentelijk in de koelkast zijn geplaatst. Wacht tot de koelkast of diepvriezer de gewenste temperatuur heeft bereikt.
- De koelkast kan recentelijk ingeschakeld zijn. Het kost tijd om de koelkast volledig te laten afkoelen.

Het werkingsgeluid neemt toe wanneer de koelkast werkt.
<ul style="list-style-type: none"> <li>De werking van de koelkast kan veranderen als gevolg van wijzigingen in de omgevingstemperatuur. Dit is normaal en geen defect.</li> </ul>
Vibratie of geluid.
<ul style="list-style-type: none"> <li>De vloer is niet gelijk of is zwak. De koelkast kantelt een beetje wanneer langzaam wordt bewogen. Zorg dat de vloer vlak vlak en sterk genoeg is om de koelkast te dragen.</li> <li>Het geluid kan worden veroorzaakt door voorwerpen die op de koelkast zijn geplaatst. Voorwerpen bovenop de koelkast moeten worden verwijderd.</li> </ul>
Een geluid van morsende of sprayende vloeistof komt uit de koelkast.
<ul style="list-style-type: none"> <li>Vloeistof- en gasstromen vinden plaats conform de werkingsprincipes van uw koelkast. Dit is normaal en geen defect.</li> </ul>
Een geluid van wind die blaast.
<ul style="list-style-type: none"> <li>Er worden ventilatoren gebruikt om de koelkast te koelen. Dit is normaal en geen defect.</li> </ul>
Condens op de binnenwanden van de koelkast.
<ul style="list-style-type: none"> <li>Met warm en vochtig weer neemt ijs- en condensvorming toe. Dit is normaal en geen defect.</li> <li>De deuren kunnen op een kier hebben gestaan, zorg ervoor dat de deuren volledig gesloten zijn.</li> <li>Deuren kunnen regelmatig geopend zijn of gedurende enige tijd op een kier hebben gestaan; doe ze minder vaak open.</li> </ul>
Vocht aan de buitenkant van de koelkast of tussen de deuren.
<ul style="list-style-type: none"> <li>De lucht is mogelijk vochtig; dit is vrij normaal bij vochtig weer. Wanneer de vochtigheid minder wordt, zal de condens verdwijnen.</li> </ul>
Slechte geur binnenin de koelkast.
<ul style="list-style-type: none"> <li>De binnenkant van de koelkast moet gereinigd worden. Maak de binnenkant van de koelkast schoon met een spons met lauw of sodawater.</li> <li>Sommige bakjes of verpakkingsmaterialen kunnen de geur veroorzaken. Gebruik een ander bakje of ander soort verpakkingsmateriaal.</li> </ul>
De deur sluit niet.
<ul style="list-style-type: none"> <li>Het kan zijn dat voedselpakketjes veroorzaken dat de deur niet sluit. Verplaats de pakketjes die de deur belemmeren.</li> <li>De koelkast staat niet volledig waterpas op de vloer en wiebelt wanneer ze lichtjes wordt verplaatst. Stel de hoogteschroeven anders in.</li> <li>De vloer is niet gelijk of stevig. Zorg dat de vloer vlak is en de koelkast kan dragen.</li> </ul>
Groenteladen zitten vast.
<ul style="list-style-type: none"> <li>De levensmiddelen kunnen de bovenzijde van de lade raken. Herschik de levensmiddelen in de lade.</li> </ul>

## Prosimo, da najprej preberete navodila za uporabo!

Dragi kupec,

upamo, da bo naprava, ki je bila izdelana v modernih obratih in preizkušena z natančnimi postopki kakovosti, zagotovila učinkovito delovanje.


Zato priporočamo, da pred uporabo pazljivo preberete celotna navodila za uporabo naprave in jih hranite v bližini, saj jih boste morda potrebovali v prihodnje.


### Priročnik

- Priročnik vam bo pomagal pri hitri in varni uporabi naprave.
- Priročnik preberite preden napravo namestite in uporabite.
- Sledite navodilom, predvsem varnostnim.
- Priročnik hranite na lahko dosegljivem mestu, saj ga boste morda kasneje potrebovali.
- Poleg tega preberite tudi ostale dokumente, ki so priloženi napravi.
- Prosimo upoštevajte, da je priročnik lahko veljaven tudi za druge modele.

### Simboli in njihov opis

Navodila za uporabo vsebujejo naslednje simbole:

 Pomembne informacije in koristni nasveti za uporabo.

 Opozorila pred nevarnostmi za življenje in lastnino.

 Opozorila pred električno napetostjo.



### **OPOZORILO!**

Za normalno delovanje vaše zamrzovalne naprave, ki uporablja naravi prijazno hladilno sredstvo R600a (vnetljivo samo pod določenimi pogoji), je treba upoštevati naslednja pravila:

- Ne zadržujte prostega pretoka zraka okoli naprave.
- Za hitrejše odtajanje, ne uporabljajte mehanskih naprav, ki jih ni priporočil proizvajalec.
- Ne uničujte hladilnega krogotoka.
- V prostoru za hrano ne uporabljajte električnih naprav, ki jih ni priporočil proizvajalec.

### Recikliranje



Izdelek vsebuje izbirni sortirni simbol za odpadno električno in elektronsko opremo (OEEO).

To pomeni, da je treba z izdelkom ravnati v skladu z Evropsko direktivo 2002/96/ES in ga reciklirati ali demontirati tako, da se zmanjša vpliv na okolje. Za nadaljnje informacije se prosimo obrnite na lokalne ali regionalne oblasti.

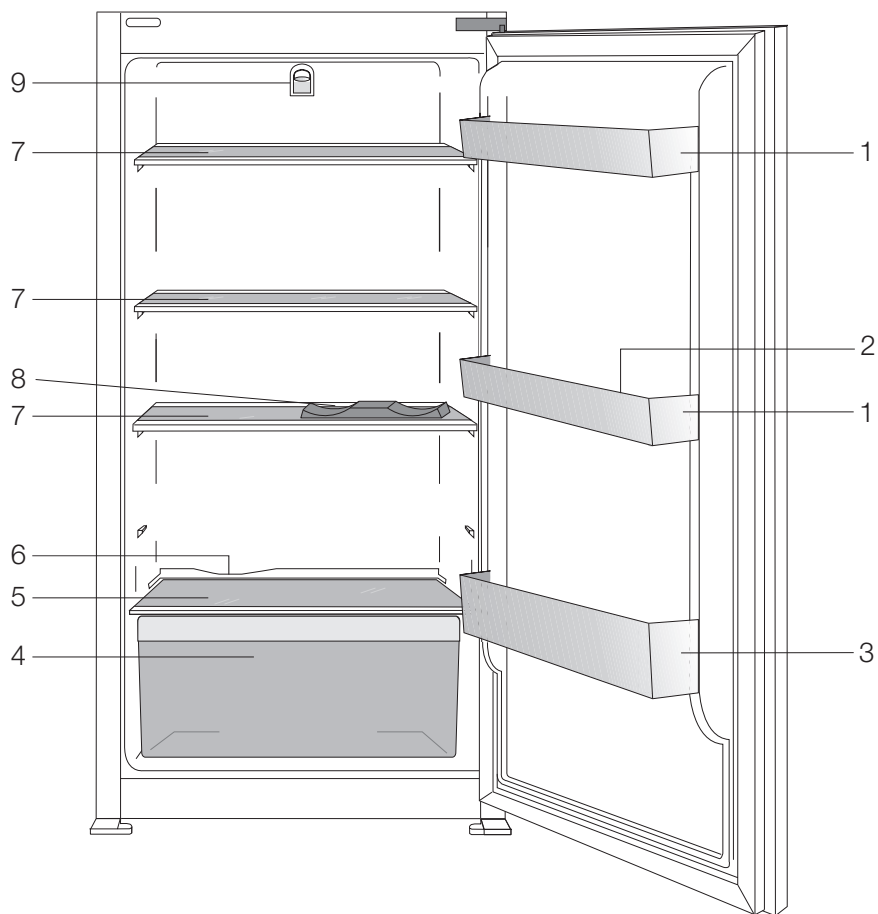
Elektronski izdelki, ki niso vključeni v selektivni sortirni proces so potencialno nevarni za okolje in človeško zdravje zaradi prisotnosti nevarnih substanc.

## VSEBINA

---

<b>1 Vaš hladilnik</b>	<b>3</b>	<b>4 Priprava</b>	<b>10</b>
<b>2 Pomembna varnostna opozorila</b>	<b>4</b>	<b>5 Uporaba hladilnika</b>	<b>11</b>
Namen uporabe .....	4	Nastavljanje delovne temperature .....	11
Splošna varnost .....	4	Uporaba notranjih delov .....	11
Za naprave z dispenzerjem za vodo .....	6	Hlajenje .....	11
Varnost otrok .....	6	Odtajanje .....	12
Opozorilo HCA .....	6	Zaustavitev naprave .....	12
Varčevanje z energijo .....	6	Steklenica in lahko stojalo .....	12
<b>3 Namestitev</b>	<b>7</b>	<b>6 Vzdrževanje in čiščenje</b>	<b>13</b>
Napotki, ki jih je treba upoštevati ob ponovnem prevozu hladilnika .....	7	Zaščita plastičnih površin .....	13
Pred uporabo hladilnika .....	7	<b>7 Priporočljive rešitve za težave</b>	<b>14</b>
Električna povezava .....	7		
Odstranjevanje embalaže .....	8		
Odstranjevanje starega hladilnika .....	8		
Namestitev in montaža .....	8		
Zamenjava notranje žarnice .....	8		
Obrniti vrata .....	9		

# 1 Vaš hladilnik



- |                                  |  |
|----------------------------------|--|
| 1. Nastavljive police na vratih  | 6. Zbiralni kanal odtaljene vode - Cev za izpust |
| 2. Pladenj za jajca              | 7. Premične police                               |
| 3. Police za steklenice          | 8. Steklenica in lahko stojalo                   |
| 4. Predel za sveža živila        | 9. Žarnica in ohišje termostata                  |
| 5. Pokrov predala za svežo hrano |  |

**i** Slike v navodilih za uporabo so shematske in morda ne ustrezajo vašemu proizvodu. Če naprava, ki ste jo kupili, ne vsebuje določenih delov, so veljavni za druge modele.

## 2 Pomembna varnostna opozorila

Prosimo, preglejte naslednje informacije. Če ne boste upoštevali teh informacij, lahko pride do telesnih poškodb ali poškodb materiala. V nasprotnem primeru garancija in zanesljivost nista veljavni.

### Namen uporabe

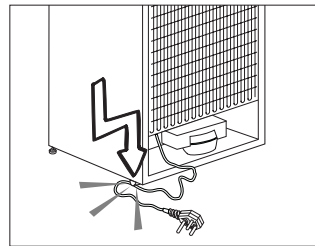
Naprava je namenjena uporabi:

- znotraj in v zaprtih prostorih, kot so domovi;
- v zaprtih delovnih prostorih kot so trgovine ali pisarne;
- v zaprtih prostorih za nastanitev, kot so kmetije, hoteli, penzioni.
- Naprave ne uporabljajte na prostem.

### Splošna varnost

- Ko želite proizvod odstraniti/odvreči, Vam priporočamo, da se posvetujete s pooblaščen servisno službo in organi, da pridobite potrebne informacije.
- Pri morebitnih vprašanjih ali težavah s hladilnikom se posvetujte s pooblaščen servisno službo. Brez sporočila pooblaščen servisni službi ne posegajte v hladilnik sami ali s tujo pomočjo.
- Za naprave z zamrzovalnim delom; Sladoleda in ledenih kock ne jejte takoj, ko jih vzamete iz zamrzovalnega dela! (Povzročijo lahko ozeblino v ustih.)
- Za naprave z zamrzovalnim delom; V zamrzovalnem delu ne shranjujte tekočin v steklenicah ali pločevinkah. V nasprotnem primeru lahko počijo.
- Zamrznjenih živil se ne dotikajte z rokami, saj lahko primrznejo.
- Pred čiščenjem ali odtajanjem hladilnik izključite iz električnega omrežja.
- Hladilnika nikoli ne čistite in odtajajte s paro ali parnimi čistilnimi sredstvi. Para lahko pride v stik z električnimi deli in povzroči kratki stik ali električni udar.
- Delov hladilnika kot so vrata nikoli ne uporabljajte kot opornike ali stopnico.
- V hladilniku ne uporabljajte električnih naprav.
- Delov, kjer hladilno sredstvo kroži, ne poškodujte z napravami za vrtanje ali rezanje. Če se plinski kanali izparilnika, podaljški cevi ali površinske prevleke prebodejo, lahko hladilno sredstvo prodre in povzroči draženje kože ali poškodbe oči.
- Ne pokrivajte ali blokirajte zračnih odprtin na hladilniku z nobenim materialom.
- Električne naprave lahko popravljajo samo pooblaščen osebe. Popravila, ki jih izvajajo nepooblaščen osebe, povzročijo nevarnost za uporabnika.
- V primeru kakršnekoli napake ali pred vzdrževalnimi deli in popravili obvezno izključite električno napajanje hladilnika tako, da izključite zadevno varovalko ali iztaknete vtič naprave.
- Ko izklopite vtič, ne vlecite za kabel.
- Koncentrirane alkoholne pijače hranite dobro zaprte in v pokončnem položaju.
- V hladilniku nikoli ne shranjujte razpršilcev, ki vsebujejo vnetljive in eksplozivne substance.
- Za pospeševanje postopka odtajanja ne uporabljajte mehanskih naprav ali drugih pripomočkov, razen tistih, ki jih priporoča proizvajalec.

- Naprave naj ne uporabljajo osebe s fizičnimi, senzornimi ali duševnimi motnjami ali osebe, ki nimajo potrebnega znanja oziroma izkušenj (vključno z otroki), razen če jih nadzira oseba, ki je odgovorna za njihovo varnost ali oseba, ki jim bo ustrezno svetovala glede uporabe naprave.
- Ne uporabljajte poškodovanega hladilnika. Če imate kakršne koli pomisleke, se obrnite na servisno službo.
- Električna varnost hladilnika je zagotovljena, le če ozemljitveni sistem v hiši ustreza standardom.
- Izpostavljanje proizvoda dežju, snegu, soncu ali vetru predstavlja električno nevarnost.
- Če je napetostni kabel poškodovan, se obrnite na pooblaščen servisno službo, da se izognete nevarnostim.
- Hladilnika med montažo nikoli ne vključite v vtičnico. V nasprotnem primeru obstaja nevarnost smrti ali resne poškodbe.
- Hladilnik je namenjen samo shranjevanju živil. Ne uporabljajte ga v druge namene.
- Etiketata s tehničnimi specifikacijami se nahaja na levi steni znotraj hladilnika.
- Hladilnika ne priključujte na sisteme varčevanja električne energije, saj ga lahko poškodujejo.
- Če je na hladilniku modra lučka, ne glejte vanjo skozi optične naprave.
- Pri hladilnikih z ročnim upravljanjem, počakajte vsaj 5 minut, preden ga po električnem izpadu ponovno priključite.
- Če napravo dobi nov lastnik, mu izročite tudi navodila za uporabo.
- Med prenašanjem hladilnika ne poškodujte napetostnega kabla. Upogibanje kabla lahko povzroči požar. Na napetostni kabel nikoli ne postavljajte težkih predmetov. Ko napravo priklapljate, se ne dotikajte vtiča z mokrimi rokami.
- Hladilnika ne priključujte v razrahljano vtičnico.
- Iz varnostnih razlogov na notranjih ali zunanjih delih naprave ne škropite vode.
- V bližini hladilnika ne pršite vnetljivih plinov, kot je propan, saj obstaja nevarnost požara ali eksplozije.
- Na hladilnik nikoli ne postavljajte posod z vodo, saj to lahko povzroči električni udar ali požar.
- Hladilnika ne preobremenjujte s prekomernimi količinami živil. Če je naprava prenapolnjena, lahko živila med odpiranjem vrat hladilnika padejo dol in vas poškodujejo ali povzročijo škodo na hladilniku. Na hladilnik nikoli ne postavljajte predmetov, saj lahko med odpiranjem ali zapiranjem vrat hladilnika padejo dol.



- Cepiv, zdravil, občutljivih na toploto, znanstvenih materialov itd. ne shranjujte v hladilnik, saj zahtevajo določeno temperaturo.
- Če hladilnika ne boste uporabljali dlje časa, ga izklopite. Težave v napetostnem kablu namreč lahko povzročijo požar.
- Konico vtiča je treba redno čistiti, saj lahko v nasprotnem primeru povzroči požar.
- Če nastavljive noge niso dobro nameščene na tleh, se hladilnik lahko premika. Če nastavljive noge dobro namestite na tla, lahko preprečite premikanje hladilnika.
- Med prenašanjem hladilnika ne držite za ročaje na vratih, saj jih lahko odtrgate.

- Če napravo namestite zraven drugega hladilnika ali zamrzovalnika, naj bo razdalja med napravami vsaj 8 cm. V nasprotnem primeru se lahko na sosednjih stenah naprav pojavi vlaga.

## Za naprave z dispenzerjem za vodo

- Pritisk vodovodnega omrežja naj bo vsaj 1 bar. Pritisk vodovodnega omrežja naj bo največ 8 barov.
- Uporabljajte samo pitno vodo.

## Varnost otrok

- Če imajo vrata ključavnico, jo hranite izven dosega otrok.
- Otroke je treba nadzirati, da se ne igrajo z napravo.

## Opozorilo HCA Če hladilni sistem naprave vsebuje R600a:

Ta plin je vnetljiv. Zato pazite, da med uporabo in transportom ne poškodujete hladilnega sistema in cevi. V primeru poškodbe, naj proizvod ne bo v bližini potencialnih virov ognja, ob katerih se lahko vname in prezračite prostor, v katerem je naprava.

## To opozorilo ne velja, če hladilni sistem vaše naprave vsebuje R134a.

Vrsta plina, ki ga vsebuje naprava, je navedena na tipski plošči na levi steni znotraj hladilnika.

Naprave nikoli ne sežgite, da bi se je znebili.

## Varčevanje z energijo

- Vrat hladilnika ne puščajte odprtih dalj časa.
- V hladilniku ne shranjujte toplih živil ali pijač.
- Hladilnika ne napolnite preobilno, saj s tem preprečite kroženje zraka.
- Hladilnika ne postavljajte na neposredno sočno svetlobo ali v bližino naprav, ki oddajajo toploto, kot so pečice, pomivalni stroji ali radiatorji.
- Živila shranjujte v zaprtih posodah.
- Za naprave z zamrzovalnim delom; v napravo lahko shranite največjo količino živil, če odstranite polico ali predal zamrzovalnika. Vrednost porabe energije se je določila, ko se je odstranila polica ali predal zamrzovalnika in je bila naprava napolnjena z največjo količino živil. Uporaba police ali predala glede na oblike in velikost živil, ki jih želite shraniti, ne predstavlja nevarnosti.
- Odtajanje zamrznjenih živil v hladilnem delu, bo privarčevalo energijo in ohranilo kakovost živil.



### 3 Namestitev

⚠ Proizvajalec ne bo odgovarjal, če ne boste upoštevali informacij v navodilih za uporabo.

#### Napotki, ki jih je treba upoštevati ob ponovnem prevozu hladilnika

1. Hladilnik morate izprazniti in očistiti pred vsakim prevozom.
2. Police, pripomočke, predale za sveža živila itd. v hladilniku pred ponovnim pakiranjem varno pritrdite z lepilnim trakom, da jih zaščitite pred sunki.
3. Embalažo pričvrstite z debelimi trakovi in močnimi vrvmi ter sledite navodilom za prevoz natisnjenih na embalaži.

#### Prosimo, ne pozabite ...

Vsak recikliran material je nujen vir za naravo in nacionalne vire.

Če želite sodelovati pri recikliranju embalažnega materiala, se za nadaljnje informacije obrnite na okoljske organe ali lokalne oblasti.

#### Pred uporabo hladilnika

Preden pričnete uporabljati hladilnik, preverite naslednje:

1. Ali je notranjost hladilnika suha in lahko zrak v zadnjem delu prosto kroži?
2. Notranjost hladilnika očistite kot je priporočeno v poglavju »Vzdrževanje in čiščenje«.

3. Hladilnik priključite v vtičnico električnega omrežja. Ko se vrata hladilnika odprejo, zasveti notranja luč hladilnega dela.
4. Ko se vklopi kompresor, boste zaslišali hrup. Tekočina in plini v hladilnem sistemu običajno lahko povzročijo hrup, tudi kadar kompresor ne deluje.
5. Sprednji robovi hladilnika so lahko topli na dotik. To je običajno. Te površine so oblikovane, tako da so tople, kar preprečuje kondenzacijo.

#### Električna povezava

Napravo priključite v ozemljeno vtičnico, ki je zaščitena z varovalko ustrezne zmogljivosti.

Pomembno:

- Priključitev mora ustrezati nacionalnim predpisom.
  - Vtič napajalnega kabla naj bo po namestitvi lahko dostopen.
  - Določena napetost mora ustrezati omrežni napetosti.
  - Za priključitev ne uporabljajte podaljševalnih kablov ali večpotnih vtičev.
- ⚠ Poškodovan napajalni kabel lahko zamenja le usposobljen električar.
- ⚠ Naprave ne uporabljajte preden ni popravljena! Obstaja nevarnost električnega udara!

## Odstranjevanje embalaže

Embalažni material je lahko nevaren za otroke. Embalažni material hranite izven dosega otrok ali ga odstranite v skladu z navodili za odstranjevanje odpadkov. Ne odstranite ga z običajnimi gospodinjskimi odpadki. Embalaža hladilnika je izdelana iz materiala primerne za recikliranje.

## Odstranjevanje starega hladilnika

Staro napravo odstranite okolju prijazno.

- Glede odstranjevanja hladilnika se posvetujte s pooblaščenim prodajalcem ali centrom za zbiranje odpadkov v vaši občini.

Preden odstranite hladilnik, izklopite električni vtič in onemogočite morebitne ključavnice na vratih, da zaščitite otroke pred nevarnostmi.

## Namestitev in montaža

△ Če vhodna vrata sobe, kjer boste namestili hladilnik niso dovolj široka, da bi hladilnik lahko spravili skozi, pokličite pooblaščen servisno službo, da bodo odstranili vrata hladilnika in ga bočno spravite skozi vrata.

1. Namestite hladilnik na mesto, ki bo omogočalo preprosto uporabo.

2. Hladilnik naj ne bo v bližini toplotnih virov, vlažnih prostorov ali neposredne sončne svetlobe.

3. Za učinkovito delovanje mora biti prostor okrog hladilnika ustrezno prezračen. Če bo hladilnik nameščen v vdolbino v steni, mora biti najmanj 5 cm razmika od stropa in najmanj 5 cm razmika od stene. Če so tla pokrita s preprogo, mora biti proizvod 2,5 cm nad tlomi.

4. Da bi preprečili tresenje, namestite hladilnik na ravno talno površino.

5. Temperatura prostora, kjer je hladilnik, naj ne bo pod 10°C.

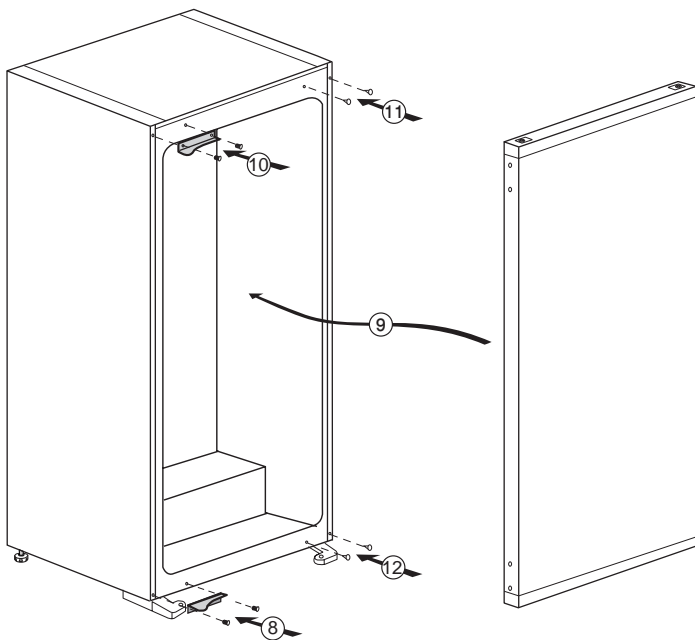
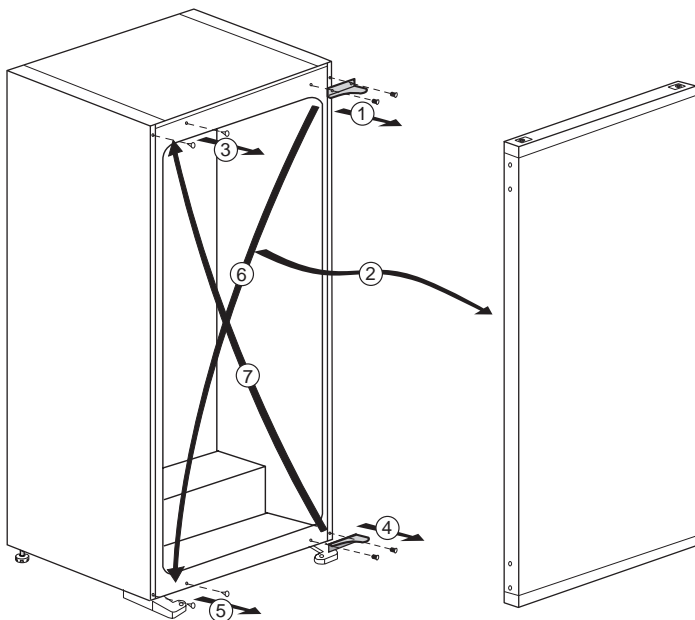
## Zamenjava notranje žarnice

Zamenjavo žarnice, ki se uporablja za osvetlitev hladilnika, naročite na pooblaščenem servisu.

Lučka, uporabljena v tej napravi, ni primerna za razsvetljavo prostorov v gospodinjstvu. Namembnost te lučke je pomagati uporabniku, da lahko daje živila v hladilnik / zamrzovalnik na varen in udoben način. Luči, uporabljene v tej napravi, morajo prenesti ekstremne fizične pogoje, kot so temperature pod -20°C.

## Obrniti vrata

Sledite zaporedju.



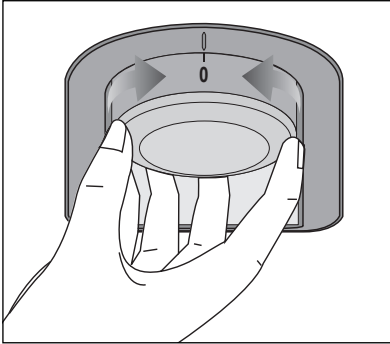
## 4 Priprava

---

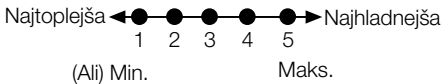
- i** Hladilnik morate namestiti vsaj 30 cm od virov toplote kot so kuhalne plošče, pečice, glavni grelci ali štedilniki in vsaj 5 cm od električnih pečic, prav tako ga ne postavljajte na neposredno sončno svetlobo.
- i** Temperatura prostora kjer boste namestili hladilnik naj bo vsaj 10°C. Delovanje hladilnika v hladnejših pogojih ni priporočljivo, saj vpliva na njegovo učinkovitost.
- i** Prepričajte se, da je notranost hladilnika popolnoma čista.
- i** Če bosta dva hladilnika nameščena drug ob drugem, naj bo vmes vsaj 2 cm razmika.
- i** Pri prvi uporabi hladilnika upoštevajte naslednja navodila med prvimi šestimi urami delovanja.
  - I zognite se pogostemu odpiranju vrat.
  - Delovati mora prazen, brez živil.
  - Hladilnika ne izklopite. Če se pojavi nenadzorovan izpad elektrike, upoštevajte opozorila v poglavju »Priporočljive rešitve za težave«.
- i** Originalno embalažo in penasti material shranite za prihodnji prevoz ali premikanje.

## 5 Uporaba hladilnika

### Nastavljanje delovne temperature



Delovno temperaturo uravnate z nadzorom za temperaturo.



**1 = Najnižja nastavev hlajenja (Najtoplejša nastavev)**

**5 = Najvišja nastavev hlajenja (Najhladnejša nastavev)**

(Ali)

**Min. = Najnižja nastavev hlajenja (Najtoplejša nastavev)**

**Maks. = Najvišja nastavev hlajenja (Najhladnejša nastavev)**

Povprečna temperatura znotraj hladilnika naj bi bila okoli +5°C.

Prosimo izberite nastavev, glede na želeno temperaturo.

Upoštevajte, da bodo v hladilnih območjih različne temperature.

Najhladnejše območje je takoj nad predelom za zelenjavo.

Notranja temperatura je odvisna tudi od temperature prostora, pogostosti odpiranja vrat in količine shranjenih živil.

Pogosto odpiranje vrat povzroči naraščanje notranje temperature.

Zaradi tega je priporočljivo, da vrata takoj po uporabi zaprete.

### Uporaba notranjih delov

Premične police: Razmik med policami se lahko po potrebi prilagodi.

Predal za zelenjavo: v tem predelu lahko dlje časa hranite zelenjavo in sadje brez da bi se pokvarila.

Polica za steklenice: na te police lahko postavite steklenice, kozarce in pločevinke.

### Hlajenje

#### Shranjevanje hrane

Hladilni del je namenjen shranjevanju svežih živil in pijač za kratek čas.

Mlečne izdelke hranite v za to namenjen predel v hladilniku.

Steklenice lahko shranite v nosilec steklenic ali na polico za steklenice na vratih.

Surovo meso je najboljšje shraniti v polietilenski vreči v predelu na skrajnem dnu hladilnika.

Počakajte, da se vroča živila in pijače ohladijo na sobno temperaturo, preden jih postavite v hladilnik.

- Pozor

Konzerviran alkohol shranjujte v navpičnem položaju, testno zaprtega.

- Pozor

V napravi ne shranjujte eksplozivnih substanc ali vsebovalnikov z vnetljivimi pogonskimi gorivi (konzervirana krema, razpršilci itd.). Obstaja nevarnost eksplozije.

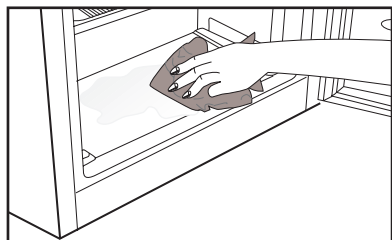
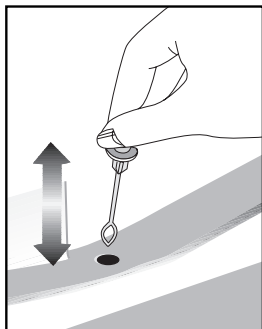
## Odtajanje

Predel hladilnika se samodejno odtaja. Odtajana voda teče skozi izpustni kanal v zbiralnik na zadnji strani naprave.

Med odtajanjem se zaradi izparilnika na zadnji strani hladilnika ustvarijo vodne kapljice.

Če kapljice ne odtečejo lahko po odtajanju ponovno zamrznejo. Zato jih odstranite s krpo, namočeno v toplo vodo in nikoli ne s trdim ali ostrim predmetom.

Občasno preverite pretok odtajane vode. Včasih se lahko zagozdi.



## Zaustavitev naprave

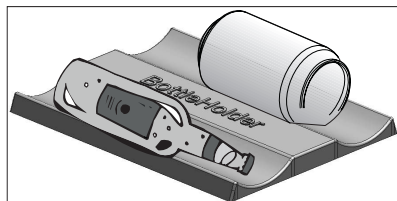
Če ima termostat na voljo položaj "0":  
- Naprava bo prenehala z delovanjem, ko boste obrnili gumb termostata na položaj "0" (nič). Naprava bo ponovno začela delovati, šele ko boste gumb termostata ponovno nastavili na položaj "1" ali kateri drug položaj.

Če ima termostat na voljo položaj "min":

- Napravo zaustavite, tako da jo izključite.

## Steklenica in lahko stojalo

Ta dodatek se lahko uporablja za shranjevanje bodisi steklenica ali pločevinke strani s strani.



## 6 Vzdrževanje in čiščenje

- ⚠ Pri čiščenju nikoli ne uporabljajte bencina, benzena ali podobnih snovi.
- ⚠ Priporočamo, da napravo pred čiščenjem izključite iz električnega omrežja.
- ⚠ Za čiščenje ne uporabljajte ostrih abrazivnih predmetov, mila, gospodinjskih čistil, čistilnih sredstev in loščila.
- ℹ Omarico hladilnika očistite z mlačno vodo in jo do suhega obrišite.
- ℹ Za čiščenje notranjosti uporabite izžeto krpo, ki ste jo namočili v raztopino ene čajne žličke sode bikarbonata in enega pinta vode ter nato do suhega obrišite.
- ⚠ Preprečite, da bi ohišje luči in ostali električni predmeti prišli v stik z vodo.
- ⚠ Če hladilnika dalj časa ne boste uporabljali, izključite električni kabel, odstranite vsa živila, jo očistite in pustite vrata priprta.
- ℹ Preverite, da so tesnila na vratih čista in ne vsebujejo delcev živil.
- ⚠ Če želite odstraniti vratne police, jih izpraznite in jih enostavno potisnite navzgor od podlage.

### Zaščita plastičnih površin

- ℹ Tekočega olja ali na olju kuhanih jedi ne shranjujte v hladilniku v odprtih posodah, saj lahko poškodujejo plastične površine hladilnika. Če na plastičnih površinah razlijete olje ali jih umažete z oljem, jih očistite in splaknite s toplo vodo.

## 7 Priporočljive rešitve za težave

Prosimo, preglejte ta seznam preden pokličete servisno službo. Lahko Vam prihrani čas in denar. Na seznamu so pogoste pritožbe, ki niso posledica pomanjkljive izdelave ali materiala. Nekatere izmed opisanih značilnosti, morda ne veljajo za vašo napravo.

### Hladilnik ne deluje.

- Ali je hladilnik pravilno priključen? Priključite vtič v vtičnico na steni.
- Ali je glavna varovalka ali pa varovalka vtičnice v katero je priključen hladilnik pregorela? Preverite varovalko.

### Kondenzacija na stranski steni hladilnega dela (MULTIZONE, COOL CONTROL in FLEXI ZONE).

- Zelo hladne prostorske razmere. Pogosto odpiranje in zapiranje vrat. Visoka vlažnost v prostoru. Shranjevanje živil, ki vsebujejo tekočino, v odprtih posodah. Vrata so bila priprta. Termostat preklopite na hladnejšo stopnjo.
- Vrata naj bodo odprta manj časa ali pa jih ne uporabljajte tako pogosto.
- Živila, ki so shranjena v odprtih posodah, pokrijte z ustrezno ovojnino.
- Kondenzacijo obrišite s suho krpo in preverite, če se ponovi.

### Kompresor ne deluje.

- Termična zaščita kompresorja bo med nenadnimi izpadi električnega toka ali pri izključevanju-vključevanju pregorela, saj pritisk hladilnega sredstva v hladilnem sistemu še ni uravnotežen. Po približno 6 minutah se bo hladilnik zagnal. Če se hladilnik po tem času ne zažene, pokličite servisno službo.
- Hladilnik se odtaja. Za hladilnik s popolnoma samodejnim odtajanjem je to običajno. Odtajanje poteka v rednih presledkih.
- Hladilnik ni vključen v vtičnico. Prepričajte se, da je vtič pravilno vstavljen v vtičnico.
- Ali so temperature pravilno nastavljene?
- Izklop energije.



Delovanje hladilnika je pogosto ali traja dalj časa.
<ul style="list-style-type: none"> <li>• Nova naprava je širša od prejšnje. To je običajno. Veliki hladilniki delujejo dalj časa.</li> <li>• Temperatura prostora je visoka. To je običajno.</li> <li>• Hladilnik je bil pred kratkim priključen ali pa je bil prenapolnjen z živili. Popolno ohlajanje hladilnika lahko traja nekaj ur dlje.</li> <li>• V hladilnik so bile nedavno postavljene večje količine toplih živil. Topla živila povzročijo daljše delovanje hladilnika, da dosežejo varno temperaturo za shranjevanje.</li> <li>• Vrata so se pogosto odpirala ali bila dalj časa priprta. Topel zrak, ki je prišel v hladilnik, povzroča daljše delovanje hladilnika. Vrata odpirajte manj pogosto.</li> <li>• Vrata zamrzovalnega ali hladilnega dela so bila priprta. Preverite, če so vrata dobro zaprta.</li> <li>• Hladilnik je nastavljen na zelo nizko temperaturo. Temperaturo hladilnika nastavite na toplejšo stopnjo in počakajte, da jo doseže.</li> <li>• Tesnilo na vratih hladilnika ali zamrzovalnika je umazano, izrabljeno, zlomljeno ali nepravilno nameščeno. Tesnilo očistite ali zamenjajte. Poškodovano/ zlomljeno tesnilo povzroča, da hladilnik deluje dalj časa za vzdrževanje trenutne temperature.</li> </ul>
Temperatura zamrzovalnika je zelo nizka, medtem ko je temperatura hladilnika ustrezna.
<ul style="list-style-type: none"> <li>• Temperatura zamrzovalnika je nastavljena na zelo nizko stopnjo. Temperaturo zamrzovalnika nastavite na toplejšo stopnjo in preverite.</li> </ul>
Temperatura hladilnika je zelo nizka, medtem ko je temperatura zamrzovalnika ustrezna.
<ul style="list-style-type: none"> <li>• Temperatura hladilnika je nastavljena na zelo nizko stopnjo. Temperaturo hladilnika nastavite na toplejšo stopnjo in preverite.</li> </ul>
Živila shranjena v predalih hladilnega dela zamrzujejo.
<ul style="list-style-type: none"> <li>• Temperatura hladilnika je nastavljena na zelo nizko stopnjo. Temperaturo hladilnika nastavite na toplejšo stopnjo in preverite.</li> </ul>

Temperature v hladilniku ali zamrzovalniku so zelo visoke.
<ul style="list-style-type: none"> <li>• Temperatura hladilnika je nastavljena na zelo visoko stopnjo. Nastavitev hladilnika vpliva na temperaturo zamrzovalnika. Spremenite temperaturo hladilnika ali zamrzovalnika, da dosežete ustrezno temperaturo.</li> <li>• Vrata so se pogosto odpirala ali bila dalj časa priprta. Odpirajte jih manj pogosto.</li> <li>• Vrata so priprta. Dobro zaprite vrata.</li> <li>• V hladilnik je bila nedavno postavljena večja količina toplih živil. Počakajte, da hladilnik ali zamrzovalnik doseže želeno temperaturo.</li> <li>• Hladilnik je bil pred kratkim priključen. Popolno ohlajanje hladilnika je dolgotrajen postopek.</li> </ul>
Med delovanjem hladilnika se hrup poveča.
<ul style="list-style-type: none"> <li>• Učinkovitost delovanja hladilnika se lahko spremenijo glede na spremembe temperature prostora. To je običajno in ni napaka.</li> </ul>
Tresljaji ali hrup.
<ul style="list-style-type: none"> <li>• Neravna ali slabotna tla. Hladilnik se med počasnim premikanjem trese. Prepričajte se, da so tla ravna in dovolj močna podpora za hladilnik.</li> <li>• Hrup lahko povzročajo predmeti, ki so postavljeni na hladilniku. Odstranite predmete na vrhu hladilnika.</li> </ul>
Iz hladilnika se širi hrup podoben prelivanju tekočine ali pršenju.
<ul style="list-style-type: none"> <li>• Način delovanja hladilnika povzroča pretok tekočine in plinov. To je običajno in ni napaka.</li> </ul>
Hrup podoben pihanju vetra.
<ul style="list-style-type: none"> <li>• Za ohlajitev hladilnika se uporabljajo ventilatorji. To je običajno in ni napaka.</li> </ul>
Kondenzacija na notranjih stenah hladilnika.
<ul style="list-style-type: none"> <li>• Vroče in vlažno vreme poveča zaledenitev in kondenzacijo. To je običajno in ni napaka.</li> <li>• Vrata so priprta. Prepričajte se, da so vrata popolnoma zaprta.</li> <li>• Vrata so se pogosto odpirala ali bila dalj časa priprta. Odpirajte jih manj pogosto.</li> </ul>
Na zunanji strani hladilnika ali med vrati se pojavi vlaga.
<ul style="list-style-type: none"> <li>• Vlaga v zraku, kar je običajno pri vlažnem vremenu. Ko se vlaga zniža, bo kondenzacija izginila.</li> </ul>
Neprijeten vonj v hladilniku.
<ul style="list-style-type: none"> <li>• Notranjost hladilnika naj bo čista. Notranjost hladilnika očistite z gobo, mlačno ali gazirano vodo.</li> <li>• Vonj povzročajo nekatere posode ali materiali pakiranja. Uporabite druge posode ali drugačno vrsto materialov pakiranja.</li> </ul>
Vrata se ne zapirajo.
<ul style="list-style-type: none"> <li>• Ovojnine živil preprečujejo zapiranje vrat. Prestavite pakiranja, ki ovirajo vrata.</li> <li>• Hladilnik ni popolnoma pokončno postavljen na tla in se zatrese že ob rahlem premiku. Prilagodite vijake za nastavitev.</li> <li>• Neravna ali šibka tla. Prepričajte se, da so tla ravna in primerna podpora za hladilnik.</li> </ul>
Predali so obtičali.
<ul style="list-style-type: none"> <li>• Živila se dotikajo stropa predala. Ponovno razporedite živila v predalu.</li> </ul>

## Molimo prvo pročitajte ovaj priručnik!

Poštovani kupci,

Nadamo se da će vam naš proizvod, proizveden u suvremenim postrojenjima i provjeren po strogim procedurama kontrole kvalitete, pružiti učinkovit rad.




Zbog toga vam preporučujemo da pažljivo pročitate cijeli priručnik proizvoda prije uporabe te da ga čuvate na pristupačnom mjestu zbog buduće uporabe.

### Ovaj priručnik

- Pomoći će vam da koristite svoj uređaj brzo i sigurno.
- Pročitajte priručnik prije instaliranja i rada s vašim proizvodom.
- Slijedite upute, posebno one vezane za sigurnost.
- Čuvajte priručnik na lako dostupnom mjestu jer vam može zatrebati kasnije.
- Osim toga, također pročitajte druge dokumente dostavljene s vašim proizvodom.
- Molimo imajte na umu da ovaj priručnik može vrijediti i za druge modele.

### Simboli i njihovi opisi

Ovaj korisnički priručnik sadrži sljedeće simbole:

-  Važne informacije ili korisni savjeti za uporabu.
-  Upozorenja protiv opasnosti po život i imovinu.
-  Upozorenje protiv električnog napona.



### **UPOZORENJE!**

Da biste osigurali normalan rad Vašeg hladnjaka, koji koristi potpuno po okoliš neškodljivu tvar za hlađenje R600a (zapaljiv samo pod određenim uvjetima), morate se držati sljedećih pravila:

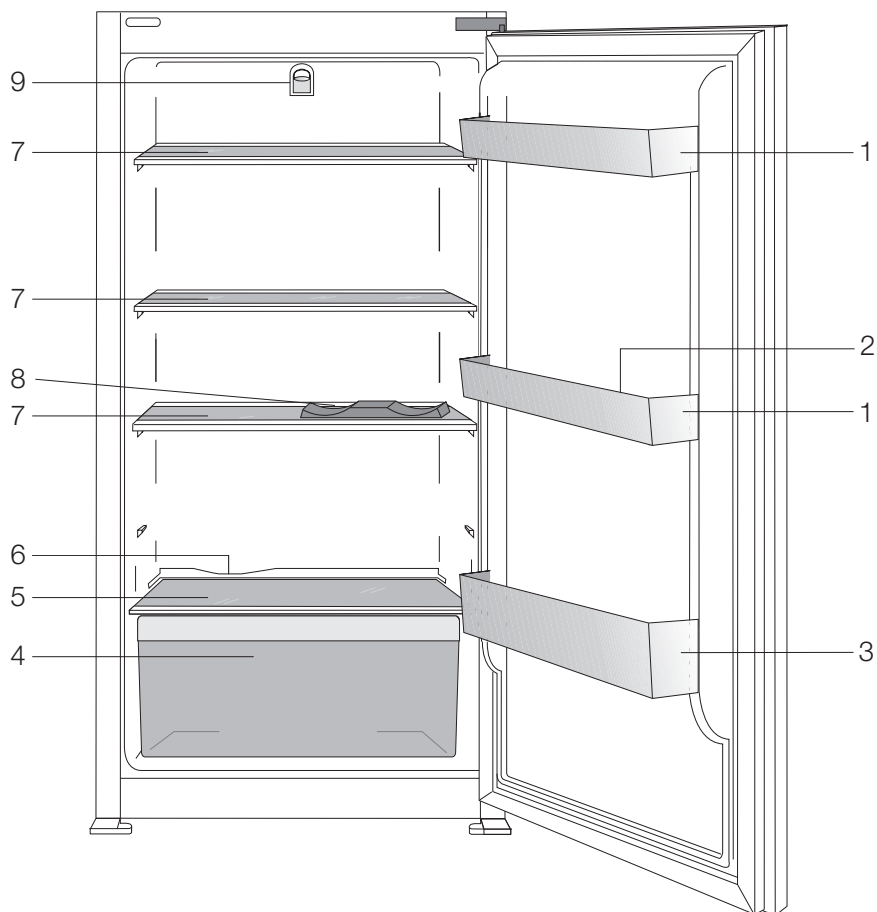
- Nemojte sprječavati slobodan protok zraka oko uređaja.
- Nemojte koristiti mehaničke uređaje da biste ubrzali odmrzavanje, osim onih koje je preporučio proizvođač.
- Ne uništavajte sklop za zamrzavanje.
- Ne koristite električne uređaje u odjeljku za hranu, osim onih koje je preporučio proizvođač.

## SADRŽAJ

---

<b>1 Vaš hladnjak</b>	<b>3</b>	<b>4 Priprema</b>	<b>10</b>
<b>2 Važna sigurnosna upozorenja</b>	<b>4</b>	<b>5 Uporaba vašeg hladnjaka</b>	<b>11</b>
Predviđena namjena .....	4	Tipka za postavljanje termostata.....	11
Opća sigurnost .....	4	Uporaba unutarnjih spremnika .....	11
Za proizvode s raspršivačem za vodu..	5	Hlađenje spremnika .....	11
Sigurnost djece .....	6	Odmrzavanje .....	12
Usklađenost s Direktivom o električnom i elektroničkom opremom (WEEE) i zbrinjavanju otpada: .....	6	Zaustavljanje uređaja .....	12
Usklađenost s Direktivom o zabrani uporabe određenih opasnih tvari u električnoj i elektroničkoj opremi (RoHS).....	6	Držać za boce .....	12
Podaci o pakiranju.....	6	<b>6 Održavanje i čišćenje</b>	<b>13</b>
Upozorenje za HCA .....	6	Zaštita plastičnih površina .....	13
Stvari koje se trebaju uraditi za uštedu energije.....	6	<b>7 Preporučena rješenja za probleme</b>	<b>14</b>
<b>3 Instalacija</b>	<b>7</b>		
Stvari kojih se treba pridržavati kod ponovnog transporta vašeg hladnjaka..	7		
Prije uključivanja vašeg hladnjaka .....	7		
Električno spajanje .....	7		
Odlaganje pakiranja .....	8		
Odlaganje stalnog hladnjaka .....	8		
Postavljanje i instalacija.....	8		
Zamjena žarulje unutarnjeg svjetla .....	8		
Mijenjanje smjera otvaranja vrata .....	9		

# 1 Vaš hladnjak



1. Prilagodljive police za vrata
2. Polica za jaja
3. Polica za boce
4. Pretinac za voće i povrće
5. Poklopac pretinca za voće i povrće

6. Kanal za skupljanje otopljene vode – crijevo za odvodnju
7. Podesive police unutrašnjosti
8. Držač za boce
9. Žarulja i kutija termostata

**!** Slike koje se nalaze u ovom priručniku su shematske i možda se ne ogovaraju u potpunosti vašem proizvodu. Ako dijelovi naslova nisu sadržani u proizvodu koji ste kupili, onda to vrijedi za ostale modele.

## 2 Važna sigurnosna upozorenja

Molimo pregledajte sljedeće informacije. Nepridržavanje ovih informacija može uzrokovati ozljede ili materijalnu štetu. U suprotnom će sva upozorenja i obveze za pouzdanost postati nevaljane.

### Predviđena namjena

Ovaj je proizvod predviđen za uporabu:

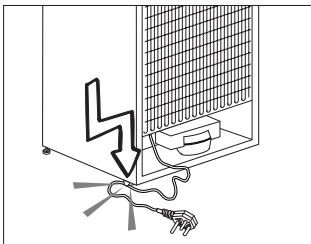
- u zatvorenom prostoru, npr. unutar kuće;
- u zatvorenim radnim okruženjima, kao što su trgovine i uredi;
- u zatvorenim prostorima za smještaj, kao što su kuće na farmama, hoteli, penzioni.
- Ovaj se proizvod ne smije se koristiti vani.

### Opća sigurnost

- Kad budete željeli odložiti uređaj, preporučujemo da konzultirate ovlašteni servis da biste saznali potrebne informacije i ovlaštena tijela.
- Konzultirajte se s ovlaštenim servisom za sva pitanja i probleme vezane za hladnjak. Nemojte intervenirati ili dopustiti da netko intervenira na hladnjaku bez prethodnog obavještanja ovlaštenih servisa.
- Za proizvode u odjeljku škrinje; Ne jedite kornete sladoleda i kockice leda odmah nakon vađenja kad ih izvadite iz odjeljka hladnjaka! (To može uzrokovati ozljede od hladnoće u vašim ustima.)
- Za proizvode s odjeljkom sa škrinjom; ne stavljajte tekućinu u bocama i konzervama u odjeljak škrinje. U suprotnom bi mogli puknuti.
- Ne dodirujte smrznutu hranu rukom; može vam se zalijepiti za ruku.
- Isključite svoj hladnjak prije čišćenja ili odmrzavanja.

- Para i raspršujuća sredstva za čišćenje se nikada ne smiju koristiti tijekom postupka čišćenja i odmrzavanja u vašem hladnjaku. U takvim slučajevima, para može doći u kontakt s električnim dijelovima i uzrokovati kratki spoj ili strujni udar.
- Nikada ne koristite dijelove vašeg hladnjaka, kao što su vrata, za pridržavanje ili za stajanje na njima.
- Ne koristite električne uređaje unutar hladnjaka.
- Ne oštećujte dijelove gdje cirkulira rashladno sredstvo pomoću alata za bušenje ili rezanje. Rashladno sredstvo koje može eksplodirati kad se plinski kanali isparivača, produžetka cijevi ili površinskih premaza probuše, može uzrokovati iritaciju kože i ozljede oka.
- Ne pokrivajte i ne blokirajte otvore za ventilaciju na vašem hladnjaku bilo kakvim materijalom.
- Električne aparate smiju popravljati samo ovlaštene osobe. Popravke koje izvrše nestručne osobe mogu predstavljati rizik za korisnika.
- U slučaju bilo kakvog kvara tijekom održavanja ili popravke, otpojite hladnjak s napajanja ili isključivanjem odgovarajućeg osigurača ili isključivanjem vašeg uređaja iz struje.
- Kod isključivanja utikača, nemojte povlačiti za kabel.
- Stavite jača pića čvrsto zatvorena i uspravno.
- Nikada ne držite konzerve sa sprejevima koji sadrže zapaljive i eksplozivne tvari u hladnjaku.
- Ne koristite mehaničke uređaje ili druge načine za ubrzavanje procesa topljenja, osim onih koje preporuča proizvođač.
- Ovaj uređaj nije namijenjen uporabi od strane osoba s fizičkim osjetilnim ili mentalnim nedostacima ili osoba bez znanja ili iskustva (uključujući djecu), osim ako su pod nadzorom osobe koja će biti odgovorna za njihovu sigurnost ili koja će ih valjano uputiti o uporabi proizvoda.

- Ne uključujte oštećeni hladnjak. Konzultirajte se sa servisierom ako imate bilo kakvih nedoumica.
- Za električnu sigurnost vašeg hladnjaka se jamči samo ako je uzemljenje u vašoj kući u skladu sa standardima.
- Izlaganje proizvoda kiši, snijegu, suncu i vjetru je opasno u pogledu električne sigurnosti.
- Kad je oštećen kabel, javite se ovlaštenom servisu da izbjegnute opasnost.
- Nikada ne uključujte hladnjak u zidnu utičnicu tijekom instalacije. Inače može doći do opasnosti po život ili ozbiljne ozljede.
- Hladnjak je namijenjen samo držanju hrane. Ne smije se koristiti u bilo koje druge svrhe.
- Najlepnica s tehničkim specifikacijama se nalazi na lijevoj stijenci unutar hladnjaka.
- Nikada ne spajajte hladnjak na sustave za uštedu energije; oni mogu oštetiti hladnjak.
- Ako na hladnjaku postoji plavo svjetlo, nemojte gledati u plavo svjetlo optičkim alatima.
- Za hladnjake kojima se upravlja manualno, sačekajte bar 5 minuta da biste uključili hladnjak nakon nestanka el. energije.
- Ukoliko se uređaj da nekom drugom, korisnički priručnik se mora predati novom vlasniku.
- Pazite da ne oštetite kabel kod prijevoza hladnjaka. Presavijanje kabela može uzrokovati požar. Nikada ne stavljajte teške predmete na kabel napajanja. Ne dodirujte utikač mokrim rukama kad uključujete uređaj.
- Ne uključujte hladnjak ako je električna utičnica labava.
- Voda se ne smije špricati izravno na unutarnje ili vanjske dijelove proizvoda zbog sigurnosnih razloga.
- Nemojte špricati tvari koje sadrže zapaljive plinove kao što je propan blizu hladnjaka da biste izbjegli opasnost od požara i eksplozije.
- Nikada na hladnjak ne stavljajte posude s vodom, jer inače mogu uzrokovati električni udar ili požar.
- Nemojte prepuniti hladnjak s previše hrane. Ako se prepuni, hrana može pasti i ozlijediti vas kad otvorite vrata. Nikad ne stavljajte predmete na hladnjak, inače ti predmeti mogu pasti kad otvarate ili zatvarate vrata hladnjaka.
- Proizvodi za koje je potrebna precizna kontrola temperature, cjepiva, lijekovi osjetljivi na toplinu, znanstveni materijali, itd. se ne smiju držati u hladnjaku.
- Ako se neće koristiti dulje vrijeme, hladnjak se treba isključiti. Mogući problem na kabelu napajanja može uzrokovati požar.
- Vrh utikača se treba redovito čistiti, u suprotnom može uzrokovati požar.
- Vrh čepa se treba čistiti redovito suhom krpom; u suprotnom, može izazvati požar.
- Hladnjak se može pomaknuti ako podesive noge nisu pravilno pričvršćena na podu. Pravilno pričvršćivanje podesivih nogu na podu može spriječiti pomicanje hladnjaka.
- Kad nosite hladnjak, nemojte ga držati za ručku vrata. U suprotnom, može puknuti.
- Kad morate staviti svoj proizvod pored drugog hladnjaka ili škrinje, udaljenost između uređaja treba biti najmanje 8 cm. U suprotnom, susjedne bočne stjenke se mogu navlažiti.



## Za proizvode s raspršivačem za vodu

- Tlak vode treba biti najmanje 1 bar.
- Tlak vode treba biti najviše 8 bara.
- Koristite samo pitku vodu.

## Sigurnost djece

- Ako vrata imaju bravu, ključ se treba držati podalje od dosega djece.
- Djeca moraju biti pod nadzorom da bi se spriječilo neovlašteno korištenje proizvoda.

## Usklađenost s Direktivom o električnom i elektroničkom opremom (WEEE) i zbrinjavanju otpada:



Ovaj proizvod usklađen je s EU Direktivom WEEE (2012/19/EU). Ovaj proizvod nosi lasifikacijsku oznaku za električni i elektronički otpad (WEEE).

Ovaj je proizvod proizveden s visokokvalitetnim dijelovima i materijalima koji se mogu ponovno upotrijebiti i prikladni su za reciklažu. Ne odlažite otpadne uređaje s normalnim otpadom iz kućanstva i drugim otpadom na kraju servisnog vijeka. Odnosite ga u sabirni centar za recikliranje električne i elektroničke opreme. Obratite se lokalnim vlastima da biste saznali više informacija sabirnim centrima.

## Usklađenost s Direktivom o zabrani uporabe određenih opasnih tvari u električnoj i elektroničkoj opremi (RoHS)

Proizvod koji ste kupili usklađen je s EU Direktivom RoHS (2011/65/EU). Ne sadrži štetne i zabranjene materijale navedene u Direktivi.

## Podaci o pakiranju

Ambalažni materijali proizvoda proizvedeni su od reciklirajućih materijala sukladno našim nacionalnim propisima o zaštiti okoliša. Ambalažne materijale ne odlažite skupa s kućnim ili drugim otpadom. Odnosite ih u sabirne centre ambalažnog otpada koje su odredile lokalne vlasti.

## Upozorenje za HCA

### Ako rashladni sustav vašeg uređaja sadrži R600a:

Ovaj plin je zapaljiv. Zato pazite da tijekom uporabe i transporta ne oštetite sustav za hlađenje i cijevi. U slučaju oštećenja, držite uređaj podalje od potencijalnog izvora plamena koji može dovesti do toga da uređaj zapali, te prozračujete sobu u kojoj se nalazi uređaj.

### Ignorirajte ovo upozorenje ako rashladni sustav vašeg uređaja sadrži R134a.

Vrsta plina koja se koristi u proizvodu je navedena na tipskoj pločici koja je na lijevoj stijenci unutar hladnjaka. Nikada kod odlaganja ne bacajte uređaj u vatru.

## Stvari koje se trebaju uraditi za uštedu energije

- Ne ostavljajte vrata vašeg hladnjaka otvorena dulje vrijeme.
- Ne stavljajte toplu hranu ili pića u hladnjak.
- Nemojte prepuniti hladnjak tako da se ne sprječava cirkuliranja zraka u unutrašnjosti.
- Ne postavljajte vaš hladnjak izravno na sunčevu svjetlost ili blizu uređaja koji emitiraju toplinu kao što su pećnice, perilice suđa ili radijatori.
- Pazite da držite svoju hranu u zatvorenim posudama.
- Za uređaje s odjeljkom škrinje; možete spremiti maksimalnu količinu hrane u škrinju kad uklonite policu ili ladicu škrinje. Vrijednost potrošnje energije koja je navedena za vaš hladnjak je određena tako da je uklonjena polica ili ladicu škrinje i pod maksimalnim opterećenjem. Ne postoji opasnost od uporabe police ili ladice prema oblicima i veličinama hrane koja će biti zamrznuta.
- Topljenje smrznute hrane u odjeljku hladnjaka će osigurati uštedu energije u sačuvati kvalitetu hrane.



### 3 Instalacija

⚠ Molimo imajte na umu da se proizvođač neće smatrati odgovornim ukoliko se ne budete pridržavali informacija navedenih u korisničkom priručniku.

#### Stvari kojih se treba pridržavati kod ponovnog transporta vašeg hladnjaka

1. Vaš hladnjak mora biti ispranjen i očišćen prije bilo kakvog transporta.
2. Police, dodaci, odjeljak za povrće itd. u vašem hladnjaku moraju biti čvrsto pričvršćeni ljepljivom trakom zbog treskanja prije ponovnog pakiranja.
3. Pakiranje se mora pričvrstiti ljepljivom trakom i mora se pridržavati pravila o transportu ispisanih na pakiranju.

#### Molimo ne zaboravite...

Svaki reciklirani materijal je nezamjenjiv i zvor za prirodu i za naše nacionalne izvore.

Ako želite pridonijeti reciklaži materijala pakiranja, možete dobiti dodatne informacije od ureda za okoliš ili lokalnih vlasti.

#### Prije uključivanja vašeg hladnjaka

Prije početka uporabe vašeg hladnjaka provjerite sljedeće:

1. Je li unutrašnjost hladnjaka suha i može li zrak slobodno cirkulirati sa stražnje strane?

2. Očistite unutrašnjost hladnjaka kako je preporučeno u dijelu "Održavanje i čišćenje".
3. Uključite hladnjak u zidnu utičnicu. Kad su vrata hladnjaka otvorena, uključit će se unutrašnje svjetlo.
4. Čut ćete buku kad kompresor počne raditi. Tekućine i plinovi zabrtvljeni u rashladnom sustavu također mogu stvarati buku, čak i kad kompresor ne radi i to je potpuno normalno.
5. Prednji krajevi hladnjaka mogu biti topli na opip. To je u normalno. Ova područja su napravljena da budu topla da bi se se izbjegla kondenzacija.

#### Električno spajanje

Spojite svoj proizvod u uzemljenu utičnicu koja je zaštićena osiguračem odgovarajućeg kapaciteta.

Važno:

- Spoj mora biti u skladu s nacionalnim zakonskim odredbama.
- Kabel napajanja mora biti lako dostupan nakon postavljanja.
- Navedeni napon mora biti jednak naponu el. energije.
- Produžni kabeli i razvodnici se ne smiju koristiti za spajanje.

⚠ Oštećeni kabel napajanja mora zamijeniti kvalificirani električar.

⚠ Proizvod ne smije raditi prije popravke! Postoji opasnost od električnog udara!

## Odlaganje pakiranja

Materijali pakiranja mogu biti opasni za djecu. Čuvajte materijale pakiranja dalje od dohvata djece ili ih odložite svrstavanjem u skladu s uputama odlaganju. Nemojte ih odlagati s normalnim otpadom iz kućanstva.

Pakiranje vašeg hladnjaka je proizvedeno od recikliranih materijala.

## Odlaganje stalnog hladnjaka

Odlaganje vašeg starog stroja bez štete za okoliš.

- O odlaganju vašeg hladnjaka se možete konzultirati s vašim ovlaštenim dobavljačem ili centrom za sakupljanje otpada u vašoj općini.

Prije odlaganja vašeg hladnjaka, odrežite električni utikač i, ukoliko postoje bilo kakve brave na vratima, onesposobite ih da biste zaštitili djecu od bilo kakve opasnosti.

## Postavljanje i instalacija

⚠ Ako ulaz u prostoriju gdje će biti postavljen hladnjak nije dovoljno širok da hladnjak kroz njega prođe, pozovite ovlaštenu servis da skine vrata vašeg hladnjaka tako da kroz vrata prođe bočno.

1. Instalirajte vaš hladnjak na mjesto koje dopušta laku uporabu.
2. Držite vaš hladnjak podalje od izvora topline, vlažnih mjesta i direktne sunčeve svjetlosti.
3. Da bi se postigao učinkoviti rad, oko vašeg hladnjaka mora postojati odgovarajuća ventilacija. Ako se hladnjak treba postaviti u otvor u zidu, mora postojati udaljenost najmanje 5 cm od plafona i 5 cm od zida. Ako je pod prekriven tepihom, vaš uređaj mora biti podignut od poda 2,5 cm.

4. Stavite svoj hladnjak na ravnu površinu poda da biste spriječili udarce.

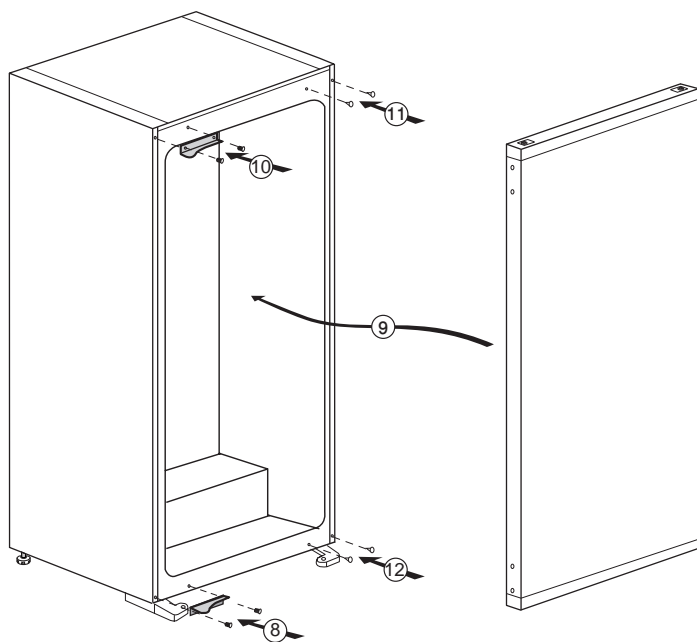
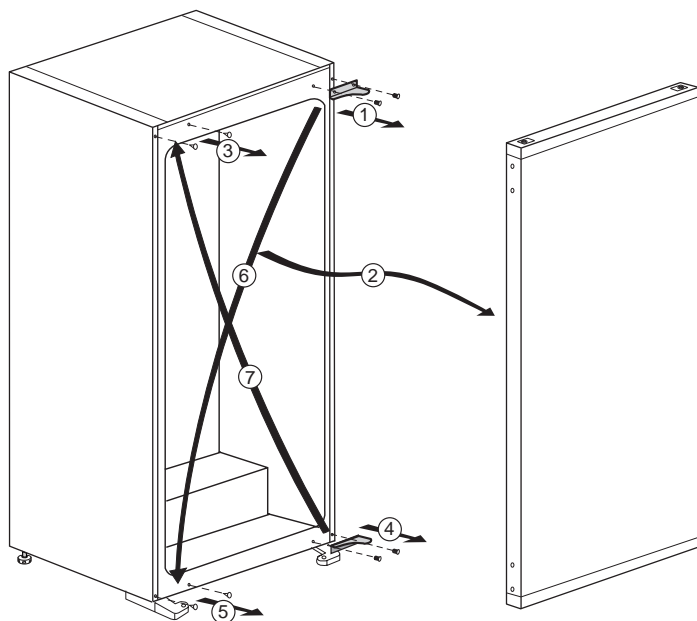
5. Ne držite svoj hladnjak na temperaturama nižim od 10°C.

## Zamjena žarulje unutarnjeg svjetla

Da biste zamijenili lampicu koja se koristi za osvjetljavanje, molimo nazovite svoj ovlaštenu servis. Lampa koja se koristi u ovom uređaju nije podesna za uporabu za osvjetljenje doma. Predviđena namjena ove lampe je da pomogne korisniku da stavi hranu u hladnjak/škrinju na siguran i ugodan način. Svjetiljke ovog uređaja moraju podnijeti ekstremne uvjete poput temperatura nižih od -20°C.

## Mijenjanje smjera otvaranja vrata

Nastavite po rednim brojevima.



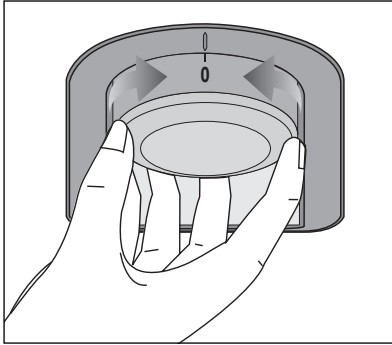
## 4 Priprema

---

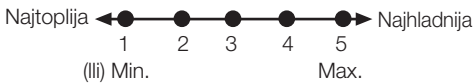
- i** Vaš hladnjak se treba postaviti najmanje 30 cm od izvora topline kao što su plamenici, pećnice, grijalice i štednjaci i najmanje 5 cm dalje od električnih pećnica te se ne smiju stavljati na direktnu sunčevu svjetlost.
- i** Sobna temperatura u prostoriji u koju postavite hladnjak treba biti najmanje 10°C. Rad vašeg hladnjaka u hladnijim uvjetima od navedenih se ne preporuča vezano za učinkovitost.
- i** Pazite da se unutrašnjost vašeg hladnjaka temeljito čisti.
- i** Ako se dva hladnjaka trebaju instalirati jedan do drugog, između njih treba postojati razmak od najmanje 2 cm.
- i** Kada prvi put uključite hladnjak, molimo pridržavajte se sljedećih uputa tijekom prvih šest sati.
  - Vrata se ne smiju često otvarati.
  - Mora raditi prazan, bez ikakve hrane u njemu.
  - Ne isključujte vaš hladnjak. Ako dođe do nestanka el. energije na koji ne možete utjecati, molimo pogledajte upozorenja u dijelu "Preporučena rješenja za probleme".
- i** Originalno pakiranje i materijali od pjene se trebaju čuvati zbog budućeg transporta ili selidbe.

## 5 Uporaba vašeg hladnjaka

### Tipka za postavljanje termostata



Temperatura rada se regulira tipkom za kontrolu temperature.



**1 = Najniža postavka hlađenja (najtoplija postavka)**

**5 = Najviša postavka hlađenja (najhladnija postavka)**

(li)

**Min. = Najniža postavka hlađenja**  
(Najtoplija postavka)

**Max. = Najviša postavka hlađenja**  
(Najhladnija postavka)

Prosječna temperatura unutar hladnjaka treba biti oko +5°C. Molimo odaberite postavku prema željenoj temperaturi. Molimo imajte na umu da će u prostoru za hlađenje biti različitih temperatura. Najhladniji dio je odmah iznad odjeljka za povrće. Unutarnja temperatura također ovisi o temperaturi okoline, učestalosti otvaranja vrata i količini hrane koja se nalazi unutra.

Često otvaranje vrata dovodi do rasta unutarnje temperature.

Zbog tog razloga, preporučamo zatvaranje vrata nakon uporabe što je češće moguće.

Unutarnja temperatura vašeg hladnjaka se mijenja zbog sljedećih razloga:

### Uporaba unutarnjih spremnika

**Pomične police:** Udaljenost između policica se može po potrebi prilagoditi.

**Ladica za povrće:** Povrće i voće se može skladištiti u ovom odjeljku dulje vrijeme bez propadanja.

**Police za boce:** Na ove police se mogu staviti boce, tegle i konzerve.

### Hlađenje spremnika Spremanje hrane

Odjeljak hladnjaka služi za kratkotrajnu pohranu svježe hrane i pića.

Mliječne proizvode držite u za to predviđenom pretincu u hladnjaku.

Boce se mogu držati u držaču za boce ili na policama za boce na vratima.

Svježe meso je najbolje držati u plastičnim vrećicama u pretincu na dnu hladnjaka.

Pustite da se hrana i piće ohlade na sobnu temperaturu prije nego ih stavite u hladnjak.

- Pažnja

Koncentrirani alkohol stavljajte samo uspravno i čvrsto zatvoren.

- Pažnja

Ne držite eksplozivne tvari ili spremnike sa zapaljivim plinom (šlag u spreju, sprejevi, itd.) Postoji opasnost od eksplozije.

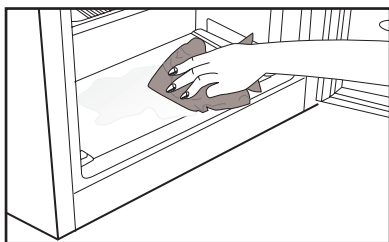
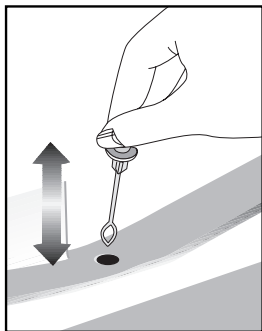
## Odmrzavanje

Pretinac za zamrzavanje automatski odmrzava. Otopljena voda teče kroz kanal za odvodnju u spremnik za sakupljanje na stražnjem dijelu uređaja.

Tijekom odmrzavanja, na zadnjoj strani hladnjaka se formiraju kapi vode zbog isparivača.

Ako sve kapi ne oteku dolje, mogu se ponovno smrznuti nakon odmrzavanja uklonite ih krpom namočenom u toplu vodu, ali nikada tvrdim ili oštrim predmetom.

S vremena na vrijeme provjerite tok otopljene vode. Povremeno se može začepiti.



## Zaustavljanje uređaja

Ako je vaš termostat opremljen s položajem „0“:

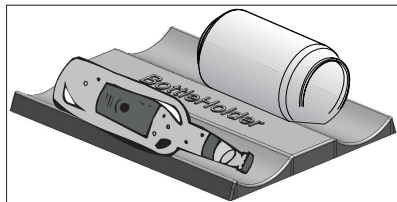
- Vaš uređaj će prestati raditi kad okrenete tipku termostata na položaj „0“ (nula). Vaš uređaj se neće pokrenuti ako ne okrenete tipku termostata ponovno na položaj „1“ ili neki drugi položaj.

Ako je vaš termostat opremljen s položajem „min“:

- Isključite uređaj s napajanja da biste ga zaustavili.

## Držak za boce

Ovaj dodatak može se koristiti za skladištenje bilo boca ili limenki strani po strani.



## 6 Održavanje i čišćenje

- ⚠ Nikada za čišćenje nemojte koristiti benzin ili slične materijale.
- ⚠ Savjetujemo da isključite uređaj iz struje prije čišćenja.
- ℹ Nikada za čišćenje nemojte koristiti oštre predmete ili abrazivne tvari, sapun, tekućinu za čišćenje kućanstva, deterdžent ili vosak za poliranje.
- ℹ Koristite mlaku vodu za čišćenje kutije hladnjaka i osušite ga krpom.
- ℹ Koristite ocijeđenu vlažnu krpu potopljenu u otopini jedne žličice sode bikarbone na pola litre vode da biste očistili unutrašnjost i osušite je krpom.
- ⚠ Pazite da voda ne uđe u kućište lampe i druge električne dijelove.
- ⚠ Ako se aparat neće koristiti dulje vrijeme, isključite ga, izvadite svu hranu, očistite ga i ostavite vrata otvorena.
- ℹ Provjeravajte brtve na vratima redovito da biste bili sigurni da su čisti i da na njima nema komadića hrane.
- ℹ Da biste skinuli police s vrata, izvadite sav sadržaj i tada jednostavno gurnite policu vrata gore iz osnove.
- ℹ Nikad ne upotrebljavajte sredstva za čišćenje ili vodu koja sadrži klor za čišćenje vanjskih površina ili kromiranih dijelova proizvoda. Klor uzrokuje koroziju na takvim metalnim površinama.

### Zaštita plastičnih površina

- ℹ Ne stavljajte tekuće ulje ili jela kuhana na ulju u vaš hladnjak u nezatvorenim posudama jer oni mogu oštetiti plastične površine hladnjaka. U slučaju prolivanja ili razmazivanja ulja na plastičnim površinama, odmah očistite i isperite odgovarajuće dijelove površine toplom vodom.

## 7 Preporučena rješenja za probleme

Molimo provjerite popis prije zvanja servisa. To vam može uštedjeti vrijeme i novac. Popis sadrži česte reklamacije koje nisu posljedica oštećenja u proizvodnji ili uporabi. Neke od opisanih mogućnosti možda ne postoje na vašem proizvodu.

### Hladnjak ne radi.

- Je li hladnjak pravilno uključen na napajanje? Uključite utikač u utičnicu u zidu.
- Je li pregorio osigurač utičnice na koju je priključen vaš hladnjak? Provjerite osigurač.

### Kondenzacija na stjenkama hladnjaka (MULTIZONA, KONTROLA HLAĐENJA I FLEKSI ZONA).

- Jako hladna okolina. Često otvaranje i zatvaranje vrata. Jako vlažna okolina. Čuvanje hrane koja sadrži tekućinu u otvorenim posudama. Ostavljanje vrata odškrinutim. Prebacivanje termostata na hladniji stupanj.
- Smanjivanje vremena kad su vrata otvorena ili rjeđa uporaba.
- Prekrivanje hrane spremljene u otvorenim posudama odgovarajućim materijalom.
- Obrišite kondenzat pomoću suhe krpe i provjerite ukoliko se i dalje javlja.

### Kompresor ne radi.

- Zaštitni termički dio kompresora će pregoriti tijekom naglih nestanaka el. energije ili isključivanja priključaka jer tlak rashladnog sredstva u sustavu za hlađenje hladnjaka nije jooš izbalansiran. Vaš hladnjak će početi s radom otprilike nakon 6 minuta. Molimo nazovite servis ako se vaš hladnjak ne uključi na kraju ovog razdoblja.
- Hladnjak je u ciklusu odmrzavanja. To je normalno za hladnjak s potpuno automatskim odmrzavanjem. Ciklus za odmrzavanje se događa periodički.
- Vaš hladnjak nije uključen u utičnicu. Provjerite je li utikač pravilno postavljen u utičnicu.
- Je li temperatura pravilno postavljena?
- Napajanje može biti prekinuto.



#### Hladnjak radi često ili dugotrajno.

- Vaš novi hladnjak je možda širi od prethodnog. To je u potpunosti normalno. Veći hladnjaci rade dulje.
- Sobna temperatura je možda visoka. To je u potpunosti normalno.
- Hladnjak je možda nedavno priključen na el.energiju ili je možda napunjen hranom. Potpuno hlađenje hladnjaka može trajati nekoliko sati dulje.
- Možda su nedavno u hladnjak stavljene velike količine tople hrane. Topla hrana uzrokuje dulji rad hladnjaka dok ne dostigne sigurnu temperaturu za čuvanje.
- Vrata su možda često otvarana ili ostavljena odškrinuta dulje vrijeme. Topli zrak koji je ušao u hladnjak uzrokuje da hladnjak radi dulje vrijeme. Rjeđe otvarajte vrata.
- Vrata škrinje ili hladnjaka su možda bila odškrinuta. Provjerite jesu li vrata čvrsto zatvorena.
- Hladnjak je postavljen na vrlo nisku temperaturu. Prilagodite temperaturu hladnjaka na topliju razinu dok se ne postigne temperatura.
- Brtva vrata hladnjaka ili škrinje može biti prljava, pohabana, oštećena ili nije dobro sjela. Očistite ili zamijenite brtvu. Oštećena/pokidana brtva uzrokuje dulji rad hladnjaka da bi se održala trenutna temperatura.

#### Temperatura hladnjaka je vrlo niska dok je temperatura frižidera dovoljna.

- Temperatura hladnjaka je postavljena na vrlo nisku temperaturu. Prilagodite temperaturu hladnjaka na topliji stupanj i provjerite.

#### Temperatura frižidera je vrlo niska dok je temperatura hladnjaka dovoljna.

- Temperatura hladnjaka je postavljena na vrlo nisku temperaturu. Prilagodite temperaturu hladnjaka na topliji stupanj i provjerite.

#### Hrana koja se čuva i ladicama hladnjaka se smrzava.

- Temperatura hladnjaka je postavljena na vrlo nisku temperaturu. Prilagodite temperaturu hladnjaka na topliji stupanj i provjerite.

#### Temperatura u hladnjaku ili škrinji je previsoka.

- Temperatura hladnjaka je postavljena na vrlo visoku temperaturu. Prilagođavanje hladnjaka ima utjecaja na temperaturu škrinje. Mijenjajte temperaturu hladnjaka ili škrinje dok temperatura hladnjaka ili škrinje ne dosegne dovoljnu razinu.
- Vrata su možda često otvarana ili ostavljena odškrinuta dulje vrijeme.
- Vrata su možda odškrinuta, zatvorite vrata do kraja.
- Možda su nedavno u hladnjak stavljene velike količine tople hrane. Čekajte dok hladnjak ili škrinja ne dosegnu željenu temperaturu.
- Hladnjak je možda uključen nedavno. Hlađenje hladnjaka do kraja može potrajati.

#### Buka tijekom rada se povećava kad hladnjak radi.

- Radne performanse hladnjaka se mogu promijeniti ovisno o promjenama sobne temperature. To je normalno i ne predstavlja kvar.

<b>Vibracije ili buka.</b>
<ul style="list-style-type: none"> <li>• Pod nije ravan ili je slab. Hladnjak se njiše kad se polako pomiče. Pazite da je pod ravan i da je dovoljno jak da može nositi hladnjak.</li> <li>• Buka može biti uzrokovana predmetima koji se nalaze na hladnjaku. Predmeti koji stoje na hladnjaku se trebaju ukloniti.</li> </ul>
<b>Čuje se buka poput prolijevanja tekućine ili špricanja.</b>
<ul style="list-style-type: none"> <li>• Protok tekućine i plinova se događa u skladu s radnim principima vašeg hladnjaka. To je normalno i ne predstavlja kvar.</li> </ul>
<b>Čuje se buka poput puhanja vjetra.</b>
<ul style="list-style-type: none"> <li>• Ventilatori se koriste za hlađenje hladnjaka. To je normalno i ne predstavlja kvar.</li> </ul>
<b>Kondenzacija na unutarnjim stjenkama hladnjaka.</b>
<ul style="list-style-type: none"> <li>• Toplo i vlažno vrijeme povećava nastanak leda i kondenziranje. To je normalno i ne predstavlja kvar.</li> <li>• Vrata su možda ostala odškrinuta; pazite da su vrata zatvorena do kraja.</li> <li>• Vrata su možda često otvarana ili ostavljena odškrinuta dulje vrijeme.</li> </ul>
<b>Vlaga se pojavljuje na vanjskom dijelu hladnjaka ili između vrata.</b>
<ul style="list-style-type: none"> <li>• Možda ima vlage u zraku; to je potpuno normalno kad je vrijeme vlažno. Kad je vlažnost manja, kondenzat će nestati.</li> </ul>
<b>Neugodan miris unutar hladnjaka.</b>
<ul style="list-style-type: none"> <li>• Mora se očistiti unutrašnjost hladnjaka. Očistite unutrašnjost hladnjaka spužvom, toplom ili gaziranom vodom.</li> <li>• Neugodan miris možda uzrokuju neke posude ili materijali pakiranja. Koristite neku drugu posudu ili drugačiju marku materijala za pakiranje.</li> </ul>
<b>Vrata se ne zatvaraju.</b>
<ul style="list-style-type: none"> <li>• Paketi hrane možda sprječavaju zatvaranje vrata. Uklonite pakete hrane koji smetaju vratima.</li> <li>• Vaš hladnjak nije potpuno uspravan na podu i njiše se kad se lagano pomakne. Prilagodite vijke za podizanje.</li> <li>• Pod nije ravan ili jak. Pazite da je pod ravan i da može nositi hladnjak.</li> </ul>
<b>Odjeljci za voće i povrće su zaglavljani.</b>
<ul style="list-style-type: none"> <li>• Hrana možda dodiruje vrh ladice. Presložite hranu u ladici.</li> </ul>



