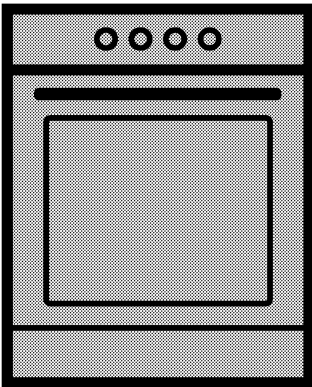


Oven

User manual



FSE62110DW

EN | LT | LV

285.3035.48/R.AE/25.09.2018/4-1

Please read this user manual first!

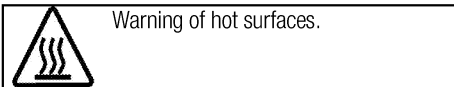
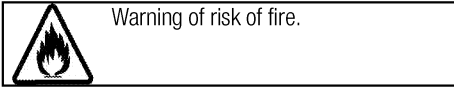
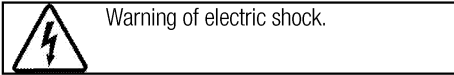
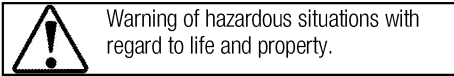
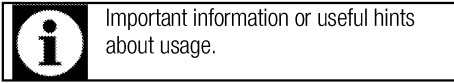
Dear Customer,

Thank you for purchasing this Beko product. We hope that you get the best results from your product which has been manufactured with high quality and state-of-the-art technology. Therefore, please read this entire user manual and all other accompanying documents carefully before using the product and keep it as a reference for future use. If you handover the product to someone else, give the user manual as well. Follow all warnings and information in the user manual.

Remember that this user manual is also applicable for several other models. Differences between models will be identified in the manual.

Explanation of symbols

Throughout this user manual the following symbols are used:



Arçelik A.Ş.
Karaağaç caddesi No:2-6
34445 Sütlüce/Istanbul/TURKEY
Made in TURKEY



This product was manufactured using the latest technology in environmentally friendly conditions.

TABLE OF CONTENTS

1 Important instructions and warnings for safety and environment 4

General safety	4
Safety when working with gas.....	4
Electrical safety	6
Product safety	7
Intended use	9
Safety for children.....	9
Disposing of the old product.....	9
Package information	9

2 General information 10

Overview	10
Package contents	11
Technical specifications	12
Injector table	12

3 Installation 13

Before installation	13
Installation and connection	14
Gas conversion.....	17
Future Transportation.....	18

4 Preparation 19

Tips for saving energy	19
Initial use.....	19
First cleaning of the appliance	19
Initial heating.....	19

5 How to use the hob 20

General information about cooking	20
Using the hobs.....	20

6 How to operate the oven 22

General information on baking, roasting and grilling.....	22
How to operate the electric oven	22
Operating modes.....	23
Using the oven clock	23
Cooking times table.....	24
How to operate the grill.....	25
Cooking times table for grilling.....	25

7 Maintenance and care 26

General information.....	26
Cleaning the hob	26
Cleaning the control panel	26
Cleaning the oven	26
Removing the oven door	27
Removing the door inner glass.....	27
Replacing the oven lamp.....	28

8 Troubleshooting 29

1 Important instructions and warnings for safety and environment

This section contains safety instructions that will help protect from risk of personal injury or property damage. Failure to follow these instructions shall void any warranty.

General safety

- This appliance can be used by children aged from 8 years and above and persons with reduced physical, sensory or mental capabilities or lack of experience and knowledge if they have been given supervision or instruction concerning use of the appliance in a safe way and understand the hazards involved.

Children shall not play with the appliance. Cleaning and user maintenance shall not be made by children without supervision.

- The appliance is not to be used by persons (including children) with reduced physical, sensory or mental capabilities, or lack of experience and knowledge, unless they have been given supervision or instruction. Children should be supervised and ensure they do not play with the appliance
- If the product is handed over to someone else for personal use or second-hand use purposes, the user manual, product labels and

other relevant documents and parts should be also given.

- Never place the product on a carpet-covered floor. Otherwise, lack of airflow beneath the product will cause electrical parts to overheat. This will cause problems with your product.
- Installation and repair procedures must always be performed by Authorised Service Agents. The manufacturer shall not be held responsible for damages arising from procedures carried out by unauthorised persons which may also void the warranty. Before installation, read the instructions carefully.
- Do not operate the product if it is defective or has any visible damage.
- Ensure that the product function knobs are switched off after every use.

Safety when working with gas

- Any works on gas equipment and systems may only be carried out by authorised qualified persons who are Gas Safe registered.
- Prior to the installation, ensure that the local distribution conditions (nature of the gas and gas pressure) and the adjustment of the appliance are compatible.

- This appliance is not connected to a combustion products or evacuation device. It shall be installed and connected in accordance with current installation regulations. Particular attention shall be given to the relevant requirements regarding ventilation; See *Before installation, page 13*
 - The use of gas cooking appliance results in the production of heat and moisture in the room in which it is installed. Ensure that the kitchen is well ventilated: keep natural ventilation holes open or install a mechanical ventilation device (mechanical extractor hood). Prolonged intensive use of the appliance may call for additional ventilation, for example increasing the level of the mechanical ventilation where present.
 - Gas appliances and systems must be regularly checked for proper functioning. Regulator, hose and its clamp must be checked regularly and replaced within the periods recommended by its manufacturer or when necessary.
 - Clean the gas burners regularly. The flames should be blue and burn evenly.
 - This product should be used in a room which incorporates a properly adjusted and functioning Carbon Monoxide sensor. Make sure the Carbon Monoxide sensor works properly and is maintained frequently. Carbon Monoxide sensor should be installed maximum 2 meters away from the product.
 - Good combustion is required in gas appliances. In case of incomplete combustion, carbon monoxide (CO) might develop. Carbon monoxide is a colourless, odourless and very toxic gas, which has a lethal effect even in very small doses.
 - Request information about gas emergency telephone numbers and safety measures in case of gas smell from you local gas provider.
- What to do when you smell gas**
- Do not use open flame or do not smoke. Do not operate any electrical buttons (e.g. lamp button, door bell and etc.) Do not use fixed or mobile phones. Risk of explosion and toxication!
 - Open doors and windows.
 - Turn off all valves on gas appliances and gas meter at the main control valve, unless it's in a confined space or cellar.
 - Check all tubes and connections for tightness. If you still smell gas leave the property.

- Warn the neighbours.
- Call the fire-brigade. Use a telephone outside the house.
- Do not re-enter the property until you are told it is safe to do so.

Electrical safety

- If the product has a failure, it should not be operated unless it is repaired by an Authorised Service Agent. There is the risk of electric shock!
- Only connect the product to a grounded outlet/line with the voltage and protection as specified in the “Technical specifications”. Have the grounding installation made by a qualified electrician while using the product with or without a transformer. Our company shall not be liable for any problems arising due to the product not being earthed in accordance with the local regulations.
- Never wash the product by spreading or pouring water onto it! There is the risk of electric shock!
- Never touch the plug with wet hands! Never unplug by pulling on the cable, always pull out by holding the plug.
- The product must be disconnected during installation, maintenance, cleaning and repairing procedures.
- If the power connection cable for the product is damaged, it must be replaced by the manufacturer, its service agent or similarly qualified persons in order to avoid a hazard.
- The appliance must be installed so that it can be completely disconnected from the mains supply. The separation must be provided by a switch built into the fixed electrical installation, according to construction regulations.
- Rear surface of the oven gets hot when it is in use. Make sure that the gas/electrical connection does not contact the rear surface; otherwise, connections can get damaged.
- Do not trap the mains cable between the oven door and frame and do not route it over hot surfaces. Otherwise, cable insulation may melt and cause fire as a result of short circuit.
- Any work on electrical equipment and systems should only be carried out by authorised and qualified persons.
- In case of any damage, switch off the product and disconnect it from the mains. To do this, turn off the fuse at home.
- Make sure that fuse rating is compatible with the product.

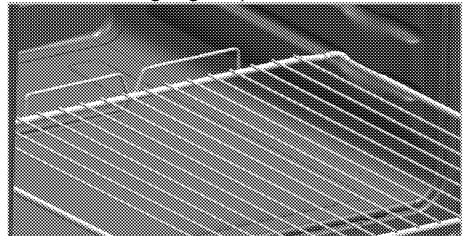
Product safety

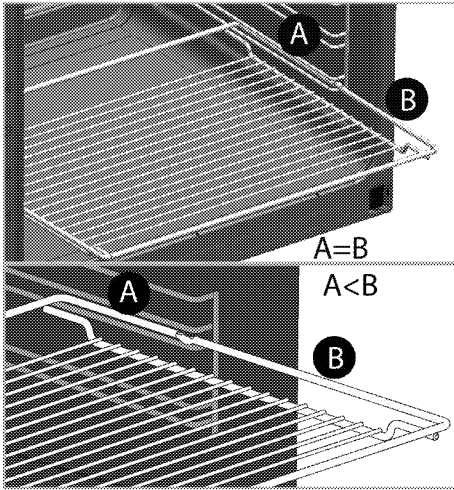
- **WARNING:** The appliance and its accessible parts become hot during use. Care should be taken to avoid touching heating elements. Children less than 8 years of age shall be kept away unless continuously supervised.
- Never use the product when your judgment or coordination is impaired by the use of alcohol and/or drugs.
- Be careful when using alcoholic drinks in your dishes. Alcohol evaporates at high temperatures and may cause fire since it can ignite when it comes into contact with hot surfaces.
- Food Poisoning Hazard: Do not let food sit in oven for more than 1 hour before or after cooking. Doing so can result in food poisoning or sickness.
- Do not place any flammable materials close to the product as the sides may become hot during use.
- During use the appliances becomes hot. Care should be taken to avoid touching heating elements inside the oven.
- Keep all ventilation slots clear of obstructions.
- Do not heat closed tins and glass jars in the oven. The pressure

that would build-up in the tin/jar may cause it to burst.

- Do not place baking trays, dishes or aluminium foil directly onto the bottom of the oven. The heat accumulation might damage the bottom of the oven.
- Do not use harsh abrasive cleaners or sharp metal scrapers to clean the oven door glass since they can scratch the surface, which may result in shattering of the glass.
- Do not use steam cleaners to clean the appliance as this may cause an electric shock.
- (Varies depending on the product model.)

Placing the wire shelf and tray onto the wire racks properly. It is important to place the wire shelf and/or tray onto the rack properly. Slide the wire shelf or tray between 2 rails and make sure that it is balanced before placing food on it (Please see the following figure).





- Do not use the product if the front door glass removed or cracked.
- Do not use the oven handle to hang towels for drying. Do not hang up towel, gloves, or similar textile products when the grill function is at open door.
- Always use heat resistant oven gloves when putting in or removing dishes into/from the hot oven.
- Place the baking paper into the cooking pot or on to the oven accessory (tray, wire grill etc) together with the food and then insert all into the preheated oven. Remove the excess parts of the baking paper overflowing from the accessory or the pot in order to prevent the risk of touching the oven's heating elements. Never use the baking paper in an operating temperature higher than the indicated value for the baking paper. Do not place the baking

paper directly on the base of the oven.

- **WARNING:** Ensure that the appliance is switched off before replacing the lamp to avoid the possibility of electric shock.
- Do not close the top cover before the hotplates or burners cool down. Wipe the top cover dry before opening it in order to avoid water leakage to the rear and inner sections of the oven.
- The appliance must not be installed behind a decorative door in order to avoid overheating.
- Product must be placed directly on the floor. It must not be placed onto a base or a pedestal.
- **WARNING:** Unattended cooking on a hob with fat or oil can be dangerous and may result in fire. NEVER try to extinguish a fire with water, but switch off the appliance and then cover flame e.g. with a lid or a fire blanket.
- **CAUTION:** The cooking process has to be supervised. A short term cooking process has to be supervised continuously.
- **WARNING:** Danger of fire: Do not store items on the cooking surfaces.

Prevention against possible fire risk!

- Ensure all electrical connections are secure and tight to prevent risk of arcing.
- Do not use damaged cables or extension cables.

- Ensure liquid or moisture is not accessible to the electrical connection point.
- To prevent gas leakage ensure that the gas connection is sound.

Intended use

- This product is designed for domestic use. Commercial use will void the guarantee.
- This appliance is for cooking purposes only. It must not be used for other purposes, for example room heating.
- This product should not be used for warming the plates under the grill, drying towels, dish cloths etc. by hanging them on the oven door handles. This product should also not be used for room heating purposes.
- The manufacturer shall not be liable for any damage caused by improper use or handling errors.
- The oven can be used for defrosting, baking, roasting and grilling food.

Safety for children

- **WARNING:** Accessible parts may become hot during use. Young children should be kept away.
- The packaging materials will be dangerous for children. Keep the packaging materials away from children. Please dispose of all parts of the packaging according to environmental standards.

- Electrical and/or gas products are dangerous to children. Keep children away from the product when it is operating and do not allow them to play with the product.
- Do not place any items above the appliance that children may reach for.
- When the door is open, do not load any heavy object on it and do not allow children to sit on it. It may overturn or door hinges may get damaged.

Disposing of the old product

Compliance with the WEEE Directive and Disposing of the Waste Product:



This product complies with EU WEEE Directive (2012/19/EU). This product bears a classification symbol for waste electrical and electronic equipment (WEEE).

This product has been manufactured with high quality parts and materials which can be reused and are suitable for recycling. Do not dispose of the waste product with normal domestic and other wastes at the end of its service life. Take it to the collection center for the recycling of electrical and electronic equipment. Please consult your local authorities to learn about these collection centers.

Compliance with RoHS Directive:

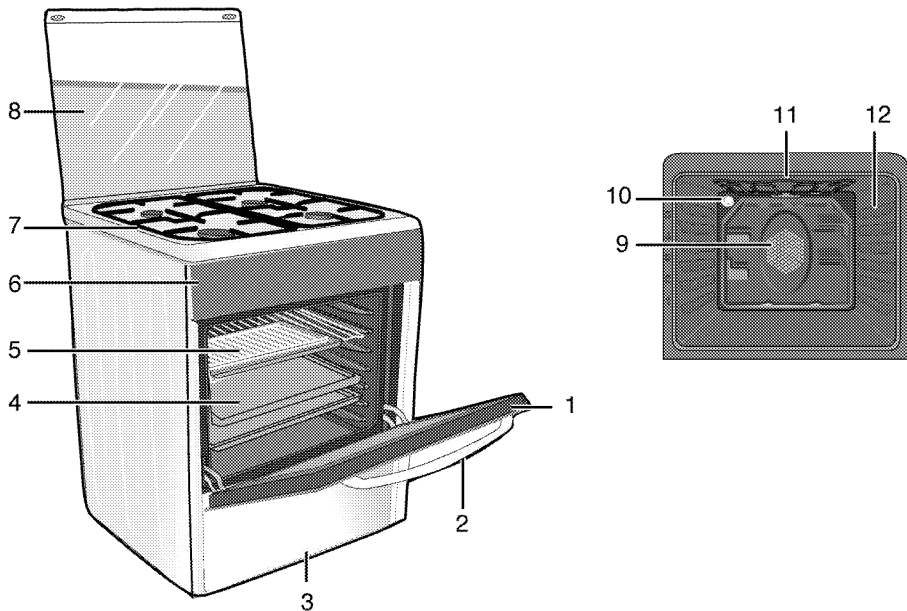
The product you have purchased complies with EU RoHS Directive (2011/65/EU). It does not contain harmful and prohibited materials specified in the Directive.

Package information

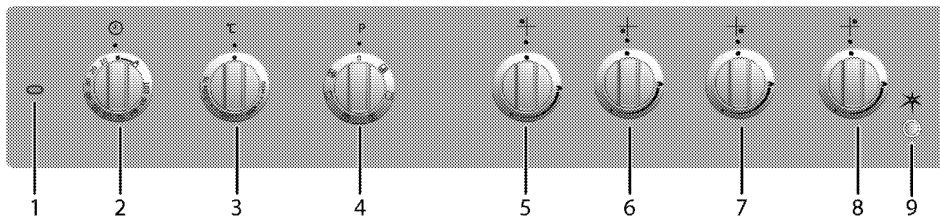
- Packaging materials of the product are manufactured from recyclable materials in accordance with our National Environment Regulations. Do not dispose of the packaging materials together with the domestic or other wastes. Take them to the packaging material collection points designated by the local authorities.

2 General information

Overview



- | | | | |
|---|---------------|----|--------------------------------|
| 1 | Front door | 7 | Burner plate |
| 2 | Handle | 8 | Top lid |
| 3 | Lower part | 9 | Fan motor (behind steel plate) |
| 4 | Tray | 10 | Lamp |
| 5 | Wire shelf | 11 | Grill heating element |
| 6 | Control panel | 12 | Shelf positions |



- | | | | |
|---|-------------------------|---|------------------------------|
| 1 | Thermostat lamp | 6 | Rapid burner Front left |
| 2 | Mechanical timer | 7 | Auxiliary burner Front right |
| 3 | Thermostat knob | 8 | Normal burner Rear right |
| 4 | Function knob | 9 | Ignition button |
| 5 | Normal burner Rear left | | |

Package contents

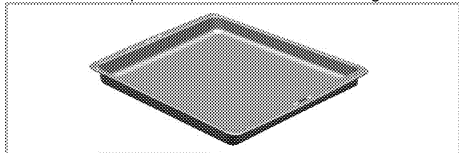


Accessories supplied can vary depending on the product model. Not every accessory described in the user manual may exist on your product.

1. **User manual**

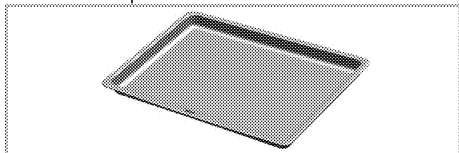
2. **Oven tray**

Used for pastries, frozen foods and big roasts.



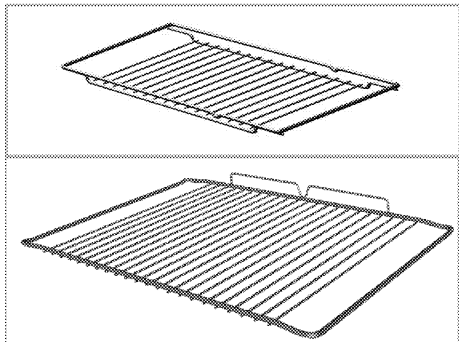
3. **Pastry tray**

Used for pastries such as cookies and biscuits.



4. **Wire Shelf**

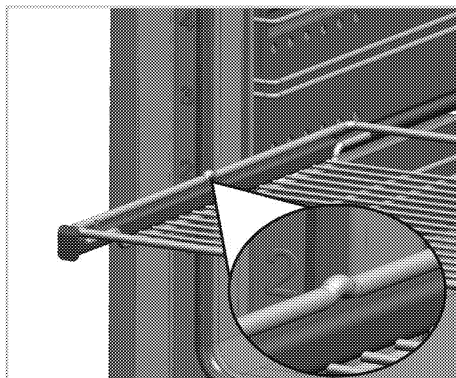
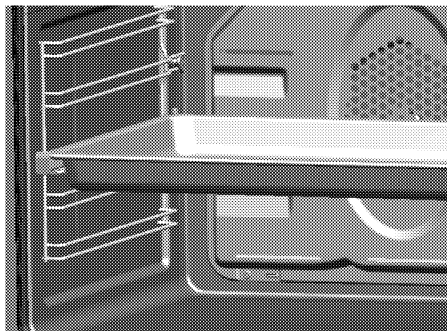
Used for roasting and for placing the food to be baked, roasted or cooked in casserole dishes to the desired rack.



5. **Placing the wire shelf and tray onto the telescopic racks properly**
(This feature is optional. It may not exist on your product.)

Telescopic racks allow you to install and remove the trays and wire shelf easily.

When using the tray and wire shelf with telescopic racks, make sure that the pins at the rear section of the telescopic rack stands against the edges of the wire shelf and tray.



Technical specifications

GENERAL	
External dimensions (height / width / depth)	850 mm/600 mm/600 mm
Voltage / frequency	220-240 V ~ 50 Hz
Total power consumption	2.4 kW
Fuse	16 A
Cable type / section	min.H05W-FG 3 x 1,5 mm ²
Category of gas product	II 2H3B/P / II 2H3+ / I 2H
Gas type / pressure	NG G 20/20 mbar
Total gas consumption	7.9 kW
Converting the gas type / pressure [§]	LPG G 30/28-30 mbar
– optional	Propane 31/37 mbar
HOB	
Burners	
Rear left	Normal burner
Power	2 kW
Front left	Rapid burner
Power	2.9kW
Front right	Auxiliary burner
Power	1kW
Rear right	Normal burner
Power	2 kW
OVEN/GRILL	
Main oven	Fan assisted
Inner lamp	15-25 W
Grill power consumption	2.2 kW

[§] Basics: Information on the energy label of electrical ovens is given in accordance with the EN 60350-1 / IEC 60350-1 standard. Those values are determined under standard load with bottom-top heater or fan assisted heating (if any) functions.

Energy efficiency class is determined in accordance with the following prioritization depending on whether the relevant functions exist on the product or not. 1-Cooking with eco-fan, 2- Turbo slow cooking, 3- Turbo cooking, 4- Fan assisted bottom/top heating, 5-Top and bottom heating.



Technical specifications may be changed without prior notice to improve the quality of the product.



Figures in this manual are schematic and may not exactly match your product.



Values stated on the product labels or in the documentation accompanying it are obtained in laboratory conditions in accordance with relevant standards. Depending on operational and environmental conditions of the product, these values may vary.

Injector table

Position hob zone	2 kW Rear left	2.9kW Front left	1kW Front right	2 kW Rear right
Gas type / Gas pressure				
G 20/20 mbar	103	115	72	103
G 30/28-30 mbar	72	87	50	72
G 31/ 37 mbar	72	87	50	72

3 Installation

Product must be installed by a qualified person in accordance with the regulations in force. The manufacturer shall not be held responsible for damages arising from procedures carried out by unauthorized persons which may also void the warranty.



Preparation of location and electrical and gas installation for the product is under customer's responsibility.



DANGER:

The product must be installed in accordance with all local gas and/or electrical regulations.



DANGER:

Prior to installation, visually check if the product has any defects on it. If so, do not have it installed.

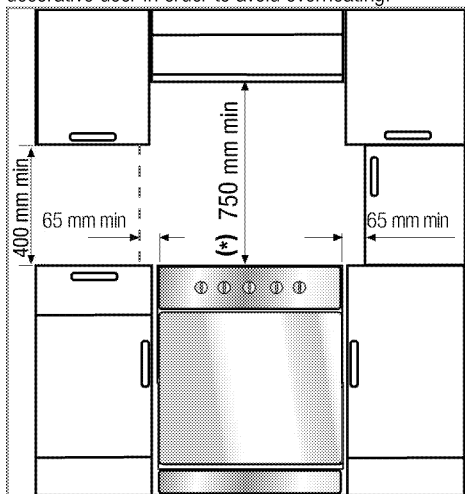
Damaged products cause risks for your safety.

Before installation

To ensure that critical air gaps are maintained under the appliance, we recommend that this appliance is mounted on a solid base and that the feet do not sink into any carpet or soft flooring.

The kitchen floor must be able to carry the weight of the appliance plus the additional weight of cookware and bakeware and food.

If the range is placed on a base, measures have to be taken to prevent the appliance slipping from the base. The appliances must not be installed behind a decorative door in order to avoid overheating.

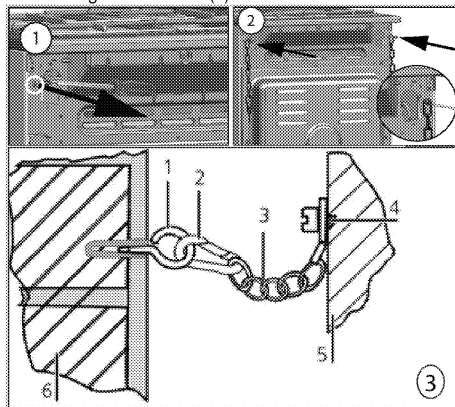


- It can be used with cabinets on either side but in order to have a minimum distance of 400mm above hotplate level allow a side clearance of 65mm between the appliance and any wall, partition or tall cupboard.
- It can also be used in a free standing position. Allow a minimum distance of 750 mm above the hob surface.
- (*) If a cooker hood is to be installed above the cooker, refer to cooker hood manufacturer' instructions regarding installation height (min 650 mm).
- The appliance corresponds to device class 1, i.e. it may be placed with the rear and **one** side to kitchen walls, kitchen furniture or equipment of any size. The kitchen furniture or equipment on the **other** side may only be of the same size or smaller.
- Any kitchen furniture next to the appliance must be heat-resistant (100 °C min.).

Safety chain

If your product has 2 safety chains;

The appliance must be secured against overbalancing by using the supplied two safety chains on your oven. Fasten hook (1) by using a proper peg to the kitchen wall (6) and connect safety chain (3) to the hook via the locking mechanism (2).

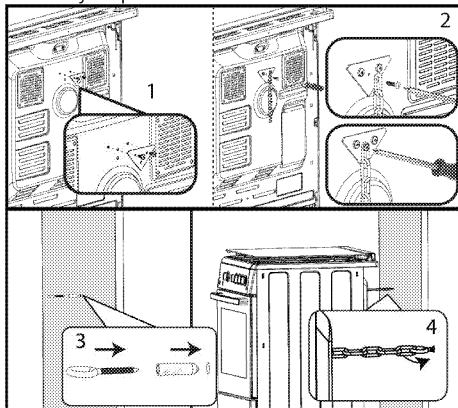


- 1 Stability hook
- 2 Locking mechanism
- 3 Safety chain (supplied and mounted to oven)
- 4 Firmly fix chain to cooker rear
- 5 Rear of cooker
- 6 Kitchen wall

If your product has 1 safety chain;

The appliance must be secured against overbalancing by using the supplied one safety chain on your oven.

Follow below steps in the picture to secure the safety chain to your product.



i Stability chain to be as short as practicable to avoid oven tilting forward and diagonal to avoid oven side tilting.

Cooker stability chain for cookers is not designed with bracket engagement slot.

Room ventilation

All rooms require an openable window, or equivalent, and some rooms will require a permanent vent as well. The air for combustion is taken from the room air and the exhaust gases are emitted directly into the room. Good ventilation is essential for safe operation of your appliance.

Rooms with doors and/or windows which open directly to the outer environment

The doors and/or windows that open directly to the outer environment must have a total ventilation opening of the dimensions specified in the table below which is based on the total gas power of the appliance (total gas power consumption of the appliance is shown in the technical specification table of this user manual). If the doors and/or windows do not have a total ventilation opening corresponding to the total gas consumption of the appliance as specified in the table below, then there must definitely be an additional fixed ventilation opening in the room to ensure that the total minimum ventilation requirements for the total gas consumption of the appliance is achieved. The fixed ventilation opening can include openings for existing airbricks, extraction hood ducting opening dimension etc.

Total gas consumption (kW)	min. Ventilation opening (cm ²)
0-2	100
2-3	120

3-4	175
4-6	300
6-8	400
8-10	500
10-11.5	600
11.5-13	700
13-15.5	800
15.5-17	900
17-19	1000
19-24	1250

Rooms that do not have openable doors and/or windows that open directly to the outer environment

If the room where the appliance is installed does not have a door and/or a window that opens directly to the outer environment, other products shall be sought that definitely provide a fixed nonadjustable and non-closable ventilation opening which meets the total minimum ventilation opening requirements for the total gas consumption of the appliance as indicated in the above table. Also the appropriate building regulations advise should be followed.

Where a room or internal space contains more than one gas appliance, additional ventilation area shall be provided on top of the requirement given in the table above. Size of additional ventilation area shall be appropriate to regulations of other gas appliances. There should also be a minimum clearance of 10mm on the bottom edge of the door that opens to the inner environment in the room where the appliance is installed. You must ensure that items such as carpets and other floorcoverings etc., do not affect the clearance when the door is closed.

The cooker may be located in a kitchen, kitchen/diner or a bed-sitting room, but not in a room containing a bath or a shower. The cooker must not be installed in a bed-sitting room of less than 20m³.

Do not install this appliance in a room below ground level unless it is open to ground level on at least one side.

Installation and connection

Product can only be installed and connected in accordance with the statutory installation rules.

i Do not install the product next to refrigerators or freezers. The heat emitted by the product will increase the energy consumption of cooling appliances.

- Carry the product with at least two persons.
- Product must be placed directly on the floor. It must not be placed onto a base or a pedestal.



Do not use the door and/or handle to carry or move the product. The door, handle or hinges get damaged.

Electrical connection

Connect the product to a grounded outlet/line protected by a miniature circuit breaker of suitable capacity as stated in the "Technical specifications" table. Have the grounding installation made by a qualified electrician while using the product with or without a transformer. Our company shall not be liable for any damages that will arise due to using the product without a grounding installation in accordance with the local regulations.



DANGER:

The product must be connected to the mains supply only by an authorised and qualified person. The product's warranty period starts only after correct installation. Manufacturer shall not be held responsible for damages arising from procedures carried out by unauthorised persons.



DANGER:

The power cable must not be clamped, bent or trapped or come into contact with hot parts of the product. A damaged power cable must be replaced by a qualified electrician. Otherwise, there is risk of electric shock, short circuit or fire!

The mains supply data must correspond to the data specified on the type label of the product. The rating plate is either seen when the door or the lower cover is opened or it is located at the rear wall of the unit depending on the unit type.

Power cable of your product must comply with the values in "Technical specifications" table.



Power cable plug must be within easy reach after installation (do not route it above the hob).



While performing the wiring, you must apply with the national/local electrical regulations and must use the appropriate socket outlet/line and plug for oven. In case of the product's power limits are out of current carrying capability of plug and socket outlet/line, the product must be connected through fixed electrical installation directly without using plug and socket outlet/line.



DANGER:

Before starting any work on the electrical installation, disconnect the product from the mains supply. There is the risk of electric shock!

Connect the power cable into the socket.

Gas connection



DANGER:

Product can be connected to gas supply system only by an authorised and qualified person or technician with licence. Risk of explosion or toxication due to unprofessional repairs! Manufacturer shall not be held responsible for damages arising from procedures carried out by unauthorised or unlicensed persons.



DANGER:

Before starting any work on the gas installation, disconnect the gas supply. There is the risk of explosion!

- Gas adjustment conditions and values are stated on labels (or on ion type label).

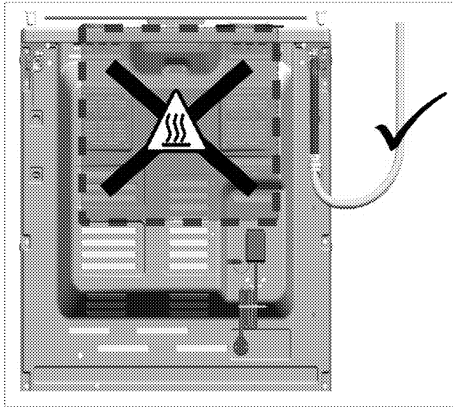


Your product is equipped for natural gas (NG).

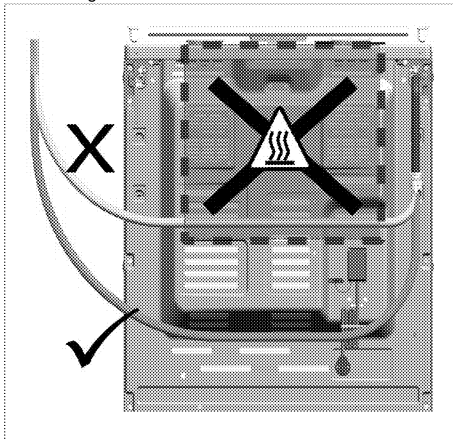
- Natural gas installation must be prepared suitably for the assembly before installing the product.
- Gas connection of your product will be performed by the authorised service.
- There must be a flex pipe at the outlet of the installation for the natural gas connection of your product and the tip of this pipe must be sealed with a blind plug. The blind plug will be removed during connection and your product will be connected by means of a flat connection device (sleeve).
- Make sure that the natural gas valve is readily accessible.
- If you need to use your product later with a different type of gas, you must consult the authorised service for the related conversion procedure.

If your product has only one gas outlet;

- Before connecting the gas hose, make sure that the gas hose outlet at the back of the product is on the same side of the product as the natural gas valve.

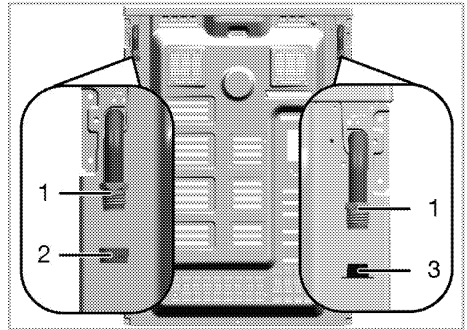


- If the gas hose outlet and the natural gas valve do not face on the same side, make sure that the hose does not pass through the hot area when connecting it.



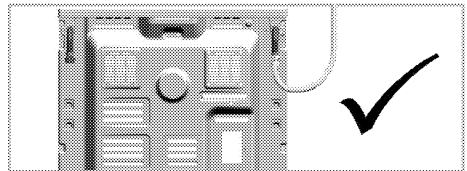
If your product has two gas outlets;

- One of the two outlets is sealed with a blind plug and the other one with a plastic plug. Locations of the blind plug and plastic plug may be different depending on the product.

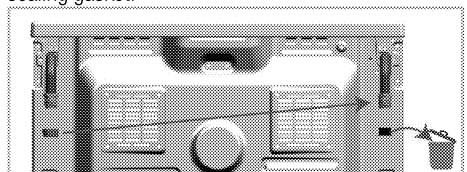


- 1 Gas hose outlet
- 2 Blind plug
- 3 Plastic plug

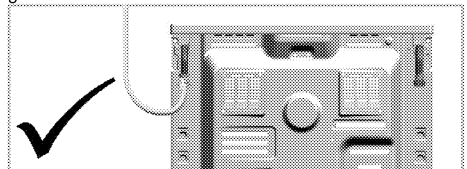
- Before gas connection, make sure that the natural gas valve and the gas hose outlet of the product to be connected to the gas is on the same side.
- If the natural gas valve and the gas hose outlet sealed with plastic plug face on the same side, make the gas connection as shown in the figure below.



- If the natural gas valve and the gas hose sealed with blind plug face on the same side, remove and dispose the plastic plug. Take out the blind plug and close the gas hose outlet where gas connection will not be made with a new (unused) sealing gasket.




- Make the gas connection as shown in the figure below on the gas hose outlet near the natural gas valve.




Risk of fire:

If you do not make the connection according to the instructions below, there will be the risk of gas leakage and fire. **Our company cannot be held responsible for damages resulting from this.**


- Gas connection must be made by the authorised service provider only.
- Gas connection of the product must definitely be made through the gas hose outlet near the natural gas valve.
- Plastic plug must be disposed, and the gas hose outlet that will not be used must be sealed with the blind plug.
- When closing the gas hose outlet that will not be used, you must definitely use a new and unused sealing gasket.

 **DANGER:**
The flexible gas hose must be connected in a way that it does not contact the moving parts around it and is not trapped when the moving parts are travelling.
(e.g. drawers). Besides, it should not be placed in spaces where it might get squeezed.

 **DANGER:**
The gas hose must not be clamped, bent or trapped or come into contact with hot parts of the product.
There is the risk of explosion due to damaged gas hose.

Leakage check at the connection point

- Make sure that all knobs on the product are turned off. Make sure that the gas supply is open. Prepare soapy foam and apply it onto the connection point of the hose for gas leakage control.
- Soapy part will froth if there is a gas leakage. In this case, inspect the gas connection once again.
- **If your product has two gas hose outlets,** make sure that the unused gas outlet is sealed with a blind plug. Prepare soapy foam and apply it onto the connection point of the blind plug to check for gas leaks. Soapy part will froth if there is a gas leakage. In this case, inspect the blind plug connection again.
- Instead of soap, you can use commercially available sprays for gas leak check.


 Never use a match or lighter to make the gas leakage control.

- Push the product towards the kitchen wall.
- **Adjusting the feet of oven**


Vibrations during use may cause cooking vessels to move. This dangerous situation can be avoided if the product is level and balanced. For your own safety please ensure the product is level by adjusting the four feet at the bottom by turning left or right and align level with the work top.

Final check

1. Check electrical functions.
2. Open gas supply.
3. Check gas installations for secure fitting and tightness.
4. Ignite burners and check appearance of the flame.

 Flame must be blue and have a regular shape. If the flame is yellowish, check if the burner cap is seated securely or clean the burner.


Gas conversion


 **DANGER:**
Before starting any work on the gas installation, disconnect the gas supply.
There is the risk of explosion!

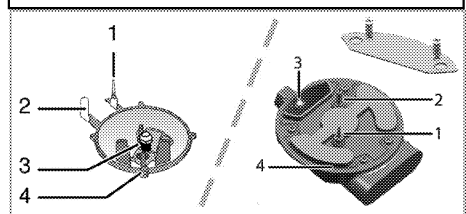
In order to change your appliance's gas type, change all injectors and make flame adjustment for all valves at reduced flow rate position.

Exchange of injector for the burners

1. Take off burner cap and burner body.
2. Unscrew injectors by turning the counter-clockwise.
3. Fit new injectors.
4. Check all connections for secure fitting and tightness.

 New injectors have their position marked on their packing or injector table on *Injector table*, page 12 can be referred to.

 ((Varies depending on the product model.))
On some hob burners, the injector is covered with a metal piece. This metal cover must be removed for injector replacement.



- 1 Flame failure device (model dependant)
- 2 Spark plug
- 3 Injector
- 4 Burner



Unless there is an abnormal condition, do not attempt to remove the gas burner taps. You must call an Authorised service agent or technician with licence if it is necessary to change the taps.

Reduced gas flow rate setting for hob taps

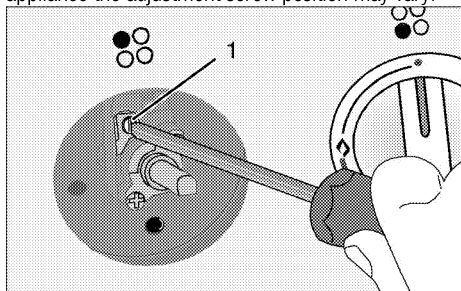
1. Ignite the burner that is to be adjusted and turn the knob to the reduced position.
2. Remove the knob from the gas tap.
3. Use an appropriately sized screwdriver to adjust the flow rate adjustment screw.

For LPG (Butane - Propane) turn the screw clockwise. For the natural gas, you should turn the screw **counter-clockwise** once.

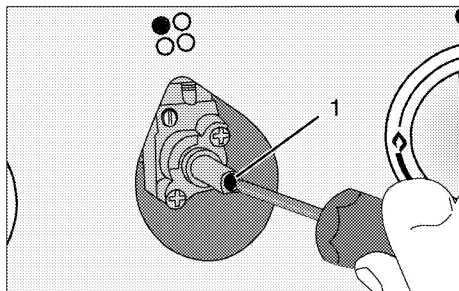
» The normal length of a straight flame in the reduced position should be 6-7 mm.

4. If the flame is higher than the desired position, turn the screw clockwise. If it is smaller turn anticlockwise.
5. For the last control, bring the burner both to high-flame and reduced positions and check whether the flame is on or off.

Depending on the type of gas tap used in your appliance the adjustment screw position may vary.



1 Flow rate adjustment screw



1 Flow rate adjustment screw



If the gas type of the unit is changed, then the rating plate that shows the gas type of the unit must also be changed.

Future Transportation

- Keep the product's original carton and transport the product in it. Follow the instructions on the carton. If you do not have the original carton, pack the product in bubble wrap or thick cardboard and tape it securely.
- To prevent the wire grill and tray inside the oven from damaging the oven door, place a strip of cardboard onto the inside of the oven door that lines up with the position of the trays. Tape the oven door to the side walls.
- Secure the caps and pan supports with adhesive tape.
- Do not use the door or handle to lift or move the product.



Do not place any objects onto the product and move it in upright position.



Check the general appearance of your product for any damages that might have occurred during transportation.

4 Preparation

Tips for saving energy

The following information will help you to use your appliance in an ecological way, and to save energy:

- Use dark coloured or enamel coated cookware in the oven since the heat transmission will be better.
- While cooking your dishes, perform a preheating operation if it is advised in the user manual or cooking instructions.
- Do not open the door of the oven frequently during cooking.
- Try to cook more than one dish in the oven at the same time whenever possible. You can cook by placing two cooking vessels onto the wire shelf.
- Cook more than one dish one after another. The oven will already be hot.
- You can save energy by switching off your oven a few minutes before the end of the cooking time. Do not open the oven door.
- Defrost frozen dishes before cooking them.
- Use pots/pans with cover for cooking. If there is no cover, energy consumption may increase 4 times.
- Select the burner which is suitable for the bottom size of the pot to be used. Always select the correct pot size for your dishes. Larger pots require more energy.

Initial use

First cleaning of the appliance



The surface might get damaged by some detergents or cleaning materials.

Do not use aggressive detergents, cleaning powders/creams or any sharp objects during cleaning.

Do not use harsh abrasive cleaners or sharp metal scrapers to clean the oven door glass since they can scratch the surface, which may result in shattering of the glass.

1. Remove all packaging materials.
2. Wipe the surfaces of the appliance with a damp cloth or sponge and dry with a cloth.

Initial heating

Heat up the product for about 30 minutes and then switch it off. Thus, any production residues or layers will be burnt off and removed.



WARNING

Hot surfaces cause burns!

Product may be hot when it is in use. Never touch the hot burners, inner sections of the oven, heaters and etc. Keep children away. Always use heat resistant oven gloves when putting in or removing dishes into/from the hot oven.

Electric oven

1. Take all baking trays and the wire grill out of the oven.
2. Close the oven door.
3. Select Static position.
4. Select the highest grill power; See *How to operate the electric oven, page 22*.
5. Operate the oven for about 30 minutes.
6. Turn off your oven; See *How to operate the electric oven, page 22*

Grill oven

1. Take all baking trays and the wire grill out of the oven.
2. Close the oven door.
3. Select the highest grill power; see *How to operate the grill, page 25*.
4. Operate the grill about 30 minutes.
5. Turn off your grill; see *How to operate the grill, page 25*



Smoke and smell may emit for a couple of hours during the initial operation. This is quite normal. Ensure that the room is well ventilated to remove the smoke and smell. Avoid directly inhaling the smoke and the smell that emits.

5 How to use the hob

General information about cooking



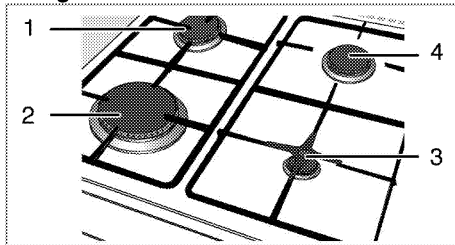
Never fill the pan with oil more than one third of it. Do not leave the hob unattended when heating oil. Overheated oils bring risk of fire. **Never attempt to extinguish a possible fire with water!** When oil catches fire, cover it with a fire blanket or damp cloth. Turn off the hob if it is safe to do so and call the fire department.

- Before frying foods, always dry them well and gently place into the hot oil. Ensure complete thawing of frozen foods before frying.
- Do not cover the vessel you use when heating oil.
- Place the pans and saucepans in a manner so that their handles are not over the hob to prevent heating of the handles. Do not place unbalanced and easily tilting vessels on the hob.
- Do not place empty vessels and saucepans on cooking zones that are switched on. They might get damaged.
- Operating a cooking zone without a vessel or saucepan on it will cause damage to the product. Turn off the cooking zones after the cooking is complete.
- As the surface of the product can be hot, do not put plastic and aluminum vessels on it. Such vessels should not be used to keep foods either.
- Use flat bottomed saucepans or vessels only.
- Put appropriate amount of food in saucepans and pans. Thus, you will not have to make any unnecessary cleaning by preventing the dishes from overflowing.
Do not put covers of saucepans or pans on cooking zones.
Place the saucepans in a manner so that they are centered on the cooking zone. When you want to move the saucepan onto another cooking zone, lift and place it onto the cooking zone you want instead of sliding it.

Gas cooking

- Size of the vessel and the flame must match each other. Adjust the gas flames so that they will not extend the bottom of the vessel and center the vessel on saucepan carrier.

Using the hobs



- 1 Normal burner 18-20 cm
- 2 Rapid burner 22-24 cm
- 3 Auxiliary burner 12-18 cm
- 4 Normal burner 18-20 cm is list of advised diameter of pots to be used on related burners.



WARNING

Do not use cooking pans beyond the dimension limits given above. Using larger pans causes risk of carbon monoxide poisoning, overheating of adjacent surfaces and control knobs. Using smaller pans causes your risk of being burned by the flame.

Large flame symbol indicates the highest cooking power and small flame symbol indicates the lowest cooking power. In turned off position (top), gas is not supplied to the burners.

Igniting the gas burners



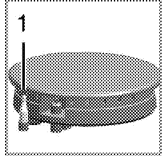
Gas burners are ignited with ignition buttons.

1. Keep burner knob pressed.
2. Turn it counter clockwise to large flame symbol.
3. Press and release the ignition button. Repeat the procedure until the released gas is ignited.
4. Adjust it to the desired cooking power.

Turning off the gas burners

Turn the keep warm zone knob to off (upper) position.

Gas shut off safety system (in models with thermic component)



1. Gas shut off safety

As a counter measure against blow out due to fluid overflows at burners, safety mechanism trips and shuts off the gas.

- Push the knob inwards and turn it counter clockwise to ignite.
- After the gas ignites, keep the knob pressed for 3-5 seconds more to engage the safety system.
- If the gas does not ignite after you press and release the knob, repeat the same procedure by keeping the knob pressed for 15 seconds.



DANGER:

Release the button if the burner is not ignited within 15 seconds.

Wait at least 1 minute before trying again.

There is the risk of gas accumulation and explosion!

6 How to operate the oven

General information on baking, roasting and grilling



WARNING

Hot surfaces cause burns!
Product may be hot when it is in use. Never touch the hot burners, inner sections of the oven, heaters and etc. Keep children away. Always use heat resistant oven gloves when putting in or removing dishes into/from the hot oven.



DANGER:

Be careful when opening the oven door as steam may escape.
Exiting steam can scald your hands, face and/or eyes.

Tips for baking

- Use non-sticky coated appropriate metal plates or aluminum vessels or heat-resistant silicone moulds.
- Make best use of the space on the rack.
- Place the baking mould in the middle of the shelf.
- Select the correct rack position before turning the oven or grill on. Do not change the rack position when the oven is hot.
- Keep the oven door closed.

Tips for roasting

- Treating whole chicken, turkey and large piece of meat with dressings such as lemon juice and black pepper before cooking will increase the cooking performance.
- It takes about 15 to 30 minutes longer to roast meat with bones when compared to roasting the same size of meat without bones.
- Each centimeter of meat thickness requires approximately 4 to 5 minutes of cooking time.
- Let meat rest in the oven for about 10 minutes after the cooking time is over. The juice is better distributed all over the roast and does not run out when the meat is cut.
- Fish should be placed on the middle or lower rack in a heat-resistant plate.

Tips for grilling

When meat, fish and poultry are grilled, they quickly get brown, have a nice crust and do not get dry. Flat pieces, meat skewers and sausages are particularly suited for grilling as are vegetables with high water content such as tomatoes and onions.

- Distribute the pieces to be grilled on the wire shelf or in the baking tray with wire shelf in such a way that the space covered does not exceed the size of the heater.
- Slide the wire shelf or baking tray with grill into the desired level in the oven. If you are grilling on the wire shelf, slide the baking tray to the lower rack to collect fats. Add some water in the tray for easy cleaning.

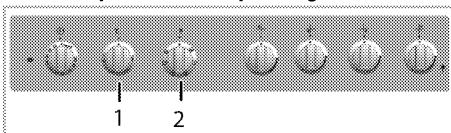


Foods that are not suitable for grilling carry the risk of fire. Only grill food which is suitable for intensive grilling heat.

Do not place the food too far in the back of the grill. This is the hottest area and fatty food may catch fire.

How to operate the electric oven

Select temperature and operating mode



- 1 Thermostat knob
- 2 Function knob

1. Set the oven timer to the desired cooking time; see *Using the oven clock*, page 23.
 2. Set the Function knob to the desired operating mode.
 3. Set the Temperature knob to the desired temperature.
- » Oven heats up to the adjusted temperature and maintains it. During heating, temperature lamp stays on.

Switching off the electric oven

Switch the oven timer to off position.



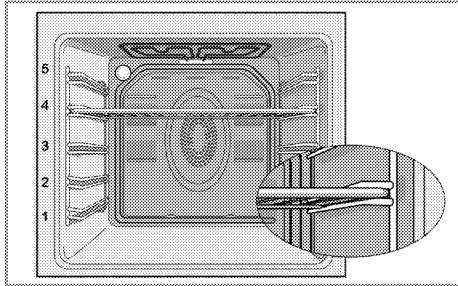
When the timer is set to a certain time, it will turn off automatically; see *Using the oven clock*, page 23

Turn the function knob and temperature knob to off (upper) position.

Rack positions (For models with wire shelf)

It is important to place the wire shelf onto the side rack correctly. Wire shelf must be inserted between the side racks as illustrated in the figure.

Do not let the wire shelf stand against the rear wall of the oven. Slide your wire shelf to the front section of the rack and settle it with the help of the door in order to obtain a good grill performance.
(Varies depending on the product model.)



Operating modes

The order of operating modes shown here may be different from the arrangement on your product.

Top and bottom heating



Top and bottom heating are in operation. Food is heated simultaneously from the top and bottom. For example, it is suitable for cakes, pastries, or cakes and casseroles in baking moulds. Cook with one tray only.

Bottom heating



Only bottom heating is in operation. It is suitable for pizza and for subsequent browning of food from the bottom.



This function must be used for easy steam cleaning as well.

Fan supported bottom/top heating



Top heating, bottom heating plus fan (in the rear wall) are in operation. Hot air is evenly distributed throughout the oven rapidly by means of the fan. Cook with one tray only.

Full grill



Large grill at the ceiling of the oven is in operation. It is suitable for grilling large amount of meat.

- Put big or medium-sized portions in correct rack position under the grill heater for grilling.
- Set the temperature to maximum level.
- Turn the food after half of the grilling time.

Grill+Fan



Grilling effect is not as strong as in Full Grill

- Put small or medium-sized portions in correct shelf position under the grill heater for grilling.
- Set the desired temperature.
- Turn the food after half of the grilling time.

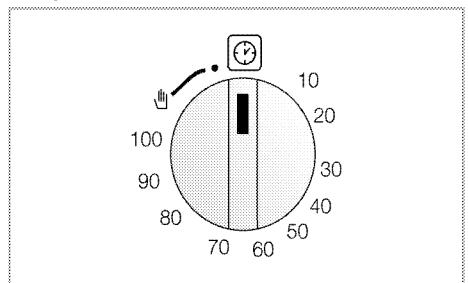
Booster



This function is used to heat the oven rapidly; it is not suitable for cooking food.

- Select the desired temperature after selecting this function. Temperature light turns on and oven is heated.
- Light turns off after the heating process is completed. Now select the desired function to cook your food.

Using the oven clock



Starting the cooking



In order to operate the oven, you must select cooking mode and the desired temperature and set the time. Otherwise, the oven will not operate.

1. Turn the Time Adjustment knob clockwise to set the cooking time.
2. Put your dish into the oven.
3. Select operation mode and temperature; see. *How to operate the electric oven, page 22.*

» The oven will be heated up to the preset temperature and will maintain this temperature until the end of the cooking time you selected.

4. Once the cooking time is over, Time Setting knob will automatically rotate counterclockwise. A warning sound indicating that the set time is over is heard and the power is cut.



If you do not want to use the timer function, turn the knob counterclockwise towards the hand symbol.

5. Turn off the oven with the Time Setting knob, function knob and temperature knob.

Turning off the oven before the set time

1. Turn the Time Adjustment knob counterclockwise until it stops.
2. Turn off the oven with the Function knob and Temperature knob.

Cooking times table



The timings in this chart are meant as a guide. Timings may vary due to temperature of food, thickness, type and your own preference of cooking.

Baking and roasting



1st rack of the oven is the **bottom** rack.

Dish	Cooking level number		Rack position	Temperature (°C)	Cooking time (approx. in min.)
**Cakes in tray	One level		4	175	30 ... 35
**Cakes in mould	One level		2	175	40 ... 50
**Cakes in cooking paper	One level		3	175	20 ... 30
**Sponge cake	One level		3	200	5 ... 10
**Cookie	One level		3	175	20 ... 25
**Dough pastry	One level		2	200	30 ... 40
**Rich pastry	One level		2	200	25 ... 35
**Leaven	One level		2	200	35 ... 45
**Lasagna	One level		2 - 3	200	30 ... 40
**Pizza	One level		2	200 ... 220	15 ... 20
Beef steak (whole) / Roast	One level		3	25 min. 250/max, then 180 ... 190	100 ... 120
Leg of Lamb (casserole)	One level		3	25 min. 220 then 180 ... 190	70 ... 90
Roasted chicken	One level		2	15 min. 250/max, then 190	65 ... 70
Turkey (5.5 kg)	One level		2	25 min. 250/max, then 190	150 ... 210
Fish	One level		3	200	20 ... 30

(**) In a cooking that requires preheating, preheat at the beginning of cooking until the oven reached to adjusted temperature.

Tips for baking cake

- If the cake is too dry, increase the temperature by 10°C and decrease the cooking time.
- If the cake is wet, use less liquid or lower the temperature by 10°C.
- If the cake is too dark on top, place it on a lower rack, lower the temperature and increase the cooking time.

- If cooked well on the inside but sticky on the outside use less liquid, lower the temperature and increase the cooking time.

Tips for baking pastry

- If the pastry is too dry, increase the temperature by 10°C and decrease the cooking time. Dampen the layers of dough with a sauce composed of milk, oil, egg and yoghurt.
- If the pastry takes too long to bake, pay care that the thickness of the pastry you have prepared does not exceed the depth of the tray.

- If the upper side of the pastry gets browned, but the lower part is not cooked, make sure that the amount of sauce you have used for the pastry is not too much at the bottom of the pastry. Try to scatter the sauce equally between the dough layers and on the top of pastry for an even browning.



Cook the pastry in accordance with the mode and temperature given in the cooking table. If the bottom part is still not browned enough, place it on one lower rack next time.

Tips for cooking vegetables

- If the vegetable dish runs out of juice and gets too dry, cook it in a pan with a lid instead of a tray. Closed vessels will preserve the juice of the dish.
- If a vegetable dish does not get cooked, boil the vegetables beforehand or prepare them like canned food and put in the oven.

How to operate the grill



WARNING

Close oven door during grilling.
Hot surfaces may cause burns!

- Turn the Time Adjustment knob counter clockwise to Hand symbol when grilling.

Switching on the grill

1. Turn the Function knob to the desired grill symbol.
2. Then, select the desired grilling temperature.
3. If required, perform a preheating of about 5 minutes.

» Temperature light turns on.

Switching off the grill

1. Turn the Function knob to Off (top) position.



Foods that are not suitable for grilling carry the risk of fire. Only grill food which is suitable for intensive grilling heat.

Do not place the food too far in the back of the grill. This is the hottest area and fatty food may catch fire.

Cooking times table for grilling

Grilling with electric grill

Food	Rack position	Recommended temperature (°C)**	Grilling time (approx.)
Fish	4...5	250/max	20...25 min. #
Sliced chicken	4...5	250/max	25...35 min.
Lamb chops	4...5	250/max	20...25 min.
Roast beef	4...5	250/max	25...30 min. #
Veal chops	4...5	250/max	25...30 min. #
Toast bread*	4	250/max	1...3 min.

depending on thickness
*Preheat for 5 minutes
**If the grill temperature of your product cannot be adjusted, the grill will work at the maximum temperature.

7 Maintenance and care

General information

Service life of the product will extend and the possibility of problems will decrease if the product is cleaned at regular intervals.



DANGER:

Disconnect the product from mains supply before starting maintenance and cleaning works.

There is the risk of electric shock!



DANGER:

Allow the product to cool down before you clean it.

Hot surfaces may cause burns!

- Clean the product thoroughly after each use. In this way it will be possible to remove cooking residues more easily, thus avoiding these from burning the next time the appliance is used.
- No special cleaning agents are required for cleaning the product. Use warm water with washing liquid, a soft cloth or sponge to clean the product and wipe it with a dry cloth.
- Always ensure any excess liquid is thoroughly wiped off after cleaning and any spillage is immediately wiped dry.
- Do not use cleaning agents that contain acid or chloride to clean the stainless or inox surfaces and the handle. Use a soft cloth with a liquid detergent (not abrasive) to wipe those parts clean, paying attention to sweep in one direction.
- **(This feature is optional. It may not exist on your product.)**
Do not use solid metal scrapers or abrasive cleaning materials to clean the glass cover. Glass surface can get damaged.



The surface might get damaged by some detergents or cleaning materials.

Do not use aggressive detergents, cleaning powders/creams or any sharp objects during cleaning.

Do not use harsh abrasive cleaners or sharp metal scrapers to clean the oven door glass since they can scratch the surface, which may result in shattering of the glass.



Do not use steam cleaners to clean the appliance as this may cause an electric shock.

Cleaning the hob

Gas hobs

1. Remove and clean the saucepan carriers and burner caps.
2. Clean the hob.
3. Install the burner caps and make sure that they are seated correctly.
4. When installing the upper grills, pay attention to place the saucepan carriers so that the burners are centered.

Cleaning the control panel

Clean the control panel and knobs with a damp cloth and wipe them dry.



If your product is equipped with buttons/knobs do not remove the control buttons/knobs to clean the control panel.

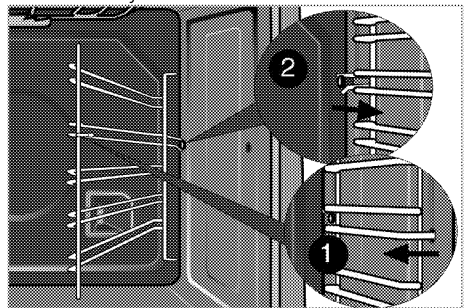
Control panel may get damaged!

Cleaning the oven

To clean the side wall (Varies depending on the product model.)

(This feature is optional. It may not exist on your product.)

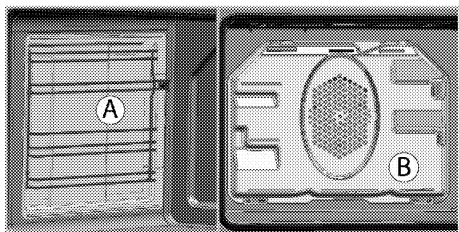
1. Remove the front section of the side rack by pulling it in the opposite direction of the side wall.
2. Remove the side rack completely by pulling it towards you.



Catalytic walls

(This feature is optional. It may not exist on your product.)

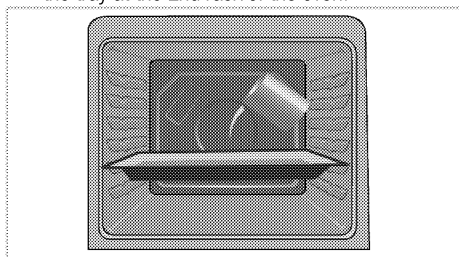
The inner side walls (A) and/or the rear wall (B) of your product may be coated with catalytic enamel. Catalytic walls have a light matte colour and a porous surface. Catalytic walls of the oven should not be cleaned. Porous surfaces of the catalytic walls are automatically cleaned by absorbing and converting the spilled oil (steam and carbon dioxide).



Easy Steam Cleaning

It ensures easy cleaning because the dirt (having waited not for too long) is softened with the steam that forms inside the oven and the water drops condensing on the inner surfaces of the oven.

1. Remove all accessories inside the oven.
2. Pour 500 ml of water into the oven tray and place the tray at the 2nd rack of the oven.



3. Set the oven to easy steam cleaning mode and run at 100°C for 25 minutes.
4. Open the door and wipe the inner surfaces of the oven with a damp sponge or cloth.
5. Use warm water with washing liquid, a soft cloth or sponge to clean the persistent dirt and wipe it with a dry cloth.

Clean oven door

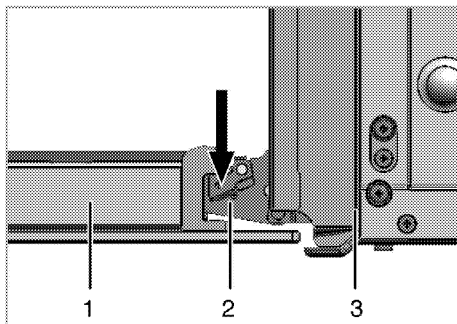
To clean the oven door, use warm water with washing liquid, a soft cloth or sponge to clean the product and wipe it with a dry cloth.



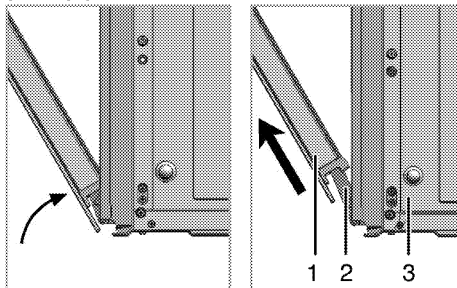
Don't use any harsh abrasive cleaners or sharp metal scrapers for cleaning the oven door. They could scratch the surface and destroy the glass.

Removing the oven door

1. Open the front door (1).
2. Open the clips at the hinge housing (2) on the right and left hand sides of the front door by pressing them down as illustrated in the figure.



- 1 Front door
- 2 Hinge
- 3 Oven



3. Move the front door to half-way.
4. Remove the front door by pulling it upwards to release it from the right and left hinges.



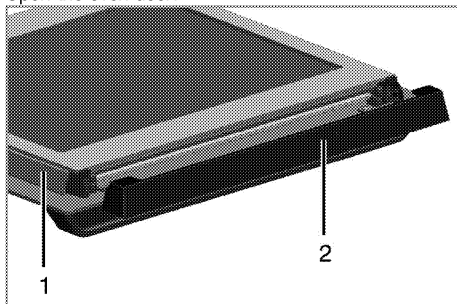
Steps carried out during removing process should be performed in reverse order to install the door. Do not forget to close the clips at the hinge housing when reinstalling the door.

Removing the door inner glass

(This feature is optional. It may not exist on your product.)

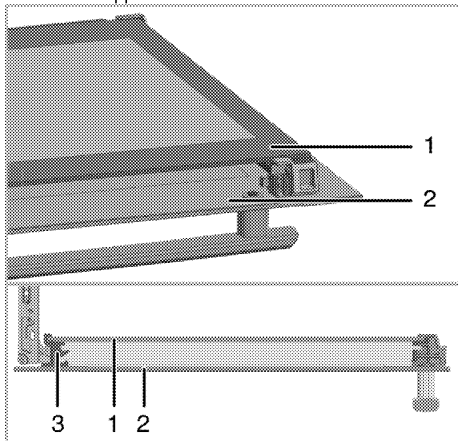
The inner glass panel of the oven door can be removed for cleaning.

Open the oven door.



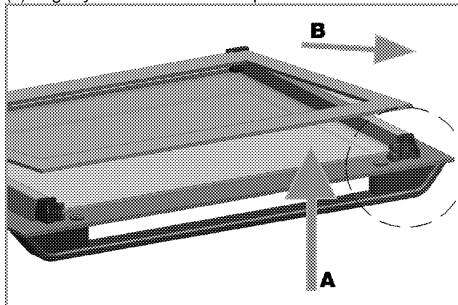
- 1 Frame
- 2 Plastic part

Pull towards yourself and remove the plastic part installed to upper section of the front door.



- 1 Inner glass panel
- 2 Outer glass panel
- 3 Plastic glass panel slot-Lower

As illustrated in figure, raise the innermost glass panel (1) slightly in direction **A** and pull it out in direction **B**.



When installing the inner glass panel (1), make sure that the printed side of the panel faces towards the inner.

It is important to seat lower corner of inner glass panel into the lower plastic slot.

Push the plastic part towards the frame until you hear a "click".

Replacing the oven lamp



DANGER:

Before replacing the oven lamp, make sure that the product is disconnected from mains and cooled down in order to avoid the risk of an electrical shock.

Hot surfaces may cause burns!



The oven lamp is a special electric light bulb that can resist up to 300 °C. See *Technical specifications, page 12* for details. Oven lamps can be obtained from Authorised Service Agents or technician with licence.



Position of lamp might vary from the figure.



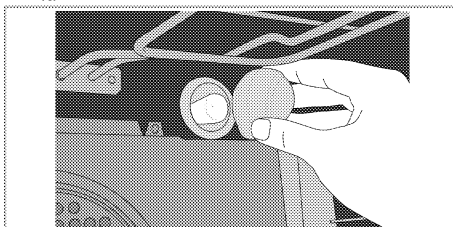
The lamp used in this appliance is not suitable for household room illumination. The intended purpose of this lamp is to assist the user to see foodstuffs.



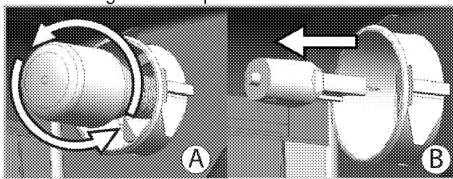
The lamps used in this appliance have to withstand extreme physical conditions such as temperatures above 50 °C.

If your oven is equipped with a round lamp:

1. Disconnect the product from mains.
2. Turn the glass cover counter clockwise to remove it.



3. If your oven lamp is of type (A) shown in the figure below, remove it by rotating as shown and replace it. If it is of type (B), pull and remove it as shown in the figure and replace it.



4. Install the glass cover.

8 Troubleshooting

Oven emits steam when it is in use.

- It is normal that steam escapes during operation. >>> *This is not a fault.*

Product emits metal noises while heating and cooling.

- When the metal parts are heated, they may expand and cause noise. >>> *This is not a fault.*

Product does not operate.

- The mains fuse is defective or has tripped. >>> *Check fuses in the fuse box. If necessary, replace or reset them.*
- Product is not plugged into the (grounded) socket. >>> *Check the plug connection.*

Oven light does not work.

- Oven lamp is defective. >>> *Replace oven lamp.*
- Power is cut. >>> *Check if there is power. Check the fuses in the fuse box. If necessary, replace or reset the fuses.*

Oven does not heat.

- Might not be set to a certain cooking function and/or temperature. >>> *Set the oven to a certain cooking function and/or temperature.*
- In models equipped with a timer, the timer is not adjusted. >>> *Adjust the time.*
(In products with microwave oven, timer controls only microwave oven.)
- Power is cut. >>> *Check if there is power. Check the fuses in the fuse box. If necessary, replace or reset the fuses.*

There is no ignition spark.

- No current. >>> *Check fuses in the fuse box.*
- Time is not set. >>> *Set the time.*

There is no gas.

- Main gas valve is closed. >>> *Open gas valve.*
- Gas pipe is bent. >>> *Install gas pipe properly.*

Burners are not burning properly or at all.

- Burners are dirty. >>> *Clean burner components.*
- Burners are wet. >>> *Dry the burner components.*
- Burner cap is not mounted safely. >>> *Mount the burner cap properly.*
- Gas valve is closed. >>> *Open gas valve.*
- Gas cylinder is empty (when using LPG). >>> *Replace gas cylinder.*

(In models with timer) Clock display is blinking or clock symbol is on.

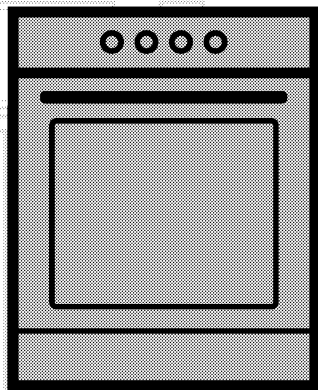
- A previous power outage has occurred. >>> *Adjust the time / Switch of the product and switch it on again.*



Consult the Authorised Service Agent or technician with licence or the dealer where you have purchased the product if you can not remedy the trouble although you have implemented the instructions in this section. Never attempt to repair a defective product yourself.

Viryklė

Vartotojo vadovas



LT

beko

Pirmiausia įdėmiai perskaitykite šį vartotojo vadovą!

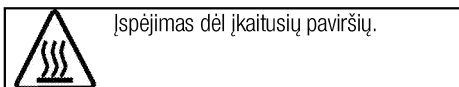
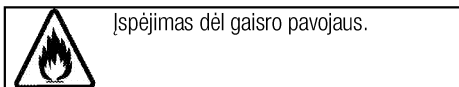
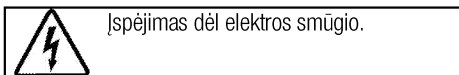
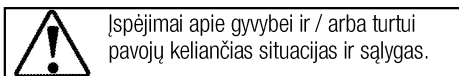
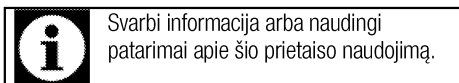
Gerbiamas pirkėjų,

Ačiū, kad pasirinkote „Beko“ gaminį. Tikimės, kad šiuo gaminiu, kuris buvo pagamintas naudojantis aukščiausios kokybės moderniausių technologijų, liksite patenkinti. Todėl prieš naudojantis šiuo prietaisu prašome perskaityti visą šį vartotojo vadovą ir prie jo pridėjusius dokumentus ir pasilikti juos, jei jų prireiktų ateityje. Jeigu atiduotumėte šį gaminį kam nors kitam, kartu atiduokite ir šį vartotojo vadovą. Vadovaukitės visais šiame vartotojo vadove pateikiamais įspėjimais ir informacija.

Atminkite, kad šis vartotojo vadovas taip pat taikytinas keletui kitų modelių. Šiame vadove nurodoma, kuo skiriasi įvairūs modeliai.

Simbolių paaiškinimas

Šiame vartotojo vadove naudojami šie simboliai:



Arçelik A.Ş.
Karaağaç caddesi No:2-6
34445 Sütlüce/İstanbul/TURKEY
Made in TURKEY

1 Svarbūs nurodymai ir įspėjimai dėl saugos ir aplinkosaugos 4

Bendrieji saugos reikalavimai..... 4
 Sauga atliekant dujų prijungimo darbus..... 4
 Elektros sauga..... 6
 Gaminio sauga..... 7
 Numatytoji naudojimo paskirtis 9
 Vaikų sauga..... 9
 Seno gaminio išmetimas 9
 Pakavimo medžiagų išmetimas..... 9

2 Bendra informacija 10

Apžvalga 10
 Komplekto turinys 11
 Techniniai duomenys 12
 Purkštukų lentelė..... 12

3 Įrengimas 13

Prieš įrengiant 13
 Įrengimas ir prijungimas 14
 Dujų konversija 17
 Būsimas transportavimas 18

4 Paruošimo Darbai 19

Patarimai, kaip taupyti energiją..... 19
 Naudojant pirmą kartą..... 19
 Pirmasis prietaiso valymas..... 19
 Pradinis šildymas..... 19

5 Kaip naudoti šią voryklę 20

Bendroji informacija apie maisto gaminimą..... 20
 Kaitlenčių naudojimas..... 20

6 Kaip naudoti orkaitę 22

Bendroji informacija apie kepimą, kepinimą ir kepimą grilyje..... 22
 Kaip naudoti elektrinę orkaitę 22
 Veikimo režimai..... 23
 Orkaitės laikrodžio naudojimas 24
 Maisto gaminimo laiko lentelė 24
 Kaip naudoti grilį 25
 Maisto gaminimo grilyje laiko lentelė 25

7 Techninis aptarnavimas ir priežiūra 26

Bendroji informacija..... 26
 Kaitlentės valymas..... 26
 Valdymo skydo valymas..... 26
 Orkaitės valymas 26
 Orkaitės durelių išėmimas..... 27
 Durelių vidinės stiklo plokštės išėmimas 27
 Orkaitės lemputės keitimas 28

8 Triukčių nustatymas 29

1 Svarbūs nurodymai ir įspėjimai dėl saugos ir aplinkosaugos

Šiame skyriuje pateikiamos saugos instrukcijos, kurių laikydamiesi apsaugosite nuo susižeidimo ar materialinės žalos pavojų. Nesilaikant šių instrukcijų bet kokia prietaiso garantija nebegalios.

Bendrieji saugos reikalavimai

- Šį prietaisą galima naudoti vaikams nuo 8 metų amžiaus ir asmenims, turintiems psichinių, jutiminių arba protinių negalių arba patirties bei žinių trūkumo, jeigu jie yra prižiūrimi arba instruktuojami, kaip saugiai naudoti šį prietaisą, ir supranta atitinkamus pavojus. Neleiskite vaikams žaisti su šiuo prietaisu. Vaikams draudžiama valyti ir techniškai prižiūrėti šį gaminį, nebent juos prižiūrėtų suaugusieji.
- Šio prietaiso negalima naudoti asmenims (įskaitant vaikus), turintiems fizinių, jutimo ar psichinių negalių arba neturintiems pakankamai patirties ir žinių, nebent jie būtų prižiūrimi arba instruktuoti. Neleiskite vaikams žaisti su šiuo prietaisu.
- Perduodant įrenginį kitam žmogui asmeniniam naudojimui ar atiduodant kaip panaudotą daiktą, taip pat būtina perduoti naudotojo

vadovą, įrenginio etiketes ir kitus susijusius dokumentus.

- Niekada prietaiso nestatykite ant grindų su kilimine danga. Tokiu atveju dėl nepakankamos oro tėkmės po prietaisu elektrinės dalys gali perkaisti. Tai sukels problemų naudojantis šiuo prietaisu.
- Remonto ir techninės priežiūros darbus visuomet privalo atlikti įgaliotojo techninio aptarnavimo centro atstovai. Gamintojas nėra atsakingas už žalą, kilusią dėl darbų, kuriuos atliko neįgalioji asmenys; tokiu atveju garantija gali nebegalioti. Prieš montuodami atidžiai perskaitykite instrukcijas.
- Nenaudokite prietaiso, jeigu jis turi defektų arba yra regimai pažeistas.
- Po kiekvieno naudojimo patikrinkite, ar išjungėte prietaiso valdymo mygtukus.

Sauga atliekant dujų prijungimo darbus

- Darbus su bet kokiais dujiniais prietaisais ir sistemomis gali atlikti tik įgaliotieji kvalifikuoti asmens.
- Prieš pradėdami įrengimą, įsitinkinkite, ar vietos dujų tiekimo sąlygos (slėgis ir dujų rūšis)

atitinka šio buitinio prietaiso nustatymą.

- Šis prietaisas nėra prijungtas prie įtaiso, šalinančio degimo metu susidariusius produktus. Jį reikia įrengti ir prijungti atsižvelgiant į galiojančius prietaisų prijuntimo reglamentus. Ypač reikia atkreipti dėmesį į atitinkamus vėdinimo reikalavimus; žr. *Prieš įrengiant, puslapis 13*
- Naudojant dujinę viryklę, patalpoje, kur ji įrengta, skleidžiama šiluma, drėgmė ir degimo produktai. Pasirūpinkite, kad virtuvė būtų gerai vėdinama, kai prietaisas naudojamas: natūralias vėdinimo angas laikykite atviras arba įrengkite mechaninės ventiliacijos įtaisus (mechaninį gartraukį). Jeigu prietaisas intensyviai eksploatuojamas ilgą laiką, gali prireikti papildomos ventiliacijos, pavyzdžiui, padidinant mechaninės ventiliacijos (jeigu ji įrengta) pajėgumą.
- Dujiniai prietaisai ir sistemos turi būti reguliariai tikrinami, ar jie tinkamai veikia. Privaloma reguliariai tikrinti reguliatorių, žarną bei jos spaustuką ir keisti juos kas gamintojo rekomenduojamus laikotarpius arba esant būtinybei.

- Reguliariai valykite dujinius degiklius. Liepsna turi būti mėlyna ir degti tolygiai.
 - Šį gaminį reikia naudoti patalpose, kuriose yra tinkamai sureguliuotas ir veikiantis anglies monoksido jutiklis. Įsitikinkite, kad anglies monoksido jutiklis veikia tinkamai ir dažnai atliekama techninė priežiūra. Anglies monoksido jutiklį reikia įdiegti daugiausiai už 2 metrų nuo gaminio.
 - Dujiniuose prietaisuose privalo būti gerai sudeginamos dujos. Nevisiškai sudegus dujoms, gali susidaryti anglies monoksido (CO) dujų. Anglies monoksidas - bespalvės, bekvapės, nepaprastai nuodingos dujos, kurių net maža dozė gali būti mirtina.
 - Teiraukitės informacijos apie dujų avarinės tarnybos telefono numerius ir saugos priemones tais atvejais, jei pajustumėte sklindantį dujų kvapą.
- Ką daryti, jei jaučiamas dujų kvapas**
- Nenaudokite atviros ugnies ir nerūkykite. Nenaudokite jokių elektros mygtukų (pvz., lempos mygtuko, durų skambučio ir kt.). Nenaudokite laidinių ir mobiliojo ryšio telefonų. Sprogimo ir apsinuodijimo pavojus!
 - Atidarykite duris ir langus.

- Uždarykite visas dujinių prietaisų ir dujų matavimo prietaisų sklendes.
- Patikrinkite visus vamzdžius ir jungtis, ar jie tvirtai prijungti. Jei vis tiek uodžiate dujas, išeikite iš buto.
- Įspėkite kaimynus.
- Iškvieskite ugniagesių komandą. Skambinkite ne iš name esančio telefono.
- Negrįžkite į patalpas, kol jums nebus leista tai padaryti.

Elektros sauga

- Jeigu gaminys turi defektų, jo negalima naudoti, kol jo nepataisys įgaliotojo techninio aptarnavimo centro atstovas. Kyla elektros smūgio pavojus!
- Prijunkite šį gaminį prie įžeminto lizdo/elektros linijos, apsaugoto tinkamos kategorijos saugikliu kaip nurodyta skyriuje „Techniniai duomenys“. Ir naudojant su transformatoriumi, ir be jo, įsitikinkite, ar įžeminimo instaliavimą atliko kvalifikuotas elektrikas. Mūsų bendrovė nėra atsakinga už jokių nuostolių, patirtus naudojant gaminį, kuris nėra įžemintas pagal vietos reglamentus.
- Niekada neplaukite gaminio, purkšdami arba pildami ant jo vandenį! Kyla elektros smūgio pavojus!
- Niekada nelieskite kištukinio lizdo šlapiomis rankomis! Išjungdami niekuomet netraukite už elektros laido, ištraukite laikydami už kištuko.
- Atliekant montavimo, techninės priežiūros ir remonto darbus, šis gaminys privalo būti atjungtas nuo maitinimo tinklo.
- Jeigu gaminio jungiamasis kabelis būtų pažeistas, jį privalo pakeisti gamintojas, techninės priežiūros specialistas arba kiti panašios kvalifikacijos asmenys, kad būtų išvengta pavojaus.
- Prietaisą privaloma įrengti taip, kad prireikus jį galima būtų visiškai atjungti nuo tinklo. Nuo tinklo privaloma arba ištraukiant elektros kištuką, arba naudojant elektros sistemoje įrengtą jungiklį atsižvelgiant į statybos reglamentus.
- Naudojimo metu orkaitės galinis paviršius įkaista. Galiniame paviršiuje negalima prijungti dujų/elektros jungčių, nes jos gali būti pažeistos.
- Nepripauskite jungiamųjų laidų tarp orkaitės durelių ir korpuso; nenutieskite jo virš įkaitusių paviršių. Kitaip gali išsilydyti laido izoliacija ir dėl trumpojo jungimo kilti gaisras.
- Darbus su bet kokiais elektriniais prietaisais ir sistemomis gali

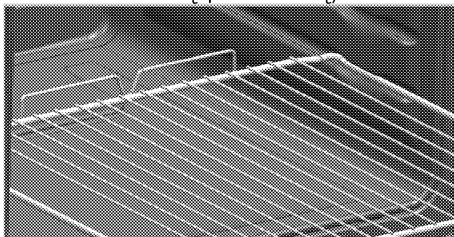
atlikti tik įgaliotieji kvalifikuoti specialistai.

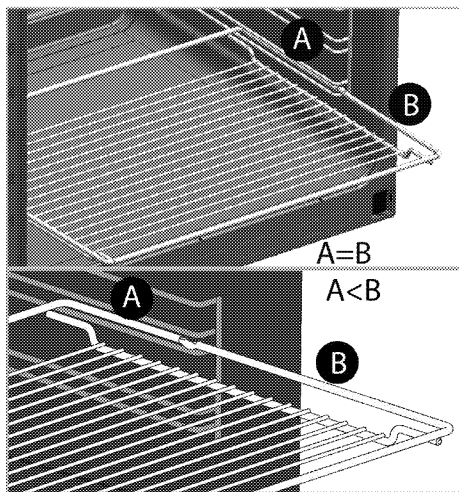
- Esant gedimui, išjunkite prietaisą ir atjunkite jį nuo maitinimo tinklo. Norint tai padaryti, pirma išjunkite namų tinklo saugiklį.
- Patikrinkite, ar saugiklio elektros saugos klasė yra tinkama šiam gaminiui.

Gaminio sauga

- ĮSPĖJIMAS: Prietaisas ir jo prieinamos dalys įkaista naudojimo metu. Būkite atsargūs ir neprisilieskite prie kaitinimo elementų. Neleiskite jaunesniems nei 8 metų amžiaus vaikams būti prie prietaiso, jeigu nuolat jų neprižiūrite.
- Nesinaudokite virykle, kai jūsų dėmesys arba koordinacija yra susilpnėjusi dėl alkoholio ir/arba narkotikų vartojimo.
- Būkite atsargūs, naudodami pateikaluose bet kokius alkoholinius gėrimus. Esant aukštai temperatūrai, alkoholis garuoja; prisilietęs prie karšto paviršiaus, jis gali užsiliepsnoti ir sukelti gaisrą.
- Nelaikykite šalia buitinio prietaiso jokių degių medžiagų, nes jo šonai naudojimo metu įkaista.
- Eksploatavimo metu prietaisas įkaista. Būkite atsargūs ir neprisilieskite prie kaitinimo elementų orkaitės viduje

- Pasirūpinkite, kad visos ventiliacijos angos būtų atviros.
- Nešildykite orkaitėje maisto skardinėse ir stiklainiuose. Skardinėje/stiklainyje susidaręs slėgis gali juos susprogdinti.
- Nedėkite kepimo skardų, indų ar aliuminio folijos tiesiai ant orkaitės dugno. Susikaupusi šiluma gali sugadinti orkaitės dugną.
- Orkaitės durelių stiklo nevalykite šiurkščiu abrazyviniu valikliu ar aštriais metaliniais gremžtukais, nes galite subraižyti paviršių ir dėl to stiklas gali sudužti
- Nevalykite prietaiso gariniais valymo prietaisais, nes galite patirti elektros smūgį.
- (Gali skirtis priklausomai nuo gaminio modelio.)
Kaip tinkamai ant bėgelių uždėti grilio groteles ir skardą
Svarbu tinkamai padėti grilio groteles ir (arba) riebalų surinkimo skardą ant bėgelių. Įstumkite grilio groteles arba riebalų surinkimo skardą tarp 2 skersinių ir, prieš dėdami ant jų maistą, patikrinkite, ar jie yra stabilūs (žr. toliau esantį paveikslėlį).





- Nenaudokite prietaiso, jeigu jo priekinis durelių stiklas yra išimtas arba suskilęs.
- Orkaitės rankena nėra skirta rankšluosčių džiovimui. Nekabinkite rankšluosčių, pirštinių ar panašių tekstilės gaminių, kai veikia grilio funkcija ir durelės yra praviros.
- Dėdami į orkaitę arba ištraukdami iš jos indus, visuomet mūvėkite šilumai atsparias pirštines.
- Įtieskite kepimo popierių į puodą ar patieskite ant skardos, grilio grotelių ar pan., sudėkite ant jo maistą ir įdėkite viską į įkaitintą orkaitę. Nuplėškite nereikalingus popieriaus kraštus, išsikišančius iš skartos, grilio grotelių ar puodo, kad jie neprisiliestų prie orkaitės kaitinimo elemento. Niekada nenaudokite kepimo popieriaus, kai temperatūra yra didesnei nei nurodyta kepimo popieriaus instrukcijose. Netieskite kepimo

popieriaus tiesiai ant orkaitės pagrindo.

- ĮSPĖJIMAS: Norėdami išvengti elektros smūgio, prieš pakeisdami lempuotę įsitinkinkite, kad prietaisas išjungtas.
 - Neuždenkite viršutinio dangčio, kol kaitvietės arba degikliai neatvės. Sausai nušluostykite viršutinį dangtį prieš jį atidarydami, kad į viryklės galinę ir vidinę dalis nepakliūtų vandens.
 - Prietaiso negalima montuoti už dekoratyvinių durelių, kad neperkaistų.
 - Prietaisą būtina statyti tiesiai ant grindų. Jo negalima statyti ant pagrindo ar stovo.
 - ĮSPĖJIMAS: Neprižiūrimas maisto gaminimas ant kaitlentės su riebalais ar aliejumi gali būti pavojingas ir sukelti gaisrą. NIEKADA negesinkite gaisro vandeniu, bet išjunkite prietaisą ir tada uždenkite liepsną, pvz., dangčiu arba gesinimo apdangalu.
 - DĖMESIO: Maisto ruošimo procesą reikia prižiūrėti. Trumpalaikį maisto ruošimo procesą reikia prižiūrėti nuolat.
 - ĮSPĖJIMAS: Gaisro pavojus: Nelaikykite daiktų ant maisto gaminimo paviršių.
- Norėdami užtikrinti gaminio apsaugą nuo gaisro:
- Kištuką į elektros lizdą privaloma įkišti taip, kad nekiltų kibirkščių.

- Nenaudokite pažeisto arba įpjauto kabelio, o taip pat ilginimo laidų; naudokite tik originalų kabelį.
- Į elektros lizdą jokiais būdais negalima kišti drėgno arba sušlapusio kištuko.
- Privaloma tinkamai prijungti dujų tiekimo įrangą, kad nebūtų dujų nuotėkio.

Numatytoji naudojimo paskirtis

- Šis gaminys skirtas naudoti tik buityje. Jį draudžiama naudoti komercinei veiklai.
- Šis prietaisas skirtas tik maistui gaminti. Prietaiso negalima naudoti kitiems tikslams, pavyzdžiui, patalpai šildyti.
- Šio prietaiso negalima naudoti lėkštėms po kepimo grotelėmis šildyti, rankšluosčiams bei šluostėms ir pan. ant rankenos kabinti, daiktams džiovinti ir patalpoms šildyti.
- Gamintojas neatsako už jokią žalą, patirtą netinkamai naudojant arba prižiūrint prietaisą.
- Orkaitę galima naudoti maistui atšildyti, kepti, kepti ir kepti grilyje.

Vaikų sauga

- ĮSPĖJIMAS: Naudojimo metu pasiekiamos dalys gali labai įkaisti. Neleiskite prie jų būti mažamečiams vaikams.
- Pakavimo medžiagos gali kelti pavojų vaikams. Saugokite pakavimo medžiagas nuo vaikų. Išmeskite visas pakuotės dalis

atsižvelgdami į aplinkosaugos reikalavimus.

- Elektriniai ir (arba) dujiniai prietaisai gali būti pavojingi vaikams. Gaminiui veikiant, neleiskite artyn vaikų ir neleiskite jiems žaisti su šiuo prietaisu.
- Virš prietaiso nelaikykite daiktų, kuriuos vaikai gali bandyti pasiekti.
- Ant atidarytų priekinių durelių nedėkite sunkių daiktų ir neleiskite vaikams ant jų sėdėti. Prietaisas gali apvirsti arba gali būti sugadinti durelių vryiai.

Seno gaminio išmetimas

WEEE Direktyvos ir senų gaminių išmetimo taisyklių atitiktis:



Šis gaminys atitinka ES WEEE Direktyvą (2012/19/ES). Šis gaminys paženklintas elektros ir elektroninės įrangos klasifikavimo (WEEE) ženklu.

Šis gaminys pagamintas iš aukštos kokybės medžiagų ir dalių, kurias galima perdirbti ir pakartotinai panaudoti. Pasibaigus gaminio tarnavimo laikui, neišmeskite jo kartu su įprastomis buitinėmis atliekomis. Atiduokite jį į surinkimo punktą, kad elektros ir elektronikos įranga būtų perdirbta. Surinkimo punktų adresus sužinosite vietos savivaldybėje.

RoHS direktyvos atitiktis:

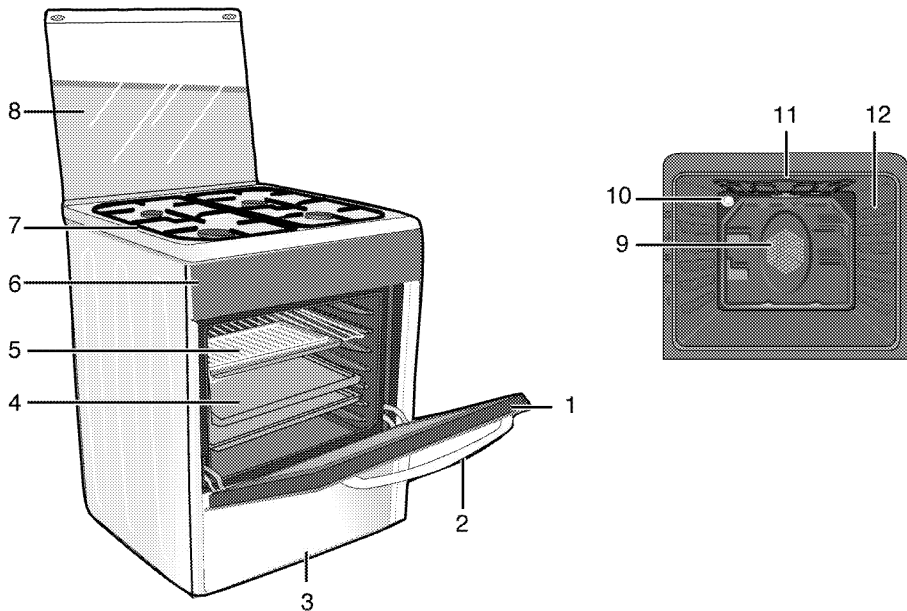
Jūsų įsigytas gaminys atitinka ES RoHS Direktyvą (2011/65/ES). Jame nėra šioje Direktyvoje nurodytų kenksmingų ir draudžiamų medžiagų.

Pakavimo medžiagų išmetimas

- Pakavimo medžiagos gali būti pavojingos vaikams. Pakavimo medžiagas laikykite vaikams nepasiekiamoje vietoje. Šio gaminio pakavimo medžiagos pagamintos iš pakartotinai panaudojamų medžiagų. Tinkamai jas išmeskite ir išrūšiuokite, atsižvelgdami į atliekų perdirbimo instrukciją. Neišmeskite jų kartu su įprastomis buitinėmis atliekomis.

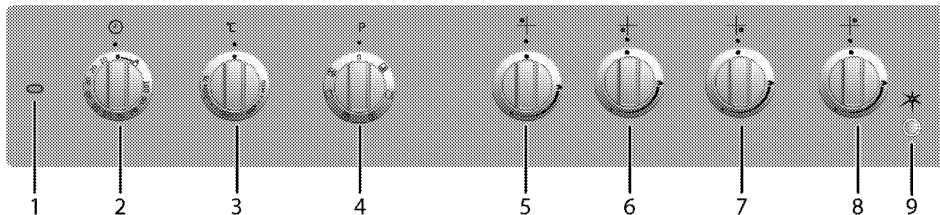
2 Bendra informacija

Apžvalga



- 1 Priekinės durėlės
- 2 Rankena
- 3 Apatinė dalis
- 4 Skarda
- 5 Grilio grotelės
- 6 Valdymo skydelis

- 7 Degiklio plokštė
- 8 Viršutinis dangtis
- 9 Ventiliatoriaus variklis (už plieno plokštės)
- 10 Lemputė
- 11 Grilio šildymo elementas
- 12 Lentynos padėtis



- 1 Termostato lemputė
- 2 Mechaninis laikmatis
- 3 Termostato rankenėlė
- 4 Funkcijų parinkimo rankenėlė
- 5 Įprastas degiklis Galinis kairysis

- 6 Greitasis degiklis Priekinis kairysis
- 7 Atsarginis degiklis Priekinis dešinysis
- 8 Įprastas degiklis Galinis dešinysis
- 9 Uždegimo mygtukas

Komplekto turinys

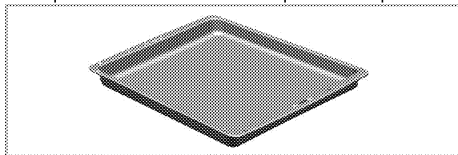


Pateikti priedai gali skirtis priklausomai nuo gaminio modelio. Jūsų gaminyje gali būti ne visi vartotojo vadove aprašyti priedai.

1. **Vartotojo vadovas**

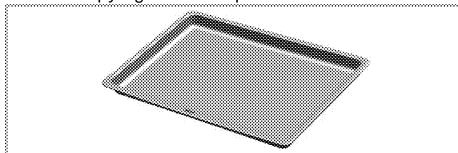
2. **Orkaitės kepimo skarda**

Naudojama pyragaičiams, šaldytiems maisto produktams ir didelėms kepsniams kepti.



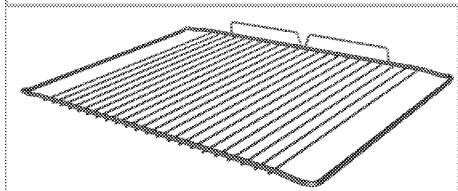
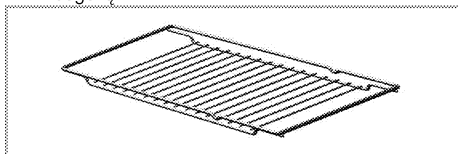
3. **Kepimo skarda pyragui**

Naudojama tešlainiams, pavyzdžiui, sausainiams arba pyragaičiams kepti.



4. **Grilio grotelės**

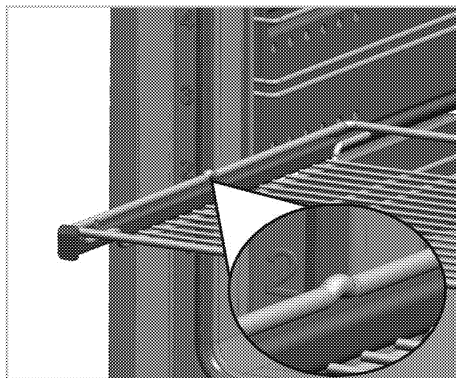
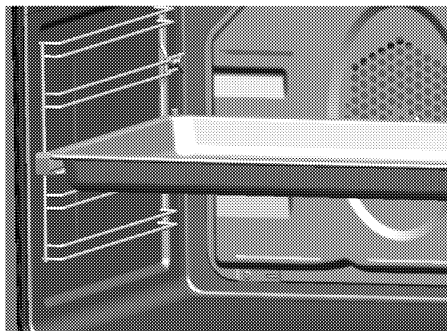
Naudojamos kepinimui ir maisto produktams, kurie bus kepami, kepinami arba gaminami troškinimo induose, dedamos ant pageidaujamo bėgelių.



5. **Kaip tinkamai įdėti grilio grotelės ir skardą ant ištraukiamų bėgelių (Ši funkcija yra pasirinktinė. Jūsų gaminyje jos gali nebūti.)**

Ištraukiami bėgeliai leidžia lengvai įdėti ir išimti skardas bei grilio grotelės.


Naudodami skardą ir grilio grotelės su ištraukiamais bėgeliais, įsitikinkite, kad ištraukiamų bėgelių galinėje dalyje esantys kaiščiai būtų atremti į grilio grotelių ir skardos kraštus.




Techniniai duomenys

BENDRA INFORMACIJA	
Išoriniai matmenys (aukštis / plotis / gylis)	850 mm/600 mm/600 mm
Įtampa/dažnis	220-240 V ~ 50 Hz
Bendrosios energijos sąnaudos	2.4 kW
Saugiklis	16 A
Laido tipas/ skerspjūvis	min.H05W-FG 3 x 1,5 mm ²
Dujinio gaminio kategorija	II 2H3B/P / II 2H3+ / I 2H
Dujų rūšis/slėgis	NG G 20/20 mbar
Bendros dujų sąnaudos	7.9 kW
Dujų rūšies / slėgio keitimas [§]	LPG G 30/28-30 mbar
– pasirenkama	Propanas 31/37 mbar
VIRYKLĖ	
2 degikliai	
Galinis kairysis	Įprastas degiklis
Energija	2 kW
Priekinis kairysis	Greitasis degiklis
Energija	2.9kW
Priekinis dešinysis	Atsarginis degiklis
Energija	1kW
Galinis dešinysis	Įprastas degiklis
Energija	2 kW
ORKAITĖ/GRILIS	
Pagrindinė orkaitė	Su ventiliatoriumi
Vidaus lemputė	15–25 W
Grilio energijos sąnaudos	2.2 kW


* Bendroji informacija: Elektrinių orkaitių energijos sąnaudų techninėje lentelėje esanti informacija pateikiama pagal EN 60350-1 / IEC 60350-1 standartą. Šie dydžiai yra nustatyti esant standartinei aprovali, veikiant apatinio-viršutinio kaitinimo arba kaitinimo naudojant ventiliatorių funkcijoms. Energijos efektyvumo klasė nustatyta pagal atsižvelgiant į šiuos prioritetus, priklausomai nuo to, ar atitinkamos funkcijos gaminyje yra, ar ne. 1- gaminimas naudojant ekonomišką kaitinimo ir ventiliatoriaus funkciją, 2- lėtas gaminimas naudojant terminio grilio funkciją, 3- gaminimas naudojant terminio grilio funkciją, 4- apatinio/viršutinio kaitinimo funkcijos naudojant ventiliatorių, 5- viršutinio ir apatinio kaitinimo funkcija.



Siekiant pagerinti šio gaminio kokybę, techniniai duomenys gali būti keičiami be išankstinio įspėjimo.



Šioje instrukcijoje nurodytos savybės yra schemiškos ir gali skirtis nuo gaminio savybių.



Mašinų kategorijos plokštelėse arba jas lydintuose dokumentuose nurodyti dydžiai gauti esant laboratorinėms sąlygoms, vadovaujantis atitinkamais standartais. Buitinių prietaisų sąnaudos ir reikšmės gali skirtis priklausomai nuo eksploatavimo ir aplinkos sąlygų.

Purkštukų lentelė

Degiklio padėtis	2 kW Galinis kairysis	2.9kW Priekinis kairysis	1kW Priekinis dešinysis	2 kW Galinis dešinysis
Dujų rūšis/dujų slėgis				
G 20/20 mbar	103	115	72	103
G 30/28-30 mbar	72	87	50	72
G 31/ 37 mbar	72	87	50	72

3 Įrengimas

Prietaisą įrengti turi kvalifikuotas specialistas, vadovaudamasis galiojančiais teisės aktais. Kitaip nebegalios gamtinio garantija. Gamintojas nėra atsakingas už žalą, kilusią dėl darbų, kuriuos atliko neįgaliojieji asmenys; tokiu atveju nebegalios ir garantija.



Vartotojas yra atsakingas už vietos, elektros ir dujų instaliacijos paruošimą šiam gaminiui.



PAVOJUS:

Šis prietaisas turi būti įrengtas ir prijungtas atsižvelgiant į galiojančius vietos dujų ir (arba) elektros prijungimo reglamentus.



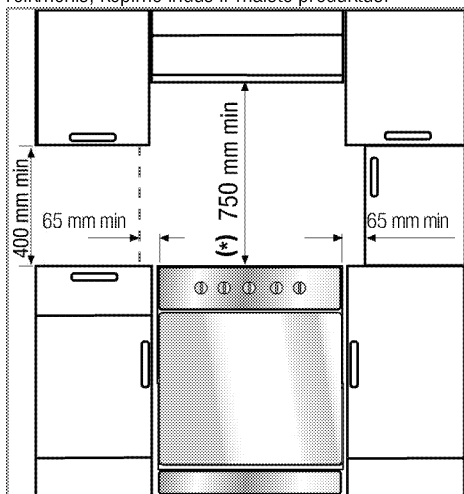
PAVOJUS:

Prieš pradėdant instaliaciją, apžiūrėkite šį gaminį, ar jis neturi kokių nors defektų. Jeigu turi, neinstaliuokite jo. Sugadinti gaminiai kelia pavojų jūsų saugai.

Prieš įrengiant

Siekiant užtikrinti, kad po šiuo gaminiu liktų būtinas tarpas orui cirkuliuoti, rekomenduojame statyti šį gaminį ant kieto pagrindo, kad jo kojelės nestovėtų ant jokių kilimų ar minkštos kiliminės dangos.

Virtuvės grindys turi būti pakankamai tvirtos, kad išlaikytų prietaiso svorį ir papildomą svorį: virtuvės reikmenis, kepimo indus ir maisto produktus.



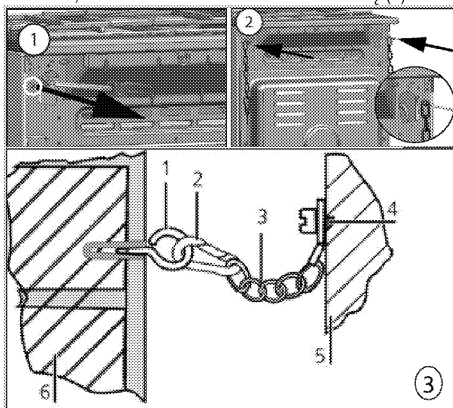
- Šį prietaisą galima naudoti spintelėse bet kurioje pusėje, bet, kad virš kaitvietės liktų mažiausiai 400 mm tarpas, tarpas tarp prietaiso ir šoninės sienos, sienelės ar aukštos spintelės turi būti bent 65 mm.

- Šį prietaisą galima statyti ir atskirai. Virš viryklės privaloma palikti mažiausiai 750 mm tarpą.
- (*) Jeigu virš viryklės bus montuojamas gartraukis, žr. gartraukio gamintojo instrukciją dėl tinkamo montavimo aukščio (min. 650 mm).
- Šis prietaisas atitinka 1 klasės prietaisų reikalavimus, t.y., jį galima statyti galine ir **viena** šonine senele prie virtuvės sienų, virtuvės baldų arba bet kokio dydžio įrenginio. Iš **kitos** pusės virtuvės baldas ar įrenginys gali būti tik tokio paties dydžio arba mažesnis.
- Bet koks prie šio prietaiso esantis virtuvės baldas privalo būti atsparus šilumai (bent iki 100 °C).

Apsauginė grandinė

Jeigu jūsų gaminyje yra 2 apsauginės grandinės;

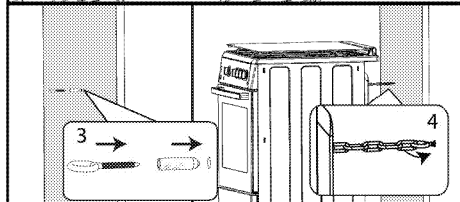
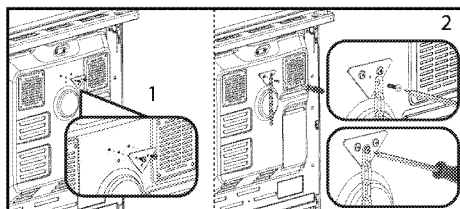
Prietaisas turi būti apsaugotas, kad neapvirštų, pritvirtinant jį dviem su orkaite pateiktomis apsauginėmis grandinėmis. Pritvirtinkite kabliuką (1) tinkamu varžtu prie virtuvės sienos (6) ir užkabinkite apsauginę grandinę (3) ant kabliuko, naudodami fiksavimo mechanizmą (2).



- 1 Stabilumo kabliukas
- 2 Fiksavimo mechanizmas
- 3 Apsauginė grandinė
- 4 Tvirtai pritaisykite grandinę prie viryklės galinės pusės
- 5 Viryklės galinė pusė
- 6 Virtuvės siena

Jeigu jūsų gaminyje yra 1 apsauginė grandinė;

Prietaisas turi būti apsaugotas, kad neapvirštų, pritvirtinant jį su orkaite pateikta apsaugine grandine. Vykdykite paveikslėlyje pavaizduotus veiksmus, kad pritvirtintumėte apsauginę grandinę prie gaminio.



i Stabilumo grandinė turi būti kuo trumpesnė, kad apsaugotų viryklę nuo pasvirimo į priekį, į šonus ir įstrižai.

Stabilumo grandinė viryklėms, kuriose nėra angos grandinės laikikliui įkabinti.

Kambario vėdinimas

Visose patalpose turi būti atidaromi langai arba juos atitinkančios vėdinimo priemonės, be to, kai kuriose patalpose reikės ir nuolatinės ventiliacijos angos. Oras degimo procesui palaikyti imamas iš kambario, o dujos ir garai išleidžiami tiesiai į tą patį kambarį. Todėl saugiam prietaiso veikimui užtikrinti būtinas geras vėdinimas.

Patalpos su durimis ir (arba) langais, atsidarančiais tiesiai į lauką

Duryse ir (arba) languose, kurie atsidaro tiesiai į lauką, turi būti bendra ventiliacijos anga, kurios matmenys nurodyti toliau pateikiamoje lentelėje pagal bendrą prietaiso dujinę galią (bendros prietaiso dujų sąnaudos parodytos šio vartotojo vadovo techninių specifikacijų lentelėje). Jei duryse ir (arba) languose nėra bendros ventiliacijos angos, atitinkančios bendras prietaiso dujų sąnaudas, nurodytas toliau pateikiamoje lentelėje, tada patalpoje privalo būti papildoma fiksuota ventiliacijos anga, kad būtų užtikrinti bendri minimalūs vėdinimo reikalavimai pagal prietaiso pasiekiamas bendras dujų sąnaudas. Fiksuota ventiliacijos anga gali apimti esamų tuščiaidurių plytų angų, garintuvo vamzdžio angos matmenis ir kt.

Bendros dujų sąnaudos (kW)	min. ventiliacijos anga (cm ²)
0–2	100
2–3	120
3–4	175
4–6	300
6–8	400

8–10	500
10–11,5	600
11,5–13	700
13–15,5	800
15,5–17	900
17–19	1 000
19–24	1 250

Patalpos, kuriose nėra durų ir (arba) langų, atsidarančių tiesiai į lauką

Jei patalpoje, kurioje įrengtas prietaisas, nėra durų ir (arba) lango, kuris atsidaro tiesiai į lauką, reikia ieškoti kitų produktų, kurie suteiktų fiksuotą nereguliuojamą ir neuždaromą ventiliacijos angą, atitinkančią bendrus minimalius ventiliacijos angų reikalavimus, taikomus prietaisui pagal anksčiau pateiktoje lentelėje nurodytas bendras dujų sąnaudas. Taip pat reikia laikytis atitinkamų pastatų taisyklių rekomendacijų.

Kai patalpoje arba vidinėje erdvėje yra daugiau nei vienas dujinis prietaisas, be reikalavimų, nurodytų anksčiau pateiktoje lentelėje, reikia įrengti papildomą ventiliacijos sritį. Papildomos ventiliacijos sritys dydis turi atitikti kitų dujinių prietaisų reikalavimus.

Patalpoje, kurioje įrengtas prietaisas, turi būti mažiausiai 10 mm atstumas po durimis, kurios atsidaro į vidines patalpas. Turite užtikrinti, kad tokie daiktai, kaip kilimai ir kitos grindų dangos, neturėtų poveikio atstumui, kai durys yra uždarytos.

Viryklę galima statyti virtuvėje, virtuvėje/valgomajame arba miegamajame/svetainėje, bet ne kambaryje, kuriame yra vonia arba dušas. Viryklės negalima statyti miegamajame/svetainėje, kurios plotas yra mažesnis nei 20 m³.

Nestatykite šio buitinio prietaiso patalpoje, kuri yra žemiau žemės lygio, nebent joje būtų atviras išėjimas į žemės paviršių bent iš vienos pusės.

Įrengimas ir prijungimas

Šį prietaisą reikia įrengti ir prijungti atsižvelgiant į įstatymuose dėl prijungimo numatytas taisykles.

i Nestatykite šio buitinio prietaiso prie šaldytuvo ar šaldiklio. Šio prietaiso skleidžiama šiluma padidins šaldymo prietaisų energijos sąnaudas.


- Prietaisą turi nešti bent du žmonės.
- Prietaisą būtina statyti tiesiai ant grindų. Jo negalima statyti ant pagrindo ar stovo.


i Nekelkite ir neperstatinėkite prietaiso, laikydami už jo durių ir (arba) rankenos. Apgadinamos durelės, rankenos ar vyriai.

Elektros įvadas


Prijunkite gaminių prie žeminto lizdo, apsaugoto tinkamos kategorijos miniatiūriniu grandinė


pertraukikliu, kaip nurodyta techninių duomenų lentelėje. Ir naudojant su transformatoriumi, ir be jo, įsitikinkite, ar įžeminimo instaliavimą atliko kvalifikuotas elektrikas. Mūsų bendrovė nėra atsakinga už jokią žalą, kuri gali atsirasti naudojant gaminį, kuris nėra įžemintas atsižvelgiant į vietos reglamentus.


 **PAVOJUS:**
Prietaisą prie maitinimo tinklo gali prijungti tik įgaliotasis kvalifikuotas meistras. Prietaiso garantija galioja tik tinkamai jį prijungus. Gamintojas nėra atsakingas už žalą, kilusią dėl darbų, kuriuos atliko neįgaliotieji asmenys.

 **PAVOJUS:**
Maitinimo laido negalima prispausti, sulenkti ar suspausti, jis neturi liestis prie įkaitusių prietaiso dalių.
Pažeistą maitinimo laidą privalo pakeisti kvalifikuotas elektrikas. Kitu atveju kyla elektros smūgio, trumpojo jungimo ar gaisro pavojus!

Maitinimo tinklo duomenys turi atitikti ant prietaiso esančioje kategorijos plokštelėje nurodytus duomenis. Kategorijos plokštelę pamatysite arba atidarė dureles arba apatiną dangtą, arba ji bus ant galinės prietaiso sienelės, priklausomai nuo prietaiso modelio. Šio gamtinio maitinimo laidas privalo atitikti techninių duomenų lentelėje nurodytus parametrus.


 Įrengus prietaisą, maitinimo laido kištukas turi būti lengvai pasiekiamas (nenutieskite laido virš viryklės).


 Atlikant elektros instaliaciją, privalote laikytis nacionalinių / vietos elektros taisyklių ir naudoti orkaitei tinkančius kištukinį lizdą / elektros liniją ir kištuką. Jeigu gamtinio galios apribojimai viršija elektros linijos lizdo ir kištuko srovės perdavimo gebą, gaminį reikia jungti naudojant stacionariąją elektros instaliaciją tiesiogiai, nenaudojant elektros linijos kištuko ir lizdo.

 **PAVOJUS:**
Prieš pradėdami bet kokius elektros prijungimo darbus, išjunkite gaminį iš maitinimo tinklo. Kyla elektros smūgio pavojus!


Išjunkite maitinimo laido kištuką į elektros lizdą.

Dujų prijungimas

 **PAVOJUS:**
Prietaisą prie dujų tiekimo sistemos gali prijungti tik įgaliotasis ir kvalifikuotas asmuo. Sprogimo ar apsinuodijimo rizika dėl neįgaliuotai atliktų remonto darbų!
Gamintojas nėra atsakingas už žalą, kilusią dėl darbų, kuriuos atliko neįgaliotieji asmenys.

 **PAVOJUS:**
Prieš pradėdami bet kokius dujų prijungimo darbus, išjunkite dujų tiekimą.
Kyla sprogimo pavojus!

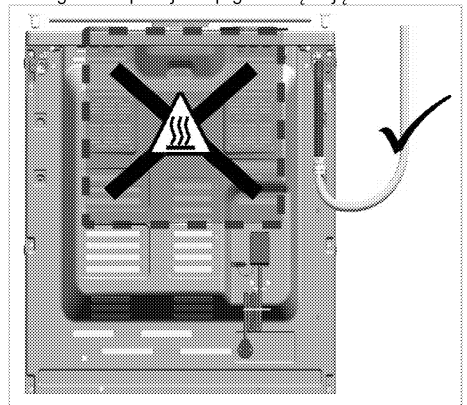
- Dujų reguliavimo sąlygos ir dydžiai pateikti duomenų lentelėse (arba duomenų plokštelėje).

 Šis prietaisas yra pritaikytas naudoti su gamtinėmis dujomis (GD).

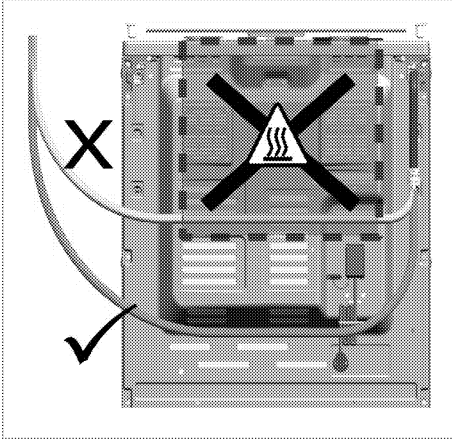
- Gamtinių dujų prijungimas turi būti tinkamai paruoštas prieš prijungiant prietaisą.
- Gamtinės dujos prie gamtinio prijungimo įgaliotoji tarnyba.
- Prie gamtinio gamtinių dujų prijungimo angos turi būti pritaisyta lanksti žarna, o šio vamzdžio galas turi būti užsandarintas aklidangčiu. Prijungiant aklidangtis bus ištrauktas ir gamtinis bus prijungtas naudojant plokščią prijungimo įtaisą (movą).
- Patikrinkite, ar įrengta gamtinių dujų sklendė.
- Jeigu vėliau jums reikės naudoti šį prietaisą su kita dujų rūšimi, privalote pasitarti su įgaliotąja technine tarnyba dėl atitinkamos pakeitimo procedūros.

Jeigu gaminyje yra tik viena dujų anga;

- Prieš prijungdami dujų žarną, įsitikinkite, kad gamtinio gale esanti žarnos anga yra toje pačioje gamtinio pusėje kaip gamtinių dujų sklendė.

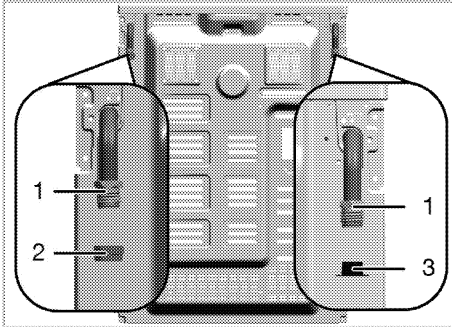


- Jei dujų žarnos anga ir gamtinių dujų sklendė nėra toje pačioje pusėje, prijungdami pasirūpinkite, kad žarna neitų per karštą sritį.



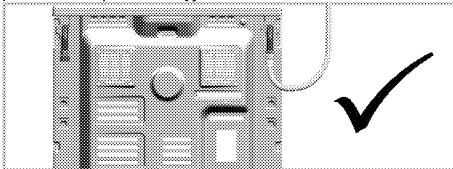
Jei gaminyje yra dvi dujų angos;

- Viena iš dviejų angų yra užsandarinta aklidangčiu, o kita – plastikiniu kaiščiu. Atsižvelgiant į gaminį, aklidangčio ir plastikinio kaiščio vietos gali skirtis.

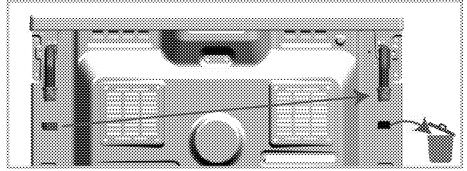


- 1 Dujų žarnos anga
- 2 Aklidangtis
- 3 Plastikinis kaištis

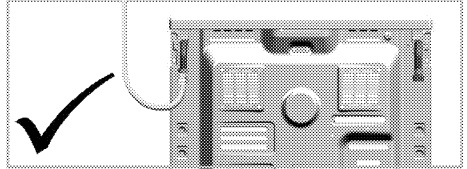
- Prieš prijungdami dujas įsitinkite, kad prie dujų jungiamo gamtinio dujų sklendė ir dujų žarnos anga yra toje pačioje pusėje.
- Jei gamtinių dujų sklendė ir plastikiniu kaiščiu užsandarinta dujų žarnos anga yra toje pačioje pusėje, prijunkite dujas, kaip parodyta toliau pateiktame paveikslėlyje.



- Jei gamtinių dujų sklendė ir aklidangčiu užsandarinta dujų žarnos anga yra toje pačioje pusėje, išimkite ir išmeskite plastikinį kaištį. Išimkite aklidangtį ir uždenkite dujų žarnos angą, prie kurios nebus prijungiamos dujos, nauju (nenaudotu) sandarinimo tarpikliu.




- Prijunkite dujas, kaip parodyta toliau pateiktame paveikslėlyje, prie dujų žarnos angos šalia gamtinių dujų sklendės.




Gaisro pavojus:

Jei prijungsite nesilaikydami toliau pateiktų nurodymų, kils dujų nuotėkis ir gaisro pavojus. **Mūsų įmonė nebus atsakinga dėl žalos, padarytos dėl šios priežasties.**

- Dujas turi prijungti tik įgaliotasis paslaugos teikėjas.
- Prie gaminio prijungiant dujas būtina reikia naudoti dujų žarnos angą šalia gamtinių dujų sklendės.
- Plastikinį kaištį reikia išmesti, o nenaudojamą dujų žarnos angą – užsandarinti aklidangčiu.
- Užsandarinant nenaudojamą dujų žarnos angą aklidangčiu, būtina naudoti naują ir nenaudotą sandarinimo tarpiklį.

PAVOJUS:
 Lanksti dujų žarna turi būti prijungta tokiu būdu, kad nesiliestų prie aplink ją judančių dalių ir neįstrigtų, kai judančios dalys juda. (Pvz., stalčiai.) Be to, jos negalima laikyti ten, kur ji gali būti suspausta.

PAVOJUS:
 Dujų tiekimo žarnos negalima prispausti, sulenkti ar suspausti, jis neturi liestis prie įkaitusių prietaiso dalių. Dėl sugadintos dujų tiekimo žarnos gali kilti sprogdimo pavojus.

Nuotėkio patikra ties prijungimo tašku

- Patikrinkite, ar išjungtos visos prietaiso rankenėlės. Patikrinkite, ar atsuktas dujų tiekimo

čiaupas. Paruoškite muilo putų ir užtepkite jų ant žarnos prijungimo taško, kad patikrintumėte, ar nėra dujų nuotėkio.

- Esant dujų nuotėkiui, atsiras muilo burbulų. Tokiu atveju nedelsdami dar kartą patikrinkite žarnos prijungimą.
- **Jeį gaminyje yra dvi dujų žarnos angos,** pasirūpinkite, kad nenaudojama dujų anga būtų užsandarinta aklidangčiu. Paruoškite muilo putų ir užtepkite jų ant aklidangčio prijungimo taško, kad patikrintumėte, ar nėra dujų nuotėkio. Esant dujų nuotėkiui, atsiras muilo burbulų. Tokiu atveju nedelsdami dar kartą patikrinkite aklidangčio prijungimą.
- Vietoj muilo galite naudoti parduodamus dujų nuotėkio patikros aerosolius.

i Dujų nuotėkio niekuomet netikrinkite degtukais ar žiebtuvėliu.

- Pristumkite prietaisą prie virtuvės sienos.
- **Orkaitės kojų reguliavimas**
Naudojant kylanti vibracija gali priversti prikaistuvius judėti. Šios pavojingos situacijos galima išvengti tinkamai išlyginus ir subalansavus prietaiso aukštį. Savo pačių saugumui pastatykite prietaisą tiesiai, reguliuodami keturias apačioje esančias kojeles, sukdamį jas kairėn arba dešinėn, kad prietaisas būtų sulgyintas su stalviršiu.

Galutinis patikrinimas

1. Patikrinkite elektros veikimą.
2. Atsukite dujų čiaupą.
3. Patikrinkite visas jungtis, ar jos tvirtai įtaisytos ir prijungtos.
4. Uždegikite degiklius ir patikrinkite, kaip dega liepsna.

i Liepsna turi būti mėlyna ir taisyklingos formos. Jei liepsna gelsva, patikrinkite, ar degiklio galvatė tvirtai uždėta arba nuvalykite degiklį.

Dujų konversija

PAVOJUS:
Prieš pradėdami bet kokius dujų prijungimo darbus, išjunkite dujų tiekimą.
Kyla sprogo pavojus!

Norėdami pakeisti buitiniame prietaise naudojamų dujų rūšį, pakeiskite visus purkštukus ir reguliuoti visus vožtuvus, kad liepsna būtų mažesnė.

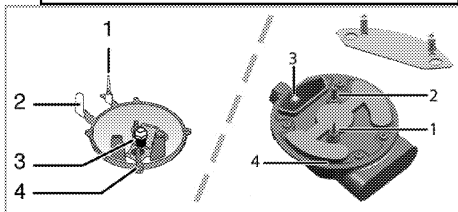
Degiklių purkštukų pakeitimas

1. Nuimkite degiklio galvatę ir degiklio korpusą.

2. Išsukite purkštukus, sukdamį prieš laikrodžio rodyklę.
3. Įtaisykite naujus purkštukus.
4. Patikrinkite visas jungtis, ar jos tvirtai įtaisytos ir prijungtos.

i Naujų purkštukų padėtis yra pažymėta ant jų pakuotės arba ją galima rasti lentelėje *Purkštukų lentelė, puslapis 12.*

i ((Gali skirtis priklausomai nuo gaminio modelio.))
Kai kurių degiklių purkštukai uždengti metaliniu gaubtu. Keičiant purkštuką šį metalinį gaubtą reikia nuimti.

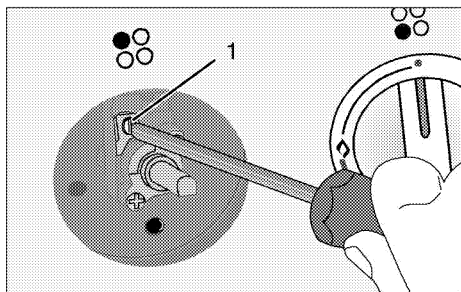


- 1 Dujų išjungimo įtaisas (jeigu įrengtas)
- 2 Uždegimo žvakė
- 3 Purkštukas
- 4 Degiklis

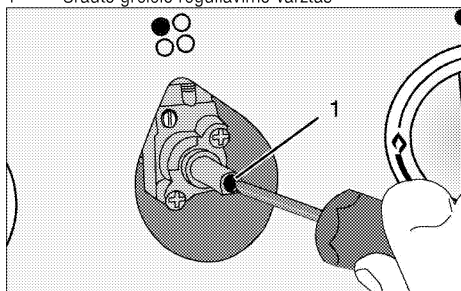
i Nebandykite nuimti dujinių degiklių čiaupų, nebent tai būtų būtina susidarius neįprastoms sąlygoms. Jeigu reikia keisti čiaupus, privalote iškviešti įgaliotą tarnybą.

Sumažintas dujų tiekimo srauto nustatymas viryklės čiaupams

1. Uždegikite degiklį, kurį reikia pareguliuoti, pasukite rankenėlę į mažesnės liespnos padėtį.
2. Nuimkite rankenėlę nuo dujų čiaupo.
3. Norėdami pareguliuoti dujų srauto reguliavimo varžtą, naudokite tinkamo dydžio atsuktuvą.
Jeigu naudojate suskystintąsias dujas, (butaną – propaną), sukite varžtą pagal laikrodžio rodyklę. Naudojant natūralias dujas, varžtą reikia vieną kartą pasukti **prieš laikrodžio rodyklę.**
» Sumažinus dujų vartojimą, paprastai liepsna turi būti 6–7 mm aukščio.
4. Jei liepsna didesnė, negu reikia, pasukite varžtą pagal laikrodžio rodyklę. Jei ji mažesnė – prieš laikrodžio rodyklę.
5. Patikrinkite, kaip dega dujos minimalioje ir maksimalioje jungiklio padėtyje.
6. Reguliavimo varžo padėtis gali skirtis, priklausomai nuo buitiniame prietaise naudojamo dujų čiaupo tipo.



1 Srauto greičio reguliavimo varžtas



1 Srauto greičio reguliavimo varžtas



Pakeitus prietaise naudojamų dujų rūšį, reikia pakeisti ir kategorijos plokštelę, kurioje nurodoma prietaise naudojamų dujų rūšis.

Būsimas transportavimas

- Išsaugokite originalią prietaiso dėžę ir vežkite prietaisą jo originalioje pakuotėje. Vadovaukitės ant dėžės pateiktais nurodymais. Jeigu neturite originalios kartoninės dėžės, supakuokite gaminį į plastikinę plėvelę su oro burbuliukais arba storą kartoną ir tvirtai apsuokite jį lipnia juosta.
- Norėdami apsaugoti, kad viduje esančios grilio grotelės ir skardos nesugadintų orkaitės durelių, skardų padėties lygyje lipnia juosta prilipdykite kartono juostelę prie vidinės durelių pusės. Lipnia juostele priklijuokite dureles prie orkaitės korpuso.
- Apsukite gaubtelius ir puodus atramas lipnia juosta.
- Nekelkite ir neperstatinėkite prietaiso, laikydami už jo durelių ir arba rankenos.



Nedėkite ant gaminio jokių daiktų ir neškite jį tik vertikaliaje padėtyje.



Apžiūrėkite prietaisą ir įsitinkinkite, ar jis nebuvo apgadintas gabenimo metu.

4 Paruošimo Darbai

Patarimai, kaip taupyti energiją

Ši informacija padės jums ekologiškiau naudoti šį buitinį prietaisą ir taupyti energiją.

- Naudokite tamos spalvos arba emale padengtus prikaistuvius, nes jie geriau perduoda šilumą.
- Gamindami patiekalus, įkaitinkite orkaitę, jeigu tai rekomenduojama vartotojo vadove arba pagal receptą.
- Gaminant maistą, dažnai nedarinėkite orkaitės durelių.
- Jeigu įmanoma, vienu metu orkaitėje stenkitės gaminti daugiau nei vieną patiekalą. Galite gaminti, padėję du kepimo indus ant vielinių grilio grotelių.
- Gaminkite daugiau nei vieną patiekalą vieną po kito. Orkaitė jau būtų įkaitusi.
- Galite sutaupyti energijos išjungdami orkaitę kelias minutes prieš kepimo pabaigą. Neatidarykite orkaitės durelių.
- Atšildykite užšaldytus maisto produktus prieš gamindami juos.
- Kepimui naudokite puodus/keptuves su dangčiais. Nenaudojant dangčių, energijos sąnaudos gali padidėti iki 4 kartų.
- Pasirinkite degiklį, labiausiai tinkamą pagal prikaistuvio, kurį naudosite, dugno dydį. Visuomet parinkite tinkamo dydžio prikaistuvius patiekalams ruošti. Didesniems prikaistuviams reikia daugiau energijos.

Naudojant pirmą kartą

Pirmasis prietaiso valymas



Tam tikros valymo priemonės ar valymo medžiagos gali apgadinti paviršių. Valydami nenaudokite šlifuojančių valymo priemonių, valymo miltelių/pienelio ar kokių nors aštrių daiktų.

1. Nuimkite visas pakavimo medžiagas.
2. Nuvalykite prietaiso paviršius drėgnu skudurėliu ar kempine, tuomet sausai nušluostykite.

Pradinis šildymas

Pakaitinkite prietaisą maždaug 30 minučių, tuomet išjunkite jį. Taip bus nudegintos ir pašalintos po gamybos likusios nuosėdos ir apsauginiai sluoksniai.



DĖMESIO

Karšti paviršiai gali nudeginti!

Naudojamas prietaisas gali įkaisti. Niekuomet nelieskite karštų degiklių, vidinių orkaitės dalių, šildytuvų ir pan. Neleiskite vaikų artyn. Dėdami į orkaitę ar ištraukdami iš jos indus, visuomet mūvėkite šilumai atsparias pirštines.

Elektrinė orkaitė

1. Iš orkaitės išimkite visas kepimo skardas ir groteles.
2. Uždarykite orkaitės dureles.
3. Pasirinkite padėtį „Statinis“.
4. Parinkite didžiausią grilio galingumą; žr. *Kaip naudoti elektrinę orkaitę, puslapis 22*.
5. Pakaitinkite orkaitę maždaug 30 minučių.
6. Išjunkite orkaitę; žr. *Kaip naudoti elektrinę orkaitę, puslapis 22*

Orkaitė su griliu

1. Iš orkaitės išimkite visas kepimo skardas ir groteles.
2. Uždarykite orkaitės dureles.
3. Parinkite didžiausią grilio galingumą; žr. *Kaip naudoti grilį, puslapis 25*.
4. Pakaitinkite orkaitę maždaug 30 minučių.
5. Išjunkite grilį; žr. *Kaip naudoti grilį, puslapis 25*



Pirmą kartą naudojant orkaitę, porą valandų gali kilti dūmų ir skliti nemalonūs kvapas. Tai visiškai normalu. Būtinai gerai išvėdinkite patalpą, kad joje neliktų dūmų ir nemalonaus kvapo. Stenkitės neįkvėpti dūmų ir jų skleidžiamo kvapo.

5 Kaip naudoti šią viryklę

Bendroji informacija apie maisto gaminimą



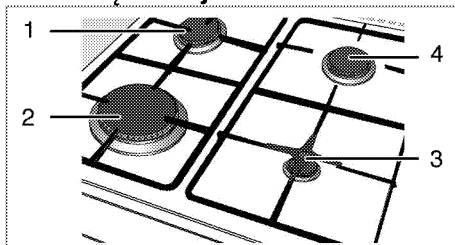
Aliejumi nepripildykite daugiau nei trečdaliai keptuvės. Kaitindami aliejų kaitvietės nepalikite be priežiūros. Dėl perkaitusio aliejaus gali kilti gaisras. **Niekuomet nebandykite gaisro gesinti vandeniu!** Aliejui užsidegus, uždekite jį audiniu gaisrui gesinti ar drėgnu skudurėliu. Išjunkite kaitvietę, jei tai padaryti saugu, ir kvieskite ugniagesius.

- Prieš kepdami maisto produktus, visada kruopščiai juos nusausinkite ir lėtai dėkite į karštą aliejų. Prieš kepimą būtina visiškai atšildykite užšaldytus maisto produktus.
- Kaitindami aliejų, neuždenkite prikaistuvio.
- Puodus ir keptuves ant kaitlentės dėkite taip, kad jų rankenos nebūtų virš kaitviečių ir neįkaisty.
- Ant kaitlentės nedėkite nesubalansuotų ir lengvai virstančių indų.
- Nedėkite tuščių indų ir prikaistuvių ant įjungtų kaitviečių. Jie gali būti sugadinti.
- Laikant įjungtą kaitvietę be indo ar prikaistuvio, gaminys gali sugesti. Pabaigę gaminti, išjunkite kaitvietes.
- Gaminio paviršius gali būti įkaitęs, todėl nedėkite ant jo plastikinių ir aliumininių indų. Tokiuose induose nereikėtų laikyti ir maisto produktų.
- Naudokite tik prikaistuvius arba indus plokščiais dugnais.
- Į prikaistuvius ir indus dėkite tinkamą maisto produktų kiekį. Tuomet nereikės bereikalingai valyti, nes patiekalai neišbėgs. Nedėkite ant kaitviečių puodų arba keptuvių dangčių. Prikaistuvius dėkite taip, kad jie būtų kaitviečių viduryje. Jeigu norite perkelti prikaistuvį ant kitos kaitvietės, pakelkite ir padėkite jį ant kaitvietės, o ne traukite jį paviršiumi.

Gaminimas naudojant dujas

- Indo dugno ir liepsnos skersmenys privalo atitikti vienas kitą. Parguliuokite dujų liepsnas, kad jų nesimatyty iš po puodo dugno; padėkite puodą ant puodų atramos, per vidurį.

Kaitlenčių naudojimas



- 1 Įprastas degiklis 18-20 cm
- 2 Greitasis degiklis 22-24 cm
- 3 Atsarginis degiklis 12-18 cm
- 4 Įprastas degiklis 18-20 cm yra rekomenduojamo skersmens puodų, kuriuos reikia naudoti ant atitinkamų degiklių, sąrašas.



DĖMESIO

Nenaudokite didesnių ar mažesnių nei anksčiau nurodyta matmenų kepimo indų. Naudojant didesnius kepimo indus kyla pavojus apsinuodyti anglies monoksidu, perkaitinti gretimus paviršius ir valdymo rankenėles. Naudojant mažesnius kepimo indus kyla pavojus apsideginti liepsna.

Didelės liepsnos simbolis atitinka didžiausią virimo galingumą, mažos liepsnos simbolis - mažiausią virimo galingumą. Išjungimo padėtyje (viršutinėje), dujų tiekimas į degiklius yra išjungtas.

Dujinių degiklių uždegimas



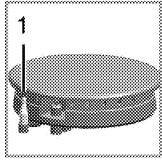
Dujiniai degikliai uždegami uždegimo mygtukais.

1. Laikykite nuspaudę degiklio rankenėlę.
2. Sukite ją prieš laikrodžio rodyklę link didelės liepsnos simbolio.
3. Paspauskite ir atleiskite uždegimo mygtuką. Kartokite veiksmą, kol dujos užsiliepsnos.
4. Nustatykite norimą virimo galingumą.

Dujinių degiklių išjungimas

Pasukite šilumos palaikymo srities rankenėlę į išjungimo (viršutinę) padėtį.

Dujų išjungimo saugos sistema (modeliuose su terminiu elementu)



1. Dujų išjungimo sauga

Saugos priemonė: jeigu ant degiklių išsilieja skysčio ir liepsna užgesa, suveikia saugos mechanizmas, kuris išjungia dujų tiekimą.

- Norėdami uždegti, įspauskite rankenėlę vidun ir sukite ją prieš laikrodžio rodyklę.
- Dujoms užsidegus, palaikykite rankenėlę nuspaudę dar 3–5 sekundes, kad būtų įjungta saugos sistema.
- Jeigu paspaudus ir atleidus rankenėlę dujos neuždegamos, pakartokite tą pačią procedūrą, palaikydami rankenėlę nuspaudę 15 sekundžių.



PAVOJUS:

Jei degiklis neuždegamas per 15 sekundžių, atleiskite mygtuką.

Prieš bandydami dar kartą, palaukite bent 1 minutę. Kyla dujų susikaupimo ir sproginimo rizika!

6 Kaip naudoti orkaitę

Bendroji informacija apie kepimą, kepinimą ir kepimą grilyje



DĖMESIO

Karšti paviršiai gali nudeginti!
Naudojamas prietaisas gali įkaisti. Niekumet nelieskite karštų degiklių, vidinių orkaitės dalių, šildytuvų ir pan. Neleiskite vaikų artyn.
Dėdami į orkaitę ar ištraukdami iš jos indus, visuomet mūvėkite šilumai atsparias pirštines.



PAVOJUS:

Atidarydami dureles, būkite atsargūs, nes pro jas gali išeiti garai.
Karšti garai gali nudeginti rankas, veidą ir (arba) akis.

Patarimai dėl kepimo

- Naudokite tinkamas nepridegančias metalines lėkštes, aliumininius indus arba šilumai atsparias silicio formas.
- Geriausiai išnaudokite grotelių vietą.
- Kepimo formą dėkite grotelių viduryje.
- Prieš jungdami orkaitę arba grilį, pasirinkite tinkamą grotelių padėtį. Nekeiskite grotelių padėties, kai orkaitė yra įkaitusi.
- Orkaitės durelės turi būti uždarytos.

Patarimai dėl kepinimo

- Visa višta, kalakutas ir dideli mėsos gabalai iškeps geriau, jeigu prieš tai juos palaikysite marinatuose, pavyzdžiui, citrinų sulčių ir juodųjų pipirų.
- Mėsai su kaulais iškepti reikia maždaug 15 - 30 minučių daugiau, nei kepat tokio paties dydžio kepsnį be kaulų.
- Turėtumėte apskaičiuoti kepsnio kepimo laiką: vienas mėsos centimetras į aukštį iškepa per 4 - 5 minutes.
- Mėsai iškepus, palikite ją orkaitėje dar maždaug 10 minučių. Sultys geriau pasiskirsto kepsnyje ir neišbėga, kai mėsa pjaustoma.
- Šilumai atspariame inde gaminamą žuvį reikėtų dėti ant grotelių viduriniame arba apatiniame lygyje.

Patarimai dėl kepimo grilyje

Keptant mėsą, žuvį ir paukštinę grilyje, mėsa greitai apskrunda, pasidengia gražia plutele ir nebūna sausa. Grilyje ypač tinka kepti kepsnius, ant iešmų kepaną mėsą ir dešreles bei daržoves, kuriose yra didelis kiekis vandens, pavyzdžiui, pomidorus ir svogūnus.

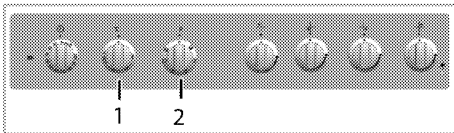
- Paskirstykite gabalėlius, kuriuos kepsite grilyje, ant vielinės lentynos arba kepimo skardoje su vieline lentyna taip, kad padengtas plotas nevirsytų šildytuvo dydžio.
- Įtaisykite vielinę lentyną arba kepimo skardą su grotelėmis pageidaujame orkaitės lygyje. Jeigu kepat grilyje ant vielinės lentynos, įtaisykite kepimo skardą žemesniame lygyje, kad į ją nuvarvėtų riebalai. Į kepimo skardą pripilkite truputį vandens, kad ją būtų lengviau išvalyti.



Dėl kepimui grilyje netinkamo maisto gali kilti gaisro pavojus. Grilyje kepkite tik tuos maisto produktus, kurie yra tinkami dideliam karščiui.
Nedėkite maisto per giliai į grilį. Tai karščiausia grilio vieta ir riebus maistas gali užsiliepsnoti.

Kaip naudoti elektrinę orkaitę

Temperatūros ir veikimo režimo parinkimas



- 1 Termostato rankenėlė
 - 2 Funkcijų parinkimo rankenėlė
1. Nustatykite orkaitės laikmatį į norimą kepimo padėtį; žr. *Orkaitės laikrodžio naudojimas, puslapis 24*.
 2. Funkcijų rankenėle nustatykite norimą darbo režimą.
 3. Temperatūros rankenėle nustatykite norimą temperatūrą.

» Orkaitė įkaista iki nustatytos temperatūros ir palaiko ją. Šildymo metu lieka degti temperatūros lemputė.

Elektrinės orkaitės išjungimas

Nustatykite orkaitės laikmatį į išjungimo padėtį

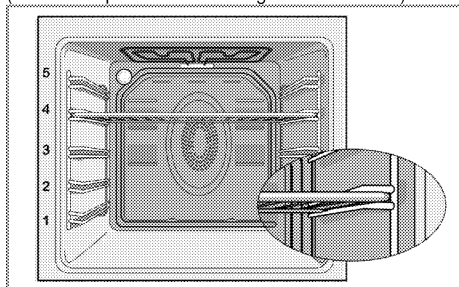


Nustačius laikmatį tam tikram laikui, suskaičiavęs laiką, jis išsijungs automatiškai; žr. *Orkaitės laikrodžio naudojimas, puslapis 24*

Pasukite funkcijų ir temperatūros rankenėles į išjungimo (viršutinę) padėtį.
Svarbu tinkamai padėti vielines grotėles ant vielinių grotelių. Vielinės grotelės privalo būti įdėtos tarp grotelių taip, kaip parodyta paveikslėlyje.

Neatremkite vielinių grotelių į orkaitės galinę sienelę. Pastumkite vielines groteles lentynos priekinės dalies link ir įtaisykite jas, naudodami dureles, kad grilis veiktų veiksmingiausiai.

(Gali skirtis priklausomai nuo gamtinio modelio.)



Veikimo režimai

Čia parodyta veikimo režimų tvarka gali skirtis nuo jūsų prietaiso režimų išdėstymo tvarkos.

Tradicinis kepimas



Veikia abu šildytuvai – ir viršutinis, ir apatinis. Maistas šildomas tolygiai - ir iš viršaus, ir iš apačios. Tinka, pavyzdžiui, tortams, pyragaičiams arba tortams ir troškiniams tešloje kepti. Kepkite įdėję tik vieną skardą.

Apat. šildymas



Veikia tik apatinis šildytuvas. Tinka picoms kepti ir paskesniai patiekalų apskrudinimui iš apačios.

Šią funkciją taip pat reikia naudoti norint lengvai valyti garais.



Apatinis/viršutinis kaitinimas su ventiliatoriumi



Veikia viršutinis bei apatinis kaitinimo elementai ir ventiliatorius (galinėje sienelėje). Ventiliatorius tolygiai paskirsto karštą orą orkaitėje. Kepkite įdėję tik vieną skardą.

Stiprus grilis



Veikia orkaitės viršuje esantis didysis grilis. Kepimo grotelės tinkamos kepti didelį mėsos kiekį.

- Dėkite dideles arba vidutinio dydžio porcijas tinkamoje lentynos padėtyje po grilio šildytuvu.
- Nustatykite maksimalią temperatūrą.
- Praėjus pusei numatyto kepimo grilyje laiko, apverskite patiekalą.

Grilis+vent.



Kepimo drilyje efektas nėra toks stiprus, kaip naudojant didįjį grilį.

- Dėkite mažas arba vidutinio dydžio porcijas tinkamoje lentynos padėtyje po grilio šildytuvu.
- Nustatykite norimą temperatūrą.
- Praėjus pusei numatyto kepimo grilyje laiko, apverskite patiekalą.

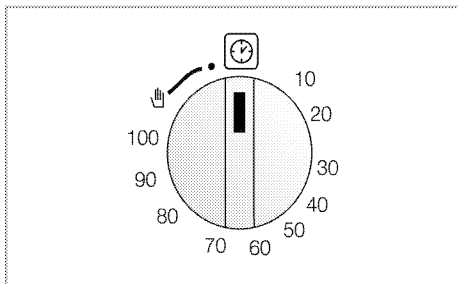
Galios didinimo funkcija



Ši funkcija naudojama norint greitai įkaitinti orkaitę; ji nėra tinkama maistui gaminti.

- Parinę šią funkciją, pasirinkite norimą temperatūrą. Užsidega temperatūros lemputė ir orkaitė kaitinama.
- Kaitinimo procesui pasibaigus, lemputė užgesa. Dabar pasirinkite norimą funkciją patiekalui kepti.

Orkaitės laikrodžio naudojimas



Kepimo pradžia



Norėdami naudoti orkaitę, privalote nustatyti kepimo režimą, norimą temperatūrą ir laiką. Kitaip orkaitė neveiks.

1. Norėdami nustatyti kepimo laiką, sukite laiko reguliavimo rankenėlę pagal laikrodžio rodyklę.
2. Įdėkite patiekalą į orkaitę.
3. Pasirinkite veikimo režimą ir temperatūrą; žr. *Kaip naudoti elektrinę orkaitę, puslapis 22.*

» Orkaitė įkaista iki nustatytos temperatūros ir išlaiko šią temperatūrą iki kepimo pasirinkto kepimo laiko pabaigos.

4. Pasibaigus kepimo laikui, laiko nustatymo rankenėlė automatiškai pasisuks prieš laikrodžio rodyklę. Pasigirsta įspėjimo signalas, rodantis, kad laikas baigėsi, ir orkaitė išjungiamą.



Jeigu laikmačio funkcijos nenaudosite, sukite rankenėlę prieš laikrodžio rodyklę ir nustatykite ją ties rankos simboliu.

5. Išjunkite orkaitę, pasukdami laiko, funkcijos ir temperatūros nustatymo rankenėles.

Orkaitės išjungimas nepasibaigus nustatytam laikui

1. Sukite laiko reguliavimo rankenėlę pagal laikrodžio rodyklę, kol ji nebesisuks.
2. Išjunkite orkaitę, pasukdami temperatūros ir funkcijos nustatymo rankenėles.

Maisto gaminimo laiko lentelė



Šioje diagramoje parodytas laikas yra tik kaip orientyras. Laikas gali skirtis priklausomai nuo maisto temperatūros, storio, tipo ir jūsų pageidaujamo kepimo būdo.

Kepimas ir kepinimas



1-ieji orkaitės bėgeliai yra **apatiniai** bėgeliai.

Patiekalas	Kepimo lygmens numeris		Grotelių padėtis	Temperatūra (°C)	Kepimo laikas (apytikslis, min.)
**Pyragėliai skardoje	Vienas lygis		4	175	30 ... 35
**Formose kepami pyragai	Vienas lygis		2	175	40 ... 50
**Pyragėliai popierinėse formelėse	Vienas lygis		3	175	20 ... 30
**Biskvitinis tortas	Vienas lygis		3	200	5 ... 10
**Sausainiai	Vienas lygis		3	175	20 ... 25
**Tešlainiai	Vienas lygis		2	200	30 ... 40
**Sviestiniai pyragaičiai	Vienas lygis		2	200	25 ... 35
**Mielinės tešla	Vienas lygis		2	200	35 ... 45
**Lazanija	Vienas lygis		2 - 3	200	30 ... 40
**Pica	Vienas lygis		2	200 ... 220	15 ... 20
Jautienos žiegtainis (nepjaustytas) / kepsnys	Vienas lygis		3	25 min. 250/maks., paskui 180 ... 190	100 ... 120
Eriuko koja (troškiny)	Vienas lygis		3	25 min. 220, paskui 180 ... 190	70 ... 90
Kepamas viščiukas	Vienas lygis		2	15 min. 250/maks., paskui 190	65 ... 70
Kalakutas (5,5 kg)	Vienas lygis		2	25 min. 250/maks., paskui 190	150 ... 210
Žuvis	Vienas lygis		3	200	20 ... 30

(**) Kepimo procesams, kuriems reikalingas išankstinis pakaitinimas, pakaitinkite orkaitę proceso pradžioje, kol bus pasiekta nustatyta temperatūra.

Patarimai dėl tortų kepimo

- Jeigu tortas yra per sausas, padidinkite temperatūrą 10 ir sumažinkite kepimo laiką.

- Jeigu tortas yra per šlapias, paruoškite tirštesnę tešlą arba sumažinkite temperatūrą 10 .
- Jeigu tortas per smarkiai apkepęs viršuje, dėkite jį ant žemesnės lentynos, sumažinkite temperatūrą ir padidinkite kepimo laiką.
- Jeigu jis gerai iškepęs viduje, bet lipnus viršuje, paruoškite tirštesnę tešlą, sumažinkite temperatūrą ir padidinkite kepimo laiką.

Patarimai dėl tešlos gaminių kepimo

- Jeigu tešlos kepiny yra per sausas, padidinkite temperatūrą 10 ir sumažinkite kepimo laiką. Sudrėkinkite tešlos sluoksnius kremu, pagamintu iš pieno, aliejaus, kiaušinių ir jogurto.
- Jeigu tešlos kepiny kepa pernelyg ilgai, pasirūpinkite, kad paruošto kepinio storis neviršytų formos gylio ir būtų lygus su formos kraštais.
- Jeigu kepinio viršutinė pusė apskrunda, o apatinė dalis neiškepa, įsitikinkite, kad kremas, kurį naudojate kepiniai, nebūtų pernelyg arti kepinio apačios. Pabandykite vienodai paskirstyti kremą tarp ir ant tešlos sluoksnių, kad kepinys tolygiai keptų.



Kepkite tešlos gaminius atsižvelgdami į kepimo lentelėje rekomenduojamą kepimo režimą ir temperatūrą. Jeigu kepinio apačia vis tiek nepakankamai iškepa, kitą kartą kepinį dėkite ant žemesnės lentynos.

Patarimai dėl daržovių kepinimo

- Jeigu daržovių patiekalas išdžiūsta ir tampa pernelyg sausas, kepkite inde su dangčiu, o ne

skardoje. Uždaruose induose patiekalas išliks sultingas.

- Jeigu daržovių patiekalas neiškepa, prieš tai apvirkite daržoves arba pamarinuokite jas, tuomet kepkite jas orkaitėje.

Kaip naudoti grilį



DĖMESIO

Naudodami grilį, uždarykite orkaitės dureles. Karšti paviršiai gali nudeginti!

- **Naudodami grilį, pasukite laiko reguliavimo rankenėlę prieš laikrodžio rodyklę, ties rankos simboliu.**

Grilio įjungimas

1. Pasukite funkcijų rankenėlę ties norimu grilio simboliu.
2. Tuomet pasirinkite norimą kepimo grilyje temperatūrą.
3. Jeigu reikia, iš anksto pašildykite orkaitę 5–7 minutes.

» Užsidega temperatūros lemputė

Grilio išjungimas

1. Pasukite funkcijų rankenėlę į išjungimo (viršutinę) padėtį.



Dėl kepinio grilyje netinkamo maisto gali kilti gaisro pavojus. Grilyje kepkite tik tuos maisto produktus, kurie yra tinkami dideliame karščiui.

Nedėkite maisto per giliai į grilį. Tai karščiausia grilio vieta ir riebus maistas gali užsiliepsnoti.

Maisto gaminimo grilyje laiko lentelė

Kepimas elektriniame grilyje

Maisto produktas	Grotelių padėtis	Rekomenduojama temperatūra (°C)**	Kepimo grilyje laikas (maždaug)
Žuvis	4...5	250/max	20...25 min. #
Pjaustytas vištukas	4...5	250/max	25...35 min.
Eršėtos žągtainiai	4...5	250/max	20...25 min.
Rost bifas	4...5	250/max	25...30 min. #
Veršienos kotletai	4...5	250/max	25...30 min. #
Duonos skrebučiai *	4	250/max	1...3 min.

priklausomai nuo storio
 *Pakaitinimas 5 minutes
 **Jeigu jūsų gamtinio grilio temperatūros negalima reguliuoti, grilis veiks maksimalia temperatūra.

7 Techninis aptarnavimas ir priežiūra

Bendroji informacija

Prietaisą reguliai valant, pailgėja gaminio naudojimo laikas ir sumažėja trikių atvejų.



PAVOJUS:

Prieš atlikdami techninę priežiūrą ir prieš valydami, prietaisą atjunkite nuo maitinimo tinklo.

Kyla elektros smūgio pavojus!



PAVOJUS:

Prieš valydami viryklę, leiskite jai atvėsti. Karšti paviršiai gali nudeginti!

- Kruopščiai išvalykite gaminį po kiekvieno panaudojimo. tada gaminimo likučius bus lengviau pašalinti, jie nepridegs orkaitę naudojant kitą kartą
- Prietaisui valyti nereikia jokių specialių valymo priemonių. Naudokite šiltą vandenį su trupučiu indų plovimo skysčio, minkštą skudurėlį ar kempinę gaminiiui valyti ir sausą skudurėlį drėgmei iššluostyti.
- Būtinai visada sausai nuvalykite bet kokius išsiliejusius arba po valymo likusius skysčius.
- Nerūdijančio plieno paviršiams ir rankenai valyti nenaudokite valymo priemonių, kurių sudėtyje yra rūgšties ar chloro. Tokias dalis valykite skystoje valymo priemonėje (be šveičiamųjų medžiagų) sudrėkintu skudurėliu; būtinai braukite viena kryptimi.
- (Ši funkcija yra pasirinktinė. Jūsų gaminyje jos gali nebūti.)
Stikliniam gaubtui valyti nenaudokite jokių kietų metalinių grandyklių arba šlifuojamųjų valymo priemonių. Gali būti pažeistas stiklo paviršius.



Tam tikros valymo priemonės ar valymo medžiagos gali apgadinti paviršius.

Valydami nenaudokite ėsdinančių valymo priemonių, valymo miltelių/pienelio ar kokių nors aštrių daiktų.



Šiam prietaisui valyti nenaudokite garinių valymo prietaisų, nes gali kilti elektros smūgis.

Kaitlentės valymas

Dujinės kaitlentės

1. Nuimkite ir nuvalykite puodų laikiklius bei degiklių dangtelius.
2. Išvalykite viryklę.
3. Uždėkite degiklių dangtelius ir patikrinkite, ar jie tinkamai įtvirtinti.

4. Montuodami viršutines grotėles, puodų laikiklius būtinai dėkite taip, kad degikliai būtų centruose.

Valdymo skydo valymas

Nuvalykite valdymo skydelį ir rankenėles drėgnu skudurėliu, paskui nušluostykite sausa šluoste.



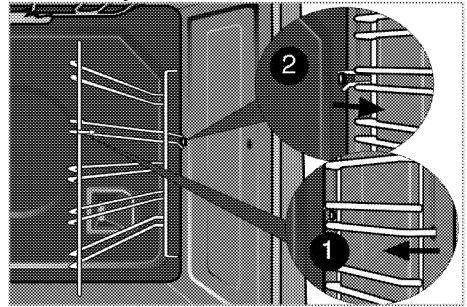
Jei jūsų gaminyje įtaisyti mygtukai / rankenėlės, valydami valdymo skydelį, nenuimkite valdymo rankenėlių. Galite sugadinti valdymo skydelį!

Orkaitės valymas

Norėdami išvalyti šoninę sienelę (Gali skirtis priklausomai nuo gaminio modelio.)

(Ši funkcija yra pasirinktinė. Jūsų gaminyje jos gali nebūti.)

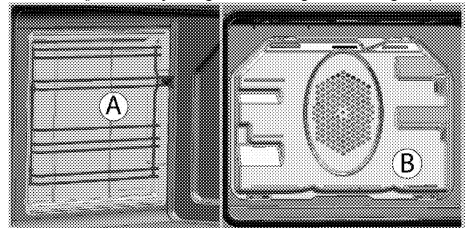
1. Ištraukite priekinę šoninę grotelių dalį, traukdami ją šalin nuo šoninės sienelės.
2. Visiškai išimkite šonines grotėles, traukdami jas link savęs.



Kataliziniai paviršiai

(Ši funkcija yra pasirinktinė. Jūsų gaminyje jos gali nebūti.)

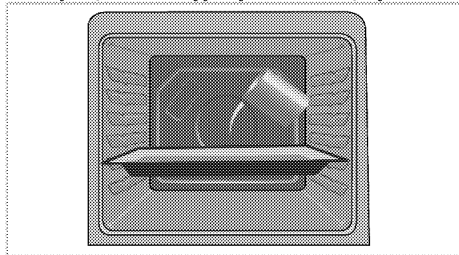
Vidinės šoninės (A) ir / arba galinė jūsų gaminio sienelė (B) gali būti padengta kataliziniu emaliu. Katalizinės sienelės yra šviesios matinės spalvos ir akyto paviršiaus. Katalizinių orkaitės sienelių valyti negalima. Akytas katalizinių sienelių paviršius išsivalo savaime, sugerdamas ir skaidydamas išsitaškusius riebalus (paverčia juos garais ir anglies dvideginiu).



Lengvas valymas garais

Ši funkcija užtikrina lengvą valymą, nes laiku neišvalytus (įsisenėjusius) nešvarumus suminkština orkaitėje esantys garai ir nuo jų orkaitėje susidaręs vandens lašelių kondensatas.

1. Išimkite iš orkaitės visus priedus.
2. Pripilkite į orkaitės kepimo skardą 500 ml vandens, ir įstatykite skardą į 2-ą orkaitės lentyną.



3. Pasirinkite valymas garais režimą ir leiskite jai paveikti 25 minutes, nustatę 100°C temperatūrą.
4. Atidarykite dureles ir drėgna kempine arba šluoste nušluostykite vidinius orkaitės paviršius.
5. Įsisenėjusius nešvarumus valykite minkštu drėgnu skudurėliu arba kempine su trupučiu indų plovimo skysčio, o paskui iššluostykite sausu skudurėliu.

Orkaitės durų valymas

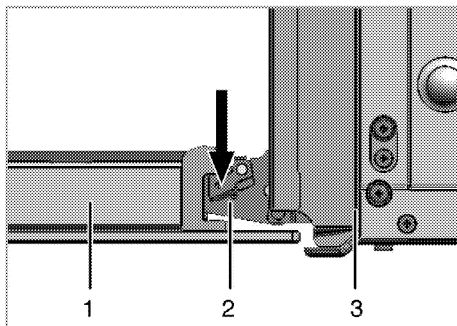
Norėdami išvalyti orkaitės dureles, naudokite šiltą vandenį su trupučiu indų plovimo skysčio, minkštą skudurėlį ar kempinę gaminiui valyti ir sausą skudurėlį drėgmei iššluostyti.



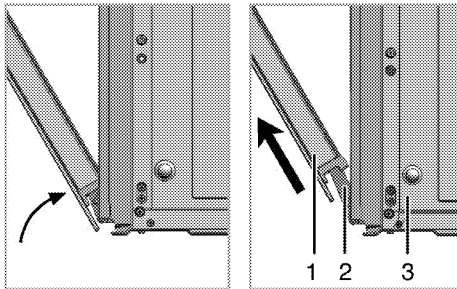
Orkaitės durelėms valyti nenaudokite jokių šiurkščių šlifuojamųjų valiklių arba sunkiųjų metalų grandyklų. Kitaip galite subraižyti paviršius ir sugadinti stiklą.

Orkaitės durelių išėmimas

1. Atidarykite priekines dureles (1).
2. Atlenkite spaustukus, esančius prie dešinės ir kairės priekinių durelių pusės vyrių korpusų (2), paspausdami juos žemyn, kaip parodyta paveikslėlyje.



- 1 Priekinės durelės
- 2 Vyris
- 3 Orkaitė



3. Pusiau praverkite priekines dureles.
4. Nuimkite priekines dureles, traukdami jas aukštyn, kad jos atsikabintų nuo dešiniojo ir kairiojo vyrių.



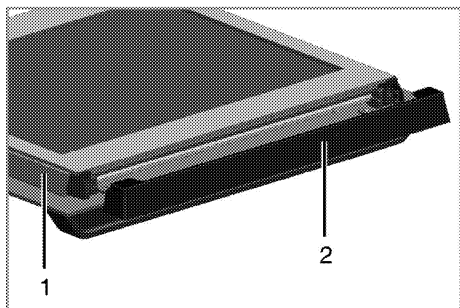
Norint vėl sumontuoti dureles, nuėmimo proceso metu atliktus žingsnius reikia atlikti atvirkščia tvarka. Vėl įstatę dureles, nepamirškite užspausti prie vyrių korpusų esančių spaustukų.

Durelių vidinės stiklo plokštės išėmimas

(Ši funkcija yra pasirinktinė. Jūsų gaminyje jos gali nebūti.)

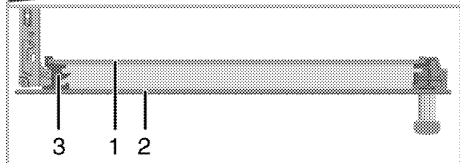
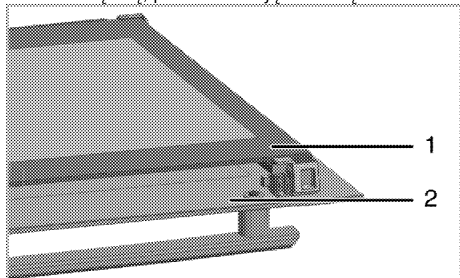
Vidinę orkaitės durelių stiklo plokštę galima išimti ir išvalyti.

Atidarykite orkaitės dureles.



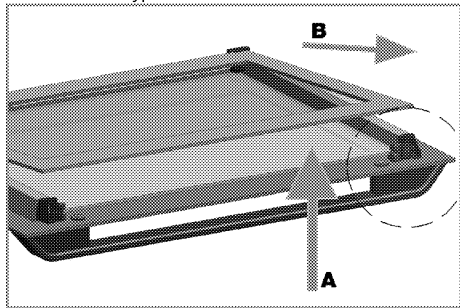
- 1 Rėmas
- 2 Plastmasinė dalis

Nuimkite plastmasinę, priekinių durelių viruje sumontuotą dalį, patraukdami ją link savęs.



- 1 Vidinė stiklo plokštė
- 2 Iorinė stiklo plokštė
- 3 Plastikinė stiklo plokštės anga, apatinė

Truputį kilstelėkite toliausią vidinę stiklo plokštę (1) **A** kryptimi kaip parodyta paveikslėlyje ir ištraukite ją, traukdami **B** kryptimi.



Įdedant vidinę stiklo plokštę (1), ios plokštės spausdinta pusė turi būti nukreipta vidaus link.

Svarbu, kad vidinės stiklo plokštės apatinis kampas būtų įtaisytas apatinėje plastikinėje angoje.

Spauskite plastikinę dalį rėmo link tol, kol pasigirs spragtelėjimas.

Orkaitės lemputės keitimas



PAVOJUS:

Prieš keisdami orkaitės lemputę, įsitikinkite, kad prietaisas yra išjungtas iš elektros tinklo ir atvėšęs, kad išvengtumėte galimo elektros smūgio.

Karšti paviršiai gali nudeginti!



Orkaitės lemputė - tai speciali, 300 °C karščiui atspari elektros lemputė; išsamiau žr.

Techniniai duomenys, puslapis 12. Orkaitės lempučių galima nusipirkti iš įgaliotojo techninio aptarnavimo centro atstovų.



Lemputės padėtis gali skirtis nuo pavaizduotosios paveikslėlyje.



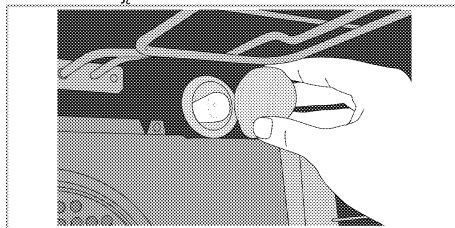
Šiame prietaise naudojama lempa netinkama kambarių apšvietimui. Ši lempa skirta naudotojui padėti geriau matyti maistą.



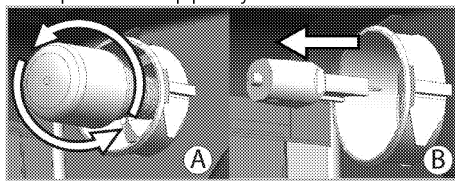
Šiame prietaise naudojamos lempos turi atlaikyti ekstremalias sąlygas, pavyzdžiui, didesnę nei 50 °C temperatūrą.

Jeigu orkaitėje sumontuota apvali lemputė:

1. Ištraukite gaminio kištuką iš elektros tinklo.
2. Pasukite stiklinį gaubtelį prieš laikrodžio rodyklę ir nuimkite jį.



3. Jei orkaitėje įrengta (A) tipo lemputė (žr. iliustraciją), ją išsukite ir pakeiskite kaip parodyta. Jei orkaitėje įrengta (B) tipo lemputė, ją ištraukite ir pakeiskite kaip parodyta.



4. Uždėkite stiklinį gaubtelį.

8 Trikčių nustatymas

Naudojama orkaitė išleidžia garus.

- Tai normalu, nes viryklei veikiant pasišalina garai. >>> *Tai nėra gedimas.*

Kaisdamos ir vėsdamos metalinės prietaiso dalys skleidžia garsus.

- Kai metalinės dalys kaista, jos gali plėstis ir kelti triukšmą. >>> *Tai nėra gedimas.*

Prietaisas neveikia.

- Perdegė arba suveikė elektros tinklo saugiklis. >>> *Patikrinkite saugiklius saugiklių dėžėje. Jeigu reikia, pakeiskite arba atitaisykite juos.*
- Gaminio laido kištukas neįkištas į (žemintą) lizdą. >>> *Patikrinkite kištumo įjungimą.*

Neveikia orkaitės apšvietimas.

- Perdegė orkaitės lemputė. >>> *Pakeiskite orkaitės lemputę.*
- Nutrūko elektros tiekimas. >>> *Patikrinkite, ar nenutrūko elektros tiekimas. Patikrinkite saugiklius saugiklių dėžėje. Jeigu reikia, pakeiskite arba vėl įjunkite saugiklius.*

Orkaitė nešyla.

- Gali būti nenustatyta tam tikra kepimo funkcija ir (arba) temperatūra. >>> *Nustatykite tam tikrą orkaitės kepimo funkciją ir (arba) temperatūrą.*
- Modeliuose su laikmačiu nenustatytas laikmatis. >>> *Nustatykite laiką.* (Prietaisuose su mikrobangų krosnele laikmačio valdikliais valdoma tik mikrobangų krosnelė.)
- Nutrūko elektros tiekimas. >>> *Patikrinkite, ar nenutrūko elektros tiekimas. Patikrinkite saugiklius saugiklių dėžėje. Jeigu reikia, pakeiskite arba vėl įjunkite saugiklius.*

Nėra kibirkštis.

- Nutrūko elektros tiekimas. >>> *Patikrinkite saugiklius saugiklių dėžėje.*
- Nustatytas laikas. >>> *Laiko nustatymas*

Netiekiamos dujos.

- Užsukta pagrindinė dujų sklendė. >>> *Atsukite dujų sklendę.*
- Sulenktas dujų vamzdelis. >>> *Tinkamai įrenkite dujų vamzdelį.*

Degikliai dega netolygiai arba visai nedega.

- Degikliai yra purvini. >>> *Nuvalykite sudedamąsias degiklio dalis.*
- Degikliai šlapi. >>> *Nusausinkite sudedamąsias degiklio dalis.*
- Netinkamai uždėta degiklio galvutė. >>> *tinkamai uždėkite degiklio galvutę.*
- Užsukta dujų sklendė. >>> *Atsukite dujų sklendę.*
- Ištuštėjo dujų balionas (naudojant suskystintąsias dujas). >>> *Pakeiskite dujų balioną.*

(Modeliuose su laikmačiu) žybcioja laikrodžio ekranas arba dega laikrodžio simbolis.

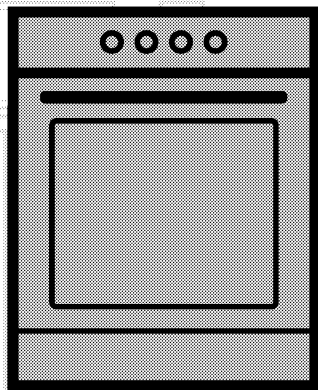
- Prieš tai buvo nutrūkęs elektros tiekimas. >>> *Nustatykite laiką / išjunkite ir vėl įjunkite gaminį.*



Jeigu atlikus visus šiame skyriuje aprašytus nurodymus trikties atitaisyti nepavyksta, kreipkitės į įgaliotojo techninio aptarnavimo centro atstovą. Niekada nebandykite patys taisyti sugedusio gaminio.

Krāsns

Lietotāja rokasgrāmata



LV

beko

Lūdzu, vispirms izlasiet šo lietošanas rokasgrāmatu!

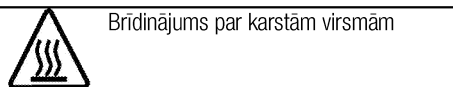
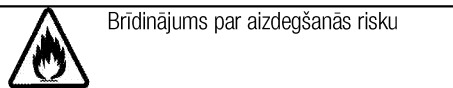
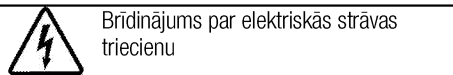
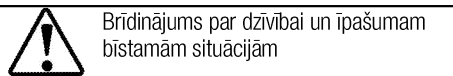
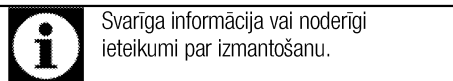
Cienījamais pircēj!

Paldies, ka izvēlējāties Beko produktu. Mēs ceram, ka šī iekārta, kas izgatavota ar augstu kvalitāti un modernu tehnoloģiju, jums nodrošinās vislabākos rezultātus. Tādēļ lūdzam pirms šīs iekārtas izmantošanas rūpīgi izlasīt visu lietošanas rokasgrāmatu un citus pievienotos dokumentus saglabāt tos atsaucēi arī nākotnē. Ja atdosiet šo iekārtu kādam citam, pievienojiet tai arī šo lietošanas rokasgrāmatu. Ņemiet vērā visus šajā lietošanas rokasgrāmata dotos brīdinājumus un norādījumus.

Atcerieties, ka šī lietošanas rokasgrāmata var attiekties arī uz vairākiem citiem modeļiem. Šajā rokasgrāmatā būs norādītas atšķirības starp modeļiem.

Simbolu paskaidrojums

Šajā lietošanas rokasgrāmatā ir izmantoti tālāk norādītie simboli.



Arçelik A.Ş.
Karaağaç caddesi No:2-6
34445 Sütlüce/Istanbul/TURKEY
Made in TURKEY

1 Svarīgi norādījumi un brīdinājumi par drošību un vides aizsardzību 4

Vispārējā drošība	4
Drošība gāzes izmantošanas laikā	4
Elektriskā drošība	6
Produkta drošība	7
Paredzētā lietošana	9
Bērnu drošība	9
Atbrīvošanās no vecās iekārtas	10
Atbrīvošanās no iepakojuma materiāla	10

2 Vispārīgā informācija 11

Pārskats	11
Iepakojuma saturs	12
Tehniskā specifikācija	13
Inžektora tabula	13

3 Uzstādīšana 14

Pirms uzstādīšanas	14
Uzstādīšana un pievienošana	15
Gāzes konversija	18
Atbrīvošanās no vecās iekārtas	19

4 Sagatavošana 20

Padomi par elektroenerģijas taupīšanu	20
Sākotnējā izmantošana	20
Iekārtas pirmā tīrīšanas reize	20
Sākotnējā sakarsēšana	20

5 Plīts virsmas izmantošana 21

Vispārīga informācija par ēdiena gatavošanu	21
Plīts virsmu izmantošana	21

6 Krāsns izmantošana 23

Vispārīga informācija par cepšanu, apcepšanu un grilēšanu	23
Elektriskās krāsns izmantošana	23
Darba režīmi	24
Cepeškrāsns izmantošana	25
Ēdiena gatavošanas laika tabula	25
Grila izmantošana	26
Ēdiena grilēšanas laika tabula	26

7 Apkope un tīrīšana 27

Vispārīga informācija	27
Plīts virsmas tīrīšana	27
Vadības paneļa tīrīšana	27
Krāsns tīrīšana	27
Krāsns durvju izņemšana	28
Iekšējo stikla durvju izņemšana	28
Krāsns lampas nomaiņšana	29

8 Traucējummeklēšana 30

1 Svarīgi norādījumi un brīdinājumi par drošību un vides aizsardzību

Šajā sadaļā ir drošības noteikumi, kas palīdzēs izvairīties no traumas vai īpašuma bojājuma riska. Šo noteikumu neievērošana atcelts jebkuru garantiju.

Vispārējā drošība

- Šo iekārtu var izmantot bērni vecumā no 8 gadiem un personas ar mazākām fiziskajām, garīgajām un uztveres spējām vai bez pieredzes un zināšanām, ja vien šīs personas netiek uzraudzītas vai nav saņēmušas norādījumus par iekārtas drošu izmantošanu un sapratušas saistītos riskus. Bērni nedrīkst spēlēties ar šo iekārtu. Tīrīšanu un apkopi nedrīkst veikt bērni, kuri netiek uzraudzīti.
- Ierīci nedrīkst izmantot personas (tai skaitā bērni) ar kustību traucējumiem, invaliditāti vai garīgās veselības traucējumiem, vai bez specifiskām zināšanām un pieredzes, izņemot gadījumus, kad šīs personas tiek uzraudzītas vai ir saņēmušas atbilstošu instruktažu. Nodrošīniet, lai bērni nespēlējas ar šo iekārtu.
- Ja iekārta tiek nodota citai personai personīgai lietošanai vai kā lietota prece, ir jānodod arī

lietotāja rokasgrāmata, iekārtas uzlīmes un citi saistītie dokumenti un daļas.

- Nekādā gadījumā nelieciet mašīnu uz tepiķa. Tas var aizkavēt gaisa plūsmu zem iekārtas un izraisīt elektrisko daļu pārkaršanu. Tas izraisīs iekārtas darbības traucējumus.
- Uzstādīšanu un remontu vienmēr jāveic pilnvarotam pakalpojuma sniedzējam. Ražotājs neuzņemsies atbildību par bojājumiem, kas radušies nepilnvarotu personu veiktu darbību rezultātā, un tas var atcelt iekārtas garantiju. Pirms uzstādīšanas uzmanīgi izlasiet instrukcijas.
- Neizmantojiet iekārtu, ja tā ir bojāta vai ja redzams kāds bojājums.
- Pēc katras izmantošanas reizes pārbaudiet, vai iekārtas funkciju pārslēgi ir novietoti izslēgtā pozīcijā.

Drošība gāzes izmantošanas laikā

- Jebkurus darbus, kas saistīti ar gāzes aprīkojumu un sistēmām, drīkst veikt tikai pilnvaroti speciālisti.
- Pirms uzstādīšanas pārļiecinieties, ka vietējie piegādes nosacījumi

(gāzes tips un gāzes spiediens) un iekārtas noregulētie parametri ir savietojami.

- Šī iekārta nav pievienota sadegšanas produktu nosūkņēšanas ierīcei. Tā var tikt uzstādīta un pievienota atbilstoši spēkā esošajiem uzstādīšanas noteikumiem. Īpaša uzmanība jāpievērš attiecīgajām prasībām par ventilāciju; skatiet *Pirms uzstādīšanas, Lappuse 14*
- Gāzes iekārtas izmantošana rada karstumu, mitrumu un sadegšanas produktus telpā, kurā tā ir novietota. Nodrošīniet virtuvē labu ventilāciju, it īpaši iekārtas izmantošanas laikā: turiet atvērtus dabiskos ventilācijas avotus vai uzstādiet mehānisku ventilācijas iekārtu (mehānisko nosūcēju). Ilgstoša, intensīva iekārtas izmantošana var radīt nepieciešamību pēc papildu ventilācijas, piemēram, mehāniskās ventilācijas – ja tāda tiek izmantota – jaudas palielināšanas.
- Regulāri jāpārbauda, vai gāzes iekārtas un sistēmas pareizi darbojas. Regulatoru, šļūteni un tās apskavu ir regulāri jāpārbauda un jānomaina pēc ražotāja ieteiktā laika paiešanas vai nepieciešamības gadījumā.

- Regulāri tīriet gāzes degļus. Liesmām jābūt zilā krāsā un vienmērīgām.
- Šo izstrādājumu jālieto telpā, kurā darbojas pareizi uzstādīts un noregulēts oglekļa monoksīda jeb tvana gāzes sensors. Nodrošīniet, lai oglekļa monoksīda sensors darbotos pareizi un tiktu bieži apkopts. Oglekļa monoksīda sensors jāuzstāda ne vairāk kā 2 metru attālumā no izstrādājuma.
- Gāzes iekārtām nepieciešama laba sadegšana. Ja sadegšana ir nepilnīga, var rasties tvana gāze (CO). Tvana gāze ir bezkrāsaina un ļoti indīga gāze bez jebkādas smaržas, kas ir letāla pat ļoti nelielās devās.
- Pieprasiet gāzes ārkārtas izsaukuma dienesta tālruna numuru un informāciju par drošības pasākumiem gadījumā, ja jūtama gāzes smaka.

Ko darīt, ja jūtama gāzes smaka

- Neizmantojiet atklātu liesmu un nesmēķējiet! Neizmantojiet elektrības ieslēgšanas/izslēgšanas pogas (piem., lampas pogu, durvju zvanu utt.). Neizmantojiet fiksēto vai mobilo tālruni. Sprādziena un intoksikācijas risks!
- Atveriet durvis un logus.
- Aizveriet visus gāzes iekārtu un gāzes skaitītāju ventiļus.

- Pārbaudiet, vai visas caurules un savienojumi ir cieši savienoti. Ja vēl arvien jūtama gāzes smaka, atstājiet dzīvokli.
- Brīdiniet kaimiņus.
- Izsauciet ugunsdzēsējus. Izmantojiet tālruni ārpus mājas.
- Neejiet iekšā ēkā, ja vien nav paziņots, ka tas ir droši.

Elektriskā drošība

- Ja iekārta ir bojāta, to nevajadzētu izmantot, kamēr iekārtu nav salabojis pilnvarots pakalpojuma sniedzējs. Pastāv elektriskās strāvas trieciena risks.
- Pievienojiet iekārtu tikai pie iezemētas kontaktligzdas/elektrolīnijas ar tabulā "Tehniskās specifikācijas" norādītajām vērtībām atbilstošu spriegumu un aizsardzību. Neatkarīgi no tā, vai iekārtai ir vai nav transformators, lieciet iekārtu iezemēt kvalificētam elektriķim. Mūsu uzņēmums nebūs atbildīgs par problēmām, kas radīsies iekārtu izmantojot bez iezemējuma atbilstoši vietējiem noteikumiem.
- Nekādā gadījumā nemazgājiet iekārtu, uz tās uzlejot vai uzšļakstot ūdeni! Pastāv elektriskās strāvas trieciena risks.
- Nekādā gadījumā neaiztieciet kontaktspraudni ar mitrām rokām. Nekādā gadījumā neatvienojiet

iekārtu no kontaktligzdas, to velkot aiz kabeļa. Vienmēr velciet aiz kontaktspraudņa.

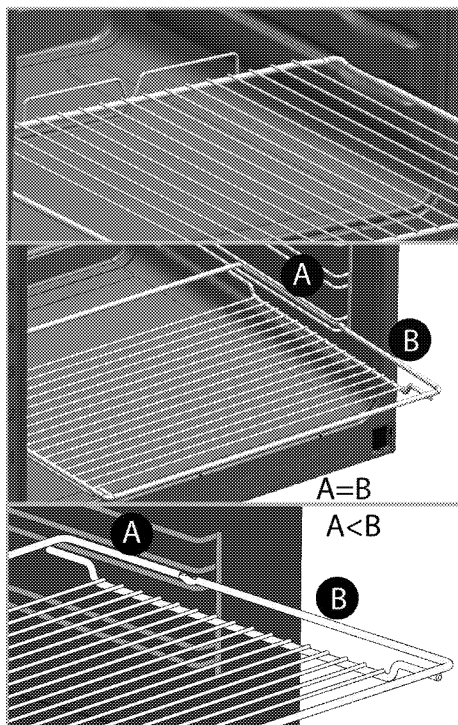
- Iekārtas uzstādīšanas, apkopes, tīrīšanas un remonta laikā to jāatvieno no barošanas avota.
- Ja iekārtas barošanas savienojuma kabelis ir bojāts, lai izvairītos no riska tā nomaīņa jāuztic ražotājam, ražotāja pakalpojumu sniedzējam vai līdzīgi kvalificētām personām.
- Iekārta jāuzstāda tā, lai to varētu pilnīgi atvienot no tīkla. Atbilstoši konstrukcijas prasībām, jābūt iespējamai atvienošanai vai nu ar barošanas vada kontaktspraudni, vai ar fiksētā elektroinstalācijā iebūvētu slēdzi.
- Krāsns izmantošanas laikā tās aizmugurējā virsma sakarst. Pārliecinieties, ka gāzes/elektriskais savienojums nepieskaras aizmugurējai virsmai, jo tas var sabojāt savienojumus.
- Neiespiediet strāvas vadu starp krāsns durvīm un rāmi, un nenovietojiet to virs karstām virsmām. Pretējā gadījumā kabeļu izolācija var izkust, radīt īssavienojumu un aizdegties.
- Jebkurus darbus, kas saistīti ar elektroaprīkojumu un sistēmām, vajadzētu veikt tikai pilnvarotiem un kvalificētiem speciālistiem.

- Bojājuma gadījumā izslēdziet iekārtu un atvienojiet no strāvas avota. Lai to izdarītu, atvienojiet atbilstošo mājas drošinātāju.
- Pārlicinieties, vai drošinātāja pretestība atbilst produkta specifikācijai.

Produkta drošība

- **BRĪDINĀJUMS:** Šī iekārta un tās ārējās daļas lietošanas laikā sakarst. Rīkojieties uzmanīgi un nepieskarieties sildelementiem. Par 8 gadiem jaunāki bērni nedrīkst atrasties iekārtas tuvumā, ja vien viņi netiek pastāvīgi uzraudzīti.
- Nekādā gadījumā neielietojiet iekārtu tad, kad jūsu spriešanas spējas vai koordinācija ir pasliktinājusies alkohola un/vai medikamentu lietošanas rezultātā.
- Uzmanieties, ja traukos atrodas alkoholiskie dzērieni. Alkohols augstā temperatūrā izgaro un var izraisīt ugunsgrēku, jo nonākot saskarē ar karstām virsmām var aizdegties.
- Nenovietojiet blakus iekārtai viegli uzliesmojošus materiālus, jo izmantošanas laikā iekārtas sāni var sakarst.
- Šī iekārta izmantošanas laikā sakarst. Rīkojieties uzmanīgi un nepieskarieties sildelementiem krāsns iekšpusē.

- Neaizsprostojiet ventilācijas atveres.
- Nekarsējiet cepeškrāsnī aizvērtas skārdenes un stikla burkas. Burkā var sakrāties spiediens un burka var uzsprāgt.
- Nelieciet cepešpannas, traukus vai alumīnija foliju tieši uz cepeškrāsns pamatnes. Siltuma uzkrāšanās var sabojāt cepeškrāsns pamatni.
- Neizmantojiet asus tīrīšanas līdzekļus vai asus metāla skrāpjus cepeškrāsns durvju stikla tīrīšanai, jo tie var saskrāpēt virsmu un rezultātā stikls var ieplaisāt.
- Ierīces tīrīšanai neizmantojiet tvaika tīrītājus, jo tas var izraisīt elektriskās strāvas triecienu.
- (Atšķiras atkarībā no iekārtas modeļa.)
Pareiza stieplu plaukta un paplātes novietošana uz stieplu režģiem
Stieplu plaukta un/vai paplātes pareiza novietošana uz plaukta ir ļoti svarīga. Iebīdiet stieplu plauktu vai paplāti starp 2 sliedēm. Pirms pārtikas novietošanas uz grila vai paplātes pārlicinieties, vai tie ir stabili ievietoti. (Lūdzu, skatiet attēlu tālāk.)



- Neizmantojiet iekārtu, ja priekšējo durvju stikls ir izņemts vai iekšējais.
- Krāns rokturis nav divieļu žāvētājs. Kamēr ieslēgta grila funkcija, nekariniet uz atvērtām durvīm dvieļi, cimtus vai līdzīgus tekstilizstrādājumus.
- Karstā cepeškrāsnī ievietojot ēdienus un tos izņemot no cepeškrāsns, vienmēr izmantojiet siltumizturīgus virtuves cimtus.
- Iekļādiet cepamo papīru ēdiena gatavošanas katlā vai cepeškrāsns piederumā (paplātē, grila režģī utt.) kopā ar ēdienu un ievietojiet visu iepriekš sasildītā krāsnī. Noņemiet cepamā papīra

liekās daļas, kas atrodas ārpus piederuma vai katla malām, lai novērstu cepamā papīra saskaršanos ar cepeškrāsns sildelementu. Nekad nelietojiet cepamo papīru temperatūrā, kas pārsniedz norādīto cepamā papīra lietošanas temperatūru. Neekļādiet cepamo papīru tieši uz cepeškrāsns pamatnes.

- **BRĪDINĀJUMS:** Lai izvairītos no iespējamā elektriskās strāvas trieciena, pirms lampas nomaiņas pārliecinieties, ka iekārta ir izslēgta.
- Neaizveriet augšējo vāku pirms sildriņķu vai degļu atdzišanas. Pirms atvēršanas augšējo vāku noslaukiet, lai izvairītos no ūdens izlīšanas cepeškrāns aizmugurē un iekšpusē.
- Iekārtu nedrīkst uzstādīt aiz dekoratīvajām durvīm, pretējā gadījumā tā var pārkarst.
- Iekārta ir jānovieto tieši uz grīdas. To nedrīkst novietot uz pamatnes vai paaugstinājuma.
- **BRĪDINĀJUMS:** Ar tautiem un eļļu gatavota ēdiena atstāšana uz ieslēgtas plīts bez uzraudzības var izraisīt ugunsgrēku. **NEKAD** nemēģiniet nodzēst uguni ar ūdeni, bet izslēdziet iekārtu un nosedziet liesmu, piemēram, ar vāku vai ugunsdzēsamo segu.

- UZMANĪBU! Ēdiena gatavošanas process ir jāuzrauga. Ātras ēdiena gatavošanas process ir jāuzrauga nepārtraukti.
- BRĪDINĀJUMS: Aizdeģšanās risks! Neglabājiet lietas uz ēdiena gatavošanas virsmām.

Lai nodrošinātu iekārtas ugunsdrošību, rīkojieties šādi.

- Pārliedzieties, ka spraudkontakts labi atbilst kontaktligzdai, kā arī nedzirksteļo.
- Neizmantojiet bojātu vai iepīsušu vadu vai pagarinātāju, atskaitot oriģinālo vadu.
- Nodrošiniet, lai uz iekārtas ligzdas nenokļūst šķidrums vai mitrums.
- Pārliedzieties, vai ierīce pievienota gāzes avotam un nenotiek gāzes noplūde.

Paredzētā lietošana

- Šī iekārta ir paredzēta izmantošanai mājāsaimniecībā. Tās lietošana komerciālām vajadzībām nav pieļaujama.
- Šī iekārta ir paredzēta tikai ēdiena gatavošanai. To nevajadzētu izmantot nekādiem citiem mērķiem, piemēram, telpas apsildīšanai.
- Šo iekārtu nevajadzētu lietot šķīvju sasildīšanai zem grila, dvieļu un trauku lupatu žāvēšanai, tās pakarinot uz rokturiem, kā arī sakarsēšanai.

- Ražotājs neuzņemsies atbildību par bojājumiem, kas radušies nepareizas izmantošanas vai apiešanās rezultātā.
- Krāsns var tikt izmantota ēdiena atļaidināšanai, cepšanai, apcepšanai un grilēšanai.

Bērnu drošība

- BRĪDINĀJUMS: Ārējās daļas lietošanas laikā var sakarst. Neļaujiet tuvumā atrasties maziem bērniem.
- Iepakojuma materiāli var būt bīstami bērniem. Neļaujiet bērniem spēlēties ar iepakojuma materiāliem. Lūdzu, atbrīvojieties no visām iepakojuma daļām atbilstoši vides standartiem.
- Elektriskās un/vai gāzes iekārtas ir bīstamas bērniem. Iekārtas darbības laikā neļaujiet bērniem atrasties tās tuvumā, un neļaujiet bērniem spēlēties ar iekārtu.
- Nenovietojiet virs iekārtas nekādus priekšmetus, pēc kuriem bērni varētu sniegties.
- Kad krāsns durvis ir atvērtas, nelieciet uz tām smagus priekšmetus un neļaujiet bērniem uz tām sēdēt. Tas var izraisīt krāsns apgāšanos vai sabojāt durvju eņģes.

Atbrīvošanās no vecās iekārtas

Atbilstība EEIA direktīvai un atkritumu pārstrāde:



Šī iekārta atbilst ES EEIA direktīvas (2012/19/ES) prasībām. Šis izstrādājums ir marķēts ar elektrisko un elektronisko iekārtu atkritumu (EEA) klasifikācijas simbolu.

Šī iekārta ir izgatavota no augstas kvalitātes detaļām un materiāliem, kas ir atkārtoti izmantojami un piemēroti otreizējai pārstrādei. Pēc iekārtas kalpošanas laika beigām neizmetiet to kopā ar parastajiem majsaimniecības un citiem atkritumiem. Nogādājiet to elektrisko un elektronisko iekārtu savākšanas centrā, lai varētu veikt otreizējo pārstrādi. Plašāku informāciju par savākšanas centriem varat uzzināt vietējā pašvaldībā.

Atbilstība direktīvai par bīstamo vielu ierobežošanu elektroniskajā un elektriskajā aprīkojumā:

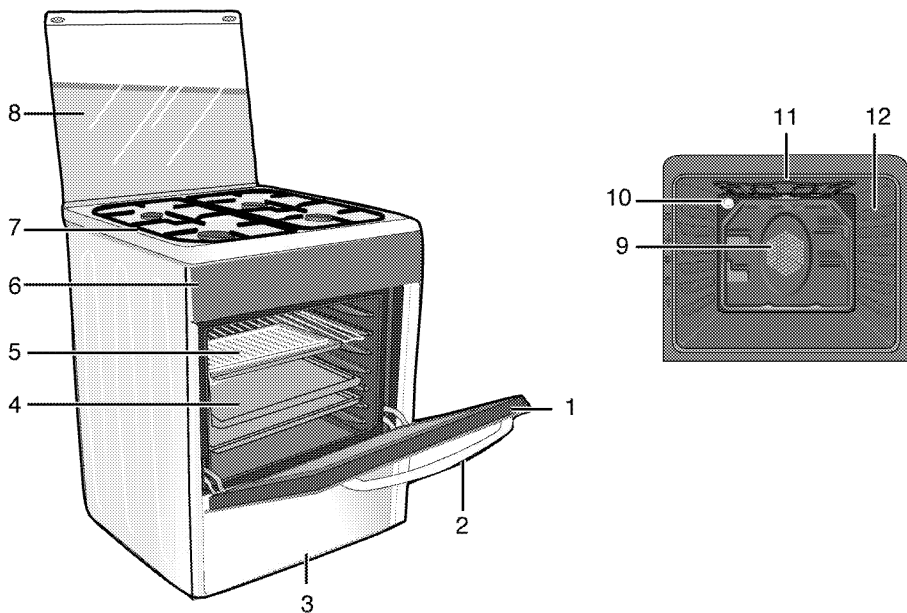
Jūsu nopirktā iekārta atbilst ES direktīvas par bīstamo vielu ierobežošanu elektroniskajā un elektriskajā aprīkojumā (2011/65/ES) prasībām. Tās sastāvā nav šajā direktīvā norādīto kaitīgo un aizliegto materiālu.

Atbrīvošanās no iepakojuma materiāla

- Iepakojuma materiāli ir bīstami bērniem. Turiet iepakojuma materiālus drošā vietā, kurā tiem nevar piekļūt bērni. Iekārtas iepakojuma materiāli ir izgatavoti no otreizēji pārstrādājamiem materiāliem. Atbrīvojieties no tiem pareizi un sašķīrojiet atbilstoši noteikumiem par atkritumu pārstrādi. Neatbrīvojieties no tiem kopā ar parastajiem majsaimniecības atkritumiem.

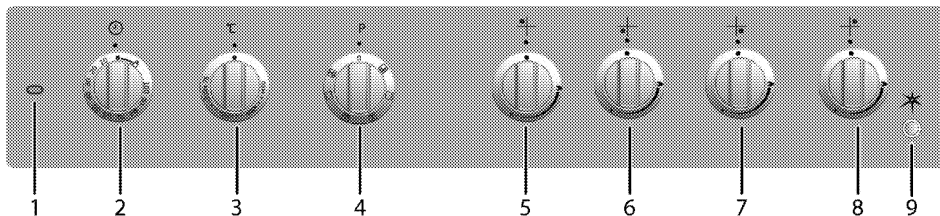
2 Vispārīgā informācija

Pārskats



- 1 Priekšējās durvis
- 2 Rokturis
- 3 Apakšējā daļa
- 4 Panna
- 5 Stieplu plaukts
- 6 Vadības panelis

- 7 Degļa plāksne
- 8 Augšējais vāks
- 9 Ventilatora motors (aiz tērauda plāksnes)
- 10 Lampa
- 11 Grila sildelements
- 12 Plaukta stāvokļi



- 1 Termostata lampa
- 2 Mehāniskais taimeris
- 3 Termostata pārslēgs
- 4 Funkciju pārslēgs
- 5 Parasts deglis Aizmuģures kreisā puse
- 6 Ātri izmantojams deglis Priekšpuses kreisā puse
- 7 Papildu deglis Priekšpuses labā puse
- 8 Parasts deglis Aizmuģures labā puse
- 9 Aizdedzes poga

Iepakojuma saturs

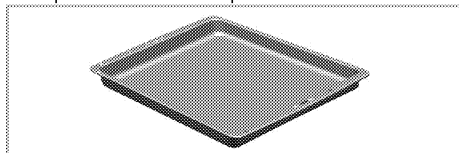


Komplektācijā ietilpstošie piederumi atšķiras atkarībā no iekārtas modeļa. Jūsu iekārtai var nebūt paredzēti visi lietotāja rokasgrāmatā aprakstītie piederumi.

1. Lietotāja rokasgrāmata

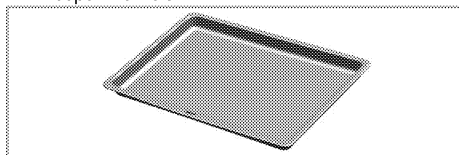
2. Cepeškrāns paplāte

Lietojama konditorijas izstrādājumiem, saldētai pārtikai un lieliem cepešiem.



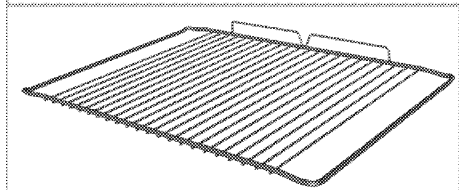
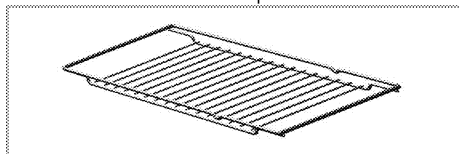
3. Kūku paplāte

Lietojama tādiem konditorijas izstrādājumiem kā cepumi un biskvīti.



4. Stieplu plaukts

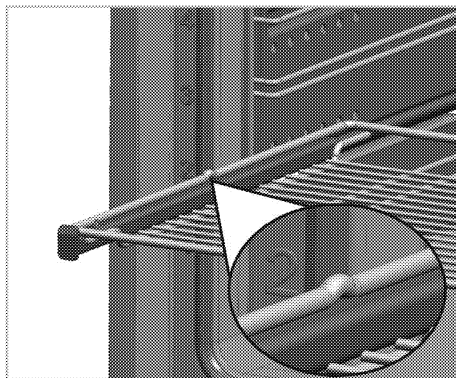
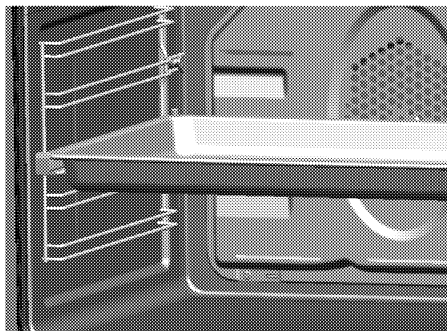
Lietojams apcepšanai un sautējuma traukos cepamās, apcepamās vai gatavojamās pārtikas novietošanai uz vēlāmā plaukta.



5. Pareiza stieplu plaukta un paplātes novietošana uz teleskopiskajiem plauktiem (Šī funkcija ir izvēles iespēja. Jūsu ierīcē tā var nebūt pieejama.)

Teleskopiskie plaukti ļauj daudz vieglāk ielikt un izņemt paplātes un stieplu plauktu.

Izmantojot paplāti un stieplu plauktu kopā ar teleskopiskajiem plauktiem, pārliecinieties, ka teleskopiskā plaukta aizmugurē esošās tapas atrodas iepretim stieplu plaukta un paplātes malām.



Tehniskā specifikācija

VISPĀRĒJĀ INFORMĀCIJA	
Ārējie izmēri (augstums/platums/dziļums)	850 mm/600 mm/600 mm
Spriegums/frekvence	220-240 V ~ 50 Hz
Kopējais jaudas patēriņš	2.4 kW
Drošinātājs	16 A
Kabeļa tips/šķērsgriezums	min.H05W-FG 3 x 1,5 mm ²
Gāzes iekārtas kategorija	II 2H3B/P / II 2H3+ / I 2H
Gāzes tips/spiediens	NG G 20/20 mbar
Kopējais gāzes patēriņš	7.9 kW
Gāzes tipa/spiediena konvertēšana ^S	LPG G 30/28-30 mbar
– izvēles iespēja	Propāns 31/37 mbar
PLĪTS VIRSMA	
Degļi	
Aizmugures kreisā puse	Parasts deglis
Jauda	2 kW
Priekšpuses kreisā puse	Ātri izmantojams deglis
Jauda	2.9kW
Priekšpuses labā puse	Papildu deglis
Jauda	1kW
Aizmugures labā puse	Parasts deglis
Jauda	2 kW
CEPEŠKRĀSNS/GRILS	
Galvenā krāsns	Ar ventilatoru
Iekšējā lampa	15–25 W
Grīla jaudas patēriņš	2.2 kW

Pamatinformācija. Elektriskajām krāsnīm uz enerģijas marķējuma norādītie dati atbilst EN 60350-1 / IEC 60350-1 standartam. Šīs vērtības noteiktas standarta noslodzes apstākļos ar ieslēgtu apakšējo un augšējo sildelementu vai karsēšanas laikā izmantojot ventilatoru (ja piemērojams). Elektroenerģijas efektivitātes klase ir noteikta atbilstoši šādai prioritizācijas sistēmai atkarībā no produkta attiecīgo funkciju pieejamības. 1 - Ēdiena gatavošana ar Eco ventilatoru, 2 - Turbo lēnā gatavošana, 3 - Turbo gatavošana, 4 - Augšējā un apakšējā sildelementa un ventilatora izmantošana, 5 - Augšējā un apakšējā sildelementa izmantošana.



Tehniskā specifikācija var mainīties bez iepriekšēja brīdinājuma, lai uzlabotu iekārtas kvalitāti.



Attēli šajā rokasgrāmatā ir shematiski un, iespējams, precīzi neatbilst jūsu produktam.



Uz iekārtas uzlīmēm vai dokumentācijā norādītās vērtības ir iegūtas laboratorijas apstākļos, atbilstoši attiecīgajiem standartiem. Atkarībā no iekārtas lietošanas un vides apstākļiem, šīs vērtības var atšķirties.

Inžektora tabula

Plīts virsmas zona	2 kW Aizmugures kreisā puse	2.9kW Priekšpuses kreisā puse	1kW Priekšpuses labā puse	2 kW Aizmugures labā puse
G 20/20 mbar	103	115	72	103
G 30/28-30 mbar	72	87	50	72
G 31/ 37 mbar	72	87	50	72

3 Uzstādīšana

Iekārtu jāuzstāda kvalificētam speciālistam atbilstoši spēkā esošajiem noteikumiem. Pretējā gadījumā garantija tiks atcelta. Ražotājs neuzņemsies atbildību par bojājumiem, kas radušies nepilnvarotu personu veiktu darbību rezultātā, un tas var atcelt iekārtas garantiju.



Par iekārtas novietošanas vietas sagatavošanu un pievienošanu elektroīklam un gāzesvadam ir atbildīgs pats klients.



BĪSTAMI:

Šī iekārta jāuzstāda atbilstoši visiem vietējiem gāzes un/vai elektrības noteikumiem.

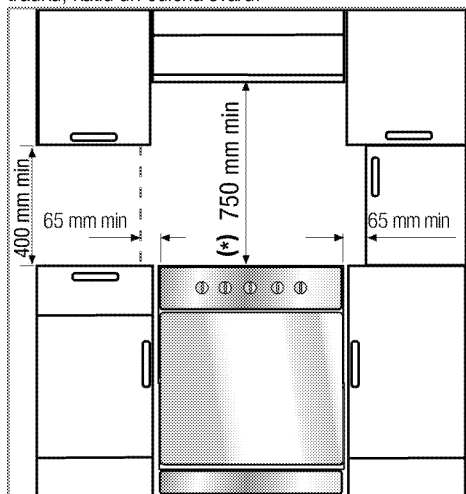


BĪSTAMI:

Pirms uzstādīšanas vizuāli pārbaudiet, vai nav redzami iekārtas bojājumi. Ja redzami bojājumi, tad neuzstādiet iekārtu. Bojātas iekārtas var radīt risku jūsu drošībai.

Pirms uzstādīšanas

Lai nodrošinātu to, ka zem iekārtas nepaliek nozīmīga gaisa sprauga, ieteicams šo iekārtu uzstādīt uz izturīgas pamatnes un nodrošināt, lai tās kāja neiegrimst paklājā vai mīkstā grīdas segumā. Virtuves grīdai jāspēj izturēt iekārtas svaru, kā arī trauku, katlu un ēdiena svaru.



- To var izmantot arī pa vidu starp mēbelēm, tomēr jāatstāj minimālais 400 mm atstatums virs sildrīnča un 65 mm atstatums sānos starp iekārtu un jebkuru sienu, starpsienu vai bufeti.

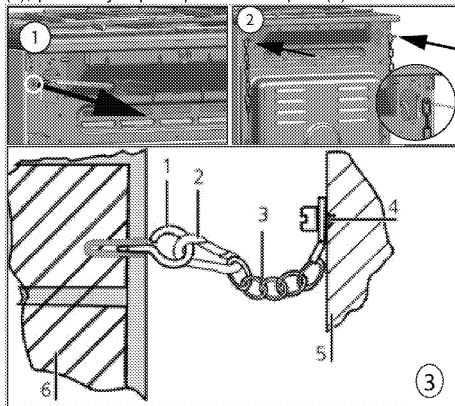
- Tas var tikt izmantots arī atsevišķi novietotām iekārtām. Virs plīts virsmas atstājiet vismaz 750 mm.
- (*) Ja virs plīts ir jāuzstāda nosūcējs, tad uzstādīšanas augstumu skatieties plīts nosūcēja ražotāja norādījumos par uzstādīšanu (min. augstums ir 650 mm).
- Šī ir 1. klases iekārta, tādēļ var tikt novietota ar aizmuguri un **vienu** sānu pie virtuves sienas, virtuves mēbeļem vai jebkura izmēra aprikojuma. Virtuves mēbeles vai aprikojums **otrā** pusē drīkst būt tikai tāda paša vai mazāka izmēra.
- Jebkuram virtuves mēbeļem, kas atrodas līdzās iekārtai, jābūt karstumizturīgām (min. līdz 100 °C).

Drošības ķēde

Ja jūsu izstrādājumam ir divas drošības ķēdes(2).

Lai iekārta nevarētu zaudēt līdzsvaru, tā jānostiprina ar krāsns komplektācijā iekļautajām divām drošības ķēdēm.

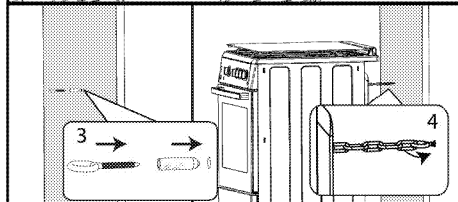
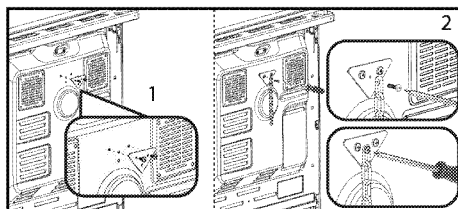
Ar pareiza knaģa palīdzību nostipriniet āķi (1) pie virtuves sienas (6) un, izmantojot fiksācijas mehānismu (2), pievienojiet pie āķa drošības ķēdi (3).



- 1 Āķis stabilitātes nodrošināšanai
- 2 Fiksācijas mehānisms
- 3 Drošības ķēde
- 4 Cieši piestipriniet ķēdi plīts aizmugurē
- 5 Plīts aizmugure
- 6 Virtuves siena

Ja jūsu izstrādājumam ir viena drošības ķēde(1).

Lai ierīce nezaudētu līdzsvaru, tā jānostiprina ar cepeškrāsns komplektācijā iekļauto drošības ķēdi. Izpildiet zemāk norādītās darbības, lai nostiprinātu drošības ķēdi pie izstrādājuma.



i Stabilizējošajai ķēdei ir jābūt tik īsai, cik vien tas ir praktiski iespējams, lai izvairītos no krāsns sašķiešanās uz priekšu, pa diagonāli un sāniski.

Plīts stabilizējošā ķēde ir bez spraugas balsteņa ievietošanai.

Istabas ventilācija

Visās telpās vajadzīgs vismaz viens atverams logs vai durvis, un dažās telpās nepieciešama pastāvīga vēdināšana. Sasildāmais gaiss tiek ņemts no telpas, un izplūdes gāzes nokļūst tieši istabā. Laba istabas ventilācija ir ļoti svarīga drošai iekārtas darbībai.

Istabas ar durvīm un/vai logiem, ko var atvērt tieši uz ārējo vidi

Uz ārējo vidi atveramām durvīm un/vai logiem ir jābūt tādi ventilācijas atverei, kas atbilst zemāk tabulā norādītajiem izmēriem. Tie ir balsīti uz iekārtas kopējo gāzes jaudu (kopējais iekārtas gāzes jaudas patēriņš ir norādīts tehniskās specifikācijas tabulā lietotāja rokasgrāmātā). Ja durvīm un/vai logiem nav pietiekoši lielas ventilācijas atveres, kas atbilst zemāk tabulā norādītajam kopējam iekārtas gāzes patēriņam, tad istabā ir jāierīko papildus ventilācijas atvere, lai nodrošinātu iekārtas gāzes patēriņa minimālas ventilācijas prasības. Ventilācijas atveri var ierīkot, izmantojot dobus kīeļņus ar ventilācijas atvērumiem, tvaika un izplūdes nosūcējus u.c.

Kopējais gāzes patēriņš (kW)	minimāla ventilācijas atvere (cm ²)
0–2	100
2–3	120
3–4	175
4–6	300
6–8	400
8–10	500
10–11,5	600

11,5–13	700
13–15,5	800
15,5–17	900
17–19	1000
19–24	1250

Istabas, kurās nav tieši uz ārējo vidi atveramas durvis un/vai logi

Ja telpā, kurā tiek uzstādīta iekārta, nav tieši uz ārējo vidi atveramas durvis vai loga, tajā noteikti ir jāierīko pastāvīga atvērta un neregulējama ventilācijas atvere, kas atbilst augstāk tabulā norādītajām iekārtas gāzes patēriņa minimālām ventilācijas prasībām. Turklāt jāievēro arī attiecīgie būvniecības noteikumi.

Ja telpā ir vairāk kā viena gāzes iekārta, papildus augstāk tabulā norādītajām prasībām istabā ir jāierīko vēl plašāka ventilācijas zona. Papildus ventilācijas zonas izmēram ir jābūt atbilstošam citu gāzes iekārtu ventilācijas prasībām.

Iekārtas iekšējā atveramo durvju apakšpusē ir jābūt vismaz 10 mm brīvai vietai. Nedrīkst pieļaut, ka pakļājs vai citi grīdas segumi bloķē gaisa piekļuvi šajā spraugā, kad durvis ir aizvērtas.

Plīts var tikt novietota virtuvē, ēdamistabā vai viesistabā, taču to nedrīkst novietot telpā, kurā atrodas vanna vai dušas kabīne. Plīts nedrīkst tikt uzstādīta viesistabā, kas ir mazāka par 20 m³.

Neuzstādiēt šo iekārtu istabā, kas atrodas zem virszemes līmeņa, ja vien vismaz vienā pusē tā nav atvērta uz virszemes līmeni.

Uzstādīšana un pievienošana

Iekārtu var uzstādīt un pievienot tikai atbilstoši valstī pieņemtajiem noteikumiem par uzstādīšanu.

i Neuzstādiēt iekārtu blakus ledusskapjiem vai saldētavām. Iekārtas izstarotais siltsms palielinās dzesēšanas iekārtu enerģijas patēriņu.

- Iekārta ir jānes vismaz divām personām.
- Iekārta ir jānovieto tieši uz grīdas. Tā nedrīkst tikt novietota uz pamatnes vai paaugstinājuma.

i Nenesiet un nepārvietojiet iekārtu, to turot aiz durvīm un/vai roktura. Var tikt bojātas durvis, rokturis vai eņģes.

Pievienošana elektrotīklam

Pievienojiet iekārtu pie iezemētas kontaktligzdas/linijas, kas aizsargāta ar tabulā "Tehniskā specifikācija" norādītajām vērtībām atbilstošu mazgabarīta bloķēšanas sistēmu. Neatkarīgi no tā, vai iekārtai ir vai nav transformators, lieciet iekārtu iezemēt kvalificētam elektriķim. Mūsu uzņēmums nebūs atbildīgs par bojājumiem, kas radīsies iekārtu izmantojot bez iezemējuma atbilstoši vietējiem noteikumiem.

**BĪSTAMI:**

Iekārtu pie barošanas avota drīkst pievienot tikai pilnvarots un kvalificēts speciālists. Iekārtas garantijas periods sākas tikai pēc pareizas uzstādīšanas. Ražotājs neuzņemsies atbildību par bojājumiem, kas radīsies nepilnvarotu personu veiktu darbību rezultātā.

**BĪSTAMI:**

Barošanas kabelis nedrīkst tikt saspiests, salocīts vai iespiests vai saskarēties ar iekārtas karstajām detaļām. Bojāta barošanas kabeļa nomaiņa ir jāveic kvalificētam elektriķim. Pretējā gadījumā pastāv elektriskās strāvas trieciena, īssavienojuma vai aizdegšanās risks!

Strāvas avota datiem jāatbilst datiem, kas norādīti uz iekārtas tipa uzlīmes. Atkarībā no iekārtas tipa, tehnisko pamatdatu plāksnīte ir redzama tad, kad atvērta durvis vai apakšējais vāks, vai arī tā atrodas uz iekārtas aizmugurējās sienas. Iekārtas barošanas kabelim ir jāatbilst vērtībām, kas norādītas tabulā "Tehniskā specifikācija".



Pēc uzstādīšanas barošanas kabeļa spraudnim ir jābūt viegli sasniedzamam (nenovietojiet kabeli virs plīts vismas).



Veicot elektroinstalāciju, jums jāpakļaujas nacionālajiem/vietējiem elektrības noteikumiem un jāizmanto piemērota rozete un kontaktdakša, pieslēdzot plīti. Ja izstrādājuma maksimālā strāva pārsniedz pašreizējās rozetes un kontaktdakšas iespējas, izstrādājums ir jāpieslēdz tiešā veidā caur fiksētu elektroinstalāciju, neizmantojot rozeti un kontaktdakšu.

**BĪSTAMI:**

Pirms jebkura darba, kas saistīts ar elektroinstalāciju, sāksšanas atvienojiet šo iekārtu no strāvas avota. Pastāv elektriskās strāvas trieciena risks.

Iespraudiet barošanas kabeli kontaktligzdā.

Gāzes savienojums**BĪSTAMI:**

Iekārtu pie gāzes tīkla drīkst pievienot tikai pilnvarots un kvalificēts speciālists. Sprādziena vai intoksikācijas risks neprofesionāla remonta rezultātā. Ražotājs neuzņemsies atbildību par bojājumiem, kas radīsies nepilnvarotu personu veiktu darbību rezultātā.

**BĪSTAMI:**

Pirms jebkura darba, kas saistīts ar gāzes instalāciju, atslēdziet gāzes padevi. Pastāv sprādziena risks!

- Gāzes regulēšanas nosacījumi un vērtības ir norādīti uz uzlīmēm (vai jona tipa uzlīmes).

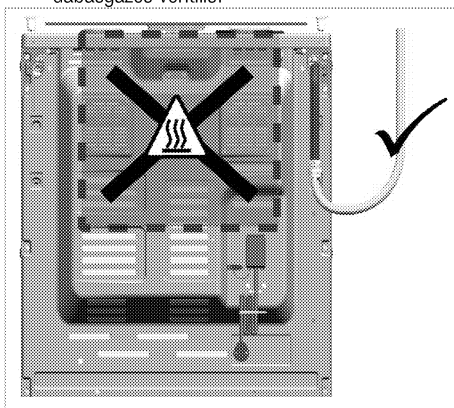


Jūsu iekārta ir aprīkota darbam ar dabasgāzi (DG).

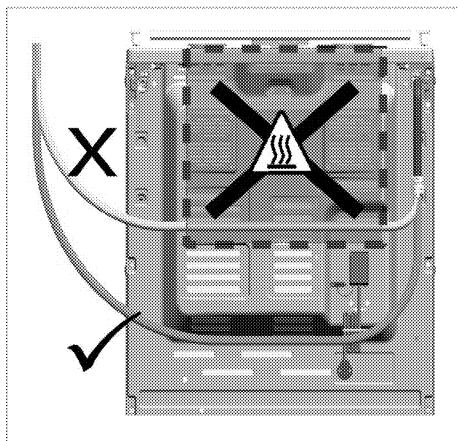
- Pieslēgums dabasgāzes avotam ir pareizi jāgatavo pirms ierīces uzstādīšanas.
- Jūsu ierīces pieslēgumu gāzes avotam veiks pilnvarota klientu apkalpošanas centra darbinieki.
- Pie ierīces pieslēguma atveres jābūt elastīgai caurulei, kas paredzēta dabasgāzes avota pieslēgšanai, un šīs caurules galam jābūt noslēgtam ar ieskrūvējamu aizbāzni. Ieskrūvējamais aizbāznis tiks noņemts pieslēgšanas laikā, un jūsu ierīce tiks pievienota, izmantojot plakānu savienojuma ierīci (uzmavu).
- Pārlicinieties, vai dabasgāzes ventilis ir viegli pieejams.
- Ja vēlāk ierīci nepieciešams izmantot ar citu gāzes veidu, konsultējieties ar pilnvarotu klientu apkalpošanas centru par attiecīgo pārveidošanas procedūru.

Ja ierīcei ir tikai viena gāzes pieslēguma vieta:

- Pirms pievienot gāzes šļūteni, pārbaudiet, vai gāzes šļūtenes pievienošanas vieta ierīces aizmugurē atrodas tajā pašā pusē, kur dabasgāzes ventilis.

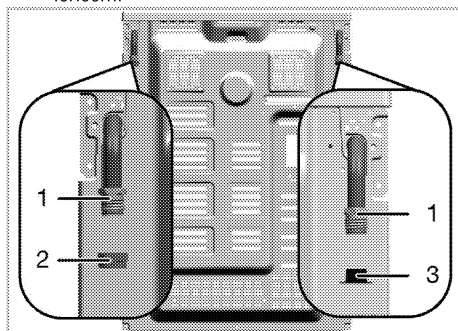


- Ja gāzes šļūtenes pievienošanas vieta no dabasgāzes ventilis nav vienā pusē, nodrošiniet, lai šļūtene, to pievienojot, neiet cauri zonai, kas sakarsis, ierīci lietojot.



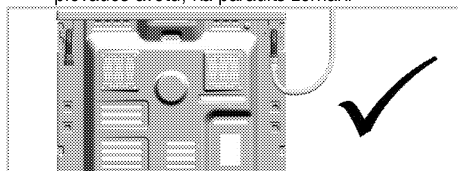
Ja ierīcei ir divas gāzes pieslēguma vietas:

- Viena no pieslēgvietām ir noslēgta ar ieskrūvējamu aizbāzni, bet otra — ar plastmasas aizbāzni. Ieskrūvējamā aizbāžņa un plastmasas aizbāžņa atrašanās vieta var atšķirties dažādām ierīcēm.

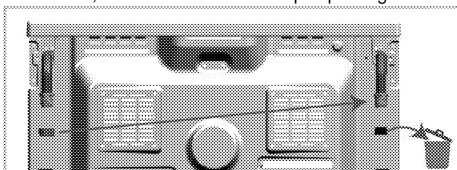


- 1 Gāzes šļūtenes pieslēguma vieta
- 2 Ieskrūvējams aizbāznis
- 3 Plastmasas aizbāznis

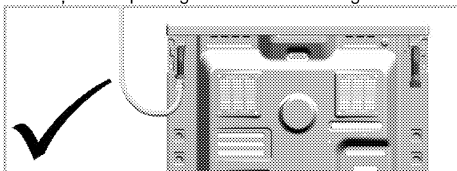
- Pirms gāzes pievienošanas pārliecinieties, vai dabasgāzes ventilis un ar gāzi savienojamā produkta gāzes šļūtenes pieslēguma vieta ir vienā pusē.
- Ja dabasgāzes ventilis un gāzes šļūtenes pieslēgvietā ir noslēgta ar plastmasas aizbāzni vienā pusē, izveidojiet savienojumu ar gāzes pievades avotu, kā parādīts zemāk.



- Ja dabasgāzes ventilis un gāzes šļūtenes ir noslēgta ar plastmasas aizbāzni vienā pusē, noņemiet un izmetiet plastmasas aizbāzni. Izņemiet ieskrūvējamu aizbāzni un ar jaunu (nelietotu) blīvi noslēdziet gāzes šļūtenes izvades vietu, kura netiks izmantota par pieslēguma vietu.



- Izveidojiet savienojumu ar gāzes pievades avotu, kā parādīts attēlā zemāk, izmantojot gāzes šļūtenes pieslēgvietu blakus dabasgāzes ventilim.



Aizdegšanās bīstamība

Ja pieslēgums netiek veikts saskaņā ar zemāk minētajiem norādījumiem, pastāv gāzes noplūdes un uzliesmošanas draudi. **Mūsu uzņēmums neuzņemsies atbildību par bojājumiem, kas rodas, neievērojot šos norādījumus.**

- Pieslēgumu gāzes avotam drīkst veikt tikai pilnvarota pakalpojumu nodrošinātāja darbinieki.
- Pieslēgums gāzes avotam jāveic tikai, izmantojot gāzes šļūtenes pievienošanas vietu blakus dabasgāzes ventilim.
- Atbrīvojieties no plastmasas aizbāžņa, un neizmantojamā gāzes šļūtenes pievienošanas vieta jānoslēdz ar ieskrūvējamu aizbāzni.
- Ja ar ieskrūvējamu aizbāzni noslēdzat gāzes šļūtenes pievienošanas vietu, kas netiks izmantota, noteikti lietojiet jaunu, nelietotu blīvi.



BĪSTAMI:

Elastīgā gāzes šļūtene jāpievieno tā, lai tā nesaskaras ar kustīgām daļām un netiek iespiesta, kad kustīgās daļas pārvietojas. (Piemēram, atvilktnes.) Nenovietojiet šļūteni arī tur, kur tā var tikt saspiesta.



BĪSTAMI:

Gāzes šļūtene nedrīkst tikt saspiesta, salocīts vai iespiests vai saskarties ar iekārtas karstajām detaļām. Pastāv sprādziena risks gāzes šļūtenes bojājuma rezultātā!

Noplūdes pārbaude savienojuma vietā

- Pārlicinieties, vai visi ierices slēdži ir izslēgtā stāvoklī. Pārbaudiet, vai tiek nodrošināta gāzes pievade. Sagatavojiet ziepju putas un uzklājiet tās uz šļūtenes savienojuma vietas, lai pārbaudītu, vai nenotiek gāzes noplūde.
- Ja notiek gāzes noplūde, veidosies ziepju burbuļi. Šādā gadījumā vēlreiz pārbaudiet savienojumu ar gāzes avotu.
- **Ja ierīcei ir divas gāzes šļūtenes pieslēguma vietas**, neizmantojamo vietu noteikti noslēdziet ar ieskrūvējamu aizbāzni. Sagatavojiet ziepju putas un uzklājiet uz ieskrūvējamā aizbāžņa savienojuma vietas, lai pārbaudītu, vai nenotiek gāzes noplūde. Ja notiek gāzes noplūde, veidosies ziepju burbuļi. Šādā gadījumā vēlreiz pārbaudiet ieskrūvējamā aizbāžņa savienojumu.
- Ziepju vietā gāzes noplūdes pārbaudei varat izmantot tirdzniecībā pieejamus aerosolus.



Nekādā gadījumā gāzes noplūdes pārbaudei neizmantojiet sērkokoņus vai šķiltavas.

- Piebīdīiet iekārtu pie virtuves sienas.
- **Plīts kāju noregulēšana**
Trauki var kustēties dēļ vibrācijas izmantošanas laikā. No šīm bīstamās situācijās var izvairīties, ja iekārta ir novietota taisni un vienā līmenī. Savai paša drošībai, lūdzu, nodrošiniet, ka iekārta atrodas vienā līmenī, noregulējot četras kājiņas iekārtas apakšā, tās pagriežot pa kreisi vai labi un novietojot vienā līmenī darba virsmu.

Pēdējā pārbaude

1. Pārbaudiet elektriskās funkcijas.
2. Atveriet gāzes avotu.
3. Pārbaudiet, vai gāzes iekārta ir droši un cieši pievienota.
4. Piešķīliet degļus un pārbaudiet, kāda izskatās liesma.



Ir jābūt zilai un regulāras formas liesmai. Ja liesma ir dzeltenīga, pārbaudiet, vai degļa vāciņš ir droši novietots, vai notīriet degli.

Gāzes konversija



BĪSTAMI:

Pirms jebkura darba, kas saistīts ar gāzes instalāciju, atslēdziet gāzes padevi.
Pastāv sprādziena risks!

Lai mainītu iekārtas gāzes tipu, nomainiet visus inžektorus un noregulējiet liesmu visiem gāzes vārstiem, samazinot caurplūdumu.

Nomainiet degļu inžektoru

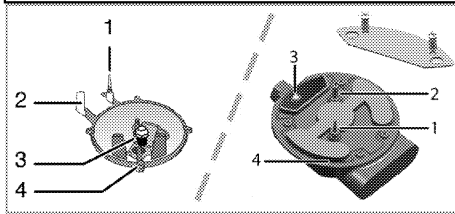
1. Noņemiet degļa vāciņu un degļa korpusu.
2. Atskrūvējiet inžektorus, tos griežot pretēji pulksteņrādītāju kustības virzienam.
3. Ielieciet jaunus inžektorus.
4. Pārbaudiet, vai visi savienojumi ir cieši savienoti.



Jauno inžektoru atrašanās vieta ir atzīmēta uz to iepakojumu vai arī *Inžektora tabula, Lappuse 13* atrodama tabulā.



((Atšķiras atkarībā no iekārtas modeļa.))
Dažiem plīts virsmas degļiem inžektors ir pārklāts ar metāla daļu. Pirms inžektora nomainīšanas ir jānoņem metāla vāciņš.



1. Avārijas ierīce (atkarībā no modeļa)
2. Aizdedzes svece
3. Inžektors
4. Deglis



Ja vien nav neparasta darbība, nemēģiniet noņemt gāzes degļu krānus. Ja nepieciešama krānu nomaiņa, vērsieties pie pilnvarota pakalpojumu sniedzēja.

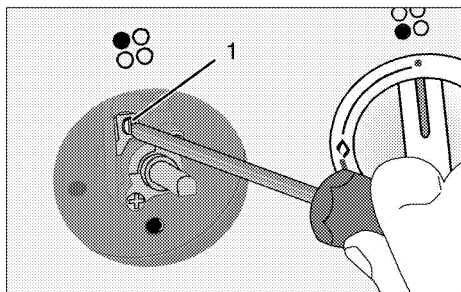
Samazināts gāzes caurplūduma iestatījums plīts virsmas krāniem

1. Aizdedziniet noregulējamo degli un pagrieziet pārslēgu samazinātas liesmas stāvoklī.
2. Noņemiet gāzes krāna pogu.
3. Lai pielāgotu plūsmas ātruma regulēšanas skrūvi, lietojiet piemērota izmēra skrūvgriezi.

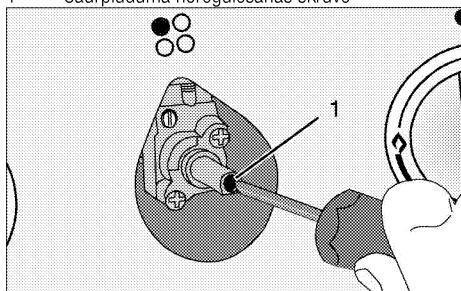
Ja tiek izmantota LPG (propāna-butāna) gāze, pagrieziet skrūvi pulksteņrādītāju kustības virzienā. Ja tiek izmantota dabasgāze, tad skrūve ir vienreiz jāpagriež **pretēji pulksteņrādītāja kustības virzienam**.
» Parastam taisnas liesmas augstumam samazinātā stāvoklī jābūt 6-7 mm.

4. Ja liesma ir augstāka nekā vēlams, grieziet skrūvi pulksteņrādītāju kustības virzienā. Ja tā ir mazāka, grieziet to pretēji pulksteņrādītāju kustības virzienam.
5. Lai izdarītu pēdējo pārbaudi, novietojiet degli pēc kārtas abos galējos stāvokļos un pārbaudiet, vai liesma attiecīgi iedegas un nodziest.

Atkarībā no jūsu iekārtai izmantotā gāzes krāna, regulēšanas skrūves atrašanās vieta var atšķirties.



1 Caurplūduma noregulēšanas skrūve



1 Caurplūduma noregulēšanas skrūve

i Ja iekārtas gāzes tips ir mainīts, tad jānomaina arī tehnisko pamatdatu plāksnīte, kas norāda gāzes tipu.

Atbrīvošanās no vecās iekārtas

- Saglabājiet iekārtas oriģinālo kasti un transportējiet iekārtu tajā. Ievērojiet uz kartona kastes dotos norādījumus. Ja jums nav oriģinālās kartona kastes, iepakojiet iekārtu burbuļplēvē vai biežā kartonā un rūpīgi aptiniet ar līmlenti.
- Lai stieplu plaukts un paplāte, kas atrodas krāsnī, nesabojātu krāsns durvis, krāsns durvju iekšpusē, vienā līmenī ar paplātēm, piestipriniet kartona strēmeli. Ar līmlenti pielīmējiet krāsns durvis pie sānu sienām.
- Nostipriniet degļu vāciņus un katlu atbalsta režģus ar līmlenti.
- Neceliet un nepārvietojiet iekārtu, to turot aiz durvīm vai roktura.

i Nenovietojiet uz iekārtas nekādus priekšmetus un pārvietojiet to stateniski.

i Aplūkojiet savu iekārtu un pārliecinieties, vai transportēšanas laikā tā nav tikusi bojāta.

4 Sagatavošana

Padomi par elektroenerģijas taupīšanu

Šī informācija jums palīdzēs izmantot iekārtu ekoloģiski un ekonomiski.

- Gatavojiet ēdienu cepeškrāsnī tumšas krāsas un emaljētos traukos, jo tas nodrošinās labāku siltuma vadīšanu.
- Pirms ēdiena gatavošanas iepriekš sasildiet cepeškrāsnī, ja tas ir ieteikts lietotāja rokasgrāmatā vai ēdiena gatavošanas pamācībā.
- Ēdiena gatavošanas laikā bieži neviriniet cepeškrāsns durtiņas.
- Ja vien iespējams, mēģiniet cepeškrāsnī vienlaikus gatavot vairākus ēdienus. Varat gatavot ēdienu novietojot divus traukus ar ēdienu uz grila režģa.
- Ja jums jāgatavo vairāki ēdieni, gatavojiet tos uzreiz vienu pēc otra. Tad cepeškrāsns jau būs karsta.
- Varat ietaupīt elektroenerģiju, izslēdzot cepeškrāsnī dažas minūtes pirms ēdiena gatavošanas beigām. Neatveriet cepeškrāsns durvis.
- Pirms saldētu ēdiena gatavošanas tos atļaidiniet.
- Ēdiena gatavošanai izmantojiet katlus/pannas ar vākiem. Gatavojot ēdienu bez vāka, elektroenerģijas patēriņš var būt 4 reizes lielāks.
- Izvēlieties izmantojamā katla pamatnes izmēram piemērotu degli. Vienmēr izvēlieties ēdieniem piemērota izmēra katlu. Lielākiem katliem ir nepieciešams lielāks elektroenerģijas daudzums.

Sākotnējā izmantošana

Iekārtas pirmā tīrīšanas reize



Virsmu var sabojāt zināmi mazgāšanas līdzekļi vai tīrīšanas materiāli.

Tīrīšanai neizmantojiet agresīvus mazgāšanas līdzekļus, tīrīšanas pulverus/krēmus vai citus asus priekšmetus.

1. Noņemiet visus iepakojuma materiālus.
2. Noslaukiet iekārtas virsmas ar mitru drāniņu vai sūklīti un noslaukiet ar drāniņu.

Sākotnējā sakarsēšana

Karsējiet iekārtu aptuveni 30 minūtes un pēc tam izslēdziet. Šādā veidā tiks nodrošināti un notīrīti jebkuru ražošanas atlikumi vai slāņi.



BRĪDINĀJUMS

Karstas virsmas izraisa apdegumus! Iekārta lietošanas laikā var būt karsta. Nekādā gadījumā nepieskarieties karstiem degļiem, krāsns iekšpusei, sildelementiem utt. Neļaujiet bērniem atrasties krāsns tuvumā. Karstā cepeškrāsnī ievietojot ēdienus un tos izņemot no cepeškrāsns, vienmēr izmantojiet siltumizturīgus virtuves cimdus.

Elektriskā cepeškrāsns

1. Izņemiet no cepeškrāsns visas paplātes un grila režģi.
2. Aizveriet cepeškrāsns durvis.
3. Izvēlieties statisko pozīciju.
4. Izvēlieties visaugstāko grila jaudu. Skatiet *Elektriskās krāsns izmantošana, Lappuse 23*.
5. Darbiniet cepeškrāsnī aptuveni 30 minūtes.
6. Izslēdziet cepeškrāsnī. Skatiet *Elektriskās krāsns izmantošana, Lappuse 23*

Cepeškrāsns ar grilu

1. Izņemiet no cepeškrāsns visas paplātes un grila režģi.
2. Aizveriet cepeškrāsns durvis.
3. Izvēlieties visaugstāko grila jaudu. Skatiet *Grila izmantošana, Lappuse 26*.
4. Darbiniet cepeškrāsnī aptuveni 30 minūtes.
5. Izslēdziet grilu. Skatiet *Grila izmantošana, Lappuse 26*



Sākotnējās izmantošanas laikā iekārta var pāris stundas dūmot un smakot. Tā ir visai normāli. Nodrošiniet, ka telpa tiek labi vēdināta, lai izvadītu dūmus un smaku. Izvairieties no tiešas radušos dūmu un smakas ieelpošanas.

5 Plīts virsmas izmantošana

Vispārīga informācija par ēdiena gatavošanu



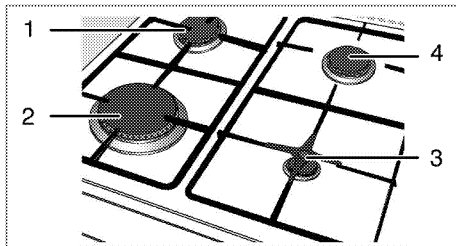
Nekādā gadījumā nepiepildiet pannu ar vairāk vienu trešdaļu eļļas. Eļļas sakarsēšanas laikā neatstājiet plīts virsmu bez uzraudzības. Pārkaršeta eļļa rada aizdegšanās risku. **Nekad nemēģiniet dzēst uguni ar ūdeni!** Kad eļļa aizdegas, apsedziet to ar ugunsdzēsamo segu vai mitru drānu. Izslēdziet plīts virsmu, ja tas nerada draudus jūsu drošībai, un piezvaniet ugunsdzēsības dienestam.

- Pirms ēdiena cepšanas vienmēr to labi nosusiniet un uzmanīgi ielieciet sakarsētā eļļā. Pirms cepšanas pārlicinieties, ka saldētā pārtika ir pilnīgi atlaidzināta.
- Nelieciet vāku uz trauka, ko izmantojiet eļļas sakarsēšanai.
- Novietojiet pannas un kastroļus tā, lai to rokturi neatrodas virs plīts virsmas un netiek sakarsēti. Nelieciet uz plīts virsmas nestabilus traukus, kas var viegli sašķiebties.
- Nelieciet tukšus traukus un katroļus uz ieslēgtām ēdiena gatavošanas zonām. Tie var tikt sabojāti.
- Ēdiena gatavošanas zonas izmantošana bez trauka vai kastroļa radīs iekārtas bojājumu. Pēc ēdiena gatavošanas pabeigšanas izslēdziet ēdiena gatavošanas zonas.
- Tā kā iekārtas virsma var būt karsta, nelieciet uz tās plastmasas un alumīnija traukus. Šādus traukus nevajadzētu izmantot arī ēdiena glabāšanai.
- Izmantojiet tikai kastroļus un traukus ar plakānu apakšu.
- Ievietojiet kastroļus un pannās atbilstošu ēdiena daudzumu. Tādejādi jūs izvairīsieties no nevajadzīgas pāri lījuša ēdiena tīrīšanas. Nelieciet ēdiena gatavošanas zonās kastroļu vai pannu vākus. Novietojiet kastroļus tā, lai tie atrodas ēdiena gatavošanas zonas centrā. Kad vēlaties pārvietot kastroli uz citu ēdiena gatavošanas zonu, nebediet to, bet paceliet un nolieciet vēlamajā ēdiena gatavošanas zonā.

Ēdiena gatavošana uz gāzes

- Trauku un liesmas izmēram ir jāsakrīt. Noregulējiet gāzes liesmas tā, lai liesmas atrastos zem katla apakšas, un novietojiet trauku pa vidu uz kastroļu turētāja.

Plīts virsmu izmantošana



- 1 Parasts deglis 18-20 cm
- 2 Ātri izmantojams deglis 22-24 cm
- 3 Papildu deglis 12-18 cm
- 4 Parasts deglis 18-20 cm ir saraksts ar ieteicamo katlu diametru, kādu vajadzētu izmantot uz attiecīgajiem degļiem.



BRĪDINĀJUMS

Nelietojiet cepešpannas, kuru izmērs pārsniedz norādītos ierobežojumus. Lielāku cepešpannu izmantošana rada risku saindēties ar oglekļa monoksīdu, kā arī iespējamu blakus esošo gatavošanas virsmu un vadības rokturu pārkaršanu. Mazāku cepešpannu lietošana rada apdegumu gūšanas draudus.

Liels liesmas simbols norāda uz vislielāko ēdiena gatavošanas jaudu, bet mazs liesmas simbols norāda uz vismazāko ēdiena gatavošanas jaudu. Izslēgtā stāvoklī (uz augšu) nenotiek gāzes padeve degļiem.

Gāzes degļu aizdegšana



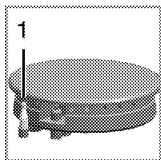
Gāzes degļi tiek aizdegti ar aizdedzes pogām.

1. Turiet degļa pārslēgu nospiestu.
2. Pagrieziet to pretēji pulkstenrādītāju kustības virzienam līdz lielās liesmas simbolam.
3. Nospiediet un atlaidiet aizdedzes pogu. Atkārtojiet šo procedūru, līdz gāze ir aizdegusies.
4. Noregulējiet vēlamu ēdiena gatavošanas jaudu.

Gāzes degļu izslēgšana

Turiet silta ēdiena saglabāšanas zonas pārslēgu izslēgtā (augšējā) pozīcijā.

Drošības sistēma gāzes izslēgšanai (modeļiem ar termisko elementu)



Skaitītājs mēra izplūdi dēļ šķiduma pārplūdes pie degļiem un drošības mehānisms nostrādā un pārtrauc gāzes padevi.

1. Droša gāzes izslēgšana

- Pabīdiet pārslēgu uz iekšpusi un pagrieziet pārslēgu pretēji pulkstenrādītāju kustības virzienam, lai aizdegtu.
- Pēc gāzes aizdegšanās turiet pārslēgu nospiestu vēl 3-5 sekundes, lai aktivizētu drošības sistēmu.
- Ja pēc pārslēga nospiešanas un atlaišanas gāze neaizdegas, atkārtojiet to pašu procedūru, turot pārslēgu nospiestu 15 sekundes.



BĪSTAMI:

Atlaidiet pogu, ja deglis neaizdegas pēc 15 sekundēm.

Pirms atkārtota mēģinājuma pagaidiet vismaz 1 minūti. Pastāv gāzes uzkrāšanās un sprādziena risks!

6 Krāsns izmantošana

Vispārīga informācija par cepšanu, apcepšanu un grilēšanu



BRĪDINĀJUMS

Karstas virsmas izraisa apdegumus! Iekārta lietošanas laikā var būt karsta. Nekādā gadījumā nepieskarieties karstiem degļiem, krāsns iekšpusei, sildelementiem utt. Neļaujiet bērniem atrasties krāsns tuvumā. Karstā cepeškrāsnī ievietojot edienus un tos izņemot no cepeškrāsns, vienmēr izmantojiet siltumizturīgus virtuves cimdus.



BĪSTAMI:

Atveriet krāsns durvis uzmanīgi, jo pa tām var izplūst karsts tvaiks. Izplūstošais tvaiks var applaucēt rokas, seju un/vai acis.

Padomi par kūku cepšanu

- Izmantojiet metāla šķīvjus ar piemērotu pārklājumu, pie kura pārtika nepielīp, alumīnija kārbas vai karstumizturīgas silikona veidnes.
- Pēc iespējas labāk izmantojiet vietu uz režģa.
- Novietojiet cepamo veidni plaukta vidū.
- Pirms krāsns vai grila ieslēgšanas izvēlieties pareizo plaukta pozīciju. Nemainiet plaukta novietojumu, kad krāsns ir karsta.
- Turiet krāsns durvis aizvērtas.

Padomi par gaļas cepšanu

- Pirms pagatavošanas sākšanas vesela cāļa, tītara vai liela gaļas gabala ierīvēšana ar mērci, piemēram citrona sulu un melnajiem pipariem, palielinās ēdiena gatavošanas veiktspēju.
- Gaļu ar kauliem ir jācep aptuveni 15-30 minūtes ilgāk nekā tāda paša izmēra cepetis bez kauliem.
- Katram gaļas biežuma centimetram ir vajadzīgs aptuveni 4-5 minūtes ilgs gatavošanas laiks.
- Pēc ēdiena gatavošanas laika paiešanas atstājiet gaļu krāsnī uz vēl aptuveni 10 minūtēm. Tas ļaus gaļas sulai tikt vienmērīgāk sadalītai pa visu cepeti, un tā netecēs gaļas sagraišanas laikā.
- Ugunsizturīgā traukā ievietotu zivi jānovieto uz vidējā vai zemākā plaukta.

Padomi par grilēšanu

Kad tiek grilēta gaļa, zivis un mājputni, tie ātri kļūst brūni, iegūst jauku garoziņu un nekļūst sausi. Īpaši labi piemēroti grilēšanai ir plakani gabali, uz iesma uzdurami gaļas gabali un cisiņi, kā arī darzeni ar augstu ūdens saturu, teiksim, tomāti un sipoli.

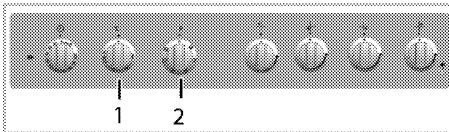
- Izkārtojiet grilējamus gabaliņus uz stieplu grila vai cepešpannas ar stieplu grilu tā, lai to aizņemta platība nav lielāka par sildelementa izmēriem.
- Ievietojiet stieplu grilu vai cepešpannu ar grilu vēlamajā krāsns līmenī. Ja grilējat uz stieplu grila, ievietojiet cepešpannu apakšējā plauktā, lai tajā uztvertu taukus. Lai cepešpanna būtu vieglāk iztīrāma, ielejiet tajā nedaudz ūdens.



Grilēšanai nepiemērota pārtika rada aizdegšanās risku. Grilējiet tikai tādu pārtiku, kas ir piemērota intensīvam grilēšanas karstumam. Neievietojiet pārtiku pārāk tālu grila aizmugurē. Tā ir viskarstākā vieta un taukaina pārtika var aizdegties.

Elektriskās krāsns izmantošana

Izvēlieties temperatūru un darba režīmu



- 1 Termostata pārslēgs
- 2 Funkciju pārslēgs

1. Iestatiet krāsns taimeris atbilstoši vēlamajam ēdiena gatavošanas laikam; skatiet *Cepeškrāsns izmantošana, Lappuse 25*.
2. Novietojiet funkciju pogu iepretim vēlamajam darba režīmam.
3. Novietojiet temperatūras pogu iepretim vēlamajai temperatūrai.

» Krāsns sakarsis līdz noregulētajai temperatūrai un saglabās to. Sakarsēšanas laikā temperatūras lampiņa deg.

Elektriskās krāsns izslēgšana

Novietojiet krāsns taimeris izslēgtā stāvoklī.



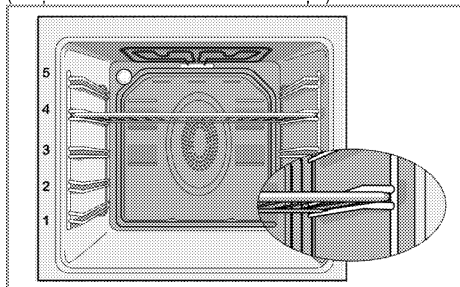
Kad taimeris iestatīts atbilstoši zināmajam laikam, tas automātiski izslēgsies; skatiet *Cepeškrāsns izmantošana, Lappuse 25*

Pagrieziet funkciju pogu un temperatūras pogu izslēgtā stāvoklī (uz augšu).

Stieplu grila pareiza novietošana uz stieplu plaukta ir ļoti svarīga. Stieplu grils ir jāievieto starp stieplu plauktiem, kā parādīts attēlā.

Neļaujiet stieplu grilam atbalstīties pret krāsns aizmugurējo sienu. Pabīdīet stieplu grilu līdz plaukta priekšpusei un nostipriniet ar durvīņu palīdzību, lai panāktu labu grila veiktspēju.

(Atšķiras atkarībā no iekārtas modeļa.)



Darba režīmi

Šeit redzamo darba režīmu secība var atšķirties atkarībā no jūsu iekārtas izkārtojuma.

Augšējais un apakšējais sildelements



Darbojas augšējais un apakšējais sildelements. Pārtika tiek vienlaikus sakarsēta no augšas un apakšas. Piemēram, tas ir piemērots kūkām, konditorijas izstrādājumiem, kēksiem un sautējumiem veidnēs. Ēdiena gatavošanas laikā izmantojiet tikai vienu paplāti.

Apakšējais sildelements



Darbojas tikai apakšējais sildelements. Tas ir piemērots picām un secīgai pārtikas apbrūnīšanai no apakšas.



Šo funkciju jāizmanto arī vieglai tīrīšanai ar tvaiku.

Apakšējais/augšējais sildelements ar ieslēgtu ventilatoru



Darbojas augšējais un apakšējais sildelements, kā arī ventilators (aizmugurējā sienā). Ar ventilatora palīdzību karstais gaiss tiek vienmērīgi sadalīts visā krāsnī. Ēdiena gatavošanas laikā izmantojiet tikai vienu paplāti.

Pilns grila režīms



Darbojas lielais grils krāsns griestos. Tas ir piemērots liela gaļas daudzuma grilēšanai.

- Novietojiet lielas vai vidēja izmēra porcijas uz plaukta pareizajā līmenī zem grilēšanai paredzētā grila sildelementa.
- Iestatiet maksimālo temperatūras līmeni.
- Kad pagājusi puse no ēdiena gatavošanas laika, apgrieziet ēdiena uz otru pusi.

Grils + ventilators



Grila darbība nav tik jaudīga kā pilna grilēšanas režīma laikā.

- Novietojiet nelielas vai vidēja izmēra porcijas plaukta pareizajā vietā zem grilēšanai paredzētā grila sildelementa.
- Iestatiet vēlamo temperatūru.
- Kad pagājusi puse no ēdiena gatavošanas laika, apgrieziet ēdiena uz otru pusi.

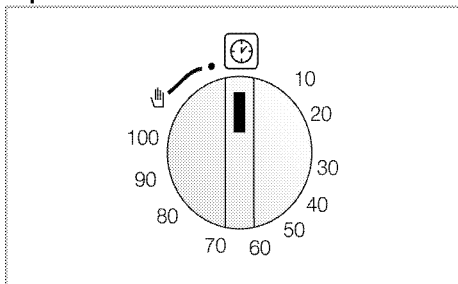
Pastiprinātājs



Šo funkciju var izmantot tikai krāsns ātrai sakarsēšanai. Tā nav piemērota ēdiena gatavošanai.

- Pēc šīs funkcijas izvēles atlasiet vēlamo temperatūru. Temperatūras indikators iedegas, un sākas krāsns sakarsēšana.
- Pēc sakarsēšanas pabeigšanas lampa nodzīsīs. Tagad atlasiet vēlamo funkciju ēdiena gatavošanai.

Cepeškrāsns izmantošana



Ēdiena gatavošanas sākšana



Lai varētu izmantot krāsni, jāizvēlas ēdiena gatavošanas režīms un vēlāmā temperatūru, kā arī jāiestata laiks. Pretējā gadījumā krāsns nedarbosies.

1. Pagrieziet laika regulēšanas pogu pulkstenrādītāju kustības virzienā, lai iestatītu ēdiena gatavošanas laiku.
2. Ielieciet ēdienu krāsnī.
3. Izvēlieties darba režīmu un temperatūru. Skatiet *Elektriskās krāsns izmantošana, Lappuse 23*.

» Krāsns tiks sakarsēta līdz iepriekš iestatītajai temperatūrai un to saglabās līdz izvēlētajam ēdiena gatavošanas beigū laikam.

4. Pēc ēdiena gatavošanas laika paiešanas taimera iestatīšanas poga automātiski pagrieziesies pretēji pulkstenrādītāju kustības virzienam. Atskanēs brīdinājuma signāls, norādot, ka iestatītais laiks ir pagājis, un iekārta ir atvienota no strāvas avota.



Ja nevēlaties izmantot taimera funkciju, pagrieziet pārslēgu pretēji pulkstenrādītāju kustības virzienam līdz rokas simbolam.

5. Izslēdziet krāsni ar temperatūras iestatīšanas pogu, funkciju pogu un temperatūras pogu.

Krāsns izslēgšana pirms iestatītā laika

1. Pagrieziet laika regulēšanas pogu līdz galam pulkstenrādītāju kustības virzienā.
2. Izslēdziet krāsni ar funkciju pogu un temperatūras pogu.

Ēdiena gatavošanas laika tabula



Šajā tabulā norādītie laiki ir norādīti informatīviem nolūkiem. Tie var atšķirties atkarībā no ēdiena temperatūras, biežuma, tipa un jūsu ierastā ēdiena gatavošanas veida.

Konditorijas izstrādājumu un gaļas cepšana



1. krāsns režģis ir **apakšējais** režģis.

Ēdiens	Ēdiena gatavošanas līmeņa numurs		Režģa novietojums	Temperatūra (°C)	Ēdiena gatavošanas laiks (apt. minūtēs)
**Kūkas paplātē	Viens līmenis		4	175	30 ... 35
**Kēksi veidnē	Viens līmenis		2	175	40 ... 50
**Kēksi papīra veidnē	Viens līmenis		3	175	20 ... 30
**Biskvītkūka	Viens līmenis		3	200	5 ... 10
**Čepumi	Viens līmenis		3	175	20 ... 25
**Rauga miklas izstrādājumi	Viens līmenis		2	200	30 ... 40
**Treknī konditorijas izstrādājumi	Viens līmenis		2	200	25 ... 35
**Ieraugs	Viens līmenis		2	200	35 ... 45
**Lazanja	Viens līmenis		2-3	200	30 ... 40
**Pica	Viens līmenis		2	200 ... 220	15 ... 20
Lielopa gaļas steiks (vesēls) / Čepetis	Viens līmenis		3	25 min. 250/maks. pēc tam 180 ... 190	100 ... 120
Jēra stilbs (sautējums)	Viens līmenis		3	25 min. 220, pēc tam 180 ... 190	70 ... 90
Apceptis cālis	Viens līmenis		2	15 min. 250/maks. pēc tam 190 ...	65 ... 70
Titars (5,5 kg)	Viens līmenis		2	25 min. 250/maks., pēc tam 190 ...	150 ... 210
Zivis	Viens līmenis		3	200	20 ... 30

(**) Ēdiena gatavošanai, kam nepieciešama iepriekšēja sildīšana, uzslēdziet krāsni procesa sākumā, līdz tā sasniedz iestatīto temperatūru.

Padomi par kūku cepšanu

- Ja kūka ir pārāk sausa, palieliniet temperatūru par apt. 10 un samaziniet ēdiena gatavošanas laiku.
- Ja kūka ir mitra, izmantojiet mazāk šķidruma vai samaziniet temperatūru par 10°C.

- Ja kūka ir pārāk tumša, novietojiet uz zemāka režģa, samaziniet temperatūru un palieliniet ēdiena gatavošanas laiku.
- Ja ārpuse ir labi izcepusies, bet iekšpuse ir vēl arvien lipīga, izmantojiet mazāk šķidrums, samaziniet temperatūru un palieliniet ēdiena gatavošanas laiku.

Padomi par konditorijas izstrādājumu cepšanu

- Ja konditorijas izstrādājumi ir pārāk sausi, palieliniet temperatūru par apt. 10 un samaziniet ēdiena gatavošanas laiku. Samitriniet rauga mīklas kārtas ar piena, eļļas, olas un jogurta maisījumu.
- Ja konditorijas izstrādājumus ir pārāk ilgi jācep, pievērsiet uzmanību sagatavoto konditorijas izstrādājumu biežumam, lai tas nepārsniedz paplātes dziļumu.
- Ja konditorijas izstrādājumu augšpuse kļūst brūna, bet apakšpuse nav izcepusies, pārliecinieties, ka konditorijas izstrādājumiem izmantotais mitrinošais maisījums nav pārāk daudz uzlijis to apakšdaļā. Mēģiniet šo maisījumu vienmērīgi izsmērēt uz visām rauga mīklas kārtām un konditorijas izstrādājumu virsmas, lai tie kļūtu vienādi brūni.



Cepiet konditorijas izstrādājumus atbilstoši ēdiena gatavošanas tabulā norādītajam režīmam un temperatūrai. Ja apakša vēl arvien nav pietiekami brūna, nākamo reizi ielieciet krāsni par vienu plauktu zemāk.

Padomi par dārzeņu vārīšanu

- Ja dārzeņu ēdiens zaudē sulīgumu un kļūst ļoti sauss, gatavojiet to pannā ar vāku, nevis krāsns paplātē. Slēgtos traukos ēdiena sulīgums saglabāsies.
- Ja dārzeņu ēdiena netiek līdz galam pagatavots, vispirms izvēriet dārzenus vai sagatavojiet tāpat kā kartošiem, un pēc tam ievietojiet krāsni.

Grīla izmantošana



BRĪDINĀJUMS

Grīlēšanas laikā aizveriet krāsns durvis. Karstas virsmas var izraisīt apdegumus!

- Grīlēšanas laikā pagrieziet laika regulēšanas pogas skaitītāju līdz rokas simbolam.

Grīla ieslēgšana

1. Pagrieziet funkciju pogu līdz vēlamajam grīla simbolam.
2. Pēc tam iestatiet vēlamo grīla temperatūru.
3. Ja nepieciešams, veiciet aptuveni 5 minūtes ilgu iepriekšēju sakarsēšanu.

» Temperatūras indikators ieslēgsies.

Grīla izslēgšana

1. Pagrieziet funkciju pogu izslēgtā stāvoklī (uz augšu).



Grīlēšanai nepiemērota pārtika rada aizdegšanās risku. Grīlējiet tikai tādu pārtiku, kas ir piemērota intensīvam grīlēšanas karstumam. Neievietojiet pārtiku pārāk tālu grīla aizmugurē. Tā ir viskarstākā vieta un tautaina pārtika var aizdegties.

Ēdiena grīlēšanas laika tabula

Grīlēšana ar elektrisko grīlu

Ēdiens	Režģa novietojums	Ieteicamā temperatūra (°C)**	Grīlēšanas laiks (apt.)
Zivis	4..5	250/max	20..25 min. #
Sagriezts cālis	4..5	250/max	25...35 min.
Jēra gaļas karbonāde	4..5	250/max	20..25 min.
Rostbīfs	4..5	250/max	25...30 min. #
Teļa gaļas karbonāde	4..5	250/max	25...30 min. #
Graudzēta maize *	4	250/max	1...3 min.

* atkarībā no biezuma

#Pirms gatavošanas iesildiet iekārtu 5 minūtes.

**Ja jūsu izstrādājuma grīla temperatūru nevar regulēt, grīls darbosies maksimālajā temperatūrā.

7 Apkope un tīrīšana

Vispārīga informācija

Regulāra tīrīšana pagarina iekārtas kalpošanas laiku un samazina bieži sastopamas problēmas.



BĪSTAMI:

Pirms apkalpošanas un tīrīšanas darbu uzsākšanas atvienojiet iekārtu no barošanas avota.

Pastāv elektriskās strāvas trieciena risks.



BĪSTAMI:

Pirms tīrīšanas sākšanas ļaujiet iekārtai atdzist.

Karstas virsmas var izraisīt apdegumus!

- Pēc katras lietošanas reizes rūpīgi notīriet iekārtu. Šādi būs iespējams daudz vieglāk notīrīt pēc ēdiena gatavošanas palikušās atliekas, tādejādi izvairoties no to piedegšanas nākamajā iekārtas izmantošanas reizē.
- Iekārtas tīrīšanai nav nepieciešami īpaši tīrīšanas līdzekļi. Iekārtas tīrīšanai izmantojiet siltu ūdeni un mazgāšanas šķidrumu, mikstu drāniņu vai švammīti un noslaukiet iekārtu ar mikstu drāniņu.
- Vienmēr pārliecinieties, vai pēc tīrīšanas un uzreiz pēc izšļakstīšanās ir rūpīgi noslaucīts viss lielais ūdens.
- Nerūsējošā tērauda virsmu un roktura tīrīšanai neizmantojiet tīrīšanas līdzekļus, kuru sastāvā ir skābe vai hlorīds. Lai notīrītu šīs daļas, izmantojiet mikstu drāniņu un šķidro mazgāšanas līdzekli (kas nav abrazīvs) un slaukiet tikai vienā virzienā.
- **(Šī funkcija ir izvēles iespēja. Jūsu ierīcē tā var nebūt pieejama.)**

Stikla vāka tīrīšanai neizmantojiet blīvus metāla skrāpjus vai abrazīvus materiālus. Stikla virsma var tikt sabojāta.



Virsmu var sabojāt zināmi mazgāšanas līdzekļi vai tīrīšanas materiāli.

Tīrīšanai neizmantojiet agresīvus mazgāšanas līdzekļus, tīrīšanas pulverus/krēmus vai citus asus priekšmetus.



Ierīces tīrīšanai neizmantojiet tvaika tīrītājus, jo tas var izraisīt elektriskās strāvas triecienus.

Plīts virsmas tīrīšana

Gāzes plīts virsmas

1. Noņemiet un notīriet kastroļu turētājus un degļu vāciņus.
2. Notīriet plīts virsmu.

3. Uzlieciet degļu vāciņus un pārliecinieties, ka tie ir pareizi uzlikti.
4. Uzliekot augšējos režģus, novietojiet kastroļu turētājus tā, lai degļi būtu centrā.

Vadības paneļa tīrīšana

Notīriet vadības paneli un pogas ar mitru drāniņu un noslaukiet sausus.



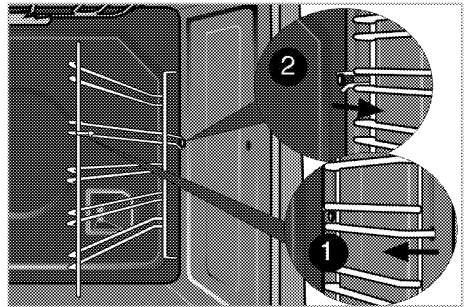
Ja jūsu izstrādājumam ir pogas/rokturi, tīrot vadības paneli, nenoņemiet vadības rokturus. Var tikt sabojāts vadības panelis!

Krāsns tīrīšana

Sānu sienas tīrīšana (Atšķiras atkarībā no iekārtas modeļa.)

(Šī funkcija ir izvēles iespēja. Jūsu ierīcē tā var nebūt pieejama.)

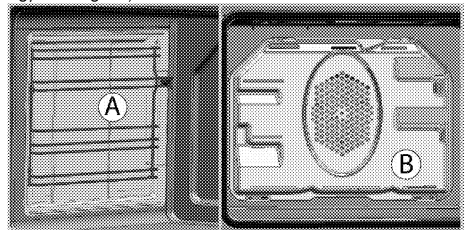
1. Noņemiet sānu režģa priekšējo daļu, to velkot sānu sienai pretējā virzienā.
2. Pilnībā izņemiet sānu režģi, to velkot savā virzienā



Katalītiskas sienas

(Šī funkcija ir izvēles iespēja. Jūsu ierīcē tā var nebūt pieejama.)

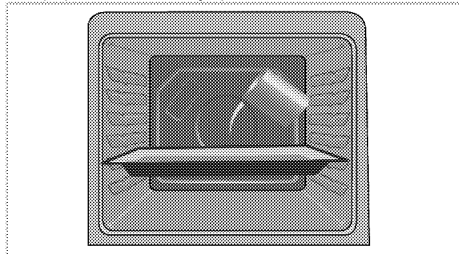
Jūsu ierīces iekšējās sānu sienas (A) un/vai aizmugurējā siena (B) var būt pārklātas ar katalītisko emalju. Katalītiskās sienas ir viegli matētā krāsā, to virsma ir poraina. Krāsns katalītiskās sienas nav jātīra. Katalītisko sienu porainā virsma tiek tīrta automātiski, tā absorbē un pārveido uzšļakstījušos eļļu (tvaiks un ogļskābā gāze).



Viegla tīrīšana ar tvaiku

Tas nodrošina vieglu tīrīšanu, jo netīrumus (ja nav gaidīts pārāk ilgi) atmiekskē tvaiks, kas izveidojas krāsni, un ūdens lāsītes, kas kondensējas uz krāsns iekšējām virsmām.

1. Izņemiet no krāsns visus piederumus.
2. Ielejiet krāsns paplātē 500 ml ūdens un ievietojiet paplāti krāsns otrajā plauktā.



3. Uzstādīt cepeškrāsni līdz viegli tvaika tīrīšanas režīmā un palaist pie 100 ° C temperatūrā 25 minūtes.
4. Atveriet durvis un nolaukiet krāsns iekšējās virsmas ar mitru sūklīti vai drāniņu.
5. Iekārtas tīrīšanai izmantojiet siltu ūdeni un mazgāšanas šķidrums, mikstu drāniņu vai švamīti, lai atbrīvotos no grūti notīrāmiem netīrumiem, un noslaukiet iekārtu ar sausu drāniņu.

Notīriet krāsns durvis

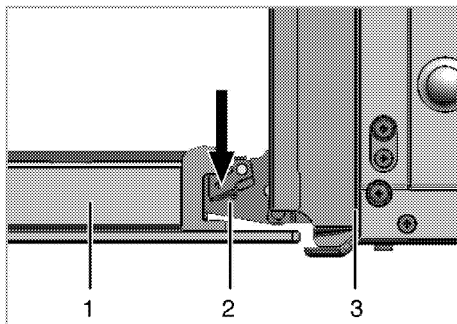
Krāsns durvju tīrīšanai izmantojiet siltu ūdeni un mazgāšanas šķidrums, mikstu drāniņu vai švamīti, un noslaukiet ar sausu drāniņu.



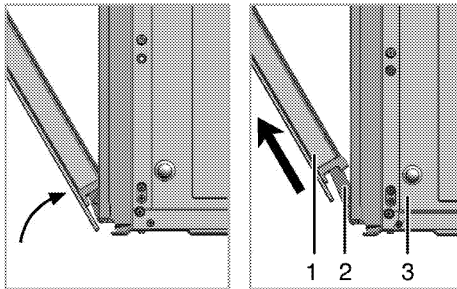
Neizmantojiet krāsns durvju tīrīšanai asus abrazīvus tīrīšanas līdzekļus vai asus metāla skrāpļus. Tie var saskrāpēt virsmu un sabojāt stiklu.

Krāsns durvju izņemšana

1. Atveriet priekšējās durvis (1).
2. Atveriet klipšus priekšējo durvju eņģu ietvara (2) labajā un kreisajā pusē, piespiežot tos uz leju, kā parādīts attēlā.



- 1 Priekšējās durvis
- 2 Eņģe
- 3 Krāsns



3. Līdz pusei pārvietojiet priekšējās durvis.
4. Izceliet priekšējās durvis, tās pavelkot uz augšu, lai izņemtu no abām eņģēm.



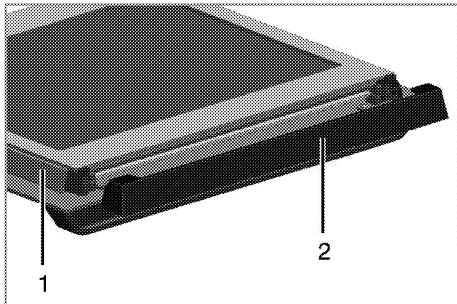
Lai atkal ieliktu durvis, veiciet izņemšanas laikā izdarītās darbības apgriezta secībā. Pēc durvju ielikšanas atpakaļ neaizmirsiet aizvērt klipšus, kuri atrodas pie eņģu ietvara.

Iekšējo stikla durvju izņemšana

(Šī funkcija ir izvēles iespēja. Jūsu ierīcē tā var nebūt pieejama.)

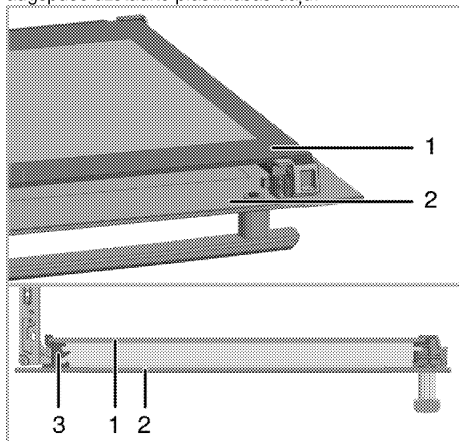
Krāsns durvju iekšējais stikla panelis var tikt izņemts notīrīšanai.

Atveriet krāsns durvis.



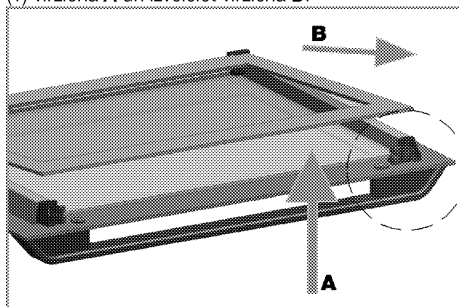
- 1 Rāmis
- 2 Plastmasas daļa

Pavelciet uz sevi un noņemiet priekšējo durvju augšpusē uzstādīto plastmasas daļu.



- 1 Iekšējais stikla panelis
- 2 Ārējais stikla panelis
- 3 Stikla paneļa plastmasas grope — apakšējā

Kā parādīts attēlā, mazliet paceliet iekšējo stikla paneli (1) virzienā **A** un izvelciet virzienā **B**.



Pēc iekšējā stikla paneļa (1) ievietošanas pārliecinieties, vai paneļa apdrukātā puse ir pavērsta uz iekšpusi.

Iekšējā stikla paneļa apakšējam stūrim ir jābūt ievietotam apakšējā plastmasas gropē.

Velciet plastmasas daļu rāmja virzienā, līdz atskan „klikšķis”.

Krāsns lampas nomaiņšana



BĪSTAMI:

Lai izvairītos no elektriskās strāvas trieciena, pirms krāsns lampas nomaiņšanas pārliecinieties, ka iekārta ir atvienota no barošanas avota un atdzisusi. Karstas virsmas var izraisīt apdegumus!



Cepeškrāsns lampas ir īpaša elektriskā spuldzīte, kas var izturēt 300 °C temperatūru. Sīkāku informāciju skatiet "*Tehniskā specifikācija, Lappuse 13*". Cepeškrāsns lampas iespējams iegādāties pilnvarotā apkalpošanas centrā.



Lampa var neatrasties attēlā redzamajā vietā.



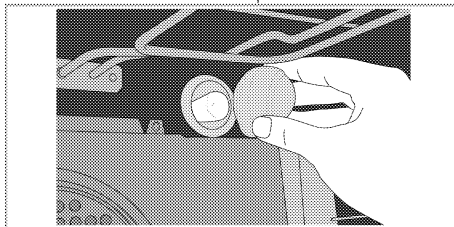
Šajā ierīcē izmantotā lampas nav piemērota mājsaimniecības telpu apgaismošanai. Šo lampu ir paredzēts lietot, lai ierīces lietotājam būtu vieglāk saskatīt pārtikas produktus.



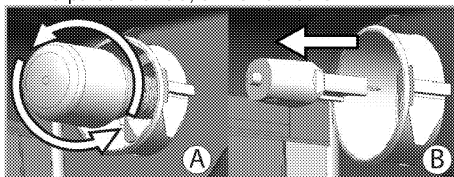
Šajā ierīcē izmantotajām lampām ir jāspēj funkcionēt ekstrēmās fiziskos apstākļos, piemēram, temperatūrā, kas nepārsniedz 50 °C.

Ja cepeškrāsnij ir apaļa lampas

1. Atvienojiet iekārta no barošanas avota.
2. Pagrieziet stikla vāku pretēji pulkstenrādītāju kustības virzienam un noņemiet.



3. Ja jūsu krāsns lampiņas tips ir (A), kā parādīts attēlā tālāk, izņemiet to, griežot kā parādīts, un nomainiet. Ja tās tips ir (B), pavelciet un izņemiet, kā parādīts attēlā, un nomainiet to.



4. Uzlieciet stikla vāku.

8 Traucējummeklēšana

Krāsns lietošanas laikā rada tvaiku.

- Tas ir normāli, ka darbības laikā rodas tvaiks. >>> *Tā nav darbības kļūda.*

Iekārta sakaršanas un atdzišanas laikā rada metāliskus trokšņus.

- Kad metāla daļas ir sakarsušas, tās var izplesties un radīt troksni. >>> *Tā nav darbības kļūda.*

Iekārta nedarbojas.

- Galvenais drošinātājs ir bojāts vai atvienojies. >>> *Pārbaudiet drošinātājus, kas atrodas drošinātāju kārbā. Ja nepieciešams, tos nomainiet vai atkal aktivizējiet.*
- Iekārta nav pievienota (iezemētai) kontaktligzdai. >>> *Pārbaudiet spraudkontakta savienojumu.*

Krāsns apgaismojums nestrādā.

- Krāsns lampa ir bojāta. >>> *Nomainiet krāsns lampu.*
- Barošana ir atslēgta. >>> *Pārbaudiet, vai notiek strāvas padeve. Pārbaudiet drošinātājus, kas atrodas drošinātāju kārbā. Ja nepieciešams, tos nomainiet vai atkal aktivizējiet.*

Krāsns nesakarst.

- Iespējams, nav iestatīta konkrēta funkcija un/vai temperatūra. >>> *lestatiet vajadzīgo cepeškrāsns funkciju un/vai temperatūru.*
- Modeļiem ar taimeri nav iestatīts taimeris. >>> *Noregulējiet laiku.* (Iekārtām ar mikroviļņu krāsni taimeris kontrolē tikai mikroviļņu krāsni.)
- Barošana ir atslēgta. >>> *Pārbaudiet, vai notiek strāvas padeve. Pārbaudiet drošinātājus, kas atrodas drošinātāju kārbā. Ja nepieciešams, tos nomainiet vai atkal aktivizējiet.*

Nav aizdedzes dzirksteles.

- Nav strāvas. >>> *Pārbaudiet drošinātājus, kas atrodas drošinātāju kārbā.*
- Laiks nav iestatīts. >>> *lestatiet laiku.*

Nav gāzes.

- Galvenais gāzes krāns ir aizvērts. >>> *Atveriet gāzes krānu.*
- Gāzes šļūtenīte ir saliekta. >>> *levietojiet gāzes šļūtenīti pareizi.*

Degļi nedeg vai nedeg pareizi.

- Degļi ir netīri. >>> *Notīriet degļu sastāvdaļas.*
- Degļi ir slapji. >>> *Noslaukiet degļu sastāvdaļas.*
- Degļa vāciņš nav kārtīgi uzlikts. >>> *Uzlieciet degļa vāciņu pareizi.*
- Gāzes krāns ir aizvērts. >>> *Atveriet gāzes krānu.*
- Gāzes balons ir tukšs (izmantojot LPG). >>> *Nomainiet gāzes balonu.*

(Modeļiem ar taimeri) Pulksteņa displejs mirgo vai redzams pulksteņa simbols.

- Pirms kāda laika noticis elektropadeves pārtraukums. >>> *Noregulējiet laiku. / Izslēdziet un atkal ieslēdziet iekārtu.*



Ja nevarat novērst problēmu arī pēc visu šajā sadaļā doto norādījumu izpildes, tad sazinieties ar pilnvarotu apkalpošanas speciālistu vai šīs iekārtas pārdevēju. Nekādā gadījumā nemēģiniet pats salabot bojāto iekārtu.

