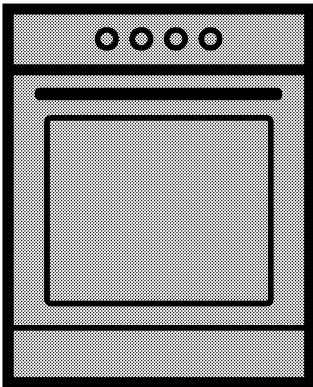


Oven

User manual



FSG62000DW
FSG62000DX

EN | IT

285.3038.44/R.AC/30.11.2017

Please read this user manual first!

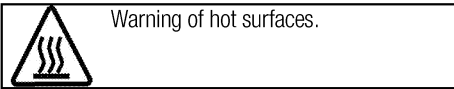
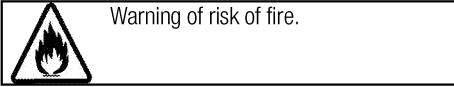
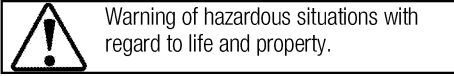
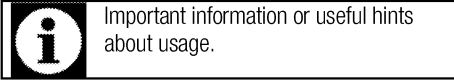
Dear Customer,

Thank you for purchasing this Beko product. We hope that you get the best results from your product which has been manufactured with high quality and state-of-the-art technology. Therefore, please read this entire user manual and all other accompanying documents carefully before using the product and keep it as a reference for future use. If you handover the product to someone else, give the user manual as well. Follow all warnings and information in the user manual.

Remember that this user manual is also applicable for several other models. Differences between models will be identified in the manual.

Explanation of symbols

Throughout this user manual the following symbols are used:



Arçelik A.Ş.

Karaağaç caddesi No:2-6
34445 Sülüce/İstanbul/TURKEY

Made in TURKEY



This product was manufactured using the latest technology in environmentally friendly conditions.

TABLE OF CONTENTS

1 Important instructions and warnings for safety and environment 4

General safety	4
Safety when working with gas.....	4
Product safety	6
Intended use	8
Safety for children.....	8
Disposing of the old product	8
Package information	8

2 General information 9

Overview	9
Package contents	10
Technical specifications	11
Injector table	11

3 Installation 12

Before installation	12
Installation and connection	13
Gas conversion	15
Future Transportation.....	18

4 Preparation 19

Tips for saving energy	19
Initial use.....	19
First cleaning of the appliance	19

5 How to use the hob 20

General information about cooking	20
Using the hobs	20

6 How to operate the oven 22

General information on baking, roasting and grilling.....	22
How to use the gas oven.....	22
Cooking times table.....	23
How to operate the gas grill	24
Cooking times table.....	24

7 Maintenance and care 25

General information	25
Cleaning the hob	25
Cleaning the control panel	25
Cleaning the oven	26
Removing the oven door	26
Removing the door inner glass.....	26

8 Troubleshooting 28

1 Important instructions and warnings for safety and environment

This section contains safety instructions that will help protect from risk of personal injury or property damage. Failure to follow these instructions shall void any warranty.

General safety

- This appliance can be used by children aged from 8 years and above and persons with reduced physical, sensory or mental capabilities or lack of experience and knowledge if they have been given supervision or instruction concerning use of the appliance in a safe way and understand the hazards involved.

Children shall not play with the appliance. Cleaning and user maintenance shall not be made by children without supervision.

- The appliance is not to be used by persons (including children) with reduced physical, sensory or mental capabilities, or lack of experience and knowledge, unless they have been given supervision or instruction. Children should be supervised and ensure they do not play with the appliance
- If the product is handed over to someone else for personal use or second-hand use purposes, the

user manual, product labels and other relevant documents and parts should be also given.

- Never place the product on a carpet-covered floor. Otherwise, lack of airflow beneath the product will cause electrical parts to overheat. This will cause problems with your product.
- Installation and repair procedures must always be performed by Authorised Service Agents. The manufacturer shall not be held responsible for damages arising from procedures carried out by unauthorised persons which may also void the warranty. Before installation, read the instructions carefully.
- Do not operate the product if it is defective or has any visible damage.
- Ensure that the product function knobs are switched off after every use.

Safety when working with gas

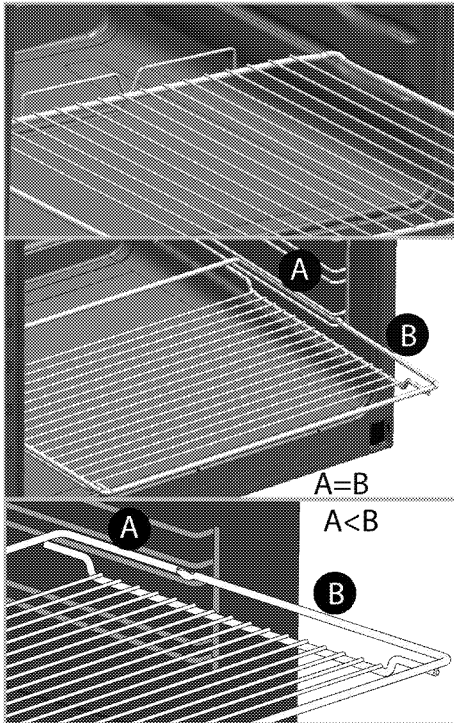
- Any works on gas equipment and systems may only be carried out by authorised qualified persons who are Gas Safe registered.
- Prior to the installation, ensure that the local distribution conditions (nature of the gas and

- gas pressure) and the adjustment of the appliance are compatible.
- This appliance is not connected to a combustion products or evacuation device. It shall be installed and connected in accordance with current installation regulations. Particular attention shall be given to the relevant requirements regarding ventilation; See *Before installation, page 12*
 - CAUTION: The use of gas cooking appliance results in the production of heat and moisture in the room in which it is installed. Ensure that the kitchen is well ventilated: keep natural ventilation holes open or install a mechanical ventilation device (mechanical extractor hood). Prolonged intensive use of the appliance may call for additional ventilation, for example increasing the level of the mechanical ventilation where present.
 - Gas appliances and systems must be regularly checked for proper functioning. Regulator, hose and its clamp must be checked regularly and replaced within the periods recommended by its manufacturer or when necessary.
 - Clean the gas burners regularly. The flames should be blue and burn evenly.
 - This product should be used in a room which incorporates a properly adjusted and functioning Carbon Monoxide sensor. Make sure the Carbon Monoxide sensor works properly and is maintained frequently. Carbon Monoxide sensor should be installed maximum 2 meters away from the product.
 - Good combustion is required in gas appliances. In case of incomplete combustion, carbon monoxide (CO) might develop. Carbon monoxide is a colourless, odourless and very toxic gas, which has a lethal effect even in very small doses.
 - Request information about gas emergency telephone numbers and safety measures in case of gas smell from you local gas provider.
- What to do when you smell gas**
- Do not use open flame or do not smoke. Do not operate any electrical buttons (e.g. lamp button, door bell and etc.) Do not use fixed or mobile phones. Risk of explosion and toxication!
 - Open doors and windows.
 - Turn off all valves on gas appliances and gas meter at the main control valve, unless it's in a confined space or cellar.

- Check all tubes and connections for tightness. If you still smell gas leave the property.
- Warn the neighbours.
- Call the fire-brigade. Use a telephone outside the house.
- Do not re-enter the property until you are told it is safe to do so.

Product safety

- **WARNING:** The appliance and its accessible parts become hot during use. Care should be taken to avoid touching heating elements. Children less than 8 years of age shall be kept away unless continuously supervised.
- Never use the product when your judgment or coordination is impaired by the use of alcohol and/or drugs.
- Be careful when using alcoholic drinks in your dishes. Alcohol evaporates at high temperatures and may cause fire since it can ignite when it comes into contact with hot surfaces.
- **Food Poisoning Hazard:** Do not let food sit in oven for more than 1 hour before or after cooking. Doing so can result in food poisoning or sickness.
- Do not place any flammable materials close to the product as the sides may become hot during use.
- During use the appliances becomes hot. Care should be taken to avoid touching heating elements inside the oven.
- Keep all ventilation slots clear of obstructions.
- Do not heat closed tins and glass jars in the oven. The pressure that would build-up in the tin/jar may cause it to burst.
- Do not place baking trays, dishes or aluminium foil directly onto the bottom of the oven. The heat accumulation might damage the bottom of the oven.
- Do not use harsh abrasive cleaners or sharp metal scrapers to clean the oven door glass since they can scratch the surface, which may result in shattering of the glass.
- Do not use steam cleaners to clean the appliance as this may cause an electric shock.
- (Varies depending on the product model.)
Placing the wire shelf and tray onto the wire racks properly
It is important to place the wire shelf and/or tray onto the rack properly. Slide the wire shelf or tray between 2 rails and make sure that it is balanced before placing food on it (Please see the following figure).



- Do not use the product if the front door glass removed or cracked.
- Do not use the oven handle to hang towels for drying. Do not hang up towel, gloves, or similar textile products when the grill function is at open door.
- Always use heat resistant oven gloves when putting in or removing dishes into/from the hot oven.
- Place the baking paper into the cooking pot or on to the oven accessory (tray, wire grill etc) together with the food and then insert all into the preheated oven. Remove the excess parts of the baking paper overflowing from the

accessory or the pot in order to prevent the risk of touching the oven's heating elements. Never use the baking paper in an operating temperature higher than the indicated value for the baking paper. Do not place the baking paper directly on the base of the oven.

- Do not close the top cover before the hotplates or burners cool down.
Wipe the top cover dry before opening it in order to avoid water leakage to the rear and inner sections of the oven.
- The appliance must not be installed behind a decorative door in order to avoid overheating.
- Product must be placed directly on the floor. It must not be placed onto a base or a pedestal.
- **WARNING:** Unattended cooking on a hob with fat or oil can be dangerous and may result in fire. NEVER try to extinguish a fire with water, but switch off the appliance and then cover flame e.g. with a lid or a fire blanket.
- **CAUTION:** The cooking process has to be supervised. A short term cooking process has to be supervised continuously.
- **WARNING:** Danger of fire: Do not store items on the cooking surfaces.

Prevention against possible fire risk!

- Ensure all electrical connections are secure and tight to prevent risk of arcing.
- Do not use damaged cables or extension cables.
- Ensure liquid or moisture is not accessible to the electrical connection point.
- To prevent gas leakage ensure that the gas connection is sound.

Intended use

- This product is designed for domestic use. Commercial use will void the guarantee.
- **CAUTION:** This appliance is for cooking purposes only. It must not be used for other purposes, for example room heating.
- This product should not be used for warming the plates under the grill, drying towels, dish cloths etc. by hanging them on the oven door handles. This product should also not be used for room heating purposes.
- The manufacturer shall not be liable for any damage caused by improper use or handling errors.
- The oven can be used for defrosting, baking, roasting and grilling food.

Safety for children

- **WARNING:** Accessible parts may become hot during use. Young children should be kept away.

- The packaging materials will be dangerous for children. Keep the packaging materials away from children. Please dispose of all parts of the packaging according to environmental standards.
- Electrical and/or gas products are dangerous to children. Keep children away from the product when it is operating and do not allow them to play with the product.
- An additional protective means to avoid contact with the oven door is available. This part should be fitted when young children are likely to be present.
- Do not place any items above the appliance that children may reach for.
- When the door is open, do not load any heavy object on it and do not allow children to sit on it. It may overturn or door hinges may get damaged.

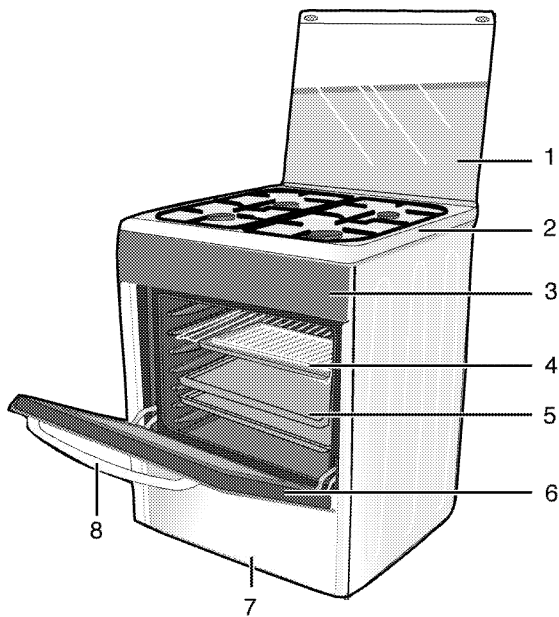
Disposing of the old product

Package information

- Packaging materials of the product are manufactured from recyclable materials in accordance with our National Environment Regulations. Do not dispose of the packaging materials together with the domestic or other wastes. Take them to the packaging material collection points designated by the local authorities.

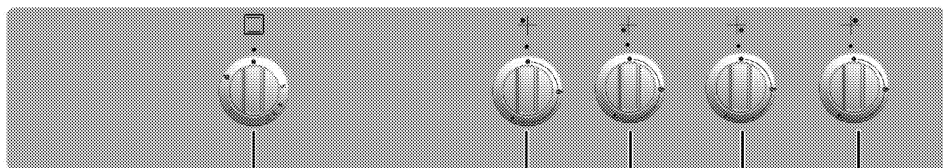
2 General information

Overview



- 1 Top lid
- 2 Burner plate
- 3 Control panel
- 4 Wire shelf

- 5 Tray
- 6 Front door
- 7 Lower part
- 8 Handle



- 1 Oven knob
- 2 Normal burner Rear left
- 3 Rapid burner Front left

- 4 Auxiliary burner Front right
- 5 Normal burner Rear right

Package contents

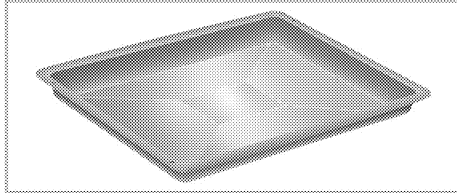


Accessories supplied can vary depending on the product model. Not every accessory described in the user manual may exist on your product.

1. **User manual**

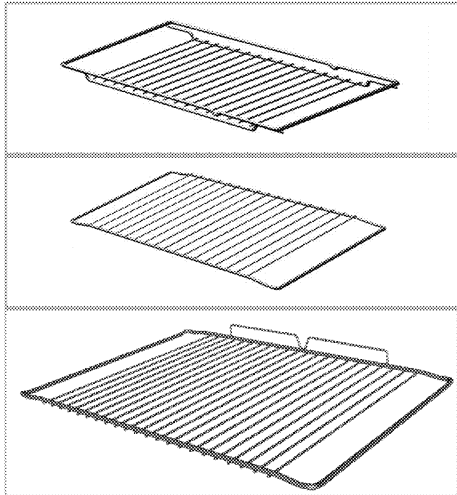
2. **Standard tray**

Used for pastries, frozen foods and big roasts.



3. **Wire grill**

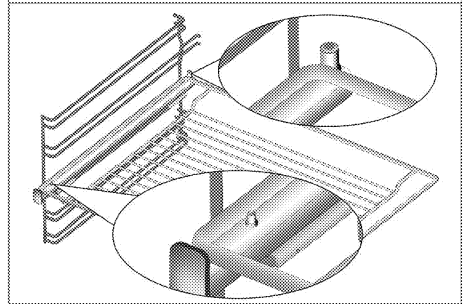
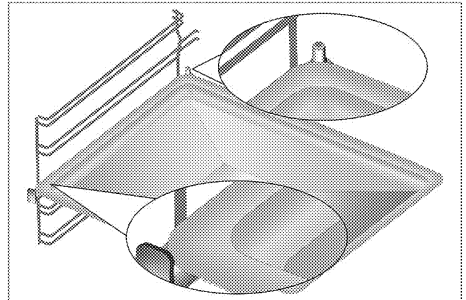
Used for roasting and for placing the food to be baked, roasted or cooked in casserole dishes to the desired rack.



4. **Placing the wire shelf and tray onto the telescopic racks properly**
(This feature is optional. It may not exist on your product.)

Telescopic racks allow you to install and remove the trays and wire shelf easily.

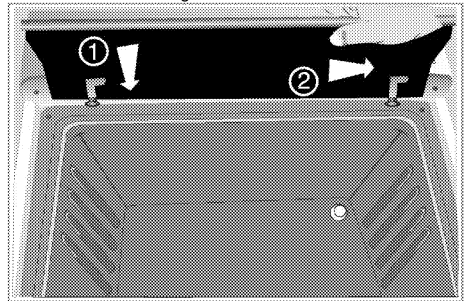
When using the tray and wire shelf with telescopic racks, make sure that the pins at the rear section of the telescopic rack stands against the edges of the wire shelf and tray.



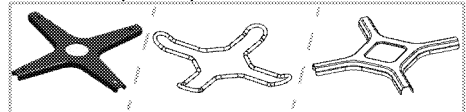
5. **Knob protection sheet**

Used for grilling with the oven door open.

Protects the control panel and buttons against heat and soiling.



6. **Coffee pot adaptor**



Used for coffee pots.

Technical specifications

GENERAL	
External dimensions (height / width / depth)	850 mm/600 mm/600 mm
Category of gas product	II 2H3+
Gas type / pressure	NG G 20/20 mbar
Total gas consumption	10.4kW
Converting the gas type / pressure ^S	LPG G 30/28-30 mbar
– optional	Propane 31/37 mbar
HOB	
Burners	
Rear left	Normal burner
Power	2000 W
Front left	Rapid burner
Power	2900 W
Front right	Auxiliary burner
Power	1000 W
Rear right	Normal burner
Power	2000 W
OVEN/GRILL	
Main oven	Gas oven
Grill power consumption	2.5 kW
Gas consumption of oven	2.5 kW



Technical specifications may be changed without prior notice to improve the quality of the product.



Figures in this manual are schematic and may not exactly match your product.



Values stated on the product labels or in the documentation accompanying it are obtained in laboratory conditions in accordance with relevant standards. Depending on operational and environmental conditions of the product, these values may vary.

Injector table

Position hob zone	2000 W Rear left	2900 W Front left	1000 W Front right	2000 W Rear right
Gas type / Gas pressure				
G 20/20 mbar	103	115	72	103
G 30/28-30 mbar	72	87	50	72
G 31/ 37 mbar	72	87	50	72
Gas type / Gas pressure	Gas oven		Grill	
G 20/20 mbar	115		115	
G 30/28-30 mbar	73		73	
G 31/ 37 mbar	73		73	

3 Installation

Product must be installed by a qualified person in accordance with the regulations in force. The manufacturer shall not be held responsible for damages arising from procedures carried out by unauthorized persons which may also void the warranty.



Preparation of location and electrical and gas installation for the product is under customer's responsibility.



DANGER:

The product must be installed in accordance with all local gas and/or electrical regulations.



DANGER:

Prior to installation, visually check if the product has any defects on it. If so, do not have it installed.

Damaged products cause risks for your safety.

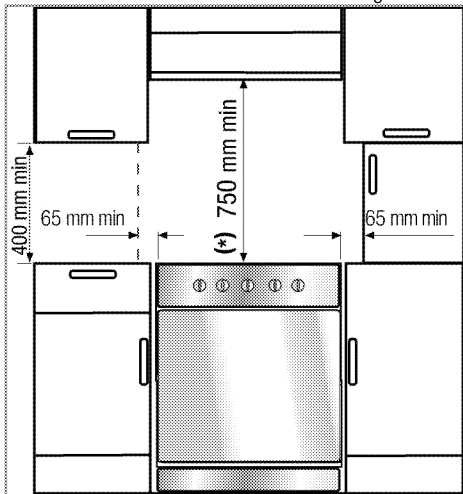
Before installation

To ensure that critical air gaps are maintained under the appliance, we recommend that this appliance is mounted on a solid base and that the feet do not sink into any carpet or soft flooring.

The kitchen floor must be able to carry the weight of the appliance plus the additional weight of cookware and bakeware and food.

If the range is placed on a base, measures have to be taken to prevent the appliance slipping from the base.

The appliances must not be installed behind a decorative door in order to avoid overheating.



- It can be used with cabinets on either side but in order to have a minimum distance of 400mm above hotplate level allow a side clearance of 65mm between the appliance and any wall, partition or tall cupboard.
- It can also be used in a free standing position. Allow a minimum distance of 750 mm above the hob surface.
- (*) If a cooker hood is to be installed above the cooker, refer to cooker hood manufacturer' instructions regarding installation height (min 650 mm).
- The appliance corresponds to device class 1, i.e. it may be placed with the rear and **one** side to kitchen walls, kitchen furniture or equipment of any size. The kitchen furniture or equipment on the **other** side may only be of the same size or smaller.
- Any kitchen furniture next to the appliance must be heat-resistant (100 °C min.).

Room ventilation

All rooms require an openable window, or equivalent, and some rooms will require a permanent vent as well. The air for combustion is taken from the room air and the exhaust gases are emitted directly into the room. Good ventilation is essential for safe operation of your appliance.

Rooms with doors and/or windows which open directly to the outer environment

The doors and/or windows that open directly to the outer environment must have a total ventilation opening of the dimensions specified in the table below which is based on the total gas power of the appliance (total gas power consumption of the appliance is shown in the technical specification table of this user manual). If the doors and/or windows do not have a total ventilation opening corresponding to the total gas consumption of the appliance as specified in the table below, then there must definitely be an additional fixed ventilation opening in the room to ensure that the total minimum ventilation requirements for the total gas consumption of the appliance is achieved. The fixed ventilation opening can include openings for existing airbricks, extraction hood ducting opening dimension etc.

Total gas consumption (kW)	min. Ventilation opening (cm ²)
0-2	100
2-3	120

3-4	175
4-6	300
6-8	400
8-10	500
10-11.5	600
11.5-13	700
13-15.5	800
15.5-17	900
17-19	1000
19-24	1250

Rooms that do not have openable doors and/or windows that open directly to the outer environment

If the room where the appliance is installed does not have a door and/or a window that opens directly to the outer environment, other products shall be sought that definitely provide a fixed nonadjustable and non-closable ventilation opening which meets the total minimum ventilation opening requirements for the total gas consumption of the appliance as indicated in the above table. Also the appropriate building regulations advise should be followed.


Where a room or internal space contains more than one gas appliance, additional ventilation area shall be provided on top of the requirement given in the table above. Size of additional ventilation area shall be appropriate to regulations of other gas appliances. There should also be a minimum clearance of 10mm on the bottom edge of the door that opens to the inner environment in the room where the appliance is installed. You must ensure that items such as carpets and other floorcoverings etc., do not affect the clearance when the door is closed.

The cooker may be located in a kitchen, kitchen/diner or a bed-sitting room, but not in a room containing a bath or a shower. The cooker must not be installed in a bed-sitting room of less than 20m³.

Do not install this appliance in a room below ground level unless it is open to ground level on at least one side.

Installation and connection

Product can only be installed and connected in accordance with the statutory installation rules.

 Do not install the product next to refrigerators or freezers. The heat emitted by the product will increase the energy consumption of cooling appliances.

- Carry the product with at least two persons.

- Product must be placed directly on the floor. It must not be placed onto a base or a pedestal.



Do not use the door and/or handle to carry or move the product. The door, handle or hinges get damaged.

Gas connection



DANGER:

Product can be connected to gas supply system only by an authorised and qualified person or technician with licence. Risk of explosion or toxication due to unprofessional repairs! Manufacturer shall not be held responsible for damages arising from procedures carried out by unauthorised or unlicensed persons.



DANGER:

Before starting any work on the gas installation, disconnect the gas supply. There is the risk of explosion!

- Gas adjustment conditions and values are stated on labels (or ion type label).

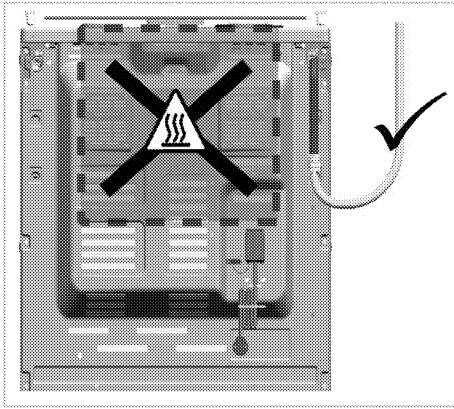


Your product is equipped for natural gas (NG).

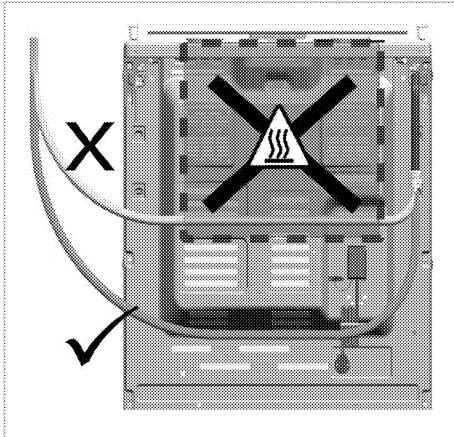
- Natural gas installation must be prepared suitably for the assembly before installing the product.
- Gas connection of your product will be performed by the authorised service.
- There must be a flex pipe at the outlet of the installation for the natural gas connection of your product and the tip of this pipe must be sealed with a blind plug. The blind plug will be removed during connection and your product will be connected by means of a flat connection device (sleeve).
- Make sure that the natural gas valve is readily accessible.
- If you need to use your product later with a different type of gas, you must consult the authorised service for the related conversion procedure.

If your product has only one gas outlet;

- Before connecting the gas hose, make sure that the gas hose outlet at the back of the product is on the same side of the product as the natural gas valve.

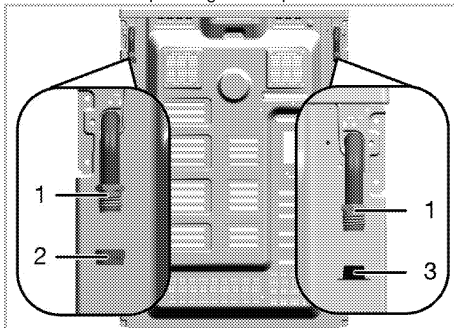


- If the gas hose outlet and the natural gas valve do not face on the same side, make sure that the hose does not pass through the hot area when connecting it.



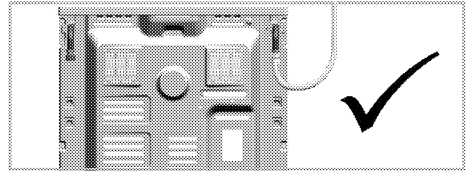
If your product has two gas outlets;

- One of the two outlets is sealed with a blind plug and the other one with a plastic plug. Locations of the blind plug and plastic plug may be different depending on the product.

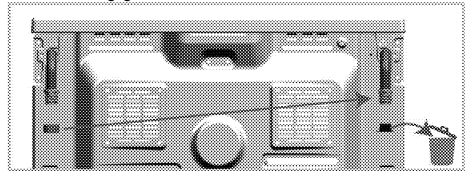


- 1 Gas hose outlet
- 2 Blind plug
- 3 Plastic plug

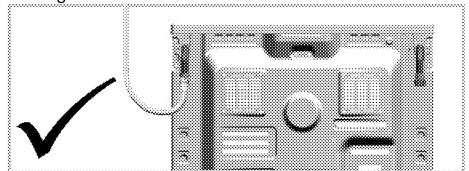
- Before gas connection, make sure that the natural gas valve and the gas hose outlet of the product to be connected to the gas is on the same side.
- If the natural gas valve and the gas hose outlet sealed with plastic plug face on the same side, make the gas connection as shown in the figure below.



- If the natural gas valve and the gas hose sealed with blind plug face on the same side, remove and dispose the plastic plug. Take out the blind plug and close the gas hose outlet where gas connection will not be made with a new (unused) sealing gasket.



- Make the gas connection as shown in the figure below on the gas hose outlet near the natural gas valve.





Risk of fire:

If you do not make the connection according to the instructions below, there will be the risk of gas leakage and fire. **Our company cannot be held responsible for damages resulting from this.**

- Gas connection must be made by the authorised service provider only.
- Gas connection of the product must definitely be made through the gas hose outlet near the natural gas valve.
- Plastic plug must be disposed, and the gas hose outlet that will not be used must be sealed with the blind plug.

- When closing the gas hose outlet that will not be used, you must definitely use a new and unused sealing gasket.

DANGER:

 The flexible gas hose must be connected in a way that it does not contact the moving parts around it and is not trapped when the moving parts are travelling.
 (e.g. drawers). Besides, it should not be placed in spaces where it might get squeezed.

DANGER:

 The gas hose must not be clamped, bent or trapped or come into contact with hot parts of the product.
 There is the risk of explosion due to damaged gas hose.

Leakage check at the connection point

- Make sure that all knobs on the product are turned off. Make sure that the gas supply is open. Prepare soapy foam and apply it onto the connection point of the hose for gas leakage control.
- Soapy part will froth if there is a gas leakage. In this case, inspect the gas connection once again.
- If your product has two gas hose outlets,** make sure that the unused gas outlet is sealed with a blind plug. Prepare soapy foam and apply it onto the connection point of the blind plug to check for gas leaks. Soapy part will froth if there is a gas leakage. In this case, inspect the blind plug connection again.
- Instead of soap, you can use commercially available sprays for gas leak check.

i Never use a match or lighter to make the gas leakage control.


- Push the product towards the kitchen wall.
- Adjusting the feet of oven**
 Vibrations during use may cause cooking vessels to move. This dangerous situation can be avoided if the product is level and balanced. For your own safety please ensure the product is level by adjusting the four feet at the bottom by turning left or right and align level with the work top.

Final check

- Open gas supply.
- Check gas installations for secure fitting and tightness.
- Ignite burners and check appearance of the flame.

i Flame must be blue and have a regular shape. If the flame is yellowish, check if the burner cap is seated securely or clean the burner.

Gas conversion

DANGER:

 Before starting any work on the gas installation, disconnect the gas supply. There is the risk of explosion!

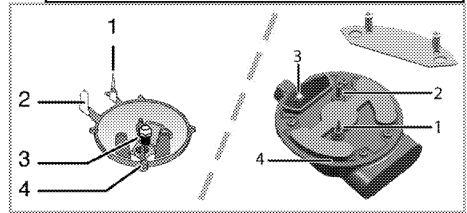
In order to change your appliance's gas type, change all injectors and make flame adjustment for all valves at reduced flow rate position.

Exchange of injector for the burners

- Take off burner cap and burner body.
- Unscrew injectors by turning the counter-clockwise.
- Fit new injectors.
- Check all connections for secure fitting and tightness.

i New injectors have their position marked on their packing or injector table on *Injector table, page 11* can be referred to.

i ((Varies depending on the product model.))
 On some hob burners, the injector is covered with a metal piece. This metal cover must be removed for injector replacement.



- Flame failure device (model dependant)
- Spark plug
- Injector
- Burner

i Unless there is an abnormal condition, do not attempt to remove the gas burner taps. You must call an Authorised service agent or technician with licence if it is necessary to change the taps.

Reduced gas flow rate setting for hob taps

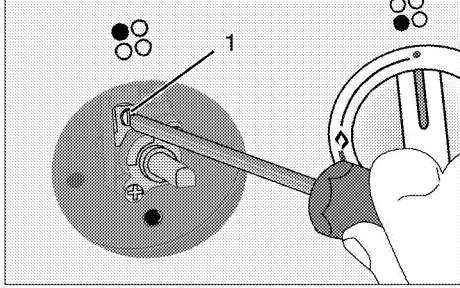
1. Ignite the burner that is to be adjusted and turn the knob to the reduced position.
2. Remove the knob from the gas tap.
3. Use an appropriately sized screwdriver to adjust the flow rate adjustment screw.

For LPG (Butane - Propane) turn the screw clockwise.
For the natural gas, you should turn the screw **counter-clockwise** once.

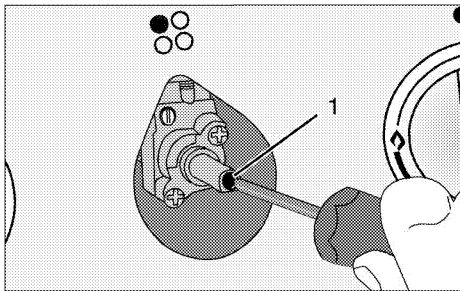
» The normal length of a straight flame in the reduced position should be 6-7 mm.

4. If the flame is higher than the desired position, turn the screw clockwise. If it is smaller turn anticlockwise.
5. For the last control, bring the burner both to high-flame and reduced positions and check whether the flame is on or off.

Depending on the type of gas tap used in your appliance the adjustment screw position may vary.



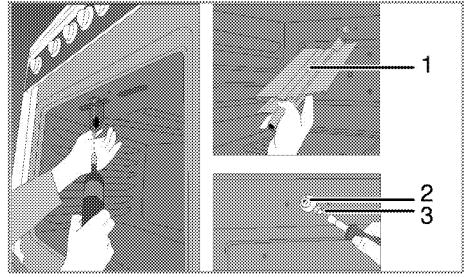
1 Flow rate adjustment screw



1 Flow rate adjustment screw

Exchange of injector for the grill

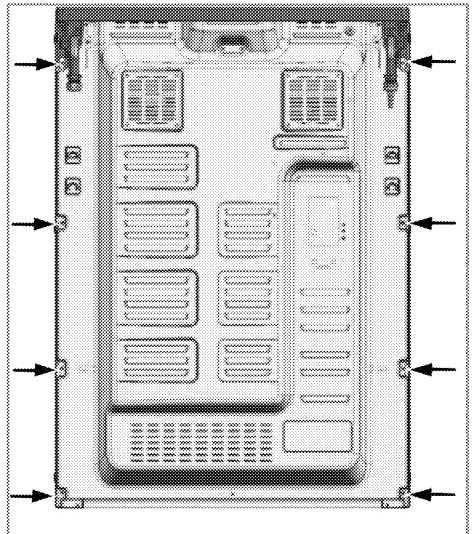
1. Open the front door.
2. Unscrew the screw of grill burner.
3. Slightly pull the grill burner (1) to lift it free with its link(s) on the rear side connected.
4. Unscrew injector by turning to counter-clockwise direction.
5. Fit new injector.



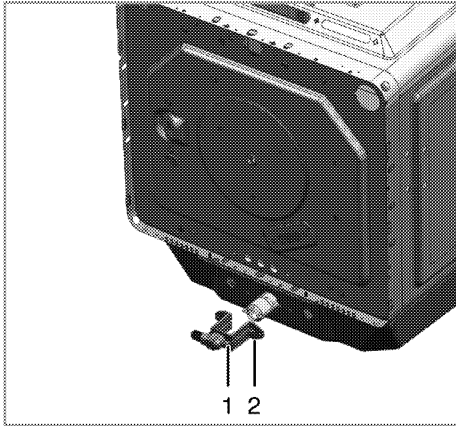
- 1 Grill burner
- 2 Injector holder
- 3 Injector

Exchange of injector for the oven

1. Unscrew fastening screws of the back wall.



2. Unscrew the 2 screws (2) of the injector holder (1).

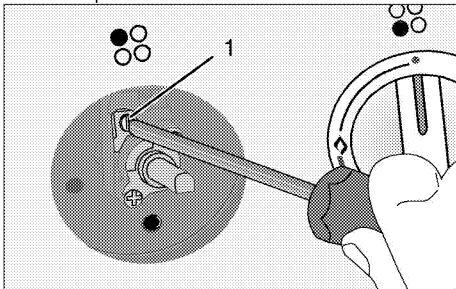


- 1 Injector holder
- 2 Screw
3. Pull out the injector holder.
4. Unscrew injector by turning to counter-clockwise direction.
5. Fit new injector.

Reduced flow adjustment for the gas oven

For the appropriate functioning of the oven re-checking the by-pass adjustment is extremely important. In order to provide maximum security to the user these operations have to be done with care.

1. Ignite the burner that is to be adjusted and turn the knob to the high flame position.
2. Close the oven door and wait for 10 to 15 minutes until the oven becomes ready for adjustment.
3. Take out the knob
4. After 15 minutes, adjust the oven to the lowest flame position.

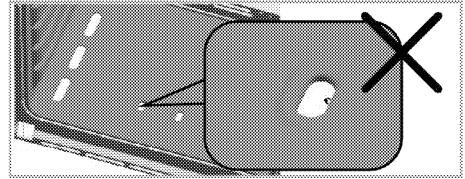


5. Set the flame length to 2 to 3 mm by means of the screw 1 on the oven tap. Turning in clockwise direction reduces the flame, turning counter-clockwise increases the flame.

i If gas flow rate of oven cannot be set with removing knob, please remove the needed oven parts (control panel, burner plate etc.) and then set the gas flow rate of oven.

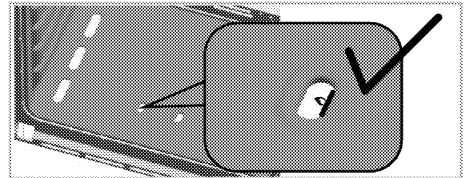
i If the temperature of the oven increases unintendedly, turn off the oven and call the authorised service agent or technician with licence to have oven thermostat repaired.

Set the flame to optimum length as shown in figure below by means of the screw 1 on the oven tap. Turning clockwise direction reduces the flame, turning counter-clockwise increases the flame.

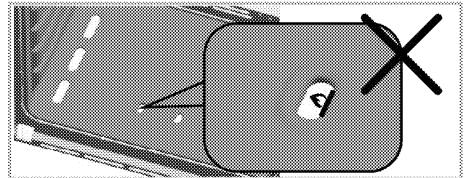


If the flame is too small,

* oven temperature can be too low, thus cooking performance can be affected adversely.



Ideal flame length provides the best performance.

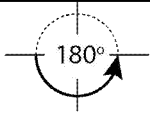


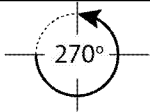
If the flame is too big,

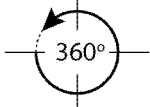
* oven temperature can be too high, thus cooking performance can be affected adversely.


i After making gas flame adjustment open and close the door repeatedly and make sure that oven flame does not go out.

i If the gas type of the unit is changed, then the rating plate that shows the gas type of the unit must also be changed.

Natural gas to Butane/propane (LPG)	Butane/propane (LPG) to Natural Gas (G20 20mbar/ G25 25 mbar / G25.3 25mbar)
Tighten the screw by turning it clockwise until the end.	Loosen the screw 180° (approximately)
	


Natural gas to Butane/propane (LPG)	Butane/propane (LPG) to Natural Gas (G20 10mbar/ G20 13 mbar)
Tighten the screw by turning it clockwise until the end.	Loosen the screw 270° (approximately)
	

Natural gas to Butane/propane (LPG)	Butane/propane (LPG) to Natural Gas (G2 350 13mbar Poland local gas)
Tighten the screw by turning it clockwise until the end.	Loosen the screw 360° (approximately)
	

	Reduced flow adjustment can vary depending on the product, burner and gas type. Make sure flame length is in accordance with the figure above.
--	--

Future Transportation

- Keep the product's original carton and transport the product in it. Follow the instructions on the carton. If you do not have the original carton, pack the product in bubble wrap or thick cardboard and tape it securely.
- To prevent the wire grill and tray inside the oven from damaging the oven door, place a strip of cardboard onto the inside of the oven door that lines up with the position of the trays. Tape the oven door to the side walls.
- Secure the caps and pan supports with adhesive tape.
- Do not use the door or handle to lift or move the product.

	Do not place any objects onto the product and move it in upright position.
---	--

	Check the general appearance of your product for any damages that might have occurred during transportation.
---	--

4 Preparation

Tips for saving energy

The following information will help you to use your appliance in an ecological way, and to save energy:

- Use dark coloured or enamel coated cookware in the oven since the heat transmission will be better.
- While cooking your dishes, perform a preheating operation if it is advised in the user manual or cooking instructions.
- Do not open the door of the oven frequently during cooking.
- Try to cook more than one dish in the oven at the same time whenever possible. You can cook by placing two cooking vessels onto the wire shelf.
- Cook more than one dish one after another. The oven will already be hot.
- Defrost frozen dishes before cooking them.
- Use pots/pans with cover for cooking. If there is no cover, energy consumption may increase 4 times.

- Select the burner which is suitable for the bottom size of the pot to be used. Always select the correct pot size for your dishes. Larger pots require more energy.

Initial use

First cleaning of the appliance



The surface might get damaged by some detergents or cleaning materials.

Do not use aggressive detergents, cleaning powders/creams or any sharp objects during cleaning.

Do not use harsh abrasive cleaners or sharp metal scrapers to clean the oven door glass since they can scratch the surface, which may result in shattering of the glass.

1. Remove all packaging materials.
2. Wipe the surfaces of the appliance with a damp cloth or sponge and dry with a cloth.

5 How to use the hob

General information about cooking



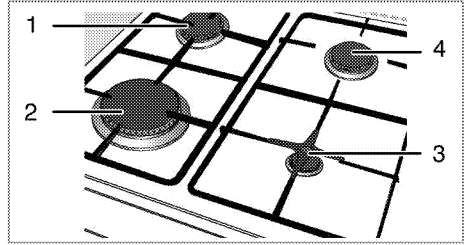
Never fill the pan with oil more than one third of it. Do not leave the hob unattended when heating oil. Overheated oils bring risk of fire. **Never attempt to extinguish a possible fire with water!** When oil catches fire, cover it with a fire blanket or damp cloth. Turn off the hob if it is safe to do so and call the fire department.

- Before frying foods, always dry them well and gently place into the hot oil. Ensure complete thawing of frozen foods before frying.
- Do not cover the vessel you use when heating oil.
- Place the pans and saucepans in a manner so that their handles are not over the hob to prevent heating of the handles. Do not place unbalanced and easily tilting vessels on the hob.
- Do not place empty vessels and saucepans on cooking zones that are switched on. They might get damaged.
- Operating a cooking zone without a vessel or saucepan on it will cause damage to the product. Turn off the cooking zones after the cooking is complete.
- As the surface of the product can be hot, do not put plastic and aluminum vessels on it. Such vessels should not be used to keep foods either.
- Use flat bottomed saucepans or vessels only.
- Put appropriate amount of food in saucepans and pans. Thus, you will not have to make any unnecessary cleaning by preventing the dishes from overflowing. Do not put covers of saucepans or pans on cooking zones. Place the saucepans in a manner so that they are centered on the cooking zone. When you want to move the saucepan onto another cooking zone, lift and place it onto the cooking zone you want instead of sliding it.

Gas cooking

- Size of the vessel and the flame must match each other. Adjust the gas flames so that they will not extend the bottom of the vessel and center the vessel on saucepan carrier.

Using the hobs



- 1 Normal burner 18-20 cm
- 2 Rapid burner 22-24 cm
- 3 Auxiliary burner 12-18 cm
- 4 Normal burner 18-20 cm is list of advised diameter of pots to be used on related burners.



WARNING

Do not use cooking pans beyond the dimension limits given above. Using larger pans causes risk of carbon monoxide poisoning, overheating of adjacent surfaces and control knobs. Using smaller pans causes your risk of being burned by the flame.

Large flame symbol indicates the highest cooking power and small flame symbol indicates the lowest cooking power. In turned off position (top), gas is not supplied to the burners.

Igniting the gas burners

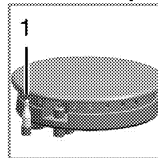
Burner is not equipped with automatic ignition. Use a lighter or match.

1. Keep burner knob pressed.
2. Turn it counter clockwise to large flame symbol.
3. Ignite the hob with lighter.
4. Adjust it to the desired cooking power.

Turning off the gas burners

Turn the knob to off (upper) position.

Gas shut off safety system (in models with thermic component)



1. Gas shut off safety

As a counter measure against blow out due to fluid overflows at burners, safety mechanism trips and shuts off the gas.

- Push the knob inwards and turn it counter clockwise to ignite.
- After the gas ignites, keep the knob pressed for 3-5 seconds more to engage the safety system.

- If the gas does not ignite after you press and release the knob, repeat the same procedure by keeping the knob pressed for 15 seconds.



DANGER:

Release the button if the burner is not ignited within 15 seconds.

Wait at least 1 minute before trying again.

There is the risk of gas accumulation and explosion!

6 How to operate the oven

General information on baking, roasting and grilling



WARNING

Hot surfaces cause burns!
Product may be hot when it is in use. Never touch the hot burners, inner sections of the oven, heaters and etc. Keep children away. Always use heat resistant oven gloves when putting in or removing dishes into/from the hot oven.



DANGER:

Be careful when opening the oven door as steam may escape.
Exiting steam can scald your hands, face and/or eyes.

Tips for baking

- Use non-sticky coated appropriate metal plates or aluminum vessels or heat-resistant silicone moulds.
- Make best use of the space on the rack.
- Place the baking mould in the middle of the shelf.
- Select the correct rack position before turning the oven or grill on. Do not change the rack position when the oven is hot.
- Keep the oven door closed.

Tips for roasting

- Treating whole chicken, turkey and large piece of meat with dressings such as lemon juice and black pepper before cooking will increase the cooking performance.
- It takes about 15 to 30 minutes longer to roast meat with bones when compared to roasting the same size of meat without bones.
- Each centimeter of meat thickness requires approximately 4 to 5 minutes of cooking time.
- Let meat rest in the oven for about 10 minutes after the cooking time is over. The juice is better distributed all over the roast and does not run out when the meat is cut.
- Fish should be placed on the middle or lower rack in a heat-resistant plate.

Tips for grilling

When meat, fish and poultry are grilled, they quickly get brown, have a nice crust and do not get dry. Flat pieces, meat skewers and sausages are particularly suited for grilling as are vegetables with high water content such as tomatoes and onions.

- Distribute the pieces to be grilled on the wire shelf or in the baking tray with wire shelf in such a way that the space covered does not exceed the size of the heater.
- Slide the wire shelf or baking tray with grill into the desired level in the oven. If you are grilling on the wire shelf, slide the baking tray to the lower rack to collect fats. Add some water in the tray for easy cleaning.



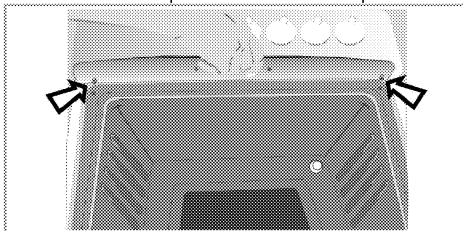
Foods that are not suitable for grilling carry the risk of fire. Only grill food which is suitable for intensive grilling heat.

Do not place the food too far in the back of the grill. This is the hottest area and fatty food may catch fire.

Install knob protection sheet.

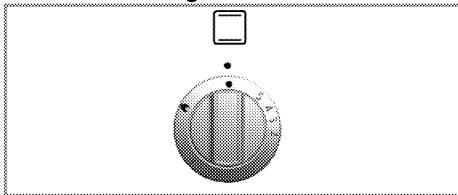
Knob protection sheet is used for grilling with the oven door open. Protects the control panel and buttons against heat and soiling.

1. Open the oven door and place the knob protection sheet onto the pins under the control panel.



» When knob protection sheet is installed, oven door remains open.

How to use the gas oven



The gas oven is operated by the gas oven control knob. In off position (top) the gas supply is Off.

Switch on the gas oven

The gas oven is ignited with a gas lighter.

1. Open oven door.

2. Keep gas oven control knob pressed and turn it **counterclockwise**.
 3. Ignite the gas with the gas lighter from the ignition control hole.
 4. Keep the burner control pressed for 3 to 5 seconds.
- » Be sure that gas has ignited and flame is present.
5. Keep the burner control pressed for another 3 to 5 seconds.
 6. Select the desired baking power/ gas mark.



DANGER:

There is the risk of gas compression and explosion!

Do not attempt to ignite the gas more than 15 seconds. If the burner is not ignited within 15 seconds, turn off the knob and wait for 1 minute. Ventilate the room before reattempting to ignite the burner. There is the risk of gas compression and explosion!

Switch off the gas oven

1. Turn gas oven control knob to off position (top).
- Gas level temperature chart

Gas level	1	2	3	4	5
Temperature in °C	170	180	200	230	280

Cooking times table



1st rack of the oven is the **bottom** rack.



The timings in this chart are meant as a guide. Timings may vary due to temperature of food, thickness, type and your own preference of cooking.



Maximum load capacity of oven tray: 4 kg (8.8 lb).

Stand dishes on a baking sheet to prevent spillages onto oven base and help keep oven clean.

Baking and roasting

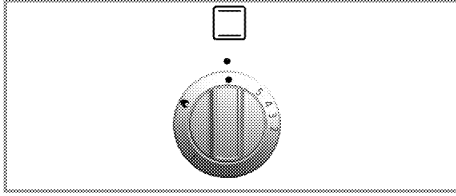
Food	Accessory to use	Preheating *	Insertion level	Control knob position	Cooking time
Apple pie	Round black metal dish with a diameter of 20 cm on wire grill***	10 min.	3	1	60...70 min.
Fruit tart	Round black metal dish with a diameter of 20 cm on wire grill***	10 min.	3	1	60...70 min.
Pie	Round black metal dish with a diameter of 20 cm on wire grill***	10 min.	3	1	60...70 min.
Cookies	Standard tray**	10 min.	4	1...2	30...40 min.
Pastry	Standard tray**	10 min.	3...4	1...2	40...50 min.
Cake	Cake mold on wire grill***	10 min.	3	1...2	60...70 min.
Biscuits	Standard tray**	10 min.	4	1...2	30...40 min.
Roast lamb	Standard tray**	10 min.	4...5	3	35...45 min.per 450 g + 30 min.
Roast Beef	Standard tray**	10 min.	3...4	3	100...130 min.per 450 g + 30 min.
Turkey	Standard tray**	10 min.	3	3	100...130 min.per 450 g + 30 min.
Poultry	Standard tray**	10 min.	3	1...2	100...130 min.per 450 g + 25 min.
Casseroles	Standard tray**	10 min.	4	1...2	90...120 min.*
Fish	Standard tray**	10 min.	3	1...2	45...55 min.
Macaroni	Standard tray**	10 min.	4	1...2	50...55 min.
Victoria sandwich	Standard tray**	10 min.	3	1	30...35 min.

* at control knob position 5 / * depending on quantity / * depending on size

** These accessories may not be supplied with the product.

*** These accessories are not supplied with the product. They are commercially available accessories.

How to operate the gas grill



Grill is operated with Grill control knob. In turned off position (top), gas is not supplied. Oven door must remain open while grilling.



WARNING

Hot surfaces may cause burns! Keep children away from the product.
Oven door remains slightly inclined when opened full and thus, possible splashes to not reach you.

Switching on the grill

Gas grill is ignited with a lighter or match.

1. Open the oven door.
2. Keep the knob pressed and turn it **clockwise** to the Grill symbol.
3. Ignite the gas directly by bringing a lighter or match close to the grill burner.
4. Keep the knob pressed for 3 to 5 seconds more.



DANGER:

There is the risk of gas compression and explosion!
Do not attempt to ignite the gas more than 15 seconds. If the burner is not ignited within 15 seconds, turn off the knob and wait for 1 minute. Ventilate the room before reattempting to ignite the burner. There is the risk of gas compression and explosion!

Switching off the grill

1. Turn the Grill control knob to Off (upper) position.



Foods that are not suitable for grilling carry the risk of fire. Only grill food which is suitable for intensive grilling heat.
Do not place the food too far in the back of the grill. This is the hottest area and fatty food may catch fire.

Cooking times table



The timings in this chart are meant as a guide. Timings may vary due to temperature of food, thickness, type and your own preference of cooking.



1st rack of the oven is the **bottom** rack.

Grilling with gas grill

Food	Preparation/setting	Grilling time [#]
Toasting of bread products	3...10 min.
Small cuts of meat, sausages, bacon, etc.	15...20 min.
Chops, gammon steaks, chicken pieces, etc.	Chicken with wire rack in upturned position.	20...25 min.
Whole fish, fish fillets, fish fingers	Whole fish and fish fillets placed in the base of the grill pan.	10...20 min.
Fish in breadcrumbs	15...20 min.
Pre-cooked potato products	15...20 min.
Pizza	Placed in the base of the grill pan.	12...15 min.
Grilling/browning of food	Dish placed directly on the base of the grill compartment.	8...10 min.

[#] depending on size resp. thickness

7 Maintenance and care

General information

Service life of the product will extend and the possibility of problems will decrease if the product is cleaned at regular intervals.



DANGER:

Disconnect the product from mains supply before starting maintenance and cleaning works.
There is the risk of electric shock!



DANGER:

Allow the product to cool down before you clean it.
Hot surfaces may cause burns!

- Clean the product thoroughly after each use. In this way it will be possible to remove cooking residues more easily, thus avoiding these from burning the next time the appliance is used.
- No special cleaning agents are required for cleaning the product. Use warm water with washing liquid, a soft cloth or sponge to clean the product and wipe it with a dry cloth.
- Always ensure any excess liquid is thoroughly wiped off after cleaning and any spillage is immediately wiped dry.
- Do not use cleaning agents that contain acid or chloride to clean the stainless or inox surfaces and the handle. Use a soft cloth with a liquid detergent (not abrasive) to wipe those parts clean, paying attention to sweep in one direction.
- **(This feature is optional. It may not exist on your product.)**

Do not use solid metal scrapers or abrasive cleaning materials to clean the glass cover. Glass surface can get damaged.



The surface might get damaged by some detergents or cleaning materials.
Do not use aggressive detergents, cleaning powders/creams or any sharp objects during cleaning.

Do not use harsh abrasive cleaners or sharp metal scrapers to clean the oven door glass since they can scratch the surface, which may result in shattering of the glass.



Do not use steam cleaners to clean the appliance as this may cause an electric shock.

Cleaning the hob

Cleaning the burner

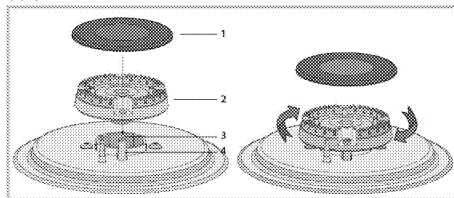
1. Remove the saucepan carriers from the hob.
2. Remove all removable parts of the burner and clean only by hand with sponge, some detergent and hot water.
3. Clean the non-removable parts of the burner with a wet cloth.
4. Clean the plug and thermal element (in models with ignition and thermal element) with a slightly moist cloth. Afterwards, dry with a clean cloth. Make sure that flame holes and plug are totally dry.

Otherwise, no spark occurs at the end of ignition.

5. When placing the pan supports, pay attention to place the pan supports so that the burners are centered.

Assembling the burner parts

After cleaning the burner, place the parts as shown below.



- 1 Burner cap
- 2 Burner head
- 3 Burner chamber
- 4 Spark plug (in products with igniter)

1. Place the burner head ensuring that it passes through the burner spark plug (4). Turn the burner head right and left to make sure that it is seated in the burner chamber.
2. Place the burner cap on the burner head.

Cleaning the control panel

Clean the control panel and knobs with a damp cloth and wipe them dry.



If your product is equipped with buttons/knobs do not remove the control buttons/knobs to clean the control panel.

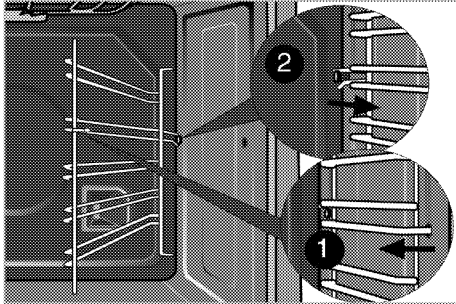
Control panel may get damaged!

Cleaning the oven

To clean the side wall (Varies depending on the product model.)

(This feature is optional. It may not exist on your product.)

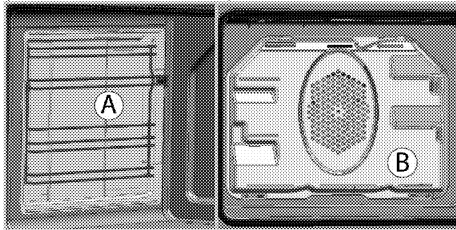
1. Remove the front section of the side rack by pulling it in the opposite direction of the side wall.
2. Remove the side rack completely by pulling it towards you.



Catalytic walls

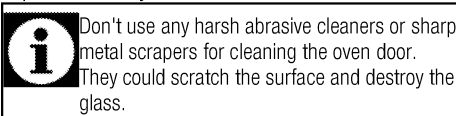
(This feature is optional. It may not exist on your product.)

The inner side walls (A) and/or the rear wall (B) of your product may be coated with catalytic enamel. Catalytic walls have a light matte colour and a porous surface. Catalytic walls of the oven should not be cleaned. Porous surfaces of the catalytic walls are automatically cleaned by absorbing and converting the spilled oil (steam and carbon dioxide).



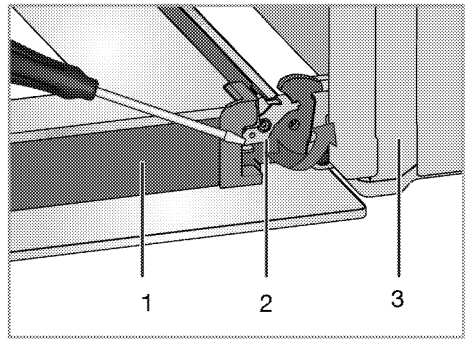
Clean oven door

To clean the oven door, use warm water with washing liquid, a soft cloth or sponge to clean the product and wipe it with a dry cloth.

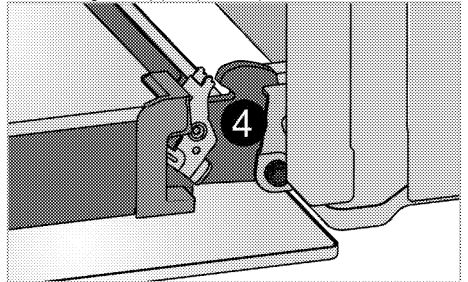


Removing the oven door

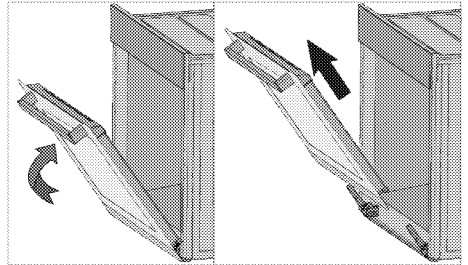
1. Open the front door (1).
2. Open the clips at the hinge housing (2) on the right and left hand sides of the front door by pressing them down as illustrated in the figure.



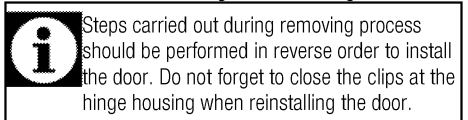
- 1 Door
- 2 Hinge lock(closed position)
- 3 Oven
- 4 Hinge lock(open position)



3. Move the front door to half-way.



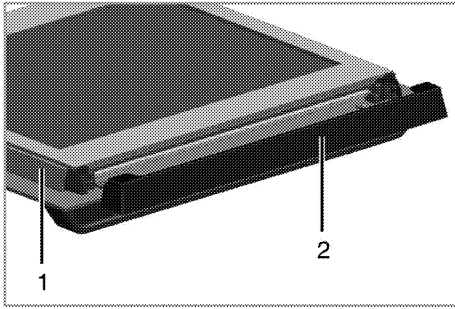
4. Remove the front door by pulling it upwards to release it from the right and left hinges.



Removing the door inner glass

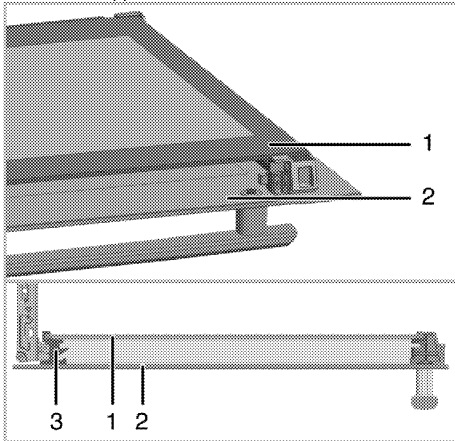
(This feature is optional. It may not exist on your product.)

The inner glass panel of the oven door can be removed for cleaning.
Open the oven door.



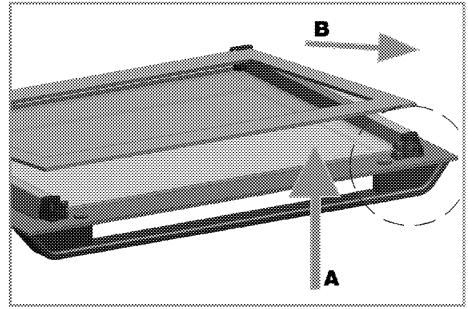
- 1 Frame
- 2 Plastic part

Pull towards yourself and remove the plastic part installed to upper section of the front door.



- 1 Inner glass panel
- 2 Outer glass panel
- 3 Plastic glass panel slot-Lower

As illustrated in figure, raise the innermost glass panel (1) slightly in direction **A** and pull it out in direction **B**.



When installing the inner glass panel (1), make sure that the printed side of the panel faces towards the inner.

It is important to seat lower corner of inner glass panel into the lower plastic slot.

Push the plastic part towards the frame until you hear a "click".

8 Troubleshooting

Oven emits steam when it is in use.

- It is normal that steam escapes during operation. >>> *This is not a fault.*

Product emits metal noises while heating and cooling.

- When the metal parts are heated, they may expand and cause noise. >>> *This is not a fault.*

There is no ignition spark.

- No current. >>> *Check fuses in the fuse box.*

There is no gas.

- Main gas valve is closed. >>> *Open gas valve.*
- Gas pipe is bent. >>> *Install gas pipe properly.*

Burners are not burning properly or at all.

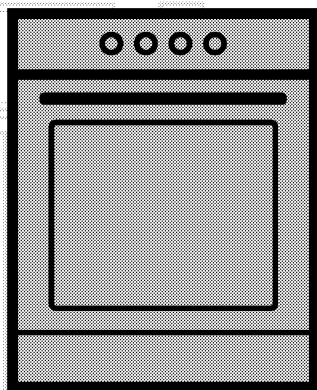
- Burners are dirty. >>> *Clean burner components.*
- Burners are wet. >>> *Dry the burner components.*
- Burner cap is not mounted safely. >>> *Mount the burner cap properly.*
- Gas valve is closed. >>> *Open gas valve.*
- Gas cylinder is empty (when using LPG). >>> *Replace gas cylinder.*



Consult the Authorised Service Agent or technician with licence or the dealer where you have purchased the product if you can not remedy the trouble although you have implemented the instructions in this section. Never attempt to repair a defective product yourself.

Forno

Manuale utente



IT

beko

Leggere questo manuale utente come prima cosa!

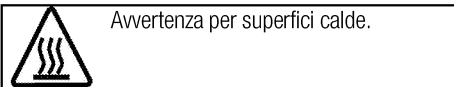
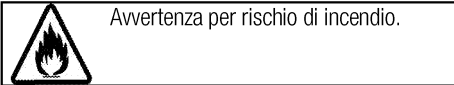
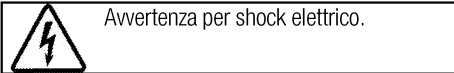
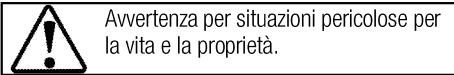
Gentile cliente,

Grazie per aver scelto un apparecchio Beko. Vi auguriamo di ottenere i migliori risultati da questo apparecchio, realizzato con tecnologia di alta qualità e di avanguardia. Pertanto, di leggere questo manuale utente e tutta la documentazione allegata con attenzione prima di usare l'apparecchio e di conservarli per riferimento futuro. Se l'apparecchio viene trasferito ad un'altra persona, bisogna consegnare anche il manuale. Seguire tutte le avvertenze e le informazioni del manuale utente.

Ricordare che questo manuale utente può essere applicabile anche a vari altri modelli. Le differenze tra i modelli sono identificate nel manuale.

Spiegazione dei simboli

In questo manuale utente si usano i simboli che seguono:



Arçelik A.Ş.
Karaağaç caddesi No:2-6
34445 Sülüce/Istanbul/TURKEY
Made in TURKEY

1 Istruzioni importanti e avvertenze per sicurezza e ambiente 4

Sicurezza generale..... 4
 Sicurezza quando si lavora con il gas 5
 Sicurezza del prodotto..... 6
 Uso previsto 8
 Sicurezza dei bambini 9
 Smaltimento di vecchi prodotti..... 9
 Smaltimento del materiale di imballaggio..... 9

2 Informazioni generali 10

Panoramica..... 10
 Contenuto della confezione..... 11
 Specifiche tecniche..... 12
 Tabella iniettori..... 12

3 Installazione 13

Prima della installazione..... 13
 Installazione e collegamento..... 14
 Conversione del gas..... 16
 Smaltimento di vecchi prodotti..... 19

4 Preparazioni 20

Consigli per il risparmio energetico 20
 Uso iniziale..... 20
 Prima pulizia del prodotto 20

5 Come utilizzare il piano cottura 21

Informazioni generali sulla cottura 21
 Uso del piano cottura..... 21

6 Come utilizzare il forno 23

Informazioni generali su cottura al forno, cottura arrosto e con grill..... 23
 Come utilizzare il forno a gas 23
 Tabella tempi di cottura 24
 Come utilizzare il grill a gas..... 25
 Tabella tempi di cottura 25

7 Manutenzione e cura 26

Informazioni generali 26
 Pulizia del piano cottura..... 26
 Pulizia del pannello di controllo 26
 Pulizia del forno 27
 Rimozione dello sportello del forno. 27
 Rimozione del vetro interno dello sportello 28

8 Ricerca e risoluzione dei problemi 29

1 Istruzioni importanti e avvertenze per sicurezza e ambiente

Questa sezione contiene istruzioni per la sicurezza che aiutano a proteggere dal rischio di lesioni personali o danni alla proprietà. La mancata osservanza di queste istruzioni priva la garanzia di validità.

Sicurezza generale

- Questo apparecchio può essere utilizzato da bambini con età superiore agli 8 anni e da persone con capacità fisiche, sensoriali o mentali ridotte, o che manchino di esperienza e conoscenza, purché ricevano la supervisione e le istruzioni sull'uso dell'apparecchio in modo sicuro e comprendano i rischi coinvolti. I bambini non devono giocare con l'apparecchio. Pulizia e manutenzione da parte dell'utente non devono essere eseguite da bambini senza supervisione.
- Questo apparecchio non deve essere utilizzato da persone (compresi i bambini) con capacità fisiche, sensoriali o mentali ridotte, oppure prive di esperienza e conoscenza, a meno che non ricevano supervisione o istruzioni al riguardo. I bambini devono essere vigilati affinché non giochino con il dispositivo.
- Se il prodotto viene ceduto a qualcun altro per l'uso personale o per scopi d'uso di seconda mano, fornire anche il manuale utente, le etichette del prodotto e gli altri documenti e parti.
- Non posizionare mai l'apparecchio su un pavimento coperto da tappeto. Altrimenti la mancanza di flusso di aria al di sotto dell'apparecchio provoca il surriscaldamento delle parti elettriche. Questo provocherà problemi all'apparecchio.
- Le procedure di installazione e riparazione devono essere sempre eseguite da agenti autorizzati per l'assistenza. Il produttore non sarà considerato responsabile dei danni derivanti da procedure eseguite da persone non autorizzate e potrebbe considerare non valida la garanzia. Prima dell'installazione, leggere le istruzioni con attenzione.
- Non utilizzare il prodotto se è difettoso o se presenta danni visibili.
- Controllare che le manopole delle funzioni dell'apparecchio siano disattivate dopo ogni uso.

Sicurezza quando si lavora con il gas

- Tutti gli interventi su apparecchi e sistemi a gas possono essere eseguiti solo da personale qualificato autorizzato.
- Prima dell'installazione, assicurarsi che le condizioni della distribuzione locale (tipo di gas e pressione del gas) e le regolazioni dell'apparecchio siano compatibili.
- Questo apparecchio non è collegato ad un dispositivo di evacuazione per prodotti a combustione. Deve essere installato e collegato secondo i regolamenti correnti per l'installazione. Bisogna prestare particolare attenzione ai requisiti pertinenti relativi alla ventilazione; *Vedere Prima della installazione, pagina 13*
- **ATTENZIONE:** L'uso di cucine a gas provoca produzione di calore e umidità e prodotti di combustione nell'ambiente in cui sono installate. Assicurare che la cucina sia ben ventilata soprattutto quando l'apparecchio è in uso: mantenere le naturali aperture di ventilazione aperte o installare un dispositivo meccanico di ventilazione (cappa meccanica). L'uso intenso prolungato dell'apparecchio può richiedere una ventilazione aggiuntiva, per esempio aumentare il livello di ventilazione meccanica dove è presente.
- Gli apparecchi e i sistemi a gas devono essere controllati regolarmente per un funzionamento corretto. Regolatore, flessibile e relativo morsetto devono essere controllati regolarmente e sostituiti secondo i periodi consigliati dai produttori o quando necessario.
- Pulire regolarmente i bruciatori a gas. Le fiamme devono essere blu e bruciare in modo uniforme.
- Questo prodotto dovrebbe essere usato in un ambiente che include un rilevatore di monossido di carbonio regolato e funzionante. Assicurati che il rilevatore di monossido di carbonio funzioni adeguatamente e che la sua manutenzione sia effettuata frequentemente. Il rilevatore di monossido di carbonio deve essere installato a 2 metri al massimo dal prodotto.
- Una buona combustione è necessaria negli apparecchi a gas. In caso di combustione non completa, può svilupparsi monossido di carbonio (CO). Il monossido di carbonio non ha colore, odore ed è un gas molto

tossico che ha effetti letali anche a piccole dosi.

- Richiedere informazioni sui numeri di telefono di emergenza per il gas e sulle misure di sicurezza in caso di odore di gas al proprio fornitore locale di gas.

Cosa fare quando si sente odore di gas

- Non usare fiamme libere o non fumare. Non azionare i tasti elettrici (per es. luci, campanello di ingresso, ecc.). Non usare un telefono o un cellulare. Rischio di esplosione e intossicazione!
- Aprire porte e finestre.
- Chiudere tutte le valvole sugli apparecchi e sui contatori del gas.
- Controllare tutti i tubi e i collegamenti per verificarne la tenuta. Se si sente ancora odore di gas, lasciare l'appartamento.
- Avvisare i vicini.
- Chiamare i pompieri. Usare un telefono fuori dalla casa.
- Non entrare di nuovo finché non si riceve comunicazione sulla sicurezza.

Sicurezza del prodotto

- **AVVERTENZA:** Questo apparecchio e le parti accessibili diventano caldi durante l'uso. Bisogna prestare attenzione a evitare di toccare gli elementi che si riscaldano. I bambini di età inferiore agli 8 anni devono

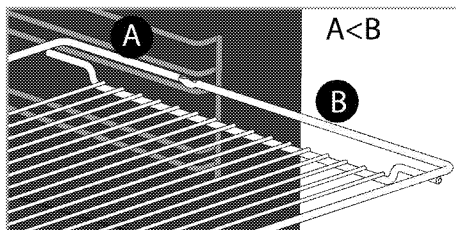
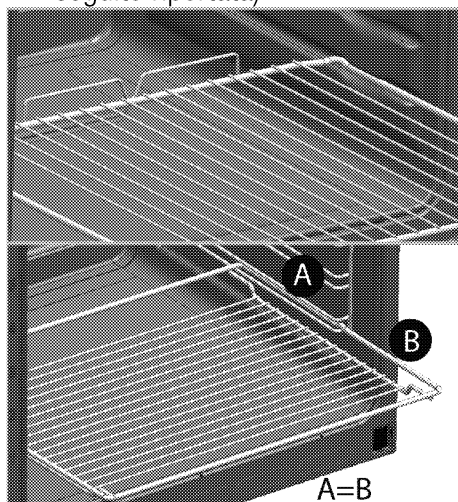
essere tenuti lontani a meno che non ricevano continua supervisione.

- Non usare mai il prodotto quando giudizio e coordinazione sono danneggiati dall'uso di alcool e/o droghe.
- Prestare attenzione quando si usano bevande alcoliche nei piatti. L'alcool evapora ad alte temperature e può provocare incendi poiché prende fuoco a contatto con superfici calde.
- Non mettere materiali infiammabili vicini al prodotto poiché i lati possono diventare caldi durante l'uso.
- Durante l'uso l'apparecchio diventa caldo. Bisogna prestare attenzione a evitare di toccare gli elementi che si riscaldano all'interno del forno.
- Tenere tutte le aperture di ventilazione libere da ostruzioni.
- Non riscaldare lattine chiuse e barattoli di vetro nel forno. La pressione che si può creare in contenitore/barattolo può farli esplodere.
- Non mettere vassoi per la cottura al forno o fogli di alluminio direttamente sul fondo del forno. L'accumulo di calore può danneggiare il fondo del forno.
- Non usare agenti pulenti abrasivi o raschietti duri in metallo per

pulire il vetro dello sportello del forno poiché potrebbero graffiare la superficie rovinando il vetro.

- Non usare pulitori a vapore per pulire l'apparecchio poiché ciò potrebbe provocare uno shock elettrico.
- (Varia a seconda del modello dell'apparecchio.)
Inserimento corretto della griglia e delle teglie

E' importante inserire la griglia e/o la teglia nelle rastrelliere laterali in maniera corretta. Far scivolare la griglia e/o la teglia sulle rastrelliere laterali verificandone la stabilità prima di posizionare le pietanze al di sopra (vedi immagine esplicativa di seguito riportata)



- Non usare il prodotto con il vetro dello sportello anteriore rimosso o lesionato.
- La maniglia del forno non serve per asciugare gli strofinacci. Non appendervi strofinacci, guanti o altri oggetti in tessuto quando la funzione grill è in corso con lo sportello aperto.
- Usare sempre guanti resistenti al calore quando si mettono o si rimuovono i piatti nel/dal forno caldo.
- Mettere la carta da forno nella pentola o nell'accessorio da forno (vassoio, grill, ecc.) assieme agli alimenti e poi inserire tutto nel forno pre-riscaldato. Togliere le parti in eccesso della carta da forno che fuoriescono dall'accessorio o dalla pentola per evitare il rischio che tocchino gli elementi di riscaldamento del forno. Non utilizzare mai la carta da forno a una temperatura operativa superiore al valore indicato per la carta da forno. Non mettere la carta da forno direttamente sulla base del forno.

- Non chiudere il coperchio superiore prima che le piastre calde o i bruciatori si siano raffreddati.
Asciugare il coperchio prima di aprirlo per evitare perdite di acqua nelle sezioni posteriore e interna del forno.
- Il dispositivo non deve essere installato dietro a porte decorative, così da evitarne il surriscaldamento.
- L'unità deve essere posta direttamente sul pavimento. Non deve essere posizionata su una base o un piedistallo.
- **AVVERTENZA:** La cottura senza supervisione su un piano cottura usando grassi o olio può essere pericolosa e provocare incendi. Non cercare MAI di estinguere il fuoco con acqua, ma spegnere l'apparecchio e poi coprire la fiamma, per es. con un coperchio o una coperta ignifuga.
- **ATTENZIONE:** Il processo di cottura necessita di supervisione. Una cottura di breve durata deve essere vigilata continuamente.
- **AVVERTENZA:** Pericolo di incendio: Non conservare oggetti sulle superfici di cottura.

Per l'affidabilità antincendio dell'apparecchio:

- Assicurarsi che la spina si adatti bene alla presa e che non provochi scintille.
- Non utilizzare cavi danneggiati, tagliati o prolunghe: utilizzare solo il cavo originale.
- Assicurarsi che non vi sia liquido o umidità sulla presa quando viene collegata all'apparecchio.
- Assicurarsi che il collegamento del gas sia installato e che non vi siano perdite di gas.

Uso previsto

- Questo prodotto è progettato per uso domestico. L'uso commerciale non è ammesso.
- **ATTENZIONE:** Questo apparecchio serve solo per cucinare. Non deve essere usato per altri scopi, per esempio riscaldare l'ambiente
- Questo prodotto non deve essere usato per riscaldare piatti sotto al grill, asciugare asciugamani, panni per piatti, ecc. appesi sulle maniglie, né per riscaldare.
- Il produttore non sarà responsabile per danni provocati da uso o gestione non corretti.
- Il forno può essere usato per scongelare, cuocere al forno, arrostitire e cuocere con il grill gli alimenti.

Sicurezza dei bambini

- **AVVERTENZA:** Le parti accessibili possono diventare calde durante l'uso. I bambini devono essere tenuti lontani.
- I materiali di imballaggio sono pericolosi per i bambini. Tenere i bambini lontani dai materiali di imballaggio. Smaltire tutte le parti dell'imballaggio secondo gli standard ambientali.
- Gli apparecchi elettrici e/o a gas sono pericolosi per i bambini. Tenere i bambini lontano dall'apparecchio mentre è in uso e non lasciarli giocare con lo stesso.
- È disponibile una protezione aggiuntiva per evitare il contatto con lo sportello del forno. Questa parte deve essere montata quando vi è la presenza probabile di bambini.

- Non mettere sopra all'apparecchio alcun oggetto che possa essere raggiunto dai bambini.
- Quando lo sportello è aperto, non caricare sopra oggetti pesanti e non lasciare che i bambini vi si siedano sopra. Lo sportello potrebbe capovolgersi o i cardini dello stesso potrebbero danneggiarsi.

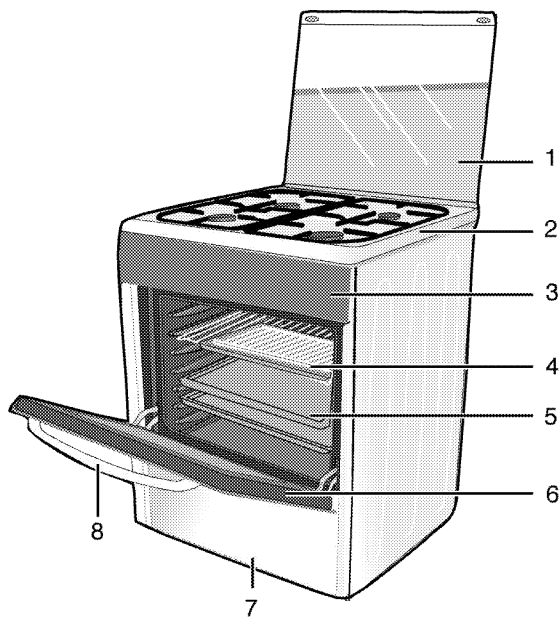
Smaltimento di vecchi prodotti

Smaltimento del materiale di imballaggio

- I materiali di imballaggio sono pericolosi per i bambini. Tenere i materiali di imballaggio in un luogo sicuro, fuori dalla portata dei bambini. I materiali di imballaggio del prodotto sono realizzati con materiali riciclabili. Smaltirli in modo corretto e dividerli secondo le istruzioni per i rifiuti riciclabili. Non smaltirli con i normali rifiuti domestici.

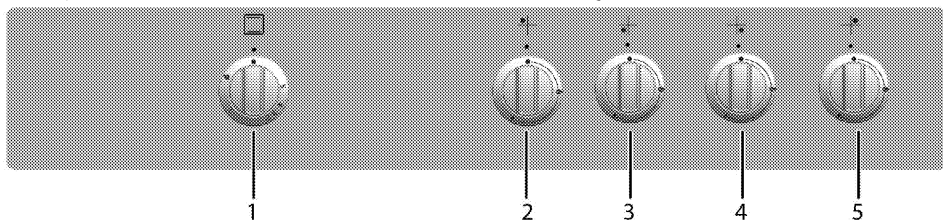
2 Informazioni generali

Panoramica



- 1 Coperchio superiore
- 2 Piastra bruciatore
- 3 Pannello di controllo
- 4 Ripiano metallico

- 5 Vassoio
- 6 Sportello anteriore
- 7 Parte inferiore
- 8 Maniglia



- 1 Manopola forno
- 2 Bruciatore normale Sinistra posteriore
- 3 Bruciatore rapido Sinistra anteriore

- 4 Bruciatore ausiliario Destra anteriore
- 5 Bruciatore normale Destra posteriore

Contenuto della confezione

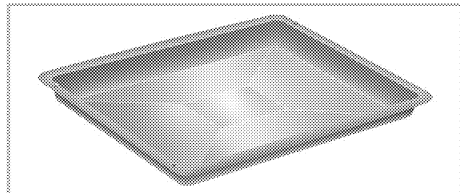


Gli accessori in dotazione possono variare a seconda del modello del prodotto. Non tutti gli accessori descritti nel manuale utente potrebbero esistere con il prodotto acquistato.

1. **Manuale utente**

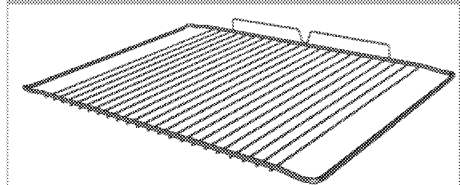
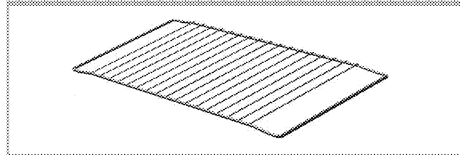
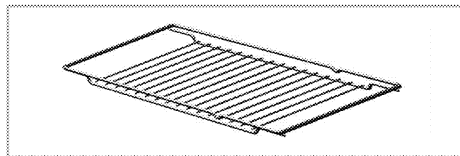
2. **Vassoio standard**

Usato per dolci, alimenti congelati e grandi arrosti.



3. **Grill metallico**

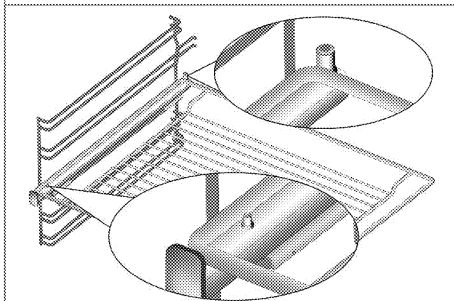
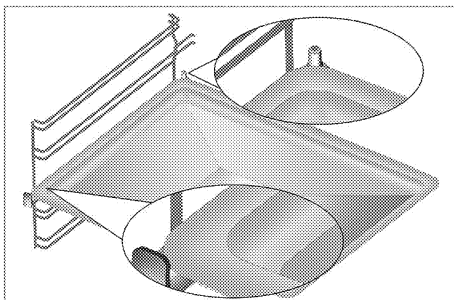
forno, da arrostitire o piatti da cuocere in casseruola sulla rastrelliera desiderata.



4. **Posizionare in modo corretto ripiano metallico e vassoio sulle rastrelliere telescopiche (Questa funzione è opzionale. Potrebbe non essere sul prodotto acquistato).**

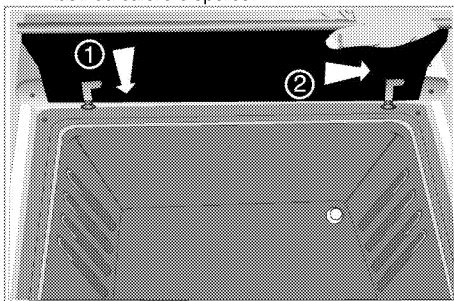
Le rastrelliere telescopiche consentono di installare e rimuovere facilmente i vassoi e il ripiano metallico.

Quando si usa il vassoio e il ripiano metallico con le rastrelliere telescopiche, assicurarsi che i perni della sezione posteriore della rastrelliera telescopica siano contro i bordi di grill metallico e vassoio.

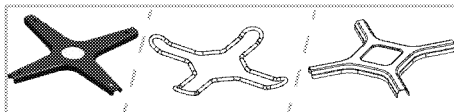


5. **Foglio di protezione della manopola**

Usato per cottura con grill con lo sportello del forno aperto. Protegge il pannello di controllo e i tasti da calore e sporco.



6. **Adattatore caffettiera**



Usato per caffettiere.



Si consiglia di non utilizzare vassoi e griglie a contatto diretto con gli alimenti.

Specifiche tecniche

GENERALE	
Dimensioni esterne (altezza/larghezza/profondità)	850 mm/600 mm/600 mm
Categoria di prodotto a gas	II 2H3+
Tipo di gas/pressione	NG G 20/20 mbar
Consumo totale gas	10.4kW
Conversione del tipo di gas/pressione ^S	LPG G 30/28-30 mbar
– opzionale	Propano 31/37 mbar
PIANO COTTURA	
Bruciatori	
Sinistra posteriore	Bruciatore normale
Energia	2000 W
Sinistra anteriore	Bruciatore rapido
Energia	2900 W
Destra anteriore	Bruciatore ausiliario
Energia	1000 W
Destra posteriore	Bruciatore normale
Energia	2000 W
FORNO/GRILL	
Forno principale	Forno a gas
Consumo energetico grill	2.5 kW
Consumo gas del forno	2.5 kW



Le specifiche tecniche potrebbero essere modificate senza preavviso per migliorare la qualità del prodotto.



Le figure in questo manuale sono schematiche e potrebbero non corrispondere esattamente al prodotto.



I valori dichiarati sulle etichette del prodotto o nella documentazione che lo accompagna si ottengono in condizioni di laboratorio secondo gli standard relativi. A seconda delle condizioni di funzionamento e ambientali del prodotto, questi valori potrebbero variare.

Tabella iniettori

Posizione del piano cottura	2000 W Sinistra posteriore	2900 W Sinistra anteriore	1000 W Destra anteriore	2000 W Destra posteriore
Tipo di gas/pressione del gas				
G 20/20 mbar	103	115	72	103
G 30/28-30 mbar	72	87	50	72
G 31/ 37 mbar	72	87	50	72
Tipo di gas/pressione del gas	Forno a gas		GRILL	
G 20/20 mbar	115		115	
G 30/28-30 mbar	73		73	
G 31/ 37 mbar	73		73	

3 Installazione

Il prodotto deve essere installato da una persona qualificata secondo i regolamenti in vigore. Altrimenti la garanzia non sarà valida. Il produttore non sarà considerato responsabile dei danni derivanti da procedure eseguite da persone non autorizzate e potrebbe considerare non valida la garanzia.



La preparazione della posizione e l'installazione elettrica e del gas per il prodotto è responsabilità del cliente.



PERICOLO:

Il prodotto deve essere installato secondo i regolamenti locali per il gas e/o elettrici.



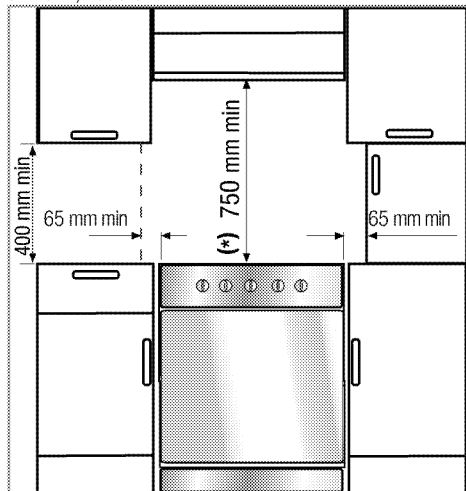
PERICOLO:

Prima dell'installazione, controllare visivamente se il prodotto presenta difetti. Se è così, non installarlo. Prodotti danneggiati provocano rischi per la sicurezza.

Prima della installazione

Per assicurare di mantenere importanti aperture per l'aria sotto all'apparecchio, consigliamo che l'apparecchio stesso sia montato su una base solida e che i piedini non siano posti in un tappeto o coperture morbide del pavimento.

Il pavimento della cucina deve essere in grado di portare il peso dell'apparecchio più il peso aggiuntivo di pentole e accessori per la cottura al forno e degli alimenti; vedere .



- Si può usare con alloggiamenti su entrambi i lati ma per avere una distanza minima di 400 mm al

di sopra del livello della piastra calda, consentire una distanza laterale di 65mm tra l'apparecchio e pareti, tramezzi o mobili alti.

- Si può usare anche in posizione free standing. Consentire una distanza minima di 750 mm sulla superficie del piano cottura.
- (*) Se la cappa deve essere installata sopra al piano cottura, vedere le istruzioni del produttore della cappa sull'altezza dell'installazione (min 650 mm).
- L'apparecchio corrisponde ad un dispositivo di classe 1, cioè può essere posto con il lato posteriore e **unlato** verso le pareti della cucina, i mobili della cucina o apparecchiature di qualsiasi dimensione. I mobili della cucina o le apparecchiature sull'**altro** lato possono essere solo della stessa dimensione o più piccoli.
- Tutti i mobili della cucina vicino all'apparecchio devono essere resistenti al calore (100 °C min.).

Ventilazione ambiente

Tutti gli ambienti richiedono una finestra apribile o equivalente, e alcune stanze richiedono anche un'apertura fissa. L'aria per la combustione viene presa dall'aria dell'ambiente e i gas di scarico sono emessi direttamente nell'ambiente. Una buona ventilazione è essenziale per il funzionamento sicuro dell'apparecchio.

Ambienti con porte e/o finestre che si aprono direttamente verso l'ambiente esterno

Le porte e/o le finestre che si aprono direttamente verso l'ambiente esterno devono avere una apertura di ventilazione totale delle dimensioni specificate nella tabella che segue, che si basa sulla potenza totale del gas dell'apparecchio (il consumo totale di gas dell'apparecchio è mostrato nella tabella con le specifiche tecniche di questo manuale utente). Se le porte e/o le finestre non hanno un'apertura per la ventilazione totale corrispondente al consumo totale di gas dell'apparecchio specificata nella tabella che segue, deve esserci obbligatoriamente una apertura fissa aggiuntiva per la ventilazione dell'ambiente in modo da assicurare che i requisiti di ventilazione minima totale per il consumo di gas totale siano rispettati. L'apertura fissa per la ventilazione può includere aperture per mattoni forati esistenti, dimensione del condotto della cappa, ecc.

Consumo totale gas (kW)	Apertura min. di ventilazione (cm ²)
0-2	100
2-3	120

3-4	175
4-6	300
6-8	400
8-10	500
10-11,5	600
11,5-13	700
13-15,5	800
15,5-17	900
17-19	1000
19-24	1250

Ambienti che non hanno porte e/o finestre che si aprono direttamente verso l'ambiente esterno

Se l'ambiente in cui l'apparecchio è installato non ha una porta e/o una finestra che si apre direttamente verso l'ambiente esterno, bisogna cercare altri prodotti che garantiscano con certezza una apertura fissa per la ventilazione che non possa essere regolata né chiusa, conforme ai requisiti minimi per la ventilazione totale per il consumo totale di gas dell'apparecchio, secondo quanto indicato nella tabella sopra. Bisogna seguire anche i requisiti previsti dalle norme appropriate per l'edilizia.

Se una stanza o uno spazio interno contiene più di un apparecchio a gas, un'area aggiuntiva per la ventilazione deve essere garantita come requisito fondamentale della tabella suddetta. La grandezza dell'area aggiuntiva per la ventilazione deve essere appropriata alle norme relative agli altri apparecchi a gas.

Ci deve anche essere una distanza minima di 10 mm dal bordo inferiore della porta che si apre sull'ambiente interno della stanza in cui viene installato l'apparecchio. Bisogna assicurare che oggetti, come tappeti e altre coperture per il pavimento, non intacchino la distanza quando la porta è chiusa. Il piano cottura può essere posizionato in cucina, in cucina/sala da pranzo o in una camera da letto ma non in un ambiente che contenga una vasca o una doccia. Il piano cottura non deve essere installato in una camera da letto di meno di 20 m³.

Non installare questo apparecchio in un ambiente sottoterra a meno che non sia aperto all'aria da almeno un lato.

Installazione e collegamento

L'unità può essere installata e collegata solo secondo le norme legali sulla installazione.



Non installare l'apparecchio vicino ad un frigorifero o congelatore. Il calore emesso dall'apparecchio porta ad un accresciuto consumo energetico da parte delle unità di raffreddamento.

- Trasportare l'unità con almeno due persone.
- L'unità deve essere posta direttamente sul pavimento. Non deve essere messa su una base o un piedistallo.



Non usare sportello e/o maniglia per portare o spostare il prodotto. Sportello, maniglia o cerniere si danneggiano.

Collegamento del gas



PERICOLO:

L'apparecchio può essere collegato al sistema di alimentazione del gas solo da una persona autorizzata e qualificata.

Rischio di esplosioni o intossicazione a causa di riparazioni non professionali!

Il produttore non sarà considerato responsabile dei danni derivanti da procedure eseguite da persone non autorizzate.



PERICOLO:

Prima di avviare un lavoro sulla installazione del gas, scollegare l'alimentazione del gas. C'è il rischio di esplosione!

- Condizioni di regolazione e valori del gas sono presenti sulle etichette (o sull'etichetta tipo ioni).

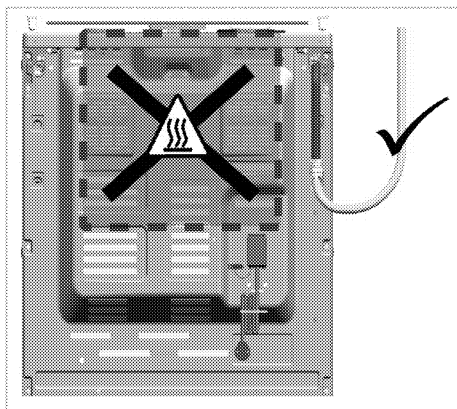


L'apparecchio è impostato per gas naturale (GN).

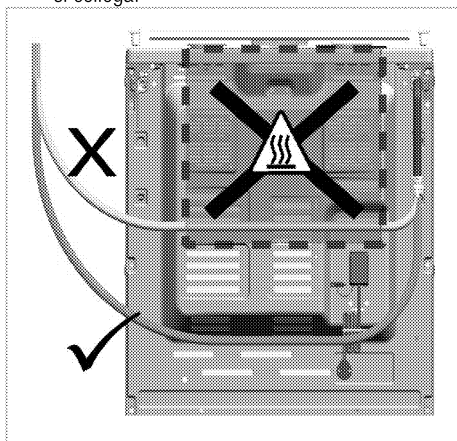
- L'installazione relativa al gas naturale deve essere predisposta in maniera adeguata prima di installare l'unità.
- Il collegamento relativo al gas dell'apparecchio deve essere effettuato dal servizio autorizzato.
- Ci deve essere un tubo flessibile all'uscita dell'installazione per il collegamento del gas naturale dell'unità e la punta di questo tubo deve essere chiusa con un tappo cieco. Il tappo cieco verrà rimosso durante il collegamento e l'apparecchio verrà collegato con un dispositivo di collegamento piatto (manicotto).
- Assicurarsi che la valvola di gas naturale sia subito accessibile.
- Se è necessario usare in seguito l'apparecchio con un tipo diverso di gas, è necessario consultare il servizio autorizzato per la relativa procedura di conversione.

Se l'apparecchio presenta soltanto un'uscita per il gas:

- Prima di collegare il tubo per il gas, assicurarsi che l'uscita dello stesso, situata nella parte posteriore dell'apparecchio, sia sullo stesso lato della valvola del gas naturale.

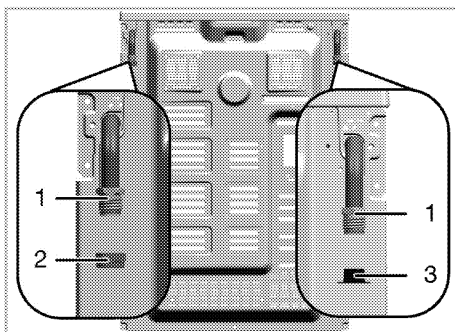


- Nel caso in cui l'uscita del tubo del gas e la valvola del gas naturale non siano posizionate sullo stesso lato, controllare che il tubo non passi attraverso la zona ad alta temperatura quando lo si collega.



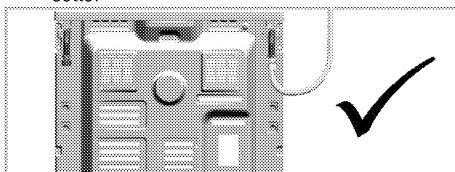
Se l'apparecchio presenta due uscite per il gas:

- Una delle due uscite è chiusa da un tappo cieco e l'altra da un tappo di plastica. Le posizioni del tappo cieco e del tappo di plastica possono essere diverse, in base al prodotto.

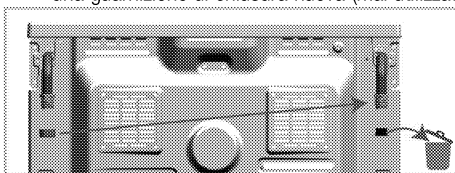


- 1 Uscita del tubo del gas
- 2 Tappo cieco
- 3 Tappo di plastica

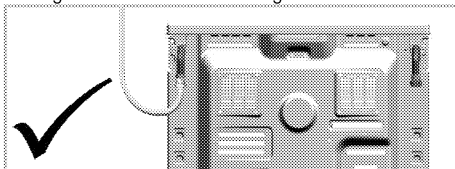
- Prima di procedere con il collegamento del gas, assicurarsi che la valvola del gas naturale e l'uscita del tubo del gas del prodotto possano essere collegate al gas sullo stesso lato.
- Nel caso in cui la valvola del gas naturale e l'uscita del tubo del gas sigillata con il tappo di plastica siano rivolte sullo stesso lato, installare il collegamento del gas come mostrato nella figura sotto.



- Se la valvola del gas naturale e il tubo del gas sigillato con il tappo cieco sono rivolti verso lo stesso lato, rimuovere e smaltire il tappo di plastica. Estrarre il tappo cieco e chiudere l'uscita del tubo del gas nel caso in cui il collegamento del gas non venga effettuato con una guarnizione di chiusura nuova (mai utilizzata).





- Effettuare il collegamento del gas, come illustrato nella figura sottostante, sull'uscita del tubo del gas vicina alla valvola del gas naturale.



Rischio di incendio:

Nel caso in cui non sia possibile effettuare il collegamento in conformità con le istruzioni riportate di seguito, si rischieranno perdite di gas e incendio. **La nostra azienda non si assume alcuna responsabilità per danni derivanti da tale circostanza.**

- Il collegamento del gas deve essere effettuata esclusivamente dal fornitore di assistenza autorizzato.
- Il collegamento al gas del prodotto deve necessariamente essere effettuato mediante l'uscita del tubo del gas situata accanto alla valvola del gas naturale.
- Il tappo di plastica deve essere gettato e l'uscita del tubo del gas che non verrà utilizzata deve essere chiusa con il tappo cieco.
- Durante la chiusura dell'uscita del tubo del gas che non verrà utilizzata con il tappo cieco, è assolutamente necessario utilizzare una guarnizione di chiusura nuova, mai utilizzata.


	PERICOLO: Il tubo del gas flessibile deve essere collegato in maniera tale da non entrare in contatto con le parti mobili che lo circondano e non rimanere intrappolato quando le parti mobili si spostano (ad es. i cassetti). Non dovrebbe inoltre essere posizionato in spazi in cui potrebbe rimanere schiacciato.
	PERICOLO: Il flessibile del gas non deve essere schiacciato, piegato o bloccato né deve venire in contatto con le parti calde dell'apparecchio. C'è il rischio di esplosione a causa del flessibile del gas danneggiato.

Controllo delle perdite presso il punto di collegamento

- Assicurarsi che tutte le manopole dell'unità siano disattivate. Assicurarsi che l'alimentazione di gas sia aperta. Preparare schiuma di sapone ed applicarla sul punto di collegamento del tubo per controllare eventuali perdite di gas.
- La parte saponata produce schiuma in caso di perdite di gas. In questo caso, ispezionare di nuovo il collegamento del gas.
- **Nel caso in cui l'apparecchio presenti due uscite per il tubo del gas**, assicurarsi che l'uscita per il gas non utilizzata sia chiusa con un tappo cieco. Preparare schiuma di sapone ed applicarla sul punto di collegamento del tappo cieco per individuare eventuali perdite di gas. La

parte saponata produce schiuma in caso di perdite di gas. In questo caso, ispezionare di nuovo il collegamento del tappo cieco.


- Al posto del sapone è anche possibile utilizzare spray specifici, disponibili in commercio, per il controllo di perdite di gas.

	Non usare mai fiammiferi o accendini per eseguire il controllo di eventuali perdite di gas.
---	---


- Spingere l'apparecchio verso la parete della cucina.
- **Regolazione dei piedini del forno**
Vibrazioni durante l'uso possono provocare lo spostamento dei contenitori della cucina. Questa situazione pericolosa può essere evitata se l'apparecchio è piano ed equilibrato. Per la propria sicurezza, è bene assicurarsi che l'apparecchio sia piano regolando i quattro piedini sul fondo ruotando verso sinistra o destra e allineando con il piano di lavoro.

Controllo finale

1. Aprire la fornitura del gas.
2. Controllare le installazioni del gas per montaggio e tenuta sicuri.
3. Accendere i bruciatori e controllare l'aspetto della fiamma.

	La fiamma deve essere blu e avere una forma regolare. Se la fiamma tende al giallo, controllare se il coperchio del bruciatore è posizionato in modo sicuro o pulire il bruciatore.
---	---


Conversione del gas

	PERICOLO: Prima di avviare un lavoro sulla installazione del gas, scollegare l'alimentazione del gas. C'è il rischio di esplosione!
--	---

Per cambiare il tipo di gas del proprio apparecchio, cambiare tutti gli iniettori ed eseguire la regolazione della fiamma per tutte le valvole in posizione di flusso ridotto.

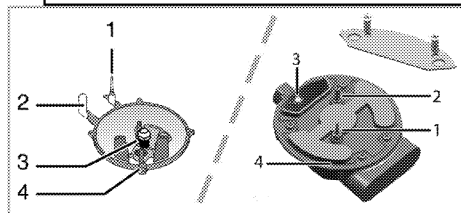
Cambiare l'iniettore dei bruciatori

1. Estrarre la copertura e il corpo del bruciatore.
2. Svitare gli iniettori ruotandoli in senso antiorario.
3. Montare nuovi iniettori.
4. Controllare tutte le connessioni per montaggio e tenuta sicuri.

	I nuovi iniettori hanno la loro posizione contrassegnata sulla confezione o <i>Tabella iniettori</i> , pagina 12 si può vedere la tabella degli iniettori.
---	--



(Varia a seconda del modello dell'apparecchio.)
Sui bruciatori di alcuni piani cottura l'iniettore è coperto da una parte in metallo. Questa copertura in metallo deve essere rimossa per sostituire l'iniettore.



- 1 Dispositivo di assenza fiamma (a seconda del modello)
- 2 Candela di accensione
- 3 Iniettore
- 4 Bruciatore



A meno che non vi siano condizioni anomale, non cercare di rimuovere i rubinetti del bruciatore a gas. Bisogna chiamare l'agente autorizzato per l'assistenza se è necessario cambiare i rubinetti.

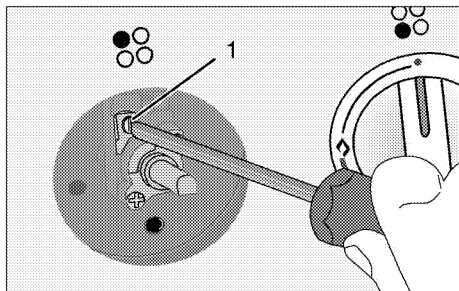
Impostazione ridotta del flusso di gas per i rubinetti del piano cottura

1. Accendere il bruciatore da regolare e portare la manopola in posizione ridotta.
2. Rimuovere la manopola dal rubinetto del gas.
3. Usare un cacciavite della dimensione giusta per regolare la vite di regolazione del flusso.

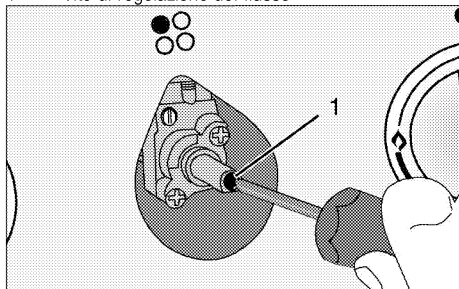
Per GPL (Butano - Propano) ruotare la vite in senso orario. Per il gas naturale, bisogna ruotare la vite in **senso antiorario** una volta.

» La lunghezza normale di una fiamma diritta in posizione ridotta deve essere 6-7 mm.

4. Se la fiamma è più alta della posizione desiderata, ruotare la vite in senso orario. Se è più bassa, ruotarla in senso antiorario.
5. Per l'ultimo controllo, portare il bruciatore in posizione con fiamma alta e ridotta e controllare se la fiamma è presente o meno.
6. In base al tipo di rubinetto del gas usato nell'apparecchio, la posizione della vite di regolazione può variare.



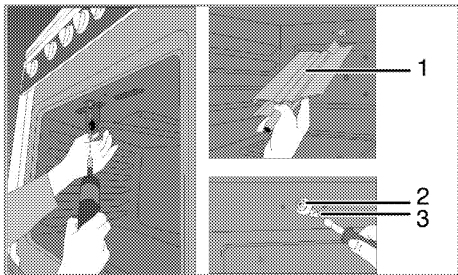
1 Vite di regolazione del flusso



1 Vite di regolazione del flusso

Cambiare l'iniettore per il grill

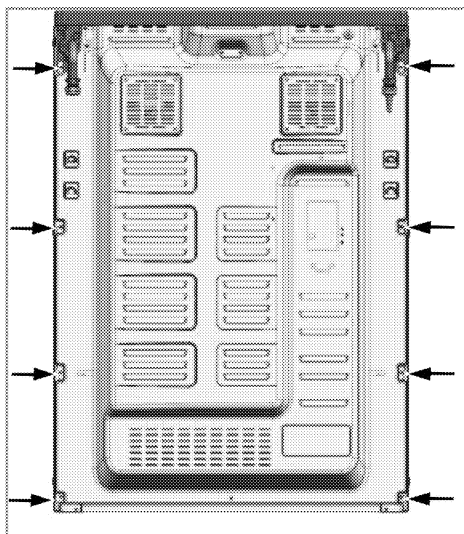
1. Aprire lo sportello anteriore.
2. Svitare la vite del bruciatore del grill.
3. Tirare leggermente il bruciatore del grill (1) per sollevarlo liberamente con il suo collegamento/i suoi collegamenti collegato/collegati sul lato posteriore.
4. Svitare l'iniettore ruotandolo in senso antiorario.
5. Montare un nuovo iniettore.



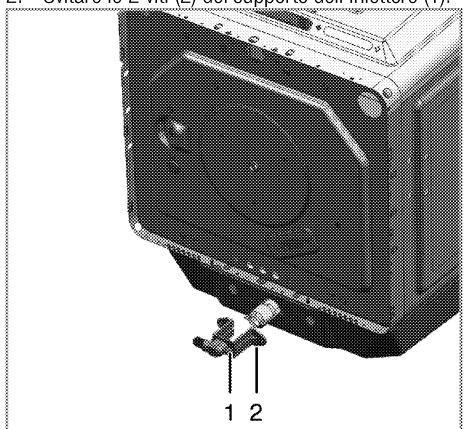
- 1 Bruciatore grill
- 2 Supporto iniettore
- 3 Iniettore

Cambiare l'iniettore del forno

1. Svitare le viti di tenuta della parete posteriore.



2. Svitare le 2 viti (2) del supporto dell'iniettore (1).



1 Supporto iniettore

2 Vite

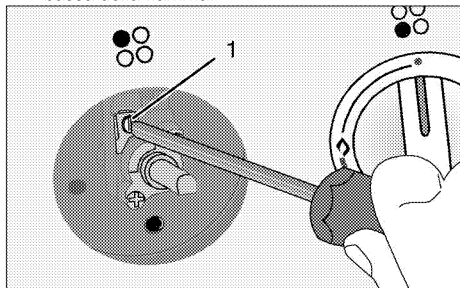
3. Estrarre il supporto dell'iniettore.
 4. Svitare l'iniettore ruotandolo in senso antiorario.
 5. Montare un nuovo iniettore.

Regolazione di flusso ridotto per il forno a gas

Per un funzionamento appropriato del forno, ricontrollare la regolazione di by-pass è estremamente importante. Per fornire una sicurezza massima all'utente, queste operazioni devono essere fatte con attenzione.

1. Accendere il bruciatore da regolare e portare la manopola in posizione alta della fiamma.
 2. Chiudere lo sportello del forno ed attendere da 10 a 15 minuti finché il forno diventa pronto per la regolazione.

3. Estrarre la manopola.
 4. Dopo 15 minuti, regolare il forno alla posizione più bassa della fiamma.

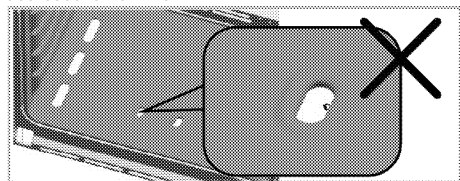


5. Impostare la lunghezza della fiamma da 2 a 3 mm con la vite 7 sul termostato del forno. Ruotando la vite in senso orario, si riduce la fiamma e ruotandola in senso antiorario, si accresce la fiamma.

i Se la portata del gas di forno non può essere impostato con la rimozione di manopola, si prega di rimuovere le parti del forno necessarie (pannello di controllo, bruciatore piatto ecc) e quindi impostare la portata del gas di forno.

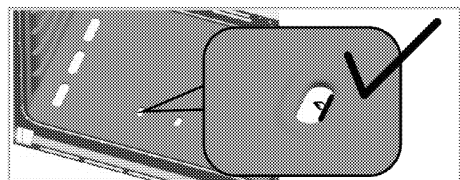
i Se la temperatura del forno aumenta in modo accidentale, spegnere il forno e chiamare l'assistenza autorizzata per far riparare il termostato del forno.

Impostare la fiamma a una lunghezza ottimale come indicato nella figura seguente per mezzo della vite 1 sul rubinetto del forno. Ruotando in senso orario, si riduce la fiamma; ruotando in senso antiorario, si accresce la fiamma.

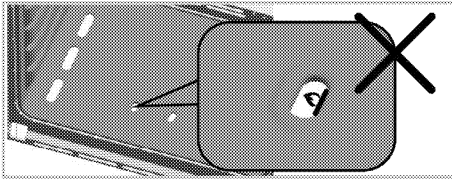


Se la fiamma è troppo debole,

* la temperatura del forno potrebbe essere troppo bassa: ciò potrebbe avere un effetto negativo sul risultato di cottura.



La lunghezza di fiamma ideale offre le migliori prestazioni.



Se la fiamma è troppo forte,

* la temperatura del forno potrebbe essere troppo alta: ciò potrebbe avere un effetto negativo sul risultato di cottura.

i Dopo aver regolato la fiamma a gas, aprire e chiudere ripetutamente lo sportello e assicurarsi che la fiamma del forno non si spenga.

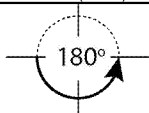
i Se il tipo di gas dell'unità è cambiato, allora anche la piastra con i valori nominali che mostra il tipo di gas dell'unità deve essere cambiata.

Gas naturale in butano/propano (GPL)

Butano/propano (GPL) in gas naturale (G20 20mbar/ G25 25 mbar / G25.3 25mbar)

Stringere la vite ruotandola in senso orario fino alla fine.

Allentare la vite di 180° (circa)

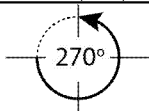


Gas naturale in butano/propano (GPL)

Butano/propano (GPL) in gas naturale (G20 10mbar/ G20 13 mbar)

Stringere la vite ruotandola in senso orario fino alla fine.

Allentare la vite di 270° (circa)

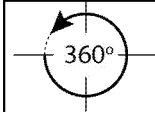


Gas naturale in butano/propano (GPL)

Butano/propano (GPL) in gas naturale (G2 350 13mbar gas locale Polonia)

Stringere la vite ruotandola in senso orario fino alla fine.

Allentare la vite di 360° (circa)



i La regolazione ridotta del flusso può variare a seconda del prodotto, del bruciatore e del tipo di gas. Assicurarsi che la lunghezza della fiamma rispetti i valori suddetti.

Smaltimento di vecchi prodotti

- Conservare il cartone originale del prodotto e trasportare il prodotto in esso. Seguire le istruzioni sul cartone. Se non si ha il cartone originale, imballare il prodotto nella carta con le bolle o in un cartone spesso e assicurarlo con nastro adesivo.
- Per evitare che il grill metallico e il vassoio all'interno del forno danneggino lo sportello del forno, mettere una striscia di cartone sull'interno dello sportello in modo che si allinei con la posizione dei vassoi. Attaccare con del nastro adesivo lo sportello del forno alle pareti laterali.
- Assicurare i coperchi e i supporti delle pentole con nastro adesivo.
- Non usare sportello o maniglia per sollevare o spostare il prodotto.

i Non mettere oggetti sull'apparecchio e spostarlo in posizione verticale.

i Controllare l'aspetto generale del prodotto per eventuali danni che potrebbero essersi verificati durante il trasporto.

4 Preparazioni

Consigli per il risparmio energetico

Le informazioni che seguono aiutano ad usare l'apparecchio in modo ecologico e a risparmiare energia:

- Usare coperchi di colori scuri e smaltati, poiché la trasmissione del calore è migliore.
- Quando si cucinano gli alimenti, eseguire un'operazione di preriscaldamento se è consigliato nel manuale utente o nelle istruzioni della cottura.
- Non aprire lo sportello del forno di frequente durante la cottura.
- Cercare di cucinare più di un piatto alla volta nel forno laddove possibile. Si può cucinare mettendo due contenitori per la cottura sul grill metallico.
- Cucinare più di un piatto uno dopo l'altro. Il forno è già caldo.
- Scongelare gli alimenti congelati prima di cuocerli.

- Usare pentole/padelle con coperchi per la cottura. Se non vi è coperchio, il consumo energetico può aumentare 4 volte.
- Selezionare il bruciatore adatto per la dimensione del fondo della pentola da usare. Selezionare sempre la dimensione corretta della pentola per i piatti. Pentole più grandi richiedono più energia.

Uso iniziale

Prima pulizia del prodotto



La superficie può danneggiarsi a causa di alcuni detersivi o materiali di pulizia.

Non usare detersivi aggressivi, polvere/creme pulenti o oggetti taglienti durante la pulizia.

1. Rimuovere tutti i materiali di imballaggio.
2. Pulire le superfici del prodotto con un panno o una spugna umidi e asciugare con un panno.

5 Come utilizzare il piano cottura

Informazioni generali sulla cottura



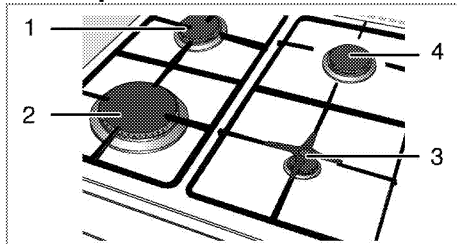
Non riempire mai la padella con olio per oltre un terzo. Non lasciare il piano cottura incustodito quando si riscalda l'olio. L'olio surriscaldato rappresenta un rischio di incendio. **Non cercare mai di spegnere un possibile incendio con l'acqua!** Quando l'olio prende fuoco, coprirlo con una coperta idonea o un panno umido. Spegnere il piano cottura se è sicuro farlo e chiamare i vigili del fuoco.

- Prima di friggere gli alimenti, asciugarli bene sempre e metterli delicatamente nell'olio caldo. Assicurare che gli alimenti congelati siano completamente scongelati prima di friggerli.
- Non coprire il contenitore usato quando si riscalda l'olio.
- Mettere pentole e padelle in modo tale che i manici non siano sul piano cottura per evitare il riscaldamento dei manici stessi. Non mettere contenitori sbilanciati e che si inclinano facilmente sul piano cottura.
- Non mettere contenitori e padelle vuoti sulle zone di cottura accese. Potrebbero danneggiarsi.
- L'uso di una zona di cottura senza un contenitore o una padella sopra provoca danni all'apparecchio. Spegnere le zone di cottura quando la cottura è completa.
- Poiché la superficie dell'apparecchio potrebbe essere calda, non mettere contenitori in plastica e alluminio su di essa.
Tali contenitori non devono essere nemmeno usati per conservare gli alimenti.
- Usare solo padelle o contenitori con fondo piatto.
- Mettere la quantità appropriata di alimenti nelle pentole e nelle padelle. Così non bisognerà eseguire alcuna operazione di pulizia non necessaria evitando traboccamenti.
Non mettere coperchi di pentole o padelle sulle zone di cottura.
Mettere le padelle in modo tale che siano al centro della zona di cottura. Quando si desidera spostare la padella su un'altra zona di cottura, sollevarla e metterla sulla zona di cottura scelta, non trascinarla.

Cottura a gas

- La dimensione del contenitore e la fiamma devono corrispondere. Regolare la fiamma del gas in modo che non superi il fondo del contenitore e centrare il contenitore sul poggiapentola.

Uso del piano cottura



- 1 Bruciatore normale 18-20 cm
- 2 Bruciatore rapido 22-24 cm
- 3 Bruciatore ausiliario 12-18 cm
- 4 Bruciatore normale 18-20 cm è il diametro consigliato per le pentole da usare sui relativi bruciatori.



ATTENZIONE

Non utilizzare pentole di cottura di dimensioni maggiori a quelle indicate sopra. L'uso di pentole più grandi causa un rischio di avvelenamento da monossido di carbonio, surriscaldamento delle superfici adiacenti e delle manopole di controllo. L'uso di pentole più piccole provoca il rischio di essere bruciati dalla fiamma.

Il simbolo della fiamma grande indica la massima potenza di cottura e il simbolo della fiamma piccola indica la cottura più bassa. In posizione off (superiore), il gas non è inviato ai bruciatori.

Accensione dei bruciatori a gas

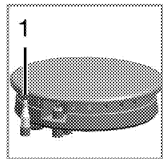
Il bruciatore non è dotato di accensione automatica. Usare un accendino o un fiammifero.

1. Tenere premuta la manopola del bruciatore.
2. Ruotarla in senso antiorario fino al simbolo della fiamma grande.
3. Accendere il piano cottura con un accendino.
4. Regolare secondo la potenza di cottura desiderata.

Spegnimento dei bruciatori a gas

Portare la manopola della zona per tenere in caldo nella posizione off (superiore).

Sistema di sicurezza di disattivazione del gas (nei modelli con componente termico)




1. Disattivazione di sicurezza del gas

Come contromisura di eventuali scoppi dovuti al traboccamento di liquidi sui bruciatori, si innesca un meccanismo di sicurezza e il gas viene disattivato.

- Premere la manopola e ruotare in senso antiorario per accendere.

- Quando il gas si accende, tenere la manopola premuta per 3-5 secondi ancora per impegnare il sistema di sicurezza.
- Se il gas non si accende dopo aver premuto e rilasciato la manopola, ripetere la stessa procedura tenendo la manopola premuta per 15 secondi.

	PERICOLO: Rilasciare il tasto se il bruciatore non è acceso entro 15 secondi. Aspettare almeno 1 minuto prima di riprovare. C'è il rischio di accumulo di gas ed esplosione!
---	--

6 Come utilizzare il forno

Informazioni generali su cottura al forno, cottura arrosto e con grill



ATTENZIONE

Le superfici calde provocano ustioni!
Il prodotto può diventare caldo durante l'uso.
Non toccare mai i bruciatori caldi, le sezioni interne del forno, riscaldatori, ecc. Tenere lontani i bambini.
Usare sempre guanti resistenti al calore quando si mettono o si rimuovono i piatti nel/dal forno caldo.



PERICOLO:

Prestare attenzione quando si apre lo sportello del forno perché potrebbe fuoriuscire vapore. Il vapore in uscita può ustionare mani, volto e/o occhi.

Suggerimenti per la cottura al forno

- Usare piatti in metallo con adeguato rivestimento antiaderente o contenitori in alluminio o stampi in silicone resistenti al calore.
- Usare al meglio lo spazio della rastrelliera.
- Mettere lo stampo da forno al centro della rastrelliera.
- Selezionare la posizione corretta per la rastrelliera prima di accendere forno o grill. Non cambiare la posizione della rastrelliera quando il forno è caldo.
- Tenere lo sportello del forno chiuso.

Suggerimenti per l'arrosto

- Trattare pollo e tacchino interi, pezzi grandi di carne con condimenti come succo di limone e pepe nero prima della cottura migliora la prestazione di cottura.
- Ci vogliono circa 15-30 minuti in più per arrostitre la carne con osso rispetto alla cottura arrosto di carne della stessa dimensione ma senza osso.
- Ogni centimetro di spessore della carne richiede circa 4-5 minuti di cottura.
- Lasciare la carne nel forno per circa 10 minuti dopo il periodo di cottura. Il succo si distribuisce meglio per tutto l'arrosto e non fuoriesce quando si taglia la carne.
- Il pesce deve essere posto sulla rastrelliera centrale o inferiore in un piatto resistente al calore.

Suggerimenti per la cottura con grill

Quando carne, pesce e pollame sono cotti con grill, subito si rosolano, hanno una piacevole crosta e non restano secchi. Parti sottili, spiedini di carne e salsicce

sono particolarmente adatti per la cottura con grill, così come verdure con alto contenuto di acqua, come pomodori e cipolle.

- Distribuire i pezzi da cuocere con grill sul grill metallico o nel vassoio per cottura al forno con il grill metallico posto in modo tale che lo spazio coperto non superi la dimensione del riscaldatore.
- Far scorrere il grill metallico o il vassoio per la cottura al forno al livello desiderato nel forno. Se si cuoce al grill sul grill metallico, far scorrere il vassoio per la cottura al forno sulla rastrelliera inferiore per raccogliere i grassi. Aggiungere dell'acqua nel vassoio per la cottura al forno per una pulizia facile.

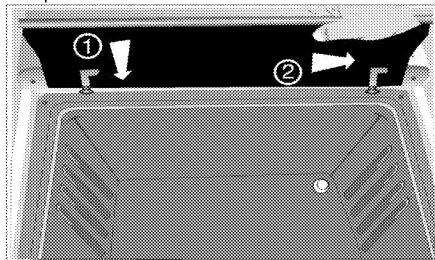


Gli alimenti che non sono adatti alla cottura al grill rappresentano un rischio di incendio. Usare solo alimenti per cottura con grill adatti al calore intenso del grill. Non mettere il cibo troppo lontano sul retro del grill. Questa è l'area più calda e gli alimenti grassi potrebbero prendere fuoco.

Installare il foglio di protezione della manopola.

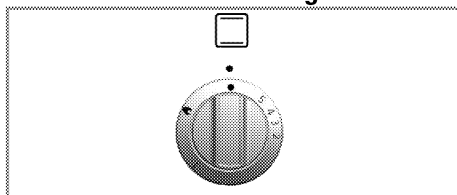
Il foglio di protezione della manopola si usa per la cottura con grill quando lo sportello del forno è aperto. Protegge il pannello di controllo e i tasti da calore e sporco.

1. Aprire lo sportello del forno e posizionare il foglio di protezione della manopola sui perni sotto al pannello di controllo.



» Quando il foglio di protezione della manopola è installato, lo sportello del forno resta aperto.

Come utilizzare il forno a gas




Il forno a gas si aziona con la manopola di controllo del forno a gas. In posizione off (superiore) l'alimentazione di gas è disattivata.

Accensione del forno a gas

Il forno a gas si accende con un accendigas.

1. Aprire lo sportello del forno.
 2. Tenere la manopola di controllo del gas premuta e ruotarla **in senso antiorario**.
 3. Accendere il gas con l'accendigas dal foro di controllo dell'accensione.
 4. Tenere il burner control (controllo del bruciatore) premuto per 3 - 5 secondi.
- » Assicurarsi che il gas si sia acceso e che la fiamma sia presente.
5. Tenere il controllo del bruciatore premuto per altri 3 - 5 secondi.
 6. Selezionare forza di cottura/segno del gas desiderati.



PERICOLO:
C'è il rischio di compressione di gas ed esplosione!
Non cercare di accendere il gas per oltre 15 secondi. Se il bruciatore non si accende entro 15 secondi, chiudere la manopola e aspettare 1 minuto. Ventilare l'ambiente prima di cercare di accendere di nuovo il bruciatore. In caso di mancato rispetto delle operazioni sopra indicate ci potrebbe essere rischio di compressione di gas ed esplosione.

Spegnimento del forno a gas

1. Ruotare la manopola di controllo del forno a gas in posizione off (alta).
- Livello di gas vuol dire:

Livello di gas	1	2	3	4	5
Temperatura in °C	170	180	200	230	280

Tabella tempi di cottura



La prima rastrelliera del forno è quella di fondo.



Carico massimo del vassoio del forno: 4 kg (8,8 lb).



I tempi in questo diagramma devono essere considerati una guida. I tempi possono variare a causa di temperatura degli alimenti, spessore, tipo e preferenze personali di cottura.

Mettere i piatti su un foglio di carta da forno per evitare schizzi sulla base del forno e aiutare a mantenere il forno pulito.

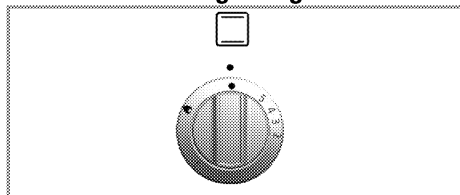
Cottura al forno e arrosto

Alimenti	Accessorio da usare	Preriscaldamento *	Livello di inserimento	Posizione manopola di controllo	Tempo di cottura
Torta di mele	Piatto metallico rotondo nero con un diametro di 20 cm su grill metallico***	10 min.	3	1	60...70 min.
Torta alla frutta	Piatto metallico rotondo nero con un diametro di 20 cm su grill metallico***	10 min.	3	1	60...70 min.
Torta	Piatto metallico rotondo nero con un diametro di 20 cm su grill metallico***	10 min.	3	1	60...70 min.
Dolcetti	Vassoio standard**	10 min.	4	1..2	30...40 min.
Pasta	Vassoio standard**	10 min.	3..4	1..2	40...50 min.
Torta	Tortiera su grill metallico***	10 min.	3	1..2	60...70 min.
Biscotti	Vassoio standard**	10 min.	4	1..2	30...40 min.
Arrosto di agnello	Vassoio standard**	10 min.	4..5	3	35...45 min.per 450 g + 30 min.
Arrosto di manzo	Vassoio standard**	10 min.	3..4	3	100...130 min.per 450 g + 30 min.
Tacchino	Vassoio standard**	10 min.	3	3	100...130 min.per 450 g + 30 min.
Pollame	Vassoio standard**	10 min.	3	1..2	100...130 min.per 450 g + 25 min.
In cassetta	Vassoio standard**	10 min.	4	1..2	90...120 min. ⁹
Pesce	Vassoio standard**	10 min.	3	1..2	45...55 min.

Pasta	Vassoio standard**	10 min.	4	1..2	50..55 min.
Victoria sandwich	Vassoio standard**	10 min.	3	1	30...35 min.


* In posizione manopola di controllo 5 / ⁹ a seconda della quantità / ⁸ a seconda della grandezza
** Questi accessori possono non essere forniti assieme al prodotto.
*** Questi accessori non sono forniti assieme al prodotto. Si tratta di accessori disponibili in commercio.

Come utilizzare il grill a gas



Il grill è azionato dalla manopola Grill control (controllo del grill). In posizione spento (superiore), non vi è alimentazione di gas.

Lo sportello del forno deve restare aperto durante la cottura con grill.



ATTENZIONE
Le superfici calde possono provocare ustioni!
Tenere i bambini lontani dall'apparecchio.
Lo sportello del forno resta leggermente inclinato quando è completamente aperto e quindi gli schizzi non raggiungono l'utente.

Accensione del grill

Il grill a gas si accende con un accendigas o un fiammifero.

1. Aprire lo sportello del forno.
2. Tenere la manopola premuta e ruotarla **in senso orario** verso il simbolo del grill.
3. Accendere il gas direttamente portando un accendigas o un fiammifero vicino al bruciatore del grill.
4. Tenere la manopola premuta per 3 - 5 secondi ancora.

Cottura con grill a gas

Alimenti	Preparazione/impostazione	Tempo cottura grill [#]
Tostare prodotti a base di pane	3...10 min.
Tagli piccoli di carne, salsicce, pancetta, ecc.	15...20 min.
Costolette, bistecche di quarto, parti di pollo, ecc.	Pollo con spiedino metallico in posizione verticale verso l'alto.	20...25 min.
Pesci interi, filetti di pesce, bastoncini di pesce	Pesci interi e filetti di pesce messi nella base del piatto del grill	10...20 min.
Pesce impanato	15...20 min.
Prodotti precotti a base di patate	15...20 min.
Pizza	Messi nella base del piatto del grill.	12...15 min.
Cuocere con grill/rosolare gli alimenti	Piatti messi direttamente sulla base dello scomparto del grill.	8...10 min.

[#] a seconda di dimensione/spessore



PERICOLO:

C'è il rischio di compressione di gas ed esplosione!

Non cercare di accendere il gas per oltre 15 secondi. Se il bruciatore non si accende entro 15 secondi, chiudere la manopola e aspettare 1 minuto. Ventilare l'ambiente prima di cercare di accendere di nuovo il bruciatore. In caso di mancato rispetto delle operazioni sopra indicate ci potrebbe essere rischio di compressione di gas ed esplosione.

Spegnimento del grill

1. Portare la manopola Grill control (controllo del grill) in posizione OFF (superiore).



Gli alimenti che non sono adatti alla cottura al grill rappresentano un rischio di incendio. Usare solo alimenti per cottura con grill adatti al calore intenso del grill.

Non mettere il cibo troppo lontano sul retro del grill. Questa è l'area più calda e gli alimenti grassi potrebbero prendere fuoco.

Tabella tempi di cottura



I tempi in questo diagramma devono essere considerati una guida. I tempi possono variare a causa di temperatura degli alimenti, spessore, tipo e preferenze personali di cottura.



La prima rastrelliera del forno è quella di fondo.

7 Manutenzione e cura

Informazioni generali

La vita di servizio dell'apparecchio si allunga e problemi frequenti diminuiscono se l'apparecchio è pulito ad intervalli regolari.



PERICOLO:

Scollegare l'apparecchio dalla rete elettrica prima di avviare i lavori di manutenzione e pulizia.

C'è il rischio di shock elettrico!



PERICOLO:

Consentire all'apparecchio di raffreddarsi prima di pulirlo.

Le superfici calde possono provocare ustioni!

- Pulire completamente l'apparecchio dopo ogni uso. In questo modo sarà possibile rimuovere i residui di cottura con maggiore facilità, evitando così che questi residui brucino all'uso successivo dell'apparecchio.
- Non sono necessari agenti di pulizia speciali per la pulizia dell'apparecchio. Usare acqua calda con detersivo liquido, un panno morbido o una spugna per pulire l'apparecchio e asciugare con un panno asciutto.
- Assicurare sempre che il liquido in eccesso sia completamente asciugato dopo la pulizia e che tutti gli schizzi siano immediatamente asciugati.
- Non usare agenti di pulizia che contengono acido o cloro per pulire le superfici e la maniglia in acciaio inox. Usare un panno morbido con un detersivo liquido (non abrasivo) per pulire queste parti, prestando attenzione a pulire in un'unica direzione.
- **(Questa funzione è opzionale. Potrebbe non essere sul prodotto acquistato).**
Non usare raschietti solidi in metallo o materiali di pulizia abrasivi per pulire la copertura in vetro. La superficie in vetro può danneggiarsi.



La superficie può danneggiarsi a causa di alcuni detersivi o materiali di pulizia.

Non usare detersivi aggressivi, polvere/creme pulenti o oggetti taglienti durante la pulizia.



Non usare pulitori a vapore per pulire l'apparecchio poiché ciò potrebbe provocare uno shock elettrico.

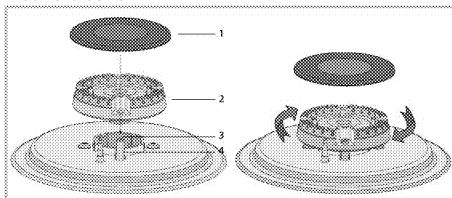
Pulizia del piano cottura

Pulizia del bruciatore

1. Rimuovere i poggiapentola dal piano cottura.
2. Rimuovere tutte le parti rimuovibili del bruciatore e pulire solo a mano con una spugna, poco detersivo e acqua calda.
3. Pulire le parti non rimuovibili del bruciatore con un panno umido.
4. Pulire la spina e l'elemento termico (nei modelli con accensione ed elemento termico) con un panno leggermente umido. Dopo asciugare con un panno pulito. Assicurarsi che i fori per la fiamma e la spina siano completamente asciutti. Altrimenti non si creano le scintille al momento dell'accensione.
5. Quando si montano i grill superiori, prestare attenzione a posizionare i poggiapentola in modo che i bruciatori siano al centro.

Montaggio delle parti del bruciatore wok

Dopo aver pulito il bruciatore, posizionare le parti come mostrato sotto



- 1 Coperchio bruciatore
 - 2 Testa bruciatore
 - 3 Camera bruciatore
 - 4 Candela (nei prodotti con dispositivo di accensione)
1. Mettere la testa del bruciatore controllando che passi attraverso la candela di accensione del bruciatore stesso (4). Ruotare la testa del bruciatore verso destra e verso sinistra per assicurarsi che sia ben posizionata nella camera del bruciatore stesso.
 2. Mettere la copertura del bruciatore sulla testa del bruciatore.

Pulizia del pannello di controllo

Pulire pannello di controllo e le manopole con un panno umido e asciugare.

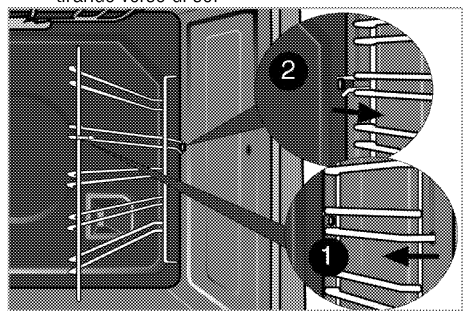
i Se il prodotto è dotato di tasti/manopole, non rimuovere le manopole di controllo per pulire il pannello di controllo.
Il pannello di controllo può danneggiarsi!

Pulizia del forno

Per pulire la parete laterale (Varia a seconda del modello dell'apparecchio.)

(Questa funzione è opzionale. Potrebbe non essere sul prodotto acquistato).

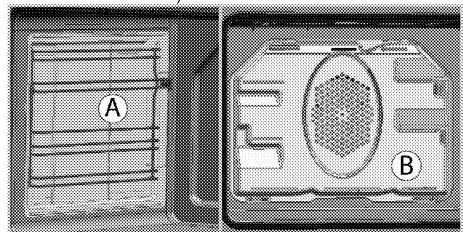
1. Rimuovere la sezione anteriore della rastrelliera laterale tirando nella direzione opposta alla parete laterale.
2. Rimuovere completamente la rastrelliera laterale tirando verso di sé.



Pareti catalitiche

(Questa funzione è opzionale. Potrebbe non essere sul prodotto acquistato).

Le pareti laterali interne (A) e/o la parete posteriore (B) dell'apparecchio potrebbero essere rivestite di smalto catalitico. Le pareti catalitiche hanno un colore opaco chiaro e una superficie porosa. Le pareti catalitiche del forno non devono essere pulite. Le superfici porose delle pareti catalitiche sono pulite automaticamente assorbendo e convertendo l'olio versato (vapore e biossido di carbonio).



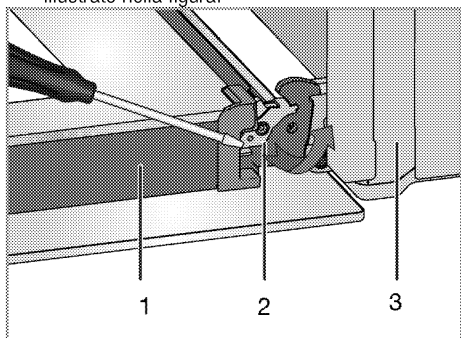
Pulire lo sportello del forno

Per pulire lo sportello del forno, usare acqua calda con detersivo liquido, un panno morbido o una spugna per pulire l'apparecchio e asciugare con un panno asciutto.

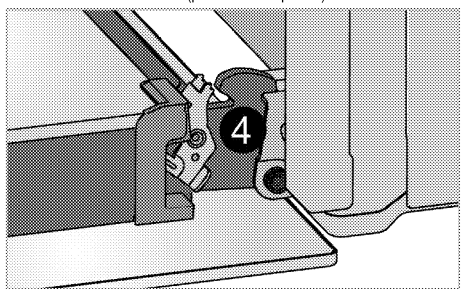
i Non usare detersivi molto abrasivi o raschietti in metallo tagliente per la pulizia dello sportello del forno. Essi potrebbero graffiare la superficie e distruggere il vetro.

Rimozione dello sportello del forno.

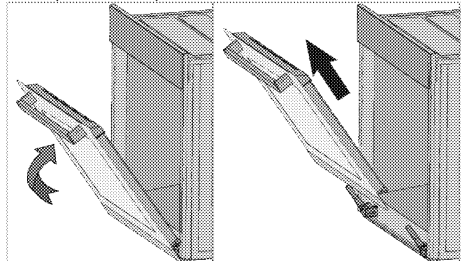
1. Aprire lo sportello anteriore (1).
2. Aprire i morsetti dell'alloggiamento della cerniera (2) sul lato destro e su quello sinistro dello sportello anteriore premendoli verso il basso come illustrato nella figura.



- 1 Sportello
- 2 Blocco cerniera(posizione chiusa)
- 3 Forno
- 4 Blocco cerniera(posizione aperta)



3. Spostare lo sportello anteriore a metà.



4. Rimuovere lo sportello anteriore tirandolo verso l'alto per farlo uscire dai cardini destro e sinistro.

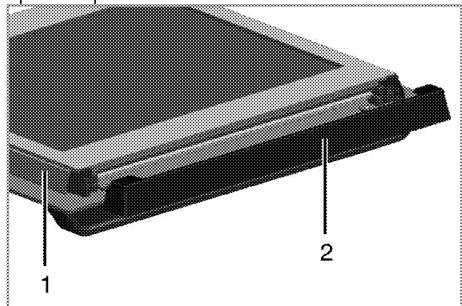
i I punti eseguiti durante il processo di rimozione devono essere eseguiti al contrario per installare lo sportello. Non dimenticare di chiudere i morsetti dell'alloggiamento del cardine quando si reinstalla lo sportello.

Rimozione del vetro interno dello sportello

(Questa funzione è opzionale. Potrebbe non essere sul prodotto acquistato).

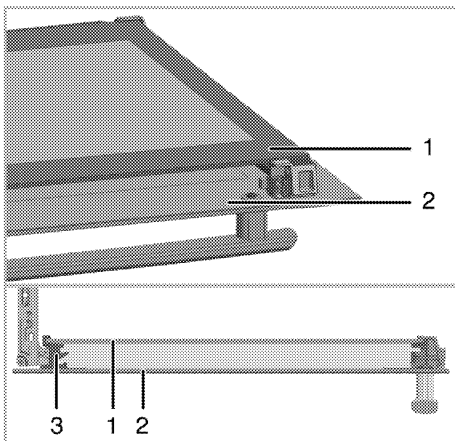
Il pannello interno in vetro dello sportello del forno può essere rimosso per la pulizia.

Aprire lo sportello del forno.



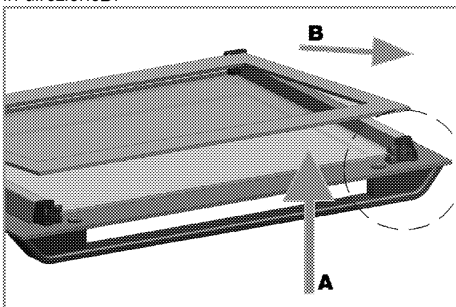
- 1 Struttura
- 2 Parte in plastica

Tirare verso di sé e rimuovere la parte in plastica installata sulla sezione superiore dello sportello anteriore.



- 1 Pannello interno in vetro
- 2 Pannello esterno in vetro
- 3 Apertura in plastica pannello in vetro - Inferiore

Come illustrato in figura, sollevare leggermente il pannello più interno in vetro (1) in direzione **A** e tirare in direzione **B**.



Quando si installa il pannello interno in vetro (1), assicurarsi che il lato stampato del pannello sia rivolto verso l'interno.

La cosa importante è posizionare l'angolo inferiore del pannello interno in vetro nell'apertura in plastica inferiore.

Spingere la parte in plastica verso la struttura fino a sentire un "clic".

8 Ricerca e risoluzione dei problemi

Il forno emette vapore durante l'uso.

- Si tratta del normale vapore che si produce durante il funzionamento. >>> *Non è guasto.*

L'apparecchio emette rumori metallici durante riscaldamento e raffreddamento.

- Quando le parti di metallo si riscaldano, possono espandersi e provocare rumori. >>> *Non è guasto.*

Non c'è la scintilla di accensione.

- Corrente assente. >>> *Controllare i fusibili nella scatola dei fusibili.*

Non c'è gas.

- La valvola principale del gas è chiusa. >>> *Aprire la valvola del gas.*
- Il tubo del gas è piegato. >>> *Installare correttamente il tubo del gas.*

bruciatori non funzionano bene o non funzionano affatto.

- I bruciatori sono sporchi. >>> *Pulire i componenti dei bruciatori.*
- I bruciatori sono bagnati. >>> *Asciugare i componenti dei bruciatori.*
- Il coperchio del bruciatore non è montato in modo sicuro. >>> *Montare correttamente il coperchio del bruciatore.*
- La valvola del gas è chiusa. >>> *Aprire la valvola del gas.*
- Il cilindro del gas è vuoto (quando si usa GPL). >>> *Sostituire il cilindro del gas.*



Consultare l'agente autorizzato per l'assistenza o il rivenditore dove è stato acquistato l'apparecchio se non si riesce a risolvere il problema nonostante siano state implementate le soluzioni di questa sezione. Non cercare mai di riparare da soli un apparecchio difettoso.

