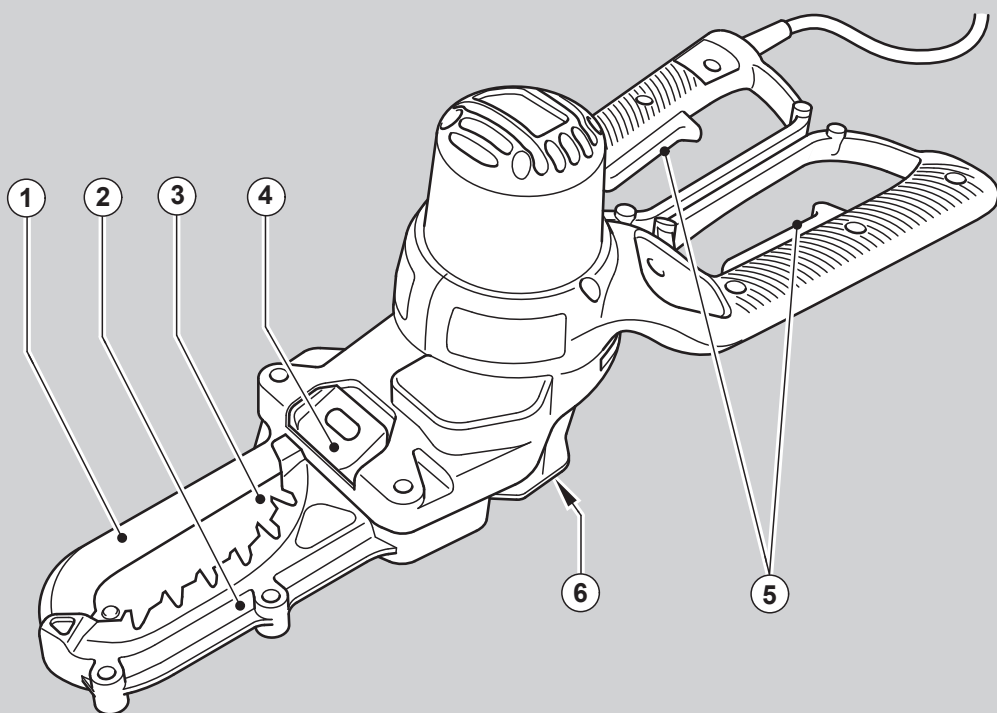
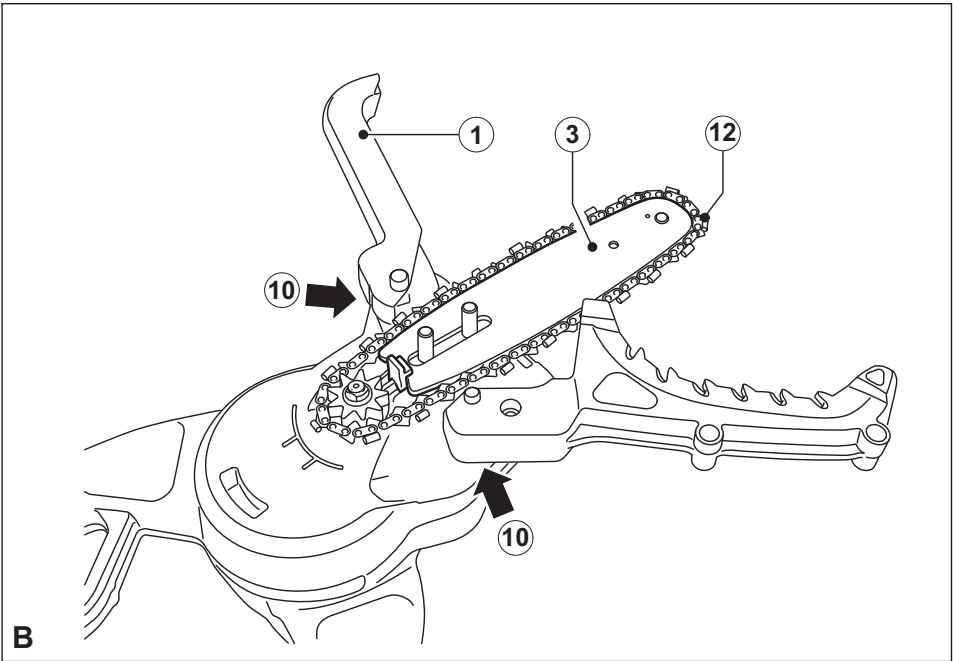
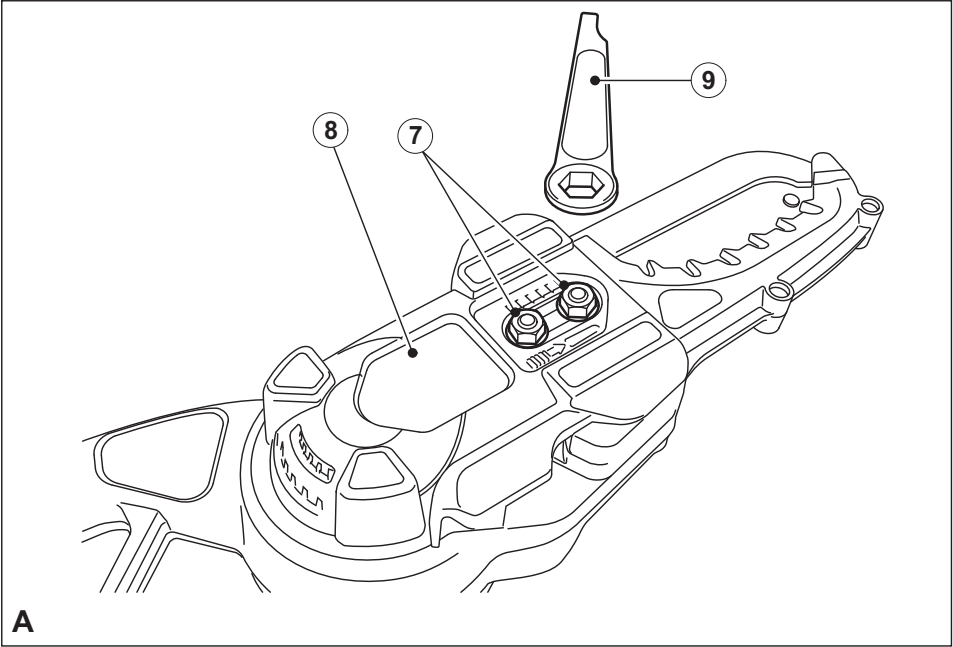


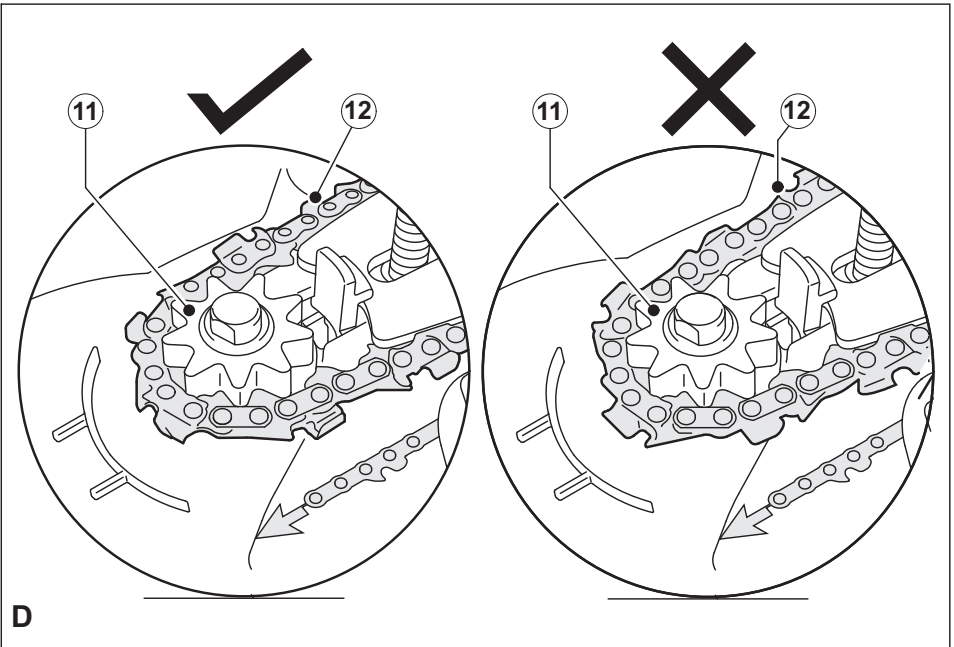
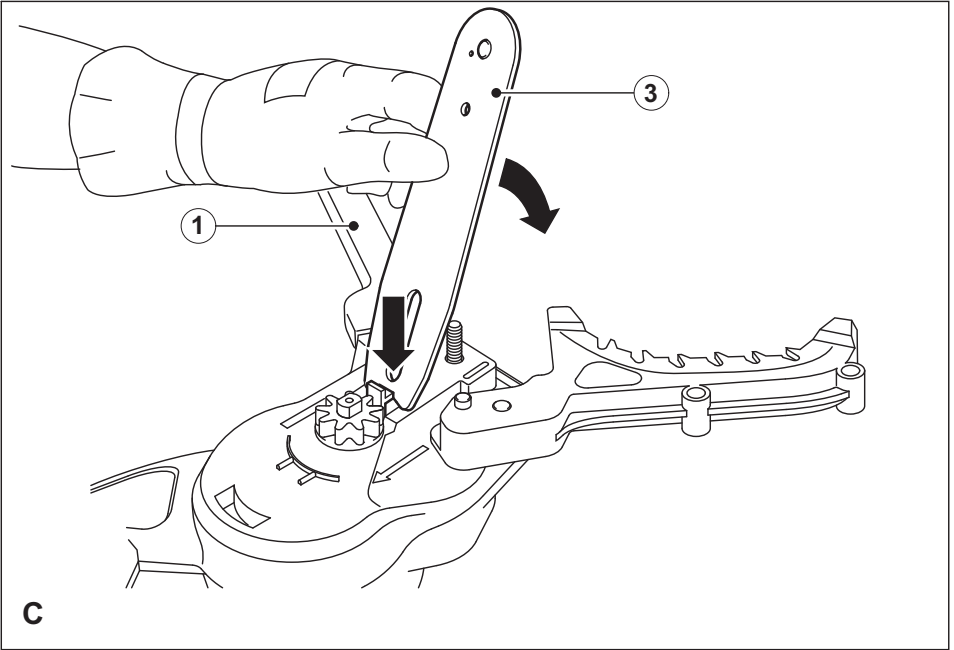
 **BLACK &  
DECKER®**

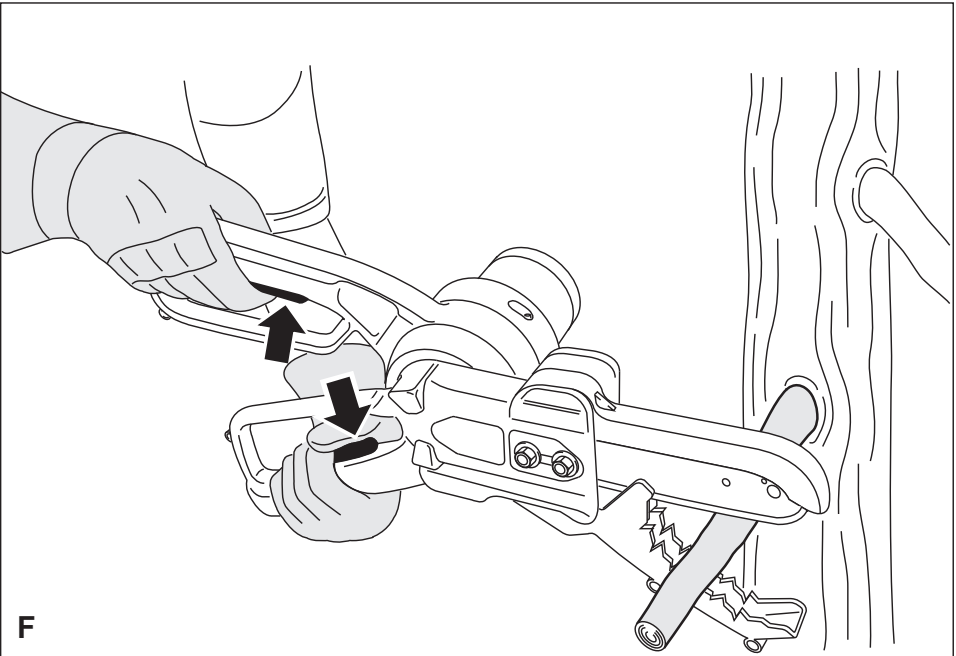
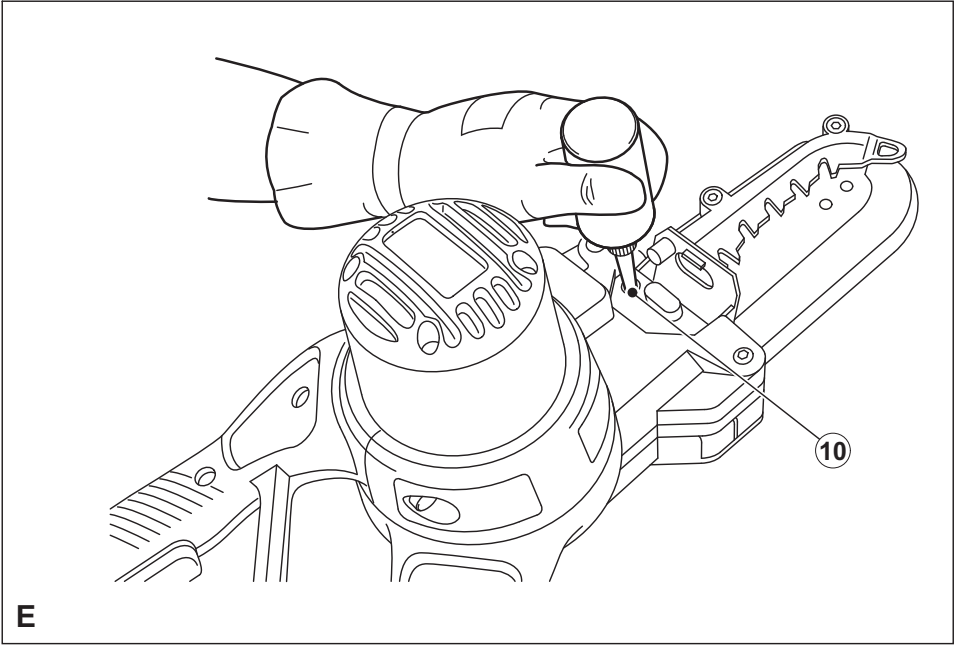


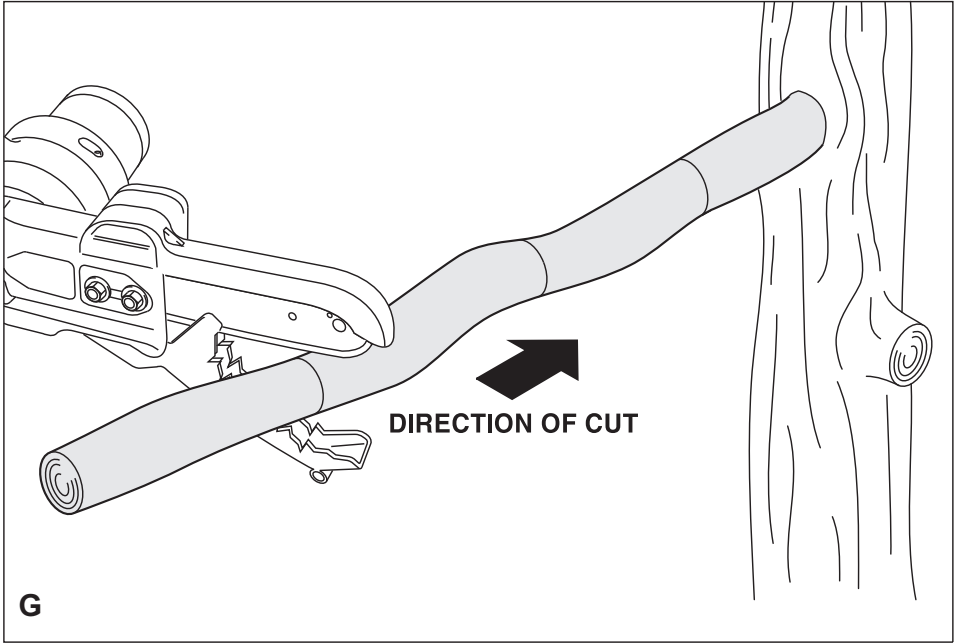
**GK1000**  
**GK1050**

<b>English</b>	<b>(Original instructions)</b>	<b>7</b>
<b>Deutsch</b>	<b>(Übersetzung der ursprünglichen Anweisungen)</b>	<b>14</b>
<b>Français</b>	<b>(Traduction des instructions initiales)</b>	<b>22</b>
<b>Italiano</b>	<b>(Traduzione del testo originale)</b>	<b>30</b>
<b>Nederlands</b>	<b>(Vertaling van de originele instructies)</b>	<b>38</b>
<b>Español</b>	<b>(Traducción de las instrucciones originales)</b>	<b>46</b>
<b>Português</b>	<b>(Tradução das instruções originais)</b>	<b>54</b>
<b>Svenska</b>	<b>(Översättning av originalanvisningarna)</b>	<b>62</b>
<b>Norsk</b>	<b>(Oversettelse av de opprinnelige instruksjonene)</b>	<b>69</b>
<b>Dansk</b>	<b>(Oversættelse af de oprindelige instruktioner)</b>	<b>76</b>
<b>Suomi</b>	<b>(Alkuperäisten ohjeiden käännös)</b>	<b>83</b>
<b>Ελληνικά</b>	<b>(Μετάφραση των πρωτότυπων οδηγιών)</b>	<b>90</b>









## Intended use

Your Black & Decker Alligator™ Lopper has been designed for trimming the branches of trees, cutting fallen branches and cutting small logs 25 mm to 100 mm in diameter while the operator is standing on the ground. This tool is intended for consumer use only.

## Safety instructions

### General power tool safety warnings



**Warning! Read all safety warnings and all instructions.** Failure to follow all instructions may result in electric shock, fire and/or serious injury.

### Save all warnings and instructions for future reference.

- a. The term "power tool" in all of the warnings listed below refers to your mains operated (corded) power tool or battery operated (cordless) power tool.
  1. **Work area safety**
    - a. **Keep work area clean and well lit.** Cluttered and dark areas invite accidents.
    - b. **Do not operate power tools in explosive atmospheres, such as in the presence of flammable liquids, gases or dust.** Power tools create sparks which may ignite the dust or fumes.
    - c. **Keep children and bystanders away while operating a power tool.** Distractions can cause you to lose control.
  2. **Electrical safety**
    - a. **Power tool plugs must match the outlet. Never modify the plug in any way. Do not use any adapter plugs with earthed (grounded) power tools.** Unmodified plugs and matching outlets will reduce risk of electric shock.
    - b. **Avoid body contact with earthed or grounded surfaces such as pipes, radiators, ranges and refrigerators.** There is an increased risk of electric shock if your body is earthed or grounded.
    - c. **Do not expose power tools to rain or wet conditions.** Water entering a power tool will increase the risk of electric shock.
    - d. **Do not abuse the cord. Never use the cord for carrying, pulling or unplugging the power tool. Keep cord away from heat, oil, sharp edges or moving parts.** Damaged or entangled cords increase the risk of electric shock.
    - e. **When operating a power tool outdoors, use an extension cord suitable for outdoor use.** Use of a cord suitable for outdoor use reduces the risk of electric shock.
  - f. **If operating a power tool in a damp location is unavoidable, use a Residual Current Device (RCD) protected supply.** Use of an RCD reduces the risk of electric shock.
3. **Personal safety**
  - a. **Stay alert, watch what you are doing and use common sense when operating a power tool. Do not use a power tool while you are tired or under the influence of drugs, alcohol or medication.** A moment of inattention while operating power tools may result in serious personal injury.
  - b. **Use personal protective equipment. Always wear eye protection.** Protective equipment such as dust mask, non-skid safety shoes, hard hat, or hearing protection used for appropriate conditions will reduce personal injuries.
  - c. **Prevent unintentional starting. Ensure the switch is in the off-position before connecting to power source and/or battery pack, picking up or carrying the tool.** Carrying power tools with your finger on the switch or energising power tools that have the switch on invites accidents.
  - d. **Remove any adjusting key or wrench before turning the power tool on.** A wrench or a key left attached to a rotating part of the power tool may result in personal injury.
  - e. **Do not overreach. Keep proper footing and balance at all times.** This enables better control of the power tool in unexpected situations.
  - f. **Dress properly. Do not wear loose clothing or jewellery. Keep your hair, clothing and gloves away from moving parts.** Loose clothes, jewellery or long hair can be caught in moving parts.
  - g. **If devices are provided for the connection of dust extraction and collection facilities, ensure these are connected and properly used.** Use of these devices can reduce dust related hazards.
4. **Power tool use and care**
  - a. **Do not force the power tool. Use the correct power tool for your application.** The correct power tool will do the job better and safer at the rate for which it was designed.
  - b. **Do not use the power tool if the switch does not turn it on and off.** Any power tool that cannot be controlled with the switch is dangerous and must be repaired.
  - c. **Disconnect the plug from the power source and/or the battery pack from the power tool before making any adjustments, changing accessories, or storing power tools.** Such preventive safety measures reduce the risk of starting the power tool accidentally.

- d. **Store idle power tools out of the reach of children and do not allow persons unfamiliar with the power tool or these instructions to operate the power tool.** Power tools are dangerous in the hands of untrained users.
- e. **Maintain power tools. Check for misalignment or binding of moving parts, breakage of parts and any other condition that may affect the power tools operation. If damaged, have the power tool repaired before use.** Many accidents are caused by poorly maintained power tools.
- f. **Keep cutting tools sharp and clean.** Properly maintained cutting tools with sharp cutting edges are less likely to bind and are easier to control.
- g. **Use the power tool, accessories and tool bits etc. in accordance with these instructions, taking into account the working conditions and the work to be performed.** Use of the power tool for operations different from those intended could result in a hazardous situation.

## 5. Service

- a. **Have your power tool serviced by a qualified repair person using only identical replacement parts.** This will make sure that the safety of the power tool is maintained.

### Additional safety instructions for the Alligator™ Lopper

**Warning!** Never use the tool above shoulder height. Always position yourself out of the path of falling branches and debris.

**Warning!** Do not use this tool to fell trees.

- ◆ Keep all parts of your body and clothing away from the saw chain at all times. Hold the tool in front of you and be aware of the saw chain position especially when cutting branches near the ground. Before you switch on make sure the saw chain is not contacting anything.
- ◆ Pre-plan a safe exit from falling branches and debris. Ensure the exit route is clear of obstacles that would prevent or hinder movement. Remember wet grass and freshly cut bark is slippery.
- ◆ Be aware of the direction that a branch may fall. Consider all conditions that may affect the direction of fall, including:
  - The intended direction of fall.
  - The natural lean of the branch.
  - Any unusual heavy limb structure or decay.
  - Surrounding trees and obstacles including overhead lines.
  - The wind speed and direction.
- ◆ The safe distance between a branch and debris to be felled and bystanders, buildings and other objects is at least 2 1/2 times the length of the branch. Any bystander, building or object within this distance is at risk from being struck by the falling branch.
- ◆ When cutting a limb that is under tension, be aware of spring-back. When the tension in the wood fibres are released the spring loaded limb may strike the operator and/or throw the tool out of control.
- ◆ Always wear suitable safety equipment such as non-skid safety shoes, hard hat, goggles, ear protection and gloves when operating the tool.
- ◆ Ensure someone is nearby (at a safe distance) in case of an accident.
- ◆ Do not attempt to operate the tool when in a tree, on a ladder or standing on any other unstable support.
- ◆ Keep proper footing and balance at all times.
- ◆ Hold the tool firmly with both hands when the motor is running.
- ◆ Keep handles dry, clean and free from oil and grease. Greasy oily handles are slippery causing loss of control.
- ◆ Do not let the moving chain contact any object at the tip of the chain guide bar.
- ◆ Keep your saw chain properly tensioned. Check tension at regular intervals with the motor stopped and cord disconnected.
- ◆ Begin and continue cutting only with the chain moving at full speed.
- ◆ Watch for shifting branches or other forces that could close a cut and pinch or fall into the chain.
- ◆ Use extreme caution when re-entering a previous cut. Engage spikes on lower jaw into wood and allow the chain to reach full speed before proceeding with cut.
- ◆ Use of this tool for operation different to those intended could result in hazardous situations. Cut wood only. Don't use this tool for purposes not intended - for example - Don't use tool for cutting plastic, masonry or non wood building materials.
- ◆ If any debris gets caught with the guard or tool discontinue use, disconnect the power cord and clear debris.
- ◆ Worn chains and chain guide bars should be replaced.
- ◆ Only use replacement bars and chains specified by the manufacturer.

### Safety of others

- ◆ This tool is not intended for use by persons (including children) with reduced physical, sensory or mental capabilities, or lack of experience and knowledge, unless they have been given supervision or instruction concerning the use of the appliance by a person responsible for their safety.
- ◆ Children should be supervised to ensure that they do not play with the appliance.

## Vibration

The declared vibration emission values stated in the technical data and the declaration of conformity have been measured in accordance with a standard test method provided by EN 60745 and may be used for comparing one tool with another. The declared vibration emission value may also be used in a preliminary assessment of exposure.

**Warning!** The vibration emission value during actual use of the power tool can differ from the declared value depending on the ways in which the tool is used. The vibration level may increase above the level stated.

When assessing vibration exposure to determine safety measures required by 2002/44/EC to protect persons regularly using power tools in employment, an estimation of vibration exposure should consider, the actual conditions of use and the way the tool is used, including taking account of all parts of the operating cycle such as the times when the tool is switched off and when it is running idle in addition to the trigger time.

## Labels on tools

The following symbols are found on your tool:



**Warning!** To reduce the risk of injury, the user must read the instruction manual.



Do not use your saw in wet conditions or expose it to rain.



Always wear head, hearing and eye protection.



Beware of falling objects.



Keep bystanders away.



Do not use on ladders.



Check the chain tension after every 10 minutes of use. Adjust back to a clearance of 3 mm.



Oil the chain after every 10 minutes of use.



**Warning!** Do not touch chain at the chipping ejection point.



Direction of travel of the chain.



Immediately disconnect the cable from the mains if it is damaged or cut.

## Electrical safety



This tool is double insulated; therefore no earth wire is required. Always check that the power supply corresponds to the voltage on the rating plate.

- ◆ If the supply cord is damaged, it must be replaced by the manufacturer or an authorised Black & Decker Service Centre in order to avoid a hazard.

## Using an extension cable

- ◆ Always use an approved extension cable suitable for the power input of this tool (see technical data). The extension cable must be suitable for outdoor use and marked accordingly. Up to 30 m of 1.5 mm<sup>2</sup> HO5VV-F extension cable can be used without loss of product performance. Before use, inspect the extension cable for signs of damage, wear and ageing. Replace the extension cable if damaged or defective. When using a cable reel, always unwind the cable completely.

## Residual risk

Despite the application of the relevant safety regulations and the implementation of safety measures, certain residual risks are inherent to the use of wood cutting saws and cannot be avoided. These are:

- ◆ Risk of injury arising from contact with moving parts, sharp parts, hot parts, branches or debris falling on the operator, bystanders or property, debris ejected by the tool.
- ◆ Risk of injury arising from un-intended use, falling from a ladder or working position in a tree, damage to the supply cable, use of the tool in wet or hazardous locations, use of the product by young children or infirm persons, failure to wear suitable personal protection or suitable clothing, breathing dust generated from cutting wood.

The above risks have been addressed by including warnings in the safety instructions and/or markings applied to the tool.

The vibration value stated in this manual is in accordance with the standardised test of EN60745. The operator should not be exposed to high levels of vibration for extended periods of time. The vibration emissions of this tool are below 5m/s and are within the limits set by 2002/44/EC for continuous operation in an 8 hour day. The actual operating conditions may vary or possibly increase the vibration level from those recorded in the standardised test.

## Features

1. Top jaw
2. Lower jaw
3. Chain guide bar
4. Oiling cover
5. On/off switch actuators
6. Chipping ejection point

## Chain tension adjustment (fig. A and B)

**Warning!** Before chain or other adjustments, make sure that the tool is switched off and unplugged.

**Warning!** The guide bar and chain may be hot after use. Allow to cool before adjustment.

The product comes ready assembled. However we recommend that you check the tension of the chain (12), and chain retention nuts before use and if required adjust.

## Checking and adjusting the chain tension (fig. A)

- ◆ To tension the chain (12) slacken the two chain cover retention nuts (7) with the spanner (9) and the chain tensioning device will push the chain guide bar (3) out, setting the correct tension. Tighten the two retention nuts (7) securely.
- ◆ Check that the correct tension has been set by lightly pulling on the chain (12). The tension is correct when the chain snaps back after being pulled 3 mm away from the guide bar (3). There should be no "sag" between the guide bar and chain on the underside.

**Note:** Do not over-tension the chain as this will lead to excessive wear and reduce the life of the chain guide bar and chain. It will also lead to reduced product performance.

**Note:** With first use and when the chain is new, check the tension frequently as a new chain stretches slightly.

**Note:** If the chain cannot be correctly tensioned, the chain may need to be replaced. Contact your nearest service centre.

## Replacing the chain and chain guide bar

After prolonged use, the chain (12) and/or chain guide bar (3) may need replacing. Ensure only Black & Decker recommended replacements are used.

## Removing the saw chain & chain guide bar (fig. A & B)

**Warning!** Always wear protective gloves when installing or removing the saw chain. The saw chain is sharp and can cut you when it is not running.

**Warning!** The guide bar and chain may be hot after use. Allow to cool before replacing.

- ◆ Place the tool on a firm surface.
- ◆ Rotate the two retention nuts (7) counter clockwise with the spanner (9) provided and remove completely.
- ◆ Remove the chain access cover (8).
- ◆ Open the handles and pull back the top jaw (1).

- ◆ Pull back the chain guide bar (3) and then lift the saw chain (12) out of the groove in the chain guide bar (3).
- ◆ Remove the chain (12) from the unit.
- ◆ Angle the chain guide bar (3) up and over the bolts.

## Assembling the chain guide bar and chain (fig. C & D)

**Warning!** Always wear protective gloves when installing or removing the saw chain. The saw chain is sharp and can cut you when it is not running.

Ensure the operation is carried out on a firm surface.

- ◆ Open the handles and pull back the top jaw (1).
- ◆ Insert the chain guide bar (3) into the space between the chain tensioner and the first bolt, angle the chain guide bar (3) down over the bolts.
- ◆ Place the chain (12) around the front of the chain guide bar (3) and engage in the nose sprocket of the chain guide bar (3).
- ◆ Pull the chain guide bar (3) and the chain (12) back, engaging it in the groove in the chain guide bar and then over the sprocket (11) positioning teeth in the correct position on the sprocket.
- ◆ Replace the chain access cover (8) and the retention nuts (7) tightening securely.

## Use

**Warning!** Let the tool work at its own pace. Do not overload.

- ◆ Carry out regular cleaning of the unit as described in the maintenance section and in particular cleaning inside the chain access cover.
- ◆ The lower jaw (2) and top jaw (1) are designed to close when one of the handles is released or when the piece of branch being cut has been cut. If this does not occur, discontinue use of the tool and remove the plug from the socket. Check if any debris is blocking movement. To help in this process it may be necessary to remove the chain access cover (8). If on assembly the problem is still present return the unit to an authorised service centre.

## Oiling (fig. E)

Before first use and every ten minutes of use you must oil the product with the correct chain oil (Cat No A6027).

- ◆ Open the oiling cover (4) and insert the oil bottle into the oil filling hole (10), apply pressure to the bottle once to dispense oil.

This should be adequate for about 10 minutes of cutting depending upon cutting speed and type of wood.

The hole feeds the oil through to the chain on to the chain guide bar (3) and an excessive amount of oil applied to the unit could mean the oil drips from the unit around the jaw area. This is normal and is nothing to be concerned about.

## Switching on and off

**Warning!** Never attempt to lock or fix a switch actuator in the on position.

For your safety, this tool is equipped with a double switching system. This system prevents starting the tool inadvertently.

### Switching on (fig. F)

- ◆ Ensure a firm grip on the handles and then squeeze both switch actuators (5) to switch the unit on.

### Switching off (fig.F)

Release either of the switch actuators (5).

**Note:** Both switch actuators must be activated for the product to be used.

Do not force the tool, allow it to do the work. It will do a better and safer job at the speed for which it is designed. Excessive force will stretch the chain.

If the saw chain or chain guide bar (3) becomes jammed:

- ◆ Switch the tool off.
- ◆ Disconnect the tool from the mains supply.
- ◆ Open the cut with wedges to relieve the strain on the chain guide bar (3). Do not try to wrench the saw free. Start a fresh cut.

### Trimming branches (fig. G)

Ensure that there are no local by-laws or regulations that would prohibit or control the trimming of the tree limbs.

Make sure the tool is running at full speed before making a cut.

- ◆ Hold the tool firmly in place to avoid possible bouncing or sideways movement of the tool.
- ◆ Guide the tool using light pressure.

Always cut down from the top. This way you will avoid pinching the saw chain.

- ◆ Remove branches as shown in fig G, starting from the branch tip, reduce the branch in logical steps cutting off small sections.
- ◆ Remove the tool from the cut while it is running at full speed.

## Maintenance

Your Black & Decker corded/cordless appliance/tool has been designed to operate over a long period of time with a minimum of maintenance. Continuous satisfactory operation depends upon proper tool care and regular cleaning.

**Warning!** Before performing any maintenance on corded/cordless power tools:

- ◆ Switch off and unplug the appliance/tool.
- ◆ Or switch off and remove the battery from the appliance/tool if the appliance/tool has a separate battery pack.

- ◆ Or run the battery down completely if it is integral and then switch off.
- ◆ Unplug the charger before cleaning it. Your charger does not require any maintenance apart from regular cleaning.

Regularly clean the ventilation slots in your appliance/tool/charger using a soft brush or dry cloth.

Regularly clean the motor housing using a damp cloth. Do not use any abrasive or solvent-based cleaner.

Regularly open the chuck and tap it to remove any dust from the interior (when fitted).

### Cleaning

- ◆ Regularly remove the chain access cover and remove any debris that has become trapped.
- ◆ Regularly clean the ventilation slots with a clean, dry paint brush.
- ◆ To clean the tool, use only mild soap and a damp cloth. Never let any liquid get inside the tool and never immerse any part of the tool into liquid.

### Oiling

- ◆ Regularly oil the oiling points (10) as indicated in fig. B.

### Transport

- ◆ Always transport the tool with the jaws closed.

### Storage

- ◆ When the tool will not be used for several months, wipe any metal components with oil.
- ◆ Store the tool in a secure and dry location. The storage temperature must always remain in the range of + 5 °C to + 40 °C. Place the product on a level safe location.

## Protecting the environment



Separate collection. This product must not be disposed of with normal household waste.

Should you find one day that your Black & Decker product needs replacement, or if it is of no further use to you, do not dispose of it with household waste. Make this product available for separate collection.



Separate collection of used products and packaging allows materials to be recycled and used again. Re-use of recycled materials helps prevent environmental pollution and reduces the demand for raw materials.

Local regulations may provide for separate collection of electrical products from the household, at municipal waste sites or by the retailer when you purchase a new product.

Black & Decker provides a facility for the collection and recycling of Black & Decker products once they have reached the end of their working life. To take advantage of this service please return your product to any authorised repair agent who will collect them on our behalf.

You can check the location of your nearest authorised repair agent by contacting your local Black & Decker office at the address indicated in this manual. Alternatively, a list of authorised Black & Decker repair agents and full details of our after-sales service and contacts are available on the Internet at: [www.2helpU.com](http://www.2helpU.com).

Technical data

		GK1000 TYPE 2	GK1050 TYPE 2
Voltage	V <sub>AC</sub>	230	230
Power input	W	550	600
Chain speed (No-load)	m/s	2.3	2.3
Maximum diameter of cut	mm	100	100
Weight	kg	3	3

Guaranteed sound pressure level measured according to EN 60745:

L<sub>pA</sub> (sound pressure) 87 dB(A), uncertainty (K) 3 dB(A)

L<sub>WA</sub> (acoustic power) 98 dB(A), uncertainty (K) 3 dB(A)

L<sub>WA</sub> (guaranteed) 105 dB(A)  
hand/arm weighted vibration 4.95 m/s<sup>2</sup>  
uncertainty (K) 1.5 dB(A)

**EC declaration of conformity**

MACHINERY DIRECTIVE  
OUTDOOR NOISE DIRECTIVE



**GK1000 GK1050**

Black & Decker declares that these products described under "technical data" are in compliance with: 2006/42/EC and EN 60745-1

2000/14/EC, Chain Saw, Annex V

Level of acoustic power according to 2000/14/EC

L <sub>WA</sub> (measured sound power)	dB	98
L <sub>WA</sub> (guaranteed sound power)	dB	101

These products also comply with Directive 2004/108/EC and 2011/65/EU.

For more information, please contact Black & Decker at the following address or refer to the back of the manual.

The undersigned is responsible for compilation of the technical file and makes this declaration on behalf of Black & Decker.

Kevin Hewitt  
Vice-President Global Engineering  
Black & Decker Europe, 210 Bath Road, Slough,  
Berkshire, SL1 3YD  
United Kingdom  
17/05/8/2012

## Guarantee

Black & Decker is confident of the quality of its products and offers an outstanding guarantee. This guarantee statement is in addition to and in no way prejudices your statutory rights. The guarantee is valid within the territories of the Member States of the European Union and the European Free Trade Area.

If a Black & Decker product becomes defective due to faulty materials, workmanship or lack of conformity, within 24 months from the date of purchase, Black & Decker guarantees to replace defective parts, repair products subjected to fair wear and tear or replace such products to ensure minimum inconvenience to the customer unless:

- ◆ The product has been used for trade, professional or hire purposes.
- ◆ The product has been subjected to misuse or neglect.
- ◆ The product has sustained damage through foreign objects, substances or accidents.
- ◆ Repairs have been attempted by persons other than authorised repair agents or Black & Decker service staff.

To claim on the guarantee, you will need to submit proof of purchase to the seller or an authorised repair agent. You can check the location of your nearest authorised repair agent by contacting your local Black & Decker office at the address indicated in this manual. Alternatively, a list of authorised Black & Decker repair agents and full details of our after-sales service and contacts are available on the Internet at:

**[www.2helpU.com](http://www.2helpU.com)**

Please visit our website **[www.blackanddecker.co.uk](http://www.blackanddecker.co.uk)** to register your new Black & Decker product and to be kept up to date on new products and special offers. Further information on the Black & Decker brand and our range of products is available at **[www.blackanddecker.co.uk](http://www.blackanddecker.co.uk)**.

## Bestimmungsgemäße Verwendung

Der Astschneider Black & Decker Alligator™ ist für den Beschnitt von Baumästen, für das Sägen von herabgefallenen Ästen und für das Sägen kleinerer Stämme mit einem Durchmesser von 25 mm bis 100 mm vorgesehen. Voraussetzung ist in jedem Fall, dass der Bediener auf dem Boden steht. Dieses Gerät ist nicht für den gewerblichen Einsatz vorgesehen.

## Sicherheitshinweise

### Allgemeine Sicherheitswarnungen für das Gerät



**Achtung! Lesen Sie sämtliche Sicherheitswarnungen und Anweisungen.** Die Nichteinhaltung der aufgeführten Anweisungen kann einen elektrischen Schlag, Brand und/oder schwere Verletzungen verursachen.

### Bewahren Sie alle Warnungen und Anweisungen gut auf.

- a. Der nachfolgend verwendete Begriff „Gerät“ bezieht sich auf netzbetriebene Geräte (mit Netzkabel) und auf akkubetriebene Geräte (ohne Netzkabel).
1. **Sicherheit im Arbeitsbereich**
    - a. **Halten Sie Ihren Arbeitsbereich sauber, und sorgen Sie für ausreichende Beleuchtung.** Unordnung und dunkle Arbeitsbereiche können zu Unfällen führen.
    - b. **Verwenden Sie die Geräte nicht in Umgebungen, in denen Explosionsgefahr z. B. aufgrund von brennbaren Flüssigkeiten, Gasen oder Staub besteht.** Geräte erzeugen Funken, die den Staub oder die Dämpfe entzünden können.
    - c. **Halten Sie Kinder und andere Personen während der Benutzung eines Geräts fern.** Bei Ablenkung können Sie die Kontrolle verlieren.
  2. **Elektrische Sicherheit**
    - a. **Der Netzstecker des Geräts muss in die Steckdose passen. Der Stecker darf in keiner Weise verändert werden. Verwenden Sie für schutzgeerdete Geräte keine Adapterstecker.** Unveränderte Stecker und passende Steckdosen verringern das Risiko eines elektrischen Schlags.
    - b. **Vermeiden Sie Körperkontakt mit geerdeten Oberflächen von Rohren, Heizungen, Herden und Kühlschränken.** Es besteht ein erhöhtes Risiko eines elektrischen Schlags, wenn Ihr Körper geerdet ist.
    - c. **Halten Sie Geräte von Regen und Feuchtigkeit fern.** Das Eindringen von Wasser in ein Gerät erhöht das Risiko eines elektrischen Schlags.
  - d. **Verwenden Sie das Kabel ordnungsgemäß. Verwenden Sie es niemals zum Tragen. Trennen Sie das Gerät nicht durch Ziehen am Kabel vom Netz. Halten Sie das Kabel fern von Hitze, Öl, scharfen Kanten oder sich bewegenden Teilen.** Beschädigte oder verwickelte Kabel erhöhen das Risiko eines elektrischen Schlags.
  - e. **Verwenden Sie nur für den Außenbereich zugelassene Verlängerungskabel, wenn Sie mit dem Gerät im Freien arbeiten.** Die Verwendung eines für den Außenbereich geeigneten Verlängerungskabels verringert das Risiko eines elektrischen Schlags.
  - f. **Wenn ein Gerät in einer feuchten Umgebung verwendet werden muss, schließen Sie es unbedingt an eine Steckdose mit Fehlerstromschutzschalter (FI-Schalter) an.** Ein Fehlerstromschutzschalter verringert das Risiko eines elektrischen Schlags.
3. **Sicherheit von Personen**
    - a. **Verwenden Sie das Gerät aufmerksam und vernünftig. Benutzen Sie das Gerät nicht, wenn Sie müde sind oder unter dem Einfluss von Drogen, Alkohol oder Medikamenten stehen.** Ein Moment der Unachtsamkeit beim Gebrauch von Geräten kann zu ernsthaften Verletzungen führen.
    - b. **Verwenden Sie eine geeignete Schutzausrüstung. Tragen Sie stets eine Schutzbrille.** Schutzausrüstung wie Staubmaske, rutschfeste Sicherheitsschuhe, Schutzhelm oder Gehörschutz, je nach Art und Einsatz des Geräts, verringert das Risiko von Verletzungen.
    - c. **Vermeiden Sie eine unbeabsichtigte Inbetriebnahme. Vergewissern Sie sich, dass das Gerät ausgeschaltet ist, bevor Sie es an eine Steckdose oder einen Akku anschließen, es hochheben oder tragen.** Durch das Tragen des Geräts mit dem Finger am Schalter oder durch das Anschließen eingeschalteter Geräte werden Unfälle provoziert.
    - d. **Entfernen Sie Einstell- oder Schraubenschlüssel, bevor Sie das Gerät einschalten.** Ein Schlüssel in einem sich drehenden Teil kann zu Verletzungen führen.
    - e. **Beugen Sie sich nicht zu weit nach vorne über. Achten Sie auf einen sicheren Stand, um in jeder Arbeitsposition das Gleichgewicht zu halten.** Dadurch können Sie das Gerät in unerwarteten Situationen besser unter Kontrolle halten.
    - f. **Tragen Sie geeignete Kleidung. Tragen Sie keine weite Kleidung oder Schmuck. Halten Sie Haare, Kleidung und Handschuhe fern von sich bewegenden Teilen.** Lockere Kleidung, Schmuck oder lange Haare können von sich bewegenden Teilen erfasst werden.

- g. Falls Vorrichtungen zum Absaugen oder Auffangen von Staub vorhanden sind, vergewissern Sie sich, dass diese angeschlossen sind und richtig verwendet werden. Diese Vorrichtungen verringern Gefährdungen durch Staub.
4. **Gebrauch und Pflege von Geräten**
- a. **Überlasten Sie das Gerät nicht. Verwenden Sie das für Ihre Arbeit passende Gerät.** Durch das Arbeiten in dem für das Gerät angegebenen Leistungsbereich erzielen Sie nicht nur optimale Ergebnisse, Sie erhöhen auch die Sicherheit.
- b. **Verwenden Sie das Gerät nicht, wenn der Ein-/Ausschalter nicht funktioniert.** Ein Gerät, das sich nicht mehr ein- oder ausschalten lässt, ist gefährlich und muss repariert werden.
- c. **Ziehen Sie den Stecker aus der Steckdose, und/oder trennen Sie das Gerät vom Akku, bevor Sie Einstellungen vornehmen, Zubehörteile wechseln oder das Gerät lagern.** Diese Vorsichtsmaßnahme verhindert den unbeabsichtigten Start des Geräts.
- d. **Bewahren Sie unbenutzte Geräte außerhalb der Reichweite von Kindern auf. Lassen Sie Geräte nicht von Personen benutzen, die damit nicht vertraut sind oder diese Anweisungen nicht gelesen haben.** Geräte sind gefährlich, wenn sie von unerfahrenen Personen benutzt werden.
- e. **Halten Sie Geräte in einem einwandfreien Zustand. Kontrollieren Sie, ob bewegliche Teile falsch ausgerichtet sind oder klemmen und ob Teile gebrochen oder so beschädigt sind, dass die Funktion des Geräts beeinträchtigt ist. Lassen Sie beschädigte Geräte vor dem Gebrauch reparieren.** Viele Unfälle haben ihre Ursache in schlecht gewarteten Geräten.
- f. **Halten Sie Schneidwerkzeuge scharf und sauber.** Sorgfältig gepflegte Schneidwerkzeuge mit scharfen Schneidkanten verklemmen sich weniger und sind leichter zu führen.
- g. **Verwenden Sie Geräte, Zubehör, Einsätze usw. entsprechend diesen Anweisungen, und berücksichtigen Sie dabei die Arbeitsbedingungen und die auszuführende Arbeit.** Der Gebrauch von Geräten für andere als die vorgesehenen Anwendungen kann zu gefährlichen Situationen führen.
5. **Service**
- a. **Lassen Sie das Gerät nur von qualifiziertem Fachpersonal und nur mit Originalersatzteilen reparieren.** Damit wird gewährleistet, dass die Sicherheit des Geräts erhalten bleibt.

### Zusätzliche Sicherheitshinweise für den Astschneider Alligator™

**Achtung!** Verwenden Sie das Gerät niemals über Schulterhöhe. Stellen Sie sich immer so auf, dass Sie nicht von herabfallenden Ästen oder Holzstücken getroffen werden können.

**Achtung!** Dieses Gerät darf nicht zum Fällen von Bäumen verwendet werden.

- ◆ Halten Sie alle Körper- und Kleidungsstücke von der Kette fern, während das Gerät in Betrieb ist. Halten Sie das Gerät vor dem Körper, und achten Sie auf die Position der Kette, insbesondere wenn Sie Äste in Bodennähe schneiden. Vergewissern Sie sich vor dem Einschalten, dass die Kette keine Gegenstände berührt.
- ◆ Planen Sie einen sicheren Fluchtweg vor herabfallenden Ästen und Holzstücken. Achten Sie darauf, dass der Fluchtweg frei von Hindernissen ist, die Ihre Bewegungsfreiheit stören könnten. Berücksichtigen Sie, dass feuchtes Gras und frisch geschnittene Baumrinde rutschig sind.
- ◆ Schätzen Sie die Richtung ab, in die ein Ast fallen kann. Berücksichtigen Sie dabei alle Faktoren, die die Fallrichtung beeinflussen können:
  - gewünschte Fallrichtung
  - wuchsbedingte Neigung des Astes
  - Morschheit oder außergewöhnlich schwere Holzstruktur
  - Bäume und Hindernisse in der Umgebung (evtl. frei verlegte Stromleitungen)
  - Windgeschwindigkeit und Windrichtung
- ◆ Der Sicherheitsabstand zwischen dem zu schneidenden Ast und Zuschauern, Gebäuden und anderen Gegenständen beträgt mindestens das 2,5-fache der Astlänge. Für Gegenstände, Gebäude und Zuschauer innerhalb dieses Abstandsereichs besteht die Gefahr, von dem herabfallenden Ast getroffen zu werden.
- ◆ Machen Sie sich beim Durchtrennen eines Astes unter Spannung auf das Zurückschnellen gefasst. Sobald die Spannung in den Holzfasern freigesetzt wird, kann der Ast den Bediener treffen und/oder gegen das Gerät schlagen und dieses außer Kontrolle bringen.
- ◆ Tragen Sie bei der Arbeit mit dem Gerät immer geeignete Schutzkleidung. Dazu gehören rutschfeste Sicherheitsschuhe, ein Schutzhelm, eine Schutzbrille, ein Gehörschutz und Handschuhe.
- ◆ Stellen Sie sicher, dass sich für den Fall eines Unfalls jemand in der Nähe befindet (jedoch in ausreichendem Sicherheitsabstand).

- Arbeiten Sie nicht mit dem Gerät, während Sie im Baum, auf einer Leiter oder einer anderen instabilen Fläche stehen.
- Achten Sie jederzeit auf einen sicheren Stand, und halten Sie jederzeit das Gleichgewicht.
- Halten Sie das Gerät fest mit beiden Händen, während der Motor läuft.
- Achten Sie darauf, dass die Griffe trocken, sauber sowie frei von Öl und Fett sind. Schmierige, ölige Griffe sind rutschig. Dadurch ist die Kontrolle über das Gerät nicht mehr gewährleistet.
- Bei laufender Kette darf die Spitze des Führungsschwerts nicht mit einem Gegenstand in Kontakt kommen.
- Die Kette muss immer richtig gespannt sein. Prüfen Sie die Kettenspannung regelmäßig bei ausgeschaltetem Motor und abgezogenem Stromkabel.
- Zu Beginn und während des Schnitts muss die Kette immer mit voller Geschwindigkeit laufen.
- Achten Sie auf die Bewegung des geschnittenen Astes und auf andere Kräfte, die dazu führen könnten, dass sich der Schnittpalt schließt und die Kette einklemmt oder dass Holz in die laufende Kette fällt.
- Arbeiten Sie mit höchster Vorsicht, wenn Sie die Säge in einen vorhandenen Schnittpalt einführen. Setzen Sie die Zacken des unteren Klauenbügels am Holz an, und warten Sie, bis die Kette ihre volle Geschwindigkeit erreicht hat, bevor Sie den Schnitt fortsetzen.
- Der Gebrauch des Gerätes für andere als die vorgesehenen Anwendungen kann zu gefährlichen Situationen führen. Schneiden Sie nur in Holz. Verwenden Sie dieses Gerät nicht zweckentfremdet. Schneiden Sie mit dem Gerät beispielsweise keinen Kunststoff, kein Mauerwerk und keine Baumaterialien, die nicht aus Holz sind.
- Wenn sich zwischen Kette und Kettenschutz oder an anderen Stellen des Geräts Späne verfangen, ziehen Sie das Stromkabel ab, und beseitigen Sie die Späne.
- Verschlissene Ketten und Führungsschwerte müssen ausgetauscht werden.
- Als Ersatzteile dürfen nur die vom Hersteller angegebenen Schwerte und Ketten verwendet werden.

## Sicherheit anderer Personen

- Dieses Gerät darf nicht von Personen (einschließlich Kindern) mit eingeschränkten körperlichen, sensorischen oder geistigen Fähigkeiten oder mangelnder Erfahrung und Wissen in Bezug auf dessen Gebrauch bedient werden, es sei denn, sie werden bei der Verwendung des Geräts von einer erfahrenen Person beaufsichtigt oder angeleitet.
- Kinder müssen beaufsichtigt werden, um sicherzustellen, dass sie nicht mit dem Gerät spielen.

## Vibration

Die in den Abschnitten „Technische Daten“ und „EU-Konformitätserklärung“ angegebenen Werte für die Vibrationsemission wurden mit einer Standard-Prüfmethode nach EN 60745 ermittelt und können zum Vergleich verschiedener Geräte herangezogen werden. Außerdem kann mit Hilfe dieses Werts die Belastung bei Verwendung des Geräts schon im Voraus eingeschätzt werden.

**Achtung!** Die bei Verwendung des Geräts auftretende Vibrationsemission hängt von der Art des Gerätegebrauchs ab und kann dementsprechend von dem angegebenen Wert abweichen. Gegebenenfalls kann die Vibration über dem angegebenen Wert liegen.

Mit Hilfe der ermittelten Werte der Vibrationsbelastung durch Elektrogeräte lassen sich Sicherheitsmaßnahmen festlegen, die gemäß 2002/44/EG zum Schutz von Personen bestimmt sind, die diese Geräte regelmäßig bei der Arbeit verwenden. Bei der Einschätzung der Vibrationsbelastung sollten die Betriebsbedingungen und die Art der Verwendung des Geräts sowie alle Schritte des Arbeitszyklus berücksichtigt werden, wozu Ruhe-, Leerlauf- und Startzeiten gehören.

## Warnsymbole am Gerät

Am Gerät sind die folgenden Symbole angebracht:



**Achtung!** Lesen Sie vor Gebrauch die Anleitung. Andernfalls besteht Verletzungsgefahr.



Verwenden Sie den Astschneider nicht in nasser Umgebung, und schützen Sie das Gerät vor Regen.



Tragen Sie stets Kopf-, Hör- und Augenschutz.



Achten Sie auf herabfallende Gegenstände. Halten Sie Zuschauer aus dem Gefahrenbereich fern.



Arbeiten Sie nicht mit dem Gerät, während Sie auf einer Leiter stehen.



Prüfen Sie die Kettenspannung nach jeweils 10 Minuten Betrieb. Stellen Sie das Spiel ggf. wieder auf 3 mm ein.



Ölen Sie die Kette nach jeweils 10 Minuten Betrieb.



**Achtung!** Greifen Sie nicht am Spanauswurf in die Kette.



Laufrichtung der Kette.



Ziehen Sie den Stecker sofort aus der Netzsteckdose, wenn das Kabel beschädigt oder durchtrennt wurde.

### Elektrische Sicherheit



Dieses Gerät ist schutzisoliert, daher ist keine Erdleitung erforderlich. Überprüfen Sie stets, ob die Netzspannung der auf dem Typenschild des Geräts angegebenen Spannung entspricht.

- ◆ Ist das Netzkabel beschädigt, muss es durch den Hersteller oder eine Black & Decker Vertragswerkstatt ausgetauscht werden, um eine mögliche Gefährdung zu vermeiden.

### Verwenden eines Verlängerungskabels

- ◆ Verwenden Sie ausschließlich geprüfte Verlängerungskabel, die für die Leistungsaufnahme dieses Geräts ausgelegt sind (siehe „Technische Daten“). Das Verlängerungskabel muss für die Verwendung im Außenbereich geeignet und entsprechend markiert sein. Es kann ein 1,5 mm<sup>2</sup>-H05VV-F-Verlängerungskabel von einer Länge von bis zu 30 m verwendet werden, ohne dass die Leistung des Geräts beeinträchtigt wird. Prüfen Sie vor der Inbetriebnahme das Netzkabel auf Verschleiß und Beschädigungen. Wechseln Sie beschädigte oder fehlerhafte Verlängerungskabel aus. Beim Verwenden einer Kabeltrommel muss das Kabel stets vollständig abgewickelt sein.

### Restrisiko

Trotz aller Sicherheitsmaßnahmen und trotz Einhaltung der einschlägigen Sicherheitsvorschriften bleibt die Verwendung von Holzsägen prinzipbedingt mit Gefahren verbunden, die sich nicht vermeiden lassen. Dies sind:

- ◆ Gefahr der Verletzung durch Kontakt mit bewegten Teilen, scharfen Teilen und heißen Teilen, durch Äste oder Späne, die auf den Bediener, auf Zuschauer oder Gebäude fallen sowie durch Späne und Splitter, die vom Gerät ausgeworfen werden.
- ◆ Gefahr der Verletzung durch unbeabsichtigten Betrieb des Gerätes, durch Herabfallen von der Arbeitsposition auf einer Leiter oder in einem Baum, durch Beschädigung des Netzkabels, Verwendung des Gerätes in nasser oder gefährlicher Umgebung, Verwendung durch Kinder oder Personen, die mit der Bedienung nicht vertraut sind, durch fehlende oder ungeeignete Arbeitsschutzmittel bzw. Arbeitskleidung sowie durch Einatmen des beim Sägen entstehenden Holzstaubs.

Die oben beschriebenen Gefahren wurden durch Warnungen in den Sicherheitshinweisen und/oder durch entsprechende Symbole und Markierungen am Gerät kenntlich gemacht.

Der in dieser Anleitung genannte Vibrationswert entspricht den Richtwerten der genormten Prüfung gemäß EN 60745. Der Bediener darf nicht für längere Zeit starken Vibrationen ausgesetzt sein. Das Vibrationsniveau dieses Geräts liegt unter 5 m/s und damit innerhalb der Grenzwerte, die in der EU-Richtlinie „Vibration“ (2002/44/EG) für die Schwingungsbelastung während des Dauerbetriebs an einem achtstündigen Arbeitstag festgelegt sind. Die tatsächlichen Betriebsbedingungen können von den Bedingungen des genormten Tests abweichen oder das Vibrationsniveau erhöhen.

### Merkmale

1. Obere Klaue
2. Untere Klaue
3. Kettenführungsschwert
4. Abdeckung für die Ölschmierung
5. Ein-/Ausschalter
6. Spanauswurf

### Einstellen der Kettenspannung (Abb. A und B)

**Achtung!** Bevor Sie Einstellungen an der Kette oder anderen Teilen vornehmen, vergewissern Sie sich, dass das Gerät ausgeschaltet ist und der Netzstecker gezogen wurde.

**Achtung!** Das Schwert und die Kette können nach Gebrauch des Geräts heiß sein. Warten Sie, bis sich diese Teile abgekühlt haben.

Das Gerät wird betriebsfertig montiert geliefert. Es empfiehlt sich jedoch, vor der ersten Verwendung die Kettenspannung (12) sowie den Sitz der Kettenarretierungsmuttern zu überprüfen und ggf. zu korrigieren.

### Prüfen und Einstellen der Kettenspannung (Abb. A)

- ◆ Um die Kette (12) zu spannen, lösen Sie mit dem Schraubenschlüssel (9) die beiden Arretierungsmuttern (7) an der Kettenschutzhaube. Die Kettenspannvorrichtung drückt das Führungsschwert (3) nach außen. Damit ergibt sich automatisch die richtige Spannung. Ziehen Sie die beiden Arretierungsmuttern (7) fest an.
- ◆ Überprüfen Sie die Kettenspannung, indem Sie die Kette (12) leicht vom Führungsschwert wegziehen. Die Spannung ist dann richtig, wenn die Kette in einem Abstand von 3 mm vom Führungsschwert (3) zurückschnappt. An der Unterseite darf zwischen Führungsschwert und Kette kein Durchhang zu sehen sein.

**Hinweis:** Überspannen Sie die Kette nicht. Dies würde den Verschleiß erhöhen und die Lebensdauer von Führungsschwert und Kette verkürzen. Außerdem würde sich dadurch die Geräteleistung verringern.

**Hinweis:** Wenn eine neue Kette die ersten Male verwendet wird, muss die Spannung häufiger geprüft werden, da sich neue Ketten etwas dehnen.

**Hinweis:** Wenn sich die Kette nicht ordnungsgemäß spannen lässt, muss diese möglicherweise ersetzt werden. Wenden Sie sich an eine Vertragswerkstatt in Ihrer Nähe.

## Austauschen der Kette und des Führungsschwerts

Nach längerem Gebrauch müssen eventuell die Kette (12) und/oder das Führungsschwert (3) erneuert werden. Verwenden Sie ausschließlich die von Black & Decker angegebenen Ersatzteile.

## Entfernen der Sägekette und des Führungsschwerts (Abb. A und B)

**Achtung!** Tragen Sie beim Aufziehen und Abnehmen der Sägekette immer Schutzhandschuhe. Die Sägekette ist scharf und kann auch in ruhendem Zustand zu Schnittverletzungen führen.

**Achtung!** Das Schwert und die Kette können nach Gebrauch des Geräts heiß sein. Warten Sie, bis sich diese Teile abgekühlt haben.

- ◆ Legen Sie das Gerät auf eine stabile Unterlage.
- ◆ Drehen Sie die beiden Arretierungsmuttern (7) mit dem mitgelieferten Schraubenschlüssel (9) gegen den Uhrzeigersinn.
- ◆ Nehmen Sie die Kettenschutzhaube ab (8).
- ◆ Öffnen Sie die Griffe, und ziehen Sie die obere Klaue (1) zurück.
- ◆ Ziehen Sie das Führungsschwert (3) zurück, und heben Sie die Sägekette (12) aus der Nut im Führungsschwert (3).
- ◆ Entfernen Sie die Kette (12) vom Gerät.
- ◆ Ziehen Sie das Führungsschwert (3) nach oben, und heben Sie dieses über die Schrauben ab.

## Anbringen des Führungsschwerts und der Kette (Abb. C und D)

**Achtung!** Tragen Sie beim Aufziehen und Abnehmen der Sägekette immer Schutzhandschuhe. Die Sägekette ist scharf und kann auch in ruhendem Zustand zu Schnittverletzungen führen.

Legen Sie das Gerät unbedingt auf eine stabile Unterlage.

- ◆ Öffnen Sie die Griffe, und ziehen Sie die obere Klaue (1) zurück.
- ◆ Setzen Sie das Führungsschwert (3) zwischen dem Kettenspanner und der ersten Schraube an, und kippen Sie das Führungsschwert (3) über die Schrauben nach unten.

- ◆ Legen Sie die Kette (12) um die Spitze des Führungsschwerts (3), und zwar so, dass die Glieder in das Kettenrad an der Spitze des Führungsschwerts (3) greifen.
- ◆ Ziehen Sie die Kette (12) und das Führungsschwert (3) zurück, und legen Sie die Kette um das Antriebskettenrad (11). Die Zähne müssen in die richtige Richtung weisen.
- ◆ Legen Sie die Kettenschutzhaube (8) wieder auf, und ziehen Sie die Arretierungsmuttern (7) fest an.

## Gebrauch

**Achtung!** Beschleunigen Sie den Arbeitsvorgang nicht mit Gewalt. Vermeiden Sie eine Überlastung des Geräts.

- ◆ Reinigen Sie das Gerät regelmäßig, wie im Abschnitt „Wartung“ beschrieben. Vergessen Sie insbesondere nicht, die Kettenschutzhaube von innen zu reinigen.
- ◆ Die untere Klaue (2) und die obere Klaue (1) schließen sich automatisch, wenn einer der Griffe losgelassen wird oder wenn ein Aststück vollkommen durchtrennt ist. Falls sich die Klauen nicht schließen sollten, stellen Sie den Gebrauch des Geräts sofort ein und ziehen das Netzkabel aus der Steckdose. Prüfen Sie, ob die Bewegung durch Ablagerungen oder Fremdkörper blockiert wird. Dafür kann es notwendig sein, die Kettenschutzhaube (8) abzunehmen. Tritt die Störung nach dem Anbringen der Kettenschutzhaube erneut auf, lassen Sie das Gerät in einer Vertragswerkstatt überprüfen.

## Ölen (Abb. E)

Bevor das Gerät das erste Mal verwendet wird, muss es mit geeignetem Kettenöl geölt werden (Katalognr. A6027). Dasselbe gilt anschließend nach jeweils 10 Minuten Betrieb.

- ◆ Öffnen Sie die Abdeckung für die Ölschmierung (4), und setzen Sie die Tülle der Ölflasche in die Befüllöffnung (10) ein. Drücken Sie dann ein Mal auf die Flasche, sodass Öl austritt.

Abhängig von der Schnittgeschwindigkeit und der Holzsorte genügt die damit eingefüllte Menge für ca. 10 Minuten.

Das Öl gelangt durch die Öffnung auf die Kette und damit auf das Führungsschwert (3). Wurde zu viel Öl eingefüllt, tropft dieses im Bereich der Klauen aus dem Gerät. Dies ist normal und verlangt keine weiteren Maßnahmen.

## Ein- und Ausschalten

**Achtung!** Versuchen Sie niemals, ein Schalterbetätigungselement in seiner Einschaltstellung zu arretieren oder zu fixieren.

Das Gerät ist zu Ihrer Sicherheit mit einer Zweihandbetätigung ausgestattet. Diese verhindert das versehentliche Einschalten.

### Einschalten (Abb. F)

- ◆ Halten Sie das Gerät mit beiden Händen an den Griffen sicher fest. Drücken Sie dann beide Schalter (5), um das Gerät einzuschalten.

### Ausschalten (Abb. F)

Lassen Sie einen der beiden Schalter (5) los.

**Hinweis:** Das Gerät läuft nur an, wenn beide Schalter gedrückt sind.

Überlasten Sie das Gerät nicht. Beschleunigen Sie den Arbeitsvorgang nicht mit Gewalt. Das Gerät funktioniert sicherer und liefert bessere Ergebnisse, wenn Sie es mit seiner konstruktionsbedingten Geschwindigkeit arbeiten lassen. Übermäßiger Krafteinsatz dehnt die Kette aus.

Falls die Kette oder das Führungsschwert (3) festklemmt:

- ◆ Schalten Sie das Gerät aus.
- ◆ Ziehen Sie den Netzstecker aus der Steckdose.
- ◆ Erweitern Sie den Schneidspalt mit Keilen, um den Druck auf das Führungsschwert (3) zu beseitigen. Versuchen Sie nicht, die Säge mit Ruck- oder Drehbewegungen frei zu bekommen. Beginnen Sie an anderer Stelle einen neuen Schnitt.

### Rückschnitt von Ästen (Abb. G)

Vergewissern Sie sich, dass der Rückschnitt von Bäumen und Gehölzen nicht durch lokale Verordnungen oder Gesetze eingeschränkt oder untersagt wird.

Vergewissern Sie sich, dass das Gerät seine volle Geschwindigkeit erreicht hat, bevor Sie die Kette ansetzen.

- ◆ Halten Sie das Gerät fest in seiner Position, um Rückschlag- und Seitwärtsbewegungen des Gerätes zu verhindern.
- ◆ Führen Sie das Gerät nur mit leichtem Druck.

Schneiden Sie immer von oben nach unten. So vermeiden Sie, dass die Kette eingeklemmt wird.

- ◆ Kürzen Sie Äste so, wie in Abbildung G dargestellt. Beginnen Sie an der Astspitze, und kürzen Sie die Länge schrittweise. Schneiden Sie dabei immer nur kleinere Stücke ab.
- ◆ Heben Sie das Gerät bei voller Kettengeschwindigkeit aus dem Schnittpalt.

### Wartung

Ihr Black & Decker Gerät (mit und ohne Netzkabel) wurde im Hinblick auf eine lange Lebensdauer und einen möglichst geringen Wartungsaufwand entwickelt. Ein dauerhafter, einwandfreier Betrieb setzt eine regelmäßige Pflege und Reinigung voraus.

**Achtung!** Vor dem Ausführen jeglicher Wartungsarbeiten an Geräten mit und ohne Netzkabel:

- ◆ Schalten Sie das Gerät aus, und ziehen Sie den Netzstecker.
- ◆ Wenn das Gerät über einen separaten Akkupack oder Akku verfügt, schalten Sie das Gerät ab, und entnehmen Sie die Batterien aus dem Gerät.
- ◆ Wenn der Akku integriert ist, entladen Sie diesen vor dem Abschalten vollständig.
- ◆ Ziehen Sie das Ladegerät aus der Netzsteckdose, bevor Sie es reinigen. Das Ladegerät benötigt keine Wartung, es sollte aber regelmäßig gereinigt werden.

Reinigen Sie regelmäßig die Lüftungsschlitze des Geräts und des Ladegeräts mit einer weichen Bürste oder einem trockenen Tuch.

Reinigen Sie das Motorgehäuse regelmäßig mit einem feuchten Tuch. Verwenden Sie keine scheuernden Reinigungsmittel oder Reinigungsmittel auf Lösungsmittelbasis.

Öffnen Sie regelmäßig das Spannfutter, und entfernen Sie durch Klopfen ggf. Staub aus dem Inneren des Geräts.

### Reinigung

- ◆ Nehmen Sie regelmäßig die Kettenschutzhaube ab, und entfernen Sie sämtliche Ablagerungen, die sich festgesetzt haben.
- ◆ Reinigen Sie die Lüftungsschlitze regelmäßig mit einem sauberen, trockenen Pinsel.
- ◆ Reinigen Sie das Gerät ausschließlich mit milder Seifenlösung und einem angefeuchteten Tuch. Achten Sie darauf, dass keine Flüssigkeit in das Gerät gelangt. Tauchen Sie kein Teil des Geräts in Flüssigkeit ein.

### Ölen

- ◆ Geben Sie regelmäßig Öl auf die Ölungspunkte (10), wie in Abbildung B dargestellt.

### Transport

- ◆ Transportieren Sie das Gerät immer mit geschlossenen Klauen.

### Aufbewahrung

- ◆ Reiben Sie alle Metallteile mit Öl ein, wenn das Gerät mehrere Monate nicht verwendet wird.
- ◆ Bewahren Sie das Gerät an einem sicheren und trockenen Ort auf. Die Temperatur am Aufbewahrungsort muss immer im Bereich von +5°C bis +40°C liegen. Legen Sie das Gerät auf einem stabilen und waagerechten Untergrund ab.

## Umweltschutz



Getrennte Entsorgung. Dieses Produkt darf keinesfalls mit dem Hausmüll entsorgt werden.

Sollten Sie Ihr Black & Decker Produkt eines Tages ersetzen oder nicht mehr benötigen, entsorgen Sie es nicht mit dem Hausmüll. Führen Sie das Produkt einer getrennten Sammlung zu.



Durch die getrennte Sammlung von ausgedienten Produkten und Verpackungsmaterialien können Rohstoffe recycelt und wiederverwendet werden. Die Wiederverwendung aufbereiteter Materialien trägt zur Vermeidung der Umweltverschmutzung bei und senkt den Rohstoffbedarf.

Die Verordnung zur Abfallentsorgung Ihrer Gemeinde sieht möglicherweise vor, dass Elektrogeräte getrennt vom Hausmüll gesammelt, an der örtlichen Abfallentsorgungseinrichtung abgegeben oder beim Kauf eines neuen Produkts vom Fachhandel zur Entsorgung angenommen werden müssen.

Black & Decker nimmt Ihre ausgedienten Black & Decker Geräte gern zurück und sorgt für eine umweltfreundliche Entsorgung bzw. Wiederverwertung. Um diese Dienstleistung in Anspruch zu nehmen, geben Sie das Gerät bitte bei einer autorisierten Reparaturwerkstatt ab, die für uns die Einsammlung übernimmt.

Bitte fragen Sie Ihre zuständige Black & Decker Niederlassung (Adresse in dieser Anleitung) nach einer Vertragswerkstatt in Ihrer Nähe. Außerdem ist eine Liste der Vertragswerkstätten und aller Kundendienststellen von Black & Decker sowie der zuständigen Ansprechpartner im Internet zu finden unter: [www.2helpU.com](http://www.2helpU.com).

### Technische Daten

		GK1000 TYP 2	GK1050 TYP 2
Spannung	$V_{AC}$	230	230
Leistungsaufnahme	$W$	550	600
Kettengeschwindigkeit (Leerlauf)	$m/s$	2.3	2.3
Maximaler Schnittdurchmesser	$mm$	100	100
Gewicht	$kg$	3	3

Garantierter Schalldruckpegel, gemessen nach EN 60745:

$L_{pA}$  (Schalldruck) 87 dB(A), Unsicherheitsfaktor (K) 3 dB(A)  
 $L_{WA}$  (Schalleistung) 98 dB(A), Unsicherheitsfaktor (K) 3 dB(A)  
 $L_{WA}$  (garantiert) 105 dB(A)  
 gewichtete Hand-Arm-Vibration: 4.95  $m/s^2$   
 Unsicherheitsfaktor (K) 1.5 dB(A)

## EU-Konformitätserklärung

MASCHINENRICHTLINIE  
 AUSSENLAUTSTÄRKERICHTLINIE



### GK1000 GK1050

Black & Decker erklärt, dass diese unter „Technische Daten“ beschriebenen Geräte übereinstimmen mit:  
 2006/42/EG und EN 60745-1

2000/14/EG, Kettensäge, Anhang V

Schallpegel gemäß 2000/14/EG

$L_{WA}$  (gemessene Schalleistung) dB 98  
 $L_{WA}$  (garantierte Schalleistung) dB 101

Diese Produkte entsprechen außerdem der Richtlinie  
 2004/108/EG und 2011/65/EG

Weitere Informationen erhalten Sie von Black & Decker unter der folgenden Adresse. Diese befindet sich auch auf der Rückseite dieser Anleitung.

Der Unterzeichnete ist verantwortlich für die Zusammenstellung der technischen Daten und gibt diese Erklärung im Namen von Black & Decker ab.

Kevin Hewitt  
 Vice-President Global Engineering  
 Black & Decker Europe, 210 Bath Road, Slough  
 Berkshire, SL1 3YD  
 Großbritannien  
 17/05/2012

## Garantie

Black & Decker vertraut auf die Qualität der eigenen Geräte und bietet dem Käufer eine außergewöhnliche Garantie. Diese Garantiezusage versteht sich unbeschadet der gesetzlichen Gewährleistungsansprüche und schränkt diese keinesfalls ein. Sie gilt in sämtlichen Mitgliedstaaten der Europäischen Union und der Europäischen Freihandelszone EFTA.

Tritt innerhalb von 24 Monaten ab Kaufdatum an einem Gerät von Black & Decker ein auf Material- oder Verarbeitungsfehler zurückzuführender Mangel auf, garantiert Black & Decker den Austausch defekter Teile, die Reparatur von Geräten mit üblichem Verschleiß bzw. den Austausch eines mangelhaften Gerätes, ohne den Kunden dabei mehr als unbedingt nötig in Anspruch zu nehmen, allerdings vorbehaltlich folgender Ausnahmen:

- ◆ wenn das Gerät gewerblich, beruflich oder im Verleihgeschäft benutzt wurde;
- ◆ wenn das Gerät missbräuchlich verwendet oder mit mangelnder Sorgfalt behandelt wurde;
- ◆ wenn das Gerät durch Fremdeinwirkung beschädigt wurde;
- ◆ wenn ein unbefugter Reparaturversuch durch anderes Personal als das einer Vertragswerkstatt oder des Black & Decker Kundendienstes unternommen wurde.

Zur Inanspruchnahme dieser Garantie ist dem Verkäufer bzw. der Vertragswerkstatt ein Kaufnachweis vorzulegen. Die Adresse der zuständigen Niederlassung von Black & Decker steht in dieser Anleitung. Dort teilt man Ihnen gerne die nächstgelegene Vertragswerkstatt mit. Außerdem ist eine Liste der Vertragswerkstätten und aller Kundendienststellen von Black & Decker sowie der zuständigen Ansprechpartner im Internet zu finden unter: **[www.2helpU.com](http://www.2helpU.com)**.

Bitte besuchen Sie unsere Website **[www.blackanddecker.de](http://www.blackanddecker.de)**, um Ihr neues Black & Decker Produkt zu registrieren. Dort erhalten Sie auch Informationen über neue Produkte und Sonderangebote. Weitere Informationen über die Marke Black & Decker und unsere Produkte finden Sie unter **[www.blackanddecker.de](http://www.blackanddecker.de)**.

## Utilisation

L'outil de coupe Alligator™ Lopper de Black & Decker est conçu pour la taille d'arbres, la découpe de branches gisantes et le débitage de petites bûches de 25 mm à 100 mm de diamètre avec l'utilisateur debout au sol. Cet outil est destiné à une utilisation exclusivement domestique.

## Consignes de sécurité

### Consignes de sécurité concernant les outils électroportatifs



**Attention ! Lisez avec attention tous les avertissements et toutes les instructions.**

Le non-respect de cette consigne peut entraîner une électrocution, un incendie et/ou de graves blessures.

### Conservez tous les avertissements et instructions pour référence ultérieure.

- a. La notion d'« outil électroportatif » mentionnée par la suite se rapporte à des outils électriques raccordés au secteur (avec câble de raccordement) ou fonctionnant avec piles (sans fil).
1. **Sécurité de la zone de travail**
    - a. **Maintenez la zone de travail propre et bien éclairée.** Un lieu de travail en désordre ou mal éclairé augmente le risque d'accidents.
    - b. **N'utilisez pas les outils électroportatifs dans un environnement présentant des risques d'explosion ni en présence de liquides, gaz ou poussières inflammables.** Les outils électroportatifs génèrent des étincelles risquant d'enflammer les poussières ou les vapeurs.
    - c. **Pendant l'utilisation d'un outil électroportatif, les enfants et autres personnes doivent rester éloignés.** En cas d'inattention, vous risquez de perdre le contrôle de l'outil.
  2. **Sécurité électrique**
    - a. **La prise de l'outil électroportatif doit être compatible avec la prise d'alimentation. Ne modifiez en aucun cas la prise. N'utilisez pas de prises d'adaptateur avec des appareils ayant une prise de terre.** Le respect de ces consignes réduit le risque de choc électrique.
    - b. **Évitez le contact physique avec des surfaces mises à la terre telles que tuyaux, radiateurs, fours et réfrigérateurs.** Le risque de choc électrique augmente si votre corps est relié à la terre.
  - c. **N'exposez pas l'outil électroportatif à la pluie ou à l'humidité.** La pénétration d'eau dans un outil électroportatif augmente le risque de choc électrique.
  - d. **Préservez le câble d'alimentation. N'utilisez pas le câble pour porter l'outil, pour l'accrocher. Ne le tirez pas pour le débrancher. Maintenez le câble éloigné des sources de chaleurs, des parties huilées, des bords tranchants ou des parties de l'appareil en rotation.** Le risque de choc électrique augmente si les câbles sont endommagés ou emmêlés.
  - e. **Si vous utilisez l'outil électroportatif à l'extérieur, utilisez une rallonge homologuée pour une utilisation à l'extérieur.** L'utilisation d'une rallonge électrique homologuée pour les travaux à l'extérieur réduit le risque de choc électrique.
  - f. **Si l'outil doit être utilisé dans un endroit humide, prenez les précautions nécessaires en utilisant un dispositif à courant résiduel (RCD).** L'utilisation d'un tel dispositif réduit les risques d'électrocution.
3. **Sécurité personnelle**
    - a. **Restez vigilant, surveillez ce que vous faites. Faites preuve de bon sens quand vous utilisez un outil électroportatif. N'utilisez pas l'outil lorsque vous êtes fatigué ou après avoir consommé de l'alcool ainsi que des médicaments.** Un moment d'inattention en utilisant l'outil peut entraîner de graves blessures.
    - b. **Portez un équipement de protection. Portez toujours des lunettes de protection.** Selon le travail à effectuer, le port d'équipement de protection tels que masque anti-poussières, chaussures de sécurité antidérapantes, casque ou protection auditive, réduit le risque de blessures.
    - c. **Évitez un démarrage imprévu. L'appareil doit être en position OFF (arrêt) avant d'effectuer le branchement à l'alimentation et/ou au bloc-batterie, de le ramasser ou de le porter.** Ne laissez pas votre doigt sur le bouton de commande en le transportant. N'alimentez pas l'outil si le bouton est activé. Ceci pourrait être à l'origine d'accident.
    - d. **Retirez les outils ou clés de réglage avant de mettre l'outil en marche.** Une clé ou un outil se trouvant sur une partie en rotation peut causer des blessures.
    - e. **Adoptez une position confortable. Adoptez une position stable et gardez votre équilibre en permanence.** Vous contrôlerez ainsi mieux l'outil dans des situations inattendues.

- f. **Portez des vêtements appropriés. Ne portez pas de vêtements amples ou de bijoux. N'approchez pas les cheveux, vêtements ou gants des parties des pièces mobiles.** Les vêtements amples, les bijoux ou les cheveux longs peuvent s'accrocher dans les pièces en mouvement.
- g. **En cas d'utilisation d'appareils servant à aspirer ou à recueillir les poussières, assurez-vous qu'ils sont correctement raccordés et utilisés.** L'utilisation de tels appareils permet de réduire les dangers liés aux poussières.
4. **Utilisation des outils électroportatifs et précautions**
- a. **Respectez la capacité de l'outil. Utilisez l'outil électroportatif approprié pour le travail à effectuer.** Avec un outil approprié, vous travaillerez mieux et en toute sécurité.
- b. **N'utilisez pas un outil électroportatif dont le bouton marche/arrêt est défectueux.** Un outil électroportatif qui ne répond pas à la commande marche/arrêt est dangereux et doit être réparé.
- c. **Retirez la prise de courant et/ou débranchez le bloc-batterie avant d'effectuer des réglages, de changer les accessoires ou de ranger l'outil.** Cette mesure de précaution empêche de mettre l'outil en marche accidentellement.
- d. **Rangez les outils électroportatifs hors de portée des enfants. Les personnes ne connaissant pas l'outil ou n'ayant pas lu ces instructions ne doivent en aucun cas l'utiliser.** Les outils électroportatifs sont dangereux lorsqu'ils sont utilisés par des personnes non initiées.
- e. **Entretenez les outils électroportatifs. Vérifiez que les parties en mouvement fonctionnent correctement et qu'elles ne sont pas coincées. Vérifiez qu'il n'y a pas de pièces cassées ou endommagées susceptibles de nuire au bon fonctionnement de l'outil. S'il est endommagé, faites réparer l'outil avant de l'utiliser.** De nombreux accidents sont la conséquence d'outils mal entretenus.
- f. **Les outils de coupe doivent toujours être aiguisés et propres.** Des outils soigneusement entretenus avec des bords tranchants bien aiguisés se coincent moins souvent et peuvent être guidés plus facilement.
- g. **Utilisez les outils électroportatifs, les accessoires, etc., en suivant ces instructions et en tenant compte des conditions de travail, ainsi que du travail à effectuer.** L'utilisation des outils électroportatifs à d'autres fins que celles prévues peut vous mettre en situation dangereuse.

## 5. Réparations

- a. **Faites réparer votre outil électroportatif uniquement par du personnel qualifié et seulement avec des pièces de rechange appropriées.** Il s'agit d'une garantie pour votre sécurité.

### Instructions de sécurité supplémentaires pour l'Alligator™ Lopper

**Attention !** N'utilisez jamais l'outil au-dessus du niveau des épaules. Veillez à ne pas vous placer sur la trajectoire de chute des branches et débris.

**Attention !** N'utilisez pas cet outil pour abattre des arbres.

- ◆ N'approchez jamais aucune partie de votre corps ni vos vêtements de la chaîne coupante. Tenez l'outil devant vous et faites attention à la position de la chaîne coupante, tout particulièrement lorsque vous coupez des branches près du sol. Avant de démarrer, assurez-vous que la chaîne coupante n'est pas au contact de quoi que ce soit.
- ◆ Prévoyez une issue en cas de chute de branches et de débris. Assurez-vous que cette issue ne contient pas d'obstacles risquant d'empêcher ou de gêner vos déplacements. N'oubliez pas que l'herbe mouillée et l'écorce fraîchement coupée sont glissantes.
- ◆ Anticipez la direction dans laquelle une branche risque de tomber. Tenez compte de toutes les conditions pouvant affecter la direction de la chute, notamment :
  - La direction de chute souhaitée.
  - L'inclinaison naturelle de la branche.
  - Toute carie ou défaut important de la structure d'une branche maîtresse.
  - Les arbres environnants et les obstacles, en particulier les lignes aériennes.
  - La vitesse et la direction du vent.
- ◆ La distance de sécurité entre une branche à couper ou à débiter et les personnes, bâtiments ou autres objets se trouvant à proximité doit être au moins égale à 2 1/2 fois la longueur de la branche. Les personnes, bâtiments ou objets se trouvant en deçà de cette distance risquent d'être heurtés par la branche tombante.
- ◆ Lorsque vous coupez une branche maîtresse sous tension, prenez garde à l'élasticité du bois. Lorsque la tension dans les fibres de bois se relâche, la branche peut frapper l'opérateur et/ou lui faire perdre le contrôle de l'outil.
- ◆ Portez toujours un équipement de sécurité approprié tel que des chaussures antidérapantes, un casque, des lunettes de sécurité, une protection auditive et des gants lorsque vous utilisez l'outil.

- ◆ Assurez-vous qu'une personne se tenant à proximité (tout en respectant les distances de sécurité) peut vous porter secours rapidement en cas d'accident.
- ◆ Ne vous placez pas dans un arbre, sur une échelle ou sur tout autre support instable pour utiliser l'outil.
- ◆ Adoptez une position stable et gardez votre équilibre en permanence.
- ◆ Tenez fermement l'outil avec les deux mains lorsque le moteur est en marche.
- ◆ Veillez à ce que les poignées soient sèches et propres, sans trace d'huile ou de graisse. Les poignées grasses sont glissantes et peuvent causer une perte de contrôle.
- ◆ Lorsque la chaîne est en mouvement, ne la laissez pas toucher d'objet à l'extrémité du guide-chaîne.
- ◆ Assurez-vous que la chaîne coupante est bien tendue. Vérifiez régulièrement la tension, moteur arrêté et câble d'alimentation débranché.
- ◆ Pour commencer la coupe et la continuer, la chaîne doit être à pleine vitesse.
- ◆ Faites attention aux branches en mouvement ou aux autres forces qui pourraient refermer une entaille et pincer ou entraver la chaîne.
- ◆ Soyez extrêmement prudent lorsque vous réinsérez la chaîne dans une entaille déjà entamée. Introduisez les dents de la mâchoire inférieure dans le bois et laissez la chaîne atteindre sa pleine vitesse avant de commencer à couper.
- ◆ Une utilisation non conforme de cet outil peut créer des situations dangereuses. Ne coupez que du bois. N'utilisez pas cet outil pour d'autres opérations que celles prescrites. Par exemple, ne l'utilisez pas pour couper du plastique ou des matériaux de construction autres que le bois.
- ◆ Si un débris se bloque dans l'habillage ou l'outil, arrêtez l'outil, débranchez le câble d'alimentation et retirez les débris.
- ◆ Remplacez toute chaîne ou guide-chaîne usé.
- ◆ N'utilisez que des pièces de remplacement prescrites par le fabricant.

## Sécurité des personnes

- ◆ Cet outil ne peut être utilisé par des personnes (y compris des enfants) ayant des capacités mentales, sensorielles ou physiques réduites, ou celles manquant d'expérience et de connaissances, à moins qu'elles ne soient encadrées ou qu'elles n'aient été formées à l'utilisation de l'appareil par une personne responsable de leur sécurité.
- ◆ Ne laissez jamais les enfants sans surveillance pour éviter qu'ils ne jouent avec cet outil.

## Vibration

La valeur des émissions de vibration déclarée dans la section Déclaration/Données techniques de conformité a été mesurée selon une méthode d'essai standard fournie par la norme EN 60745 et peut être utilisée pour comparer un outil à un autre. Elle peut aussi être utilisée pour une évaluation préliminaire à l'exposition.

**Attention !** Selon la manière dont l'outil est utilisé, la valeur des émissions de vibration pendant l'utilisation de l'outil peut être différente de la valeur déclarée. Le niveau de vibration peut augmenter au-dessus du niveau établi.

Pour évaluer l'exposition aux vibrations et déterminer les mesures de sécurité requises par la directive 2002/44/CE afin de protéger les personnes utilisant régulièrement des outils électroportatifs, il faut estimer l'exposition aux vibrations, les conditions actuelles d'utilisation et la manière dont l'outil est utilisé. Il faut aussi tenir compte de tous les éléments du cycle de fonctionnement comme la durée pendant laquelle l'outil est éteint et pendant laquelle il fonctionne au ralenti, ainsi que la durée du déclenchement.

## Étiquettes sur les outils

Votre outil est marqué des symboles suivants :



**Attention !** Pour réduire le risque de blessures, l'utilisateur doit lire le manuel d'instructions.



N'exposez pas votre tronçonneuse à la pluie ni à l'humidité.



Portez toujours casque, lunettes et protection auditive.



Attention à la chute d'objets.



Ne laissez personne s'approcher.



N'utilisez pas l'outil sur une échelle.



Vérifiez la tension de la chaîne toutes les 10 minutes. Réglez-la avec un jeu de 3 mm.



Graissez la chaîne toutes les 10 minutes.



**Attention !** Ne touchez pas la chaîne au point d'éjection des copeaux.



Sens de rotation de la chaîne.



Débranchez immédiatement le câble du secteur s'il est endommagé ou coupé.

### Sécurité électrique



Cet outil est doublement isolé. Par conséquent, aucun câble de mise à la terre n'est nécessaire. Vérifiez si l'alimentation mentionnée sur la plaque signalétique de l'outil correspond bien à la tension présente sur le lieu.

- ◆ Si le câble d'alimentation est endommagé, il doit être remplacé par le fabricant ou par un Centre de réparation agréé Black & Decker pour éviter tout risque.

### Utilisation d'une rallonge

- ◆ La rallonge utilisée doit être conforme aux normes et doit s'adapter exactement à la prise de cet outil (voir les données techniques). La rallonge doit être adaptée à une utilisation à l'extérieur et signalée comme tel. Une rallonge Black & Decker HO5VV-F de 1,5 mm<sup>2</sup> allant jusqu'à 30 m peut être utilisée sans que les performances de l'appareil ne soient limitées. Avant d'utiliser la rallonge, assurez-vous qu'elle est en bon état et récente. Si ce n'est pas le cas, remplacez-la. Si vous utilisez un dévidoir, le câble doit être complètement déroulé.

### Risque résiduel

Malgré l'application des normes de sécurité correspondantes et la mise en œuvre de mesures de sécurité, certains risques résiduels sont inhérents à l'utilisation d'une tronçonneuse et ne peuvent pas être évités. Il s'agit :

- ◆ Des risques de blessure suite à un contact avec des pièces en mouvement, tranchantes ou brûlantes, à la chute de branches ou de débris sur l'opérateur, d'autres personnes ou matériels, ou à la projection de débris par l'outil.
- ◆ Des risques de blessure suite à une utilisation non conforme, à la chute d'une échelle ou d'un poste de travail dans l'arbre, à un câble endommagé, à une utilisation dans un lieu humide ou dangereux, à une utilisation par des enfants ou des personnes déficientes, à l'absence de protection ou au port de vêtements inappropriés, ou à l'inhalation des particules générées par la coupe du bois.

Les risques susmentionnés font l'objet d'une prévention par le biais d'avertissements dans les instructions de sécurité et/ou d'un marquage sur l'outil.

La valeur de vibration indiquée dans ce manuel correspond au test de la norme EN60745. L'opérateur ne doit pas être exposé à de fortes vibrations de façon prolongée. Les vibrations produites par cet outil sont inférieures à 5 m/s et aux limites définies dans la directive 2002/44/CE pour une utilisation continue sur une journée de 8 heures. Les conditions d'utilisation réelles peuvent modifier et éventuellement augmenter le niveau de vibrations par rapport à celui mesuré lors du test.

### Éléments

1. Mâchoire supérieure
2. Mâchoire inférieure
3. Guide-chaîne
4. Couvercle de graissage
5. Déclencheurs marche/arrêt
6. Point d'éjection des copeaux

### Réglage de la tension de la chaîne (figure A et B)

**Attention !** Avant le réglage de la chaîne ou d'autres éléments, assurez-vous que l'outil est arrêté et débranché.

**Attention !** Le guide-chaîne et la chaîne peuvent être chauds après l'utilisation. Laissez-les refroidir avant de procéder au réglage.

L'outil est livré prêt à l'utilisation. Toutefois, nous vous recommandons de contrôler la tension de la chaîne (12) et des écrous de fixation avant utilisation et, le cas échéant, d'effectuer les réglages nécessaires.

### Contrôle et réglage de la tension de la chaîne (figure A)

- ◆ Pour tendre la chaîne (12), desserrez les deux écrous de fixation du capot (7) à l'aide de la clé (9). Le tendeur de chaîne pousse le guide-chaîne (3) pour obtenir la tension adéquate. Serrez fermement les deux écrous de fixation (7).
- ◆ Vérifiez si la tension est correcte en tirant légèrement sur la chaîne coupante (12). La tension est correcte si la chaîne se remet automatiquement en place lorsque vous l'éloignez de 3 mm du guide-chaîne (3). La chaîne ne doit pas pendre en dessous.

**Remarque :** veillez à ne pas trop tendre la chaîne coupante. Cela aurait pour effet une usure excessive et une réduction de la durée de vie du guide-chaîne et de la chaîne. Une autre conséquence négative serait la baisse de performance.

**Remarque :** lors de la première utilisation et lorsque la chaîne est neuve, contrôlez fréquemment la tension car une chaîne neuve a tendance à se détendre légèrement.

**Remarque :** s'il est impossible de tendre correctement la chaîne, il faut la remplacer. Contactez le centre de réparation le plus proche.

## Remplacement de la chaîne et du guide-chaîne

Après une utilisation prolongée, le remplacement de la chaîne (12) et/ou du guide-chaîne (3) peut s'avérer nécessaire. N'utilisez que des pièces de remplacement recommandées par Black & Decker.

### Retrait de la chaîne coupante et du guide-chaîne (figure A et B)

**Attention !** Portez toujours des gants de protection lors de l'installation ou du retrait de la chaîne coupante. Celle-ci est très affûtée et peut vous couper, même à l'arrêt.

**Attention !** Le guide-chaîne et la chaîne peuvent être chauds après l'utilisation. Laissez-les refroidir avant de procéder au remplacement.

- ◆ Placez l'outil sur une surface stable.
- ◆ Dévissez les deux écrous de fixation (7) avec la clé (9) fournie, puis retirez-les.
- ◆ Retirez le couvercle d'accès à la chaîne (8).
- ◆ Écartez les poignées, puis tirez la mâchoire supérieure (1) vers l'arrière.
- ◆ Tirez le guide-chaîne (3) vers l'arrière, puis sortez la chaîne coupante (12) de la rainure du guide-chaîne (3).
- ◆ Retirez la chaîne (12) de l'outil.
- ◆ Le guide-chaîne (3) peut alors être retiré des boulons.

### Assemblage du guide-chaîne et de la chaîne (figure C et D)

**Attention !** Portez toujours des gants de protection lors de l'installation ou du retrait de la chaîne coupante. Celle-ci est très affûtée et peut vous couper, même à l'arrêt.

Procédez sur une surface stable.

- ◆ Écartez les poignées, puis tirez la mâchoire supérieure (1) vers l'arrière.
- ◆ Insérez le guide-chaîne (3) entre le tendeur de chaîne et le premier boulon, puis rabattez le guide-chaîne (3) sur les boulons.
- ◆ Placez la chaîne (12) autour de la partie avant du guide-chaîne (3), puis insérez-la dans le pignon de renvoi du guide-chaîne (3).
- ◆ Tirez le guide-chaîne (3) et la chaîne (12) vers l'arrière en maintenant cette dernière dans la rainure du guide-chaîne. Faites passer la chaîne au-dessus du pignon (11) en présentant les dents dans la bonne direction.
- ◆ Remplacez le panneau d'accès à la chaîne (8) et serrez bien les écrous de fixation (7).

## Utilisation

**Attention !** Laissez l'outil fonctionner à sa propre vitesse. Ne le poussez pas au-delà de sa limite.

- ◆ Nettoyez régulièrement l'unité conformément aux instructions de la section relative à l'entretien. Prêtez une attention particulière au nettoyage de la face intérieure du panneau d'accès à la chaîne.
- ◆ La mâchoire inférieure (2) et la mâchoire supérieure (1) sont conçues pour se fermer lorsque l'une des poignées est relâchée ou lorsque la branche à sectionner est coupée. Si elles ne se referment pas, cessez d'utiliser l'outil et débranchez-le. Vérifiez l'éventuelle présence de débris pouvant entraver leurs mouvements. Pour faciliter cette opération, il est possible de retirer le couvercle d'accès à la chaîne (8). Si le problème persiste après le réassemblage, retournez l'outil à un centre de réparation agréé.

### Graissage (figure E)

Avant la première utilisation, puis toutes les dix minutes d'utilisation, lubrifiez la chaîne à l'aide de la graisse appropriée (Cat No A6027).

- ◆ Ouvrez le couvercle de graissage (4) et insérez la burette dans l'orifice de remplissage (10).  
Pressez la burette pour injecter une dose d'huile.

Cette dose doit suffire pour environ 10 minutes de coupe, en fonction de la vitesse de coupe et du type de bois.

L'huile est ainsi acheminée de la chaîne sur le guide-chaîne (3). Le trop plein peut s'écouler autour des mâchoires. Cela est tout à fait normal et ne présente aucun risque.

### Mise en marche et arrêt

**Attention !** N'essayez jamais de bloquer ou de fixer une commande en position marche.

Pour votre sécurité, cet outil est équipé d'un système à double commande permettant de prévenir tout démarrage accidentel.

### Démarrage (figure F)

- ◆ Tenez fermement les poignées, puis serrez les deux déclencheurs marche-arrêt (5) pour démarrer l'outil.

### Arrêt (figure F)

Relâchez l'un des déclencheurs marche-arrêt.

**Remarque :** les deux déclencheurs doivent être activés simultanément pour permettre l'utilisation de l'appareil.

Respectez la capacité de l'outil. Laissez-le fonctionner normalement. Il sera plus efficace et garantira une meilleure sécurité en fonctionnant à la vitesse pour laquelle il est conçu. Vous risquez de détendre la chaîne en forçant sur l'appareil.

En cas de blocage de la chaîne coupante ou du guide-chaîne (3) :

- ◆ Arrêtez l'outil.
- ◆ Débranchez-le du secteur.
- ◆ Écartez l'entaille à l'aide de coins pour libérer le guide-chaîne (3). N'essayez pas de dégager l'outil par la force. Démarrez une nouvelle coupe.

### Taille des branches (figure G)

Assurez-vous que la législation ou les réglementations locales n'interdisent ou ne limitent pas l'élagage.

Assurez-vous que l'outil fonctionne à pleine vitesse avant de commencer une coupe.

- ◆ Maintenez fermement l'outil afin d'éviter tout effet de retour ou mouvement latéral.
- ◆ Guidez l'outil par pressions légères.

Coupez toujours de haut en bas. Cela permet d'éviter le pincement de la chaîne coupante.

- ◆ Débitez les branches comme illustré à la figure G, par petites sections depuis l'extrémité de la branche.
- ◆ Retirez l'outil de l'entaille pendant qu'il fonctionne à pleine vitesse.

### Entretien

Votre appareil/outil sans fil/avec fil Black & Decker a été conçu pour fonctionner pendant longtemps avec un minimum d'entretien. Un fonctionnement continu satisfaisant dépend d'un nettoyage régulier et d'un entretien approprié de l'outil.

**Attention !** À ne pas oublier avant l'entretien des appareils électriques sans fil/avec fil :

- ◆ Arrêtez l'appareil/outil, puis débranchez-le.
- ◆ Ou, arrêtez l'appareil et retirez la batterie de l'appareil/outil si celui-ci est muni d'un bloc-batterie séparé.
- ◆ Ou bien déchargez complètement la batterie si elle est intégrée au système, puis arrêtez l'appareil (position Off).
- ◆ Débranchez le chargeur avant de le nettoyer. Aucun entretien particulier n'est nécessaire pour le chargeur en dehors du nettoyage régulier.

Nettoyez régulièrement les orifices de ventilation de votre appareil/outil/chargeur à l'aide d'une brosse souple ou d'un chiffon sec.

Nettoyez régulièrement le compartiment du moteur à l'aide d'un chiffon humide. N'utilisez pas de produit abrasif ou à base de solvant.

Ouvrez régulièrement le mandrin et retirez la poussière à l'intérieur en le tapant (si installé).

### Nettoyage

- ◆ Retirez régulièrement le panneau d'accès à la chaîne et éliminez les débris.
- ◆ Nettoyez régulièrement les orifices de ventilation à l'aide d'une brosse sèche et propre.
- ◆ Pour nettoyer l'outil, utilisez exclusivement du savon doux et un chiffon humide. Évitez toute pénétration de liquide dans l'outil et ne plongez aucune pièce dans du liquide.

### Graissage

- ◆ Graissez régulièrement les points de graissage (10), comme illustré à la figure B.

### Transport

- ◆ Transportez toujours l'outil avec les mâchoires en position fermée.

### Stockage

- ◆ Lorsque l'outil n'est pas utilisé pendant plusieurs mois, appliquez une fine couche d'huile sur les éléments métalliques.
- ◆ Rangez-le en lieu sûr et à l'abri de l'humidité. La température de stockage doit toujours être comprise entre + 5 °C et + 40 °C. Placez l'outil sur une surface plane, en lieu sûr.

### Protection de l'environnement



Recyclage. Cet appareil ne doit pas être jeté avec les déchets ménagers.

Si votre outil Black & Decker doit être remplacé ou si vous ne l'utilisez plus, ne le jetez pas avec les ordures ménagères. Songez à la protection de l'environnement et recyclez-le.



La collecte séparée des produits et des emballages usagés permet de recycler et de réutiliser des matériaux. La réutilisation de matériaux recyclés évite la pollution de l'environnement et réduit la demande de matières premières.

Des réglementations locales peuvent stipuler la collecte séparée des produits électriques et des produits ménagers, dans des déchetteries municipales ou par le revendeur lorsque vous achetez un nouveau produit.

Black & Decker offre une solution permettant de recycler les produits Black & Decker lorsqu'ils ont atteint la fin de leur cycle de vie. Pour pouvoir profiter de ce service, veuillez retourner votre produit à un réparateur agréé qui se chargera de le collecter pour nous.

Pour connaître l'adresse du réparateur agréé le plus proche de chez vous, contactez le bureau Black & Decker à l'adresse indiquée dans ce manuel. Vous pourrez aussi trouver une liste de réparateurs agréés de Black & Decker et de plus amples détails sur notre service après-vente sur le site Internet à l'adresse suivante : [www.2helpU.com](http://www.2helpU.com).

#### Caractéristiques techniques

		GK1000	GK1050
		TYPE 2	TYPE 2
Tension	$V_{AC}$	230	230
Puissance	W	550	600
Vitesse de la chaîne (sans charge)	m/s	2.3	2.3
Diamètre maximal de coupe	mm	100	100
Poids	kg	3	3

Niveau de pression sonore garanti, en fonction de la norme EN 60745 :

$L_{pA}$  (pression sonore) 87 dB(A), incertitude (K) 3 dB(A)  
 $L_{wA}$  (puissance acoustique) 98 dB(A), incertitude (K) 3 dB(A)  
 $L_{wA}$  (garantie) 105 dB(A),  
 vibration pondérée sur la main/le bras : 4.95 m/s<sup>2</sup>  
 incertitude (K) 1.5 dB(A)

## Déclaration de conformité CE

CONSIGNES DE MACHINERIE  
 CONSIGNES NUISANCES SONORES EXTÉRIEURES



### GK1000 GK1050

Black & Decker confirme que les produits décrits dans les « Données techniques » sont conformes aux normes : 2006/42/CE et EN 60745-1

2000/14/CE, Tronçonneuse, Annexe V

Niveau de pression sonore, en fonction de la norme 2000/14/CE

$L_{wA}$ (puissance sonore mesurée)	dB	98
$L_{wA}$ (puissance sonore garantie)	dB	101

Ces produits sont conformes aux normes 2004/108/CE et 6011/65CE.

Pour plus de détails, veuillez contacter Black & Decker à l'adresse suivante ou reportez-vous au dos du manuel.

Le soussigné est responsable des données de la fiche technique et fait cette déclaration au nom de Black & Decker.

Kevin Hewitt

Vice-Président - ingénierie internationale  
 Black & Decker Europe, 210 Bath Road, Slough,  
 Berkshire, SL1 3YD  
 Royaume-Uni  
 17/05/2012

## Garantie

Black & Decker assure la qualité de ses produits et vous offre une garantie très élargie. Ce certificat de garantie est un document supplémentaire et ne peut en aucun cas se substituer à vos droits légaux. La garantie est valable sur tout le territoire des États Membres de l'Union Européenne et de la Zone de Libre Échange Européenne.

Si un produit Black & Decker s'avère défectueux en raison de matériaux en mauvaises conditions, d'une erreur humaine, ou d'un manque de conformité dans les 24 mois suivant la date d'achat, Black & Decker garantit le remplacement des pièces défectueuses, la réparation des produits usés ou cassés ou remplace ces produits à la convenance du client, sauf dans les circonstances suivantes :

- ◆ Le produit a été utilisé dans un but commercial, professionnel ou a été loué.
- ◆ Le produit a été mal utilisé ou mal entretenu.
- ◆ Le produit a subi des dommages à cause de corps étrangers, de substances ou d'accidents.
- ◆ Des réparations ont été tentées par des techniciens ne faisant pas partie du service technique de Black & Decker.

Pour avoir recours à la garantie, il est nécessaire de fournir une preuve d'achat au vendeur ou à un réparateur agréé. Pour connaître l'adresse du réparateur agréé le plus proche de chez vous, contactez le bureau Black & Decker à l'adresse indiquée dans ce manuel. Vous pourrez aussi trouver une liste de réparateurs agréés de Black & Decker et de plus amples détails sur notre service après-vente sur le site Internet à l'adresse suivante : **[www.2helpU.com](http://www.2helpU.com)**

Visitez notre site Web **[www.blackanddecker.fr](http://www.blackanddecker.fr)** pour enregistrer votre nouveau produit Black & Decker et être informé des nouveaux produits et des offres spéciales. Pour plus d'informations concernant la marque Black & Decker et notre gamme de produits, consultez notre site **[www.blackanddecker.fr](http://www.blackanddecker.fr)**.

## Uso previsto

Il potatore Black & Decker Alligator™ è concepito per il taglio di rami dagli alberi, di rami caduti a terra e di piccoli tronchi di diametro compreso tra i 25 e i 100 mm, con l'operatore in piedi a terra. L'elettrotensile è stato progettato solo per uso privato.

## Istruzioni di sicurezza

### Avvisi di sicurezza generici per gli elettrotensili



**Attenzione! Leggere tutti gli avvisi di sicurezza e tutte le istruzioni.** La mancata osservanza di tutte le istruzioni potrebbe causare scosse elettriche, incendi e/o infortuni gravi.

### Conservare tutte le istruzioni e gli avvisi per futura consultazione.

- a. Il termine "elettrotensile" che ricorre in tutti gli avvisi seguenti si riferisce ad utensili elettrici con o senza filo.
1. **Sicurezza nella zona di lavoro**
    - a. **Tenere la zona di lavoro pulita e ben illuminata.** Disordine e scarsa illuminazione possono causare incidenti.
    - b. **Evitare d'impiegare gli elettrotensili in ambienti esposti al rischio di esplosione, ad esempio in presenza di liquidi, gas o polveri infiammabili.** Gli elettrotensili producono scintille che possono far infiammare la polvere o i fumi.
    - c. **Mantenere lontani bambini e astanti mentre si usa l'elettrotensile.** Eventuali distrazioni possono comportare la perdita del controllo dell'elettrotensile.
  2. **Sicurezza elettrica**
    - a. **Le spine elettriche degli elettrotensili devono essere adatte alla presa. Evitare assolutamente di modificare la spina elettrica. Non usare adattatori con elettrotensili provvisti di messa a terra.** L'uso di spine inalterate e delle prese corrispondenti riduce il rischio di scosse elettriche.
    - b. **Evitare il contatto fisico con superfici collegate a terra, come tubi, radiatori, forni e frigoriferi.** Un corpo collegato a terra è esposto maggiormente al rischio di scosse elettriche.
    - c. **Custodire gli elettrotensili al riparo dalla pioggia o dall'umidità.** L'eventuale infiltrazione di acqua in un elettrotensile va ad aumentare il rischio di scosse elettriche.
    - d. **Non utilizzare il cavo in modo improprio. Non usare il cavo per trasportare o trainare l'elettrotensile e non tirarlo per estrarre la spina dalla presa di corrente. Mantenere il cavo al riparo da calore, olio, bordi taglienti e/o da parti in movimento.** I cavi danneggiati o aggrovigliati aumentano il rischio di scosse elettriche.
  - e. **Se l'elettrotensile viene adoperato all'aperto, usare esclusivamente prolunghe omologate per l'impiego all'esterno.** Un cavo adatto per uso esterno riduce il rischio di scosse elettriche.
  - f. **Se non è possibile evitare di lavorare in una zona umida, usare un'alimentazione elettrica protetta da un dispositivo a corrente residua (RCD).** L'uso di un dispositivo RCD riduce il rischio di scosse elettriche.
3. **Sicurezza delle persone**
    - a. **È importante concentrarsi su ciò che si sta facendo e maneggiare con giudizio l'elettrotensile. Non adoperare l'elettrotensile se si è stanchi o sotto l'effetto di stupefacenti, alcol o medicinali.** Un attimo di distrazione durante l'uso dell'elettrotensile può causare gravi infortuni personali.
    - b. **Utilizzare un equipaggiamento di protezione personale. Indossare sempre occhiali di sicurezza.** Se si avrà cura d'indossare l'equipaggiamento protettivo necessario, ad esempio una maschera antipolvere, delle calzature antiscivolo, un casco o delle otoprotezioni, si ridurrà il rischio di infortuni.
    - c. **Impedire l'avviamento involontario. Accertarsi che l'interruttore di accensione sia spento prima di collegare l'elettrotensile all'alimentazione elettrica e/o al battery pack, di prenderlo in mano o di trasportarlo.** Per non esporsi al rischio di incidenti, non trasportare gli elettrotensili tenendo le dita sull'interruttore oppure, se sono collegati a un'alimentazione elettrica, con l'interruttore acceso.
    - d. **Prima di accendere un elettrotensile, togliere eventuali chiavi o attrezzi di regolazione.** Un attrezzo o una chiave lasciati in un componente mobile dell'elettrotensile possono causare infortuni.
    - e. **Non piegarsi eccessivamente in avanti. Mantenere sempre un buon equilibrio evitando posizioni instabili.** In questo modo è possibile controllare meglio l'elettrotensile in situazioni inaspettate.
    - f. **Vestirsi adeguatamente. Evitare di indossare indumenti larghi o gioielli. Tenere capelli, capi di vestiario e guanti lontani da parti in movimento.** Indumenti larghi, gioielli o capelli lunghi possono impigliarsi nelle parti in movimento.
    - g. **Se gli elettrotensili sono provvisti di attacchi per il collegamento di dispositivi di aspirazione o di raccolta della polvere, assicurarsi che questi siano installati e utilizzati correttamente.** L'impiego di tali dispositivi può ridurre i rischi correlati alle polveri.

#### 4. Uso e cura degli elettroutensili

- a. **Non sovraccaricare l'elettroutensile. Usare l'elettroutensile adatto al lavoro da eseguire.**  
Utilizzando l'elettroutensile adatto si potrà lavorare meglio e con maggiore sicurezza alla potenza nominale prevista.
- b. **Non utilizzare elettroutensili con interruttori difettosi.** Un elettroutensile che non può essere controllato mediante l'interruttore è pericoloso e deve essere riparato.
- c. **Scollegare la spina dalla presa di corrente e/o il battery pack dall'elettroutensile prima di regolarlo, di sostituire gli accessori o di riparlo.** Queste precauzioni di sicurezza riducono la possibilità che l'elettroutensile sia messo in funzione inavvertitamente.
- d. **Quando non sono usati, gli elettroutensili devono essere custoditi fuori della portata dei bambini. Non consentire l'uso dell'elettroutensile a persone inesperte o che non abbiano letto le presenti istruzioni.** Gli elettroutensili risultano pericolosi se usati da persone inesperte.
- e. **Sottoporre gli elettroutensili alle necessarie procedure di manutenzione. Verificare che le parti mobili siano bene allineate e non inceppate, che non vi siano componenti rotti e che non sussistano altre condizioni che possono compromettere il funzionamento dell'elettroutensile. In caso di danni, riparare l'elettroutensile prima dell'uso.** La scarsa manutenzione causa molti incidenti.
- f. **Mantenere affilati e puliti gli utensili da taglio.**  
Se sottoposti alla giusta manutenzione, gli utensili da taglio con taglienti affilati s'inceppano meno frequentemente e sono più facili da manovrare.
- g. **Utilizzare l'elettroutensile, gli accessori e le punte in conformità alle presenti istruzioni, tenendo conto delle condizioni di lavoro e del lavoro da eseguire.**  
L'impiego dell'elettroutensile per usi diversi da quelli consentiti può dar luogo a situazioni pericolose.
5. **Riparazioni**
- a. **Fare riparare l'elettroutensile solo ed esclusivamente da personale specializzato e solo impiegando pezzi di ricambio originali, onde garantire la sicurezza.**

#### Altre precauzioni di sicurezza per il potatore Alligator™

**Attenzione!** Non utilizzare mai l'elettroutensile al di sopra dell'altezza delle spalle. L'operatore deve sempre posizionarsi al riparo dalla caduta dei rami e dei frammenti di legno.

**Attenzione!** Non utilizzare l'elettroutensile per abbattere alberi.

- ◆ Mantenere sempre lontani dalla catena del potatore tutte le parti del corpo e i capi di vestiario. Tenere l'elettroutensile davanti a sé e controllare la posizione della catena del potatore, in particolare quando si tagliano rami vicini al suolo. Prima di accendere l'elettroutensile, assicurarsi che la catena del potatore non sia a contatto di alcun elemento.
- ◆ Pianificare in anticipo una via di fuga sicura per evitare la caduta di rami e frammenti di legno. Assicurarsi che il percorso di fuga sia libero da ostacoli che possono impedire o intralciare il movimento. Ricordare che l'erba umida e la corteccia appena tagliata sono scivolose.
- ◆ Essere consapevoli della direzione in cui un ramo può cadere. Tenere conto di tutto ciò che può influire sulla direzione di caduta, tra cui:
  - La direzione di caduta desiderata.
  - L'inclinazione naturale del ramo.
  - L'eventuale peso insolito del ramo e la possibilità che questo sia secco o marcio.
  - Gli alberi e gli ostacoli circostanti, comprese le linee elettriche aeree.
  - La velocità e direzione del vento.
- ◆ La distanza di sicurezza tra un ramo da abbattere e gli osservatori, eventuali edifici e altri oggetti, è pari ad almeno due volte e mezza la lunghezza del ramo stesso. Eventuali osservatori, edifici o oggetti entro tale distanza rischiano di essere colpiti dal ramo in caduta.
- ◆ Se si taglia un ramo sotto tensione, prestare attenzione all'effetto "molla". Quando la tensione nelle fibre del legno viene rilasciata, il ramo caricato come una molla può colpire l'operatore e/o fargli perdere il controllo dell'elettroutensile.
- ◆ Indossare sempre un adeguato equipaggiamento di sicurezza, come scarpe di sicurezza antiscivolo, casco, occhiali di protezione, otoprotezioni e guanti quando si utilizza l'elettroutensile.
- ◆ Accertarsi che sia presente un'altra persona (a distanza di sicurezza) in caso di incidente.
- ◆ Non tentare di utilizzare l'elettroutensile stando in equilibrio sull'albero, su una scala o su qualsiasi altro supporto instabile.
- ◆ Mantenere sempre un buon equilibrio evitando posizioni instabili.
- ◆ Tenere saldamente l'elettroutensile con entrambe le mani quando il motore è in funzione.
- ◆ Mantenere i manici asciutti, puliti e privi di olio o grasso. La presenza di olio sui manici può renderli scivolosi e causare la perdita di controllo dell'elettroutensile.

- ◆ Non lasciare che la catena in movimento tocchi alcun oggetto in prossimità della punta della barra di guida della catena.
- ◆ Mantenere la catena del potatore correttamente tesa. Controllare la tensione a intervalli regolari, con il motore fermo e il cavo di alimentazione scollegato.
- ◆ Iniziare e continuare un taglio solo con la catena alla massima velocità.
- ◆ Prestare attenzione allo spostamento di rami e ad altre forze che possono chiudere il taglio e bloccare o rallentare la catena.
- ◆ Utilizzare estrema cautela quando si reinserisce il potatore in un taglio precedentemente iniziato. Inserire i denti sulla ganascia inferiore della lama nel legno e attendere che la catena raggiunga la massima velocità prima di procedere con il taglio.
- ◆ L'impiego dell'elettrotensile per usi diversi da quelli consentiti può dar luogo a situazioni di pericolo. Tagliare solo il legno. Non utilizzare l'elettrotensile per scopi non previsti: ad esempio per tagliare plastica, muratura o materiali da costruzione non legnosi.
- ◆ In caso di penetrazione di frammenti all'interno della protezione o dell'elettrotensile, interromperne il funzionamento, scollegarne il cavo di alimentazione e rimuovere i frammenti.
- ◆ Sostituire le catene e relative barre di guida se usurate.
- ◆ Utilizzare solamente le barre e le catene di ricambio indicate dal fabbricante.

## Sicurezza altrui

- ◆ Questo elettrotensile non è stato progettato per impiego da parte di persone (o bambini) portatrici di handicap fisici, psichici o sensoriali o che non abbiano la dovuta esperienza o conoscenza, a meno che non siano seguite o opportunamente istruite sul suo impiego da parte di una persona responsabile della loro sicurezza.
- ◆ Controllare che i bambini non giochino con l'elettrotensile.

## Vibrazioni

I valori dichiarati delle emissioni di vibrazioni al paragrafo Dati tecnici e nella Dichiarazione di conformità del presente manuale sono stati misurati in base al metodo di test standard previsto dalla normativa EN 60745 e possono essere usati come parametri di confronto tra due utensili. Il valore delle emissioni di vibrazioni dichiarato può anche essere usato come valutazione preliminare dell'esposizione.

**Attenzione!** Il valore delle emissioni di vibrazioni durante l'impiego effettivo dell'elettrotensile può variare da quello dichiarato a seconda delle modalità d'uso. Il livello delle vibrazioni può aumentare oltre quello dichiarato.

Quando si valuta l'esposizione alle vibrazioni per determinare le misure di sicurezza richieste, in conformità alla normativa 2002/44/CE e destinata alla protezione delle persone che usano regolarmente gli elettrotensili nello svolgimento delle proprie mansioni, è necessario prendere in considerazione le condizioni effettive di utilizzo e il modo in cui l'utensile è usato, oltre a tenere presenti tutte le componenti del ciclo operativo, vale a dire i periodi in cui l'elettrotensile è spento, quelli in cui è acceso, ma a riposo e quelli in cui è effettivamente utilizzato.

## Etichette sugli elettrotensili

Sull'elettrotensile sono presenti i seguenti simboli:



**Attenzione!** Per ridurre il rischio di infortuni, l'utente deve leggere il manuale d'uso.



Non utilizzare il potatore in presenza di forte umidità o sotto la pioggia.



Indossare sempre protezioni per la testa, per l'udito e per la vista.



Fare attenzione alla caduta di oggetti.



Mantenere distanti eventuali osservatori.



Non utilizzare l'elettrotensile stando in piedi su una scala.



Controllare la tensione della catena ogni 10 minuti di utilizzo. Regolare per una tolleranza massima di 3 mm.



Lubrificare la catena ogni 10 minuti di utilizzo.



**Attenzione!** Non toccare la catena in prossimità del punto di espulsione dei trucioli.



Direzione di scorrimento della catena.



Scollegare immediatamente il cavo dall'alimentazione elettrica se danneggiato o tagliato.

## Sicurezza elettrica



Il doppio isolamento di cui è provvisto l'elettrotensile rende superfluo il filo di terra. Controllare sempre che l'alimentazione corrisponda alla tensione indicata sulla targhetta dei dati tecnici.

- ◆ In caso di danneggiamento del filo di alimentazione, è necessario farlo riparare dal fabbricante o presso un centro assistenza Black & Decker autorizzato in modo da evitare eventuali pericoli.

#### Utilizzo di un cavo di prolunga

- ◆ Usare sempre un cavo di prolunga di tipo omologato, idoneo all'assorbimento di corrente di questo elettroutensile (vedere i dati tecnici). Il cavo di prolunga deve essere idoneo per impiego all'esterno e deve essere opportunamente contrassegnato. È possibile usare un cavo di prolunga lungo fino a 30 m con diametro di 1,5 mm<sup>2</sup> HO5VV-F senza perdita alcuna delle prestazioni del prodotto. Prima dell'impiego, ispezionare il cavo di prolunga per accertarsi che non presenti segni di danni, usura o invecchiamento. Sostituire il cavo di prolunga se è danneggiato o difettoso. Se si usa un mulinello, svolgere sempre completamente il cavo.

#### Rischio residuo

Malgrado l'applicazione dei regolamenti di sicurezza inerenti e la messa in opera di misure di sicurezza, determinati rischi residui sono connessi all'utilizzo di seghe per il taglio del legno e non possono essere evitati. Tali rischi sono elencati di seguito.

- ◆ Pericolo di lesioni dovute a contatto con parti in movimento, parti affilate, parti surriscaldate, caduta di rami o frammenti sull'operatore, sugli osservatori o sugli oggetti, proiezione di frammenti da parte dell'elettroutensile.
- ◆ Pericolo di lesioni dovute a utilizzo non previsto, caduta da scale o da posizioni di lavoro su un albero, danni al cavo di alimentazione, utilizzo dell'elettroutensile in località soggette a umidità o altrimenti pericolose, mancato utilizzo di protezioni personali o di abbigliamento adeguato, inalazione della polvere generata dal taglio del legno.

I rischi summenzionati sono stati esposti in modo esplicito con avvertimenti nelle istruzioni di sicurezza e/o con etichette affisse sull'elettroutensile.

Il valore delle vibrazioni dichiarato nel presente manuale è conforme alla prova standard della normativa EN60745. L'operatore non deve essere esposto a livelli elevati di vibrazioni per periodi di tempo prolungati. L'emissione di vibrazioni da parte dell'elettroutensile è inferiore a 5 m/s e rientra nei limiti definiti dalla normativa 2002/44/CE per il funzionamento continuo in una giornata lavorativa di 8 ore. Le effettive condizioni di funzionamento possono variare o aumentare il livello delle vibrazioni rispetto al valore registrato durante la prova standard.

#### Caratteristiche

1. Ganascia superiore
2. Ganascia inferiore
3. Barra di guida catena
4. Coperchio di lubrificazione
5. Attuatori interruttori di accensione
6. Punto di espulsione dei frammenti di legno tagliato

#### Regolazione della tensione della catena (figg. A e B)

**Attenzione!** Prima di eseguire la regolazione della catena o altre regolazioni, assicurarsi che l'elettroutensile sia spento e scollegato dall'alimentazione.

**Attenzione!** La barra di guida e la catena possono essere calde dopo l'impiego. Prima di effettuare la regolazione, attendere che la catena e la barra si raffreddino.

Il prodotto è venduto già assemblato. Si raccomanda comunque di controllare la tensione della catena (12) e i dadi di ritegno della stessa prima dell'utilizzo e, se necessario, di apportare le dovute regolazioni.

#### Controllo e regolazione della tensione della catena

##### (fig. A)

- ◆ Per tendere la catena (12), allentare i due dadi di ritegno del carter (7) con la chiave (9); il tendicatena spingerà la barra di guida della catena (3) verso l'esterno impostando la corretta tensione. Serrare a fondo i due dadi di ritegno (7).
- ◆ Controllare la corretta tensione tirando leggermente la catena (12). La tensione è corretta se la catena scatta all'indietro una volta allontanata di 3 mm dalla barra di guida (3). Non deve esistere "gioco" tra la barra di guida e la catena sul lato inferiore.

**Nota:** Non tendere eccessivamente la catena del potatore dato che facendolo si causa un logorio eccessivo e si abbrevia la vita della barra di guida della catena e della catena stessa. Un'eccessiva tensione della catena riduce inoltre le prestazioni del prodotto.

**Nota:** Al primo utilizzo e comunque quando la catena è nuova, controllarne la tensione frequentemente: le catene nuove "cedono" leggermente.

**Nota:** Se la catena non può essere tesa correttamente, potrebbe essere necessario sostituirla. Rivolgersi al centro di assistenza più vicino.

#### Sostituzione della catena e della relativa barra di guida

Dopo un utilizzo prolungato, potrebbe essere necessario sostituire la catena (12) e/o la relativa barra di guida (3).

Utilizzare solo parti di ricambio raccomandate da Black & Decker.

### Smontaggio della catena del potatore e della barra di guida della catena (figg. A e B)

**Attenzione!** Indossare sempre guanti di protezione per l'installazione e la rimozione della catena del potatore. La catena del potatore è affilata e può causare ferite da taglio anche da ferma.

**Attenzione!** La barra di guida e la catena possono essere calde dopo l'impiego. Prima di effettuare la sostituzione, attendere che la catena e la barra si raffreddino.

- ◆ Collocare l'elettrotensile su una superficie stabile.
- ◆ Allentare ed estrarre completamente i due dadi di ritegno (7) ruotandoli in senso antiorario con la chiave (9) fornita.
- ◆ Rimuovere il carter della catena (8).
- ◆ Aprire i manici e tirare all'indietro la ganasce superiore (1).
- ◆ Tirare all'indietro la barra di guida della catena (3) ed estrarre la catena del potatore (12) fuori dal solco nella relativa barra di guida.
- ◆ Estrarre la catena (12) dall'elettrotensile.
- ◆ Inclinare la barra di guida della catena (3) verso l'alto e sopra i bulloni.

### Assemblaggio della barra di guida e della catena (figg. C e D)

**Attenzione!** Indossare sempre guanti di protezione per l'installazione e la rimozione della catena del potatore. La catena del potatore è affilata e può causare ferite da taglio anche da ferma.

Assicurarsi di eseguire l'operazione su una superficie stabile.

- ◆ Aprire i manici e tirare all'indietro la ganasce superiore (1).
- ◆ Inserire la barra di guida della catena (3) nello spazio tra il tendicateni e il primo bullone, inclinandola verso il basso, sui bulloni.
- ◆ Disporre la catena (12) attorno alla parte anteriore della barra di guida della catena (3) inserendola nel pignone sulla punta della barra di guida della catena (3).
- ◆ Tirare all'indietro barra di guida della catena (3) e la catena del potatore (12) inserendo quest'ultima nel solco nella barra di guida e quindi sopra il pignone (11) collocando i denti nella corretta posizione su quest'ultimo.
- ◆ Rimontare il carter della catena (8) e i dadi di ritegno (7), serrandoli a fondo.

### Utilizzo

**Attenzione!** Lasciare che l'elettrotensile funzioni al suo ritmo. Non sovraccaricarlo.

- ◆ Eseguire una regolare pulizia dell'unità come descritto nella sezione dedicata alla manutenzione; in particolare mantenere pulito l'interno del carter della catena.
- ◆ Le ganasce inferiore (2) e superiore (1) sono studiate per chiudersi quando uno dei manici viene rilasciato o quando il ramo su cui si lavora è tagliato completamente. Se ciò non avviene, arrestare l'elettrotensile ed estrarre la spina dalla presa. Controllare la presenza di eventuali frammenti che bloccano il movimento. Per agevolare il processo può essere necessario rimuovere il carter della catena (8). Se una volta rimontato il carter il problema è ancora presente, portare l'elettrotensile presso un centro di assistenza autorizzato.

### Lubrificazione (fig. E)

Prima di iniziare il lavoro e ogni 10 minuti di utilizzo è necessario lubrificare il prodotto con l'apposito olio per catene (n. cat. A6027).

- ◆ Aprire il coperchio di lubrificazione (4) e inserire il flacone dell'olio nel foro di rifornimento (10); premere una volta il flacone per far uscire l'olio.

La dose è sufficiente per circa 10 minuti di taglio a seconda della velocità di taglio e del tipo di legno.

Dal foro l'olio viene convogliato mediante la catena alla relativa barra di guida (3) e una quantità eccessiva di olio può causare gocciolamenti dall'elettrotensile nella zona delle ganasce. Ciò è normale e non deve causare alcuna preoccupazione.

### Accensione e spegnimento

**Attenzione!** Non tentare mai di bloccare un attuatore dell'interruttore su acceso.

Per la sicurezza dell'operatore, questo elettrotensile è dotato di un sistema a doppio interruttore. Tale sistema impedisce l'avvio indesiderato dell'elettrotensile.

### Accensione (fig. F)

- ◆ Afferrare saldamente i manici e premere entrambi gli attuatori degli interruttori (5) per accendere l'elettrotensile.

### Spegnimento (fig. F)

Rilasciare uno degli attuatori degli interruttori (5).

**Nota:** Affinché il prodotto funzioni, è necessario azionare entrambi gli attuatori degli interruttori.

Non sovraccaricare l'elettrotensile; lasciarlo il tempo di compiere il proprio lavoro. Il prodotto esegue un lavoro migliore e più sicuro alla velocità per cui è stato progettato. L'applicazione di una forza eccessiva può causare l'allungamento della catena.

Se la catena del potatore o la relativa barra di guida (3) si inceppano:

- ◆ Spegnerlo l'elettrotensile.
- ◆ Scollegare l'elettrotensile dall'alimentazione elettrica.
- ◆ Aprire il taglio con dei cunei per far diminuire la tensione sulla barra di guida della catena (3). Non tentare di liberare il potatore tagliando in senso contrario. Iniziare un taglio nuovo.

### Potatura dei rami (fig. G)

Assicurarsi che le leggi e i regolamenti locali non proibiscano o controllino la potatura dei rami degli alberi.

Assicurarsi che l'elettrotensile funzioni alla massima velocità prima di iniziare un taglio.

- ◆ Mantenere saldamente in posizione l'elettrotensile evitandone i possibili rimbalzi o movimenti laterali.
- ◆ Guidare l'elettrotensile utilizzando una leggera pressione.

Tagliare sempre dall'alto verso il basso. In questo modo si evita l'inceppamento della catena del potatore.

- ◆ Togliere i rami come illustrato in figura G. Iniziando dalla punta del ramo, ridurne la lunghezza procedendo secondo logica e tagliandone via piccole sezioni.
- ◆ Togliere l'elettrotensile dal taglio quando gira ancora alla massima velocità.

### Manutenzione

Questo apparecchio/elettrotensile Black & Decker con o senza filo è stato progettato per funzionare a lungo con una manutenzione minima. Per ottenere prestazioni sempre soddisfacenti occorre avere cura dell'elettrotensile e sottoporlo a manutenzione periodica.

**Attenzione!** Prima di eseguire interventi di manutenzione su elettrotensili con o senza filo procedere come descritto di seguito:

- ◆ Spegnerlo e scollegare l'apparecchio/elettrotensile dalla presa.
- ◆ Oppure spegnere ed estrarre la batteria se l'apparecchio/elettrotensile è dotato di batteria pack a parte.
- ◆ Oppure scaricare completamente la batteria se è di tipo integrale e quindi spegnerlo.
- ◆ Scollegare l'alimentatore prima di pulirlo. L'alimentatore non richiede nessuna manutenzione salvo una regolare pulizia.

Pulire regolarmente le prese di ventilazione dell'apparecchio/elettrotensile/alimentatore con un pennello o con un panno morbido e asciutto.

Il vano del motore deve essere pulito regolarmente con un panno umido. Non usare materiali abrasivi o detergenti a base di solventi.

Aprire regolarmente il mandrino e batterlo leggermente per eliminare la polvere dall'interno (se in dotazione).

### Pulizia

- ◆ Togliere con regolarità il carter della catena e rimuovere eventuali frammenti che sono rimasti intrappolati.
- ◆ Pulire regolarmente le feritoie di ventilazione con un pennello pulito e asciutto.
- ◆ Per pulire l'elettrotensile, utilizzare solamente sapone neutro e un panno umido. Evitare la penetrazione di liquidi all'interno dell'elettrotensile e non immergere mai nessuna parte dello stesso in un liquido.

### Lubrificazione

- ◆ Lubrificare con regolarità i punti (10) come indicato in fig. B.

### Trasporto

- ◆ Trasportare sempre l'elettrotensile con le ganasce chiuse.

### Conservazione

- ◆ Se si prevede di non utilizzare l'elettrotensile per più mesi, cospargere di olio tutte le parti in metallo.
- ◆ Conservare l'elettrotensile in un posto sicuro e asciutto. La temperatura di conservazione deve rimanere sempre nell'intervallo tra + 5° C e + 40° C. Collocare l'elettrotensile al riparo dalle cadute.

### Protezione dell'ambiente



Raccolta differenziata. Questo prodotto non deve essere smaltito con i normali rifiuti domestici.

Nel caso in cui l'elettrotensile Black & Decker debba essere sostituito o non sia più necessario, non smaltirlo con i normali rifiuti domestici. Metterlo da parte per la raccolta differenziata.



La raccolta differenziata dei prodotti e degli imballaggi utilizzati consente il riciclaggio dei materiali e il loro continuo utilizzo. Il riutilizzo dei materiali riciclati favorisce la protezione dell'ambiente prevenendo l'inquinamento e riduce il fabbisogno di materie prime.

Seguire la regolamentazione locale per la raccolta differenziata dei prodotti elettrici che può prevedere punti di raccolta o la consegna dell'elettrodomestico al rivenditore presso il quale viene acquistato un nuovo prodotto.

Black & Decker offre ai propri clienti la possibilità di riciclare i prodotti Black & Decker che hanno esaurito la loro vita di servizio. Per usufruire di tale servizio, è sufficiente restituire il prodotto a qualsiasi tecnico autorizzato, incaricato della raccolta per conto dell'azienda.

Per individuare il tecnico autorizzato più vicino, rivolgersi alla sede Black & Decker locale, presso il recapito indicato nel presente manuale. Altrimenti, un elenco completo di tutti i tecnici autorizzati Black & Decker e i dettagli completi sui contatti e i servizi post-vendita sono disponibili su Internet all'indirizzo: [www.2helpU.com](http://www.2helpU.com).

#### Dati tecnici

		GK1000 TYPE 2	GK1050 TYPE 2
Tensione	V <sub>c.a.</sub>	230	230
Potenza assorbita	W	550	600
Velocità catena (senza carico)	m/s	2.3	2.3
Massimo diametro di taglio	mm	100	100
Peso	kg	3	3

Livello garantito di pressione sonora, misurato in conformità a EN 60745:

$L_{pA}$  (pressione sonora) 87 dB(A), incertezza (K) 3 dB(A)

$L_{wA}$  (potenza acustica) 98 dB(A), incertezza (K) 3 dB(A)

$L_{WA}$  (garantita) 105 dB(A)

Vibrazione misurata su braccio/mano 4.95 m/s<sup>2</sup>  
incertezza (K) 1.5 dB(A)

## Dichiarazione di conformità CE

DIRETTIVA SUI MACCHINARI  
DIRETTIVA SULL'EMISSIONE SONORA IN AMBIENTE  
ESTERNO



### GK1000 GK1050

Black & Decker dichiara che i prodotti descritti al paragrafo "Dati tecnici" sono conformi alle seguenti normative:  
2006/42/CE e EN 60745-1

2000/14/CE, catena potatore, Allegato V

Livello di potenza acustica in base a 2000/14/CE

$L_{wA}$  (pressione sonora misurata) dB 98

$L_{wA}$  (pressione sonora garantita) dB 101

Questi prodotti sono inoltre conformi alla Direttiva  
2004/108/CE e 2011/65/CE

Per ulteriori informazioni contattare  
Black & Decker al seguente indirizzo oppure consultare  
l'ultima di copertina del manuale.

Il sottoscritto è responsabile della redazione di questo documento tecnico e rilascia questa dichiarazione per conto di Black & Decker.

Kevin Hewitt  
Vice-President Global Engineering  
Black & Decker Europe, 210 Bath Road, Slough  
Berkshire, SL1 3YD  
Regno Unito  
17/05/2012

## Garanzia

Certa della qualità dei suoi prodotti, Black & Decker offre una garanzia eccezionale. Il presente certificato di garanzia è complementare ai diritti legali e non li pregiudica in alcun modo. La garanzia è valida entro il territorio degli Stati membri dell'Unione Europea e dell'EFTA (European Free Trade Area).

Se un prodotto Black & Decker risulta difettoso per qualità del materiale, della costruzione o per mancata conformità entro 24 mesi dalla data di acquisto, Black & Decker garantisce la sostituzione delle parti difettose, provvede alla riparazione dei prodotti se ragionevolmente usurati oppure alla loro sostituzione, in modo da ridurre al minimo il disagio del cliente a meno che:

- ◆ il prodotto non sia stato destinato ad usi commerciali, professionali o al noleggio;
- ◆ il prodotto non sia stato usato in modo improprio o scorretto;
- ◆ il prodotto non abbia subito danni causati da oggetti o sostanze estranee oppure incidenti;
- ◆ il prodotto non abbia subito tentativi di riparazione non effettuati da tecnici autorizzati né dall'assistenza Black & Decker.

Per attivare la garanzia è necessario esibire la prova di acquisto al venditore o al tecnico autorizzato. Per individuare il tecnico autorizzato più vicino, rivolgersi alla sede Black & Decker locale, presso il recapito indicato nel presente manuale. Altrimenti, un elenco completo di tutti i tecnici autorizzati Black & Decker e i dettagli completi sui contatti e i servizi post-vendita sono disponibili su Internet all'indirizzo: [www.2helpU.com](http://www.2helpU.com).

I clienti che desiderano registrare il nuovo prodotto Black & Decker e ricevere gli aggiornamenti sui nuovi prodotti e le offerte speciali, sono invitati a visitare il sito Web [www.blackanddecker.it](http://www.blackanddecker.it). Ulteriori informazioni sul marchio e la gamma di prodotti Black & Decker sono disponibili all'indirizzo [www.blackanddecker.it](http://www.blackanddecker.it).

## Beoogd gebruik

Uw Black & Decker Alligator™ Lopper is ontworpen voor het snoeien van boomtakken, het doorzagen van gesnoeide takken en het zagen van kleine houtblokken met een diameter van 25 tot 100 mm terwijl de gebruiker op de grond staat. Dit gereedschap is uitsluitend bestemd voor consumentengebruik.

## Veiligheidsinstructies

### Algemene veiligheidswaarschuwingen voor elektrisch gereedschap



**Waarschuwing! Lees alle veiligheidswaarschuwingen en alle instructies.**

Wanneer de instructies niet in acht worden genomen, kan dit een elektrische schok, brand of ernstig letsel tot gevolg hebben.

### Bewaar alle waarschuwingen en instructies als referentiemateriaal.

- a. Het hierna gebruikte begrip 'elektrisch gereedschap' heeft betrekking op elektrische gereedschappen voor gebruik op de netspanning (met netsnoer) of op een accu (snoerloos).
1. **Veilige werkomgeving**
    - a. **Houd uw werkomgeving opgeruimd en goed verlicht.** Een rommelige of onverlichte werkomgeving kan tot ongevallen leiden.
    - b. **Gebruik elektrisch gereedschap niet in een omgeving met explosiegevaar, zoals in de nabijheid van brandbare vloeistoffen, gassen of stof.** Elektrisch gereedschap veroorzaakt vonken die het stof of de dampen tot ontsteking kunnen brengen.
    - c. **Houd kinderen en andere personen tijdens het gebruik van elektrisch gereedschap uit de buurt.** Wanneer u wordt afgeleid, kunt u de controle over het gereedschap verliezen.
  2. **Elektrische veiligheid**
    - a. **De netstekker van het gereedschap moet in het stopcontact passen. De stekker mag in geen geval worden omgebouwd. Gebruik geen adapterstekkers in combinatie met geaarde gereedschappen.** Niet-omgebouwde stekkers en passende stopcontacten beperken het risico van een elektrische schok.
    - b. **Vermijd aanraking van het lichaam met geaarde oppervlakken, bijvoorbeeld buizen, verwarmingen, fornuizen en koelkasten.** Er bestaat een verhoogd risico op een elektrische schok wanneer uw lichaam geaard is.
    - c. **Houd het gereedschap uit de buurt van regen en vocht.** Het binnendringen van water in het elektrische gereedschap vergroot het risico van een elektrische schok.
    - d. **Gebruik het snoer niet voor een verkeerd doel. Gebruik het snoer niet om het gereedschap te dragen of op te hangen of om de stekker uit het stopcontact te trekken. Houd het snoer uit de buurt van hitte, olie, scherpe randen of bewegende delen.** Beschadigde of in de war geraakte snoeren vergroten het risico van een elektrische schok.
    - e. **Wanneer u buitenshuis met elektrisch gereedschap werkt, dient u alleen verlengsnoeren te gebruiken die zijn goedgekeurd voor gebruik buitenshuis.** Het gebruik van een verlengsnoer dat geschikt is voor gebruik buitenshuis, beperkt het risico van een elektrische schok.
    - f. **Als u een elektrisch gereedschap moet gebruiken in een vochtige locatie, moet u een aardlekschakelaar (RCD) gebruiken.** Met een aardlekschakelaar wordt het risico van een elektrische schok verkleind.
  3. **Veiligheid van personen**
    - a. **Wees alert, let goed op wat u doet en ga met verstand te werk bij het gebruik van elektrische gereedschappen. Gebruik elektrisch gereedschap niet wanneer u moe bent of onder invloed van drugs, alcohol of medicijnen.** Een moment van onoplettendheid bij het gebruik van het gereedschap kan leiden tot ernstige verwondingen.
    - b. **Draag een persoonlijke beschermende uitrusting. Draag altijd een veiligheidsbril.** Het dragen van een persoonlijke beschermende uitrusting zoals een stofmasker, slipvaste werkschoenen, een veiligheidshelm of gehoorbescherming, afhankelijk van de aard en het gebruik van het elektrische gereedschap, vermindert het risico van verwondingen.
    - c. **Voorkom per ongeluk inschakelen. Controleer of de schakelaar in de uit-stand staat voordat u het gereedschap aansluit op het stopcontact en/of de accu en voordat u het gereedschap optilt of gaat dragen.** Wanneer u bij het dragen van het gereedschap uw vinger op de schakelaar houdt of wanneer u het gereedschap per ongeluk inschakelt, kan dat leiden tot ongevallen.
    - d. **Verwijder instelgereedschappen of schroefsleutels voordat u het gereedschap inschakelt.** Een instelgereedschap of sleutel in een draaiend deel van het gereedschap kan tot verwondingen leiden.

- e. **Reik niet te ver. Zorg er altijd voor dat u stevig staat en in evenwicht blijft.** Daardoor kunt u het gereedschap in onverwachte situaties beter onder controle houden.
- f. **Draag geschikte kleding. Draag geen loshangende kleding of sieraden. Houd haren, kleding en handschoenen uit de buurt van bewegende delen.** Loshangende kleding, sieraden en lange haren kunnen door bewegende delen worden meegenomen.
- g. **Wanneer stofafzuigings- of stofopvangvoorzieningen kunnen worden gemonteerd, dient u zich ervan te verzekeren dat deze zijn aangesloten en juist worden gebruikt.** Het gebruik van deze voorzieningen beperkt het gevaar door stof.
4. **Gebruik en onderhoud van elektrisch gereedschap**
- a. **Overbelast het gereedschap niet. Gebruik het geschikte elektrische gereedschap voor uw toepassing.** Met het geschikte elektrische gereedschap werkt u beter en veiliger binnen het aangegeven capaciteitsbereik.
- b. **Gebruik geen elektrisch gereedschap waarvan de schakelaar defect is.** Elektrisch gereedschap dat niet meer kan worden in- of uitgeschakeld, is gevaarlijk en moet worden gerepareerd.
- c. **Trek de stekker uit het stopcontact en/of verwijder de accu uit het elektrisch gereedschap voordat u het gereedschap instelt, toebehoren wisselt of het gereedschap opbergt.** Met deze voorzorgsmaatregel voorkomt u onbedoeld starten van het gereedschap.
- d. **Bewaar niet-gebruikte elektrische gereedschappen buiten bereik van kinderen. Laat het gereedschap niet gebruiken door personen die er niet vertrouwd mee zijn en deze aanwijzingen niet hebben gelezen.** Elektrische gereedschappen zijn gevaarlijk wanneer deze door onervaren personen worden gebruikt.
- e. **Verzorg het gereedschap zorgvuldig. Controleer of bewegende delen van het gereedschap correct functioneren en niet klemmen, en of er onderdelen zodanig zijn gebroken of beschadigd dat de werking van het gereedschap nadelig wordt beïnvloed. Laat beschadigde delen repareren voordat u het gereedschap gebruikt.** Veel ongevallen worden veroorzaakt door slecht onderhouden elektrische gereedschappen.
- f. **Houd snijdende inzetgereedschappen scherp en schoon.** Zorgvuldig onderhouden snijdende inzetgereedschappen met scherpe snijkanten klemmen minder snel en zijn gemakkelijker te besturen.

- g. **Gebruik elektrische gereedschappen, toebehoren, inzetgereedschappen en dergelijke volgens deze aanwijzingen. Let daarbij op de arbeidsomstandigheden en de uit te voeren werkzaamheden.** Het gebruik van elektrische gereedschappen voor andere dan de bedoelde toepassingen kan leiden tot gevaarlijke situaties.
5. **Onderhoud**
- a. **Laat het gereedschap alleen repareren door gekwalificeerd en vakkundig personeel en alleen met originele vervangingsonderdelen.** Daarmee wordt de veiligheid van het gereedschap gewaarborgd.

#### **Aanvullende veiligheidsinstructies voor de Alligator™ Lopper**

**Waarschuwing!** Gebruik het gereedschap nooit boven schouderhoogte. Zorg dat u buiten de baan blijft van vallende takken en zaagafval.

**Waarschuwing!** Gebruik dit gereedschap niet om bomen om te zagen.

- ◆ Blijf te allen tijde met uw lichaam en kleding uit de buurt van de zaagketting. Houd het gereedschap vóór u en wees u bewust van de stand van de zaagketting, vooral als u takken vlak bij de grond doorzaagt. Controleer voordat u het gereedschap start of de zaagketting vrij kan draaien.
- ◆ Bepaal van tevoren een veilige vluchtweg bij vallende takken en zaagafval. Zorg dat de vluchtweg vrij is van obstakels die u zouden kunnen hinderen. Bedenk dat nat gras en vers gezaagde boomschors glad zijn.
- ◆ Wees u bewust van de waarschijnlijke valrichting van takken. Houd rekening met alle factoren die de valrichting kunnen beïnvloeden, zoals:
  - De beoogde valrichting.
  - De natuurlijke kromming van de tak.
  - Een verdikking of rotte plek.
  - Andere bomen of obstakels zoals bovengrondse kabels.
  - De richting en kracht van de wind.
- ◆ De veilige afstand tussen een tak die wordt afgesnoeid en omstanders, gebouwen en andere objecten is ten minste 2 1/2 keer de lengte van de tak. Een omstander, gebouw of object binnen deze afstand loopt het risico door de vallende tak te worden geraakt.
- ◆ Als u een tak doorzaagt die onder spanning staat, wees dan bedacht op het terugveren daarvan. Als de spanning in de houtvezels vrijkomt, kan de tak tegen u aanslaan en/of het gereedschap uit uw handen wringen.

- ◆ Draag altijd geschikte veiligheidsmiddelen bij het gebruik van het gereedschap, zoals veiligheidsschoenen met antislipzolen, een helm, een stofbril, gehoorbeschermers en handschoenen.
- ◆ Zorg dat er altijd iemand in de buurt is (op een veilige afstand) die bij een ongeval hulp kan bieden.
- ◆ Gebruik het gereedschap nooit terwijl u in een boom, op een ladder of op een andere instabiele verhoging staat.
- ◆ Zorg er altijd voor dat u stevig staat en in evenwicht blijft.
- ◆ Houd het gereedschap stevig met beide handen vast als de motor draait.
- ◆ Houd de handvatten droog, schoon en vrij van olie en vet. Vettige handvatten zijn glad, waardoor u de controle over het gereedschap kunt verliezen.
- ◆ Zorg dat het uiteinde van het kettingzwaard nergens mee in aanraking komt als de zaagketting draait.
- ◆ Zorg dat de ketting op de juiste spanning blijft. Controleer de kettingspanning regelmatig met de motor uit en het netsnoer losgekoppeld.
- ◆ Zaag uitsluitend met de ketting draaiend op volle snelheid.
- ◆ Wees bedacht op bewegende takken of andere krachten die de zaagsnede kunnen dichtknijpen of met de ketting in aanraking kunnen komen.
- ◆ Ga zeer voorzichtig te werk wanneer u verder gaat zagen in een eerder gemaakte zaagsnede. Zorg dat de tanden van de onderkaak in het hout grijpen en laat de zaagketting op volle snelheid komen voordat u verdergaat met zagen.
- ◆ Het gebruik van dit gereedschap voor doeleinden waarvoor het niet is ontworpen kan leiden tot gevaarlijke situaties. Zaag uitsluitend hout. Gebruik het gereedschap niet om andere materialen mee te zagen, zoals kunststoffen, metselwerk of andere bouwmaterialen dan hout.
- ◆ Als er zaagafval in het gereedschap vast komt te zitten, stop dan met zagen, koppel het netsnoer los en verwijder het afval.
- ◆ Een versleten zaagketting of kettingzwaard dient onmiddellijk te worden vervangen.
- ◆ Gebruik uitsluitend door de fabrikant aanbevolen vervangingsonderdelen.

## Veiligheid van anderen

- ◆ Dit gereedschap mag niet worden gebruikt door personen (waaronder kinderen) die lichamelijk of geestelijk minder valide zijn of die geen ervaring met of kennis van dit gereedschap hebben, tenzij ze onder toezicht staan of instructies krijgen wat betreft het gebruik van het gereedschap van een persoon die verantwoordelijk is voor hun veiligheid.

- ◆ Houd toezicht op kinderen om ervoor te zorgen dat zij niet met het apparaat gaan spelen.

## Trilling

De aangegeven waarden voor trillingsemissie in de technische gegevens en de conformiteitsverklaring zijn gemeten conform een standaardtestmethode die door EN60745 wordt geboden. Hiermee kan het ene gereedschap met het andere worden vergeleken. De aangegeven waarde voor trillingsemissie kan ook worden gebruikt bij een voorlopige bepaling van blootstelling.

**Waarschuwing!** De waarde voor trillingsemissie tijdens het werkelijke gebruik van het gereedschap kan verschillen van de aangegeven waarde afhankelijk van de manieren waarop het gereedschap wordt gebruikt. Het trillingsniveau kan hoger worden dan het aangegeven niveau.

Wanneer de blootstelling aan trillingen wordt vastgesteld teneinde veiligheidsmaatregelen te bepalen die worden vereist door 2002/44/EG ter bescherming van personen die tijdens hun werk regelmatig elektrische gereedschappen gebruiken, moet bij een schatting van de blootstelling aan trillingen rekening worden gehouden met de werkelijke omstandigheden van het gebruik en de manier waarop het gereedschap wordt gebruikt. Daarbij moet ook rekening worden gehouden met alle stappen in de gebruikscyclus, zoals het moment waarop het gereedschap wordt uitgeschakeld en wanneer het gereedschap stationair loopt alsook de aanlooptijd.

## Labels op het gereedschap

Het gereedschap is voorzien van de volgende symbolen:



**Waarschuwing!** De gebruiker moet de instructiehandleiding lezen om het risico op letsel te verminderen.



Gebruik uw zaag niet in natte omstandigheden en stel deze niet bloot aan regen.



Draag altijd hoofd-, gehoor- en gezichtsbescherming.



Wees bedacht op vallende objecten. Houd omstanders uit de buurt.



Gebruik het gereedschap niet op een ladder.



Controleer de kettingspanning na elke 10 minuten gebruik. Stel de ketting af op een speling van 3 mm.



Smeer de ketting na elke tien minuten gebruik.



**Waarschuwing!** Raak de ketting niet aan bij de zaagselafvoer.



Draairichting van de ketting.



Koppel het netsnoer onmiddellijk los van de netspanning als het netsnoer beschadigd raakt.

### Elektrische veiligheid



Dit gereedschap is dubbel geïsoleerd. Een aardaansluiting is daarom niet noodzakelijk. Controleer altijd of uw netspanning overeenkomt met de waarde op het typeplaatje.

- Als het netsnoer is beschadigd, moet dit worden vervangen door de fabrikant of een Black & Decker-servicecentrum om gevaren te voorkomen.

### Een verlengsnoer gebruiken

- Gebruik altijd een goedgekeurd verlengsnoer dat geschikt is voor het ingangsvermogen van deze machine (zie de technische gegevens). De verlengkabel moet geschikt zijn voor gebruik buitenshuis en dient als zodanig te zijn gemarkeerd. Er kan een HO5VV-F verlengkabel van 1,5 mm<sup>2</sup> van maximaal 30 m lang worden gebruikt zonder dat de prestaties van het gereedschap verminderen. Controleer het verlengsnoer vóór gebruik op tekenen van beschadiging, slijtage of veroudering. Vervang het verlengsnoer indien het beschadigd of defect is. Als u een haspel gebruikt, rolt u het snoer altijd helemaal af.

### Overblijvend risico

Ook als de toepasselijke veiligheidsvoorschriften worden gevolgd en geschikte veiligheidsmaatregelen worden genomen, blijven er bepaalde risico's verbonden aan het gebruik van kettingzagen. Dit zijn:

- Risico op letsel door contact met bewegende, scherpe of hete onderdelen, uitgeworpen zaagafval en objecten die op de gebruiker, omstanders of eigendommen vallen.

- Risico op letsel door verkeerd gebruik, een val van een ladder of uit een boom, gebruik onder natte of gevaarlijke omstandigheden, beschadiging van het netsnoer, gebruik door jonge of lichamelijk zwakke mensen, het niet dragen van veiligheidsmiddelen of geschikte kleding of het inademen van zaagsel.

De hierboven genoemde risico's zijn kenbaar gemaakt door waarschuwingen in de veiligheidsinstructies en/of symbolen op het gereedschap.

De in deze handleiding vermelde trillingswaarde is in overeenstemming met de gestandaardiseerde test voor EN 60745. De gebruiker dient zichzelf niet gedurende langere perioden bloot te stellen aan hoge trillingswaarden. De trillingswaarden van dit gereedschap liggen onder de 5 m/s en voldoen aan de limieten van 2002/44/EG voor onafgebroken gebruik gedurende een werkdag van 8 uur. De werkelijke gebruiksomstandigheden kunnen variëren en mogelijk resulteren in hogere trillingswaarden dan gemeten bij de gestandaardiseerde test.

### Onderdelen

- Bovenkaak
- Onderkaak
- Kettingzwaard
- Smeerpuntafdekking
- Aan/uit-schakelaars
- Zaagselafvoer

### Afstelling kettingspanning (fig. A en B)

**Waarschuwing!** Schakel het gereedschap uit en koppel het netsnoer los alvorens de ketting of andere onderdelen af te stellen.

**Waarschuwing!** Het kettingzwaard en de ketting kunnen na gebruik heet zijn. Laat deze onderdelen afkoelen alvorens ze af te stellen.

Het product wordt volledig gemonteerd geleverd. Niettemin wordt aanbevolen de kettingspanning (12) en kettingbouten voor gebruik te controleren en zo nodig af te stellen.

### De kettingspanning controleren en afstellen (fig. A)

- Draai de twee kettingmoeren (7) los met de sleutel (9) om de ketting te spannen (12). De kettingspanner drukt nu het kettingzwaard (3) naar voren, waardoor de juiste kettingspanning wordt ingesteld. Draai de twee kettingmoeren (7) weer stevig vast.
- Controleer of de juiste spanning is ingesteld door licht aan de ketting (12) te trekken. De spanning is juist als de ketting terugspringt nadat u deze 3 mm van het zwaard (3) af hebt getrokken. De ketting mag aan de onderzijde van het kettingzwaard niet doorhangen.

**Opmerking:** Stel de zaagketting niet te strak af. Dit leidt tot overmatige slijtage en beperkt de levensduur van het kettingzwaard en de zaagketting. Daarnaast zullen de prestaties van het gereedschap verminderen.

**Opmerking:** Controleer de kettingspanning regelmatig bij het eerste gebruik en na vervanging van de ketting, aangezien nieuwe kettingen meer rek vertonen.

**Opmerking:** Als de ketting niet goed op spanning kan worden gebracht, moet hij wellicht worden vervangen. Neem contact op met het dichtstbijzijnde servicecentrum.

## De ketting en het kettingzwaard vervangen

Na langdurig gebruik moet de ketting (12) en/of het kettingzwaard (3) mogelijk worden vervangen. Gebruik hiervoor uitsluitend door Black & Decker aanbevolen vervangingsonderdelen.

## De zaagketting en het kettingzwaard verwijderen (fig. A en B)

**Waarschuwing!** Draag altijd handschoenen bij het verwijderen of monteren van de zaagketting. De ketting is scherp en kan u ook verwonden als deze niet draait.

**Waarschuwing!** Het kettingzwaard en de ketting kunnen na gebruik heet zijn. Laat deze afkoelen alvorens ze te vervangen.

- ◆ Plaats het gereedschap op een stevige ondergrond.
- ◆ Draai de twee kettingmoeren (7) linksom met de meegeleverde sleutel (9) en verwijder ze vervolgens.
- ◆ Verwijder de kettingkap (8).
- ◆ Open de handvatten en trek de bovenkaak (1) naar achteren.
- ◆ Trek het kettingzwaard (3) naar achter en haal vervolgens de zaagketting (12) uit de groef in het kettingzwaard (3).
- ◆ Kaal de ketting (12) uit het gereedschap.
- ◆ Til het kettingzwaard (3) over de draadeinden heen.

## Het kettingzwaard en de ketting monteren (fig. C en D)

**Waarschuwing!** Draag altijd handschoenen bij het verwijderen of monteren van de zaagketting. De ketting is scherp en kan u ook verwonden als deze niet draait.

Plaats het gereedschap op een stevige ondergrond om de montage uit te voeren.

- ◆ Open de handvatten en trek de bovenkaak (1) naar achteren.
- ◆ Plaats het kettingzwaard (3) in de uitsparing tussen de kettingspanner en het eerste draaideind. Laat het kettingzwaard (3) vervolgens voorover over de draadeinden zakken.

- ◆ Plaats de zaagketting (12) om de voorkant van het kettingzwaard (3) zodat deze aangrijpt in het neustandwiel van het kettingzwaard (3).
- ◆ Trek het kettingzwaard (3) en de zaagketting (12) naar achteren, plaats de ketting in de groef in het kettingzwaard en trek de ketting om het tandwiel (11), zodat de tanden van het tandwiel in de ketting aangrijpen.
- ◆ Plaats de kettingkap (8) terug, breng de kettingmoeren (7) aan en zet deze stevig vast.

## Gebruik

**Waarschuwing!** Laat het gereedschap in zijn eigen tempo werken. Niet overbelasten.

- ◆ Reinig het gereedschap regelmatig volgens de instructies in de paragraaf Onderhoud, met name de ruimte onder de kettingkap.
- ◆ De onderkaak (2) en bovenkaak (1) zijn ontworpen om te sluiten wanneer een van de handgrepen wordt losgelaten of nadat een tak is doorgezaagd. Als dit niet gebeurt, schakel het gereedschap dan onmiddellijk uit en koppel het netsnoer los. Ga na of de beweging wordt verhinderd door zaagafval. Hiervoor kan het nodig zijn om de kettingkap (8) te verwijderen. Als het probleem zich na de montage nog steeds voordoet, breng het gereedschap dan naar een erkend servicecentrum.

## Smeren (fig. E)

Voor de ingebruikname en na elke tien minuten gebruik moet het gereedschap worden gesmeerd met de juiste kettingolie (cat.nr. A6027).

- ◆ Open de smeerpuntafdekking (4) en zet de tuit van het olieflesje in de smeeropening (10). Knijp vervolgens lichtjes in het olieflesje om olie aan te brengen.

Dit is voldoende voor ongeveer tien minuten gebruik, afhankelijk van de zaagsnelheid en de houtsoort.

Via de smeeropening loopt de olie naar de zaagketting en het kettingzwaard (3). Als u te veel olie aanbrengt, zal deze ook op het gebied rond de kaken terecht komen. Dit is normaal en niets om u zorgen over te maken.

## In- en uitschakelen

**Waarschuwing!** Probeer nooit om een aan/uit-schakelaar in de ingeschakelde stand vast te zetten.

Om veiligheidsredenen is dit gereedschap voorzien van een dubbel schakelaarsysteem. Hierdoor wordt onbedoeld inschakelen van het gereedschap voorkomen.

## Inschakelen (fig. F)

- ◆ Zorg dat u de handvatten stevig vastheeft en knijp vervolgens beide schakelaars (5) in om het gereedschap in te schakelen.

### Uitschakelen (fig. F)

Laat een van beide aan/uit-schakelaars los (5).

**Opmerking:** Om het gereedschap in te schakelen moeten beide schakelaars worden ingedrukt.

Oefen geen druk uit op het gereedschap, laat het werk over aan de zaagketting. Het gereedschap werkt het effectiefst en het veiligst op de snelheid waarvoor het is ontworpen. Bij een overmatige krachtoefening zal de ketting rekken.

Als de zaagketting of het kettingzwaard (3) vast komt te zitten:

- ◆ Schakel het gereedschap uit.
- ◆ Koppel het gereedschap los van de netspanning.
- ◆ Open de zaagsnede met wigjes om de spanning op het kettingzwaard te verminderen (3). Probeer niet het gereedschap los te wrikken. Ga verder met een nieuwe zaagsnede.

### Takken snoeien (fig. G)

Verzeker u ervan dat er geen wetten of regels zijn die het snoeien van de takken verbieden.

Zorg dat het gereedschap op volle snelheid draait alvorens een zaagsnede te maken.

- ◆ Houd het gereedschap stevig op zijn plaats om terugslaan of zijwaarts bewegen van het gereedschap te voorkomen.
- ◆ Oefen een lichte druk uit om het gereedschap te sturen.

Zaag altijd van boven naar beneden. Hierdoor voorkomt u dat het gereedschap in de zaagsnede beklemd raakt.

- ◆ Verwijder de takken zoals aangegeven in fig. G. Begin bij het uiteinde van de tak en zaag deze in kleine stappen tot op de gewenste lengte.
- ◆ Haal het gereedschap uit de zaagsnede terwijl het nog op volle snelheid draait.

### Onderhoud

Uw Black & Decker-gereedschap/apparaat (met netsnoer/snoerloos) is ontworpen om gedurende langere periode te functioneren met een minimum aan onderhoud. U kunt het gereedschap naar volle tevredenheid blijven gebruiken als u voor correct onderhoud zorgt en het gereedschap regelmatig schoonmaakt.

**Waarschuwing!** Doe altijd het volgende voordat u onderhouds- of reinigingswerkzaamheden aan het gereedschap (met snoer/snoerloos) uitvoert.

- ◆ Schakel het gereedschap/apparaat uit en trek de stekker uit het stopcontact.
- ◆ Als het gereedschap/apparaat een afzonderlijke accu heeft, schakelt u het gereedschap/apparaat uit en haalt u de accu eruit.

- ◆ Als de accu is ingebouwd, laat u deze volledig ontladen. Schakel dan het apparaat uit.
- ◆ Neem de lader uit het stopcontact voordat u deze schoonmaakt. Naast regelmatige reiniging vereist de lader geen onderhoud.

Reinig regelmatig de ventilatieopeningen van het gereedschap/apparaat/lader met een zachte borstel of droge doek.

Reinig de behuizing van de motor regelmatig met een vochtige doek. Gebruik geen schuur- of oplosmiddel.

Open regelmatig de spanknop en tik erop om eventueel stof uit het binnenste te verwijderen (indien van toepassing).

### Reinigen

- ◆ Verwijder regelmatig de kettingkap om daarachter opgehoopt zaagafval te verwijderen.
- ◆ Reinig de ventilatieopeningen regelmatig met een schone, droge kwast.
- ◆ Reinig het gereedschap uitsluitend met een milde reinigingsoplossing en een vochtige doek. Voorkom dat vloeistof het gereedschap binnendringt en dompel nooit enig onderdeel van het gereedschap in vloeistof onder.

### Smeren

- ◆ Smeer het gereedschap regelmatig bij het smeerpunt (10) zoals aangegeven in fig. B.

### Vervoer

- ◆ Vervoer het gereedschap altijd met de kaken gesloten.

### Opbergen

- ◆ Veeg de metalen onderdelen af met een in olie gedrenkte doek als het gereedschap enkele maanden niet wordt gebruikt.
- ◆ Berg het gereedschap op een veilige en droge plaats op. De temperatuur in de opbergruimte moet altijd tussen + 5°C en + 40°C liggen. Plaats het gereedschap op een veilige, vlakke ondergrond.

### Milieu



Gescheiden inzameling. Dit product mag niet met normaal huishoudelijk afval worden weggegooid.

Mocht u op een dag constateren dat het Black & Decker-product aan vervanging toe is of dat u het apparaat niet meer nodig hebt, gooi het product dan niet bij het restafval. Het product valt onder de categorie voor elektrische apparaten.



Gescheiden inzameling van gebruikte producten en verpakkingsmaterialen maakt het mogelijk materialen te recycleren en opnieuw te gebruiken. Hergebruik van gerecycleerde materialen zorgt voor minder milieuvuiling en dringt de vraag naar grondstoffen terug.

Plaatselijke verordeningen kunnen voorzien in gescheiden inzameling van huishoudelijke elektrische producten via gemeentelijke stortplaatsen of via de leverancier bij wie u een nieuw product aanschaft.

Black & Decker biedt de mogelijkheid tot het recyclen van afgedankte Black & Decker-producten. Om gebruik te maken van deze service, dient u het product naar een van onze servicecentra te sturen, die de inzameling voor ons verzorgen.

U kunt het adres van het dichtstbijzijnde servicecentrum opvragen via de adressen op de achterzijde van deze handleiding. U kunt ook een lijst van onze servicecentra en meer informatie m.b.t. onze klantenservice vinden op het volgende internetadres: [www.2helpU.com](http://www.2helpU.com).

#### Technische gegevens

		GK1000 TYPE 2	GK1050 TYPE 2
Spanning	$V_{AC}$	230	230
Opgenomen vermogen	W	550	600
Kettingsnelheid (onbelast)	m/s	2.3	2.3
Maximale diameter voor zaagsnede	mm	100	100
Gewicht	kg	3	3

Gegarandeerd geluidsdrumniveau gemeten volgens EN 60745:

$L_{pA}$  (geluidsdruk) 87 dB(A), meetonzekerheid (K) 3 dB(A)  
 $L_{WA}$  (geluidsvermogen) 98 dB(A),  
 meetonzekerheid (K) 3 dB(A)  
 $L_{WA}$  (gegarandeerd) 105 dB(A)  
 gewogen trilling hand/arm 4.95 m/s<sup>2</sup>  
 meetonzekerheid (K) 1.5 dB (A)

## EG-conformiteitsverklaring

RICHTLIJN MACHINERIEËN  
 RICHTLIJN VOOR GELUID BUITENSHUIS



### GK1000 GK1050

Black & Decker verklaart dat deze producten, die zijn beschreven onder "Technische gegevens", voldoen aan: 2006/42/EG en EN 60745-1

2000/14/EG, Kettingzaag, bijlage V

Niveau van akoestisch vermogen volgens 2000/14/EG

$L_{WA}$  (gemeten geluidsvermogen) dB 98  
 $L_{WA}$  (gegarandeerd geluidsvermogen) dB 101

Deze producten voldoen tevens aan richtlijn 2004/108/EG en 2011/65/EG.

Neem voor meer informatie contact op met Black & Decker op het volgende adres of raadpleeg de achterzijde van de handleiding.

Ondergetekende is verantwoordelijk voor de compilatie van het technische bestand en doet deze verklaring namens Black & Decker.

Kevin Hewitt  
 Vice-President Global Engineering  
 Black & Decker Europe, 210 Bath Road, Slough,  
 Berkshire, SL1 3YD  
 Verenigd Koninkrijk  
 17/05/2012

## Garantie

Black & Decker heeft vertrouwen in haar producten en biedt een uitstekende garantie. Deze garantiebepalingen vormen een aanvulling op uw wettelijke rechten en beperken deze niet. De garantie geldt in de lidstaten van de Europese Unie en de Europese Vrijhandelsassociatie.

Mocht uw Black & Decker product binnen 24 maanden na de datum van aankoop defect raken ten gevolge van materiaal- of constructiefouten, dan garanderen wij de kosteloze vervanging van defecte onderdelen, de reparatie van het product of de vervanging van het product, tenzij:

- ◆ Het product is gebruikt voor handelsdoeleinden, professionele toepassingen of verhuurdoeleinden.
- ◆ Het product onoordeelkundig is gebruikt;
- ◆ Het product is beschadigd door invloeden van buitenaf of door een ongeval;
- ◆ Reparaties zijn uitgevoerd door anderen dan onze servicecentra of Black & Decker-personeel.

Om een beroep te doen op de garantie, dient u een aankoopbewijs te overhandigen aan de verkoper of een van onze servicecentra. U kunt het adres van het dichtstbijzijnde servicecentrum opvragen via de adressen op de achterzijde van deze handleiding. U kunt ook een lijst van onze servicecentra en meer informatie m.b.t. onze klantenservice vinden op het volgende internetadres: **[www.2helpU.com](http://www.2helpU.com)**.

Meld u aan op onze website **[www.blackanddecker.nl](http://www.blackanddecker.nl)** om te worden geïnformeerd over nieuwe producten en speciale aanbiedingen. Verdere informatie over het merk Black & Decker en onze producten vindt u op **[www.blackanddecker.nl](http://www.blackanddecker.nl)**.

## Uso previsto

La podadera Black & Decker Alligator™ se ha diseñado para podar ramas de árboles y cortar ramas caídas y troncos pequeños con diámetros comprendidos entre 25 y 100 mm mientras el operario se encuentra de pie en el suelo. Esta herramienta está pensada únicamente para uso doméstico.

## Instrucciones de seguridad

### Advertencias de seguridad generales para herramientas eléctricas



**¡Atención! Lea todas las advertencias e instrucciones de seguridad.** Si no se siguen las instrucciones de seguridad, pueden producirse descargas eléctricas, incendios o lesiones graves.

### Guarde todas las advertencias e instrucciones para consultarlas en el futuro.

- a. El término "herramienta eléctrica" empleado en las advertencias a continuación hace referencia a la herramienta eléctrica con alimentación de red (con cable) o alimentada por batería (sin cable).
1. **Seguridad del área de trabajo**
    - a. **Mantenga limpia y bien iluminada el área de trabajo.** El desorden y una iluminación deficiente en las áreas de trabajo pueden provocar accidentes.
    - b. **No utilice la herramienta eléctrica en un entorno con peligro de explosión, como aquel en el que se encuentren líquidos, gases o material en polvo inflamables.** Las herramientas eléctricas producen chispas que pueden llegar a inflamar el polvo o los vapores.
    - c. **Cuando utilice la herramienta eléctrica, mantenga alejados a los niños y a otras personas del área de trabajo.** Una distracción le puede hacer perder el control sobre la herramienta.
  2. **Seguridad eléctrica**
    - a. **El enchufe de la herramienta eléctrica debe corresponder a la toma de corriente utilizada. No modifique el enchufe. No emplee adaptadores en herramientas eléctricas dotadas con toma de tierra.** Estas pautas le ayudarán a reducir el riesgo de descargas eléctricas.
    - b. **Evite tocar partes conectadas a tierra como tuberías, radiadores, cocinas y refrigeradores.** El riesgo de descarga eléctrica es mayor si el usuario entra en contacto con elementos conectados a tierra.
    - c. **No exponga las herramientas eléctricas a la lluvia y evite que penetren líquidos en su interior, ya que existe el peligro de recibir una descarga eléctrica.**
  - d. **Cuide el cable de alimentación. No lo utilice para transportar o colgar la herramienta eléctrica, ni tire de él para sacar el enchufe de la toma de corriente. Manténgalo alejado del calor, aceite, bordes afilados o piezas móviles.** Los cables de red dañados o enredados incrementan el riesgo de descarga eléctrica.
  - e. **Si trabaja con la herramienta eléctrica en el exterior, utilice solamente cables de prolongación homologados para uso en exteriores.** Esto le ayudará a reducir el riesgo de descarga eléctrica.
  - f. **Si la utilización de una herramienta eléctrica en un lugar húmedo es inevitable, utilice una fuente protegida con un dispositivo de corriente residual (DCR).** Ello le ayudará a reducir el riesgo de descargas eléctricas.
3. **Seguridad personal**
    - a. **Esté atento a lo que hace y utilice la herramienta eléctrica con prudencia. No la use si está cansado, ni si se encuentra bajo los efectos del alcohol, drogas o medicamentos.** Si desatiende la herramienta, aunque sea durante unos instantes, puede haber riesgo de lesiones graves.
    - b. **Utilice material de protección personal. Utilice siempre gafas de protección.** El riesgo de lesiones se reduce considerablemente si se utiliza material de protección adecuado como una mascarilla antipolvo, zapatos de seguridad con suela antideslizante, casco o protectores auditivos.
    - c. **Impida que la herramienta se ponga en marcha accidentalmente. Asegúrese de que el interruptor de encendido/apagado se encuentre en la posición de apagado antes de conectar la herramienta a la fuente de alimentación o a la batería, o de coger o transportar la herramienta.** Transportar la herramienta eléctrica con el dedo sobre el interruptor o enchufarla con el interruptor encendido puede provocar accidentes.
    - d. **Retire las herramientas de ajuste o llaves fijas antes de conectar la herramienta eléctrica.** Una herramienta o llave colocada en una pieza giratoria de la herramienta puede producir lesiones al ponerse ésta en marcha.
    - e. **Sea precavido. Evite adoptar una posición que fatigue su cuerpo; mantenga un apoyo firme sobre el suelo y conserve el equilibrio en todo momento.** Ello le permitirá controlar mejor la herramienta eléctrica en caso de presentarse una situación inesperada.

- f. **Vístase con la ropa adecuada. No lleve ropa holgada ni joyas. Aleje el pelo, la ropa y los guantes de las piezas móviles.** La ropa holgada, las joyas y el pelo largo se pueden enganchar con las piezas en movimiento.
- g. **Siempre que sea posible utilizar unos equipos de aspiración o captación de polvo, asegúrese de que estén montados y se utilicen correctamente.** El empleo de estos equipos reduce los riesgos derivados del polvo.
4. **Uso y cuidado de herramientas eléctricas**
- a. **No sobrecargue la herramienta eléctrica. Use la herramienta adecuada para cada aplicación.** Con la herramienta eléctrica adecuada podrá trabajar mejor y más seguro dentro del margen de potencia indicado.
- b. **No utilice herramientas eléctricas con un interruptor defectuoso.** Las herramientas eléctricas que no se puedan conectar o desconectar son peligrosas y deben hacerse reparar.
- c. **Desconecte de la herramienta eléctrica el enchufe de la fuente de alimentación y de la batería antes de realizar cualquier ajuste, cambiar accesorios o guardar la herramienta.** Esta medida preventiva reduce el riesgo de encender accidentalmente la herramienta eléctrica.
- d. **Guarde las herramientas eléctricas fuera del alcance de los niños y de las personas que no estén familiarizadas con su uso.** Las herramientas eléctricas utilizadas por personas inexpertas son peligrosas.
- e. **Cuide sus herramientas eléctricas con esmero. Controle si funcionan correctamente, sin atascarse, las partes móviles de la herramienta eléctrica, y si existen partes rotas o deterioradas que pudieran afectar al funcionamiento de la herramienta. Si la herramienta eléctrica estuviese defectuosa haga que la reparen antes de volver a utilizarla.** Muchos accidentes se deben a herramientas eléctricas con un mantenimiento deficiente.
- f. **Mantenga las herramientas de corte limpias y afiladas.** Las herramientas de corte mantenidas correctamente se dejan guiar y controlar mejor.
- g. **Utilice la herramienta eléctrica, los accesorios, los útiles de la herramienta, etc. de acuerdo con estas instrucciones, y tenga en cuenta las condiciones de trabajo y la tarea que se va a realizar.** El uso de herramientas eléctricas para trabajos diferentes de aquellos para los que han sido concebidas puede resultar peligroso.

## 5. Servicio técnico

- a. **Esta herramienta eléctrica solo la puede reparar personal técnico autorizado que emplee exclusivamente piezas de repuesto originales.** Solamente así se garantiza la seguridad de la herramienta eléctrica.

### Instrucciones de seguridad adicionales para la podadora Alligator™

**¡Atención!** No utilice nunca la herramienta por encima de la altura de los hombros. Colóquese siempre en una posición alejada de las ramas y los restos que caen.

**¡Atención!** No utilice esta herramienta para talar árboles.

- ◆ Mantenga siempre todas las partes del cuerpo y la ropa alejadas de la cadena de la sierra. Sujete la herramienta delante de usted y preste atención a la posición de la cadena de la sierra, especialmente cuando corte ramas cerca del suelo. Antes de encender la herramienta, asegúrese de que la cadena de la sierra no esté en contacto con ningún objeto.
- ◆ Planifique de antemano una ruta de salida segura para evitar que le caigan encima ramas y restos. Compruebe que no haya obstáculos en la ruta de salida que puedan impedir o dificultar sus movimientos. Recuerde que la hierba mojada y las cortezas recién cortadas son resbaladizas.
- ◆ Tenga en cuenta la dirección en la que pueden caer las ramas. Considere todas las condiciones que puedan influir en la dirección de caída, incluidas las siguientes:
  - La dirección de caída prevista.
  - La inclinación natural de la rama.
  - Cualquier putrefacción o estructura de rama pesada y poco común.
  - Árboles circundantes y obstáculos como líneas de teléfono o de tendido eléctrico.
  - La velocidad y dirección del viento.
- ◆ La distancia segura entre una rama o los restos que se van a talar y las personas, edificios y otros objetos es como mínimo 2,5 veces la longitud de la rama. Cualquier persona, edificio u objeto que se encuentre a una distancia menor corre el riesgo de resultar golpeado por la rama al caer.
- ◆ Cuando corte una rama sometida a tensión, tenga en cuenta el efecto de resorte. Cuando se libere la tensión de las fibras de madera, la rama podría golpear al operario o arrojar la herramienta fuera de su alcance.
- ◆ Cuando maneje la herramienta, utilice siempre equipo de seguridad adecuado, como botas de seguridad con suelas antideslizantes, casco, gafas de seguridad, protección para los oídos y guantes.

- ◆ Asegúrese de que haya otra persona cerca (a una distancia segura) en caso de accidente.
- ◆ No intente utilizar la herramienta mientras se encuentre subido a un árbol, a una escalera de mano o sobre cualquier otro soporte inestable.
- ◆ Mantenga un apoyo firme sobre el suelo y conserve el equilibrio en todo momento.
- ◆ Sujete la herramienta firmemente con las dos manos mientras el motor esté en marcha.
- ◆ Mantenga las asas secas, limpias y libres de aceite y grasa. Las asas con grasa o aceite son resbaladizas y pueden provocar la pérdida de control.
- ◆ No permita que la cadena en movimiento entre en contacto con ningún objeto en la punta de la barra de guía.
- ◆ Mantenga la cadena de la sierra suficientemente tensa. Compruebe la tensión a intervalos periódicos con el motor parado y el cable desconectado.
- ◆ Empiece y siga cortando únicamente mientras la cadena gire a plena velocidad.
- ◆ Permanezca atento a las ramas movedizas y a otras fuerzas que pudieran cerrar un corte o caer sobre la cadena.
- ◆ Tenga sumo cuidado cuando reanude un corte iniciado anteriormente. Clave los dientes de la mordaza inferior en la madera y espere a que la cadena alcance la máxima velocidad antes de continuar con el corte.
- ◆ El uso de esta herramienta para realizar trabajos diferentes de aquellos para los que está pensada puede resultar peligroso. Corte únicamente madera. No utilice esta herramienta para fines no previstos, por ejemplo, para cortar plástico, obras de mampostería y otros materiales de construcción que no sean madera.
- ◆ Si quedan restos atrapados en el dispositivo protector o en la herramienta, deje de utilizarla, desconecte el cable de alimentación y elimine los restos.
- ◆ Las barras de guía y las cadenas desgastadas deben cambiarse.
- ◆ Utilice únicamente barras y cadenas de repuesto especificadas por el fabricante.

## La seguridad de terceros

- ◆ Las personas (incluidos niños) con capacidades físicas, sensoriales o mentales disminuidas o que carezcan de experiencia y conocimientos no deben utilizar esta herramienta, salvo que hayan recibido supervisión o formación con respecto al uso del aparato por parte de una persona responsable de su seguridad.
- ◆ Los niños deben vigilarse en todo momento para garantizar que el aparato no se toma como elemento de juego.

## Vibración

El valor de emisión de vibraciones declarado en el apartado de características técnicas y en la declaración de conformidad se ha calculado según un método de prueba estándar proporcionado por la norma EN60745 y podrá utilizarse para comparar una herramienta con otra. El valor de emisión de vibraciones declarado también podrá utilizarse en una evaluación preliminar de la exposición.

**¡Atención!** El valor de emisión de vibraciones durante el funcionamiento real de la herramienta eléctrica puede diferir del valor declarado en función de cómo se utilice dicha herramienta. El nivel de las vibraciones puede superar el indicado.

Al evaluar la exposición a las vibraciones con el fin de determinar las medidas de seguridad que exige la norma 2002/44/CE para proteger a las personas que utilizan periódicamente herramientas eléctricas en el entorno laboral, deberá tenerse en cuenta una estimación de la exposición a las vibraciones, las condiciones de uso reales y el modo de empleo de la herramienta, así como los pasos del ciclo operativo como, por ejemplo, el número de veces que la herramienta se apaga y se desconecta y el tiempo de activación.

## Etiquetas en las herramientas

En la herramienta aparecen los siguientes símbolos:



**¡Atención!** Para reducir el riesgo de lesiones, el usuario deberá leer el manual de instrucciones.



No utilice la sierra en lugares expuestos a la lluvia o a la humedad.



Utilice siempre protección para la cabeza, los oídos y los ojos.



Tenga cuidado con los objetos que caen.



Mantenga alejadas a otras personas.



No utilice la herramienta en escaleras de mano.



Compruebe la tensión de la cadena al cabo de diez minutos de uso. Ajustela con una holgura de 3 mm.



Lubrique la cadena cada diez minutos durante su utilización.



**¡Atención!** No toque la cadena en el punto de salida de las astillas.



Dirección de recorrido de la cadena.



Desconecte de inmediato el cable de la toma de corriente si presenta daños o está cortado.

### Seguridad eléctrica



La herramienta lleva un doble aislamiento; por lo tanto, no requiere una toma a tierra. Compruebe siempre que la tensión de la red corresponda con el valor indicado en la placa de datos de la herramienta.

- ◆ Si se dañara el cable de alimentación, deberá ser sustituido por el fabricante o por un centro de asistencia técnica autorizado de Black & Decker para evitar cualquier situación de riesgo.

### Utilización de un cable de prolongación

- ◆ Utilice siempre un cable de prolongación adecuado para la entrada de corriente de esta herramienta (consulte la ficha técnica). El cable de prolongación debe ser adecuado para su uso en exteriores y presentar las indicaciones oportunas. Se puede utilizar un cable de prolongación HO5VV-F de 1,5 mm<sup>2</sup> y de hasta 30 m sin pérdida de rendimiento del producto. Antes de utilizar el cable de prolongación, compruebe que no está dañado, gastado o deteriorado. Si está dañado o defectuoso, sustitúyalo. Cuando utilice una bobina de cable, desenrolle siempre todo el cable.

### Riesgo residual

A pesar de la aplicación de las normas de seguridad oportunas y de la implementación de medidas de seguridad, existen determinados riesgos residuales inherentes al uso de sierras para madera que no se pueden evitar. Son los siguientes:

- ◆ Riesgo de lesiones como consecuencia del contacto con piezas móviles, afiladas y calientes; ramas o restos que caen sobre el operario y otras personas u objetos; y restos que salen despedidos de la herramienta.
- ◆ Riesgo de lesiones como consecuencia de su utilización para trabajos no previstos; caída de una escalera de mano o posición de trabajo en un árbol; daños causados al cable de alimentación; uso de la herramienta en lugares húmedos o peligrosos; uso del producto por parte de niños o personas débiles; incumplimiento de la recomendación de utilizar protección personal o prendas adecuadas; e inhalación del polvo generado por el corte de madera.

Los riesgos indicados anteriormente se han abordado mediante la inclusión de advertencias en las instrucciones de seguridad o a través de las indicaciones correspondientes en la herramienta.

El valor de vibración indicado en este manual es conforme a la prueba estandarizada de la norma EN60745.

El operario no debería estar expuesto a niveles de vibración altos durante periodos prolongados. Las emisiones de vibración de esta herramienta son inferiores a 5 m/s y no superan los límites establecidos por la directiva 2002/44/CE para un funcionamiento continuo durante una jornada de ocho horas. Las condiciones de funcionamiento reales podrán variar o posiblemente incrementar el nivel de vibración con respecto a los niveles registrados en la prueba estandarizada.

### Características

1. Mordaza superior
2. Mordaza inferior
3. Barra de guía de la cadena
4. Tapa de lubricación
5. Interruptores ON/OFF (encendido/apagado)
6. Punto de salida de las astillas

### Ajuste de la tensión de la cadena (figs. A y B)

**¡Atención!** Antes de ajustar la cadena y otros componentes, compruebe que la herramienta esté apagada y desenchufada.

**¡Atención!** La barra guía y la cadena pueden estar calientes después de utilizar la herramienta. Antes de ajustarlas, deje que se enfrien.

El producto se suministra montado. Sin embargo, se recomienda comprobar la tensión de la cadena (12) y las tuercas de retención de la cadena antes de utilizar la herramienta y, si es necesario, ajustarlas.

### Comprobación y ajuste de la tensión de la cadena (fig. A)

- ◆ Para tensar la cadena (12), afloje las dos tuercas de retención de la cubierta de la cadena (7) con la llave (9) y el dispositivo tensor empujará la barra guía de la cadena (3) hacia fuera, de manera que se ajustará la tensión adecuada. Apriete firmemente las dos tuercas de retención (7).
- ◆ Tire suavemente de la cadena (12) para comprobar que se ha ajustado la tensión adecuada. La tensión es adecuada cuando la cadena vuelve a su posición inicial después de separarla 3 mm de la barra de guía (3). No debe existir flexión entre la barra de guía y la cadena en la parte inferior.

**Nota:** No tense demasiado la cadena, ya que provocará un desgaste excesivo y se reducirá la vida útil de esta y de la barra guía de la cadena. También podría reducirse el rendimiento del producto.

**Nota:** Cuando utilice la herramienta por primera vez y cuando la cadena sea nueva, compruebe la tensión con frecuencia, ya que una cadena nueva se expande ligeramente.

**Nota:** Si la cadena no puede tensarse correctamente, es posible que deba sustituirse. Póngase en contacto con el centro de asistencia técnica más cercano.

## Cambio de la cadena y la barra guía de la cadena

Después de un uso prolongado, es posible que deba sustituir la cadena (12) o la barra guía de la cadena (3). Asegúrese de utilizar únicamente repuestos recomendados por Black & Decker.

## Extracción de la cadena de sierra y la barra guía de la cadena (figs. A y B)

**¡Atención!** Utilice siempre guantes de protección cuando instale o retire la cadena de la sierra. La cadena de la sierra está afilada y puede provocar cortes cuando la herramienta no está en funcionamiento.

**¡Atención!** La barra guía y la cadena pueden estar calientes después de utilizar la herramienta. Antes de cambiarlas, deje que se enfríen.

- ◆ Coloque la herramienta sobre una superficie sólida.
- ◆ Haga girar las dos tuercas de retención (7) en sentido contrario a las agujas del reloj con la llave (9) suministrada y extráigalas por completo.
- ◆ Retire la tapa de acceso a la cadena (8).
- ◆ Abra las asas y tire hacia atrás de la mordaza superior (1).
- ◆ Tire hacia atrás de la barra guía de la cadena (3) y, a continuación, levante la cadena de sierra (12) para extraerla de la ranura de la barra guía de la cadena (3).
- ◆ Retire la cadena (12) de la unidad.
- ◆ Arquee hacia arriba la barra guía de la cadena (3), por encima de los pernos.

## Montaje de la barra guía de la cadena y la cadena (figs. C y D)

**¡Atención!** Utilice siempre guantes de protección cuando instale o retire la cadena de la sierra. La cadena de la sierra está afilada y puede provocar cortes cuando la herramienta no está en funcionamiento.

Asegúrese de realizar esta operación sobre una superficie sólida.

- ◆ Abra las asas y tire hacia atrás de la mordaza superior (1).

- ◆ Inserte la barra guía de la cadena (3) en el espacio entre el tensor de la cadena y el primer perno, y arquee dicha barra (3) hacia abajo, sobre los pernos.
- ◆ Coloque la cadena (12) alrededor de la parte delantera de la barra guía de la cadena (3) y engránela en la rueda dentada de dicha barra (3).
- ◆ Tire hacia atrás de la barra guía de la cadena (3) y la cadena (12) de manera que encaje en la ranura de dicha barra (3) y, a continuación, por encima de la rueda dentada (11), procurando que los dientes queden colocados en la posición correcta de la rueda.
- ◆ Vuelva a colocar la tapa de acceso a la cadena (8) y las tuercas de retención (7), y apriéte las firmemente.

## Uso

**¡Atención!** Deje que la herramienta funcione a su ritmo. No lo sobrecargue.

- ◆ Lleve a cabo una limpieza periódica de la unidad de la manera descrita en la sección de mantenimiento, prestando especial atención a la limpieza del interior de la tapa de acceso a la cadena.
- ◆ Las mordazas inferior (2) y superior (1) están diseñadas para cerrarse cuando se suelta una de las asas o una vez cortada la rama. Si no se cierran, deje de utilizar la herramienta y desenchufe el cable de la toma de corriente. Compruebe si existen restos que obstaculizan el movimiento. Para ello, es posible que deba retirar la tapa de acceso a la cadena (8). Si el problema persiste después del montaje, lleve la unidad a un centro de servicio autorizado.

## Lubricación (fig. E)

Antes de utilizar la herramienta por primera vez y cada diez minutos durante su utilización, es necesario lubricar el producto con el aceite para cadenas adecuado (n.º de catálogo A6027).

- ◆ Abra la tapa de lubricación (4) e inserte la botella de aceite en el orificio de llenado de aceite (10); aplique presión a la botella una vez para distribuir el aceite.

Esto debería ser suficiente para diez minutos de corte aproximadamente, en función de la velocidad de corte y el tipo de madera.

El orificio distribuye el aceite por la cadena hacia la barra guía de la cadena (3); si se aplica una cantidad excesiva de aceite a la unidad, goteará en la parte de la mordaza. Esto es normal y no debe ser motivo de preocupación.

## Encendido y apagado

**¡Atención!** No intente nunca bloquear o fijar un interruptor de encendido/apagado en la posición de encendido.

Por razones de seguridad, esta herramienta está equipada con un sistema de dos interruptores. Este sistema impide que la herramienta pueda ponerse en marcha accidentalmente.

### Encendido (fig. F)

- ◆ Sujete firmemente las asas y, a continuación, apriete ambos interruptores (5) para encender la unidad.

### Apagado (fig. F)

Suelte cualquiera de los interruptores (5).

**Nota:** Para poder utilizar la herramienta es necesario activar ambos interruptores.

No fuerce la herramienta; deje que haga el trabajo. Hará un trabajo mejor y más seguro a la velocidad para la que se ha diseñado. Si aplica una fuerza excesiva se expandirá la cadena.

Si la cadena de sierra o la barra guía de la cadena (3) se atascan:

- ◆ Apague la herramienta.
- ◆ Desconecte la herramienta de la toma de corriente.
- ◆ Abra el corte con cuñas para disminuir la presión sobre la barra guía de la cadena (3). No intente tirar de la sierra para sacarla del corte. Inicie un corte nuevo.

### Corte de ramas (fig. G)

Asegúrese de que no existen ordenanzas o normas municipales que prohíban o controlen el corte de ramas de árboles.

Antes de efectuar un corte, asegúrese de que la herramienta esté funcionando a plena velocidad.

- ◆ Sujete la herramienta firmemente para evitar que rebote o se mueva hacia los lados.
- ◆ Ejercer una ligera presión para guiar la herramienta.

Corte siempre de arriba hacia abajo. Así evitará que la cadena de la sierra quede atrapada.

- ◆ Corte las ramas como se muestra en la figura G. Empezando desde la punta de la rama, córtela en trozos pequeños.
- ◆ Retire la herramienta del corte mientras funciona a plena velocidad.

## Mantenimiento

Este aparato o herramienta con o sin cable de Black & Decker se ha diseñado para que funcione durante un largo período de tiempo con un mantenimiento mínimo. El funcionamiento satisfactorio continuado depende de un cuidado apropiado y una limpieza periódica de la herramienta.

**¡Atención!** Antes de realizar el mantenimiento de herramientas eléctricas con o sin cables:

- ◆ Apague y desenchufe el aparato o herramienta.
- ◆ O bien, apague y extraiga las pilas o la batería del aparato o herramienta, en caso de que disponga de una batería separada.
- ◆ O bien, deje que la batería se agote por completo si es integral y, a continuación, apague el aparato.
- ◆ Desenchufe el cargador antes de limpiarlo. El cargador no requiere ningún mantenimiento especial excepto la limpieza.

Limpie periódicamente las ranuras de ventilación de la herramienta, aparato o cargador con un cepillo suave o un paño seco.

Limpie periódicamente la carcasa del motor con un paño húmedo. No utilice limpiadores de base abrasiva o disolventes.

Abra regularmente el cabezal y golpéelo suavemente para eliminar los restos de polvo que haya en su interior (si se encuentra colocado).

### Limpieza

- ◆ Retire periódicamente la tapa de acceso a la cadena y elimine los restos acumulados.
- ◆ Limpie periódicamente las ranuras de ventilación con un cepillo limpio y seco.
- ◆ Para limpiar la herramienta, utilice únicamente jabón suave y un paño húmedo. Evite que penetre líquido en el interior de la herramienta y nunca sumerja ninguna parte de esta en líquido.

### Lubricación

- ◆ Engrase periódicamente los puntos de lubricación (10) según se indica en la figura B.

### Transporte

- ◆ La herramienta siempre se debe transportar con las mordazas cerradas.

### Almacenamiento

- ◆ Si la herramienta no se va a utilizar durante varios meses, limpie los componentes metálicos con aceite.
- ◆ Almacene la herramienta en un lugar seguro y seco. La temperatura de almacenamiento siempre debe estar comprendida entre +5 °C y +40 °C. Coloque el producto en un lugar seguro y nivelado.

## Protección del medio ambiente



Recogida selectiva. No se debe desechar este producto con el resto de residuos domésticos.

Si llegase el momento en que fuese necesario sustituir su producto Black & Decker o si este dejase de tener utilidad para usted, no lo deseche junto con los residuos domésticos. Sepárelo para su recogida selectiva.



La recogida selectiva de productos y embalajes usados permite el reciclaje de materiales y su reutilización. La reutilización de materiales reciclados contribuye a evitar la contaminación medioambiental y reduce la demanda de materias primas.

Las normativas municipales deben ofrecer la recogida selectiva de productos eléctricos del hogar, en puntos municipales previstos para tal fin o a través del distribuidor cuando adquiera un nuevo producto.

Black & Decker proporciona facilidades para la recogida y reciclado de los productos Black & Decker que han llegado al final de su vida útil. Para poder utilizar este servicio, le rogamos que entregue el producto a cualquier agente de servicio técnico autorizado para que se haga cargo de él en nuestro nombre.

Para consultar la dirección del agente de servicio técnico más cercano, póngase en contacto con la oficina local de Black & Decker en la dirección que se indica en este manual. Como alternativa, puede consultar en Internet la lista de servicios técnicos autorizados e información completa de nuestros servicios de posventa y contactos en la dirección siguiente: [www.2helpU.com](http://www.2helpU.com).

### Características técnicas

		GK1000 TIPO 2	GK1050 TIPO 2
Voltaje	V de ca	230	230
Potencia absorbida	W	550	600
Velocidad de la cadena (sin carga)	m/s	2.3	2.3
Diámetro de corte máximo	mm	100	100
Peso	kg	3	3

Nivel de presión acústica garantizado calculado según la directiva  
EN 60745:

$L_{pA}$  (presión acústica) 87 dB (A), incertidumbre (K) 3 dB (A)  
 $L_{WA}$  (potencia acústica) 98 dB (A), incertidumbre (K) 3 dB (A)  
 $L_{WA}$  (garantizada) 105 dB (A)  
 vibraciones soportadas en mano/brazo 4.95  $m/s^2$   
 incertidumbre (K) 1.5 dB (A)

## Declaración de conformidad CE

DIRECTIVA DE MAQUINARIAS  
DIRECTIVA SOBRE LA EMISIÓN DE RUIDO  
EN EXTERIORES



### GK1000 GK1050

Black & Decker declara que los productos descritos en los "datos técnicos" cumplen con lo siguiente:

2006/42/CE y EN 60745-1

2000/14/CE, Sierra de cadena, Anexo V

Nivel de potencia acústica de acuerdo con la directiva  
2000/14/CE

$L_{WA}$ (potencia acústica medida)	dB	98
$L_{WA}$ (potencia acústica garantizada)	dB	101

Estos productos también cumplen con la directiva  
2004/108/CE y 2011/65/CE

Si desea obtener más información, póngase en contacto con Black & Decker a través de la siguiente dirección o consulte el dorso del manual.

La persona que firma a continuación es responsable de la recopilación del archivo técnico y realiza esta declaración en nombre de Black & Decker.

Kevin Hewitt

Vicepresidente de ingeniería global  
Black & Decker Europe, 210 Bath Road, Slough,  
Berkshire, SL1 3YD  
Reino Unido  
17/05/2012

## Garantía

Black & Decker confía plenamente en la calidad de sus productos y ofrece una garantía extraordinaria. Esta declaración de garantía es un añadido, y en ningún caso un perjuicio para sus derechos legales. La garantía es válida dentro de los territorios de los Estados miembros de la Unión Europea y de los de la Zona Europea de Libre Comercio.

Si un producto Black & Decker resultara defectuoso debido a materiales o mano de obra defectuosos o a la falta de conformidad, Black & Decker garantiza, dentro de los 24 meses de la fecha de compra, la sustitución de las piezas defectuosas, la reparación de los productos sujetos a un desgaste y rotura razonables o la sustitución de tales productos para garantizar al cliente el mínimo de inconvenientes, a menos que:

- ◆ El producto se haya utilizado con propósitos comerciales, profesionales o de alquiler.
- ◆ El producto se haya sometido a un uso inadecuado o negligente.
- ◆ El producto haya sufrido daños causados por objetos, sustancias extrañas o accidentes.
- ◆ Se hayan realizado reparaciones por parte de personas que no sean agentes de servicio técnico autorizado o personal de servicios de Black & Decker.

Para reclamar en garantía, será necesario que presente la prueba de compra al vendedor o al agente de servicio técnico autorizado. Puede consultar la dirección de su agente de servicio técnico más cercano si se pone en contacto con la oficina local de Black & Decker en la dirección que se indica en este manual. Como alternativa, se puede consultar en Internet la lista de servicios técnicos autorizados e información completa de nuestros servicios de postventa y contactos, en la dirección siguiente:

**[www.2helpU.com](http://www.2helpU.com)**.

Visite el sitio web **[www.blackanddecker.eu](http://www.blackanddecker.eu)** para registrar su nuevo producto Black & Decker y estar al día sobre productos y ofertas especiales. Encontrará información adicional sobre la marca Black & Decker y nuestra gama de productos en **[www.blackanddecker.eu](http://www.blackanddecker.eu)**.

## Utilização prevista

A podadeira Black & Decker Alligator™ foi concebida para podar os ramos de árvores, cortar ramos caídos e cortar troncos pequenos com um diâmetro de 25 mm a 100 mm, quando o operador estiver em pé sobre o solo. Esta ferramenta destina-se apenas a utilização doméstica.

## Instruções de segurança

### Avisos de segurança gerais para ferramentas eléctricas



**Advertência! Leia com atenção todos os avisos de segurança e instruções.** O não cumprimento de todas as instruções pode resultar em choque eléctrico, incêndio e/ou graves lesões.

### Guarde todos os avisos e instruções para consulta futura.

- a. A expressão "ferramenta eléctrica" utilizada a seguir refere-se a ferramentas eléctricas com ligação à corrente eléctrica (com cabo) ou com bateria (sem fios).
1. **Segurança na área de trabalho**
    - a. **Mantenha a área de trabalho limpa e bem iluminada.** Áreas desarrumadas e mal iluminadas são propícias a acidentes.
    - b. **Não trabalhe com ferramentas eléctricas em áreas com risco de explosão, nas quais se encontrem líquidos, gases ou poeiras inflamáveis.** As ferramentas eléctricas produzem faíscas que podem provocar a ignição de poeiras ou vapores.
    - c. **Mantenha crianças e outras pessoas afastadas durante a utilização da ferramenta eléctrica.** As distrações podem dar origem a que perca o controlo da ferramenta.
  2. **Segurança eléctrica**
    - a. **A ficha da ferramenta eléctrica deve caber na tomada. A ficha não deve ser modificada de modo algum. Não utilize quaisquer fichas adaptadoras em ferramentas eléctricas com ligação à terra.** Fichas sem modificações e tomadas adequadas reduzem o risco de choques eléctricos.
    - b. **Evite que o corpo entre em contacto com superfícies ligadas à terra, como tubos, radiadores, fogões e frigoríficos.** Existe um maior risco de choque eléctrico se o seu corpo estiver ligado à terra.
    - c. **As ferramentas eléctricas não podem ser expostas a chuva nem humidade.** A penetração de água na ferramenta eléctrica aumenta o risco de choques eléctricos.
    - d. **Manuseie o cabo com cuidado. O cabo não deve ser utilizado para transportar ou pendurar a ferramenta, nem para puxar a ficha da tomada. Mantenha o cabo afastado de calor, óleo, pontas afiadas ou partes móveis.** Cabos danificados ou torcidos aumentam o risco de choques eléctricos.
  - e. **Quando trabalhar com uma ferramenta eléctrica ao ar livre, utilize um cabo de extensão apropriado para esse fim.** A utilização de um cabo apropriado para áreas ao ar livre reduz o risco de choques eléctricos.
  - f. **Se for inevitável trabalhar com uma ferramenta eléctrica num local húmido, utilize um Dispositivo de Corrente Residual (RCD).** A utilização de um RCD reduz o risco de choque eléctrico.
3. **Segurança pessoal**
    - a. **Mantenha-se atento, observe o que está a fazer e seja prudente ao trabalhar com a ferramenta eléctrica. Não utilize uma ferramenta eléctrica se estiver cansado ou sob a influência de drogas, álcool ou medicamentos.** Um momento de falta de atenção durante a utilização de ferramentas eléctricas poderá causar graves lesões.
    - b. **Utilize equipamento de protecção pessoal. Use sempre óculos de protecção.** Equipamento de protecção como, por exemplo, máscara anti-poeiras, sapatos de segurança anti-derrapantes, capacete de segurança ou protecção auricular, de acordo com o tipo e a aplicação de ferramenta eléctrica, reduz o risco de lesões.
    - c. **Evite arranques involuntários. Certifique-se de que o botão está desligado antes de ligar a ferramenta à corrente eléctrica e/ou à bateria, pegando ou transportando a ferramenta.** Transportar ferramentas eléctricas com o dedo no botão ou ligar ferramentas eléctricas à tomada com o interruptor na posição de ligado pode dar origem a acidentes.
    - d. **Retire eventuais chaves de ajuste ou chaves de fenda, antes de ligar a ferramenta eléctrica.** Uma chave de fenda ou chave de ajuste que se encontre numa peça em rotação da ferramenta eléctrica poderá causar lesões.
    - e. **Não se incline. Mantenha-se sempre bem posicionado e em equilíbrio.** Desta forma, será mais fácil controlar a ferramenta eléctrica em situações inesperadas.
    - f. **Utilize vestuário adequado. Não utilize roupas largas nem jóias. Mantenha o cabelo, roupa e luvas afastados de peças em movimento.** Roupas largas, jóias ou cabelos longos podem ficar presos nas peças em movimento.
    - g. **Se for prevista a montagem de dispositivos de extracção e recolha de pó, assegure-se de que estão ligados e que são utilizados de forma correcta.** A utilização destes dispositivos reduz os riscos relacionados com pó.

- 4. Utilização e manutenção da ferramenta eléctrica**
- Não sobrecarregue a ferramenta eléctrica. Utilize a ferramenta eléctrica adequada para o trabalho pretendido.** A ferramenta eléctrica correcta realizará o trabalho de forma melhor e mais segura, com a potência com que foi concebida.
  - Não utilize a ferramenta eléctrica se o interruptor não puder ser ligado nem desligado.** Qualquer ferramenta eléctrica que não possa ser controlada com o interruptor é perigosa e terá de ser reparada.
  - Desligue a ficha da tomada e/ou a bateria da tomada antes de proceder a ajustes, trocar acessórios ou guardar ferramentas eléctricas.** Estas medidas de prevenção de segurança reduzem o risco de ligação inadvertida da ferramenta eléctrica.
  - Mantenha as ferramentas eléctricas que não estiverem a ser utilizadas fora do alcance de crianças. Não permita que a ferramenta eléctrica seja utilizada por pessoas não familiarizadas com a mesma ou que não tenham lido estas instruções.** As ferramentas eléctrica são perigosas se utilizadas por pessoas não qualificadas.
  - Efectue a manutenção das ferramentas eléctricas. Verifique se as partes móveis estão desalinhadas ou bloqueadas, se existem peças partidas ou qualquer outra situação que possa afectar o funcionamento das ferramentas eléctricas. As peças danificadas devem ser reparadas antes da utilização da ferramenta eléctrica.** Muitos acidentes têm como causa uma manutenção insuficiente das ferramentas eléctricas.
  - Mantenha as ferramentas de corte sempre afiadas e limpas.** As ferramentas de corte com a manutenção adequada e as extremidades afiadas bloqueiam com menos frequência e são mais fáceis de controlar.
  - Utilize a ferramenta eléctrica, acessórios e peças de ferramenta de acordo com estas instruções, considerando as condições de trabalho e a tarefa a ser executada.** A utilização da ferramenta eléctrica para fins diferentes dos previstos pode resultar em situações perigosas.
- 5. Reparação**
- A sua ferramenta eléctrica só deve ser reparada por pessoal qualificado e só devem ser colocadas peças sobressalentes originais.** Isso garante a manutenção da segurança da ferramenta eléctrica.

**Instruções de segurança adicionais para a podadeira Alligator™**

**Advertência!** Nunca utilize a ferramenta acima da altura dos ombros. Desvie-se sempre da trajectória de queda de ramos e detritos.

**Advertência!** Não utilize esta ferramenta para abater árvores.

- ◆ Mantenha todas as partes do corpo e vestuário sempre afastadas da corrente da serra. Segure a ferramenta à sua frente e esteja atento à posição da corrente da serra, em especial quando estiver a cortar ramos junto ao chão. Antes de a ligar, certifique-se de que a corrente da serra não está em contacto com nada.
- ◆ Planeie de antemão uma saída segura para se desviar dos ramos e detritos que caem. Certifique-se de que o caminho de saída não tem quaisquer obstáculos que possam impedir ou afectar o movimento. Lembre-se de que a relva molhada e as cascas de árvore cortadas recentemente podem ser escorregadias.
- ◆ Esteja atento à direcção possível de queda do ramo. Analise todos os elementos que possam afectar a direcção da queda, incluindo:
  - A direcção pretendida da queda.
  - A inclinação natural do ramo.
  - A existência de alguma estrutura ou apodrecimento de madeira pesada.
  - As árvores e obstáculos envolventes, incluindo linhas aéreas.
  - A velocidade e direcção do vento.
- ◆ A distância de segurança entre um ramo a cortar e os seus detritos e as pessoas presentes, os edifícios e outros objectos é, no mínimo, 2 1/2 vezes o comprimento do ramo. Todas as pessoas presentes, edifícios ou objectos que se encontrem dentro desta distância correm o risco de serem atingidos pela queda do ramo.
- ◆ Quando estiver a cortar uma madeira sob tensão, esteja atento à recuperação elástica. Quando a tensão das fibras de madeira for libertada, a madeira sob tensão pode atingir o operador e/ou provocar o descontrolo da ferramenta.
- ◆ Utilize sempre equipamento de segurança adequado, nomeadamente calçado de segurança antiderrapante, capacete de segurança, óculos de protecção, protecções auditivas e luvas quando estiver a utilizar a ferramenta.
- ◆ Certifique-se de que tem alguém nas imediações (a uma distância segura) na eventualidade de ocorrer um acidente.
- ◆ Não tente operar a ferramenta quando estiver em cima de uma árvore, escada ou de um apoio instável.
- ◆ Mantenha-se sempre bem posicionado e em equilíbrio.
- ◆ Segure bem a ferramenta com ambas as mãos quando o motor estiver ligado.

- ◆ Mantenha as pegas secas, limpas e sem qualquer óleo ou gordura. As pegas com óleo são escorregadias, podendo provocar a perda de controlo.
- ◆ Não deixe a corrente em movimento entrar em contacto com nenhum outro objecto na ponta da barra de orientação da corrente.
- ◆ Mantenha a corrente de corte com a tensão adequada. Verifique a tensão regularmente, com o motor e o cabo desligados.
- ◆ Comece e execute o corte apenas quando tiver a corrente a deslocar-se na velocidade máxima.
- ◆ Preste atenção ao movimento dos ramos ou de outras forças que possam fechar um corte e exercer pressão ou cair na corrente.
- ◆ Tenha muito cuidado quando retomar um corte anterior. Coloque as pontas de ferro da garra inferior junto à madeira e deixe que a corrente atinja a velocidade máxima antes de prosseguir com o corte.
- ◆ A utilização desta ferramenta em operações diferentes daquelas para as quais foi concebida poderá originar situações perigosas. Corte apenas madeira. Não utilize esta ferramenta para fins não planeados - por exemplo - Não utilize a ferramenta para cortar plástico, pedra ou materiais de construção que não sejam de madeira.
- ◆ Se alguns detritos ficarem presos na protecção ou ferramenta, interrompa a sua utilização, desligue o cabo de alimentação e limpe os detritos.
- ◆ As correntes e barras de orientação de correntes gastas devem ser substituídas.
- ◆ Utilize apenas as barras e correntes de substituição indicadas pelo fabricante.

## Segurança de terceiros

- ◆ Esta ferramenta não deve ser utilizada por pessoas (incluindo crianças) que apresentem capacidades físicas, sensoriais ou mentais reduzidas ou que não possuam os conhecimentos e a experiência necessários, excepto se forem vigiadas e instruídas acerca da utilização do aparelho por uma pessoa responsável pela sua segurança.
- ◆ As crianças deverão ser vigiadas para que não mexam no aparelho.

## Vibração

Os valores de emissão de vibração declarados na secção de dados técnicos e na declaração de conformidade foram medidos de acordo com o método de teste padrão fornecido pela norma EN 60745 e podem ser utilizados para comparar ferramentas. O valor de emissão de vibração declarado pode ainda ser utilizado numa avaliação preliminar de exposição.

**Advertência!** O valor de emissão de vibração durante a utilização actual da ferramenta eléctrica pode ser diferente do valor declarado, dependendo da forma como a ferramenta é utilizada. O nível de vibração pode aumentar acima do nível indicado.

Quando avaliar a exposição da vibração para determinar as medidas de segurança exigidas pela norma 2002/44/CE para proteger pessoas que utilizem regularmente ferramentas eléctricas, deve ser considerada uma estimativa de exposição de vibração, as actuais condições de utilização e o modo de como a ferramenta é utilizada, incluindo ainda todas as partes do ciclo de funcionamento, como os períodos de inactividade e espera da ferramenta, para além do tempo de funcionamento.

## Rótulos nas ferramentas

A ferramenta contém os seguintes símbolos:



**Advertência!** Para reduzir o risco de lesões, o utilizador deve ler o manual de instruções.



Não utilize a serra sob condições húmidas nem a exponha à chuva.



Utilize sempre protecções para a cabeça, ouvidos e olhos.



Esteja atento à queda de objectos.



Mantenha as outras pessoas afastadas.



Não utilize quando estiver numa escada.



Verifique a tensão da corrente após cada 10 minutos de utilização. Ajuste-a até obter uma folga de 3 mm.



Lubrifique a corrente após cada 10 minutos de utilização.



**Advertência!** Não toque na corrente no ponto de eliminação de lascas.



Direcção de deslocação da corrente.



Desligue imediatamente o cabo da ficha principal se este ficar danificado ou cortado.

## Segurança eléctrica



Esta ferramenta tem um isolamento duplo e, por isso, não é necessário um fio de terra. Verifique sempre se a fonte de alimentação corresponde à tensão indicada na placa de especificações.

- ◆ Se o cabo de alimentação estiver danificado, terá de ser substituído pelo fabricante ou por um centro de assistência autorizado Black & Decker para evitar acidentes.

### Utilizar um cabo de extensão

- ◆ Utilize sempre um cabo de extensão aprovado e adequado para a potência desta ferramenta (ver dados técnicos). O cabo de extensão deve ser adequado para utilização ao ar livre e marcado em conformidade. Pode utilizar um cabo de extensão HO5VV-F de 1,5 mm<sup>2</sup> até 30 m sem perda do desempenho do produto. Antes da utilização, verifique se o cabo de extensão apresenta sinais de envelhecimento, danos ou desgaste. Substitua o cabo de extensão se este se encontrar danificado ou avariado. Quando utilizar um enrolador de cabo, desenrole sempre o cabo totalmente.

### Risco residual

Apesar da aplicação das regulamentações de segurança relevantes e da implementação de medidas de segurança, existem alguns riscos residuais associados à utilização de serras de corte de madeira, que não podem ser evitados. Estes são:

- ◆ Risco de lesões provocadas pelo contacto com peças em movimento, peças afiadas, peças quentes, ramos ou detritos que caíam sobre o operador, outras pessoas nas imediações ou na propriedade, bem como por detritos eliminados pela ferramenta.
- ◆ Risco de lesões provocadas por uma utilização não prevista, queda de uma escada ou de uma posição de trabalho numa árvore, danos no cabo de alimentação, utilização da ferramenta em locais húmidos ou perigosos, utilização do produto por crianças ou pessoas doentes, a não utilização de protecções ou vestuário adequado, a respiração de poeira provocada pelo corte de madeira.

Os riscos apresentados acima foram abordados através da inclusão de avisos nas instruções de segurança e/ou marcações aplicadas na ferramenta.

O valor de vibração indicado neste manual está em conformidade com o teste padrão da norma EN 60745. O operador não se deve expor a níveis elevados de vibração durante períodos prolongados. As emissões de vibração desta ferramenta são inferiores a 5m/s e encontram-se dentro dos limites definidos pela norma 2002/44/CE para uma operação contínua num dia de 8 horas. As condições operacionais reais podem variar ou eventualmente aumentar o nível de vibração dos registados no teste padrão.

### Características

1. Garra superior
2. Garra inferior
3. Barra de orientação de corrente
4. Cobertura para lubrificação
5. Interruptores para ligar/desligar
6. Ponto de eliminação de lascas

### Ajuste de tensão da corrente (fig. A e B)

**Advertência!** Antes da montagem da corrente ou de outros ajustes, certifique-se de que a ferramenta está desligada e de que o cabo não está ligado à corrente eléctrica.

**Advertência!** A barra de orientação e a corrente podem estar quentes depois de serem utilizadas. Deixe que arrefeçam antes de ajustar.

O produto já vem montado. No entanto, recomendamos que verifique a tensão da corrente (12) e as porcas de retenção da corrente antes de o utilizar, e que faça os ajustes necessários.

### Verificar e ajustar a tensão da corrente (fig. A)

- ◆ Para definir a tensão da corrente (12), desaparafuse ligeiramente as duas porcas de retenção de cobertura (7) com a chave inglesa (9) e o dispositivo de tensão da corrente irá empurrar a barra de orientação da corrente (3) para fora, estabelecendo a tensão correcta. Aperte as duas porcas de retenção (7) com firmeza.
- ◆ Verifique se foi estabelecida a tensão correcta, puxando ligeiramente a corrente (12). A tensão está correcta quando a corrente faz pressão após ser puxada 3 mm na direcção oposta à barra de de orientação (3). Não deve existir nenhuma folga entre a barra de orientação e a corrente na parte inferior.

**Nota:** Não aplique uma tensão excessiva na corrente de serra, pois isto pode provocar um desgaste excessivo e reduzir o tempo de duração da barra de orientação da corrente e da corrente. Também irá afectar o desempenho do produto.

**Nota:** Quando utilizar o produto pela primeira vez e quando a corrente for nova, verifique frequentemente a tensão, pois uma corrente nova tem tendência a esticar ligeiramente.

**Nota:** Se não for possível definir a tensão correcta da corrente, poderá existir a necessidade de a substituir. Contacte o serviço de assistência mais próximo.

## Substituir a corrente e a barra de orientação da corrente

Após uma utilização prolongada, poderá ter de substituir a corrente (12) e/ou a barra de orientação da corrente (3). Certifique-se de que utiliza apenas peças de substituição recomendadas pela Black & Decker.

## Remover a corrente de serra e a barra de orientação da corrente (fig. A e B)

**Advertência!** Utilize sempre luvas de protecção durante a instalação ou remoção da corrente de corte. A corrente de corte está afiada e pode cortá-lo quando não estiver a ser utilizada.

**Advertência!** A barra de orientação e a corrente podem estar quentes depois de serem utilizadas. Deixe que arrefeçam antes de as substituir.

- ◆ Coloque a ferramenta numa superfície estável.
- ◆ Rode as duas porcas de retenção (7) no sentido inverso ao dos ponteiros do relógio com a chave inglesa (9) incluída e retire-as totalmente.
- ◆ Retire a cobertura de acesso à corrente (8).
- ◆ Abra as pegas e puxe a garra superior (1).
- ◆ Puxe a barra de orientação da corrente (3) e, em seguida, levante a corrente de serra (12) para fora do orifício na barra de orientação da corrente (3).
- ◆ Remova a corrente (12) da unidade.
- ◆ Incline a barra de orientação da corrente (3) para cima e sobre os parafusos.

## Montar a barra de orientação da corrente e a corrente (fig. C e D)

**Advertência!** Utilize sempre luvas de protecção durante a instalação ou remoção da corrente de corte. A corrente de corte está afiada e pode cortá-lo quando não estiver a ser utilizada.

Certifique-se de que a operação é executada numa superfície estável.

- ◆ Abra as pegas e puxe a garra superior (1).
- ◆ Coloque a barra de orientação da corrente (3) no espaço entre o tensor de corrente e o primeiro parafuso, incline a barra de orientação da corrente (3) para baixo, colocando-a sobre os parafusos.
- ◆ Coloque a corrente (12) em torno da parte frontal da barra de orientação da corrente (3) e encaixe-a no dente de roda da ponta da barra de orientação da corrente (3).

- ◆ Puxe a barra de orientação da corrente (3) e a corrente (12) para trás, encaixando-a na ranhura da barra de orientação da corrente e, em seguida, sobre a roda dentada (11), posicionando os dentes na posição correcta na roda dentada.
- ◆ Volte a colocar a cobertura de acesso à corrente (8) e as porcas de retenção (7) com firmeza.

## Utilização

**Advertência!** Deixe a ferramenta funcionar ao seu próprio ritmo. Não a sobrecarregue.

- ◆ Limpe regularmente a unidade, tal como descrito na secção de manutenção e, em especial, limpe o interior da cobertura de acesso à corrente.
- ◆ A garra inferior (2) e a garra superior (1) foram concebidas para se fecharem quando uma das pegas for libertada ou após a conclusão do corte de um pedaço de ramo. Se isto não suceder, interrompa a utilização da ferramenta e retire a ficha da tomada. Verifique se existem detritos a bloquear o movimento. Para facilitar este processo, pode ser necessário remover a cobertura de acesso à corrente (8). Se após a montagem o problema persistir, leve a unidade a um centro de assistência autorizado.

## Lubrificação (fig. E)

Antes de utilizar pela primeira vez e a cada dez minutos de utilização, deve lubrificar o produto com o óleo de corrente adequado (Nº de Cat. A6027).

- ◆ Abra a cobertura para lubrificação (4) e introduza o frasco de óleo no orifício de enchimento de óleo (10), exercendo alguma pressão no frasco para aplicar o óleo.

Isto será suficiente para aproximadamente 10 minutos de corte, dependendo da velocidade de corte e do tipo de madeira.

O orifício deixa passar o óleo através da corrente na barra de orientação da corrente (3) e se for aplicada uma quantidade excessiva de óleo na unidade, isso pode fazer com que o óleo verta da unidade em torno da zona da garra. Isto é normal e não representa um motivo de preocupação.

## Ligar e desligar

**Advertência!** Nunca tente bloquear ou fixar um interruptor de ligação na posição de ligado.

Para a sua segurança, esta ferramenta está equipada com um sistema de dois interruptores. Este sistema impede que a ferramenta seja ligada acidentalmente.

### Ligar (fig. F)

- ◆ Segure as pegas com firmeza e pressione ambos os interruptores de ligação (5) para ligar a unidade.

### Desligar (fig.F)

Liberte ambos os interruptores de ligação (5).

**Nota:** Deve ligar ambos os interruptores de ligação para poder utilizar o produto.

Não force a ferramenta, deixe que esta execute o trabalho. Irá fazer um trabalho melhor e mais seguro à velocidade para a qual a ferramenta foi concebida. Uma força excessiva irá esticar a corrente.

Se a corrente da serra ou barra de orientação da corrente (3) ficar encravada:

- ◆ Desligue a ferramenta.
- ◆ Desligue a ferramenta da alimentação principal.
- ◆ Abra o corte com calços para aliviar a tensão exercida sobre a barra de orientação da corrente (3). Não tente libertar a serra à força. Inicie um novo corte.

### Podar ramos (fig. G)

Certifique-se de que não existem quaisquer leis ou regulamentações locais que impeçam ou regulem a poda de pernadas de árvores.

Certifique-se de que a ferramenta está a funcionar à velocidade máxima antes de efectuar um corte.

- ◆ Segure a ferramenta com firmeza na posição de corte para evitar um eventual salto ou deslocamento lateral da ferramenta.
- ◆ Guie a ferramenta, aplicando uma ligeira pressão.

Corte sempre de cima para baixo. Desta forma, não exerce pressão sobre a corrente de corte.

- ◆ Retire os ramos tal como indicado na fig G, começando pela ponta do ramo, reduza o tamanho do ramo em passos lógicos, cortando secções pequenas.
- ◆ Retire a ferramenta do corte enquanto esta estiver a funcionar na velocidade máxima.

### Manutenção

O seu aparelho/ferramenta Black & Decker com fios/sem fios foi concebido para funcionar durante um longo período de tempo com uma manutenção mínima. Um funcionamento contínuo e satisfatório depende de uma manutenção adequada e da limpeza regular da ferramenta.

**Advertência!** Antes de proceder a qualquer acção de manutenção em ferramentas eléctricas com cabo/sem fios:

- ◆ Desligue o aparelho/ferramenta e retire a respectiva ficha da tomada.
- ◆ Ou desligue e remova a pilha do aparelho/ferramenta caso o aparelho/ferramenta tenha uma bateria individual.

- ◆ Ou deixe a pilha descarregar completamente se estiver incorporada e, em seguida, desligue-a.
- ◆ Desligue o carregador antes de o limpar. O seu carregador não necessita de manutenção para além da limpeza regular.

Limpe regularmente as aberturas de ventilação do aparelho/ferramenta/carregador com uma escova suave ou um pano seco.

Limpe regularmente o compartimento do motor com um pano húmido. Não utilize nenhum produto de limpeza abrasivo ou a base de solvente.

Abra o mandril regularmente e bata no mesmo para remover qualquer vestígio de pó do seu interior (quando colocado).

### Limpeza

- ◆ Retire regularmente a cobertura de acesso à corrente e retire quaisquer detritos que possam ter ficado presos.
- ◆ Limpe regularmente os encaixes de ventilação com uma escova limpa e seca.
- ◆ Para limpar a ferramenta, utilize apenas sabão neutro e um pano húmido. Nunca deixe nenhum líquido entrar na ferramenta e nunca submerja nenhuma parte da ferramenta em líquido.

### Lubrificação

- ◆ Lubrifique regularmente os pontos de lubrificação (10), tal como indicado na fig. B.

### Transporte

- ◆ Transporte sempre a ferramenta com as garras fechadas.

### Armazenamento

- ◆ Quando não for utilizar a ferramenta durante vários meses, lubrifique todos os componentes metálicos.
- ◆ Guarde a ferramenta num local seguro e seco. A temperatura de armazenamento deve situar-se sempre entre + 5°C e + 40°C. Coloque o produto num local nivelado e seguro.

### Protecção do ambiente



Recolha separada. Este produto não pode ser eliminado juntamente com os resíduos domésticos normais.

Se, em algum momento, for necessário substituir o aparelho ou se este deixar de ter utilidade, não elimine o produto num caixote do lixo. Este produto pode ser separado para reciclagem.



A recolha separada de produtos e embalagens usados permite que os materiais sejam reciclados e reutilizados. A reutilização de materiais reciclados ajuda a evitar a poluição ambiental e reduz a procura de matérias-primas.

A legislação local poderá prever a recolha separada de produtos domésticos eléctricos, seja em lixeiras municipais ou através do revendedor quando adquire um produto novo.

A Black & Decker dispõe de instalações para recolha e reciclagem de produtos Black & Decker quando estes atingem o fim da sua vida útil. Para usufruir deste serviço, devolva o produto em qualquer agente de reparação autorizado, que os recolherá em seu nome.

Pode verificar a localização do agente de reparação autorizado mais perto de si, contactando os escritórios locais da Black & Decker através do endereço indicado neste manual. Se preferir, pode encontrar na Internet uma lista de agentes de reparação autorizados Black & Decker, detalhes completos e contactos do serviço pós-venda, no endereço: [www.2helpU.com](http://www.2helpU.com).

**Dados técnicos**

		GK1000	GK1050
		TIPO 2	TIPO 2
Tensão	V <sub>CA</sub>	230	230
Potência de entrada	W	550	600
Velocidade da corrente (sem carga)	m/s	2.3	2.3
Diâmetro máximo de corte	mm	100	100
Peso	kg	3	3

Nível de pressão acústica garantido, medido de acordo com EN 60745:

L<sub>pA</sub> (pressão acústica) 87 dB(A), imprecisão (K) 3 dB(A)  
 L<sub>wA</sub> (potência acústica) 98 dB(A), imprecisão (K) 3 dB(A)  
 L<sub>wA</sub> (garantido) 105 dB(A)  
 vibração medida da mão/do braço 4.95 m/s<sup>2</sup>  
 imprecisão (K) 1.5 dB(A)

**Declaração de conformidade CE**

DIRECTIVA MÁQUINAS  
 DIRECTIVA DE RUÍDO AMBIENTE



**GK1000 GK1050**

A Black & Decker declara que os produtos descritos em “dados técnicos” estão em conformidade com as seguintes normas:

2006/42/CE e EN 60745-1

2000/14/CE, Serra de Corrente, Anexo V

Nível de potência acústica de acordo com 2000/14/CE

L<sub>wA</sub> (potência sonora medida) dB 98  
 L<sub>wA</sub> (potência sonora garantida) dB 101

Estes produtos estão também em conformidade com a Directiva 2004/108/CE e 2011/65/CE

Para obter mais informações, contacte a Black & Decker no endereço indicado ou consulte a parte posterior do manual.

O signatário é responsável pela compilação do ficheiro técnico e efectua esta declaração em nome da Black & Decker.

Kevin Hewitt  
 Vice-Presidente, Engenharia Global  
 Black & Decker Europe, 210 Bath Road, Slough,  
 Berkshire, SL1 3YD  
 Reino Unido  
 17/05/2012

## Garantia

A Black & Decker confia na qualidade dos seus produtos e oferece uma garantia excelente. Esta declaração de garantia é um complemento dos seus direitos estabelecidos por lei, não os prejudicando de forma alguma. A garantia é válida nos territórios dos Estados Membros da União Europeia e da Associação Europeia de Comércio Livre.

Se um produto Black & Decker avariar devido a defeitos de material, fabrico ou não conformidade, num período de 24 meses após a data da compra, a Black & Decker garante a substituição das peças defeituosas, a reparação de produtos sujeitos a um desgaste aceitável ou a substituição dos mesmos para garantir o mínimo de inconvenientes ao cliente, excepto se:

- ◆ O produto tiver sido utilizado para fins comerciais, profissionais ou de aluguer.
- ◆ O produto tiver sido submetido a utilização indevida ou descuido.
- ◆ O produto tiver sido danificado por objectos estranhos, substâncias ou acidentes.
- ◆ Tiverem sido tentadas reparações por pessoas que não sejam agentes de reparação autorizados ou técnicos de manutenção da Black & Decker.

Para accionar a garantia, terá de apresentar comprovativos de compra ao vendedor ou a um agente de reparação autorizado. Pode verificar a localização do agente de reparação autorizado mais perto de si, contactando os escritórios locais da Black & Decker através do endereço indicado neste manual. Se preferir, pode encontrar na Internet uma lista de agentes de reparação autorizados Black & Decker, detalhes completos e contactos do serviço pós-venda, no endereço: **[www.2helpU.com](http://www.2helpU.com)**.

Visite o nosso website **[www.blackanddecker.eu](http://www.blackanddecker.eu)** para registar o novo produto Black & Decker e manter-se actualizado relativamente a novos produtos e ofertas especiais. Pode encontrar mais informações sobre a marca Black & Decker e a nossa gama de produtos em **[www.blackanddecker.eu](http://www.blackanddecker.eu)**.

## Användningsområde

Din Black & Decker Alligator™ Lopper har konstruerats för arbete som användaren utför stående på marken, exempelvis kvistning, kapning av nedfallna grenar och grenar som är 25 till 100 mm i diameter. Verktyget är endast avsett som konsumentverktyg.

## Säkerhetsinstruktioner

### Allmänna säkerhetsanvisningar för elverktyg



**Varning! Läs alla säkerhetsföreskrifter och alla anvisningar.** Om anvisningarna nedan inte följs kan det orsaka elektriska stötar, brand och/eller allvarliga kroppsskador.

### Spara alla säkerhetsföreskrifter och anvisningar för framtida bruk.

- a. Begreppet "elverktyg" nedan syftar på nätdrivna elverktyg (med nätsladd) och batteridrivna elverktyg (sladdlösa).
1. **Säkerhet i arbetsområdet**
    - a. **Håll arbetsplatsen ren och välbelyst.** Oreda och dålig belysning på arbetsplatsen kan leda till olyckor.
    - b. **Använd inte elverktyget i miljöer med explosionsrisk, t.ex. där det finns brännbara vätskor, gaser eller damm.** Elverktyg alstrar gnistor som kan antända dammet eller gaserna.
    - c. **Håll barn och andra personer på betryggande avstånd under arbetet med elverktyg.** Om du blir störd kan du förlora kontrollen över elverktyget.
  2. **Elektrisk säkerhet**
    - a. **Elverktygets stickkontakt måste passa i eluttaget. Stickkontakten får absolut inte ändras. Använd inte adapterkontakter tillsammans med jordade elverktyg.** Med oförändrade stickkontakter och passande vägguttag minskas risken för elstöt.
    - b. **Undvik kroppskontakt med jordade ytor som t.ex. rör, värmelement, spisar och kylskåp.** Risken för elektriska stötar ökar om din kropp är jordad.
    - c. **Skydda elverktyget mot regn och väta.** Om vatten tränger in i ett elverktyg ökar risken för elektriska stötar.
    - d. **Hantera inte nätsladden ovarsamt. Använd inte sladden för att bära eller dra elverktyget och inte heller för att dra ut kontakten ur vägguttaget. Håll nätsladden borta från värme, olja, skarpa kanter och rörliga maskindelar.** Risken att du får en elstöt är större om sladdarna är skadade eller tilltrasslade.
    - e. **Använd endast förlängningssladdar som är godkända för utomhusbruk när du arbetar med elverktyg utomhus.** Om du använder en förlängningssladd som är avsedd för utomhusbruk minskar risken för att du ska få en elstöt.
  - f. **Om du måste använda ett elverktyg på en fuktig plats ska du använda jordfelsbrytare.** Jordfelsbrytaren minskar risken för elektriska stötar.
3. **Personlig säkerhet**
    - a. **Var uppmärksam, se på vad du gör och använd elverktyget med förnuft. Använd inte elverktyget när du är trött eller om du är påverkad av droger, alkohol eller mediciner.** Vid användning av elverktyg kan även en kort tids uppmärksamhet leda till allvarliga kroppsskador.
    - b. **Använd skyddsutrustning. Bär alltid skyddsglasögon.** Den personliga skyddsutrustningen, t.ex. dammfiltermask, halkfria säkerhetsskor, hjälm och hörselskydd, minskar risken för kroppsskada när den används vid rätt tillfällen.
    - c. **Undvik oavsiktlig igångsättning. Kontrollera att strömbrytaren står i avstängt läge innan du ansluter verktyget till elnätet eller sätter i batteriet, samt innan du tar upp eller bär verktyget.** Det kan vara mycket farligt att bära ett elverktyg med fingret på strömbrytaren eller koppla det till nätet respektive sätta i batteriet med strömbrytaren i till-läge.
    - d. **Ta bort alla inställningsverktyg och skruvnycklar innan du startar elverktyget.** Ett verktyg eller en nyckel i en roterande komponent kan orsaka kroppsskada.
    - e. **Sträck dig inte för långt. Se till att du alltid har säkert fotfäste och balans.** Därmed har du bättre kontroll över elverktyget i oväntade situationer.
    - f. **Bär lämpliga kläder. Bär inte löst hängande kläder eller smycken. Håll undan hår, kläder och handskar från rörliga delar.** Löst hängande kläder, smycken och långt hår kan fastna i roterande delar.
    - g. **Om elverktyget har utrustning för dammsugning och -uppsamling ska du kontrollera att den är korrekt monterad och används på rätt sätt.** Utrustningen minskar de risker som finns med damm.
  4. **Bruk och skötsel av elverktyg**
    - a. **Överbelasta inte elverktyget. Använd rätt elverktyg för det aktuella arbetet.** Med rätt elverktyg kan du arbeta bättre och säkrare med det som verktyget är avsett för.
    - b. **Använd inte elverktyget om det inte går att starta och stänga av det med strömbrytaren.** Ett elverktyg som inte kan startas och stängas av med strömbrytaren är farligt och måste repareras.
    - c. **Dra ut stickproppen ur vägguttaget och/eller ta ut batteriet ur elverktyget innan inställningar utförs, tillbehör byts eller elverktyget ställs undan.** Denna säkerhetsåtgärd förhindrar oavsiktlig start av elverktyget.

- d. Förvara elverktyg utom räckhåll för barn. Låt inte elverktyget användas av personer som inte är vana vid det, eller som inte läst denna bruksanvisning. Elverktyg är farliga om de används av ovana personer.
- e. Sköt elverktyget omsorgsfullt. Kontrollera att rörliga komponenter fungerar felritt och inte kärvar, att komponenter inte gått sönder eller skadats och inget annat föreligger som kan påverka elverktygets funktion. Om elverktyget är skadat ska du se till att få det reparerat innan det används. Många olyckor orsakas av dåligt skötta elverktyg.
- f. Håll skärverktyg vassa och rena. Omsorgsfullt skötta skärverktyg med skarp egg fastnar inte så lätt och är lättare att hantera.
- g. Använd elverktyget, tillbehör, bits m.m. enligt dessa anvisningar och ta hänsyn till arbetsvillkoren och arbetsmomenten. Om elverktyget används på icke ändamålsenligt sätt kan farliga situationer uppstå.
5. Service
- a. Låt endast utbildade reparatörer reparera elverktyget med originalreservdelar. Detta garanterar att elverktyget förblir säkert.

#### Ytterligare säkerhetsinstruktioner för Alligator™ Lopper

**Varning!** Använd aldrig sågen över axelhöjd. Stå alltid själv så att du inte träffas av fallande grenar och skräp.

**Varning!** Använd inte den här sågen för att fälla träd.

- ◆ Håll alltid hela kroppen och alla kläder ur vägen för sågkedjan. Håll sågen framför dig och ge noga akt på sågkedjans läge särskilt när du kapar grenar nära marken. Se till att sågkedjan inte ligger an mot något när du startar.
- ◆ Förbered säker väg bort från fallande grenar och skräp. Se till att vägen är fri från hinder som kan begränsa dina rörelser. Tänk på att vått gräs och nyskalad bark är halt.
- ◆ Var medveten om i vilken riktning grenar kan falla. Överväg alla förhållanden som kan påverka fallriktningen, bland annat:
  - Den tänkta fallriktningen.
  - Grenens naturliga lutning.
  - Alla ovanligt kraftiga eller murkna grenar.
  - Kringsstående träd och hinder, bland annat luftledning.
  - Vindhastighet och -riktning.
- ◆ Säkerhetsavståndet mellan grenar och skräp som faller ned och personer som står nära, byggnader och andra föremål är minst 2 1/2 gånger längden på grenen. Alla personer, byggnader och föremål inom detta avstånd löper risk att träffas av den fallande grenen.

- ◆ Var uppmärksam på att en spänd gren som sågas av kan svänga tillbaka. När spänningen i träfibren upphör kan den spända grenen träffa den som säger och/eller slå sågen ur händerna.
- ◆ Bär alltid lämplig skyddsutrustning, till exempel halksäkra säkerhetsskor, skyddshjälm, skyddsglasögon, hörselskydd och handskar, när du använder sågen.
- ◆ Se till att det finns någon i närheten (på säkert avstånd) ifall det händer en olycka.
- ◆ Använd inte sågen uppe i ett träd, när du står på en stege eller på något annat ostadigt underlag.
- ◆ Se till att du alltid har säkert fotfäste och balans.
- ◆ Håll sågen stadigt med båda händerna när motorn är i gång.
- ◆ Håll handtagen torra, rena och fria från olja och fett. Oljiga handtag är hala och gör sågen okontrollerbar.
- ◆ Låt inte den löpande kedjan komma emot något föremål vid spetsen av kedjesvärdet.
- ◆ Håll kedjan korrekt spänd. Kontrollera spänningen regelbundet med motorn avstängd och sladden utdragen.
- ◆ Börja och fortsätt såga bara när kedjan går med full fart.
- ◆ Se upp för korsande grenar eller annat som kan stoppa sågningen och nypa fast eller falla ned på kedjan.
- ◆ Var ytterst försiktig när du fortsätter en tidigare påbörjad sågning. Använd taggarna på sågens underkäke vid sågning i trä och låt kedjan få full fart innan du fortsätter att såga.
- ◆ Användning av sågen för andra än avsedda ändamål kan leda till riskfyllda situationer. Såga endast i trä. Använd inte sågen för sådant som den inte är avsedd för, till exempel sågning i plast, murverk eller byggnadsmaterial som inte är av trä.
- ◆ Stanna sågen om något skräp fastnar på skyddet eller själva sågen; bryt strömmen och ta bort skräpet.
- ◆ Nötta kedjor och svärd bör bytas ut.
- ◆ Använd bara sådana utbytessvärd och -kedjor som tillverkaren anger.

#### Säkerhet för andra

- ◆ Verktöget ska inte användas av personer (inklusive barn) med nedsatt fysisk eller mental förmåga eller bristande erfarenhet och kunskap om de inte får vägledning och övervakas av en person som ansvarar för deras säkerhet.
- ◆ Barn ska hållas under uppsikt så att de inte leker med apparaten.

## Vibrationer

De uppgivna vibrationsvärdena som anges i avsnitten Tekniska data och EU-förklaring om överensstämmelse har uppmätts i enlighet med en standardtestmetod föreskriven i EN 60745 och kan användas för jämförelse med andra verktyg. Det uppgivna vibrationsvärdet kan även användas för en preliminär bedömning av exponering.

**Varning!** Vibrationsvärdet under faktisk användning av elverktyget kan skilja sig från det uppgivna värdet beroende på hur verktyget används. Vibrationsnivån kan överstiga den angivna nivån.

Vid uppskattning av vibrationsexponering i syfte att bedöma vilka säkerhetsåtgärder som är nödvändiga enligt 2002/44/EG för att skydda personer som regelbundet använder elverktyg i arbetet ska man utgå från de faktiska omständigheter under vilka elverktyget används och sättet på vilket det används. Bedömningen ska även ta hänsyn till alla moment i arbetscykeln, t.ex. när verktyget är avstängt och när det går på tomgång såväl som när det faktiskt används.

## Etiketter på apparaten

Följande symboler finns på sågen:



**Varning!** Läs bruksanvisningen före användning för att minska risken för olyckor.



Använd inte sågen i väta och utsätt den inte för regn.



Använd alltid skydd för huvud, hörsel och ögon.



Se upp för fallande föremål.



Håll åskådare borta.



Använd inte sågen när du står på en stege.



Kontrollera kedjespänningen var 10:e minut vid användning. Justera den till ett spelrum på 3 mm.



Smörj kedjan var 10:e minut vid användning.



**Varning!** Rör inte kedjan vid spånutkastet.



Rörelseriktning för kedjan.



Dra omedelbart ur sladden om den skadas eller sågas av.

## Elektrisk säkerhet



Eftersom verktyget är dubbelsoliterat behövs ingen jordledare. Kontrollera alltid att nätspänningen överensstämmer med värdet på typskylten.

- Om nätsladden är skadad måste den för undvikande av fara bytas ut av tillverkaren eller en auktoriserad Black & Decker-verkstad.

## Använda en förlängningssladd

- Använd alltid en godkänd förlängningssladd som klarar verktygets ineffekt (se Tekniska data). Förlängningssladden måste vara lämplig för utomhusbruk och märkt därefter. Det går att använda en 1.5 mm<sup>2</sup> HO5VV-F-förlängningssladd som är upp till 30 m lång utan spänningsförlust. Innan du använder sladden kontrollerar du att den inte är skadad, sliten eller nött. Byt ut förlängningssladden om den är skadad eller defekt. När du använder en sladdvinda ska du alltid dra ut hela sladden.

## Övriga risker

Trots att relevanta säkerhetsföreskrifter tillämpas och säkerhetsåtgärder vidtas är vissa risker fortfarande förknippade med sågning i trä och kan inte undvikas. De är:

- Risk för skador genom kontakt med rörliga, vassa eller heta delar, grenar eller skräp som faller ned på användaren, kringstående personer eller egendom, skräp som kastas ut från sågen.
- Risk för skador finns vid oavsiktlig användning, fall från stege eller träd, skada på elkabeln, användning av sågen i väta eller på riskfyllda platser, barns eller klena personers användning av sågen, underlåtenhet att bära lämpliga personliga skydd eller lämplig klädsel, inandning av damm från sågat trä.

Uppmärksamheten har riktats mot ovanstående risker genom varningar i säkerhetsinstruktioner och/eller genom märkning på redskapet.

Det vibrationsvärde som anges i bruksanvisningen är i överensstämmelse med standardtestet EN60745. Användaren bör inte utsätta sig för kraftig vibration under längre tid. Vibrationen som det här redskapet ger ligger under 5 m/s och inom den gräns som har satts i 2002/44/EG för kontinuerligt arbete under en åtta timmars dag. De faktiska arbetsförhållandena kan variera eller möjligen öka vibrationen över de nivåer som noterats vid standardtestet.

## Funktioner

1. Överkäke
2. Underkäke
3. Kedjesvärd
4. Oljelock
5. Strömbrytare
6. Spånutkastningspunkt

## Justering av kedjespänning (fig. A och B)

**Varning!** Se till att sågen är avstängd och elkabeln utdragen innan kedjan eller något annat justeras.

**Varning!** Svärdet och själva kedjan kan vara varma efter användning. Låt dem svalna innan de justeras. Produkten levereras sammansatt och klar. Men vi rekommenderar att du före användning kontrollerar kedjans (12) spänning och om den eller retensionsmuttrarna behöver justeras.

## Kontroll och justering av kedjespänning (fig. A)

- ◆ Lossa de två retensionsmuttrarna (7) med nyckeln (9) när kedjan (12) ska spännas, så skjuter kedjesträckaren ut kedjesvärdet (3) och rätt spänning ställs in. Skruva sedan åt de båda retensionsmuttrarna (7) ordentligt.
- ◆ Kontrollera att den rätta spänningen har ställts in genom att dra lätt i kedjan (12). Kedjan har rätt spänning när den fjädrar tillbaka efter att ha dragits ut 3 mm från svärdet (3). På undersidan ska det inte vara något "häng" mellan svärdet och kedjan.

**Obs!** Spänn inte kedjan för hårt eftersom det ger ökad förlitning och minskar svärdets och kedjesvärdets livslängd. Det minskar också sågens prestanda.

**Obs!** Kontrollera kedjespänningen ofta när sågen används första gången och när kedjan är ny, eftersom en ny kedja lätt sträcks.

**Obs!** Om kedjan inte kan sträckas ordentligt kan den behöva bytas ut. Kontakta närmaste verkstad.

## Byte av kedja och kedjesvärd

Efter långvarig användning kan kedjan (12) och/eller kedjesvärdet (3) behöva bytas ut. Se till att av Black & Decker rekommenderade reservdelar används.

## Ta bort sågkedjan och kedjesvärdet (fig. A och B)

**Varning!** Använd alltid skyddshandskar när sågkedjan monteras eller tas bort. Kedjan är vass och kan skära dig även när den inte är i rörelse.

**Varning!** Svärdet och själva kedjan kan vara varma efter användning. Låt dem svalna innan de byts ut.

- ◆ Lägg sågen på ett stabilt underlag.
- ◆ Vrid de två retensionsmuttrarna (7) motsols med den bifogade nyckeln (9) och ta bort dem helt.
- ◆ Ta bort kedjehöjlet (8).
- ◆ Öppna handtagen och dra tillbaka överkäken (1).

- ◆ Dra tillbaka kedjesvärdet (3) och lyft sedan ut kedjan (12) ur spåret på kedjesvärdet (3).
- ◆ Ta bort kedjan (12) från enheten.
- ◆ Vinkla kedjesvärdet (3) upp och över bultarna.

## Montering av kedjesvärd och kedja (fig. C och D)

**Varning!** Använd alltid skyddshandskar när sågkedjan monteras eller tas bort. Kedjan är vass och kan skära dig även när den inte är i rörelse.

Se till att arbeta på ett stabilt underlag.

- ◆ Öppna handtagen och dra tillbaka överkäken (1).
- ◆ Sätt in kedjesvärdet (3) i utrymmet mellan kedjesträckaren och den första bulten och vik ned svärdet (3) över bultarna.
- ◆ Lägg kedjan (12) runt kedjesvärdets (3) framsida och för in kedjesvärdets (3) noskuggar.
- ◆ Dra tillbaka kedjesvärdet (3) och kedjan (12) och för in den i spåret på kedjesvärdet och sedan över kedjekransen (11) och passa in kuggarna rätt på kransen.
- ◆ Sätt tillbaka kedjehöjlet (8) och retensionsmuttrarna (7) och dra åt dem ordentligt.

## Användning

**Varning!** Låt verktyget arbeta i sin egen takt. Överbelasta den inte.

- ◆ Rengör sågen regelbundet enligt anvisningarna i avsnittet om underhåll och rengör särskilt insidan av kedjehöjlet.
- ◆ Underkäken (2) och överkäken (1) stängs när något av handtagen släpps eller när en gren har sågats av. Sluta använda sågen om de inte stängs och dra ut elkabeln. Kontrollera om det är något skräp som hindrar stängningen. För att göra detta kan det bli nödvändigt att ta bort kedjehöjlet (8). Lämna sågen till en auktoriserad verkstad om problemet kvarstår efter hopsättningen.

## Smörjning (fig. E)

Kedjan måste smörjas med rätt kedjesmörjolja (Kat No A6027) före första användning och var 10:e minut under användning.

- ◆ Öppna oljelocket (4) och stoppa in oljeflaskan i oljepåfyllningshålet (10). Tryck på flaskan en gång för att portionera ut olja.

Den bör räcka för omkring 10 minuters sågning beroende på såghastighet och typ av trä.

Genom hålet fördelas oljan över kedjan och kedjesvärdet (3). Alltför mycket olja kan göra att det droppar olja från enheten runt kåkarna. Detta är normalt och ingenting att oroa sig för.

**Slå på och av**

**Varning!** Försök aldrig låsa eller fixera strömbrytaren i läge på.

Sågen är för din säkerhet utrustad med dubbelt strömbrytarsystem. Det förhindrar att sågen kan startas av misstag.

**Slå på (fig. F)**

- Se till att du har ett stadigt grepp om handtagen och krama sedan båda strömbrytarna (5) för att starta verktyget.

**Slå av (fig. F)**

Släpp någon av strömbrytarna (5).

**Obs!** Båda strömbrytarna måste vara aktiverade för att sågen ska kunna användas.

Tvinga inte sågen utan låt den göra jobbet. Arbetet görs bättre och säkrare i den hastighet som sågen är konstruerad för. Vid för hårt tryck sträcks kedjan.

Om kedjan eller kedjesvärdet (3) skulle fastna:

- Stanna sågen.
- Koppla bort den från elnätet.
- Öppna skåran med kilar för att lätta på trycket på kedjesvärdet (3). Försök inte vrida loss sågen. Såga upp ett nytt spår.

**Kvistning (fig. G)**

Kontrollera att det inte finns några lokala förordningar eller bestämmelser som förbjuder eller styr kvistning av träd.

Se till att sågen har full fart innan du börjar såga.

- Håll sågen stadigt på plats för att undvika att den gör kast eller flyttar sig åt sidan.
- Styr sågen med bara ett lätt tryck.

Börja alltid såga uppifrån. Då undviker du att sågkedjan kläms.

- Såga av grenar så som visas i fig. G. Börja från grenens topp och kapa den i lagom långa bitar.
- Lift sågen från den avsågade grenen medan den går med högsta fart.

**Underhåll**

Den här Black & Decker-apparaten (med eller utan sladd) är konstruerad för att fungera under lång tid med minsta möjliga underhåll. Med rätt underhåll och regelbunden rengöring behåller verktyget sina prestanda.

**Varning!** Innan något underhåll utförs på elektriska redskap med eller utan sladd:

- Stäng av redskapet/verktyget och dra ur nätkontakten.
- Du kan också ta ut batteriet ur redskapet om redskapet har ett separat batteri.

- Om batteriet är inbyggd låter du det laddas ur helt innan avstängningen.
- Dra ur sladden till laddaren innan du rengör den. Laddaren behöver inget annat underhåll än regelbunden rengöring.

Rengör regelbundet redskapets/verktygets/laddarens luftintag med en mjuk borste eller torr trasa.

Rengör kåpan regelbundet med en fuktig trasa. Använd aldrig rengöringsmedel med lösnings- eller slipmedel.

Öppna chocken (där sådan finns) med jämna mellanrum och knacka på den för att avlägsna damm som sitter på insidan.

**Rengöring**

- Ta regelbundet bort höljet över kedjan och avlägsna allt skräp som har fastnat.
- Rengör regelbundet ventilationsöppningarna med en ren och torr målarborste.
- Använd bara mild tvål och en fuktig trasa för att rengöra sågen. Låt aldrig någon vätska komma in i sågen och doppa den aldrig i någon vätska.

**Smörjning**

- Smörj regelbundet smörjpunkterna (10) som visas i figur B.

**Transport**

- Transportera alltid sågen med kåkarna stängda.

**Förvaring**

- Torka av alla metalldelar med olja när sågen inte ska användas under längre tid (månader).
- Förvara sågen på ett säkert och torrt ställe. Temperaturen i förvaringsutrymmet måste alltid ligga mellan + 5 °C och + 40 °C. Placera sågen på en plats som inte kan tippa.

**Miljö**

Separat insamling. Produkten får inte kastas i hushållssoporna.

Tänk på miljön när du slänger denna Black & Decker-produkt. Släng den inte tillsammans med hushållsavfallet. Lämnna produkten för separat insamling.



Insamling av uttjänta produkter och förpackningsmaterial gör att material kan återanvändas. Användning av återvunnet material minskar föroreningar av miljön och behovet av råmaterial.

Lokala föreskrifter kan kräva separat insamling av elprodukter från hushållen, vid kommunala insamlingsplatser eller hos återförsäljaren när du köper en ny produkt.

**EC-deklaration om överensstämmelse**MASKINDIREKTIV  
BULLERFÖRESKRIFTER, UTMOMHUS**GK1000 GK1050**

Black &amp; Decker garanterar att produkterna som beskrivs under "Tekniska data" uppfyller:

2006/42/EG och EN 60745-1

2000/14/EG, Kedjesåg, Bilaga V

Akustisk effektnivå enligt 2000/14/EG

$L_{WA}$ (uppmätt ljudnivå)	dB	98
$L_{WA}$ (garanterad ljudnivå)	dB	101

De här produkterna överensstämmer även med direktivet 2004/108/EG och 2011/65/EG

Mer information får du genom att kontakta Black &amp; Decker på följande address eller titta i slutet av bruksanvisningen.

Undertecknad är ansvarig för sammanställningen av tekniska data och gör denna försäkran för Black &amp; Deckers räkning.

Kevin Hewitt  
Vice-President Global Engineering  
Black & Decker Europe, 210 Bath Road, Slough,  
Berkshire, SL1 3YD  
Storbritannien  
17/05/2012

Black &amp; Decker samlar in och återvinner uttjänta Black &amp; Decker-produkter. Om du vill utnyttja denna tjänst återlämnar du produkten till en auktoriserad verkstad, som samlar in den för vår räkning.

För information om närmaste auktoriserade verkstad, kontakta det lokala Black & Decker-kontoret på den adress som är angiven i bruksanvisningen. En lista över alla auktoriserade verkstäder samt servicevillkor finns på Internet: [www.2helpU.com](http://www.2helpU.com).

## Tekniska data

		<b>GK1000 TYP 2</b>	<b>GK1050 TYP 2</b>
Spänning	$V_{AC}$	230	230
Ineffekt	W	550	600
Kedje hastighet (utan belastning)	m/s	2.3	2.3
Maxdiameter för sågning	mm	100	100
Vikt	kg	3	3

Garanterad ljudnivå, uppmätt enligt EN 60745:

$L_{pA}$  (ljudnivå) 87 dB(A), osäkerhet (K) 3 dB(A)  
 $L_{WA}$  (akustisk effekt) 98 dB(A), osäkerhet (K) 3 dB(A)  
 $L_{WA}$  (garanterad) 105 dB(A)  
 vibrationspåverkan på hand/arm 4.95 m/s<sup>2</sup>  
 osäkerhet (K) 1.5 dB(A)

## Garanti

Black & Decker garanterar att produkten är fri från material- och/eller fabriktionsfel vid leverans till kund. Garantin gäller utöver konsumentens rättigheter enligt lag och påverkar inte dessa. Garantin gäller inom medlemsstaterna i Europeiska Unionen och i det Europeiska Frihandelsområdet.

Om en Black & Decker-produkt går sönder på grund av material- och/eller fabriktionsfel eller brister i överensstämmelse med specifikationen, inom 24 månader från köpet, åtar sig Black & Decker att reparera eller byta ut produkten med minsta besvär för kunden, förutom om:

- ◆ Produkten har använts kommersiellt, yrkesmässigt eller för uthyrning.
- ◆ Produkten har utsatts för felaktig användning eller skötsel.
- ◆ Produkten har skadats av främmande föremål, ämne eller genom olycka.
- ◆ Reparation har utförts av någon annan än en auktoriserad Black & Decker-verkstad.

Vid garantianspråk ska produkten och inköpskvittot lämnas till återförsäljaren eller till en auktoriserad verkstad.

För information om närmaste auktoriserade verkstad, kontakta det lokala Black & Decker-kontoret på den adress som är angiven i bruksanvisningen. En lista över alla auktoriserade verkstäder samt servicevillkor finns på Internet: [www.2helpU.com](http://www.2helpU.com).

Besök vår webbplats [www.blackanddecker.se](http://www.blackanddecker.se) för att registrera din nya Black & Decker-produkt samt för att erhålla information om nya produkter och specialerbjudanden. Vidare information om märket Black & Decker och vårt produktsortiment återfinns på [www.blackanddecker.se](http://www.blackanddecker.se).

## Bruksområde

Black & Decker Alligator™-kutteren er utformet for å beskjære grenene på trær, dele opp felte grener og dele opp små trestammer på 25 til 100 mm i diameter mens operatøren står på bakken. Verktøyet er beregnet bare som konsumentverktøy.

## Sikkerhetsinstruksjoner

### Generelle sikkerhetsadvarsler for elektroverktøy



**Advarsel! Les alle sikkerhetsadvarsler og alle instruksjoner.** Hvis ikke alle instruksjonene blir fulgt, kan det føre til elektrisk støt, brann og/eller alvorlig personskade.

### Ta vare på alle advarsler og instruksjoner for fremtidig bruk.

- a. Begrepet "elektroverktøy" i advarslene nedenfor gjelder nettdrevet elektroverktøy (med ledning) eller batteridrevet elektroverktøy (uten ledning).

#### 1. Sikkerhet i arbeidsområdet

- a. **Hold arbeidsområdet rent og godt opplyst.** Rotete og mørke arbeidsområder fører lett til ulykker.
- b. **Ikke arbeid med elektroverktøy i eksplosjonsfarlige omgivelser, for eksempel der det befinner seg brennbare væsker, gass eller støv.** Elektroverktøy forårsaker gnister som kan antenne støv eller gass/damp.
- c. **Hold barn og andre personer unna når du bruker et elektroverktøy.** Hvis du blir forstyrret under arbeidet, kan du miste kontrollen.

#### 2. Elektrisk sikkerhet

- a. **Støpselet til elektroverktøy må passe i stikkkontakten. Støpselet må ikke forandres på noen som helst måte. Ikke bruk adapterstøpsler sammen med jordede elektroverktøy.** Bruk av originale støpsler og passende stikkontakter reduserer risikoen for elektrisk støt.
- b. **Unngå kroppskontakt med jordede overflater som rør, radiatorer, komfyrer og kjøleskap.** Det er større fare for elektrisk støt dersom kroppen din er jordat.
- c. **Hold elektroverktøy unna regn eller fuktighet.** Dersom det kommer vann i et elektroverktøy, øker faren for elektrisk støt.
- d. **Unngå uforvarlig behandling av ledningen. Bruk aldri ledningen til å bære eller trekke elektroverktøyet eller til å trekke ut støpselet. Hold ledningen unna varme, olje, skarpe kanter eller bevegelige deler.** Skadde eller sammenflokede ledninger øker risikoen for elektrisk støt.

- e. **Når du bruker et elektroverktøy utendørs, må du bruke en skjøteledning som er egnet for utendørs bruk.** Når du bruker en skjøteledning som er egnet for utendørs bruk, reduseres risikoen for elektrisk støt.
- f. **Hvis du ikke kan unngå å bruke et elektroverktøy på et fuktig sted, må du bruke en strømforsyning som er beskyttet med jordfeilbryter.** Bruk av jordfeilbryter reduserer risikoen for elektrisk støt.

#### 3. Personssikkerhet

- a. **Vær oppmerksom, pass på hva du gjør, og vis fornuft når du arbeider med et elektroverktøy. Ikke bruk elektroverktøy når du er trett eller er påvirket av narkotika, alkohol eller medikamenter.** Et øyeblikks uoppmerksomhet under bruk av verktøyet kan føre til alvorlige personskader.
- b. **Bruk personlig verneutstyr. Bruk alltid vernebriller.** Bruk av personlig verneutstyr, for eksempel støvmaske, sklislire vernesko, hjelm eller hørselsvern som passer til forholdene, reduserer risikoen for personskader.
- c. **Forhindre utilsiktet start. Kontroller at bryteren står i posisjon "av" før du kobler til strømkilden og/eller batteripakken, og før du tar opp eller bærer verktøyet.** Det kan føre til ulykker hvis du bærer elektroverktøyet med fingeren på bryteren, eller tilfører strøm til verktøyet når bryteren står på.
- d. **Fjern eventuelle innstillingsverktøy eller skruverktøy før du slår på elektroverktøyet.** Et skruverktøy eller en nøkkel som fortsatt er festet til en roterende del av elektroverktøyet, kan føre til personskade.
- e. **Ikke strekk deg for langt. Pass på at du alltid har sikkert fotfeste og god balanse.** Da kan du kontrollere elektroverktøyet bedre i uventede situasjoner.
- f. **Bruk egnede klær. Ikke bruk løstsittende klær eller smykker. Hold hår, klær og hansker unna bevegelige deler.** Løstsittende tøy, smykker eller langt hår kan bli sittende fast i bevegelige deler.
- g. **Hvis det kan monteres støvavsug- og oppsamlingsinnretninger, må du forvise deg om at disse er tilkoblet og brukes på riktig måte.** Bruk av disse innretningene kan redusere faren i forbindelse med støv.
- #### 4. Bruk og behandling av elektroverktøy
- a. **Ikke bruk makt på elektroverktøyet. Bruk riktig elektroverktøy for bruksområdet.** Med et passende elektroverktøy arbeider du bedre og sikrere med den farten det er beregnet for.
- b. **Ikke bruk elektroverktøyet hvis du ikke kan slå det på og av med bryteren.** Et elektroverktøy som ikke kan kontrolleres med bryteren, er farlig og må repareres.

- c. **Trekk støpselet ut av stikkkontakten og/eller koble fra batteripakken på elektroverktøyet før du utfører innstillinger, bytter tilbehør eller legger elektroverktøyet bort.** Disse forebyggende sikkerhetstiltakene reduserer risikoen for utilsikket start av elektroverktøyet.
- d. **Elektroverktøy som ikke er i bruk, må oppbevares utilgjengelig for barn. Ikke la verktøyet bli brukt av personer som ikke er fortrolig med det, eller som ikke har lest denne bruksanvisningen.** Elektroverktøy er farlige når de brukes av uerfarne personer.
- e. **Sørg for vedlikehold av elektroverktøy. Undersøk om bevegelige deler er feiljustert eller hemmes, om deler er skadet, og om det er andre forhold som kan påvirke elektroverktøets funksjon. Hvis elektroverktøyet er skadet, må det repareres før bruk.** Dårlig vedlikeholdt elektroverktøy er årsaken til mange ulykker.
- f. **Hold skjæreverktøy skarpe og rene.** Godt vedlikeholdte skjæreverktøy med skarpe egger setter seg ikke så ofte fast og er lettere å føre.
- g. **Bruk elektroverktøy, tilbehør, verktoybits osv. i henhold til disse instruksjonene. Ta hensyn til arbeidsforholdene og arbeidet som skal utføres.** Bruk av elektroverktøy til andre formål enn det som er angitt, kan føre til farlige situasjoner.
5. **Service**
- a. **Elektroverktøy skal repareres av kvalifisert personell og bare med originale reservedeler.** Dette sikrer at elektroverktøyet sikkerhet opprettholdes.

## Ytterligere sikkerhetsinstruksjoner for Alligator™-kutteren

**Advarsel!!** Verktøyet må aldri brukes over skulderhøyde. Plasser deg alltid slik at du ikke står der grener eller avfall faller ned.

**Advarsel!!** Ikke bruk dette verktøyet til felling av trær.

- ◆ Hold alltid alle kroppsdelene og klær unna sagkjeden. Hold verktøyet foran deg, og vær oppmerksom på plasseringen av sagkjeden, spesielt når du kutter grener nær bakken. Før du slår på verktøyet, må du passe på at sagkjeden ikke er i kontakt med noe.
- ◆ Planlegg en trygg måte å komme deg unna fallende grener og avfall på. Kontroller at det ikke er hindringer i veien som kan føre til at du ikke kommer deg unna. Husk at vått gress og nylig kuttet bark er glatt.
- ◆ Vær oppmerksom på hvilke retninger en gren kan falle i. Vurder alle forhold som kan ha innvirkning på fallretningen, inkludert:
  - Den planlagte fallretningen.
  - Den naturlige hellingen til grenen.
  - Eventuelle uvanlige og tunge grenstrukturer eller råtne deler.
  - Trær i nærheten og andre hindringer, inkludert kabler eller ledninger i luften.
  - Vindstyrke og -retning.
- ◆ Trygg avstand mellom grener/avfall som skal felles og personer, bygninger og andre gjenstander er minst 2 1/2 gang grenens lengde. Eventuelle personer, bygninger eller gjenstander innenfor denne avstanden risikerer å bli truffet av den fallende grenen.
- ◆ Når du kutter en gren som står i spenn, må du være oppmerksom på at den kan slå mot deg. Når spennet i trefibrene frigjøres, kan grenen treffe operatøren og/eller slå verktøyet ut av kontroll.
- ◆ Bruk alltid egnet sikkerhetsutstyr, for eksempel sklisikre vernebeskyttelse, hjelm, vernebriller, hørselsvern og hansker når du bruker verktøyet.
- ◆ Sørg for at noen er i nærheten (men på trygg avstand) i tilfelle uhell.
- ◆ Ikke bruk verktøyet når du er oppe i et tre, står på en stige eller står på andre ustabile innretninger.
- ◆ Pass på at du alltid har sikkert fotfeste og god balanse.
- ◆ Hold verktøyet fast med begge hender når motoren er i gang.
- ◆ Hold håndtakene tørre og rene, og pass på at det ikke kommer olje og fett på dem. Oljete håndtak er glatte, og du kan miste kontroll over verktøyet.
- ◆ En kjede i bevegelse må ikke komme i kontakt med noen gjenstander ytterst på sverdet.
- ◆ Hold sagkjeden riktig strammet. Kontroller stramningen jevnlig når motoren er stoppet og ledningen frakoblet.
- ◆ Begynn og fortsett med kuttingen først når kjeden beveger seg med full hastighet.
- ◆ Se etter bevegelige grener eller andre krefter som kan avbryte en kutting, klemme kjeden eller falle ned på den.
- ◆ Vær svært forsiktig når du fortsetter i et tidligere kutt. Sett piggene på den nedre kloen inn i treverket, og la kjeden nå full hastighet før du fortsetter kuttingen.
- ◆ Bruk av dette verktøyet til andre formål enn det som er angitt, kan føre til farlige situasjoner. Kutt bare i tre. Ikke bruk dette verktøyet til formål det ikke er beregnet for. Eksempel: Ikke bruk verktøyet til å kutte plast, mur eller byggematerialer som ikke er av tre.
- ◆ Hvis avfall setter seg fast i beskyttelsesanordningen, eller verktøyet stopper opp, må du ta ut strømledningen og fjerne avfallet.

- ◆ Slitte kjeder og sverd må byttes ut.
- ◆ Bruk bare erstatningsverd og -kjeder som produsenten har angitt.

### Andre personers sikkerhet

- ◆ Det er ikke meningen at dette verktøyet skal brukes av personer (inkludert barn) med reduserte fysiske, sansemessige eller mentale evner, eller som mangler erfaring og kunnskap, med mindre de har fått oppfølging eller instruksjon når det gjelder bruken av verktøyet, fra en person som er ansvarlig for deres sikkerhet.
- ◆ Barn skal være under tilsyn så du er sikker på at de ikke leker med verktøyet.

### Vibrasjon

Vibrasjonsemissionsverdien som er angitt under tekniske data og samsvarserklæring, er blitt målt i henhold til en standard testmetode som er angitt i EN 60745, og kan brukes til å sammenligne et verktøy med et annet. Den oppgitte vibrasjonsemissionsverdien kan også brukes til en foreløpig vurdering av eksponering.

**Advarsel!** Vibrasjonsemissionsverdien under faktisk bruk av elektroverktøyet kan avvike fra den oppgitte verdien avhengig av måten verktøyet blir brukt på. Vibrasjonsnivået kan øke over nivået som er oppgitt.

Når man vurderer vibrasjonseksponering for å bestemme sikkerhetstiltak som kreves i 2002/44/EF, for å beskytte personer som bruker elektroverktøy regelmessig i arbeidet, skal man når man anslår vibrasjonseksponeringen, ta hensyn til de faktiske bruksforholdene og måten verktøyet blir brukt på, inkludert hensyn til alle deler av brukssyklusen – også de gangene verktøyet slås av, og når det går på tomgang, i tillegg til tiden utløseren er inne.

### Merking på verktøyet

Du finner følgende symboler på verktøyet:



**Advarsel!** Brukeren må lese håndboken for å redusere risikoen for personskade.



Ikke bruk sagen i våte omgivelser og ikke utsett den for regn.



Bruk alltid hodebeskyttelse, hørselsvern og beskyttelsesbriller.



Vær oppmerksom på fallende gjenstander. Hold andre personer unna.



Ikke bruk verktøyet på stiger.



Kontroller kjedestrammingen hvert tiende minutt. Juster kjeden til til en klaring på 3 mm.



Smør kjeden hvert tiende minutt under bruk.



**Advarsel!** Ikke berør kjeden i sponutslippsområdet.



Kjedens bevegelsesretning.



Koble umiddelbart kabelen fra nettstrømmen hvis den blir skadet eller kuttet av.

### Elektrisk sikkerhet



Dette verktøyet er dobbeltisolert. Jording er derfor ikke nødvendig. Kontroller alltid at strømforsyningen er i overensstemmelse med spenningen på typeskiltet.

- ◆ Hvis strømledningen blir skadet, må den skiftes av produsenten eller et autorisert Black & Decker-servicesenter for å unngå fare.

### Bruke skjøteledning

- ◆ Bruk alltid en godkjent skjøteledning, som passer til inngangseffekten for dette verktøyet (se tekniske data). Skjøteledningen må passe for utendørs bruk og skal være merket i samsvar med dette. Opptil 30 m 1,5 mm<sup>2</sup> HO5VV-F-skjøteledning kan brukes uten tap av ytelse for produktet. Før bruk må du undersøke skjøteledningen for tegn på skade, slitasje og aldring. Bytt skjøteledningen hvis den er skadet eller defekt. Når du bruker kabelsnelle, må du alltid rulle ut kabelen helt.

### Andre former for risiko

Til tross for bruk av relevante sikkerhetsbestemmelser og gjennomføring av sikkerhetstiltak finnes det visse andre former for risiko forbundet med bruk av sager for kutting av tre. Disse kan ikke unngås. De er:

- ◆ Risiko for skader i forbindelse med kontakt med bevegelige deler, skarpe deler, varme deler, grener eller avfall som faller ned på operatøren, andre personer eller eiendom, avfall som kommer ut av verktøyet.
- ◆ Risiko for skader i forbindelse med ikke beregnet bruk, fall fra stige eller arbeidsposisjon i et tre, skade på strømledningen, bruk av verktøyet på våte eller farlige steder, bruk av produktet av små barn eller personer med nedsatt helse, manglende bruk av egnet verneutstyr eller verneklær eller innånding av støv fra kutting av tre.

Risikotypene ovenfor er angitt ved advarsler i sikkerhetsinstruksjonene og/eller merker på verktøyet.

Vibrasjonsverdien i denne håndboken er i henhold til den standardiserte testen EN 60745. Operatøren må ikke utsettes for høye vibrasjonsnivåer over lang tid. Vibrasjonsutslippene for dette verktøyet er under 5 m/s og er innenfor grensene som er angitt i 2002/44/EF for kontinuerlig bruk i løpet av en 8-timersdag. Faktiske bruksforhold kan variere eller muligvis øke vibrasjonsnivået i forhold til det som er registrert i den standardiserte testen.

## Funksjoner

1. Øvre klo
2. Nedre klo
3. Sverd
4. Oljedeksel
5. Utløser for av-/på-bryter
6. Sponutslippsområde

## Justering av kjedestramning (figur A og B)

**Advarsel!** Før du justerer kjeden eller andre deler, må du passe på at verktøyet er slått av, og at kontakten er trukket ut.

**Advarsel!** Sverdet og sagkjeden kan være varme etter bruk. La delene avkjøles før justering.

Produktet leveres ferdig montert. Vi anbefaler imidlertid at du kontrollerer stramningen til kjeden (12) og kjedefestemutrene før bruk og justerer om nødvendig.

## Kontrollere og justere kjedestramningen (figur A)

- ◆ Når du skal stramme kjeden (12), løsner du de to festemutrene for kjededekselet (7) med skrunøkkel (9), og kjedestramningsenheten dytter sverdet (3) ut, slik at riktig stramning blir innstilt. Stram de to festemutrene (7) godt.
- ◆ Kontroller at riktig stramning er stilt inn ved å dra lett i kjeden (12). Stramningen er riktig når kjeden spretter tilbake når den trekkes 3 mm ut fra sverdet (3). Det skal ikke være noe "slakk" mellom sverdet og kjeden på undersiden.

**Merk:** Ikke stram kjeden for mye, da dette vil føre til stor slitasje, noe som reduserer levetiden for sverdet og kjeden. Det vil også redusere produktytelsen.

**Merk:** Ved første gangs bruk og når kjeden er ny, må du kontrollere stramningen ofte, da en ny kjede strekker seg litt.

**Merk:** Hvis kjeden ikke kan strammes riktig, kan det hende den må byttes ut. Kontakt nærmeste servicesenter.

## Bytte kjede og sverd

Etter langvarig bruk kan det hende du må bytte ut kjeden (12) og/eller sverdet (3). Sørg for at du bare bruker erstatningsdeler som anbefales av Black & Decker.

## Demontere kjeden og sverdet (figur A og B)

**Advarsel!** Bruk alltid vernehansker når du setter inn eller tar ut sagkjeden. Sagkjeden er skarp og kan kutte deg selv om den ikke er i bevegelse.

**Advarsel!** Sverdet og sagkjeden kan være varme etter bruk. La delene avkjøles før du bytter dem ut.

- ◆ Plasser verktøyet på en stabil og solid overflate.
- ◆ Skru de to festemutrene (7) mot klokken med skrunøkkel (9) som følger med, og ta dem helt av.
- ◆ Ta bort kjedetilgangsdekselet (8).
- ◆ Åpne håndtakene og dra øvre klo bakover (1).
- ◆ Dra sverdet (3) bakover og løft deretter sagkjeden (12) ut av sporet i sverdet (3).
- ◆ Ta bort kjeden (12) fra enheten.
- ◆ Vipp sverdet (3) opp over boltene.

## Montere sverdet og kjeden (figur C og D)

**Advarsel!** Bruk alltid vernehansker når du setter inn eller tar ut sagkjeden. Sagkjeden er skarp og kan kutte deg selv om den ikke er i bevegelse.

Sørg for at operasjonen utføres på en stabil og solid overflate.

- ◆ Åpne håndtakene og dra øvre klo bakover (1).
- ◆ Sett inn sverdet (3) i mellomrommet mellom kjedestrammeren og den første boltene, og vipp sverdet (3) ned over boltene.
- ◆ Legg kjeden (12) rundt fronten på sverdet (3), så tannhullet foran på sverdet (3) griper.
- ◆ Dra sverdet (3) og kjeden (12) bakover, slik at den festes i sporet i sverdet og deretter over tannhullet (11), slik at tennene plasseres i riktig posisjon på tannhullet.
- ◆ Sett kjedetilgangsdekselet (8) og festemutrene (7) på plass igjen, og fest dem godt.

## Bruk

**Advarsel!** La verktøyet arbeide med sin egen hastighet. Ikke overbelast det.

- ◆ Rengjør enheten regelmessig som beskrevet i vedlikeholdsdelen, og rengjør spesielt under kjedetilgangsdekselet.
- ◆ Den nedre (2) og øvre kloen (1) er utformet slik at de lukkes når du slipper ett av håndtakene, eller når grenen som skal kuttet, er kuttet av. Hvis dette ikke skjer, må du avslutte bruken av verktøyet og ta støpselet ut av kontakten. Kontroller om avfall blokkerer bevegelsen. I denne forbindelse kan det være nødvendig å ta av kjedetilgangsdekselet (8). Hvis problemet fortsetter etter at verktøyet er montert på nytt, leverer du det til et autorisert servicesenter.

### Smøring (figur E)

Før første gangs bruk og hvert tiende minutt under bruk må du smøre produktet med riktig kjedeolje (katalognr. A6027).

- ◆ Åpne oljedekselet (4) og sett oljeflasken inn i oljefyllingshullet (10). Trykk én gang på flasken for å tilføre olje.

Dette skal være tilstrekkelig til ca. 10 minutters kutting avhengig av kuttehastigheten og tretypen.

Hullet mater oljen gjennom til kjeden på sverdet (3), og hvis enheten tilføres for mye olje, kan det føre til at det drypper olje fra enheten rundt kloområdet. Dette er vanlig og ingenting å bekymre seg over.

### Slå på og av

**Advarsel!** Ikke prøv å låse eller feste en bryterutløser i på-stilling.

Av hensyn til din sikkerhet er dette verktøyet utstyrt med et dobbelt brytersystem. Dette systemet hindrer at verktøyet startes ved et uheld.

### Slå på (figur F)

- ◆ Pass på at du holder godt fast i håndtakene, og trykk deretter på begge bryterutløserne (5) for å slå på enheten.

### Slå av (figur F)

Slipp én av bryterutløserne (5).

**Merk:** Begge bryterutløserne må være aktivert for at produktet skal kunne brukes.

Ikke tving verktøyet fremover. La det gjøre arbeidet selv. Det vil gjøre en bedre og tryggere jobb med den hastigheten det er utformet for. Hvis du bruker for mye makt, blir kjeden strukket.

Hvis sagkjeden eller sverdet (3) setter seg fast:

- ◆ Slå av verktøyet.
- ◆ Ta støpselet ut av nettstikkkontakten.
- ◆ Åpne kuttet med kiler for å lette belastningen på sverdet (3). Ikke prøv å tvinge sagen fri. Start et nytt kutt.

### Beskjære grener (figur G)

Undersøk at det ikke er noen lokale lover eller bestemmelser som forbyr eller styrer beskjæring av tregrener.

Kontroller at verktøyet har nådd full hastighet før du kutter.

- ◆ Hold verktøyet fast for å unngå hopping eller sidelengs bevegelser i verktøyet.
- ◆ Før verktøyet fremover med et lett trykk.

Kutt alltid fra toppen og nedover. På den måten vil du unngå å sette sagkjeden i klem.

- ◆ Ta bort grener som vist i figur G. Begynn med grentuppen, og kutt grenen i logiske trinn ved å kutte av små deler.
- ◆ Ta verktøyet bort fra kuttet mens det kjører med full hastighet.

### Vedlikehold

Det nettdrevne/batteridrevne Black & Decker-apparatet/verktøyet er konstruert for å være i drift over lengre tid med et minimum av vedlikehold. Det er avhengig av riktig stell og regelmessig rengjøring for å fungere som det skal til enhver tid.

**Advarsel!** Før du utfører vedlikehold på nettdrevet/batteridrevet elektroverktøy:

- ◆ Slå av apparatet/verktøyet og trekk ut støpselet.
- ◆ Eller slå av apparatet/verktøyet og fjern batteriet fra dette hvis apparatet/verktøyet har separat batteripakke.
- ◆ Eller la batteriet gå helt tomt hvis det er innebygd, og slå deretter av.
- ◆ Fjern laderen fra stikkkontakten før du rengjør den. Laderen krever ikke annet vedlikehold enn regelmessig rengjøring.

Rengjør ventilasjonsåpningene i apparatet/verktøyet/laderen jevnlig med en myk børste eller tørr klut.

Rengjør motorhuset regelmessig med en fuktig klut. Ikke bruk slipende eller løsemiddelbaserte rengjøringsmidler.

Åpne chucken regelmessig og bank på den for å fjerne eventuelt støv fra innsiden (hvis en slik er montert).

### Rengjøring

- ◆ Ta jevnlig bort kjedetilgangsdekselet og fjern eventuelt avfall som har satt seg fast.
- ◆ Rengjør ventilasjonssporene regelmessig med en ren, tørr malerkost.
- ◆ Rengjør verktøyet bare med mild såpe og en fuktig klut. La det aldri komme væske inn i verktøyet og senk aldri noen deler av verktøyet ned i væske.

### Smøring

- ◆ Snør oljepunktene (10) regelmessig som angitt i figur B.

### Transport

- ◆ Transporter alltid verktøyet med lukkede klør.

### Oppbevaring

- ◆ Når verktøyet ikke skal brukes på flere måneder, smører du alle metaldeler med olje.
- ◆ Oppbevar verktøyet på et sikkert og tørt sted. Temperaturen under oppbevaring må alltid være i området + 5 °C til + 40 °C. Plasser produktet på flatt underlag på et sikkert sted.

## Miljø



Separat avfallshåndtering. Dette produktet må ikke kastes sammen med vanlig husholdningsavfall.

Hvis du synes Black & Decker-produktet bør skiftes ut, eller du ikke har bruk for det lenger, må du ikke kaste det sammen med husholdningsavfall. Sørg for separat avfallshåndtering for dette produktet.



Hvis brukte produkter og emballasje leveres atskilt, kan materialer resirkuleres og brukes på nytt. Gjenbruk av resirkulerte materialer bidrar til redusert miljøforurensing og reduserer behovet for råmaterialer.

Det kan være lokale bestemmelser for separat avfallshåndtering for elektriske produkter fra husstander på kommunale avfallsplasser eller hos forhandleren, når du kjøper et nytt produkt.

Black & Decker har en ordning for innsamling og resirkulering av Black & Decker-produkter som ikke skal brukes lenger. Du kan benytte denne tjenesten ved å levere produktet til et hvilket som helst autorisert serviceverksted.

Du kan finne ut hvor nærmeste autoriserte serviceverksted er, ved å kontakte din lokale Black & Decker-avdeling på adressen som er oppgitt i denne håndboken. En oversikt over autoriserte Black & Decker-serviceverksteder og alle opplysninger om ettersalgsservice og kontakter er også tilgjengelig på Internett: [www.2helpU.com](http://www.2helpU.com).

## Tekniske data

		GK1000	GK1050
		TYPE 2	TYPE 2
Spenning	$V_{AC}$	230	230
Inn-effekt	W	550	600
Kjedehastighet (uten belastning)	m/s	2.3	2.3
Maksimal kuttediameter	mm	100	100
Vekt	kg	3	3

Garantert lydtryknivå målt i henhold til  
EN 60745:

$L_{pA}$  (lydtrykk) 87 dB(A), usikkerhet (K) 3 dB(A)  
 $L_{WA}$  (akustisk effekt) 98 dB(A), usikkerhet (K) 3 dB(A)  
 $L_{WA}$  (garantert) 105 dB(A)  
 hånd/arm-vektet vibrasjon 4.95  $m/s^2$   
 usikkerhet (K) 1.5 dB(A)

**EF-samsvarserklæring**  
 MASKINERIDIREKTIV  
 DIREKTIV FOR UTENDØRSSTØY



## GK1000 GK1050

Black & Decker erklærer at disse produktene som er beskrevet under "Tekniske data", er i samsvar med:  
2006/42/EF og EN 60745-1

2000/14/EF, motorsag, vedlegg V

Lydeffektnivå i henhold til 2000/14/EF

$L_{WA}$ (målt lydeffekt)	dB	98
$L_{WA}$ (garantert lydeffekt)	dB	101

Disse produktene er også i samvar med direktivet  
2004/108/EF og 2011/65/EF

Hvis du ønsker mer informasjon, kontakt Black & Decker på følgende adresse, eller se på baksiden av håndboken.

Undertegnede er ansvarlig for utarbeidelsen av den tekniske dokumentasjonen og gir denne erklæringen på vegne av Black & Decker.

Kevin Hewitt  
 Vice-President Global Engineering  
 Black & Decker Europe, 210 Bath Road, Slough  
 Berkshire, SL1 3YD  
 Storbritannia  
 17/05/2012

## Garanti

Black & Decker er trygg på kvaliteten på sine produkter og tilbyr en enestående garanti. Denne garantierklæringen kommer i tillegg til dine lovbestemte rettigheter og er ikke i konflikt med disse. Garantien er gyldig i EU- og EFTA-medlemsstatene.

Hvis et Black & Decker-produkt går i stykker på grunn av material- og/eller fabrikkasjonsfeil eller har mangler i forhold til spesifikasjonene innen 24 måneder fra kjøpet, påtar Black & Decker seg å skifte ut defekte deler, reparere produkter som har vært utsatt for alminnelig slitasje, eller bytte ut slike produkter med minst mulig vanskelighet for kunden, med mindre:

- ◆ produktet har vært brukt i yrkes-/næringsvirksomhet eller til utleie.
- ◆ produktet har vært utsatt for feilaktig bruk eller forsømmelse.
- ◆ produktet har blitt skadet av fremmede gjenstander eller stoffer eller ved et uhell.
- ◆ andre enn autoriserte serviceverksteder eller Black & Deckers serviceteknikere har forsøkt å reparere produktet.

For å ta garantien i bruk må du vise kjøpskvittering til forhandleren eller til et autorisert serviceverksted. Du kan finne ut hvor nærmeste autoriserte serviceverksted er, ved å kontakte din lokale Black & Decker-avdeling på adressen som er oppgitt i denne håndboken. En oversikt over autoriserte Black & Decker-serviceverksteder og alle opplysninger om ettersalgsservice og kontakter er også tilgjengelig på Internett: **[www.2helpU.com](http://www.2helpU.com)**.

Besøk vårt webområde **[www.blackanddecker.no](http://www.blackanddecker.no)** for å registrere ditt nye Black & Decker-produkt og for å holde deg oppdatert om nye produkter og spesialtilbud. Du finner mer informasjon om Black & Decker og produktutvalget vårt på **[www.blackanddecker.no](http://www.blackanddecker.no)**.

## Anvendelsesområde

Din Black & Decker Alligator™ kapsav er designet til beskæring af grene på træer, savning af nedfaldne grene og savning af mindre kævlere på 25 mm til 100 mm i diameter, mens brugeren står på jorden. Værktøjet er kun beregnet til privat brug.

## Sikkerhedsanvisninger

### Generelle sikkerhedsadvarsler for elværktøj



**Advarsel! Læs alle sikkerhedsadvarsler og alle anvisninger.** Hvis ikke alle instruktioner følges, kan der opstå risiko for elektrisk stød, brand og/eller alvorlige personskader.

### Gem alle advarsler og instruktioner til senere brug.

- a. Begrebet "elværktøj", der benyttes i nedenstående advarsler, henviser til nedrevet elværktøj (med netledning) eller batteridrevet elværktøj (uden netledning).
1. **Sikkerhed i arbejdsområdet**
    - a. **Hold arbejdsområdet rent og ordentligt oplyst.** Uordentlige og uoplyste arbejdsområder øger faren for ulykke.
    - b. **Brug ikke elværktøj i eksplosive omgivelser, f.eks. hvor der er brændbare væsker, gasser eller støv.** Elværktøj kan forårsage gnister, der kan antænde støv eller dampe.
    - c. **Hold børn og andre personer på afstand, når elværktøjet er i brug.** Du kan miste kontrollen over værktøjet, hvis du distraheres.
  2. **Elektricitet og sikkerhed**
    - a. **Elværktøjsstik skal passe til stikkontakten. Stikket må under ingen omstændigheder ændres. Brug ikke adapterstik sammen med jordforbundet elværktøj.** Uændrede stik, der passer til stikkontakterne, nedsætter risikoen for elektrisk stød.
    - b. **Undgå kropskontakt med jordforbundne overflader som f.eks. rør, radiatorer, komfurer og køleskabe.** Hvis din krop er jordforbundet, øges risikoen for elektrisk stød.
    - c. **Elværktøj må ikke udsættes for regn eller fugt.** Indtrængen af vand i elværktøj øger risikoen for elektrisk stød.
    - d. **Ødelæg ikke ledningen. Bær, træk eller afbryd ikke elværktøjet vha. ledningen. Beskyt ledningen mod varme, olie, skarpe kanter eller maskindele, der er i bevægelse.** Beskadigede eller sammenfiltrede ledninger øger risikoen for elektrisk stød.
    - e. **Hvis elværktøj benyttes i det fri, skal der benyttes en forlængerledning, som er godkendt til udendørs brug.** Brug af en forlængerledning til udendørs brug nedsætter risikoen for elektrisk stød.

- f. **Brug en strømkilde med fejlstrømsbeskyttelse, hvis det er nødvendigt at anvende elværktøj på fugtige steder.** Med en fejlstrømsbeskyttelse reduceres risikoen for elektrisk stød.
3. **Personlig sikkerhed**
    - a. **Vær opmærksom, hold øje med, hvad du laver, og brug elværktøjet fornuftigt. Brug ikke et elværktøj, hvis du er træt eller påvirket af stoffer, medicin eller alkohol.** Få sekunders uopmærksomhed ved brug af elværktøjet kan føre til alvorlige personskader.
    - b. **Brug personlige værnemidler. Brug altid beskyttelsesbriller.** Brug af værnemidler som f.eks. støvmaske, skridsikret fodtøj, beskyttelseshjelm eller høreværn nedsætter risikoen for personskader, hvis udstyret anvendes korrekt.
    - c. **Sørg for, at værktøjet ikke kan starte utilsigtet. Kontroller, at afbryderkontakten står på slukket, inden værktøjet tilsluttes strømkilden og/eller batteriet, samles op eller bæres.** Bæres elværktøj, mens fingeren er på kontakten, eller tilsluttes det, mens kontakten står på tændt, kan der nemt ske en ulykke.
    - d. **Fjern indstillingsværktøj eller skruenøgle, inden elværktøjet tændes.** Et værktøj eller en nøgle, der efterlades i en roterende del i elværktøjet, kan resultere i personskader.
    - e. **Stræk dig ikke for langt. Sørg for, at du altid har sikkert fodfæste og balance.** Det gør det nemmere at kontrollere elværktøjet, hvis der skulle opstå uventede situationer.
    - f. **Brug egnet arbejdstøj. Undgå løse beklædningsgenstande eller smykker. Hold hår, tøj og handsker væk fra dele, der bevæger sig.** Bevægelige dele kan gribe fat i løstsiddende tøj, smykker eller langt hår.
    - g. **Hvis støvudsugnings- og opsamlingsudstyr kan monteres, er det vigtigt, at dette tilsluttes og benyttes korrekt.** Brug af dette udstyr nedsætter risikoen for skader forårsaget af støv.
  4. **Brug og vedligeholdelse af elværktøj**
    - a. **Undgå at overbelaste elværktøjet. Brug altid det rette elværktøj til opgaven.** Med det rigtige elværktøj udføres arbejdet lettere og sikrere og i det tempo, som værktøjet er beregnet til.
    - b. **Brug ikke elværktøjet, hvis afbryderen er defekt.** Elværktøj, der ikke kan reguleres med afbryderen, er farligt og skal repareres.
    - c. **Træk stikket ud af stikkontakten og/eller batteriet inden indstilling, tilbehørsudskiftning eller opbevaring af elværktøjet.** Disse sikkerhedsforanstaltninger reducerer risikoen for utilsigtet start af værktøjet.

- d. **Opbevar ubenyttet elværktøj uden for børns rækkevidde. Lad aldrig personer, der ikke er fortrolige med elværktøj, eller som ikke har gennemlæst disse instrukser, benytte maskinen.** Elværktøj er farligt, hvis det benyttes af ukyndige personer.
- e. **Elværktøj bør vedligeholdes omhyggeligt. Kontroller, om bevægelige dele er skæve og ikke sidder fast, og om delene er brækket eller beskadiget, så elværktøjets funktion påvirkes. Få beskadigede dele repareret, inden elværktøjet tages i brug.** Mange uheld skyldes dårligt vedligeholdt elværktøj.
- f. **Sørg for, at skæreværktøjer er skarpe og rene.** Omhyggeligt vedligeholdt skæreværktøjer med skarpe skærekanter sætter sig ikke så hurtigt fast og er nemmere at styre.
- g. **Brug elværktøjet, tilbehøret, indsatsværktøj osv. i overensstemmelse med disse instruktioner under hensyntagen til arbejdsforholdene og arbejdet, der skal udføres med værktøjet.** I tilfælde af anvendelse af elværktøjet til formål, som ligger uden for det fastsatte anvendelsesområde, kan der opstå farlige situationer.
5. **Service**
- a. **Lad kun kvalificerede fagfolk reparere elværktøjet, og benyt kun originale reservedele.** Dermed opretholdes elværktøjets sikkerhed.

**Yderligere sikkerhedsvejledninger for Alligator™ kapsav**  
**Advarsel!** Brug aldrig værktøjet over skulderhøjde. Stå altid på en sådan måde, at du er i sikkerhed for faldende grene og løse dele.

**Advarsel!** Brug ikke dette værktøj til fældning af træer.

- ◆ Hold altid krops- og beklædningsdele væk fra savkæden. Hold værktøjet foran dig, og vær opmærksom på savkædens position, især hvis der saves grene tæt ved jorden. Før du tænder, skal du kontrollere, at savkæden ikke er i kontakt med noget.
- ◆ Planlæg på forhånd en sikker undvigerute fra grene og trædele. Sørg for, at undvigeruten er fri for hindringer, der kan forhindre eller hæmme bevægelsesfriheden. Husk, at vådt græs og nyskåret bark er glat.
- ◆ Vær opmærksom på den retning, grene kan falde i. Tag alle forhold, som kan påvirke faldretningen, i betragtning, herunder:
  - Den tilsligtede faldretning.
  - Grenens naturlige hældning.
  - En usædvanligt tung stammestruktur eller forrådhelse.
  - Omkringstående træer og hindringer inkl. el-ledninger.
  - Vindens hastighed og retning.
- ◆ Sikkerhedsafstanden mellem en gren og trædele, der skal skæres ned, og andre personer, bygninger og andre genstande skal være mindst 2 1/2 gange grenens længde. Omkringstående, bygninger eller genstande inden for denne afstand risikerer at blive ramt af den nedfaldende gren.
- ◆ Ved savning i en stammedel, der står under spænding, skal du være opmærksom på eventuel tilbagefjedring. Når spændingen i træfibrene udløses, kan den fjederbelastede stammedel ramme brugeren og/eller bringe værktøjet ud af kontrol.
- ◆ Brug altid egnet sikkerhedsudstyr som f.eks. skridsikker fodtøj, beskyttelseshjelm, sikkerhedsbriller, høreværn og handsker, når der arbejdes med værktøjet.
- ◆ Sørg for, at en anden person er i nærheden (på sikker afstand) i tilfælde af en ulykke.
- ◆ Brug ikke værktøjet, når du befinder dig oppe i et træ, står på en stige eller på anden ustabil understøttelse.
- ◆ Sørg for, at du altid har sikkert fodfæste og balance.
- ◆ Hold godt fast i værktøjet med begge hænder, når motoren kører.
- ◆ Hold håndtagene tørre, rene og fri for olie og fedt. Fedtede og olierede håndtag er glatte og kan føre til tab af kontrol.
- ◆ Lad ikke den kørende kæde komme i kontakt med genstande ved spidsen af sværdet.
- ◆ Sørg for, at savkæden altid har den rette spænding. Kontroller kædespændingen regelmæssigt med motoren standset og ledningen trukket ud af stikkontakten.
- ◆ Påbegynd og genoptag kun savningen, når kæden bevæger sig med maksimal hastighed.
- ◆ Pas på grene, der flytter sig, eller andre kræfter, der kan lukke savsporet og klemme eller falde ind i kæden.
- ◆ Udvis stor forsigtighed ved genoptagning af savning i et gammelt savspor. Lås spidserne på den nederste kæbe fast i træet, og lad kæden nå fuld hastighed, før der fortsættes med savningen.
- ◆ I tilfælde af anvendelse af dette værktøj til formål, der ligger uden for det fastsatte anvendelsesområde, kan der opstå farlige situationer. Sav kun i træ. Anvend ikke dette værktøj til formål, det ikke er beregnet til - anvend f.eks. ikke værktøjet til savning i plastik, murværk eller byggemateriale, der ikke er af træ.
- ◆ Hvis fremmedlegemer kommer til at sidde fast i afskærmningen eller værktøjet, skal arbejdet straks afbrydes, ledningen trækkes ud af stikkontakten og fremmedlegemet fjernes.
- ◆ Slidte kæder og sværd skal udskiftes.
- ◆ Anvend kun udskiftningssværd og -kæder, som er godkendt af producenten.

## Andres sikkerhed

- ◆ Dette værktøj må ikke bruges af personer (herunder børn) med nedsatte fysiske, sensoriske eller mentale evner eller manglende erfaring og viden, medmindre det sker under overvågning, eller der gives instruktion i brugen af værktøjet af en person, der er ansvarlig for deres sikkerhed.
- ◆ Børn skal holdes under opsyn, så det sikres, at de ikke leger med værktøjet.

## Vibration

De angivne værdier for udsendelse af vibration opført under de tekniske data og overensstemmelseserklæringen er målt i henhold til standardtestmetoden anført i EN 60745 og kan bruges til at sammenligne ét værktøj med et andet. Den angivne værdi for udsendelse af vibration kan også bruges som en foreløbig vurdering af eksponeringen.

**Advarsel!** Værdien for udsendelse af vibration ved faktisk brug af elværktøjet kan afvige fra den angivne værdi afhængig af måden, værktøjet anvendes på. Vibrationsniveauet kan overstige det angivne niveau.

I vurderingen af vibrationseksponeringen med henblik på fastsættelse af sikkerhedsforanstaltninger krævet i 2002/44/EF til beskyttelse af personer, der jævnligt anvender elværktøj i deres arbejde, skal der tages hensyn til de faktiske betingelser under brugen, og måden værktøjet bruges på, herunder alle arbejds cyklussens elementer, f.eks. perioder, hvor værktøjet er slukket og kører i tomgang samt startperioderne.

## Mærkater på værktøj

Værktøjet er forsynet med følgende symboler:



**Advarsel!** Brugeren skal læse brugervejledningen for at reducere risikoen for tilskadekomst.



Anvend ikke saven under våde forhold, og udsæt den ikke for regn.



Brug altid hovedbeskyttelse, høreværn og sikkerhedsbriller.



Vær opmærksom på faldende genstande.



Hold omkringstående på afstand.



Anvend ikke saven, mens du står på stiger.



Kontroller kædespændingen for hver 10 minutters brug. Juster den tilbage til en frigang på 3 mm.



Smør kæden for hver 10 minutters brug.



**Advarsel!** Rør ikke kæden ved spånudgangen.



Kædens bevægelsesretning.



Træk straks ledningen ud af stikkontakten, hvis ledningen beskadiges, eller der saves i den.

## Elektricitet og sikkerhed



Dette værktøj er dobbeltisoleret. Derfor er en jordledning ikke nødvendig. Kontroller altid, at strømforsyningen svarer til spændingen på typeskiltet.

- ◆ Hvis netledningen beskadiges, skal den udskiftes af producenten eller et autoriseret Black & Decker-værksted, så farlige situationer undgås.

## Brug af en forlængerledning

- ◆ Brug altid en godkendt forlængerledning, der er egnet til dette værktøjs strømstik (se de tekniske data). Forlængerledningen skal være egnet til udendørs brug og mærket i overensstemmelse hermed. Der kan bruges en HO5VV-F-forlængerledning på op til 30 m med et tværsnit på 1,5 mm<sup>2</sup>, uden at produktets ydeevne forringes. Før brug skal forlængerledningen inspiceres for tegn på beskadigelse, slid og ældning. Udskift forlængerledningen, hvis den er beskadiget eller defekt. Rul ledningen helt ud, hvis der anvendes en kabeltromle.

## Restrisiko

Til trods for overholdelse af samtlige relevante sikkerhedsbestemmelser og anvendelse af sikkerhedsforholdsregler medfører brugen af save til bearbejdning af træ en række restrisici, som ikke kan undgås. Disse er:

- ◆ Risiko for tilskadekomst på grund af kontakt med bevægelige dele, skarpe dele, varme dele, grene eller trædele, der falder ned på brugeren, omkringstående eller ejendomme, og genstande, der kastes ud af værktøjet.
- ◆ Risiko for tilskadekomst på grund af utilsigtet anvendelse, fald fra en stige eller arbejdsposition i et træ, skade på forsyningsledningen, anvendelse af værktøjet på våde eller farlige steder, unge eller svagelige personers anvendelse af produktet, undladelse af at bruge egnet udstyr til personbeskyttelse eller egnet påklædning, indånding af støv, som dannes ved savning i træ.

Ovenstående risici er søgt minimeret ved at medtage advarsler i sikkerhedsvejledningerne og/eller markeringer, der er påsat værktøjet.

Vibrationsværdien, der fremgår af denne vejledning, er i overensstemmelse med den standardiserede test i EN60745. Brugeren bør ikke udsætte sig for kraftig vibration i længere tidsrum. Værktøjets vibrationsafgivelse ligger under 5 m/s og er således inden for grænserne i 2002/44/EF for kontinuerlig drift på en 8-timers dag. De faktiske driftsbetingelser kan variere og muligvis forøge vibrationsniveauet i forhold til resultatet af standardtesten.

### Funktioner

1. Øverste kæbe
2. Nederste kæbe
3. Sværd
4. Smørefuldækning
5. Afbryderknapper
6. Spånudgang

### Kædespændingsjustering (fig. A og B)

**Advarsel!** Kontroller, at værktøjet er slukket, og at ledningen er taget ud af stikkontakten før justering af kæden eller andre dele.

**Advarsel!** Sværdet og kæden kan være varme efter brug. Lad dem køle af før justering. Produktet er samlet, når du køber det. Vi anbefaler dog, at du kontrollerer kædens (12) spænding og kædefastgøringstrækkerne før brug og justerer om nødvendigt.

### Kontrol og justering af kædespænding (fig. A)

- ◆ Kædens (12) spænding justeres ved at løsne de to fastgøringstrækker (7) til kædefuldækningen med skruenøglen (9), hvorefter kædejusteringsenheden skubber sværdet (3) ud og indstiller den korrekte spænding. Spænd de to fastgøringstrækker (7), så de sidder ordentligt fast.
- ◆ Kontroller, at den korrekte spænding er indstillet, ved at trække i kæden (12). Spændingen er korrekt, hvis kæden springer tilbage efter at være trukket 3 mm væk fra sværdet (3). Kæden må ikke "hænge" i forhold til underkanten af sværdet.

**Bemærk:** Savkæden må ikke overspændes, da det vil medføre kraftig slitage og afkorte sværdets og kædens levetid. Dette vil desuden forringe produktets ydeevne.

**Bemærk:** Når saven bruges for første gang, og hvis kæden er ny, skal spændingen kontrolleres ofte, da nye kæder strækker sig en smule.

**Bemærk:** Hvis kæden ikke kan spændes korrekt, kan det være nødvendigt at udskifte den. Kontakt nærmeste servicecenter.

### Udskiftning af kæden og sværdet

Efter lang tids brug kan det være nødvendigt at udskifte kæden (12) og/eller sværdet (3). Anvend kun reservedele, der er godkendt af Black & Decker.

### Afmontering af savkæden og sværdet (fig. A og B)

**Advarsel!** Anvend altid beskyttelseshandsker ved montering og afmontering af savkæden. Savkæden er skarp, og man kan skære sig på den, selv om den ikke kører.

**Advarsel!** Sværdet og kæden kan være varme efter brug. Lad dem køle af før udskiftning.

- ◆ Anbring værktøjet på en stabil overflade.
- ◆ Drej de to fastgøringstrækker (7) imod urets retning vha. den medfølgende skruenøgle (9), og fjern dem helt.
- ◆ Fjern skjoldet (8) over kæden.
- ◆ Åbn håndtagene, og træk den øverste kæbe (1) tilbage.
- ◆ Træk sværdet (3) tilbage, og løft derefter savkæden (12) ud af sporet i sværdet (3).
- ◆ Tag kæden (12) af.
- ◆ Herefter kan sværdet (3) vinkles op og fri af boltene.

### Samling af sværd og kæde (fig. C og D)

**Advarsel!** Anvend altid beskyttelseshandsker ved montering og afmontering af savkæden. Savkæden er skarp, og man kan skære sig på den, selv om den ikke kører.

Udfør alt arbejde på et stabilt underlag.

- ◆ Åbn håndtagene, og træk den øverste kæbe (1) tilbage.
- ◆ Sæt sværdet (3) ind i åbningen imellem kædestrammeren og den første bolt, hvorefter sværdet (3) kan vinkles ned over boltene.
- ◆ Læg kæden (12) omkring den forreste del af sværdet (3), og kontroller, at den går i indgreb med tandhjulet i spidsen af sværdet (3).
- ◆ Træk sværdet (3) og kæden (12) tilbage, mens kæden føres ind i sporet i sværdet og derefter over tandhjulet (11), så tænderne kommer til at sidde korrekt på tandhjulet.
- ◆ Sæt kædeadgangsafdækningen (8) på plads, og spænd fastgøringstrækkerne (7), så de sidder ordentligt fast.

### Anvendelse

**Advarsel!** Lad værktøjet arbejde i dets eget tempo. Det må ikke overbelastes.

- ◆ Rengør apparatet regelmæssigt som beskrevet i afsnittet om vedligeholdelse, og vær især opmærksom på indersiden af kædeadgangsafdækningen.
- ◆ Den nederste kæbe (2) og den øverste kæbe (1) skal lukke sammen, hvis et af håndtagene slippes, eller når grenen, der saves i, er savet igennem. Hvis dette ikke sker, skal anvendelsen af værktøjet straks afbrydes, og ledningen trækkes ud af stikkontakten. Kontroller, om bevægelsen blokeres af fremmedlegemer. Her kan det være nødvendigt at fjerne skjoldet (8). Hvis problemet fortsat er til stede efter samling af værktøjet, skal værktøjet indleveres til et autoriseret værksted.

**Smøring (fig. E)**

Før første ibrugtagning og for hver ti minutters brug skal produktet smøres med den foreskrevne kædeolie (kat. nr. A6027).

- Åbn smørefafdækningen (4), og sæt olieflaskens studs ind i oliepåfyldningshullet (10). Tryk en enkelt gang på flasken for at påfylde olie.

Dette bør afhængigt af savehastigheden og træets type være tilstrækkeligt til omkring 10 minutters savearbejde.

Hullet fører olien gennem savkæden til sværdet (3); hvis der kommer for meget olie i værktøjet, kan olien begynde at dryppe fra værktøjet omkring kæbeområdet. Dette er normalt og ingen grund til bekymring.

**Start og stop**

**Advarsel!** Forsøg aldrig at låse eller fastgøre en afbryderknop i tændt position.

Af sikkerhedsmæssige hensyn er værktøjet udstyret med et dobbelt afbrydersystem. Dette system forhindrer utilsigtet start af værktøjet.

**Start (fig. F)**

- Tag godt fat i håndtagene, og tryk derefter på begge afbryderknapper (5) for at tænde apparatet.

**Stop (fig. F)**

Slip en af afbryderknapperne (5).

**Bemærk:** Der skal trykkes på begge afbryderknapper, for at produktet kan bruges.

Overbelast ikke værktøjet, lad det gøre arbejdet selv. Værktøjet arbejder bedre og sikrere med den hastighed, det er designet til. Overdreven kraftanvendelse vil strække kæden.

Hvis savkæden eller sværdet (3) kommer i klemme:

- Sluk værktøjet.
- Træk værktøjets ledning ud af stikkontakten.
- Åbn snittet med kiler for at mindske belastningen på sværdet (3). Forsøg ikke at rykke eller vride saven fri. Sav igen et nyt sted.

**Beskæring af grene (fig. G)**

Undersøg, om lokale vedtægter eller bestemmelser forbyder eller fastlægger tidsgrænser for beskæring af træer.

Sørg for, at værktøjet kører ved fuld hastighed, før der skæres.

- Hold godt fast i værktøjet for at undgå pludselig hoppen eller sideværts bevægelse af værktøjet.
- Før værktøjet med et let tryk.

Skær altid oppefra og ned. På den måde undgås det, at savkæden bliver klemt fast.

- Fjern grenene som vist i fig. G. Start i spidsen af grenen, og afkort den lidt ad gangen i logiske intervaller.
- Fjern værktøjet fra snittet, mens det kører med fuld hastighed.

**Vedligeholdelse**

Dit Black & Decker-apparat/værktøj med eller uden ledning er beregnet til brug gennem lang tid med et minimum af vedligeholdelse. Forsat tilfredsstillende drift afhænger af korrekt behandling af værktøjet samt regelmæssig rengøring.

**Advarsel!** Før udførelse af nogen form for vedligeholdelse på elværktøj med/uden ledning:

- Sluk, og tag apparatets/værktøjets stik ud af stikkontakten.
- Eller sluk og fjern batteriet fra apparatet/værktøjet, hvis det har en separat batteripakke.
- Eller aflad batteriet helt, hvis det er indbygget, og sluk derefter.
- Træk laderen ud af stikkontakten, før den rengøres. Laderen kræver ingen vedligeholdelse, men skal rengøres jævnligt.

Rengør jævnligt apparatets/værktøjets/laderens ventilationshuller med en blød børste eller en tør klud.

Rengør med jævne mellemrum motorhuset med en fugtig klud. Der må ikke bruges skuremidler eller opløsningsmidler.

Åbn jævnligt patronen, og bank på den for at fjerne indvendigt støv (hvis monteret).

**Rengøring**

- Afmonter regelmæssigt kædeadgangsafdækningen og fjern eventuelle fremmedlegemer, der måtte være fastklemt.
- Rengør regelmæssigt ventilationsåbningerne med en ren, tør pensel.
- Brug kun en mild sæbe og en fugtig klud til rengøring af værktøjet. Lad aldrig væske trænge ind i værktøjet, og nedsænk aldrig nogen del af værktøjet i væske.

**Smøring**

- Smør regelmæssigt smørepunkterne (10), som vist i fig. B.

**Transport**

- Transporter altid værktøjet med kæberne lukket.

**Opbevaring**

- Hvis værktøjet ikke skal bruges i flere måneder, skal metalkomponenterne aftørres med olie.
- Opbevar værktøjet på et sikkert og tørt sted. Opbevaringstemperaturen skal ligge mellem +5°C og +40°C. Anbring batteriet på et plant og sikkert sted.

## Miljøbeskyttelse



Separat bortskaffelse. Dette produkt må ikke bortskaffes sammen med almindeligt husholdningsaffald.

Når dit Black & Decker-produkt en dag er udtjent, eller du ikke længere har brug for det, må du ikke smide det ud sammen med det almindelige affald. Produktet skal bortskaffes separat.



Ved separat bortskaffelse af brugte produkter og emballage bliver der mulighed for at genanvende forskellige materialer. Genanvendelse af materialer medvirker til at forebygge miljøforurening og mindsker behovet for råstoffer.

Lokal lovgivning kan kræve separat indsamling af elektriske husholdningsapparater på kommunale affaldsdeponer eller af den detailhandelnde ved køb af et nyt produkt.

Black & Decker sørger for at indsamle og genanvende Black & Decker-produkter, når disse ikke længere kan bruges. Hvis du vil benytte dig af denne service, skal du returnere produktet til et autoriseret værksted, der indsamler produkterne for os.

Kontakt det lokale Black & Decker-kontor på den adresse, der er angivet i denne vejledning, for at få oplysninger om nærmeste autoriserede værksted. En liste over alle autoriserede Black & Decker-serviceværksteder samt servicevilkår og kontaktpersoner er tilgængelig på internettet på adressen: [www.2helpU.com](http://www.2helpU.com).

### Tekniske data

		GK1000	GK1050
		TYPE 2	TYPE 2
Spænding	V <sub>AC</sub>	230	230
Indgangseffekt	W	550	600
Kædehastighed (ubelastet)	m/sek.	2.3	2.3
Maks. skærediameter	mm	100	100
Vægt	kg	3	3

Garanteret lydtrykniveau, målt i overensstemmelse med EN 60745:

L<sub>pA</sub> (lydtryk) 87 dB(A), usikkerhed (K) 3 dB(A)

L<sub>WA</sub> (akustisk effekt) 98 dB(A), usikkerhed (K) 3 dB(A)

L<sub>WA</sub> (garanteret) 105 dB(A)

Hånd/arm vægget vibration 4.95 m/s<sup>2</sup>  
usikkerhed (K) 1.5 dB(A)

## EF-overensstemmelseserklæring

MASKINDIREKTIV  
DIREKTIV FOR STØJ UDEN DØRE



### GK1000 GK1050

Black & Decker erklærer, at produkterne beskrevet under "Tekniske data" er i overensstemmelse med:  
2006/42/EF og EN 60745-1

2000/14/EF, Kædesav, Annex V

Lydintensitetsniveau i henhold til 2000/14/EF

L <sub>WA</sub> (målt lydeffekt)	dB	98
L <sub>WA</sub> (garanteret lydeffekt)	dB	101

Dette produkt er endvidere i overensstemmelse med direktiv 2004/108/EF og 2011/65/EF

Kontakt Black & Decker på nedenstående adresse, eller se vejledningens bagside for at få flere oplysninger.

Undertegnede er ansvarlig for udarbejdelsen af de tekniske data og fremsætter denne erklæring på vegne af Black & Decker.

Kevin Hewitt

Vice-President Global Engineering  
Black & Decker Europe, 210 Bath Road, Slough,  
Berkshire, SL1 3YD  
Storbritannien  
17/05/2012

## Garanti

Black & Decker garanterer, at produktet er fri for skader og fejl og tilbyder en fremragende garanti. Garantien er et tillæg til forbrugerens lovsikrede rettigheder og påvirker ikke disse. Garantien gælder inden for medlemsstaterne af den Europæiske Union og i det Europæiske Frihandelsområde.

Hvis et Black & Decker-produkt går i stykker på grund af materiel skade og/eller fabrikationsfejl eller på anden måde ikke fungerer i overensstemmelse med specifikationen inden for 24 måneder fra købsdatoen, påtager Black & Decker sig at reparere eller ombytte produktet med mindst mulig ulempe for kunden. Garantien gælder ikke for fejl og mangler, der er sket i forbindelse med:

- ◆ Produktet har været anvendt erhvervs-mæssigt eller til udlejning.
- ◆ Produktet har været anvendt forkert eller er ikke vedligeholdt.
- ◆ Produktet er beskadiget af fremmedlegemer, substanser eller pga. uheld.
- ◆ Garantien gælder ikke, hvis reparationer er udført af andre end et autoriseret Black & Decker-værksted.

For at udnytte garantien skal produktet og købskvitteringen indleveres til forhandleren eller til et autoriseret værksted. Kontakt det lokale Black & Decker-kontor på den adresse, der er opgivet i denne vejledning, for at få oplysninger om nærmeste autoriserede værksted. En liste over alle autoriserede Black & Decker-serviceværksteder samt servicevilkår og kontaktpersoner er tilgængelig på internettet på adressen: **[www.2helpU.com](http://www.2helpU.com)**

Gå venligst ind på vores website **[www.blackanddecker.dk](http://www.blackanddecker.dk)** for at registrere dit nye produkt og for at blive holdt ajour om nye produkter og specialtilbud. Der findes yderligere oplysninger om mærket Black & Decker og vores produktsortiment på adressen **[www.blackanddecker.dk](http://www.blackanddecker.dk)**.

## Käyttötarkoitus

Black & Decker Alligator™ -oksatrimmeri on tarkoitettu puiden oksien karsimiseen, pudonneiden oksien katkaisemiseen ja pienten, halkaisijaltaan 25–100 mm:n halkojen katkaisemiseen käyttäjän seistessä maassa. Tämä työkalu on tarkoitettu vain yksityiskäyttöön.

## Turvallisuusohteet

### Sähkötyökalujen yleiset turvavaroitukset



**Varoitus! Lue kaikki turvavaroitukset ja ohjeet.**

Ohjeiden noudattamisen laiminlyönti saattaa johtaa sähköiskun, tulipaloon ja/tai vakavaan loukkaantumiseen.

### Säästä kaikki varoitukset ja ohjeet tulevaa käyttöä varten.

- a. Ohjeissa käytetty käsite "sähkötyökalu" tarkoittaa verkkokäyttöisiä sähkötyökaluja (verkkojohdolla varustettuja) ja akkukäyttöisiä sähkötyökaluja (ilman verkkojohtoa).

#### 1. Työalueen turvallisuus

- a. **Pidä työskentelyalue puhtaana ja hyvin valaistuna.** Työpaikan epäjärjestys ja valaisemattomat työalueet voivat johtaa tapaturmiin.
- b. **Älä työskentele sähkötyökalulla räjähdysalttiissa ympäristössä, jossa on palavaa nestettä, kaasua tai pölyä.** Sähkötyökalu muodostaa kipinöitä, jotka saattavat sytyttää pölyn tai höyryt.
- c. **Pidä lapset ja sivulliset loitolla sähkötyökalua käyttäessäsi.** Voit menettää laitteen hallinnan, jos huomiosi suuntautuu muualle.

#### 2. Sähköturvallisuus

- a. **Sähkötyökalun pistokkeen tulee sopia pistorasiaan. Pistoketta ei saa muuttaa millään tavalla. Älä käytä mitään pistorasiasovittimia maadoitettujen sähkötyökalujen kanssa.** Alkuperäiset pistokkeet ja niille sopivat pistorasiat vähentävät sähköiskun vaaraa.
- b. **Vältä koskettamasta maadoitettuja pintoja, kuten putkia, pattereita, liesiä tai jääkaappeja.** Sähköiskun vaara kasvaa, jos kehosi on maadoitettu.
- c. **Älä altista sähkötyökalua satellel tai kosteudelle.** Veden tunkeutuminen sähkötyökalun sisään kasvattaa sähköiskun riskiä.
- d. **Älä käsittele virtajohtoa kovakouraisesti. Älä käytä sitä sähkötyökalun kantamiseen, vetämiseen tai pistokkeen irrottamiseen pistorasiasta. Pidä johto loitolla kuumuudesta, öljystä, terävistä reunoista ja liikkuvista osista.** Vahingoittuneet tai sotkeutuneet johdot lisäävät sähköiskun vaaraa.

- e. **Käyttäessäsi sähkötyökalua ulkona käytä ainoastaan ulkokäyttöön soveltuva jatkovohtoa.** Ulkokäyttöön soveltuvan jatkovohtoon käyttö pienentää sähköiskun vaaraa.
- f. **Jos sähkötyökalua on välttämättä käytettävä kosteassa paikassa, käytä jäännösvirtalaitteella (RCD) suojattua virtalähdettä.** Jäännösvirtalaitteen käyttö vähentää sähköiskun vaaraa.

#### 3. Henkilöturvallisuus

- a. **Keskity työskentelyysi ja noudata tervettä järkeä käyttäessäsi sähkötyökaluja. Älä käytä sähkötyökalua, jos olet väsynyt tai huumeiden, alkoholin tai lääkkeiden vaikutuksen alaisena.** Hetken tarkkaamattomuus sähkötyökalua käytettäessä saattaa johtaa vakavaan loukkaantumiseen.
- b. **Käytä henkilökohtaisia suojavarusteita. Käytä aina suojalaseja.** Suojavarusteet, kuten hengityssuojain, luistamattomat turvajalkineet, kypärä ja kuulosuojaimet, pienentävät loukkaantumisriskiä, jos niitä käytetään tilanteen mukaan oikein.
- c. **Vältä tahatonta käynnistämistä. Varmista, että kytkin on OFF-asennossa, ennen kuin liität laitteen virtalähteeseen ja/tai akkuun, nostat laitteen tai kannat sitä.** Onnettomuusvaara lisääntyy, jos kannat sähkötyökalua sormi käyttökytkimellä tai kytket työkalun virtajohdon pistorasiaan, kun käyttökytkin on päällä.
- d. **Irrota mahdollinen säätö- tai kiintoavain, ennen kuin käynnistät sahan.** Sahan pyöriivään osaan kiinni jäänyt avain voi johtaa loukkaantumiseen.
- e. **Älä kurkota liian kauas. Seiso aina tukevasti ja tasapainossa.** Tällöin voit paremmin hallita sähkösahaa yllättävissä tilanteissa.
- f. **Käytä tarkoitukseen soveltuvia vaatteita. Älä käytä löysiä työvaatteita tai koruja. Pidä hiukset, vaatteet ja käsineet loitolla liikkuvista osista.** Väljät vaatteet, korut ja pitkät hiukset voivat takertua liikkuviin osiin.
- g. **Jos työkalu voi liittää pölynimuriin, tarkista, että liitos on tehty asianmukaisesti ja että sitä käytetään oikealla tavalla.** Tällaisen laitteen käyttö vähentää pölyn aiheuttamia vaaroja.
4. **Sähkötyökalujen käyttö ja hoito**
- a. **Älä ylikuormita laitetta. Käytä kyseiseen työhön tarkoitettua sähkötyökalua.** Sopivaa sähkötyökalua käyttäen työskentelet paremmin ja turvallisemmin tehoalueella, jolle sähkötyökalu on tarkoitettu.
- b. **Älä käytä sähkötyökalua, jota ei voida käynnistää ei voi käynnistää virtakytkimestä.** Jos sähkötyökalua ei voi käynnistää ja pysäyttää virtakytkimellä, se on vaarallinen ja se täytyy korjata.

- c. **Irota pistotulppa pistorasiasta ja/tai akku laitteesta, ennen kuin suoritat säätöjä, vaihdat tarvikkeita tai siirrä sähkötyökalun varastoitavaksi.** Nämä turvatoimenpiteet pienentävät sähkötyökalun tahattoman käynnistämisen riskiä.
- d. **Säilytä sähkötyökalut poissa lasten ulottuvilta, kun niitä ei käytetä. Älä anna sahaa sellaisen henkilön käyttöön, joka ei tunne sitä tai joka ei ole tutustunut tähän käyttöohjeeseen.** Sähkötyökalut ovat vaarallisia kokemattoman käyttäjän käsissä.
- e. **Hoida sähkötyökalusi huolella. Tarkista, että liikkuvat osat toimivat moitteettomasti ja etteivät ne ole puristuksessa. Tarkista myös, ettei työkalussa ei ole murtuneita tai vahingoittuneita osia, jotka saattaisivat vaikuttaa haitallisesti sen toimintaan. Korjauta mahdolliset viat ennen käyttöönottoa.** Moni tapaturma aiheutuu huonosti huolletuista laitteista.
- f. **Pidä leikkausterät terävinä ja puhtaina.** Huolellisesti hoidettu, terävä saha ei tartu herkästi kiinni, ja sitä on helpompi hallita.
- g. **Käytä sähkötyökaluja, tarvikkeita, vaihtotyökaluja jne. näiden ohjeiden mukaisesti. Ota tällöin huomioon työolosuhteet ja suoritettava toimenpide.** Sähkötyökalun käyttö muuhun kuin sille määrättyyn käyttöön saattaa johtaa vaarallisiin tilanteisiin.
5. **Huolto**
- a. **Korjauta sähkötyökalu koulutetulla ja ammattitaitoisella henkilöllä ja hyväksy korjauksiin vain alkuperäisiä varaosia.** Näin varmistat, että sähkötyökalu säilyy turvallisena.

#### Lisäturvaohjeet Alligator™ -oksatrimmerille

**Varoitus!** Älä käytä konetta olkapäiden tasoa korkeammalla.

Pysyttele poissa putoavien oksien, lehvistön ja roskien alta.

**Varoitus!** Älä kaada puita tällä työkalulla.

- ◆ Pidä kehon osat ja vaatteet aina loitolla teräketjusta. Pidä työkalua edessäsi ja huomioi teräketjun asento etenkin katkaistessasi lähellä maanpintaa olevia oksia. Ennen virran kytkentää varmista, että teräketju ei kosketa mihinkään esineeseen.
- ◆ Suunnittele etukäteen väistämissuuntasi pois putoavien oksien ja roskien alta. Varmista, että aikomassasi väistämissuunnassa ei ole siirtymistä rajoittavia esteitä. Muista, että märkä ruoho ja juuri irronnut puunkuori on liukkaasta.
- ◆ Huomioi suunta, johon oksa voi pudota. Mieti etukäteen kaikkia putoamisuuntaan vaikuttavia tilanteita, joita ovat esimerkiksi seuraavat:
  - suunta, johon oksan pitäisi pudota
  - puun kallistuma
  - poikkeuksellisen raskaat oksat tai lahot kohdat
- ympäröivät puut ja esteet, myös yli kulkevat jännitteiset johdot
- tuulen nopeus ja suunta.
- ◆ Turvallinen etäisyys katkaistavan oksan ja lehvistön sekä sivullisten, rakennusten ja muiden rakenteiden välillä on vähintään 2,5 kertaa oksan pituus. Putoavat oksat voivat osua tätä etäisyyttä lähempänä oleviin sivullisiin, rakennuksiin tai muihin rakenteisiin aiheuttaen vaaratilanteita.
- ◆ Ole varovainen katkaistessasi jännittyneenä olevaa oksaa, sillä se saattaa ponnahtaa yllättävään suuntaan. Kun puun kuituihin kohdistunut jännitys laukeaa, ponnahtava oksa voi osua käyttäjään ja/tai työkaluun ja aiheuttaa hallinnan menetyksen.
- ◆ Käyttäessäsi työkalua pidä aina ylläsi tilanteen edellyttämiä suojavarusteita, kuten luistamattomia turvajalkineita, kypärää, suojalaseja, kuulosuojaimia ja hansikkaita.
- ◆ Pyydy aina toista henkilöä olemaan lähistöllä (turvallisen etäisyyden päässä) onnettomuustilanteen varalta.
- ◆ Älä yritä käyttää työkalua ollessasi puussa, tikapuilla tai seistessäsi epävakaaalla telineellä.
- ◆ Seiso aina tukevasti ja tasapainossa.
- ◆ Pidä työkalusta kiinni tukevasti molemmin käsin moottorin käydessä.
- ◆ Kahvojen tulee olla kuivat, puhtaat ja rasvattomat. Rasvaiset tai öljyiset kahvat ovat liukkaat, ja ote heltiää niistä helposti.
- ◆ Ketjun pyöriessä varo, ettei terälevyn kärki osu mihinkään kohteeseen.
- ◆ Pidä teräketju oikealla kireydellä. Tarkista kireys säännöllisesti moottori pysäytettynä ja virtajohto irrotettuna.
- ◆ Aloita katkaisu ja työskentele vain ketjun pyöriessä täydellä nopeudella.
- ◆ Tarkkaile oksan liikkeitä, sillä katkaisukohtaan saattaa kohdistua voimaa, joka johtaa terän takertumiseen katkaisukohtaan.
- ◆ Ole erittäin varovainen jatkaessasi katkaisua aikaisemmin aloitettua kohdasta. Tartu alaleuan piikeillä puusta ja jatka katkaisua vasta kun saha on saavuttanut täyden käyntinopeuden.
- ◆ Tämän työkalun käyttö muuhun kuin sille määrättyyn käyttöön saattaa johtaa vaarallisiin tilanteisiin. Käytä työkalua vain oksien ja ohuiden puiden katkaisuun. Älä käytä työkalua muihin tarkoituksiin. Älä katkaise sillä esimerkiksi muovi-, tiili- tai harkkomateriaaleja tai mitään rakennusmateriaalia, joka ei ole puuta.
- ◆ Jos suojukseen tai työkaluun tarttuu roskaa, lopeta käyttö, irrota virtajohto ja puhdista roskat.
- ◆ Uusi kulunut teräketju ja terälevy viipymättä.
- ◆ Käytä varaosina vain valmistajan suosittelemia levyjä ja ketjuja.

## Muiden turvallisuus

- Tätä työkalua ei ole tarkoitettu sellaisten henkilöiden käyttöön, joilla on fyysisiä tai älyllisiä rajoitteita tai aistirajoitteita, eikä laitteen toimintaan perehtymättömien henkilöiden käyttöön (lapset mukaan luettuina), paitsi valvonnan alaisina tai jos he ovat saaneet laitteen käyttöön liittyvää opastusta heidän turvallisuudestaan vastaavalta henkilöltä.
- Lapsia on valvottava ja heitä on estettävä leikkimästä laitteella.

## Tärinä

Teknisissä tiedoissa ja vaatimustenmukaisuusilmoituksessa ilmoitettu tärinäpäästöarvo on mitattu EN 60745 -standardin testaamenetelmän mukaisesti, ja sen avulla voidaan vertailla työkaluja keskenään. Ilmoitettua tärinäpäästöarvoa voidaan käyttää myös altistumisen alustavaan arviointiin.

**Varoitus!** Sähkötyökalun käytön aikana mitattu todellinen tärinäpäästöarvo voi poiketa ilmoitetusta tärinäpäästöarvosta työkalun käyttötavan mukaan. Tärinätasoa voi olla ilmoitettua tasoa suurempi.

Kun tärinälle altistumista arvioidaan sen määrittämiseksi, mitä direktiivin 2002/44/EY mukaisia turvatoimenpiteitä vaaditaan sähkötyökaluja säännöllisesti käyttävien henkilöiden suojelemiseksi, tärinälle altistumisen arvioinnissa on otettava huomioon todelliset käyttöolosuhteet ja työkalun käyttötavat. Todellisen käytön lisäksi on kiinnitettävä huomiota myös siihen, milloin työkalu on sammutettuna tai se käy tyhjäkäynnillä.

## Laitteissa olevat merkinnät

Työkalussa on seuraavat varoitusmerkinnät:



**Varoitus!** Käyttäjän on luettava käyttöopas vahinkojen välttämiseksi.



Älä käytä sahaa sateella tai kosteassa.



Käytä aina kypärää, kuulosuojaimia ja suojalaseja.



Varo putoavia esineitä.



Pidä sivulliset loitolla.



Älä käytä työkalua tikapuilla.



Tarkista ketjun kireys 10 minuutin välein.  
Säädä välykseen 3 mm.



Lisää ketjun voiteluöljyä 10 minuutin välein.



**Varoitus!** Älä pidä kättä puruaukon kohdalla.



Ketjun pyörimissuunta.



Jos virtajohto vaurioituu tai katkeaa, irrota se välittömästi sähköverkosta.

## Sähköturvallisuus



Tämä laite on kaksoiseristetty, joten erillistä maadoitusta ei tarvita. Tarkista aina, että virtälähde vastaa arvokilvessä ilmoitettua jännitettä.

- Jos virtajohto vahingoittuu, sen vaihtaminen tulee turvallisuussyistä jättää valmistajan tai valtuutetun Black & Decker -huollon tehtäväksi.

## Jatkojohdon käyttäminen

- Käytä aina oikeanlaista jatkojohtoa, joka sopii tämän laitteen virransyöttöliitäntään (katso kohta Tekniset tiedot). Jatkojohdon on oltava ulkokäyttöön soveltuva ja siinä on oltava vastaava merkintä. Laitteen kanssa voidaan käyttää enintään 30 m pitkää 1,5 mm<sup>2</sup>:n HO5VV-F-jatkojohtoa ilman tehon heikkenemistä. Tarkista jatkojohdon kunto ennen sen käyttämistä. Vahingoittunut tai viallinen kaapeli on vaihdettava. Jos käytät jatkojohtokelaa, kelaa johto aina täysin auki.

## Jäännösriski

Asiaan kuuluvien turvamääräysten noudattamisesta ja turvatoimien toteuttamisesta huolimatta puunkatkaisusahojen käyttöön liittyy tiettyjä jäännösriskejä, joita ei voi välttää. Niitä ovat seuraavat:

- Loukkaantumisaara, jonka aiheuttaa jokin seuraavista: kosketuksiin joutuminen liikkuvien esineiden, terävien esineiden tai kuumien osien kanssa; käyttäjän, sivullisten tai omaisuuden päälle putoavat oksat tai roskat; koneesta lennähtävät roskat.
- Loukkaantumisaara, jonka aiheuttaa jokin seuraavista: käyttö muussa kuin mainitussa käyttötarkoituksessa; putoaminen tikapuulta tai työasennosta puusta; virtajohdon vaurioituminen; työkalun käyttö märissä tai vaarallisissa paikoissa; laitteen käyttäjän nuori ikä tai heikko kunto; laiminlyönnit asianmukaisten henkilökohtaisten suojavarusteiden tai -vaatetuksen käytössä; katkaistavasta puusta tulevan pölyn hengittäminen.

Edellä mainittuja vaaratilanteita koskevat varoitukset on lisätty turvaohjeisiin ja/tai vastaavat merkinnät on lisätty työkaluun.

Tässä käyttöoppaassa mainitut tärinäarvot täyttävät EN60745-normin määräykset. Käyttäjän ei tulisi altistaa voimakkaalle, pitkäaikaiselle tärinälle. Tämän työkalun tärinäpäästöt ovat alle 5 m/s, ja ne täyttävät tärinädirektiivin 2002/44/EY asettamat raja-arvot jatkuvassa käytössä 8-tuntisen työpäivän aikana. Todelliset työskentelyolosuhteet voivat poiketa standardoidun testitilanteen olosuhteista tai mahdollisesti lisätä tärinätasoa.

### Yleiskuvas

1. Yläleuka
2. Alaleuka
3. Terälevy
4. Voiteluöljysäiliön kansi
5. Virtakytkimet
6. Puruaukko

### Ketjun kireyden säätö (kuvat A ja B)

**Varoitus!** Ennen ketjun ja muiden osien säätöä varmista, että koneen virta ei ole kytkettyä ja että sitä ei ole liitetty virtalähteeseen.

**Varoitus!** Terälevy ja -ketju voivat olla käytön jälkeen kuumia. Anna niiden jäähtyä ennen säätämistä. Tuote toimitetaan valmiiksi koottuna. Suosittelemme kuitenkin ennen laitteen käytön aloittamista ketjun (12) kireyden ja ketjun pidäkemuttereiden tiukkuuden tarkastusta ja tarvittaessa niiden säätöä.

### Ketjun kireyden tarkastus ja säätö (kuva A)

- Kiristä ketju (12) hellittämällä ketjunsuojuksen molemmat pidäkemutterit (7) työkaluvaimella (9). Ketjunkiristin työntää terälevyn (3) ulos ja säätää kireyden oikeaksi. Kiristä pidäkemutterit (7) tiukasti kiinni.
- Tarkasta, että kireyssäätö on oikea vetämällä ketjusta (12) kevyesti. Kireys on oikea, kun ketjua voi nostaa terälevyistä (3) irti 3 mm ja vapauttamisen jälkeen ketju napsahtaa takaisin vasten levyä. Ketju ei saa riippua terälevyn alapuolella.

**Huomautus:** Älä kiristä ketjua liian tiukalle, koska tällöin terälevy ja ketju kuluvat loppuun ennenaikaisesti. Lisäksi tuotteen toimintakyky heikentyy.

**Huomautus:** Käyttäessäsi tuotetta ensimmäistä kertaa ja ketjun uusimisen jälkeen tarkasta kireys säännöllisesti, koska uusi ketju venyy hieman.

**Huomautus:** Jos ketjun kireyden säätö ei onnistu, ketju on ehkä vaihdettava. Ota yhteys lähimpään huoltoilikkeeseen.

### Ketjun ja terälevyn uusiminen

Pitkän käytön jälkeen ketju (12) ja/tai terälevy (3) on uusittava. Käytä ainoastaan Black & Deckerin suosittelemia varaosia.

### Teräketjun ja -levyn irrottaminen (kuvat A ja B)

**Varoitus!** Pidä aina suojakäsineitä asentaessasi tai irrottaessasi teräketjua. Teräketju on terävä ja voi aiheuttaa haavan myös liikkumattomana ollessaan.

**Varoitus!** Terälevy ja -ketju voivat olla käytön jälkeen kuumia. Anna niiden jäähtyä ennen käsittelyä.

- Aseta työkalu tukevalle ja tasaiselle pinnalle.
- Irrota molemmat pidäkemutterit (7) kiertämällä niitä vastapäivään työkaluvaimella (9).
- Irrota teräsuojus (8).
- Avaa kahvat ja vedä yläleuka (1) taakse.
- Vedä terälevy (3) taakse ja nosta teräketju (12) irti terälevyn (3) urasta.
- Irrota ketju (12) työkalusta.
- Kallista terälevy (3) ylös ja pulttien yli.

### Terälevyn ja ketjun kokoaminen (kuvat C ja D)

**Varoitus!** Pidä aina suojakäsineitä asentaessasi tai irrottaessasi teräketjua. Teräketju on terävä ja voi aiheuttaa haavan myös liikkumattomana ollessaan.

Kokoa laite vain tukevalla ja tasaisella pinnalla.

- Avaa kahvat ja vedä yläleuka (1) taakse.
- Työnnä terälevy (3) ketjunkiristimen ja ensimmäisen pultin väliseen tilaan ja kallista terälevy (3) alas paikalleen pulttien yli.
- Aseta ketju (12) terälevyn (3) etuosan nokkapyörän ympärille.
- Vedä terälevy (3) ja ketjua (12) taaksepäin, pujota ketju terälevyn uraan ja sitten vetopyörän (11) yli siten, että teräketjun hampaat ovat oikeassa asenossa vetopyörällä.
- Asenna teräsuojus (8) ja pidäkemutterit (7). Kiristä mutterit tiukasti kiinni.

### Käyttö

**Varoitus!** Anna koneen käydä omaan tahtiinsa.

Älä ylikuormita sitä.

- Puhdista laite säännöllisesti huoltoä käsittelevässä jaksossa kuvatulla tavalla. Puhdista etenkin teräsuojuksen sisäpuoli.
- Alaleuan (2) ja yläleuan (1) on sulkeuduttava, kun käyttäjä vapauttaa toisen kahvoista tai kun työn kohteena oleva oksa on katkaistu. Jos näin ei tapahdu, lopeta työkalun käyttö ja irrota pistotulppa pistorasiasta. Tarkista, estävätkö roskat leukojen liikkeet. Tarkistus voi edellyttää teräsuojuksen (8) irrottamista. Jos ongelma ei poistu puhdistuksen ja laitteen kokoamisen jälkeen, toimita laite valtuutettuun huoltoon.

## Öljyn lisääminen (kuva E)

Laitteeseen on lisättävä ketjunvoiteluöljyä (osanumero A6027) ennen ensimmäistä käyttökertaa ja käytön aikana kymmenen minuutin välein.

- ◆ Avaa öljysäiliön kansi (4) ja aseta öljypullon kärki öljyntäyttöaukkoon (10). Lisää öljyä puristamalla pulloa yhden kerran.

Tämä riittää normaalisti noin 10 minuutin käyttöön, mutta käyttöaika voi vaihdella katkaisunopeuden ja puun tyyppin mukaan.

Öljyä kulkeutuu aukon kautta ketjulle ja terälevylle (3). Liika öljy voi valua leukojen alueelle. Tämä on normaalia, eikä siitä tarvitse huolestua.

## Käynnistäminen ja pysäyttäminen

**Varoitus!** Älä koskaan yritä lukita tai kiinnittää kumpaakaan virtakytkintä käyttöasentoon.

Käyttöturvallisuuden lisäämiseksi tämä työkalu on varustettu käynnistysvarmistimella. Järjestelmä estää työkalun tahattoman käynnistämisen.

## Käynnistys (kuva F)

- ◆ Ota tukeva ote kahvoista ja kytkte virta puristamalla kumpaakin virtakytkintä (5).

## Virrankatkaisu (kuva F)

Vapauta jompikumpi virtakytkimistä (5).

**Huomautus:** Laitteen käynnistys ja käyttö edellyttää kummankin virtakytkimen samanaikaista painamista.

Älä ylikuormita laitetta – anna sen tehdä työ. Laite toimii paremmin ja turvallisemmin sille suunnitellulla nopeudella. Liiallinen voimankäyttö venyttää ketjua.

Jos teräketju tai -levy (3) jumittuu:

- ◆ Katkaise työkalun virta.
- ◆ Irrota työkalun virtajohto sähköverkosta.
- ◆ Vapauta terälevy (3) avaamalla sahausura kiiloilla. Älä yritä vapauttaa sahaa vääntämällä. Aloita oksan katkaiseminen uudelleen toisesta kohdasta.

## Oksien karsiminen (kuva G)

Varmista etukäteen, että paikalliset asetukset tai säädökset eivät rajoita puun oksien karsimista.

Ennen varsinaista katkaisuvaihetta anna työkalun toimia täydellä nopeudella.

- ◆ Pidä työkalusta kiinni tukevasti molemmin käsin, jotta se ei pääse ponnahtelemaan tai liikkumaan sivusuunnassa.
- ◆ Ohjaa työkalun liikkeitä kevyesti painaen.

Aloita katkaisu aina oksan yläpuolelta. Näin vältetään teräketjun juuttuminen.

- ◆ Karsi oksat kuvassa G esitetyllä tavalla. Aloita oksan kärjestä ja lyhennä oksaa tasaisin välein.
- ◆ Poista työkalu katkaisukohdasta moottorin käydessä täydellä nopeudella.

## Huolto

Verkkojohdolla varustettu tai verkkojohdoton Black & Deckerin laite/työkalu on suunniteltu toimimaan mahdollisimman kauan mahdollisimman vähällä huollolla. Oikealla huollolla ja säännöllisellä puhdistuksella kone säilyttää suorituskykynsä.

**Varoitus!** Ennen verkkojohdolla varustetun tai verkkojohdoton sähkötyökalun huoltoa toimi seuraavasti.

- ◆ Sammuta laite/työkalu ja irrota se verkkovirrasta.
- ◆ Jos laitteessa/työkalussa on erillinen akku, sammuta laite/työkalu ja irrota sen akku.
- ◆ Jos akku on kiinteä, käytä akku täysin loppuun ja sammuta laite/työkalu sitten.
- ◆ Irrota laturi pistorasiasta ennen laturin puhdistamista. Laturi ei tarvitse säännöllisen puhdistamisen lisäksi mitään muuta huoltoa.

Puhdista laitteen/työkalun/laturin ilma-aukot säännöllisesti pehmeällä harjalla tai kuivalla kangasliinalla.

Puhdista moottorikotelo säännöllisesti kostealla liinalla. Älä koskaan käytä puhdistamiseen liuotainaineita tai syövyttäviä puhdistusaineita.

Avaa istukka säännöllisesti ja naputtele pöly pois sen sisältä (soveltuvin osin).

## Puhdistaminen

- ◆ Irrota teräsuojus säännöllisesti ja poista kaikki sen alle jääneet roskat.
- ◆ Puhdista ilma-aukot puhtaalla, kuivalla maalisivelmällä.
- ◆ Käytä työkalun puhdistukseen vain mietoa saippuuliuosta ja kosteaa kangasta. Älä koskaan päästä nestettä valumaan työkalun sisään. Älä koskaan upota mitään työkalun osaa nesteeseen.

## Voitelu

- ◆ Öljyä kuvan B mukaiset voitelukohteet (10) säännöllisesti.

## Kuljetus

- ◆ Kuljeta työkalu aina sen leuat kiinni.

## Säilytys

- ◆ Kun työkalua ei ole tarkoitus käyttää pitkään aikaan, pyyhi kaikki metalliosat öljytyllä kankaalla.
- ◆ Säilytä työkalu varmassa ja kuivassa paikassa. Säilytyspaikan lämpötilan täytyy aina olla +5 °C – +40 °C. Sijoita työkalu vaakasuojaan ja turvalliseen paikkaan.

## Ympäristönsuojelu



Erillinen keräys. Tätä tuotetta ei saa hävittää normaalin kotitalousjätteen mukana.

Kun Black & Decker -laitteesi aikanaan täytyy vaihtaa tai ei kelpaa enää käyttöön, älä hävitä laitetta kotitalousjätteen mukana. Toimita laite kierrätettäväksi.



Käytettyjen tuotteiden ja pakkausmateriaalien erilliskeruun avulla materiaalit voidaan kierrättää ja käyttää uudelleen. Kierrätysmateriaalien käyttö auttaa vähentämään ympäristön saastumista ja uusien raaka-aineiden tarvetta.

Paikallisissa sääöksissä voidaan määrätä, että kodin sähkötuotteiden keruu tapahtuu kaupunkien jätteidenkäsittelyasemilla tai laitteita myyvässä liikkeessä uuden tuotteen oston yhteydessä.

Kun laiteesi on käytetty loppuun, älä hävitä sitä tavallisten roskien mukana, vaan vie se paikkakuntasi kierrätyskeskukseen tai jätä se valtuutettuun Black & Deckerin huoltoliikkeeseen.

Tiedot valtuutetuista huoltoliikkeistä saa ottamalla yhteyttä Black & Decker Oy:hyn. Valtuutettujen Black & Decker -huoltoliikkeiden yhteystiedot sekä lisätietoja palveluistamme ja takuuehdoista on Internetissä osoitteessa: [www.2helpU.com](http://www.2helpU.com).

### Tekniset tiedot

		GK1000 TYPE 2	GK1050 TYPE 2
Jännite	$V_{AC}$	230	230
Ottoteho	W	550	600
Ketjun nopeus (kuormittamattomana)	m/s	2.3	2.3
Suurin sallittu katkaisupaksuus	mm	100	100
Paino	kg	3	3

Taattu äänenpainetaso, mitattu meludirektiivin EN 60745 mukaisesti:

$L_{pA}$  (äänenpaine) 87 dB(A), epävarmuus (K) 3 dB(A)  
 $L_{WA}$  (akustinen teho) 98 dB(A), epävarmuus (K) 3 dB(A)  
 $L_{WA}$  (taattu) 105 dB(A)  
 käden/käsivarren painotettu tärinä 4.95 m/s<sup>2</sup>  
 epävarmuus (K) 1.5 dB(A)

## EU:n vaatimustenmukaisuusilmoitus

KONEDIREKTIIVI  
 ULKOILMAMELUDIREKTIIVI



### GK1000 GK1050

Black & Decker ilmoittaa, että tuotteet, jotka on kuvattu kohdassa Tekniset tiedot, täyttävät seuraavien direktiivien vaatimukset:

2006/42/EU ja EN 60745-1

2000/14/EY, Ketjusaha, Liite V

Akustisen tehon taso direktiivin 2000/14/EY mukaan mitattuna

$L_{WA}$ (mitattu ääniteho)	dB	98
$L_{WA}$ (taattu ääniteho)	dB	101

Nämä tuotteet täyttävät myös direktiivin 2004/108/EY ja 2011/65/EY vaatimukset

Lisätietoja saa ottamalla yhteyden Black & Deckeriin seuraavissa osoiteissa tai katsomalla tiedot käyttöoppaan takakannesta.

Allekirjoittanut vastaa teknisten tietojen kokoamisesta ja antaa tämän ilmoituksen Black & Deckerin puolesta.

Kevin Hewitt  
 Vice-President Global Engineering  
 Black & Decker Europe, 210 Bath Road, Slough,  
 Berkshire, SL1 3YD  
 Iso-Britannia  
 17/05/2012

## Takuu

Black & Decker takaa, ettei tuotteessa ollut materiaali- ja/tai valmistusvikaa silloin, kun se toimitettiin ostajalle. Takuu on lisäys kuluttajan laillisiin oikeuksiin eikä vaikuta niihin. Takuu on voimassa Euroopan unionin jäsenmaissa ja Euroopan vapaakauppa-alueella (EFTA).

Mikäli Black & Decker -kone hajoaa materiaali- ja/tai valmistusvirheen tai teknisten tietojen epätarkkuuden vuoksi 24 kk:n kuluessa ostopäivästä, Black & Decker korjaa koneen ilman kustannuksia ostajalle tai vaihtaa sen Black & Decker Oy:n valinnan mukaan. Takuu ei kata vikoja, jotka johtuvat seuraavista:

- ◆ Tuotetta on käytetty kaupalliseen, ammattimaiseen tai vuokraustarkoitukseen.
- ◆ Tuote on altistunut väärinkäytölle tai sen huolto on laiminlyöty.
- ◆ Tuote on vahingoittunut vieraiden esineiden, aineiden tai onnettomuuksien vuoksi.
- ◆ Jos korjauksia on yrittänyt jokin muu kuin Black & Deckerin valtuuttama edustaja tai Black & Deckerin henkilökunta.

Edellytyksenä takuun saamiselle on, että ostaja jättää koneen ja ostokuitin jälleenmyyjälle tai valtuutetulle huoltoliikkeelle. Saat valtuutettujen huoltoliikkeiden yhteystiedot ottamalla yhteyden Black & Decker Oy:hyn tässä käyttöoppaassa ilmoitetussa osoitteessa. Valtuutettujen Black & Decker -huoltoliikkeiden yhteystiedot sekä lisätietoja palveluistamme ja takuehdoista on Internetissä osoitteessa: **[www.2helpU.com](http://www.2helpU.com)**.

Voit rekisteröidä uuden Black & Decker -tuotteesi ja tarkastella tietoja uusista tuotteista ja erikoistarjousista verkkosivuillemme **[www.blackanddecker.fi](http://www.blackanddecker.fi)**. Saat lisätietoja Black & Deckerin tavaramerkistä ja tuotevalikoimastamme osoitteesta **[www.blackanddecker.fi](http://www.blackanddecker.fi)**.

## Ενδεξιμένη χρήση

Το κλαδευτήρι Black & Decker Alligator™ έχει σχεδιαστεί για το κλάδεμα των κλαδιών δέντρων, για την κοπή κλαδιών που έχουν πέσει και για την κοπή μικρών κορμών διαμέτρου 25 mm έως 100 mm, ενώ ο χειριστής στέκεται στο έδαφος. Αυτό το εργαλείο προορίζεται μόνο για ερασιτεχνική χρήση.

## Οδηγίες ασφαλείας

**Γενικές προειδοποιήσεις ασφαλείας για τα ηλεκτρικά εργαλεία**



**Προειδοποίηση! Διαβάστε όλες τις υποδείξεις και όλες τις οδηγίες.** Η μη τήρηση όλων των οδηγιών μπορεί να προκαλέσει ηλεκτροπληξία, πυρκαγιά ή/και σοβαρούς τραυματισμούς.

**Φυλάξτε όλες τις προειδοποιήσεις και τις οδηγίες για μελλοντική αναφορά.**

- a. Ο χαρακτηρισμός "ηλεκτρικό εργαλείο" που χρησιμοποιείται σε όλες τις παρακάτω προειδοποιήσεις αφορά είτε το εργαλείο που συνδέεται στην πρίζα (με καλώδιο) είτε το εργαλείο που λειτουργεί με μπαταρία (χωρίς καλώδιο).
1. **Ασφάλεια χώρου εργασίας**
    - a. **Διατηρείτε το χώρο εργασίας καθαρό και καλά φωτισμένο.** Η αταξία στο χώρο εργασίας και τα σημεία χωρίς καλό φωτισμό μπορεί να οδηγήσουν σε ατυχήματα.
    - b. **Μη χρησιμοποιείτε ηλεκτρικά εργαλεία σε περιβάλλον όπου υπάρχει κίνδυνος έκρηξης, π.χ. παρουσία εύφλεκτων υγρών, αερίων ή σκόνης.** Τα ηλεκτρικά εργαλεία μπορεί να δημιουργήσουν σπινθηρισμό ο οποίος μπορεί να αναφλέξει τη σκόνη ή τις αναθυμιάσεις.
    - c. **Όταν χρησιμοποιείτε το ηλεκτρικό εργαλείο, κρατάτε τα παιδιά και τα υπόλοιπα άτομα μακριά από το χώρο που εργάζεστε.** Σε περίπτωση που άλλα άτομα αποσπάσουν την προσοχή σας μπορεί να χάσετε τον έλεγχο του εργαλείου.
  2. **Ασφαλής χρήση ηλεκτρικού ρεύματος**
    - a. **Το φως του καλωδίου του ηλεκτρικού εργαλείου πρέπει να ταιριάζει στην αντίστοιχη πρίζα. Δεν επιτρέπεται με κανέναν τρόπο η μετασκευή του φως. Μη χρησιμοποιείτε προσαρμοστικά φως με γειωμένα ηλεκτρικά εργαλεία.** Τα φως που δεν έχουν υποστεί τροποποιήσεις και οι κατάλληλες πρίζες μειώνουν τον κίνδυνο ηλεκτροπληξίας.
    - b. **Αποφύγετε την επαφή του σώματός σας με γειωμένες επιφάνειες όπως σωλήνες, θερμαντικά σώματα (καλοριφέρ), κουζίνες και ψυγεία.** Όταν το σώμα σας είναι γειωμένο, αυξάνεται ο κίνδυνος ηλεκτροπληξίας.
  - c. **Μην εκθέτετε τα ηλεκτρικά εργαλεία στη βροχή ή την υγρασία.** Η εισχώρηση νερού στο ηλεκτρικό εργαλείο αυξάνει τον κίνδυνο ηλεκτροπληξίας.
  - d. **Μην κακομεταχειρίζεστε το καλώδιο. Μη χρησιμοποιείτε ποτέ το καλώδιο για να μεταφέρετε το εργαλείο, να το τραβήξετε ή να το αποσυνδέσετε από την πρίζα. Προφυλάσσετε το καλώδιο από θερμότητα, λάδια, αιχμηρά άκρα ή κινούμενα εξαρτήματα.** Τυχόν χαλασμένα ή μπερδεμένα καλώδια αυξάνουν τον κίνδυνο ηλεκτροπληξίας.
  - e. **Όταν χρησιμοποιείτε το ηλεκτρικό εργαλείο σε εξωτερικούς χώρους, να χρησιμοποιείτε πάντοτε καλώδια προέκτασης κατάλληλα για χρήση σε εξωτερικούς χώρους.** Η χρήση προεκτάσεων κατάλληλων για εργασία σε εξωτερικούς χώρους μειώνει τον κίνδυνο ηλεκτροπληξίας.
  - f. **Εάν η χρήση ενός ηλεκτρικού εργαλείου σε μία υγρή τοποθεσία είναι αναπόφευκτη, χρησιμοποιήστε μια Διάταξη Προστασίας Ρεύματος Διαρροής (RCD). Η χρήση διάταξης RCD μειώνει τον κίνδυνο ηλεκτροπληξίας.**
3. **Ασφάλεια προσώπων**
    - a. **Όταν χρησιμοποιείτε το ηλεκτρικό εργαλείο, να είστε προσεκτικοί, να δίνετε προσοχή στην εργασία που κάνετε και να επιστρατεύετε την κοινή λογική. Μη χρησιμοποιείτε το ηλεκτρικό εργαλείο όταν είστε κουρασμένοι ή όταν βρίσκεστε υπό την επήρεια ναρκωτικών, οινοπνεύματος ή φαρμάκων.** Μια στιγμή αμέλειας κατά το χειρισμό του ηλεκτρικού εργαλείου μπορεί να οδηγήσει σε σοβαρούς τραυματισμούς.
    - b. **Να χρησιμοποιείτε εξοπλισμό προσωπικής προστασίας. Να φοράτε πάντα προστατευτικά γυαλιά.** Ο κίνδυνος τραυματισμών μειώνεται όταν χρησιμοποιείτε εξοπλισμό προστασίας, όπως μασκά προστασίας από σκόνη, αντιολισθητικά παπούτσια ασφαλείας, κράνη ή ιασιπίδες, ανάλογα με τις συνθήκες εργασίας.
    - c. **Αποφεύγετε την ακούσια ενεργοποίηση. Βεβαιωθείτε ότι ο διακόπτης λειτουργίας βρίσκεται στη θέση "OFF" πριν συνδέσετε το εργαλείο στην πρίζα ή/και τοποθετήσετε την μπαταρία, πριν το σηκώσετε ή το μεταφέρετε.** Η μεταφορά ηλεκτρικών εργαλείων με το δάχτυλό σας επάνω στο διακόπτη ή η σύνδεση στην πρίζα ηλεκτρικών εργαλείων με το διακόπτη στη θέση ενεργοποίησης, ενέχει κινδύνους πρόκλησης ατυχημάτων.
    - d. **Πριν θέσετε το ηλεκτρικό εργαλείο σε λειτουργία, αφαιρέστε τυχόν εργαλεία ή κλειδιά ρύθμισης.** Εάν αφήσετε ένα εργαλείο ή κλειδί πάνω σε κάποιο περιστρεφόμενο εξάρτημα του ηλεκτρικού εργαλείου, μπορεί να προκληθούν τραυματισμοί.

- e. Μην τεντώνεστε. Φροντίστε πάντοτε να έχετε την κατάλληλη στάση και να διατηρείτε την ισορροπία σας. Αυτό σας επιτρέπει τον καλύτερο έλεγχο του ηλεκτρικού εργαλείου σε περιπτώσεις απροσδόκητων καταστάσεων.
- f. Φοράτε κατάλληλη ενδυμασία εργασίας. Μη φοράτε φαρδιά ρούχα ή κοσμήματα. Κρατάτε τα μαλλιά, τα ενδύματα και τα γάντια σας μακριά από τα κινούμενα εξαρτήματα. Τα φαρδιά ρούχα, τα κοσμήματα και τα μακριά μαλλιά μπορεί να εμπλακούν στα κινούμενα εξαρτήματα.
- g. Αν προβλέπονται διατάξεις απαγωγής και συλλογής της σκόνης, βεβαιωθείτε ότι είναι συνδεδεμένες και ότι χρησιμοποιούνται σωστά. Η χρήση τέτοιων διατάξεων μειώνει τους κινδύνους που προέρχονται από τη σκόνη.
4. Χρήση και συντήρηση του ηλεκτρικού εργαλείου
- a. Μην υπερφορτώνετε το ηλεκτρικό εργαλείο. Χρησιμοποιείτε για την εκάστοτε εργασία σας το ηλεκτρικό εργαλείο που προορίζεται γι' αυτήν. Με το κατάλληλο ηλεκτρικό εργαλείο, εργάζεστε καλύτερα και ασφαλέστερα στην ονομαστική περιοχή ισχύος του.
- b. Μη χρησιμοποιήσετε ποτέ ένα ηλεκτρικό εργαλείο του οποίου ο διακόπτης λειτουργίας είναι χαλασμένος. Ένα ηλεκτρικό εργαλείο του οποίου η λειτουργία δεν μπορεί να ελεγχθεί με το διακόπτη είναι επικίνδυνο και πρέπει να επισκευαστεί.
- c. Βγάλτε το φως από την πρίζα ή/και την μπαταρία από το ηλεκτρικό εργαλείο, πριν διεξάγετε κάποια εργασία ρύθμισης, πριν αλλάξετε κάποιο εξάρτημα ή όταν πρόκειται να αποθηκεύσετε τα ηλεκτρικά εργαλεία. Αυτά τα προληπτικά μέτρα ασφαλείας μειώνουν τον κίνδυνο να θεθεί το εργαλείο ακούσια σε λειτουργία.
- d. Να φυλάτε τα ηλεκτρικά εργαλεία που δε χρησιμοποιείτε μακριά από παιδιά. Μη αφήνετε άτομα που δεν είναι εξοικειωμένα με το ηλεκτρικό εργαλείο ή που δεν έχουν διαβάσει αυτές τις οδηγίες χρήσης να το χρησιμοποιήσουν. Τα ηλεκτρικά εργαλεία είναι επικίνδυνα όταν χρησιμοποιούνται από άπειρα άτομα.
- e. Να συντηρείτε τα ηλεκτρικά εργαλεία. Ελέγξτε εάν τα κινούμενα εξαρτήματα είναι σωστά ευθυγραμμισμένα ή αν έχουν μπλοκάρει, εάν έχουν σπάσει κομμάτια και εάν πληρούνται όλες οι υπόλοιπες προϋποθέσεις που ενδεχομένως να επηρεάσουν τη σωστή λειτουργία του εργαλείου. Δώστε τυχόν χαλασμένα εξαρτήματα του ηλεκτρικού εργαλείου για επισκευή πριν το χρησιμοποιήσετε πάλι. Η ανεπαρκής συντήρηση των ηλεκτρικών εργαλείων αποτελεί αιτία πολλών ατυχημάτων.

- f. Διατηρείτε τα κοπτικά εργαλεία κοφτερά και καθαρά. Τα κοπτικά εργαλεία με αιχμηρά κοπτικά άκρα που συντηρούνται σωστά έχουν λιγότερες πιθανότητες να μπλοκάρουν και ελέγχονται ευκολότερα.
- g. Να χρησιμοποιείτε τα ηλεκτρικά εργαλεία, τα εξαρτήματα και τα άκρα των εργαλείων κλπ. σύμφωνα με τις παρούσες οδηγίες, λαμβάνοντας υπόψη σας τις συνθήκες εργασίας και την εργασία που θέλετε να εκτελέσετε. Η χρήση του ηλεκτρικού εργαλείου για εργασίες πέρα από τις προβλεπόμενες μπορεί να οδηγήσει σε επικίνδυνες καταστάσεις.
5. Σέρβις
- a. Το σέρβις του ηλεκτρικού σας εργαλείου πρέπει να αναλαμβάνει έμπειρος τεχνικός που θα χρησιμοποιεί μόνο γνήσια ανταλλακτικά. Έτσι, εξασφαλίζεται η διατήρηση της ασφάλειας του ηλεκτρικού εργαλείου.

### Συμπληρωματικές οδηγίες ασφαλείας για το κλαδευτήρι Alligator™

**Προειδοποίηση!** Μη χρησιμοποιείτε ποτέ το εργαλείο κρατώντας το πάνω από το ύψος του ώμου. Να στέκεστε πάντα μακριά από την κατεύθυνση πτώσης των κλαδιών και άλλων κομματιών.

**Προειδοποίηση!** Μη χρησιμοποιείτε αυτό το εργαλείο για την κοπή δέντρων.

- ♦ Να κρατάτε πάντοτε τα μέλη του σώματός σας και τα ενδύματά σας μακριά από την αλυσίδα του πριονιού. Να κρατάτε το εργαλείο μπροστά σας και να προσέχετε τη θέση της αλυσίδας του πριονιού, ιδιαίτερα κατά την κοπή κλαδιών που βρίσκονται κοντά στο έδαφος. Πριν θέσετε σε λειτουργία το εργαλείο, φροντίστε η αλυσίδα του πριονιού να μη βρίσκεται σε επαφή με οποιοδήποτε αντικείμενο.
- ♦ Σχεδιάστε εκ των προτέρων μια ασφαλή διαδρομή απομάκρυνσης από κλαδιά και άλλα κομμάτια που θα πέσουν. Βεβαιωθείτε ότι στη διαδρομή απομάκρυνσης δε θα υπάρχουν εμπόδια που θα καθιστούσαν αδύνατη ή θα δυσκόλευαν την κίνηση. Έχετε υπόψη ότι το υγρό γρασίδι και ο φλοιός δέντρου που έχει κοπεί πρόσφατα είναι ολισθηρά.
- ♦ Καθορίστε την κατεύθυνση προς την οποία μπορεί να πέσει ένα κλαδί. Λάβετε υπόψη όλους τους παράγοντες που ενδέχεται να επηρεάσουν την κατεύθυνση της πτώσης, συμπεριλαμβανομένων:
  - Της επιθυμητής κατεύθυνσης της πτώσης.
  - Της φυσικής κλίσης του κλαδιού.
  - Οποιοδήποτε δομικό χαρακτηριστικό του κλαδιού με μεγάλο βάρος ή τυχόν σημείου σήψης.

- Των γύρω δέντρων και εμποδίων, συμπεριλαμβανομένων των αναρτημένων συρμάτων, σχοινίων, καλωδίων κ.λ.π. που υπάρχουν στο χώρο.
  - Της ταχύτητας και της διεύθυνσης του ανέμου.
  - ◆ Η ασφαλής απόσταση ενός κλαδιού και κομματιών που πρόκειται να πέσουν, από άτομα, κτίρια ή άλλα αντικείμενα ισούται τουλάχιστον με 2 1/2 φορές το μήκος του κλαδιού. Οποιοδήποτε άτομο, κτίριο ή αντικείμενο που βρίσκεται σε μικρότερη απόσταση κινδυνεύει να πληγεί από το κλαδί που θα πέσει.
  - ◆ Κατά την κοπή ενός κλαδιού που έχει καμφθεί, προσέξτε το ενδεχόμενο επαναφοράς του. Όταν πάψει να ασκείται πίεση στις ίνες του ξύλου, το κλαδί που βρισκόταν σε κάμψη ενδέχεται να χτυπήσει το χειριστή ή/και το εργαλείο, με αποτέλεσμα την απώλεια του ελέγχου του.
  - ◆ Να φοράτε πάντα τον κατάλληλο προστατευτικό εξοπλισμό, όπως αντιολισθητικά παπούτσια ασφαλείας, κράνος, προστατευτικά γυαλιά, ωτασπίδες και γάντια, κατά το χειρισμό του εργαλείου.
  - ◆ Φροντίστε να υπάρχει κάποιος σε κοντινή απόσταση (σε απόσταση ασφαλείας) για την περίπτωση ατυχήματος.
  - ◆ Μην επιχειρήσετε να χρησιμοποιήσετε το εργαλείο όταν στέκεστε πάνω σε δέντρο, σε σκάλα ή σε οποιαδήποτε άλλη ασταθή επιφάνεια.
  - ◆ Φροντίστε πάντοτε να έχετε την κατάλληλη στάση και να διατηρείτε την ισορροπία σας.
  - ◆ Κρατάτε σταθερά το εργαλείο και με τα δύο χέρια, όταν το μοτέρ βρίσκεται σε λειτουργία.
  - ◆ Φροντίστε οι λαβές να είναι στεγνές, καθαρές και χωρίς λάδια ή γράσα. Οι λερωμένες με γράσο ή λάδι λαβές γλιστρούν, με αποτέλεσμα την απώλεια του ελέγχου.
  - ◆ Μην επιτρέψετε να έλθει σε επαφή η κινούμενη αλυσίδα με οποιοδήποτε αντικείμενο στο άκρο της μπάρας οδηγού της αλυσίδας.
  - ◆ Διατηρείτε τη σωστή τάση της αλυσίδας του πριονιού. Ελέγχετε την τάση σε τακτά διαστήματα, ενώ το μοτέρ δε λειτουργεί και το καλώδιο είναι αποσυνδεδεμένο.
  - ◆ Ξεκινήστε και συνεχίστε την κοπή κάποιου αντικειμένου μόνο εφόσον η αλυσίδα κινείται με τη μέγιστη ταχύτητα.
  - ◆ Προσέχετε για τυχόν κλαδιά που μετακινούνται ή για άλλες δυνάμεις που θα μπορούσαν να κλείσουν μια τομή και να μαγκώσουν την αλυσίδα ή να πέσουν σε αυτήν.
  - ◆ Να είστε ιδιαίτερα προσεκτικοί όταν τοποθετείτε ξανά το εργαλείο σε μια προηγούμενη τομή. Φέρτε σε επαφή με το ξύλο τις προεξοχές της κάτω σιαγόνας και περιμένετε μέχρι η αλυσίδα να αναπτύξει τη μέγιστη ταχύτητά της πριν πραγματοποιήσετε την κοπή.
  - ◆ Η χρήση αυτού του εργαλείου για εργασίες πέρα από τις προβλεπόμενες ενδέχεται να οδηγήσει σε επικίνδυνες καταστάσεις. Το εργαλείο προορίζεται αποκλειστικά για την κοπή ξύλου. Μην το χρησιμοποιείτε για εργασίες για τις οποίες δεν προορίζεται - για παράδειγμα - μη χρησιμοποιείτε το εργαλείο για την κοπή πλαστικού, υλικών τοιχοποιίας ή οικοδομικών υλικών που δεν αποτελούνται από ξύλο.
  - ◆ Εάν πιασούν ξένα σώματα στο προστατευτικό κάλυμμα ή στο εργαλείο, διακόψτε τη λειτουργία, αποσυνδέστε το καλώδιο τροφοδοσίας και αφαιρέστε τα ξένα σώματα.
  - ◆ Αλυσίδες και μπάρες οδηγού της αλυσίδας που έχουν φθαρεί πρέπει να αντικαθίστανται.
  - ◆ Χρησιμοποιείτε αποκλειστικά τις ανταλλακτικές μπάρες και αλυσίδες που καθορίζονται από τον κατασκευαστή.
- Ασφάλεια τρίτων**
- ◆ Αυτό το εργαλείο δεν προορίζεται για χρήση από άτομα (στα οποία περιλαμβάνονται και τα παιδιά) με μειωμένες φυσικές, αντιληπτικές ή διανοητικές ικανότητες ή άτομα χωρίς εμπειρία και γνώσεις, παρά μόνο εφόσον επιτηρούνται ή τους έχουν δοθεί οδηγίες σχετικά με τη χρήση του εργαλείου από άτομο υπεύθυνο για την ασφάλειά τους.
  - ◆ Τα παιδιά πρέπει να επιτηρούνται για να διασφαλίζεται ότι δεν παίζουν με το εργαλείο.
- Δόνηση**
- Η δηλωμένη τιμή εκπομπής δόνησης που αναφέρεται στα τεχνικά χαρακτηριστικά και τη δήλωση συμμόρφωσης έχει μετρηθεί σύμφωνα με μια τυποποιημένη μέθοδο δοκιμής που παρέχεται από το πρότυπο EN60745 και μπορεί να χρησιμοποιηθεί για τη σύγκριση ενός εργαλείου με ένα άλλο. Η δηλωμένη τιμή εκπομπής δόνησης μπορεί επίσης να χρησιμοποιηθεί σε έναν προκαταρκτικό προσδιορισμό της έκθεσης.
- Προειδοποίηση!** Η τιμή εκπομπής δόνησης κατά την πραγματική χρήση του ηλεκτρικού εργαλείου μπορεί να διαφέρει από τη δηλωμένη τιμή, ανάλογα με το τρόπο που χρησιμοποιείται το εργαλείο. Η στάθμη δόνησης μπορεί να αυξηθεί πάνω από τη στάθμη που έχει δηλωθεί.

Κατά τον προσδιορισμό της έκθεσης σε δόνηση για τον καθορισμό των απαιτούμενων μέτρων ασφαλείας σύμφωνα με την οδηγία 2002/44/EK για την προστασία προσώπων που χρησιμοποιούν συχνά ηλεκτρικά εργαλεία στην εργασία τους, μια προσεγγιστική εκτίμηση της έκθεσης σε δόνηση πρέπει να λαμβάνει υπόψη τις πραγματικές συνθήκες χρήσης και τον τρόπο χρήσης του εργαλείου, συμπεριλαμβανομένων και όλων των επιμέρους τμημάτων του κύκλου εργασίας, όπως, πότες φορές τέθηκε το εργαλείο εκτός λειτουργίας και τότε είναι σε λειτουργία χωρίς φορτίο επιπρόσθετα στο χρόνο πίεσης της σκανδάλης.

### Ετικέτες στο εργαλείο

Το εργαλείο φέρει τα παρακάτω προειδοποιητικά σύμβολα:



**Προειδοποίηση!** Για να μειωθεί ο κίνδυνος τραυματισμού, ο χρήστης πρέπει να διαβάσει το εγχειρίδιο οδηγιών.



Μη χρησιμοποιείτε το πριόνι σε υγρές συνθήκες και μην το εκθέτετε στη βροχή.



Φοράτε πάντοτε προστατευτικό εξοπλισμό για το κεφάλι, την ακοή και τα μάτια.



Προσέχετε για τυχόν αντικείμενα που πέφτουν. Μην επιτρέπετε να πλησιάσουν άλλα άτομα.



Μη χρησιμοποιείτε το εργαλείο ενώ στέκεστε σε σκάλα.



Ελέγχετε την τάνυση της αλυσίδας μετά από κάθε 10 λεπτά χρήσης. Ρυθμίζετε τη ξανά σε διάκενο 3 mm.



Λαδώνετε την αλυσίδα μετά από κάθε 10 λεπτά χρήσης.



**Προειδοποίηση!** Μην αγγίζετε την αλυσίδα στο σημείο εξαγωγής των απορριμμάτων κοπής.



Κατεύθυνση κίνησης της αλυσίδας.



Αποσυνδέστε αμέσως το καλώδιο από την πρίζα εάν έχει φθαρεί ή κοπεί.

### Ασφαλής χρήση ηλεκτρικού ρεύματος



Αυτό το εργαλείο διαθέτει διπλή μόνωση, επομένως δεν απαιτείται καλώδιο γείωσης. Ελέγχετε πάντοτε αν η τάση τροφοδοσίας αντιστοιχεί σε αυτήν που αναγράφεται στην πινακίδα στοιχείων.

- Αν το καλώδιο ρεύματος έχει υποστεί φθορά, η αντικατάστασή του πρέπει να γίνει από τον κατασκευαστή ή από ένα εξουσιοδοτημένο κέντρο της Black & Decker, ώστε να μην αποτελέσει κίνδυνο.

### Χρήση καλωδίου προέκτασης

- Χρησιμοποιείτε πάντα εγκεκριμένα καλώδια προέκτασης, κατάλληλα για την ισχύ εισόδου αυτού του εργαλείου (δείτε τεχνικά χαρακτηριστικά). Το καλώδιο προέκτασης πρέπει να είναι κατάλληλο για χρήση σε εξωτερικούς χώρους και να φέρει την αντίστοιχη σήμανση. Μπορείτε να χρησιμοποιήσετε ένα καλώδιο προέκτασης 1,5 mm<sup>2</sup> H05VV-F μήκους έως 30 m, χωρίς απώλειες απόδοσης της μηχανής. Πριν από τη χρήση, ελέγξτε προσεκτικά το καλώδιο προέκτασης για σημάδια ζημιάς, φθοράς ή παλαιώσης. Αντικαταστήστε το καλώδιο προέκτασης, αν παρουσιάζει ζημιά ή ελάττωμα. Όταν χρησιμοποιείτε καρούλι καλωδίου, πάντα να ξετυλίγεται το καλώδιο εντελώς.

### Αναπόφευκτος κίνδυνος

Παρά την τήρηση των σχετικών κανονισμών ασφαλείας και τη λήψη των αναγκαίων μέτρων προστασίας, ορισμένοι κίνδυνοι που σχετίζονται με τη χρήση πριονιών κοπής ξύλου δεν είναι δυνατό να εξαλειφθούν. Αυτοί οι κίνδυνοι είναι οι εξής:

- Κίνδυνος τραυματισμού λόγω επαφής με κινούμενα μέρη, αιχμηρά μέρη ή μέρη όπου αναπτύσσονται υψηλές θερμοκρασίες ή λόγω πτώσης κλαδιών ή άλλων κομματιών πάνω στο χειριστή, σε άλλα παρευρισκόμενα άτομα ή σε περιουσιακά στοιχεία και λόγω σωματίων που εκτοξεύονται από το εργαλείο.
- Κίνδυνος τραυματισμού λόγω μη ενδεδειγμένης χρήσης του εργαλείου, λόγω πτώσης από σκάλα ή από θέση εργασίας πάνω σε δέντρο, λόγω πρόκλησης φθοράς στο καλώδιο τροφοδοσίας, λόγω χρήσης του εργαλείου σε υγρές ή επικίνδυνες θέσεις, λόγω χρήσης του εργαλείου από μικρά παιδιά ή αδύναμα άτομα, λόγω μη χρήσης του κατάλληλου εξοπλισμού ατομικής προστασίας ή κατάλληλων ενδυμάτων ή λόγω της εισπνοής σκόνης που δημιουργείται κατά την κοπή του ξύλου.

Οι παραπάνω κίνδυνοι έχουν αντιμετωπιστεί με τη συμπερίληψη προειδοποιήσεων στις οδηγίες χρήσης ή/και την τοποθέτηση επισημάνσεων στο εργαλείο.

Η τιμή δόνησης που αναφέρεται στο παρόν εγχειρίδιο είναι σύμφωνη με την τυποποιημένη δοκιμή του προτύπου EN60745. Ο χειριστής δεν πρέπει να εκτίθεται σε υψηλά επίπεδα δόνησης για παρατεταμένα χρονικά διαστήματα. Οι εκπομπές δόνησης αυτού του εργαλείου είναι χαμηλότερες από 5m/s και βρίσκονται εντός των ορίων που ορίζονται από το πρότυπο 2002/44/EK για συνεχή λειτουργία σε εργάσιμη ημέρα 8 ωρών. Οι πραγματικές συνθηκές λειτουργίας ενδέχεται να διαφοροποιούν ή πιθανώς να αυξάνουν το επίπεδο δόνησης σε σχέση με τις τιμές που καταγράφονται σε μια τυποποιημένη δοκιμή.

### Χαρακτηριστικά

1. Άνω σιαγόνα
2. Κάτω σιαγόνα
3. Μπάρα οδηγού της αλυσίδας
4. Κάλυμμα λίπανσης
5. Διακόπτες λειτουργίας on/off
6. Σημείο εξαγωγής απορριμμάτων κοπής

### Ρύθμιση τάνυσης αλυσίδας (εικ. Α και Β)

**Προειδοποίηση!** Πριν από την τάνυση της αλυσίδας ή άλλη ρύθμιση, βεβαιωθείτε ότι το εργαλείο είναι απενεργοποιημένο και ότι το φως δεν είναι συνδεδεμένο στην πρίζα.

**Προειδοποίηση!** Η θερμοκρασία της μπάρας οδηγού και της αλυσίδας ενδέχεται να είναι υψηλή μετά τη χρήση. Περιμένετε μέχρι να μειωθεί η θερμοκρασία τους πριν από τη ρύθμισή τους.

Το προϊόν έρχεται έτοιμο συναρμολογημένο. Ωστόσο, συνιστούμε να ελέγξετε την τάνυση της αλυσίδας (12) και τα παξιμάδια συγκράτησης της αλυσίδας πριν από τη χρήση του εργαλείου και εάν απαιτείται, να ρυθμίσετε κατάλληλα την αλυσίδα.

### Έλεγχος και ρύθμιση της τάνυσης της αλυσίδας (εικ. Α)

- ♦ Για την τάνυση της αλυσίδας (12), ξεσφίξτε τα δύο παξιμάδια συγκράτησης του καλύμματος της αλυσίδας (7) με το μηχανικό κλειδί (9) και η διάταξη τάνυσης της αλυσίδας θα ωθήσει προς τα έξω την μπάρα οδηγού της αλυσίδας (3) ρυθμίζοντας τη σωστή τάνυση. Σφίξτε καλά τα δύο παξιμάδια συγκράτησης (7).
- ♦ Ελέγξτε ότι έχει ρυθμιστεί σωστά η τάνυση τραβώντας ελαφρά την αλυσίδα (12). Η τάνυση έχει ρυθμιστεί σωστά όταν η αλυσίδα επανέρχεται αμέσως στη θέση της, αφού τραβηχτεί σε απόσταση 3 mm από την μπάρα οδηγού (3). Δεν πρέπει να υπάρχει «κρέμασμα» μεταξύ της μπάρας οδηγού και της αλυσίδας στην κάτω πλευρά.

**Σημείωση:** Μην τεντώσετε υπερβολικά την αλυσίδα, καθώς αυτό θα προκαλέσει υπερβολική φθορά και θα μειώσει τη διάρκεια ζωής της μπάρας οδηγού της αλυσίδας και της αλυσίδας. Επίσης, θα μειώσει την απόδοση του προϊόντος.

**Σημείωση:** Κατά την πρώτη χρήση και όταν η αλυσίδα είναι καινούρια, ελέγχετε συχνά την τάνυση, καθώς μια νέα αλυσίδα επιμηκύνεται ελαφρά.

**Σημείωση:** Εάν η αλυσίδα δεν μπορεί να τεντωθεί σωστά, τότε ίσως χρειαστεί να την αντικαταστήσετε. Επικοινωνήστε με το κοντινότερο κέντρο επισκευών.

### Αντικατάσταση της αλυσίδας και της μπάρας οδηγού της αλυσίδας

Μετά από παρατεταμένη χρήση, μπορεί να χρειάζεται η αντικατάσταση της αλυσίδας (12) ή/και της μπάρας οδηγού της αλυσίδας (3). Βεβαιωθείτε ότι σε αυτή την περίπτωση θα χρησιμοποιηθούν αποκλειστικά τα ανταλλακτικά που συνιστά η Black & Decker.

### Αφαίρεση της αλυσίδας πριονιού & της μπάρας οδηγού της αλυσίδας (εικ. Α & Β)

**Προειδοποίηση!** Φοράτε πάντοτε προστατευτικά γάντια κατά την τοποθέτηση ή την αφαίρεση της αλυσίδας του πριονιού. Η αλυσίδα πριονιού είναι κοφτερή και μπορεί να σας τραυματίσει χωρίς να βρίσκεται σε λειτουργία.

**Προειδοποίηση!** Η θερμοκρασία της μπάρας οδηγού και της αλυσίδας ενδέχεται να είναι υψηλή μετά τη χρήση. Περιμένετε μέχρι να μειωθεί η θερμοκρασία τους πριν από την αντικατάστασή τους.

- ♦ Τοποθετήστε το εργαλείο σε μια σταθερή επιφάνεια.
- ♦ Περιστρέψτε τα δύο παξιμάδια συγκράτησης (7) προς τα αριστερά με το μηχανικό κλειδί (9) που παρέχεται και αφαιρέστε τα.
- ♦ Αφαιρέστε το κάλυμμα πρόσβασης της αλυσίδας (8).
- ♦ Ανοίξτε τις λαβές και τραβήξτε προς τα πίσω την άνω σιαγόνα (1).
- ♦ Τραβήξτε προς τα πίσω την μπάρα οδηγού της αλυσίδας (3) και στη συνέχεια, ανασηκώστε την αλυσίδα πριονιού (12) έξω από την εσοχή της μπάρας οδηγού της αλυσίδας (3).
- ♦ Αφαιρέστε την αλυσίδα (12) από τη μονάδα.
- ♦ Σηκώστε την μπάρα οδηγού αλυσίδας (3) υπό γωνία προς τα πάνω και πάνω από τα μπουλόνια.

### Συναρμολόγηση της μπάρας οδηγού της αλυσίδας και της αλυσίδας (εικ. C & D)

**Προειδοποίηση!** Φοράτε πάντοτε προστατευτικά γάντια κατά την τοποθέτηση ή την αφαίρεση της αλυσίδας του πριονιού. Η αλυσίδα πριονιού είναι κοφτερή και μπορεί να σας τραυματίσει χωρίς να βρίσκεται σε λειτουργία.

Βεβαιωθείτε ότι η διαδικασία πραγματοποιείται σε σταθερή επιφάνεια.

- ◆ Ανοίξτε τις λαβές και τραβήξτε προς τα πίσω την άνω σιαγόνα (1).
- ◆ Εισαγάγετε την μπάρα οδηγού της αλυσίδας (3) στο χώρο μεταξύ του εντατήρα της αλυσίδας και του πρώτου μπουλονιού, χαμηλώστε υπό γωνία την μπάρα οδηγού της αλυσίδας (3) πάνω από τα μπουλόνια.
- ◆ Τοποθετήστε την αλυσίδα (12) γύρω από το μπροστινό άκρο της μπάρας οδηγού της αλυσίδας (3) και προσαρμόστε τη στον μπροστινό οδοντωτό τροχό της μπάρας οδηγού της αλυσίδας (3).
- ◆ Τραβήξτε την μπάρα οδηγού της αλυσίδας (3) και την αλυσίδα (12) προς τα πίσω, προσαρμόζοντας την αλυσίδα στην εσοχή της ράβδου οδηγού της αλυσίδας και στη συνέχεια, πάνω από τις οδοντώσεις τοποθέτησης του οδοντωτού τροχού (11) στη σωστή θέση πάνω στον τροχό.
- ◆ Τοποθετήστε ξανά το κάλυμμα πρόσβασης της αλυσίδας (8) και τα παξιμάδια συγκράτησης (7), σφίγγοντάς τα καλά.

## Χρήση

**Προειδοποίηση!** Αφήστε το εργαλείο να λειτουργήσει με το δικό του ρυθμό. Μην το υπερφορτώνετε.

- ◆ Καθαρίζετε σε τακτική βάση τη μονάδα, όπως περιγράφεται στην ενότητα για τη συντήρηση και ιδιαίτερα, καθαρίζοντας το εσωτερικό του καλύμματος πρόσβασης στην αλυσίδα.
- ◆ Η κάτω σιαγόνα (2) και η άνω σιαγόνα (1) έχουν σχεδιαστεί έτσι, ώστε να κλείνουν όταν μία από τις λαβές απελευθερώνεται ή όταν ολοκληρώνεται η κοπή ενός κλαδιού. Εάν δε συμβαίνει αυτό, διακόπτε τη λειτουργία του εργαλείου και βγάλτε το φως από την πριζα. Ελέγξτε εάν υπάρχουν ξένα σώματα που εμποδίζουν την κίνηση. Για τη διευκόλυνση αυτής της διαδικασίας, ενδέχεται να είναι απαραίτητο να αφαιρέσετε το κάλυμμα πρόσβασης στην αλυσίδα (8). Εάν μετά τη συναρμολόγηση το πρόβλημα εξακολουθεί να παρουσιάζεται, επιστρέψτε τη μονάδα σε εξουσιοδοτημένο κέντρο επισκευών.

## Λίπανση (εικ. Ε)

Πριν από την πρώτη χρήση και μετά από κάθε δέκα λεπτά χρήσης, πρέπει να λαδώνετε το προϊόν με το κατάλληλο λάδι αλυσίδας (Αρ. Κατ. Α6027).

- ◆ Ανοίξτε το κάλυμμα λίπανσης (4) και εισαγάγετε τη φιάλη λαδιού στην οπή πλήρωσης λαδιού (10), ασκήστε πίεση μία φορά στη φιάλη για να χορηγηθεί λάδι.

Αυτή η ποσότητα πρέπει να αρκεί για κοπή διάρκειας περίπου 10 λεπτών, ανάλογα με την ταχύτητα κοπής και τον τύπο του ξύλου.

Από την οπή, το λάδι διοχετεύεται στην αλυσίδα πριονιού, στη ράβδο οδηγού της αλυσίδας (3) και σε περίπτωση χορήγησης στη μονάδα πλεονάζουσας ποσότητας λαδιού, ενδέχεται να στάξει λάδι από τη μονάδα, γύρω από την περιοχή των σιαγόνων. Αυτό είναι φυσιολογικό και δεν αποτελεί αιτία ανησυχίας.

**Ενεργοποίηση και απενεργοποίηση του εργαλείου Προειδοποίηση!** Ποτέ μην επιχειρήσετε να ασφαλίσετε ή να σταθεροποιήσετε ένα διακόπτη λειτουργίας στη θέση on.

Για την ασφάλειά σας, αυτό το εργαλείο είναι εξοπλισμένο με διπλό σύστημα ενεργοποίησης. Αυτό το σύστημα εμποδίζει την ακούσια ενεργοποίηση του εργαλείου.

## Ενεργοποίηση εργαλείου (εικ. F)

- ◆ Κρατήστε σταθερά τις λαβές και στη συνέχεια πιέστε και τους δύο διακόπτες λειτουργίας (5) για να θέσετε τη μονάδα σε λειτουργία.

## Απενεργοποίηση εργαλείου (εικ. F)

Απελευθερώστε έναν από τους διακόπτες λειτουργίας (5).

**Σημείωση:** Για να λειτουργήσει το προϊόν, πρέπει να ασκείται πίεση και στους δύο διακόπτες λειτουργίας.

Μην ασκείτε πίεση στο εργαλείο, αφήστε το να λειτουργήσει με το δικό του ρυθμό. Η εργασία θα γίνει καλύτερα και με μεγαλύτερη ασφάλεια εάν το εργαλείο λειτουργεί με την ταχύτητα για την οποία έχει σχεδιαστεί. Η άσκηση υπερβολικής δύναμης καταπονεί την αλυσίδα.

Σε περίπτωση εμπλοκής της αλυσίδας πριονιού (3) ή της μπάρας οδηγού της αλυσίδας (3):

- ◆ Απενεργοποιήστε το εργαλείο.
- ◆ Αποσυνδέστε το εργαλείο από την πριζα.
- ◆ Ανοίξτε την τομή με σφήνες για να μειώσετε την ένταση πάνω στην μπάρα οδηγού της αλυσίδας (3). Μην επιχειρήσετε να απελευθερώσετε το πριόνι τραβώντας με δύναμη. Ξεκινήστε από νέο σημείο κοπής.

## Κλάδεμα κλαδιών (εικ. G)

Βεβαιωθείτε ότι δεν υπάρχουν τοπικοί νόμοι ή κανονισμοί που απαγορεύουν ή περιορίζουν το κλάδεμα των κλαδιών των δέντρων.

Βεβαιωθείτε ότι το εργαλείο λειτουργεί με τη μέγιστη ταχύτητα πριν πραγματοποιήσετε κοπή.

- ◆ Κρατήστε σταθερά το εργαλείο, για να αποφύγετε πιθανή αναπήδηση ή μετατόπισή του στο πλάι.
- ◆ Κατευθύνετε το εργαλείο ασκώντας μικρή πίεση.

Πάντοτε, κόβετε προς τα κάτω, ξεκινώντας από πάνω.

Με αυτό τον τρόπο, αποφεύγετε το ενδεχόμενο να μαγκώσει η αλυσίδα του πριονιού.

- Κλαδεύετε τα κλαδιά όπως φαίνεται στην εικόνα G ξεκινώντας από το άκρο του κλαδιού, αρχίστε να κόβετε σταδιακά το κλαδί, σε λογικά βήματα, αποκόβοντας μικρά τμήματά του.
- Απομακρύνετε το εργαλείο από το σημείο κοπής ενώ λειτουργεί με τη μέγιστη ταχύτητά του.

## Συντήρηση

Αυτή η συσκευή/εργαλείο με καλώδιο/χωρίς καλώδιο της Black & Decker έχει σχεδιαστεί έτσι ώστε να λειτουργεί για μεγάλο χρονικό διάστημα με την ελάχιστη δυνατή συντήρηση. Η αδιάλειπτη και ικανοποιητική λειτουργία του εργαλείου εξαρτάται από τη φροντίδα και τον τακτικό καθαρισμό του.

**Προειδοποίηση!** Πριν πραγματοποιήσετε οποιαδήποτε συντήρηση σε ηλεκτρικά εργαλεία με καλώδιο/χωρίς καλώδιο:

- Απενεργοποιήστε και αποσυνδέστε τη συσκευή/εργαλείο από την πρίζα.
- Ή απενεργοποιήστε και αφαιρέστε την μπαταρία από τη συσκευή/εργαλείο εάν η συσκευή/εργαλείο διαθέτει ξεχωριστή μπαταρία.
- Ή χρησιμοποιήστε την μπαταρία μέχρι να αδειάσει εντελώς και στη συνέχεια απενεργοποιήστε.
- Πριν καθαρίσετε το φορτιστή, αποσυνδέστε τον από την πρίζα. Ο φορτιστής σας δεν απαιτεί κάποια συντήρηση εκτός του τακτικού καθαρισμού.

Να καθαρίζετε τακτικά τις εγχοπές εξαιρισμού της συσκευής/εργαλείου/φορτιστή με μια μαλακή βούρτσα ή με ένα στεγνό πανί.

Να καθαρίζετε τακτικά το περίβλημα του μοτέρ με ένα υγρό πανί. Μην χρησιμοποιείτε λειαντικά ή υγρά καθαρισμού που περιέχουν διαλυτικά.

Να ανοίγετε τακτικά το τσοκ και να το χτυπάτε ελαφρά για να αφαιρείται η σκόνη από το εσωτερικό του (εφόσον εφαρμόζεται).

## Καθαρισμός

- Αφαιρείτε σε τακτική βάση το κάλυμμα πρόσβασης της αλυσίδας για να απομακρύνετε τυχόν ξένα σώματα που έχουν παγιδευτεί στο εσωτερικό του.
- Καθαρίζετε σε τακτική βάση τις εγχοπές εξαιρισμού με ένα καθαρό, στεγνό πινέλο βαφής.
- Για τον καθαρισμό του εργαλείου, χρησιμοποιήστε αποκλειστικά ήπιο σαπούνι και υγρό πανί. Μην επιτρέψετε ποτέ να εισέλθει υγρό στο εσωτερικό του εργαλείου και μη βυθίσετε ποτέ οποιοδήποτε εξάρτημα του εργαλείου σε υγρό.

## Λίπανση

- Λαδώνετε τακτικά τα σημεία λίπανσης (10) όπως υποδεικνύεται στην εικόνα B.

## Μεταφορά

- Μεταφέρετε το εργαλείο πάντοτε με κλειστές τις σιαγόνες.

## Αποθήκευση

- Εάν το εργαλείο δεν πρόκειται να χρησιμοποιηθεί για αρκετούς μήνες, επαλειψτε τα μεταλλικά εξάρτημα με λάδι.
- Αποθηκεύστε το εργαλείο σε ασφαλές και στεγνό μέρος. Η θερμοκρασία αποθήκευσης πρέπει πάντοτε να παραμένει μεταξύ +5 °C έως +40 °C. Τοποθετήστε το προϊόν σε μια επίπεδη ασφαλή επιφάνεια.

## Προστασία του περιβάλλοντος



Ξεχωριστή περισυλλογή. Αυτό το προϊόν δεν πρέπει να απορρίπτεται μαζί με τα κοινά οικιακά απορρίμματα.

Εάν κάποια μέρα διαπιστώσετε ότι το προϊόν σας Black & Decker χρειάζεται αντικατάσταση ή ότι δεν το χρειάζεστε άλλο, μην το απορρίψετε μαζί με τα κοινά οικιακά απορρίμματα αλλά κάντε αυτό το προϊόν διαθέσιμο για ξεχωριστή περισυλλογή.



Η ξεχωριστή περισυλλογή των μεταχειρισμένων προϊόντων και των υλικών συσκευασίας επιτρέπει την ανακύκλωση και επαναχρησιμοποίηση των υλικών. Με την επαναχρησιμοποίηση των ανακυκλωμένων υλικών αποτρέπεται η μόλυνση του περιβάλλοντος και μειώνεται η ζήτηση πρώτων υλών.

Οι κανονισμοί που ισχύουν στην περιοχή σας ενδέχεται να προβλέπουν την ξεχωριστή περισυλλογή των ηλεκτρικών συσκευών που προέρχονται από νοικοκυριά σε δημοτικές εγκαταστάσεις ή από τον έμπορο όταν αγοράσετε ένα καινούργιο προϊόν.

Η Black & Decker δίνει τη δυνατότητα ανακύκλωσης των προϊόντων της που έχουν συμπληρώσει τη διάρκεια ζωής τους. Για να χρησιμοποιήσετε αυτήν την υπηρεσία, επιστρέψτε το προϊόν σας σε οποιοδήποτε εξουσιοδοτημένο κέντρο επισκευών, όπου θα το παραλάβουν εκ μέρους μας.

## Δήλωση συμμόρφωσης με την Ευρωπαϊκή Κοινότητα

ΟΔΗΓΙΑ ΠΕΡΙ ΜΗΧΑΝΗΜΑΤΩΝ  
ΟΔΗΓΙΑ ΓΙΑ ΘΟΥΡΥΒΟΥΣ ΣΕ ΕΞΩΤΕΡΙΚΟΥΣ ΧΩΡΟΥΣ



### GK1000 GK1050

Η Black & Decker δηλώνει ότι τα προϊόντα αυτά που περιγράφονται στα "τεχνικά χαρακτηριστικά" συμμορφώνονται με:

2006/42/ΕΚ και EN 60745-1

2000/14/ΕΚ, Αλυστοπίριο, Παράρτημα V

Στάθμη ηχητικής ισχύος σύμφωνα με το 2000/14/ΕΚ

$L_{WA}$ (μετρημένη ηχητική ισχύς)	dB	98
$L_{WA}$ (εγγυημένη ηχητική ισχύς)	dB	101

Αυτά τα προϊόντα συμμορφώνονται επίσης με την Οδηγία 2004/108/ΕΚ και 2011/65/ΕΚ.

Για περισσότερες πληροφορίες, παρακαλείστε να επικοινωνήσετε με την Black & Decker στην παρακάτω διεύθυνση ή να ανατρέξετε στο πίσω μέρος του εγχειριδίου.

Ο κάτωθι υπογεγραμμένος είναι υπεύθυνος για την κατάρτιση του τεχνικού φακέλου και δηλώνει τα παρόντα εκ μέρους της Black & Decker.

Kevin Hewitt

Αντιπρόεδρος παγκόσμιας μηχανικής  
Black & Decker Europe, 210 Bath Road, Slough,  
Berkshire, SL1 3YD

Ηνωμένο Βασίλειο

17/05/2012

Ενημερωθείτε για το πλησιέστερο εξουσιοδοτημένο κέντρο επισκευών της περιοχής σας, επικοινωνώντας με τα γραφεία της Black & Decker στη διεύθυνση που αναγράφεται στο εγχειρίδιο. Επίσης, μια λίστα με τα εξουσιοδοτημένα κέντρα επισκευών της Black & Decker και πλήρεις λεπτομέρειες για τις υπηρεσίες που παρέχονται μετά την πώληση καθώς και στοιχεία επικοινωνίας υπάρχουν στο Διαδίκτυο, στη διεύθυνση:

[www.2helpU.com](http://www.2helpU.com).

### Τεχνικά χαρακτηριστικά

		GK1000 ΤΥΠΟΣ 2	GK1050 ΤΥΠΟΣ 2
Τάση	$V_{AC}$	230	230
Ισχύς εισόδου	W	550	600
Ταχύτητα αλυσίδας (χωρίς φορτίο)	m/s	2.3	2.3
Μέγιστη διάμετρος κοπής	mm	100	100
Βάρος	kg	3	3

Εγγυημένο επίπεδο ηχητικής πίεσης, το οποίο μετράται σύμφωνα με EN 60745:

$L_{pA}$  (ηχητική πίεση) 87 dB(A), αβεβαιότητα (K) 3 dB(A)

$L_{wA}$  (ηχητική ισχύς) 98 dB(A), αβεβαιότητα (K) 3 dB(A)

$L_{WA}$  (εγγυημένο επίπεδο) 105 dB(A)

συνδυασμένη χειροβραχιονική δόνηση 4.95 m/s<sup>2</sup>

αβεβαιότητα (K) 1.5 dB(A)

## Εγγύηση

Η Black & Decker είναι σίγουρη για την ποιότητα των προϊόντων της και παρέχει μια εξαιρετική εγγύηση. Η παρούσα γραπτή εγγύηση αποτελεί πρόσθετο δικαίωμά σας και δεν ζημιώνει τα νόμιμα δικαιώματά σας. Η εγγύηση ισχύει εντός της επικράτειας των Κρατών Μελών της Ευρωπαϊκής Ένωσης και της Ευρωπαϊκής Ζώνης Ελευθέρων Συναλλαγών.

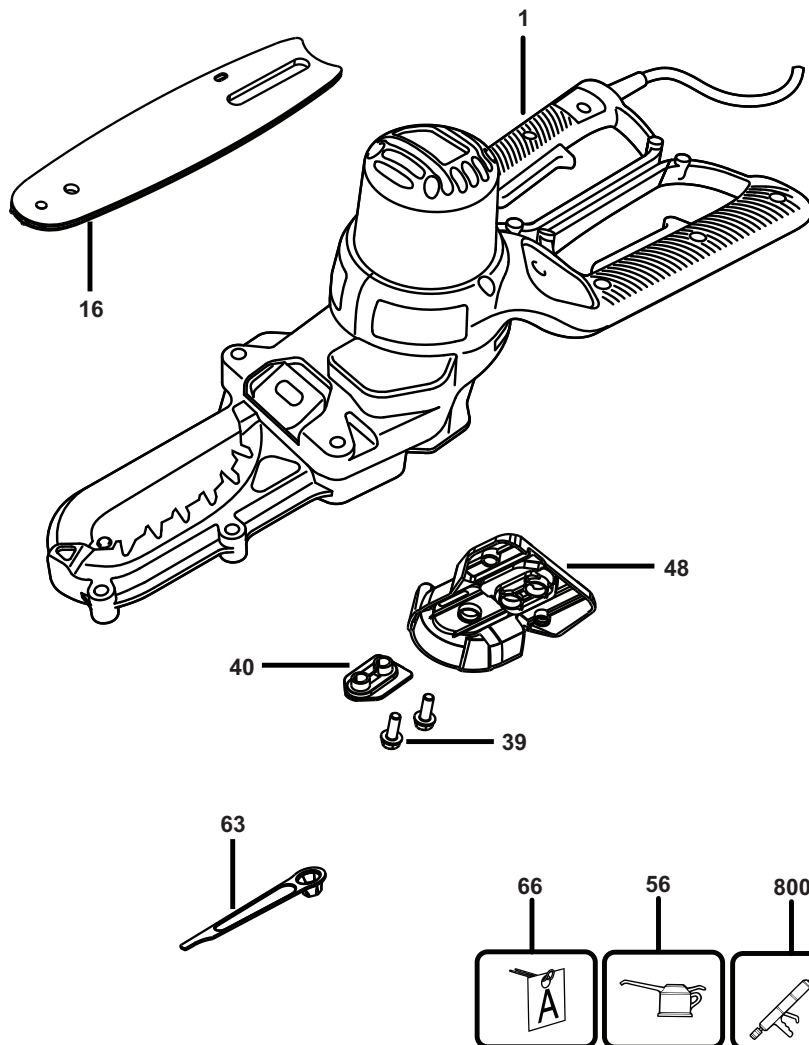
Σε περίπτωση που κάποιο προϊόν της Black & Decker παρουσιάσει βλάβη εξαιτίας ελαττωματικών υλικών, ποιότητας εργασίας ή έλλειψης συμφωνίας με τις προδιαγραφές εντός 24 μηνών από την ημερομηνία αγοράς, η Black & Decker εγγυάται την αντικατάσταση των ελαττωματικών τμημάτων, την επισκευή προϊόντων που έχουν υποστεί εύλογη φθορά λόγω χρήσης ή την αντικατάσταση των προϊόντων προκειμένου να εξασφαλίσει την ελάχιστη ενόχληση στους πελάτες της, εκτός εάν:

- ◆ Το προϊόν έχει χρησιμοποιηθεί σε εργασιακό, επαγγελματικό περιβάλλον ή έχει ενοικιαστεί.
- ◆ Έχει γίνει εσφαλμένη χρήση του προϊόντος ή έχει παραμεληθεί.
- ◆ Το προϊόν έχει υποστεί βλάβη από άλλα αντικείμενα, από ουσίες ή λόγω ατυχήματος.
- ◆ Έχει γίνει προσπάθεια επισκευής από μη εξουσιοδοτημένα κέντρα επισκευών ή από προσωπικό που δεν ανήκει στο προσωπικό της Black & Decker.

Για να ισχύσει η εγγύηση, πρέπει να υποβάλετε απόδειξη αγοράς στον πωλητή ή το εξουσιοδοτημένο κέντρο επισκευών. Ενημερωθείτε για το πλησιέστερο εξουσιοδοτημένο κέντρο επισκευών της περιοχής σας, επικοινωνώντας με τα γραφεία της Black & Decker στη διεύθυνση που αναγράφεται στο εγχειρίδιο. Επίσης, μια λίστα με τα εξουσιοδοτημένα κέντρα επισκευών της Black & Decker και πλήρεις λεπτομέρειες για τις υπηρεσίες που παρέχονται μετά την πώληση καθώς και στοιχεία επικοινωνίας, υπάρχουν στο Διαδίκτυο, στη διεύθυνση: [www.2helpU.com](http://www.2helpU.com).

Παρακαλούμε επισκεφθείτε την ιστοσελίδα μας [www.blackanddecker.eu](http://www.blackanddecker.eu) για να καταχωρήσετε το νέο σας προϊόν Black & Decker και για να ενημερώνεστε για τα νέα προϊόντα και τις ειδικές προσφορές. Περισσότερες πληροφορίες σχετικά με τη μάρκα Black & Decker και τη σειρά των προϊόντων μας θα βρείτε στη διεύθυνση [www.blackanddecker.eu](http://www.blackanddecker.eu).

Partial support - Only parts shown available  
Nur die aufgeführten teile sind lieferbar  
Reparation partielle - Seules les pieces indiquees sont disponibles  
Supporto parziale - Sono disponibili soltanto le parti evidenziate  
Solo estan disponibles las peizas listadas  
So se encontram disponiveis as pecas listadas  
Gedeeltelijke ondersteuning - alleen de getoonde onderdelen  
zijn beschikbaar







ENGLISH

**Do not forget to register your product!**  
**[www.blackanddecker.co.uk/productregistration](http://www.blackanddecker.co.uk/productregistration)**

Register your product online at **[www.blackanddecker.co.uk/productregistration](http://www.blackanddecker.co.uk/productregistration)** or send your name, surname and product code to Black & Decker in your country.

DEUTSCH

**Vergessen Sie nicht, Ihr Produkt registrieren zu lassen!**  
**[www.blackanddecker.de/productregistration](http://www.blackanddecker.de/productregistration)**

Lassen Sie Ihr Produkt unter **[www.blackanddecker.de/productregistration](http://www.blackanddecker.de/productregistration)** online registrieren oder schicken Sie Ihren Nachnamen, Vornamen und den Produktcode an Black & Decker in Ihrem Land.

FRANÇAIS

**N'oubliez pas d'enregistrer votre produit !**  
**[www.blackanddecker.fr/productregistration](http://www.blackanddecker.fr/productregistration)**

Enregistrez votre produit en ligne sur **[www.blackanddecker.fr/productregistration](http://www.blackanddecker.fr/productregistration)** ou envoyez vos nom, prénom et code produit à Black & Decker dans votre pays.

ITALIANO

**Non dimenticate di registrare il prodotto!**  
**[www.blackanddecker.it/productregistration](http://www.blackanddecker.it/productregistration)**

Registrate il prodotto online su **[www.blackanddecker.it/productregistration](http://www.blackanddecker.it/productregistration)** o inviate nome, cognome e codice del prodotto al centro Black & Decker del vostro paese.

NEDERLANDS

**Vergeet niet uw product te registreren!**  
**[www.blackanddecker.nl/productregistration](http://www.blackanddecker.nl/productregistration)**

U kunt uw product online registreren op **[www.blackanddecker.nl/productregistration](http://www.blackanddecker.nl/productregistration)** of u kunt uw voornaam, achternaam en productcode opsturen naar Black & Decker in uw land.

ESPAÑOL

**¡No olvide registrar su producto!**  
**[www.blackanddecker.es/productregistration](http://www.blackanddecker.es/productregistration)**

Registre su producto on-line en **[www.blackanddecker.es/productregistration](http://www.blackanddecker.es/productregistration)** o envíe su nombre, apellidos y código de producto a Black & Decker en su país.

PORTUGUÊS

**Não se esqueça de registrar o seu produto!**

**[www.blackanddecker.pt/productregistration](http://www.blackanddecker.pt/productregistration)**

Registe o seu produto online em **[www.blackanddecker.pt/productregistration](http://www.blackanddecker.pt/productregistration)** ou envie o seu nome, apelido e código do produto para a Black & Decker no seu país.

SVENSKA

**Glöm inte att registrera produkten!**

**[www.blackanddecker.se/productregistration](http://www.blackanddecker.se/productregistration)**

Registrera produkten online på **[www.blackanddecker.se/productregistration](http://www.blackanddecker.se/productregistration)** eller skicka namn och produktkod till Black & Decker i landet du bor i.

NORSK

**Ikke glem å registrere produktet ditt!**

**[www.blackanddecker.no/productregistration](http://www.blackanddecker.no/productregistration)**

Registrer produktet ditt online på **[www.blackanddecker.no/productregistration](http://www.blackanddecker.no/productregistration)**, eller send ditt navn, etternavn og produktkode til Black & Decker i ditt eget land.

DANSK

**Glem ikke at registrere dit produkt!**

**[www.blackanddecker.dk/productregistration](http://www.blackanddecker.dk/productregistration)**

Registrer dit produkt på internettet på: **[www.blackanddecker.dk/productregistration](http://www.blackanddecker.dk/productregistration)** eller send dit navn, efternavn og produktkode til Black & Decker i dit eget land.

SUOMI

**Muistathan rekisteröidä tuotteesi!**

**[www.blackanddecker.fi/productregistration](http://www.blackanddecker.fi/productregistration)**

Rekisteröi tuotteesi verkossa osoitteessa **[www.blackanddecker.fi/productregistration](http://www.blackanddecker.fi/productregistration)** tai lähetä etunimesi, sukunimesi ja tuotekoodi oman maasi Black & Decker -edustajalle.

ΕΛΛΗΝΙΚΑ

**Μην ξεχάσετε να καταχωρίσετε το προϊόν σας!**

**[www.blackanddecker.gr/productregistration](http://www.blackanddecker.gr/productregistration)**

Καταχωρίστε το προϊόν σας σε σύνδεση στη σελίδα **[www.blackanddecker.gr/productregistration](http://www.blackanddecker.gr/productregistration)** ή στείλτε το όνομα, επίθετο σας και τον κωδικό πριονωτός στη Black & Decker στη χώρα σας.

<b>België/Belgique</b>	Black & Decker (Belgium) N.V. Nieuwlandlaan 321 3200 Aarschot	Tel. Fax	016 68 91 00 016 68 91 11
<b>Danmark</b>	Black & Decker Sluseholmen 2-4, 2450 København SV Internet: <a href="http://www.blackanddecker.dk">www.blackanddecker.dk</a>	Tel. Fax	70 20 15 10 70 22 49 10
<b>Deutschland</b>	Black & Decker GmbH Black & Decker Str. 40, D - 65510 Idstein	Tel. Fax	06126/21 - 0 06126/21 29 80
<b>Ελλάδα</b>	Black & Decker (Ελλάς) A.E. Στράβωνος 7 & Λεωφ. Βουλιαγμένης 159 166 74 Γλυφάδα - Αθήνα	Τηλ. Φαξ www.blackanddecker.eu	210 8981616 210 8983285
<b>España</b>	Black & Decker Ibérica, S.C.A. Parc de Negocis "Mas Blau" Edificio Muntadas, c/Bergadá, 1, Of. A6 08820 El Prat de Llobregat (Barcelona)	Tel. Fax	934 797 400 934 797 419
<b>France</b>	Black & Decker (France) S.A.S. B.P. 21, 69571 Dardilly Cédex	Tel. Fax	04 72 20 39 20 04 72 20 39 00
<b>Helvetia</b>	ROFO AG Gewerbezone Seeblick 3213 Kleinbösingen	Tel. Fax	026-6749391 026-6749394
<b>Italia</b>	Black & Decker Italia SpA Viale Elvezia 2 20052 Monza (MI)	Tel. Fax Numero verde	039-23871 039-2387592/2387594 800-213935
<b>Nederland</b>	Black & Decker Benelux Joulehof 12, 4622 RG Bergen op Zoom	Tel. Fax	0164 - 283000 0164 - 283100
<b>Norge</b>	Black & Decker (Norge) A/S Postboks 4814, Nydalen, 0422 Oslo Internet: <a href="http://www.blackanddecker.no">www.blackanddecker.no</a>	Tlf. Fax	22 90 99 00 22 90 99 01
<b>Österreich</b>	Black & Decker Vertriebsges.m.b.H Oberlaaerstraße 246, A1100 Wien	Tel. Fax	01 66116-0 01 66116-14
<b>Portugal</b>	Black & Decker Rua Egas Moniz 173 S. João do Estoril 2766-651 Estoril	Tel. Fax	214667500 214667580
<b>Suomi</b>	Black & Decker Oy Keilasatama 3, 02150 Espoo Black & Decker Oy, Kägelhamnen 3, 02150 Esbo	Puh. Faksi Tel. Fax	010 400 430 (09) 2510 7100 010 400 430 (09) 2510 7100
<b>Sverige</b>	Black & Decker AB Fabriksg. 7, 412 50 Göteborg	Tel. Fax	031-68 60 60 031-68 60 80
<b>United Kingdom</b>	Black & Decker 210 Bath Road Slough, Berkshire SL1 3YD	Tel. Fax Helpline	01753 511234 01753 551155 01753 574277
<b>Middle East &amp; Africa</b>	Black & Decker (Overseas) A.G. PB 5420, Dubai, United Arab Emirates	Tel. Fax	+971 4 2826464 +971 4 2826466