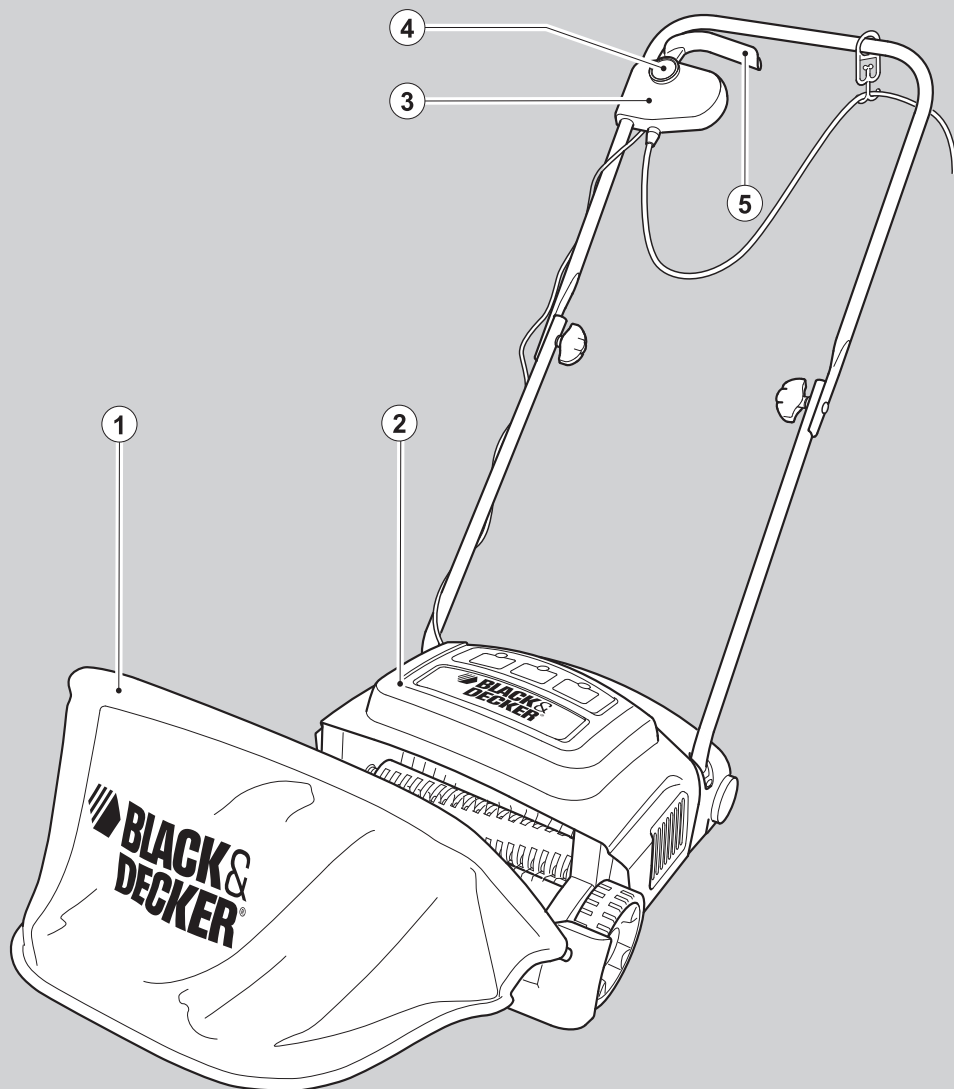
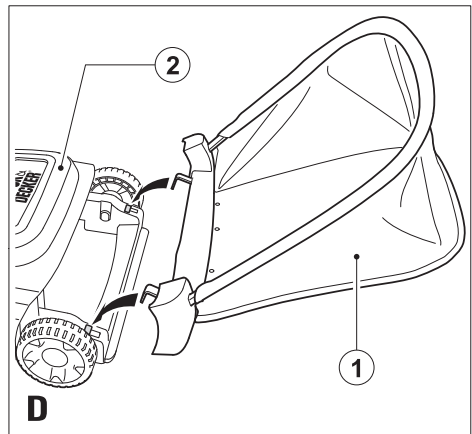
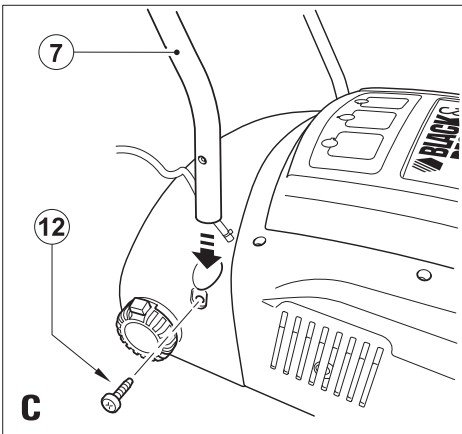
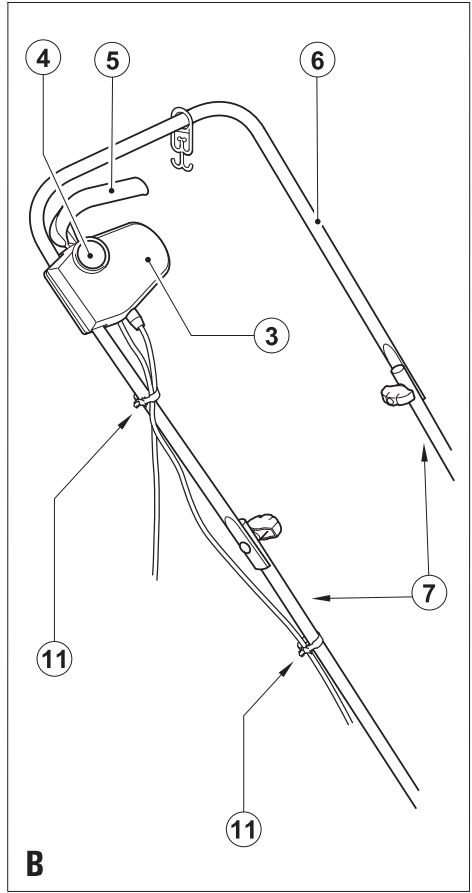
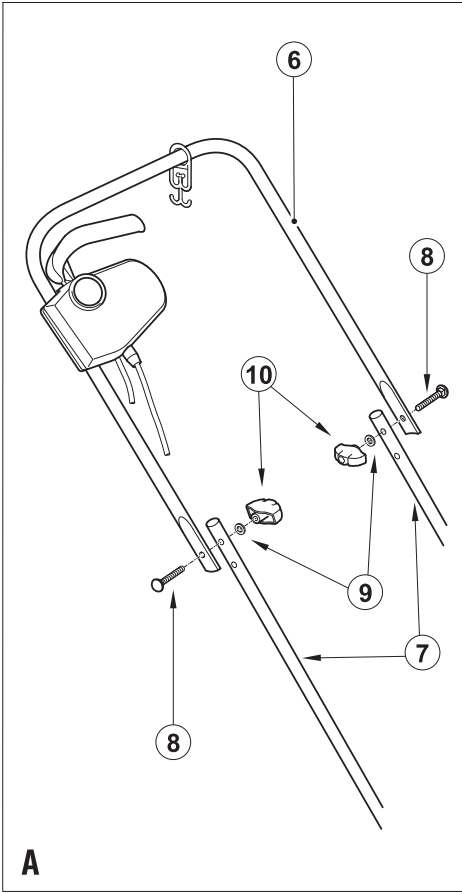
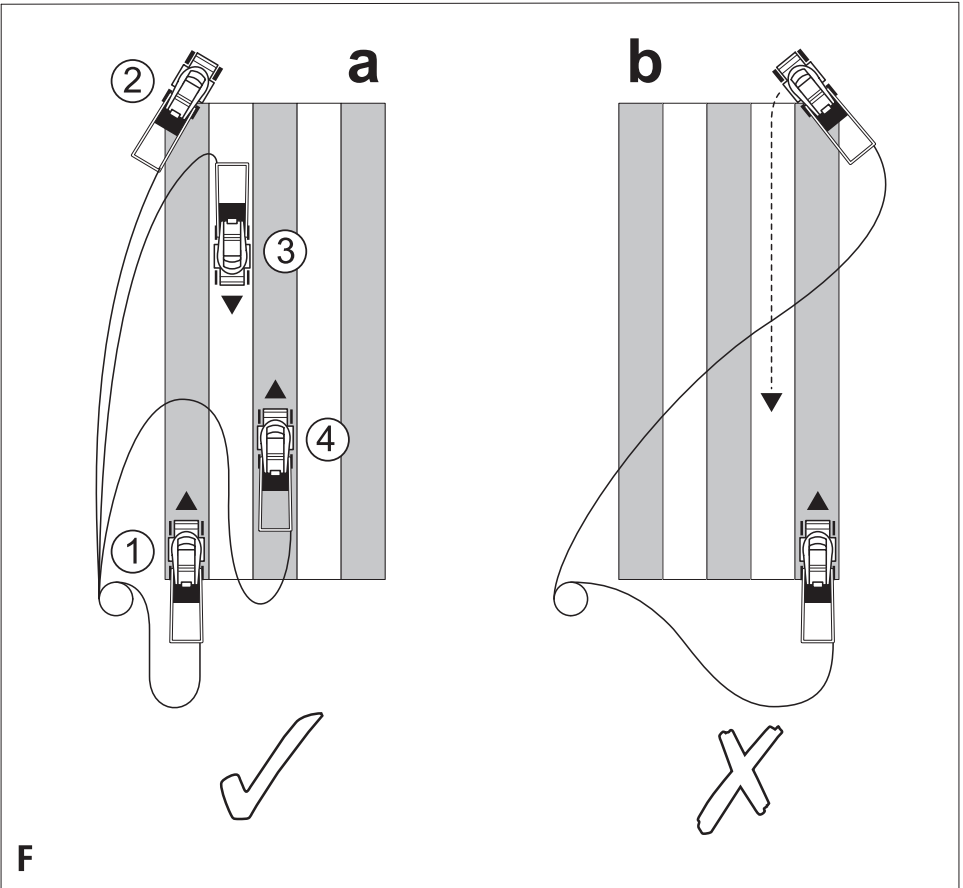
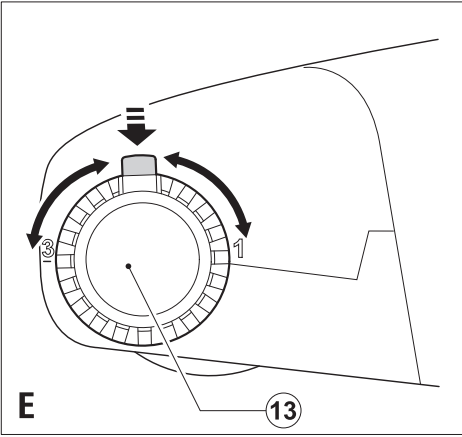


BLACK & DECKER®



| | | |
|-------------------|---|-----------|
| English | (Original instructions) | 5 |
| Deutsch | (Übersetzung der ursprünglichen Anweisungen) | 11 |
| Français | (Traduction des instructions initiales) | 17 |
| Italiano | (Traduzione del testo originale) | 23 |
| Nederlands | (Vertaling van de originele instructies) | 29 |
| Español | (Traducción de las instrucciones originales) | 35 |
| Português | (Tradução das instruções originais) | 41 |
| Svenska | (Översättning av originalanvisningarna) | 47 |
| Norsk | (Oversettelse av de opprinnelige instruksjonene) | 53 |
| Dansk | (Oversættelse af de oprindelige instruktioner) | 59 |
| Suomi | (Alkuperäisten ohjeiden käännös) | 65 |
| Ελληνικά | (Μετάφραση των πρωτότυπων οδηγιών) | 71 |





Intended use

Your Black & Decker lawnmower has been designed for raking lawns to remove debris, thatch, moss and weeds which can disfigure a lawn. This tool is intended for consumer use only.

Safety instructions

Warning! When using mains-powered appliances, basic safety precautions, including the following, should always be followed to reduce the risk of fire, electric shock and personal injury.

- ◆ Read all of this manual carefully before operating the appliance.
- ◆ Before operating the appliance, make sure that you know how to switch it off in an emergency.
- ◆ Retain this manual for future reference.

Training

- ◆ Read the instructions carefully. Be familiar with the controls and the proper use of the appliance.
- ◆ Do not allow children or any person unfamiliar with these instructions to operate the appliance. Local regulations may restrict the age of the operator.
- ◆ Never use the appliance while people, especially children, or pets are nearby.
- ◆ Remember that the operator will be held responsible for accidents or hazards occurring to other people or their property.

Preparation

- ◆ Wear stout shoes or boots to protect your feet. Do not operate the appliance wearing open-toed sandals or when barefoot. Wear long trousers to protect your legs.
- ◆ Wear safety glasses or goggles when operating this tool. Use a face or dust mask whenever the operations take place in dusty surroundings. Hearing protection should be worn whenever the sound level seems uncomfortable.
- ◆ Guard against electric shock. Prevent body contact with earthed or grounded surfaces (e.g. metal railings, lampposts, etc.).
- ◆ Before starting the operation, check that your raking path is free from sticks, stones, wire and any other objects.

Operation

- ◆ Never operate the appliance with defective guards or shields, or without safety devices, for example deflectors and/or grass catchers, in place.
- ◆ Only use the appliance in daylight or good artificial light.

- ◆ Do not expose the appliance to rain. Do not use the appliance in damp or wet conditions. Preferably do not use the appliance in wet grass.
- ◆ Be sure of your footing, particularly on slopes. Be aware that freshly cut grass is damp and slippery. Do not work on steep slopes.
- ◆ Work across the face of slopes, never up and down. Take extreme caution when changing direction on slopes.
- ◆ Walk, never run when using the appliance. Do not pull the appliance towards you or walk backwards when using the appliance.
- ◆ Switch on the appliance according to instructions and with your feet well away from the tines.
- ◆ Do not tilt appliance when switching it on, except if the appliance has to be tilted for starting. In that case, do not tilt the appliance more than absolutely necessary and lift only the part that is away from the operator. Always ensure that both hands are in the operating position before returning the appliance to the ground.
- ◆ Switch off the appliance and wait for the tines assembly to stop running if the appliance has to be tilted for transportation when crossing surfaces other than grass, and when transporting the appliance to and from the area to be raked.
- ◆ Do not lift or carry the appliance until the tines have come to a complete standstill.
- ◆ Keep your hands and feet well away from the tines. Do not put your hands or feet near or under rotating parts.
- ◆ Keep away from discharge openings at all times.
- ◆ Switch off, remove the plug from the socket and ensure that moving parts have stopped rotating before leaving the appliance unattended and before changing, cleaning or inspecting any parts of the appliance or clearing a blockage.
- ◆ If the appliance starts to vibrate abnormally or if you hit a foreign object, switch the appliance off and remove the plug from the socket. Check for any damage to the appliance.
- ◆ Take care to keep the mains cable away from the tines. Always be aware of the position of the cable.
- ◆ The motor will continue to run for a few seconds after switching the appliance off. Never attempt to force the tines to come to a standstill.

Maintenance and storage

- ◆ Before use, check the appliance for damaged or defective parts. Check for misalignment and seizure of moving parts, breakage of parts, damage to guards and switches and any other conditions that may affect its operation. Ensure that the appliance will operate properly and perform its intended function. Never use the appliance when any guard or enclosure is damaged or not in place. Do not use the appliance if any part is damaged or defective. Do not use the appliance if the switch does not turn it on and off. Have any damaged or defective parts repaired or replaced by an authorised repair agent.
- ◆ Check the cable frequently for damage. If the cable is damaged, it must be replaced by an authorised repair agent in order to prevent a hazard. Inspect extension cables periodically. Replace a damaged extension cable immediately.
- ◆ Keep all nuts, bolts and screws on the appliance tight to ensure a safe working condition.
- ◆ Check the grass box for wear or damage and replace it if necessary. Never use the appliance without the grass box.
- ◆ When not in use, the appliance should be stored in a dry place. Children should not have access to stored appliances.
- ◆ Ensure that only replacement cutting means of the right type are used.
- ◆ Use only Black & Decker recommended spare parts and accessories.

Safety of others

- ◆ This appliance is not intended for use by persons (including children) with reduced physical, sensory or mental capabilities, or lack of experience and knowledge, unless they have been given supervision or instruction concerning the use of the appliance by a person responsible for their safety.
- ◆ Children should be supervised to ensure that they do not play with the appliance.

Warning symbols

The following warning symbols are found on the appliance:



Read the manual prior to operation.



Do not expose the appliance to rain or high humidity.



Keep bystanders away.



Beware of the sharp tines. Tines continue to rotate after the motor is switched off - remove plug from mains before maintenance or if the cord is damaged.



Keep the cable away from the cutting tines.



The tines will continue to rotate after the machine is switched off.

Electrical safety



This tool is double insulated; therefore no earth wire is required. Always check that the power supply corresponds to the voltage on the rating plate.

- ◆ If the supply cord is damaged, it must be replaced by the manufacturer or an authorised Black & Decker Service Centre in order to avoid a hazard
- ◆ Electric safety can be further improved by using a high-sensitivity 30 mA residual current device (RCD).

Using an extension cable

Always use an approved extension cable suitable for the power input of this tool (see technical data). The extension cable must be suitable for outdoor use and marked accordingly. Up to 30 m of 1.5 mm² HO5V V-F extension cable can be used without loss of product performance. Before use, inspect the extension cable for signs of damage, wear and ageing. Replace the extension cable if damaged or defective. When using a cable reel, always unwind the cable completely.

Features

1. Grass box
2. Motor cover
3. Switch box
4. Lock-off button
5. Switch lever

Assembly

Warning! Before assembly, make sure that the appliance is switched off and unplugged.

Assembling the upper handle (fig. A)

- ◆ Make sure that the cable restraint loop is fitted to the upper handle prior to assembly.
- ◆ Fit the lower handle part (7) to the upper handle (6) using the knobs (10), washers (9) and screws (8) as shown.

Fitting the lower handle (fig. C)

- ◆ Insert the ends of the lower handle (7) into the corresponding holes in the raker.
- ◆ Press the handle down as far as it will go.
- ◆ Secure the handle using the screws (12).

Fixing the cable (fig. B)

The motor cable has to be fixed using the cable restraints.

- ◆ Clip the one restraint (11) onto the cable leading from the switchbox (3) to the motor. Secure the restraint to the lower handle (7).
- ◆ Clip the other restraint (11) onto the cable leading from the switchbox (3) to the motor plug. Secure the restraint to the upper handle (7).

Warning! Make sure the cable is secured using the cable restraints prior to connecting the plug to the mains outlet.

Fitting the grass box (fig. D)

- ◆ With your lawnmower in its working position, place the grass box (1) over the lugs at the front of the lawnmower.

Height of rake adjustment (fig. E)

There are three raking height positions on your raker; low, medium and high. These are selected by altering the position of the three-position height adjuster located on the rear roller (13).

- ◆ Press the lock button on the three-position height adjuster and rotate the adjuster to any of the three available positions as shown in Fig. E. On reaching the required position, release the lock button and allow it to engage in your raker body (2).
- ◆ The three positions are identified by markings on the side of your raker body as shown in Fig. E.

The three raking height positions are as follows:

- ◆ **Lowest setting (1).** This setting should be used when you wish to give the lawn a particularly vigorous raking. On this setting, your raker will remove all the debris and thatch that has collected at the base of your grass. It will also remove moss and weeds on this setting.
- ◆ **Medium setting (2).** This setting should be used when you wish to give your lawn a moderate raking. This setting will be suitable for the majority of lawns.
- ◆ **Highest setting (3).** This setting will lightly rake and sweep your lawn. Your raker can also be used on this setting to 'lift' flattened grass and stolons (the creeping

stems of grasses and weeds like clover) so that you can mow them. The sweep/light rake setting is ideal for fallen leaves and for collecting grass cuttings which have been left on the lawn after mowing.

Residual risks

Additional residual risks may arise when using the tool which may not be included in the enclosed safety warnings. These risks can arise from misuse, prolonged use etc.

Even with the application of the relevant safety regulations and the implementation of safety devices, certain residual risks cannot be avoided. These include:

- ◆ Injuries caused by touching any rotating/moving parts.
- ◆ Injuries caused when changing any parts, blades or accessories.
- ◆ Injuries caused by prolonged use of a tool. When using any tool for prolonged periods make sure you take regular breaks.
- ◆ Impairment of hearing.
- ◆ Health hazards caused by breathing dust developed when using your tool (example:- working with wood, especially oak, beech and MDF).

Use**Switching on and off****Switching on**

- ◆ Hold the handle with both hands and tilt it slightly downwards to raise the front of the appliance.
- ◆ Press the lock-off button (4) and pull the switch lever (5) towards you.
- ◆ Release the lock-off button (4).
- ◆ Let the appliance return to its working position.

Switching off

- ◆ To switch the appliance off, release the switch lever (5).

Never attempt to lock a switch in the on position.

Warning! Let the appliance work at its own pace. Do not overload.

To look after a lawn properly, you need to do more than just mow it once a week throughout the Summer. The lawn will benefit from a vigorous raking of the grass to remove the dead matter, moss and weed which disfigures a lawn. The build up of dead grass provides a mat of absorbent fibres which prevents water getting through to the ground and if this mat is kept waterlogged, it can encourage grass diseases and prevent healthy grasses taking root.

- ◆ Place the bulk of the extension cable on the lawn close to the starting point (Fig. F, position 1).

- ◆ Hold the handle with both hands and hold the upper portion of the extension cable in the hand not operating the switch lever.

Warning! Do not attempt to operate your raker with one hand - you must guide it with both hands.

- ◆ Switch on as described above.
- ◆ Proceed down the raking area from position 1 towards position 2 and, on reaching position 2, turn to the right and proceed towards position 3. Continue to the end of the raking area, turn to the left, and proceed towards position 4.
- ◆ Continue in the same manner as shown in the left hand diagram, always working away from the cable. Do not adopt the method shown in the right hand diagram, working towards the cable, as this is dangerous practice.

When you have finished using your raker we recommend that you clean all debris from it before putting it away. Refer to the "Maintenance" section in this manual.

Note: To obtain the best results rake your lawn or grassed area regularly and do not rake when the grass is wet.

- ◆ When raking over the edge of your lawn, press downwards on the handle to stop the wheels dropping over the edge.
- ◆ To prolong the effective raking life of your tine assembly, clear the lawn area of any loose debris or stones.

Warning! Do not connect a damaged cord to the supply or touch a damaged cord before it is disconnected from the supply. A damaged cord can lead to contact with live parts.

Warning! Do not touch the tines before the machine is disconnected from the supply and the tines have come to a complete stop.

Warning! Children should be supervised to ensure that they do not play with the appliance.

This appliance is not intended for use by persons (including children) with reduced physical, sensory or mental capabilities, or lack of experience and knowledge, unless they have been given supervision or instruction concerning the use of the appliance by a person responsible for their safety.

Hints for optimum use

Do not force your raker through grass that is too long. It is recommended that your raker should not be used in grass that is longer than 75mm (3 inches) in length.

- ◆ Do not use in wet or damp conditions.
- ◆ To obtain the best result from your raker use it regularly. It is recommended that your raker is used at the beginning and end of each grass cutting season to give your lawn a thorough scarifying. Your raker should also

be used after each mowing session to remove any grass cuttings that may have been left behind by your raker.

- ◆ Rake first in one direction and then at the next occasion at right angles. Initially, this may make the grass look bare and straggly but it will rapidly recover.

Maintenance

Your Black & Decker appliance has been designed to operate over a long period of time with a minimum of maintenance. Continuous satisfactory operation depends upon proper appliance care and regular cleaning.

- ◆ Keep the appliance clean and dry.
- ◆ Regularly clean the ventilation slots with a clean, dry paint brush.
- ◆ Regularly use a blunt scraper to remove grass and dirt from the appliance.
- ◆ To clean the appliance, use only mild soap and a damp cloth. Never let any liquid get inside the tool and never immerse any part of the tool into liquid. Do not use any abrasive or solvent-based cleaner.

Troubleshooting

If your appliance does not operate properly, follow the instructions below. If this does not solve the problem, please contact your local Black & Decker repair agent. **Warning!** Before proceeding, remove the plug from the socket.

Motor buzzes but the tine assembly does not move

- ◆ Carefully remove any obstructions from the tines.

No noise and tine assembly does not move

- ◆ Check that the power cables are properly connected.
- ◆ Check the mains fuses.

Warning! Mains plug replacement (U.K. & Ireland only)

If a new mains plug needs to be fitted:

- ◆ Safely dispose of the old plug.
- ◆ Connect the brown lead to the live terminal in the new plug.
- ◆ Connect the blue lead to the neutral terminal.

Warning! No connection is to be made to the earth terminal. Follow the fitting instructions supplied with good quality plugs. Recommended fuse: 13 A.

Protecting the environment



Separate collection. This product must not be disposed of with normal household waste.

Should you find one day that your Black & Decker product needs replacement, or if it is of no further use to you, do not dispose of it with household waste. Make this product available for separate collection.



Separate collection of used products and packaging allows materials to be recycled and used again. Re-use of recycled materials helps prevent environmental pollution and reduces the demand for raw materials.

Local regulations may provide for separate collection of electrical products from the household, at municipal waste sites or by the retailer when you purchase a new product.

Black & Decker provides a facility for the collection and recycling of Black & Decker products once they have reached the end of their working life. To take advantage of this service please return your product to any authorised repair agent who will collect them on our behalf.

You can check the location of your nearest authorised repair agent by contacting your local Black & Decker office at the address indicated in this manual. Alternatively, a list of authorised Black & Decker repair agents and full details of our after-sales service and contacts are available on the Internet at: www.2helpU.com.

Technical data

| | GD300 TYPE 1 | GD300X TYPE 1 |
|-------------------|------------------------|------------------|
| Voltage | Vac 230 | 230 |
| Power input | W 600 | 500 |
| No-load speed | min ⁻¹ 3000 | 3000 |
| Height adjustment | cm -2/3/8 | -2/3/8 |
| Weight | kg 7.9 | 7.9 |

| |
|--|
| Level of sound pressure: |
| Sound pressure (L_{pA}) 76 dB(A), uncertainty (K) 3 dB(A) |
| Sound power (L_{WA}) 95 dB(A), uncertainty (K) 3 dB(A) |
| Vibration total values (triax vector sum) according to EN 13684: |
| Vibration emission value (a_{Hv}) <2.5 m/s ² , uncertainty (K) 1.5 m/s ² |

EC declaration of conformity

MACHINERY DIRECTIVE
OUTDOOR NOISE DIRECTIVE



GD300, GD300X

Black & Decker declares that these products described under "technical data" are in compliance with:

2006/42/EC
EN60335-1, EN60335-2-92

2000/14/EC, Scarifier, Annex V,

Level of sound power according to 2000/14/EC (Article 13, Annex III):

L_{WA} (measured sound power) 95 dB(A)
Uncertainty = 3 dB(A)

L_{WA} (guaranteed sound power) 98 dB(A)
Uncertainty = 3 dB(A)

These products also comply with Directive 2004/108/EC and 2011/65/EU

For more information, please contact Black & Decker at the following address or refer to the back of the manual.

The undersigned is responsible for compilation of the technical file and makes this declaration on behalf of Black & Decker.

Kevin Hewitt
Vice-President Global Engineering
Black & Decker Europe, 210 Bath Road, Slough,
Berkshire, SL1 3YD
United Kingdom
29/10/2012

Guarantee

Black & Decker is confident of the quality of its products and offers an outstanding guarantee. This guarantee statement is in addition to and in no way prejudices your statutory rights. The guarantee is valid within the territories of the Member States of the European Union and the European Free Trade Area.

If a Black & Decker product becomes defective due to faulty materials, workmanship or lack of conformity, within 24 months from the date of purchase, Black & Decker guarantees to replace defective parts, repair products subjected to fair wear and tear or replace such products to make sure of the minimum inconvenience to the customer unless:

- ◆ The product has been used for trade, professional or hire purposes.
- ◆ The product has been subjected to misuse or neglect.
- ◆ The product has sustained damage through foreign objects, substances or accidents.
- ◆ Repairs have been attempted by persons other than authorised repair agents or Black & Decker service staff.

To claim on the guarantee, you will need to submit proof of purchase to the seller or an authorised repair agent. You can check the location of your nearest authorised repair agent by contacting your local Black & Decker office at the address indicated in this manual. Alternatively, a list of authorised Black & Decker repair agents and full details of our after-sales service and contacts are available on the Internet at:

www.2helpU.com

Please visit our website **www.blackanddecker.co.uk** to register your new Black & Decker product and to be kept up to date on new products and special offers. Further information on the Black & Decker brand and our range of products is available at **www.blackanddecker.co.uk**.

Bestimmungsgemäße Verwendung

Der Black & Decker Rasenlüfter wurde zum Belüften von Rasen und Beseitigen von Unrat, Stroh, Moos und Unkraut entwickelt. Dieses Gerät ist nicht für den gewerblichen Einsatz vorgesehen.

Sicherheitshinweise

Achtung! Beachten Sie beim Umgang mit netzstrombetriebenen Geräten stets die grundlegenden Sicherheitshinweise, die im Folgenden beschrieben werden. Dadurch verhindern Sie Brände, Stromschläge und Personenschäden.

- ◆ Lesen Sie diese Anleitung vollständig und aufmerksam durch, bevor Sie das Gerät zum ersten Mal verwenden.
- ◆ Informieren Sie sich vor der Verwendung des Gerätes, wie Sie es im Notfall ausschalten können.
- ◆ Heben Sie diese Anleitung auf.

Schulung

- ◆ Lesen Sie die Bedienungsanleitung sorgfältig durch. Machen Sie sich mit den Bedienelementen und dem ordnungsgemäßen Gebrauch des Gerätes vertraut.
- ◆ Das Gerät darf nicht von Personen genutzt werden, die die vorliegende Anleitung nicht gelesen haben. Das Gerät darf nicht von Kindern genutzt werden. Beachten Sie lokale Richtlinien, in denen unter Umständen ein Mindestalter für den Bediener festgelegt ist.
- ◆ Andere Personen, insbesondere Kinder, und Haustiere sollten immer einen Sicherheitsabstand einhalten.
- ◆ Der Bediener ist für eventuelle Personen- oder Sachschäden verantwortlich.

Vorbereitungen

- ◆ Tragen Sie stabile Schuhe oder Stiefel, um Ihre Füße zu schützen. Betreiben Sie dieses Gerät nie mit offenen Sandalen oder bloßen Füßen. Tragen Sie lange Hosen, um Ihre Beine zu schützen.
- ◆ Tragen Sie eine Schutzbrille, wenn Sie mit dem Gerät arbeiten. Verwenden Sie eine Atemschutz- oder Staubmaske, wenn Sie in einer staubigen Umgebung arbeiten. Wenn der Schallpegel eine unangenehme Stärke erreicht, sollten Sie einen Gehörschutz tragen.
- ◆ Schützen Sie sich vor einem Stromschlag. Vermeiden Sie Körperkontakt mit geerdeten Gegenständen (z. B. Metallgeländern, Laternenpfählen usw.).
- ◆ Überprüfen Sie vor Beginn der Arbeit, ob die vor Ihnen liegende Strecke frei von Hölzern, Steinen, Kabeln oder anderen Objekten ist.

Betrieb

- ◆ Betreiben Sie das Gerät nie mit defekten oder ohne Schutzvorrichtungen, wie z. B. Deflektoren und oder Grasfangbeutel.
- ◆ Betreiben Sie das Gerät nur bei Tageslicht oder bei angemessener Beleuchtung.
- ◆ Schützen Sie das Gerät vor Feuchtigkeit. Betreiben Sie das Gerät nie in feuchter Witterung. Vermeiden Sie es, das Gerät auf feuchtem Rasen zu betreiben.
- ◆ Achten Sie auf Trittsicherheit, insbesondere bei Arbeiten an Hängen. Achten Sie darauf, dass frisch gemähtes Gras feucht und rutschig sein kann. Arbeiten Sie nie an steilen Hängen.
- ◆ Schieben Sie das Gerät immer parallel zum Hang und nie den Hang hinauf oder herunter. Arbeiten Sie mit äußerster Vorsicht, wenn Sie an Hängen die Richtung wechseln.
- ◆ Laufen Sie nie mit diesem Gerät. Ziehen Sie das Gerät nicht zu sich heran. Gehen Sie mit dem Gerät nie rückwärts.
- ◆ Schalten Sie das Gerät den Anweisungen entsprechend ein. Halten Sie unbedingt einen Sicherheitsabstand zu den Messern ein.
- ◆ Kippen Sie das Gerät beim Anschalten nicht. Einige Geräte müssen allerdings zum Starten gekippt werden. Kippen Sie das Gerät in diesem Fall nicht mehr als nötig. Kippen Sie das Gerät immer von sich weg. Bringen Sie beide Hände in die Betriebsposition, bevor Sie das Gerät wieder auf den Boden setzen.
- ◆ Schalten Sie bei folgenden Situationen das Gerät immer aus, und warten Sie, bis die Messerreihen zum Stillstand gekommen sind: wenn das Gerät für den Transport gekippt werden muss, wenn Sie Flächen überqueren, die nicht Rasen sind, und wenn Sie das Gerät zu der zu lüftenden Fläche oder von dort weg transportieren.
- ◆ Warten Sie stets, bis die Messerreihen vollständig zum Stillstand gekommen sind, bevor Sie das Gerät anheben oder tragen.
- ◆ Halten Sie mit Händen und Füßen ausreichend Sicherheitsabstand zu den Messerreihen. Halten Sie Hände oder Füße nie in die Nähe von oder unter rotierende Geräteteile.
- ◆ Halten Sie jederzeit einen Sicherheitsabstand zu den Auswurföffnungen.
- ◆ Schalten Sie das Gerät ab, trennen Sie es von der Stromversorgung, und stellen Sie sicher, dass alle beweglichen Teile zum Stillstand gekommen sind, bevor Sie das Gerät unbeaufsichtigt stehen lassen, reinigen, inspizieren, Geräteteile austauschen oder eine Blockade entfernen.

- ◆ Wenn das Gerät ungewöhnlich vibriert oder über einen Fremdkörper gefahren ist, schalten Sie das Gerät aus, und trennen Sie es von der Stromversorgung. Überprüfen Sie das Gerät auf Beschädigungen.
- ◆ Achten Sie darauf, dass das Stromkabel nicht in die Messer gerät. Achten Sie immer auf die Lage des Stromkabels.
- ◆ Der Motor läuft nach dem Abschalten einige Sekunden lang weiter. Versuchen Sie nie, die Messer mit Gewalt zum Stillstand zu bringen.

Wartung und Aufbewahrung

- ◆ Prüfen Sie das Gerät vor der Verwendung auf beschädigte oder defekte Teile. Überprüfen Sie, ob bewegliche Teile falsch ausgerichtet oder falsch angebracht und ob Teile, Schutzvorrichtungen oder Schalter beschädigt sind. Achten Sie auch auf andere Beschädigungen, die den Betrieb des Gerätes beeinträchtigen können. Stellen Sie sicher, dass das Gerät ordnungsgemäß funktioniert. Betreiben Sie das Gerät nie, wenn Schutzvorrichtungen oder Abdeckungen beschädigt oder nicht vorhanden sind. Betreiben Sie das Gerät nicht, wenn Teile beschädigt oder defekt sind. Betreiben Sie das Gerät nicht, wenn der Schalter zum Ein- und Ausschalten nicht funktioniert. Lassen Sie beschädigte oder defekte Teile in einer Vertragswerkstatt reparieren oder austauschen.
- ◆ Überprüfen Sie das Kabel regelmäßig auf Beschädigungen. Wenn das Kabel beschädigt ist, muss es in einer Vertragswerkstatt repariert oder ausgetauscht werden. Es könnte sonst zu Unfällen kommen. Überprüfen Sie Verlängerungskabel regelmäßig auf Beschädigungen. Ersetzen Sie ein beschädigtes Verlängerungskabel umgehend.
- ◆ Ziehen Sie alle Muttern, Bolzen und Schrauben am Gerät fest, damit das Gerät sicher arbeitet.
- ◆ Überprüfen Sie den Grasfangbeutel regelmäßig auf Abnutzung oder Beschädigungen. Ersetzen Sie den Fangbeutel, wenn nötig. Betreiben Sie das Gerät nie ohne Fangbeutel.
- ◆ Bewahren Sie das Gerät bei Nichtgebrauch an einem trockenen Ort auf. Kinder sollten keinen Zugang zu aufbewahrten Geräten haben.
- ◆ Stellen Sie sicher, dass Ersatzmesser dem korrekten Typ entsprechen.
- ◆ Verwenden Sie nur Ersatz- und Zubehörteile, die von Black & Decker empfohlen wurden.

Sicherheit anderer Personen

- ◆ Dieses Gerät darf nicht von Personen (einschließlich Kindern) mit eingeschränkten körperlichen, sensorischen oder geistigen Fähigkeiten sowie

mangelnder Erfahrung und Wissen in Bezug auf dessen Gebrauch bedient werden, es sei denn, sie werden bei der Verwendung des Geräts von einer für die Sicherheit verantwortlichen Person beaufsichtigt oder angeleitet.

- ◆ Kinder müssen beaufsichtigt werden, um sicherzustellen, dass sie nicht mit dem Gerät spielen.

Warnsymbole

Am Gerät sind die folgenden Warnsymbole angebracht:



Lesen Sie die Bedienungsanleitung vor Inbetriebnahme.



Schützen Sie das Gerät vor Feuchtigkeit und Regen.



Halten Sie Zuschauer aus dem Gefahrenbereich fern.



Achten Sie auf die scharfen Messer. Die Messer rotieren nach Abschalten des Motors einige Sekunden lang weiter. Trennen Sie das Gerät von der Stromversorgung, bevor Sie mit Wartungsarbeiten beginnen oder wenn das Stromkabel beschädigt ist.



Achten Sie darauf, dass das Stromkabel nicht in die Messer gerät.

Die Messer rotieren nach Abschalten des Geräts einige Sekunden lang weiter.

Elektrische Sicherheit



Dieses Gerät ist schutzisoliert, daher ist keine Erdleitung erforderlich. Überprüfen Sie immer, ob die Netzspannung der auf dem Typenschild des Gerätes angegebenen Spannung entspricht.

- ◆ Ist das Netzkabel beschädigt, muss es durch den Hersteller oder eine Black & Decker Vertragswerkstatt ausgetauscht werden, um eine mögliche Gefährdung zu vermeiden.
- ◆ Die elektrische Sicherheit lässt sich durch Verwendung eines Fehlerstromschutzschalters (30 mA) erhöhen.

Verwenden eines Verlängerungskabels

Verwenden Sie nur geprüfte Verlängerungskabel, die für die Leistungsaufnahme dieses Gerätes ausgelegt sind (siehe „Technische Daten“). Das Verlängerungskabel muss für die Verwendung im Außenbereich geeignet und entsprechend markiert sein. Es kann ein 1,5 mm²-H05V V-F-

Verlängerungskabel mit einer Länge von bis zu 30 m verwendet werden, ohne dass die Leistung des Geräts beeinträchtigt wird. Prüfen Sie vor der Inbetriebnahme das Netzkabel auf Verschleiß und Beschädigungen. Wechseln Sie beschädigte oder fehlerhafte Verlängerungskabel aus. Beim Verwenden einer Kabeltrommel muss das Kabel stets vollständig abgewickelt sein.

Merkmale

1. Grasfangbeutel
2. Motorabdeckung
3. Schaltkasten
4. Einschaltsperr
5. Hebelschalter

Montage

Achtung! Vergewissern Sie sich vor der Montage, dass das Gerät ausgeschaltet und von der Stromversorgung getrennt ist.

Anbringen des oberen Teils des Handgriffs (Abb. A)

- ◆ Achten Sie vor der Montage darauf, dass die Kabelführung am oberen Teil des Handgriffs angebracht ist.
- ◆ Setzen Sie den unteren (7) und den oberen Teil (6) des Handgriffs zusammen. Verwenden Sie dabei die Verriegelungsköpfe (10), die Unterlegscheiben (9) und die Schrauben (8) wie abgebildet.

Anbringen des unteren Teils des Handgriffs (Abb. C)

- ◆ Setzen Sie die Enden des unteren Handgriffs (7) in die entsprechenden Aussparungen am Gerät ein.
- ◆ Drücken Sie den Handgriff so weit wie möglich nach unten.
- ◆ Sichern Sie den Handgriff mit Schrauben (12).

Fixieren des Kabels (Abb. B)

Das Motorkabel muss mit den Kabelhaltern fixiert werden.

- ◆ Bringen Sie einen der Kabelhalter (11) am Kabel an, das vom Schaltkasten (3) zum Motor führt. Fixieren Sie den Halter am unteren Teil des Handgriffs (7).
- ◆ Bringen Sie den anderen Kabelhalter (11) am Kabel an, das vom Schaltkasten (3) zum Motorstecker führt.

Achtung! Sichern Sie das Stromkabel mit der Kabelführung, bevor Sie den Netzstecker in die Steckdose stecken.

Anbringen des Grasfangbeutels (Abb. D)

- ◆ Bringen Sie den Rasenlüfter in die Arbeitsposition, und stecken Sie den Grasfangbeutel (1) in die Haltevorrichtung an der Vorderseite des Rasenlüfters.

Höheneinstellung des Rasenlüfters (Abb. E)

Für den Rasenlüfter können drei Höheneinstellungen festgelegt werden: tief, mittel und hoch. Die Höhe lässt sich durch Drehen des dreistufigen Höhenfeststellers, der sich an der hinteren Rolle (13) befindet, auswählen.

- ◆ Drücken Sie am Höhenfeststeller auf den Verriegelungsknopf, und drehen Sie den Höhenfeststeller in eine der drei verfügbaren Positionen (siehe Abb. E). Lassen Sie den Verriegelungsknopf los, wenn die gewünschte Position erreicht ist, so dass dieser am Gehäuse des Geräts (2) einrastet.
- ◆ Die drei Positionen sind seitlich am Gehäuse des Rasenlüfters durch eine Markierung gekennzeichnet (siehe Abb. E).

Folgende Höheneinstellungen sind möglich:

- ◆ **Tiefste Einstellung (1).** Verwenden Sie diese Einstellung, um den Rasen kräftig zu lüften. In dieser Einstellung entfernt der Rasenlüfter Schmutz und Stroh vom Rasengrund. Auch Moos und Unkraut werden in dieser Einstellung entfernt.
- ◆ **Mittlere Einstellung (2).** Verwenden Sie diese Einstellung, um den Rasen mittelstark zu lüften. Diese Einstellung ist für die meisten Rasentypen geeignet.
- ◆ **Höchste Einstellung (3).** Mit dieser Einstellung wird der Rasen leicht gelüftet und gekehrt. Diese Einstellung kann auch zum Anheben von niedergedrücktem Rasen und von kriechenden Ausläufern sowie Unkrautarten wie Klee verwendet werden. Diese Einstellung (leichter Belüftungs-/Kehrmodus) ist ideal zum Einsammeln von Laub und liegegebliebenem Schnittgras geeignet.

Restrisiken

Für den Gebrauch dieses Geräts verbleiben zusätzliche Restrisiken, die möglicherweise nicht in den Sicherheitswarnungen genannt werden. Diese Risiken bestehen beispielsweise bei Missbrauch oder längerem Gebrauch.

Auch bei der Einhaltung der entsprechenden Sicherheitsvorschriften und der Verwendung aller Sicherheitsgeräte bestehen weiterhin bestimmte Restrisiken. Diese werden im Folgenden aufgeführt:

- ◆ Verletzungen, die durch das Berühren von sich drehenden/bewegenden Teilen verursacht werden.
- ◆ Verletzungen, die durch das Austauschen von Teilen, Messern oder Zubehör verursacht werden.
- ◆ Verletzungen, die durch längeren Gebrauch eines Geräts verursacht werden. Legen Sie bei längerem Gebrauch regelmäßige Pausen ein.
- ◆ Beeinträchtigung des Gehörs.
- ◆ Gesundheitsrisiken durch das Einatmen von Staub beim Gebrauch des Geräts (Beispielsweise bei Holzarbeiten, insbesondere Eiche, Buche und Pressspan).

Gebrauch

Ein- und Ausschalten

Einschalten

- ◆ Halten Sie den Handgriff mit beiden Händen fest, und drücken Sie ihn leicht nach unten, um die Vorderseite des Geräts leicht anzuheben.
- ◆ Drücken Sie die Einschaltsperrleiste (4), und ziehen Sie den Hebelschalter in Ihre Richtung (5).
- ◆ Lassen Sie die Einschaltsperrleiste (4) los.
- ◆ Bringen Sie das Gerät wieder in die Arbeitsposition.

Ausschalten

- ◆ Lassen Sie zum Ausschalten des Geräts den Hebelschalter (5) los.

Versuchen Sie niemals, einen Schalter in seiner Einschaltstellung zu arretieren.

Achtung! Beschleunigen Sie den Arbeitsvorgang nicht mit Gewalt. Vermeiden Sie eine Überlastung des Gerätes.

Zur richtigen Pflege des Rasens genügt es nicht, den Rasen im Sommer einmal pro Woche zu mähen. Kräftiges Belüften des Rasens entfernt abgestorbene Pflanzen, Moos und Unkraut, die den Rasen sonst unschön erscheinen lassen. Sammelt sich abgestorbenes Gras an, bildet sich eine Filzschicht, die das Eindringen von Wasser in den Boden verhindert. Wenn diese Filzschicht lange wassergetränkt bleibt, entwickeln sich leicht Grasskrankheiten, und gesundes Wurzelschlagen wird verhindert.

- ◆ Platzieren Sie die Steckdose des Verlängerungskabels auf dem Rasen nahe der Startposition (Abb. F, Position 1).
- ◆ Halten Sie den Handgriff mit beiden Händen. Halten Sie das Verlängerungskabel am oberen Abschnitt in derjenigen Hand, die den Hebelschalter nicht betätigt.

Achtung! Versuchen Sie nicht den Rasenlöffel mit einer Hand zu bedienen. Sie müssen das Gerät mit beiden Händen lenken.

- ◆ Schalten Sie das Gerät ein wie oben beschrieben.
- ◆ Beginnen Sie bei Position 1 und bewegen Sie sich in Richtung von Position 2. Wenden Sie nach rechts, wenn Sie Position 2 erreicht haben, und gehen Sie in Richtung von Position 3. Gehen Sie weiter bis zum Ende der zu bearbeitenden Rasenfläche, wenden Sie nach links, und gehen Sie in Richtung von Position 4.
- ◆ Setzen Sie den Vorgang fort, wie in der linken Darstellung veranschaulicht. Achten Sie darauf, dass Sie stets vom Kabel weg arbeiten. Gehen Sie nicht so vor, wie in der rechten Darstellung veranschaulicht. Das Arbeiten zum Kabel hin ist gefährlich.

Nach Gebrauch des Rasenlöffels sollten Sie allen Schmutz vom Gerät entfernen, bevor Sie dieses lagern. Siehe hierzu den Abschnitt „Wartung“.

Hinweis: Um ein optimales Ergebnis zu erreichen, sollten Sie Ihren Rasen regelmäßig belüften, jedoch nicht, wenn das Gras feucht ist.

- ◆ Wenn Sie mit dem Rasenlöffel über den Rasenrand geraten, drücken Sie den Handgriff herunter, damit die Räder nicht über die Rasenrand hinaus fahren.
- ◆ Um die effektive Lebenszeit der Messerreihen zu verlängern, entfernen Sie losen Unrat oder Steine von der zu bearbeitenden Rasenfläche.

Achtung! Schließen Sie keine beschädigten Kabel an das Stromnetz an. Berühren Sie beschädigte Kabel nicht, solange diese mit dem Stromnetz verbunden sind. Bei beschädigten Kabeln kann es zu Kontakt mit stromführenden Teilen kommen.

Achtung! Berühren Sie die Messer nicht, solange das Gerät mit der Stromversorgung verbunden ist und die Messer sich noch drehen.

Achtung! Kinder müssen beaufsichtigt werden, um sicherzustellen, dass sie nicht mit dem Gerät spielen.

Achtung! Dieses Gerät darf nicht von Personen (einschließlich Kindern) mit eingeschränkter körperlicher, sensorischer oder geistiger Fähigkeiten sowie mangelnder Erfahrung und Wissen in Bezug auf dessen Gebrauch bedient werden, es sei denn, sie werden bei der Verwendung des Geräts von einer erfahrenen Person beaufsichtigt oder angeleitet.

Hinweise für optimale Funktion

Bearbeiten Sie mit dem Rasenlöffel keine Flächen, auf denen das Gras zu lang gewachsen ist. Sie sollten den Rasenlöffel nicht auf Rasenflächen nutzen, auf denen das Gras über 75 mm lang ist.

- ◆ Verwenden Sie das Gerät nicht in nassen oder feuchten Umgebungen.
- ◆ Um ein optimales Ergebnis zu erreichen, sollten Sie den Rasenlöffel regelmäßig einsetzen. Wir empfehlen Ihnen den Rasenlöffel zu Beginn und am Ende jeder Rasenmähsaison einzusetzen, damit Ihr Rasen gut aufgelockert wird. Der Rasenlöffel sollte auch nach jedem Rasenschnitt verwendet werden, um liegende gebliebenes Schnittgras zu entfernen.
- ◆ Arbeiten Sie mit dem Rasenlöffel zunächst in eine Richtung. Arbeiten Sie danach im rechten Winkel dazu. Die Grasfläche wird dadurch eventuell karg erscheinen, wird sich aber schnell wieder erholen.

Wartung

Ihr Black & Decker Gerät wurde im Hinblick auf eine lange Lebensdauer und einen möglichst geringen Wartungsaufwand entwickelt. Ein dauerhafter, einwandfreier Betrieb setzt eine regelmäßige Pflege und Reinigung voraus.

- ◆ Bewahren Sie das Gerät sauber und trocken auf.

- ◆ Reinigen Sie die Lüftungsschlitze regelmäßig mit einem sauberen, trockenen Pinsel.
- ◆ Entfernen Sie mit einem stumpfen Schaber regelmäßig Grass und Schmutz vom Gerät.
- ◆ Reinigen Sie das Gerät ausschließlich mit milder Seifenlösung und einem angefeuchteten Tuch. Achten Sie darauf, dass keine Flüssigkeit in das Gerät gelangt. Tauchen Sie kein Teil des Gerätes in Flüssigkeit ein. Verwenden Sie keine scheuernden Reinigungsmittel oder Reinigungsmittel auf Lösungsmittelbasis.

Problembehebung

Wenn das Gerät nicht richtig zu funktionieren scheint, beachten Sie die nachfolgenden Hinweise. Sollte sich das Problem nicht lösen lassen, wenden Sie sich an eine Black & Decker Vertragswerkstatt in Ihrer Nähe.

Achtung! Entfernen Sie zuallererst den Netzstecker aus der Steckdose.

Der Motor läuft, aber die Messerreihe bewegt sich nicht.

- ◆ Entfernen Sie vorsichtig alle Fremdkörper von den Messern.

Es ist kein Betriebsgeräusch zu hören, und die Messerreihen bewegen sich nicht.

- ◆ Überprüfen Sie, ob alle Stromkabel ordnungsgemäß angeschlossen sind.
- ◆ Prüfen Sie die Netzsicherungen.

Umweltschutz



Getrennte Entsorgung. Dieses Produkt darf keinesfalls mit dem Hausmüll entsorgt werden.

Wenn Sie das Gerät durch ein neues Gerät ersetzen möchten oder keine Verwendung mehr dafür haben, entsorgen Sie es als Sondermüll und nicht zusammen mit Ihrem Hausmüll.



Durch die separate Sammlung von ausgedienten Produkten und Verpackungsmaterialien können Rohstoffe recycelt und wieder verwendet werden. Die Wiederverwendung aufbereiteter Materialien trägt zur Vermeidung der Umweltverschmutzung bei und senkt den Rohstoffbedarf.

Die Verordnung zur Abfallentsorgung Ihrer Gemeinde sieht möglicherweise vor, dass Elektrogeräte getrennt vom Hausmüll gesammelt, an der örtlichen Abfallentsorgungseinrichtung abgegeben oder beim Kauf eines neuen Produkts vom Fachhandel zur Entsorgung angenommen werden müssen.

Black & Decker nimmt Ihre ausgedienten Black & Decker Geräte gern zurück und sorgt für eine umweltfreundliche Entsorgung bzw. Wiederverwertung. Um diese Dienstleistung in Anspruch zu nehmen, geben Sie das Gerät bitte bei einer autorisierten Reparaturwerkstatt ab, die für uns die Einsammlung übernimmt.

Die Adresse der zuständigen Niederlassung von Black & Decker steht in dieser Anleitung. Diese teilt Ihnen gerne die nächstgelegene Vertragswerkstatt mit. Außerdem ist eine Liste der Vertragswerkstätten und aller Kundendienststellen von Black & Decker sowie der zuständigen Ansprechpartner im Internet zu finden unter: www.2helpU.com.

Technische Daten

| | GD300 TYP 1 | GD300X TYP 1 |
|-------------------|------------------------|-----------------|
| Spannung | VAC 230 | 230 |
| Leistungsaufnahme | W 600 | 500 |
| Leerlaufdrehzahl | min ⁻¹ 3000 | 3000 |
| Höheneinstellung | cm -2/3/8 | -2/3/8 |
| Gewicht | kg 7 | 7 |

Schalldruckpegel:

Schalldruck (L_{pA}) 76 dB(A), Unsicherheitsfaktor (K) 3 dB(A)

Schalleistung (L_{WA}) 85 dB(A), Unsicherheitsfaktor (K) 3 dB(A)

Gesamtvibration (Triax-Vektorsumme) gemäß EN 13684:

Vibrationsemissionswert (a_{Hv}) <2.5 m/s², Unsicherheitsfaktor (K) 1.5 m/s²

EU-Konformitätserklärung
 MASCHINENRICHTLINIE
 AUSSENLAUTSTÄRKERICHTLINIE



GD300, GD300X

Black & Decker erklärt, dass diese unter „Technische Daten“ beschriebenen Geräte übereinstimmen mit:

2006/42/EG
 EN60335-1, EN60335-2-92

2000/14/EC, Tiefaufreißer, Anhang V,

Schallpegel gemäß 2000/14/EG (Artikel 13, Anhang III)

L_{WA} (gemessene Schalleistung) 95 dB
 Unsicherheitsfaktor (K) 3 dB(A)
 L_{WA} (garantierte Schalleistung) 98 dB
 Unsicherheitsfaktor (K) 3 dB(A)

Diese Produkte entsprechen außerdem der Richtlinie 2004/108/EG und 2011/65/EU.
 Weitere Informationen erhalten Sie von

Black & Decker unter der folgenden Adresse. Diese befindet sich auch auf der Rückseite dieser Anleitung.

Der Unterzeichnete ist verantwortlich für die Zusammenstellung der technischen Daten und gibt diese Erklärung im Namen von Black & Decker ab.

Kevin Hewitt
 Vice-President Global Engineering
 Black & Decker Europe,
 210 Bath Road, Slough,
 Berkshire, SL1 3YD
 Großbritannien
 29/10/2012

Garantie

Black & Decker vertraut auf die Qualität der eigenen Geräte und bietet dem Käufer eine außergewöhnliche Garantie. Diese Garantiezusage versteht sich unbeschadet der gesetzlichen Gewährleistungsansprüche und schränkt diese keinesfalls ein. Sie gilt in sämtlichen Mitgliedsstaaten der Europäischen Union und der Europäischen Freihandelszone EFTA.

Tritt innerhalb von 24 Monaten ab Kaufdatum an einem Gerät von Black & Decker ein auf Material- oder Verarbeitungsfehler zurückzuführender Mangel auf, garantiert Black & Decker den Austausch defekter Teile, die Reparatur von Geräten mit üblichem Verschleiß bzw. den Austausch eines mangelhaften Gerätes, ohne dass dem Kunden dabei mehr als unvermeidlich Unannehmlichkeiten entstehen, allerdings vorbehaltlich folgender Ausnahmen:

- ◆ wenn das Gerät gewerblich, beruflich oder im Verleihgeschäft benutzt wurde;
- ◆ wenn das Gerät missbräuchlich verwendet oder mit mangelnder Sorgfalt behandelt wurde;
- ◆ wenn das Gerät durch Fremdeinwirkung beschädigt wurde;
- ◆ wenn ein unbefugter Reparaturversuch durch anderes Personal als das einer Vertragswerkstatt oder des Black & Decker Kundendienstes unternommen wurde.

Zur Inanspruchnahme dieser Garantie ist dem Verkäufer bzw. der Vertragswerkstatt ein Kaufnachweis vorzulegen. Die Adresse der zuständigen Niederlassung von Black & Decker steht in dieser Anleitung. Diese teilt Ihnen gerne die nächstgelegene Vertragswerkstatt mit. Außerdem ist eine Liste der Vertragswerkstätten und aller Kundendienststellen von Black & Decker sowie der zuständigen Ansprechpartner im Internet zu finden unter: **www.2helpU.com**.

Bitte besuchen Sie unsere Webseite **www.blackanddecker.de**, um Ihr neues Black & Decker Produkt zu registrieren. Dort erhalten Sie auch Informationen über neue Produkte und Sonderangebote. Weitere Informationen über die Marke Black & Decker und unsere Produkte finden Sie unter **www.blackanddecker.de**.

Utilisation

Votre scarificateur Black & Decker permet d'ameublir le sol en éliminant la couche de chaume, les débris, la mousse et les mauvaises herbes qui peuvent endommager la pelouse. Cet outil a été conçu pour une utilisation exclusivement domestique.

Consignes de sécurité

Attention ! De simples précautions sont à prendre pour l'utilisation d'outils branchés au secteur. Les conseils suivants doivent toujours être respectés, ceci afin de réduire le risque d'incendie, les chocs électriques et les blessures personnelles.

- ◆ Lisez attentivement et entièrement le manuel avant d'utiliser l'outil.
- ◆ Avant d'utiliser l'outil, apprenez à l'arrêter en cas d'urgence.
- ◆ Gardez ce manuel pour référence ultérieure.

Apprentissage

- ◆ Lisez attentivement ces instructions. Familiarisez-vous avec les commandes et la manière appropriée d'utiliser l'outil.
- ◆ Ne laissez pas les enfants ou toute autre personne n'ayant pas connaissance de ces instructions, utiliser l'appareil. Certaines réglementations locales mentionnent un âge limite de l'utilisateur.
- ◆ Ne laissez personne, surtout les enfants, ou les animaux s'approcher de l'outil pendant l'utilisation.
- ◆ N'oubliez pas que l'utilisateur est tenu pour responsable des accidents ou des situations dangereuses survenant sur autrui ou sur leurs biens.

Préparation

- ◆ Portez des chaussures épaisses pour protéger vos pieds. L'outil ne doit pas être utilisé si vous portez des sandales ou si vous êtes pieds nus. Portez un pantalon pour protéger vos jambes.
- ◆ Portez toujours des lunettes de sécurité pour utiliser cet outil. Utilisez une protection faciale ou un masque si l'environnement est poussiéreux. Portez des protections auditives si le niveau sonore semble trop élevé.
- ◆ Protégez-vous contre les chocs électriques. Évitez de toucher des surfaces reliées à la terre (par exemple, les grillages métalliques, les lampadaires, etc.).
- ◆ Avant de commencer, retirez les bâtons, cailloux, câbles et autres corps étrangers de la zone de ratissage.

Utilisation

- ◆ N'utilisez jamais l'appareil avec des protections défectueuses ou sans dispositif de protection, comme les déflecteurs et/ou le sac de ramassage.
- ◆ Utilisez cet outil uniquement dans la journée ou avec un éclairage artificiel approprié.
- ◆ N'utilisez pas l'outil sous la pluie. Ne l'exposez pas à l'humidité. Il est préférable de ne pas l'utiliser si le gazon est humide.
- ◆ Faites attention à votre position, surtout dans les pentes. N'oubliez pas que l'herbe fraîchement coupée est glissante. Ne travaillez pas sur des pentes trop raides.
- ◆ Ne travaillez jamais de haut en bas. Prenez toutes les précautions nécessaires quand vous changez de direction dans la pente.
- ◆ Ne jamais courir en poussant l'outil, marchez. Ne poussez pas l'outil vers vous. Ne marchez pas en arrière en utilisant l'outil.
- ◆ Mettez l'outil en marche en suivant les instructions et en éloignant vos pieds des dents.
- ◆ N'inclinez pas l'outil en le mettant en marche, sauf s'il doit être incliné pour le démarrage. Dans ce cas, ne l'inclinez pas plus que nécessaire et ne levez que la partie éloignée de l'utilisateur. Vos mains doivent être en position pour le fonctionnement avant de reposer l'outil au sol.
- ◆ Éteignez l'outil. Attendez que les dents s'arrêtent si l'outil a été incliné pour traverser une surface autre que de la pelouse et pendant le transport vers et depuis la zone à ratisser.
- ◆ Ne levez pas ou ne portez pas l'outil avant l'arrêt complet des dents.
- ◆ Éloignez vos mains et vos pieds des dents. Ne posez pas vos mains ou vos pieds à côté ou sous les parties en mouvement.
- ◆ Gardez-les en permanence éloignés des ouvertures d'évacuation.
- ◆ Vous devez arrêter l'outil, débrancher la prise et vérifier que les parties en mouvement ne sont plus en rotation avant de laisser l'outil sans surveillance et de changer, nettoyer ou vérifier des pièces de l'outil ou encore de le débloquer.
- ◆ Si l'outil commence à vibrer de manière anormale ou si vous touchez un corps étranger, éteignez-le et débranchez la prise. Vérifiez si l'outil est endommagé.
- ◆ Prenez les précautions nécessaires pour que le câble de secteur soit éloigné des dents. Vérifiez toujours la position du câble.
- ◆ Le moteur continue de tourner pendant quelques secondes après avoir éteint l'outil. N'arrêtez jamais les dents de force.

Entretien et rangement

- ◆ Avant l'utilisation, vérifiez si l'appareil est en bon état ou si aucune pièce ne manque. Vérifiez que les parties en mouvement fonctionnent correctement et qu'elles sont correctement placées. Vérifiez l'état des protections et des commandes. Vérifiez l'état général pour repérer ce qui pourrait nuire au bon fonctionnement. Vérifiez le fonctionnement de l'outil et ses différentes options. N'utilisez jamais l'outil quand une protection est endommagée ou mal installée. N'utilisez pas l'outil si une pièce est endommagée ou défectueuse. N'utilisez pas l'outil si la commande marche/arrêt est défectueuse. Faites réparer ou remplacer les pièces défectueuses ou endommagées par un réparateur agréé.
- ◆ Vérifiez régulièrement l'état du câble. Si le câble est endommagé, il doit être remplacé par un réparateur agréé pour éviter tout risque. Vérifiez régulièrement les rallonges. Remplacez immédiatement la rallonge si elle est en mauvais état.
- ◆ Les écrous, boulons et vis doivent être correctement vissés pour travailler en toute sécurité.
- ◆ Vérifiez l'état du sac de remplissage et changez-le si nécessaire. N'utilisez jamais l'appareil sans le sac de remplissage.
- ◆ Quand il n'est pas utilisé, l'outil doit être rangé dans un endroit sec. Une fois rangés, les outils ne doivent pas être accessibles aux enfants.
- ◆ Les organes de coupe utilisés doivent être appropriés.
- ◆ N'utilisez que des pièces de remplacement et des accessoires recommandés par Black & Decker.

Sécurité des personnes

- ◆ Cet appareil ne doit pas être utilisé par des personnes (y compris les enfants) ayant des déficiences physiques, mentales ou sensorielles. Cette consigne s'applique aussi aux personnes manquant d'expérience et de connaissance du matériel, à moins que celles-ci n'aient reçu les instructions appropriées ou qu'elles ne soient encadrées par une personne responsable de leur sécurité pour utiliser l'appareil.
- ◆ Ne laissez jamais les enfants sans surveillance pour éviter qu'ils ne jouent avec cet appareil.

Symboles d'avertissement

Les symboles d'avertissement suivants se trouvent sur l'outil :



Lisez le manuel avant de l'utiliser.

N'exposez pas l'appareil à la pluie ni à l'humidité.

Ne laissez personne s'approcher.

Attention, les dents peuvent être très aiguisées. Elles continuent de tourner après avoir coupé le moteur - débranchez la prise du secteur avant d'effectuer un entretien ou si le fil est endommagé.

Éloignez le câble des dents.

Les dents continuent de tourner après l'arrêt de la machine.

Sécurité électrique



Cet outil est doublement isolé; par conséquent, aucun câble de masse n'est nécessaire. Vérifiez si l'alimentation mentionnée sur la plaque signalétique de l'outil correspond bien à la tension présente sur le lieu.

- ◆ Si le câble d'alimentation est endommagé, il doit être remplacé par le fabricant ou par un Centre de réparation agréé Black & Decker pour éviter tout risque d'accident.
- ◆ Utilisez un dispositif de courant résiduel à grande sensibilité, 30 mA (RCD) pour améliorer la sécurité électrique.

Utilisation d'une rallonge

Utilisez toujours une rallonge correspondant à l'alimentation de cet outil (voir les données techniques). La rallonge doit pouvoir être utilisée à l'extérieur et homologuée pour le faire. Il est possible d'utiliser une rallonge HO5V V-F de 1,5 mm² sur une longueur allant jusqu'à 30 m tout en conservant les performances de la tondeuse. Avant l'utilisation, vérifiez l'état de la rallonge. Remplacez-la si elle est endommagée ou défectueuse. Si la rallonge est enroulée, elle doit toujours être déroulée complètement.

Caractéristiques

1. Sac de remplissage
2. Couverture du moteur
3. Boîtier de commande
4. Bouton de déblocage
5. Levier de commande

Assemblage

Attention ! Avant l'assemblage, assurez-vous que l'outil est éteint et débranché.

Assemblage de la poignée supérieure (figure A)

- ◆ Assurez-vous que la boucle du câble est sur la poignée supérieure avant l'assemblage.
- ◆ Fixez la partie inférieure de la poignée (7) à la partie supérieure (6) en utilisant les boudins (10), les rondelles (9) et les vis (8) comme indiqué.

Installation de la poignée inférieure (figure C)

- ◆ Insérez les extrémités de la poignée inférieure (7) dans les trous correspondant du scarificateur.
- ◆ Appuyez la poignée vers le bas aussi loin que possible.
- ◆ Fixez la poignée avec les vis (12).

Fixation du câble (figure B)

Le câble du moteur doit être fixé en utilisant les pattes de fixation.

- ◆ Accrochez la patte (11) sur le câble entre le boîtier de commande (3) et le moteur. Fixez la patte de fixation à la poignée inférieure (7).
- ◆ Accrochez l'autre patte (11) sur le câble entre le boîtier de commande (3) et la prise du moteur. Fixez la patte de fixation à la poignée supérieure (7).

Attention ! Vérifiez que les pattes maintiennent bien le câble avant de brancher la prise au secteur.

Installation du sac de remplissage (figure D)

- ◆ Avec le scarificateur en position de travail, placez le sac de remplissage (1) sur les axes à l'avant du scarificateur.

Hauteur des dents (figure E)

Il existe trois positions, la position basse, moyenne et haute. Pour les sélectionner, utilisez le bouton de réglage sur le rouleau arrière (13).

- ◆ Appuyez sur le bouton de verrouillage du bouton de réglage pour sélectionner la position souhaitée, comme indiqué figure E. Une fois la position atteinte, relâchez le bouton de verrouillage et laissez-le s'enclencher (2).
- ◆ Les trois positions sont signalées sur le côté du scarificateur comme l'indique la figure E.

Les trois positions sont les suivantes :

- ◆ **Basse (1).** Ce réglage convient si vous souhaitez ameublir énergiquement la pelouse. Il permet aux dents

de récupérer tous les débris et la couche de chaume à la base de votre pelouse, ainsi que la mousse et les mauvaises herbes.

- ◆ **Moyenne (2).** Ce réglage convient pour ameublir modérément votre pelouse. Il est adapté à la plupart des pelouses.
- ◆ **Haute (3).** Ce réglage convient pour un ratissage léger de votre pelouse. Il permet aussi de « redresser » le gazon et les stolons (tiges rampantes et mauvaises herbes comme le trèfle) afin de pouvoir tondre. Ce réglage est idéal pour le ramassage des feuilles mortes et de l'herbe après avoir tondu la pelouse.

Risques résiduels

L'utilisation d'un outil non mentionné dans les consignes de sécurité données peut entraîner des risques résiduels supplémentaires. Ces risques peuvent survenir si l'outil est mal utilisé, si l'utilisation est prolongée, etc.

Malgré l'application des normes de sécurité correspondantes et la présence de dispositifs de sécurité, les risques résiduels suivants ne peuvent être évités. Ceci comprend :

- ◆ Les blessures dues au contact avec une pièce mobile/ en rotation.
- ◆ Les blessures causées en changeant des pièces, lames ou accessoires.
- ◆ Les blessures dues à l'utilisation prolongée d'un outil. Une utilisation prolongée de l'outil nécessite des pauses régulières.
- ◆ Déficience auditive.
- ◆ Risques pour la santé causés par l'inhalation de poussières produites pendant l'utilisation de l'outil (exemple : travail avec du bois, surtout le chêne, le hêtre et les panneaux en MDF).

Utilisation

Démarrer et arrêter

Démarrage

- ◆ Maintenez la poignée avec les deux mains et inclinez-la légèrement vers le bas pour soulever l'avant du scarificateur.
- ◆ Appuyez sur le bouton de déblocage (4) et tirez le levier de commande (5) vers vous.
- ◆ Relâchez le bouton de déblocage (4).
- ◆ Reposez la machine en position de travail.

Arrêt

- ◆ Pour arrêter le scarificateur, relâchez le levier de commande (5).

N'essayez jamais de bloquer une commande en position marche.

Attention ! Laissez la machine fonctionner à sa propre vitesse. Ne poussez pas sa capacité.

Pour entretenir correctement une pelouse, il ne suffit pas de la tondre une fois par semaine en été. Un ameublissement vigoureux permettra d'éliminer les herbes mortes, la mousse et les mauvaises herbes. Les herbes mortes forment un tapis en s'accumulant qui empêche l'eau de s'infiltrer dans le sol. Si cette couche est saturée d'eau, votre pelouse risque d'être malade et le gazon aura du mal à prendre racine.

- ◆ Placez la longueur de la rallonge sur la pelouse, près du point de départ (figure F, position 1).
- ◆ Maintenez la poignée avec les deux mains et la partie supérieure de la rallonge dans la main qui n'actionne pas le levier.

Attention ! Ne tentez pas d'utiliser votre scarificateur avec une seule main – les deux mains sont indispensables pour le guider.

- ◆ Mettez en marche, comme décrit ci-dessus.
- ◆ Effectuez le ratissage de la position 1 à la position 2. Une fois la position 2 atteinte, tournez vers la droite et passez à la position 3. Continuez le ratissage jusqu'au bout, tournez à gauche et passez à la position 4.
- ◆ Continuez comme indiqué dans l'illustration de gauche, en prenant les précautions nécessaires pour toujours éloigner le câble. La méthode proposée sur l'illustration à droite est très dangereuse, car elle passe sur le câble. Elle ne doit en aucun cas être utilisée.

Une fois le ratissage terminé, nous vous recommandons de nettoyer tous les débris avant de ranger le scarificateur. Reportez-vous à la section « Entretien » de ce manuel.

Remarque : pour obtenir le meilleur résultat possible, ratissez régulièrement votre pelouse. Ne pas le faire quand celle-ci est humide.

- ◆ Quand le scarificateur passe sur le bord de la pelouse, appuyez la poignée vers le bas pour appuyer les roues.
- ◆ Pour prolonger la durée de vie des dents du scarificateur, nettoyez d'abord la pelouse en retirant les débris ou les cailloux.

Attention ! Ne branchez jamais un câble endommagé à l'alimentation. Ne touchez jamais un câble avant qu'il ne soit débranché de la prise. Un câble endommagé peut se trouver en contact avec des parties actives.

Attention ! Ne touchez pas les dents avant d'avoir débranché la machine et qu'elles ne soient complètement arrêtées.

Attention ! Les enfants doivent rester sous surveillance et en aucun cas ils ne doivent jouer avec cet outil.

Attention ! Cet outil ne peut être utilisé par des personnes (y compris des enfants) ayant des capacités mentales, sensorielles ou physiques réduites, ou celles manquant d'expérience et de connaissances, à moins qu'elles

ne soient encadrées ou qu'elles n'aient été formées à l'utilisation de l'appareil par une personne responsable de leur sécurité.

Conseils pour une utilisation optimale

Ne forcez pas sur les dents du scarificateur si l'herbe est trop longue. Si la hauteur de l'herbe est de 75 mm, n'utilisez pas le scarificateur.

- ◆ N'utilisez en aucun cas sous la pluie ou par temps humide.
- ◆ Pour obtenir le meilleur résultat, utilisez régulièrement votre scarificateur. Il est recommandé de l'utiliser au début et à la fin de chaque saison de coupe pour ameublir correctement votre pelouse. Il doit aussi être utilisé chaque fois que la pelouse est tondue pour retirer les restes d'herbe laissés au sol.
- ◆ Ratissez d'abord dans une direction, puis la fois suivante à angle droit. La pelouse peut sembler dépouillée et éparse mais elle reprendra rapidement.

Entretien

Votre outil Black & Decker a été conçu pour fonctionner pendant longtemps avec un minimum d'entretien. Un fonctionnement continu satisfaisant dépend d'un nettoyage régulier et d'un entretien approprié de l'outil.

- ◆ Maintenez l'outil propre et sec.
- ◆ Nettoyez régulièrement les orifices de ventilation à l'aide d'une brosse sèche et propre.
- ◆ Utilisez régulièrement un racloir pour retirer l'herbe et les saletés.
- ◆ Pour nettoyer l'outil, utilisez exclusivement du savon doux et un chiffon humide. Évitez toute pénétration de liquide dans l'outil et ne plongez aucune pièce dans du liquide. N'utilisez pas de produit abrasif ou à base de solvant.

Dépannage

Si l'outil ne fonctionne pas, suivez les instructions ci-dessous. Si le problème n'est pas résolu, veuillez contacter votre réparateur local Black & Decker.

Attention ! Avant de dépanner, retirez la fiche de la prise d'alimentation.

Le moteur tourne mais les dents ne bougent pas

- ◆ Retirez avec précautions les éléments qui peuvent bloquer les dents.

Aucun bruit et les dents ne bougent pas

- ◆ Vérifiez si les câbles d'alimentation sont correctement branchés.
- ◆ Vérifiez les fusibles.

Protection de l'environnement



Recyclage. Cet appareil ne doit pas être jeté avec les déchets ménagers.

Si votre appareil Black & Decker doit être remplacé ou si vous ne l'utilisez pas, ne le jetez en aucun cas avec les ordures ménagères. Mettez-le au rebut dans un centre de recyclage approprié.



La collecte séparée des produits et des emballages usagés permet de recycler et de réutiliser des matériaux. La réutilisation de matériaux recyclés évite la pollution de l'environnement et réduit la demande de matières premières.

Des réglementations locales peuvent stipuler la collecte séparée des produits électriques et des produits ménagers, dans des déchetteries municipales ou par le revendeur lorsque vous achetez un nouveau produit.

Black & Decker offre une solution de recyclage des produits Black & Decker lorsqu'ils ont atteint la fin de leur cycle de vie. Pour pouvoir profiter de ce service, veuillez retourner votre produit à un réparateur agréé qui se chargera de le collecter pour nous.

Pour connaître l'adresse du réparateur agréé le plus proche de chez vous, contactez le bureau Black & Decker à l'adresse indiquée dans ce manuel. Vous pourrez aussi trouver une liste de réparateurs agréés de Black & Decker et de plus amples détails concernant notre service après-vente sur le site Internet : www.2helpU.com.

Caractéristiques techniques

| | GD300 TYPE 1 | GD300X TYPE 1 |
|--------------------------|------------------------|------------------|
| Tension | Vca. 230 | 230 |
| Puissance absorbée | W 600 | 500 |
| Aucune vitesse de charge | min ⁻¹ 3000 | 3000 |
| Réglage de hauteur | cm -2/3/8 | -2/3/8 |
| Poids | kg 7 | 7 |

| |
|---|
| Niveau de pression sonore : |
| Pression sonore (L_{pA}) 76 dB(A), incertitude (K) 3 dB(A) |
| Puissance sonore (L_{WA}) 95 dB(A), incertitude (K) 3 dB(A) |
| Valeurs totales des vibrations (somme vectorielle triaxiale) selon la norme EN 13684: |
| Valeur d'émission de vibration (a_h) <2.5 m/s ² , incertitude (K) 1.5 m/s ² |

Déclaration de conformité CE

CONSIGNES DE MACHINERIE
CONSIGNES NUISANCES SONORES EXTÉRIEURES



GD300, GD300X

Black & Decker confirme que les produits décrits dans les « Données techniques » sont conformes aux normes :

2006/42/CE
EN60335-1, EN60335-2-92

2000/14/EC, Scarificateur, Annexe V,

Niveau de puissance sonore selon la norme 2000/14/CE (Article 13, Annexe III) :

L_{WA} (puissance sonore mesurée) 95 dB
incertitude (K) 3 dB(A)

L_{WA} (puissance sonore garantie) 98 dB
incertitude (K) 3 dB(A)

Ces produits sont conformes aux normes 2004/108/CE et 2011/65/UE.

Pour plus de détails, veuillez contacter Black & Decker à l'adresse suivante ou reportez-vous au dos du manuel.

Le soussigné est responsable des données de la fiche technique et fait cette déclaration au nom de Black & Decker.

Kevin Hewitt
Vice-President Global Engineering
Black & Decker Europe,
210 Bath Road, Slough,
Berkshire, SL1 3YD
Royaume-Uni
29/10/2012

Garantie

Black & Decker vous assure la qualité de ses produits et vous offre une garantie très étendue. Ce certificat de garantie est un document supplémentaire et ne peut en aucun cas se substituer à vos droits légaux. La garantie est valable sur tout le territoire des États Membres de l'Union Européenne et de la Zone de Libre Échange Européenne.

Si un produit Black & Decker s'avère défectueux en raison de matériaux en mauvais état, d'une erreur humaine, ou d'un manque de conformité dans les 24 mois suivant la date d'achat, Black & Decker garantit le remplacement des pièces défectueuses, la réparation des produits usés ou cassés ou remplace ces produits à la convenance du client, sauf dans les circonstances suivantes :

- ◆ Le produit a été utilisé dans un but commercial, professionnel, ou a été loué.
- ◆ Le produit a été mal utilisé ou avec négligence.
- ◆ Le produit a subi des dommages à cause de corps étrangers, de substances ou d'accidents.
- ◆ Des réparations ont été tentées par des techniciens ne faisant pas partie du service technique de Black & Decker.

Pour avoir recours à la garantie, il est nécessaire de fournir une preuve d'achat au vendeur ou à un réparateur agréé. Pour connaître l'adresse du réparateur agréé le plus proche de chez vous, contactez le bureau Black & Decker à l'adresse indiquée dans ce manuel. Vous pourrez aussi trouver une liste de réparateurs agréés de Black & Decker et de plus amples détails sur notre service après-vente sur le site Internet à l'adresse suivante : **www.2helpU.com**.

Visitez notre site Web **www.blackanddecker.fr** pour enregistrer votre nouveau produit Black & Decker et être informé des nouveaux produits et des offres spéciales. Pour plus d'informations concernant la marque Black & Decker et notre gamme de produits, consultez notre site **www.blackanddecker.fr**.

Uso previsto

Il rastrellatore elettrico Black & Decker è stato progettato per rastrellare prati ed eliminare detriti, feltro, muschio ed erbacce che possono sfigurare un prato. L'elettrotensile è stato progettato per un uso individuale.

Istruzioni di sicurezza

Attenzione! Quando si usano elettrotensili alimentati elettricamente, osservare sempre le normali precauzioni di sicurezza per ridurre il rischio di incendio, scosse elettriche e lesioni personali.

- ◆ Leggere attentamente il presente manuale prima di usare l'elettrotensile.
- ◆ Prima di usare l'elettrotensile, accertarsi di sapere come spegnerlo in caso d'emergenza.
- ◆ Conservare il presente manuale per futura consultazione.

Addestramento

- ◆ Leggere attentamente le istruzioni. Imparare bene i comandi e come usare in modo appropriato l'elettrotensile.
- ◆ Vietare l'uso dell'elettrotensile a bambini e ad adulti che non sono al corrente di queste istruzioni. I regolamenti locali in vigore potrebbero limitare l'età dell'operatore.
- ◆ Non usare mai l'elettrotensile se vi sono astanti, in modo particolare bambini, o animali domestici, nelle vicinanze.
- ◆ Ricordare che l'operatore è responsabile di eventuali rischi o incidenti che coinvolgono terzi o le loro cose.

Preparativi

- ◆ Indossare scarpe o stivali robusti per proteggere i piedi. Non usare l'elettrotensile quando si indossano sandali o si è a piedi nudi. Indossare calzoncini lunghi per proteggere le gambe.
- ◆ Indossare occhiali di sicurezza quando si usa l'elettrotensile. Usare una maschera antipolvere quando si lavora in ambienti polverosi. Indossare sempre delle otoprotezioni quando il livello sonoro diventa troppo alto.
- ◆ Fare attenzione alle scosse elettriche. Evitare il contatto con le superfici messe a terra (ad esempio guide metalliche, lampioni, ecc.).
- ◆ Prima di iniziare a lavorare, controllare che lungo il percorso da coprire non vi siano bastoncini, pietre e altri oggetti.

Funzionamento

- ◆ Non far mai funzionare l'elettrotensile con protezioni o scudi difettosi o senza di essi, ad esempio senza che i deflettori e/o il cesto raccogliherba siano montati.
- ◆ Usare l'elettrotensile solo alla luce del giorno o con una buona luce artificiale.
- ◆ Non esporre l'elettrotensile alla pioggia. Non usare l'elettrotensile in ambienti umidi o bagnati. È preferibile non usare l'elettrotensile quando l'erba è bagnata.
- ◆ Mantenere un buon equilibrio, in modo particolare sui pendii. Ricordare che l'erba appena tagliata è umida e scivolosa. Non lavorare su pendii ripidi.
- ◆ Lavorare trasversalmente su di un pendio e mai procedendo verticalmente in su e in giù. Prestare la massima attenzione quando si cambia direzione su di un pendio.
- ◆ Camminare e non correre mai mentre si utilizza l'elettrotensile. Non tirare l'elettrotensile verso sé stessi e non camminare all'indietro mentre lo si usa.
- ◆ Accendere l'elettrotensile seguendo le istruzioni e tenendo i piedi sempre ben lontani dai denti.
- ◆ Non inclinare l'elettrotensile quando lo si accende, ad eccezione di quando deve essere inclinato per l'avviamento. In tali casi, non inclinare l'elettrotensile più di quanto non sia assolutamente necessario e sollevare solo la parte che è lontana dall'operatore. Accertarsi sempre che entrambe le mani siano nella posizione operativa prima di riportare a terra l'elettrotensile.
- ◆ Spegnerlo l'elettrotensile e lasciare che i denti del rastrellatore si fermino se è necessario inclinare l'elettrotensile per trasportarlo quando si attraversano superfici non erbose e quando lo si trasporta da una zona da rastrellare all'altra.
- ◆ Non sollevare né trasportare l'elettrotensile fino a quando i denti non si sono completamente fermati.
- ◆ Tenere sempre piedi e mani ben lontani. Non infilare mani o piedi vicino o sotto alle parti in movimento.
- ◆ Tenersi sempre lontani dalle aperture di scarico.
- ◆ Spegnerlo l'elettrotensile, scollegare la spina dalla presa di corrente e accertarsi che le parti in movimento siano ferme prima di lasciarlo incustodito e prima di cambiare, pulire o ispezionare qualsiasi parte o di eliminare un'ostruzione.
- ◆ Se l'elettrotensile comincia a vibrare in modo anomalo o se si colpisce un oggetto estraneo, spegnerlo e scollegare la spina dalla presa di corrente. Controllare se l'elettrotensile ha subito danni.
- ◆ Prestare attenzione a tenere sempre lontano il cavo di alimentazione dai denti. Essere sempre consapevoli di dove si trova il cavo.

- ◆ Il motore continua a funzionare per alcuni secondi dopo lo spegnimento dell'elettrotensile. Non tentare mai di fermare a forza i denti.

Manutenzione e conservazione

- ◆ Prima dell'impiego, controllare che l'elettrotensile non sia danneggiato e non presenti parti difettose. Controllare che le parti in movimento non siano allineate male, inceppate o rotte, che protezioni e interruttori non siano danneggiati e che non sussistano altre condizioni che potrebbero compromettere il funzionamento. Accertarsi che l'elettrotensile funzioni correttamente ed esegua il proprio lavoro. Non usare mai l'elettrotensile se le protezioni o la scocca sono danneggiate o non sono montate. Non usare l'elettrotensile se alcune parti sono danneggiate o difettose. Non usare l'elettrotensile se l'interruttore di accensione non funziona correttamente. Far riparare o sostituire le parti danneggiate o difettose da un tecnico autorizzato.
- ◆ Controllare di frequente che il cavo non sia danneggiato. Se il cavo è danneggiato, farlo sostituire da un tecnico autorizzato per evitare pericoli. Ispezionare periodicamente le prolunghie. Sostituire immediatamente le prolunghie danneggiate.
- ◆ Verificare che dadi, bulloni e viti dell'elettrotensile siano sempre ben saldi per garantire delle condizioni di lavoro sicure.
- ◆ Controllare che il cesto raccoglierba non sia usurato o danneggiato e sostituirlo se necessario. Non usare mai l'elettrotensile senza il cesto raccoglierba montato.
- ◆ Quando non viene usato, riporre l'elettrotensile in un luogo asciutto. Gli elettrotensili non devono essere riposti alla portata dei bambini.
- ◆ Usare solo i ricambi di tipo corretto.
- ◆ Usare solo ricambi e accessori raccomandati da Black & Decker.

Sicurezza altrui

- ◆ Questo elettrotensile non è stato progettato per impiego da parte di persone (o bambini) portatrici di handicap fisici, psichici o sensoriali o che non abbiano la dovuta esperienza o conoscenza, a meno che non siano seguite o opportunamente istruite sul suo utilizzo da parte di una persona responsabile della loro sicurezza.
- ◆ Controllare che i bambini non giochino con l'elettrotensile.

Simboli di Attenzione

I seguenti simboli di attenzione sono stampigliati sull'elettrotensile.



Leggere il manuale prima dell'utilizzo.



Non esporre l'elettrotensile alla pioggia o a un'umidità intensa.



Mantenere distanti eventuali osservatori.



Fare attenzione ai denti aguzzi. I denti continuano a ruotare dopo lo spegnimento del motore; scollegare la spina dalla presa di corrente prima di eseguire la manutenzione o se il filo è danneggiato.



Tenere il cavo lontano dai denti del rastrellatore.



I denti continuano a ruotare dopo lo spegnimento del rastrellatore.

Sicurezza elettrica



Il doppio isolamento di cui è provvisto l'elettrotensile rende superfluo il filo di terra. Controllare sempre che l'alimentazione corrisponda alla tensione indicata sulla targhetta delle caratteristiche.

- ◆ In caso di danneggiamento del cavo di alimentazione, è necessario farlo riparare dal fabbricante o presso un centro assistenza Black & Decker autorizzato in modo da evitare eventuali pericoli.
- ◆ La sicurezza elettrica può essere ulteriormente aumentata utilizzando un dispositivo a corrente residua (RCD) ad alta sensibilità (30 mA).

Utilizzo di un cavo di prolunga

Usare sempre un cavo di prolunga di tipo omologato, idoneo all'assorbimento di corrente di questo elettrotensile (vedere i dati tecnici). Il cavo di prolunga deve essere idoneo per impiego all'esterno e deve essere opportunamente contrassegnato. È possibile usare un cavo di prolunga lungo fino a 30 m con diametro di 1,5 mm² H05V V-F senza perdita alcuna delle prestazioni del prodotto. Prima dell'impiego, ispezionare il cavo di prolunga per accertarsi

che non presenti segni di danni, usura o invecchiamento. Sostituire il cavo di prolunga se è danneggiato o difettoso. Se si usa un mulinello, svolgere sempre completamente il cavo.

Caratteristiche

1. Cesto raccoglierba
2. Coperchio motore
3. Gruppo interruttori
4. Pulsante di sicurezza
5. Leva di comando

Assemblaggio

Attenzione! Prima di montarlo assicuratevi che l'elettrotensile sia spento e disinserito.

Montaggio del manico superiore (fig. A)

- ◆ Accertarsi che il coppia fermacavo sia montato sul manico superiore prima dell'assemblaggio.
- ◆ Montare la parte inferiore del manico (7) su quella superiore (6) usando pomelli (10), rondelle (9) e viti (8) come illustrato.

Montaggio del manico inferiore (fig. C)

- ◆ Infilare le estremità del manico inferiore (7) nel corrispondente foro nel rastrellatore.
- ◆ Calzare completamente il manico.
- ◆ Fissare il manico con le viti (12).

Fissaggio del cavo (fig. B)

Il cavo del motore deve essere fissato per mezzo delle apposite fascette.

- ◆ Fissare una fascetta (11) sul cavo proveniente dal gruppo interruttori (3) e diretto al motore. Fissare la fascetta sul manico inferiore (7).
- ◆ Fissare l'altra fascetta (11) sul cavo diretto dal gruppo interruttori (3) alla spina del motore. Fissare la fascetta sul manico superiore (7).

Attenzione! Accertarsi che il cavo sia fissato con le fascette prima di collegare la spina alla presa di corrente.

Montaggio del cesto raccoglierba (fig. D)

- ◆ Con il rastrellatore elettrico nella posizione di lavoro, appoggiare il cesto raccoglierba (1) sulle linguette sul davanti del rastrellatore.

Regolazione dell'altezza del rastrellatore (fig. E)

I denti del rastrellatore possono essere regolati in tre posizioni diverse: bassa, media e alta. Esse sono selezionate modificando la posizione del regolatore dell'altezza a tre posizioni, situato sul rullo posteriore (13).

- ◆ Premere il pulsante di bloccaggio sul regolatore a tre altezze e ruotare il regolatore su una delle posizioni

disponibili come illustrato in fig. E. Una volta raggiunta la posizione richiesta, rilasciare il pulsante di bloccaggio e lasciare che si innesti nella scocca del rastrellatore (2).

- ◆ Le tre posizioni possono essere individuate dai contrassegni sul lato della scocca del rastrellatore come illustrato in fig. E.

Le tre posizioni del rastrellatore sono le seguenti:

- ◆ **Regolazione più bassa (1).** Deve essere usata quando si desidera rastrellare vigorosamente il prato. In questa posizione il rastrellatore rimuove detriti e feltro accumulatisi alla base dell'erba. Regolato in questa posizione, rimuove anche muschio ed erbacce.
- ◆ **Regolazione media (2).** Deve essere usata quando si desidera rastrellare mediamente il prato. Questa regolazione va bene per la maggioranza di prati.
- ◆ **Regolazione più alta (3).** In questa regolazione si rastrella e si spazza il prato. Il rastrellatore può anche essere usato in questa regolazione per "sollevare" l'erba appiattita e gli stoloni (gli steli striscianti di erba ed erbacce tipo il trifoglio) per poi poterli tagliare con il tagliaerba. Questa regolazione di rastrellatura leggera/spazzatura è ideale per le foglie cadute e per raccogliere lo sfalcio lasciato sul prato dopo il taglio dell'erba.

Rischi residui

Altri rischi residui che possono sorgere durante l'impiego dell'elettrotensile e che possono non essere stati contemplati dagli allegati avvisi di sicurezza. Tali rischi possono sorgere a seguito di un uso prolungato o improprio, ecc.

Perfino adottando gli appositi regolamenti di sicurezza e utilizzando i dispositivi di sicurezza, certi rischi residui non possono essere evitati. Essi comprendono:

- ◆ Lesioni causate o subite a seguito del contatto con parti rotanti/in movimento.
- ◆ Lesioni causate o subite durante la sostituzione di parti, lame o accessori.
- ◆ Lesioni causate dall'impiego prolungato di un elettrotensile. Quando si usa qualsiasi elettrotensile per lunghi periodi, accertarsi di fare regolarmente delle pause.
- ◆ Problemi di udito.
- ◆ Rischi per la salute causati dall'aspirazione di polvere generata dall'utilizzo dell'elettrotensile (ad esempio quando si lavora con il legno, in modo particolare quello di quercia, faggio o l'MDF).

Utilizzo

Accensione e spegnimento.

Accensione

- ◆ Tenere il manico con entrambe le mani e abbassarlo leggermente per sollevare la parte anterior dell'elettrotensile.
- ◆ Premere il pulsante di sicurezza (4) e tirare la leva di comando (5) verso sé stessi.
- ◆ Rilasciare il pulsante di sicurezza (4).
- ◆ Lasciare che l'elettrotensile ritorni nella posizione di lavoro.

Spegnimento

- ◆ Per spegnere l'elettrotensile rilasciare la leva di comando (5).

Non tentare mai di bloccare un interruttore su acceso.

Attenzione! Lasciare che l'elettrotensile funzioni al suo ritmo. Non sovraccaricare l'elettrotensile.

Per curare adeguatamente un prato, è necessario fare molto di più che tosarlo una volta alla settimana per tutta l'estate. Il prato trarrà vantaggio da una rastrellatura vigorosa dell'erba per eliminare la materia inanimata, muschio ed erbacce che lo sfigurano. L'accumularsi di sfalcio morto forma un tappeto di fibre assorbenti che intralciano il passaggio dell'acqua nel terreno e che, se rimane zuppo, può indebolire l'erba impedendogli di crescere in modo sano e vigoroso.

- ◆ Appoggiare il grosso del cavo di prolunga sul prato vicino al punto di partenza (fig. F, posizione 1).
- ◆ Tenere il manico con entrambe le mani e afferrare la porzione superiore del cavo di prolunga con la mano che non aziona la leva di comando.

Attenzione! Non tentare di azionare il rastrellatore con una mano: è necessario guidarlo con entrambe le mani.

- ◆ Accenderlo come descritto in precedenza.
- ◆ Procedere lungo la zona da rastrellare dalla posizione 1 verso la 2 e, una volta raggiuntala, girare verso destra e procedere verso la posizione 3. Continuare fino alla fine della zona da rastrellare, girare a sinistra e procedere verso la posizione 4.
- ◆ Continuare nel medesimo modo come illustrato sullo schema di sinistra, lavorando sempre lontano dal cavo. Non seguire il metodo illustrato nello schema di destra, lavorando verso il cavo, dato che è pericoloso.

Dopo aver finito di usare il rastrellatore, consigliamo di pulirlo per bene prima di metterlo via. Consultare il capitolo "Manutenzione" di questo manuale.

Nota: per ottenere i migliori risultati, rastrellare regolarmente la zona erbosa, ma evitare di farlo quando l'erba è bagnata.

- ◆ Quando si rastrella sopra al bordo del prato, premere sul manico per impedire alle ruote di cadere oltre il bordo.
- ◆ Per prolungare la durata utile del rullo con denti, eliminare dalla zona erbosa detriti o pietre.

Attenzione! Non collegare, né toccare un cavo danneggiato prima di averlo scollegato dalla presa di corrente. Un cavo danneggiato può causare il contatto con parti sotto tensione.

Attenzione! Non toccare i denti prima di aver scollegato il rastrellatore dalla presa di corrente e attendere fino a quando i denti si sono fermati del tutto.

Attenzione! Controllare che i bambini non giochino con l'elettrotensile.

Attenzione! Questo elettrodomestico non è stato progettato per impiego da parte di persone (o bambini) portatrici di handicap fisici, psichici o sensoriali o che non abbiano la dovuta esperienza o conoscenza, a meno che non siano seguite o opportunamente istruite sul suo impiego da parte di una persona responsabile della loro sicurezza.

Consigli per un utilizzo ottimale

Non forzare il rastrellatore nell'erba troppo alta. Si raccomanda di non usare il rastrellatore se l'erba è lunga più di 75 mm.

- ◆ Non usarlo in ambienti bagnati o umidi.
- ◆ Per ottenere i migliori risultati dal rastrellatore, usarlo regolarmente. Si consiglia di usarlo all'inizio e alla fine della stagione di taglio dell'erba per scarificare a fondo il prato. Il rastrellatore deve anche essere usato dopo aver tagliato l'erba, per eliminare l'eventuale sfalcio lasciato dal tagliaerba.
- ◆ Rastrellare prima in una direzione e poi, la volta successiva, ad angolo retto. Inizialmente l'erba potrebbe sembrare spoglia e incolta, ma si riprenderà rapidamente.

Manutenzione

Questo elettrotensile Black & Decker è stato progettato per funzionare a lungo con un minimo di manutenzione. Per ottenere prestazioni sempre soddisfacenti occorre avere cura dell'elettrotensile e sottoporlo a manutenzione periodica.

- ◆ Mantenere pulito e asciutto l'elettrotensile.
- ◆ Pulire regolarmente le feritoie di ventilazione con un pennello pulito e asciutto.
- ◆ Usare regolarmente un raschietto non affilato per eliminare erba e sporcizia dall'elettrotensile.
- ◆ Per pulire l'elettrotensile, usare solo sapone neutro e un panno umido. Evitare la penetrazione di liquidi all'interno dell'elettrotensile e non immergere mai nessuna parte dello stesso in un liquido. Non usare materiali abrasivi o detersivi a base di solventi.

Ricerca guasti

Se l'elettrotensile non dovesse funzionare correttamente, seguire le istruzioni riportate di seguito. Se non è comunque possibile risolvere il problema, rivolgersi al tecnico Black & Decker di zona.

Attenzione! Prima di continuare, scollegare la spina dalla presa di corrente.

Il motore gira, ma il rullo con i denti non ruota.

- ◆ Eliminare con attenzione eventuali ostruzioni dai denti.

Nessun rumore e il rullo con i denti non si muove.

- ◆ Controllare che i cavi di alimentazione siano collegati correttamente.
- ◆ Controllare i fusibili di rete.

Protezione dell'ambiente



Raccolta differenziata. Questo prodotto non deve essere smaltito con i normali rifiuti domestici.

Nel caso in cui l'elettrotensile Black & Decker debba essere sostituito o non sia più necessario, non smaltirlo con i normali rifiuti domestici. Metterlo da parte per la raccolta differenziata.



La raccolta differenziata dei prodotti e degli imballaggi utilizzati consente il riciclaggio dei materiali e il loro continuo utilizzo. Il riutilizzo dei materiali riciclati favorisce la protezione dell'ambiente prevenendo l'inquinamento e riduce il fabbisogno di materie prime.

Seguire la regolamentazione locale per la raccolta differenziata dei prodotti elettrici che può prevedere punti di raccolta o la consegna dell'elettrotensile al rivenditore presso il quale viene acquistato un nuovo prodotto.

Black & Decker offre ai suoi clienti la possibilità di riciclare i prodotti Black & Decker che hanno esaurito la loro vita di servizio. Per usufruire di tale servizio, è sufficiente restituire il prodotto a qualsiasi tecnico autorizzato, incaricato della raccolta per conto dell'azienda.

Per individuare il tecnico autorizzato più vicino, rivolgersi alla sede Black & Decker locale, presso il recapito indicato nel presente manuale. In alternativa, un elenco completo di tutti i tecnici autorizzati Black & Decker e i dettagli completi sui contatti e i servizi post-vendita sono disponibili su Internet presso: www.2helpU.com.

Dati tecnici

| | GD300 TYPE 1 | GD300X TYPE 1 |
|---------------------|------------------------|------------------|
| Tensione | V c.a. 230 | 230 |
| Potenza assorbita | W 600 | 500 |
| Regime a vuoto | min ⁻¹ 3000 | 3000 |
| Regolazione altezza | cm -2/3/8 | -2/3/8 |
| Peso | kg 7 | 7 |

Livello di pressione sonora:

Pressione sonora (L_{pA}) 76 dB(A), incertezza (K) 3 dB(A)

Potenza acustica (L_{WA}) 95 dB(A), incertezza (K) 3 dB(A)

Valori totali vibrazioni (somma vettoriale triassiale) in base a EN 13684:

Valore emissioni vibrazioni (a_{hv}) <2.5 m/s², incertezza (K) 1.5 m/s²

Dichiarazione di conformità CE

DIRETTIVA SUI MACCHINARI
DIRETTIVA SULL'EMISSIONE SONORA IN AMBIENTE
ESTERNO

**GD300, GD300X**

Black & Decker dichiara che i prodotti descritti al paragrafo "Dati tecnici" sono conformi alle seguenti normative:

2006/42/CE

EN60335-1, EN60335-2-92

2000/14/EC, Scarificatore, Allegato V,

Livello di potenza acustica in base a 2000/14/CE

(Articolo 13, Allegato III):

L_{WA} (pressione sonora misurata) 95 dB
incertezza (K) 3 dB(A)

L_{WA} (pressione sonora garantita) 98 dB
incertezza (K) 3 dB(A)

Questi prodotti sono inoltre conformi alla Direttiva 2004/108/CE e 2011/65/UE.

Per ulteriori informazioni contattare Black & Decker al seguente indirizzo oppure consultare l'ultima di copertina del manuale.

Il sottoscritto è responsabile della redazione di questo documento tecnico e rilascia questa dichiarazione per conto di Black&Decker.

Kevin Hewitt

Vice-President Global Engineering

Black & Decker Europe,

210 Bath Road, Slough,

Berkshire, SL1 3YD

Regno Unito

29/10/2012

Garanzia

Certa della qualità dei suoi prodotti, Black & Decker offre una garanzia eccezionale. Il presente certificato di garanzia è complementare ai diritti legali e non li pregiudica in alcun modo. La garanzia è valida entro il territorio degli Stati membri dell'Unione Europea e dell'EFTA (European Free Trade Area).

Se un prodotto Black & Decker risulta difettoso per qualità del materiale, della costruzione o per mancata conformità entro 24 mesi dalla data di acquisto, Black & Decker garantisce la sostituzione delle parti difettose, provvede alla riparazione dei prodotti se ragionevolmente usurati oppure alla loro sostituzione, in modo da ridurre al minimo il disagio del cliente a meno che:

- ◆ Il prodotto non sia stato destinato ad usi commerciali, professionali o al noleggio;
- ◆ Il prodotto non sia stato usato in modo improprio o scorretto;
- ◆ Il prodotto non abbia subito danni causati da oggetti o sostanze estranee oppure incidenti;
- ◆ Il prodotto non abbia subito tentativi di riparazione non effettuati da tecnici autorizzati né dall'assistenza Black & Decker.

Per attivare la garanzia è necessario esibire la prova d'acquisto al venditore o al tecnico autorizzato. Per individuare il tecnico autorizzato più vicino, rivolgersi alla sede Black & Decker locale, presso il recapito indicato nel presente manuale. Altrimenti un elenco completo di tutti i tecnici autorizzati Black & Decker e i dettagli completi sui contatti e i servizi post-vendita sono disponibili su Internet presso: **www.2helpU.com**.

I clienti che desiderano registrare il nuovo prodotto Black & Decker e ricevere gli aggiornamenti sui nuovi prodotti e le offerte speciali, sono invitati a visitare il sito Web **www.blackanddecker.it**. Ulteriori informazioni sul marchio e la gamma di prodotti Black & Decker sono disponibili all'indirizzo **www.blackanddecker.it**.

Beoogd gebruik

De gazonharker van Black & Decker is ontworpen voor het harken van gazons om vuil, stro, mos en onkruid dat een gazon kan ontsieren te verwijderen. Deze machine is uitsluitend bestemd voor consumentengebruik.

Veiligheidsinstructies

Waarschuwing! Bij apparaten voor gebruik op de netspanning moeten bepaalde elementaire voorzorgsmaatregelen, waaronder de navolgende, in acht worden genomen om het gevaar voor brand, elektrische schokken en persoonlijk letsel tot een minimum te beperken.

- ◆ Lees deze handleiding zorgvuldig door voordat u de machine in gebruik neemt.
- ◆ Zorg ervoor dat u weet hoe u de machine in geval van nood moet uitschakelen voordat u de machine in gebruik neemt.
- ◆ Bewaar deze handleiding zorgvuldig zodat u deze altijd nog eens kunt raadplegen.

Algemene instructies

- ◆ Lees de instructies zorgvuldig door. Zorg ervoor dat u vertrouwd bent met de knoppen en met het juiste gebruik van de machine.
- ◆ Laat de machine niet gebruiken door kinderen of door personen die onbekend zijn met deze instructies. Plaatselijke voorschriften kunnen eisen aan de leeftijd van de gebruiker stellen.
- ◆ Gebruik de machine nooit als er mensen, met name kinderen, of huisdieren in de buurt zijn.
- ◆ Vergeet niet dat de gebruiker verantwoordelijk wordt gesteld voor ongelukken die gebeuren of voor gevaren waaraan andere mensen of hun eigendommen worden blootgesteld.

Voorbereiding

- ◆ Draag stevige schoenen of laarzen om uw voeten te beschermen. Gebruik de machine niet terwijl u sandalen met open tenen draagt of als u op blote voeten loopt. Draag een lange broek om uw benen te beschermen.
- ◆ Draag een veiligheidsbril of een stofbril als u deze machine gebruikt. Gebruik een gezichts- of stofmasker als u in een stoffige omgeving werkt. Draag gehoorbeschermers als het geluidsniveau onaangenaam is.
- ◆ Bescherming tegen elektrische schok. Vermijd aanraking met geaarde oppervlakken (bijv. metalen reilingen, lantaampalen, enz.).
- ◆ Controleer voor u de machine gebruikt, eerst of het terrein dat u gaat harken vrij van stokken, stenen, draad en andere objecten is.

Gebruik

- ◆ Gebruik de machine nooit met defecte beschermingsplaten of -kappen of zonder dat veiligheidsvoorzieningen, zoals deflectors en/of grasvangers zijn aangebracht.
- ◆ Gebruik de machine alleen bij daglicht of goed kunstlicht.
- ◆ Stel de machine niet bloot aan regen. Gebruik de machine niet in vochtige of natte omstandigheden. Gebruik de machine bij voorkeur niet op nat gras.
- ◆ Zorg voor een goede steun voor uw voeten, met name op hellingen. Let op: vers gemaaid gras is vochtig en glad. Werk niet op steile hellingen.
- ◆ Werk dwars over het vlak van een helling, nooit omhoog en omlaag. Ga zeer voorzichtig te werk als u op een helling van richting verandert.
- ◆ Loop tijdens het gebruik van de machine, ren nooit. Trek de machine niet naar u toe en loop niet achteruit als u de machine gebruikt.
- ◆ Zet de machine aan volgens de instructies en met uw voeten een stuk van de scherpe punten vandaan.
- ◆ Kantel de machine niet terwijl u deze aanzet, behalve wanneer de machine moet worden gekanteld om deze te starten. Kantel de machine in dat geval niet meer dan absoluut noodzakelijk is en til alleen het gedeelte op dat uit de buurt van de gebruiker is. Zorg er altijd voor dat beide handen in de bedieningspositie zijn voordat u de machine weer op de grond laat zakken.
- ◆ Schakel de machine uit en wacht tot de rol met scherpe punten niet meer draait als de machine voor transport moet worden gekanteld wanneer u andere oppervlakken dan gras oversteekt en als u de machine van en naar het te harken gebied transporteert.
- ◆ Til of draag de machine niet voordat de scherpe punten helemaal tot stilstand zijn gekomen.
- ◆ Blijf met uw handen en voeten een stuk uit de buurt van de scherpe punten. Kom niet met uw handen of voeten in de buurt van of onder draaiende onderdelen.
- ◆ Blijf te allen tijde uit de buurt van uitwerpingen.
- ◆ Schakel de machine uit, verwijder de stekker uit het stopcontact en controleer of bewegende delen niet meer draaien voordat u de machine buiten uw toezicht achterlaat en voordat u wijzigingen, reinigingswerkzaamheden of inspecties aan de machine uitvoert of een blokkade opheft.
- ◆ Als de machine abnormaal begint te trillen of als u een vreemd voorwerp hebt geraakt, schakelt u de machine uit en verwijdert u de stekker uit het stopcontact. Controleer of de machine beschadigd is.

- ◆ Zorg ervoor dat het netsnoer uit de buurt van de scherpe punten blijft. Zorg ervoor dat u altijd weet waar het snoer zich bevindt.
- ◆ De motor blijft nog een paar seconden draaien nadat u de machine hebt uitgeschakeld. Probeer nooit zelf de scherpe punten tot stilstand te brengen.

Onderhoud en opslag

- ◆ Controleer het apparaat vóór gebruik op beschadigingen en defecten. Controleer of bewegende delen correct functioneren en niet vastklemmen, of onderdelen gebroken zijn, of beschermplaten en schakelaars zijn beschadigd en controleer of er andere omstandigheden zijn waardoor de werking van de machine nadelig wordt beïnvloed. Zorg ervoor dat de machine goed werkt en doet waarvoor deze is ontworpen. Gebruik de machine nooit als een beschermingsplaat of omhulsel is beschadigd of ontbreekt. Gebruik de machine niet in geval van een of meer beschadigde of defecte onderdelen. Gebruik de machine niet als de schakelaar defect is. Laat beschadigde of defecte onderdelen door een van onze servicecentra repareren of vervangen.
- ◆ Controleer het snoer regelmatig op beschadiging. Als het snoer is beschadigd, moet dit worden vervangen door een van onze servicecentra om gevaren te voorkomen. Controleer verlengsnoeren regelmatig. Vervang een beschadigd verlengsnoer onmiddellijk.
- ◆ Zorg ervoor dat alle moeren, bouten en schroeven van de machine goed zijn aangedraaid zodat u veilig kunt werken.
- ◆ Controleer de grasopvangbak op slijtage of beschadiging en vervang deze indien nodig. Gebruik de machine nooit zonder de grasopvangbak.
- ◆ Bewaar de machine na gebruik op een droge plaats. Zorg dat het bewaarde apparaat niet toegankelijk is voor kinderen.
- ◆ Zorg ervoor dat bij vervanging alleen snijmiddelen van het juiste type worden gebruikt.
- ◆ Gebruik uitsluitend door Black & Decker aanbevolen reserveonderdelen en accessoires.

Veiligheid van anderen

- ◆ Dit apparaat mag niet worden gebruikt door personen (waaronder kinderen) die lichamelijk of geestelijk minder valide zijn of die geen ervaring met of kennis van dit apparaat hebben, tenzij deze onder toezicht staan of instructies krijgen voor het gebruik van het apparaat van een persoon die verantwoordelijk is voor hun veiligheid.
- ◆ Houd toezicht op kinderen om ervoor te zorgen dat zij niet met het apparaat gaan spelen.

Waarschuwingssymbolen

De machine is voorzien van de volgende waarschuwingssymbolen:



Lees de handleiding voordat u met de machine gaat werken.



Houd het apparaat uit de buurt van regen en hoge luchtvochtigheid.



Houd omstanders uit de buurt.



Pas op voor de scherpe punten. De scherpe punten blijven draaien nadat de motor is uitgeschakeld: haal de stekker uit het stopcontact voordat u onderhoud uitvoert of als het snoer is beschadigd.



Houd het snoer uit de buurt van de scherpe punten.



De scherpe punten blijven draaien nadat de machine is uitgeschakeld.

Elektrische veiligheid



Dit gereedschap is dubbel geïsoleerd. Een aardaansluiting is daarom niet noodzakelijk. Controleer altijd of uw netspanning overeenkomt met de waarde op het typeplaatje.

- ◆ Als het netsnoer is beschadigd, moet dit worden vervangen door de fabrikant of een Black & Decker servicecentrum om gevaren te voorkomen.
- ◆ Verhoog de elektrische veiligheid eventueel verder met behulp van een hooggevoelige 30 mA reststroomschakelaar (RCD).

Een verlengsnoer gebruiken

Gebruik altijd een goedgekeurd verlengsnoer dat geschikt is voor de voedingsbron van dit gereedschap (zie technische gegevens). Het verlengsnoer moet geschikt zijn voor gebruik buitenshuis en dit moet op het snoer zijn aangegeven. U kunt een HO5V V-F-verlengsnoer van 1,5 mm² dik en maximaal 30 m lang gebruiken zonder dat de prestaties van het product minder worden. Controleer voor gebruik het verlengsnoer op tekenen van beschadiging, slijtage en veroudering. Vervang het verlengsnoer als dit beschadigd is

of niet meer werkt. Als u een snoerhaspel gebruikt, dient u het snoer altijd volledig af te wikkelen.

Onderdelen

1. Grasopvangbak
2. Motorkap
3. Schakelkastje
4. Ontgrendelingsknop
5. Schakelaarhendel

Montage

Waarschuwing! Zorg vóór aanvang van de montage dat de machine is uitgeschakeld en de netstekker is losgekoppeld van het lichtnet.

De bovenste handgreep monteren (fig. A)

- ◆ Zorg ervoor dat de lus van de snoerklem is bevestigd aan de bovenste handgreep voordat u gaat monteren.
- ◆ Bevestig het onderste deel van de handgreep (7) aan het bovenste deel (6) met de knoppen (10), ringen (9) en schroeven (8), zoals afgebeeld.

De onderste handgreep bevestigen (fig. C)

- ◆ Duw de uiteinden van het onderste deel van de handgreep (7) in de bijbehorende gaten in de harkmachine.
- ◆ Duw de handgreep zo ver mogelijk naar beneden.
- ◆ Bevestig de handgreep met de schroeven (12).

Het snoer bevestigen (fig. B)

Het motorsnoer moet met de snoerklemmen worden bevestigd.

- ◆ Duw de ene klem (11) op het snoer dat van het schakelkastje (3) naar de motor loopt. Bevestig de klem op het onderste deel van de handgreep (7).
- ◆ Duw de andere klem (11) op het snoer dat van het schakelkastje (3) naar het motorsnoer loopt. Bevestig de klem op het bovenste deel van de handgreep (7).

Waarschuwing! Controleer of het snoer is bevestigd met de snoerklemmen voordat u de stekker in het stopcontact steekt.

De grasopvangbak bevestigen (fig. D)

- ◆ Hang de grasopvangbak (1) in de openingen aan de voorkant van de harkmachine terwijl deze zich in de werkpositie bevindt.

Harkhoogte afstellen (fig. E)

De harkmachine heeft drie standen voor de harkhoogte: laag, medium en hoog. Deze selecteert u door de stand van de hoogteafsteller die zich op de achterrol (13) bevindt, met drie standen te wijzigen.

- ◆ Druk de vergrendelingsknop op de hoogteafsteller met drie standen in en draai de afsteller in een van de drie beschikbare standen, zoals afgebeeld in fig. E.

Zodra u de gewenste positie hebt bereikt, laat u de vergrendelingsknop los zodat deze zich vastgrijpt in de behuizing van de harkmachine (2).

- ◆ De drie standen worden aangeduid door markeringen op de zijkant van de behuizing van de harkmachine, zoals afgebeeld in fig. E.

De drie standen voor de harkhoogte zijn:

- ◆ **Laagste stand (1).** Gebruik deze stand als u het gazon bijzonder krachtig wilt harken. In deze stand wordt alle vuil en stro dat zich onder aan het gras heeft verzameld verwijderd door de harkmachine. In deze stand worden ook mos en onkruid verwijderd.
- ◆ **Middelste stand (2).** Gebruik deze stand als u het gazon gematigd wilt harken. Deze stand is geschikt voor de meeste gazons.
- ◆ **Hoogste stand (3).** In deze stand wordt het gazon lichtjes geharkt en geveegd. U kunt de harkmachine ook in deze stand gebruiken om platgetrapt gras en uitlopers (de kruipende stelen van grassen en onkruid, zoals klaver) 'op te tillen' zodat u deze kunt maaien. De stand voor vegen/lichtjes harken is ideaal voor gevallen bladeren en voor het verzamelen van grasmaaisel dat na het maaien is achtergebleven op het gazon.

Overige risico's

Er kunnen zich tijdens het gebruik van het gereedschap ook andere risico's voordoen die misschien niet in de bijgevoegde veiligheidswaarschuwingen worden vermeld.

Deze risico's kunnen zich voordoen als gevolg van onoordeelkundig gebruik, langdurig gebruik, enz.

Zelfs als de veiligheidsvoorschriften in acht worden genomen en de veiligheidsvoorzieningen worden geïmplementeerd, kunnen bepaalde risico's niet worden vermeden. Deze omvatten:

- ◆ Verwondingen die worden veroorzaakt door het aanraken van draaiende of bewegende onderdelen.
- ◆ Verwondingen die worden veroorzaakt bij het vervangen van onderdelen, bladen of accessoires.
- ◆ Verwondingen die worden veroorzaakt door langdurig gebruik van het gereedschap. Als u langere periodes met het gereedschap werkt, is het raadzaam om regelmatig een pauze in te lassen.
- ◆ Gehoorbeschadiging.
- ◆ Gezondheidsrisico's als gevolg van het inademen van stof dat door gebruik van het gereedschap wordt veroorzaakt (bijvoorbeeld tijdens het werken met hout, vooral eiken, beuken en MDF).

Gebruik

In- en uitschakelen

Inschakelen

- ◆ Houd de handgreep met beide handen vast en kantel deze een beetje naar beneden zodat de voorkant van de machine wordt opgetild.
- ◆ Druk de ontgrendelingsknop (4) in en trek de schakelaarhendel (5) naar u toe.
- ◆ Laat de ontgrendelingsknop (4) los.
- ◆ Laat de machine terugkeren in de werkpositie.

Uitschakelen

- ◆ Laat de schakelaarhendel (5) los om de machine uit te schakelen.

Probeer nooit om een schakelaar in de ingeschakelde stand te vergrendelen.

Waarschuwing! Laat de machine in zijn eigen tempo werken. Niet overbelasten.

Als u uw gazon goed wilt onderhouden, moet u meer doen dan het gazon eenmaal per week in de zomer maaien. Het gazon knapt ervan op als u het gras stevig harkt om het dode materiaal, mos en onkruid te verwijderen waardoor een gazon lelijk wordt.

Door ophoping van dood gras ontstaat een mat van absorberende vezels die voorkomt dat water tot de grond doordringt en als deze mat vol met water blijft, kunnen grasziekten in de hand worden gewerkt en kunnen gezonde grassen niet wortel schieten.

- ◆ Leg het grootste deel van het verlengsnoer dicht bij het beginpunt op het gazon (fig. F, positie 1).
- ◆ Houd de handgreep met beide handen vast en houd het bovenste deel van het verlengsnoer in de hand die u niet voor de schakelaarhendel gebruikt.

Waarschuwing! Probeer de harkmachine niet met één hand te gebruiken, u moet de machine met beide handen besturen.

- ◆ Schakel de machine in op de hiervoor beschreven wijze.
- ◆ Loop over het te harken gebied van positie 1 naar positie 2. Als u positie 2 bereikt, draait u rechtsom en gaat u naar positie 3. Ga door tot het einde van het te harken gebied, draai linksom en ga door naar positie 4.
- ◆ Ga door zoals weergegeven in de linkerafbeelding en werk altijd van de kabel vandaan. Ga niet te werk zoals in de rechterafbeelding wordt weergegeven, waarbij u naar het snoer toe werkt. Dit levert gevaar op!

We raden aan om, nadat u het gazon hebt geharkt, alle vuil van de harkmachine te verwijderen voordat u deze opbergt. Raadpleeg het gedeelte 'Onderhoud' in deze handleiding.

Opmerking: U verkrijgt het beste resultaat als u uw gazon of met gras bedekte gebied regelmatig harkt en als u niet harkt wanneer het gras nat is.

- ◆ Als u over de rand van het gazon harkt, drukt u de handgreep naar beneden zodat de wielen niet over de rand heen zakken.

Waarschuwing! Steek geen beschadigd snoer in het stopcontact en raak een beschadigd snoer niet aan voordat dit uit het stopcontact is verwijderd. Door een beschadigd snoer kan contact ontstaan met onderdelen die onder spanning staan.

Waarschuwing! Raak de scherpe punten niet aan voordat het netsnoer uit het stopcontact is gehaald en de punten volledig stilstaan.

Waarschuwing! Houd toezicht op kinderen om ervoor te zorgen dat zij niet met het apparaat gaan spelen.

Waarschuwing! Dit gereedschap mag niet worden gebruikt door personen (waaronder kinderen) die lichamelijk of geestelijk mindervalide zijn of die geen ervaring met of kennis van dit gereedschap hebben, tenzij ze onder toezicht staan of instructies krijgen wat betreft het gebruik van het gereedschap van een persoon die verantwoordelijk is voor hun veiligheid.

Tips voor optimaal gebruik

Duw de harkmachine niet met geweld door gras dat te lang is. Aanbevolen wordt om de harkmachine niet te gebruiken in gras dat langer is dan 75 mm.

- ◆ Niet in natte of vochtige omstandigheden gebruiken.
- ◆ U verkrijgt het beste resultaat als u de harkmachine regelmatig gebruikt. Aanbevolen wordt de harkmachine aan het begin en einde van elk grasmaaiseizoen te gebruiken om het gazon goed los te werken. Gebruik de harkmachine ook na elke maaisessie om eventuele grasresten te verwijderen die zijn achtergelaten door uw grasmaaier.
- ◆ Hark eerst in één richting en bij de volgende gelegenheid in rechte hoeken. Aanvankelijk ziet het gras hierdoor misschien kaal en verward uit, maar het zal weer snel herstellen.

Onderhoud

Uw Black & Decker-machine is ontworpen om gedurende een lange periode te functioneren met een minimum aan onderhoud. U kunt de machine naar volle tevredenheid blijven gebruiken als u voor correct onderhoud zorgt en de machine regelmatig schoonmaakt.

- ◆ Houd de machine schoon en droog.
- ◆ Reinig de ventilatieopeningen regelmatig met een schone, droge kwast.
- ◆ Gebruik regelmatig een botte krabber om gras en vuil van de machine te verwijderen.
- ◆ Reinig de machine uitsluitend met een milde reinigingsoplossing en een vochtige doek. Voorkom dat vloeistof de machine binnendringt en dompel nooit enig onderdeel van de machine in vloeistof onder. Gebruik geen schuur- of oplosmiddel.

Problemen oplossen

Als de machine niet goed lijkt te werken, volgt u de onderstaande instructies op. Neem contact op met het dichtstbijzijnde Black & Decker servicecentrum als u het probleem niet kunt verhelpen.

Waarschuwing! Voordat u doorgaat, trekt u de stekker uit het stopcontact.

Motor zoemt maar de rol met scherpe punten beweegt niet

- ◆ Verwijder voorzichtig eventuele obstakels van de scherpe punten.

Geen geluid en de rol met scherpe punten beweegt niet

- ◆ Controleer of de netsnoeren goed zijn aangesloten.
- ◆ Controleer de hoofdzekeringen.

Milieu



■ Gescheiden inzameling. Dit product mag niet met normaal huishoudelijk afval worden weggegooid.

Mocht u op een dag constateren dat het Black & Decker-product aan vervanging toe is of dat u het apparaat niet meer nodig hebt, gooi het product dan niet bij het restafval. Het product valt onder de categorie voor kleine elektrische apparaten.



Gescheiden inzameling van gebruikte producten en verpakkingsmaterialen maakt het mogelijk materialen te recyclen en opnieuw te gebruiken. Hergebruik van gerecycleerde materialen zorgt voor minder milieuvervuiling en dringt de vraag naar grondstoffen terug.

Plaatselijke verordeningen kunnen voorzien in gescheiden inzameling van huishoudelijke elektrische producten via gemeentelijke stortplaatsen of via de leverancier bij wie u een nieuw product aanschaft.

Black & Decker biedt de mogelijkheid tot het recyclen van afgedankte Black & Decker-producten. Om gebruik te maken van deze service, dient u het product naar een van onze servicecentra te sturen, die de inzameling voor ons verzorgen.

U kunt het adres van het dichtstbijzijnde servicecentrum opvragen via de adressen op de achterzijde van deze handleiding. U kunt ook een lijst van onze servicecentra en meer informatie over onze klantenservice vinden op het volgende internetadres: www.2helpU.com.

Technische gegevens

| | GD300 TYPE 1 | GD300X TYPE 1 |
|--------------------|------------------------|------------------|
| Spanning | V AC 230 | 230 |
| Opgenomen vermogen | W 600 | 500 |
| Onbelaste snelheid | min ⁻¹ 3000 | 3000 |
| Hoogte-afstelling | cm -2/3/8 | -2/3/8 |
| Gewicht | kg 7 | 7 |

Geluidsrukniveau:

Geluidsdruk (L_{pA}) 76 dB(A), meetonzekerheid (K) 3 dB(A)

Geluidsvermogen (L_{WA}) 95 dB(A), meetonzekerheid (K) 3 dB(A)

Totale trillingswaarden (som triaxvector) volgens EN 13684:

Waarde trillingsemisse ($a_{T\gamma}$) <2.5 m/s², meetonzekerheid (K) 1.5 m/s²

EG-conformiteitsverklaring
 RICHTLIJN MACHINERIEËN
 RICHTLIJN VOOR GELUID BUITENSHUIS



GD300, GD300X

Black & Decker verklaart dat deze producten, die zijn beschreven onder "Technische gegevens", voldoen aan:

2006/42/EG
 EN60335-1, EN60335-2-92

2000/14/EC, Cultivator, bijlage V,

Niveau van akoestisch vermogen volgens 2000/14/EG (Artikel 13, bijlage III):
 L_{WA} (gemeten geluidsvermogen) 95 dB meetonzekerheid (K) 3 dB(A)
 L_{WA} (gegarandeerd geluidsvermogen) 98 dB meetonzekerheid (K) 3 dB(A)

Deze producten voldoen tevens aan richtlijn 2004/108/EG en 2011/65/EU.

Neem voor meer informatie contact op met Black & Decker op het volgende adres of raadpleeg de achterzijde van de handleiding.

Ondergetekende is verantwoordelijk voor de compilatie van het technische bestand en geeft deze verklaring namens Black & Decker af.

Kevin Hewitt
 Vice-President Global Engineering
 Black & Decker Europe,
 210 Bath Road, Slough,
 Berkshire, SL1 3YD
 Verenigd Koninkrijk
 29/10/2012

Garantie

Black & Decker heeft vertrouwen in haar producten en biedt een uitstekende garantie. Deze garantiebepalingen vormen een aanvulling op uw wettelijke rechten en beperken deze niet. De garantie geldt in de lidstaten van de Europese Unie en de Europese vrijhandelszone.

Mocht uw Black & Decker product binnen 24 maanden na de datum van aankoop defect raken ten gevolge van materiaal- of constructiefouten, dan garanderen wij de kosteloze vervanging van defecte onderdelen, de reparatie van het product of de vervanging van het product, tenzij:

- het product is gebruikt voor handelsdoeleinden, professionele toepassingen of verhuurdoeleinden;
- het product onoordeelkundig is gebruikt;
- het product is beschadigd door invloeden van buitenaf of door een ongeval;
- reparaties zijn uitgevoerd door anderen dan onze servicecentra of Black & Decker-personeel.

Om een beroep te doen op de garantie, dient u een aankoopbewijs te overhandigen aan de verkoper of een van onze servicecentra. U kunt het adres van het dichtstbijzijnde servicecentrum opvragen via de adressen op de achterzijde van deze handleiding. U kunt ook een lijst van onze servicecentra en meer informatie m.b.t. onze klantenservice vinden op het volgende internetadres: www.2helpU.com.

Meld u aan op onze website www.blackanddecker.nl om te worden geïnformeerd over nieuwe producten en speciale aanbiedingen. Verdere informatie over het merk Black & Decker en onze producten vindt u op www.blackanddecker.nl.

Uso previsto

Este escarificador de césped Black & Decker está pensado para eliminar los restos, la paja, el musgo y las malas hierbas que desfiguraron el césped. Esta herramienta está pensada únicamente para uso doméstico.

Instrucciones de seguridad

¡Atención! Al utilizar aparatos eléctricos, es necesario seguir las precauciones de seguridad básicas, incluidas las que se indican a continuación, para reducir el riesgo de incendios, electrocución y lesiones.

- ◆ Lea todo el manual detenidamente antes de utilizar el aparato.
- ◆ Antes de utilizar el aparato, asegúrese de que sabe cómo apagarlo en caso de emergencia.
- ◆ Conserve este manual para futuras consultas.

Consejos

- ◆ Lea detenidamente estas instrucciones. Familiarícese con los controles y el uso correcto del aparato.
- ◆ Evite que los niños o cualquier persona no familiarizada con estas instrucciones utilicen el aparato. Las normativas locales pueden restringir la edad del usuario.
- ◆ No utilice el aparato mientras haya personas, especialmente niños, o animales cerca.
- ◆ Recuerde que el usuario será responsable de los accidentes y las situaciones peligrosas que puedan sufrir las personas de su alrededor o sus propiedades.

Preparación

- ◆ Utilice calzado resistente para proteger los pies. No utilice el aparato si va descalzo o con sandalias. Utilice pantalones largos para protegerse las piernas.
- ◆ Cuando utilice la herramienta, lleve siempre gafas protectoras. Utilice una mascarilla protectora cuando trabaje en lugares de mucho polvo. Utilice protectores para los oídos cuando el nivel de ruido sea molesto.
- ◆ Protéjase contra la electrocución. Evite el contacto del cuerpo con superficies conectadas a masa o tierra (por ejemplo verjas metálicas, farolas, etc.).
- ◆ Antes de empezar a utilizar el aparato, compruebe que la zona que vaya a escarificar no tenga ramas, piedras, alambres o ningún otro objeto.

Funcionamiento

- ◆ No utilice el aparato con protecciones defectuosas o sin dispositivos de seguridad como, por ejemplo, deflectores o recogedores de césped.
- ◆ Utilice el aparato únicamente a la luz del día o con iluminación artificial adecuada.

- ◆ No exponga el aparato a la lluvia. No utilice el aparato en condiciones de humedad y evite que penetren líquidos en su interior. Se recomienda no utilizar el aparato sobre césped mojado.
- ◆ Manténgase en todo momento firmemente apoyado al suelo, especialmente cuando esté en pendiente. Tenga en cuenta que el césped recién cortado está húmedo y resbaladizo. No trabaje en pendientes pronunciadas.
- ◆ Trabaje en sentido transversal a la pendiente, nunca hacia arriba o abajo. Tenga sumo cuidado al cambiar de sentido en las pendientes.
- ◆ Camine, nunca corra mientras usa el aparato. No dirija el aparato hacia usted ni camine hacia atrás cuando utilice el aparato.
- ◆ Siga las instrucciones para encender el aparato y mantenga los pies alejados de las púas.
- ◆ No levante el aparato cuando lo encienda, excepto si es necesario levantar el aparato para arrancarlo. En ese caso, no levante el aparato más de lo imprescindible necesario y levante sólo la parte que esté lejos del usuario. Asegúrese de mantener ambas manos en posición de trabajo antes de volver a dejar el aparato en el suelo.
- ◆ Si debe levantar el aparato y transportarlo para atravesar superficies que no sean de césped o para dirigirse al área de trabajo, apague el aparato y espere a que el montaje de púas se detenga por completo.
- ◆ No levante ni transporte el aparato hasta que las púas se detengan por completo.
- ◆ Mantenga las manos y los pies apartados de las púas. No coloque las manos ni los pies cerca o debajo de partes rotatorias.
- ◆ Manténgase alejado en todo momento de las aberturas de expulsión de residuos.
- ◆ Antes de dejar el aparato sin vigilancia o de eliminar una obstrucción, o cuando se disponga a cambiar, limpiar o revisar alguna de sus piezas, apáguelo, desenchufe el cable de la toma de corriente y asegúrese de que las piezas móviles se han detenido por completo.
- ◆ Si el aparato empieza a vibrar de forma inusual o si choca con un objeto extraño, apague el aparato y desenchufe el cable de la toma de corriente. Compruebe que el aparato no ha sufrido ningún daño.
- ◆ Tenga sumo cuidado en mantener el cable de alimentación lejos de los dientes. Tenga cuidado con el cable de alimentación en todo momento.
- ◆ Después de apagar el aparato, el motor continuará en marcha durante unos segundos. No intente forzar las púas para que se paren.

Mantenimiento y almacenamiento

- Antes de utilizarlo, compruebe que el aparato no tiene piezas dañadas o defectuosas. Compruebe que las piezas móviles se encuentran correctamente alineadas y en buenas condiciones, que no hay piezas rotas, y que los dispositivos de protección e interruptores están en buenas condiciones, así como cualquier otro elemento que pudiera afectar al funcionamiento de la herramienta. Asegúrese de que el aparato funciona correctamente y realiza las funciones para las que ha sido diseñado. No utilice el aparato con protecciones o cierres dañados ni mal colocados. No utilice el aparato si presenta alguna pieza dañada o defectuosa. No utilice el aparato con un interruptor defectuoso. Solicite al servicio técnico autorizado la reparación o sustitución de las piezas dañadas o defectuosas.
- Compruebe con regularidad que el cable no ha sufrido daños. Si se llegase a dañar el cable, deberá ser sustituido por un agente autorizado para evitar cualquier situación de riesgo. Inspeccione los cables de extensión periódicamente. Si el cable de extensión está dañado o es defectuoso, sustitúyalo inmediatamente.
- Mantenga todas las tuercas, pernos y tornillos del aparato apretados para asegurar unas condiciones de trabajo seguras.
- Compruebe que la caja de recolección no está dañada o desgastada y sustitúyala si es necesario. No utilice nunca el aparato sin la caja de recolección.
- Cuando no lo utilice, el aparato se debe almacenar en un lugar seco. Los niños no deben tener acceso a los aparatos guardados.
- Asegúrese de que sólo se utilizan los repuestos de corte del tipo correcto.
- Utilice únicamente piezas de repuesto y accesorios recomendados por Black & Decker.

La seguridad de terceros

- Ninguna persona (incluidos los niños) con capacidades físicas, sensoriales o mentales disminuidas, o que carezca de experiencia y conocimientos, debe utilizar este aparato, salvo que haya recibido supervisión o formación con respecto al uso del aparato por parte de una persona responsable de su seguridad.
- Los niños deben vigilarse en todo momento para garantizar que el aparato no se toma como elemento de juego.

Símbolos de advertencia

El aparato cuenta con los siguientes símbolos de advertencia:



Lea el manual antes de utilizar el aparato.



No exponga el aparato a la lluvia ni a la humedad.



Mantenga alejadas a otras personas.



Tenga cuidado con las púas afiladas. Las púas continúan girando después de apagar el motor. Desconecte el enchufe de la toma de corriente antes de realizar las tareas de mantenimiento del aparato o si el cable está dañado.



Mantenga el cable alejado de las púas de corte.



Las púas continúan girando después de apagar el motor del aparato.

Seguridad eléctrica



La herramienta lleva un doble aislamiento; por lo tanto no requiere de una toma a tierra. Compruebe siempre que la tensión de la red corresponda con el valor indicado en la placa de datos de la herramienta.

- Si se llegase a dañar el cable de alimentación, deberá ser sustituido por el fabricante o por un centro de asistencia técnica autorizado de Black & Decker para evitar cualquier situación de riesgo.
- Se puede incrementar la seguridad eléctrica mediante la utilización de un dispositivo de corriente residual (RCD) de alta sensibilidad de 30 mA.

Uso de un cable de prolongación

Utilice siempre un cable de prolongación adecuado para la entrada de corriente de esta herramienta (consulte la ficha técnica). El cable de prolongación debe ser adecuado y estar marcado para su uso en exteriores. Se puede utilizar un cable de prolongación HO5V V-F de 1,5 mm² y de hasta 30 m sin pérdida de rendimiento del producto. Antes de utilizar el cable de prolongación, compruebe que no está dañado, gastado o deteriorado. Si está dañado o

deteriorado, sustitúyalo. Cuando utilice una bobina de cable, desenrolle siempre todo el cable.

Características

1. Caja de recolección
2. Cubierta del motor
3. Caja del interruptor
4. Botón de desbloqueo
5. Palanca del interruptor

Montaje

¡Atención! Antes de proceder al montaje, compruebe que el aparato está apagado y desenchufado.

Colocación de la empuñadura (fig. A)

- ◆ Antes del montaje, asegúrese de que la anilla de fijación del cable está encajada en la empuñadura superior.
- ◆ Ajuste la parte inferior de la empuñadura (7) a la empuñadura superior (6) mediante el regulador (10), las arandelas (9) y los tornillos (8) como se muestra.

Montaje de la empuñadura (fig. B)

- ◆ Inserte las terminaciones de la parte inferior de la empuñadura (7) en los orificios correspondientes del cortacésped.
- ◆ Presione la empuñadura hacia abajo hasta que encaje.
- ◆ Fije la empuñadura con los tornillos (12).

Fijación del cable (fig. B)

El cable de alimentación debe colocarse por medio de fijaciones.

- ◆ Sujete una fijación (11) del cable de la caja del interruptor (3) al motor. Asegure la fijación a la parte inferior de la empuñadura (7).
- ◆ Sujete la otra fijación (11) del cable de la caja del interruptor al enchufe de la toma (3). Asegure la fijación a la parte superior de la empuñadura (7).

¡Atención! Asegúrese de que el cable está sujeto por medio de las fijaciones antes de conectar el enchufe a la toma de corriente.

Colocación de la caja de recolección (fig. D)

- ◆ Con el escarificador en posición de trabajo, coloque la caja de recolección (1) sobre los salientes de la parte delantera del escarificador.

Ajuste de la altura del escarificador (fig. E)

El aparato dispone de tres alturas para escarificar: baja, media y alta. Las alturas se seleccionan ajustando la posición del selector de altura situado en el rodillo trasero (13).

- ◆ Presione el botón de bloqueo del selector de tres alturas y gire el selector hasta cualquiera de las tres

alturas disponibles como se muestra en la fig. E.

Al alcanzar la posición deseada, suelte el botón de bloqueo y deje que encaje en el cuerpo del escarificador (2).

- ◆ Las tres posiciones vienen indicadas mediante marcas en el lateral del cuerpo del escarificador, como se muestra en la fig. E.

Las tres alturas de escarificación son las siguientes:

- ◆ **Posición baja (1).** Esta posición está indicada para conseguir escarificación vigorosa. En esta posición, el escarificador eliminará todos los restos y la paja que haya recogido del césped. Asimismo, este ajuste sirve para eliminar el musgo y las malas hierbas.
- ◆ **Posición media (2).** Esta posición está indicada para conseguir una escarificación moderada. Esta posición es adecuada para la mayoría de los céspedes.
- ◆ **Posición alta (3).** Esta posición escarificará ligeramente su césped. Esta posición puede utilizarse también para "levantar" césped pisado y estolones (brotes incipientes de hierba y malas hierbas como los tréboles) para que pueda cortarlos. El escarificado ligero o de barrido es ideal para la hojarasca y para recoger los restos de hierba que han quedado sobre el césped después de cortarlos.

Riesgos residuales

El uso de esta herramienta puede producir riesgos residuales adicionales no incluidos en las advertencias de seguridad adjuntas. Estos riesgos se pueden generar por un uso incorrecto, demasiado prolongado, etc.

El cumplimiento de las normas de seguridad correspondientes y el uso de dispositivos de seguridad no evitan ciertos riesgos residuales. Estos riesgos incluyen:

- ◆ Lesiones producidas por el contacto con piezas móviles o giratorias.
- ◆ Lesiones producidas al cambiar cualquier pieza, cuchilla o accesorio.
- ◆ Lesiones producidas al usar una herramienta por un tiempo demasiado prolongado. Si utiliza una herramienta durante períodos de tiempo demasiado prolongados, asegúrese de realizar pausas con frecuencia.
- ◆ Discapacidad auditiva.
- ◆ Riesgos para la salud producidos al respirar el polvo que se genera al usar la herramienta (por ejemplo: en los trabajos con madera, especialmente de roble, haya y tableros de densidad mediana).

Uso

Encendido y apagado

Encendido

- ◆ Sujete la empuñadura con ambas manos e inclínela ligeramente hacia abajo para levantar la parte delantera del aparato.
- ◆ Pulse el botón de bloqueo (4) y tire de la palanca de encendido (5) hacia usted.
- ◆ Pulse el botón de liberación (4).
- ◆ Vuelva a dejar el aparato en posición de trabajo.

Apagado

- ◆ Para apagar el aparato, suelte la palanca de encendido (5).

No intente nunca trabar un interruptor en la posición de encendido.

¡Atención! Deje que el aparato funcione a su ritmo. No lo sobrecargue.

Para cuidar el césped como es debido, se necesita más que cortarlo una vez a la semana en verano. La condición del césped mejorará tras un escarificado intenso que elimine la materia muerta, el musgo y las malas hierbas que lo desfiguran. El cúmulo de hierba muerta forma una capa de fibras absorbentes que impiden que el agua se filtre por la tierra y, si dicha capa se llena de agua, puede provocar enfermedades al césped y evitar que el césped saludable eche raíces.

- ◆ Coloque el cable de extensión en el césped, cerca del lugar por donde vaya a empezar a trabajar (fig. F, posición 1).
- ◆ Sujete la empuñadura con ambas manos y mantenga la parte superior del cable de extensión en la mano que no acciona la palanca.

¡Atención! No intente utilizar el escarificador con una mano; debe guiarlo con las dos manos.

- ◆ Encienda el aparato según las instrucciones anteriores.
- ◆ Siga avanzando por el área que desee escarificar, desde la posición 1 hacia la posición 2 y, al alcanzar la posición 2, gire a la derecha y siga hacia la posición 3. Continúe hasta el final del área que desee escarificar, gire a la izquierda y siga hacia la posición 4.
- ◆ Continúe como se muestra en el diagrama de la izquierda y trabaje siempre lejos del cable. No siga el método que se muestra en el diagrama de la derecha, en el que se trabaja hacia el cable, ya que podría ser peligroso.

Cuando acabe de utilizar el escarificador, se recomienda que limpie todos los restos que hayan quedado enganchados antes de recogerlo. Consulte el apartado "Mantenimiento" de este manual.

Nota: Para obtener resultados óptimos, escurifique el césped regularmente, pero nunca cuando esté húmedo.

- ◆ Al escurificar los bordes del césped, presione la empuñadura hacia abajo para evitar que las ruedas caigan por el borde.
- ◆ Para prolongar la vida del montaje de púas, retire todos los restos o piedras que pudieran estar sobre el césped.

¡Atención! El cable que conecte a la red eléctrica no debe estar dañado. Tampoco toque ningún cable dañado antes de desconectarlo de la red eléctrica. Si toca un cable dañado, podría entrar en contacto con partes electrificadas.

¡Atención! No toque las púas antes de desconectar la máquina de la red eléctrica ni antes de que se detengan por completo.

¡Atención! Los niños deben vigilarse en todo momento para garantizar que el aparato no se toma como elemento de juego.

¡Atención! Ninguna persona (incluyendo niños) con capacidades físicas, sensoriales o mentales disminuidas, o que carezca de experiencia y conocimientos, debe utilizar este aparato, salvo que haya recibido supervisión o formación con respecto al uso del aparato por parte de una persona responsable de su seguridad.

Consejos para un uso óptimo

No fuerce el escarificador al trabajar sobre césped demasiado largo. Se recomienda que el escarificador no se utilice en céspedes que excedan los 75 mm de longitud.

- ◆ No utilice la herramienta en superficies mojadas o húmedas.
- ◆ Para obtener resultados óptimos, utilice el escarificador regularmente. Se recomienda utilizar el escarificador al principio y al final de cada temporada de corte para conseguir escurificarlo a fondo. Asimismo, debería usar el escarificador después de cada corte de césped para recoger todos los restos de hierba cortada que hayan podido quedar.
- ◆ Escarifique primero en una dirección y, a continuación, en dirección contraria. Puede que al principio el césped adquiera un aspecto pobre y desaliñado, pero recuperará su aspecto en poco tiempo.

Mantenimiento

Este aparato de Black & Decker ha sido diseñado para que funcione durante un largo periodo de tiempo con un mantenimiento mínimo. El funcionamiento satisfactorio continuado depende de un cuidado apropiado y una limpieza periódica del aparato.

- ◆ Mantenga el aparato limpio y seco.
- ◆ Limpie periódicamente las ranuras de ventilación con un cepillo limpio y seco.
- ◆ Utilice periódicamente un raspador sin filo para eliminar los restos de hierba y la suciedad acumulada en el aparato.

- ◆ Para limpiar el aparato, utilice únicamente un jabón suave y un paño húmedo. Evite que penetre líquido en el interior de la herramienta y nunca sumerja ninguna parte en líquido. No utilice limpiadores de base abrasiva o disolvente.

Solución de problemas

Si le pareciera que el aparato no funciona de forma adecuada, siga las instrucciones que se indican a continuación. Si no se resuelve el problema, póngase en contacto con un técnico autorizado de Black & Decker.
¡Atención! Antes de empezar, retire siempre el enchufe de la toma de corriente.

El motor suena pero el montaje de púas no se mueve

- ◆ Retire cuidadosamente cualquier obstrucción que pudiera haber en las púas.

El motor no suena y el montaje de púas no se mueve

- ◆ Compruebe que el cable de la alimentación está conectado correctamente.
- ◆ Compruebe los fusibles de la toma de corriente.

Protección del medio ambiente



Recogida selectiva. No se debe desechar este producto con el resto de residuos domésticos.

Si llegase el momento en que fuese necesario sustituir este producto Black & Decker o si éste dejase de tener utilidad para usted, no lo deseche junto con los residuos domésticos. Sepárelo para su recogida selectiva.



La recogida selectiva de productos y embalajes usados permite el reciclaje de materiales y su reutilización. La reutilización de materiales reciclados contribuye a evitar la contaminación medioambiental y reduce la demanda de materias primas.

Las normativas municipales deben ofrecer la recogida selectiva de productos eléctricos del hogar, en puntos municipales previstos para ello o a través del distribuidor en el caso en que se adquiera un nuevo producto.

Black & Decker proporciona facilidades para la recogida y reciclado de los productos Black & Decker que hayan llegado al final de su vida útil. Para poder utilizar este servicio, le rogamos entregue el producto a cualquier servicio técnico autorizado que se hará cargo de él en nuestro nombre.

Para consultar la dirección del servicio técnico más cercano póngase en contacto con la oficina local de Black & Decker

en la dirección que se indica en este manual. Como alternativa, se puede consultar en Internet, en la dirección siguiente, la lista de servicios técnicos autorizados e información completa sobre nuestros servicios de postventa y contactos: www.2helpU.com.

Características técnicas

| | GD300 TIPO 1 | GD300X TIPO 1 |
|---------------------|--------------------------|------------------|
| Voltaje | V de CA 230 | 230 |
| Potencia absorbida | W 600 | 500 |
| Velocidad sin carga | min. ⁻¹ 3.000 | 3.000 |
| Height adjustment | cm -2/3/8 | -2/3/8 |
| Peso | kg 7 | 7 |

| |
|---|
| Nivel de presión acústica: |
| Presión acústica (L_{pA}) 76 dB (A), incertidumbre (K) 3 dB (A) |
| Potencia acústica (L_{WA}) 95 dB(A), incertidumbre (K) 3 dB(A) |
| Valores totales de vibración (suma vectorial triaxial) de acuerdo con la directiva EN 13684: |
| Valor de emisión de vibraciones (a_{hv}) <2.5 m/s^2 , incertidumbre (K) 1.5 m/s^2 |

Declaración de conformidad CE
 DIRECTIVA DE MAQUINARIAS
 DIRECTIVA SOBRE LA EMISIÓN DE RUIDO
 EN EXTERIORES



GD300, GD300X

Black & Decker declara que los productos descritos en los "datos técnicos" cumplen con lo siguiente:

2006/42/CE
 EN60335-1, EN60335-2-92

2000/14/EC, Escarificador, anexo V,

Nivel de intensidad acústica de acuerdo con la directiva 2000/14/CE (artículo 13, anexo III):

L_{WA} (potencia acústica medida) 95 dB
 incertidumbre (K) 3 dB (A)

L_{WA} (potencia acústica garantizada) 98 dB
 incertidumbre (K) 3 dB (A)

Estos productos también cumplen con la directiva 2004/108/CE y 2011/65/UE.

Si desea obtener más información, póngase en contacto con Black & Decker a través de la siguiente dirección o consulte el dorso del manual.

La persona que firma a continuación es responsable de la elaboración del archivo técnico y realiza esta declaración en nombre de Black & Decker.

Kevin Hewitt
 Vice-President Global Engineering
 Black & Decker Europe,
 210 Bath Road, Slough,
 Berkshire, SL1 3YD
 Reino Unido
 29/10/2012

Garantía

Black & Decker confía plenamente en la calidad de sus productos y ofrece una garantía extraordinaria. Esta declaración de garantía es un añadido, y en ningún caso un perjuicio para sus derechos legales. La garantía es válida dentro de los territorios de los Estados miembros de la Unión Europea y de los de la Zona Europea de Libre Comercio.

Si cualquier producto de Black & Decker resultara defectuoso debido a materiales o mano de obra defectuosos o a la falta de conformidad, Black & Decker garantiza, dentro de los 24 meses posteriores a la fecha de compra, la sustitución de las piezas defectuosas, la reparación de los productos sujetos a un desgaste y rotura razonables o la sustitución de tales productos para garantizar al cliente el mínimo de inconvenientes, a menos que:

- ♦ El producto se haya utilizado con propósitos comerciales, profesionales o de alquiler.
- ♦ El producto se haya sometido a un uso inadecuado o negligente.
- ♦ El producto haya sufrido daños causados por objetos o sustancias extrañas o accidentes.
- ♦ Se hayan realizado reparaciones por parte de personas que no sean del servicio técnico autorizado o personal de servicios de Black & Decker.

Para reclamar en garantía, será necesario que presente la prueba de compra al vendedor o al servicio técnico de reparaciones autorizado. Puede consultar la dirección de su servicio técnico más cercano poniéndose en contacto con la oficina local de Black & Decker en la dirección que se indica en este manual. Como alternativa, se puede consultar en Internet, en la dirección siguiente, la lista de servicios técnicos autorizados e información completa de nuestros servicios de postventa y contactos: **www.2helpU.com**.

Visite el sitio web **www.blackanddecker.eu** para registrar su nuevo producto Black & Decker y estar al día sobre productos y ofertas especiales. Encontrará información adicional sobre la marca Black & Decker y nuestra gama de productos en **www.blackanddecker.eu**.

Utilização

O seu esçarificador de relva Black & Decker foi concebido para esçarificar relvados de forma a remover lixo, colmo, musgo e ervas daninhas que possam desfigurar um relvado. Esta ferramenta destina-se apenas a utilização doméstica.

Instruções de segurança

Advertência! Quando utilizar aparelhos eléctricos, deve sempre cumprir medidas de segurança básicas, incluindo as seguintes, de modo a reduzir os riscos de incêndio, choque eléctrico e ferimentos pessoais.

- ◆ Leia com atenção todo o manual antes de utilizar o aparelho.
- ◆ Antes de trabalhar com a máquina, certifique-se de que sabe como desligá-la em caso de emergência.
- ◆ Conserve este manual para referência futura.

Formação

- ◆ Leia atentamente as instruções. Familiarize-se com os controlos e a utilização adequada da máquina.
- ◆ Não deixe crianças ou terceiros que não estejam familiarizados com estas instruções utilizar este aparelho. As normas locais podem restringir a idade do operador.
- ◆ Nunca utilize a máquina enquanto estiverem pessoas - em especial, crianças nas proximidades.
- ◆ Tenha em atenção que o operador será responsabilizado por acidentes ou perigos que possam ocorrer a outras pessoas ou bens.

Preparação

- ◆ Use sapatos ou bds resistentes para proteger os seus pés. Não utilize o aparelho com sandálias abertas nos dedos ou pés descalços. Use calças compridas para proteger as pernas.
- ◆ Utilize óculos ou viseiras de protecção quando utilizar esta ferramenta. Utilize uma máscara sempre que utilizar o aparelho em ambiente poeirentos. A protecção auricular deve ser usada sempre que o nível de som for incómodo.
- ◆ Tenha cuidado com os choques eléctricos. Evite o contacto com superfícies com ligação à terra, tais como trilhos de metal, postes de iluminação, etc.
- ◆ Antes de trabalhar com a máquina, verifique se o percurso que pretende limpar não tem paus, pedras, cabos e outros objectos.

Funcionamento

- ◆ Nunca trabalhe com a máquina com protecções deficientes, ou sem os dispositivos de segurança montados (deflectores e/ou caixa de aparas).
- ◆ Utilize apenas a máquina à luz do dia ou com boa luz artificial.

- ◆ Não exponha o aparelho à chuva. Não utilize o aparelho em condições de humidade. De preferência, não utilize a máquina em relva molhada.
- ◆ Tenha atenção aos seus passos, particularmente em soalcos. Tenha em conta que a relva recentemente cortada está húmida e escorregadia. Não trabalhe em soalcos muito acentuados.
- ◆ Trabalhe ao longo dos soalcos, e nunca em sentido ascendente/descendente. Tenha muito cuidado quando mudar de direcção em declives.
- ◆ Não corra quando utilizar a máquina. Não puxe a máquina na sua direcção nem ande para trás quando utilizar a máquina.
- ◆ Ligue a máquina de acordo com as instruções e com os seus pés bem afastados dos dentes da máquina.
- ◆ Não incline a máquina quando a liga, excepto se tiver de ser inclinada para colocá-la em funcionamento. Nesse caso, não incline a máquina mais do que o absolutamente necessário e apenas quando a peça estiver distante do operador. Ambas as mãos devem estar devidamente posicionadas para manejar a máquina antes de colocar a máquina no chão.
- ◆ Desligue a máquina e aguarde que os dentes parem de funcionar se o aparelho tiver de ser inclinado para transporte em terrenos que não sejam relvados, e quando transporta a máquina para e a partir da área a ser esçarificada.
- ◆ Não eleve ou transporte a máquina até que os dentes parem completamente.
- ◆ Mantenha as mãos e os pés afastados dos dentes da máquina. Não coloque as mãos ou pés perto ou sob as peças rotativas.
- ◆ Mantenha-se sempre afastado das aberturas de descarga.
- ◆ Desligue, remova a ficha da tomada e certifique-se de que as peças móveis pararam de rodar antes de deixar o aparelho sem supervisão e antes de mudar, limpar ou inspeccionar quaisquer peças do aparelho.
- ◆ Se a máquina começar a vibrar de forma anormal ou se tiver atingido um objecto estranho, desligue a máquina e retire a ficha da tomada. Verifique se a máquina apresenta danos.
- ◆ Certifique-se sempre de que o cabo de alimentação está afastado dos dentes da máquina. Tenha sempre presente a posição do cabo.
- ◆ O motor irá continuar a funcionar por alguns segundos depois de desligar a máquina. Nunca force a imobilização dos dentes.

Manutenção e armazenamento

- Antes da utilização, verifique se a máquina tem peças danificadas ou avariadas. Verifique se as partes móveis estão desalinhadas ou bloqueadas, se existem peças partidas, se as protecções e os botões estão danificados ou qualquer outra situação que possa afectar o funcionamento das ferramentas eléctricas. Certifique-se de que a máquina irá funcionar correctamente e executar a função que pretende. Nunca utilize o aparelho se as protecções ou caixas estiverem danificadas ou não estiverem na devida posição. Não utilize o aparelho se alguma das peças se encontrar danificada ou avariada. Não utilize a máquina se o interruptor não puder ser ligado nem desligado. Mandar reparar ou substituir quaisquer peças danificadas ou avariadas por um agente de reparação autorizado.
- Verifique com frequência se os cabos estão danificados. Se o cabo estiver danificado, deve ser substituído por um agente de reparação autorizado para evitar que ocorra um acidente. Inspeccione periodicamente os cabos de extensão. Substitua, de imediato, um cabo de extensão caso esteja danificado.
- Mantenha todas as porcas, parafusos e pernos da máquina apertados para assegurar um bom funcionamento. Nunca utilize a máquina sem a caixa de aparas.
- Verifique se a caixa de aparas apresenta danos ou desgaste e substitua-a, se necessário.
- Quando não estiver em utilização, o aparelho deve ser guardado num local seco. As crianças não devem ter acesso a aparelhos armazenados.
- Verifique se são utilizados os instrumentos de corte de substituição adequados.
- Certifique-se de que utiliza apenas peças de substituição e acessórios recomendados pela Black & Decker.

Segurança de terceiros

- Este aparelho não deve ser utilizado por pessoas (incluindo crianças) que apresentem capacidades físicas, sensoriais ou mentais reduzidas ou que não possuam os conhecimentos e a experiência necessários, excepto se forem vigiadas e instruídas acerca da utilização do aparelho por uma pessoa responsável pela sua segurança.
- As crianças deverão ser vigiadas para que não mexam no aparelho.

Símbolos de advertência

Os seguintes símbolos de advertência encontram-se na máquina:



Leia o manual antes de colocar a máquina em funcionamento.



Não exponha a máquina à chuva ou humidade elevada.



Mantenha as outras pessoas afastadas.



Esteja atento aos dentes afiados. Os dentes continuam a rodar depois de o motor ter sido desligado - retire a ficha da tomada antes de efectuar a manutenção ou se o cabo estiver danificado



Mantenha o cabo afastado dos dentes de corte.



Os dentes continuarão a rodar após a máquina ter sido desligada

Segurança eléctrica



Esta ferramenta tem um isolamento duplo e, por isso, não é necessário um fio de terra. Verifique sempre se a fonte de alimentação corresponde à tensão indicada na placa de especificações.

- Se o cabo de alimentação for danificado, terá de ser substituído pelo fabricante ou por um centro de assistência autorizado Black & Decker para evitar acidentes.
- A segurança eléctrica pode ser melhorada mediante o uso de um Dispositivo de Corrente Residual (RCD) de alta sensibilidade (30 mA).

Utilização de um cabo de extensão

Utilize sempre um cabo de extensão aprovado adequado à entrada de corrente desta ferramenta (ver dados técnicos). O cabo de extensão tem de ser adequado a utilização no exterior e marcado correctamente. Pode ser utilizado um cabo de extensão HO5V V-F de 1,5 mm² com 30m sem perda de desempenho do aparelho. Antes da utilização, verifique se o cabo de extensão apresenta sinais de qualquer tipo de danos. Caso esteja danificado, substitua-o.

Quando utilizar uma bobina de cabo, desenrole sempre o cabo completamente.

Funções

1. Caixa de aparas
2. Cobertura do motor
3. Caixa de controlo
4. Botão de desbloqueio
5. Alavanca de manuseamento

Montagem

Advertência! Antes da montagem, certifique-se de que o aparelho está desligado e que não está ligado à corrente eléctrica.

Montar o manípulo superior (fig. A)

- ◆ Certifique-se de que a argola de fixação do cabo está instalada no manípulo superior antes da montagem.
- ◆ Encaixe a peça inferior (7) no manípulo superior (6) utilizando os punhos (10), anilhas (9) e parafusos (8), de acordo com a figura.

Encaixar o manípulo inferior (fig. C)

- ◆ Insira as extremidades do manípulo inferior (7) nos orifícios correspondentes no escarificador.
- ◆ Prima o manípulo para baixo, tanto quanto possível.
- ◆ Fixe o manípulo utilizando os parafusos (12).

Fixar o cabo (fig. B)

O cabo do motor deve ficar preso através de grampos de fixação.

- ◆ Aperte o grampo de fixação (11) ao cabo que parte da caixa de controlo (3) até ao motor. Fixe o grampo ao manípulo inferior (7).
- ◆ Aperte o outro grampo de fixação (11) ao cabo que parte da caixa de comando (3) até à ficha do motor. Fixe o grampo ao manípulo superior (7).

Advertência! Certifique-se de que o cabo está fixo utilizando os grampos do cabo, antes de ligar a ficha à corrente.

Montar a caixa de aparas (fig. D)

- ◆ Com o escarificador na posição de funcionamento, coloque a caixa de aparas (1) sobre os apoios na parte da frente do escarificador.

Altura de ajuste do escarificador (fig. E)

O seu escarificador possui três alturas de escarificação: baixa, média e alta. Podem ser seleccionadas, mudando a posição do regulador de altura de três posições localizado no rolo traseiro (13).

- ◆ Prima o botão de bloqueio no regulador de 3 posições de altura e seleccione uma das três posições

disponíveis, de acordo com a fig. E. Na posição que pretende, liberte o botão de bloqueio e deixe engatar no corpo do escarificador (2).

- ◆ As três posições estão identificadas pelas marcas na parte lateral do corpo do escarificador, de acordo com a fig. E.

As três posições de altura de escarificação são as seguintes:

- ◆ **Regulação mais baixa (1).** Esta regulação deve ser utilizada quando pretende fazer uma escarificação particularmente intensiva ao relvado. Neste ponto de regulação, o escarificador irá remover todos os resíduos, colmos que foram recolhidos na base da relva. Irá também remover musgo e raízes.
- ◆ **Regulação média (2).** Esta regulação deve ser utilizada quando pretende fazer uma escarificação moderada no relvado. Esta regulação é adequada para a maioria dos relvados.
- ◆ **Regulação mais alta (3).** Esta regulação irá escarificar e varrer superficialmente o relvado. O seu escarificador pode ainda ser utilizado neste ponto de regulação para “fazer subir” a relva achatada e os estolhos (as hastes rastejantes da relva e ervas daninhas, como os trevos) para que possa arrancá-los. A regulação varrer/limpeza ligeira é ideal para folhas caídas e para a recolha de aparas de relva que foram deixadas no relvado depois do corte.

Riscos residuais

Podem surgir riscos residuais adicionais durante a utilização da ferramenta que poderão não constar nos avisos de segurança incluídos. Estes riscos podem resultar de má utilização, uso prolongado, etc.

Mesmo com a aplicação dos regulamentos de segurança relevantes e com a implementação de dispositivos de segurança, alguns riscos residuais não podem ser evitados. Incluem:

- ◆ ferimentos causados pelo contacto com peças em rotação/movimento.
- ◆ ferimentos causados durante a troca de peças, lâminas ou acessórios.
- ◆ ferimentos causados pela utilização prolongada de uma ferramenta. Quando utilizar uma ferramenta por períodos prolongados, faça intervalos regulares.
- ◆ diminuição da audição.
- ◆ problemas de saúde causados pela inalação de poeiras resultantes da utilização da ferramenta (exemplo: trabalhos em madeira, especialmente carvalho, faia e MDF).

Utilização

Ligar e desligar

Ligar

- ◆ Segure no manípulo com ambas as mãos e incline-o ligeiramente para baixo de forma a levantar a parte dianteira da máquina.
- ◆ Prima o botão de desbloqueio (4) e puxe a alavanca de manuseamento (5) em direcção a si.
- ◆ Liberte o botão de desbloqueio (4).
- ◆ Deixe que a máquina volte à posição de funcionamento.

Desligar

- ◆ Para desligar a máquina, solte a alavanca de manuseamento (5).

Nunca tente bloquear um interruptor de ligação na posição de ligado.

Advertência! Deixe a máquina trabalhar ao seu ritmo. Não a sobrecarregue.

Para cuidar de um relvado de forma adequada, não basta apenas cortá-lo uma vez por semana durante todo o verão. O relvado irá beneficiar de uma escarificação vigorosa da relva para remover a matéria morta, o musgo e as ervas daninhas que retiram toda a beleza de um relvado.

A acumulação de erva morta provoca um tapete de fibras absorventes que evita que a água passe através do solo, e se este tapete ficar encharcado poderá dar origem a doenças de relva e impedir o nascimento de raízes.

- ◆ Coloque a maior parte do cabo de extensão no relvado, perto do ponto de partida (fig. F, posição 1).
- ◆ Segure o manípulo com ambas as mãos e segure a parte superior do cabo de extensão na mão, não trabalhando com a alavanca.

Advertência! Não tente trabalhar com o escarificador com uma mão - deverá conduzi-lo com ambas as mãos.

- ◆ Ligue a máquina, tal como descrito anteriormente.
- ◆ Continue com a área de limpeza da posição 1 para a posição 2 e, quando atingir a posição 2, vire para a direita e continue para a posição 3. Continue até à extremidade da área de limpeza, vire para a esquerda e continue até à posição 4.
- ◆ Proceda da mesma forma conforme indicado no diagrama esquerdo, trabalhando sempre afastado do cabo. Não adopte o método indicado no diagrama direito, trabalhando em direcção ao cabo, uma vez que esta prática é perigosa.

Quando terminar o seu trabalho, recomendamos que limpe todos os detritos do escarificador antes de o guardar. Consulte a secção “Manutenção” neste manual.

Nota: Para obter os melhores resultados, escarifique regularmente o seu relvado; não o escarifique quando a relva estiver molhada.

- ◆ Quando escarificar os cantos do relvado, prima o manípulo para baixo para que as rodas não saiam para fora dos cantos.
- ◆ Para garantir uma durabilidade eficiente do conjunto de dentes, remova quaisquer detritos ou pedras do relvado.

Advertência! Não ligue um cabo danificado à corrente nem toque num cabo danificado antes de este ser desligado da corrente. Um cabo danificado pode entrar em contacto com peças com corrente eléctrica.

Advertência! Não toque nos dentes antes de a máquina ser desligada da corrente e os dentes pararem por completo.

Advertência! As crianças devem ser vigiadas para garantir que não brinquem com a máquina.

Advertência! Este aparelho não se destina a ser utilizado por pessoas (incluindo criançaS) com capacidades físicas, sensoriais ou mentais reduzidas ou com falta de experiência e conhecimento, excepto se forem vigiadas ou se tiverem sido instruídas nesse sentido por uma pessoa responsável pela sua segurança.

Sugestões para uma utilização ideal

Não force o seu escarificador sobre relva muito crescida.

Não é recomendável que o escarificador seja utilizado em relva com um comprimento superior a 75 mm.

- ◆ Não o utilize se a relva estiver húmida ou molhada.
- ◆ Para obter os melhores resultados do seu escarificador, utilize-o regularmente. Recomenda-se que o escarificador seja utilizado no início e no fim de cada época de corte de relva para permitir uma escarificação completa do seu relvado. O seu escarificador deve ainda ser utilizado após cada sessão de corte para remover as aparas de relva que possa deixar.
- ◆ Escarifique primeiro numa direcção e, em seguida, na próxima ocasião, em ângulos correctos. De início, isto poderá fazer com que a relva pareça pelada e irregular, mas irá recuperar rapidamente.

Manutenção

O seu aparelho Black & Decker foi concebido para funcionar por um longo período de tempo com uma manutenção mínima. Um funcionamento contínuo e satisfatório depende de uma manutenção adequada e da limpeza regular da máquina.

- ◆ Mantenha a máquina limpa e seca.
- ◆ Limpe regularmente os encaixes de ventilação com uma escova limpa e seca.
- ◆ Utilize regularmente uma raspadeira para remover relva e sujidade da máquina.
- ◆ Para limpar o aparelho, utilize apenas sabão neutro e um pano húmido. Nunca deixe nenhum líquido entrar

na ferramenta e nunca submerja nenhuma parte da ferramenta em líquido. Não utilize nenhum produto de limpeza abrasivo ou à base de solventes.

Resolução de problemas

Se achar que a sua máquina não está a funcionar correctamente, respeite as instruções apresentadas em seguida. Se, desta forma, não resolver os problemas, contacte o seu agente de reparação local Black & Decker. Advertência! Antes de continuar, remova a ficha da tomada.

O motor emite ruído, mas o conjunto de dentes não se move

- ◆ Remova, com cuidado, quaisquer objectos que obstruam os dentes da máquina.

A máquina não emite ruído e o conjunto de dentes não se move

- ◆ Verifique se os cabos de alimentação estão ligados correctamente.
- ◆ Verifique os fusíveis eléctricos.

Protecção do ambiente



Recolha separada. Este produto não pode ser eliminado juntamente com os resíduos domésticos normais.

Se em algum momento verificar que é necessário substituir o aparelho ou que este deixou de ter utilidade, não elimine o produto num caixote do lixo. Este produto pode ser separado para reciclagem.



A recolha separada de produtos e embalagens usados permite que os materiais sejam reciclados e novamente utilizados. A reutilização de materiais reciclados ajuda a evitar a poluição ambiental e reduz a procura de matérias-primas.

A legislação local poderá prever a recolha separada de produtos domésticos eléctricos, seja em lixeiras municipais ou através do revendedor quando adquire um produto novo.

A Black & Decker dispõe de instalações para recolha e reciclagem de produtos Black & Decker quando estes atingem o fim da sua vida útil. Para usufruir deste serviço, devolva o produto em qualquer agente de reparação autorizado, que os recolherá em seu nome.

Pode verificar a localização do agente de reparação autorizado mais perto de si, contactando os escritórios locais da Black & Decker através do endereço indicado neste manual. Se preferir, pode encontrar na Internet uma lista de agentes de reparação autorizados Black & Decker,

detalhes completos e contactos do serviço pós-venda, no endereço: www.2helpU.com.

Dados técnicos

| | GD300 TIPO 1 | GD300X TIPO 1 |
|-------------------------|------------------------|------------------|
| Tensão | Vca 230 | 230 |
| Potência utilizada | W 600 | 500 |
| Sem velocidade de carga | min ⁻¹ 3000 | 3000 |
| Ajuste da altura | cm -2/3/8 | -2/3/8 |
| Peso | kg 7 | 7 |

Nível de pressão acústica:

Pressão acústica (L_{pA}) 76 dB(A), imprecisão (K) 3 dB(A)

Potência acústica (L_{WA}) 95 dB(A), imprecisão (K) 3 dB(A)

Valores totais de vibração (soma de vectores triax), em conformidade com a norma EN 13684:

Valor de emissão de vibrações (a_{Hv}) <2.5 m/s², imprecisão (K) 1.5 m/s²

Declaração de conformidade CEDIRECTIVA MÁQUINAS
DIRECTIVA DE RUÍDO AMBIENTE**GD300, GD300X**

A Black & Decker declara que os produtos descritos em "dados técnicos" estão em conformidade com as seguintes normas:

2006/42/CE

EN60335-1, EN60335-2-92

2000/14/EC, Escarificador, Anexo V,

Nível de potência acústica de acordo com 2000/14/CE (Artigo 13, Anexo III):

L_{WA} (potência sonora medida) 95 dB
imprecisão (K) 3 dB(A)

L_{WA} (potência sonora garantida) 98 dB
imprecisão (K) 3 dB(A)

Estes produtos estão também em conformidade com a Directiva 2004/108/EC e 2011/65/UE.

Para obter mais informações, contacte a Black & Decker no endereço indicado ou consulte a parte posterior do manual.

O signatário é responsável pela compilação do ficheiro técnico e efectua esta declaração em nome da Black & Decker.

Kevin Hewitt

Vice-President Global Engineering
Black & Decker Europe,
210 Bath Road, Slough,
Berkshire, SL1 3YD
Reino Unido
29/10/2010

Garantia

A Black & Decker confia na qualidade dos seus produtos e oferece uma garantia excelente. Esta declaração de garantia é um complemento dos seus direitos estabelecidos por lei, não os prejudicando de forma alguma. A garantia é válida nos territórios dos Estados Membros da União Europeia e da Associação Europeia de Comércio Livre.

Se um produto Black & Decker se avariar devido a defeitos de material, fabrico ou não conformidade, num período de 24 meses após a data da compra, a Black & Decker garante a substituição de peças defeituosas, a reparação de produtos sujeitos a um desgaste aceitável ou a substituição dos mesmos para garantir o mínimo de inconveniente ao cliente, excepto se:

- ♦ O produto tiver sido utilizado para fins comerciais, profissionais ou de aluguer.
- ♦ O produto tiver sido submetido a utilização indevida ou descuido.
- ♦ O produto tiver sido danificado por objectos estranhos, substâncias ou acidentes.
- ♦ Tiverem sido tentadas reparações por pessoas que não sejam agentes de reparação autorizados ou técnicos de manutenção da Black & Decker.

Para accionar a garantia, terá de apresentar comprovativos de compra ao vendedor ou a um agente de reparação autorizado. Pode verificar a localização do agente de reparação autorizado mais perto de si, contactando os escritórios locais da Black & Decker através do endereço indicado neste manual. Se preferir, pode encontrar na Internet uma lista de agentes de reparação autorizados Black & Decker, detalhes completos e contactos do serviço pós-venda, no endereço: www.2helpU.com.

Visite o nosso website www.blackanddecker.eu para registar o novo produto Black & Decker e manter-se actualizado relativamente a novos produtos e ofertas especiais. Pode encontrar mais informações sobre a marca Black & Decker e a nossa gama de produtos em www.blackanddecker.eu.

Användningsområde

Denna apparat från Black & Decker är till för räfsning av gräsmattor så att skräp, torrt gräs, mossa och ogräs som kan förstöra gräsmattan avlägsnas. Verktuget är endast avsett som konsumentverktyg.

Säkerhetsinstruktioner

Varning! För att förhindra brand, elektriska stötar och personskador ska grundläggande säkerhetsföreskrifter, inklusive de som följer, alltid följas vid användning av nätdrivna apparater.

- ◆ Läs hela den här bruksanvisningen noggrant innan du börjar använda apparaten.
- ◆ Ta reda på hur man stänger av apparaten innan du använder den, om en nödsituation skulle uppstå.
- ◆ Behåll bruksanvisningen för framtida referens.

Innan du börjar använda apparaten

- ◆ Läs de här anvisningarna noggrant. Bekanta dig med reglagen och ta reda på hur apparaten ska användas.
- ◆ Låt inte barn eller personer som inte har läst dessa instruktioner använda apparaten. Det kan finnas lokala bestämmelser gällande åldersgräns för användaren.
- ◆ Använd inte apparaten i närheten av andra människor (främst barn) eller husdjur.
- ◆ Användaren ansvarar för olyckor och risker som andra människor eller deras egendom utsätts för.

Förberedelser

- ◆ Bär kraftiga skor eller stövlar för att skydda dina fötter. Var inte barfota och bär inte sandaler med öppen tå när du använder apparaten. Bär långbyxor för att skydda dina ben.
- ◆ Bär alltid skyddsglasögon när du använder verktuget. Använd ansikts- eller dammask när du arbetar i dammiga miljöer. Om ljudnivån är så hög att det stör ska hörselskydd användas.
- ◆ Förebygg risken för elektriska stötar. Undvik kroppskontakt med jordade ytor (t.ex. metallräcken, lyktstolpar m.m.).
- ◆ Innan du börjar arbeta ska du se till att det område som ska räfsas är fritt från grenar, stenar, ledningar och andra föremål.

Användning

- ◆ Använd inte apparaten om skydd eller skyddsplåtar är trasiga eller om säkerhetsanordningarna, t.ex. avisare och/eller gräsuppsamlare, inte är monterade.
- ◆ Använd endast apparaten i dagsljus eller i tillräcklig artificiell belysning.
- ◆ Utsätt inte apparaten för regn. Använd inte apparaten när det är fuktigt eller vått. Apparaten ska helst inte användas i vått gräs.
- ◆ Se till så att du har ett bra fotfäste och var särskilt försiktig när marken sluttar. Tänk på att nyklippt gräs är fuktigt och halt. Använd inte apparaten på branta sluttningar.
- ◆ Arbeta tvärs över sluttningar, inte upp och ner. Var mycket försiktig när du byter riktning vid arbete på sluttningar.
- ◆ Spring inte när du använder apparaten. Dra inte apparaten mot dig och gå inte baklänges med den.
- ◆ Följ anvisningarna när du startar apparaten och se till att inte ha fötterna i närheten av räfständerna.
- ◆ Tippa inte apparaten när du ska starta den om det går att undvika. Om så är fallet ska du inte tippa apparaten mer än nödvändigt och endast lyfta den del som pekar bort från användaren. Se till så att båda händerna är i rätt läge för användning innan du sätter tillbaka apparaten på marken.
- ◆ Om du måste tippa apparaten för att kunna lyfta den över ytor som inte består av gräs eller transportera den till eller från området som ska räfsas ska du först stänga av apparaten och vänta tills tänderna har slutat rotera.
- ◆ Lyft eller bär inte apparaten förrän tänderna helt har slutat rotera.
- ◆ Håll händer och fötter borta från räfständerna. Håll inte händer eller fötter i närheten av eller under roterande delar.
- ◆ Stå aldrig framför utmatningsöppningarna.
- ◆ Stäng av apparaten, dra ut elsladden och försäkra dig om att inga delar roterat om du ska lämna apparaten oövervakad, samt när du byter, rengör eller inspekterar den eller tar bort föremål som ligger i vägen.
- ◆ Stäng av apparaten och dra ut elsladden om apparaten börjar vibrera ovanligt mycket eller om du stöter på ett främmande föremål. Kontrollera om apparaten är skadad.
- ◆ Var noga med att hålla sladden borta från räfständerna. Håll hela tiden reda på var sladden befinner sig.
- ◆ Motom fortsätter att köra några sekunder efter att apparaten har stängts av. Försök aldrig tvinga tänderna att stanna.

Underhåll och förvaring

- ◆ Kontrollera att apparaten är hel och att inga delar är skadade innan du använder den. Kontrollera att rörliga komponenter fungerar felfritt och inte kärvar, att inga komponenter är sönder, att skydd och reglage inte har skadats och att inget annat föreligger som kan påverka apparatens funktioner. Försäkra dig om att apparaten fungerar som den ska och kan användas för det den är avsedd för. Använd inte apparaten om något skydd eller någon del av höljet är skadat eller inte sitter på plats. Använd inte apparaten om någon del har skadats eller gått sönder. Använd inte apparaten om det inte går att starta och stänga av den med strömbrytaren. Reparera eller byt ut skadade eller trasiga delar på en auktoriserad verkstad.
- ◆ Kontrollera ofta om sladden har några skador. Om sladden är skadad måste den för undvikande av fara bytas ut av en auktoriserad verkstad. Kontrollera förlängningssladdarna med jämna mellanrum. Byt ut skadade förlängningssladdar omedelbart.
- ◆ För att garantera säker användning av apparaten ska du se till så att alla muttrar, bultar och skruvar är ordentligt åtdragna.
- ◆ Se efter om gräsbehållaren är slitna eller skadade och byt ut den vid behov. Använd aldrig apparaten utan gräsbehållaren.
- ◆ När den inte används bör apparaten förvaras torr. Placera apparaten på ettställe där barn inte kan komma åt den.
- ◆ När du byter ut skärverktygen ska du vara noga med att rätt sort används.
- ◆ Använd endast reservdelar och tillbehör som rekommenderas av Black & Decker.

Säkerhet för andra

- ◆ Apparaten ska inte användas av personer (inklusive barn) med nedsatt fysisk eller psykisk förmåga eller bristande erfarenhet eller kunskap, om de inte får vägledning och övervakas av en person som ansvarar för deras säkerhet.
- ◆ Barn ska hållas under uppsikt så att de inte leker med apparaten.

Varningssymboler

Apparaten är märkt med följande varningssymboler:



Läs bruksanvisningen innan du använder apparaten.

Utsätt inte apparaten för regn och väta.

Håll åskådare borta.

Se upp för de vassa räfstånden. Räfstånden fortsätter att rotera efter att motorn stängts av. Dra ut stickkontakten ur eluttaget innan du utför underhåll eller om sladden är skadad.

Håll sladden borta från räfstånden.

Räfstånden fortsätter att rotera efter att maskinen stängts av.

Elektrisk säkerhet



Eftersom verktyget är dubbelisolerat behövs ingen jordledare. Kontrollera alltid att nätspänningen överensstämmer med värdet på typskylten.

- ◆ Om nätsladden är skadad måste den för undvikande av fara bytas ut av tillverkaren eller en auktoriserad Black & Decker-verkstad.
- ◆ Elsäkerheten kan förbättras ytterligare genom att man använder en jordfelsbrytare med hög känslighet (30 mA).

Använda förlängningssladd

Använd alltid en godkänd förlängningssladd som är lämplig för strömförsörjning till det här verktyget (se tekniska data). Förlängningssladden måste vara anpassad och märkt för utomhusbruk. Det går att använda en 1,5 mm² HO5V V-F-förlängningssladd som är upp till 30 m lång utan att produktens prestanda påverkas. Innan användning bör du kontrollera att förlängningssladden inte är skadad, slitna eller gammal. Om sladden är skadad eller inte fungerar ska den bytas ut. Om du använder en kabelvinda bör du alltid se till att rulla ut hela sladden.

Delar

1. Gräsbehållare
2. Motorkåpa
3. Kontaktlåda
4. Låsknapp
5. Strömbrytarhandtag

Montering

Varning! Se till att verktyget är avstängt samt att det inte är anslutet innan du påbörjar monteringen.

Montering av handtagets övre del (bild A)

- ◆ Innan du monterar handtagets övre del på den undre delen ska du trä på sladdhållaren på den övre delen.
- ◆ Sätt ihop den nedre delen av handtaget (7) med den övre delen av handtaget (6) med hjälp av muttrarna (10), brickorna (9) och skruvarna (8) enligt bilden.

Montering av handtagets nedre del (bild C)

- ◆ Sätt i ändarna på den nedre delen av handtaget (7) i motsvarande öppningar i redskapet..
- ◆ Tryck ner handtaget så långt det går.
- ◆ Fäst handtaget med skruvarna (12).

Fästa sladden (bild B)

Nätsladden måste fästas med sladdklämmorna.

- ◆ Fäst den ena klämman (11) på sladden som går från kontaktlådan (3) till motorn. Fäst klämman på den nedre delen av handtaget (7).
- ◆ Fäst den andra klämman (11) på sladden som går från kontaktlådan (3) till motorn. Fäst klämman på den övre delen av handtaget (7).

Varning! Kontrollera att sladden sitter fast ordentligt innan du ansluter kontakten till eluttaget.

Montera gräsbehållaren (bild D)

- ◆ Placera redskapet i arbetsläge. Sätt sedan gräsbehållaren (1) över fästena på redskapets framkant.

Justering av räfshöjd (bild E)

Apparaten har tre höjdlägen: lågt, medel och högt. Du ställer in höjden genom att välja något av de tre lägena på höjdreglaget på den bakre rullen (13).

- ◆ Tryck på låsknappen som sitter på höjdreglaget och vrid reglaget till något av de tre lägena enligt bild E. När du har valt ett läge släpper du låsknappen och låter den haka i apparaten (2).
- ◆ De tre lägena är utmärkta på sidan av apparaten (se bild E).

Apparatens tre höjdlägen:

- ◆ **Den lägsta nivån (1).** Använd den här inställningen när du vill ha maximal genomräfsning av gräsmattan. Med den här inställningen tar apparaten bort allt skräp och

torrt gräs som har samlats längst ner i gräsmattan.

Även mossa och ogräs avlägsnas.

- ◆ **Medelnivån (2).** Använd den här inställningen när du vill ha måttlig genomräfsning av gräsmattan. Den här inställningen lämpar sig för de flesta gräsmattor.
- ◆ **Den högsta nivån (3).** Med den här inställningen räfsas gräsmattan lätt. Med den här inställningen kan apparaten även användas för att "lyfta upp" tillplattat gräs och stoloner (krypande grässtrån och ogräs, t.ex. klöver) så att du kan klippa dem. Denna inställning för lätt räfsning är perfekt för att samla upp löv eller kvarlämnat klippt gräs.

Övriga risker

Ytterligare risker som inte finns med i de bifogade säkerhetsföreskrifterna kan uppstå när verktyget används. Dessa risker kan uppstå vid felaktig eller långvarig användning, etc.

Även om alla relevanta säkerhetsföreskrifter följs och säkerhetsanordningar används kan vissa ytterligare risker inte undvikas. Dessa innefattar:

- ◆ Skador orsakade av att roterande/rörliga delar vidrörs.
- ◆ Skador som uppstår vid byte av delar, blad eller tillbehör.
- ◆ Skador som orsakas av långvarig användning av ett verktyg. Se till att ta regelbundna raster när du använder ett verktyg under en längre period.
- ◆ Skador på hörseln.
- ◆ Hälsofaror orsakade av inandning av damm när verktyget används (exempel: arbete med trä, särskilt ek, bok och MDF).

Användning

Starta och stänga av

Starta apparaten

- ◆ Håll handtaget med båda händerna och tippa det en aning nedåt så att framsidan av apparaten höjs.
- ◆ Tryck på låsknappen (4) och dra strömbrytarhandtaget (5) mot dig.
- ◆ Släpp upp låsknappen (4).
- ◆ Låt apparaten återgå till arbetsläget.

Stänga av apparaten

- ◆ Stäng av apparaten genom att släppa strömbrytarhandtaget (5).

Försök aldrig låsa eller fixera strömbrytaren i påslaget läge.

Varning! Låt apparaten arbeta i sin egen takt. Överbelasta den inte.

För att sköta en gräsmatta ordentligt räcker det inte med att klippa den en gång i veckan under sommarmånaderna. En gräsmatta mår bra av att räfsas ordentligt, så att den befrias från visset gräs, mossor och ogräs som kan förstöra den.

Om dött gräs tillåts ligga kvar och ansamlas bildas ett absorberande fibertäcke som hindrar vatten från att tränga igenom till marken. Om vattnet stannar kvar i täcket kan grässjukdomar uppstå och friskt gräs kan hindras från att slå rot.

- ◆ Lägg den hoprullade delen av förlängningssladden på gräsmattan nära utgångsläget (bild F, läge 1).
- ◆ Håll i handtaget med båda händerna och håll den övre delen av förlängningssladden i den hand som inte ligger på strömbrytarhandtaget.

Varning! Försök inte hantera apparaten med en hand – du måste använda båda händerna.

- ◆ Starta apparaten enligt beskrivningen ovan.
- ◆ Gå genom arbetsområdet från läge 1 mot läge 2. När du når läge 2 svänger du åt höger och fortsätter mot läge 3. Fortsätt tills du når slutet av arbetsområdet, sväng till vänster och fortsätt mot läge 4.
- ◆ Fortsätt på samma sätt som visas i bilden till vänster och se till att alltid förflytta dig i riktning bort från sladden. Gör inte som i den högra bilden, dvs. arbeta inte i riktning mot sladden, eftersom detta kan leda till olyckor.

När du är klar med arbetet rekommenderar vi att du tömmer apparaten på skräp innan du ställer undan den. Se avsnittet "Underhåll" i den här bruksanvisningen.

Obs! För bästa resultat bör du räfsa gräsmattan eller det gräsbevuxna området regelbundet och inte använda apparaten när gräset är vått.

- ◆ När du kommer till slutet av gräsmattan trycker du handtaget nedåt, så att hjulen inte tippas ner över kanten.
- ◆ För att tänderna ska hålla längre bör du ta bort löst skräp och stenar från gräsmattan innan du använder apparaten.

Varning! Anslut inte en skadad sladd till eluttaget. Vidrör inte en skadad sladd förrän du har dragit ut den ur eluttaget. En skadad sladd kan göra att du kommer i kontakt med strömförande delar.

Varning! Vidrör inte räfständerna medan redskapet fortfarande är anslutet till elnätet, eller medan räfständerna fortfarande är i rörelse.

Varning! Barn måste hållas under uppsikt så att de inte leker med redskapet.

Varning! Detta redskap är inte avsett att användas av personer (inklusive barn) som har nedsatt funktion i sinnesorganen, som har nedsatt fysisk eller mental förmåga, eller som saknar erfarenhet och kunskap, utom i de fall då en person som är ansvarig för deras säkerhet övervakar dem eller instruerar dem i hur redskapet ska användas.

Råd för bästa resultat

Tvinga inte apparaten genom gräs som är för långt. Vi rekommenderar inte att apparaten används på gräs som är längre än 75 mm (3 tum).

- ◆ Använd inte apparaten när det är blött eller fuktigt.
- ◆ Använd apparaten regelbundet för bästa resultat. Vi rekommenderar att du använder apparaten för att ge gräsmattan en ordentlig genomräfsning i början och i slutet av varje gräsklippningssäsong. Du bör även använda apparaten varje gång du har klippt gräset för att ta bort avklippt gräs som ligger kvar.
- ◆ Räfsa först i en riktning och sedan, vid nästa tillfälle, i rät vinkel mot förra gången. Om du gör detta kan gräset till en början se gles och spretigt ut, men det återhämtar sig snabbt.

Underhåll

Denna Black & Decker-apparat har tillverkats för att fungera under lång tid med ett minimum av underhåll. Med rätt underhåll och regelbunden rengöring behåller apparaten sin prestanda.

- ◆ Håll apparaten ren och torr.
- ◆ Rengör regelbundet ventilationsöppningen med en ren och torr målarborste.
- ◆ Ta med jämna mellanrum bort gräs och smuts från apparaten med en slö skrapa.
- ◆ Använd bara mild tvål och en fuktig trasa för att rengöra apparaten. Låt aldrig någon vätska komma in i apparaten och doppa den aldrig i någon vätska. Använd inte rengöringsprodukter som innehåller lösnings- eller slipmedel.

Felsökning

Om produkten inte fungerar som den ska följer du instruktionerna nedan. Om problemet kvarstår kontaktar du närmaste Black & Decker-verkstad.

Varning! Dra ut kontakten ur uttaget innan du sätter igång.

Motorn låter, men tänderna rör sig inte

- ◆ Ta försiktigt bort föremål som ligger i vägen för tänderna.

Motorn låter inte och tänderna rör sig inte

- ◆ Kontrollera att strömsladdarna är korrekt anslutna.
- ◆ Kontrollera säkringarna.

EG-deklaration om överensstämmelseMASKINDIREKTIV
BULLERFÖRESKRIFTER, UTMOMHUS**GD300, GD300X**

Black & Decker garanterar att produkterna som beskrivs under "Tekniska data" uppfyller:

2006/42/EG
EN60335-1, EN60335-2-92

2000/14/EC, Rivare, Annex V,

Den akustiska effekten enligt 2000/14/EG (Artikel 13, Annex III):

 L_{WA} (uppmätt ljudnivå) 95 dB
osäkerhet (K) 3 dB(A) L_{WA} (garanterad ljudnivå) 98 dB
osäkerhet (K) 3 dB(A)

De här produkterna överensstämmer även med direktivet 2004/108/EG och 2011/65/EU.

Mer information får du genom att kontakta

Black & Decker på följande adress eller titta i slutet av bruksanvisningen.

Undertecknad är ansvarig för sammanställningen av tekniska data och gör denna försäkran för Black & Decker.

Kevin Hewitt
Vice-President Global Engineering
Black & Decker Europe,
210 Bath Road, Slough,
Berkshire, SL1 3YD
Storbritannien
29/10/2012**Miljö**

Separat insamling. Produkten får inte kastas i hushållssoporna.

När du någon gång i framtiden ska kassera denna Black & Decker-produkt ber vi dig att inte kasta den tillsammans med hushållsavfallet, utan lämna den för separat insamling.



Insamling av uttjänta produkter och förpackningsmaterial gör att material kan återanvändas. Användning av återvunnet material minskar föroreningar av miljön och behovet av råmaterial.

Lokala föreskrifter kan kräva separat insamling av elprodukter från hushållen, vid kommunala insamlingsplatser eller hos återförsäljaren när du köper en ny produkt.

Black & Decker samlar in och återvinner uttjänta Black & Decker-produkter. Om du vill utnyttja denna tjänst återlämnar du produkten till en auktoriserad verkstad, som samlar in den för vår räkning.

För information om närmaste auktoriserade verkstad, kontakta det lokala Black & Decker-kontoret på den adress som är angiven i bruksanvisningen. En lista över alla auktoriserade verkstäder samt servicevillkor finns även tillgänglig på Internet: www.2helpU.com.**Tekniska data**

| | GD300 TYP 1 | GD300X TYP 1 |
|-------------------|------------------------|-------------------------|
| Spänning | V AC 230 | 230 |
| Ineffekt | W 600 | 500 |
| Tomgångshastighet | min ⁻¹ 3000 | 3000 |
| Höjdställning | cm -2/3/8 | -2/3/8 |
| Vikt | kg 7 | 7 |

| |
|---|
| Ljudnivå: |
| Ljudnivå (L_{pA}) 76 dB(A), osäkerhet (K) 3 dB(A) |
| Ljudeffekt (L_{WA}) 95 dB(A), osäkerhet (K) 3 dB(A) |

| |
|--|
| Totala vibrationsvärden (vektorsumman av tre axlar) enligt EN 13684: |
| Vibrationsvärde (a_v) <2.5 m/s ² , osäkerhet (K) 1.5 m/s ² |

Garanti

Black & Decker garanterar att produkten är fri från material- och/eller fabriktionsfel vid leverans till kund. Garantin gäller utöver konsumentens rättigheter enligt lag och påverkar inte dessa. Garantin gäller inom medlemsstaterna i Europeiska Unionen och i det Europeiska Frihandelsområdet.

Om en Black & Decker-produkt går sönder på grund av material- och/eller fabriktionsfel eller brister i överensstämmelse med specifikationen, inom 24 månader från köpet, åtar sig Black & Decker att reparera eller byta ut produkten med minsta besvär för kunden, förutom om:

- ◆ Produkten har använts i kommersiellt syfte, yrkesmässigt syfte eller uthyringssyfte.
- ◆ Produkten har utsatts för felaktig användning eller skötsel.
- ◆ Produkten har skadats av främmande föremål eller ämnen eller genom olyckshändelse.
- ◆ Reparation har utförts av någon annan än en auktoriserad Black & Decker-verkstad.

För att utnyttja garantin skall produkten och inköpskvittot lämnas till återförsäljaren eller till en auktoriserad verkstad.

För information om närmaste auktoriserad verkstad, kontakta det lokala Black & Decker-kontoret på den adress som är angiven i bruksanvisningen. En lista på alla auktoriserade verkstäder samt servicevillkor finns även tillgängliga på Internet: www.2helpU.com.

Besök vår webbplats www.blackanddecker.se för att registrera din nya Black & Decker-produkt och för att få information om nya produkter och specialerbjudanden. Ytterligare information om märket Black & Decker och vårt produktsortiment återfinns på www.blackanddecker.se.

Bruksområde

Din Black & Decker mosefjerner er utformet for å rake plener for å fjerne rusk, strå, mose og ugress som kan skjemme en plen. Verktøyet er beregnet bare for privat bruk.

Sikkerhetsinstrukser

Advarsel! Når du bruker produkter som drives med strøm fra nettet, må du alltid følge grunnleggende sikkerhetsforholdsregler, inkludert punktene som er beskrevet nedenfor, så du reduserer risikoen for brann, elektrisk støt og personskade.

- ◆ Les hele håndboken nøye før du bruker maskinen.
- ◆ Før du bruker maskinen, må du sørge for at du vet hvordan du slår den av i en nødsituasjon.
- ◆ Oppbevar håndboken for fremtidig referanse.

Opplæring

- ◆ Les disse instruksjonene grundig. Gjør deg kjent med betjeningen og riktig bruk av maskinen.
- ◆ Ikke la barn eller andre som ikke kjenner til disse instruksjonene, bruke maskinen. Lokale bestemmelser kan legge begrensninger på brukerens alder.
- ◆ Ikke bruk maskinen hvis det er personer, spesielt barn, eller dyr i nærheten.
- ◆ Husk at brukeren vil bli gjort ansvarlig for ulykker eller skader på personer eller deres eiendom.

Forberedelser

- ◆ Bruk solide sko eller støvler for å beskytte føttene. Ikke bruk maskinen når du har på sandaler uten tær eller er barbert. Bruk lange bukser for å beskytte bena.
- ◆ Benytt vernebriller når du bruker denne maskinen. Bruk ansiktsmaske eller støvmaske når du arbeider under forhold med støv. Bruk hørselvern når lydnivået er ubehagelig.
- ◆ Vær mot elektrisk støt. Unngå å komme i kontakt med jordede overflater (f.eks. metallrekkeverk, lyktestolper osv.).
- ◆ Før du begynner arbeidet, kontrollerer du at det ikke er pinner, steiner, tråd eller andre gjenstander i rakebanene.

Bruk

- ◆ Ikke bruk maskinen med defekte vern eller skjold eller uten at sikkerhetsinnretninger, for eksempel deflektorer og/eller gressamlere, er på plass.
- ◆ Bruk maskinen bare i dagslys eller godt kunstig lys.
- ◆ Ikke utsett maskinen for regn. Ikke bruk maskinen hvis det er fuktig eller vått. Maskinen skal helst ikke brukes i vått gress.
- ◆ Pass på at du har godt fotfeste, særlig i skråninger. Husk at nylig kuttet gress er fuktig og glatt. Ikke arbeid i bratte skråninger.

- ◆ Arbeid på langs av skråninger, aldri opp og ned. Vær svært forsiktig når du endrer retning i skråninger.
- ◆ Gå, og løp aldri, når du bruker maskinen. Ikke trekk maskinen mot deg, og gå ikke baklengs når du bruker maskinen.
- ◆ Skru på maskinen i samsvar med instruksjonene, og ha føttene godt unna tindene.
- ◆ Ikke vipp maskinen når du slår den på, hvis ikke maskinen må vippes for starting. Hvis dette er tilfellet, vipper du ikke maskinen mer enn absolutt nødvendig, og løfter bare den delen som er lengst fra brukeren. Pass alltid på at begge hender er i betjeningsposisjon før du setter maskinen ned på bakken igjen.
- ◆ Skru av maskinen, og vent til tindeenheten stanser hvis maskinen må vippes for flytting når du krysser andre overflater enn gress, og når du flytter maskinen til og fra området som skal rakes.
- ◆ Ikke løft eller bær maskinen før tindene har stanset helt.
- ◆ Hold hendene og føttene godt unna tindene. Ikke ha hendene eller føttene i nærheten av eller under roterende deler.
- ◆ Hold deg alltid unna utmatingsåpninger.
- ◆ Slå av maskinen, trekk støpset ut av stikkkontakten, og forsikre deg om at bevegelige deler har sluttet å rotere før du lar maskinen stå uten tilsyn, og før du skifter, rengjør eller kontrollerer noen deler av maskinen eller fjerner en blokkering.
- ◆ Hvis maskinen begynner å vibrere unormalt, eller hvis du treffer en fremmed gjenstand, slår du av maskinen og trekker støpset ut av stikkkontakten. Kontroller om maskinen har fått noen skade.
- ◆ Pass på å holde strømkabelen unna tindene. Vær alltid klar over hvor kabelen er.
- ◆ Motoren fortsetter å gå noen sekunder etter at du har slått av maskinen. Prøv aldri å stanse tindene med makt.

Vedlikehold og oppbevaring

- ◆ Kontroller at maskinen ikke er skadet eller har defekte deler før du bruker den. Kontroller at bevegelige deler ikke er ute av posisjon og ikke klemmes fast, at deler ikke er brukket eller skadet, at vern eller brytere er ikke skadet, og at det ikke er andre forhold som kan virke inn på funksjonen. Forsikre deg om at maskinen fungerer riktig og utfører sin tiltenkte funksjon. Bruk aldri maskinen hvis noe vern eller noe deksel er skadet eller ute av posisjon. Ikke bruk maskinen hvis den har skadde eller defekte deler. Ikke bruk maskinen hvis bryteren ikke slår den på og av. Overlat reparasjon eller utskifting av skadde eller defekte deler til et autorisert serviceverksted.

- ◆ Kontroller ofte at kabelen ikke er skadet. Hvis kabelen er skadet, må den skiftes hos en autorisert Black & Decker-reparatør så man unngår fare. Undersøk skjøteledninger regelmessig. Skift ut skjøteledningen straks hvis den er skadet.
- ◆ Pass på at alle mutre og skruer på maskinen er godt tilskrudd, så du sikrer trygge arbeidsforhold.
- ◆ Kontroller om gressamleren er slitt eller skadet, og bytt den hvis det trengs. Bruk aldri maskinen uten gressamleren.
- ◆ Når maskinen ikke er i bruk, skal den oppbevares på et tørt sted. Barn skal ikke ha tilgang til maskiner som ikke er i bruk.
- ◆ Pass på at det bare brukes reserveskjærerredskaper av riktig type.
- ◆ Bruk bare reservedeler og tilbehør som anbefales av Black & Decker.

Andre personers sikkerhet

- ◆ Det er ikke meningen at denne maskinen skal brukes av personer (inkludert barn) med reduserte fysiske, sansemessige eller mentale evner, eller som mangler erfaring og kunnskap, med mindre de har fått oppfølging eller instruksjon når det gjelder bruken av maskinen, fra en person som er ansvarlig for deres sikkerhet.
- ◆ Barn skal være under tilsyn så du er sikler på at de ikke leker med maskinen.

Advarselssymboler

Maskinen er merket med følgende advarselssymboler:



Les håndboken før bruk.

Hold maskinen unna regn eller høy fuktighet.

Hold andre personer unna.

Se opp for skarpe tinder. Tindene fortsetter å rotere etter at motoren er slått av. Trekk støpselet ut av kontakten før vedlikehold eller hvis ledningen er skadet.



Hold kabelen borte fra skjæretindene.

Tindene fortsetter å rotere etter at maskinen er slått av.

Elektrisk sikkerhet



Denne maskinen er dobbeltisolert. Jording er derfor ikke nødvendig. Kontroller at spenningen er i overensstemmelse med spenningen på typeskiltet.

- ◆ Hvis strømledningen blir skadet, må den skiftes av produsenten eller et autorisert Black & Decker-servicesenter så man unngår fare.
- ◆ Strømsikkerheten kan forbedres ytterligere ved bruk av jordfeilbryter på 30 mA med høy følsomhet (RCD).

Bruke skjøteledning

Bruk alltid en godkjent skjøteledning som passer til strøminngangen for dette verktøyet (se tekniske data). Skjøteledningen må passe for utendørs bruk og skal være merket i samsvar med dette. Opptil 30 m 1,5 mm² HO5V V-F-skjøtekabel kan brukes uten tap av ytelse for produktet. Før bruk undersøkes skjøteledningen for tegn på skade, slitasje og aldring. Bytt skjøteledningen hvis den er skadet eller defekt. Når du bruker en kabelsnelle, må du alltid rulle ut kabelen helt.

Funksjoner

1. Gressamler
2. Motordeksel
3. Bryterhus
4. Låseknapp
5. Bryterhåndtak

Montering

Advarsel! Før monteringen må du passe på at maskinen er slått av, og at kontakten er trukket ut.

Montere øvre del av håndtaket (figur A)

- ◆ Pass på at kabelholderen er satt på øvre del av håndtaket før montering.
- ◆ Fest den nedre delen (7) av håndtaket til den øvre delen (6) ved å bruke knottene (10), skivene (9) og skruene (8) som vist.

Montere nedre del av håndtaket (figur C)

- ◆ Sett endene av nedre del (7) av håndtaket inn i de tilsvarende hullene i maskinen.
- ◆ Trykk håndtaket så langt ned som det går.
- ◆ Fest håndtaket med skruene (12).

Feste kabelen (figur B)

Motorledningen må festes med kabelholderne.

- ◆ Sett det ene festet (11) på kabelen som går fra bryterhuset (3) til motoren. Sett festet på den nedre delen (7) av håndtaket.
- ◆ Klikk den andre holderen (11) på ledningen fra bryterhuset (3) til motorkontakten. Sett festet på den øvre delen av håndtaket (7).

Advarsel! Pass på at kabelen er godt festet med kabelfestene før du setter støpselet i stikkkontakten.

Montere gressamleren (figur D)

- ◆ Med maskinen i arbeidsposisjon setter du gressamleren (1) over tappene foran på maskinen.

Justering av rakehøyde (figur E)

Det er tre innstillinger for rakehøyde på maskinen: lav, middels og høy. Du velger disse ved å endre stillingen til høydejusteringen med tre posisjoner, som befinner seg på den bakre rullen (13).

- ◆ Trykk på låseknappen på høydejusteringen med tre stillinger, og drei justeringen til en av de mulige posisjonene som vist i figur E. Når den er i den ønskede stillingen, slipper du låseknappen så den festes i godset på maskinen (2).
- ◆ De tre stillingene er identifisert med merker på siden av godset på maskinen som vist i figur E.

Dette er de tre innstillingene for rakehøyde på maskinen:

- ◆ **Laveste innstilling (1).** Denne innstillingen bruker du hvis du vil rake plenen spesielt kraftig. I denne innstillingen vil maskinen fjerne alt rusk og alle strå som har samlet seg ved bunnen av gresset. Ved denne innstillingen vil den også fjerne mose og ugress.
- ◆ **Middels innstilling (2).** Denne innstillingen bruker du hvis du vil rake plenen moderat. Denne innstillingen vil passe for de fleste plener.
- ◆ **Høyeste innstilling (3).** Ved denne innstillingen rakes og feies plenen forsiktig. Maskinen kan også brukes med denne innstillingen til å "løfte" liggende gress og utløpere (krypende stikler av planter og ugress som kløver) slik at du kan slå dem. Innstillingen for feiing/ forsiktig raking er ideell for løv som har falt, og for å samle opp kuttet gress som ligger igjen på plenen etter klipping.

Andre risikoer

Ved bruk av verktøyet kan det oppstå ytterligere risikoer som kanskje ikke er inkludert i sikkerhetsadvarslene som følger med. Disse risikoene kan bli forårsaket av feil bruk, langvarig bruk osv.

Selv om de relevante sikkerhetsbestemmelsene blir fulgt, og sikkerhetstiltakene blir gjennomført, kan visse gjenværende risikoer ikke unngås. Disse omfatter:

- ◆ Personskader som forårsakes av berøring av en roterende/bevegelig del.
- ◆ Personskader som forårsakes av at en del, et blad eller tilbehør endres.
- ◆ Personskader som forårsakes av langvarig bruk av et verktøy. Når du bruker et verktøy i lange perioder, må du sørge for å ta regelmessige pauser.
- ◆ Svekket hørsel.
- ◆ Helsefarer som forårsakes av innånding av støv som dannes når du bruker verktøyet (eksempel: arbeid med tre, spesielt eik, bøk og MDF).

Bruk

Start og stopp

Slå på

- ◆ Hold håndtaket med begge hender, og vipp det litt ned for å løfte fronten av maskinen.
- ◆ Trykk på utløserknappen (4), og trekk bryterhåndtaket (5) mot deg.
- ◆ Slipp utløserknappen (4).
- ◆ Slipp maskinen ned til arbeidsstilling.

Slå av

- ◆ Når du skal slå maskinen av, slipper du bryterhåndtaket (5). Ikke prøv å låse en bryter i stillingen "på".

Advarsel! La maskinen arbeide i sitt eget tempo.

Ikke overbelast den.

Hvis du skal stelle en plen godt, må du gjøre mer enn bare å slå den en gang i uken om sommeren. Plenen vil ha godt av kraftig raking av gresset så du fjerner dødt materiale, mose og ugress som skjember plenen. Oppsamlingen av dødt gress gir en matte av absorberende fibre som hindrer vannet i å komme ned i bakken, og hvis denne maten stadig er full av vann, kan det fremme gressykdommer og hindre friskt gress i å slå rot.

- ◆ Legg det meste av skjøteledningen på plenen i nærheten av startpunktet (figur F, posisjon 1).
- ◆ Hold håndtaket med begge hender, og hold den øvre delen av skjøteledningen i hånden som ikke betjener bryterhåndtaket.

Advarsel! Ikke prøv å betjene maskinen med en hånd.

Du må styre den med begge hender.

- ◆ Sku på som beskrevet ovenfor.
- ◆ Gå bortover rakeområdet fra posisjon 1 til posisjon 2, og når du kommer til posisjon 2, snur du til høyre og fortsetter mot posisjon 3. Fortsett til slutten av rakeområdet, snu til venstre og fortsett mot posisjon 4.
- ◆ Fortsett på samme måte som vist i den venstre figuren, idet du hele tiden arbeider deg bort fra kabelen. Ikke bruk metoden som er vist i figuren til høyre, der du arbeider deg mot kabelen, da dette er farlig.

Vi anbefaler at du fjerner alt rusk fra maskinen når du er ferdig med å bruke den. Se i delen "Vedlikehold" i denne håndboken.

Merknad: Du får best resultat når du raker plenen eller gressområdet regelmessig og ikke raker når gresset er vått.

- ◆ Når du raker over kanten av plenen, trykker du håndtaket ned så ikke hjulene går over kanten.
- ◆ Du forlenger levetiden for tindeenheten ved å fjerne løst rusk og steiner fra plenområdet.

Advarsel! Du må ikke koble en skadet ledning til strømkilden eller berøre en skadet ledning før den er koblet fra strømkilden. En skadet ledning kan føre til kontakt med strømførende deler.

Advarsel! Du må ikke berøre tidene før maskinen er koblet fra strømkilden og tundene har stanset helt.

Advarsel! Barn skal være under oppsyn så det sikres at de ikke leker med maskinen.

Advarsel! Det er ikke meningen at denne maskinen skal brukes av personer (inkludert barn) med reduserte fysiske, sansemessige eller mentale evner, eller som mangler erfaring og kunnskap, med mindre de har fått oppfølging eller instruksjon når det gjelder bruken av maskinen, fra en person som er ansvarlig for deres sikkerhet.

Råd for optimal bruk

Ikke tving maskinen gjennom gress som er for langt. Vi anbefaler at maskinen ikke brukes i gress som er lengre enn 75 mm.

- ◆ Skal ikke brukes under våte eller fuktige forhold.
- ◆ Du får best resultat hvis du bruker maskinen regelmessig. Vi anbefaler at du bruker maskinen ved begynnelsen og slutten av hver plenklippingssesong for å rake plenen grundig. Maskinen bør også brukes etter hver plenklippingssesong for å fjerne kuttet gress som kan ha blitt liggende igjen etter maskinen.
- ◆ Rak først i en retning og i ret vinkel på denne ved neste anledning. Gresset vil først se bart og uryddig ut, men det kommer seg fort.

Vedlikehold

Black & Decker-maskinen din er konstruert for å være i drift over lengre tid med et minimum av vedlikehold. Den er avhengig av riktig stell og regelmessig rengjøring for å fungere som den skal til enhver tid.

- ◆ Hold maskinen ren og tørr.
- ◆ Rengjør jevnlig ventilasjonsporene med en ren, tørr malerkost.
- ◆ Bruk et burt skraperedskap regelmessig for å fjerne gress og jord fra maskinen.
- ◆ Maskinen rengjøres bare med mild såpe og en fuktig klut. La det aldri sive væske inn i maskinen, og senk aldri noen deler av maskinen ned i væske. Ikke bruk slipende eller løsemiddelbaserte rengjøringsmidler.

Problemløsning

Hvis det ikke virker som maskinen fungerer riktig, følger du instruksjonene nedenfor. Hvis dette ikke løser problemet, kontakter du ditt lokale Black & Decker-serviceverksted.

Advarsel! Ta støpslet ut av kontakten før du fortsetter.

Motoren summer, men tindeenheten beveger seg ikke.

- ◆ Fjern alle hindringer omhyggelig fra tindene.

Det er ingen lyd, og tindeenheten beveger seg ikke.

- ◆ Kontroller at strømledningene er koblet til riktig.
- ◆ Kontroller sikringene på strømmettet.

Miljø

Separat avfallshåndtering. Dette produktet må ikke kastes sammen med vanlig husholdningsavfall.

Hvis du finner ut at Black & Decker-produktet ditt trenger å byttes ut, eller du ikke har bruk for det lenger, må du ikke kaste det med husholdningsavfallet. Sørg for at det blir levert inn separat.



Hvis brukte produkter og emballasje leveres atskilt, kan materialer resirkuleres og brukes på nytt. Resirkulering av brukte produkter gir redusert miljøforurensing og mindre behov for råmaterialer.

Det kan være lokale bestemmelser for egen innsamling av elektriske produkter fra husstander, på kommunale avfallsplasser eller hos forhandleren når du kjøper et nytt produkt.

Black & Decker tar i mot brukte Black & Decker-produkter for resirkulering. Du kan levere produktet til et autorisert serviceverksted.

For informasjon om nærmeste autoriserte serviceverksted, kontakt ditt lokale Black & Decker-kontor på den adressen som er angitt i bruksanvisningen. Det finnes også en liste over autoriserte Black & Decker-serviceverksteder og opplysninger om ettersalgsservice og kontakter på Internett: www.2helpU.com.

Tekniske data

| | GD300 TYPE 1 | GD300X TYPE 1 |
|---------------------|-------------------------|--------------------------|
| Spenning | V AC 230 | 230 |
| Inn-effekt | W 600 | 500 |
| Hastighet ubelastet | min ⁻¹ 3000 | 3000 |
| Høydejustering | cm -2/3/8 | -2/3/8 |
| Vekt | kg 7 | 7 |

Lydtrykknivå:

Lydtrykk (L_{pA}) 76 dB(A), usikkerhet (K) 3 dB(A)

Lydeffekt (L_{WA}) 95 dB(A), usikkerhet (K) 3 dB(A)

Totale vibrasjonsverdier (vektorsum fra tre retninger) i henhold til EN 13684:

Vibrasjonsemissionsverdi (a_{rv}) <2.5 m/s², usikkerhet (K) 1.5 m/s²

EF-samsvarserklæring
MASKINERIDIREKTIV
DIREKTIV FOR UTENDØRSSTØY

**GD300, GD300X**

Black & Decker erklærer at disse produktene som er beskrevet under "Tekniske data", er i samsvar med:

2006/42/EF
EN60335-1, EN60335-2-92

2000/14/EC, Scarifier, vedlegg V,

Nivået for akustisk effekt er i samsvar med 2000/14/EF (artikkel 13, vedlegg III):
 L_{WA} (målt lydeffekt) 95 dB
usikkerhet (K) 3 dB(A)
 L_{WA} (garantert lydeffekt) 98 dB
usikkerhet (K) 3 dB(A)

Disse produktene er også i samsvar med direktivet 2004/108/EF og 2011/65/EU.

Hvis du ønsker mer informasjon, kontakt Black & Decker på følgende adresse, eller se på baksiden av håndboken.

Undertegnede er ansvarlig for utarbeidelsen av den tekniske dokumentasjonen og gir denne erklæringen på vegne av Black & Decker.

Kevin Hewitt
Vice-President Global Engineering
Black & Decker Europe,
210 Bath Road, Slough
Berkshire, SL1 3YD
Storbritannia
29/10/2012

Garanti

Black & Decker er trygg på kvaliteten til sine produkter og tilbyr en enestående garanti. Denne garantierklæringen kommer i tillegg til dine lovbestemte rettigheter, og er ikke i konflikt med disse. Garantien er gyldig i EU- og EFTA-medlemsstatene.

Hvis et Black & Decker-produkt går i stykker på grunn av material- og/eller fabrikkasjonsfeil eller har mangler i forhold til spesifikasjonene, innen 24 måneder fra kjøpet, påtar Black & Decker seg å skifte ut defekte deler, reparere produkter som har vært utsatt for alminnelig slitasje, eller bytte ut slike produkter med minst mulig vanskelighet for kunden, med mindre:

- ◆ produktet har vært brukt i yrkes-/næringsvirksomhet eller til utleie.
- ◆ produktet har vært utsatt for feilaktig bruk eller mislighold.
- ◆ produktet har blitt skadet av fremmede gjenstander eller stoffer eller ved et uhell.
- ◆ reparasjoner er forsøkt utført av andre enn autoriserte serviceverksteder eller Black & Deckers serviceteknikere.

For å ta garantien i bruk skal produktet og kjøpekvitteing leveres til forhandleren eller til et autorisert serviceverksted. For informasjon om nærmeste autoriserte serviceverksted, kontakt ditt lokale Black & Decker-kontor på den adressen som er angitt i bruksanvisningen. En oversikt over autoriserte serviceverksteder og opplysninger om ettersalgsservice og kontakter er også tilgjengelig på Internett: **www.2helpU.com**.

Besøk vårt webområde **www.blackanddecker.no** for å registrere ditt nye Black & Decker-produkt og for å holde deg oppdatert om nye produkter og spesialtilbud. Du finner mer informasjon om Black & Decker og produktutvalget vårt på **www.blackanddecker.no**.

Anvendelsesområde

Din Black & Decker-plænelufteren konstrueret til at lufte græsplæner og fjerne efterladenskaber, plantedele, mos og ukrudt, som kan skæmme græsplænen. Dette værktøj er kun beregnet til privat brug.

Sikkerhedsvejledninger

Advarsel! Ved brug af apparater, der får strøm fra forsyningsnettet, er det vigtigt, at grundlæggende sikkerhedsforholdsregler, herunder bl.a. nedenstående, altid følges for at mindske risikoen for brand, elektrisk stød og personskade.

- ◆ Læs hele denne vejledning omhyggeligt, før apparatet betjenes.
- ◆ Sørg for at sætte dig ind i, hvordan apparatet slukkes i tilfælde af en nødsituation, inden du betjener det.
- ◆ Opbevar denne vejledning til fremtidig brug.

Oplæring

- ◆ Læs instruktionerne omhyggeligt. Sæt dig ind i betjeningsknapperne og korrekt brug af apparatet.
- ◆ Lad ikke børn eller personer, der ikke har læst disse instruktioner, betjene apparatet. Lokale regler kan diktere, at operatøren skal have en vis alder.
- ◆ Brug aldrig apparatet, mens der er andre i nærheden, især børn eller kæledyr.
- ◆ Husk, at operatøren er ansvarlig for ulykker eller risici, som andre eller andres ejendom udsættes for.

Klædning

- ◆ Bær solide sko eller støvler for at beskytte dine fødder. Betjen ikke apparatet uden sko eller iført sandaler. Bær lange bukser for at beskytte dine ben.
- ◆ Bær beskyttelses- eller sikkerhedsbriller, når du betjener dette værktøj. Brug en ansigts- eller støvmaske, når der arbejdes i støvede omgivelser. Der bør altid bæres høreværn, når støjniveauet er ubehageligt.
- ◆ Beskyttelse mod elektrisk stød. Undgå kropskontakt med jordede overflader (f.eks. metalgældere, lygtepæle osv.).
- ◆ Kontroller, at dit arbejdsområde er ryddet for grene, sten, tråd og andre genstande.

Betjening

- ◆ Betjen aldrig apparatet med defekte beskyttelsesanordninger eller afskærmninger, eller uden at sikkerhedsanordninger som f.eks. deflektorer og/eller græsopfangeren er på plads.
- ◆ Brug kun apparatet i dagslys eller ved god kunstig belysning.

- ◆ Udsæt ikke apparatet for regn. Brug ikke apparatet under fugtige eller våde forhold. Det er bedst ikke at bruge apparatet i vådt græs.
- ◆ Sørg for godt fodfæste, især på skrånninger. Husk, at nyslået græs er fugtigt og glat. Undgå at arbejde på stejle skrånninger.
- ◆ Arbejd på langs af skrånningen, aldrig op og ned. Vær særlig forsigtig, når du ændrer retning på skrånninger.
- ◆ Gå, løb aldrig, mens du bruger apparatet. Træk ikke apparatet mod dig selv, og gå ikke baglæns, mens du bruger apparatet.
- ◆ Følg vejledningen, når du tænder apparatet, og sørg for god afstand mellem dine fødder og tænderne.
- ◆ Undgå at vippe apparatet, når du tænder det, undtagen hvis apparatet skal vippes for at starte. I det tilfælde må apparatet ikke vippes mere end absolut højst nødvendigt, og løft kun den del, der vender væk fra operatøren. Begge hænder skal altid være i betjeningspositionen, inden apparatet føres tilbage mod jorden.
- ◆ Sluk apparatet, og vent, indtil tænderne holder op med at køre, hvis apparatet skal vippes med henblik på transport ved overgange med ikke-græsbelædte overflader og ved transport af apparatet til og fra området, der skal luftes.
- ◆ Løft eller bær ikke apparatet, før tænderne er holdt helt op med at bevæge sig.
- ◆ Hold hænder og fødder på afstand af tænderne. Anbring ikke hænderne eller fødderne i nærheden af eller under roterende dele.
- ◆ Hold til enhver tid afstand til udblæsningsåbninger.
- ◆ Sluk apparatet, tag stikket ud af stikkontakten, og kontroller, at alle bevægelige dele er holdt op med at rotere, inden apparatet efterlades uden opsyn, og før du udskifter, rengør eller kontrollerer nogen dele af apparatet eller fjerner en eventuel blokering.
- ◆ Sluk for apparatet, og tag stikket ud af stikkontakten, hvis apparatet begynder at vibrere unormalt, eller hvis du rammer en genstand. Kontroller apparatet for beskadigelse.
- ◆ Sørg for, at ledningen ikke kommer i nærheden af tænderne. Vær altid opmærksom på ledningens position.
- ◆ Motoren kører videre et par sekunder, efter at apparatet slukkes. Forsøg aldrig at tvinge tænderne til at stoppe.

Vedligeholdelse og rengøring

- ◆ Før brug skal apparatet kontrolleres for beskadigede eller defekte dele. Kontroller, at de bevægelige dele ikke har sat sig fast, kontroller for skævheder, brud, skader på beskyttelsesanordninger og kontakter samt andet, som kan påvirke apparatets funktion. Kontroller, at apparatet fungerer korrekt og udfører den tilsigtede funktion. Brug aldrig apparatet, hvis en af beskyttelsesanordningerne eller afskærmningerne er beskadiget eller ikke er på plads. Brug ikke apparatet, hvis nogen del af det er beskadiget eller defekt. Brug ikke apparatet, hvis afbryderen er defekt. Sørg for at få beskadigede eller defekte dele repareret eller udskiftet på et autoriseret værksted.
- ◆ Kontroller ofte netledningen for beskadigelse. Hvis netledningen er beskadiget, skal den udskiftes af et autoriseret reparationsværksted, så farlige situationer kan forhindres. Undersøg forlængerledninger regelmæssigt. Udskift straks en forlængerledning, hvis den er beskadiget.
- ◆ Sørg for, at alle apparatets møtrikker, bolte og skruer er tilspændt, så arbejdsforholdene er sikre.
- ◆ Kontroller græsboksen for slitage og beskadigelse, og udskift den om nødvendigt. Brug aldrig apparatet uden græsboks.
- ◆ Når apparatet ikke er i brug, skal det opbevares på et tørt sted. Børn må ikke have adgang til opbevarede apparater.
- ◆ Kontroller, at kun den rette type skæretilbehør anvendes.
- ◆ Brug kun reservedele og tilbehør, der anbefales af Black & Decker.

Andres sikkerhed

- ◆ Dette apparat må ikke bruges af personer (herunder børn) med nedsatte fysiske, sensoriske eller mentale evner eller manglende erfaring og viden, med mindre det sker under overvågning, eller de vejledes i brugen af apparatet af en person, der er ansvarlig for deres sikkerhed.
- ◆ Børn skal holdes under opsyn, så det sikres, at de ikke leger med værktøjet.

Advarselssymboler

Følgende advarselssymboler findes på apparatet.



Læs vejledningen inden brug.



Udsæt ikke apparatet for regn eller høj luftfugtighed.



Hold andre personer på afstand.



Pas på, tænderne er skarpe. Tænderne fortsætter rotationen, efter at motoren er slukket – tag stikket ud af stikkontakten inden vedligeholdelse, eller hvis ledningen er beskadiget



Hold netledningen på afstand af tænderne.



Tænderne fortsætter med at rotere, efter at maskinen er slukket.

Elektricitet og sikkerhed



Denne maskine er dobbelt isoleret. Derfor er jordledning ikke nødvendig. Kontroller altid, at strømforsyningen svarer til spændingen på typeskiltet.

- ◆ Hvis netledningen beskadiges, skal den udskiftes af producenten eller et autoriseret Black & Decker-værksted, så farlige situationer undgås.
- ◆ Den elektriske sikkerhed kan forbedres yderligere ved brug af en højfølsom 30 mA fejlstrømsafbryder.

Brug af en forlængerledning

Brug altid en godkendt forlængerledning, der er egnet til dette værktøjs indgangseffekt (se de tekniske data). Forlængerledningen skal være egnet til udendørs brug og mærket i overensstemmelse hermed. Der kan bruges en H05V V-F-forlængerledning på op til 30 m med et tværsnit på 1,5 mm², uden at produktets ydeevne forringes. Før brug skal forlængerledningen inspiceres for tegn på beskadigelse, slid og ældning. Udskift forlængerledningen, hvis den er beskadiget eller defekt. Rul ledningen helt ud, hvis der anvendes en kabeltromle.

Funktioner

1. Græsrebs
2. Motordæksel
3. Afbryderdåse
4. Låseknapp
5. Afbryder

Montering

Advarsel! Før montering skal man sikre sig, at apparatet er slukket og taget ud af stikkontakten.

Montering af det øverste håndgreb (fig. A)

- ◆ Løkken til fastgørelse af ledningen skal være sat på det øverste håndgreb inden monteringen.
- ◆ Sæt den nederste håndtagsdel (7) på det øverste håndtag (6) vha. grebene (10), spændskiverne (9) og skrueerne (8) som vist.

Montering af det nederste håndgreb (fig. C)

- ◆ Sæt det nederste håndgrebs (7) ender i de tilsvarende huller i plænelufteren.
- ◆ Tryk håndgrebet ned, så langt det kan komme.
- ◆ Fastgør håndgrebet med skrueerne (12).

Fastgøring af ledningen (fig. B)

Motorledningen skal sættes på vha. ledningsfæsterne.

- ◆ Sæt det ene fæste (11) på ledningen, der fører fra afbryderdåsen (3) til motoren. Sæt fæstet fast på det nederste håndgreb (7).
- ◆ Sæt det andet fæste (11) på ledningen, der fører fra afbryderdåsen (3) til motorens stik.. Sæt fæstet fast på det øverste håndgreb (7).

Advarsel! Kontroller, at ledningen er fastgjort vha. ledningsfæsterne, inden stikket sættes i stikkontakten.

Påsætning af græsboksen (fig. D)

- ◆ Anbring plænelufteren i arbejdsposition, og anbring græsboksen (1) over monteringsstederne på forsiden.

Justering af plænelufterens højde (fig. E)

Plænelufteren kan indstilles i tre højder: lav, mellem og høj. Højden vælges ved at placere anordningen til justering af højden i en af de tre mulige positioner, som findes på den bageste valse (13).

- ◆ Tryk på låseknappen på anordningen til justering af højden, og drej justeringsanordningen til en af de tre mulige positioner som vist i fig. E. Slip låseknappen, når den ønskede position er nået, så anordningen tilkobles plænelufterens chassis (2).
- ◆ De tre positioner er markeret på siden af plænelufterens chassis som vist i fig. E.

Plænelufterens tre højdepositioner er:

- ◆ **Laveste indstilling (1).** Brug denne indstilling, hvis du ønsker kraftig luftning af plænen. Med denne indstilling fjernes alle efterladenskaber og plantedele, som har samlet sig i bunden af plænen. Desuden fjernes mos og ukrudt.
- ◆ **Mellemindstilling (2).** Brug denne indstilling, hvis du ønsker moderat luftning af plænen. Denne indstilling passer til de fleste plæner.
- ◆ **Højeste indstilling (3).** Med denne indstilling luftes og fejles plænen let. Med denne indstilling kan plænelufteren også bruges til at "løfte" fladt græs og udløbere (krybende græsstængler og ukrudt som f.eks. kløver), som du så kan slå. Indstillingen til fejning/let luftning er ideel til nedfaldne blade og til opsamling af afklippet græs, som ligger tilbage, når plænen er slået.

Restrisici

Der kan opstå yderligere restrisici under brugen af værktøjet, som ikke kan medtages i vedlagte sikkerhedsadvarsler. Disse risici kan opstå pga. forkert anvendelse, langvarig brug etc.

Selv ved overholdelse af relevante sikkerhedsforskrifter og anvendelse af sikkerhedsudstyr kan visse restrisici ikke undgås. Disse omfatter:

- ◆ Tilskadekomst forårsaget af berøring af roterende/bevægelige dele.
- ◆ Tilskadekomst forårsaget af udskiftning af dele, blade eller tilbehør.
- ◆ Tilskadekomst forårsaget af langvarig brug af et værktøj. Husk at holde pause jævnlige ved brug af et værktøj i længere tid.
- ◆ Høreskader.
- ◆ Sundhedsrisici forårsaget af indånding af støv, der genereres ved brug af værktøjet (eksempel: Arbejde med træ, især, eg, bøg og MDF).

Anvendelse

Start og stop

Start

- ◆ Hold i håndtaget med begge hænder, og vip det en smule nedad for at hæve apparatets forsider.
- ◆ Tryk på låseknappen (4), og træk afbryderen (5) mod dig selv.
- ◆ Slip låseknappen (4).
- ◆ Lad apparatet vende tilbage til arbejdspositionen.

Stop

- ◆ Sluk for apparatet ved at slippe afbryderen (5).
- Forsøg aldrig at fastlåse en kontakt i tændt position.

Advarsel! Lad apparatet arbejde i dets eget tempo. Det må ikke overbelastes.

Hvis plænen skal passes rigtigt, er det ikke nok blot at slå den én gang om ugen i sommerens løb. Plænen har godt af en grundig udluftning, så alt dødt materiale, mos og ukrudt, som skæmmer plænen, fjernes. Dødt græs, som hober sig op, danner en måtte af absorberende fibre, som forhindrer vandet i at trænge ned i jorden, og hvis denne måtte forbliver mættet med vand, fremmes sygdom i græsset, og sundt græs kan ikke slå rod.

- ◆ Anbring den oprullede forlængerledning på plænen tæt ved startpunktet (fig. F, position 1).
- ◆ Hold i håndtaget med begge hænder, og hold den øverste del af forlængerledningen i hånden, som ikke betjener afbryderen.

Advarsel! Forsøg ikke at bruge plænelufteren med én hånd – den skal styres med begge hænder.

- ◆ Tænd som beskrevet ovenfor.
- ◆ Fortsæt ned ad luftningsområdet fra position 1 mod position 2, drej til højre og fortsæt mod position 3, når du har nået position 2. Fortsæt til afslutningen af luftningsområdet, drej til venstre, og fortsæt mod position 4.
- ◆ Fortsæt på samme måde som vist i diagrammet til venstre, idet du altid bevæger dig væk fra ledningen. Benyt ikke metoden, der vises i diagrammet til højre, hvor du bevæger dig mod ledningen, da det kan være farligt.

Det anbefales, at du fjerner planteresterne fra plænelufteren, inden du sætter den væk efter brug. Se afsnittet "Vedligeholdelse" i denne vejledning.

Bemærk: Det bedste resultat opnår du ved at lufte plænen eller græsarealet jævnlige, men ikke når græsset er vådt.

- ◆ Tryk håndtaget ned, så hjulene ikke kommer ud over kanten, når du lugter kanten af plænen.
- ◆ Fjern løst materiale eller sten, så holder plænelufterens tænder længere.

Advarsel! Undlad at sætte en beskadiget ledning i stikkontakten, og berør ikke en beskadiget ledning, inden den er taget ud af stikkontakten. En beskadiget ledning kan skabe forbindelse til ledende dele.

Advarsel! Undgå at berøre tænderne, før maskinen er koblet fra strømforsyningen, og tænderne står helt stille.

Advarsel! Børn skal holdes under opsyn for at sikre, at de ikke leger med apparatet.

Advarsel! Dette apparat er ikke beregnet til at blive brugt af personer (herunder børn) med nedsatte fysiske, sensoriske eller mentale evner eller manglende erfaring og viden, med mindre det sker under overvågning, eller der gives instruktion i brugen af apparatet af en person, der er ansvarlig for deres sikkerhed.

Gode råd til optimal brug

Tving ikke plænelufteren gennem for højt græs. Det frarådes at bruge plænelufteren i græs, der er over 75 mm højt.

- ◆ Må ikke bruges i våde eller fugtige omgivelser.
- ◆ Du opnår det bedste resultat, hvis du bruger plænelufteren regelmæssigt. Det anbefales, at du bruger plænelufteren i begyndelsen og slutningen af hver græsslåningsæson, så plænen opradnes grundigt. Du bør også bruge plænelufteren efter hver græsslåningsæson til at fjerne afskåret, efterladt græs.
- ◆ Luft først plænen i én retning og næste gang retvinklet herpå. I første omgang kommer plænen til at se tynd og pjusket ud, men den kommer sig hurtigt.

Vedligeholdelse

Dit Black & Decker-værktøj er beregnet til at fungere i en længere periode med minimal vedligeholdelse. Fortsæt tilfredsstillende drift afhænger af korrekt behandling af apparatet samt regelmæssig rengøring.

- ◆ Hold apparatet rent og tørt.
- ◆ Rengør regelmæssigt ventilationsåbningerne med en ren, tør pensel.
- ◆ Brug jævnligt en uskarp skraber til at fjerne græs og snavs fra apparatet.
- ◆ Brug kun et mildt rengøringsmiddel og en fugtig klud til rengøring af apparatet. Lad aldrig væske trænge ind i værktøjet, og nedsænk aldrig nogen del af værktøjet i væske. Der må ikke bruges skuremidler eller opløsningsmidler.

Fejlfinding

Følg vejledningen nedenfor, hvis apparatet ikke synes at fungere korrekt. Hvis dette ikke løser problemet, bedes du kontakte et lokalt Black & Decker-værksted.

Advarsel! Tag stikket ud af stikkontakten, inden du fortsætter.

Motoren summer, men anordningen med tænderne bevæger sig ikke

- ◆ Fjern forsigtigt det, der blokerer tænderne.

Ingen støj, og anordningen med tænderne bevæger sig ikke

- ◆ Kontroller, at netledningerne er korrekt tilsluttet.
- ◆ Kontroller sikringerne.

Miljøbeskyttelse



Separat bortskaffelse. Dette produkt må ikke bortskaffes sammen med almindeligt husholdningsaffald.

Kasser ikke dit Black & Decker-produkt sammen med husholdningsaffaldet, hvis det skal udskiftes eller ikke længere bruges. Dette produkt skal bortskaffes særskilt.



Ved særskilt bortskaffelse af brugte produkter og emballage bliver der mulighed for at genanvende forskellige stoffer. Genanvendelse af stoffer medvirker til at forebygge miljøforurening og mindsker behovet for råstoffer.

Lokal lovgivning kan kræve separat indsamling af elprodukter fra husholdningen, ved kommunale affaldsdepoter eller af den detailhandlende ved køb af et nyt produkt.

Black & Decker sørger for at indsamle og genanvende Black & Decker-produkter, når disse ikke længere kan bruges. Hvis du vil benytte dig af denne service, skal du returnere produktet til et autoriseret værksted, der indsamler produkterne for os.

Kontakt det lokale Black & Decker-kontor på den adresse, som er opgivet i denne vejledning, for at få oplysninger om det nærmeste autoriserede værksted. En liste over alle autoriserede Black & Decker-serviceværksteder samt servicevilkår og kontaktpersoner er tilgængelig på internettet på adressen: www.2helpU.com.

Tekniske data

| | GD300 TYPE 1 | GD300X TYPE 1 |
|---------------------------|-------------------------|------------------|
| Spænding | Vac 230 | 230 |
| Motoreffekt | W 600 | 500 |
| Hastighed uden belastning | min. ⁻¹ 3000 | 3000 |
| Højdejustering | cm -2/3/8 | -2/3/8 |
| Vægt | kg 7 | 7 |

| |
|--|
| Lydtrykniveau: |
| Lydtryk (L_{pA}) 76 dB(A), usikkerhed (K) 3 dB(A) |
| Lydeffekt (L_{WA}) 95 dB(A), usikkerhed (K) 3 dB(A) |
| Samlede værdier for vibration (triaksial vektorsum) i henhold til EN 13684: |
| Værdi for udsendelse af vibration (a_{H1}) 2.5 m/s^2, usikkerhed (K) $1.5 \text{ m/s}^2</math>$ |

EF-overensstemmelseserklæring

MASKINDIREKTIV
DIREKTIV FOR STØJ UDEN DØRE



GD300, GD300X

Black & Decker erklærer, at produkterne beskrevet under "Tekniske data" er i overensstemmelse med:

2006/42/EF
EN60335-1, EN60335-2-92

2000/14/EC, Opriver, Annex V,

Lydintensitetsniveau i henhold til 2000/14/EF

(artikel 13, Annex III):
 L_{WA} (målt lydeffekt) 95 dB
usikkerhed (K) 3 dB(A)

L_{WA} (garanteret lydeffekt) 98 dB
usikkerhed (K) 3 dB(A)

Dette produkt er endvidere i overensstemmelse med direktiv 2004/108/EF og 2011/65/EU.

Kontakt Black & Decker på nedenstående adresse, eller se vejledningens bagside for at få flere oplysninger.

Undertegnede er ansvarlig for udarbejdelsen af de tekniske data og fremsætter denne erklæring på vegne af Black & Decker.

Kevin Hewitt
Vice-President Global Engineering
Black & Decker Europe,
210 Bath Road, Slough,
Berkshire, SL1 3YD
Storbritannien

29/10/2012

Garanti

Black & Decker garanterer, at produktet er fri for materielle skader og/eller fabrikationsfejl ved levering til kunden.

Garantien er et tillæg til forbrugerens lovsikrede rettigheder og påvirker ikke disse. Garantien gælder inden for medlemsstaterne af den Europæiske Union og i det Europæiske Frihandelsområde.

Hvis et Black & Decker-produkt går i stykker på grund af materiel skade og/eller fabrikationsfejl eller på anden måde ikke fungerer i overensstemmelse med specifikationen inden for 24 måneder fra købsdatoen, påtager Black & Decker sig at reparere eller ombytte produktet med mindst mulig ulempe for kunden. Garantien gælder ikke for fejl og mangler, der er sket i forbindelse med:

- ◆ Produktet har været anvendt erhvervsmæssigt eller til udlejning.
- ◆ Produktet har været anvendt forkert eller er ikke vedligeholdt.
- ◆ Produktet er beskadiget af fremmedlegemer, substanser eller pga. uheld
- ◆ Garantien gælder ikke, hvis reparationer er udført af andre end et autoriseret Black & Decker-værksted.

For at udnytte garantien skal produktet og købskvitteringen indleveres til forhandleren eller til et autoriseret værksted.

Kontakt det lokale Black & Decker-kontor på den adresse, som er opgivet i denne vejledning, for at få oplysninger om det nærmeste autoriserede værksted. En liste over alle autoriserede Black & Decker-serviceværksteder samt servicevilkår er tilgængelig på internettet på adressen:

www.2helpU.com.

Gå venligst ind på vores website **www.blackanddecker.dk** for at registrere dit nye produkt og for at blive holdt ajour om nye produkter og specialtilbud. Der findes yderligere oplysninger om mærket Black & Decker og vores produktsortiment på adressen **www.blackanddecker.dk**.

Käyttötarkoitus

Black & Deckerin sammalenpoistaja on suunniteltu nurmikoiden huoltamiseen. Se poistaa nurmikon yleisilmettä heikentävät roskat, maatuneen maakerroksen, sammalen ja rikkaruohot. Kone on tarkoitettu ainoastaan kotikäyttöön.

Turvallisuusohjeet

Varoitus! Sähkölaitteita käytettäessä on aina noudatettava asianmukaisia turvaohjeita, mukaan luettuna jäljempänä seuraavat ohjeet, jotta tulipalojen, sähköiskujen ja henkilövahinkojen riski olisi mahdollisimman pieni.

- ◆ Lue nämä ohjeet huolellisesti ennen laitteen käyttöä.
- ◆ Ennen laitteen käyttöä on varmistettava, että käyttäjä osaa sammuttaa sen hätätilanteessa.
- ◆ Säilytä ohjeet tulevaa tarvetta varten.

Koulutus

- ◆ Lue ohjeet huolellisesti. Tutustu hallintalaitteisiin ja opettele laitteen oikea käyttö.
- ◆ Älä anna lasten tai tätä käyttöohjetta lukemattomien henkilöiden käyttää laitetta. Paikalliset säädökset saattavat määrittää käyttäjiä koskevia ikärajoituksia.
- ◆ Älä käytä laitetta muiden henkilöiden (erityisesti lasten) tai eläinten läheisyydessä.
- ◆ Muista, että laitteen käyttäjä on vastuussa muille henkilöille tai omaisuudelle aiheutuneista onnettomuuksista tai vaaratilanteista.

Valmistelu

- ◆ Suojaa jalat laitteen käytön aikana käyttämällä tukevia jalkineita tai saappaita. Älä käytä laitetta avojaloin tai avonaisen sandaalien kanssa. Suojaa sääret käyttämällä pitkiä housuja.
- ◆ Käytä suojalaseja, kun käytät laitetta. Käytä hengityssuojainta, mikäli laitetta käytetään pölyisissä olosuhteissa. Suojaa kuulosi, mikäli laitteen ääni on epämiellyttävän kova.
- ◆ Suojaudu sähköiskuiltä. Vältä itse koskettamasta maadoitettuihin pintoihin (kuten metallikaiteisiin tai lyhtypylväisiin).
- ◆ Varmista ennen käytön aloittamista, ettei työskentelyalueella ole oksia, kiviä, lankaa tai muita esteitä.

Käyttö

- ◆ Älä koskaan käytä laitetta ilman asianmukaisia suoja- tai turvalaitteita, esimerkiksi suojailevyjä ja/tai ruohonkeruulaitetta.
- ◆ Käytä laitetta vain päivänvalossa tai hyvin valaistulla alueella.
- ◆ Älä jätä laitetta sateeseen. Älä käytä laitetta sateessa tai kosteissa tai märissä olosuhteissa. Laitteen käyttämistä märällä nurmikolla ei suositella.
- ◆ Varo jalkojasi etenkin rinteissä. Juuri leikattu nurmikko on kostea ja liukas. Älä työskentele jyrkissä rinteissä.
- ◆ Työskentele rinteiden myötäisesti, älä rinnettä ylös- tai alaspäin.
- ◆ Toimi erityisen huolellisesti, kun laitteen suuntaa muutetaan rinteessä.
- ◆ Kävele aina laitetta käyttäessäsi. Älä juokse. Älä vedä laitetta itseäsi kohti tai kävele takaperin laitetta käyttäessäsi.
- ◆ Käynnistä laite ohjeiden mukaan. Varmista, että jalkasi ovat riittävän kaukana laitteesta.
- ◆ Älä kallista laitetta käynnistykseen yhteydessä, mikäli se ei ole tarpeen. Jos laitetta on kallistettava käynnistettäessä, kallista sitä mahdollisimman vähän. Nosta vain laitteen kauimpana käyttäjästä olevaa puolta. Varmista, että molemmat kätesi ovat käyttöasennossa ennen laitteen laskemista alas.
- ◆ Sammuta laite ja odota, kunnes terien pyöriminen lakkaa, mikäli laitetta on kallistettava, kun sitä siirretään muilla alustoilla kuin nurmikolla ja kun sitä kuljetetaan hoidettavalle alueelle tai sieltä pois.
- ◆ Älä nosta tai kanno laitetta, ennen kuin terät ovat pysähtyneet kokonaan.
- ◆ Pidä kädet loitolla leikkausalueesta ja teristä. Älä aseta käsiä tai jalkoja lähelle pyöriä osia tai niiden alle.
- ◆ Pysy loitolla laitteen poistoaukoista.
- ◆ Sammuta laite, vedä pistoke irti pistorasiasta ja varmista, että laitteen liikkuvat osat ovat pysähtyneet, ennen kuin jätät laitteen ilman valvontaa ja ennen sen osien vaihtamista, puhdistamista tai tarkistamista tai tukoksen poistamista.
- ◆ Jos laite tärisee epätavallisen voimakkaasti tai jos osut sillä esteeseen, sammuta laite ja vedä pistoke irti pistorasiasta. Tarkista, onko laite vaurioitunut.
- ◆ Pidä verkkovirtajohto aina mahdollisimman kaukana teristä. Huomioi virtajohdon asento aina laitetta käytettäessä.
- ◆ Moottori pyörii vielä muutaman sekunnin virran katkaisemisen jälkeen. Älä jarruta terien pysähtymisliikettä.

Huolto ja varastointi

- ◆ Tarkista ennen laitteen käyttöä, ettei laitteessa ole vahingoittuneita tai viallisia osia. Tarkista, että liikkuvat osat toimivat moitteettomasti eivätkä ne ole väärässä asennossa ja että työkalussa ei ole murtuneita tai vahingoittuneita suoja- tai kytkimiä tai muita osia, jotka saattaisivat vaikuttaa haitallisesti laitteen toimintaan. Varmista, että laite toimii oikein ja tarkoitettulla tavalla. Laitetta ei tule käyttää, jos sen suoja tai kotelo on vaurioitunut tai poistettu. Älä käytä laitetta, jos jokin sen osa on vahingoittunut tai viallinen. Älä käytä laitetta, jota ei voida käynnistää ja pysäyttää virtakytkimestä. Korjautta tai vaihdata vaurioituneet tai vialliset osat valtuutetussa huoltoliikkeessä.
- ◆ Tarkista virtajohtojen kunto säännöllisesti. Jos virtajohto vahingoittuu, sen vaihtaminen tulee turvallisuussyistä jättää valtuutetun huoltoliikkeen tehtäväksi. Tarkista jatkojohtojen kunto säännöllisesti. Vaihda vaurioitunut jatkojohto välittömästi.
- ◆ Turvallisuussyistä tulee varmistaa, että kaikki laitteen mutterit, pultit ja ruuvit on kiristetty.
- ◆ Tarkista ruohonkeräimen kulumisen ja mahdolliset vauriot ja vaihda keräin tarvittaessa. Älä koskaan käytä laitetta ilman ruohonkeräintä.
- ◆ Kun laitetta ei käytetä, se on säilytettävä kuivassa paikassa. Pidä laite lasten ulottumattomissa.
- ◆ Varmista, että laitteessa käytetään vain oikeanlaisia teriä.
- ◆ Käytä ainoastaan Black & Deckerin suosittelemia varaosia ja lisävarusteita.

Muiden turvallisuus

- ◆ Tätä laitetta ei ole tarkoitettu sellaisten henkilöiden käyttöön, joilla on fyysisiä tai älyllisiä rajoitteita tai aistirajoitteita, eikä laitteen toimintaan perehtymättömien henkilöiden käyttöön (lapset mukaan luettuina), paitsi valvonnan alaisina tai jos he ovat saaneet laitteen käyttöön liittyvää opastusta heidän turvallisuudestaan vastaavalta henkilöltä.
- ◆ Lapsia on valvottava ja heitä on estettävä leikkimästä laitteella.

Varoitusmerkit

Laitteessa on seuraavat varoitusmerkinnät:



Lue käyttöohje ennen laitteen käyttämistä.



Älä jätä laitetta sateeseen tai erittäin kosteisiin olosuhteisiin.



Pidä sivulliset loitolla.



Varo teräviä teriä. Terien pyöriminen jatkuu moottorin sammuttamisen jälkeenkin. Irrota pistoke laitteesta ennen huoltoa tai siinä tapauksessa, jos virtajohto on vaurioitunut



Pidä verkkovirtajohto kaukana leikkuuteristä.



Terät jatkavat pyörimistä moottorin sammuttamisen jälkeenkin.

Sähköturvallisuus



Tämä laite on kaksoiseristetty, joten erillistä maadoitusta ei tarvita. Tarkista aina, että virtälähdde vastaa arvokilvessä ilmoitettua jännitettä.

- ◆ Jos virtajohto vahingoittuu, sen vaihtaminen tulee turvallisuussyistä jättää valmistajan tai valtuutetun Black & Decker -huollon tehtäväksi.
- ◆ Sähköturvallisuutta voi parantaa käyttämällä erittäin herkkää (30 mA) vikavirtasuojaa.

Jatkojohtojen käyttäminen

Käytä aina hyväksytyä, työkalun virtaliitäntään sopivaa jatkojohtoa (katso tekniset tiedot). Jatkojohtojen on oltava ulkokäyttöön soveltuva ja siinä on oltava vastaava merkintä. Laitteen kanssa voidaan käyttää enintään 30 m pitkää 1,5 mm²:n HO5V V-F-jatkojohtoa ilman tehon heikkenemistä. Tarkista jatkojohtojen kunto ennen sen käyttämistä vahingoittumisen, kulumisen ja vanhenemisen varalta. Vahingoittunut tai viallinen kaapeli on vaihdettava. Kaapelikelaa käytettäessä pura kaapeli kelalta kokonaisuudessaan.

Yleiskuvaus

1. Ruohonkeräin
2. Moottorinsuoja
3. Kytinkotelo
4. Lukituspainike
5. Kytinkahva

Kokoaminen

Varoitus! Ennen kokoamista varmista, että laitteen virtakytkin on pois päältä eikä laitetta ole liitetty virtalähteeseen.

Kahvan yläosan kokoaminen (kuva A)

- ◆ Varmista, että kaapelikiinnikkeen koukku sopii kahvan yläosaan ennen kahvan kokoamista.
- ◆ Kiinnitä kahvan alaosa (7) yläosaan (6) lukitusnupeilla (10), aluslevyillä (9) ja ruuveilla (8) kuvan mukaisesti.

Kahvan alaosan kiinnittäminen (kuva C)

- ◆ Aseta kahvan alaosan (7) päät laitteen aukkoihin.
- ◆ Paina kahva kokonaan alas.
- ◆ Kiinnitä kahva ruuveilla (12).

Verkkovirtajohdon kiinnittäminen (kuva B)

Virtajohto kiinnitetään kaapelikiinnikkeillä.

- ◆ Napsauta kiinnike (11) kytinkotelon (3) ja moottorin väliseen johtoon. Kiinnitä kiinnike kahvan alaosaan (7).
- ◆ Napsauta toinen kiinnike (11) kytinkotelon (3) ja moottorin pistokkeen väliseen johtoon. Kiinnitä kiinnike kahvan yläosaan (7).

Varoitus! Varmista, että kaapeli on kiinnitetty kiinnikkeillä ennen verkkovirtajohdon kytkemistä verkkopistokkeeseen.

Ruohonkeräimen kiinnitys (kuva D)

- ◆ Aseta laite työskentelyasentoon. Aseta ruohonkeräin (1) laitteen etuosan kiinnikkeisiin.

Työstökorkeuden määrittäminen (kuva E)

Laitteessa on kolme työstökorkeusasetusta: alin asento, keskiasento ja yläasento. Korkeus valitaan takarullan kolmiasentoisella korkeussäätimellä (13).

- ◆ Paina korkeussäätimen lukituspainiketta ja käännä säädin haluttuun asentoon kuvan E mukaisesti. Kun haluttu asetus on saavutettu, vapauta lukituspainike ja varmista, että se lukittuu laitteen runkoon (2).
- ◆ Korkeussäätimen asennot on merkitty laitteen runkoon kuvan E mukaisesti.

Työstökorkeusasetukset:

- ◆ **Alin asento (1).** Tätä asetusta tulee käyttää, kun nurmikko halutaan käsitellä mahdollisimman voimakkaasti. Kun tätä asetusta käytetään, laite poistaa kaikki roskat ja maatuneen kerroksen maaperän pinnasta. Myös sammal ja rikkaruohot poistetaan.

- ◆ **Keskiasento (2).** Tätä asetusta tulee käyttää, kun nurmikko halutaan käsitellä normaaliavoimakkuudella. Tämä asetus sopii useimmille nurmikoille.
- ◆ **Yläasento (3).** Kun tämä asetus on käytössä, nurmikko käsitellään kevyesti. Tätä asetusta voidaan käyttää myös, jos halutaan "nostaa" maanpintaan painunutta ruohoa ja juurivesoja leikkaamista varten. Yläasento soveltuu hyvin pudonneiden lehtien ja leikatun ruohon keräämiseen.

Jäännösriskit

Jäännösriskit ovat mahdollisia, jos käytät työkalua muulla kuin turvavaroituksissa mainitulla tavalla. Nämä riskit voivat liittyä muun muassa virheelliseen tai pitkäaikaiseen käyttöön.

Tiettyjä jäännösriskejä ei voi välttää, vaikka noudatat kaikkia turvavaroituksia ja käytät turvalaitteita. Näihin kuuluvat muun muassa

- ◆ pyörivien tai liikkuvien osien koskettamisen aiheuttamat vahingot
- ◆ osia, teriä tai lisävarusteita vaihdettaessa aiheutuneet vahingot
- ◆ työkalun pitkäaikaisen käytön aiheuttamat vahingot Kun käytät työkalua pitkään, varmista, että pidät säännöllisesti taukoja.
- ◆ kuulovauriot
- ◆ työkalua käytettäessä (esimerkiksi puuta, erityisesti tammea, pyökkiä ja MDF-levyjä, käsiteltäessä) syntyneen pölyn sisäänhengityksen aiheuttamat terveysterveysriskit.

Käyttö

Käynnistys ja pysäytys

Käynnistys

- ◆ Pidä kahvaa molemmin käsin ja käännä sitä hieman eteenpäin. Laitteen etuosa nousee.
- ◆ Paina lukituspainiketta (4) ja vedä kytinkahvaa (5) itseäsi kohti.
- ◆ Vapauta lukituspainike (4).
- ◆ Anna laitteen palata työskentelyasentoon.

Sammuttaminen

- ◆ Sammuta laite vapauttamalla kytinkahva (5).

Älä koskaan yritä lukita kytinkahvaa käyttöasentoon.

Varoitus! Anna laitteen käydä omaan tahtiinsa.

Älä ylikuormita sitä.

Nurmikon ylläpito edellyttää myös muita hoitoimenpiteitä viikoittaisen leikkaamisen lisäksi. Nurmikossa oleva kuollut materiaali, sammal ja rikkaruohot on poistettava. Kuolleen ruohon kerääntyminen nurmikon pintaan muodostaa imukykyisen kerroksen, joka estää veden pääsyn maaperään. Tämä vetynyt kerros voi edistää kasvitautien leviämistä ja estää uuden ruohon kasvamisen.

- ◆ Aseta suurin osa jatkojohdosta maahan lähelle aloituskohtaa (kuva F, kohta 1).
- ◆ Pidä kahvasta molemmin käsin ja pidä jatkojohdon yläosaa siinä kädessä, jolla ei käytetä kytkinkahvaa.

Varoitus! Älä käytä laitetta yhdellä kädellä, sillä joudut käyttämään molempia käsiä ohjaukseen.

- ◆ Käynnistä laite edellä kuvatulla tavalla.
- ◆ Etene työskentelyalueella kohdasta 1 kohti kohtaa 2. Kun olet saavuttanut kohdan 2, käännä oikealle ja etene kohti kohtaa 3. Siirry työskentelyalueen päähän, käänny vasemmalle ja etene kohti kohtaa 4.
- ◆ Jatka vasemmanpuoleisen kuvan osoittamalla tavalla. Työskentele aina virtajohdosta pois päin. Älä käytä oikeanpuoleisen kuvan tapaa. Verkkojohtoa kohti eteneminen voi aiheuttaa vaaratilanteen.

Kun laitetta ei enää käytetä, se tulee puhdistaa ennen varastointia. Katso lisätietoja tämän käyttöohjeen kohdasta Huolto.

Huomautus: Parhaiden tuloksien saavuttamiseksi nurmikko on käsiteltävä säännöllisesti silloin, kun nurmikko on kuiva.

- ◆ Jos laitetta käytetään penngeretyissä kohdissa, paina kahvaa alas penkereen päällä, jolloin renkaat eivät pääse putoamaan reunan yli.
- ◆ Terien käyttöä voidaan lisätä poistamalla irtoroskat ja kivet työskentelyalueelta ennen työskentelyä aloittamista.

Varoitus! Älä liitä vaurioitunutta sähköjohtoa virtalähteeseen tai kosketa vaurioitunutta sähköjohtoa, ennen kuin se on irrotettu virtalähteestä. Vaurioitunut sähköjohto voi aiheuttaa sähköiskun.

Varoitus! Älä koske teriin, ennen kuin laite on irrotettu virtalähteestä ja terät ovat täysin pysähtyneet.

Varoitus! Lapsia on pidettävä silmällä, jotta he eivät pääse leikkimään laitteella.

Varoitus! Tätä laitetta ei ole tarkoitettu sellaisten henkilöiden käyttöön, joilla on fyysisiä tai älyllisiä rajoitteita tai aistirajoitteita, eikä laitteen toimintaan perehtymättömien henkilöiden käyttöön (lapset mukaan luettuina), paitsi valvonnan alaisina tai jos he ovat saaneet laitteen käyttöön liittyvää opastusta heidän turvallisuudestaan vastaavilta henkilöiltä.

Vinkkejä parhaimman tuloksen saamiseksi

Älä pakota laitteen teriä nurmikon läpi, mikäli nurmikko on liian pitkä. Laitteen käyttämistä yli 75 mm:n pituisessa nurmikossa ei suositella.

- ◆ Älä käytä laitetta märissä tai kosteissa olosuhteissa.
- ◆ Käytä laitetta säännöllisesti. Näin saadaan paras lopputulos. Laitetta suositellaan käytettäväksi aina kesän alussa ja lopussa maaperän perusteelliseen puhdistukseen. Laitetta tulee käyttää myös aina nurmikonleikkuun jälkeen. Näin voidaan poistaa kaikki leikattu ruoho, jota ruohonleikkuri ei ole pystynyt keräämään.
- ◆ Käytä laitetta vuorokerron ristikkäisiin suuntiin. Aluksi tämä saa nurmikon näyttämään epäsiistiltä, mutta tilanne paranee nopeasti.

Huolto

Black & Deckerin laite on suunniteltu toimimaan mahdollisimman pitkän aikaa mahdollisimman vähällä huollolla. Oikealla huollolla ja säännöllisellä puhdistuksella laite säilyttää suorituskykynsä.

- ◆ Pidä laite puhtaana ja kuivana.
- ◆ Puhdista ilma-aukot säännöllisesti puhtaalla, kuivalla maalisiveltimellä.
- ◆ Poista ruoho ja lika laitteesta säännöllisesti tylpällä kaapimella.
- ◆ Käytä laitteen puhdistamiseen mietoa pesuainetta ja kostutettua riepua. Älä päästä laitteen sisään nesteitä äläkä upota mitään laitteen osaa nesteeseen.
- ◆ Älä koskaan käytä puhdistamiseen hiovia aineita tai liuotinpohjaisia puhdistusaineita.

Vianmääritys

Jos laite ei toimi oikein, katso alla olevia ohjeita. Jos tämä ei auta, ota yhteys paikalliseen Black & Decker -huoltoliikkeeseen.

Varoitus! Irrota pistoke verkkopistorasiasta ennen jatkamista.

Moottorin käyntiääni kuuluu, mutta terät eivät pyöri.

- ◆ Irota terien pyörimisen estävät esineet varovasti.

Moottorin käyntiääni ei kuulu eivätkä terät pyöri.

- ◆ Tarkista, että virtajohdot on kytketty oikein.
- ◆ Tarkista sulakkeet.

Ympäristönsuojelu



Erillinen keräys. Tätä tuotetta ei saa hävittää normaalin kotitalousjätteen mukana.

Kun Blac & Decker -koneesi aikanaan täytyy vaihtaa tai et enää tarvitse sitä, älä hävitä sitä kotitalousjätteen mukana. Tämä tuote on kerätävä erikseen.



Käytettyjen tuotteiden ja pakkausmateriaalien erilliskeruun avulla materiaalit voidaan kierrättää ja käyttää uudelleen. Kierrätysmateriaalien käyttö auttaa vähentämään ympäristön saastumista ja uusien raaka-aineiden tarvetta.

Paikallisissa säädöksissä voidaan määrätä, että kodin sähkötuotteiden keruu tapahtuu kaupunkien jätteenkäsittelyasemilla tai laitteita myyvässä liikkeessä uuden tuotteen oston yhteydessä.

Kun laitteesi on käytetty loppuun, älä heitä sitä tavallisten roskien mukana pois, vaan vie se paikkakuntasi kierrätyskeskukseen tai jätä valtuutettuun Black & Deckerin huoltoliikkeeseen.

Tiedot valtuutetuista huoltoliikkeistä saa ottamalla yhteyttä Black & Decker Oy:hyn sekä Internetistä osoitteesta www.2helpU.com.

Tekniset tiedot

| | GD300 TYYPPI 1 | GD300X TYYPPI 1 |
|-----------------------|-------------------------|--------------------|
| Jännite | V AC 230 | 230 |
| Ottoteho | W 600 | 500 |
| Kuormittamaton nopeus | min ⁻¹ 3 000 | 3 000 |
| Korkeuden säätö | cm -2/3/8 | -2/3/8 |
| Paino | kg 7 | 7 |

Äänenpainetaso:

Äänenpaine (L_{pA}) 76 dB(A), epätarkkuus (K) 3 dB(A)

Ääniteho (L_{WA}) 95 dB(A), epätarkkuus (K) 3 dB(A)

Tärinän kokonaisarvot (vektorisumma) standardin EN 13684 mukaisesti:

Tärinäpäästöarvo (a_{p1}) <2.5 m/s², epätarkkuus (K) 1.5 m/s²

EU:n vaatimustenmukaisuusilmoitus

KONEDIREKTIIVI
ULKOILMAMELUDIREKTIIVI



GD300, GD300X

Black & Decker ilmoittaa, että tuotteet, jotka on kuvattu kohdassa Tekniset tiedot, täyttävät seuraavien direktiivien vaatimukset:

2006/42/EY
EN60335-1, EN60335-2-92

2000/14/EC, Jyrsin, liite V,

Akustisen tehon taso määräyksen 2000/14/EY (artikla 13, liite III) mukaisesti:

L_{WA} (mitattu ääniteho) 95 dB
epävarmuus (K) 3 dB(A)

L_{WA} (taattu ääniteho) 98 dB
epävarmuus (K) 3 dB(A)

Nämä tuotteet täyttävät myös direktiivin 2004/108/EY ja 2011/65/EU vaatimukset.

Lisätietoja saa ottamalla yhteyden Black & Deckeriin seuraavissa osoiteissa tai katsomalla tiedot käyttöoppaan takakannesta.

Allekirjoittanut vastaa teknisten tietojen kokoamisesta ja antaa tämän ilmoituksen Black & Deckerin puolesta.

Kevin Hewitt
Vice-President Global Engineering
Black & Decker Europe,
210 Bath Road, Slough,
Berkshire, SL1 3YD
Iso-Britannia
29/10/2012

Takuu

Black & Decker Oy takaa, ettei tuotteessa ollut materiaali- ja/ tai valmistusvikaa silloin, kun se toimitettiin ostajalle. Takuu on lisäys kuluttajan laillisiin oikeuksiin eikä vaikuta niihin.

Takuu on voimassa Euroopan unionin jäsenvaltioissa ja Euroopan vapaakauppa-alueella (EFTA).

Mikäli Black & Decker -tuote hajoaa materiaali- ja/tai valmistusvirheen tai teknisten tietojen epätarkkuuden vuoksi 24 kk:n kuluessa ostopäivästä, Black & Decker korjaa laitteen ilman kustannuksia ostajalle tai vaihtaa sen uuteen Black & Decker Oy:n valinnan mukaan. Takuu ei kata vikoja, jotka johtuvat laitteen

- ◆ kaupallisesta tai ammattimaisesta käytöstä tai laitteen vuokrauksesta
- ◆ ylikuormituksesta tai laitteen virheellisestä käytöstä tai hoidosta
- ◆ vahingoittamisesta vieraalla esineellä tai aineella tai onnettomuustapauksessa.
- ◆ Takuu ei ole voimassa, mikäli laitetta on korjannut joku muu kuin Black & Deckerin valtuuttama huoltoliike.

Edellytyksenä takuun saamiselle on, että ostaja jättää koneen ja ostokuitin jälleenmyyjälle tai valtuutetulle huoltoliikkeelle viimeistään 2 kuukauden kuluessa vian ilmenemisestä.

Tiedot valtuutetuista huoltoliikkeistä saa ottamalla yhteyttä Black & Decker Oy:hyn sekä Internetistä osoitteesta **www.2helpU.com**, jossa on myös takuuehdot.

Käy verkkosivuillamme osoitteessa

www.blackanddecker.fi ja rekisteröi uusi Black & Decker -tuotteesi. Sivuilta saat myös tietoa uusista tuotteista ja erikoistarjouksista. Lisätietoja Black & Decker -tuotemerkeistä ja tuotevalikoimastamme on osoitteessa **www.blackanddecker.fi**.

Ενδεξιμένη χρήση

Αυτή η μηχανή καθαρισμού γκαζόν (τσουγκράνα) της Black & Decker είναι σχεδιασμένη για τον καθαρισμό ("τσουγκράνισμα") του γκαζόν απομακρύνοντας άχρηστα υλικά, ξερά χορτάρια, βρύα και αγριόχορτα, τα οποία μπορούν να χαλάσουν την εμφάνιση του γκαζόν. Αυτή η συσκευή προορίζεται μόνο για ερασιτεχνική χρήση.

Οδηγίες ασφαλείας

Προειδοποίηση! Κατά τη χρήση συσκευών που τροφοδοτούνται με ηλεκτρικό ρεύμα, θα πρέπει πάντα να λαμβάνονται οι βασικές προφυλάξεις ασφαλείας, συμπεριλαμβανομένων των παρακάτω, για τον περιορισμό του κινδύνου πυρκαγιάς, ηλεκτροπληξίας και σωματικών βλαβών.

- ◆ Διαβάστε προσεκτικά όλο το περιεχόμενο αυτού του εγχειριδίου πριν χρησιμοποιήσετε τη συσκευή σας.
- ◆ Πριν χρησιμοποιήσετε τη συσκευή σας, βεβαιωθείτε ότι ξέρετε πώς να την απενεργοποιήσετε σε περίπτωση έκτακτης ανάγκης.
- ◆ Φυλάξτε αυτό το εγχειρίδιο για μελλοντική αναφορά.

Εκμάθηση

- ◆ Διαβάστε τις οδηγίες προσεκτικά. Εξοικειωθείτε με τα χειριστήρια και τη σωστή χρήση της συσκευής.
- ◆ Μην επιτρέπετε σε μικρά παιδιά ή σε άτομα που δεν έχουν διαβάσει το εγχειρίδιο οδηγιών ή που δεν έχουν εξοικειωθεί με τη συσκευή να τη λειτουργούν. Οι κανονισμοί που ισχύουν στην περιοχή σας μπορεί να επιβάλλουν περιορισμούς στην ηλικία του χειριστή.
- ◆ Μη χρησιμοποιείτε ποτέ τη συσκευή όταν υπάρχουν άνθρωποι και ιδιαίτερα παιδιά ή κατοικίδια ζώα κοντά στη συσκευή.
- ◆ Να θυμάστε ότι ο χειριστής είναι πάντα υπεύθυνος για ατυχήματα και κινδύνους που προκαλούνται σε ανθρώπους ή υλικές ζημιές.

Προετοιμασία

- ◆ Φοράτε γαλάζια παπούτσια ή μπότες για να προστατέψετε τα πόδια σας. Μη χρησιμοποιείτε τη συσκευή φορώντας ανοιχτά σανδάλια ή ξυπόλητος. Φοράτε μακρύ παντελόνι για να προστατέψετε τα πόδια σας.
- ◆ Φοράτε προστατευτικά γυαλιά ή χοντρά γυαλιά όταν χρησιμοποιείτε αυτή τη συσκευή. Χρησιμοποιείτε προστατευτική προσωπίδα ή μάσκα προστασίας από τη σκόνη όταν εργάζεστε με τη συσκευή σε περιβάλλοντα με πολλή σκόνη. Φοράτε προστατευτικά ακοής όταν η στάθμη θορύβου γίνεται ενοχλητική.
- ◆ Λάβετε τις κατάλληλες προφυλάξεις για το ενδεχόμενο ηλεκτροπληξίας. Εμπόδιση τη σωματική επαφή με γειωμένες ή συνδεδεμένες με το έδαφος επιφάνειες (π.χ. μεταλλικά κικκλιδώματα, λάμπες, κλπ.).

- ◆ Πριν ξεκινήσετε να εργάζεστε, βεβαιωθείτε ότι στην προς καθαρισμό επιφάνεια γκαζόν δεν υπάρχουν κλαριά, πέτρες, σύρματα ή άλλα αντικείμενα.

Χειρισμός

- ◆ Μη χρησιμοποιείτε ποτέ τη συσκευή με ελαττωματικούς προφυλακτήρες ή προστατευτικά, ή χωρίς τις διατάξεις ασφαλείας, για παράδειγμα εκτροπείς και/ή συλλέκτες γρασιδιού, τοποθετημένες στη θέση τους.
- ◆ Χρησιμοποιείτε τη συσκευή μόνο στο φως της ημέρας ή σε καλό τεχνητό φωτισμό.
- ◆ Μην εκθέτετε τη συσκευή στη βροχή. Μη χρησιμοποιείτε τη συσκευή σε συνθήκες υψηλής υγρασίας. Αποφεύγετε να χρησιμοποιείτε τη συσκευή σε βρεγμένο γρασίδι.
- ◆ Προσέχετε πώς βαδίζετε, ιδιαίτερα σε εδάφη με κλίση. Έχετε υπόψη σας ότι το φρεσκοκομμένο γρασίδι είναι υγρό και ολισθηρό. Μην εργάζεστε σε απότομες κλίσεις.
- ◆ Σε εδάφη με κλίση, να εργάζεστε κατά το πλάτος της κλίσης και ποτέ προς τα πάνω και κάτω. Να είστε πάρα πολύ προσεκτικός όταν αλλάζετε κατεύθυνση σε εδάφη με κλίση.
- ◆ Όταν χρησιμοποιείτε τη συσκευή να περπατάτε και ποτέ να μην τρέχετε. Μην τραβάτε τη συσκευή προς το μέρος σας και μη βαδίζετε προς τα πίσω όταν χρησιμοποιείτε τη συσκευή.
- ◆ Ενεργοποιείτε τη συσκευή σύμφωνα με τις οδηγίες και με τα πόδια σας σε αρκετή απόσταση από τα δόντια της συσκευής.
- ◆ Μη γέρνετε τη συσκευή όταν την ενεργοποιείτε παρά μόνο εάν είναι απαραίτητο η συσκευή να πάρει κλίση για να εκκινηθεί. Στην περίπτωση αυτή, μη γέρνετε τη συσκευή περισσότερο από όσο είναι απολύτως αναγκαίο και να ανασηκώνετε μόνο το τμήμα της συσκευής που βρίσκεται μακριά από τη χειριστή. Εξασφαλίστε πάντοτε ότι και τα δύο σας χέρια είναι στη θέση χειρισμού πριν επαναφέρετε τη συσκευή στο έδαφος.
- ◆ Απενεργοποιείτε τη συσκευή και περιμένετε μέχρι το συγκρότημα δοντιών να σταματήσει να λειτουργεί στην περίπτωση που πρέπει να γείρετε τη συσκευή για να τη μεταφέρετε όταν διασχίζετε άλλες επιφάνειες εκτός από γρασίδι, καθώς και όταν μεταφέρετε τη συσκευή προς και από την προς καθαρισμό επιφάνεια γρασιδιού.
- ◆ Μη γέρνετε και μη μεταφέρετε τη συσκευή προτού τα δόντια της ακινητοποιηθούν εντελώς.
- ◆ Διατηρείτε τα χέρια και τα πόδια σας σε αρκετή απόσταση από τα δόντια. Μην πλησιάζετε τα χέρια ή τα πόδια σας κοντά ή κάτω από τα περιστρεφόμενα μέρη της συσκευής.

- ◆ Παραμένετε μακριά από τα ανοίγματα εκκένωσης συνεχώς.
- ◆ Απενεργοποιήστε τη συσκευή, αποσυνδέστε το φως από την πρίζα και βεβαιωθείτε ότι τα κινούμενα μέρη έχουν σταματήσει να περιστρέφονται πριν αφήσετε τη συσκευή χωρίς επίτηρηση καθώς και πριν αλλάξετε, καθαρίσετε ή επιθεωρήσετε οποιοδήποτε τμήμα της συσκευής ή πριν αφαιρέσετε κάποιο αντικείμενο που την έχει φράξει.
- ◆ Εάν η συσκευή αρχίζει να δονείται αφύσικα ή εάν χτυπήσετε ένα ξένο σώμα, απενεργοποιήστε τη συσκευή και αποσυνδέστε το φως από την πρίζα. Ελέγξτε τη συσκευή για τυχόν ζημιά.
- ◆ Προσέξτε ώστε το καλώδιο ρεύματος να παραμένει μακριά από τα δόντια. Θα πρέπει να γνωρίζετε ανά πάσα στιγμή που βρίσκεται το καλώδιο.
- ◆ Το μοτέρ της συσκευής συνεχίζει να λειτουργεί για μερικά δευτερόλεπτα αφού την απενεργοποιήσετε. Μην επιχειρήσετε ποτέ να ακινητοποιήσετε τα δόντια εξαναγκαστικά.

Συντήρηση και αποθήκευση

- ◆ Πριν από τη χρήση, ελέγξτε τη συσκευή σας για τυχόν χαλασμένα ή ελαττωματικά εξαρτήματα. Ελέγξτε εάν τα κινούμενα μέρη είναι σωστά ευθυγραμμισμένα ή εάν έχουν μπλοκάρει, εάν υπάρχουν σπασμένα μέρη στη συσκευή, εάν υπάρχουν ζημιές στους προφυλακτήρες και τους διακόπτες, καθώς και οποιαδήποτε άλλη κατάσταση που μπορεί να επηρεάσει τη λειτουργία της συσκευής. Εξασφαλίστε ότι η συσκευή θα λειτουργήσει σωστά και ότι θα επιτελέσει την προβλεπόμενη λειτουργία της. Μη χρησιμοποιείτε ποτέ τη συσκευή όταν κάποιος από τους προφυλακτήρες ή τα περιβλήματά της έχουν υποστεί ζημιά ή δεν είναι τοποθετημένα στη θέση τους. Μη χρησιμοποιείτε τη συσκευή εάν κάποιο εξάρτημά της είναι χαλασμένο ή ελαττωματικό. Μη χρησιμοποιείτε τη συσκευή εάν ο διακόπτης λειτουργίας είναι χαλασμένος. Δώστε τα τυχόν χαλασμένα ή ελαττωματικά εξαρτήματα για αντικατάσταση ή επιδιόρθωση σε ένα εξουσιοδοτημένο κέντρο επισκευών.
- ◆ Ελέγχετε συχνά το καλώδιο για ζημιές. Εάν το καλώδιο έχει υποστεί ζημιά, πρέπει να αντικατασταθεί από ένα εξουσιοδοτημένο κέντρο επισκευών ώστε να μην αποτελέσει κίνδυνο. Επιθεωρείτε τακτικά τα καλώδια προέκτασης. Να αντικαθιστάτε αμέσως το καλώδιο προέκτασης εάν παρουσιάσει ζημιά.
- ◆ Διατηρείτε καλά σφινγμένα όλα τα παξιμάδια, τα μπουλόνια και τις βίδες στη συσκευή προκειμένου να εξασφαλίζεται η ασφαλής λειτουργία της.

- ◆ Ελέγχετε το συλλέκτη γρασιδιού για φθορές ή ζημιές και αντικαταστήστε τον εάν είναι απαραίτητο. Μη χρησιμοποιείτε ποτέ τη συσκευή χωρίς το συλλέκτη γρασιδιού.
- ◆ Όταν δεν χρησιμοποιείται, η συσκευή πρέπει να φυλάσσεται σε στεγνό μέρος. Τα παιδιά δεν πρέπει να έχουν πρόσβαση σε αποθηκευμένες συσκευές.
- ◆ Βεβαιωθείτε ότι χρησιμοποιείτε μόνο ανταλλακτικά εξαρτήματα κοπής του σωστού τύπου.
- ◆ Χρησιμοποιείτε μόνο ανταλλακτικά και αξεσουάρ που συνιστά η Black & Decker.

Ασφάλεια τρίτων

- ◆ Αυτή η συσκευή δεν προορίζεται για χρήση από άτομα (στα οποία περιλαμβάνονται και τα παιδιά) με μειωμένες φυσικές, αντιληπτικές ή διανοητικές ικανότητες ή άτομα χωρίς εμπειρία και γνώσεις, παρά μόνο εφόσον επιτηρούνται ή τους έχουν δοθεί οδηγίες σχετικά με τη χρήση της συσκευής από άτομο υπεύθυνο για την ασφάλειά τους.
- ◆ Τα παιδιά πρέπει να επιτηρούνται για να διασφαλίζεται ότι δεν παίζουν με τη μηχανή.

Προειδοποιητικά σύμβολα

Επάνω στη συσκευή υπάρχουν τα ακόλουθα προειδοποιητικά σύμβολα:



Διαβάστε το εγχειρίδιο οδηγιών πριν από τη λειτουργία.



Μην εκθέτετε τη συσκευή στη βροχή ή σε υψηλή υγρασία.



Μην επιτρέπετε να πλησιάσουν άλλα άτομα.



Προσέχετε τα αιχμηρά δόντια. Τα δόντια συνεχίζουν να περιστρέφονται και μετά την απενεργοποίηση του μοτέρ. Αποσυνδέστε το φως από το ρεύμα πριν από τη συντήρηση ή αν το καλώδιο έχει φθαρεί.



Διατηρείτε το καλώδιο ρεύματος σε αρκετή απόσταση από τα δόντια κοπής.



Τα δόντια συνεχίζουν να περιστρέφονται μετά την απενεργοποίηση της μηχανής.

Ασφαλής χρήση του ηλεκτρικού ρεύματος



Αυτή η συσκευή φέρει διπλή μόνωση, επομένως δεν απαιτείται σύρμα γείωσης. Ελέγχετε πάντοτε αν η τάση τροφοδοσίας αντιστοιχεί σε αυτήν που αναγράφεται στην πινακίδα στοιχείων της συσκευής.

- ♦ Εάν το καλώδιο ρεύματος έχει υποστεί ζημιά, πρέπει να αντικατασταθεί από τον κατασκευαστή ή από ένα εξουσιοδοτημένο κέντρο σέρβις της Black & Decker, ώστε να μην αποτελέσει κίνδυνο.
- ♦ Η ασφάλεια είναι η ηλεκτροπληξίας μπορεί να βελτιωθεί ακόμα περισσότερο με τη χρήση μιας διάταξης διάταξης προστασίας ρεύματος διαρροής (RCD) υψηλής ευαισθησίας 30mA.

Χρήση ενός καλωδίου προέκτασης

Χρησιμοποιείτε πάντα εγκεκριμένα καλώδια προέκτασης κατάλληλα για την ισχύ εισόδου αυτής της μηχανής (δείτε τεχνικά χαρακτηριστικά). Το καλώδιο προέκτασης πρέπει να είναι κατάλληλο για χρήση σε εξωτερικούς χώρους και να φέρει την αντίστοιχη σήμανση. Μπορείτε να χρησιμοποιήσετε ένα καλώδιο προέκτασης 1,5mm² H05V V-F μήκους έως 30 m, χωρίς απώλειες απόδοσης της μηχανής. Πριν από τη χρήση, ελέγξτε προσεκτικά το καλώδιο προέκτασης για σημάδια ζημιάς, παλαιώσης ή φθοράς. Αντικαταστήστε το καλώδιο προέκτασης αν παρουσιάσει ζημιά ή ελάττωμα. Όταν χρησιμοποιείτε μπαλάντζα, πάντα να ξεδιπλώνετε το καλώδιο εντελώς.

Χαρακτηριστικά

1. Συλλέκτης γρασιδιού
2. Κάλυμμα μοτέρ
3. Κουτί συνδεσμολογίας
4. Κουμπί απασφάλισης
5. Μοχλός λειτουργίας

Συναρμολόγηση

Προειδοποίηση! Πριν από τη συναρμολόγηση, βεβαιωθείτε ότι η συσκευή είναι απενεργοποιημένη και ότι το φως δεν είναι στην πρίζα.

Συναρμολόγηση της πάνω χειρολαβής (εικ. Α)

- ♦ Πριν τη συναρμολόγηση, ελέγξτε ότι ο γάντζος συγκρατητήρων καλωδίου είναι εφαρμοσμένος στην πάνω χειρολαβή.
- ♦ Προσαρμόστε το κάτω μέρος της χειρολαβής (7) στο πάνω μέρος της χειρολαβής (6) χρησιμοποιώντας τα μπουτόν (10), τις ροδέλες (9) και τις βίδες (8) όπως δείχνει η εικόνα.

Τοποθέτηση της κάτω χειρολαβής (εικ. Β)

- ♦ Εισάγετε τα άκρα της κάτω χειρολαβής (7) στις αντίστοιχες οπές της μηχανής.

- ♦ Πιέστε προς τα κάτω τη χειρολαβή μέχρι όσο πηγαίνει.
- ♦ Ασφαλίστε τη χειρολαβή χρησιμοποιώντας τις βίδες (12).

Ασφάλιση του καλωδίου (εικ. Β)

Το καλώδιο ρεύματος πρέπει να στερεωθεί χρησιμοποιώντας τους συγκρατητήρες καλωδίου.

- ♦ "Κουμπώστε" τον ένα συγκρατητήρα (11) στο καλώδιο που οδηγεί από το κουτί συνδεσμολογίας (3) στο μοτέρ. Ασφαλίστε το συγκρατητήρα στην κάτω χειρολαβή (7).
- ♦ "Κουμπώστε" τον άλλο συγκρατητήρα (11) στο καλώδιο που οδηγεί από το κουτί συνδεσμολογίας (3) στο μοτέρ. Ασφαλίστε το συγκρατητήρα στην πάνω χειρολαβή (7).

Προειδοποίηση! Βεβαιωθείτε ότι το καλώδιο είναι ασφαλισμένο με τους συγκρατητήρες καλωδίου πριν συνδέσετε το φως στην πρίζα του δικτύου ηλεκτρικής τροφοδοσίας.

Τοποθέτηση του συλλέκτη γρασιδιού (εικ. D)

- ♦ Με τη μηχανή στη θέση λειτουργίας, περάστε το συλλέκτη γρασιδιού (1) μέσα στις προεξοχές στο μπροστινό μέρος της μηχανής.

Ρύθμιση του ύψους καθαρισμού (εικ. E)

Η μηχανή σας διαθέτει τρεις θέσεις ύψους καθαρισμού: χαμηλή, μεσαία και υψηλή. Αυτές επιλέγονται αλλάζοντας τη θέση του ρυθμιστικού ύψους τριών θέσεων, το οποίο βρίσκεται στον πίσω τροχό (13).

- ♦ Πατήστε το κουμπί ασφάλισης του ρυθμιστικού ύψους τριών θέσεων και περιστρέψτε το ρυθμιστικό σε οποιαδήποτε από τις τρεις διαθέσιμες θέσεις, όπως δείχνει η εικ. E. Όταν το ρυθμιστικό τοποθετηθεί στην επιθυμητή θέση, απελευθερώστε το κουμπί ασφάλισης και αφήστε το ρυθμιστικό να συμπλεχθεί στο κυρίως σώμα της μηχανής (2).
- ♦ Οι τρεις θέσεις επισημαίνονται με αντίστοιχες ενδείξεις στο πλάι του σώματος της μηχανής, όπως δείχνει η εικ. E.

Οι τρεις θέσεις ύψους καθαρισμού είναι οι εξής:

- ♦ **Κατώτατη ρύθμιση (1).** Αυτή η ρύθμιση πρέπει να χρησιμοποιείται όταν θέλετε να κάνετε εντατικό καθαρισμό του γκαζόν σας. Σ' αυτή τη θέση ρύθμισης, η μηχανή καθαρισμού απομακρύνει όλες τα άχρηστα υλικά και τα ξερά χορτάρια που έχουν συγκεντρωθεί στη βάση του γρασιδιού σας. Επίσης, με αυτή τη ρύθμιση, καθαρίζει όλα τα βρύα και τα αγριόχορτα.
- ♦ **Μεσαία ρύθμιση (2).** Αυτή η ρύθμιση πρέπει να χρησιμοποιείται όταν θέλετε να κάνετε ένα μέτριο καθαρισμό του γκαζόν σας. Αυτή η ρύθμιση είναι κατάλληλη για την πλειοψηφία των γκαζόν.
- ♦ **Ανώτατη ρύθμιση (3).** Αυτή η ρύθμιση καθαρίζει και σαρώνει ελαφρά το γκαζόν σας. Μπορείτε επίσης να χρησιμοποιήσετε τη μηχανή σας σ' αυτή τη θέση

ρύθμισης για να "ανασηκώσετε" το ισοπεδωμένο γρασιδί και τα ριζώματα (δηλ. τα έρποντα στο έδαφος κοτσάνια γρασιδιού και άλλων χόρτων όπως είναι το τριφύλλι) έτσι ώστε να μπορείτε να τα κόψετε. Η ρύθμιση σαρώματος/ελαφρού καθαρισμού είναι ιδανική για τα πεσμένα φύλλα και για την περισυλλογή των υπολειμμάτων κομμένου γρασιδιού που έχουν απομείνει στο γκαζόν μετά την κοπή του.

Αναπόφευκτοι κίνδυνοι

Μπορεί να προκληθούν επιπρόσθετοι αναπόφευκτοι κίνδυνοι όταν χρησιμοποιείτε το εργαλείο οι οποίοι μπορεί να μη συμπεριλαμβάνονται στις προειδοποιήσεις ασφαλείας που εσωκλείονται. Αυτοί οι κίνδυνοι μπορεί να προκληθούν από κακή χρήση, παρατεταμένη χρήση κτλ.

Ακόμα και με την τήρηση των σχετικών κανονισμών ασφαλείας και τη χρήση μέσων προστασίας, ορισμένοι κίνδυνοι δεν είναι δυνατό να εξαλειφθούν. Αυτοί περιλαμβάνουν:

- ♦ Τραυματισμούς από το άγγιγμα των περιστρεφόμενων/κινούμενων μερών.
- ♦ Τραυματισμούς από αλλαγή οποιωνδήποτε εξαρτημάτων, λεπίδων ή αξεσουάρ.
- ♦ Τραυματισμούς από παρατεταμένη χρήση του εργαλείου. Όταν χρησιμοποιείτε οποιοδήποτε εργαλείο για παρατεταμένες χρονικές περιόδους βεβαιωθείτε ότι κάνετε τακτικά διαλείμματα.
- ♦ Προβλήματα ακοής.
- ♦ Κίνδυνοι στην υγεία που προκαλούνται από την εισπνοή σκόνης όταν χρησιμοποιείτε το εργαλείο (παραδείγματα: - όταν επεξεργάζεστε ξύλο, ειδικά δρυς, οξιά και MDF).

Χρήση

Ενεργοποίηση και απενεργοποίηση της συσκευής

Ενεργοποίηση

- ♦ Κρατήστε τη χειρολαβή και με τα δύο χέρια και γείρετέ την ελαφρά προς τα κάτω για να ανασηκωθεί το μπροστινό μέρος της συσκευής.
- ♦ Πατήστε το κουμπί απασφάλισης (4) και τραβήξτε το μοχλό λειτουργίας (5) προς το μέρος σας.
- ♦ Απελευθερώστε το κουμπί ασφάλισης (4).
- ♦ Αφήστε τη συσκευή να επανέλθει στη θέση λειτουργίας της.

Απενεργοποίηση

- ♦ Για να απενεργοποιήσετε τη συσκευή, απελευθερώστε το μοχλό λειτουργίας (5).

Μην επιχειρήσετε ποτέ να ασφαλίσετε ένα διακόπτη στη θέση ενεργοποίησης (ΟΝ).

Προειδοποίηση! Αφήστε τη συσκευή να λειτουργήσει με το δικό της ρυθμό. Μην την υπερφορτώνετε.

Για τη σωστή φροντίδα του γκαζόν σας, δε χρειάζεται τίποτε περισσότερο από το να το κουρεύετε μια φορά την εβδομάδα κατά τη διάρκεια του καλοκαιριού. Το γκαζόν ωφελείται από έναν εντατικό καθαρισμό του γρασιδιού για την απομάκρυνση του ξερού γρασιδιού, των βρύων και των αγριόχορτων, τα οποία χαλάνε την εμφάνιση του γκαζόν. Η συγκέντρωση ξερού γρασιδιού δημιουργεί ένα στρώμα απορροφητικών ινών το οποίο εμποδίζει το νερό να φτάσει στο έδαφος και εάν αυτό το στρώμα κατακρατήσει παρατεταμένα υπερβολική υγρασία, μπορεί να ευνοήσει τις ασθένειες του γρασιδιού και να εμποδίσει τη βλάστηση υγιούς γρασιδιού.

- ♦ Τοποθετήστε το μεγαλύτερο μέρος του καλωδίου προέκτασης στο γκαζόν κοντά στο σημείο έναρξης της εργασίας σας (εικ. F, θέση 1).
- ♦ Κρατήστε τη χειρολαβή και με τα δυο σας χέρια και κρατήστε το πάνω τμήμα του καλωδίου προέκτασης με το χέρι που δε χειρίζεται το μοχλό λειτουργίας.

Προειδοποίηση! Μην επιχειρήσετε να χειριστείτε τη μηχανή μόνο με το ένα χέρι – πρέπει να την καθοδηγείτε και με τα δυο χέρια.

- ♦ Ενεργοποιήστε τη μηχανή όπως περιγράφεται παραπάνω.
- ♦ Εργαστείτε στην προς καθαρισμό περιοχή προχωρώντας από τη θέση 1 προς τη θέση 2. Όταν φτάσετε στη θέση 2, στρίψτε δεξιά και προχωρήστε προς τη θέση 3. Συνεχίστε μέχρι το τέλος της προς καθαρισμό περιοχής, στρίψτε αριστερά και προχωρήστε προς τη θέση 4.
- ♦ Συνεχίστε με τον ίδιο τρόπο, όπως εικονίζεται στο αριστερό σχεδιάγραμμα, δουλεύοντας πάντα σε απόσταση από το καλώδιο. Μην εφαρμόζετε τη μέθοδο που εικονίζεται στο δεξιό σχεδιάγραμμα, δουλεύοντας προς το καλώδιο, καθώς αυτή η πρακτική είναι επικίνδυνη.

Όταν τελειώσετε την εργασία με τη μηχανή, σας συνιστούμε να καθαρίσετε όλα τα υπολείμματα από αυτήν πριν την αποθηκεύσετε. Ανατρέξτε στην ενότητα "Συντήρηση" αυτού του εγχειριδίου.

Σημείωση: Για να επιτύχετε τα καλύτερα δυνατά αποτελέσματα, να καθαρίζετε τακτικά με τη μηχανή το γκαζόν ή την έκταση γρασιδιού σας και να μην πραγματοποιείτε καθαρισμό όταν το γρασιδί είναι βρεγμένο.

- ♦ Όταν εκτελείτε καθαρισμό στις παρυφές του γκαζόν σας, πιέστε προς τα κάτω τη χειρολαβή για να εμποδίσετε τους τροχούς να βγουν εκτός των ορίων του γκαζόν.

- ♦ Για να παρατείνετε την ωφέλιμη διάρκεια ζωής του συγκροτήματος δοντιών, να καθαρίζετε την επιφάνεια του γκαζόν σας από τυχόν άχρηστα υλικά ή πέτρες.

Προειδοποίηση! Αποφύγετε να συνδέσετε στο ρεύμα ένα καεστραμμένο καλώδιο ή να το πιάσετε πριν το αποσυνδέσετε. Μπορεί να έρθετε σε επαφή με γυμνά μέρη του και να σας "τινάξει".

Προειδοποίηση! Μην αγγίζετε τα δόντια πριν αποσυνδέσετε τη μηχανή από το ρεύμα και πριν τα δόντια σταματήσουν να περιστρέφονται τελείως.

Προειδοποίηση! Τα παιδιά πρέπει να επιτηρούνται για να διασφαλίζεται ότι ότι δεν παίζουν με τη συσκευή.

Προειδοποίηση! Αυτή η συσκευή δεν προορίζεται για χρήση από άτομα (στα οποία περιλαμβάνονται και τα παιδιά) με μειωμένες φυσικές, αντιληπτικές ή διανοητικές ικανότητες, ή άτομα χωρίς εμπειρία και γνώσεις, παρά μόνο εφόσον επιτηρούνται ή τους έχουν δοθεί οδηγίες σχετικά με τη χρήση της συσκευής από άτομο υπεύθυνο για την ασφάλειά τους.

Συμβουλές για άριστη χρήση

Μην περνάτε εξαναγκαστικά τη μηχανή σας από εκτάσεις με γρασίδι πολύ μεγάλου μήκους. Σας συνιστούμε να μη χρησιμοποιείτε τη μηχανή σε γρασίδι που έχει μήκος μεγαλύτερο από 75 mm (3 in.).

- ♦ Μη χρησιμοποιείτε τη μηχανή σε βροχή ή σε συνθήκες υψηλής υγρασίας.
- ♦ Για να έχετε τα καλύτερα αποτελέσματα από τη μηχανή σας, να τη χρησιμοποιείτε τακτικά. Σας συνιστούμε να χρησιμοποιείτε τη μηχανή στην αρχή και το τέλος κάθε εργασίας κοπής γρασιδιού για ένα πλήρες επιφανειακό σκάλισμα του γκαζόν σας. Η μηχανή σας θα πρέπει επίσης να χρησιμοποιείται μετά από κάθε εργασία κομμένου γρασιδιού για την αφαίρεση των καταλοιπών κομμένου γρασιδιού που ενδεχομένως έχει αφήσει πίσω η μηχανή σας.
- ♦ Εκτελέστε καθαρισμό πρώτα προς τη μια κατεύθυνση και στη συνέχεια, την επόμενη φορά, σε ορθές γωνίες. Αρχικά, αυτό μπορεί να κάνει να φαίνεται γυμνό και ακανόνιστο, ωστόσο το γρασίδι θα ανακάμψει πολύ γρήγορα.

Συντήρηση

Αυτή η συσκευή της Black & Decker έχει σχεδιαστεί έτσι ώστε να λειτουργεί για μεγάλο χρονικό διάστημα με την ελάχιστη δυνατή συντήρηση. Η αδιάλειπτη και κανονική λειτουργία της συσκευής εξαρτάται από τη φροντίδα και τον τακτικό καθαρισμό της.

- ♦ Διατηρείτε τη συσκευή καθαρή και στεγνή.
- ♦ Καθαρίζετε σε τακτική βάση τις εγχοπές εξαερισμού με ένα καθαρό, στεγνό πανέλο βαφής.

- ♦ Χρησιμοποιείτε τακτικά μια μη αιχμηρή ξύστρα για να αφαιρέσετε το γρασίδι και το χώμα από τη συσκευή.
- ♦ Για τον καθαρισμό της συσκευής, χρησιμοποιείτε αποκλειστικά ήπιο σαπούνι και υγρό πανί. Μην επιτρέψετε ποτέ να εισέλθει υγρό στο εσωτερικό της συσκευής και μη βυθίσετε ποτέ οποιοδήποτε εξάρτημα της συσκευής σε υγρό. Μη χρησιμοποιείτε λειανικά καθαριστικά ή υγρά καθαρισμού που περιέχουν διαλυτικά.

Αντιμέτωπιση προβλημάτων

Σε περίπτωση που η συσκευή σας δε φαίνεται να λειτουργεί σωστά, ακολουθήστε τις παρακάτω οδηγίες. Εάν αυτό δεν σας βοηθήσει να επιλύσετε το πρόβλημα, παρακαλείστε να επικοινωνήσετε με το πλησιέστερο κέντρο επισκευών της Black & Decker.

Προειδοποίηση! Πριν προχωρήσετε, αποσυνδέστε το φως από την πρίζα.

Το μοτέρ παράγει θόρυβο αλλά το συγκρότημα δοντιών δεν κινείται

- ♦ Αφαιρέστε προσεκτικά τυχόν υλικά που φράσσουν τα δόντια.

Δεν ακούγεται κανένας θόρυβος και το συγκρότημα δοντιών δεν κινείται

- ♦ Ελέγξτε ότι τα καλώδια ρεύματος είναι συνδεδεμένα σωστά.
- ♦ Ελέγξτε τις ασφάλειες του δικτύου ηλεκτρικής τροφοδοσίας.

Προστασία του περιβάλλοντος



Ξεχωριστή περισυλλογή. Αυτό το προϊόν δεν πρέπει να απορρίπτεται μαζί με τα κοινά οικιακά απορρίμματα.

Εάν κάποια μέρα αποφασίσετε ότι η συσκευή σας χρειάζεται αντικατάσταση ή ότι δεν την χρειάζεστε άλλο, μην την απορρίψετε με τα οικιακά απορρίμματα. Διαθέστε το προϊόν αυτό για επιλεκτική περισυλλογή.



Η ανεξάρτητη συλλογή των μεταχειρισμένων προϊόντων και των υλικών συσκευασίας δίνει τη δυνατότητα ανακύκλωσης και επαναχρησιμοποίησης των υλικών. Με την επαναχρησιμοποίηση των ανακυκλωμένων υλικών αποτρέπεται η μόλυνση του περιβάλλοντος και μειώνεται η ζήτηση πρώτων υλών.

Οι κανονισμοί που ισχύουν στην περιοχή σας ενδέχεται να προβλέπουν την επιλεκτική περισυλλογή των ηλεκτρικών συσκευών που προέρχονται από νοικοκυριά σε κρατικές εγκαταστάσεις ή από τον έμπορο όταν αγοράσετε ένα καινούργιο προϊόν.

Η Black & Decker δίνει τη δυνατότητα ανακύκλωσης των προϊόντων της που έχουν συμπληρώσει τη διάρκεια ζωής τους. Για να χρησιμοποιήσετε αυτήν την υπηρεσία, επιστρέψτε το προϊόν σας σε οποιοδήποτε εξουσιοδοτημένο κέντρο επισκευών, όπου θα το παραλάβουν εκ μέρους μας.

Ενημερωθείτε για το πλησιέστερο εξουσιοδοτημένο κέντρο επισκευών της περιοχής σας, επικοινωνώντας με τα γραφεία της Black & Decker στη διεύθυνση που αναγράφεται στο εγχειρίδιο. Επίσης, για να πληροφορηθείτε για τα εξουσιοδοτημένα κέντρα επισκευών της Black & Decker και τους αρμόδιους των υπηρεσιών που παρέχονται μετά την πώληση, μπορείτε να ανατρέξετε στο Διαδίκτυο, στη διεύθυνση: www.2helpU.com.

Τεχνικά χαρακτηριστικά

| | GD300 ΤΥΠΟΣ 1 | GD300X ΤΥΠΟΣ 1 |
|-----------------------|--------------------------|---------------------------|
| Τάση | Vac 230 | 230 |
| Ισχύς εισόδου | W 600 | 500 |
| Ταχύτητα χωρίς φορτίο | min ⁻¹ 3000 | 3000 |
| Ρύθμιση ύψους | cm -2/3/8 | -2/3/8 |
| Βάρος | kg 7 | 7 |

| |
|---|
| Στάθμη ηχητικής πίεσης: |
| Ηχητική πίεση (L_{pA}) 76 dB(A), αβεβαιότητα (Κ) 3 dB(A) |
| Ηχητική ισχύς (L_{WA}) 95 dB(A), αβεβαιότητα (Κ) 3 dB(A) |
| Συνολικές τιμές δόνησης (διανυσματικό άθροισμα τριών αξόνων) κατά EN 13684: |
| Τιμή εκπομπής δόνησης (a_{Hv}) <2.5 m/s ² , αβεβαιότητα (Κ) 1.5 m/s ² |

Δήλωση συμμόρφωσης με την Ευρωπαϊκή Κοινότητα

ΟΔΗΓΙΑ ΠΕΡΙ ΜΗΧΑΝΗΜΑΤΩΝ
ΟΔΗΓΙΑ ΓΙΑ ΘΟΥΡΥΒΟΥΣ ΣΕ ΕΞΩΤΕΡΙΚΟΥΣ ΧΩΡΟΥΣ



GD300, GD300X

Η Black & Decker δηλώνει ότι τα προϊόντα αυτά που περιγράφονται στα "τεχνικά χαρακτηριστικά" συμμορφώνονται με την:

2006/42/ΕΚ
EN60335-1, EN60335-2-92

2000/14/ΕΚ, Αναμοχλευτήρας, Παράρτημα V,

Στάθμη ηχητικής ισχύος σύμφωνα με 2000/14/ΕΚ (Άρθρο 13, Παράρτημα III):

L_{WA} (μετρημένη ηχητική ισχύς) 95 dB αβεβαιότητα (Κ) 3 dB(A)

L_{WA} (εγγυημένη ηχητική ισχύς) 98 dB αβεβαιότητα (Κ) 3 dB(A)

Αυτά τα προϊόντα συμμορφώνονται επίσης με την Οδηγία 2004/108/ΕΚ και 2011/65/ΕΕ

Για περισσότερες πληροφορίες, παρακαλείσθε να επικοινωνήσετε με την Black & Decker στην παρακάτω διεύθυνση ή να ανατρέξετε στο πίσω μέρος του εγχειριδίου.

Ο κάτωθι υπογεγραμμένος είναι υπεύθυνος για την κατάρτιση του τεχνικού φακέλου και δηλώνει τα παρόντα εκ μέρους της Black & Decker.

Kevin Hewitt
Vice-President Global Engineering
Black & Decker Europe,
210 Bath Road, Slough,
Berkshire, SL1 3YD
Ηνωμένο Βασίλειο
29/10/2012

Εγγύηση

Η Black & Decker είναι σίγουρη για την ποιότητα των προϊόντων της και παρέχει σημαντική εγγύηση. Η παρούσα γραπτή εγγύηση αποτελεί πρόσθετο δικαίωμά σας και δεν ζημιώνει τα νόμιμα δικαιώματά σας. Η εγγύηση ισχύει εντός της επικράτειας των Κρατών Μελών της Ευρωπαϊκής Ένωσης και της Ευρωπαϊκής Ζώνης Ελευθέρων Συναλλαγών.

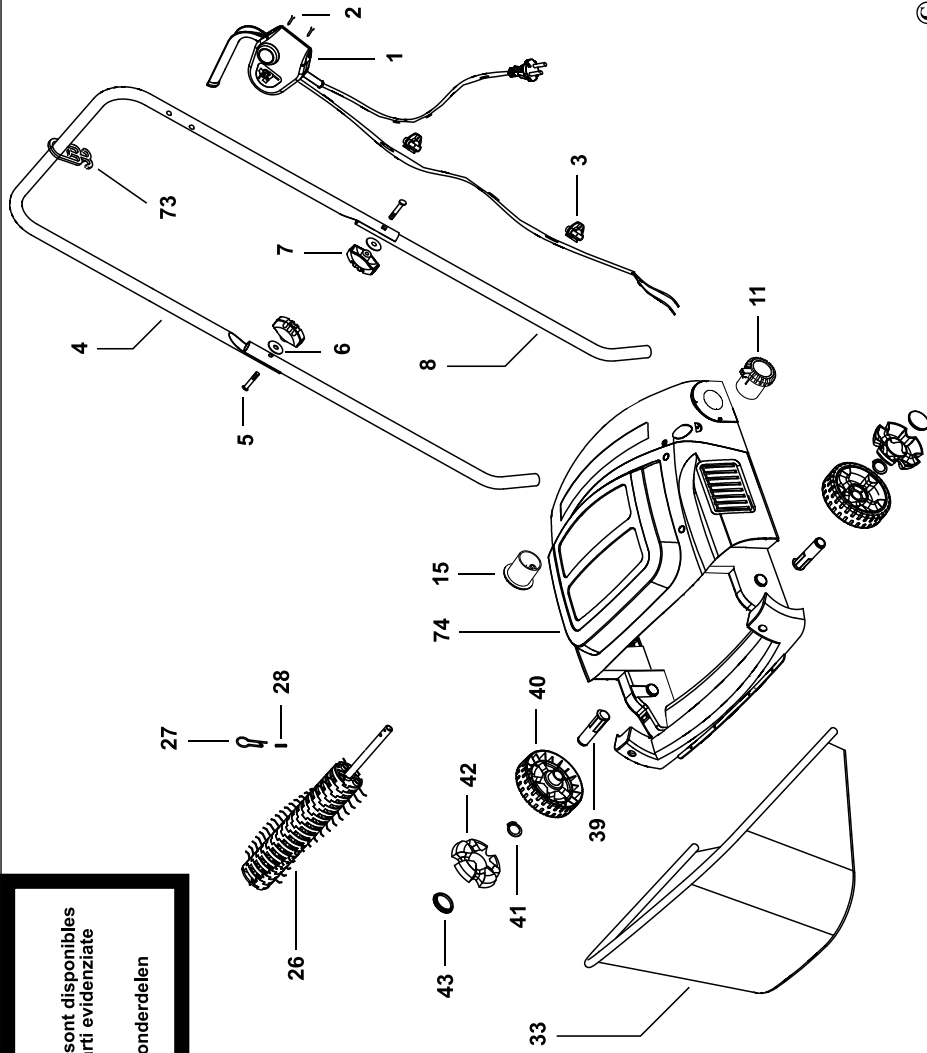
Σε περίπτωση που κάποιο προϊόν της Black & Decker παρουσιάσει βλάβη εξαιτίας ελαττωματικών υλικών, ποιότητας εργασίας ή έλλειψης συμφωνίας με τις προδιαγραφές εντός 24 μηνών από την ημερομηνία αγοράς, η Black & Decker εγγυάται την αντικατάσταση των ελαττωματικών τμημάτων, την επισκευή προϊόντων που έχουν υποστεί εύλογη φθορά λόγω χρήσης ή την αντικατάσταση των προϊόντων προκειμένου να εξασφαλίσει την ελάχιστη ενόχληση στους πελάτες της, εκτός εάν:

- ◆ Το προϊόν έχει χρησιμοποιηθεί σε εργασιακό, επαγγελματικό περιβάλλον ή αν έχει ενοικιαστεί.
- ◆ Έχει γίνει εσφαλμένη χρήση του προϊόντος ή έχει παραμεληθεί.
- ◆ Το προϊόν έχει υποστεί βλάβη από άλλα αντικείμενα, από ουσίες ή λόγω ατυχήματος.
- ◆ Έχει γίνει προσπάθεια επισκευής από μη εξουσιοδοτημένα κέντρα επισκευών ή από προσωπικό που δεν ανήκει στο προσωπικό της Black & Decker.

Για να ισχύσει η εγγύηση, πρέπει να υποβάλετε απόδειξη αγοράς στον πωλητή ή το εξουσιοδοτημένο κέντρο επισκευών. Ενημερωθείτε για το πλησιέστερο εξουσιοδοτημένο κέντρο επισκευών της περιοχής σας, επικοινωνώντας με τα γραφεία της Black & Decker στη διεύθυνση που αναγράφεται στο εγχειρίδιο. Επίσης, για να πληροφορηθείτε για τα εξουσιοδοτημένα κέντρα επισκευών της Black & Decker και τους αρμόδιους των υπηρεσιών που παρέχονται μετά την πώληση, μπορείτε να ανατρέξετε στο Διαδίκτυο, στη διεύθυνση: www.2helpU.com.

Παρακαλούμε επισκεφθείτε την ιστοσελίδα μας www.blackanddecker.eu για να καταχωρήσετε το νέο σας προϊόν Black & Decker και για να ενημερώνεστε για τα νέα προϊόντα και τις ειδικές προσφορές. Περισσότερες πληροφορίες σχετικά με τη μάρκα Black & Decker και τη σειρά των προϊόντων μας θα βρείτε στη διεύθυνση www.blackanddecker.eu.

Partial support - Only parts shown available
Nur die aufgeführten teile sind lieferbar
Reparation partielle - Seules les pieces indiquees sont disponibles
Supporto parziale - Sono disponibili soltanto le parti evidenziate
Solo estan disponibles las peizas listadas
So se encontram disponibles as pecas listadas
Gedeeltelijke ondersteuning - alleen de getoonde onderdelen
zijn beschikbaar



ENGLISH

Do not forget to register your product!

www.blackanddecker.co.uk/productregistration
Register your product online at www.blackanddecker.co.uk/productregistration or send your name, surname and product code to Black & Decker in your country

DEUTSCH

Vergessen Sie nicht, Ihr Produkt registrieren zu lassen!

www.blackanddecker.de/productregistration
Lassen Sie Ihr Produkt unter www.blackanddecker.de/productregistration online registrieren oder schicken Sie Ihren Nachnamen, Vornamen und den Produktcode an Black & Decker in Ihrem Land.

FRANÇAIS

N'oubliez pas d'enregistrer votre produit !

www.blackanddecker.fr/productregistration
Enregistrez votre produit en ligne sur www.blackanddecker.fr/productregistration ou envoyez vos nom, prénom et code produit à Black & Decker dans votre pays.

ITALIANO

Non dimenticate di registrare il prodotto!

www.blackanddecker.it/productregistration
Registrate il prodotto online su www.blackanddecker.it/productregistration o inviate nome, cognome e codice del prodotto al centro Black & Decker del vostro paese.

NEDERLANDS

Vergeet niet uw product te registreren!

www.blackanddecker.nl/productregistration
U kunt uw product online registreren op www.blackanddecker.nl/productregistration of u kunt uw voornaam, achternaam en productcode opsturen naar Black & Decker in uw land.

ESPAÑOL

¡No olvide registrar su producto!

www.blackanddecker.es/productregistration
Registre su producto on-line en www.blackanddecker.es/productregistration o envíe su nombre, apellidos y código de producto a Black & Decker en su país.

PORTUGUÊS

Não se esqueça de registar o seu produto!

www.blackanddecker.pt/productregistration
Registe o seu produto online em www.blackanddecker.pt/productregistration ou envie o seu nome, apelido e código do produto para a Black & Decker no seu país.

SVENSKA

Glöm inte att registrera produkten!

www.blackanddecker.se/productregistration
Registrera produkten online på www.blackanddecker.se/productregistration eller skicka namn och produktkod till Black & Decker i landet du bor i.

NORSK

Ikke glem å registrere produktet ditt!

www.blackanddecker.no/productregistration
Registrer produktet ditt online på www.blackanddecker.no/productregistration, eller send ditt navn, etternavn og produktkode til Black & Decker i ditt eget land.

DANSK

Glem ikke at registrere dit produkt!

www.blackanddecker.dk/productregistration
Registrer dit produkt på internettet på: www.blackanddecker.dk/productregistration eller send dit navn, efternavn og produktkode til Black & Decker i dit eget land.

SUOMI

Muistathan rekisteröidä tuotteesi!

www.blackanddecker.fi/productregistration
Rekisteröi tuotteesi verkossa osoitteessa www.blackanddecker.fi/productregistration tai läheta etunimesi, sukunimesi ja tuotekoodi oman maasi Black & Decker -edustajalle.

ΕΛΛΗΝΙΚΑ

Μην ξεχάσετε να καταχωρίσετε το προϊόν σας!

www.blackanddecker.gr/productregistration
Καταχωρίστε το προϊόν σας σε σύνδεση στη σελίδα www.blackanddecker.gr/productregistration ή στείλτε το όνομα, επίθετο σας και τον κωδικό προηγουμένως στη Black & Decker στη χώρα σας.

| | | | |
|---------------------------------|---|--------------------------------------|--|
| België/Belgique | Black & Decker (Belgium) N.V. Nieuwlandlaan 321 3200 Aarschot | Tel. Fax | 016 68 91 00 016 68 91 11 |
| Danmark | Black & Decker Sluseholmen 2-4, 2450 København SV Internet: www.blackanddecker.dk | Tel. Fax | 70 20 15 10 70 22 49 10 |
| Deutschland | Black & Decker GmbH Black & Decker Str. 40, D - 65510 Idstein | Tel. Fax | 06126/21 - 0 06126/21 29 80 |
| Ελλάδα | Black & Decker (Ελλάς) A.E. Στράβωνος 7 & Λεωφ. Βουλιαγμένης 159 166 74 Γλυφάδα - Αθήνα | Τηλ. Φαξ www.blackanddecker.eu | 210 8981616 210 8983285 |
| España | Black & Decker Ibérica, S.C.A. Parc de Negocis "Mas Blau" Edificio Muntadas, c/Bergadá, 1, Of. A6 08820 El Prat de Llobregat (Barcelona) | Tel. Fax | 934 797 400 934 797 419 |
| France | Black & Decker (France) S.A.S. B.P. 21, 69571 Dardilly Cédex | Tel. Fax | 04 72 20 39 20 04 72 20 39 00 |
| Helvetia | ROFO AG Gewerbezone Seeblick 3213 Kleinbösingen | Tel. Fax | 026-6749391 026-6749394 |
| Italia | Black & Decker Italia SpA Viale Elvezia 2 20052 Monza (MI) | Tel. Fax Numero verde | 039-23871 039-2387592/2387594 800-213935 |
| Nederland | Black & Decker Benelux Joulehof 12, 4622 RG Bergen op Zoom | Tel. Fax | 0164 - 283000 0164 - 283100 |
| Norge | Black & Decker (Norge) A/S Postboks 4814, Nydalen, 0422 Oslo Internet: www.blackanddecker.no | Tlf. Fax | 22 90 99 00 22 90 99 01 |
| Österreich | Black & Decker Vertriebsges.m.b.H Oberlaaerstraße 246, A1100 Wien | Tel. Fax | 01 66116-0 01 66116-14 |
| Portugal | Black & Decker Rua Egas Moniz 173 S. João do Estoril 2766-651 Estoril | Tel. Fax | 214667500 214667580 |
| Suomi | Black & Decker Oy Keilasatama 3, 02150 Espoo Black & Decker Oy, Kägelhamnen 3, 02150 Esbo | Puh. Faksi Tel. Fax | 010 400 430 (09) 2510 7100 010 400 430 (09) 2510 7100 |
| Sverige | Black & Decker AB Fabriksg. 7, 412 50 Göteborg | Tel. Fax | 031-68 60 60 031-68 60 80 |
| United Kingdom | Black & Decker 210 Bath Road Slough, Berkshire SL1 3YD | Tel. Fax Helpline | 01753 511234 01753 551155 01753 574277 |
| Middle East & Africa | Black & Decker (Overseas) A.G. PB 5420, Dubai, United Arab Emirates | Tel. Fax | +971 4 2826464 +971 4 2826466 |