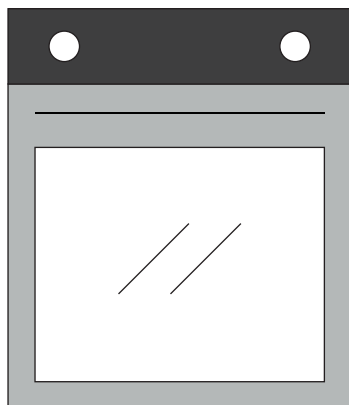


CANDY



User Instructions

OVENS

EN

2

Mode d'emploi

FOURS

FR

14

Istruzioni per l'uso

FORNI

IT

26

Instrucciones de uso

HORNOS

ES

38

Handleiding

OVENS

NL

50

Bedienungsanleitung

ÖFEN

DE

62

Instruções para o utilizador

FORNOS

PT

74

Οδηγίες χρήσης

ΦΟΥΡΝΕΣ

GR

86

Summary

3	Safety Indications
7	General Instructions
9	Product description
10	Display description
11	Cooking Modes
12	General notes on cleaning
12	Maintenance
13	Troubleshooting
99	Installation

Safety Indications

- During cooking, moisture may condense inside the oven cavity or on the glass of the door. This is a normal condition. To reduce this effect, wait 10-15 minutes after turning on the power before putting food inside the oven. In any case, the condensation disappears when the oven reaches the cooking temperature.
- Cook the vegetables in a container with a lid instead of an open tray.
- Avoid leaving food inside the oven after cooking for more than 15/20 minutes.
- WARNING: the accessible parts can become hot when the oven is in use. Young children should be kept at a safe distance.
- WARNING: the accessible parts can become hot when the grill is in use. Children should be kept at a safe distance.
- Disconnect the appliance from the mains electricity supply before carrying out any work or maintenance.
- WARNING: in order to avoid any danger caused by the accidental resetting of the thermal interruption device, the appliance should not be powered by an external switching device, such as a timer, or be connected to a circuit that is regularly switched on and off.
- Children under 8 should be kept at a safe distance from the appliance if not continuously supervised.
- Children should not play with the appliance.
- The appliance can be used by those aged 8 or over and by those with limited physical, sensorial or mental capacities, without experience or knowledge of the product, only if supervised or provided with instruction as to the operation of the appliance, in a safe way with awareness of the possible risks.
- Cleaning and maintenance should not be carried out by unsupervised children.
- Do not use rough or abrasive materials or sharp metal scrapers to clean the oven door glasses, as they can scratch the surface

and cause the glass to shatter.

- The oven must be switched off before removing the removable parts. After cleaning, reassemble them according the instructions.
- Only use the meat probe recommended for this oven.
- Do not use a steam cleaner or high pressure spray for cleaning operations.
- IF THE OVEN IS PROVIDED BY THE MANUFACTURER WITHOUT PLUG:

THE APPLIANCE MUST NOT BE CONNECTED TO THE POWER SOURCE USING PLUG OR SOCKETS, BUT MUST BE DIRECTLY CONNECTED TO THE SUPPLY MAINS. The connection to the power source must be carried out by a suitably qualified professional. In order to have an installation compliant to the current safety legislation the oven must be connected only placing an omnipolar breaker, with contact separation compliant to the requirements for overvoltage category III, between the appliance and the power source. The omnipolar breaker must bear the maximum connected load and must be in line with current legislation. The yellow-green earth cable should not be interrupted by the breaker. The omnipolar breaker used for the connection must be easily accessible when the appliance is installed.

The connection to the power source must be carried out by a suitably qualified professional considering the polarity of the oven and of the power source.

The disconnection must be achieved incorporating a switch in the fixed wiring in accordance with the wiring rules

- IF THE OVEN IS PROVIDED BY THE MANUFACTURER WITH PLUG:

The socket must be suitable for the load indicated on the tag and must have ground contact connected and in operation. The earth conductor is yellow-green in colour. This operation should be carried out by a suitably qualified professional. In case

of incompatibility between the socket and the appliance plug, ask a qualified electrician to substitute the socket with another suitable type. The plug and the socket must be conformed to the current norms of the installation country. Connection to the power source can also be made by placing an omnipolar breaker, with contact separation compliant to the requirements for overvoltage category III, between the appliance and the power source that can bear the maximum connected load and that is in line with current legislation. The yellow-green earth cable should not be interrupted by the breaker. The socket or omnipolar breaker used for the connection should be easily accessible when the appliance is installed.

The disconnection may be achieved by having the plug accessible or by incorporating a switch in the fixed wiring in accordance with the wiring rules.

- If the power cable is damaged, it should be substituted with a cable or special bundle available from the manufacturer or by contacting the customer service department. The type of power cable must be H05V2V2-F. This operation should be carried out by a suitably qualified professional. The earth conductor (yellow-green) must be approximately 10 mm longer than the other conductors. For any repairs, refer only to the Customer Care Department and request the use of original spare parts.
- Failure to comply with the above can compromise the safety of the appliance and invalidate the guarantee.
- Any excess of spilled material should be removed before cleaning.
- A long power supply failure during an occurring cooking phase may cause a malfunction of the monitor. In this case contact customer service.
- The appliance must not be installed behind a decorative door in order to avoid overheating.
- When you place the shelf inside, make sure that the stop is directed upwards and in the back of the cavity. The shelf must be

inserted completely into the cavity.

- When inserting the grid tray pay attention that the anti-slide edge is positioned rearwards and upwards.
- **WARNING:** Do not line the oven walls with aluminium foil or single-use protection available from stores. Aluminium foil or any other protection, in direct contact with the hot enamel, risk melting and deteriorating the enamel of the insides.
- **WARNING:** Never remove the oven door seal.
- **CAUTION:** Do not refill the cavity bottom with water during cooking or when the oven is hot.
- No additional operation/setting is required in order to operate the appliance at the rated frequencies.
- The oven can be located high in a column or under a worktop. Before fixing, you must ensure good ventilation in the oven space to allow proper circulation of the fresh air required for cooling and protecting the internal parts. Make the openings specified on last page according to the type of fitting.
- For a correct use of the oven it is advisable not to put the food in direct contact with the racks and trays, but to use oven papers and / or special containers.

General Instructions

We thank you for choosing one of our products. For the best results with your oven, you should read this manual carefully and retain it for future reference. Before installing the oven, take note of the serial number so that you can give it to customer service staff if any repairs are required. Having removed the oven from its packaging, check that it has not been damaged during transportation. If you have doubts, do not use the oven and refer to a qualified technician for advice. Keep all of the packaging material (plastic bags, polystyrene, nails) out of the reach of children. When the oven is switched on for the first time, strong smelling smoke can develop, which is caused by the glue on the insulation panels surrounding the oven heating for the first time. This is absolutely normal and, if it occurs, you should wait for the smoke to dissipate before putting food in the oven. The manufacturer accepts no responsibility in cases where the instructions contained in this document are not observed.

NOTE: the oven functions, properties and accessories cited in this manual will vary, depending on the model you have purchased.

Safety Indications

Only use the oven for its intended purpose, that is only for the cooking of foods; any other use, for example as a heat source, is considered improper and therefore dangerous. The manufacturer cannot be held responsible for any damage resulting from improper, incorrect or unreasonable usage.

The use of any electrical appliance implies the observance of some fundamental rules:

- do not pull on the power cable to disconnect the plug from the socket;
- do not touch the appliance with wet or damp hands or feet;
- in general the use of adaptors, multiple sockets and extension cables is not recommended;
- in case of malfunction and/or poor operation, switch off the appliance and do not tamper with it.

Electrical Safety

ENSURE THAT AN ELECTRICIAN OR QUALIFIED TECHNICIAN MAKES THE ELECTRICAL CONNECTIONS. The power supply to which the oven is connected must conform with the laws in force in the country of installation. The manufacturer accepts no responsibility for any damage caused by the failure to observe these instructions. The oven must be connected to an electrical supply with an earthed wall outlet or a disconnecter with multiple poles, depending on the laws in force in the country of installation. The electrical supply should be protected with suitable fuses and the cables used must have a transverse section that can ensure correct supply to the oven.

CONNECTION

The oven is supplied with a power cable that should only be connected to an electrical supply with 220-240 Vac power between the phases or between the phase and neutral. Before the oven is connected to the electrical supply, it is important to check:

- power voltage indicated on the gauge;
- the setting of the disconnecter.

The grounding wire connected to the oven's earth terminal must be connected to the earth terminal of the power supply.

WARNING

Before connecting the oven to the power supply, ask a qualified electrician to check the continuity of the power supply's earth terminal. The manufacturer accepts no responsibility for any accidents or other problems caused by failure to connect the oven to the earth terminal or by an earth connection that has defective continuity.

NOTE: as the oven could require maintenance work, it is advisable to keep another wall socket available so that the oven can be connected to this if it is removed from the space in which it is installed. The power cable must only be substituted by technical service staff or by technicians with equivalent qualifications.

A low light around the central main switch could be present when the oven is off. This is a normal behavior. It can be removed just turning the plug upside down or swapping the supply terminals.

Recommendations

After each use of the oven, a minimum of cleaning will help keep the oven perfectly clean.

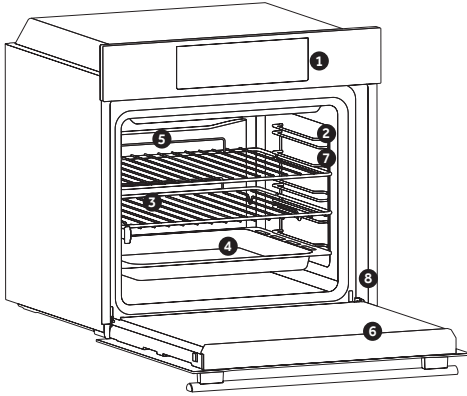
Do not line the oven walls with aluminium foil or single-use protection available from stores. Aluminium foil or any other protection, in direct contact with the hot enamel, risks melting and deteriorating the enamel of the insides. In order to prevent excessive dirtying of your oven and the resulting strong smokey smells, we recommend not using the oven at very high temperature. It is better to extend the cooking time and lower the temperature a little. In addition to the accessories supplied with the oven, we advise you only use dishes and baking moulds resistant to very high temperatures.

Installation

The manufacturers have no obligation to carry this out. If the assistance of the manufacturer is required to rectify faults arising from incorrect installation, this assistance is not covered by the guarantee. The installation instructions for professionally qualified personnel must be followed. Incorrect installation may cause harm or injury to people, animals or belongings. The manufacturer cannot be held responsible for such harm or injury.

The oven can be located high in a column or under a worktop. Before fixing, you must ensure good ventilation in the oven space to allow proper circulation of the fresh air required for cooling and protecting the internal parts. Make the openings specified on last page according to the type of fitting.

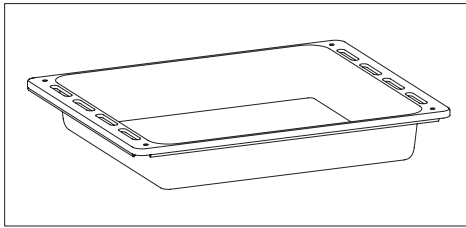
Product description



1. Control panel
2. Shelf positions (lateral wire grid if included)
3. Grids
4. Trays
5. Fan (if present)
6. Oven door
7. Lateral wire grids (if present: only for flat cavity)
8. **Serial number**

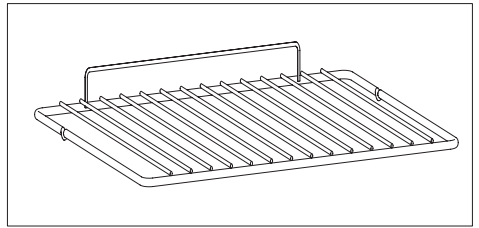
ACCESSORIES

Drip tray



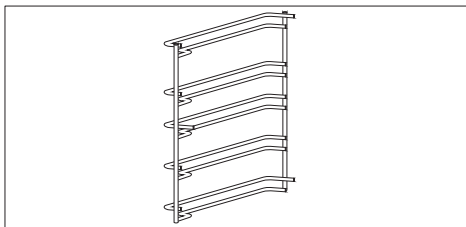
Collects residues that drip when cooking food on the grills.

Metal grid



Holds baking trays and plates.

Lateral wire grids (only if present)

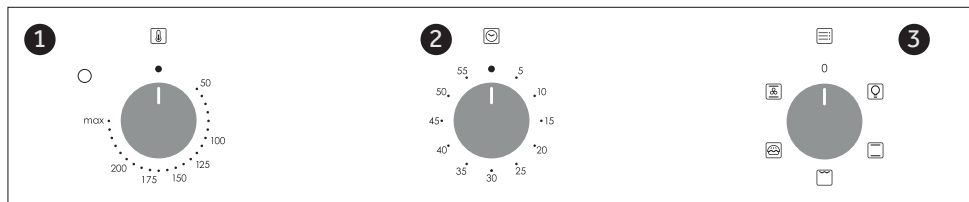


Located on both sides of the oven cavity, holds metal grills and drip pans.

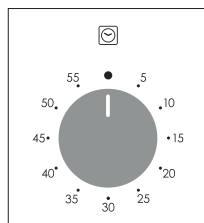
First Use

PRELIMINARY CLEANING; Clean the oven before using for the first time. Wipe over external surfaces with a damp soft cloth. Wash all accessories and wipe inside the oven with a solution of hot water and washing up liquid. Set the empty oven to the maximum temperature and leave on for about 1 hour, this will remove any lingering smells of newness.

Display description








1. Thermostat selector knob
2. Cooking time
3. Function selector knob



To set the cooking time, turn dial one complete revolution and then position the index to the required time. When the time has lapsed, the signal will ring for a few seconds.

Cooking Modes

Symbol	T °C de-fault	T °C range	Function
			LAMP: Turns on the oven light.
	220	50 ÷ MAX	* CONVENTIONAL: Both top and bottom heating elements are used. Preheat the oven for about ten minutes. This method is ideal for all traditional roasting and baking. For seizing red meats, roast beef, leg of lamb, game, bread, foil wrapped food (papillotes), flaky pastry. Place the food and its dish on a shelf in mid position.
	230	50 ÷ MAX	GRILL : use the grill with the door closed. The top heating element is used alone and you can adjust the temperature. Five minutes preheating is required to get the elements red-hot. Success is guaranteed for grills, kebabs and gratin dishes. White meats should be put at a distance from the grill; the cooking time is longer, but the meat will be tastier. You can put red meats and fish fillets on the shelf with the drip tray underneath.
	190	50 ÷ MAX	* COOK LIGHT: This function allows to cook in a healthier way, by reducing the amount of fat or oil required. The combination of heating elements with a pulsating cycle of air ensures a perfect baking result.
	180	50 ÷ MAX	MULTI-LEVEL: We recommend you use this method for poultry, pastries, fish and vegetables. Heat penetrates into the food better and both the cooking and preheating times are reduced. You can cook different foods at the same time with or without the same preparation in one or more positions. This cooking method gives even heat distribution and the smells are not mixed. Allow about ten minutes extra when cooking foods at the same time.

* Tested in accordance with the EN 60350-1 for the purpose of energy consumption declaration and energy class.

General notes on cleaning

The lifecycle of the appliance can be extended through regular cleaning. Wait for the oven to cool before carrying out manual cleaning operations. Never use abrasive detergents, steel wool or sharp objects for cleaning, so as to not irreparably damage the enamelled parts. Use only water, soap or bleach-based detergents (ammonia).

GLASS PARTS

It is advisable to clean the glass window with absorbent kitchen towel after every use of the oven. To remove more obstinate stains, you can use a detergent-soaked sponge, well wrung out, and then rinse with water.

OVEN WINDOW SEAL

If dirty, the seal can be cleaned with a slightly

damp sponge.

ACCESSORIES

Clean accessories with a wet, soapy sponge before rinsing and drying them: avoid using abrasive detergents.

DRIP PAN

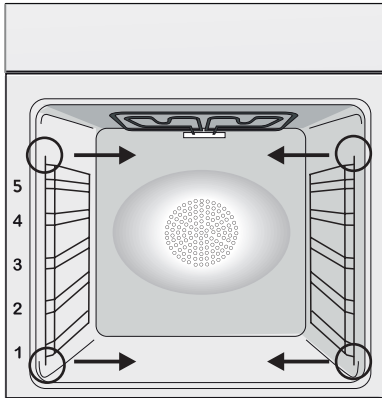
After using the grill, remove the pan from the oven. Pour the hot fat into a container and wash the pan in hot water, using a sponge and washing-up liquid.

If greasy residues remain, immerse the pan in water and detergent. Alternatively, you can wash the pan in the dishwasher or use a commercial oven detergent. Never put a dirty pan back into the oven.

Maintenance

REMOVAL AND CLEANING OF THE SIDE RACKS

1. Remove the wire racks by pulling them in the direction of the arrows (see below)
2. To clean the wire racks either put them in the dishwasher or use a wet sponge, ensuring that they are dried afterwards.
3. After the cleaning process install the wire racks in reverse order."



CHANGING THE BULB

1. Disconnect the oven from the mains supply.
2. Undo the glass cover, unscrew the bulb and replace it with a new bulb of the same type.
3. Once the defective bulb is replaced, replace the glass cover.

This product contains one or more light sources of energy efficiency class G (Lamp) /F (10 Led).

Waste management and environmental protection



This appliance is labelled in accordance with European Directive 2012/19/EU regarding electric and electronic appliances (WEEE). The WEEE contain both polluting substances (that can have a negative effect on the environment) and base elements (that can be reused). It is important that the WEEE undergo specific treatments to correctly remove and dispose of the pollutants and recover all the materials. Individuals can play an important role in ensuring that the WEEE do not become an environmental problem; it is essential to follow a few basic rules:

- the WEEE should not be treated as domestic waste;
- the WEEE should be taken to dedicated collection areas managed by the town council or a registered company.

In many countries, domestic collections may be available for large WEEEs. When you buy a new appliance, the old one can be returned to the vendor who must accept it free of charge as a one-off, as long as the appliance is of an equivalent type and has the same functions as the purchased appliance.

SAVING AND RESPECTING THE ENVIRONMENT

Where possible, avoid pre-heating the oven and always try to fill it. Open the oven door as infrequently as possible, because heat from the cavity disperses every time it is opened. For a significant energy saving, switch off the oven between 5 and 10 minutes before the planned end of the cooking time, and use the residual heat that the oven continues to generate. Keep the seals clean and in order, to avoid any heat dispersal outside of the cavity. If you have an electric contract with an hourly tariff, the "delayed cooking" programme makes energy saving more simple, moving the cooking process to start at the reduced tariff time slot.

PACKAGING RECOVERY (only for Cyprus)



Troubleshooting

Problem	Possible cause	Solution
the oven does not heat up	The clock is not set	Set the clock
The oven does not heat up	A cooking function and temperature has not been set	Ensure that the necessary settings are correct
No reaction of the touch user interface	Steam and condensation on the user interface panel	Clean with a microfiber cloth the user interface panel to remove the condensation layer

Sommaire

- 15** Conseils De Sécurité
- 19** Instructions Générales
- 21** Description du produit
- 22** Description de l'affichage
- 23** Mode de cuisson
- 24** Nettoyage du four et maintenance
- 24** Entretien
- 25** Dépannage
- 99** Installation

Conseils De Sécurité

- Pendant la cuisson, de l'humidité peut se condenser à l'intérieur de la cavité ou sur la vitre de la porte. Il s'agit d'un phénomène normal. Pour réduire cet effet, attendez 10-15 minutes après avoir allumé l'appareil avant de mettre les aliments au four. La condensation disparaîtra de toutes façons dès que le four aura atteint la température de cuisson.
- Cuisez les légumes dans un récipient avec couvercle plutôt que dans un ustensile ouvert.
- Évitez de laisser des aliments à l'intérieur du four plus de 15-20 minutes après cuisson.
- AVERTISSEMENT : L'appareil et ses parties accessibles chauffent pendant l'utilisation. Faites attention à ne pas toucher les parties chaudes.
- AVERTISSEMENT : les parties accessibles peuvent devenir chaudes lorsque le four est utilisé. Les enfants doivent rester à une distance de sécurité.
- Débrancher l'appareil du secteur avant d'effectuer tout travail ou opération d'entretien.
- AVERTISSEMENT : Afin d'éviter tout risque lié à la réinitialisation accidentelle de l'interrupteur thermique, l'appareil ne doit pas être alimenté par un dispositif de commutation externe, tel qu'une minuterie, ou relié à un circuit régulièrement allumé et éteint.
- Les enfants de moins de 8 ans doivent rester à une distance de sécurité de l'appareil s'ils ne sont pas surveillés en permanence.
- Les enfants ne doivent pas jouer avec l'appareil. L'appareil peut être utilisé par des enfants de plus de 8 ans et par des personnes dont les capacités physiques, sensorielles ou mentales sont limitées, sans expérience ni connaissance du produit, uniquement s'ils sont surveillés ou s'ils ont été informés de la manière d'utiliser l'appareil, en toute sécurité et qu'ils comprennent les risques possibles.

- Le nettoyage et l'entretien ne doivent pas être effectués par des enfants sans surveillance.
- N'utilisez pas de matériaux rugueux ou abrasifs ou de racloirs métalliques acérés pour nettoyer les vitres des portes des fours, car cela pourrait rayer la surface et provoquer la rupture de la vitre.
- Coupez le four avant de retirer les pièces amovibles.
- Après le nettoyage, remontez-les selon les instructions.
- Utilisez uniquement la sonde à viande recommandée pour ce four.
- Ne pas utiliser de nettoyeur vapeur ou de vaporisateur à haute pression pour les opérations de nettoyage.

• SI LE FOUR EST FOURNI PAR LE FABRICANT SANS BOUCHON:

L'APPAREIL NE DOIT PAS ÊTRE CONNECTÉ À LA SOURCE D'ALIMENTATION À L'AIDE DE FICHES OU DE PRISES, MAIS DOIT ÊTRE DIRECTEMENT CONNECTÉ AU SECTEUR. Le raccordement à la source d'alimentation doit être effectué par un professionnel dûment qualifié. Afin d'avoir une installation conforme à la législation de sécurité en vigueur, le four doit être connecté en ne plaçant qu'un disjoncteur omnipolaire, avec séparation des contacts conforme aux exigences de la catégorie de surtension III, entre l'appareil et la source d'énergie. Le disjoncteur omnipolaire doit supporter la charge maximale connectée et doit être conforme à la législation en vigueur. Le conducteur jaune et vert de mise à la terre ne doit pas être bloqué par le disjoncteur. Le disjoncteur omnipolaire utilisé pour la connexion doit être facilement accessible lorsque l'appareil est installé.

Le raccordement à la source d'alimentation doit être effectué par un professionnel qualifié en tenant compte de la polarité du four et de la source d'alimentation.

La déconnexion doit être réalisée en incorporant un interrupteur dans le câblage fixe conformément aux règles de câblage

- SI LE FOUR EST FOURNI PAR LE FABRICANT AVEC FICHE: La prise doit être adaptée à la charge indiquée sur l'étiquette et doit avoir un contact de terre connecté et en fonctionnement. Le conducteur de mise à la terre est jaune et vert. Cette opération doit être effectuée par un professionnel qualifié. En cas d'incompatibilité entre la prise et la fiche de l'appareil, demandez à un électricien qualifié de remplacer la prise par un autre type approprié. La fiche du câble d'alimentation et la prise d'alimentation doivent être conformes aux normes en vigueur dans le pays d'installation. La connexion à la source d'énergie peut également être réalisée en plaçant un disjoncteur omnipolaire, avec séparation des contacts conforme aux exigences de la catégorie de surtension III, entre l'appareil et la source d'énergie pouvant supporter la charge maximale connectée et conforme à la législation en vigueur. Le conducteur jaune et vert de mise à la terre ne doit pas être bloqué par le disjoncteur. La prise d'alimentation ou le disjoncteur multipolaire utilisé pour le branchement doit rester à tout moment accessible après installation de l'appareil. Le débranchement doit se faire en accédant à la prise d'alimentation ou en prévoyant un interrupteur sur le circuit électrique fixe, conforme aux normes électriques.
- Si le câble d'alimentation est endommagé, il doit être remplacé par un câble ou un faisceau de câbles spécial disponible auprès du fabricant ou du service après-vente.
- Le câble d'alimentation requis est le H05V2V2-F.
- Cette opération doit être exécutée par le personnel qualifié. Le conducteur de mise à la terre (jaune et vert) doit être environ 10 mm plus long que les autres conducteurs. Pour toutes réparations, contactez le service après-vente en insistant sur l'utilisation de pièces de rechange d'origine.
- Le non-respect des consignes ci-dessus peut compromettre la sécurité de l'appareil et annuler la garantie.
- Éliminez les éclaboussures importantes avant de procéder au nettoyage.

- Une coupure de courant prolongée durant une phase de cuisson peut engendrer un dysfonctionnement de l'écran. Dans ce cas, veuillez contacter le service après-vente.
- L'appareil ne doit pas être installé derrière une porte décorative, pour éviter la surchauffe.
- Lors de l'insertion de la grille, faites attention à ce que le bord antidérapant soit positionné vers l'arrière et vers le haut.
- Pour introduire la grille dans le four, vérifiez que le butoir est dirigé vers le haut et au fond de la cavité. La grille doit être complètement insérée dans la cavité.
- **AVERTISSEMENT** : Ne recouvrez pas les parois du four avec du papier aluminium ou une protection jetable disponible dans les magasins. Le papier d'aluminium ou toute autre protection, en contact direct avec l'émail chaud, risque de fondre et de détériorer l'émail de la cavité intérieure.
- **AVERTISSEMENT** : N'enlevez jamais le joint de la porte du four.
- **PRUDENCE** : Ne remplissez pas le fond de la cavité avec de l'eau pendant la cuisson ou lorsque le four est chaud.
- Aucune autre opération ni aucun autre réglage ne sont requis pour faire fonctionner l'appareil aux fréquences nominales.
- Le four peut être placé en hauteur dans une colonne ou sous un plan de travail. Avant de le fixer, vous devez garantir une bonne ventilation dans l'espace du four pour permettre une circulation correcte de l'air frais requis pour refroidir et protéger les parties situées à l'intérieur. Réalisez les ouvertures spécifiées à la dernière page en fonction du type de fixation.
- Pour une utilisation correcte du four, il est recommandé de ne pas mettre les aliments en contact direct avec les grilles et les plateaux, mais d'utiliser des papiers de cuisson et/ou des récipients spéciaux.

Instructions Générales

Nous vous remercions d'avoir choisi un de nos produits. Pour obtenir les meilleurs résultats avec votre four, vous devez lire attentivement ce manuel et le conserver pour toute consultation ultérieure. Avant d'installer le four, notez le numéro de série, il vous sera demandé par le support technique si des réparations sont nécessaires. Après avoir enlevé le four de son emballage, vérifiez qu'il n'a pas été endommagé pendant le transport. Si vous avez des doutes, ne pas utiliser le four et se référer à un technicien qualifié pour obtenir des conseils. Conservez tous les matériaux d'emballage (sacs en plastique, polystyrène, clous) hors de la portée des enfants. Lors de la première utilisation du four, il peut se produire un dégagement de fumée âcre provoqué par le premier échauffement de la colle des panneaux d'isolation enveloppant le four. Ce phénomène est normal. Attendez que la fumée cesse avant de cuire des aliments. Le fabricant décline toute responsabilité dans les cas où les instructions contenues dans le présent document ne sont pas respectées.

REMARQUE: les fonctions du four, les propriétés et les accessoires cités dans ce manuel peuvent varier selon les modèles.

Indications de sécurité

Utilisez uniquement le four à sa destination, qui est seulement pour la cuisson des aliments; toute autre utilisation, par exemple comme une source de chaleur, est considérée comme inappropriée et donc dangereuse. Le fabricant ne peut être tenu responsable de tout dommage lié à une mauvaise utilisation ou à des modifications techniques du produit.

L'utilisation de tout appareil électrique implique le respect de certaines règles fondamentales:

- Ne tirez pas sur le câble d'alimentation pour déconnecter le produit de la source d'alimentation
- Ne pas toucher l'appareil avec les mains ou les pieds mouillés ou humides;
- En général l'utilisation d'adaptateurs, de prises multiples et de rallonges est déconseillée;
- En cas de dysfonctionnement et / ou de mauvais fonctionnement, éteindre l'appareil et ne pas y toucher.

Sécurité électrique

LE BRANCHEMENT ELECTRIQUE DOIT ÊTRE REALISE PAR UN INSTALLATEUR AGREE OU UN TECHNICIEN DE QUALIFICATION SIMILAIRE.

L'alimentation électrique à laquelle le four est connecté doit être conforme aux lois en vigueur dans le pays d'installation. Le fabricant décline toute responsabilité pour tout dommage causé par le non respect de ces instructions. Le four doit être raccordé à l'alimentation électrique avec une prise murale reliée à la terre ou par l'intermédiaire d'un dispositif à coupure omnipolaire, selon les lois en vigueur dans le pays d'installation. L'alimentation électrique doit être protégée par des fusibles appropriés et les câbles utilisés doivent avoir une section transversale qui peut assurer une alimentation normale du four.

CONNEXION

Le four est livré avec un câble d'alimentation permettant le raccordement sous une tension électrique de 220-240 V entre les phases ou entre phase et neutre. Le raccordement devra être effectué après avoir vérifié:

- La tension d'alimentation indiquée sur le compteur;
- Le réglage du disjoncteur.

Le fil de protection du cordon (vert/jaune) relié à la Borne Terre de l'appareil doit être relié à la Borne Terre de l'installation.

ATTENTION

Faire vérifier la continuité de la terre de l'installation avant de procéder au raccordement. Le fabricant décline toute responsabilité en cas d'accidents ou d'autres problèmes qui pourraient survenir à l'usage d'un appareil non relié à la terre, ou relié à une terre dont la continuité serait défectueuse.

REMARQUE: Le four peut nécessiter une opération de S.A.V. Aussi, placez la prise de courant de façon à pouvoir brancher le four une fois sorti de sa niche. Câble d'alimentation: si le changement du câble d'alimentation s'avère nécessaire, nous vous demandons de faire réaliser cette opération par le service après-vente ou une personne de qualification similaire.

Recommandations

Après chaque utilisation du four, réaliser un petit entretien qui favorisera le nettoyage parfait du four. Ne pas tapisser les parois du four avec des feuilles en aluminium ou des protections jetables du commerce. La feuille d'aluminium ou toute autre protection, en contact direct avec l'émail chauffé, risque de fondre et de détériorer l'émail du moufle. Avant installation de l'appareil, il faut relever le numéro de série et le noter ci-dessous en cas d'éventuelle demande d'intervention.

Afin d'éviter les salissures excessives de votre four ainsi que les fortes odeurs de fumée pouvant en résulter, nous recommandons de ne pas utiliser le four à trop forte température. Il est préférable de

rallonger le temps de cuisson et de baisser la température. Nous vous conseillons de n'utiliser que des plats, des moules à pâtisserie résistants à de très hautes températures.

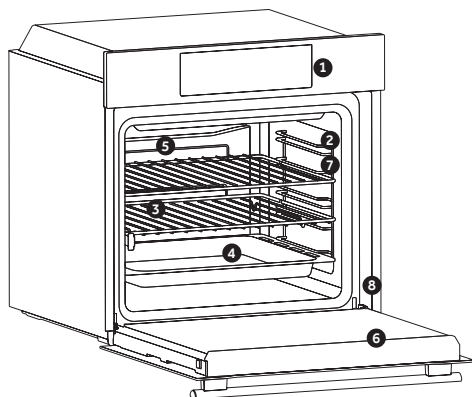
Installation

La mise en service de l'appareil est à la charge de l'acheteur, le constructeur est dégagé de ce service. Les pannes liées à une mauvaise installation ne seront pas couvertes par la garantie. Une mauvaise installation peut provoquer des dommages aux personnes, aux animaux domestiques; dans ce cas la responsabilité du constructeur ne peut être engagée. L'installation du four doit être réalisée par un installateur agréé ou un technicien de qualification similaire.

Le four peut être placé en hauteur dans une colonne ou enchâssé sous un plan de travail. Avant sa fixation: il est indispensable d'assurer une bonne aération dans la niche d'encastrement afin de permettre la bonne circulation de

l'air frais nécessaire au refroidissement et à la protection des organes intérieurs. Pour cela, réaliser les ouvertures spécifiées selon le type d'encastrement (dernière page).

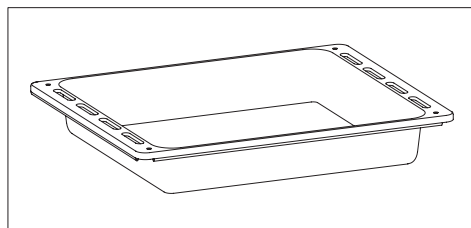
Description du produit



1. Panneau de commande
2. Positions de la grille (grille métallique latérale si celle-ci est incluse)
3. Grilles
4. Plateaux
5. Ventilateur (si présent)
6. Porte du four
7. Grilles latérales (si présent: uniquement pour cavité plate)
8. Numéro de série

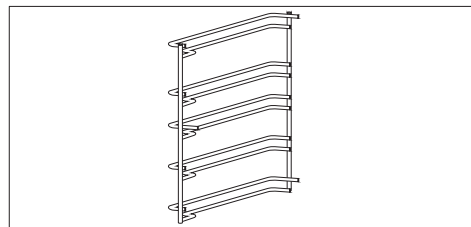
ACCESSOIRES

Bac de récupération de l'eau



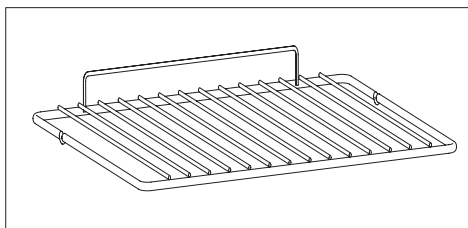
Collecte les résidus qui s'égouttent lors de la cuisson des aliments sur les grilles.

Grilles latérales (si présentes)



Situés des deux côtés de la cavité du four, les grilles métalliques et le lèche-frite.

Grille métallique

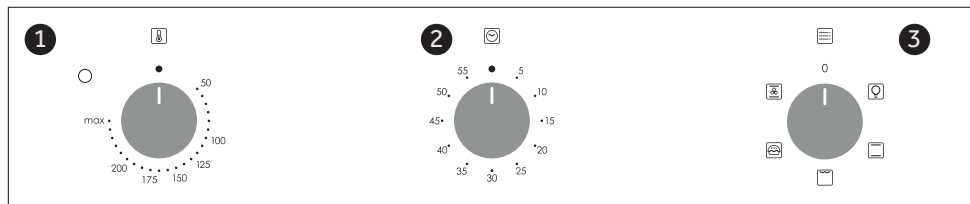


Maintient les plaques de cuisson et les plats.

Première Utilisation

UN PREMIER NETTOYAGE doit être réalisé avant la première utilisation passer un chiffon doux et humide sur les surfaces extérieures de l'appareil. Nettoyer avec une éponge additionnée de produit lessiviel, les accessoires et l'intérieur du four. Rincer et sécher. Faire chauffer le four à vide une bonne heure à la température maximale pour faire disparaître l'odeur du neuf. Pendant cette opération, bien aérer la pièce.

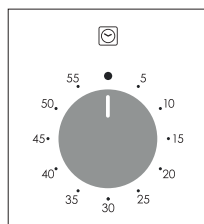
Description de l'affichage



1- Manette de température






2- Durée de cuisson

3- Manette des fonctions



Pour sélectionner le temps de cuisson tournez le bouton sur le temps désiré. Dès que le temps de cuisson est écoulé une sonnerie retentit. Il ne vous reste plus qu'à couper manuellement le four.

Mode de cuisson

Bouton de sélection	T °C par défaut	T °C inter-valle	Fonction
			L'ampoule: Allumage de l'éclairage du four
	220	50 ÷ MAX	* CONVECTION NATURELLE: utilisation simultanée de la résistance de sole et de voûte. Préchauffer le four une dizaine de minutes. Idéale pour toutes les cuissons à l'ancienne, pour saisir les viandes rouges, les rosbifs, gigots, gibiers, le pain, les papillotes, les feuilletages. Placer le mets à cuire à un niveau de gradin moyen.
	230	50 ÷ MAX	GRILL: l'utilisation du grilloir se fait porte fermée. Un préchauffage de 5 mins est nécessaire pour le rougissement de la résistance. Succès assuré pour les grillades, les brochettes et les gratins. Les viandes blanches doivent être écartées du grilloir ; le temps de cuisson sera alors plus long, mais la viande sera plus savoureuse. Les viandes rouges et filets de poissons peuvent être placés sur la grille avec le plat récolte sauce glissé dessous.
	190	50 ÷ MAX	* COOK LIGHT: cette fonction permet une cuisson plus saine en réduisant la quantité de graisses ou d'huile nécessaire. La combinaison d'éléments chauffants et d'un cycle à pulsation d'air garantit des résultats de cuisson parfaits.
	180	50 ÷ MAX	CHALEUR PULSÉE: fonction recommandée pour les volailles, les pâtisseries, les poissons, les légumes... La chaleur pénètre mieux à l'intérieur du mets à cuire et réduit le temps de cuisson, ainsi que le temps de préchauffage. Vous pouvez réaliser des cuissons combinées avec préparations identiques ou non sur un ou deux gradins. Ce mode de cuisson assure en effet une répartition homogène de la chaleur et ne mélange pas les odeurs. Prévoir une dizaine de minutes de plus, pour la cuisson combinée.

* Testé conformément à la norme EN 60350-1 pour les besoins de la déclaration de la consommation d'énergie et de la classe énergétique

Nettoyage du four et maintenance

Le cycle de vie de l'appareil peut être étendu grâce à un nettoyage régulier. Attendez le refroidissement du four avant de procéder à des opérations de nettoyage manuel. Ne jamais utiliser de détergents abrasifs, de laine d'acier ou d'objets pointus pour le nettoyage, l'émail serait irrémédiablement abîmé. Utilisez uniquement de l'eau, du savon ou des détergents à base d'eau de Javel (ammoniac).

PARTIE VITRÉE

Il est conseillé de nettoyer la vitre avec du papier absorbant après chaque utilisation du four. Pour enlever les taches plus tenaces, vous pouvez utiliser une éponge imbibée de détergent, puis rincer à l'eau.

JOINT DE LA PORTE

Si elle est sale, le joint peut être nettoyé avec

une éponge légèrement humide.

ACCESSOIRES

Nettoyer les accessoires avec une éponge et de l'eau savonneuse puis rincer. Éviter d'utiliser des détergents abrasifs.

LECHEFRITE

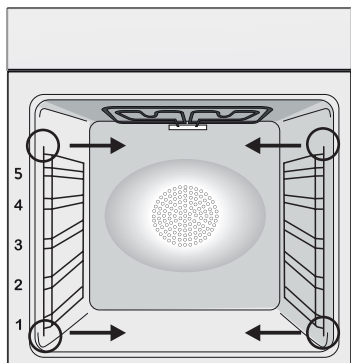
Après l'utilisation de la grille, retirez le lèche-frite du four. Prendre soin de reverser les graisses (tièdes) dans l'évier. Laver et rincer le plat récolte-sauce dans de l'eau chaude, avec une éponge imbibée de produit lessiviel. Si les résidus restent collés, le faire tremper dans de l'eau et un produit détergent. Il peut aussi être nettoyé dans un lave-vaisselle ou avec un produit du commerce.

Ne jamais replacer le plat récolte-sauce encrassé dans un four.

Entretien

RETRAIT ET NETTOYAGE DES GRILLES LATÉRALES

- 1- Retirez les grilles en les tirant dans le sens des flèches (voir ci-dessous).
- 2- Pour nettoyer les grilles, passez-les en lave-vaisselle ou utilisez une éponge humide en veillant à bien les sécher ensuite.
- 3- Quand les grilles sont nettoyées, remettez-les en place en suivant les instructions dans l'ordre inverse."



REPLACEMENT DE L'AMPOULE

1. Débranchez le four de la prise.
2. Défaire le couvercle en verre, dévisser l'ampoule et la remplacer par une ampoule du même modèle.
3. Une fois l'ampoule remplacée, remettre le couvercle en verre.

Ce produit contient une ou plusieurs sources lumineuses de classe d'efficacité énergétique G (Lampe)/F(10 Led).

La gestion des déchets et la protection de l'environnement



Le présent appareil est marqué conformément à la directive 2012/19/UE relative aux déchets d'équipements électriques et électroniques

(DEEE). Les DEEE contiennent à la fois des substances polluantes

(qui peuvent avoir des conséquences négatives sur l'environnement) et des éléments de base (réutilisables). Il est important de soumettre les DEEE à des traitements spécifiques, en vue d'extraire et d'éliminer de façon appropriée toutes les substances polluantes, puis de récupérer et recycler tous les matériaux.

Chacun peut jouer un rôle important quant à la protection de l'environnement contre les DEEE. Pour atteindre cet objectif, il est impératif de suivre quelques règles élémentaires :

- Les DEEE ne doivent pas être traités comme des déchets ménagers.
- Ils doivent être remis aux points de collecte appropriés gérés par la municipalité ou par des sociétés immatriculées. Dans plusieurs pays, il est possible de collecter à domicile les DEEE volumineux.

- Lorsque vous achetez un nouvel appareil, vous devez retourner l'ancien au vendeur qui le récupère gratuitement, au cas par cas, à condition que l'équipement soit de type équivalent et possède les mêmes fonctions que celui fourni.

ÉCONOMIE ET RESPECT DE L'ENVIRONNEMENT

Lorsque cela est possible, éviter le préchauffage du four et éviter de le faire tourner à vide. N'ouvrez la porte du four que lorsque cela est nécessaire, car il y a des déperditions de chaleur à chaque fois qu'il est ouvert. Pour une économie d'énergie significative, éteindre le four entre 5 et 10 minutes avant la fin de cuisson prévue, et utiliser la chaleur que le four continue de générer. Gardez les joints propres et en bon état, pour éviter toute déperdition d'énergie. Si vous avez un contrat électrique avec un tarif heure creuse, le programme "cuisson différée" peut vous faire réaliser des économies d'énergie en déplaçant le début du programme à un intervalle de temps à tarif réduit.



Dépannage

Problèmes	Cause possible	Solution
Le four ne chauffe pas	L'horloge n'est pas réglée	Réglez l'horloge
Le four ne chauffe pas	La sécurité enfant est activée	Désactiver la sécurité enfant
Le four ne chauffe pas	Les réglages nécessaires ne sont pas imposés	Assurez-vous que les paramètres nécessaires sont corrects

Sommario

27	Indicazioni di Sicurezza
31	Avvertenze Generali
33	Descrizione del Prodotto
34	Descrizione del display
35	Modalità di cottura
36	Pulizia e manutenzione del forno
36	Manutenzione
37	Risoluzione dei Problemi
37	Garanzie
99	Installation

Indicazioni di Sicurezza

- Durante la cottura, l'umidità può condensarsi all'interno del vano cottura o sul vetro della porta. Questa è una condizione normale. Per ridurre questo effetto, attendere 10-15 minuti dopo l'accensione prima di mettere gli alimenti all'interno del forno. In ogni caso, la condensa scompare quando il forno raggiunge la temperatura di cottura.
- Cuocere le verdure in un contenitore con coperchio invece che in un vassoio aperto.
- Evitare di lasciare gli alimenti all'interno del forno dopo la cottura per più di 15/20 minuti.
- **AVVERTENZA:** l'elettrodomestico e le sue parti accessibili diventano calde durante l'uso. Fare attenzione a non entrare in contatto con componenti surriscaldati.
- **AVVERTENZA:** i componenti accessibili diventano caldi quando si utilizza il forno. Tenere i bambini a distanza di sicurezza.
- **AVVERTENZA:** Scollegare l'elettrodomestico dalla rete elettrica prima di effettuare operazioni di manutenzione o altre attività simili.
- **AVVERTENZA:** per evitare rischi causati da un involontario ripristino dell'interruttore automatico, l'elettrodomestico non deve essere alimentato da un dispositivo di commutazione esterno, quale ad esempio un contaminuti, oppure essere collegato ad un circuito che viene regolarmente acceso e spento.
- Mantenere lontano dall'elettrodomestico i bambini di età inferiore agli 8 anni, a meno che non siano continuamente supervisionati.
- I bambini non devono giocare con l'elettrodomestico. L'elettrodomestico può essere utilizzato da bambini di età superiore a 8 anni e da persone con ridotte capacità fisiche, sensoriali o mentali, oppure prive di esperienza e conoscenza, che siano state supervisionate o istruite riguardo all'uso dell'elettrodomestico

in sicurezza, comprendendo i rischi che derivano dall'uso dello stesso.

- Le operazioni di pulizia e manutenzione non devono essere effettuate dai bambini senza sorveglianza.
- Non utilizzare materiali ruvidi, abrasivi o raschietti metallici affilati per pulire le porte in vetro del forno, dato che possono graffiare la superficie e causare la frantumazione del vetro.
- Il forno deve essere spento prima di rimuovere le parti rimovibili.
- Dopo la pulizia, rimontarle secondo le istruzioni.
- Utilizzare solo la sonda carne consigliata per questo forno.
- Non utilizzare pulitori a vapore o spruzzatori ad alta pressione per le operazioni di pulizia.
- SE IL FORNO È FORNITO DAL PRODUTTORE SENZA SPINA: L'APPARECCHIO NON DEVE ESSERE COLLEGATO ALLA FONTE DI ALIMENTAZIONE TRAMITE SPINA O PRESE, MA DEVE ESSERE COLLEGATO DIRETTAMENTE ALLA RETE DI ALIMENTAZIONE. Il collegamento alla fonte di alimentazione deve essere effettuato da un professionista adeguatamente qualificato. Per avere un'installazione conforme alla normativa vigente in materia di sicurezza il forno deve essere collegato solo posizionando un interruttore omipolare, con separazione dei contatti conforme ai requisiti per la categoria di sovratensione III, tra l'apparecchio e la fonte di alimentazione. L'interruttore omipolare deve sopportare il carico massimo collegato e deve essere in linea con la normativa vigente. Il cavo di terra giallo-verde non deve essere interrotto dall'interruttore automatico. L'interruttore omipolare utilizzato per il collegamento deve essere facilmente accessibile quando l'apparecchio è installato. Il collegamento alla fonte di alimentazione deve essere effettuato da un professionista adeguatamente qualificato considerando la polarità del forno e della fonte di alimentazione. La disconnessione deve essere realizzata incorporando un interruttore nel cablaggio fisso secondo le regole di cablaggio
- SE IL FORNO È FORNITO DAL PRODUTTORE CON SPINA:

La presa deve essere adatta al carico indicato sulla targhetta e deve avere il contatto di terra collegato e in funzione. Il conduttore di terra è giallo-verde. Questa operazione deve essere eseguita da un professionista adeguatamente qualificato. In caso di incompatibilità tra la presa e la spina dell'apparecchio, chiedere a un elettricista qualificato di sostituire la presa con un altro tipo adatto. La spina e la presa devono essere conformi alle normative attuali del paese di installazione. Il collegamento alla fonte di alimentazione può essere effettuato anche posizionando un interruttore omnipolare, con separazione dei contatti conforme ai requisiti per la categoria di sovratensione III, tra l'apparecchio e la fonte di alimentazione che può sopportare il carico massimo collegato e che è in linea con la legislazione vigente. Il cavo di terra giallo-verde non deve essere interrotto dall'interruttore automatico. La presa o l'interruttore automatico omnipolare utilizzati per il collegamento devono essere facilmente accessibili al momento del montaggio dell'elettrodomestico. La disconnessione può essere eseguita con la spina accessibile o aggiungendo un interruttore sul cablaggio fisso, nel rispetto delle normative relative ai cablaggi.

- Se il cavo di alimentazione si danneggia, deve essere sostituito con un cavo o uno speciale fascio di cavi disponibile presso il produttore o contattando il reparto assistenza al cliente.
- Il cavo di alimentazione deve essere di tipo H05V2V2-F.
- Questa operazione deve essere eseguita solo da un tecnico adeguatamente addestrato. Il conduttore di terra (giallo-verde) deve essere circa 10 mm più lungo degli altri conduttori. Per qualsiasi tipo di riparazione, fare riferimento unicamente al Reparto di Assistenza Cliente e richiedere l'utilizzo di ricambi originali.
- Il mancato rispetto di quanto indicato sopra può compromettere la sicurezza dell'elettrodomestico e rendere nulla la garanzia.
- Qualsiasi materiale fuoriuscito in eccesso deve essere tolto pri-

ma della pulizia.

- L'interruzione prolungata dell'alimentazione durante una fase di cottura potrebbe causare un guasto del monitor. In tal caso contattare il servizio clienti.
- L'elettrodomestico non deve essere installato dietro a una porta a scopo ornamentale per evitarne il surriscaldamento.
- Quando si posiziona uno scaffale all'interno, accertarsi che il blocco sia rivolto verso l'alto e nella parte posteriore della guida. Lo scaffale deve essere inserito completamente nella guida
- Quando si inserisce il vassoio della griglia, accertarsi che il bordo antiscivolo sia orientato verso il fondo e verso l'alto.
- **AVVERTENZA:** Non rivestire le pareti del forno con fogli di alluminio o protezioni monouso disponibili nei negozi. I fogli di alluminio o qualsiasi altra protezione, a diretto contatto con lo smalto caldo, rischiano di fondere e deteriorare lo smalto degli interni.
- **AVVERTENZA:** Non togliere mai la guarnizione della porta del forno.
- **ATTENZIONE:** Non riempire il fondo della cavità con acqua durante la cottura o quando il forno è caldo.
- Per far funzionare l'apparecchio alle frequenze nominali non sono necessarie ulteriori operazioni o regolazioni.
- Il forno può essere collocato in alto, in colonna, o sotto un piano di lavoro. Prima di fissare il forno, accertarsi che la ventilazione sia sufficiente per consentire la corretta circolazione dell'aria fresca necessaria per il raffreddamento e la salvaguardia dei componenti interni. In base al tipo di sistemazione, praticare le aperture specificate sull'ultima pagina.
- Per un corretto utilizzo del forno, evitare di collocare alimenti a contatto diretto con le griglie e i vassoi; utilizzare carta da forno e/o contenitori speciali.

Avvertenze Generali

Vi ringraziamo per aver scelto uno dei nostri prodotti. Per utilizzare il forno in modo ottimale è consigliabile leggere con attenzione questo manuale e conservarlo con cura per ogni ulteriore consultazione. Prima di installare il forno, prendere nota del numero di serie in modo da poterlo comunicare al personale del servizio di assistenza in caso di richiesta di intervento. Dopo aver rimosso il forno dall'imballaggio, verificare che non abbia subito danni durante il trasporto. In caso di dubbi, non utilizzare il forno e richiedere l'assistenza di un tecnico qualificato. Tenere tutto il materiale da imballaggio (sacchetti di plastica, polistirolo, chiodi) fuori dalla portata dei bambini. Alla prima accensione del forno può svilupparsi fumo di odore acre, causato dal primo riscaldamento del collante dei pannelli d'isolamento avvolgenti il forno: si tratta di un fenomeno assolutamente normale e, in caso si verificasse, occorre attendere la cessazione del fumo prima di introdurre le vivande. Il produttore declina ogni responsabilità in caso di mancata osservanza delle istruzioni contenute in questo documento.

NOTA: le funzioni, le proprietà e gli accessori dei forni citati in questo manuale possono variare a seconda dei modelli.

Suggerimenti sulla Sicurezza

Utilizzare il forno solo per lo scopo per cui è stato progettato, ossia solo per la cottura di alimenti; qualsiasi altro utilizzo, ad esempio come fonte di riscaldamento, è considerato improprio e quindi pericoloso. Il costruttore non può essere considerato responsabile per eventuali danni derivanti da usi impropri, erronei ed irragionevoli.

L'uso di un qualsiasi apparecchio elettrico comporta l'osservanza di alcune regole fondamentali:

- non tirare il cavo di alimentazione per staccare la spina della presa di corrente;
- non toccare l'apparecchio con mani o piedi bagnati o umidi;
- in generale è sconsigliabile l'uso di adattatori, prese multiple e prolunghe;
- in caso di guasto e/o cattivo funzionamento dell'apparecchio, spegnerlo e non manometterlo.

Sicurezza Elettrica

FARE EFFETTUARE I COLLEGAMENTI ELETTRICI AD UN'ELETTRICISTA O TECNICO QUALIFICATO.

La rete di alimentazione a cui viene collegato il forno deve essere conforme con le normative in vigore nel paese di installazione. Il produttore declina ogni responsabilità per eventuali danni derivanti dalla mancata osservanza di tali disposizioni. Il forno deve essere collegato alla rete elettrica tramite una presa a muro con messa a terra o tramite un sezionatore con più poli, a seconda delle disposizioni in vigore nel paese di installazione. La rete elettrica deve essere protetta mediante fusibili idonei e devono essere utilizzati cavi con una sezione trasversale idonea a garantire una corretta alimentazione del forno.

COLLEGAMENTO

Il forno viene fornito con un cavo di alimentazione che deve essere collegato solo a una rete elettrica con una tensione di 220-240 VCA tra le fasi o tra la fase e il neutro. Prima di collegare il forno alla rete elettrica, è indispensabile controllare:

- la tensione di alimentazione indicata sul misuratore;
- l'impostazione del sezionatore.

Il filo di messa a terra collegato al morsetto di terra del forno deve essere collegato al morsetto di terra della rete elettrica.

ATTENZIONE

Prima di collegare il forno alla rete elettrica, far controllare la continuità della messa a terra della rete elettrica ad un elettricista qualificato. Il produttore declina ogni responsabilità per eventuali incidenti o altri problemi derivanti dal mancato collegamento a terra del forno o dal suo collegamento ad una messa a terra con una continuità difettosa.

NOTA: poiché il forno potrebbe richiedere interventi di assistenza, è consigliabile prevedere la disponibilità di un'ulteriore presa a muro a cui collegare il forno dopo che è stato rimosso dallo spazio in cui è stato installato. Il cavo di alimentazione deve essere sostituito solo dal personale dell'assistenza tecnica o da tecnici con qualifiche analoghe.

Raccomandazioni

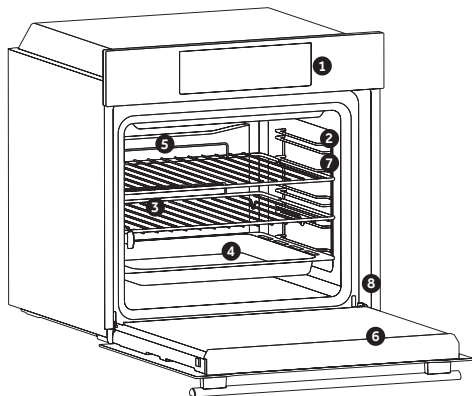
Dopo l'uso sono sufficienti alcune semplici operazioni di pulizia per mantenere il forno perfettamente pulito. Non rivestire le pareti del forno con fogli d'alluminio da cucina o fogli monouso commerciali, perché potrebbero fondersi a contatto con le superfici in smalto caldo e danneggiare le superfici in smalto all'interno del forno. Per evitare di sporcare eccessivamente il forno e prevenire la diffusione di fumo maleodorante, è consigliabile non utilizzare il forno a temperature molto alte. E' generalmente preferibile impostare un tempo di cottura più lungo e utilizzare una temperatura più bassa. Oltre agli accessori forniti con il forno, è consigliabile utilizzare piatti e teglie resistenti alle alte temperature.

Installazione

Il produttore non è obbligato ad occuparsi dell'installazione. Gli eventuali interventi di assistenza, necessari per correggere problemi dovuti ad un'errata installazione, non sono coperti da garanzia. L'installazione deve essere effettuata da un tecnico qualificato e in conformità con queste istruzioni. Un'installazione impropria potrebbe causare infortuni alle persone, agli animali domestici o danni alle attrezzature. Il produttore declina ogni responsabilità per eventuali lesioni o danni dovuti ad un'errata installazione.

Il forno può essere installato sopra una colonna o sotto a un piano di lavoro. Prima di fissare in posizione il forno, verificare che lo spazio attorno allo stesso sia sufficiente a garantire la circolazione del flusso di aria fresco necessario a garantire il raffreddamento del forno e la sicurezza dei componenti interni. Realizzare le aperture indicate nell'ultima pagina del manuale, a seconda del tipo di installazione.

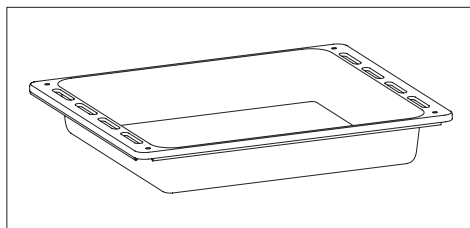
Descrizione del Prodotto



1. Pannello di controllo
 2. Posizioni dei ripiani (griglia metallica laterale se inclusa)
 3. Griglia
 4. Vassoio
 5. Ventola (se presente)
 6. Sportello del forno
 7. Griglie metalliche laterali (se presenti: solo per cavità piane)
- 8. Numero di serie**

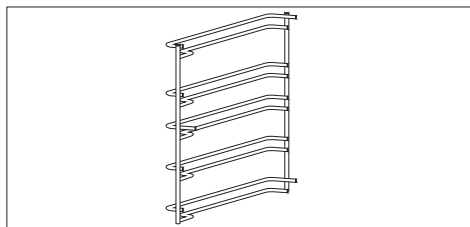
ACCESSORI

Vassoio di gocciolamento



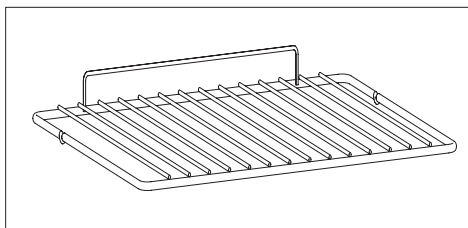
Raccoglie i residui del gocciolamento durante la cottura degli alimenti sulle griglie.

Griglie metalliche laterali (solo se presenti)



Collocate su entrambi i lati della cavità del forno, sostengono le griglie metalliche e i vassoi di gocciolamento.

Griglia metallica



Sostiene piastre e vassoi di cottura

NOTA: Per un corretto utilizzo del forno, si consiglia di non porre gli alimenti a diretto contatto con griglie e vassoi, ma di utilizzare carte forno e/o appositi contenitori.

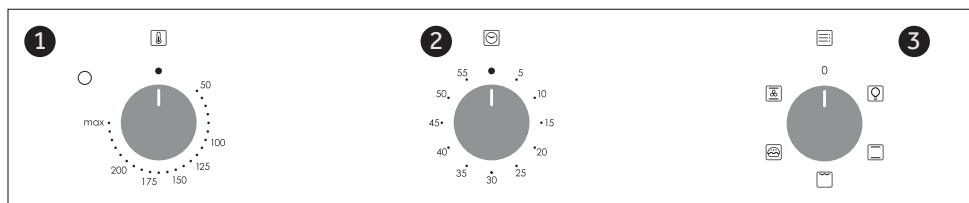
Primo utilizzo

PULIZIA PRELIMINARE

Pulire sempre il forno prima di utilizzarlo per la prima volta. Pulire le superfici esterne con un panno morbido leggermente inumidito.

Lavare tutti gli accessori e pulire l'interno del forno con del detergente per piatti ed acqua calda. Verificare che il forno sia vuoto, impostare la temperatura massima e lasciarlo acceso per almeno 1 ora, così da rimuovere tutti gli odori normalmente presenti nei forni nuovi.

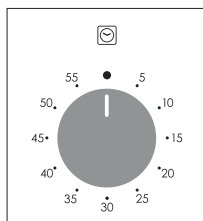
Descrizione del display



1. Manopola della temperatura






2. Tempo di cottura

3. Manopola delle funzioni



Per selezionare il tempo prescelto, ruotare la manopola di un giro completo, quindi ritornare con l'indice nella posizione corrispondente al tempo desiderato. Allo scadere del tempo, entrerà in azione la suoneria per alcuni secondi.

Modalità di cottura

Manopola commutatore	T° preimpostata	Intervallo di T°	Funzione
			LAMPADA: accende la luce interna.
	220	50 ÷ MAX	* STATICO: sono in funzione le resistenze superiore e inferiore. È la cottura tradizionale, ottima per arrostire cosciotti, selvaggina, ideale per biscotti, mele al forno e per rendere i cibi molto croccanti.
	230	50 ÷ MAX	GRILL: Grigliatura tradizionale a porta chiusa: con questa funzione viene inserita la resistenza del grill. Ottima nella cottura di carni di medio e piccolo spessore (salsicce, costine, bacon).
	190	50 ÷ MAX	* COOK LIGHT: Questa funzione permette di cucinare in modo più sano, riducendo la quantità di grassi o olio necessari. La combinazione di elementi riscaldanti con un ciclo pulsante d'aria garantisce un risultato di cottura perfetto.
	180	50 ÷ MAX	COTTURA MULTILIVELLO: l'aria calda viene ripartita sui diversi ripiani. E' ideale per cuocere contemporaneamente diversi tipi di cibo (carne, pesce), senza miscelare sapori e odori. Cottura delicata - indicata per pan di spagna, torte Margherita, pasta sfoglia, ecc...

*Testato in conformità con la norma EN 60350-1 relativa alla dichiarazione sui consumi energetici e la classe energetica

Pulizia e manutenzione del forno

La vita di servizio dell'apparecchio si allunga se questo viene pulito ad intervalli regolari. Attendere che il forno si raffreddi prima di effettuare le operazioni di pulizia manuali. Non utilizzare mai detergenti abrasivi, pagliette di ferro o oggetti appuntiti per la pulizia, per non danneggiare in modo irreparabile le parti smaltate. Utilizzare solo acqua, sapone o detergenti a base di candeggina (ammoniaca).

PARTI IN VETRO

E' consigliabile pulire lo sportello in vetro con carta assorbente da cucina dopo ogni utilizzo del forno. Per rimuovere le macchie più ostinate, è possibile anche utilizzare una spugna imbevuta di detergente ben strizzata e sciacquare con acqua.

GUARNIZIONE DELLO SPORTELLO DEL FORNO

Se sporca, la guarnizione può essere pulita con una spugna leggermente inumidita.

ACCESSORI

Pulire gli accessori con una spugna imbevuta con acqua e sapone, sciacquarli e asciugarli: evitare di usare detergenti abrasivi.

VASCHETTA DI GOCCIOLAMENTO

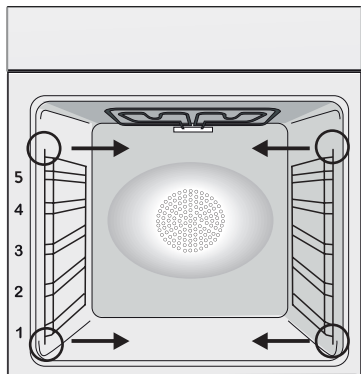
Dopo l'uso del grill, rimuovere la vaschetta dal forno. Versare il grasso caldo in un contenitore e lavare la vaschetta in acqua calda, utilizzando una spugna e del detergente per piatti.

Se rimangono dei residui di grasso, immergere la vaschetta in acqua e detergente. In alternativa, è possibile anche lavare la vaschetta nella lavastoviglie oppure utilizzare un detergente per forni di tipo commerciale. Non reinserire mai una vaschetta sporca nel forno.

Manutenzione

RIMOZIONE E PULIZIA DELLE SCAFFALATURE A FILO

- 1- Rimuovere le griglie a rete tirandole in direzione delle frecce (vedi sotto)
- 2- Per pulire le griglie a rete, metterle in lavastoviglie o utilizzare una spugna umida, assicurandosi che siano successivamente asciugate.
- 3- Dopo la pulizia, installarle in ordine inverso."



SOSTITUZIONE DELLA LAMPADINA

1. Scollegare il forno alla rete.
2. Allentare la copertura in vetro, svitare la lampadina e sostituirla con una nuova dello stesso modello.
3. Una volta sostituita la lampadina difettosa, riavvitare la copertura in vetro.

Questo prodotto contiene una o più sorgenti luminose con efficienza energetica di classe G (lampadina)/F (10 LED).

Gestione dei rifiuti e rispetto dell'ambiente



Questo apparecchio è contrassegnato in conformità alla Direttiva europea 2012/19/EU sulle apparecchiature elettriche ed elettroniche (WEEE). I WEEE contengono sia sostanze inquinanti (che possono provocare conseguenze negative

sull'ambiente) che componenti di base (che possono essere riutilizzati). È importante che i WEEE siano soggetti a trattamenti specifici per rimuovere e smaltire correttamente tutti gli inquinanti e recuperare tutti i materiali. I singoli possono giocare un ruolo importante nell'assicurare che i WEEE non diventino un problema ambientale; è essenziale seguire alcune regole di base:

- i WEEE non devono essere trattati come rifiuti domestici;
- i WEEE devono essere portati ai punti di raccolta appositi gestiti dal comune o da società registrate.

In molti paesi, per i WEEE di grandi dimensioni, potrebbe essere presente la raccolta domestica.

Quando si acquista un nuovo apparecchio, quello vecchio potrebbe essere restituito al rivenditore che deve acquisirlo gratuitamente su base singola, sempre che l'apparecchio sia del tipo equivalente e abbia le stesse funzioni di quello acquistato.

RISPARMIARE E RISPETTARE L'AMBIENTE

Ove possibile, evitare di pre-riscaldare il forno e cercare sempre di riempirlo. Aprire la porta del forno quanto necessario, perché vi sono dispersioni di calore ogni volta che viene aperta. Per risparmiare molta energia sarà sufficiente spegnere il forno dai 5 ai 10 minuti prima della fine del tempo di cottura pianificato, e servirsi del calore che il forno continua a generare. Tenere le guarnizioni pulite e in ordine, per evitare eventuali dispersioni di energia. Se si dispone di un contratto di energia elettrica a tariffa oraria, il programma "cottura ritardata" renderà più semplice il risparmio spostando l'avvio del programma negli orari a tariffa ridotta.

Risoluzione dei Problemi

PROBLEMA	POSSIBILE CAUSA	SOLUZIONE
Il forno non si scalda	L'orologio non è impostato	Impostare l'orologio
Il forno non si scalda	Il blocco bambini è attivo	Disattivare il blocco bambini
Il forno non si scalda	Le regolazioni necessarie non sono impostate	Assicurarsi che le impostazioni necessarie siano corrette

Garanzie

Il prodotto è garantito, oltre che ai sensi di legge, alle condizioni e nei termini riportati sul certificato di garanzia convenzionale inserito nel prodotto. Il certificato dovrà essere conservato e mostrato al nostro Centro di Assistenza Tecnica Autorizzato, in caso di necessità, insieme allo scontrino comprovante l'acquisto dell'elettrodomestico. Puoi consultare le condizioni di garanzia anche sul nostro sito internet. Per ottenere assistenza compila l'apposito form on-line oppure contattaci al numero che trovi indicato nella pagina di assistenza del nostro sito internet.

Índice

- 39** Indicaciones de seguridad
- 43** Advertencias Generales
- 45** Descripción del producto
- 46** Descripción general
- 47** Modalidades de cocción
- 48** Limpieza y mantenimiento del horno
- 48** Mantenimiento
- 49** Solución de problemas
- 99** Installation

Indicaciones de seguridad

- Durante la cocción, podría condensarse humedad dentro de la cavidad del horno o en el cristal de la puerta. Esto es normal. Para reducir este efecto, espere de 10 a 15 minutos antes de introducir alimentos en el horno una vez que lo encienda. De todos modos, la condensación desaparece cuando el horno alcanza la temperatura de cocción.
- Para cocinar verduras, póngalas en un recipiente con una tapa en lugar de utilizar una bandeja sin cubrir.
- Evite dejar los alimentos en el horno más de 15/20 minutos después de cocinarlos.
- ATENCIÓN: el electrodoméstico y todas sus piezas se calientan durante el uso. Tenga cuidado de no tocar las partes calientes.
- ADVERTENCIA: Las partes accesibles pueden calentarse cuando el horno está en uso. Los niños pequeños deben mantenerse a una distancia segura.
- ATENCIÓN: Desconecte el dispositivo de la red eléctrica antes de realizar cualquier operación o mantenimiento.
- ATENCIÓN: con el fin de evitar cualquier peligro debido a un restablecimiento accidental del dispositivo térmico de interrupción, este aparato no debe recibir alimentación mediante dispositivos de conmutación externos como temporizadores, ni conectarse a un circuito regularmente alimentado o interrumpido por el servicio.
- Los niños menores de 8 años deben mantenerse a una distancia segura del aparato si no son supervisados continuamente.
- Los niños no deben jugar con el electrodoméstico. Pueden utilizarlo niños a partir de 8 años de edad y personas con facultades físicas, sensoriales o mentales reducidas, o con falta de experiencia y conocimiento, si lo emplean bajo supervisión o se les instruye acerca de la seguridad del producto y entienden los riesgos que comporta.
- La limpieza y el mantenimiento no deben ser llevados a cabo

por niños sin supervisión.

- No utilice materiales rugosos o abrasivos ni rasquetas metálicas afiladas para limpiar las puertas de vidrio del horno, ya que pueden rayar la superficie y agrietar el vidrio.
- Apague el horno antes de sacar las partes extraíbles.
- Después de la limpieza, vuelva a montarlas siguiendo las instrucciones.
- Utilice únicamente la sonda térmica recomendada para este horno.
- No utilice un limpiador de vapor o un aerosol de alta presión para las operaciones de limpieza.
- Si el horno es suministrado por el fabricante sin enchufe:
EL ELECTRODOMÉSTICO NO DEBE CONECTARSE A LA FUENTE DE ALIMENTACIÓN MEDIANTE ENCHUFES O TOMAS DE CORRIENTE, SINO QUE DEBE CONECTARSE DIRECTAMENTE A LA RED ELÉCTRICA. La conexión a la fuente de alimentación debe llevarla a cabo un profesional cualificado. Con el fin de llevar a cabo una instalación conforme a la legislación de seguridad vigente, el horno debe conectarse únicamente colocando un interruptor de corte omnipolar entre el electrodoméstico y la fuente de alimentación, con una separación de contacto que cumpla con los requisitos de la categoría de sobretensión III. El interruptor omnipolar debe soportar la carga máxima conectada y debe ser conforme a la legislación vigente. El cable de tierra amarillo-verde no debe ser interrumpido por el interruptor. Cuando se instala el electrodoméstico, el interruptor omnipolar utilizado para la conexión debe ser fácilmente accesible. La conexión a la fuente de alimentación debe llevarla a cabo un profesional cualificado teniendo en cuenta la polaridad del horno y de la fuente de alimentación. La desconexión debe llevarse a cabo incorporando un interruptor en el cableado fijo de acuerdo con las normas de cableado.
- Si el horno es suministrado por el fabricante con enchufe: La toma de corriente debe ser adecuada para la carga indica-

da en la etiqueta y debe tener la conexión a tierra conectada y en funcionamiento. El conductor de tierra es de color amarillo-verde. Esta operación debe realizarla un profesional debidamente cualificado. En caso de incompatibilidad entre la toma de corriente y la clavija del electrodoméstico, solicite a un electricista cualificado que sustituya la toma de corriente por otra del tipo adecuado. La clavija y la toma de corriente deben cumplir con la normativa actual del país de instalación. La conexión a la fuente de alimentación también se puede realizar colocando un interruptor de corte omnipolar entre el electrodoméstico y la fuente de alimentación, con una separación de contacto que cumpla con los requisitos de la categoría de sobretensión III, que pueda soportar la carga máxima conectada y que cumpla la legislación vigente. El cable de tierra amarillo-verde no debe ser interrumpido por el interruptor. Cuando se instala el electrodoméstico, la toma de corriente o el interruptor omnipolar utilizado para la conexión deben ser fácilmente accesibles. La desconexión se puede lograr manteniendo la clavija accesible o incorporando un interruptor en el cableado fijo de acuerdo con las normas de cableado.

- Si el cable de alimentación está dañado, debe sustituirse por un cable o un haz de cables especial comercializado por el fabricante; también puede ponerse en contacto con el departamento de atención al cliente.
- El cable de alimentación debe ser de tipo H05V2V2-F.
- Esta operación debe realizarla un profesional debidamente cualificado. El conductor de toma de tierra (amarillo y verde), debe ser aproximadamente 10 mm más largo que los otros conductores. Para cualquier reparación, diríjase únicamente a un centro de asistencia técnica autorizado y solicite que se empleen recambios originales.
- El incumplimiento de las indicaciones anteriores puede poner en peligro la seguridad del electrodoméstico y anular la garantía.
- Los excesos de material deben retirarse antes de limpiar.

- Una interrupción prolongada de la corriente durante una fase de cocción puede causar una avería en el monitor. Póngase en contacto con el servicio de atención al cliente si esto ocurre.
- El electrodoméstico no debe instalarse detrás de una puerta decorativa para evitar que se caliente en exceso.
- Cuando coloque la bandeja interior, asegúrese de dirigir el tope hacia arriba en la parte trasera de la cavidad. La bandeja debe introducirse por completo en la cavidad
- Al insertar la bandeja de la rejilla, tenga en cuenta que el borde antideslizante está posicionado hacia atrás y hacia arriba.
- ATENCIÓN: No forre las paredes del horno con aluminio u otras protecciones comercializadas. El aluminio o los protectores podrían derretirse al entrar en contacto directo con el esmalte caliente y deteriorar el esmalte del interior.
- ATENCIÓN: No quite nunca la junta de estanqueidad de la puerta del horno.
- ATENCIÓN: No llene el fondo del horno con agua durante la cocción o cuando esté caliente.
- No es necesario llevar a cabo operaciones/configuraciones adicionales para que el electrodoméstico funcione a las frecuencias nominales.
- El horno se puede ubicar en la parte alta de una columna o debajo de una encimera. Antes de instalarlo, debe garantizar una buena ventilación en el espacio del horno para permitir la circulación adecuada del aire fresco requerido para enfriar y proteger las partes internas. Realice las aberturas especificadas en la última página según el tipo de instalación.
- Para un uso correcto del horno, se aconseja no poner los alimentos en contacto directo con los estantes y bandejas, sino utilizar papel para horno y/o recipientes especiales.

Advertencias Generales

Le agradecemos que haya elegido uno de nuestros productos. Para utilizar el horno de forma óptima es aconsejable leer con atención este manual y conservarlo para poder consultarlo en el futuro. Antes de instalar el horno, anote el número de serie para poder facilitárselo al personal del servicio de asistencia técnica en caso de solicitar su intervención. Después de extraer el horno del embalaje, compruebe que no haya sufrido daño alguno durante el transporte. En caso de duda, no utilice el horno y solicite la asistencia de un técnico cualificado. Conserve todo el material de embalaje (bolsitas de plástico, poliestireno, clavos) fuera del alcance de los niños. La primera vez que se enciende el horno puede producirse un humo de olor acre, causado por el primer calentamiento del adhesivo de los paneles de aislamiento que recubren el horno: se trata de un fenómeno absolutamente normal y, en caso de que se produzca, será preciso esperar a que cese el humo antes de introducir los alimentos. El fabricante declina toda responsabilidad en caso de no observar las instrucciones contenidas en este documento.

NOTA: las funciones, las propiedades y los accesorios de los hornos citados en este manual pueden variar según los modelos.

Recomendaciones de seguridad

Utilice el horno solo con el fin para el que se ha diseñado, es decir: únicamente para cocer alimentos; cualquier otro uso, por ejemplo como fuente de calefacción, se considera impropio y por lo tanto peligroso. El fabricante no puede ser considerado responsable de eventuales daños derivados de usos impropios, erróneos o irracionales.

El uso de cualquier aparato eléctrico comporta la observación de una serie de reglas fundamentales:

- No tire del cable de alimentación para desconectar este producto de la fuente de alimentación.
- no tocar el aparato con las manos ni los pies mojados o húmedos;
- en general no es aconsejable usar adaptadores, regletas ni alargadores;
- en caso de avería o mal funcionamiento del aparato, apáguelo y no lo manipule.

Seguridad eléctrica

CONFÍE LA CONEXIÓN ELÉCTRICA A UN ELECTRICISTA O A UN TÉCNICO CUALIFICADO.

La red de alimentación a la que se conecte el horno debe cumplir la normativa vigente en el país de instalación. El fabricante declina toda responsabilidad por eventuales daños derivados de no observar dicha normativa. El horno debe conectarse a la red eléctrica mediante un enchufe de pared con toma de tierra o mediante un seccionador con varios polos, según la normativa vigente en el país de instalación. La red eléctrica debe estar protegida mediante fusibles adecuados y deben utilizarse cables con una sección transversal idónea que garantice una correcta alimentación del horno.

CONEXIÓN

El horno se suministra con un cable de alimentación que debe conectarse únicamente a una red eléctrica con una tensión de 220-240 V de CA entre fases o entre la fase y el neutro. Antes de conectar el horno a la red eléctrica es imprescindible comprobar:

- la tensión de alimentación indicada por el medidor;
- la configuración del seccionador.

El hilo de toma de tierra conectado al terminal de tierra del horno debe estar conectado al terminal de tierra de la red eléctrica.

ATENCIÓN

Antes de conectar el horno a la red eléctrica, confíe la comprobación de la continuidad de la toma de tierra de la red eléctrica a un electricista cualificado. El fabricante no se hace responsable de eventuales accidentes u otros problemas derivados de no conectar el horno a tierra o de conectarlo a una toma de tierra con una continuidad defectuosa.

NOTA: puesto que el horno podría requerir la intervención del servicio de asistencia, es aconsejable prever la disponibilidad de otro enchufe de pared al que conectar el horno después de extraerlo del espacio donde se ha instalado. El cable de alimentación debe sustituirse únicamente por personal de asistencia técnica o por técnicos con una cualificación análoga.

Recomendaciones

Una limpieza mínima después de utilizar el horno ayudará a mantenerlo limpio durante más tiempo. No forrar las paredes del horno con aluminio u otras protecciones disponibles en tiendas. El aluminio o los protectores, en contacto directo con el esmalte caliente puede derretirse y deteriorar el esmalte del interior. Para evitar un exceso de suciedad en el horno y que pueden derivar en olores y humo en exceso, recomendamos no utilizar el horno a temperaturas muy elevadas. Es mejor ampliar el tiempo de cocción y bajar un poco la temperatura.

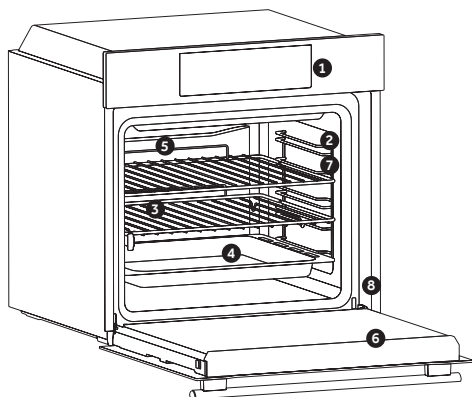
Instalación

No es obligación del fabricante instalar el horno. Si se requiere la ayuda del fabricante para subsanar fallos derivados de una instalación incorrecta, dicha asistencia no la cubrirá la garantía.

Han de seguirse a rajatabla las instrucciones de instalación para personal cualificado. Una instalación incorrecta puede provocar daños personales, materiales o en animales. El fabricante no se hace responsable de esos posibles daños.

El horno se puede colocar encima, en una columna, o debajo de una encimera. Antes de fijar el horno hay que asegurar una buena ventilación en el hueco donde se vaya a colocar y que el aire necesario para enfriar y proteger las piezas internas circula sin problema. Realizar las aperturas especificadas en la última página según el tipo de altura.

Descripción del producto

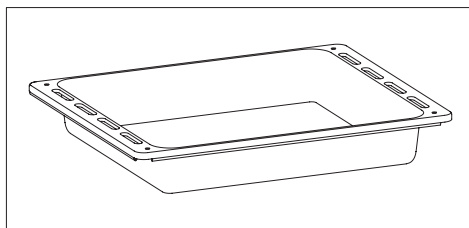


1. Panel de control
2. Niveles del horno (rejilla lateral, si está incluida)
3. Rejillas
4. Bandejas
5. Ventilador (si está presente)
6. Puerta del horno
7. Rejillas laterales (si están presentes: solo para cavidad plana)

8. Número de serie

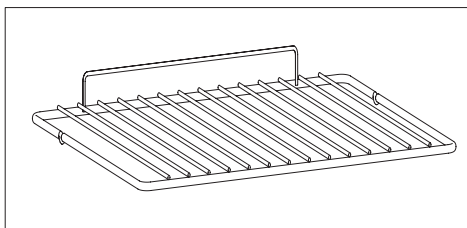
ACCESORIOS

Bandeja de goteo



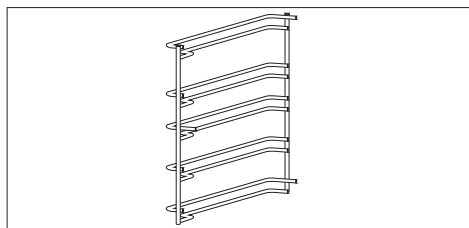
Recoge los residuos que gotean al cocinar alimentos en las rejillas.

Rejilla metálica



Sostiene fuentes y platos.

Rejillas laterales (solo si están presentes)



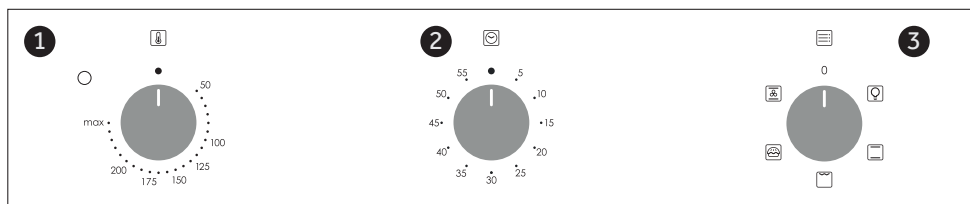
Situadas en ambos lados de la cavidad del horno, sostienen rejillas de metal y bandejas de goteo.

Primer uso

LIMPIEZA PRELIMINAR: Limpie el horno antes de utilizarlo por primera vez. Limpie las superficies externas con un paño suave levemente humedecido.

Lave todos los accesorios y limpie el interior del horno con detergente lavavajillas y agua caliente. Compruebe que el horno esté vacío, seleccione la temperatura máxima y déjelo encendido durante un mínimo de una hora para eliminar todos los olores que suele haber presentes en los hornos nuevos.

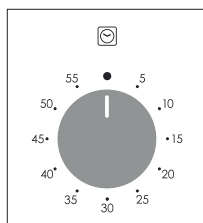
Descripción general



1- Selección de temperatura






2- Tiempo de cocción

3- Selección de función



Para seleccionar el tiempo elegido, gire el mando una vuelta completa y después vuelva a ajustar la marca en la posición correspondiente al tiempo deseado. Una vez transcurrido el tiempo seleccionado se emitirá una señal acústica durante algunos segundos.

Modalidades de cocción

Mando selector	T°C establecida	Rango de T°C	FUNCIÓN
			LAMPARA: Conecta la luz interior
	220	50 ÷ MAX	* CONVECCIÓN : Funcionan la resistencia inferior y la resistencia superior del horno. Es la cocción tradicional, ideal para cocinar asados, caza, galletas, manzanas al horno y para conseguir alimentos crujientes.
	230	50 ÷ MAX	GRILL : El grill debe utilizarse con la puerta cerrada. Utilización de la resistencia superior con posibilidad de ajustar la temperatura. Es necesario un precalentamiento de 5 minutos para que la resistencia se ponga al rojo. Éxito seguro con las parrilladas, las brochetas y los gratinados. Las carnes blancas deben alejarse del grill, porque aunque así se alargará el tiempo de cocción, la carne quedará más sabrosa. Las carnes rojas y los filetes de pescado se pueden colocar encima de la rejilla colocando debajo la grasera.
	190	50 ÷ MAX	* COOK LIGHT : Esta función permite cocinar de forma más sana porque reduce la cantidad de grasa y aceite que se necesita. La combinación de elementos térmicos con un ciclo pulsatorio de aire garantiza un resultado de cocción perfecto.
	180	50 ÷ MAX	MULTINIVEL : Utilización simultánea de la resistencia inferior, superior y de la turbina que hace circular el aire dentro del espacio del horno. Función recomendada para las aves, la repostería, los pescados, las verduras... El calor penetra mejor dentro del alimento a cocer reduciendo el tiempo de cocción, así como el tiempo de precalentamiento. Se pueden realizar cocciones combinadas con preparaciones idénticas o distintas en uno o dos niveles. Este modo de cocción garantiza una distribución homogénea del calor y no mezcla los olores. Para una cocción combinada se deben prever unos diez minutos más.

* Probado de conformidad con la norma EN 60350-1 con el propósito de declaración de consumo de energía y clase energética.

Limpieza y mantenimiento del horno

La vida útil del aparato se prolonga si se limpia a intervalos regulares. Espere a que el horno se enfríe antes de llevar a cabo las operaciones de limpieza manuales. No utilice nunca detergentes abrasivos, estropajos metálicos ni objetos puntiagudos para la limpieza con el fin de no dañar de forma irreparable las piezas esmaltadas. Utilice únicamente agua, jabón o detergentes a base de amoníaco.

PIEZAS DE VIDRIO

Es aconsejable limpiar la puerta de vidrio con papel absorbente de cocina después de cada uso del horno. Para eliminar las manchas más persistentes, se puede utilizar también una esponja empapada en detergente bien escurrida y aclarar con agua.

JUNTA DE LA PUERTA DEL HORNO

Si se ensucia, la junta se puede limpiar con una esponja ligeramente húmeda.

ACCESORIOS

Limpie los accesorios con una esponja empapada en agua y jabón, escúrralos y séquelos: no utilice detergentes abrasivos.

FUENTE DE GOTEO

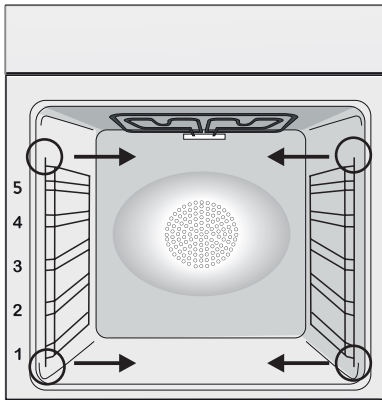
Después de usar las resistencias, extraiga la fuente del horno. Vierta la grasa caliente en un recipiente y lave la fuente con agua caliente utilizando una esponja y detergente lavavajillas.

Si quedan residuos grasos, sumerja la fuente en agua y detergente. También se puede lavar la fuente en el lavavajillas o bien utilizar un detergente comercial para hornos. Nunca vuelva a introducir la fuente sucia en el horno.

Mantenimiento

Extracción y limpieza de los bastidores cableados

- 1- Retire las guías metálicas tirando de ellas en la dirección de las flechas (ver más abajo)
- 2- Para limpiar las guías metálicas, puede ponerlas en el lavavajillas o utilizar una esponja húmeda, asegurándose siempre de que se sequen después.
- 3- Después del proceso de limpieza, monte las guías metálicas en orden inverso."



SUSTITUCIÓN DE LA BOMBILLA

1. Desenchufe el horno de la red eléctrica.
2. Suelte la cubierta de vidrio, desenrosque la bombilla y sustitúyala por una nueva del mismo modelo.
3. Una vez sustituida la bombilla defectuosa, vuelva a atornillar la cubierta de vidrio.

Este producto contiene una o más fuentes de luz de clase de eficiencia energética G (bombilla) / F (10 Led).

Gestión de residuos y respeto por el medio ambiente



Este aparato está certificado conforme a la directiva europea 2012/19/EU sobre aparatos eléctricos y electrónicos (WEEE). Los dispositivos WEEE contienen sustancias contaminantes (que pueden provocar

consecuencias negativas en el medio ambiente) o componentes básicos (que pueden reutilizarse). Es importante que dichos dispositivos estén sujetos a tratamientos específicos para eliminar y desechar correctamente todos los contaminantes y recuperar todos los materiales. Cada individuo puede desempeñar un papel importante a la hora de asegurar que los dispositivos WEEE no se conviertan en un problema medioambiental; es esencial seguir algunas reglas básicas:

- los dispositivos WEEE no deben tratarse como residuos domésticos;
- los dispositivos WEEE deben llevarse a los puntos de recogida específicos gestionados por el municipio o por una sociedad registrada. En muchos países, para los WEEE de grandes dimensiones, puede haber disponible un servi-

cio de recogida a domicilio. Cuando se compra un nuevo aparato, el viejo puede entregarse al vendedor, que debe adquirirlo gratuitamente siempre que el aparato sea de tipo equivalente y tenga las mismas funciones que el que se ha adquirido.

AHORRAR Y RESPETAR EL MEDIO AMBIENTE

Siempre que sea posible, evite precalentar el horno e intente utilizarlo siempre lleno. Abra la puerta del horno lo menos posible, ya que se producen dispersiones de calor cada vez que se lleva a cabo esta operación. Para ahorrar mucha energía basta apagar el horno de 5 a 10 minutos antes del fin del tiempo de cocción planificado y servirse del calor que el horno continúa generando. Mantener las juntas limpias y en buen estado para evitar posibles dispersiones de energía. Si se dispone de un contrato de energía eléctrica por tarifa horaria, el programa de cocción retardada permitirá ahorrar más fácilmente retrasando el encendido del horno hasta el horario de tarifa reducida.

RECUPERACIÓN DE ENVASES



Solución de problemas

Problema	Causa posible	Solución
El horno no se calienta	El reloj no está en hora	Configure el reloj
El horno no se calienta	El bloqueo infantil está activado	Desactive el bloqueo infantil
El horno no se calienta	Los ajustes necesarios no están configurados	Asegúrese de que los ajustes necesarios sean correctos

Belangrijke veiligheidsinstructies

- 51** Veiligheidsvoorschriften
- 55** Avvertenze Generali
- 57** Productbeschrijving
- 58** Beschrijving van het display
- 59** Bereidingswijzen
- 60** Algemene opmerkingen over de reiniging
- 60** Onderhoud
- 61** Problemen oplossen
- 99** Installation

Veiligheidsvoorschriften

- Tijdens het koken kan vocht in de ovenruimte of op het glas van de deur condenseren. Dit is normaal. Om dit effect te verminderen, wacht u 10-15 minuten na het inschakelen van de stroom voordat u voedsel in de oven doet. Condensatie verdwijnt in elk geval de wanneer de oven de kooktemperatuur bereikt.
- Kook de groenten in een bakje met deksel in plaats van een open blad.
- Laat geen voedsel in de oven achter na het koken voor langer dan 15/20 minuten.
- WAARSCHUWING: het apparaat en de toegankelijke onderdelen worden heet tijdens gebruik. Zorg ervoor dat u geen hete onderdelen aanraakt.
- WAARSCHUWING: De toegankelijke delen kunnen heet worden als de oven in gebruik is. Kinderen moeten op veilige afstand gehouden worden.
- WAARSCHUWING: Trek de stekker van het apparaat uit het stopcontact voordat u werkzaamheden of onderhoud uitvoert.
- WAARSCHUWING: om gevaar door een onbedoelde reset van de thermische uitschakeling te vermijden, mag dit apparaat niet worden aangesloten op een externe schakelinrichting zoals een timer, of worden aangesloten op een circuit dat regelmatig wordt in- of uitgeschakeld.
- Kinderen jonger dan 8 jaar moeten op veilige afstand van het apparaat worden gehouden, als ze niet continu onder toezicht staan.
- Kinderen mogen niet met het apparaat spelen. Dit apparaat mag alleen worden gebruikt door kinderen van 8 jaar en ouder en personen met een lichamelijke, zintuiglijke of verstandelijke beperking of met gebrek aan ervaring en kennis op voorwaarde dat zij onder toezicht staan of aanwijzingen hebben gekregen over de manier waarop het apparaat veilig wordt gebruikt, en zij de bijbehorende gevaren begrijpen.

- Reiniging en onderhoud mogen niet door kinderen worden uitgevoerd, tenzij zij onder toezicht staan.
- Gebruik geen ruwe of schurende materialen of scherpe metalen schrapers om de glazen van de ovendeur schoon te maken, omdat deze krassen op het oppervlak kunnen veroorzaken en het glas kunnen doen barsten.
- De oven moeten worden uitgeschakeld voordat u de verwijderbare onderdelen verwijdert.
- Na reiniging moeten ze weer in elkaar worden gezet volgens de instructies.
- Gebruik alleen de voor deze oven aanbevolen vleessonde.
- Gebruik geen stoomreiniger of hogedrukspuit voor reinigingsswerkzaamheden.
- Als de oven door de fabrikant zonder stekker wordt geleverd: HET APPARAAT MAG NIET OP DE VOEDINGSBRON WORDEN AANGESLOTEN DOOR MIDDEL VAN STEKKERS OF CONTACTDOZEN, MAAR MOET RECHTSTREEKS OP HET ELEKTRICITEITSNET WORDEN AANGESLOTEN. De aansluiting op de krachtbron moet worden uitgevoerd door een voldoende gekwalificeerde professional. Om een installatie te hebben die voldoet aan de huidige veiligheidswetgeving mag de oven alleen worden aangesloten met een omnipolaire scheidingsschakelaar, met een contactscheiding die voldoet aan de eisen voor overspanningscategorie III, tussen het apparaat en de stroombron. De omnipolaire scheidingsschakelaar moet geschikt zijn voor de maximale aangesloten belasting en moet in overeenstemming zijn met de huidige wetgeving. De groen-gele aardingsleiding mag niet door de scheidingsschakelaar onderbroken worden. De omnipolaire scheidingsschakelaar die wordt gebruikt voor de aansluiting moet makkelijk toegankelijk zijn wanneer het apparaat wordt geïnstalleerd. De aansluiting op de krachtbron moet worden uitgevoerd door een voldoende gekwalificeerde professional die rekening houdt met de polariteit van de oven en van de krachtbron. De uitschakeling moet worden bereikt door het opnemen van een schakelaar in de vaste bedrading in overeen-

stemming met de bedradingsregels.

- Als de oven door de fabrikant met de stekker is geleverd: Het stopcontact moet geschikt zijn voor de belasting die staat aangegeven op het label en de aarding ervan moet aangesloten en in werking zijn. De aardgeleider heeft een geel-groene kleur. Deze procedure moet worden uitgevoerd door een daarvoor gekwalificeerde professional. Vraag in geval van incompatibiliteit tussen het stopcontact en de apparaatstekker een erkende elektricien om het stopcontact door een ander geschikt type te vervangen. De stekker en het stopcontact moeten worden aangepast aan de huidige normen van het land van installatie. Aansluiting op de voeding kan ook worden uitgevoerd door het plaatsen van een omnipolaire scheidingsschakelaar (met een contactscheiding in overeenstemming met de vereisten voor overspanning van categorie III) tussen het apparaat en de voeding, die geschikt is voor de maximaal aangesloten belasting en die voldoet aan de huidige wetgeving. De groen-gele aardingsleiding mag niet door de scheidingsschakelaar onderbroken worden. Het stopcontact of de omnipolaire scheidingsschakelaar gebruikt voor de aansluiting moet makkelijk toegankelijk zijn wanneer het apparaat wordt geïnstalleerd. De uitschakeling kan worden bereikt met een toegankelijke stekker of door het opnemen van een schakelaar in de vaste bedrading in overeenstemming met de bedradingsregels.
- Als de voedingskabel beschadigd is, moet hij worden vervangen door een kabel of speciale bundel die verkrijgbaar is bij de fabrikant, of via de klantenservice.
- De voedingskabel moet van het type H05V2V2-F zijn.
- Dit moet worden gedaan door een gekwalificeerd vakman. De aardgeleider (geel-groen) moet ongeveer 10 mm langer zijn dan de andere geleiders. Neem voor reparaties alleen contact op met de klantenservice en vraag om het gebruik van originele reserveonderdelen.
- Als niet aan bovenstaande wordt voldaan, kan de veiligheid van het apparaat worden aangetast en de garantie komen te vervallen.

- Gemorst materiaal moet worden verwijderd alvorens het apparaat schoon te maken.
- Langdurige stroomuitval terwijl er een bereiding bezig is, kan een storing in de monitor veroorzaken. Neem in dat geval contact op met de klantenservice.
- Om oververhitting te vermijden, mag het apparaat niet achter een decoratieve deur worden geplaatst.
- Let er bij het plaatsen van het rooster op dat de antisliprand naar achteren en omhoog is geplaatst.
- Als u het schap erin plaatst, moet u ervoor zorgen dat de aanslag aan de bovenkant en achterin de ovenruimte zit. Het schap moet helemaal in de ruimte worden geschoven
- WAARSCHUWING: Bekleed de ovenruimte niet met aluminiumfolie of wegwerpbeschermingen die verkrijgbaar zijn in de handel. Aluminiumfolie of andere beschermingen die rechtstreeks in contact komen met het hete email, kunnen smelten en het email van de binnenwanden aantasten.
- WAARSCHUWING: Verwijder nooit de afdichting van de ovendeur.
- LET OP: Vul de bodem van de ovenruimte niet opnieuw met water tijdens het koken of als de oven heet is.
- Er is geen extra bediening/instelling nodig om het apparaat op de nominale frequenties te laten werken.
- De oven kan zich hogerop in een kast of onder een aanrecht bevinden. Vóór de bevestiging moet u zorgen voor een goede ventilatie in de ovenruimte, om een goede circulatie mogelijk te maken van de frisse lucht die nodig is voor het koelen en beschermen van de interne delen. Breng de openingen aan zoals gespecificeerd op de laatste pagina, overeenkomstig het type fitting.
- Voor een correct gebruik van de oven is het raadzaam het voedsel niet rechtstreeks in contact te brengen met de rekken en platen, maar gebruik te maken van bakpapier en/of speciale schalen.

Avvertenze Generali

De handleiding aandachtig lezen zodat u de oven optimaal kan gebruiken. Wij raden u aan de installatie- en gebruikshandleiding voor een latere raadpleging te bewaren en er, vóór de installatie van de oven, het serienummer van het toestel op te noteren voor de aanvraag van een eventuele interventietussenkomst door de dienst-na-verkoop. Nadat u uw oven uit de verpakking hebt gehaald, moet u controleren of het toestel compleet is. Verpakkingsmateriaal zoals plastic en polystyreen kan gevaarlijk zijn voor kinderen. Houd het uit hun buurt. Onze aansprakelijkheid of verantwoordelijkheid geldt niet wanneer u de richtlijnen in deze handleiding niet naleeft. Wanneer u de oven een eerste keer gebruikt, kan er een doordringende rook ontstaan. Die wordt veroorzaakt door het feit dat de kleefstof van de isolerende panelen rond de oven een eerste keer wordt opgewarmd. Dit is volledig normaal. Wacht tot de rook is verdwenen voor u de oven effectief gaat gebruiken.

Opmerking: De functies, eigenschappen en accessoires van de oven kunnen verschillend zijn afhankelijk van het model.

Veiligheidsaanwijzingen

Gebruik de oven alleen voor het doel waarvoor hij is bestemd, te weten het bereiden van voedsel. Elk ander gebruik, bijvoorbeeld als warmtebron, wordt oneigenlijk en dus gevaarlijk geacht. De fabrikant kan niet aansprakelijk worden gesteld voor schade die het gevolg is van onjuist, oneigenlijk of onredelijk gebruik.

Bij het gebruik van ieder elektrisch apparaat moeten er enkele fundamentele regels in acht worden genomen:

- Trek niet aan de stroomkabel om de stekker uit het stopcontact te halen;
- Raak het apparaat niet aan met natte of vochtige handen of voeten;
- Over het algemeen wordt het gebruik van adapters, stekkerdozen en verlengsnoeren niet aanbevolen;

in het geval van een storing en/of slechte werking moet het apparaat uitgeschakeld worden, zonder ermee te knoeien.

Elektrische veiligheid

VERZEKER DAT DE ELEKTRISCHE AANSLUITINGEN WORDEN GEMAAKT DOOR EEN ELEKTRICIEN OF GEKWALIFICEERD TECHNICUS. De voeding waarop de oven wordt aangesloten moet voldoen aan de wettelijke voorschriften die gelden in het land van installatie. De fabrikant aanvaardt geen verantwoordelijkheid voor schade die veroorzaakt is door veronachtzaming van deze aanwijzingen. De oven moet worden aangesloten op een elektrische voeding met geaard stopcontact of een scheidingsschakelaar met meerdere polen, afhankelijk van de wetten die van kracht zijn in het land van installatie. De elektrische voeding moet worden beveiligd met geschikte zekeringen en de gebruikte kabels moeten een dwarsdoorsnede hebben die de juiste stroomtoevoer naar de oven verzekert.

AANSLUITING

De oven heeft een snoer dat alleen mag worden aangesloten op een elektrische voeding van 220-240 Vac tussen de fasen of tussen fase en nul. Voordat de oven wordt aangesloten op de voeding, is het belangrijk om het volgende te controleren:

- voedingsspanning aangegeven op de wijzer;

- de instelling van de scheidingsschakelaar.

De aardingsdraad die verbonden is met de aardingsklem van de oven moet worden aangesloten op de aardingsklem van de voeding.

WAARSCHUWING

Alvorens de oven aan te sluiten op de voeding, moet de stroomdoorgang van de aardingsklem van de voeding worden gecontroleerd door een gekwalificeerd elektricien. De fabrikant aanvaardt geen verantwoordelijkheid voor ongevallen of andere problemen die zijn veroorzaakt doordat de oven niet op de aardingsklem is aangesloten of door een aarding die geen goede stroomdoorgang heeft.

NB: aangezien de oven onderhoud behoeft, is het raadzaam een ander stopcontact beschikbaar te hebben zodat de oven hierop kan worden aangesloten als hij verwijderd wordt uit de ruimte waar hij is opgesteld. Het snoer mag alleen worden vervangen door technisch personeel of door technici met dezelfde kwalificaties.

Aanbevelingen

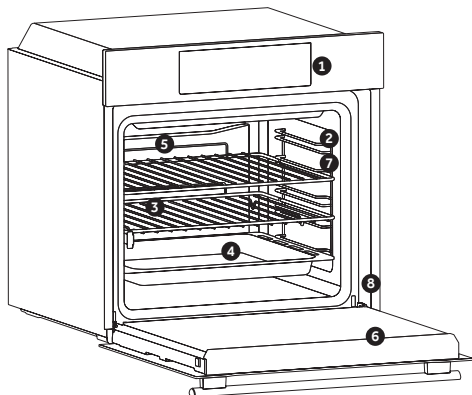
Een snelle reiniging na elk gebruik van de oven helpt om het apparaat perfect schoon te houden. Bekleed de ovenruimte niet met aluminiumfolie of wegwerpbeschermingen die verkrijgbaar zijn in de handel. Aluminiumfolie of andere beschermingen die rechtstreeks in contact komen met het hete email, kunnen smelten en het email van de binnenwanden aantasten. Om te voorkomen dat de oven te vuil wordt waardoor sterke, rokerige geuren ontstaan, adviseren wij de oven niet te gebruiken op zeer hoge temperatuur. Verleng liever de bereidingstijd en zet de temperatuur wat lager. Wij adviseren om alleen borden en bakvormen te gebruiken in aanvulling op de bij de oven geleverde accessoires bestand tegen zeer hoge temperaturen.

Installatie

De fabrikant is niet verplicht dit uit te voeren. Als er assistentie van de fabrikant nodig is om storingen op te lossen die het gevolg zijn van onjuiste installatie, wordt deze assistentie niet gedekt door de garantie. De installatieaanwijzingen voor gekwalificeerd vakpersoneel moeten worden opgevolgd. Onjuiste installatie kan schade of letsel veroorzaken aan mensen, dieren of voorwerpen. De fabrikant kan niet aansprakelijk worden geacht voor dergelijke schade of letsel.

De oven kan in een hoge kast of onder een werkblad worden geplaatst. Alvorens de verse lucht kan circuleren voor afkoeling en bescherming van de inwendige delen. Maak de openingen die aangegeven zijn op de laatste pagina, afhankelijk van het type montage.

Productbeschrijving

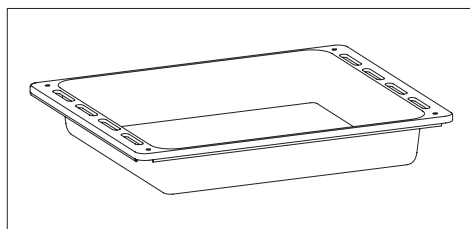


1. Bedieningspaneel
2. Posities van de platen (zijrooster indien aanwezig)
3. Roosters
4. Bakplaten
5. Ventilator (indien aanwezig)
6. Ovendeur
7. Zijroosters (indien aanwezig; alleen voor platte ovenruimte)

8. Serienummer

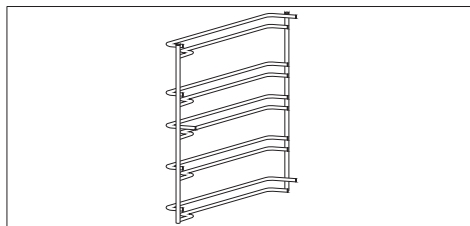
ACCESSOIRES

Lekbak



Hierin worden de resten opgevangen die tijdens het bereiden van voedsel op de roosters vallen.

Zijroosters (alleen indien aanwezig)



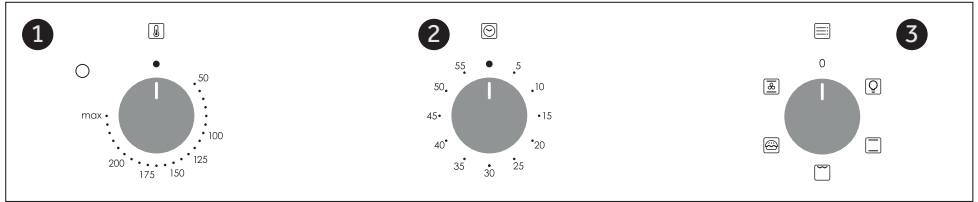
Aan weerszijden van de ovenruimte bevinden zich metalen roosters en lekbakken.

Eerste gebruik

VOORAFGAANDE REINIGING

Maak de oven schoon voordat u hem voor het eerst gebruikt. Veeg de buitenkant af met een vochtige zachte doek. Was alle accessoires af en neem de binnenkant van de oven af met een oplossing van heet water en afwasmiddel. Zet de lege oven op de hoogste temperatuur en laat hem ongeveer 1 uur ingeschakeld, zo worden de geuren van het nieuwe apparaat die zijn blijven hangen verwijderd.

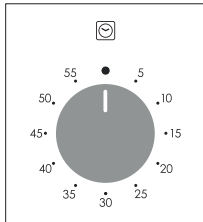
Beschrijving van het display



1. Keuzeknop thermostaat

2. Kooktijd

3. Functiekeuzeknop








U stelt de kookwekker in door deze eerst een maal compleet om te draaien (met de klok mee).

Draai de schakelaar vervolgens terug naar de gewenste positie/tijd.

Zodra de ingestelde tijd is overschreden, gaat er gedurende enkele seconden een geluidssignaal.

Bereidingswijzen

Functie-knop	T °C standaard	T °C bereik	Functie
			Dit schakeld de ovenverlichting in. Ditz al automatisch de koelventilator inschakelen (alleen op modellen met mantelkoeling)
	220	50 ÷ MAX	* CONVENTIONEEL: Hierbij werken de verwarmingselementen aan de boven- en onderkant. Dit is de traditionele manier van bereiding van voedsel. Ideaal om te braden, wildgerechten te bereiden, koekjes en appelbollen te bakken en om te bereiken dat het voedsel knapperig blijft.
	230	50 ÷ MAX	GRILL: U moet de grill met een gesloten deur gebruiken. Enkel de bovenweerstand wordt gebruikt en u heeft de mogelijkheid om de temperatuur te regelen. U moet 5 minuten voorverwarmen om de weerstand te laten gloeien. Succes verzekerd bij het grillen, bereiden van brochettes en bij het gratineren. Wit vlees moet van de grill verwijderd blijven, hierdoor wordt de baktijd langer, maar blijft het vlees sappiger. Rood vlees en visfilets moeten op het rooster gelegd worden en met daaronder de lekbak.
	190	50 ÷ MAX	* COOK LIGHT : Met deze functie kunt u gezonder koken, waarbij de benodigde hoeveelheid vet of olie wordt verminderd. De combinatie van verwarmingselementen met een pulserende luchtcyclus garandeert een perfect bakresultaat.
	180	50 ÷ MAX	MULTI-NIVEAU: De hete lucht, wordt geleidelijk door de ventilator over alle niveaus verdeeld. Ideaal voor het gelijktijdig bereiden van diverse gerechten (vlees, vis e.d.) zonder menging van luchtjes en smaken. Het is zeer geschikt voor delicate gerechten, cake, taarten, bladerdeeg enz.

* Getest in overeenstemming met EN 60350-1 voor een verklaring van stroomverbruik en energieklasse

Algemene opmerkingen over de reiniging

Door het apparaat regelmatig schoon te maken, gaat het langer mee. Wacht tot de oven is afgekoeld voordat u het met de hand gaat schoonmaken. Gebruik nooit schurende middelen, staalwol of scherpe voorwerpen voor het schoonmaken, want daarmee zouden de geëmailleerde onderdelen onherstelbaar worden beschadigd. Gebruik alleen water, zeep en op bleekmiddel gebaseerde reinigingsmiddelen (ammoniak).

GLAZEN DELEN

Het is raadzaam het glazen venster na elk gebruik van de oven schoon te maken met absorberend keukenpapier. Om hardnekkigere vlekken te verwijderen kunt u een spons gebruiken die in een reinigungsoplossing bevochtigd en goed uitgeknepen is. Spoel na met water.

AFDICHTING OVENVENSTER

Als de afdichting vuil is, kan hij worden schoongemaakt met een enigszins vochtige spons.

ACCESSOIRES

Maak accessoires schoon met een natte spons en zeep, alvorens ze af te spoelen en te drogen. gebruik geen schurende middelen.

LEKBAK

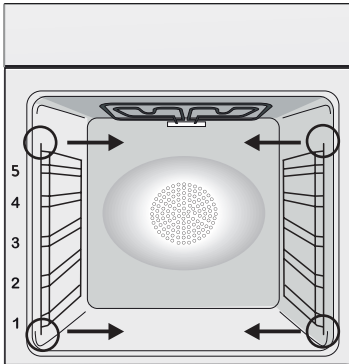
Haal de lekbak uit de oven nadat de grill is gebruikt. Giet het hete vet in een houder en was de pan af in heet water, met een spons en afwasmiddel.

Als er restanten vet achterblijven, laat u de pan weken in water met een reinigungsmiddel. Het is ook mogelijk de pan in de afwasmachine af te wassen of een in de handel verkrijgbaar reinigungsmiddel voor ovens te gebruiken. Plaats nooit een vuile lekbak terug in de oven.

Onderhoud

VERWIJDERING EN REINIGING VAN ROOSTERS

- 1- Verwijder de steunroosters door ze in de richting van de pijlen te trekken (zie hieronder)
- 2- Voor het reinigen van de steunroosters kunt u ze in de vaatwasser doen of een natte spons gebruiken.
- 3- Monteer de steunen na het reinigen in omgekeerde volgorde.



HET LAMPJE VERVANGEN

1. Koppel de oven af van het elektriciteitsnet.
2. Maak het glazen deksel los, schroef het lampje los en vervang het door een nieuw lampje van hetzelfde type.
3. Plaats het glazen deksel terug nadat het defecte lampje is vervangen.

Dit product bevat een of meer lichtbronnen van energie-efficiëntieklasse G (lamp)/F (10 led).

Afvalbeheer en milieubescherming



Dit apparaat is gemarkeerd volgens de Europese norm 2012/19/EU inzake Afval van elektrisch en elektronisch apparatuur (WEEE). WEEE bevat zowel verontreinigende substanties (die negatieve gevolgen op het milieu kunnen hebben) en basiscomponenten (die hergebruikt kunnen worden). Het is belangrijk om WEEE aan bepaalde behandelingen te onderwerpen om alle vervuilende onderdelen te verwijderen en op juist wijze afstand van te doen, en alle materialen te herstellen en te recyclen.

Particulieren kunnen hier een belangrijke rol in spelen door te zorgen dat een WEEE geen milieukwestie wordt; het is essentieel de volgende basisregels te volgen:

- WEEE mag niet als huishoudelijk afval worden beschouwd.
- WEEE moet worden overhandigd aan relevante inzamelpunten die worden beheerd door de gemeente of door geregistreerde bedrijven. In veel landen bestaat er voor grote WEEE een ophaaldienst.
- Als u een nieuw apparaat koopt, kan het oude bij de leverancier worden ingeleverd, welke het gratis bij u moet afhalen op een één-op-één

basis, zolang het apparaat van soortgelijk type is en dezelfde functies heeft als de geleverde apparatuur.

ENERGIE BESPAREN MET RESPECT VOOR HET MILIEU

Indien mogelijk, vermijd het voorverwarmen van de oven en vermijd om de oven zonder inhoud te laten draaien. Laat de ovendeur niet open alleen wanneer dat nodig is, omdat er warmteverlies ontstaat elke keer dat de oven open staat. Voor een aanzienlijke energiebesparing, schakelt u de oven 5 tot 10 minuten uit voor het voorziene einde van de bereidingstijd en gebruik de warmte die de oven blijft genereren. Houd de dichtingen schoon en in goede staat, om energieverlies te voorkomen. Als u een contract heeft met een laag energie tarief, kunt u gebruik maken van het "uitgesteld koken". Deze zal uw programma laten starten in een periode waar u aan een voordelig tarief kookt. Dit helpt u bij het besparen van energie.

Problemen oplossen

Probleem	Mogelijke oorzaak	Oplossing
De oven wordt niet heet	De klok is niet ingesteld	Stel de klok in
De oven wordt niet heet	Het kinderslot is ingeschakeld	Schakel het kinderslot uit
De oven wordt niet heet	Er is geen bereidingsfunctie en -temperatuur ingesteld	Verzekert dat de vereiste instellingen juist zijn

Zusammenfassung

- 63** Sicherheitshinweise
- 67** Allgemeine Anweisungen
- 69** Produktbeschreibung
- 70** Betrieb des Backofens
- 71** Kochmodi
- 72** Reinigung und Wartung des Backofens
- 72** Allgemeine Reinigungshinweise
- 73** Häufig gestellte fragen
- 99** Installation

Sicherheitshinweise

- Während des Garvorgangs kann Feuchtigkeit im Ofenraum oder auf dem Glas der Tür kondensieren. Dies ist ein normaler Zustand. Um diesen Effekt zu verringern, warten Sie 10-15 Minuten nach dem Einschalten des Geräts, bevor Sie die Speisen in den Ofen stellen. In jedem Fall verschwindet das Kondensat, wenn der Ofen die Gartemperatur erreicht hat.
- Das Gemüse in einem Behälter mit Deckel anstelle einer offenen Schale kochen.
- Vermeiden Sie es, Speisen nach dem Garvorgang länger als 15/20 Minuten im Ofen zu lassen.
- **WARNUNG:** Während des Gebrauchs werden das Gerät und dessen zugänglichen Teile heiß. Achten Sie darauf, dass Sie keine heißen Teile berühren.
- **WARNUNG:** Der Ofen und zugängliche Teile können während des Betriebs heiß werden. Kleine Kinder nicht in die Nähe des Geräts gelangen lassen.
- **WARNUNG:** Trennen Sie das Gerät von der Stromversorgung, bevor Sie Arbeiten oder Wartung daran vornehmen.
- **WARNUNG:** Um eine Gefährdung durch das versehentliche Zurücksetzen des Überhitzungsschutzes zu vermeiden, darf dieses Gerät nicht durch ein externes Schaltgerät, z. B. einen Timer, betrieben werden oder an einen Schaltkreis angeschlossen werden, der regelmäßig ein- und ausgeschaltet wird.
- Kinder unter 8 Jahren sollten in sicherem Abstand vom Gerät gehalten werden, wenn sie nicht ständig überwacht werden.
- Kinder dürfen keinesfalls mit dem Gerät spielen. Das Gerät darf von Personen ab 8 Jahren und von Personen mit eingeschränkten körperlichen, sensorischen oder geistigen Fähigkeiten, ohne Erfahrung oder Kenntnis des Produkts nur dann benutzt werden, wenn sie beaufsichtigt oder mit Anweisungen zur Bedienung des Geräts ausgestattet werden, und zwar auf sichere Weise und im Bewusstsein der möglichen Risiken.

- Die Reinigung und Wartung darf nicht von unbeaufsichtigten Kindern durchgeführt werden.
- Verwenden Sie keine rauen oder abrasiven Materialien oder scharfen Metallabstreifer zur Reinigung der Ofentürscheiben, da diese die Oberfläche zerkratzen und das Glas zerbrechen können.
- Der Ofen muss ausgeschaltet werden, bevor die herausnehmbaren Teile entfernt werden.
- Montieren Sie diese nach der Reinigung wieder gemäß den Anweisungen.
- Verwenden Sie nur den für diesen Ofen empfohlenen Kerntemperaturfühler.
- Verwenden Sie keinen Dampfreiniger oder Hochdruckspray für die Reinigung.
- Wenn der Backofen vom Hersteller ohne Stecker ausgeliefert wird: **DAS GERÄT DARF NICHT ÜBER STECKER ODER STECKDOSEN MIT DER STROMQUELLE VERBUNDEN WERDEN, SONDERN MUSS DIREKT AN DAS STROMNETZ ANGESCHLOSSEN WERDEN.** Der Anschluss an die Stromquelle muss von einem entsprechend qualifizierten Fachmann vorgenommen werden. Damit der Anschluss den geltenden Sicherheitsvorschriften entspricht, darf er nur mittels eines allpoligen Schalters erfolgen, mit Unterbrechung der Kontakte gemäß Überspannungskategorie III zwischen Gerät und Stromquelle. Der allpolige Schalter muss die gesetzlich zugelassenen maximalen Anschlusswerte tragen. Das gelb/grüne Erdungskabel darf nicht vom Schalter unterbrochen werden. Bei der Installation des Geräts darauf achten, dass der für den Anschluss verwendete allpolige Schalter gut zugänglich ist. Der Anschluss an die Stromquelle muss von einem entsprechend qualifizierten Fachmann unter Berücksichtigung der Polarität des Ofens und der Stromquelle vorgenommen werden. Die Trennung von der Stromversorgung muss durch einen Poltrenner erfolgen, der gemäß den geltenden VDE-Vorschriften an den Stromkreis an-

- geschlossen wird.
- Wenn der Backofen vom Hersteller mit Stecker geliefert wird: Die Steckdose muss der auf dem Schild angegebenen Last entsprechen, funktionsfähig und geerdet sein. Der Erdleiter ist gelb-grün. Dieser Vorgang darf nur durch einen geschulten Elektriker ausgeführt werden. Passen Steckdose und Stecker nicht zueinander, muss die Steckdose durch einen qualifizierten Elektriker gegen eine geeignete ausgetauscht werden. Stecker und Steckdose müssen den aktuellen Gesetzgebungen des Landes entsprechen. Der Anschluss an die Stromversorgung kann auch mittels eines allpoligen Schalters, der die gesetzlich zugelassenen maximalen Anschlusswerte tragen kann, mit Unterbrechung der Kontakte gemäß Überspannungskategorie III zwischen Gerät und Stromquelle erfolgen. Das gelb/grüne Erdungskabel darf nicht vom Schalter unterbrochen werden. Bei der Installation des Geräts darauf achten, dass die für den Anschluss verwendete Steckdose oder der allpolige Schalter gut zugänglich ist. Die Trennung von der Stromversorgung kann entweder durch einen zugänglichen Stecker oder durch einen Poltrenner erfolgen, der gemäß den geltenden VDE-Vorschriften an den Stromkreis angeschlossen wird.
 - Wenn das Netzkabel beschädigt ist, sollte es durch ein Kabel oder ein spezielles Bündel ersetzt werden, das beim Hersteller oder beim Kundendienst erhältlich ist.
 - Das Stromkabel muss vom Typ H05V2V2-F sein.
 - Diese Arbeit darf nur von qualifiziertem Personal durchgeführt werden. Der Schutzleiter (gelb-grün) muss ca. 10 mm länger sein als die anderen Leiter. Wenden Sie sich bei Reparaturen nur an den Kundendienst und fordern Sie die Verwendung von Original- Ersatzteilen an.
 - Die Nichteinhaltung der oben genannten Bestimmungen kann die Sicherheit des Gerätes beeinträchtigen und zum Erlöschen der Garantie führen.
 - Überschüssiges Verschüttungsmaterial sollte vor der Reini-

gung entfernt werden.

- Ein längerer Stromausfall während des Kochbetriebs kann zu einer Fehlfunktion des Geräts führen. Wenden Sie sich in diesem Fall an den Kundendienst.
- Das Gerät darf nicht hinter einer dekorativen Tür installiert werden, um eine Überhitzung zu vermeiden.
- Wenn Sie den Einlegeboden innen platzieren, achten Sie darauf, dass der Anschlag nach oben und in die Rückseite des Hohlraums gerichtet ist. Der Einlegeboden muss vollständig in den Hohlraum eingesetzt werden
- Achten Sie beim Einsetzen des Gitterrosts darauf, dass die Gleitschutzkante nach hinten und oben gerichtet positioniert ist.
- **WARNUNG:** Decken Sie die Backofenwände nicht mit Aluminiumfolie oder anderem Einwegschutz ab, der in direkten Kontakt mit der heißen Emaille kommt. Dies kann Schmelzen und Verschleiß des Emailles an den Innenseiten verursachen.
- **WARNUNG:** Niemals die Türdichtung des Ofens entfernen.
- **VORSICHT:** Füllen Sie den Hohlraumboden während des Garens oder bei heißem Backofen nicht wieder mit Wasser auf.
- Für den Betrieb des Gerätes mit den Nennfrequenzen ist keine zusätzliche Bedienung/Einstellung erforderlich.
- Der Backofen kann oben in einem Einbauschrank oder unter der Arbeitsfläche eingebaut werden. Vor dem Fixieren muss gewährleistet sein, dass im Backofenraum genügend Frischluft zirkulieren kann, um die Kühlung und den Schutz der innenliegenden Teile zu gewährleisten. Je nach Einbauart die auf der letzten Seite angegebenen Öffnungen vornehmen.
- Für eine korrekte Verwendung des Backofens sollten die Lebensmittel nicht in direkten Kontakt mit den Einschubleisten und Blechen kommen, sondern auf Backpapier bzw. in ofenfeste Behälter gelegt werden.

Allgemeine Anweisungen

Vielen Dank, dass Sie sich für eins unserer Produkte entschieden haben. Damit Sie lange Freude mit Ihrem Backofen haben, sollten Sie diese Bedienungsanleitung sorgfältig durchlesen und zum Nachschlagen in der Zukunft aufbewahren. Notieren Sie sich vor dem Anschließen des Backofens die Seriennummer, sodass Sie diese im Reparaturfall an den Kundendienst weitergeben können. Den Backofen nach dem Auspacken auf mögliche Transportschäden überprüfen. Im Zweifelsfall den Ofen nicht in Betrieb nehmen und einen qualifizierten Servicetechniker konsultieren. Verpackungsmaterial (Plastiktüten, Styropor, Nägel usw.) außerhalb der Reichweite von Kindern aufbewahren. Beim ersten Einschalten des Backofens kann ein streng riechender Rauch entstehen.

Dieser kann beim ersten Erhitzen durch den Kleber auf den Dämmplatten hervorgerufen werden. Dies ist bei der ersten Inbetriebnahme ein normaler Vorgang; es sollte jedoch abgewartet werden, bis der Rauch sich verzogen hat, bis Lebensmittel in den Ofen geschoben werden. Der Hersteller übernimmt keine Verantwortung in Fällen, wo die in diesem Dokument enthaltenen Anweisungen nicht beachtet werden.

HINWEIS: Die in diesem Handbuch erwähnten Funktionen, Eigenschaften und Zubehörteile können je nach gekauftem Modell variieren.

Sicherheitshinweise

Den Backofen nur zum vorbestimmten Zweck, das heißt, für das Garen von Lebensmitteln einsetzen. Alle anderen Verwendungsmöglichkeiten wie beispielsweise als Heizungsquelle gelten als unsachgemäß und sind daher gefährlich. Der Hersteller übernimmt keine Haftung für Schäden, die aus einer falschen, unsachgemäßen oder unverständlichen Verwendung hervorgehen.

Der Betrieb elektrischer Geräte erfordert die Einhaltung einiger Grundregeln:

- Das Gerät nicht am Stromkabel aus der Steckdose ziehen.
- Gerät nicht mit nassen oder feuchten Händen oder Füßen berühren.
- Die Verwendung von Adaptern, Mehrfachsteckern und Verlängerungskabeln wird nicht empfohlen.
- Bei einer Fehlfunktion beziehungsweise bei unzulänglichem Betrieb Gerät ausschalten und nicht öffnen.

Elektrische Sicherheit

DER ANSCHLUSS AN DIE STROMQUELLE DARF NUR DURCH EINEN ELEKTRIKER ODER QUALIFIZIERTEN TECHNIKER ERFOLGEN.

Die Stromquelle, an die der Backofen angeschlossen wird, muss den gesetzlichen Voraussetzungen des

Landes entsprechen. Der Hersteller übernimmt keine Haftung für Schäden, die aus der Nichtbefolgung dieser Anweisungen entstehen. Der Backofen muss entsprechend der geltenden Gesetzgebung des Landes an eine geerdete Wandsteckdose oder an einen allpoligen Trennschalter angeschlossen werden. Die Stromquelle sollte durch entsprechende Sicherungen geschützt sein und die verwendeten Kabel müssen einen Querschnitt aufweisen, der eine ordnungsgemäße Stromversorgung des Backofens gewährleistet.

ANSCHLUSS

Der Backofen wird mit einem Stromkabel geliefert, das an eine Stromquelle mit 220- 240 Vac

angeschlossen werden kann. Bevor der Backofen an die Stromquelle angeschlossen wird, muss Folgendes überprüft werden:

- Spannung des Stromnetzes mit dem Messgerät;
- Beschaffenheit und Umfeld des Trennschalters.

Die mit der Erdungsklemme des Backofens verbundene Schutzleitung muss mit der Erdungsklemme der Stromquelle verbunden werden.

WARNUNG

Vor dem Anschließen des Backofens an die Stromquelle einen qualifizierten Elektriker darum bitten, die Kontinuität der Erdungsklemme an der Stromquelle zu überprüfen. Der Hersteller übernimmt keine Verantwortung für Unfälle oder sonstige Probleme, die aus einem nicht sachgemäßen Anschluss des Backofens an die Erdungsklemme oder an einen geerdeten Anschluss mit defekter Kontinuität entstehen können.

HINWEIS: Für eine eventuelle Wartung des Ofens ist die Zugänglichkeit einer zweiten Wandsteckdose von Vorteil, sodass er an diese angeschlossen werden kann, wenn er ausgebaut werden muss. Das Stromkabel darf nur von qualifizierten Kundendiensttechnikern oder Elektrikern ausgetauscht werden.

Empfehlungen

Es empfiehlt sich, den Backofen nach jeder Verwendung grob zu reinigen.

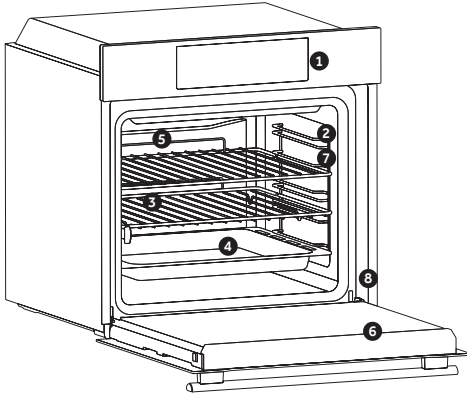
Die Ofenwände nicht mit Aluminiumfolie oder sonstiger im Handel erhältlicher Einmalschutzfolie auskleiden.

Gerät die Aluminiumfolie oder sonstige Schutzfolie mit der heißen Emaille in Berührung, so kann sie schmelzen und die Qualität der Backofenbeschichtung beeinträchtigen. Es wird empfohlen, den Backofen nicht bei sehr hohen Temperaturen zu betreiben, um eine übermäßige Verschmutzung und unangenehme Rauch- und Geruchsentwicklung zu vermeiden. Es ist besser, bei niedrigerer Temperatur die Garzeit zu erhöhen. Zusätzlich zum mitgelieferten Zubehör sollten nur temperatur- und hitzebeständige Backformen und ofenfestes Geschirr verwendet werden.

Einbau und Installation

Der Hersteller ist nicht zur Installation verpflichtet. Wird das Eingreifen des Hersteller erforderlich, um Fehler zu beheben, die aus einer falschen Installation hervorgehen, so erfolgt dieses nicht im Rahmen der Gewährleistungsgarantie. Die Installationsanweisungen für qualifiziertes Fachpersonal müssen befolgt werden. Eine falsche Installation kann Personen- oder Sachschäden hervorrufen. Für derartige Schäden oder Verletzungen übernimmt der Hersteller keine Haftung. Der Backofen kann oben in einem Einbauschränk oder unter der Arbeitsfläche eingebaut werden. Vor dem Fixieren muss gewährleistet sein, dass im Backofenraum genügend Fischluft zirkulieren kann, um die Kühlung und den Schutz der innenliegenden Teile zu gewährleisten. Je nach Einbauart die auf der letzten Seite angegebenen Öffnungen vornehmen.

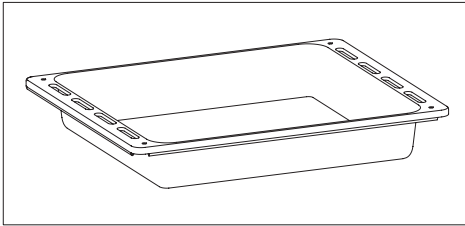
Produktbeschreibung



1. Bedienfeld
2. Einschubpositionen (Seitengitter falls enthalten)
3. Gitter
4. Bleche
5. Ventilator (falls vorhanden)
6. Backofentür
7. Seitengitter (sofern vorhanden: nur für Öfen mit flachem Innenraum)
8. **Seriennummer**

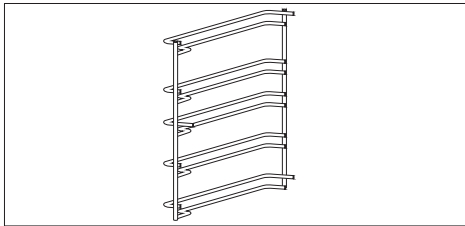
ZUBEHÖR

Fettfanne



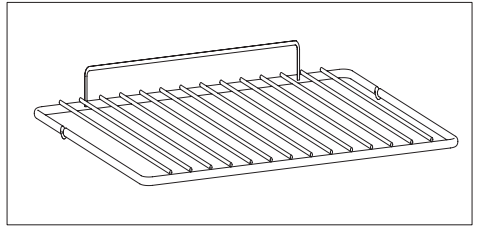
Fängt die beim Grillen von Lebensmitteln austretende Flüssigkeit auf.

Seitliche Drahtgitter (nur falls vorhanden)



Befindet sich an beiden Seiten des Ofens und hält Metallroste und Fettfannen.

Metallrost



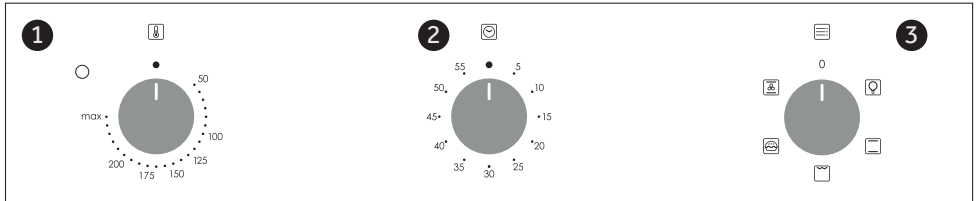
Hält Auflauf- und Backformen.

Erste Inbetriebnahme

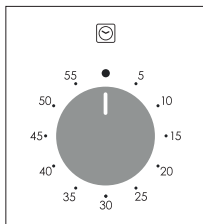
ERSTE REINIGUNG

Den Backofen vor der ersten Inbetriebnahme reinigen. Die Außenflächen mit einem feuchten, weichen Tuch abwischen. Alle Zubehörteile spülen und den Backofen innen mit warmem Spülwasser auswischen. Den leeren Backofen auf die Höchsttemperatur einstellen und etwa eine Stunde lang anlassen, damit der neue Geruch verfliegt.

Betrieb des Backofens








1. Wahlschalter für Temperatur
2. Garzeit
3. Wahlschalter für Betriebsarten



Um den Minutenzähler einzustellen, drehen Sie den Knopf einmal im Uhrzeigersinn um eine ganze Umdrehung bis zum Anschlag und stellen Sie diesen dann zurück auf die gewünschte Zeit.

Wenn die Zeit abgelaufen ist, ertönt einige Sekunden lang ein akustisches Signal.

Kochmodi

Fun- ktion	T °C stan- dard	T °C Bereich	Function
			LAMPE: Schaltet das Licht im Backofen an.
	220	50 ÷ MAX	* NATÜRLICHE KONVEKTION: Es kommt das obere und untere Heizelement zum Einsatz. Den Backofen etwa zehn Minuten lang vorheizen. Diese Methode eignet sich für alle herkömmlichen Brat- und Backrezepte. Für rotes Fleisch, Roastbeef, Lammkeulen, Wild, Folienrezepte, Blätterteig, Lebensmittel in feuerfestem Geschirr auf mittlerer Schiene garen.
	230	50 ÷ MAX	GRILL: Grill mit geschlossener Tür verwenden. Es wird nur das obere Heizelement verwendet und die Temperatur kann eingestellt werden. Damit die Heizelemente rot glühen ist eine Vorheizdauer von fünf Minuten erforderlich. Grillgerichte, Kebab und Gratin gelingen garantiert. Weißes Fleisch sollte mit Abstand zum Grill gegart werden; die Garzeit ist dann zwar länger, aber das Fleisch bleibt schön saftig. Rotes Fleisch und Fischfilet kann auf dem Rost mit der Fettpfanne darunter gegart werden.
	190	50 ÷ MAX	* COOK LIGHT: Diese Funktion ermöglicht es, gesünder zu kochen, indem sie den Bedarf an Fett oder Öl reduziert. Die Kombination von Heizelementen mit einem pulsierenden Luftzyklus sorgt für ein perfektes Garergebnis.
	180	50 ÷ MAX	MULTI-LEVEL: Diese Garmethode ist für die Zubereitung von Geflügel, Backwaren, Fisch und Gemüse zu empfehlen. Die Hitze gelangt besser in das Lebensmittel und die Dauer zum Garen und Vorheizen wird reduziert. Es lassen sich unterschiedliche Lebensmittel und Rezepte gleichzeitig und auf mehreren Garebenen zubereiten. Diese Garmethode sorgt für eine gleichmäßige Hitzeverteilung und Gerüche werden nicht vermischt. Wenn mehrere Gerichte gleichzeitig zubereitet werden, ist eine zusätzliche Gardauer von 10 Minuten erforderlich.

*Geprüft nach der EN 60350-1 für die Erklärung über den Energieverbrauch und die Angabe der Energieklasse

Reinigung und Wartung des Backofens

Die Lebensdauer des Geräts lässt sich durch eine regelmäßige Reinigung verlängern. Den Ofen vor der Reinigung abkühlen lassen. Keine Scheuermittel, Stahlwolle oder scharfkantige Gegenstände für die Reinigung verwenden, um die Emaillebeschichtung nicht zu beschädigen. Nur Wasser, Spülmittel oder Reinigungsmittel mit Bleiche (Ammoniak) verwenden.

BESTANDTEILE AUS GLAS

Es empfiehlt sich, die Glastür nach jeder Verwendung des Backofens mit einem saugfähigen Küchentuch zu reinigen. Hartnäckige Flecken können mit einem in Reinigungsmittel getränkten Schwamm gesäubert und mit klarem Wasser abgewaschen werden.

DICHTUNG OFENTÜR

Schmutzige Dichtungen mit einem leicht angefeuchteten Schwamm reinigen.

ZUBEHÖR

Zubehörteile mit einem feuchten Reinigungsschwamm säubern, abwaschen und abtrocknen. Keine Scheuermittel verwenden.

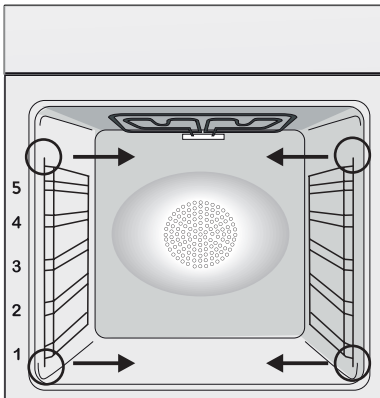
FETTPFANNE

Fettpfanne nach der Verwendung des Grills aus dem Ofen nehmen. Das heiße Fett abschütten (nicht in den Abfluss) und Fettpfanne mit heißem Wasser und Spülmittel reinigen. Hartnäckige Fettreste durch Einweichen in Spülwasser reinigen. Alternativ lässt sich die Fettpfanne auch in der Spülmaschine oder mit einem herkömmlichen Backofenreiniger säubern. Schmutzige Fettpfanne nicht wieder zurück in den Backofen schieben.

Allgemeine Reinigungshinweise

Drahtgestelle entfernen und reinigen

- 1- Entfernen Sie die Drahtgitter durch Ziehen in Pfeilrichtung (siehe unten).
- 2- Um die Drahtgitter zu reinigen, geben Sie sie entweder in die Geschirrspülmaschine oder verwenden Sie einen nassen Schwamm und trocknen Sie die Gitter anschließend gründlich ab.
- 3- Bringen Sie die Drahtgitter nach dem Reinigungsvorgang in umgekehrter Reihenfolge wieder an.



WECHSELN DER GLÜHBIRNE

1. Den Backofen von der Stromversorgung trennen.
2. Glasabdeckung abnehmen, Glühbirne herausschrauben und durch eine neue vom selben Typ ersetzen.
3. Nach dem Austausch der kaputten Glühbirne die Glasabdeckung wieder aufsetzen.

Dieses Produkt enthält eine oder mehrere Lichtquellen der Energieeffizienzklasse G (Lampe) /F (10 LED).

Entsorgung und umweltschutz



Dieses Elektrohaushaltsgerät ist in Einklang mit der EU-Richtlinie 2012/19/EU über Elektro- und Elektronik-Altgeräte (WEEE) gekennzeichnet. Elektro- und Elektronik-Altgeräte enthalten

umweltschädigende Substanzen, aber auch Grundkomponenten, die wiederverwendet werden können. Daher ist es wichtig, Elektro- und Elektronik-Altgeräte spezifisch zu entsorgen, um alle schädlichen Substanzen zu entfernen und wiederverwendbare Teile zu recyceln. Verbraucher leisten einen wichtigen Beitrag zur Gewährleistung, dass Elektro- und Elektronik-Altgeräte nicht zu einem Umweltproblem werden. Halten Sie sich daher bitte an die folgenden Grundregeln:

- Elektro- und Elektronik-Altgeräte dürfen nicht mit dem normalen Hausmüll entsorgt werden.
 - Elektro- und Elektronik-Altgeräte müssen bei zugelassenen Sammelstellen abgegeben werden, die von der Stadtverwaltung oder anderen zuständigen Stellen verwaltet werden.
- In vielen Ländern wird für die Entsorgung großer Elektro- und Elektronik-Altgeräte ein Abholservice angeboten. Beim Kauf eines

neuen Geräts wird das alte möglicherweise vom Händler zurückgenommen, der es kostenfrei entsorgt, sofern das neue Gerät von einem ähnlichen Typ ist und die gleiche Funktion erfüllt wie das Altgerät.

MASSNAHMEN ZUM STROMSPAREN UND UMWELTSCHUTZ

Sofern möglich, das Vorheizen des Backofens vermeiden und seine Kapazität voll ausnutzen. Die Backofentür so selten wie möglich öffnen, weil die Hitze aus dem Innenraum bei jedem Öffnen verloren geht.

Für eine deutliche Energieersparnis den Backofen 5-10 Minuten vor dem Ende der Garzeit ausschalten und mit der Restwärme zu Ende garen. Die Dichtungen sollten sauber und unversehrt bleiben, damit keine Hitze aus dem Inneren verloren geht. Falls Sie einen Stromversorgungsvertrag mit wechselndem Stundentarif haben, erleichtert das Programm der „verzögerten Startzeit“ das Stromsparen, indem der Anfang des Garvorgangs in die Zeit verschoben wird, wo der günstigere Stromtarif gilt.

Häufig gestellte fragen

Störung	Mögliche ursache	Lösung
der Backofen wird nicht heiß.	Die Uhr ist nicht eingestellt.	Uhr einstellen.
Der Backofen wird nicht heiß.	Die Kindersicherung ist eingeschaltet.	Kindersicherung deaktivieren.
Der Backofen wird nicht heiß.	Garfunktion und Temperatur wurden nicht eingestellt.	Prüfen, ob die nötigen Einstellungen richtig sind.

Resumo

- 75** Instruções de segurança
- 79** Indicações De Carácter Geral
- 81** Descrição do produto
- 82** Descrição do visor
- 83** Modos de cozedura
- 84** Limpeza e manutenção do forno
- 84** Manutenção
- 85** Resolução de problemas
- 99** Installation

Instruções de segurança

- Durante a cozedura, a humidade pode condensar no interior da cavidade do forno ou no vidro da porta. Esta é uma condição normal. Para reduzir este efeito, aguardar de 10 a 15 minutos, depois de ter ligado a energia, antes de colocar a comida dentro do forno. Em todo o caso, a condensação desaparece quando o forno atinge a temperatura de cozedura.
- Cozinhar os legumes num recipiente com tampa em vez de um tabuleiro aberto.
- Evitar deixar alimentos dentro do forno, depois de cozinhados, por um período superior a 15/20 minutos.
- AVISO: o aparelho e as partes acessíveis estão quentes durante a utilização. Cuidado para não tocar nas partes quentes.
- AVISO: as peças acessíveis podem ficar quentes quando o forno está a ser utilizado. As crianças pequenas devem ser mantidas a uma distância segura.
- AVISO: Desligue o aparelho da alimentação elétrica de rede antes de realizar qualquer manutenção de rotina.
- AVISO: para evitar qualquer perigo causado pela reinicialização acidental do dispositivo de interrupção térmica, o aparelho não deve ser alimentado por um dispositivo de comutação externo, como por ex. um temporizador, ou ser ligado a um circuito que é regularmente ligado e desligado.
- Crianças com menos de 8 anos e sem supervisão contínua, devem ser mantidas a uma distância de segurança do aparelho,
- As crianças não devem brincar com o eletrodoméstico. O aparelho pode ser utilizado por pessoas com mais de 8 anos de idade e por pessoas com capacidades físicas, sensoriais ou mentais limitadas, sem experiência ou conhecimento do produto, apenas se supervisionadas ou se conhecedoras das instruções sobre a operação do aparelho de forma segura e se conscientes dos possíveis riscos.

- A limpeza e a manutenção não devem ser realizadas por crianças não supervisionadas.
- Não use materiais ásperos ou abrasivos ou raspadores metálicos afiados para limpar o vidro da porta do forno, pois podem arranhar a superfície e fazer com que o vidro se parta.
- O forno deve ser desligado antes de retirar as peças amovíveis.
- Depois da limpeza, volte a montar de acordo com as instruções.
- Use apenas a sonda de carne recomendada para este forno.
- Não utilize um dispositivo de limpeza a vapor ou de alta pressão para operações de limpeza.
- Se o forno for fornecido pelo fabricante sem ficha:
O ELETRODOMÉSTICO NÃO DEVE ESTAR CONECTADO À FONTE DE ALIMENTAÇÃO ATRAVÉS DE FICHAS OU TOMADAS, MAS DEVE ESTAR DIRETAMENTE CONECTADO À REDE ELÉTRICA. A ligação à fonte de alimentação deve ser efetuada por um profissional devidamente qualificado. Por forma a ter uma instalação em conformidade com a legislação de segurança em vigor, o forno deve ser ligado colocando apenas um disjuntor omnipolar, com separação de contacto em conformidade com os requisitos para a categoria III de sobretensão, entre o eletrodoméstico e a fonte de alimentação. O disjuntor omnipolar deve suportar a carga máxima conectada e estar em conformidade com a legislação vigente. O cabo de terra amarelo-verde não deve ser interrompido pelo disjuntor. O disjuntor omnipolar utilizado para a conexão deve estar facilmente acessível quando o eletrodoméstico está instalado. A ligação à fonte de alimentação deve ser efetuada por um profissional devidamente qualificado, tendo em conta a polaridade do forno e da fonte de alimentação. A desconexão pode ser obtida incorporando um interruptor na cablagem fixa de acordo com as regras de colocação de cablagem.
- Se o forno for fornecido pelo fabricante com ficha:
TA tomada deve ser adequada para a carga indicada na etiqueta e deve ter o contacto com a terra ligado e em funciona-

mento. O condutor de terra tem uma cor amarelo-verde. Esta operação deve ser efetuada por um profissional com qualificação adequada. No caso de incompatibilidade entre a tomada e a ficha do aparelho, peça a um electricista qualificado para substituir a tomada por outra de tipo adequado. A tomada e a ficha devem estar em conformidade com as normas atuais do país instalação. A ligação à fonte de alimentação também pode ser feita colocando um disjuntor omipolar, com separação de contacto em conformidade com os requisitos para a categoria III de sobretensão, entre o aparelho e a fonte de alimentação que pode suportar a carga máxima conectada e que está em conformidade com a legislação vigente. O cabo de terra amarelo-verde não deve ser interrompido pelo disjuntor. A tomada ou disjuntor omipolar utilizados para a conexão deve ser facilmente acessível quando o eletrodoméstico está instalado. A desconexão pode ser obtida tendo a ficha acessível ou incorporando um interruptor na cablagem fixa de acordo com as regras de colocação de cablagem.

- Se o cabo de potência estiver danificado, deve ser substituído por outro cabo igual disponível diretamente no fabricante ou contactando o departamento de serviço ao cliente.
- O cabo de potência deve ser do tipo H05V2V2-F.
- Esta operação deve ser realizada por um profissional qualificado. O condutor de terra (amarelo-verde) deve ser aproximadamente 10 mm mais comprido do que os restantes condutores. Para qualquer reparação, consulte apenas o Departamento de Serviço ao Cliente e solicite o uso de peças originais.
- O não cumprimento das indicações acima pode comprometer a segurança do aparelho e anular a garantia.
- Todos os excessos ou materiais derramados devem ser removidos antes de limpar o aparelho.
- Uma falha de corrente prolongada quando o forno está a funcionar pode provocar no mau funcionamento do monitor. Neste caso, deve contactar o serviço ao cliente.

- O aparelho não deve ser instalado atrás de uma porta decorativa para evitar sobreaquecimento.
- Quando colocar a prateleira no interior, certifique-se que o batente está colocado para cima e na parte de trás da cavidade. A prateleira deve ser inserida completamente na cavidade.
- Não utilize um dispositivo de limpeza a vapor ou de alta pressão para operações de limpeza.
- AVISO: Não forre as paredes do forno com película de alumínio ou proteção de uso único disponível nas lojas. A película de alumínio ou qualquer outra proteção, em contacto direto com o esmalte quente, pode derreter e deteriorar o esmalte do interior.
- AVISO: Não remover nunca o vedante da porta do forno.
- CUIDADO: Não encha novamente o fundo da cavidade com água durante a cozedura ou quando o forno estiver quente.
- Não é requerida nenhuma operação / configuração adicional para operar o aparelho nas frequências nominais.
- O forno pode ser montado num local alto numa coluna ou sob uma bancada. Antes de o fixar, deve assegurar uma boa ventilação no espaço do forno para proporcionar a circulação adequada de ar fresco necessária para a refrigeração e proteção das peças internas. Faça as aberturas especificadas na última página de acordo com o tipo de instalação.
- Para um uso correto do forno, é aconselhável não colocar o alimento em contato direto com os suportes e os tabuleiros, mas usar papel de forno e/ou recipientes especiais.

Indicações De Carácter Geral

Obrigado por ter optado por um dos nossos produtos. Para tirar o maior proveito possível do seu forno, recomendamos que:

Leia atentamente este manual de instruções de utilização; ele contém instruções importantes sobre a instalação, a utilização e a manutenção seguras deste forno.

Mantenha este manual de instruções à mão, num local seguro, para o poder consultar sempre que necessário.

Quando o forno for ligado pela primeira vez, ele poderá emitir fumo com um cheiro acre. Isto fica a dever-se ao facto de o agente aglutinante dos painéis de isolamento existentes à volta do forno ter sido aquecido pela primeira vez. Trata-se de um facto absolutamente normal; se ele ocorrer, terá apenas de esperar que o fumo se dissipe antes de introduzir os alimentos no forno. Devido à sua natureza, um forno aquece muito, em especial a sua porta de vidro.

Indicações de segurança

Usar o forno apenas para o fim previsto, ou seja, apenas para cozinhar alimentos; qualquer outro uso, como por exemplo fonte de calor, é considerado inadequado e, por isso, perigoso. O fabricante não se responsabiliza por qualquer risco que seja resultado de uma utilização inadequada, incorreta ou injustificada. A utilização de qualquer equipamento elétrico implica o cumprimento de algumas regras fundamentais como:

- Não puxar pelo cabo elétrico para desligar a ficha do equipamento da tomada;
 - Não tocar no equipamento com as mãos ou os pés húmidos ou molhados;
 - Regra geral, não é recomendado o uso de adaptadores, diversas tomadas e cabos de extensão;
- No caso de avaria e/ou mau funcionamento, deve desligar o equipamento e não manipular o mesmo.

Electrical Safety

ASSEGURE-SE DE AS LIGAÇÕES ELÉTRICAS SÃO REALIZADAS POR UM ELETRICISTA QUALIFICADO.

A alimentação elétrica do forno deve ser ligada em conformidade com as regulamentações em vigor no país da instalação. O fabricante não se responsabiliza por quaisquer danos resultantes do não cumprimento destas instruções. Dependendo das regulamentações em vigor no país de instalação, o forno deve ser ligado à alimentação elétrica através de uma tomada de parede com terra ou de um seccionador com múltiplos polos. A alimentação elétrica deve ser protegida com os fusíveis adequados e os cabos usados devem ter uma secção transversal que assegure a alimentação correta ao forno.

LIGAÇÃO

O forno vem equipado com um cabo elétrico que deve ser ligado apenas a uma tomada elétrica com 220-240 VCA de potência entre fases ou entre a fase e o neutro. Antes do forno ser ligado à alimentação elétrica, é importante verificar:

- A tensão indicada no medidor;
- A configuração do seccionador.

O cabo de ligação à terra ligado ao terminal de terra do forno deve ser ligado ao terminal de terra da alimentação elétrica.

AVISO

Antes de ligar o forno à alimentação elétrica, solicite a um electricista qualificado para verificar a continuidade do terminal de terra da rede de alimentação. O fabricante não se responsabiliza por quaisquer acidentes ou outros problemas resultantes do não cumprimento das instruções de ligação do forno ao terminal de terra ou por uma ligação com uma continuidade deficiente.

NOTA: dado que o forno pode requerer trabalho de manutenção, é recomendado manter uma outra tomada de parede disponível onde o forno possa ser ligado caso seja necessário retirá-lo do local de instalação. O cabo elétrico deve ser substituído apenas por um membro da nossa equipa técnica ou por um técnico qualificado e habilitado para o fazer.

Recomendações

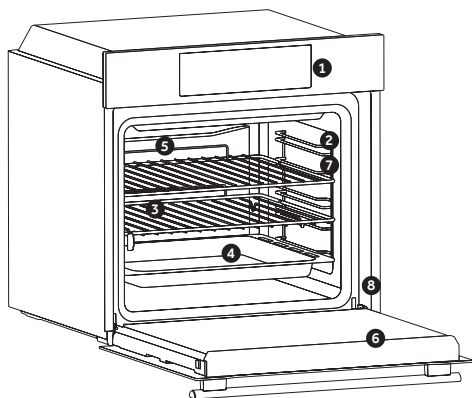
Após cada utilização do forno, deve ser realizada uma limpeza mínima para ajudar a manter o forno perfeitamente limpo. Não revestir as paredes do forno com papel alumínio ou com proteções de utilização única disponíveis no mercado. O papel de alumínio ou qualquer outra proteção, em contacto direto com o esmalte quente, pode derreter e/ou deteriorar a superfície de esmalte no interior do forno. Para evitar o excesso de sujidade do seu forno e da libertação de cheiros e fumos forte, recomendamos não usar o forno a temperaturas muito elevadas. É preferível aumentar o tempo de cozedura e diminuir a temperatura do forno. Além dos acessórios fornecidos com o forno, recomendamos a utilização de pratos e formas de cozedura resistentes a altas temperaturas..

Instalação

Os fabricantes não são obrigados a realizar a instalação do equipamento. Se for requerida a assistência do fabricante para reparações de avarias resultantes da instalação incorreta do equipamento, esta assistência não está abrangida pela garantia. As instruções de instalação para profissionais qualificados devem ser cumpridas. Uma instalação incorreta pode provocar ferimentos em pessoas ou animais ou danos na propriedade. O fabricante não pode ser responsabilizado por este tipo de danos ou ferimentos.

O forno pode ser instalado numa coluna ou sob um balcão. Antes de fixar o equipamento, é necessário assegurar boa ventilação no espaço destinado ao forno para permitir a circulação adequada de ar fresco, requerido para arrefecimento e proteção das partes internas do equipamento. Fazer os furos indicados na última página, de acordo com o tipo de configuração.

Descrição do produto

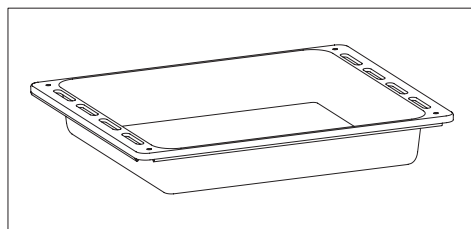


1. Painel de controle
2. Posições de prateleira (grelha de arame lateral, se incluída)
3. Grades
4. Tabuleiros
5. Ventilador (se presente)
6. Porta do forno
7. Grades de arame laterais (se presentes: apenas para cavidade plana)

8. Número de série

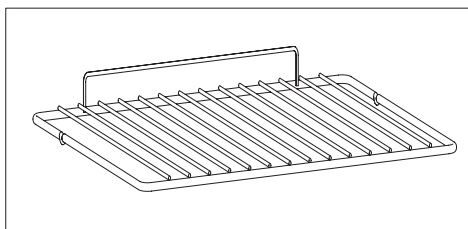
ACESSÓRIOS

Bandeja de recolha de pingos



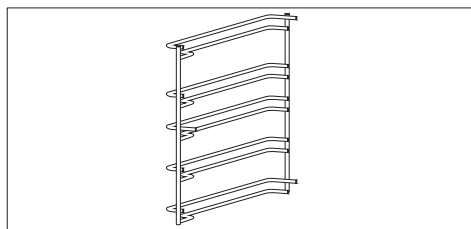
Recolhe os resíduos que pingam durante a cozedura de alimentos sobre as grelhas.

Grade metálica



Suporta as bandejas e os pratos de cozedura.

Grades de arame laterais



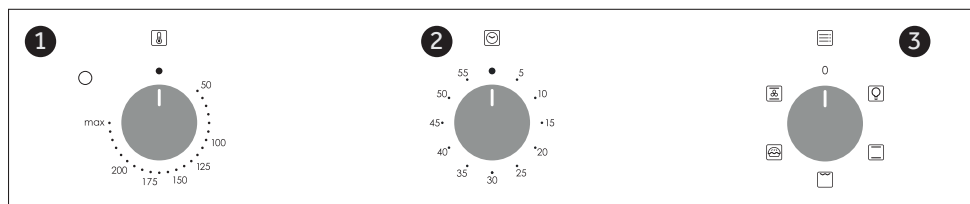
Localizado em ambos os lados da cavidade do forno, possui grelhas metálicas e bandejas para pingos.

Primeira utilização

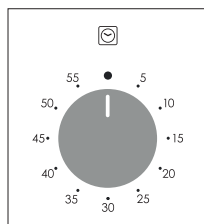
LIMPEZA PRELIMINAR

Limpar o forno antes de usar pela primeira vez. Limpar todas as superfícies exteriores com um pano suave húmido. Lavar todos os acessórios e limpar o interior do forno com uma solução de água quente e líquido de limpeza. Ligar o forno vazio à temperatura máxima e deixar ligado durante 1 hora para remover qualquer tipo de odor persistente.

Descrição do visor








1. Botão seletor do termostato
2. tempo de cozimento
3. Botão seletor de funções



Para definir o tempo de cozimento, gire o botão uma volta completa e depois posicione o índice no tempo desejado. Quando o tempo tiver decorrido, o sinal tocará por alguns segundos.

Modos de cozedura

Indicador de função	T °C predef.	T °C intervalo	Função
			LUZ: Acende a luz do forno
	220	50 ÷ MAX	* ESTÁTICO: Utilizam-se os elementos de aquecimento superiores e inferiores. Pré-aqueça o forno durante cerca de dez minutos. Este método é ideal para cozer e assar de forma tradicional. Para cozer ou assar carne vermelha, rosbife, perna de borrego, carne de caça, pão, alimentos embrulhados em papelotes, folhados. Colocar os alimentos e o respetivo prato numa prateleira na posição intermédia
	230	50 ÷ MAX	GRILL: Utilizar o grill com a porta fechada. O elemento de aquecimento superior é utilizado individualmente e a temperatura pode ser ajustada. É necessário um pré-aquecimento de cinco minutos para que os elementos fiquem incandescentes. O sucesso é garantido para grelhados, espetadas e gratinados. As carnes brancas devem estar afastadas da grelha; o tempo de cozedura é mais longo, mas a carne fica mais saborosa. É possível colocar carnes vermelhas e filetes de peixe na prateleira com o tabuleiro de molho por baixo.
	190	50 ÷ MAX	* COOK LIGHT: Esta função permite cozinhar de forma saudável, reduzindo a quantidade de gordura ou óleo necessária. A combinação de elementos de aquecimento com um ciclo pulsante de ar garante um resultado de cozedura perfeito.
	180	50 ÷ MAX	MÚLTIPLOS NÍVEIS: É recomendável utilizar este método para aves, produtos de pastelaria, peixe e vegetais. O calor penetra melhor nos alimentos e os tempos de cozedura e pré-aquecimento são reduzidos. É possível cozinhar alimentos diferentes em simultâneo com ou sem a mesma preparação numa ou mais posições. Este método de cozedura consiste numa distribuição uniforme do calor e os odores não se misturam. Aguardar mais dez minutos ao cozinhar vários alimentos em simultâneo.

*Testado de acordo com a EN 60350-1 para fins de declaração de consumo de energia e de classe energética.

Limpeza e manutenção do forno

O ciclo de vida do equipamento pode ser aumentado com a limpeza regular do mesmo. Aguardar que o forno arrefeça antes de realizar algum tipo de operação de limpeza manual. Não usar detergentes abrasivos, esfregões de aço ou objetos afiados na limpeza, para não danificar as partes esmaltadas. Usar apenas água, sabão ou detergentes com base de lixívia (amoníaco).

PARTES EM VIDRO

É recomendado limpar a janela em vidro com papel de cozinha absorvente após todas as utilizações. Para remover manchas mais incrustadas, usar uma esponja embebida em detergente bem torcida e depois enxaguar com água.

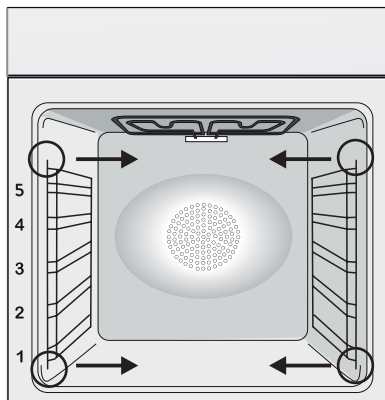
VEDANTE DO VIDRO DO FORNO

Quando sujo, o vedante deve ser limpo com uma esponja humedecida.

Manutenção

REMOÇÃO E LIMPEZA DOS SUPORTES LATERAIS

- 1-Remover os suportes laterais puxando-os no sentido das setas (ver abaixo)
- 2-Para limpar os suportes laterais, coloque-os na máquina de lavar loiça ou use uma esponja molhada, garantindo que as mesmas ficam bem secas.
- 3- Após a limpeza, instale os suportes pela ordem inversa.



SUBSTITUIR A LÂMPADA

1. Desligar o forno da alimentação.
2. Desapertar a tampa de vidro, desenroscar a lâmpada e substituir por uma nova do mesmo tipo.
3. Depois de substituída a lâmpada danificada, substituir a tampa de vidro.

Este produto contém uma ou mais fontes de luz de classe de eficiência energética G (Lâmpada) /F (10 Leds).

ACESSÓRIOS

Limpar os acessórios com uma esponja húmida e embebida em detergente e enxaguar os mesmos com água limpa; evitar o uso de detergentes abrasivos.

TABULEIRO DE MOLHO

Depois de usar a grelha, remover o tabuleiro do forno. Despejar a gordura quente para um recipiente e lavar o tabuleiro com água quente, usando uma esponja e líquido lava-loiça.

Se ainda ficarem resíduos de gordura, deixar o tabuleiro mergulhado em água e detergente. Em alternativa, é possível lavar o tabuleiro na máquina de lavar loiça ou usar um detergente apropriado para limpeza de fornos. Nunca colocar ou deixar o tabuleiro sujo no forno.

Gestão de resíduos e gestão ambiental protecção



Este aparelho está classificado de acordo com a Diretiva Europeia 2012/19/UE relativa aos Resíduos de Equipamentos Elétricos e Eletrónicos (REEE).

Os REEE incluem substâncias poluentes (que podem provo-

car consequências negativas no meio ambiente) e componentes básicos (que podem ser reutilizados). É importante que os REEE sejam submetidos a tratamentos específicos, a fim de remover e eliminar corretamente todos os poluentes e recuperar e reciclar todos os materiais.

Os cidadãos individualmente podem desempenhar um papel importante no sentido de garantir que os REEE não se tornam num problema ambiental; é essencial seguir algumas regras básicas:

- Os REEE não devem ser tratados como lixo doméstico.
- Os REEE deverão ser entregues nos pontos de recolha relevantes geridos pelo município ou por empresas registadas. Em muitos países, no caso de grande REEE, poderão ex-

istir serviços de recolha ao domicílio.

- quando compra um novo aparelho, o antigo pode ser devolvido ao comerciante que terá a obrigação de o transportar gratuitamente numa base de um-para-um, desde que o equipamento seja de tipo equivalente e tenha as mesmas funções que o equipamento fornecido.

RESPEITA O AMBIENTE E POUPA ENERGIA

Sempre que possível, evite pré-aquecer o forno e tente sempre rentabilizá-lo, enchendo-o ao máximo. Abra a porta do forno o menos possível, porque isso faz dispersar o calor. Para uma economia significativa de energia, desligue o forno entre 5 a 10 minutos antes do tempo de cozedura previsto para a receita e aproveite o calor residual que o forno continua a gerar. Mantenha as borrachas de vedação limpas e funcionais para evitar qualquer dispersão de calor para fora da cavidade do forno. Se tem um contrato eléctrico com tarifa bi-horária, utilize o início diferido para começar a cozinhar no horário de tarifa reduzida.

Resolução de problemas

Problema	Possível Causa	Solução
O forno não aquece	O relógio não funciona	Configurar o relógio
O forno não aquece	O bloqueio de crianças	Desativar o bloqueio de crianças
O forno não aquece	Não foi configurada uma função de cozedura e uma temperatura	Assegurar-se de que as configurações necessárias estão corretas

- 87** Ενδείξεις ασφαλείας
- 92** Γενικές οδηγίες
- 94** Περιγραφή προϊόντος
- 95** Περιγραφή πίνακα ελέγχου
- 96** Τρόποι λειτουργίας ψησίματος
- 97** Καθαρισμός και συντήρηση φούρνου
- 97** Συντήρηση
- 98** Αντιμετώπιση προβλημάτων
- 99** Installation

Ενδείξεις ασφαλείας

- Κατά την διάρκεια του μαγειρέματος, μπορεί να συμπυκνωθεί υγρασία μέσα στον θάλαμο του φούρνου ή επάνω στο τζάμι της πόρτας. Αυτό είναι ένα φυσιολογικό φαινόμενο. Για να μειώσετε το φαινόμενο αυτό, περιμένετε 10-15 λεπτά μετά από το άναμμα του φούρνου πριν βάλετε τρόφιμα μέσα στον φούρνο. Σε κάθε περίπτωση, η συμπύκνωση εξαφανίζεται όταν φτάσει ο φούρνος σε θερμοκρασία μαγειρέματος.
- Μαγειρέψτε τα λαχανικά μέσα σε ένα σκεύος με καπάκι αντί σε έναν ανοιχτό δίσκο.
- Αποφύγετε να αφήνετε τρόφιμα μέσα στον φούρνο αφού τα έχετε μαγειρέψει για περισσότερο από 15/20 λεπτά.
- ΠΡΟΕΙΔΟΠΟΙΗΣΗ: η συσκευή και τα προσβάσιμα τμήματα θερμαίνονται πολύ κατά την διάρκεια της χρήσης. Προσέξτε να μην ακουμπήσετε οποιαδήποτε θερμά τμήματα.
- ΠΡΟΕΙΔΟΠΟΙΗΣΗ: τα προσβάσιμα μέρη μπορεί να ζεσταθούν όταν χρησιμοποιείται ο φούρνος. Τα μικρά παιδιά πρέπει να παραμένουν πάντοτε σε απόσταση ασφαλείας.
- ΠΡΟΕΙΔΟΠΟΙΗΣΗ: Αποσυνδέστε οπωσδήποτε τη συσκευή από την παροχή ρεύματος πριν πραγματοποιήσετε την οποιαδήποτε εργασία ή συντήρηση.
- ΠΡΟΕΙΔΟΠΟΙΗΣΗ: για να αποφύγετε οποιοδήποτε κίνδυνο μπορεί να προκληθεί από την ακούσια επαναφορά της θερμικής ασφάλειας, η συσκευή δεν πρέπει να τροφοδοτείται από ενός εξωτερικό διακόπτη ελέγχου, όπως ένας χρονοδιακόπτης, ή να συνδέεται σε ένα κύκλωμα το οποίο ενεργοποιείται και απενεργοποιείται τακτικά.
- Τα παιδιά κάτω των 8 ετών θα πρέπει να παραμένουν σε μία ασφαλή απόσταση από την συσκευή εάν δεν βρίσκονται υπό συνεχή επίβλεψη.
- Τα παιδιά δεν θα πρέπει να παίζουν με την συσκευή.
- Η συσκευή μπορεί να χρησιμοποιηθεί από εκείνους που έχουν ηλικία 8 ετών και άνω και από εκείνους που έχουν μειωμένες

σωματικές, αισθητηριακές ή διανοητικές ικανότητες, χωρίς εμπειρία ή γνώση του προϊόντος, μόνο εάν επιβλέπονται ή τους έχουν δοθεί οδηγίες σχετικά με την λειτουργία της συσκευής, με ένα ασφαλή τρόπο και με επίγνωση των πιθανών κινδύνων.

- Ο καθαρισμός και η συντήρηση δεν θα πρέπει να εκτελείται από παιδιά χωρίς επίβλεψη.
- Μην χρησιμοποιείτε άγρια ή λειαντικά υλικά ή αιχμηρές μεταλλικές ξύστρες για να καθαρίσετε τα τζάμια της πόρτας του φούρνου, γιατί μπορεί να γρατζουνίσουν την επιφάνεια και να προκαλέσουν θάμπωμα του τζαμιού.
- Ο φούρνος πρέπει να έχει σβήσει πριν βγάλετε τα αφαιρούμενα μέρη. Μετά τον καθαρισμό συναρμολογείστε και πάλι σύμφωνα με τις οδηγίες.
- Χρησιμοποιείτε μόνο τον αισθητήρα κρέατος που συνιστάται για αυτό τον φούρνο.
- Μη χρησιμοποιείτε ατμοκαθαριστή ή σπρέι υψηλής πίεσης για τις εργασίες καθαρισμού.
- ΣΕ ΠΕΡΙΠΤΩΣΗ ΠΟΥ Ο ΦΟΨΡΝΟΣ ΠΑΡΈΧΕΤΑΙ ΑΠΌ ΤΟΝ ΚΑΤΑΣΚΕΥΑΣΤΉ ΧΩΡΊΣ ΒΎΣΜΑ:

Η ΣΥΣΚΕΥΉ ΔΕΝ ΠΡΈΠΕΙ ΝΑ ΕΊΝΑΙ ΣΥΝΔΕΔΕΜΈΝΗ ΜΕ ΤΗΝ ΠΗΓΉ ΤΡΟΦΟΔΟΣΊΑΣ ΧΡΗΣΙΜΟΠΟΊΩΝΤΑΣ ΒΎΣΜΑ Ή ΠΡΊΖΕΣ, ΑΛΛΆ ΠΡΈΠΕΙ ΝΑ ΕΊΝΑΙ ΑΠΕΥΘΕΊΑΣ ΣΥΝΔΕΔΕΜΈΝΗ ΜΕ ΤΗΝ ΠΑΡΟΧΉ ΡΕΎΜΑΤΟΣ. Η σύνδεση με την πηγή τροφοδοσίας πρέπει να πραγματοποιείται από επαγγελματία με τα κατάλληλα προσόντα. Προκειμένου να υπάρχει εγκατάσταση σύμφωνη με την ισχύουσα νομοθεσία για την ασφάλεια, ο φούρνος πρέπει να συνδέεται μόνο τοποθετώντας έναν ασφαλειοδιακόπτη μεταξύ της συσκευής και της πηγής τροφοδοσίας, με διαχωρισμό επαφής σύμφωνο με τις απαιτήσεις για την κατηγορία υπέρτασης III. Ο ασφαλειοδιακόπτης πρέπει να φέρει το μέγιστο συνδεδεμένο φορτίο και να συμμορφώνεται με την ισχύουσα νομοθεσία. Το κίτρινο-πράσινο καλώδιο γείωσης

δεν πρέπει να διακόπτεται από τον ασφαλειοδιακόπτη. Ο ασφαλειοδιακόπτης που χρησιμοποιείται για τη σύνδεση πρέπει να είναι εύκολα προσβάσιμος όταν έχει τοποθετηθεί η συσκευή στη θέση της.

Η σύνδεση με την πηγή τροφοδοσίας πρέπει να πραγματοποιείται από επαγγελματία με τα κατάλληλα προσόντα, λαμβάνοντας υπόψη την πολικότητα του φούρνου και της πηγής τροφοδοσίας.

Η αποσύνδεση πρέπει να επιτυγχάνεται ενσωματώνοντας ένα διακόπτη στη σταθερή καλωδίωση σύμφωνα με τους κανόνες καλωδίωσης

- **ΑΝ Ο ΦΟΪΡΝΟΣ ΠΑΡΈΧΕΤΑΙ ΑΠΟ ΤΟΝ ΚΑΤΑΣΚΕΥΑΣΤΉ ΜΕ ΒΎΣΜΑ:**

Η πρίζα πρέπει να είναι κατάλληλη για το φορτίο που αναγράφεται στην ετικέτα και πρέπει να έχει επαφή γείωσης συνδεδεμένη και σε λειτουργία. Ο αγωγός της γείωσης έχει κίτρινο-πράσινο χρώμα. Αυτή η εργασία θα πρέπει να εκτελείται από πιστοποιημένο επαγγελματία. Σε περίπτωση ασυμβατότητας μεταξύ της πρίζας και του φικς της πρίζας της συσκευής, ζητήστε από έναν πιστοποιημένο ηλεκτρολόγο να αντικαταστήσει την πρίζα με μία άλλη κατάλληλου τύπου. Το φικς και η πρίζα πρέπει να συμμορφώνονται με τους ισχύοντες κανόνες της χώρας εγκατάστασης. Η σύνδεση στην πηγή τροφοδοσίας μπορεί επίσης να γίνει τοποθετώντας έναν πολυπολικό ασφαλειοδιακόπτη μεταξύ της συσκευής και της πηγής τροφοδοσίας, ο οποίος να μπορεί να αντέξει το μέγιστο συνδεδεμένο φορτίο και να είναι σύμφωνος με την ισχύουσα νομοθεσία. Το κίτρινο-πράσινο καλώδιο γείωσης δεν πρέπει να διακόπτεται από τον ασφαλειοδιακόπτη. Η πρίζα ή ο ασφαλειοδιακόπτης που χρησιμοποιείται για τη σύνδεση θα πρέπει να είναι εύκολα προσβάσιμος όταν έχει τοποθετηθεί η συσκευή στη θέση της.

Η αποσύνδεση μπορεί να επιτευχθεί έχοντας πρόσβαση στο φικς ή ενσωματώνοντας έναν διακόπτη στην σταθερή

- καλωδίωση σύμφωνα με τους κανόνες καλωδίωσης.
- Εάν έχει πάθει ζημιά το καλώδιο τροφοδοσίας του ρεύματος, θα πρέπει να αντικαθίσταται με ένα καλώδιο ή μία ειδική δέσμη διαθέσιμη από τον κατασκευαστή ή επικοινωνώντας με την υπηρεσία τεχνικής εξυπηρέτησης. Ο τύπος του καλωδίου τροφοδοσίας πρέπει να είναι H05V2V2-F. Αυτή η εργασία θα πρέπει να εκτελείται από πιστοποιημένο επαγγελματία. Ο αγωγός της γείωσης (κίτρινο-πράσινο) πρέπει να είναι μακρύτερος κατά περίπου 10 mm από τους άλλους αγωγούς. Για οποιεσδήποτε επισκευές, συμβουλευθείτε μόνο το τμήμα εξυπηρέτησης πελατών και ζητήστε την χρήση γνήσιων ανταλλακτικών.
 - Η αδυναμία συμμόρφωσης με τα ανωτέρω μπορεί να θέσει σε κίνδυνο την ασφάλεια της συσκευής και να ακυρώσει την εγγύηση.
 - Οποιοδήποτε υλικό που έχει χυθεί και περισσεύει θα πρέπει να αφαιρείται πριν από τον καθαρισμό.
 - Μία παρατεταμένη διακοπή της τροφοδοσίας του ρεύματος που εμφανίζεται κατά τη διάρκεια της φάσης μαγειρέματος μπορεί να προκαλέσει δυσλειτουργία της οθόνης. Σε αυτή την περίπτωση επικοινωνήστε με την υπηρεσία εξυπηρέτησης πελατών.
 - Η συσκευή δεν πρέπει να τοποθετείται πίσω από μια διακοσμητική πόρτα για να αποφευχθεί η υπερθέρμανση.
 - Όταν τοποθετείτε το ράφι στο εσωτερικό, βεβαιωθείτε ότι το τέρμα είναι στραμμένο προς τα επάνω και στο πίσω μέρος της κοιλότητας. Το ράφι πρέπει να μπει τελείως μέσα στην κοιλότητα.
 - Όταν τοποθετείτε τον δίσκο πλέγματος προσέξτε ότι πρέπει η αντιολισθητική άκρη του να είναι τοποθετημένη προς τα πίσω και προς τα επάνω.
 - ΠΡΟΕΙΔΟΠΟΙΗΣΗ: Μην σκεπάζετε τα τοιχώματα του φούρνου με αλουμινόχαρτο ή προστατευτικά μίας χρήσης που διατίθενται από τα καταστήματα. Το αλουμινόχαρτο

- ή οποιοδήποτε άλλο προστατευτικό, όταν είναι σε άμεση επαφή με το θερμό σμάλτο, υπάρχει κίνδυνος να λιώσει και να καταστρέψει το σμάλτο των εσωτερικών τοιχωμάτων.
- ΠΡΟΕΙΔΟΠΟΙΗΣΗ: Ποτέ μην αφαιρείτε το λάστιχο της πόρτας του φούρνου.
 - ΠΡΟΣΟΧΗ: Μην ξαναγεμίζετε το κάτω μέρος της κοιλότητας με νερό κατά τη διάρκεια του μαγειρέματος ή όταν ο φούρνος είναι ζεστός.
 - Δεν απαιτείται καμία πρόσθετη ενέργεια/ρύθμιση για τη λειτουργία της συσκευής στις ονομαστικές συχνότητες.
 - Ο φούρνος μπορεί να βρίσκεται ψηλά επάνω σε μια (υψηλή) βάση ή κάτω από τον πάγκο εργασίας. Πριν από τη στερέωση και σταθεροποίηση, πρέπει να εξασφαλίσετε καλό αερισμό στον χώρο του φούρνου ώστε να επιτρέπεται η σωστή κυκλοφορία του φρέσκου αέρα που απαιτείται για την ψύξη και την προστασία των εσωτερικών μερών. Δημιουργήστε τα αντίστοιχα ανοίγματα που αναφέρονται στην τελευταία σελίδα ανάλογα με τον τύπο της τοποθέτησης.
 - Για την πιο σωστή χρήση του φούρνου, καλό είναι να μην έρχονται τα τρόφιμα σε άμεση επαφή με τις σχάρες και τους δίσκους, αλλά να χρησιμοποιείτε τα ειδικά αντικολλητικά χαρτιά φούρνου ή/και ειδικά δοχεία.

Γενικές οδηγίες

Σας ευχαριστούμε που επιλέξατε ένα από τα προϊόντα μας. Πινα έχετε τα καλύτερα αποτελέσματα με τον φούρνο σας, θα πρέπει να διαβάσετε προσεκτικά αυτό το εγχειρίδιο οδηγιών χρήσης και να το φυλάξετε για μελλοντική αναφορά. Πριν τοποθετήσετε τον φούρνο, σημειώστε τον σειριακό αριθμό έτσι ώστε να μπορείτε να τον δώσετε στο προσωπικό της υπηρεσίας εξυπηρέτησης πελατών εάν πρέπει να γίνει μία επισκευή. Αφού έχετε αφαιρέσει

τον φούρνο από την συσκευασία του, ελέγξτε ότι δεν έχει πάθει ζημιά κατά την διάρκεια της μεταφοράς. Εάν έχετε οποιαδήποτε αμφιβολία, μην χρησιμοποιήσετε τον φούρνο και επικοινωνήστε με ένα πιστοποιημένο τεχνικό για συμβουλές. Κρατήστε όλα τα υλικά της συσκευασίας (πλαστικές σακούλες, πολυστερίνες, καρφιά) μακριά από παιδιά. Όταν ανάβει ο φούρνος για πρώτη φορά, μπορεί να εμφανιστεί έντονος καπνός μαζί με μυρωδιά, ο οποίος προκαλείται από την κόλλα που υπάρχει επάνω στα μονωτικά πλαίσια που περιβάλλουν τον φούρνο τα οποία θερμαίνονται για πρώτη φορά. Αυτό είναι απολύτως φυσιολογικό και, εάν εμφανιστεί, θα πρέπει να περιμένετε να διαλυθεί ο καπνός πριν τοποθετήσετε φαγητό μέσα στον φούρνο. Ο κατασκευαστής δεν φέρει καμία απολύτως ευθύνη σε περίπτωση που δεν τηρούνται οι οδηγίες που περιέχονται σε αυτό το έγγραφο.

ΣΗΜΕΙΩΣΗ: οι λειτουργίες του φούρνου, οι ιδιότητες και τα αξεσουάρ που περιγράφονται σε αυτό το εγχειρίδιο θα διαφέρουν, ανάλογα με το μοντέλο που έχετε αγοράσει.

Ενδείξεις ασφαλείας

Використовуйте духовку лише за призначенням, а саме для приготування їжі. Будь-яке інше використання, наприклад, як джерела тепла, є неправильним та відповідно небезпечним. Виробник не несе відповідальності за будь-яку шкоду заподіяну внаслідок неправильного, невідповідного чи нерозумного використання приладу.

Використання будь-якого електричного приладу передбачає дотримання деяких фундаментальних правил:

- не тягніть кабель живлення, щоб витягнути вилку з розетки;
 - не торкайтеся приладу вологими чи мокрими руками або ногами;
 - як правило, не рекомендується використовувати адаптери, розгалужувачі та продовжувачі;
- у випадку несправності та/чи невідповідної роботи, вимкніть прилад і не намагайтеся відремонтувати його.

Ηλεκτρική ασφάλεια

ΣΙΓΟΥΡΕΥΤΕΙΤΕ ΟΤΙ ΟΛΕΣ ΟΙ ΗΛΕΚΤΡΙΚΕΣ ΣΥΝΔΕΣΕΙΣ ΓΙΝΟΝΤΑΙ ΑΠΟ ΕΝΑ ΗΛΕΚΤΡΟΛΟΓΟ Ή ΠΙΣΤΟΠΟΙΗΜΕΝΟ ΤΕΧΝΙΚΟ.

Το καλώδιο τροφοδοσίας με το οποίο συνδέεται ο φούρνος πρέπει να πληροί τις προϋποθέσεις της ισχύουσας νομοθεσίας στην χώρα τοποθέτησης. Ο κατασκευαστής δεν φέρει καμία απολύτως ευθύνη για τυχόν ζημιά που έχει προκληθεί από μη τήρηση αυτών των οδηγιών. Ο φούρνος πρέπει να είναι συνδεδεμένος σε μία παροχή ηλεκτρικού ρεύματος με γειωμένη πρίζα τοίχου ή ένα πολλαπλό ασφαλειοδιακόπτη, ανάλογα με την ισχύουσα νομοθεσία στην χώρα τοποθέτησης. Η τροφοδοσία του ηλεκτρικού ρεύματος θα πρέπει να προστατεύεται με κατάλληλες ασφάλειες και τα καλώδια που χρησιμοποιούνται πρέπει να έχουν διατομή η οποία να εγγυάται την σωστή τροφοδοσία του φούρνου.

ΣΥΝΔΕΣΗ

Ο φούρνος τροφοδοτείται με ένα καλώδιο τροφοδοσίας το οποίο θα πρέπει να είναι συνδεδεμένο μόνο με μία παροχή ηλεκτρικού ρεύματος με 220-240 Vac 50 Hz μεταξύ των φάσεων ή μεταξύ της φάσης και του ουδέτερου. Πριν συνδεθεί ο φούρνος με την παροχή ηλεκτρικού ρεύματος, είναι σημαντικό να ελέγξετε:

- την τάση που υποδεικνύεται επάνω στο όργανο μέτρησης,
- την ρύθμιση του ασφαλειοδιακόπτη.

Το καλώδιο της γείωσης που συνδέεται στον ακροδέκτη γείωσης του φούρνου πρέπει να είναι

συνδεδεμένο με τον ακροδέκτη της γείωσης της παροχής ηλεκτρικού ρεύματος.

ΠΡΟΕΙΔΟΠΟΙΗΣΗ

Πριν συνδέσετε τον φούρνο με την παροχή ηλεκτρικού ρεύματος, ζητήστε από ένα πιστοποιημένο ηλεκτρολόγο να ελέγξει την συνέχεια του ακροδέκτη της γείωσης της παροχής ηλεκτρικού ρεύματος. Ο κατασκευαστής δεν φέρει καμία απολύτως ευθύνη για τυχόν ατυχήματα ή άλλα προβλήματα προκληθούν από την αμέλεια σύνδεσης του φούρνου με τον ακροδέκτη της γείωσης ή από μία σύνδεση με την γείωση η οποία έχει ελαττωματική συνέχεια.

ΣΗΜΕΙΩΣΗ: λόγω του ότι ο φούρνος μπορεί να προϋποθέτει λειτουργία συντήρησης, καλό είναι να διατηρείτε διαθέσιμη άλλη μία πρίζα τοίχου έτσι ώστε να μπορεί να συνδεθεί σε αυτήν ο φούρνος εάν αφαιρεθεί από τον χώρο στον οποίο είναι τοποθετημένος. Το καλώδιο τροφοδοσίας πρέπει να αντικαθίσταται μόνο από προσωπικό της τεχνικής υπηρεσίας ή από τεχνικούς με αντίστοιχες πιστοποιήσεις.

Όταν είναι σβηστός ο φούρνος μπορεί να υπάρχει ένα ασθενές φως γύρω από τον κεντρικό κύριο διακόπτη. Αυτό είναι απόλυτα φυσιολογικό. Μπορεί να σβήσει απλά γυρίζοντας ανάποδα την πρίζα της συσκευής ή αλλάζοντας θέση μεταξύ των ακροδεκτών τροφοδοσίας.

Υποδείξεις

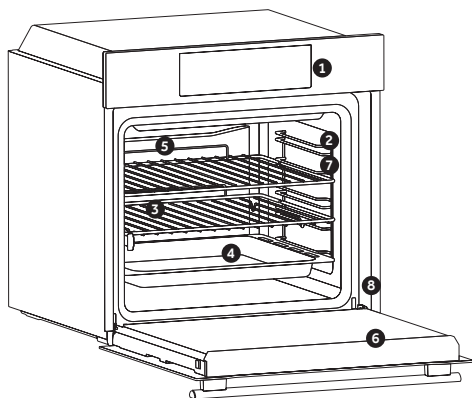
Μετά από κάθε χρήση του φούρνου, ένας ελάχιστος καθαρισμός θα διατηρήσει τον φούρνο εντελώς καθαρό.

Μην σκεπάζετε τα τοιχώματα του φούρνου με αλουμινόχαρτο ή προστατευτικά μίας χρήσης που διατίθενται από τα καταστήματα. Το αλουμινόχαρτο ή οποιοδήποτε άλλο προστατευτικό, όταν είναι σε άμεση επαφή με το θερμό σμάλτο, υπάρχει κίνδυνος να λιώσει και να καταστρέψει το σμάλτο των εσωτερικών τοιχωμάτων. Για να προλάβετε υπερβολικό λέρωμα του φούρνου σας με αποτέλεσμα έντονους καπνούς και μυρωδιές, σας συνιστούμε να μην χρησιμοποιείτε τον φούρνο σε πολύ υψηλή θερμοκρασία. Είναι καλύτερο να παρατείνετε τον χρόνο ψησίματος και να χαμηλώσετε λίγο την θερμοκρασία. Συμπληρωματικά με τα αξεσουάρ που παρέχονται μαζί με τον φούρνο, σας συμβουλεύουμε να χρησιμοποιείτε μόνο δίσκους και φόρμες ψησίματος ανθεκτικές σε πολύ υψηλές θερμοκρασίες.

Встановлення

Ο κατασκευαστής δεν έχει καμία υποχρέωση να κάνει την τοποθέτηση. Εάν χρειάζεται η παροχή υποστήριξης του κατασκευαστή για την επισκευή βλαβών που έχουν προκύψει από λανθασμένη τοποθέτηση, αυτή η παροχή υποστήριξης δεν καλύπτεται από την εγγύηση. Πρέπει να ακολουθούνται οι οδηγίες τοποθέτησης για πιστοποιημένο επαγγελματία. Η λανθασμένη τοποθέτηση μπορεί να προκαλέσει βλάβη ή τραυματισμό σε ανθρώπους, ζώα ή αντικείμενα. Ο κατασκευαστής δεν μπορεί να θεωρηθεί υπόλογος για τέτοιες βλάβες ή τραυματισμούς. Ο φούρνος μπορεί να βρίσκεται μόνο ψηλά σε μία στήλη. Πριν από την στήριξη του, πρέπει να σιγουρευτείτε ότι υπάρχει καλός εξαερισμός στον χώρο του φούρνου που θα επιτρέψει την σωστή κυκλοφορία του αέρα που απαιτείται για την ψύξη και την προστασία των εσωτερικών μερών. Κάντε τα ανοίγματα που προσδιορίζονται στην τελευταία σελίδα ανάλογα με τον τύπο τοποθέτησης.

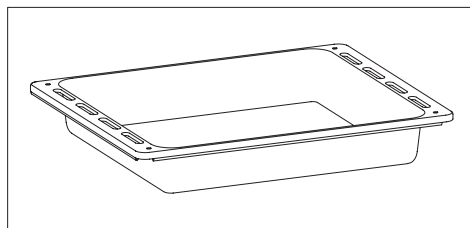
Περιγραφή προϊόντος



1. Πίνακας Ελέγχου
 2. Θέσεις ραφιών (πλευρικό συρμάτινο πλέγμα εάν περιλαμβάνεται)
 3. Πλέγματα
 4. Δίσκοι
 5. Ανεμιστήρας (εάν υπάρχει)
 6. Πόρτα φούρνου
 7. Πλευρικά συρμάτινα πλέγματα (εάν υπάρχουν: μόνο για επίπεδη κοιλότητα)
- 8. Σειριακός αριθμός**

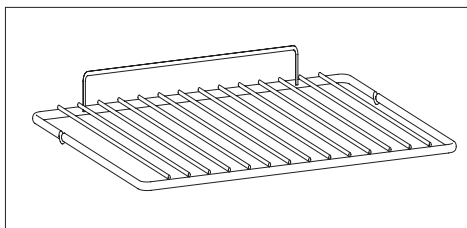
Αξεσουάρ

Δοχείο συλλογής



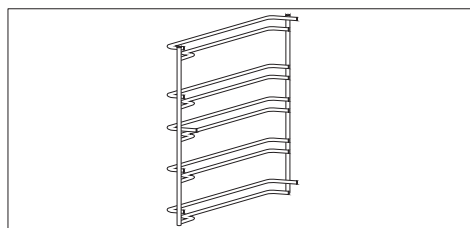
Συλλέγει τα υπολείμματα τα οποία στάζουν κατά την διάρκεια του ψησίματος των τροφών επάνω στις σχάρες.

Μεταλλική σχάρα



Συγκρατεί φόρμες ψησίματος και ταψιά.

Πλευρικά πλέγματα



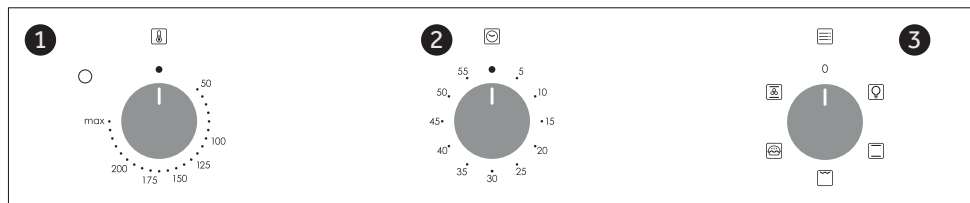
Βρίσκεται και στις δύο πλευρές της κοιλότητας του φούρνου. Συγκρατεί τις μεταλλικές σχάρες και τα δοχεία συλλογής.

Χρήση για πρώτη φορά

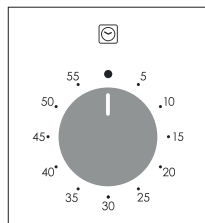
ΠΡΟΚΑΤΑΡΚΤΙΚΟΣ ΚΑΘΑΡΙΣΜΟΣ

Καθαρίστε τον φούρνο πριν τον χρησιμοποιήσετε για πρώτη φορά. Σκουπίστε τις εξωτερικές επιφάνειες με ένα νοτισμένο μαλακό πανί. Πλύνετε όλα τα αξεσουάρ μέσα στον φούρνο και σκουπίστε με ένα διάλυμα ζεστού νερού και κατάλληλου καθαριστικού υγρού. Ρυθμίστε τον άδειο φούρνο στην μέγιστη θερμοκρασία και αφήστε τον αναμμένο για περίπου 1 ώρα, αυτό θα αφαιρέσει τυχόν υπολειπόμενες μυρωδιές της καινούργιας συσκευής.

Περιγραφή πίνακα ελέγχου








1. Κουμπί επιλογής θερμοστάτη
2. Χρόνος μαγειρέματος
3. Κουμπί επιλογή λειτουργίας



Για να ρυθμίσετε το χρόνο μαγειρέματος, γυρίστε τον επιλογή μία πλήρη περιστροφή και, στη συνέχεια, τοποθετήστε το δείκτη στον απαιτούμενο χρόνο. Όταν παρέλθει ο χρόνος, το σήμα θα κουδουνίσει για μερικά δευτερόλεπτα.

Τρόποι λειτουργίας ψησίματος

Σύμβολο	Τ °C Προκα- θορισμένο	Τ °C εύρος	Λειτουργία
			ΛΑΜΠΑ: Ανάβει τον φωτισμό του φούρνου.
	220	50 ÷ MAX	* ΦΟΥΡΝΟΣ: Χρησιμοποιείται και το επάνω, και το κάτω θερμαντικό στοιχείο. Προθερμάνετε τον φούρνο για περίπου δέκα λεπτά. Η μέθοδος αυτή είναι ιδανική για όλα τα παραδοσιακά ψησίματα. Για ροδοκοκκίνισμα κόκκινου κρέατος, roast beef, μπούτι αρνιού, κυνήγι, φαγητό τυλιγμένο σε αλουμινόχαρτο (papillotes), γλυκά με νυφάδες. Τοποθετήστε το φαγητό και τον δίσκο του επάνω στο ράφι στην μεσαία θέση.
	230	50 ÷ MAX	ΓΚΡΙΛ: Χρησιμοποιείστε το γκριλ με την πόρτα κλειστή. Χρησιμοποιείται μόνο το επάνω θερμαντικό στοιχείο και μπορείτε να ρυθμίσετε την θερμοκρασία. Απαιτούνται πέντε λεπτά προθέρμανσης έτσι ώστε να θερμανθούν και να ζεσταθούν τα θερμαντικά στοιχεία. Η επιτυχία είναι εγγυημένη για ψήσιμο στην σχάρα, κεμπάπ και ψητά στον φούρνο. Τα λευκά κρέατα πρέπει να τοποθετούνται σε μία απόσταση από το γκριλ - ο χρόνος μαγειρέματος είναι μεγαλύτερος, αλλά το κρέας θα είναι πιο νόστιμο. Μπορείτε να βγάλετε κόκκινα κρέατα και φιλέτα ψαριού στο ράφι με τον δίσκο συλλογής από κάτω.
	190	50 ÷ MAX	* COOK LIGHT: Αυτή η λειτουργία επιτρέπει το μαγείρεμα με πιο υγιεινό τρόπο, μειώνοντας την ποσότητα του απαιτούμενου λίπους ή λαδιού. Ο συνδυασμός των θερμαντικών στοιχείων με ένα κύκλο παλμών αέρα εξασφαλίζει ένα τέλειο αποτέλεσμα ψησίματος.
	180	50 ÷ MAX	ΨΗΣΙΜΟ ΜΕ ΑΕΡΑ: Σας συνιστούμε να χρησιμοποιείτε αυτή την μέθοδο για πουλερικά, ζυμαρικά, ψάρι και λαχανικά. Η θερμότητα διεισδύει καλύτερα μέσα στην τροφή και μειώνονται οι χρόνοι μαγειρέματος και προθέρμανσης. Μπορείτε να μαγειρέψετε ταυτόχρονα διαφορετικές τροφές με ή χωρίς την ίδια προετοιμασία σε μία ή περισσότερες θέσεις. Αυτή η μέθοδος μαγειρέματος παρέχει ομοιόμορφη κατανομή της θερμότητας και οι μυρωδιές δεν αναμιγνύονται. Αφήστε περίπου δέκα λεπτά επιπλέον όταν μαγειρεύετε ταυτόχρονα τρόφιμα.

* Δοκιμασμένο σύμφωνα με το πρότυπο EN 60350-1 για τους σκοπούς της δήλωσης κατανάλωσης ενέργειας και της ενεργειακής κλάσης

Καθαρισμός και συντήρηση φούρνου

Ο κύκλος ζωής της συσκευής μπορεί να επεκταθεί μέσω τακτικού καθαρισμού. Περιμένετε μέχρι να κρυώσει ο φούρνος πριν κάνετε οποιεσδήποτε εργασίες χειροκίνητου καθαρισμού. Ποτέ μην χρησιμοποιείτε απορρυπαντικά με κόκκους, σύρμα καθαρισμού ή αιχμηρά αντικείμενα για τον καθαρισμό, έτσι ώστε να μην προκληθεί ανεπανόρθωτη ζημία στα επισμαλτωμένα μέρη. Χρησιμοποιήστε μόνο νερό, σαπούνι ή απορρυπαντικά με βάση λευκαντικά (αμμωνία).

ΓΥΑΛΙΝΑ ΕΞΑΡΤΗΜΑΤΑ

Καλό είναι να καθαρίζετε το τζάμι της πόρτας με απορροφητικό χαρτί κουζίνας μετά από κάθε χρήση του φούρνου. Για να αφαιρέσετε πιο επίμονους λεκέδες, μπορείτε να χρησιμοποιήσετε ένα σφουγγάρι νοτισμένο με καθαριστικό, καλά στυμμένο, και να ξεπλύνετε μετά με νερό.

ΤΣΙΜΟΥΧΑ ΤΖΑΜΙΟΥ ΠΟΡΤΑΣ

Εάν είναι βρώμικη, η τσιμούχα μπορεί

να καθαριστεί με ένα ελαφρά νοτισμένο σφουγγάρι.

ΑΞΕΣΟΥΑΡ

Καθαρίστε τα αξεσουάρ με ένα βρεγμένο σφουγγάρι με σαπούνι, πριν τα ξεπλύνετε και τα στεγνώσετε: αποφύγετε την χρήση απορρυπαντικά με κόκκους.

ΔΟΧΕΙΟ ΣΥΛΛΟΓΗΣ

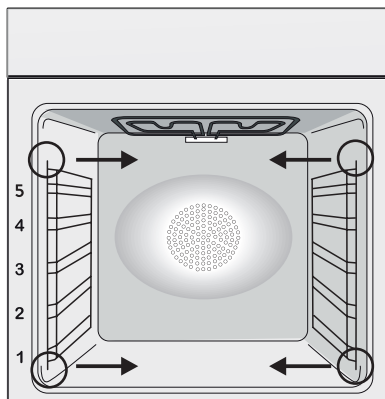
Μετά από την χρήση του γκριλ, αφαιρέστε το δοχείο από τον φούρνο. Αδειάστε το ζεστό λίπος σε ένα σκεύος και πλύνετε το δοχείο με ζεστό νερό, χρησιμοποιώντας ένα σφουγγάρι και υγρό απορρυπαντικό.

Εάν παραμένουν υπολείμματα λίπους, βουτήξτε το δοχείο μέσα σε νερό και καθαριστικό. Εναλλακτικά, μπορείτε να πλύνετε το δοχείο μέσα σε ένα πλυντήριο πιάτων ή να χρησιμοποιήσετε ένα διαθέσιμο στο εμπόριο καθαριστικό φούρνου. Ποτέ μην βάζετε ξανά ένα βρώμικο δοχείο μέσα στον φούρνο.

Συντήρηση

Οδηγία για την αφαίρεση και τον καθαρισμό των πλευρικών σχαρών

1. Αφαιρέστε τις σχάρες τραβώντας τις προς την κατεύθυνση που δείχνουν τα βέλη (δείτε από κάτω)
2. Για να καθαρίσετε τις σχάρες είτε βάλτε τις μέσα σε ένα πλυντήριο πιάτων ή χρησιμοποιήστε ένα υγρό σφουγγάρι, εξασφαλίζοντας ότι μετά έχουν στεγνώσει καλά.
3. Μετά από την διαδικασία καθαρισμού τοποθετήστε τις σχάρες με αντίστροφη σειρά.



ΑΝΤΙΚΑΤΑΣΤΑΣΗ ΤΟΥ ΛΑΜΠΤΗΡΑ

1. Αποσυνδέστε τον φούρνο από την παροχή του ρεύματος.
2. Αφαιρέστε το γυάλινο κάλυμμα, ξεβιδώστε τον λαμπτήρα και αντικαταστήστε τον με ένα καινούργιο λαμπτήρα ίδιου τύπου.
3. Αφού έχει αντικατασταθεί ο καμένος λαμπτήρας, τοποθετήστε ξανά το γυάλινο κάλυμμα.

Το προϊόν αυτό περιέχει μία ή περισσότερες πηγές φωτός κατηγορίας ενεργειακής απόδοσης G (Λαμπτήρας) / F (10 Led).

Διαχείριση απορριμάτων και προστασία του περιβάλλοντος



Αυτή η συσκευή έχει σήμανση σύμφωνα με την Ευρωπαϊκή Οδηγία 2012/19/EU σχετικά με τα απόβλητα ειδών ηλεκτρικού και ηλεκτρονικού εξοπλισμού (WEEE). Η WEEE περιλαμβάνει τόσο

ρυπογόνες ουσίες (οι οποίες μπορούν να έχουν αρνητικές επιπτώσεις στο περιβάλλον) όσο και βασικά εξαρτήματα (τα οποία μπορούν να χρησιμοποιηθούν και πάλι). Είναι σημαντικό να υποβάλλονται τα WEEE σε συγκεκριμένες επεξεργασίες έτσι ώστε να αφαιρούνται και να απορρίπτονται όλα τα ρυπογόνα στοιχεία. Τα άτομα μπορούν να διαδραματίσουν σημαντικό ρόλο στην εξασφάλιση ότι τα WEEE δεν θα αποτελέσουν ένα ζήτημα για το περιβάλλον, είναι απαραίτητο να ακολουθείτε μερικούς βασικούς κανόνες:

- τα WEEE δεν θα πρέπει να αντιμετωπίζονται σαν οικιακά απορρίμματα,
- τα WEEE θα πρέπει να μεταφέρονται στις ειδικές περιοχές συλλογής που διαχειρίζονται από τις δημοτικές συμβουλίες ή από εξουσιοδοτημένες εταιρείες.

Σε πολλές χώρες, μπορεί να υπάρχουν διαθέσιμες συλλογές από το σπίτι για μεγάλα WEEE. Όταν αγοράζετε μία καινούργια συσκευή, η παλιά μπορεί να επιστραφεί στον πωλητή ο οποίος ο οποίος

πρέπει να την παραλάβει χωρίς χρέωση σε μία αναλογία μία προς μία, εφόσον η συσκευή αυτή είναι ισοδύναμου τύπου και έχει τις ίδιες λειτουργίες με την παρεχόμενη συσκευή.

ΕΞΟΙΚΟΝΟΜΗΣΗ ΚΑΙ ΣΕΒΑΣΜΟΣ ΣΤΟ ΠΕΡΙΒΑΛΛΟΝ

Όπου είναι εφικτό, αποφύγετε την προθέρμανση του φούρνου και προσπαθείτε πάντα να τον γεμίζετε. Ανοίγετε την πόρτα του φούρνου όσο το δυνατόν λιγότερο συχνά, γιατί διασκορπίζεται η θέρμανση από τον θάλαμο κάθε φορά που ανοίγει. Για μία σημαντική εξοικονόμηση ενέργειας, σβήνετε τον φούρνο μεταξύ 5 και 10 λεπτών πριν από τον προγραμματισμένο τερματισμό του χρόνου μαγειρέματος, και χρησιμοποιείστε την θερμότητα που απομένει την οποία εξακολουθεί να δημιουργεί ο φούρνος. Καθαρίστε καθαρές τις τσιμούχες καθαρές και σωστά τοποθετημένες στις θέσεις τους, για να αποφύγετε διαφυγή της θερμότητας έξω από τον θάλαμο. Εάν έχετε ρολόι παροχής με νυχτερινό τιμολόγιο, το πρόγραμμα "καθυστερημένου μαγειρέματος" κάνει ευκολότερη την εξοικονόμηση ενέργειας, μεταφέροντας την έναρξη της διαδικασίας μαγειρέματος την ώρα που ισχύει η μειωμένη χρέωση.

Αντιμετώπιση προβλημάτων

Προβλημα	Πιθανή αιτία	Λύση
Ο φούρνος δεν θερμαίνεται	Το ρολόι δεν έχει ρυθμιστεί	Ρυθμίστε το ρολόι
Ο φούρνος δεν θερμαίνεται	Η λειτουργία μαγειρέματος και η θερμοκρασία δεν έχουν ρυθμιστεί	Βεβαιωθείτε ότι οι ρυθμίσεις είναι σωστές
Δεν υπάρχει αντίδραση της διεπαφής χρήστη αφής	Ατμός και συμπύκνωση στον πίνακα διασύνδεσης χρήστη	Καθαρίστε με ένα πανί μικροϊνών το πλαίσιο διεπαφής χρήστη για να αφαιρέσετε το στρώμα συμπύκνωσης



EN If the furniture is covered with a bottom at the back part, provide an opening for the power supply cable.

FR Si le fond du meuble est doté d'un panneau de fermeture, prévoyez un orifice pour le passage du câble d'alimentation.

IT Se il mobile ha un fondo posteriore, praticare un foro per il passaggio del cavo di alimentazione.

ES Si el mueble tiene panel posterior, haga un orificio para el cable de alimentación.

NL Indien het toestel aan de achterzijde voorzien is van een afdekking, maak dan een opening voor de stroomkabel.

DE Wenn das Gerät mit einer Abdeckung auf der Rückseite ausgestattet ist, sorgen Sie für eine Öffnung für das Stromversorgungskabel.

PT Se o móvel estiver equipado com uma cobertura na parte posterior, faça uma abertura para a passagem do cabo de alimentação.

GR Εάν το έπιπλο είναι εφοδιασμένο με ένα τοίχωμα στο πίσω μέρος, κάντε ένα άνοιγμα για το καλώδιο τροφοδοσίας.

B

EN If the oven does not have a cooling fan, create an opening 460 mm x 15 mm

FR Si le four n'a pas de ventilateur de refroidissement, créer une ouverture 460 mm x 15 mm

IT Se il forno non dispone di una ventola di raffreddamento, lasciare uno spazio 460 mm x 15 mm.

ES Si el horno no tiene ventilador de refrigeración, practique una abertura. 460 mm x 15 mm.

NL Maak een opening als de oven geen koelventilator heeft 460 mm x 15 mm.

DE Schaffen Sie eine Öffnung, wenn der Ofen über keinen Lüfter verfügt 460 mm x 15 mm

PT Se o forno não estiver equipado com uma ventoinha de arrefecimento, faça uma abertura 460 mm x 15 mm.

GR Εάν ο φούρνος δεν διαθέτει ανεμιστήρα ψύξης, δημιουργήστε ένα άνοιγμα 460 mm x 15 mm.

A

EN If the mounting of the plinth does not allow air circulation, it is necessary to create an opening of 500x10 mm or the same surface in 5000 mm².

FR Si le montage de la plinthe ne permet pas la circulation de l'air, il est nécessaire de créer une ouverture de 500x10 mm ou de la même surface dans 5000 mm².

IT Se la zoccolatura non consente la circolazione dell'aria, è necessario creare un'apertura di 500x10 mm o 5000 mm².

ES Si el montaje del zócalo no permite la circulación de aire, para obtener el máximo rendimiento del horno es necesario crear una abertura de 500x10 mm o la misma superficie en 5.000 mm².

NL Als de montage van de plint geen luchtcirculatie toelaat, dient men, om de optimale prestatie te verkrijgen van de oven, een opening te maken van 500x10mm of dezelfde oppervlakte in 5.000 mm².

DE Wenn die Montage des Sockels keine Luftzirkulation zulässt, ist es notwendig, um eine maximale Leistung des Ofens zu erreichen, eine Öffnung von 500x10 mm oder die gleiche Oberfläche in 5.000 mm² zu schaffen.

PT Caso a montagem do rodapé não permitir a circulação do ar, para obter o máximo desempenho do forno, é necessário criar uma abertura de 500x100 mm ou a mesma superfície em 5.000 mm².

GR Εάν η στερέωση του βάθρου δεν επιτρέπει την κυκλοφορία αέρα, για να έχετε τη μέγιστη απόδοση του φούρνου είναι απαραίτητο να δημιουργήσετε ένα άνοιγμα 500 x 10 mm ή την ίδια επιφάνεια σε 5.000 mm².

EN The manufacturer will not be responsible for any inaccuracy resulting from printing or transcript errors contained in this brochure. We reserve the right to carry out modifications to products as required, including the interests of consumption, without prejudice to the characteristics relating to safety or function.

FR Le constructeur décline toute responsabilité concernant d'éventuelles inexactitudes imputables à des erreurs d'impression ou de transcription contenue dans cette notice. Le constructeur se réserve le droit de modifier les produits en cas de nécessité, même dans l'intérêt de l'utilisation, sans causer de préjudices aux caractéristiques de fonctionnement de sécurité des appareils.

IT Le constructeur décline toute responsabilité concernant d'éventuelles inexactitudes imputables à des erreurs d'impression ou de transcription contenue dans cette notice. Le constructeur se réserve le droit de modifier les produits en cas de nécessité, même dans l'intérêt de l'utilisation, sans causer de préjudices aux caractéristiques de fonctionnement de sécurité des appareils.

ES El fabricante no se responsabiliza de las inexactitudes debidas a fallos de impresión o transcripción contenidos en este folleto. Nos reservamos el derecho a modificar los productos como sea necesario, incluidos los intereses de consumo, sin perjuicio de las características relacionadas con la seguridad o su funcionamiento.

NL De fabrikant is niet aansprakelijk voor enige onnauwkeurigheid die het gevolg is van drukfouten of transcriptiefouten in deze brochure. Wij behouden ons het recht voor zo nodig, onder meer in het belang van een gunstiger verbruik, wijzigingen aan producten aan te brengen, zonder dat dit gevolgen heeft voor de kenmerken ten aanzien van veiligheid of functionering.

DE Der Hersteller übernimmt keine Haftung für eventuelle Druck- oder Übersetzungsfehler dieser Bedienungsanleitung. Der Hersteller behält sich vor technische Änderungen zur Verbesserung der Produktqualität im Interesse des Endverbrauchers vorzunehmen..

PT O fabricante declina toda e qualquer responsabilidade por gralhas, erros tipográficos ou de transcrição/ tradução contidos neste manual. Reservamo-nos o direito de Introduzir alterações nos nossos produtos, conforme necessário, tendo inclusive em atenção os Interesses relativos ao respectivo consumo, sem prejuízo das características associadas à segurança ou ao funcionamento dos electrodomésticos.

GR Ο κατασκευαστής δεν είναι υπεύθυνος για οποιαδήποτε ανακρίβεια που μπορεί να προέκυψε από την εκτύπωση ή φραστικά σφάλματα που περιέχονται σε αυτό το φυλλάδιο. Ο κατασκευαστής διατηρεί το δικαίωμα να προβεί σε τροποποιήσεις στα προϊόντα όταν αυτό απαιτείται, προς το συμφέρον των καταναλωτών εφόσον δεν θίγει τα χαρακτηριστικά που αφορούν την ασφάλεια ή τη λειτουργία.

70011502 • REV A • 07.2022