

# CANDY

## MIG1730DX

**MICROWAVE OVENS**  
***USER INSTRUCTIONS***

**EN**

**HORNOS MICROONDAS**  
***INSTRUCCIONES DE USO***

**ES**

**FORNI A MICROONDE**  
***ISTRUZIONI PER L'USO***

**IT**

# PRECAUTIONS TO AVOID POSSIBLE EXPOSURE TO EXCESSIVE MICROWAVE ENERGY

(a) Do not attempt to operate this oven with the door open since this can result in harmful exposure to microwave energy. It is important not to break or tamper with the safety interlocks.

(b) Do not place any object between the oven front face and the door or allow soil or cleaner residue to accumulate on sealing surfaces.

(c) WARNING: If the door or door seals are damaged, the oven must not be operated until it has been repaired by a competent person.

## ADDENDUM

If the apparatus is not maintained in a good state of cleanliness, its surface could be degraded and affect the lifespan of the apparatus and lead to a dangerous situation.

## Specifications

Model:	MIG1730DX
Rated Voltage:	230V~ 50Hz
Rated Input Power(Microwave):	1050W
Rated Output Power(Microwave):	700 W
Rated Input Power(Grill):	1000W
Oven Capacity:	17L
Turntable Diameter:	Ø 245 mm
External Dimensions:	595X320X388mm
Net Weight:	Approx 15 kg

# **IMPORTANT SAFETY INSTRUCTIONS**

## **WARNING**

To reduce the risk of fire, electric shock, injury to persons or exposure to excessive microwave oven energy when using your appliance, follow basic precautions, including the following:

1. Read and follow the specific:"PRECAUTIONS TO AVOID POSSIBLE EXPOSURE TO EXCESSIVE MICROWAVE ENERGY".
2. This appliance can be used by children aged from 8 years and above and persons with reduced physical, sensory or mental capabilities or lack of experience and knowledge if they have been given supervision or instruction concerning use of the appliance in a safe way and understand the hazards involved. Children shall not play with the appliance. Cleaning and user maintenance shall not be made by children unless they are older than 8 and supervised. Children less than 8 years of age shall be kept away unless continuously supervised.
3. Keep the appliance and its cord out of reach of children less than 8 years.
4. If the supply cord is damaged, it must be replaced by the manufacturer, its service agent or similarly qualified persons in order to avoid a hazard.( For appliance with type Y attachment)
5. **WARNING:** Ensure that the appliance is switched off before replacing the lamp to avoid the possibility of electric shock.

6. WARNING: It is hazardous for anyone other than a competent person to carry out any service or repair operation that involves the removal of a cover which gives protection against exposure to microwave energy.
7. WARNING: Liquids and other foods must not be heated in sealed containers since they are liable to explode.
8. When heating food in plastic or paper containers, keep an eye on the oven due to the possibility of ignition.
9. Only use utensils that are suitable for use in microwave ovens.
10. If smoke is emitted, switch off or unplug the appliance and keep the door closed in order to stifle any flames.
11. Microwave heating of beverages can result in delayed eruptive boiling, therefore care must be taken when handling the container.
12. The contents of feeding bottles and baby food jars shall be stirred or shaken and the temperature checked before consumption, in order to avoid burns.
13. Eggs in their shell and whole hard-boiled eggs should not be heated in microwave ovens since they may explode, even after microwave heating has ended.
14. The oven should be cleaned regularly and any food deposits removed.
15. Failure to maintain the oven in a clean condition could lead to deterioration of the surface that could adversely affect the life of the appliance and possibly result in a hazardous situation.

16. Only use the temperature probe recommended for this oven. (for ovens provided with a facility to use a temperature-sensing probe.)

17. The microwave oven must be operated with the decorative door open. (for ovens with a decorative door.)

18. This appliance is intended to be used in household and similar applications such as:

-staff kitchen areas in shops, offices and other working environments;

-by clients in hotels, motels and other residential type environments;

-farm houses;

-bed and breakfast type environments.

19. The microwave oven is intended for heating food and beverages. Drying of food or clothing and heating of warming pads, slippers, sponges, damp cloth and similar may lead to risk of injury, ignition or fire.

20. Metallic containers for food and beverages are not allowed during microwave cooking.

21. The appliance shall not be cleaned with a steam cleaner.

22. Care should be taken not to displace the turntable when removing containers from the appliance. (For fixed appliances and built-in appliances being used equal or higher than 900mm above the floor and having detachable turntables. But this is not applicable for appliances with horizontal bottom hinged door.)

23. The microwave oven is intended to be used built-in.
24. Steam cleaner is not to be used.
25. Surface of a storage drawer can get hot.
26. WARNING: The appliance and its accessible parts become hot during use. Care should be taken to avoid touching heating elements. Children less than 8 years of age shall be kept away unless continuously supervised.
27. During use the appliance becomes hot. Care should be taken to avoid touching heating elements inside the oven.
28. WARNING: Accessible parts may become hot during use. Young children should be kept away.
29. The appliance must not be installed behind a decorative door in order to avoid overheating. (This is not applicable for appliances with decorative door.)
30. WARNING: When the appliance is operated in the combination mode, children should only use the oven under adult supervision due to the temperatures generated.
31. Do not use harsh abrasive cleaners or sharp metal scrapers to clean the oven door glass since they can scratch the surface, which may result in shattering of the glass.

**READ CAREFULLY AND KEEP FOR FUTURE REFERENCE**

# To Reduce the Risk of Injury to Persons Grounding Installation

## **DANGER**

Electric Shock Hazard  
Touching some of the internal components can cause serious personal injury or death. Do not disassemble this appliance.

## **WARNING**

Electric Shock Hazard  
Improper use of the grounding can result in electric shock. Do not plug into an outlet until appliance is properly installed and grounded.

This appliance must be grounded. In the event of an electrical short circuit, grounding reduces the risk of electric shock by providing an escape wire for the electric current. This appliance is equipped with a cord having a grounding wire with a grounding plug. The plug must be plugged into an outlet that is properly installed and grounded.

Consult a qualified electrician or serviceman if the grounding instructions are not completely understood or if doubt exists as to whether the appliance is properly grounded. If it is necessary to use an extension cord, use only a 3-wire extension cord.

1. A short power-supply cord is provided to reduce the risks resulting from becoming entangled in or tripping over a longer cord.
2. If a long cord set or extension cord is used:
  - 1)The marked electrical rating of the cord set or extension cord should be at least as great as the electrical rating of the appliance.
  - 2)The extension cord must be a grounding-type 3-wire cord.
  - 3)The long cord should be arranged so that it will not drape over the counter top or tabletop where it can be pulled on by children or tripped over unintentionally.

# CLEANING

Be sure to unplug the appliance from the power supply.

1. Clean the cavity of the oven after using with a slightly damp cloth.
2. Clean the accessories in the usual way in soapy water.
3. The door frame and seal and neighbouring parts must be cleaned carefully with a damp cloth when they are dirty.
4. Do not use harsh abrasive cleaners or sharp metal scrapers to clean the oven door glass since they can scratch the surface, which may result in shattering of the glass.
5. Cleaning Tip---For easier cleaning of the cavity walls that the food cooked can touch: Place half a lemon in a bowl, add 300ml (1/2 pint) water and heat on 100% microwave power for 10 minutes. Wipe the oven clean using a soft, dry cloth.

# UTENSILS

## CAUTION

### Personal Injury Hazard

It is hazardous for anyone other than a competent person to carry out any service or repair operation that involves the removal of a cover which gives protection against exposure to microwave energy.

See the instructions on "Materials you can use in microwave oven or to be avoided in microwave oven."

There may be certain non-metallic utensils that are not safe to use for microwaving. If in doubt, you can test the utensil in question following the procedure below.

Utensil Test:

1. Fill a microwave-safe container with 1 cup of cold water (250ml) along with the utensil in question.
2. Cook on maximum power for 1 minute.
3. Carefully feel the utensil. If the empty utensil is warm, do not use it for microwave cooking.
4. Do not exceed 1 minute cooking time.



## Materials you can use in microwave oven

Utensils	Remarks
Browning dish	Follow manufacturer's instructions. The bottom of browning dish must be at least 3/16 inch (5mm) above the turntable. Incorrect usage may cause the turntable to break.
Dinnerware	Microwave-safe only. Follow manufacturer's instructions. Do not use cracked or chipped dishes.
Glass jars	Always remove lid. Use only to heat food until just warm. Most glass jars are not heat resistant and may break.
Glassware	Heat-resistant oven glassware only. Make sure there is no metallic trim. Do not use cracked or chipped dishes.
Oven cooking bags	Follow manufacturer's instructions. Do not close with metal tie. Make slits to allow steam to escape.
Paper plates and cups	Use for short-term cooking/warming only. Do not leave oven unattended while cooking.
Paper towels	Use to cover food for reheating and absorbing fat. Use with supervision for a short-term cooking only.
Parchment paper	Use as a cover to prevent splattering or a wrap for steaming.
Plastic	Microwave-safe only. Follow the manufacturer's instructions. Should be labeled "Microwave Safe". Some plastic containers soften, as the food inside gets hot. "Boiling bags" and tightly closed plastic bags should be slit, pierced or vented as directed by package.
Plastic wrap	Microwave-safe only. Use to cover food during cooking to retain moisture. Do not allow plastic wrap to touch food.
Thermometers	Microwave-safe only (meat and candy thermometers).
Wax paper	Use as a cover to prevent splattering and retain moisture.

## Materials to be avoided in microwave oven

Utensils	Remarks
Aluminum tray	May cause arcing. Transfer food into microwave-safe dish.
Food carton with metal handle	May cause arcing. Transfer food into microwave-safe dish.
Metal or metal-trimmed utensils	Metal shields the food from microwave energy. Metal trim may cause arcing.
Metal twist ties	May cause arcing and could cause a fire in the oven.
Paper bags	May cause a fire in the oven.
Plastic foam	Plastic foam may melt or contaminate the liquid inside when exposed to high temperature.
Wood	Wood will dry out when used in the microwave oven and may split or crack.

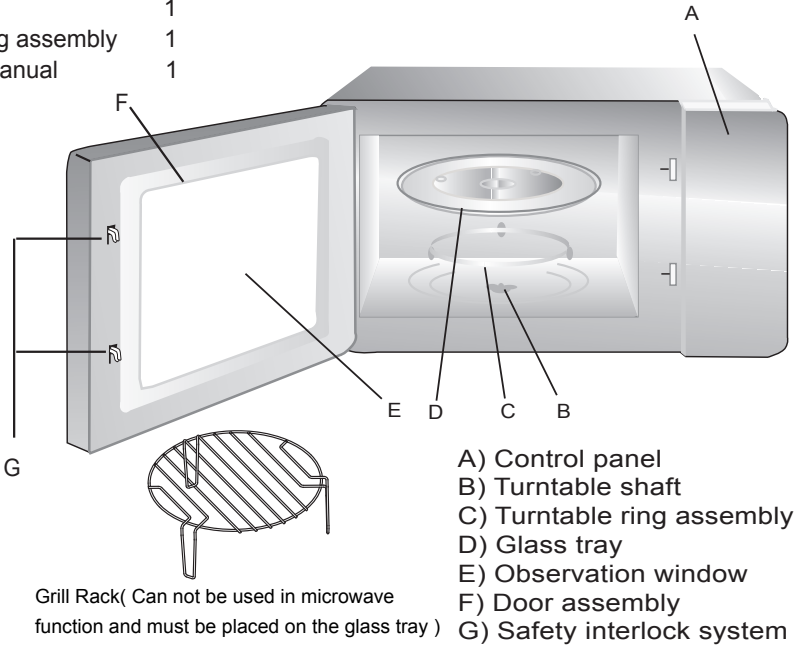
# SETTING UP YOUR OVEN

## Names of Oven Parts and Accessories

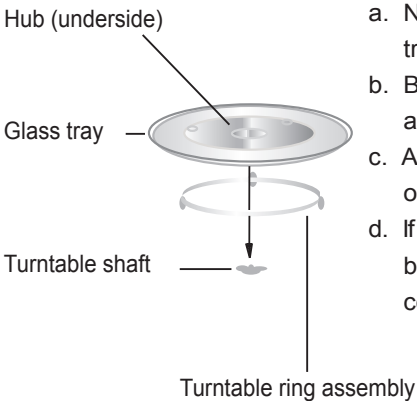
Remove the oven and all materials from the carton and oven cavity.

Your oven comes with the following accessories:

Glass tray	1
Turntable ring assembly	1
Instruction Manual	1



## Turntable Installation



- Never place the glass tray upside down. The glass tray should never be restricted.
- Both glass tray and turntable ring assembly must always be used during cooking.
- All food and containers of food are always placed on the glass tray for cooking.
- If glass tray or turntable ring assembly cracks or breaks, contact your nearest authorized service center.

## **Installation and connection**

- 1.This appliance is only intended for domestic use.
- 2.This oven is intended for built-in use only. It is not intended for counter-top use or for use inside a cupboard.
3. Please observe the special installation instructions.
- 4.The appliance can be installed in a 60cm wide wall-mounted cupboard.
- 5.The appliance is fitted with a plug and must only be connected to a properly installed earthed socket.
- 6.The mains voltage must correspond to the voltage specified on the rating plate.
- 7.The socket must be installed and connecting cable must only be replaced by a qualified electrician. If the plug is no longer to accessible following installation, an all-pole disconnecting device must be present on the installation side with a contact gap of at least 3mm.
- 8.Adapters, multi-way strips and extension leads must not be used. Overloading can result in a risk of fire.

**The accessible surface may be hot during operation.**



# Installation Instructions

Please Read the Manual Carefully Before Installation

## Please note

### Electrical connection

The oven is fitted with a plug and must only be connected to a properly installed earthed socket. The socket must only be installed and the connecting cable must only be replaced by a qualified electrician, and in accordance with the appropriate regulations.

If the plug is no longer accessible following installation, an all-pole isolating switch must be present on the installation side with a contact gap of at least 3 mm.

The fitted cabinet must not have a back wall behind the appliance.

A gap must be maintained between the wall and the base of the unit above. Specific gap size could be referenced by the diagrams.

Minimum installation height: 85 cm.

Do not cover ventilation slots and suction holes.

### Note:

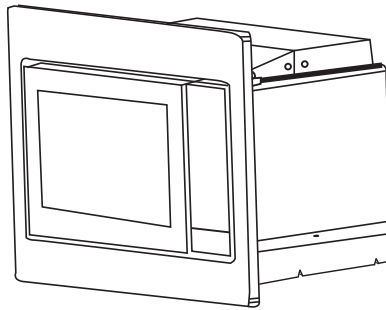
Do not trap or bend the power cable.

 Screw A

 Screw B

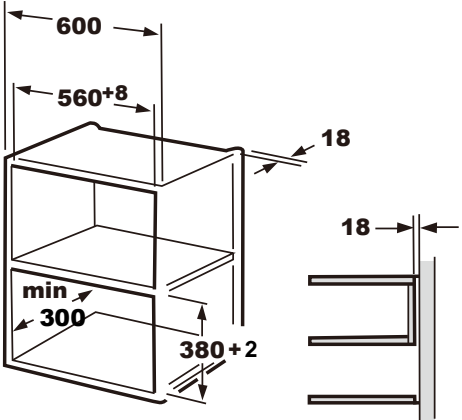
 Mounting Plate

  
Trim-kit plastic cover

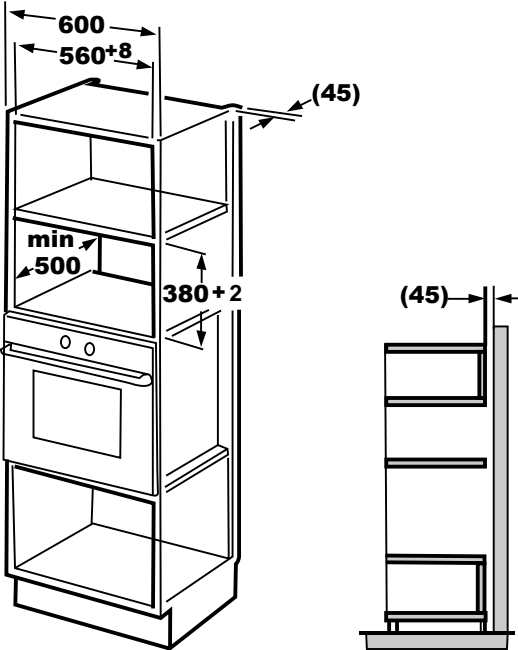


**A. Built-in furniture**

1.



2.



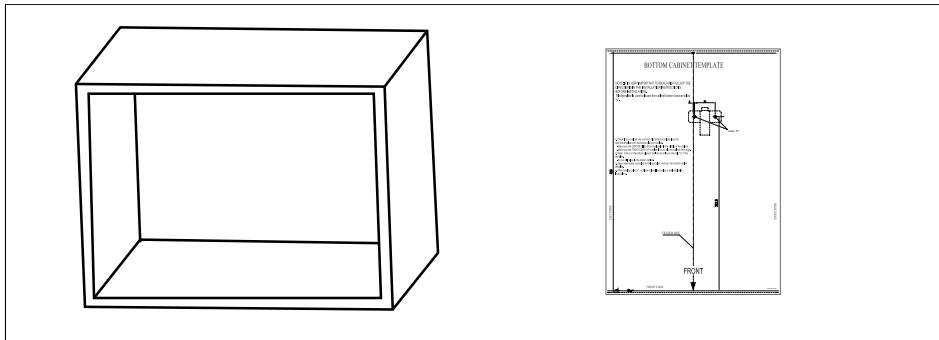
**Note:**

The mounting plate and bottom cabinet template are needed when installing in both installations.

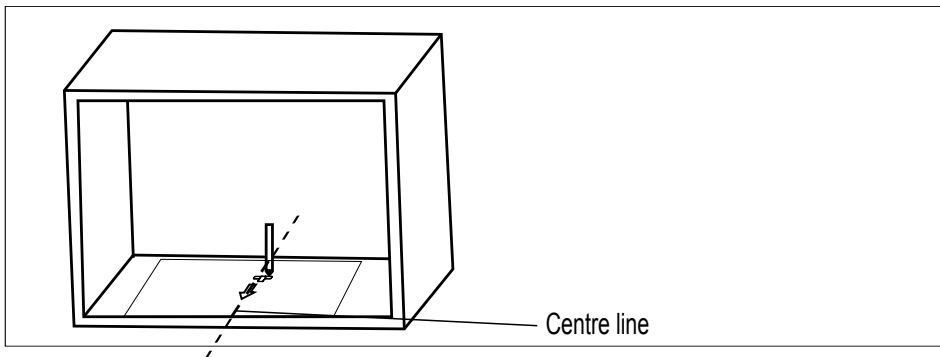
## B.Prepare the cabinet

⚠ Skip this step if the cabinet depth is within the range of 300-340 mm.

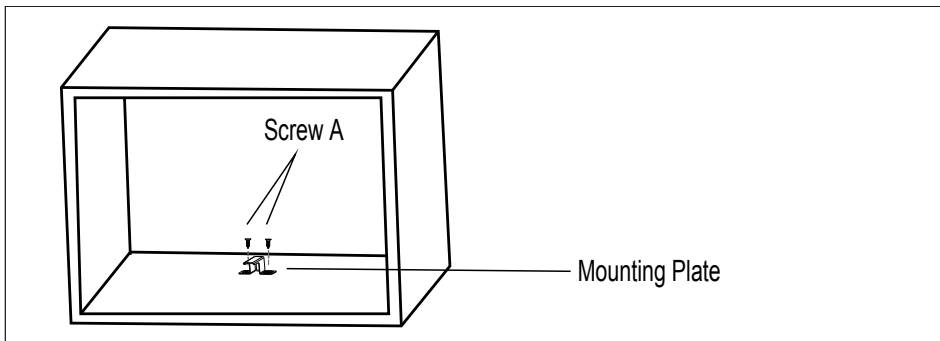
1. Read the instruction on the **BOTTOM CABINET TEMPLATE** , put the template on the bottom plane of cabinet.



2. Make the marks on the bottom plane of cabinet according to marks "a" of the template



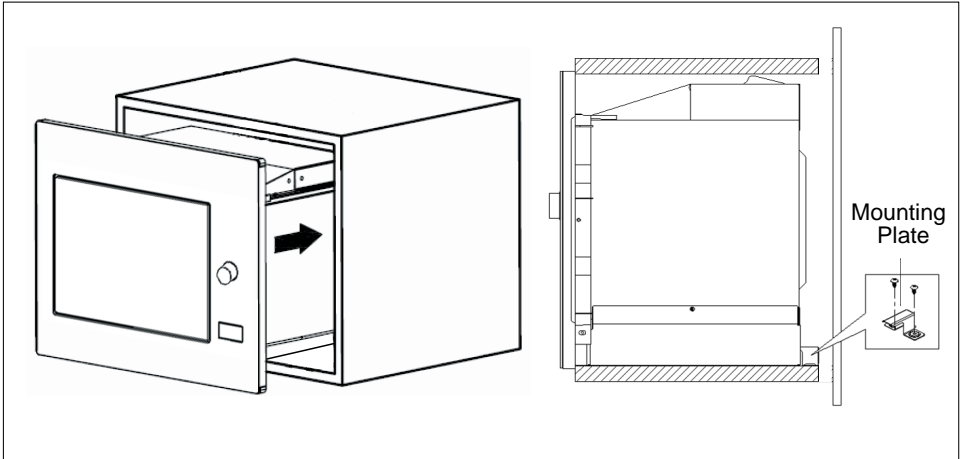
3. Remove the bottom cabinet template and fix the mounting plate with screw A.



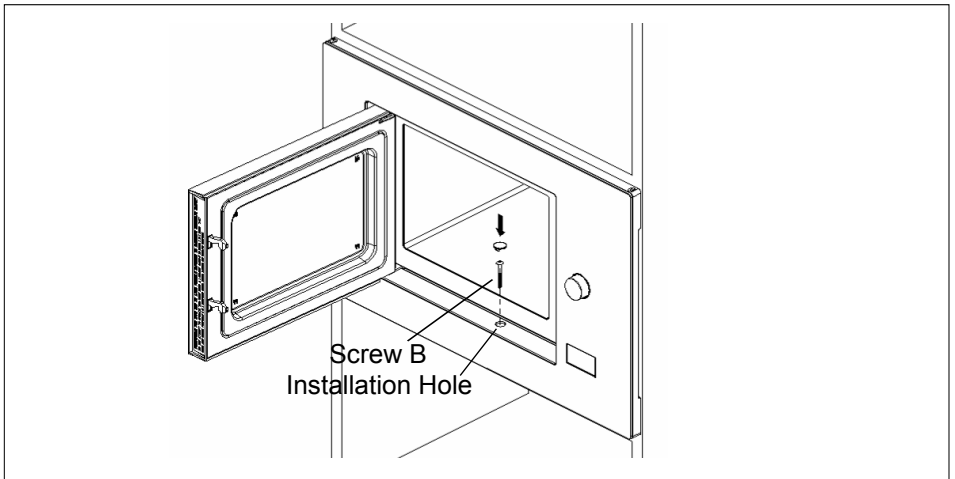
## C. Install the oven

### 4. Install the oven to the cabinet

- Make sure the back of the oven is locked by mounting plate, if any.
- Do not trap or kink the power cord.



- ### 5. Open the door, fix the oven to the cabinet with Screw B, at the installation hole. Then fix the Trim-kit plastic cover to the installation hole.




# Operation Instructions

## 1. Clock Setting

When the microwave oven is electrified, the LED will display "0:00", buzzer will ring once.

1) Press " **Clock/ Kitchen Timer** " once to select clock function, the hour figures will flash.

---

2) Turn "  " to adjust the hour figures, the input time should be within 0--23.

---

3) Press " **Clock/ Kitchen Timer** ", the minute figures will flash.

---

4) Turn "  " to adjust the minute figures, the input time should be within 0--59.

---



5) Press " **Clock/ Kitchen Timer** " to finish clock setting. ":" will flash, and the time will light.

Note: 1) If the clock is not set, it would not function when powered.

2) During the process of clock setting, if you press " **Stop/Clear** ", the oven will go back to the previous status automatically.

## 2. Microwave Cooking


Press " **Micro./Grill/Combi.** " once, the screen will display "P100". Press

" **Micro./Grill/Combi.** " repeatedly or turn "  " to choose the power you want, and "P100", "P80" "P50", "P30" or "P10" will display for each added press. Then press " **Start/+30Sec./Confirm** " to confirm, and turn "  " to set cooking time from 0:05 to 95:00. Press " **Start/+30Sec./Confirm** " again to start cooking.

Example: If you want to use 80% microwave power to cook for 20 minutes, you can operate the oven as the following steps.

1) Press " **Micro./Grill/Combi.** " once, the screen displays "P100".


---

2) Press " **Micro./Grill/Combi.** " once again or turn "  " to choose 80% microwave power.

---

3) Press " **Start/+30Sec./Confirm** " to confirm, and the screen displays "P80".

---

4) Turn "  " to adjust the cooking time until the oven displays "20:00".

---

5) Press " **Start/+30Sec./Confirm** " to start cooking .



Note: the step quantities for the adjustment time of the coding switch are as follow:

0--1 min	:	5 seconds
1--5 min	:	10 seconds
5--10 min	:	30 seconds
10--30 min	:	1 minute
30--95 min	:	5 minutes



"Micro./Grill/Combi." Order	Pad instructions Display	Microwave Power	Grill Power
1	P100	100%	
2	P80	80%	
3	P50	50%	
4	P30	30%	
5	P10	10%	
6	G	0%	100%
7	C-1	55%	45%
8	C-2	36%	64%


### 3. Grill or Combi. Cooking

Press "**Micro./Grill/Combi.**" the LED will display "P100", and press "**Micro./Grill/Combi.**" repeatedly or turn the  to choose the power you want, and "G", "C-1" or "C-2" will display for each added press. Then press "**Start/+30Sec./Confirm**" to confirm, and turn  to set cooking time from 0:05 to 95:00. Press "**Start/+30Sec./Confirm**" again to start cooking.

Example: If you want to use 55% microwave power and 45% grill power (C-1) to cook for 10 minutes, you can operate the oven as the following steps.

- 1) Press "**Micro./Grill/Combi.**" once, the screen display "P100".


---

- 2) Press "**Micro./Grill/Combi.**" for times or turn  to choose combi. 1 mode.

---

- 3) Press "**Start/+30Sec./Confirm**" to confirm, and the screen displays "C-1".

---


- 4) Turn  to adjust the cooking time until the oven displays "10:00".

---

- 5) Press "**Start/+30Sec./Confirm**" to start cooking .


Note: If half the grill time passes, the oven sounds twice, and this is normal. In order to have a better effect of grilling food, you should turn the food over, close the door, and then press "**Start/+30Sec./Confirm**" to continue cooking. If no operation, the oven will continue working.

#### 4. Quick Start

- 1) In waiting state, Press " **Start/+30Sec./Confirm** " to start cooking with 100% power for 30 seconds, each added press will increase 30 seconds cooking time up to 95 minutes.
- 2) In microwave, grill , combination cooking or time defrost state, each press of " **Start/+30Sec./Confirm** " can increase 30 seconds of cooking time.
- 3) In waiting state, turn "  " left to set cooking time with 100% microwave power. After choosing the cooking time, press " **Start/+30Sec./Confirm** " to start cooking.

#### 5. Defrost By Weight


- 1) Press " **Weight/Time Defrost** " once, and the oven will display "dEF1".

---
- 2) Turn "  " to select the weight of food from 100 to 2000 g.

---
- 3) Press " **Start/+30Sec./Confirm** " to start defrosting.


#### 6. Defrost By Time

- 1) Press " **Weight/Time Defrost** " twice, and the oven will display "dEF2".

---
- 2) Turn "  " to select the defrost time. The MAX time is 95 minutes.

---
- 3) Press " **Start/+30Sec./Confirm** " to start defrosting. The defrost power is P30 , and it will not be changed.


#### 7. Kitchen Timer

- 1) Press " **Clock/ Kitchen Timer** " twice, LED will display 00:00.
- 2) Turn "  " to enter the correct timer. (The maximum cooking time is 95 minutes.)
- 3) Press " **Start/+30Sec./Confirm** " to confirm setting.
- 4) When the kitchen time is reached, timer indicator will go out. The buzzer will ring 5 times.


If the clock has been set (24-hour system), LED will display the current time.

Note: The kitchen Time is differ from 24-hour system, Kitchen Timer is a timer.

## 8. Auto Menu

1) Turn "  " right to choose the menu, and "A-1" to "A-8" will display.

2) Press " **Start/+30Sec./Confirm** " to confirm.


3) Turn "  " to choose the default weight as the menu chart.

4) Press " **Start/+30Sec./Confirm** " to start cooking.

Example: If you want to use "Auto Menu" to cook fish for 350g.

1) Turn "  " clockwise till "A-6" display.

2) Press " **Start/+30Sec./Confirm** " to confirm.

3) Turn "  " to select the weight of fish till "350" display.

4) Press " **Start/+30Sec./Confirm** " to start cooking.

The menu chart:


Menu	Weight	Display
A-1 Pizza	200 g	200
	400 g	400
A-2 Meat	250 g	250
	350 g	350
	450 g	450
A-3 Vegetable	200 g	200
	300 g	300
	400 g	400
A-4 Pasta	50g(with 450 ml cold water)	50
	100g(with 800 ml cold water)	100
A-5 Potato	200 g	200
	400 g	400
	600 g	600
A-6 Fish	250 g	250
	350 g	350
	450 g	450
A-7 Beverage	1 cup(120 ml)	1
	2 cups(240 ml)	2
	3 cups(360ml)	3
A-8 Popcorn	50 g	50
	100 g	100

## 9. Multi-section cooking


At most 2 sections can be set for cooking. In multi-section cooking, if one section is defrosting, then defrosting shall be placed in the first section automatically.

Example: If you want to defrost food for 5 minutes and then cook with 80% microwave power for 7 minutes, operate it as the following:


- 1) Press " **Weight/Time Defrost** " twice, and the oven will display "dEF2".

---
- 2) Turn "  " to select the defrost time till "5:00" display.

---
- 3) Press " **Micro./Grill/Combi.** " once, the screen display "P100".

---
- 4) Press " **Micro./Grill/Combi.** " once again or turn "  " to choose 80% microwave power.

---
- 5) Press " **Start/+30Sec./Confirm** " to confirm, and the screen displays "P 80".

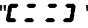
---
- 6) Turn "  " to adjust the cooking time till the oven displays "7:00".

---
- 7) Press " **Start/+30Sec./Confirm**" to start cooking, and buzzer will sound once for the first section, defrosting time counts down; buzzer will sound once again entering the second cooking. when cooking finish, buzzer sounds five times.

## 10. Inquiring Function

- 1) In states of microwave,grill and combination cooking, press " **Micro./Grill/Combi.** ", the current power will be displayed for 3 seconds. After 3 seconds, the oven will turn back to the former state;
- 2) In cooking state, press " **Clock/ Kitchen Timer** " to inquire the time and the time will display for 3 seconds.

## 11. Lock-out Function for Children

- Lock: In waiting state, press " **Stop/Clear** " for 3 seconds, there will be a long beep denoting entering the children-lock state and the current time will display if the time has been set, otherwise, the LED will display "".
- Lock quitting: In locked state, press " **Stop/Clear** " for 3 seconds, there will be a long "beep" denoting that the lock is released.

# Trouble shooting

<b>Normal</b>	
Microwave oven interfering TV reception	Radio and TV reception may be interfered when microwave oven operating. It is similar to the interference of small electrical appliances, like mixer, vacuum cleaner, and electric fan. It is normal.
Dim oven light	In low power microwave cooking, oven light may become dim. It is normal.
Steam accumulating on door, hot air out of vents	In cooking, steam may come out of food. Most will get out from vents. But some may accumulate on cool place like oven door. It is normal.
Oven started accidentally with no food in.	It is forbidden to run the unit without any food inside. It is very dangerous.

<b>Trouble</b>	<b>Possible Cause</b>	<b>Remedy</b>
Oven can not be started.	(1) Power cord not plugged in tightly.	Unplug. Then plug again after 10 seconds.
	(2) Fuse blowing or circuit breaker works.	Replace fuse or reset circuit breaker (repaired by professional personnel of our company)
	(3) Trouble with outlet.	Test outlet with other electrical appliances.
Oven does not heat.	(4) Door not closed well.	Close door well.



According to Waste of Electrical and Electronic Equipment (WEEE) directive, WEEE should be separately collected and treated. If at any time in future you need to dispose of this product please do NOT dispose of this product with household waste. Please send this product to WEEE collecting points where available.

# PRECAUCIONES PARA EVITAR UNA POSIBLE EXPOSICIÓN A UN EXCESO DE ENERGÍA DE MICROONDAS

(a) No intente hacer funcionar este horno con la puerta abierta, ya que esto puede provocar una exposición perjudicial a la energía de las microondas. Es importante no romper o manipular los mecanismos de cierre de seguridad.

(b) No coloque ningún objeto entre la parte frontal del horno y la puerta ni permita que se acumulen restos de suciedad o de productos limpiadores en las superficies de las juntas.

(c) ADVERTENCIA: Si la puerta o las juntas de la puerta están dañadas, no debe utilizarse el horno hasta que un técnico competente lo haya reparado.

## NOTA

Si el aparato no se mantiene en buen estado de limpieza, su superficie podría degradarse y afectar a la vida útil del aparato y provocar una situación peligrosa.

## Especificaciones

Modelo:	MIG1730DX
Tensión nominal:	230V~50Hz
Potencia nominal de entrada (microondas):	1050W
Potencia nominal de salida (microondas):	700 W
Potencia nominal de entrada (grill):	1000W
Capacidad del horno:	17 L
Diámetro del plato giratorio:	ø 245 mm
Dimensiones exteriores:	595X320X388 mm
Peso neto:	Aprox. 15 kg

## **ADVERTENCIA DE SEGURIDAD IMPORTANTE**

Para reducir el riesgo de incendio, de descarga eléctrica, de lesiones personales o de exposición a un exceso de energía del horno microondas mientras utiliza el aparato, siga las precauciones básicas, incluyendo las siguientes:

1. Lea y siga las siguientes indicaciones: "PRECAUCIONES PARA EVITAR UNA POSIBLE EXPOSICIÓN A UN EXCESO DE ENERGÍA DE MICROONDAS".

2. Este electrodoméstico puede ser utilizado por niños a partir de 8 años y por personas con capacidades físicas, sensoriales o mentales reducidas, o sin experiencia o conocimientos previos, siempre y cuando hayan recibido la supervisión y las instrucciones necesarias para utilizar el electrodoméstico de forma segura y comprendan los riesgos que implica. Los niños no deben jugar con este electrodoméstico. La limpieza y el mantenimiento no deben ser realizados por niños menores de 8 años y sin supervisión. Los niños menores de 8 años deben mantenerse lejos del aparato o estar continuamente supervisados.

3. Mantenga el aparato y su cable fuera del alcance de los niños menores de 8 años.

4. Si el cable de alimentación está dañado, debe ser sustituido por el fabricante, por su servicio técnico o por cualquier profesional cualificado similar para evitar riesgos. (Para el aparato con accesorio tipo Y)

5. **ADVERTENCIA:** Para evitar la posibilidad de descargas eléctricas, asegúrese de que el electrodoméstico esté apagado antes de cambiar la bombilla.

6. ADVERTENCIA: Es peligroso que alguien que no sea una persona competente lleve a cabo cualquier tarea de mantenimiento o reparación que implique la retirada de una cubierta que proteja de la exposición a la energía de microondas.
7. ADVERTENCIA: No se deben calentar líquidos ni otros alimentos en recipientes cerrados, ya que pueden explotar.
8. Cuando caliente alimentos en recipientes de plástico o papel, vigile el horno por la posibilidad de que se inflamen.
9. Utilice únicamente utensilios y accesorios aptos para su uso en hornos microondas.
10. Si se genera humo, apague o desenchufe el aparato y mantenga la puerta cerrada para apagar las posibles llamas.
11. Calentar las bebidas en el microondas puede provocar una ebullición retardada, por lo que hay que tener cuidado al manipular el recipiente.
12. Antes de consumir el contenido de los biberones y de los tarros de comida para bebés, hay que removerlo o agitarlo y comprobar su temperatura, para evitar quemaduras.
13. Los huevos con cáscara y los huevos duros enteros no deben calentarse en los hornos microondas, ya que pueden explotar, incluso después de haber terminado de calentarlos.
14. El horno debe limpiarse regularmente y se debe eliminar cualquier resto de alimento.
15. No mantener el horno en buenas condiciones de limpieza podría provocar un deterioro de la superficie que podría afectar negativamente a la vida útil del aparato y posiblemente provocar una situación de peligro.



16. Utilice exclusivamente la sonda de temperatura recomendada para este horno. (para los hornos compatibles con el uso de una sonda de temperatura.)

17. El horno microondas debe funcionar con la puerta decorativa abierta. (para hornos con puerta decorativa.)

18. Este aparato está diseñado para su uso doméstico y para aplicaciones similares, tales como:

-Cocinas para personal en tiendas, oficinas y otros entornos de trabajo.

-El uso por clientes en hoteles, moteles y otros entornos de tipo residencial.

-fincas agrícolas;

-alojamientos turísticos del tipo "bed and breakfast".

19. El horno microondas está destinado a calentar alimentos y bebidas. El secado de alimentos o ropa y el calentamiento de almohadillas térmicas, pantuflas, esponjas, paños húmedos y similares pueden provocar lesiones, ignición o incendio.

20. No se permite usar recipientes metálicos para alimentos y bebidas durante la cocción en el microondas.

21. El aparato no debe limpiarse con un limpiador a vapor.

22. Debe tenerse cuidado de no desmontar la plataforma giratoria al retirar los envases del aparato. (Para los aparatos fijos y los aparatos integrados iguales o superiores a 900 mm por encima del suelo y con plataformas desmontables. Pero esto no es aplicable para electrodomésticos con puerta con bisagra inferior horizontal.)

23. El horno microondas está destinado a ser integrado.
24. No se debe utilizar un limpiador a vapor.
25. La superficie de un cajón de almacenamiento puede calentarse.
26. ADVERTENCIA: El electrodoméstico y sus accesorios se calientan durante el uso. Debe prestarse atención para no tocar los elementos que producen calor. Los niños menores de 8 años deben mantenerse lejos del aparato o estar continuamente supervisados.
27. Durante el uso, el electrodoméstico se calienta. Tenga cuidado para evitar tocar los elementos de calentamiento del interior del horno.
28. ADVERTENCIA: Las partes accesibles pueden calentarse durante el uso. Los niños pequeños deben mantenerse alejados de este electrodoméstico.
29. Para evitar sobrecalentamientos, este electrodoméstico no debe instalarse detrás de una puerta decorativa. (Esto no es aplicable para electrodomésticos con puerta decorativa.)
30. ADVERTENCIA: Cuando el electrodoméstico funciona en el modo combinado, los niños solo deben usar el horno bajo supervisión de un adulto debido a las temperaturas generadas.
31. No utilice limpiadores abrasivos o raspadores metálicos afilados para limpiar el cristal de la puerta del horno, ya que pueden rayar la superficie, lo que puede provocar la rotura del cristal.

**LEER CON ATENCIÓN Y GUARDAR PARA FUTURAS CONSULTAS**

# Instalación de la toma de tierra para reducir el riesgo de lesiones a las personas

## PELIGRO

Peligro de descarga eléctrica  
Tocar algunos de los componentes internos puede causar graves lesiones personales o la muerte.  
No desmonte este aparato.

## ADVERTENCIA

Peligro de descarga eléctrica  
El uso inadecuado de la toma de tierra puede provocar una descarga eléctrica. No lo enchufe en una toma de corriente hasta que el aparato esté correctamente instalado y conectado a tierra.

Este electrodoméstico debe ser puesto a tierra. En el caso de un cortocircuito eléctrico, la conexión a tierra reduce el riesgo de descarga eléctrica al proporcionar un cable de fuga para la corriente eléctrica.

Este electrodoméstico está equipado con un cable con un conductor de puesta a tierra del equipo y el enchufe correspondiente. El enchufe debe conectarse a una toma de corriente correctamente instalada y con puesta a tierra.

Consulte a un electricista o técnico cualificado si las instrucciones de conexión a tierra no se entienden completamente o si existen dudas sobre si el aparato está correctamente conectado a tierra.

Si es necesario utilizar un cable alargador, utilice solo un cable de 3 hilos.

1. Se proporciona un cable de alimentación corto para reducir los riesgos que se producen al enredarse o tropezar con un cable más largo.
2. Si se utiliza un juego de cables largos o un alargador:
  - 1) La capacidad eléctrica indicada del cable o alargador debe ser como mínimo igual a la capacidad eléctrica del aparato.
  - 2) El cable alargador debe ser un cable de 3 hilos con conexión a tierra.
  - 3) El cable largo debe colocarse de forma que no cuelgue sobre la encimera o el tablero de la mesa, donde los niños puedan tirar de él o tropezar con él involuntariamente.

## LIMPIEZA

Asegúrese de desenchufar el aparato de la red eléctrica.

1. Tras el uso, limpie la cavidad de cocinado del horno con un paño ligeramente húmedo.
2. Limpie los accesorios de la forma habitual con agua y jabón.
3. El marco y la junta de la puerta, así como las piezas adyacentes, deben limpiarse bien con un paño húmedo si están sucios.
4. No utilice limpiadores abrasivos o raspadores metálicos afilados para limpiar el cristal de la puerta del horno, ya que pueden rayar la superficie, lo que puede provocar la rotura del cristal.
5. Consejo de limpieza---Para facilitar la limpieza de las paredes de la cavidad que pueden tocar los alimentos cocinados: Ponga medio limón en un bol, añada 300 ml de agua y caliéntelo al 100% de potencia en el microondas durante 10 minutos. Limpie el horno con un paño suave y seco.

## UTENSILIOS PRECAUCIÓN

### **Peligro de lesiones personales**

Es peligroso que alguien que no sea una persona competente lleve a cabo cualquier tarea de mantenimiento o reparación que implique la retirada de una cubierta que proteja de la exposición a la energía de microondas.

Consulte las instrucciones en el apartado "Materiales que puede utilizar en el horno microondas o que debe evitar en el horno microondas". Es posible que haya ciertos utensilios no metálicos que no sean seguros para usar en el microondas. En caso de duda, puede probar el utensilio en cuestión siguiendo el procedimiento que se indica a continuación.

Comprobación del utensilio:

1. Llene un recipiente apto para el microondas con 1 taza de agua fría (250 ml) junto con el utensilio en cuestión.
2. Cocine a potencia máxima durante 1 minuto.
3. Con cuidado, toque el utensilio. Si el utensilio vacío está caliente, no lo utilice para cocinar en el microondas.
4. No supere el tiempo de cocción de 1 minuto.

## Materiales que se pueden utilizar en el horno microondas

Utensilios	Observaciones
Molde para browning	Siga las instrucciones del fabricante. El fondo del plato para dorar debe quedar de al menos 3/16 pulgadas (5 mm) por encima del plato giratorio. El uso incorrecto puede causar que el plato giratorio se rompa.
Vajilla	Sólo apto para microondas. Siga las instrucciones del fabricante. No utilice platos agrietados o astillados.
Frascos de vidrio	Quite siempre la tapa. Utilícelos sólo para calentar ligeramente los alimentos. La mayoría de los frascos de vidrio no son resistentes al calor y pueden romperse.
Cristalería	Sólo cristalería de horno resistente al calor. Asegúrese de que no tengan adornos metálicos. No utilice platos agrietados o astillados.
Bolsas de cocción para el horno	Siga las instrucciones del fabricante. No las cierre con bridas metálicas. Abra hendiduras para permitir que salga el vapor.
Platos y tazas de papel	Utilícelas sólo para cocinar/calentar durante un breve periodo de tiempo. No deje el horno sin vigilancia mientras cocina.
Servilletas de papel	Utilizar para cubrir los alimentos para recalentarlos y absorber la grasa. Utilizar con supervisión sólo para una cocción de corta duración.
Papel de pergamino	Utilícelo a modo de tapa para evitar salpicaduras o como envoltorio para cocinar al vapor.
Plástico	Sólo apto para microondas. Siga las instrucciones del fabricante. Debe estar etiquetado como "Seguro para microondas". Algunos recipientes de plástico se reblandecen al calentarse los alimentos de su interior. "En las bolsas de ebullición" y en las bolsas de plástico cerradas herméticamente se deben hacer cortes, perforaciones o aberturas de ventilación según las indicaciones del envase.
Envoltorio de plástico	Sólo apto para microondas. Utilizar para cubrir los alimentos durante la cocción para retener la humedad. No permita que el envoltorio de plástico toque los alimentos.
Termómetros	Sólo aptos para microondas (termómetros para carne y caramelo).
Papel de cera	Utilizar a modo de tapa para evitar las salpicaduras y retener la humedad.

## Materiales que deben evitarse en el horno microondas

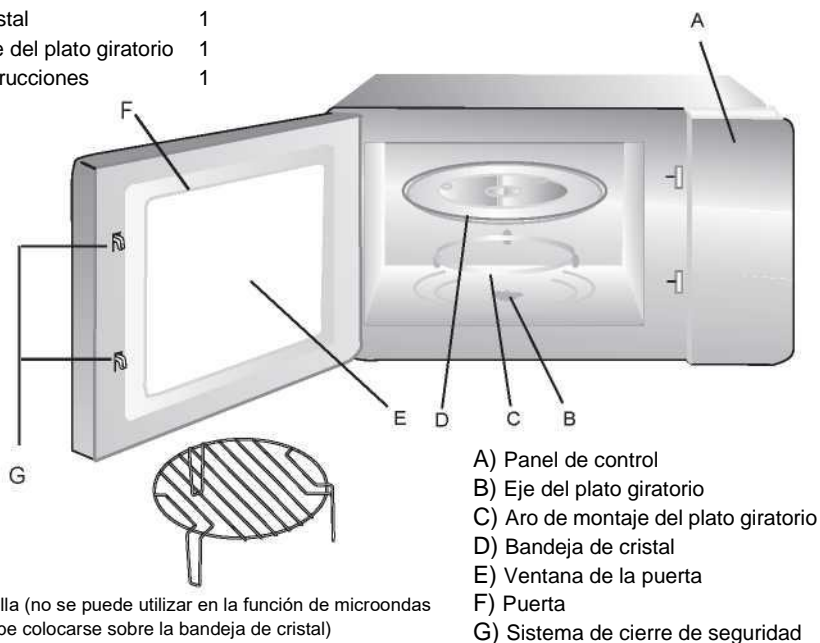
Utensilios	Observaciones
Bandeja de aluminio	Puede provocar un arco eléctrico. Cambie los alimentos a un plato apto para microondas.
Envase de cartón para alimentos con asa metálica	Puede provocar un arco eléctrico. Cambie los alimentos a un plato apto para microondas.
Utensilios de metal o con adornos metálicos	El metal protege a los alimentos de la energía de las microondas. Los adornos metálicos pueden provocar la formación de arcos eléctricos.
Bridas de metal	Puede provocar un arco eléctrico y causar fuego en el horno.
Bolsas de papel	Puede provocar fuego en el horno.
Espuma plástica	La espuma plástica puede derretirse o contaminar el líquido interior cuando se expone a altas temperaturas.
Madera	Al utilizarla en el horno microondas, la madera se seca y puede partirse o agrietarse.

# CONFIGURACIÓN DEL HORNO

## Nombres de las piezas y accesorios del horno

Saque el horno y todos los materiales de la caja y de la cavidad de cocción del horno. Su horno incluye los siguientes accesorios:

Bandeja de cristal	1
Aro de montaje del plato giratorio	1
Manual de instrucciones	1



Parrilla (no se puede utilizar en la función de microondas y debe colocarse sobre la bandeja de cristal)

## Instalación del plato giratorio

Eje (parte inferior)

Bandeja de

Eje del plato giratorio

Aro de montaje del plato giratorio

- No coloque nunca la bandeja de cristal boca abajo. La bandeja de cristal nunca debe quedar atascada.
- Tanto la bandeja de cristal como el aro de montaje del plato giratorio deben utilizarse siempre durante la cocción.
- Todos los alimentos y recipientes de comida deben colocarse siempre en la bandeja de cristal para cocinar.
- Si la bandeja de cristal o el aro de montaje del plato giratorio se agrietan o se rompen, póngase en contacto con el servicio técnico autorizado más cercano.

## Instalación y conexión

1. Este aparato está destinado exclusivamente al uso en el ámbito doméstico.
2. Este horno está diseñado únicamente para ser encastrado. No ha sido diseñado para utilizarse en la encimera ni en el interior de un armario.
3. Observe y siga las instrucciones especiales para la instalación.
4. El electrodoméstico puede instalarse en un armario de pared de 60 cm de ancho.
5. Este electrodoméstico está equipado con una clavija y solo debe conectarse a un enchufe con toma de tierra debidamente instalado.
6. La tensión de la red debe corresponder a la especificada en la placa de características.
7. Tanto la instalación de la toma de corriente como la sustitución del cable de conexión deben ser realizadas únicamente por un electricista cualificado. Si después de la instalación ya no se puede acceder al enchufe, debe disponerse de un dispositivo de desconexión de todos los polos en el lado de la instalación con una distancia de contacto de al menos 3 mm.
8. No se deben utilizar adaptadores, regletas multivías y cables prolongadores. La sobrecarga puede provocar un riesgo de incendio.

**La superficie que queda accesible puede calentarse durante el funcionamiento.**



# Instrucciones de instalación

Lea detenidamente el manual antes de la instalación

## Por favor, tenga en cuenta

### Conexión eléctrica

Este horno está equipado con una clavija y solo debe conectarse a un enchufe con toma de tierra debidamente instalado. La instalación de la toma de corriente y la sustitución del cable de conexión sólo deben ser realizadas por un electricista cualificado y de acuerdo con la normativa vigente.

Si después de la instalación ya no se puede acceder al enchufe, debe disponerse de un interruptor de aislamiento onnipolar en el lado de la instalación con una separación de contactos de al menos 3 mm.

El armario empotrado no debe tener una pared trasera detrás del electrodoméstico. Debe mantenerse un espacio entre la pared y la base de la unidad superior. El tamaño específico del hueco puede consultarse a partir de los diagramas.

Altura mínima de instalación: 85 cm.


No cubra las ranuras de ventilación ni los orificios de aspiración.

### Nota:

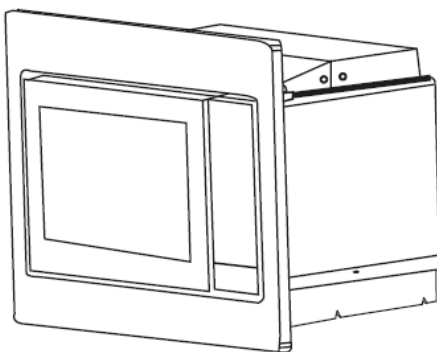
no aprisione ni doble el cable de alimentación.

 Tornillo A

 Tornillo B

 Placa de montaje

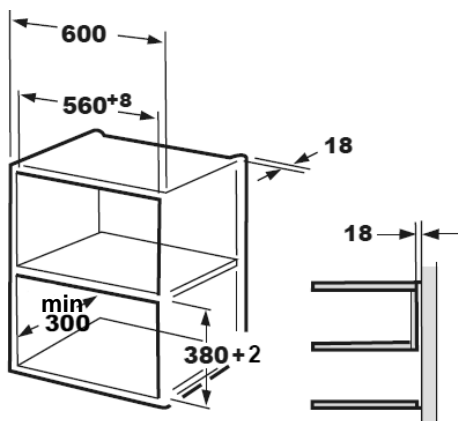
  
Tapa de plástico  
del kit de moldura



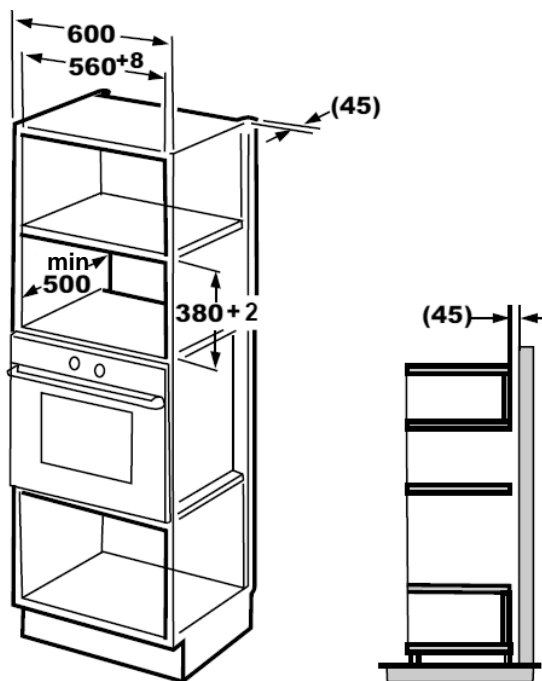


## A. Muebles empotrados

1.



2.



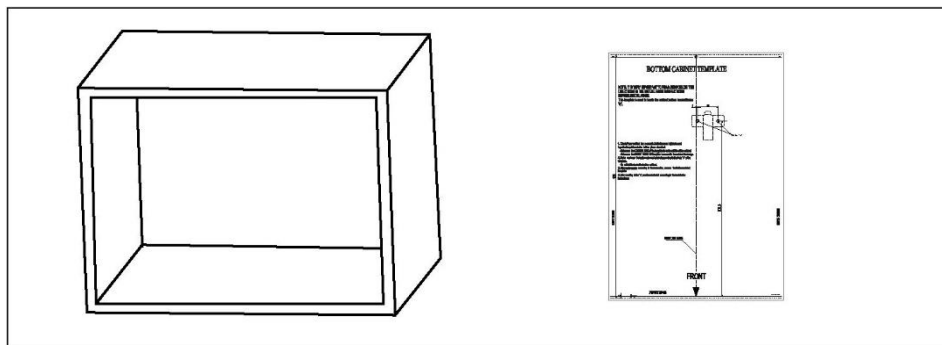
### Nota:

La placa de montaje y la plantilla del armario inferior son necesarias cuando al efectuar el montaje en ambas instalaciones.

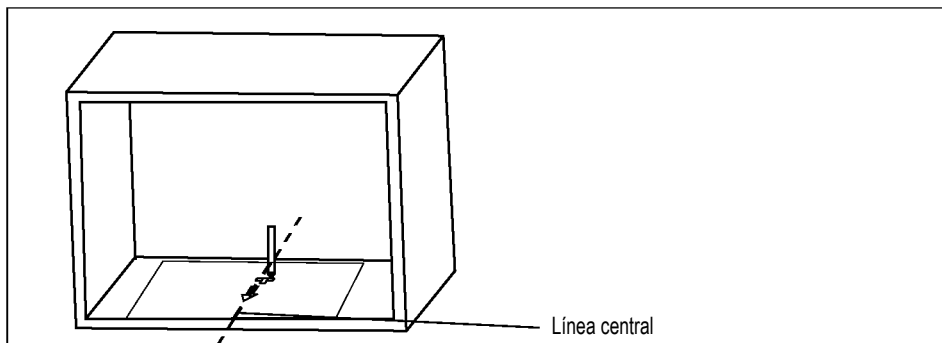
## B. Preparar el armario.

❗ Omite este paso si la profundidad del armario está dentro del rango de 300-340 mm.

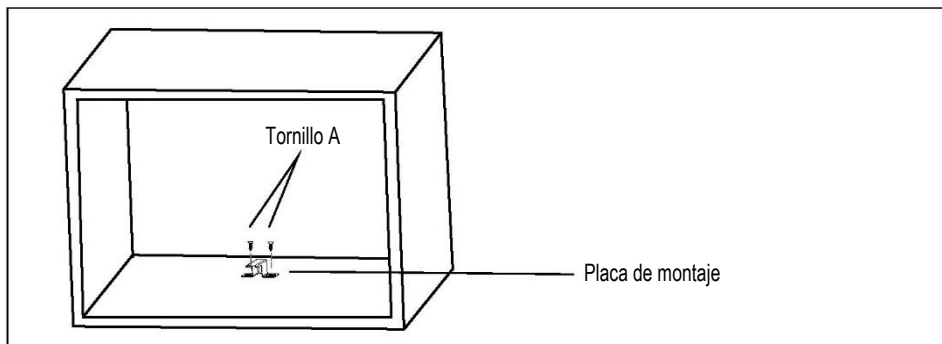
1. Lea las instrucciones de la PLANTILLA DEL ARMARIO INFERIOR; coloque la plantilla en el plano inferior del armario.



2. Haga las marcas en el plano inferior del armario de acuerdo con las marcas "a" de la plantilla



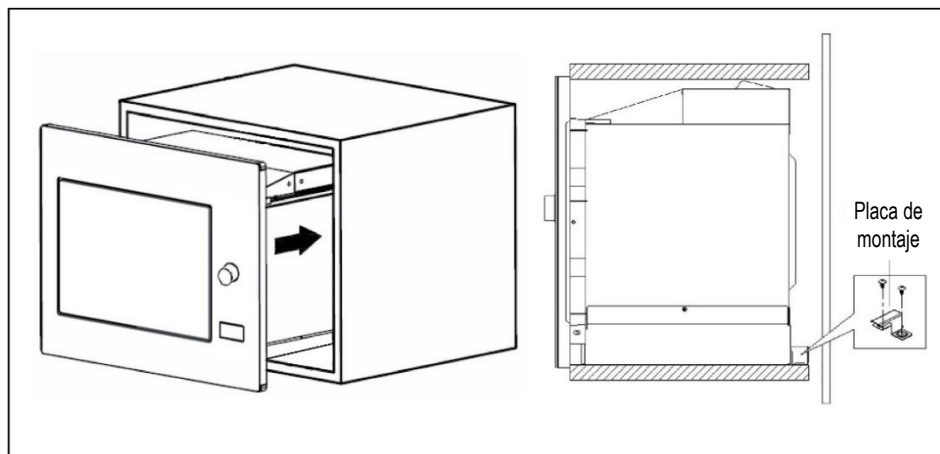
3. Retire la plantilla del armario inferior y fije la placa de montaje con el tornillo A.



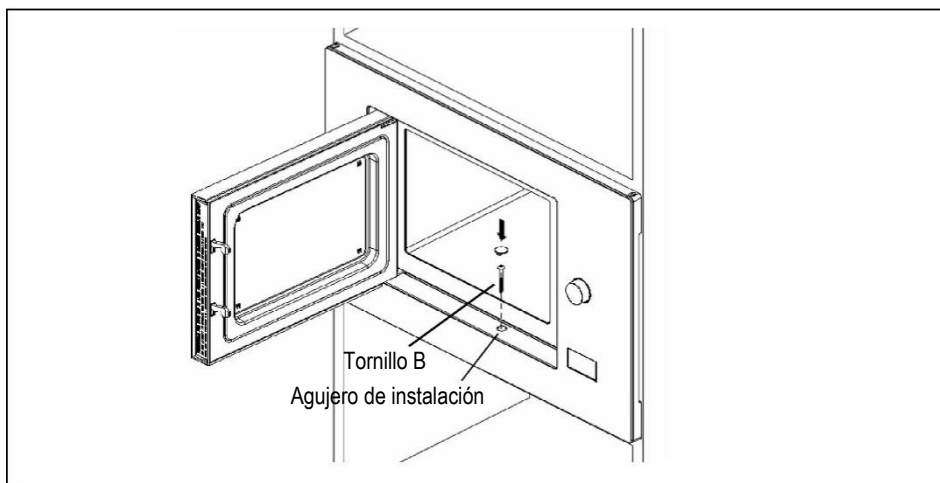
## C. Instale el horno.

4. Instale el horno dentro del armario.

- Asegúrese de que la parte trasera del horno quede bloqueada por la placa de montaje, si la hay.
- Tenga cuidado de no aprisionar o retorcer el cable de alimentación.



5. Abra la puerta, fije el horno al mueble con el tornillo B, en el agujero de instalación. A continuación, fije la tapa de plástico del kit de moldura en el orificio de instalación.




# Instrucciones de funcionamiento

## 1. Ajuste del reloj

Cuando el horno microondas está conectado a la red eléctrica, la pantalla LED mostrará "0:00" y el zumbador sonará una vez.

1) Pulse «Reloj/Temporizador de cocina» una vez para seleccionar la función del reloj, las cifras de la hora parpadearán.


---

2) Gire «» para ajustar las cifras de la hora, la hora introducida debe ser entre 0 y 23.

---

3) Pulse «Reloj/Temporizador de cocina», las cifras de minuto parpadearán.

---

4) Gire «» para ajustar las cifras de minuto, los minutos introducidos deben ser entre 0 y 59.

---

5) Pulse «Reloj/Temporizador de cocina» para finalizar la configuración del reloj. ":" parpadeará y se mostrará la hora.

Nota: 1) Si no se ajusta el reloj, este no funcionará cuando se encienda.

2) Durante el proceso de ajuste del reloj, si pulsa "Detener/Borrar", el horno volverá automáticamente al estado anterior.

## 2. Cocción en el horno microondas

Pulse «Micro./Grill/Combi.» una vez, en la pantalla se mostrará «P100».

Pulse «Micro./Grill/Combi.» varias veces o gire «» para elegir la potencia que desee; «P100», «P80», «P50», «P30» o «P10» aparecerán cada vez que pulse. A continuación pulse

«Iniciar/+30Seg./Confirmar» para confirmar y gire «» para ajustar el tiempo de cocción desde 0:05 hasta 95:00. Pulse «Iniciar/+30Seg./Confirmar» para comenzar a cocinar.

Ejemplo: Si desea utilizar el 80% de la potencia del microondas para cocinar durante 20 minutos, puede hacer funcionar el horno como se indica a continuación.

1) Pulse «Micro./Grill/Combi.» una vez, en la pantalla se mostrará «P100».

---

2) Pulse «Micro./Grill/Combi.» una vez más o gire «» para elegir un 80% de potencia de microondas.

---

3) Pulse «Iniciar/+30Seg./Confirmar» para confirmar, en la pantalla aparece «P80».

---

4) Gire «» para ajustar el tiempo de cocción hasta que en la pantalla del horno se muestre «20:00».

---


5) Pulse «Iniciar/+30Seg./Confirmar» para comenzar a cocinar.


Nota: el selector permite aumentar o disminuir el tiempo de cocción en los siguientes incrementos:

0---1 min	:	5 segundos
1---5 min	:	10 segundos
5---10 min	:	30 segundos
10---30 min	:	1 minuto
30---95 min	:	5 minutos



«Micro./Grill/Combi». Comando	Visualización en la pantalla	Potencia del microondas	Potencia del grill
1	P100	100%	
2	P80	80%	
3	P50	50%	
4	P30	30%	
5	P10	10%	
6	G	0%	100%
7	C-1	55%	45%
8	C-2	36%	64%

### 3. Grill o combinado. Cocción

Pulse «Micro./Grill/Combi.», el LED mostrará «P100», y pulse «Micro./Grill/Combi.» repetidas veces o gire «» para elegir la potencia que desee; «G», «C-1» o «C-2» aparecerán cada vez que pulse.


A continuación pulse «Iniciar/+30Seg./Confirmar» para confirmar y gire «» para ajustar el tiempo de cocción desde 0:05 hasta 95:00. Pulse «Iniciar/+30Seg./Confirmar» para comenzar a cocinar.

Ejemplo: Si desea utilizar el 55% de la potencia del microondas y el 45% de la potencia del grill (C-1) para cocinar durante 10 minutos, puede hacer funcionar el horno según los siguientes pasos.

- 1) Pulse «Micro./Grill/Combi.» una vez, en la pantalla se mostrará «P100».
- 2) Pulse «Micro./Grill/Combi.» varias veces o gire «» para elegir Combi. 1 modo.
- 3) Pulse «Iniciar/+30Seg./Confirmar» para confirmar, en la pantalla aparece «C-1».
- 4) Gire «» para ajustar el tiempo de cocción hasta que en la pantalla del horno se muestre «10:00».
- 5) Pulse «Iniciar/+30Seg./Confirmar» para comenzar a cocinar.

Nota: Si transcurre la mitad del tiempo del modo grill, el horno emitirá dos pitidos que son normales. Para obtener un mejor efecto de asado de los alimentos, debe dar la vuelta a los alimentos, cerrar la puerta y, a continuación, pulsar "Iniciar/+30Seg./Confirmar" para continuar la cocción. Si no se realiza ninguna operación, el horno seguirá cocinando.


#### 4. Inicio rápido

- 1) En el estado de espera, pulse «Iniciar/+30Seg./Confirmar» para iniciar la cocción con el 100% de potencia durante 30 segundos; cada vez que vuelva a pulsar aumentará el tiempo de cocción en 30 segundos hasta los 95 minutos.
- 2) En el estado de microondas, grill, cocción combinada o tiempo de descongelación, cada vez que pulse «Iniciar/+30Seg./Confirmar» puede aumentar 30 segundos el tiempo de cocción.
- 3) En estado de espera, gire «» para establecer el tiempo de cocción a 100% de potencia de microondas.  
Después de elegir el tiempo de cocción, pulse «Iniciar/+30Seg./Confirmar» para iniciar la cocción.

#### 5. Descongelación por peso

- 1) Pulse «Peso/Tiempo de descongelación» una vez, en la pantalla aparecerá «dEF1».

---

- 2) Gire «» para seleccionar el peso del alimento de entre 100 y 2000 g.


---

- 3) Pulse «Iniciar/+30Seg./Confirmar» para comenzar a descongelar.

#### 6. Descongelación por tiempo

- 1) Pulse «Peso/Tiempo de descongelación» dos veces, en la pantalla aparecerá «dEF2».


---

- 2) Gire «» para seleccionar el tiempo de descongelación. El tiempo máximo es de 95 minutos.


---

- 3) Pulse «Iniciar/+30Seg./Confirmar» para comenzar a descongelar. La potencia de descongelación es P30, y no se cambiará.


#### 7. Temporizador de cocina

- 1) Pulse «Reloj/Temporizador de cocina» dos veces, el LED mostrará 00:00.
  - 2) Gire «» para introducir el temporizador correcto. (El tiempo máximo de cocción es de 95 minutos.)
  - 3) Pulse «Iniciar/+30Seg./Confirmar» para confirmar el ajuste.
  - 4) Cuando se alcance el tiempo de cocción, el indicador del temporizador se apagará. El zumbador sonará 5 veces. Si se ha ajustado el reloj (24 horas), se mostrará la hora actual en la pantalla LED.
- Nota: El temporizador de cocina es diferente del sistema de 24 horas, el temporizador de cocina es un temporizador.

## 8. Menú Auto

1) Gire «  » a la derecha para elegir el menú; se mostrará «A-1» - «A-8».

2) Pulse «Iniciar/+30Seg./Confirmar» para confirmar.


3) Gire «  » para elegir el peso por defecto a partir del gráfico del menú.

4) Pulse «Iniciar/+30Seg./Confirmar» para comenzar a cocinar.

Ejemplo: Si desea utilizar el "Menú Auto" para cocinar el pescado para un peso de 350g.

1) Gire «  » en el sentido de las agujas del reloj hasta que aparezca «A-6».

2) Pulse «Iniciar/+30Seg./Confirmar» para confirmar.

3) Gire «  » para seleccionar el peso del pescado hasta que se muestre «350» en la pantalla.

4) Pulse «Iniciar/+30Seg./Confirmar» para comenzar a cocinar.

La tabla de menús:

Menú	Peso	Pantalla
A-1 Pizza	200 g	200
	400 g	400
A-2 Carne	250 g	250
	350 g	350
	450 g	450
A-3 Verdura	200 g	200
	300 g	300
	400 g	400
A-4 Pasta	50 g (con 450 ml de agua fría)	50
	100g (con 800 ml de agua fría)	100
A-5 Patata	200 g	200
	400 g	400
	600 g	600
A-6 Pescado	250 g	250
	350 g	350
	450 g	450
A-7 Bebidas	1 taza (120 ml)	1
	2 tazas (240 ml)	2
	3 tazas (360ml)	3
A-8 Palomitas de maíz	50 g	50
	100 g	100


## 9. Cocinar en varias secciones

Como máximo, se pueden programar 2 secciones para la cocción. En la cocción de varias secciones, si una de ellas se descongela, la descongelación se realizará en la primera sección automáticamente.

Ejemplo: Si desea descongelar el alimento durante 5 minutos y luego cocinar con el 80% de la potencia del microondas durante 7 minutos, proceda de la siguiente manera:

- 1) Pulse «**Peso/Tiempo de descongelación**» dos veces, en la pantalla aparecerá «dEF2».


---

- 2) Gire «» para seleccionar el tiempo de descongelación hasta que se muestre «5:00» en la pantalla.

---

- 3) Pulse «**Micro./Grill/Combi.**» una vez, en la pantalla se mostrará «P100».


---

- 4) Pulse «**Micro./Grill/Combi.**» una vez más o gire «» para elegir un 80% de potencia de microondas.

---

- 5) Pulse «**Iniciar/+30Seg./Confirmar**» para confirmar, en la pantalla aparece «P 80».

---

- 6) Gire «» para ajustar el tiempo de cocción hasta que en la pantalla del horno se muestre «07:00».

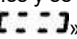
---

- 7) Pulse «**Iniciar/+30Seg./Confirmar**» para iniciar la cocción. El zumbador sonará una vez para la primera sección mientras sigue contando el tiempo de descongelación; el zumbador sonará una segunda vez más al comenzar la segunda cocción, cuando finalice la cocción el zumbador sonará cinco veces.

## 10. Función de consulta

- 1) En los estados de microondas, grill y cocción combinada, pulse «**Micro./Grill/Combi.**», para ver la potencia actual durante 3 segundos. Después de 3 segundos, el horno volverá al estado anterior.
- 2) En el estado de cocción, pulse «**Reloj/Temporizador de cocina**» para consultar el tiempo, que se mostrará durante 3 segundos.

## 11. Función de bloqueo para niños

Bloqueo: En estado de espera, pulse «**Detener/Borrar**» durante 3 segundos; se emitirá un pitido largo que indica que se ha entrado en el estado de bloqueo para niños y se mostrará la hora actual si se ha ajustado la hora, de lo contrario, se mostrará «» en la pantalla LED.

Salir del modo de bloqueo: En el estado de bloqueo, pulse «**Detener/Borrar**» durante 3 segundos; se emitirá un pitido largo que indica que se ha cancelado el bloqueo.



## Resolución de problemas

<b>Normal</b>	
El horno microondas interfiere en la recepción de la televisión	La recepción de radio y televisión puede verse afectada cuando el horno microondas está en funcionamiento. Se trata de una interferencia similar a la que causan los pequeños electrodomésticos, como la batidora, la aspiradora y el ventilador eléctrico. Se trata de algo normal.
Luz del horno tenue	En la cocción con el horno microondas a baja potencia, es posible que la luz del horno se atenúe. Se trata de algo normal.
Acumulación de vapor en la puerta, salida de aire caliente por las rejillas de ventilación	Al cocinar, puede salir vapor de los alimentos. La mayoría del vapor sale por las rejillas de ventilación. Pero puede acumularse algo de vapor en un lugar más frío, como la puerta del horno. Se trata de algo normal.
El horno se pone en marcha accidentalmente sin comida dentro.	Queda prohibido hacer funcionar la unidad sin ningún alimento en su interior. Es muy peligroso.

<b>Problema</b>	<b>Causa posible</b>	<b>Solución</b>
El horno no se puede poner en marcha.	(1) El cable de alimentación no está bien enchufado.	Desenchúfelo. Vuelva a enchufarlo transcurridos 10 segundos.
	(2) Salta el fusible o el disyuntor del circuito.	Sustituya el fusible o restablezca el disyuntor de circuito (reparado por personal profesional de nuestra empresa)
	(3) Problemas con la toma de corriente.	Pruebe la toma de corriente con otros aparatos eléctricos.
El horno no calienta.	(4) La puerta no está bien cerrada.	Cierre bien la puerta.



Según la directiva sobre residuos de aparatos eléctricos y electrónicos (RAEE), los RAEE deben recogerse y tratarse por separado. Si en cualquier momento en el futuro necesita desechar este producto, no lo haga junto con los residuos domésticos. Envíe este producto a puntos de recogida de RAEE, donde los haya.

## PRECAUZIONI PER EVITARE LA POSSIBILE ESPOSIZIONE A UN'ECESSIVA ENERGIA A MICROONDE

(a) Per evitare esposizioni nocive all'energia a microonde, non provare a utilizzare questo forno con lo sportello aperto. Prestare particolare attenzione a non danneggiare o manomettere gli interblocchi di sicurezza.

(b) Non collocare alcun oggetto tra il lato anteriore del forno e lo sportello. Evitare l'accumulo di sporcizia o residui di detersivo sulle superfici di tenuta.

(c) **AVVERTENZA:** in caso di danni allo sportello o alle guarnizioni dello sportello, utilizzare il forno solo dopo che è stato riparato da una persona competente.

## ALTRE ISTRUZIONI

Se l'apparecchio non viene mantenuto pulito, la superficie potrebbe danneggiarsi, l'apparecchio potrebbe durare meno e potrebbe causare situazioni pericolose.

## Specifiche

Modello:	MIG1730DX
Tensione nominale:	230 V ~ 50 Hz
Potenza nominale in ingresso (microonde):	1050 W
Potenza nominale in uscita (microonde):	700 W
Potenza nominale in ingresso (grill):	1000 W
Capacità del forno:	17 litri
Diametro del piatto girevole:	Ø 245 mm
Dimensioni esterne:	595×320×388 mm
Peso netto:	circa 15 kg

## **ISTRUZIONI E AVVERTENZE IMPORTANTI PER LA SICUREZZA**

Per ridurre il rischio di incendi, scosse elettriche, lesioni personali o esposizione a un'energia eccessiva del forno a microonde durante l'uso, attenersi alle precauzioni basilari e alle seguenti avvertenze:

1. Leggere e rispettare le specifiche "PRECAUZIONI PER EVITARE LA POSSIBILE ESPOSIZIONE A UN'ECESSIVA ENERGIA A MICROONDE".
2. Questo elettrodomestico può essere utilizzato da bambini di almeno 8 anni, da persone con ridotte capacità fisiche, sensoriali o mentali e da persone inesperte solo sotto stretta sorveglianza o se hanno appreso le modalità di utilizzo sicuro dell'elettrodomestico e sono consapevoli dei relativi pericoli. Impedire ai bambini di giocare con l'elettrodomestico. La pulizia e la manutenzione non devono essere effettuate da bambini di età inferiore a 8 anni senza supervisione. Tenere lontani i bambini di età inferiore a 8 anni se non sono sorvegliati continuamente.
3. Tenere l'elettrodomestico e il cavo fuori dalla portata di bambini di età inferiore a 8 anni.
4. Se il cavo di alimentazione è danneggiato, deve essere sostituito dal fabbricante, da un tecnico dell'assistenza o da una persona con analogha qualifica per evitare rischi (per elettrodomestici con attacco a Y).
5. **AVVERTENZA:** per evitare scosse elettriche, accertarsi che l'elettrodomestico sia spento prima di sostituire la lampadina.

6. **AVVERTENZA:** le operazioni di manutenzione e riparazione che implicano la rimozione degli involucri possono essere pericolose se non effettuate da personale competente, dal momento che causano l'esposizione all'energia a microonde.
7. **AVVERTENZA:** non riscaldare liquidi o altri alimenti in contenitori sigillati perché potrebbero esplodere.
8. Quando si riscaldano alimenti contenuti in una vaschetta in plastica o carta, controllare frequentemente il forno perché i contenitori potrebbero incendiarsi.
9. Adoperare solo utensili da cucina idonei all'uso nei forni a microonde.
10. Se il forno emette fumo, spegnerlo o scollegarlo dall'alimentazione elettrica e mantenere chiuso lo sportello per evitare la propagazione alle fiamme.
11. Il riscaldamento di bevande nel forno a microonde può provocare una violenta ebollizione ritardata, per cui manipolare il contenitore con cautela.
12. Per evitare ustioni, mescolare e agitare il contenuto di biberon e barattoli contenenti alimenti per neonati, e controllare la temperatura prima del consumo.
13. Non riscaldare nel microonde uova col guscio e uova sode intere perché potrebbero esplodere anche dopo la fine della cottura.
14. È indispensabile pulire regolarmente il forno e rimuovere tutti i residui di alimenti.
15. Se il forno non viene tenuto sempre pulito, le superfici potrebbero deteriorarsi, riducendo la durata dell'elettrodomestico e causando situazioni pericolose.

16. Utilizzare solo la sonda di temperatura consigliata per questo forno (per i forni dotati di apparecchiature per l'uso di una sonda di rilevamento della temperatura).

17. Il forno a microonde deve essere azionato con lo sportello decorativo aperto (per forni con sportello decorativo).

18. Questo elettrodomestico è destinato all'uso domestico e a utilizzi simili a quelli di seguito indicati:

- zone cucina per il personale di negozi, uffici e altri ambienti lavorativi;
- clienti di hotel, motel e altri ambienti residenziali;
- agriturismi;
- bed & breakfast.

19. Il forno a microonde è progettato per riscaldare alimenti e bevande. L'asciugatura di alimenti o indumenti e il riscaldamento di cuscinetti scaldanti, pantofole, spugne, panni bagnati e simili può provocare lesioni o innescare incendi.

20. Non è consentito utilizzare contenitori metallici per alimenti e bevande durante la cottura a microonde.

21. Non pulire l'apparecchio con elettrodomestici a vapore.

22. Quando i contenitori vengono rimossi dall'elettrodomestico, non spostare il piatto girevole. (Per gli elettrodomestici fissi e a incasso, dotati di piatti girevoli staccabili, utilizzati a un'altezza minima di 90 cm dal pavimento. Non riguarda elettrodomestici dotati di sportello incernierato orizzontale).

23. Il forno a microonde deve essere utilizzato a incasso.
24. Non adoperare elettrodomestici per la pulizia a vapore.
25. La superficie del cassetto di stoccaggio potrebbe riscaldarsi.
26. **AVVERTENZA:** l'elettrodomestico e i componenti accessibili diventano molto caldi durante l'uso. Non toccare le resistenze. Tenere lontani i bambini di età inferiore a 8 anni se non sono sorvegliati continuamente.
27. Durante l'uso, l'elettrodomestico diventa caldo. Non toccare le resistenze all'interno del forno.
28. **AVVERTENZA:** durante l'uso, i componenti accessibili potrebbero diventare caldi. Tenere lontani i bambini.
29. Per evitare che l'elettrodomestico si surriscaldi, non installarlo dietro uno sportello decorativo (non riguarda elettrodomestici dotati di sportello decorativo).
30. **AVVERTENZA:** in modalità combinata, l'uso del forno è consentito ai bambini solo sotto la supervisione di un adulto a causa delle alte temperature prodotte.
31. Non adoperare detersivi aggressivi e abrasivi o raschietti metallici affilati per pulire il vetro dello sportello del forno, altrimenti la superficie potrebbe graffiarsi e il vetro potrebbe frantumarsi.

**LEGGERE ATTENTAMENTE QUESTE ISTRUZIONI  
E CONSERVARLE PER FUTURI RIFERIMENTI**

# Installazione del collegamento a terra per ridurre il rischio di lesioni personali

## PERICOLO

Per evitare scosse elettriche e lesioni personali gravi o fatali, non toccare gli elementi interni. Non smontare questo elettrodomestico.

## AVVERTENZA

Eventuali difetti del collegamento a terra potrebbero provocare scosse elettriche. Se l'elettrodomestico non è installato e collegato correttamente a terra, non collegarlo alla presa elettrica.

L'elettrodomestico deve essere dotato di messa a terra.

In caso di cortocircuito, il collegamento a terra limita il rischio di scosse elettriche in quanto il conduttore di terra garantisce un percorso per la dissipazione della corrente elettrica.

Questo elettrodomestico è fornito con un cavo dotato di un conduttore di terra e di una spina di messa a terra. La spina deve essere collegata a una presa correttamente installata e dotata di messa a terra.

In caso di dubbi relativi al collegamento a terra dell'elettrodomestico, consultare un tecnico o un elettricista qualificato. Se è necessario adoperare una prolunga, utilizzare un cavo tripolare.

1. Il cavo di alimentazione fornito è corto per ridurre i rischi di intrappolamento e inciampo.
2. Se si utilizza un cavo lungo o una prolunga:
  - 1) Le caratteristiche elettriche nominali del cavo o della prolunga devono essere idonee alle caratteristiche elettriche dell'elettrodomestico.
  - 2) L'eventuale prolunga deve essere costituita da un cavo tripolare dotato di conduttore di terra.
  - 3) I cavi lunghi devono essere sistemati in modo che non ciondolino sul top della cucina, per evitare che vengano tirati dai bambini o possano far inciampare.

## **PULIZIA**

Accertarsi che l'elettrodomestico sia scollegato dalla fonte di alimentazione.

1. Pulire la cavità del forno con un panno lievemente bagnato.
2. Pulire gli accessori con acqua e sapone.
3. La cornice dello sportello, la guarnizione e i componenti vicini devono essere puliti attentamente con un panno bagnato se sono sporchi.
4. Non adoperare detersivi aggressivi e abrasivi o raschietti metallici affilati per pulire il vetro dello sportello del forno, altrimenti la superficie potrebbe graffiarsi e il vetro potrebbe frantumarsi.
5. Suggerimento per la pulizia: per facilitare la pulizia delle pareti della cavità che potrebbero entrare a contatto con gli alimenti cotti: collocare mezzo limone in una scodella, aggiungere 300 ml d'acqua e riscaldarla per 10 minuti con il forno a microonde al 100% della potenza. Per pulire il forno, strofinarlo con un panno morbido e asciutto.

## **UTENSILI DA CUCINA**

### **ATTENZIONE**

#### **Rischio di lesioni personali**

le operazioni di manutenzione e riparazione che implicano la rimozione degli involucri possono essere pericolose se non effettuate da personale competente, dal momento che causano l'esposizione all'energia a microonde.

Consultare le istruzioni che indicano i "Materiali utilizzabili e non utilizzabili nel forno a microonde". L'uso di determinati utensili da cucina non metallici non è sicuro per la cottura a microonde. In caso di dubbi, provare l'utensile da cucina effettuando la procedura indicata di seguito.

Prova dell'utensile da cucina:

1. Riempire un contenitore utilizzabile nel forno a microonde con una tazza d'acqua fredda (250 ml) assieme all'utensile da cucina da provare.
2. Accendere il forno alla massima potenza per 1 minuto.
3. Toccare con attenzione l'utensile da cucina. Se l'utensile da cucina vuoto è caldo, non deve essere utilizzato per la cottura a microonde.
4. Non superare il tempo di cottura di 1 minuto.



## Materiali utilizzabili nel forno a microonde

Utensili da cucina	Note
Piatto per doratura	Seguire le istruzioni del fabbricante. Il fondo del piatto per doratura deve trovarsi ad almeno 5 mm al di sopra del piatto girevole. Utilizzi errati potrebbero causare la rottura del piatto girevole.
Stoviglie	Solo quelle utilizzabili nei forni a microonde. Seguire le istruzioni del fabbricante. Non adoperare piatti screpolati o scheggiati.
Barattoli di vetro	Rimuovere sempre il coperchio. Adoperarli solo per riscaldare lievemente gli alimenti. La maggior parte dei barattoli di vetro non resistono al calore e possono rompersi.
Cristalleria	Adoperare solo cristalleria che resiste nei forni a microonde. Accertarsi che non siano presenti finiture metalliche. Non adoperare piatti screpolati o scheggiati.
Sacchetti per la cottura in forno	Seguire le istruzioni del fabbricante. Non chiuderli con fascette metalliche. Creare qualche feritoia per lasciare uscire il vapore.
Piatti e bicchieri di carta	Adoperarli solo per cottura o riscaldamento breve. Non lasciare il forno incustodito durante la cottura.
Carta assorbente	Adoperarla per coprire gli alimenti per riscaldarli e assorbire i grassi. Adoperarla solo per cotture brevi, senza lasciare incustodito il forno.
Carta da forno	Adoperarla come coperchio per evitare schizzi o per la cottura a vapore.
Plastica	Solo quelle utilizzabili nei forni a microonde. Seguire le istruzioni del fabbricante. Deve essere presente un'apposita etichetta indicante che è possibile utilizzarla nei forni a microonde. Alcuni contenitori in plastica si ammorbidiscono quando gli alimenti diventano caldi. Se si utilizzano sacchetti per la cottura e sacchetti in plastica chiusi ermeticamente, praticare piccoli tagli o fori come indicato sulla confezione.
Pellicola di plastica	Solo quelle utilizzabili nei forni a microonde. Utilizzarla per coprire gli alimenti durante la cottura per trattenere l'umidità. Evitare il contatto della plastica con gli alimenti.
Termometri	Solo quelli utilizzabili nei forni a microonde (termometri per la carne e i dolci).
Carta cerata	Adoperarla come coperchio per evitare schizzi o per trattenere l'umidità.

## Materiali da evitare nel forno a microonde

Utensili da cucina	Note
Vaschette di alluminio	Possono causare archi elettrici. Trasferire gli alimenti in un piatto adatto alla cottura a microonde.
Cartone per alimenti con maniglie metalliche	Possono causare archi elettrici. Trasferire gli alimenti in un piatto adatto alla cottura a microonde.
Utensili da cucina in metallo o con finiture metalliche	Il metallo scherma gli alimenti dall'energia a microonde. Le finiture metalliche possono causare archi elettrici.
Fascette metalliche	Possono causare archi elettrici e incendi nel forno.
Sacchetti di carta	Possono causare incendi nel forno.
Materiale espanso plastico	Il materiale espanso plastico può fondere o contaminare il liquido interno quando viene esposto ad alte temperature.
Legno	Quando viene utilizzato nel forno a microonde, il legno si secca e potrebbe creparsi o rompersi.

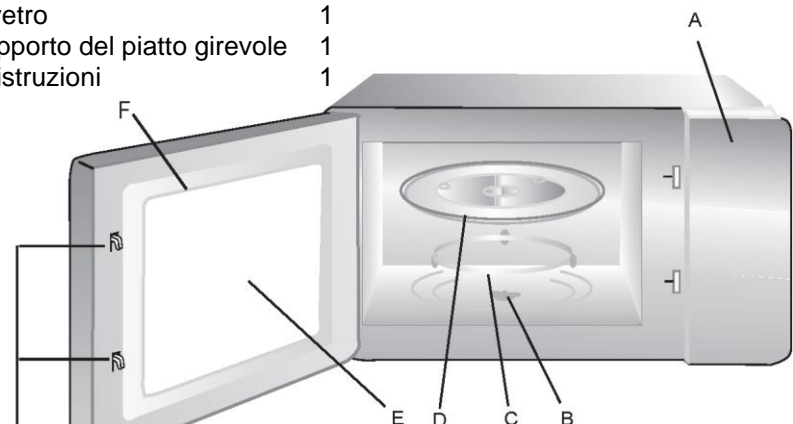
# IMPOSTAZIONE DEL FORNO

## Nomi dei componenti e degli accessori del forno

Togliere il forno e tutti i materiali dal cartone e dalla cavità del forno.

Il forno viene fornito con i seguenti accessori:

Vassoio di vetro	1
Anello di supporto del piatto girevole	1
Manuale di istruzioni	1



- A) Pannello di controllo
- B) Alberino del piatto girevole
- C) Anello di supporto del piatto girevole
- D) Vassoio di vetro
- E) Finestra di ispezione
- F) Sportello
- G) Sistema di interblocco di sicurezza

Rastrelliera per grill (non può essere utilizzata nella funzione a microonde e deve essere collocata sul vassoio di vetro)

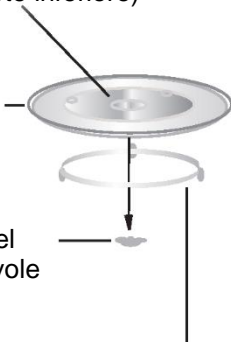
## Installazione del piatto girevole

Mozzo (parte inferiore)

Vassoio di vetro

Alberino del piatto girevole

Anello di supporto del piatto girevole



- a. Non capovolgere il vassoio di vetro. Il vassoio di vetro non deve mai bloccarsi.
- b. Durante la cottura, utilizzare sia il vassoio di vetro che l'anello di supporto del piatto girevole.
- c. Tutti gli alimenti e i contenitori devono essere collocati sempre sul vassoio di vetro per la cottura.
- d. Se il vassoio di vetro o l'anello di supporto del piatto girevole si incrina o si rompe, rivolgersi al centro assistenza autorizzato più vicino.

## **Installazione e collegamento**

1. Questo elettrodomestico è progettato solo per usi domestici.
2. Questo forno è destinato solo per il montaggio a incasso.  
Non è progettato per utilizzarlo sul top di cucina o all'interno di una credenza.
3. Attenersi scrupolosamente alle istruzioni particolari per l'installazione.
4. L'elettrodomestico può essere installato in una credenza montata a parete larga 60 cm.
5. La spina dell'elettrodomestico deve essere collegata solo a una presa dotata di messa a terra.
6. La tensione della rete elettrica deve corrispondere a quella specificata sulla targhetta dei dati.
7. L'installazione della presa e la sostituzione del cavo di collegamento devono essere effettuati solo da un elettricista qualificato. Se non è possibile accedere alla spina dopo l'installazione, predisporre un dispositivo di scollegamento omnipolare dal lato dell'installazione con un margine di contatto di almeno 3 mm.
8. Non adoperare adattatori, prese multiple e prolunghe.  
Eventuali sovraccarichi possono causare incendi.

**La superficie accessibile  
può essere calda durante  
il funzionamento.**



# Istruzioni per l'installazione

Consultare attentamente il manuale prima dell'installazione

## Nota

### Collegamento elettrico

Il forno è dotato di una spina e deve essere collegato solo a una presa dotata di messa a terra. L'installazione della presa e la sostituzione del cavo di collegamento devono essere effettuati solo da un elettricista qualificato e in conformità alle norme vigenti. Se non è possibile accedere alla spina dopo l'installazione, predisporre un interruttore di isolamento onnipolare dal lato dell'installazione con un margine di contatto di almeno 3 mm.

Il vano in cui è installato l'elettrodomestico deve essere sprovvisto di fondo posteriore.

Lasciare spazio tra la parete e la base dell'unità superiore. Per lo spazio necessario, fare riferimento alle immagini.

Altezza minima di installazione: 85 cm.

Non coprire le feritoie di ventilazione e i fori di aspirazione.

### Nota:

Non incastrare o piegare il cavo di alimentazione.



Vite A



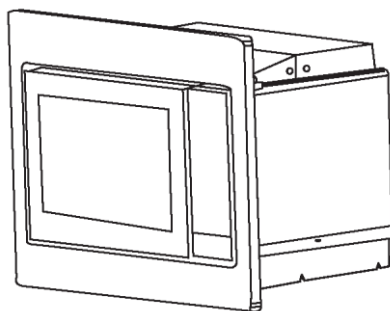
Vite B



Piastra di montaggio

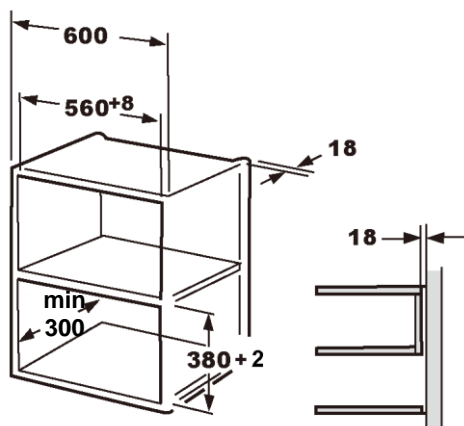


Copertura di finitura in plastica

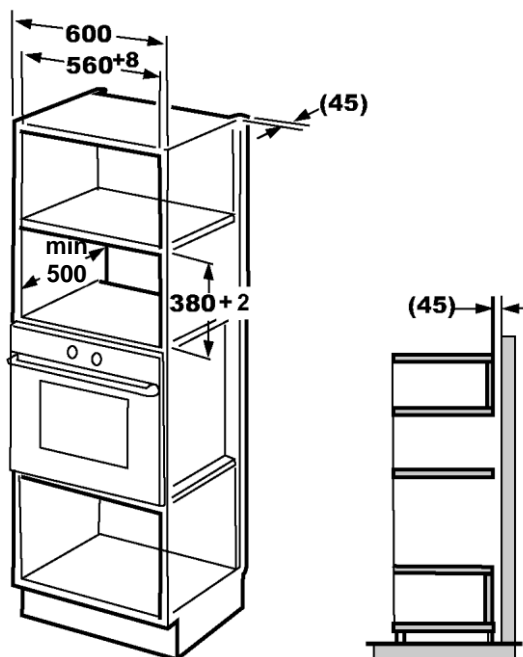


## A. Mobile da incasso

1.



2.



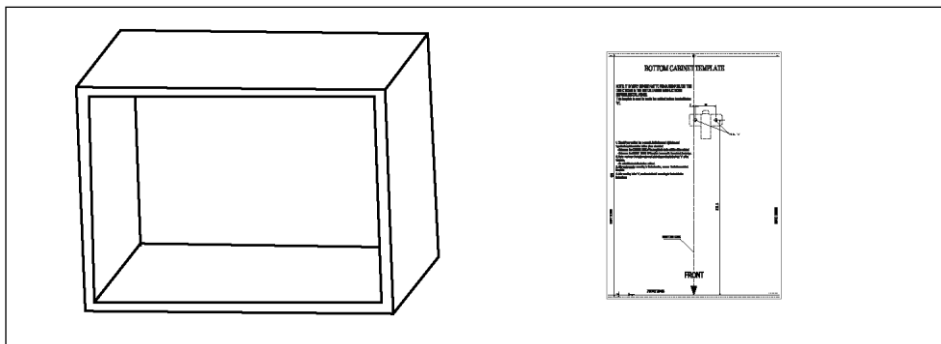
### Nota:

Per l'installazione la piastra di montaggio e la sagoma posteriore del mobile sono sempre necessari.

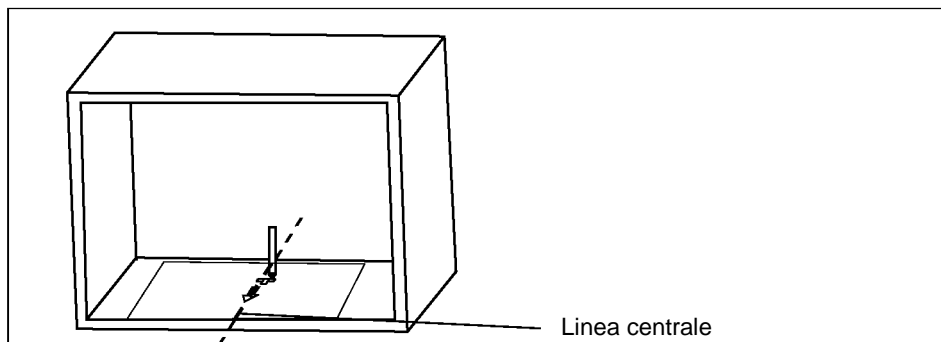
## B. Preparare il mobile

⚠ Se la profondità del mobile è compresa tra 300 e 340 mm, è possibile saltare questo passaggio.

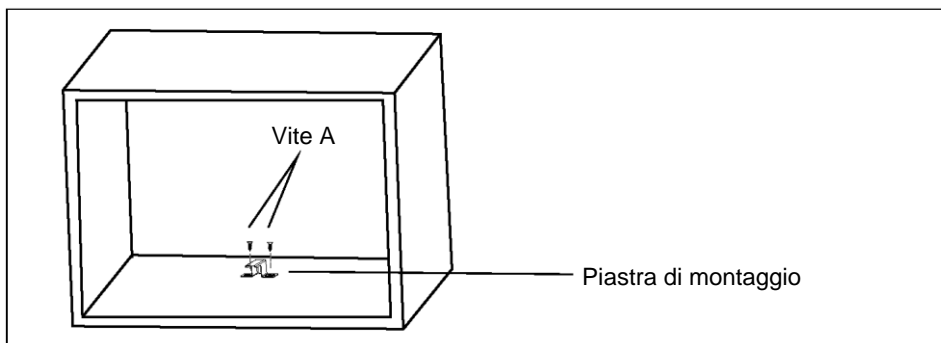
1. Consultare le istruzioni sulla **SAGOMA INFERIORE DEL MOBILE**; collocare la sagoma sul piano inferiore del mobile.



2. Apporre i contrassegni sul piano inferiore del mobile in base ai simboli "a" sulla sagoma.



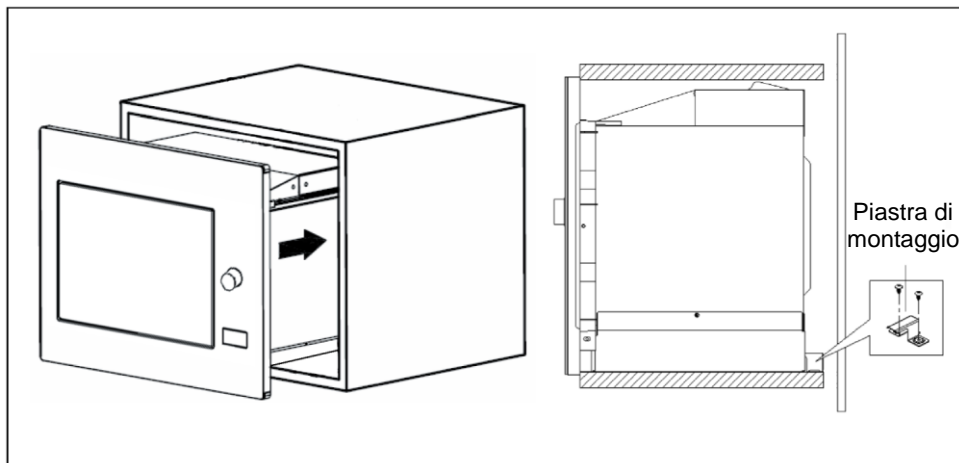
3. Rimuovere la sagoma inferiore del mobile e fissare la piastra di montaggio con la vite A.



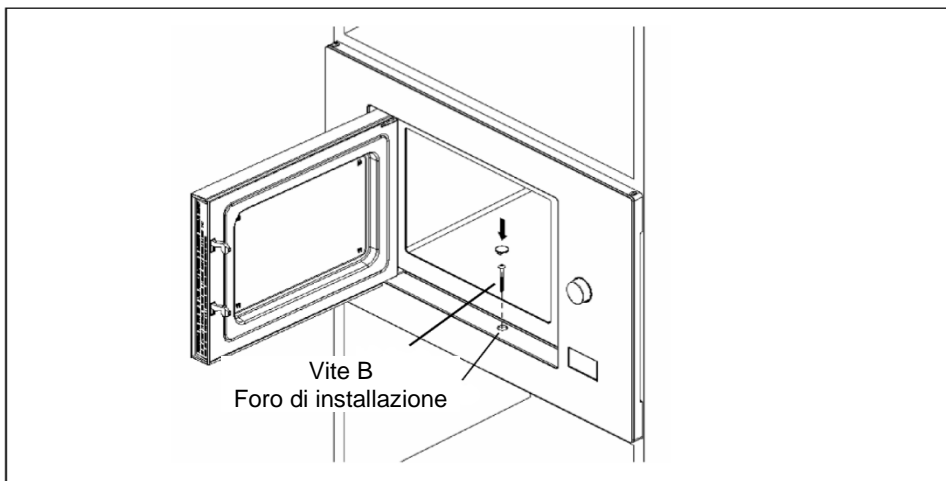
## C. Installare il forno

### 4. Installare il forno sul mobile

- Accertarsi che la parte posteriore del forno sia bloccata dalla piastra di montaggio (se presente).
- Non incastrare o piegare il cavo di alimentazione.



### 5. Aprire lo sportello, fissare il forno al mobile con la vite B inserita nel foro di installazione. Fissare la copertura di finitura in plastica sul foro di installazione.




# Istruzioni per l'uso

## 1. Impostazione dell'orologio

Quando il forno a microonde è alimentato, il LED visualizza "0:00" e viene emesso un singolo segnale acustico.

1) Premere una sola volta "Orologio/Timer per cottura" per selezionare la funzione orologio; in tal modo, le cifre dell'ora lampeggiano.


---

2) Ruotare  " per regolare l'ora (da 0 a 23).

---

3) Premere "Orologio/Timer per cottura"; in tal modo, le cifre dei minuti lampeggiano.

---

4) Ruotare  " per regolare i minuti (da 0 a 59).

---


5) Premere "Orologio/Timer per cottura" per terminare l'impostazione dell'orologio. ":" lampeggerà e l'ora si illuminerà.


Nota: 1) Se non è impostato, l'orologio non funziona quando si accende il forno.

2) Durante il processo di impostazione dell'orologio, se si preme "Stop/Cancel", il forno torna automaticamente allo stato precedente.

## 2. Cottura a microonde

Premere una volta "Micro./Grill/Combi.", lo schermo visualizza "P100". Premere

ripetutamente "Micro./Grill/Combi." o ruotare  " per scegliere la potenza desiderata; in tal modo, il display visualizza "P100", "P80", "P50", "P30" o "P10" per ogni pressione ulteriore. A questo punto, premere "Start/+30Sec./Conferma" per confermare e ruotare


 " per impostare il tempo da 0:05 a 95:00. Premere nuovamente

"Start/+30Sec./Conferma" per avviare la cottura.

Esempio: per utilizzare il microonde all'80% della potenza per 20 minuti, impostare il forno in base alla procedura seguente.

1) Premere una volta "Micro./Grill/Combi.", lo schermo visualizza "P100".


---

2) Premere un'altra volta "Micro./Grill/Combi." o ruotare  " per scegliere la cottura a microonde all'80% della potenza.

---

3) Premere "Start/+30Sec./Conferma" per confermare; in tal modo, lo schermo visualizza "P80".

---

4) Ruotare  " per regolare il tempo di cottura fino a quando il forno visualizza "20:00".

---

5) Premere "Start/+30Sec./Conferma" per avviare la cottura.



Nota: di seguito è indicato il numero di passaggi per il tempo di regolazione dell'interruttore di codifica:

0---1	min	:	5 secondi
1---5	min	:	10 secondi
5---10	min	:	30 secondi
10---30	min	:	1 minuto
30---95	min	:	5 minuti




"Micro./Grill/Combi."	Istruzioni per il selettore	Potenza microonde	Potenza del grill
Ordine	Display		
1	P100	100%	
2	P80	80%	
3	P50	50%	
4	P30	30%	
5	P10	10%	
6	G	0%	100%
7	C-1	55%	45%
8	C-2	36%	64%

### 3. Grill o Combi. Cottura

Premere "Micro./Grill/Combi.", il LED visualizza "P100", quindi premere ripetutamente "Micro./Grill/Combi." o ruotare "  " per scegliere la potenza desiderata; in tal modo, viene visualizzato "G", "C-1" o "C-2" per ogni pressione ulteriore. A questo punto, premere "Start/+30Sec./Conferma" per confermare e ruotare "  " per impostare il tempo da 0:05 a 95:00. Premere nuovamente "Start/+30Sec./Conferma" per avviare la cottura. Esempio: per utilizzare il microonde al 55% della potenza e il grill al 45% della potenza (C-1) per una cottura di 10 minuti, impostare il forno in base alla procedura seguente.

- 1) Premere una volta "Micro./Grill/Combi.", lo schermo visualizza "P100".


---

- 2) Premere "Micro./Grill/Combi." per i tempi o ruotare "  " per scegliere Combi. Modalità 1.

---

- 3) Premere "Start/+30Sec./Conferma" per confermare; in tal modo, lo schermo visualizza "C-1".

---


- 4) Ruotare "  " per regolare il tempo di cottura fino a quando il forno visualizza "10:00".

---

- 5) Premere "Start/+30Sec./Conferma" per avviare la cottura.


Nota: quando è trascorso metà del tempo impostato per il grill, il forno emette due segnali acustici: si tratta di un evento normale. Per ottimizzare la cottura degli alimenti con il grill, capovolgere gli alimenti, chiudere lo sportello e premere "Start/+30Sec./Conferma" per continuare la cottura. Se non viene effettuata alcuna operazione, il forno continua a funzionare.

#### 4. Avvio rapido

- 1) In stato di attesa, premere "**Start/+30Sec./Conferma**" per avviare la cottura al 100% della potenza per 30 secondi; ad ogni pressione, il tempo di cottura aumenta di 30 secondi, fino a 95 minuti.
- 2) Durante la cottura a microonde, grill o combinata oppure in stato di scongelamento, ogni pressione di "**Start/+30Sec./Conferma**" aumenta di 30 secondi il tempo di cottura.
- 3) In stato di attesa, ruotare "" a sinistra per impostare il tempo di cottura al 100% della potenza delle microonde. Dopo aver scelto il tempo di cottura, premere "**Start/+30Sec./Conferma**" per avviare la cottura.

#### 5. Scongelamento in base al peso


- 1) Premere una sola volta "**Scongelamento per peso/tempo**"; in tal modo, il forno visualizza "dEF1".
- 

- 2) Ruotare "" per selezionare il peso degli alimenti da 100 g a 2 kg.
- 

- 3) Premere "**Start/+30Sec./Conferma**" per avviare lo scongelamento.


#### 6. Scongelamento in base al tempo

- 1) Premere due volte "**Scongelamento per peso/tempo**"; in tal modo, il forno visualizza "dEF2".
- 

- 2) Ruotare "" per selezionare il tempo di scongelamento. Il tempo massimo è 95 minuti.
- 

- 3) Premere "**Start/+30Sec./Conferma**" per avviare lo scongelamento. La potenza di scongelamento è P30 e non cambia.


#### 7. Timer per cottura

- 1) Premere due volte "**Orologio/Timer per cottura**"; in tal modo il LED visualizza 00:00.
- 2) Ruotare "" per regolare il timer (il tempo massimo di cottura è 95 minuti).
- 3) Premere "**Start/+30Sec./Conferma**" per confermare l'impostazione.
- 4) Una volta regolato il tempo di cottura, l'indicatore del timer si spegne. Vengono emessi 5 segnali acustici.

Se l'orologio è stato impostato (sistema 24 ore), il LED visualizza l'ora corrente.

Nota: il tempo di cottura è diverso dal sistema 24 ore, in quanto è un timer.


## 8. Menu Auto

1) Ruotare "  " a destra per scegliere il menu; in tal modo, il display visualizza da "A-1" a "A-8".

---

2) Premere "Start/+30Sec./Conferma" per confermare.


---

3) Ruotare "  " per scegliere il peso predefinito in base al grafico del menu.

---

4) Premere "Start/+30Sec./Conferma" per avviare la cottura.


Esempio: utilizzare il menu "Auto" per cuocere un pesce di 350 g.

1) Ruotare "  " in senso orario fino a visualizzare "A-6".

---

2) Premere "Start/+30Sec./Conferma" per confermare.

---

3) Ruotare "  " per selezionare il peso del pesce fino a visualizzare "350".

---

4) Premere "Start/+30Sec./Conferma" per avviare la cottura.




Grafico del menu:

Menu	Peso	Display
A-1 Pizza	200 a	200
	400 a	400
A-2 Carne	250 a	250
	350 a	350
	450 g	450
A-3 Verdure	200 a	200
	300 g	300
	400 a	400
A-4 Pasta	50 g (con 450 ml di acqua fredda)	50
	100 g (con 800 ml di acqua fredda)	100
A-5 Patate	200 a	200
	400 a	400
	600 a	600
A-6 Pesce	250 a	250
	350 g	350
	450 g	450
A-7 Bevande	1 tazza (120 ml)	1
	2 tazze (240 ml)	2
	3 tazze (360 ml)	3
A-8 Popcorn	50 g	50
	100 g	100

## 9. Cottura multisezione

È possibile impostare fino a 2 sezioni per la cottura. Nella cottura multisezione, se una sezione viene utilizzata per scongelare, lo scongelamento avviene automaticamente nella prima sezione.

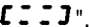
Esempio: per scongelare alimenti per 5 minuti e cuocerli a microonde all'80% della potenza per 7 minuti, effettuare le seguenti operazioni:

- 1) Premere due volte "Scongelamento per peso/tempo"; in tal modo, il forno visualizza "dEF2".
- 2) Ruotare "  " per selezionare il tempo di scongelamento fino a visualizzare "5:00".
- 3) Premere una volta "Micro./Grill/Combi.", lo schermo visualizza "P100".
- 4) Premere un'altra volta "Micro./Grill/Combi." o ruotare "  " per scegliere la cottura a microonde all'80% della potenza.
- 5) Premere "Start/+30Sec./Conferma" per confermare; in tal modo, lo schermo visualizza "P 80".
- 6) Ruotare "  " per regolare il tempo di cottura fino a quando il forno visualizza "7:00".
- 7) Premere "Start/+30Sec./Conferma" per avviare la cottura; a questo punto, viene emesso un solo segnale acustico per la prima sezione e si avvia il conto alla rovescia dello sbrinamento, quindi viene emesso un altro segnale acustico quando si passa alla seconda cottura; alla fine della cottura, vengono emessi 5 segnali acustici.

## 10. Funzione di interrogazione

- 1) Negli stati di cottura a microonde, grill e cottura combinata, premere "Micro./Grill/Combi.", in tal modo la potenza attuale viene visualizzata per 3 secondi. Dopo 3 secondi, il forno torna allo stato precedente.
- 2) In stato di cottura, premere "Orologio/Timer per cottura" per controllare la durata della cottura, che verrà visualizzata per 3 secondi.

## 11. Funzione di blocco bambini

Blocco: in stato di attesa, premere "Stop/Cancel" per 3 secondi; verrà emesso un lungo segnale acustico indicante l'accesso allo stato di blocco bambini e verrà visualizzata l'ora corrente, se è stata impostata, altrimenti il LED visualizzerà "  ".

Annullamento del blocco: in stato bloccato, premere "Stop/Cancel" per 3 secondi; verrà emesso lungo segnale acustico indicante che il blocco è stato annullato.

## Soluzione dei problemi

<b>Normale</b>	
Il forno a microonde interferisce con la ricezione del segnale televisivo	Quando il forno a microonde è in funzione, potrebbe interferire sulla ricezione del segnale radio e televisivo. Il fenomeno è simile alle interferenze di piccoli elettrodomestici (ad es. frullatore, aspirapolvere, ventilatori elettrici). È normale.
La spia del forno è debole	Se la cottura a microonde avviene a bassa potenza, la spia del forno potrebbe diventare debole. È normale.
Accumulo di vapore sullo sportello, fuoriuscita di aria calda dagli sfiati	Durante la cottura, potrebbe fuoriuscire vapore dagli alimenti. La maggior parte viene estratto dagli sfiati. Parte, però, potrebbe accumularsi su una zona fresca, ad esempio lo sportello del forno. È normale.
Il forno si è avviato accidentalmente senza alimenti.	Non azionare l'elettrodomestico senza alimenti all'interno. È molto pericoloso.

<b>Problema</b>	<b>Causa possibile</b>	<b>Soluzione</b>
Il forno non si avvia.	(1) Il cavo di alimentazione non è collegato saldamente.	Staccare il cavo. Ricollegare il cavo dopo 10 secondi.
	(2) Il fusibile si brucia o interviene il salvavita.	Sostituire il fusibile o resettare il salvavita (riparato da un professionista della società elettrica).
	(3) Problema con la presa elettrica.	Provare la presa elettrica con altri elettrodomestici.
Il forno non si riscalda.	(4) Lo sportello non è chiuso correttamente.	Chiudere bene lo sportello.



In conformità alla direttiva RAEE (Rifiuti di Apparecchiature Elettriche ed Elettroniche), le apparecchiature elettriche ed elettroniche di scarto devono essere smaltite e gestite separatamente. Se in futuro occorre smaltire questo prodotto, **NON** smaltirlo assieme ai rifiuti domestici.

Conferire questo prodotto nei punti disponibili alla raccolta delle apparecchiature elettriche ed elettroniche di scarto.

