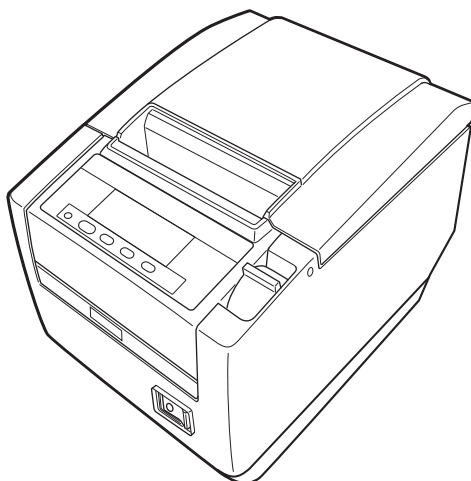


**CITIZEN**

# **LINE THERMAL PRINTER**

## **MODEL CT-S801 Type II**

### **User's Manual**



**CITIZEN SYSTEMS JAPAN CO., LTD.**

# WEEE MARK

**En** If you want to dispose of this product, do not mix it with general household waste. There is a separate collection systems for used electronics products in accordance with legislation under the WEEE Directive (Directive 2002/96/EC) and is effective only within European Union.

**Ge** Wenn Sie dieses Produkt entsorgen wollen, dann tun Sie dies bitte nicht zusammen mit dem Haushaltsmüll. Es gibt im Rahmen der WEEE-Direktive innerhalb der Europäischen Union (Direktive 2002/96/EC) gesetzliche Bestimmungen für separate Sammelsysteme für gebrauchte elektronische Geräte und Produkte.

**Fr** Si vous souhaitez vous débarrasser de cet appareil, ne le mettez pas à la poubelle avec vos ordures ménagères. Il existe un système de récupération distinct pour les vieux appareils électroniques conformément à la législation WEEE sur le recyclage des déchets des équipements électriques et électroniques (Directive 2002/96/EC) qui est uniquement valable dans les pays de l'Union européenne.

Les appareils et les machines électriques et électroniques contiennent souvent des matières dangereuses pour l'homme et l'environnement si vous les utilisez et vous vous en débarrassez de façon inappropriée.

**Sp** Si desea deshacerse de este producto, no lo mezcle con residuos domésticos de carácter general. Existe un sistema de recogida selectiva de aparatos electrónicos usados, según establece la legislación prevista por la Directiva 2002/96/CE sobre residuos de aparatos eléctricos y electrónicos (RAEE), vigente únicamente en la Unión Europea.

**It** Se desiderate gettare via questo prodotto, non mescolatelo ai rifiuti generici di casa. Esiste un sistema di raccolta separato per i prodotti elettronici usati in conformità alla legislazione RAEE (Direttiva 2002/96/CE), valida solo all'interno dell'Unione Europea.

**Du** Deponeer dit product niet bij het gewone huishoudelijk afval wanneer u het wilt verwijderen. Er bestaat ingevolge de WEEE-richtlijn (Richtlijn 2002/96/EG) een speciaal wettelijk voorgeschreven verzamelstelsel voor gebruikte elektronische producten, welk alleen geldt binnen de Europese Unie.

**Da** Hvis du vil skille dig af med dette produkt, må du ikke smide det ud sammen med dit almindelige husholdningsaffald. Der findes et separat indsamlingsssystem for udtjente elektroniske produkter i overensstemmelse med lovgivningen under WEEE-direktivet (direktiv 2002/96/EC), som kun er gældende i den Europæiske Union.

**Por** Se quiser deitar fora este produto, não o misture com o lixo comum. De acordo com a legislação que decorre da Directiva REEE – Resíduos de Equipamentos Eléctricos e Electrónicos (2002/96/CE), existe um sistema de recolha separado para os equipamentos electrónicos fora de uso, em vigor apenas na União Europeia.

**Pol** Jeżeli zamierzasz pozbyć się tego produktu, nie wyrzucaj go razem ze zwykłymi domowymi odpadkami. Według dyrektywy WEEE (Dyrektywa 2002/96/EC) obowiązującej w Unii Europejskiej dla używanych produktów elektronicznych należy stosować oddzielne sposoby utylizacji.



# Declaration of Conformity

This printer conforms to the following Standards:

The Low Voltage Directive 2006/95/EC, the EMC Directive 2004/108/EC, the RoHS Directive 2011/65/EU, and the WEEE Directive 2002/96/EC.

LVD : EN60950-1

EMC: EN55022                      Class A

EN61000-3-2

EN61000-3-3

EN55024

This declaration applies only to the 230-V model.

**IMPORTANT:** This equipment generates, uses, and can radiate radio frequency energy and if not installed and used in accordance with the instruction manual, may cause interference to radio communications. It has been tested and found to comply with the limits for a Class A computing device pursuant to Subpart J of Part 15 of FCC Rules, which are designed to provide reasonable protection against such interference when operated in a commercial environment. Operation of this equipment in a residential area is likely to cause interference, in which case the user at his own expense will be required to take whatever measures may be necessary to correct the interference.

**CAUTION: Use shielded cable for this equipment.**

## Sicherheitshinweis

Die Steckdose zum Anschluß dieses Druckers muß nahe dem Gerät angebracht und leicht zugänglich sein.

## For Uses in Canada

This Class A Information Technology Equipment (ITE) complies with Canadian CAN ICES-3(A)/NMB-3(A).

This Information Technology Equipment (ITE) does not exceed the Class A limits for radio noise emissions from digital apparatus set out in the Radio Interference Regulations of the Canadian Department of Communications.

## Pour L'utilisateurs Canadiens

Cet Equipements informatiques (EI) de la classe A est conforme a la norme CAN ICES-3(A)/NMB-3(A) du Canada.

Le present Equipements informatiques (EI) n'emets pas de bruite radio electriques depassant les limites applicables aux appareils numeriques de la classe A prescrites dans le Reglement sur le brouillage radioelectrique edicte par le ministere des Communications du Canada.

## GENERAL PRECAUTIONS

- Before using this product, be sure to read through this manual. After having read this manual, keep it in a safe, readily accessible place for future reference.
- The information contained herein is subject to change without prior notice.
- Reproduction or transfer of part or all of this document in any means is prohibited without permission from Citizen Systems.
- Note that Citizen Systems is not responsible for any operation results regardless of omissions, errors, or misprints in this manual.
- Note that Citizen Systems is not responsible for any trouble caused as a result of using options or consumables that are not specified in this manual.
- Except explained elsewhere in this manual, do not attempt to service, disassemble, or repair this product.
- Note that Citizen Systems is not responsible for any damage attributable to incorrect operation/handling or improper operating environments that are not specified in this manual.
- Data is basically for temporary use and not stored for an extended period of time or permanently. Please note that Citizen Systems is not responsible for damage or lost profit resulting from the loss of data caused by accidents, repairs, tests or other occurrences.
- If you find omissions, errors, or have questions, please contact your Citizen Systems dealer.
- If you find any pages missing or out of order, contact your Citizen Systems dealer for a replacement.

"Made for iPod," "Made for iPhone," and "Made for iPad" mean that an electronic accessory has been designed to connect specifically to iPod, iPhone, or iPad, respectively, and has been certified by the developer to meet Apple performance standards. Apple is not responsible for the operation of this device or its compliance with safety and regulatory standards.

Please note that the use of this accessory with iPod, iPhone or iPad may affect wireless performance.

- iPad, iPhone and iPod touch are trademarks of Apple Inc., registered in the U.S. and other countries. iPad Air and iPad mini are trademarks of Apple Inc.
- EPSON and ESC/POS are registered trademarks of Seiko Epson Corporation.
- QR Code is a registered trademark of DENSO WAVE INCORPORATED.
- Ethernet is a registered trademark of Fuji Xerox Corporation.
- Bluetooth® is a registered trademark of Bluetooth-SIG Inc.
- CITIZEN is a registered trademark of Citizen Watch Co., Ltd. Japan
- All other trademarks are the property of their respective owners.
- Citizen Systems use these trademarks in accordance with the license of relevant owners.

# SAFETY PRECAUTIONS ...WHICH SHOULD BE STRICTLY OBSERVED

Before using this product for the first time, carefully read these SAFETY PRECAUTIONS. Improper handling may result in accidents (fire, electric shock or injury).

In order to prevent injury to operators, third parties, or damage to property, special warning symbols are used in the User's Manual to indicate important items to be strictly observed.

- After having read this Manual, keep it in a safe, readily accessible place for future reference.
- Some of the descriptions contained in this manual may not be relevant to some printer models.

The following describes the degree of hazard and damage that could occur if the printer is improperly operated by ignoring the instructions indicated by the warning symbols.



## WARNING

Neglecting precautions indicated by this symbol may result in fatal or serious injury.



## CAUTION

Neglecting precautions indicated by this symbol may result in injury or damage to property.



This symbol is used to alert your attention to important items.



This symbol is used to alert you to the danger of electric shock or electrostatic damage.



This symbol denotes a request to unplug the printer from the wall outlet.



This symbol is used to indicate that the power supply must be grounded.



This symbol is used to indicate useful information, such as procedures, instructions or the like.



This symbol is used to indicate prohibited actions.

# PRECAUTIONS ON PRINTER INSTALLATION

## WARNING

■ Do not use or store this product in a place where it will be exposed to:

- \* Flames or moist air.
- \* Direct sunlight.
- \* Hot airflow or radiation from a heating device.
- \* Salty air or corrosive gases.
- \* Ill-ventilated atmosphere.
- \* Chemical reactions in a laboratory.
- \* Airborne oil, steel particles, or dust.
- \* Static electricity or strong magnetic fields.

● **Neglecting these warnings may result in printer failure, overheating, emission of smoke, fire, or electric shock.**



■ Do not drop any foreign object nor spill liquid into the printer. Do not place any object on the printer either.

■ Do not drop any metallic object such as paper clips, pins or screws into the printer.

■ Do not place a flower vase, pot, or anything containing water on the printer.

■ Do not spill coffee, soft drinks, or any other liquid into the printer.

■ Do not spray insecticide or any other chemical liquid over the printer.

● **Dropping a metallic foreign object into the printer, may cause printer failure, fire, or electric shock. Should it occur, immediately turn the printer off, unplug it from the supply outlet, and call your local Citizen Systems dealer.**



Do not handle the printer in the following ways:

■ Do not subject the printer to strong impacts or hard jolts (e.g., being stepped on, dropped or struck).

■ Never attempt to disassemble or modify the printer.

● **Neglecting to handle properly may result in printer failure, overheating, emission of smoke, fire, or electric shock.**



■ Install, use, or store the printer out of the reach of children.

● **Electric appliances could cause an unexpected injury or accident if they are handled or used improperly.**

● **Keep the power cord and signal cables out of the reach of children. Also children should not be allowed to gain access to any internal part of the printer.**

● **The plastic bag the printer came in must be disposed of properly or kept away from children. Wearing it over the head may lead to suffocation.**



## CAUTION

Do not use the printer under the following conditions.

- Avoid locations subject to vibration or instability.
- Avoid locations where the printer is not level.
- **The printer may fall and cause an injury.**
- **The quality of printing may deteriorate.**
- Do not obstruct the printer's air vents.
- Do not place anything on the printer.
- Do not cover or wrap the printer in cloth or blankets.
- **Doing so could cause heat to build up and deform the case or start a fire.**
- Avoid using the printer near a radio or TV set or from supplying it from the same electric outlet as these appliances.
- Avoid using the printer interconnected with a cable or cord that has no protection against noise. (For interconnections, use shielded or a twisted pair of cables and ferrite cores, or other anti-noise devices.)
- Avoid using the printer with a device that is a strong source of noise.
- **The printer may have an adverse effect on nearby radio or TV transmissions. There may also be cases when nearby electrical appliances adversely influence the printer, causing data errors or malfunction.**
- Installed in any orientation other than those specified.
- **Malfunction, failure, or electric shock may result.**



- Connect the printer to a ground.
- **Electric leakage may cause an electric shock.**
- Do not connect the printer's ground to any of the following:
  - \* Gas piping
    - **A gas explosion could result.**
  - \* Telephone line ground
  - \* Lightning rod
    - **If lightning strikes a large surge of current may cause fire or shock.**
  - \* Water pipes
    - **Plastic water pipes should not be used for grounding. (Those approved by a Waterworks Department may be used.)**
- Before connecting or disconnecting the grounding lead to or from the printer, always unplug it from the electric outlet.



# PRECAUTIONS IN HANDLING THE PRINTER

## WARNING

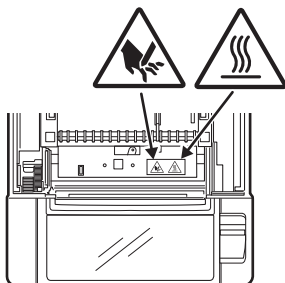
Please observe the following precautions for power source and power cord:

- Do not plug or unplug the power cord with a wet hand.
- Use the printer only at the specified supply voltage and frequency.
- Use only the specified AC adapter with the printer.
- Check to make sure that the supply outlet from which the printer is powered has a sufficient capacity.
- Do not supply the printer from a power strip or current tap shared with other appliances.
- Do not plug the power cord into an electric outlet with dust or debris left on the plug.
- Do not use a deformed or damaged power cord.
- Do not move the printer while its power is on.
- **Neglecting to handle it properly may result in printer failure, emission of smoke, fire, or electric shock.**
- **An overload may cause the power cord to overheat, catch fire, or the circuit breaker to trip.**
- Do not allow anything to rest on the power cord. Do not place the printer where the power cord may be stepped on.
- Do not use or carry the printer with its power cord bent, twisted, or pulled.
- Do not attempt to modify the power cord unnecessarily.
- Do not place the power cord near any heating device.
- **Neglecting these cautions may cause wires or insulation to break, which could result in electric leakage, electric shock, or printer failure. If the power cord sustains damage, contact your Citizen Systems dealer.**
- Do not leave things around the electric outlet.
- Supply power to the printer from a convenient electric outlet, readily accessible in an emergency.
- **Pull the plug to immediately shut it down in an emergency.**
- Insert the power plug fully into the outlet.
- If the printer will not be used for a long time, disconnect it from its electric outlet.
- Hold the plug and connector when plugging or unplugging the power cord or signal cable after turning off the printer and the appliance connected to it.



## CAUTION

Caution label is attached in the position shown in the following figure. Carefully read the handling precautions before using the printer.



**THIS LABEL INDICATES THE RISK OF BURNS DUE TO THE HIGH TEMPERATURE OF THE PRINT HEAD AND A RISK OF BEING CUT BY THE MANUAL AND AUTO CUTTERS WHILE THE PAPER COVER IS OPEN.**

- Do not transport this printer with the paper roll inside.
- **Printer failure or damage may occur.**

To prevent possible malfunction or failure observe the following.

- Do not open the paper cover during printing.
- Avoid operating the printer without paper properly loaded.
- Avoid the use of paper not complying with specifications.
- **May result in poor print quality.**
- Avoid using torn pieces of paper or paper spliced with plastic adhesive tape.
- Avoid forcibly pulling already loaded paper by hand.
- Avoid using a sharp pointed device to operate panel buttons.



- Be sure to firmly insert the cable plugs into their mating sockets.
- **A cross connection may damage the printer's internal electronics or the host system's hardware.**
- Only use the printer with devices that have designated solenoid specifications for the cash drawer interface connector.
- **Neglecting this caution may result in malfunction or failure.**



## CAUTION

To prevent injury and printer failures from worsening, observe the following:

- While the paper cover is open, be careful to not touch the manual cutter that is in the paper eject slot.
- Do not touch the printing surface of the thermal head.
- Do not touch any of the moving parts (e.g., paper cutter, gears, active electric parts) while the printer is working.
- In case of trouble do not attempt to repair the printer. Ask Citizen Systems service for repair.
- Be careful that the covers do not pinch your hands or fingers.
- Be careful of the sharp edges on the printer. Do not allow them to injure you or damage property.
- **May result in electric shock, burn, or injury.**



**If the printer emits smoke, an odd smell, or unusual noise while printing, immediately abort the current print session and unplug the printer from the electric outlet.**

## DAILY MAINTENANCE

Observe the following precautions for daily maintenance.

- When cleaning the printer, always turn it off and unplug it from the electric outlet.
- Use a soft, dry cloth for cleaning the surface of the printer case.  
For severe stains, use a soft cloth slightly dampened with water.  
Never use organic cleaning solvent such as alcohol, paint thinner, trichloroethylene, benzene, or ketone. Never use a chemically processed cleaning cloth.
- To remove paper dust, use a soft brush.



## CAUTION

- **The thermal head is at a dangerously high temperature immediately after printing. Allow it to cool off before starting maintenance work.**

Visit the following site to get documentation, drivers, utilities, and other information.

<http://www.citizen-systems.co.jp/english/support/index.html>

# THE TABLE OF CONTENTS

<b>1. GENERAL OUTLINE</b> .....	<b>9</b>
1.1 Features.....	9
1.2 Unpacking.....	10
1.3 Model Classification .....	10
1.4 Basic Specifications .....	11
<b>2. EXPLANATION OF PRINTER PARTS</b> .....	<b>13</b>
2.1 Printer Appearance .....	13
2.2 Inside the Paper Cover .....	16
2.3 Other Built-in Functions.....	18
<b>3. SETUP</b> .....	<b>20</b>
3.1 Connecting the AC Power Cord .....	20
3.2 Connecting Interface Cables .....	21
3.3 Bluetooth Interface Board .....	23
3.4 Ethernet (LAN) Interface Board .....	25
3.5 Wireless LAN Interface Board .....	28
3.6 Connecting the Cash Drawer .....	32
3.7 Precautions for Installing the Printer .....	34
3.8 Partition for Paper Roll.....	35
3.9 Setting the DIP Switch on the Serial Interface Board.....	36
3.10 Adjusting the Paper Near-end Sensor.....	37
3.11 Loading Paper .....	38
3.12 Calibrating the Paper Sensor .....	39
3.13 Selecting a Paper Type .....	42
3.14 Attaching the Power Switch Cover.....	43
3.15 Attaching the Interface Cover.....	43
3.16 Removing the Interface Cover.....	44
3.17 Installing a Driver .....	44
3.18 Precautions for Creating Applications and Practical Operations .....	45
<b>4. MAINTENANCE AND TROUBLESHOOTING</b> .....	<b>46</b>
4.1 Periodic Cleaning .....	46
4.2 Clearing a Cutter Lock (1) .....	47
4.3 Clearing a Cutter Lock (2) .....	48
4.4 Function Test Mode .....	49
4.5 Key Lock Function .....	51
4.6 Hexadecimal Dump Printing .....	52
4.7 Error Messages .....	53
4.8 Paper Jams .....	55
4.9 Serial Interface Operation Precautions .....	55
<b>5. OTHER</b> .....	<b>56</b>
5.1 External Views and Dimensions .....	56
5.2 Printing Paper .....	57
5.3 Manual Setting of Memory Switches.....	60

# 1. GENERAL OUTLINE

The CT-S801II line thermal printer series is designed for use with a broad array of terminal equipment including data, POS, and kitchen terminals.

These printers have extensive features so they can be used in a wide range of applications.

## 1.1 Features

- Prints at speeds up to 300 mm/sec
- Design so compact it can be installed anywhere (maximum 3-inch (83-mm) paper roll size)
- Choose from two models with either 3-inch (83/80 mm) or 2-inch (60/58 mm) wide paper rolls
- Built-in power supply or AC adapter types available
- Printer status and errors indicated by LCD, LED, and a buzzer
- LCD and four buttons make it easy to change settings
- Equipped with a fast and quiet cutter
- Easy to clear cutter jams
- USB power supply OFF
- Interchangeable interface
- Built-in cash drawer kick-out interface
- Memory switches make customization possible
- Store user-defined characters and logos on user memory
- Barcode and 2D barcode printing supported
- 16 level greyscale and clear printing
- Paper saving functions
- Japanese Kanji, Chinese(simplified and traditional) and Hangul supported
- Driver and utility software included
- Apple MFi certified Bluetooth communication support (Bluetooth model)
- Some models support label paper and/or black mark paper



# 1.4 Basic Specifications

Item	Specifications					
Model	CT-S801II					
Print method	Line thermal dot print method					
Print width *1	80 mm/640 dots, 72 mm/576 dots, 64 mm/512 dots, 54.5 mm/436 dots, 54 mm/432 dots, 52.5 mm/420 dots, 48 mm/384 dots, 45 mm/360 dots, 48.75 mm/390 dots, 68.25 mm/546 dots					
Dot density	8 × 8 dots/mm (203 dpi)					
Print speed	300 mm/s (fastest, print density 100%, 2400 dot-lines/s) 150 mm/sec (1200 dot lines/sec) (for label specifications)					
Number of print columns *2	—	Maximum number of characters (columns)				Dot configuration (dots)
	Paper width	83 mm	80 mm	60 mm	58 mm	
	Font					
	Font A	53	48	36	35	
	Font B	71	64	48	46	
Font C	80	72	54	52	8 × 16	
Character size*3	Font A: 1.50 × 3.00 mm Font B: 1.13 × 3.00 mm Font C: 1.00 × 2.00 mm					
Character type	Alphanumeric, international, PC437/850/852/857/858/860/863/864/865/866, WPC1252, katakana, ThaiCode 11/18 (1Pass/3Pass), TCVN-3					
Liquid crystal display (LCD)	128 × 32 dots STN liquid crystal, white/red LED backlight					
User memory	384 KB (capable of storing user-defined characters and logos)					
Bar code types	UPC-A/E, JAN (EAN) 13/8 columns, ITF, CODE39, CODE128, CODABAR (NW-7), CODE93, PDF417, QR Code, GS1-DataBar					
Line spacing	4.23 mm (1/6 inch) (changeable using commands)					
Paper roll	Paper roll: 83 <sup>+0</sup> <sub>-1</sub> mm/80 <sup>+0</sup> <sub>-1</sub> mm/60 <sup>+0</sup> <sub>-1</sub> mm/58 <sup>+0</sup> <sub>-1</sub> mm × maximum φ83 mm Paper thickness: 65 to 75 μm (core tube diameter: inner 12 mm/outer 18 mm) 75 to 85 μm (core tube diameter: inner 25.4 mm/outer 32 mm) 85 to 150 μm (core tube diameter: inner 25.4 mm/outer 32 mm: Supported by label-printing models only)					
Interface	Serial (RS-232C compliant), parallel (IEEE 1284 compliant), USB, USB with hub, Ethernet, Powered USB, Bluetooth(3.0), wireless LAN (802.11b/g or 802.11a/b/g/n)					
Cash drawer kick-out	Supports 2 cash drawers					
Buffer size	4 k bytes/45 bytes					
Supply voltage	DC 24 V ±5%					
Power consumption	Approximately 45 W (normal printing), 3 W (standby)					
AC adapter *4 (36AD2/3, 37AD3/5)	Rated input: AC 100 to 240 V, 50/60 Hz, 150 VA Rated output: DC 24 V, 2.1 A					

Item	Specifications
Weight	CT-S801IIS: Approx. 2 kg, CT-S801IIA: Approx. 1.6 kg
Outside dimensions	CT-S801IIS: 145 (W) × 192 (D) × 148 (H) mm CT-S801IIA: 145 (W) × 192 (D) × 120 (H) mm
Operating temperature and humidity	5 to 45°C, 10 to 90% RH (no condensation)
Storage temperature and humidity	-20 to 60°C, 10 to 90% RH (no condensation)
Reliability	Print head life: 150 km, 200 million pulses (at normal temperature/humidity, using recommended paper and paper thickness) Auto cutter life: 2 million cuts (at normal temperature/humidity, using recommended paper and paper thickness)
Safety standard *5	UL, C-UL, FCC Class A, TÜV-Bauart, CE Marking

Notes:

\*1: When paper width is 83, 80, 60, or 58 mm.

\*2: The number of printable columns is selected using a memory switch.

The numbers of columns noted in this table refer to typical models. The number of columns varies depending on specifications.

\*3: Characters appear small because the dimensions include a blank area surrounding each character.

\*4: The 36AD2/37AD5 is the AC adapter packaged as an accessory with the CT-S801IIA.

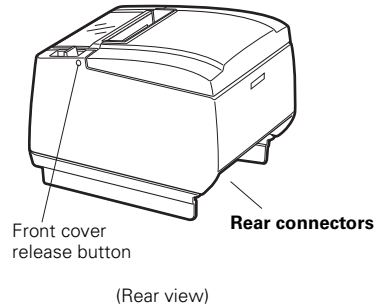
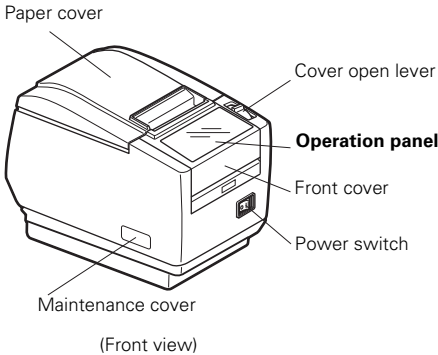
The 36AD3/37AD3 is the AC adapter built in to the CT-S801IIS.

\*5: Compliant if the Citizen Systems AC adapter (36AD2/3, 37AD3/5) is used.

## 2. EXPLANATION OF PRINTER PARTS

### 2.1 Printer Appearance

#### Names of parts



- Paper cover  
Open to load paper.  
(A label guide is attached to the paper cover of label-printing models.)
- Cover open lever  
Use this lever to open the paper cover.
- Front cover  
Open and close this cover to clear a cutter lock.



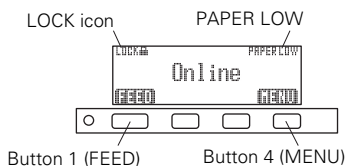
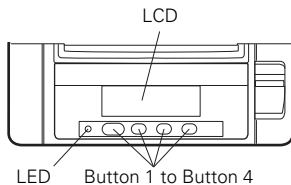
Refer to 4.3 Clearing a Cutter Lock (2)

- Front cover release button  
Press this button to open the front cover.
- Power switch  
Press this switch to turn the power on or off.
- Maintenance cover  
Not applicable for this product.  
Not used. Do not remove.

## CAUTION

Do not open the maintenance cover.

### Operation panel



Examples are shown in the diagram of the LCD above on the right.

- LCD  
Indicates the printer's status, button names, types of errors, and messages.
- LED  
Lights green when the power is on, turns off when the power is off.  
Flashes green when receiving data.  
Lights red in special modes and in case of errors.  
Lights orange when paper is low (paper near-end) or the print head is hot.
- Button 1 to Button 4  
Functions assigned to these buttons vary depending on the active mode. The buttons are called button 1, button 2, button 3, and button 4 in order from left to right.
- FEED button  
Press this button to feed paper.  
To release a cutter lock, remove the cause of the lock, close the paper cover, and then press the FEED button.



Refer to 4.7 Error Messages

- MENU button  
Press and hold this button (for at least two seconds) to access the memory switch setting mode.



Refer to 5.3 Manual Setting of Memory Switches

- PAPER LOW  
Appears when the paper roll is near its end.

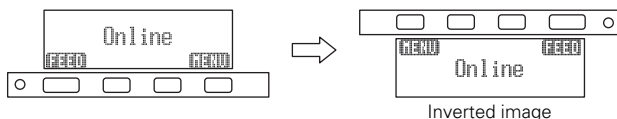
- LOCK icon  
This icon indicates that the MENU button is inoperative.



Refer to 4.5 Key Lock Function

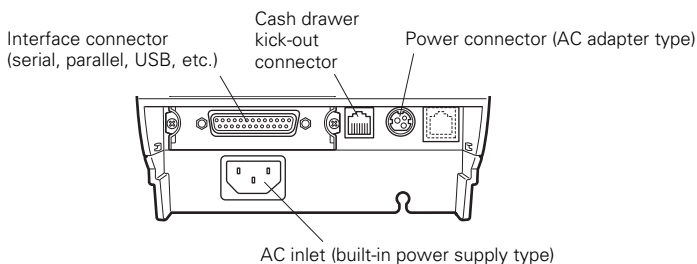
### **LCD in the vertical or wall mounted position**

You can change the memory switch settings to invert the LCD if the printer is used in a vertical position or installed on a wall.



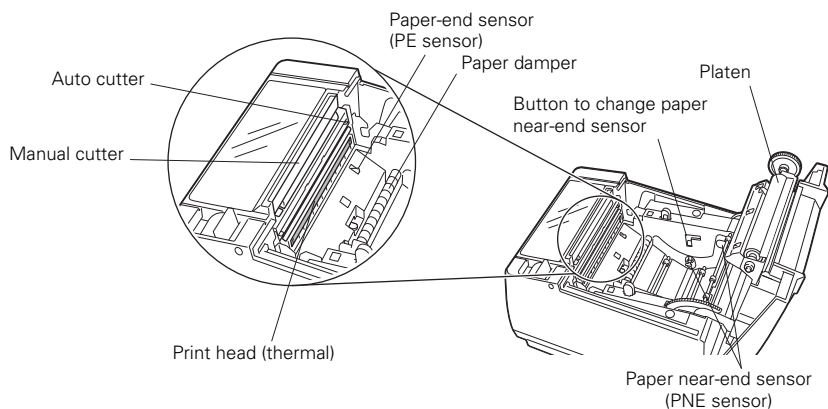
Refer to 5.3 Manual Setting of Memory Switches

### **Rear connectors**



- Interface connector (serial, parallel, USB, etc.)  
Connects to the interface cable.  
The serial interface board is equipped with a DIP switch.
- Cash drawer kick-out connector  
Connects to the cable from the cash drawer.
- Power connector (AC adapter type)  
Connects to the AC adapter cable.
- AC inlet (built-in power supply type)  
Connects to the AC power cord.

## 2.2 Inside the Paper Cover



- **Platen**  
Feeds the paper.  
Do not remove the platen except to do maintenance.
- **Paper near-end sensor (PNE sensor)**  
Detects when the paper is near the end of the roll. Adjust the position of the sensor to determine when it detects the end of the paper is near.
- **Button to change paper near-end sensor**  
Change the position of the paper near-end sensor to match the paper being used.



Refer to 3.10 Adjusting the Paper Near-end Sensor

- **Manual cutter**  
For cutting the paper manually when printing is finished.
- **Auto cutter**  
Automatically cuts the paper when printing is finished.

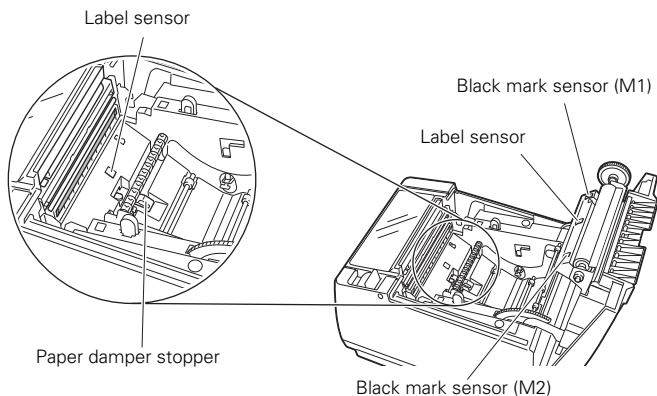


Refer to 5.3 Manual Setting of Memory Switches

- **Print head (thermal)**  
Prints characters and graphic data on paper (paper rolls).
- **Paper end sensor (PE sensor)**  
Detects when there is no paper. Printing stops when this sensor detects there is no paper.

- Paper damper  
Assists paper feed.

The components in the figure below are used in label-printing models and black mark models.



- Paper damper stopper  
Used to lock the paper damper.
- Black mark sensor  
Detects black marks on black mark paper.  
The sensor position is either M1 or M2, depending on the model classification.



Refer to 1.3 Model Classification

- Label sensor  
Measures the length of label paper.

## 2.3 Other Built-in Functions

- Buzzer  
Buzzes when errors occur or when operations or command operations are performed.



Refer to 4.7 Error Messages

- User memory  
You can save user-defined logo and character data in this memory. Data remains stored in this memory even if the printer is turned off. For information on how to save data, refer to the Command Reference.
- Memory switch  
Setting of various kinds of functions can be stored in memory. Settings remain stored in the memory even if the printer is turned off.
- USB power supply OFF (When memory switch MSW6-3 is set to ON)  
When the printer is connected to a PC by USB, turning off PC power or terminating the USB connection causes printer USB power to turn off three seconds later. This mode is canceled when the PC is turned back on or when a USB connection is established.



### CAUTION

- The POWER LED is unlit when USB power supply is OFF, and the power OFF state cannot be identified.
  - Pressing POWER while USB power is off does not turn on power immediately. After a while, USB power supply OFF is canceled and pressing POWER turns on power normally.
- Paper saving functions  
Memory switches MSW8-3 through MSW8-5 can be used to configure the settings below, which save paper.
    - Top margin suppression  
The printer back feeds the paper before printing which reduces the blank space at the top edge of the paper.  
The back feed amount can be specified.
    - Line gap reduce  
Automatically compresses the linefeed amount between lines. The compression ratio can be specified.
    - Text compression vertical/horizontal  
Makes the print size smaller.  
The compression amount is specified by a combination of vertical and horizontal compression ratios.

- Auto side shift (MSW8-6)

This function dissipates heat load during frequent heat generation by a vertical ruled line or other specific head heating element.

If no data is received within 15 seconds after each cut or print, the print position is automatically slid N\* dots to the right. The original print position is returned to at the next slide timing.

\* N is the MSW8-6 setting value.



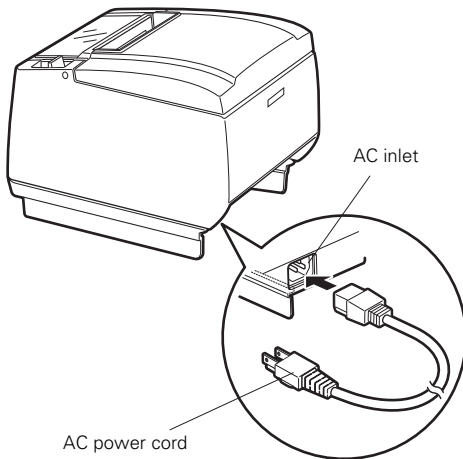
## CAUTION

- Before configuring the top margin suppression setting, first remove any partially cut paper from the printer. Failure to do so can cause the cut paper to be torn off by the next print operation, which can cause printer trouble.
- Note the following precautions when using text compression.
  - **Compressed text is more difficult to read than the original text.**
  - **Horizontally compressing text also makes the print range smaller, so the number of print lines does not change. Pay close attention to the print range when using narrow paper.**
  - **Do not use compressed text when printing a bar code. Doing so may make the bar code unreadable.**
- If the right margin is too narrow, this may result in some print characters being cut off. This function is disabled under initial settings. To enable this function, use MSW8-6 to specify an appropriate value for the maximum slide amount.

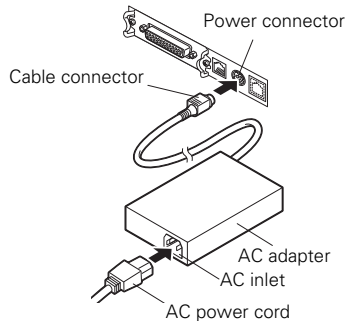
# 3. SETUP

## 3.1 Connecting the AC Power Cord

1. Turn off the power.
2.
  - For the built-in power type printer, connect the AC power cord to the AC inlet, and insert the plug into an electric outlet.
  - For the AC adapter type printer, connect the cable connector of the AC adapter to the power connector. Next, connect the AC power cord to the AC inlet, and insert the plug into an electric outlet.



Built-in power supply type



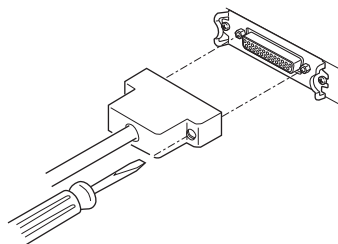
AC adapter type

### CAUTION

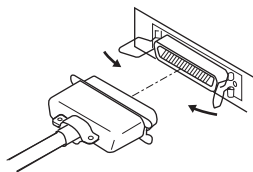
- Use only an AC adapter that complies with the specified ratings.
- Always hold the AC adapter's cable connector by the connector when removing or inserting it.
- Use an AC power source that does not also supply power to equipment that generates electromagnetic noise.
- Pulling on the AC power cord may damage it, cause a fire, electric shock, or break a wire.
- If a lightning storm is approaching, unplug the AC power cord from the electric outlet. A lightning strike may cause a fire or electric shock.
- Keep the AC power cord away from heat generating appliances. The insulation on the AC power cord may melt and cause a fire or electric shock.
- If the printer is not going to be used for a long time, unplug the AC power cord from the electric outlet.
- Place the AC power cord so that people do not trip on it.

## 3.2 Connecting Interface Cables

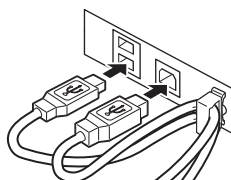
1. Turn off the power.
2. Orient the interface cable correctly and insert it into the interface connector.



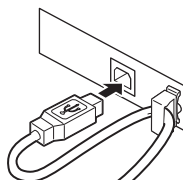
Serial interface



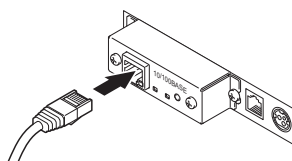
Parallel interface



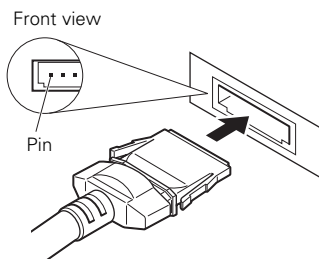
USB interface (hub type)



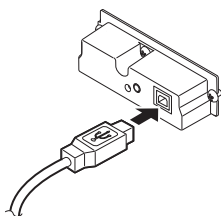
USB interface



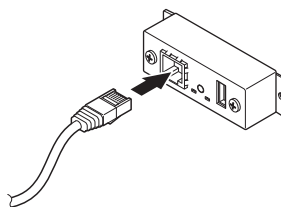
Ethernet interface



Powered USB interface



Bluetooth + USB



Wireless LAN + LAN

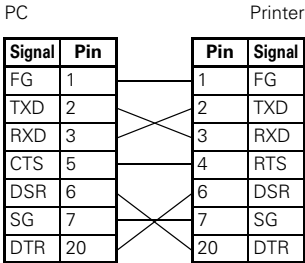


## CAUTION

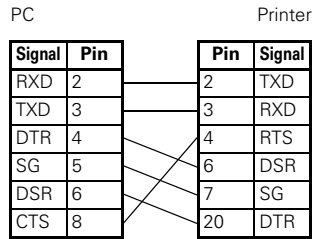
- **Always unplug the AC adapter from the printer before connecting the printer to a Powered USB interface. Failure to do so may damage the host PC. For information about installing a Powered USB interface, contact your Citizen Systems dealer.**
- Check the orientation of the Powered USB cable connector before connecting it. Insert it straight in so that the pins do not bend. Push it in until it clicks.
- When disconnecting the cable, always hold the connector.
- Be careful not to insert the USB interface cable into the cash drawer kick-out connector.
- To connect more than one printer to a single computer via a USB interface you must change the serial number of the USB interface.
- Hold the connector of the Ethernet interface cable perpendicular and straight when connecting or disconnecting it. Doing it at an angle may cause the connector to misconnect.

Use a serial interface cable with the connection layout shown below.

25-pin - 25-pin cable



9-pin - 25-pin cable

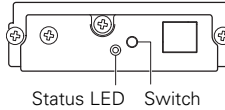


## CAUTION

Place the interface cable so people do not trip on it.

## 3.3 Bluetooth Interface Board

### Bluetooth status LED



The LED on the Bluetooth interface board on the rear of the printer indicates the status below.

Status	Description	LED Status
Detection standby (Discoverable)	Standing by for detection and connection	
Connection standby (Connectable)	Standing by for connection	
iOS connection	Data session unopened	
Communicating	iOS: data session opened Other OS: connection established and communication in progress	
Error	Error or settings being configured	Unit

### Pairing operation

You need to perform the operations below the first time you establish a Bluetooth connection for Bluetooth data communication.

- A: Detect Bluetooth devices
- B: Configure pairing settings

#### **A: Detecting Bluetooth devices**

Confirm that Bluetooth is enabled on the host PC before searching for Bluetooth devices.

This product will show up as "CT-S801II\_XX"(XX is last 2 digits of unique BD address.) when it is detected.

Select this product from among the detected devices.

Note: You can search for devices and change the names.

When memory switch MSW13-5 is set to "No Response" nothing is displayed by device detection.

You can temporarily switch this setting to device detection (detect mode) by pushing the switch on the Bluetooth interface board. Detect mode is exited when the connection between the host PC is terminated.

## B: Configuring pairing settings

Normally, selecting the printer during device detection will transition directly to pairing settings.



### CAUTION

Some host PC configurations and models may not transition directly to pairing settings after the printer is selected during device detection.

The operation required to configure pairing settings depends on whether SSP (secure simple pairing) is enabled on the host PC.

If SSP is enabled on the host PC, pairing can be achieved without additional operations.

If SSP is disabled on the host PC, you will be prompted to input a passkey.

Input the passkey as described below.

Passkey      Last four digits of the address on the self test printout  
(Letters A through F are uppercase)

Example: If the address is 01:23:45:67:89:AB  
the passkey is 89AB.

If you delete pairing information from the host PC without deleting the corresponding pairing information on the printer, the printer may not show up if you detect devices again with the host PC.

To delete printer pairing information, hold down the switch on the Bluetooth interface board for two seconds or more.

Deleting pairing information on the printer will put the printer into discovery mode.

### Auto reconnection

With iOS device Bluetooth communication, a connection between a paired iOS device and the printer is not automatically restored after it is lost. However, when auto reconnection is enabled, the printer tries to reconnect with an iOS device after two-way communication is enabled and automatically restores the connection.



### CAUTION

**This function is enabled when shipped from the factory. (MSW13-6)**

**Auto reconnection can take some time to connect when the host is not an iOS device.**

■ Even if the partner device is an iOS device, the conditions below can interfere with the auto reconnection function.

- **When you want Bluetooth communication to cut off after printing is complete**
- **When there are multiple iOS devices printing on the same printer**

Under such conditions, disable auto reconnection.

### Enabling and disabling auto reconnection

To change the setting of this feature, the following method is provided.

Press the FEED button 3 times during self test -> Auto reconnect = Valid

Press the FEED button 4 times during self test -> Auto reconnect = Invalid

At the end of self test, new setting will be printed as Auto reconnect [Valid] or [Invalid]



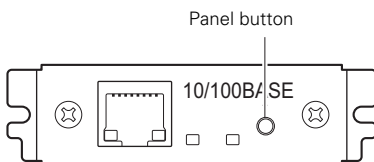
Refer to 4.4 Function Test Mode

## 3.4 Ethernet (LAN) Interface Board

This section provides an overview of the Ethernet (LAN) interface board. For details about this board, refer to the separate manual.

### Panel button operation

Board operations are performed using the panel button on the Ethernet board. You can use the button to print setup information and to return the board to its factory settings.



- **Printing network setup information**  
Press the panel button.
- **Entering setting mode**  
Hold down the panel button. A buzzer\* will sound once to indicate that setting mode has been entered.
  - You can use setting mode to read factory settings and to print firmware information.
  - If you do not perform any operation for three seconds while in setting mode, a buzzer\* will sound once to indicate the board has returned to normal mode.

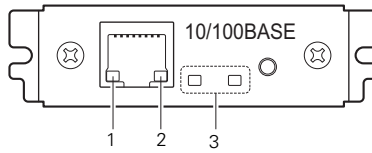
\* Depending on settings, the buzzer may not sound.
- **Returning to factory settings**  
Enter the board setting mode, and then hold down the panel button. This returns the board to its factory settings.

### **CAUTION**

- The board will automatically restart after this operation is complete.
- If settings are configured to obtain an IP address from a DHCP server automatically, the new IP address may be different from the previous one.

## LED Functions

The tables below explain how to interpret LED indications.



### 1. Network transmission speed

Transmission speed	LED (green)
100Mbps	Lit
10Mbps/Not connected	Unlit

### 2. Network status

Status	LED (yellow)
Connected	Lit
Not connected	Unlit
Data transmission in progress	Flashing

### 3. Board status

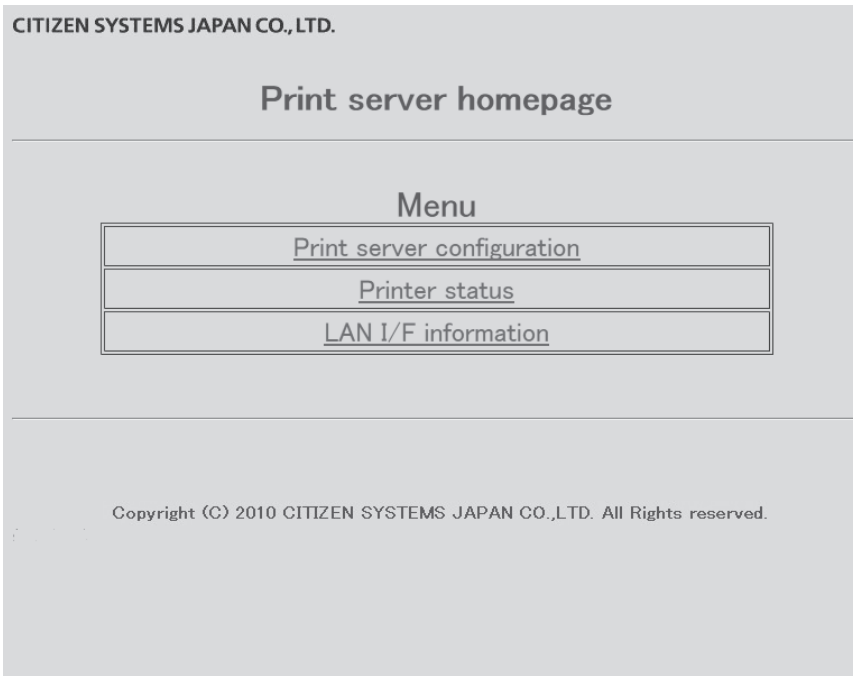
Status	LED (green)	LED (red)	Description
No printer connection	Unlit	—	Board is not connected with a printer.
Connecting with printer	Lit	—	Board is connected with a printer.
No network connection	—	Unlit	Board is not connected with a network.
Getting IP address	—	Flashing (0.5-second cycle)	Getting an IP address from the DHCP server.
Connected with network	—	Lit	Network connection complete.
Resource error	Alternate flashing (0.5-second cycle)		Board is unable to operate normally.
System error	Alternate flashing (0.1-second cycle)		Board is unable to operate normally.

## **Changing network settings**

You can use a web browser to access a special settings page to check and change board settings.

- Accessing the special settings page

1. **Use a web browser to access the URL of the special settings page. Specify the IP address assigned to the printer as the URL. (Example: For an IP address of 169.254.1.10, input: <http://169.254.1.10>.)**
2. **This displays the special settings page menu page.**



3. **Select "Print server configuration" to display the setting screen. For details about settings, refer to the separate manual.**

## 3.5 Wireless LAN Interface Board

This section provides an overview of the wireless LAN interface board. For details about this board, refer to the separate manual.

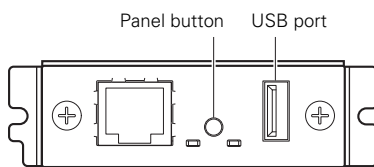
### Connecting USB dongle

Connect the USB WiFi dongle that comes with the wireless LAN interface board to the USB port connector.

To improve signal quality, you can also use a USB extension cable and adjust the position of the dongle.

### Panel button operation

Board operations are performed using the panel button on the rear of the LAN board.



- Enabling wireless LAN connection  
Turn on the printer. Operation of this board will start about 20 seconds later.
- Printing wireless LAN setup information  
Press the panel button.
- Entering setting mode  
Hold down the panel button. A buzzer\* will sound once to indicate that setting mode has been entered.
  - You can use setting mode to read factory settings.
  - If you do not perform any operation for three seconds while in setting mode, a buzzer\* will sound once to indicate the board has returned to normal mode.

\* Depending on the printer model and settings, the buzzer may not sound.
- Returning to factory settings  
Enter the board setting mode, and then hold down the panel button. This returns the board to its factory settings.

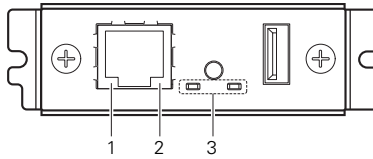


### **CAUTION**

- The board will automatically restart after this operation is complete. After clearing settings, you will need to re-configure wireless LAN settings.

## LED Functions

The tables below explain how to interpret LED indications.



### 1. Wired LAN transmission speed

Transmission speed	LED (green)
100Mbps	Lit
10Mbps/Not connected	Unlit

### 2. Wired LAN connection/transmission status

Connection status	LED (yellow)
Connected	Lit
Not connected	Unlit
Data transmission in progress	Flashing

### 3. Wired/Wireless LAN status

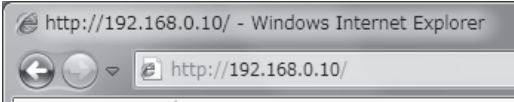
Connection status		LED (green)	LED (red)	Description
No printer connection		Unlit	—	Board is not connected with a printer.
Printer connection	No network connection	Lit	Unlit	Board is connected with a printer.
	Connected by wired LAN	Lit	Flashing (1-second cycle)	Getting an IP address from the DHCP server over wired LAN.
	Wired LAN operation	Lit	Lit	Network operation being performed over wired LAN.
	Connected by wireless LAN	Flashing (2-second cycle)	Flashing (1-second cycle)	Connecting to an access point or getting an IP address from the DHCP server over wireless LAN.
	Wireless LAN operation	Flashing (2-second cycle)	Lit	Network operation being performed over wireless LAN.
Resource error		Alternate flashing (1-second cycle)		Board is unable to operate normally.
System error		Alternate flashing (0.2-second cycle)		Board is unable to operate normally.

## Web Manager

The wireless LAN interface board has a Web Manager function that can be used to connect to the board with a web browser and change board settings.

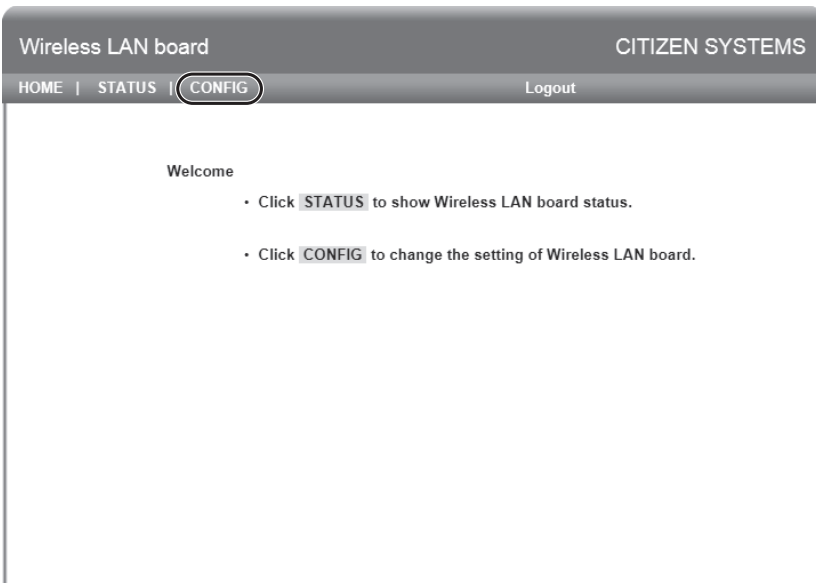
### Starting up Web Manager

1. **Start up a web browser.**
2. **In the address field, input the board's IP address and then press [Enter].**



### HOME Screen

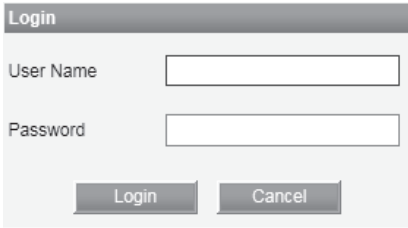
This is the Web manager home screen.



Here, press the [CONFIG] button.

## CONFIG Screen

This will display the Login dialog box shown below. Log in as an administrator and then configure wireless LAN interface board settings.

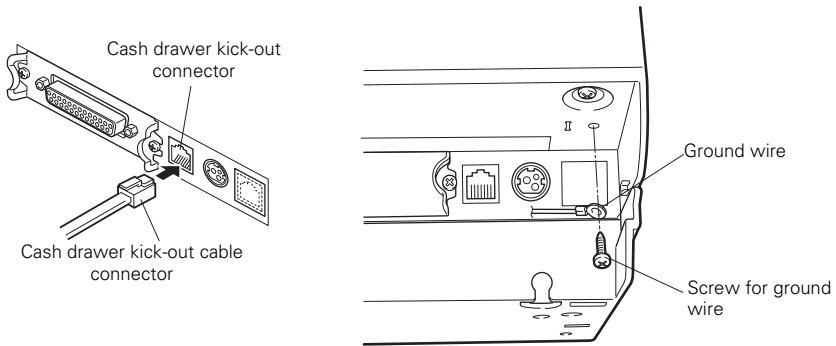
A screenshot of a 'Login' dialog box. The dialog has a title bar with the word 'Login' in a dark grey font. Below the title bar, there are two text input fields. The first is labeled 'User Name' and the second is labeled 'Password'. At the bottom of the dialog, there are two buttons: 'Login' on the left and 'Cancel' on the right. The background of the dialog is light grey.

- User Name  
Input a board administrator user name. (Initial setting: admin)
- Password  
Input the administrator user password. (Initial setting: admin)
- [Login] button  
After inputting an administrator user name and password, click the [Login] button.  
This displays the setting screen.

For details about settings, refer to the separate manual.

## 3.6 Connecting the Cash Drawer

1. Turn off the power.
2. Confirm the orientation of the cash drawer kick-out cable connector and connect it to the cash drawer kick-out connector at the back of the printer.
3. Remove the screw for the ground wire.
4. Screw the cash drawer's ground wire to the body of the printer.

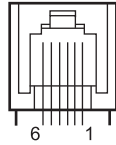


### CAUTION

- Connect only the cash drawer kick-out cable connector to the cash drawer kick-out connector. (Do not connect a telephone line.)
- Signals cannot be output from the cash drawer kick-out connector while printing.

(1) Connector pin configuration

No.	Signal	Function
1	FG	Frame ground
2	DRAWER1	Cash drawer 1 drive signal
3	DRSW	Cash drawer switch input
4	VDR	Cash drawer drive power supply
5	DRAWER2	Cash drawer 2 drive signal
6	GND	Signal ground (common ground on circuits)



Connector used:  
TM5RJ3-66 (Hirose) or equivalent  
Applicable connector:  
TM3P-66P (Hirose) or equivalent

(2) Electric characteristics

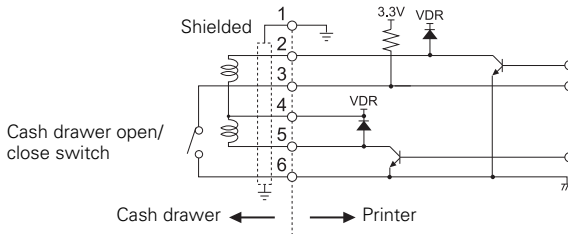
- 1) Drive voltage: 24 VDC
- 2) Drive current: Approx. 1 A max. (not to exceed 510 ms.)
- 3) DRSW signal: Signal levels: "L" = 0 to 0.8 V, "H" = 2 to 3.3 V

(3) DRSW signal

DRSW signal status can be tested with the DLE+EOT, GS+a, or GS+r command or at pin 34 on the parallel interface port.

(4) Drive circuit

Cash drawer kick-out connector



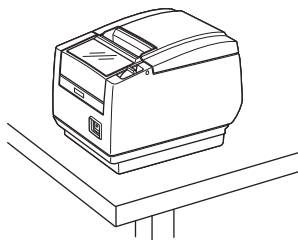
**CAUTION**

- Cash drawers 1 and 2 cannot be operated at the same time.
- The solenoid used for the cash drawer should be 24 Ω or more. Do not allow the electric current to exceed 1 A. Excessive current could damage or burn out the circuits.

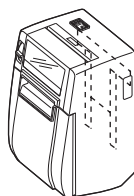
## 3.7 Precautions for Installing the Printer

The printer can be used horizontally, vertically, or installed on a wall. However, the CT-S801IIS (built-in power supply type) cannot be used vertically or installed on a wall.

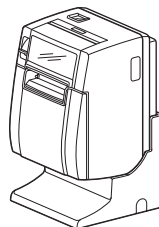
Use the optional stand for vertical applications, and the optional brackets for wall installations. Please refer to the manual for further details.



Horizontal position



Wall installation



Vertical position

You can change the memory switch settings to invert the LCD if the printer is used in a vertical position or installed on a wall.



Refer to 5.3 Manual Setting of Memory Switches



Refer to 2.1 Printer Appearance (LCD in the vertical or wall mounted position)

Change the paper near-end sensor settings for vertical and wall installations. (The factory setting for the paper near-end sensor is for horizontal installations.)



Refer to 3.10 Adjusting the Paper Near-end Sensor



### CAUTION

**Do not use the printer under the following conditions.**

- Locations subject to vibration or instability.
- Locations that are very dirty or dusty.
- Locations where the printer is not level.
- **The printer may fall and cause an injury.**
- **The quality of printing may deteriorate.**
- Oriented other than as specified.
- **The printer may malfunction, be damaged, or cause an electric shock.**

**Precautions for horizontal installations**

- Do not set cutting to full cut. Doing so may cause cutter jams.

**Precautions for vertical/wall installations**

- Adjust the paper near-end sensor.

**Precautions for vertical installations**

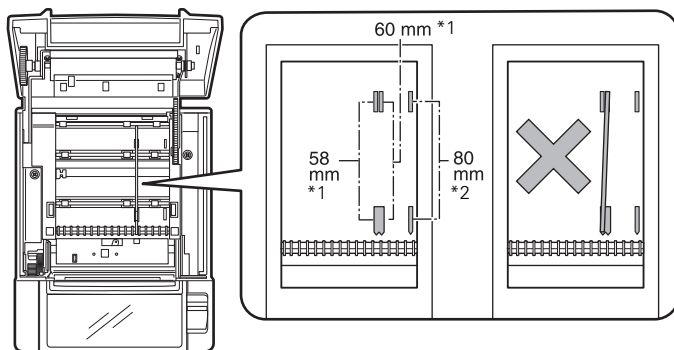
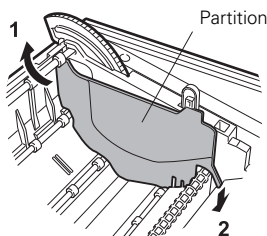
- The optional stand may fall over when you pull on partially cut thick paper. Do not use thick paper.

## 3.8 Partition for Paper Roll

Set the partition to the width of the paper roll you are loading.  
The partition is set at the factory to the position shown below.

- For 3-inch type: 80-mm wide paper roll
- For 2-inch type: 58-mm wide paper roll, 60-mm wide paper roll  
(2-sheet partition installed.)

1. Turn off the power.
2. Pull the cover open lever forward and open the paper cover.
3. Set the partition in a slot that matches the size of the paper roll you are using. However, to use an 83-mm wide paper roll, remove the partition. Or, when you are using a 60-mm wide paper roll with the 2-inch type, remove the partition installed for 58-mm.
4. Refer to “5.3 Manual Setting of Memory Switches” to change the paper width settings.



Notes:

\*1: 2-inch type (58/60 mm)

\*2: 3-inch type (80/83 mm)

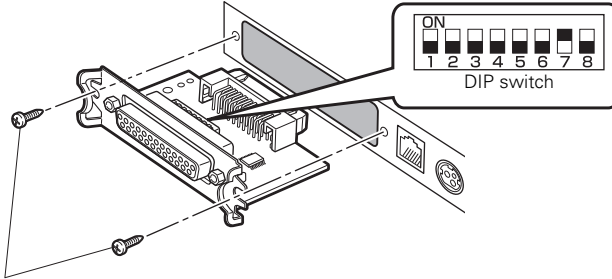


### CAUTION

Make sure the partition is not slanted when setting it for 58-mm or 60-mm paper rolls.

## 3.9 Setting the DIP Switch on the Serial Interface Board

1. Turn off the printer and unplug the power cord from the electric outlet.
2. Remove the mounting screws of the serial interface board.
3. Remove the serial interface board from the printer.
4. Set the DIP switch according to the following table.



Serial interface board mounting screws



### CAUTION

When setting the DIP switch, do not remove any screws except the serial interface board mounting screws.

The function of each switch is shown below. (Shaded values are factory settings. However, factory settings differ depending on the destination market.)

Switch no.	Function	ON	OFF
1	Communication condition setting	According to DIP switch settings	According to memory switch settings
2	Hand shake	XON/XOFF	DTR/DSR
3	Bit length	7 bits	8 bits
4	Parity check	Yes	No
5	Parity selection	Even parity	Odd parity
6	Baud rate selection	Refer to table below.	
7			
8	INIT	Reset	Invalid

### Baud rate selection

Baud rate (bps)	Switch no.	
	6	7
2400	OFF	OFF
4800	ON	OFF
<b>9600</b>	<b>OFF</b>	<b>ON</b>
19200	ON	ON

When switch no. 1 is set to OFF, you can use a command or a memory switch to select 1200, 38400, 57600, or 115200 bps.

## 3.10 Adjusting the Paper Near-end Sensor

Change the settings of the paper near-end sensor to set the position at which the near-end of the paper is detected.

1. Use a pointed object, such as a pen, to gently press the button to change the paper near-end sensor.
2. Press and hold down the button while moving the paper near-end sensor up, down, right and left. The sensor positions are shown below for the various diameters of the paper roll used.

When paper thickness is 75  $\mu\text{m}$  or less

(Unit: mm)

Sensor position	Exterior diameter when detected as near end	Exterior/ interior diameter of core of paper roll used
A, a	Approximately $\phi 31$	$\phi 18/\phi 12$
B*, b	Approximately $\phi 23$	$\phi 18/\phi 12$
C	Paper near-end sensor function is off	

When paper thickness is 75  $\mu\text{m}$  or more

(Unit: mm)

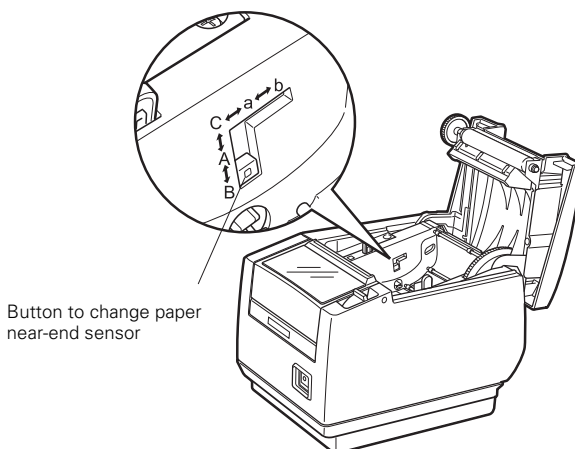
Sensor position	Exterior diameter when detected as near end	Exterior/ interior diameter of core of paper roll used
A, a	Approximately $\phi 41$	$\phi 32/\phi 25.4$
B*, b	Approximately $\phi 34$	$\phi 32/\phi 25.4$
C	Paper near-end sensor function is off	

Note:

\*: Position of sensor when shipped from factory. However, factory settings differ depending on the destination market.

### CAUTION

The diameter of the roll of paper that is detected is an estimate. Some variations may occur depending on the paper.



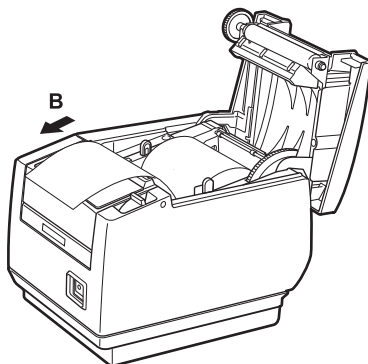
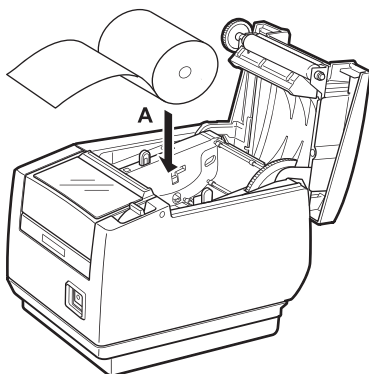
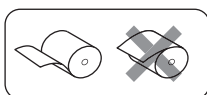
("A" and "B" are for horizontal installations, and "a" and "b" are for vertical or wall installations.)

## 3.11 Loading Paper

1. Turn on the power.
2. Pull the cover open lever forward and open the paper cover.
3. Lock the paper damper when using label paper or thick paper.
4. Load the paper roll so that the printable side of the paper is facing down, as shown by arrow A.
5. Pull a few cm of paper straight out in the direction of arrow B.
6. Close the paper cover until you hear a click. Paper is fed and cut automatically (by the factory setting).



Refer to 5.3 Manual Setting of Memory Switches



### CAUTION

- Always use the specified types of paper rolls.
- Confirm that the paper roll is set correctly.
- If the paper is skewed and not coming straight out of the paper cover, open it and straighten the paper.
- Always pull a few cm of paper straight out of the printer if you open the paper cover while paper is loaded.
- Press on the center of the paper cover to close it securely.
- Be careful of paper cuts while loading the paper.
- Do not touch the print head, manual cutter, or auto cutter while the paper cover is open. Doing so may cause a burn or cut.

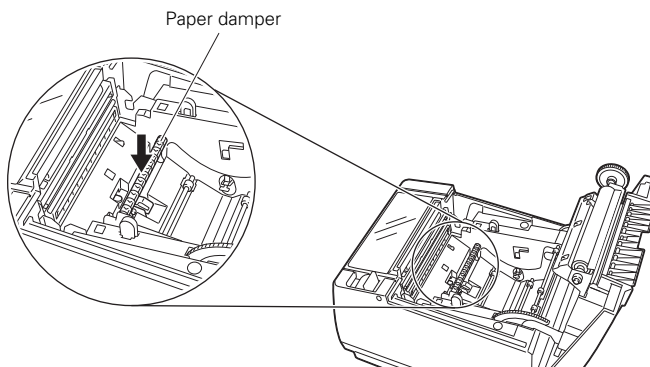
## 3.12 Calibrating the Paper Sensor

Calibrate the paper sensor to suit the actual paper you are using before using label paper or black mark paper.

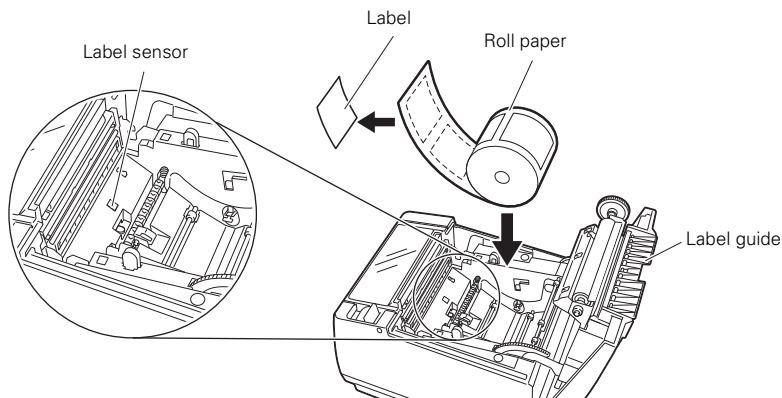
When you perform the procedure below, the printer will automatically feed the paper loaded in it and set the sensor to the optimum sensitivity. Or, the paper type is automatically selected.

### To load label paper

1. Turn off the power.
2. Pull the cover open lever forward and open the paper cover.
3. Press in on the paper damper in the direction indicated by the arrow until it clicks.



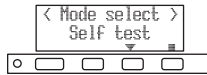
4. Peel off the first label of the label paper.  
Peel off a few labels, if they are short, so at least 5 cm of paper is uncovered.
5. Load the paper roll so that the printable side of the paper is facing down.
6. Adjust the paper position so the part from which you peeled the label is located above the label sensor.



7. Close the paper cover.

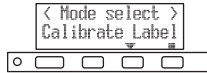
**8. While holding down button 1, turn on the power.**

The function test mode starts and "Self test" appears on the LCD.



**9. Press button 3 (▼) five times.**

"Calibrate Label" appears on the LCD.



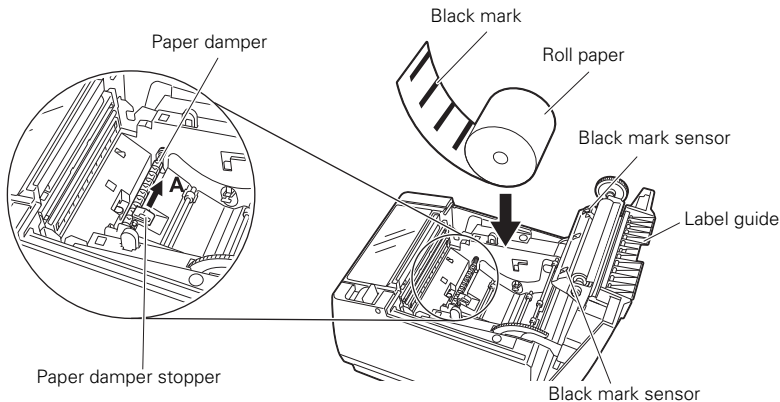
**10. Press button 4 (■).**

Paper sensor calibration starts.

- 11. "Online" will appear on the LCD if paper sensor calibration is successful.  
If paper sensor calibration fails, an error message will appear on the LCD.**

**To load black mark paper**

1. Turn off the power.
  2. Pull the cover open lever forward and open the paper cover.
  3. Slide the paper damper stopper in the direction indicated by arrow A and release the paper damper lock.
- Lock the paper damper whenever you are using black mark label paper.
4. Load the paper roll so that the printable side of the paper is facing down.
  5. Check to make sure the paper is above the paper damper.
  6. Adjust the paper position so no black mark is located under the black mark sensor.



**7. Close the paper cover.**

**8. While holding down button 1, turn on the power.**

The function test mode starts and "Self test" appears on the LCD.



9. **Press button 3 (▼) four times.**  
"Calibrate BM" appears on the LCD.



10. **Press button 4 (■).**  
Paper sensor calibration starts.
11. **"Online" will appear on the LCD if paper sensor calibration is successful.**  
**If paper sensor calibration fails, an error message will appear on the LCD.**



Refer to 4.7 Error Messages



Refer to 3.13 Selecting a Paper Type



## CAUTION

- Do not allow more than 10 sheets of cut paper to collect in the paper catch tray (label guide). More than 10 sheets of paper may cause a paper jam.
- Be sure to re-calibrate the paper sensor whenever you change to another type of black mark paper.

## 3.13 Selecting a Paper Type

Select a paper type in “Paper select” in the Function Test Mode to change the type of paper being used.

**1. Load paper.**

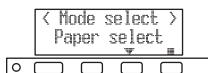
**2. While holding down button 1, turn on the power.**

The function test mode starts and “Self test” appears on the LCD.



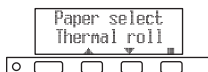
**3. Press button 3 (▼) three times.**

“Paper select” appears on the LCD.



**4. Press button 4 (■).**

“Thermal roll” appears on the LCD.



**5. Each press of button 3 (▼) cycles through the paper types on the LCD as follows: Thermal roll → Black mark → Label → Thermal roll.**

**Keep pressing button 3 (▼) until the paper type you want to use is displayed.**

**6. Press button 4 (■).**

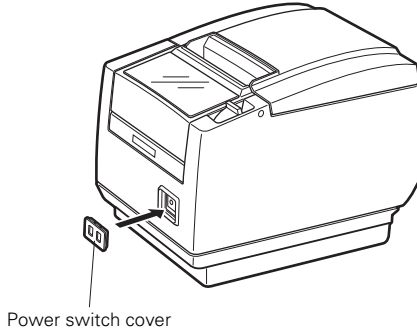


Refer to 3.11 Loading Paper

## 3.14 Attaching the Power Switch Cover

Attach this cover to prevent the power switch from being used.

1. **Press the power switch cover onto the power switch compartment until it clicks.**



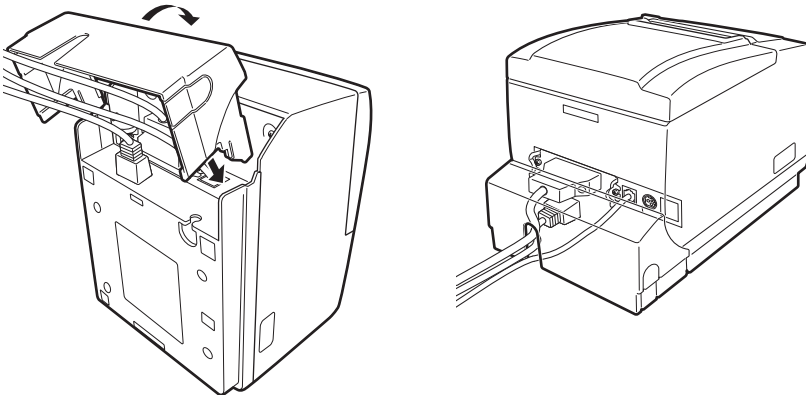
Put a screwdriver or other pointed object into the grooves on the power switch cover to remove it.

## 3.15 Attaching the Interface Cover

Attach the interface cover to the back of the printer.

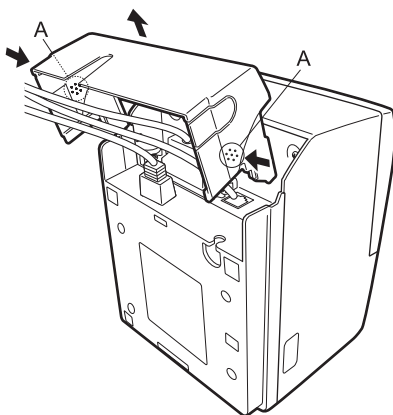
The shape of the interface cover is different depending on the type of power source.

1. **Press the interface cover as shown in the diagram until you hear it click.**



## 3.16 Removing the Interface Cover

Press in on both sides at the point indicated by A to remove the interface cover.



CT-S801IIS

## 3.17 Installing a Driver

Drivers are included on the CD-ROM that comes with the printer.

Install the driver required by your printer.

For information about driver installation, functions, and operations, see the information provided on the CD-ROM for each driver.

Visit the site below to download the latest driver versions and information.

<http://www.citizen-systems.co.jp/english/support/download/printer/driver/>

## **3.18 Precautions for Creating Applications and Practical Operations**

If printing is done immediately after the paper is partially cut and torn off, the top of the next print out may be distorted.

We recommend advancing the paper one line after cutting before printing.

If you are using a serial interface that has a slow data transmission speed, streaks may appear in the printouts when you are printing graphics or gradated text, which require large amounts of data.

USB interfaces may be susceptible to the effects of electromagnetic interference from the host or environment.

If this is the case, try using a cable with ferrite cores on both ends, which are very effective at eliminating EMI.

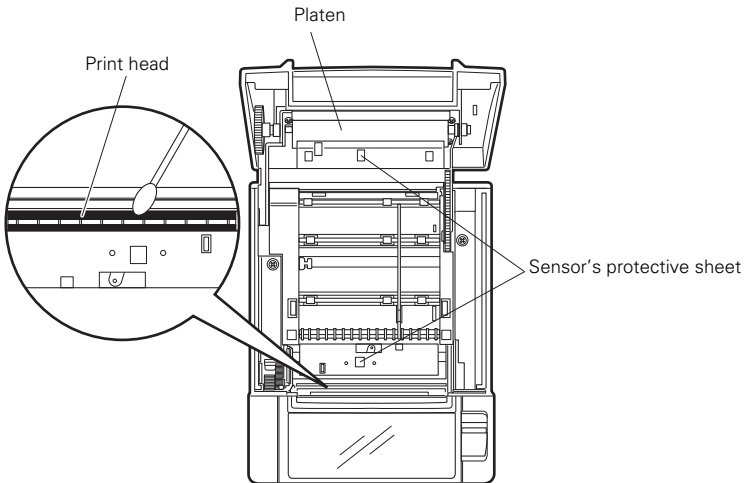
## 4. MAINTENANCE AND TROUBLESHOOTING

### 4.1 Periodic Cleaning

A dirty print head or platen may reduce printing quality or cause malfunctions. Also, if paper dust collects on the sensor's protective sheet, paper cannot be detected correctly. We recommend cleaning the printer periodically (every 2 to 3 months) as shown below.

1. **Turn off the power.**
2. **Pull the cover open lever forward and open the paper cover.**
3. **Wait a few minutes until the print head cools.**
4. **Use a cotton swab dampened with ethyl alcohol to wipe off any dirt and dust that is on the print head and platen.**
5. **Use a cotton swab dampened with a little water to wipe off the sensor's protective sheet.**

Make sure there are no water drops on the cotton swab before wiping.

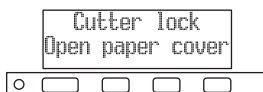


### CAUTION

- The print head is hot immediately after printing. Do not touch it.
- Do not touch the print head with bare hands or metal objects.
- Do not use alcohol or cleansers to clean the surface of the sensor's protective sheet. Doing so may fog the sensor's protective sheet.
- Paper scraps may stick to the platen when adhesive labels are full cut depending on the printer's environment, the diameter of the paper roll, and the quality of the label backing.

## 4.2 Clearing a Cutter Lock (1)

The message “Cutter lock” may appear and the auto cutter blade may remain extended because a foreign object or paper jam is obstructing it.



If “Cutter lock” is displayed, clear the locked cutter as shown below.

1. **Turn on the power.**
2. **Pull the cover open lever forward and open the paper cover.**
3. **Remove any jammed paper including any scraps of paper. (Remove the paper roll that is loaded in the holder also.)**
4. **Reload the paper roll and close the paper cover.**



### CAUTION

- The print head is hot immediately after printing. Do not touch it.
- Do not touch the print head with bare hands or metal objects.

After doing the procedure in “Clearing a Cutter Lock (1)” and then opening the paper cover, if the blade of the auto cutter is extended, do the procedure in “Clearing a Cutter Lock (2)”.

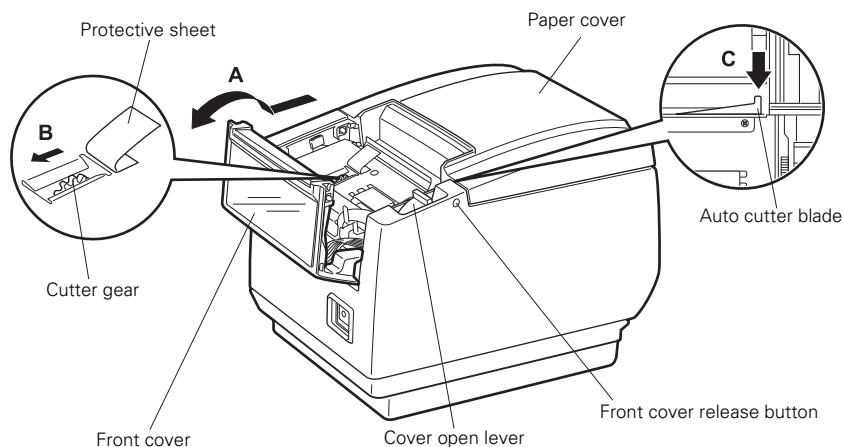


Refer to 4.3 Clearing a Cutter Lock (2)

## 4.3 Clearing a Cutter Lock (2)

The paper cover is designed to be opened if the cutter locks by pressing the cover open lever. If this does not open the paper cover, use the following procedure to clear the locked cutter.

- 1. Turn off the printer and unplug the power cord from the electric outlet.**
- 2. Press the front cover release button with a pointed object, such as a pen, and open the front cover in the direction of arrow A.**  
Slide the front cover 3 to 4 mm in the direction of arrow A and rotate it forward.
- 3. Lift the protective sheet and turn the cutter gear in the direction of arrow B to return the auto cutter to a position where the paper cover can be opened.**  
Turn the cutter gear until the auto cutter blade retracts in the direction of arrow C. If the blade of the auto cutter does not move when you turn the cutter gear in the direction of arrow B, turn it in the other direction.
- 4. Pull the cover open lever forward and open the paper cover.**
- 5. Remove whatever caused the cutter to lock.**
- 6. Close the front cover.**  
Rotate the front cover in the opposite direction of arrow A and then slide it until it clicks.
- 7. Load a paper roll and close the paper cover.**
- 8. Insert the power cord plug into an electric outlet and turn the power on.**  
Check that the LED lights green.



### CAUTION

- Before starting to do maintenance work, be sure to turn off the printer and unplug the power cord from the electric outlet.
- Be careful not to touch the manual cutter while the front cover is open.
- Be careful not to touch the opening for the auto cutter while the paper cover is open.
- The print head is hot immediately after printing. Do not touch it.
- Do not touch the print head with bare hands or metal objects.
- If the above procedure does not retract the auto cutter, contact your Citizen Systems dealer.

# 4.4 Function Test Mode

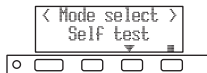
Press and hold button 1 while turning on the printer to access the function test mode.

Use button 3 (▼) to select a function, use button 4 (■) to execute the function. Except for the self test and printing memory switch settings, all functions are for service personnel only. Do not operate those functions.

## Self test

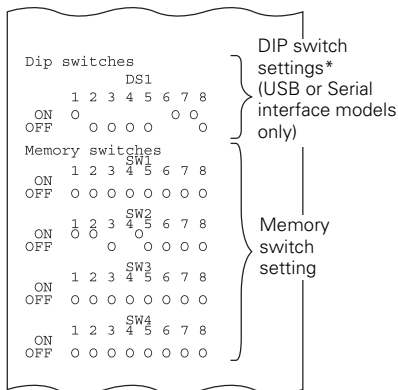
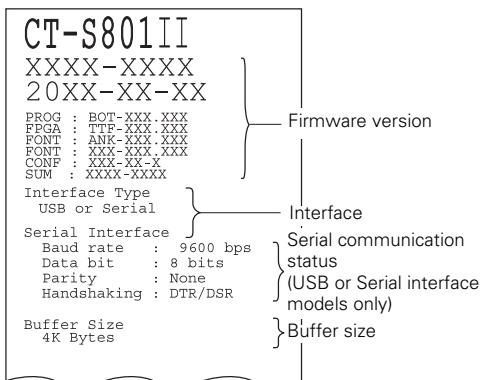
1. While paper is loaded, press and hold button 1 while turning the power on.

The function test mode starts and "Self test" appears on the LCD.



2. Press button 4 (■).

Self test starts. The printer prints its model name, version, DIP switch settings, memory switch settings, and a list of built-in fonts.

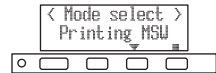


Note:

\*: Printers with a USB interface do not have DIP switches, so the DIP switches all appear off on the self test printout.

## Printing memory switch settings

1. While paper is loaded, press and hold button 1 while turning the power on. The function test mode starts and "Self test" appears on the LCD.
2. Press button 3 (▼). "Printing MSW" appears on the LCD.
3. Press button 4 (■). A list of the current memory switch settings starts printing.



The function test mode has the following sub modes.

Function	Description
Self test	Runs self test.
Printing MSW	Prints memory switch settings.
Quick Setting *1	Sets the memory switches to be compatible with specific models.
Paper select *2	Selects the paper type.
Calibrate BM *2	Used to calibrate the black mark sensor.
Calibrate Label *2	Used to calibrate the label sensor.

Notes:

- \*1: The memory switches are automatically set to their optimum settings by selecting the manufacturer and model of the printer being replaced.
- \*2: Label-printing models and black mark models.

### Selected item

Manufacturer	Model	Paper width	Character space
CITIZEN	CBM1000	58 mm	—
		80 mm	—
	CT-S300	58 mm	—
		80 mm	—
	CT-S2000	58 mm	—
		60 mm	—
		80 mm	—
		83 mm	—
EPSON	T88	58 mm	0dot
			1dot
		80 mm	0dot
			1dot
	203dpi	58 mm	—
		60 mm	—
80 mm		—	

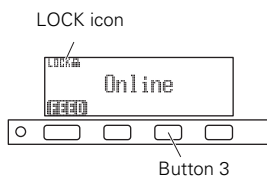


### Automatic memory switch settings

MSW2-4 Full Col Print	MSW3-7 CBM1000 Mode	MSW8-1 Print Width	MSW6-2 Character Space
Auto linefeed	Valid	432dots	—
Auto linefeed	Valid	576dots	—
WaitData	Invalid	384dots	—
WaitData	Invalid	576dots	—
Auto linefeed	Valid	432dots	—
Auto linefeed	Valid	436dots	—
Auto linefeed	Valid	576dots	—
Auto linefeed	Valid	640dots	—
WaitData	Invalid	360dots	0dot
WaitData	Invalid	390dots	1dot
WaitData	Invalid	512dots	0dot
WaitData	Invalid	546dots	1dot
WaitData	Invalid	420dots	—
WaitData	Invalid	436dots	—
WaitData	Invalid	576dots	—

## 4.5 Key Lock Function

Press and hold the MENU button while the printer is running to be able to change the memory switch settings.  
Activate the key lock to prevent making changes by mistake.



### **Setting the key lock**

To set the key lock, press and hold button 3 (for at least three seconds).  
MENU disappears, and the LOCK icon appears.  
In this condition, it is not possible to enter the memory switch setting mode even if you press and hold the MENU button.

### **Releasing the key lock**

To release the key lock, press and hold button 3 (for at least three seconds).  
The LOCK icon disappears, and MENU appears.

## 4.6 Hexadecimal Dump Printing

Print received data in hexadecimal. If problems such as missing or duplicated data occur, this function allows you to check whether or not the printer is receiving data correctly.

### How to do hexadecimal dump printing

1. **Load paper.**
2. **While the paper cover is open, press and hold button 1 while turning the power on, and then close the paper cover. Enter HEX dump print mode.**
3. **The printer prints "HEX dump print mode" followed by the received data printed in hexadecimal numbers and some characters.**

### How to stop hexadecimal dump printing

Do one of the following to stop printing.

- Press button 1 (FEED) three times in a row
- Turn off the power
- Receive a reset command from an interface



## CAUTION

- The printer prints "." if there is no character corresponding to the data.
- None of the commands function during hexadecimal dump printing.
- If print data does not cover a complete line, press button 1 (FEED) to advance the paper.

Print example

HEX dump print mode

```
61 62 63 64 65 66 67 0A 0D 0D 0D 0D abcdefg.....  
0D 0D 0D .....  
.....
```

## 4.7 Error Messages

- Paper end

The end of the roll of paper is detected at two stages, paper near-end and paper-end.

When paper near-end is detected, "PAPER LOW" appears on the LCD and the LED lights orange. Prepare a new paper roll.

When paper-end is detected, "Paper end" appears on the LCD and the LED lights red. Load a new paper roll.

- Paper cover open

Do not open the paper cover during printing. If the paper cover is opened, the LED and LCD light red. Check the paper and always pull a few cm of paper straight out of the printer before closing the paper cover. Printing resumes. Sending a command to resume printing may be required depending on the memory switch setting.

- Cutter lock

If the auto cutter cannot move because of a paper jam or something else, the LED and LCD light red. Remove the cause of the trouble and press button 1 (FEED). If the auto cutter still does not operate and the paper cover does not open, refer to "4.3 Clearing a Cutter Lock (2)".



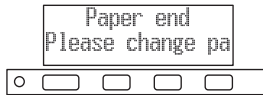
Refer to 4.3 Clearing a Cutter Lock (2)

- Head overheat

When you print dense characters, dark images, or for an extended time in a hot environment, the print head temperature increases. If the print head exceeds a specified temperature, the printer stops printing and waits for the print head to cool. When this happens, the LED and LCD light orange. Printing resumes automatically when the print head cools.

The situation during various errors is shown below.

The LCD's top line is the type of error, the bottom line is the remedy. Scroll through messages that are longer than 16 characters.



Status	Message	LED	Backlight	Buzzer*2
Paper near-end	PAPER LOW	Orange	—	No
Paper-end	Paper end Please replace paper roll.	Red	Red	Yes
Front cover open	Front cover open Please close front cover.	Red	—	Yes
Paper cover open	Paper cover open Please close paper cover.	Red	—	Yes
Cutter locked	Cutter lock Open paper cover & remove jam.	Red	Red	Yes
Print head hot	Head overheat Please wait, will continue	Orange	—	No
Memory error	—	Red	—	No
System error	System error Please contact your dealer	Red	Red	No
Low-voltage error	L Voltage Error Please contact your dealer	Red	Red	No
High-voltage error	H Voltage Error Please contact your dealer	Red	Red	No
Black mark label error	BM/Label Error Please check paper/calibration.	Red	Red	Yes
Sensor calibration error	Calibration Err. Please check paper.	Red	Red	Yes
Waiting for macro to execute *1	Press a key -> Executing macro	Flashing green	—	No

Notes:

\*1: LED may light while macro is executing.

\*2: Buzzer sounds when MSW5-1 (buzzer setting) is set to ON. Note, however, that some combinations of settings of MSW5-1 and MSW10-6 may change the condition in which buzzer sounds.

## 4.8 Paper Jams

Take care to avoid obstruction of the paper outlet and paper jamming around the outlet during printing.

If paper cannot get out of the printer, it can roll up on the platen inside the printer and cause an error.

If the paper wraps around the platen, open the paper cover and carefully pull the paper out.

## 4.9 Serial Interface Operation Precautions

While using the serial interface, certain printing conditions can cause white stripes in printouts and feed failure. To avoid these problems, change memory switch settings as described below.

1. **Change MSW7-1 (serial baud rate) to a faster baud rate setting.**
2. **Change MSW10-2 (print speed) to a lower level.**



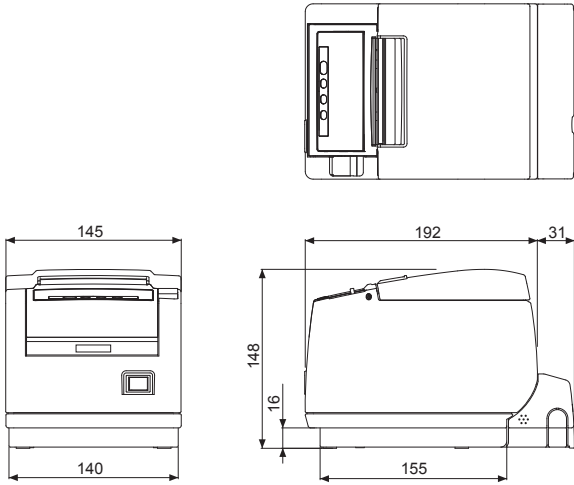
### CAUTION

Depending on the serial interface transmission speed, ambient temperature, print data duty, and other factors, changing the above settings may not eliminate the problems.

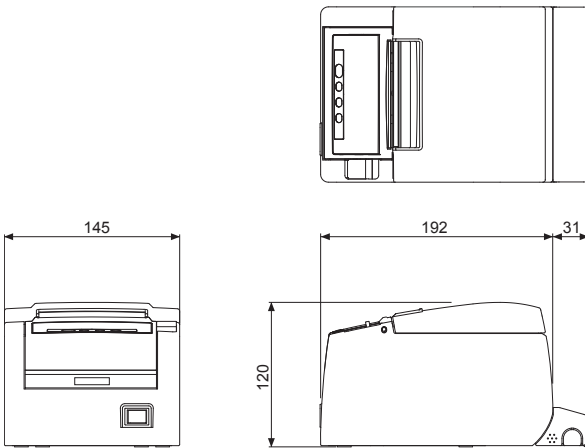
# 5. OTHER

## 5.1 External Views and Dimensions

(Unit: mm)



Built-in power supply type



AC adapter type

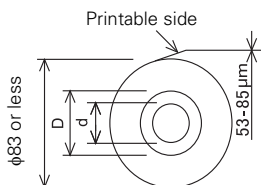
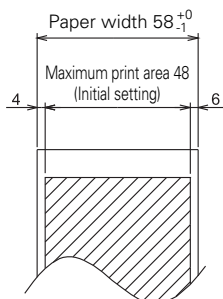
## 5.2 Printing Paper

Use the paper shown in the following table or paper of the same quality.

Paper type	Product name
Recommended thermal roll paper	TF50KS-E2D, TF50KS-E or TF60KS-E from Nippon Paper PD150R or PD160R from Ohji Paper P220AG, HP220A, HP220AB-1, F230AA, P220AB, or PB670(2-color paper) from Mitsubishi Paper

### a) Thermal roll paper

(Unit: mm)



Paper thickness ( $\mu\text{m}$ )	53-75	75-85
Core inner diameter d (mm)	$\phi 12$	$\phi 25.4$
Core outer diameter D (mm)	$\phi 18$	$\phi 32$

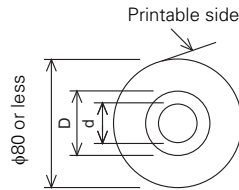
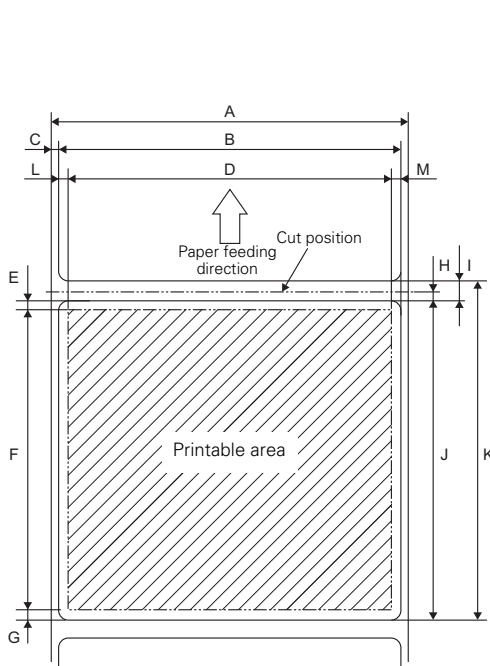


## CAUTION

Use thermal paper that is wound as follows:

- Not creased and fits tight to the core.
- Not folded.
- Not glued to the core.
- Rolled with the printable side out.

## b) Label paper



### Roll paper specifications

Label paper thickness (μm)	65 to 85
Label backing thickness (μm)	60 or less
Core inner diameter d (mm)	25.4
Core outer diameter D (mm)	32

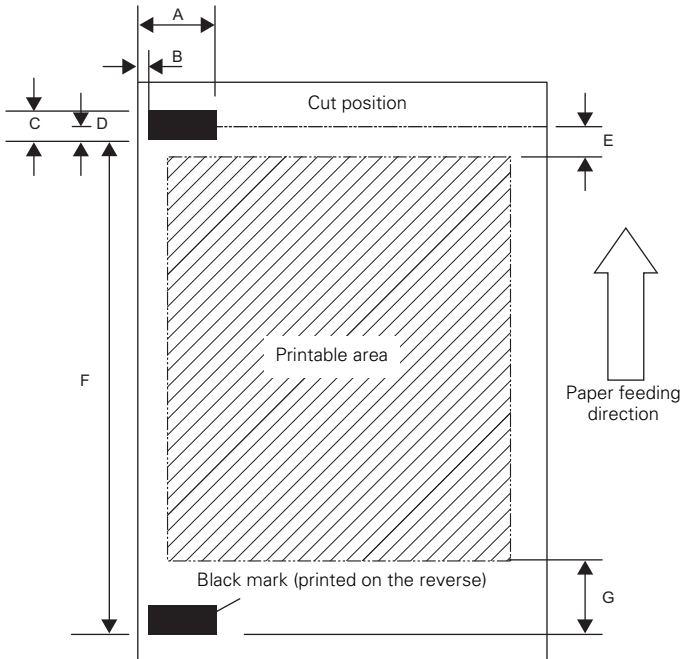
(Unit: mm)

Mark	Item	Dimensions
A	Label backing width	575, 59.5, 79.5, 82.5 ± 0.5
B	Label width	(Size A) -4 ± 0.5
C	Left edge of label	2 ± 0.5
D	Print width	(Size A) -8
E	Top margin	2 ± 1
F	Print length	21 to 296
G	Bottom margin	2 ± 1
H	Cut position between labels	1/2 x (Size I)
I	Gap between labels	4 to 30
J	Label length	25 to 300
K	Label pitch	I + J
L	Left margin	2 ± 1
M	Right margin	2 ± 1

## CAUTION

- Note the following points when using the auto cutter. Ignoring this information can result in cutter lock or cutter malfunction.
  - Make sure the paper cut length is at least 29 mm.
  - Make sure the cut position is between labels. Cut the backing paper. Do not cut label paper (tack paper).
- Always re-calibrate the paper sensor whenever you change the label backing paper type.
- Make sure the left and right margins of the paper are at least 2 mm each.

### c) Black mark paper



(Unit: mm)

Mark	Item	Dimensions	
		M1	M2*
A	Right edge of black mark	13.4 or more	79 or more
B	Left edge of black mark	0.4 or less	67.7 or less
C	Black mark height	5	
D	Cut position in black mark	2.5	
E	Top margin	6.5	
F	Black mark pitch	30 to 300	
G	Bottom margin	9	

Note:  
\*:3-inch type only

## CAUTION

- The black mark PCS value should be at least 0.90.
- Concerning the accuracy of feeding with black mark detection, allow for an error of  $\pm 2$  mm from the reference print position, or for a maximum error of -5% from the value set for the print length.
- The print area is as shown in the illustration above when black marks are being used. Make sure to allow for adequate margins. The printer will perform a page skip operation if the print data runs outside of the print area.
- When pre-printing on black mark paper, print outside of the area detected by the black mark sensor.

## 5.3 Manual Setting of Memory Switches

Memory switches are used to set various printer settings. The memory switches can be set manually (set by hand on the printer) or by commands. This section explains how to perform manual settings.

Memory switch settings are done in memory switch setting mode or virtual DIP switch setting mode. In the memory switch setting mode, you can set the values for MSW1 to MSW13. In the virtual DIP switch setting mode, you can set the values for MSW1 to MSW6.

For information on how to set the memory switches using commands, please refer to the Command Reference.

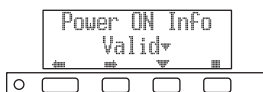
### Outline of procedure

1. **Enter memory switch setting mode or virtual DIP switch setting mode.**
2. **Change settings that need to be changed.**
3. **Go to the save settings menu.**
4. **Save settings.**

### Memory switch setting mode

While "Online" is displayed, press and hold button 4 (MENU) for at least two seconds. Or, while paper is loaded, press and hold button 3 and then turn on the power.

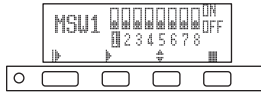
Enter memory switch setting mode.



- Press button 1 (◀) or button 2 (▶) to select items to set.
  - Press button 3 (▼) to select a value for the selected item.
  - Press button 4 (■) to go to the save settings menu.
- **To set all the memory switches to the factory settings:**  
**Press button 1 until "Factory Setting /Set" appears (after MSW13-6).**  
**Press and hold button 4 for at least two seconds. All memory switches change to the factory settings.**

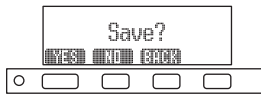
## **Virtual DIP switch setting mode**

While paper is loaded, press and hold button 2 while turning the power on. Enter virtual DIP switch setting mode.



- Press button 1 (◀▶) to select a memory switch number. (Switches cycle in the following order: MSW1 → MSW2 → ... → MSW6 → MSW1)
- Press button 2 (▶) to move from switch 1 towards switch 8. (The selection loops from 8 back to 1.)
- Press button 3 (↕) to change between ON and OFF.
- Press button 4 (■) to go to the save settings menu.

## **Save settings menu**



- Press button 1 (YES) to save the settings and return to the "Online" display.
- Press button 2 (NO) to not save the settings and return to the "Online" display.
- Press button 3 (BACK) to return to the previous mode.

The function of each memory switch is shown in the following table. (Shaded values are factory settings.)

Switch no.	Function	OFF	ON
MSW1-1	Power ON Info	<b>Valid</b>	Not Send
MSW1-2	Buffer Size	<b>4K bytes</b>	45 bytes
MSW1-3	Busy Condition	<b>Full/Err</b>	Full
MSW1-4	Receive Error	<b>Print“?”</b>	No Print
MSW1-5	CR Mode	<b>Ignored</b>	LF
MSW1-6	Reserved	<b>Fixed</b>	—
MSW1-7	DSR Signal	<b>Invalid</b>	Valid
MSW1-8	Init Signal	<b>Invalid</b>	Valid
MSW2-1	Reserved	—	<b>Fixed</b>
MSW2-2	Auto Cutter	Invalid	<b>Valid</b>
*1 MSW2-3	Spool Print	<b>Invalid</b>	Valid
MSW2-4	Full Col Print	LineFeed	<b>WaitData</b>
MSW2-5	Resume aft PE	<b>Next</b>	Top
MSW2-6	Reserved	<b>Fixed</b>	—
MSW2-7	Reserved	<b>Fixed</b>	—
MSW2-8	PNE Sensor	<b>Valid</b>	Invalid
MSW3-1	Resume Ctrr Err	<b>Valid</b>	Invalid
MSW3-2	PE signal by PNE	Valid	<b>Invalid</b>
MSW3-3	Parallel 31 Pin	<b>Valid</b>	Invalid
MSW3-4	Reserved	<b>Fixed</b>	—
MSW3-5	Reserved	<b>Fixed</b>	—
MSW3-6	Reserved	<b>Fixed</b>	—
MSW3-7	CBM1000 Mode	<b>Invalid</b>	Valid
MSW3-8	Resume Open Err	<b>Close</b>	Command
MSW4-1	Reserved	<b>Fixed</b>	—
*2*3 MSW4-1	PLength Set	<b>Auto Measure</b>	Command
MSW4-2	Reserved	<b>Fixed</b>	—
*2*3 MSW4-2	Power on TOF	<b>Invalid</b>	Valid
MSW4-3	Feed&Cut at TOF	Invalid	<b>Valid</b>
*2*3 MSW4-3	Feed&Cut at TOF	<b>Invalid</b>	Valid
MSW4-4	Reserved	<b>Fixed</b>	—
*2*3 MSW4-4	Paper Select	Thermal Roll	<b>BM.P/Lbl.P</b>
MSW4-5	Reserved	<b>Fixed</b>	—
*2 MSW4-5	Position Detect	Black Mark	<b>Label</b>
*3 MSW4-5	Position Detect	<b>Black Mark</b>	Label
MSW4-6	Reserved	<b>Fixed</b>	—
*2*3 MSW4-6	Measure at close	Invalid	<b>Valid</b>
MSW4-7	Reserved	<b>Fixed</b>	—
MSW4-8	Partial Only	Invalid	<b>Valid</b>
MSW5-1	Buzzer	<b>Valid</b>	Invalid
MSW5-2	Line Pitch	<b>1/360</b>	1/406

Switch no.	Function	OFF	ON
MSW5-3	USB Mode	Virtual COM	<b>Printer Class</b>
MSW5-4	Reserved	<b>Fixed</b>	—
MSW5-5	GradationQuality	<b>Quality</b>	Speed
MSW5-6	Reserved	<b>Fixed</b>	—
MSW5-7	Reserved	<b>Fixed</b>	—
MSW5-8	Reserved	<b>Fixed</b>	—
MSW6-1	Act. For Driver	<b>Invalid</b>	Valid
MSW6-2	Character Space	<b>Invalid</b>	Valid
MSW6-3	USB Power Save	Invalid	<b>Valid</b>
MSW6-4	Reserved	<b>Fixed</b>	—
MSW6-5	Reserved	<b>Fixed</b>	—
MSW6-6	Reserved	<b>Fixed</b>	—
MSW6-7	Reserved	<b>Fixed</b>	—
MSW6-8	Reserved	<b>Fixed</b>	—

Switch no.	Function	Initial setting	Setting value
*4 MSW7-1	Baud Rate	<b>9600 bps</b>	1200 bps, 2400 bps, 4800 bps, 9600 bps, 19200 bps, 38400 bps, 57600 bps, 115200 bps
*4 MSW7-2	Data Length	<b>8bits</b>	7bits, 8bits
MSW7-3	Stop Bit	<b>1bit</b>	1bit, 2bits
*4 MSW7-4	Parity	<b>NONE</b>	NONE, EVEN, ODD
*4 MSW7-5	Flow Control	<b>DTR/DSR</b>	DTR/DSR, XON/XOFF
MSW7-6	DMA Control	<b>Valid</b>	Valid, Invalid
MSW7-7	VCom Protocol	<b>PC Setting</b>	PC Setting, DTR/DSR, XON/XOFF
MSW8-1	Print Width	<b>576dots (3-inch type) 384dots (2-inch type)</b>	640 dots, 576 dots, 546 dots, 512 dots, 436 dots, 432 dots, 420 dots, 390 dots, 384 dots, 360 dots
MSW8-2	Paper Type	<b>1 Color Normal</b>	1 Color Normal, 2 Color Normal
MSW8-3	Top Margin	<b>11mm</b>	3mm, 4mm, 5mm, 6mm, 7mm, 8mm, 9mm, 10mm, 11mm
MSW8-4	Line Gap Reduce	<b>Invalid</b>	Invalid, 3/4, 2/3, 1/2, 1/3, 1/4, 1/5, ALL
MSW8-5	Reduced Char V/H	<b>100% / 100%</b>	100% / 100%, 75% / 100%, 50% / 100%, 100% / 75%, 75% / 75%, 50% / 75%
MSW8-6	Auto Side Shift	<b>Invalid</b>	Invalid, 1 dots, 2 dots, 3 dots, 4 dots, 5 dots, 6 dots, 7 dots
MSW8-7	Liner Free Mode	<b>Invalid</b>	Invalid, 1h, 6h, 12h, 18h, 24h, 5m, 10m, 15m, 20m, 30m
MSW9-1	Code Page	<b>PC 437</b>	PC 437, Katakana, PC 850,858, PC 860, PC 863, PC 865, PC 852, PC 866, PC 857, WPC1252, Space page, PC 864, ThaiCode11 1Pass, ThaiCode11 3Pass, ThaiCode18 1Pass, ThaiCode18 3Pass, TCVN-3
MSW9-2	Int' Char Set	<b>USA</b>	USA, France, Germany, England, Denmark, Sweden, Italy, Spain, Japan, Norway, Denmark 2, Spain 2, Latin America, Korea, Croatia, China, Vietnam

Switch no.	Function	Initial setting	Setting value
MSW9-4	Multi-byte Char	<b>Invalid</b>	JIS(JPN), SJIS:CP932 (JPN), SJIS:X0213(JPN), GB18030(CHN), KS Hangul(KOR), EUC Hangul(KOR), BIG5(TWN), Invalid
MSW9-6	LCD Language	<b>English</b>	English, Français, Deutsch, Italiano, Español, Japanese, Chinese
MSW9-7	LCD Ext Char	<b>Valid</b>	Invalid, Valid
MSW9-8	LCD Auto Off	<b>Never</b>	Never, 30seconds, 5minutes
MSW10-1	Print Density	<b>100 %</b>	70 %, 75 %, 80 %, 85 %, 90 %, 95 %, 100 %, 105 %, 110 %, 115 %, 120 %, 125 %, 130 %, 135 %, 140 %
MSW10-2	Print Speed	<b>Level 9</b>	Level 1, Level 2, Level 3, Level 4, Level 5, Level 6, Level 7, Level 8, Level 9
MSW10-3	ACK Timing	<b>Before Busy</b>	Before Busy, Same Period, After Busy
MSW10-4	Old command	<b>Invalid</b>	Invalid, CBM1, CBM2
MSW10-5	Buzzer Event	<b>Not by C.Open</b>	All Event/Error, Not by C.Open, Not by C.Open/PE
MSW10-6	Buzzer Sound	<b>Tone 2</b>	Tone 1, Tone 2, Tone 3, Tone 4
MSW10-7	Key Lock	<b>Invalid</b>	Invalid, Valid
MSW10-8	LCD Direction	<b>Normal</b>	Normal, Inverted
MSW13-1	Security/Target	<b>Low/All</b>	Low/All, Mid/All, Mid/Paired only, Hi/All, Hi/Paired only
MSW13-5	BT Device Scan	<b>Discoverable</b>	No Response, Discoverable
MSW13-6	Auto Reconnect	<b>Valid</b>	Invalid, Valid

Notes:

\*1: If print data is very dense, the print head is hot, data transmission is slow, or some other conditions, the motor and printing may occasionally stop which causes white stripes in the printout. To print high-density data, set MSW2-3 (Spool Print) to ON to reduce striping, although this increases the time before printing starts.

For a serial interface, increase the transmission speed to prevent the motor from stopping.

\*2: Label printing

\*3: Black mark model

\*4: The values for memory switches MSW7-X are only effective when DIP switch no. 1 is set to OFF.

# **CITIZEN SYSTEMS JAPAN CO., LTD.**

6-1-12, Tanashi-cho, Nishi-Tokyo-shi Tokyo, 188-8511, Japan

Tel: +81 (0) 42 468 4993 Fax: +81 (0) 42 468 4687

<http://www.citizen-systems.co.jp>

CT-S801H\_UM\_110EN

A10581E-1610

October 2016