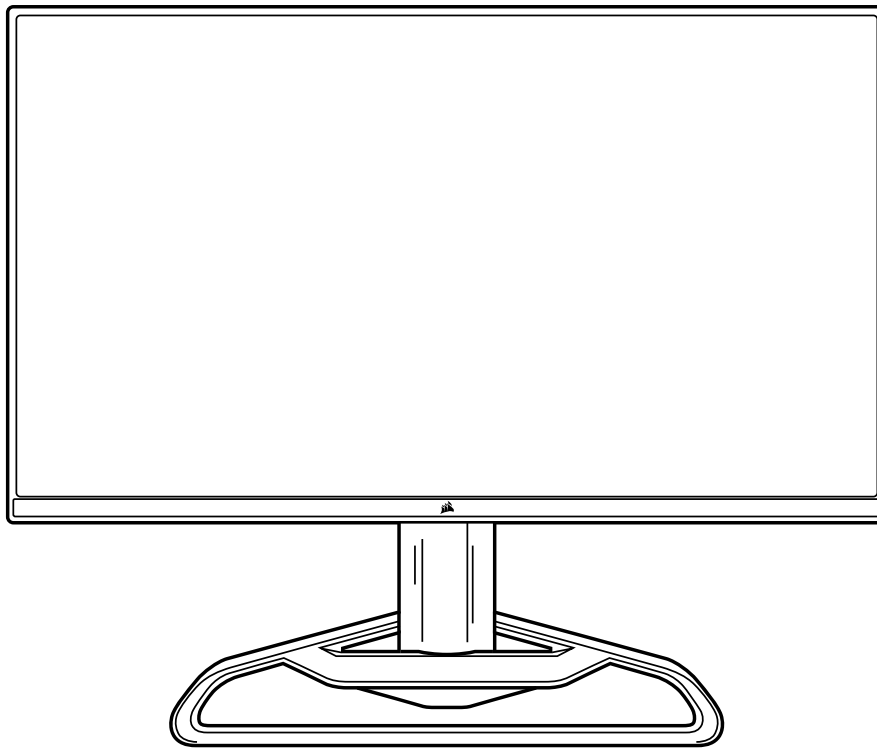




CORSAIR



XENEON 32QHD165

EN ENGLISH

IT ITALIANO

RU РУССКИЙ

FR FRANÇAIS

ES ESPAÑOL

JA 日本語

DE DEUTSCH

PT PORTUGUÊS

KO 한국어

SC 简体中文



TABLE OF CONTENTS

Precautions	2
Package Contents	3
Assembly	4
Tilt, Swivel and Height Adjustment	5
Cable Management, Camera Mount (optional) & Other Mounting options	6
Connectivity	9
Operation	10
Controls	10
On-Screen Display (OSD)	10
OSD – Picture Settings	11
OSD – OSD Setting	13
OSD – System Setting	14
OSD – Audio	16
OSD – Input Select	17
OSD – Information	18
Frequently Asked Questions / Troubleshooting	19
Specifications	22
Technical Specifications	22
Supported Display Modes	23
Default Picture Preset Values	24

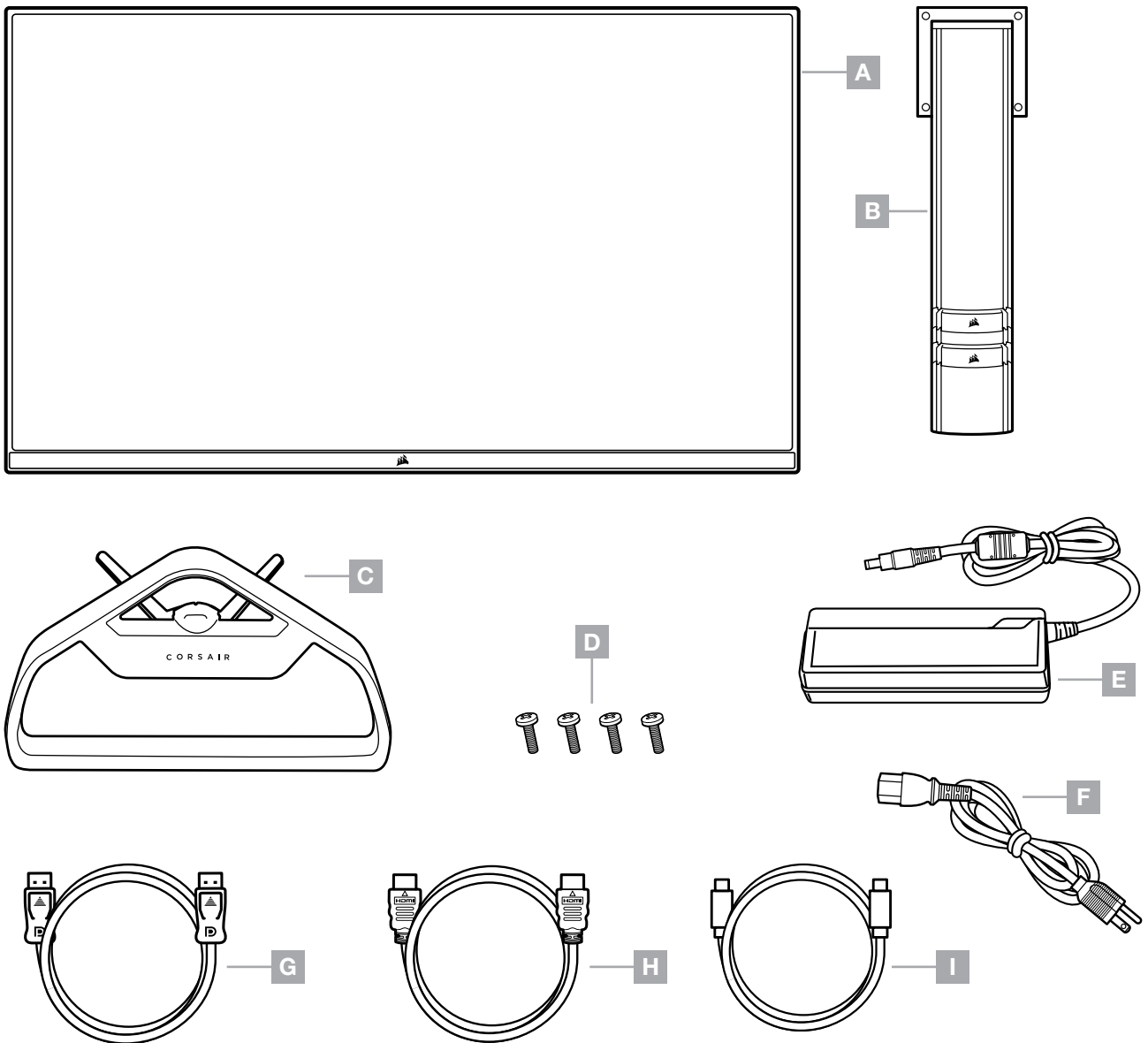


Scan QR code for Quickstart
guide and setup videos

PRECAUTIONS

- Only use the accessories that are provided with the monitor or that which are recommended by the manufacturer.
- Keep the plastic packaging bag for the product in a place that cannot be reached by children.
- Before connecting the monitor to the power outlet, make sure that the voltage rating of the power cable is compatible with the power specification in the country where you are located.
- The power cord plug must be connected to a properly wired and grounded power outlet.
- Do not touch the plug with wet hands, otherwise can easily cause electric shock.
- Place the monitor in a stable and well-ventilated place.
- Do not place the monitor near any heat sources such as electric radiators or direct sunlight.
- The holes or openings on the monitor are for ventilation. Do not cover or block the ventilation holes with any objects.
- Do not use the monitor near water, drinks, or any type of liquids. Failure to do so may result in electric shock or damage to the monitor.
- Make sure to unplug the monitor from the power outlet before cleaning.
- As the screen surface can be easily scratched, avoid touching the surface with any hard or sharp object. Use a soft lint-free cloth instead of a tissue to wipe the screen. You may use a glass cleaner to clean the equipment if required. However, never spray the cleaner directly onto the screen.
- Disconnect the power cable if the equipment is not being used for a long period of time.
- Do not attempt to disassemble or repair the monitor yourself.

XENEON 32QHD165 DISPLAY CONTENTS

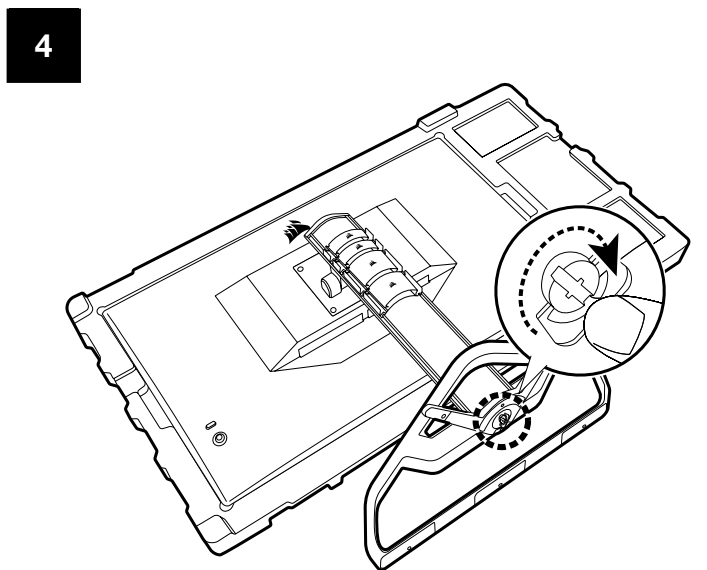
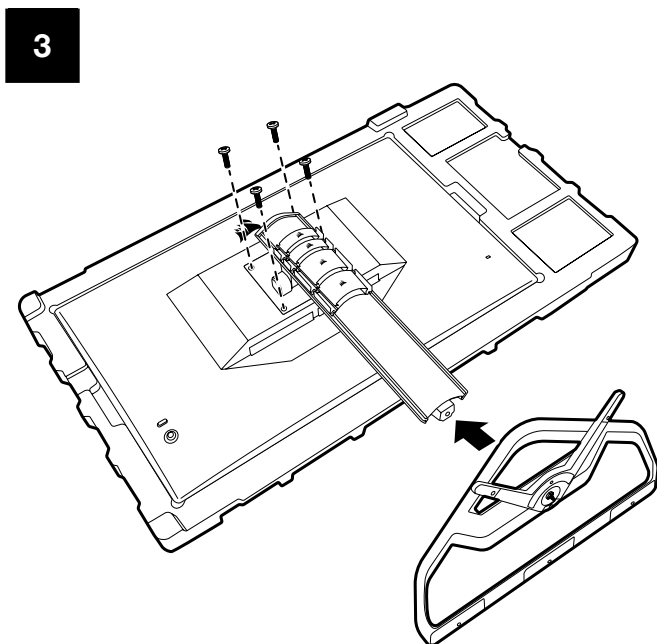
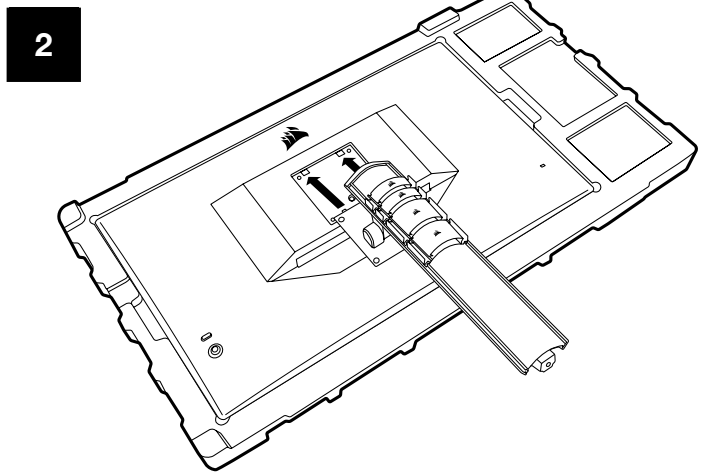
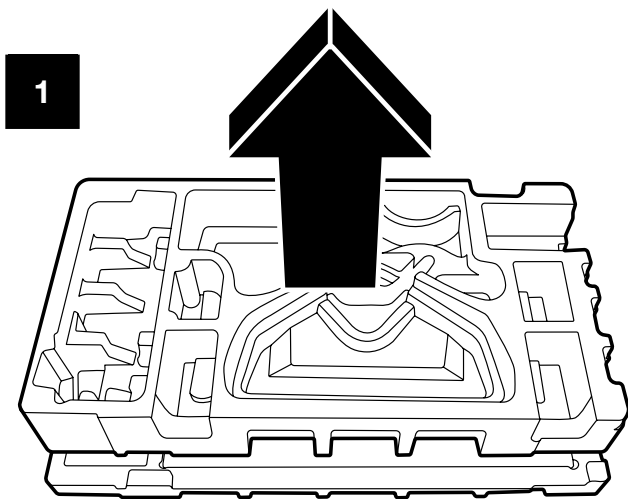


- A** — XENEON 32QHD165 DISPLAY PANEL
- B** — MOUNTING POST
- C** — STAND
- D** — MOUNTING SCREWS (X4)
- E** — AC ADAPTER
- F** — AC POWER CABLE
- G** — DISPLAYPORT CABLE (1.5M)
- H** — HDMI CABLE (1.5M)
- I** — USB-C CABLE (1.5M)

ASSEMBLY

Before you begin, you will need a Phillips head screwdriver.

1. Remove top layer of foam (see image 1) that includes accessories and stand to expose rear of panel.
2. Carefully open up the foam bag covering the panel to expose the mounting area. Do not remove the panel from the bag
3. Align the monitor post with the mounting slots on the back of the panel (see image 2). Slide the upper hooks into the mounting slots on the rear of the panel. Using a Phillips screwdriver, secure the post to the panel with the 4 screws.
4. Attach the stand base to the monitor post (see image 3) and tighten the captive thumbscrew into the bottom of the post (see image 4).
5. Slowly remove the monitor from the packaging and sit upright on your desk. Do not touch the front of the panel while lifting the monitor.



TILT, SWIVEL AND HEIGHT ADJUSTMENT

Your Xeneon display features a sturdy and stylish stand that offers Tilt, Swivel and Height Adjustment

- Tilt -5/+20 degrees
- Swivel \pm 30 degrees
- Height Adjust Range 110mm (497mm ~ 607mm)

Tilt



Swivel & Height Adjustment

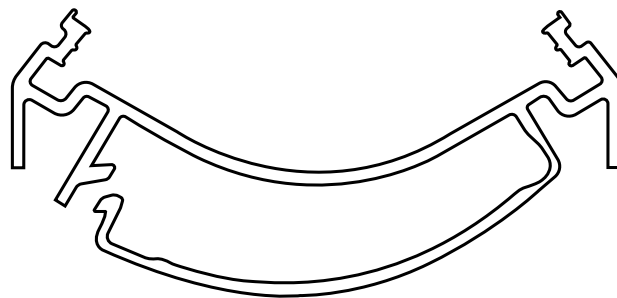


CABLE MANAGEMENT, CAMERA MOUNT (OPTIONAL) & OTHER MOUNTING OPTIONS



Your Xeneon display has built-in RapidRoute cable management to keep your desktop tidy. There are 4 adjustable cable clips that slide up and down the monitor post to allow for customizing your cable management needs. Open each cable clip by pressing the thumb clasp to the left and pulling out on the cable clip.

If you need to remove the cable clips, remove the base from the post by sliding the cable clips down and out of the channel guides.



ELGATO FLEX ARM COMPATIBILITY

The top of the Xeneon display post features a ¼" connector to allow for the addition of the Elgato Flex Arm and Camera Mounting Adapter Kit (sold separately) to attach a camera to the top of your Xeneon display. These accessories are available to be purchased directly from Corsair.

- Xeneon Camera Adapter & Ball Mount Kit (CM-8900001)
- Elgato Flex Arm-S (10AAH9901) or Flex Arm-L (10AAC9901)

Setup video and instructions for Camera Mount is available at <https://www.corsair.com/xeneon-quickstart>



FLEX ARM S



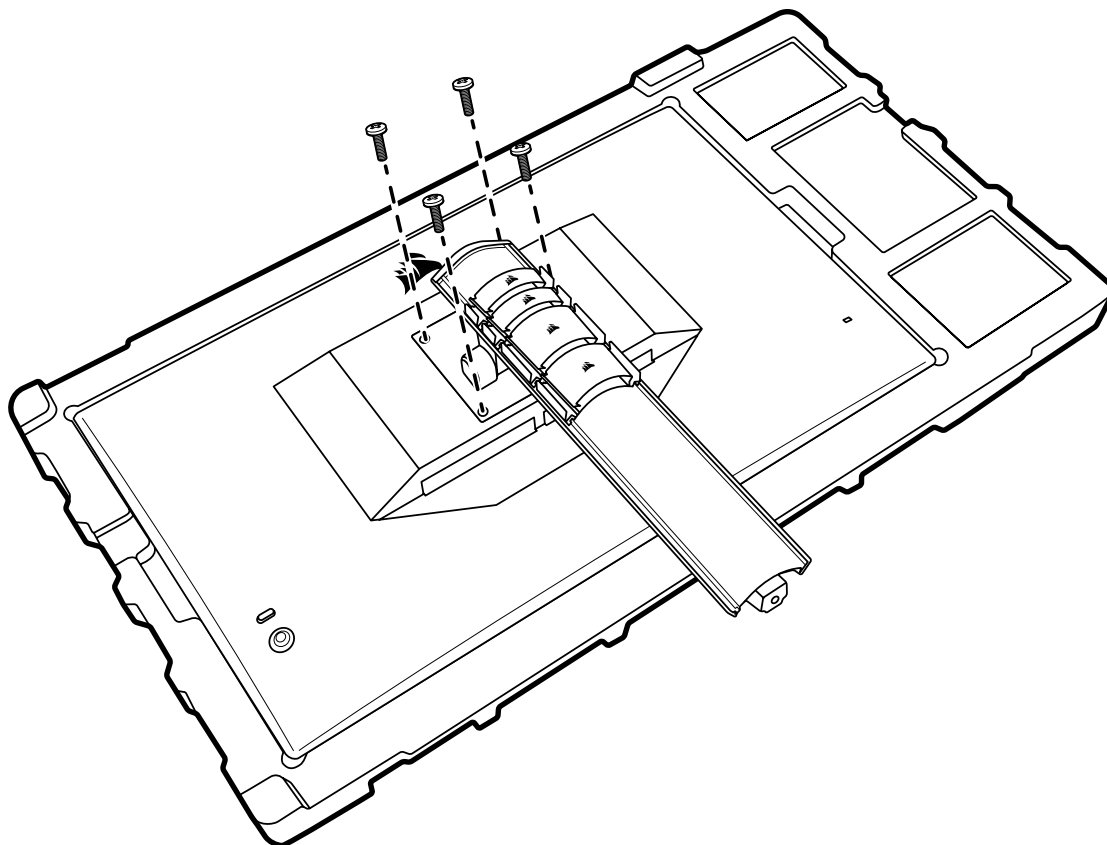
FLEX ARM L



WALL MOUNT COMPATIBILITY

Before mounting your display with compatible wall mount (VESA 100mm x 100mm), make sure that:

- You have removed the stand from the display with a Phillips screwdriver
- The wall mount bracket that you purchased supports the weight of this display

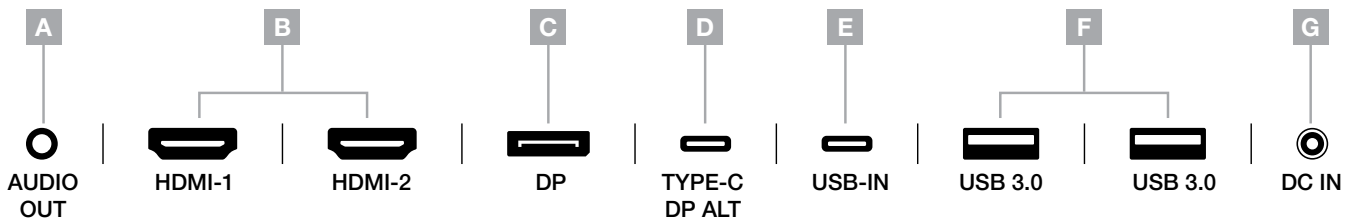


Review the instructions that came with your wall mount for more information about how to correctly mount your display.

WARNING: Your display has four VESA mounting holes on the back. You must secure a wall mount bracket to all four holes. If you do not use all four holes, your display may fall and cause property damage or personal injury.

Note: Wall-mount screws are not included. Screws: type M4, 10mm to 12mm length depending on wall mount

CONNECTIVITY



- A. 3.5mm Audio Jack – Audio output from connected HDMI, DisplayPort, and USB-C Alt Mode devices.
- B. HDMI 2.0 Ports – Dual HDMI inputs correspond to “HDMI-1” and “HDMI-2” inputs.
- C. DisplayPort 1.4 Port – DisplayPort input corresponds to “DisplayPort” input.
- D. USB Type-C Port – Supports DisplayPort Alt Mode and upstream USB input (connects to USB 3.0 ports). Corresponds to “TYPE-C” input. This port or the USB Upstream Port must be connected to a USB-capable port on your host device to support CORSAIR iCUE functionality and downstream USB 3.0 ports.
- E. USB-IN Port – Upstream USB input port. This port or the USB Type-C Port must be connected to a USB-capable port on your host device to support CORSAIR iCUE functionality and downstream USB 3.0 ports.
- F. USB 3.0 Ports – Dual Type-A 5Gbps USB ports.
- G. DC In – Connects to included AC adapter.

OPERATION

Controls

 POWER ON/OFF

 PRESS – Open Display Settings

UP – Open Brightness Slider
DOWN – Open Picture Mode Select
LEFT – Open Volume Slider
RIGHT – Open Input Source Select



Your monitor includes a joystick on the rear, right facing side for opening shortcuts and navigating display settings. Note that many of these settings can also be controlled in CORSAIR iCUE software if you have the USB hub connected to your computer via USB IN port. Please install the latest version of iCUE (4.16 or later) available at <https://www.corsair.com/us/en/icue>.

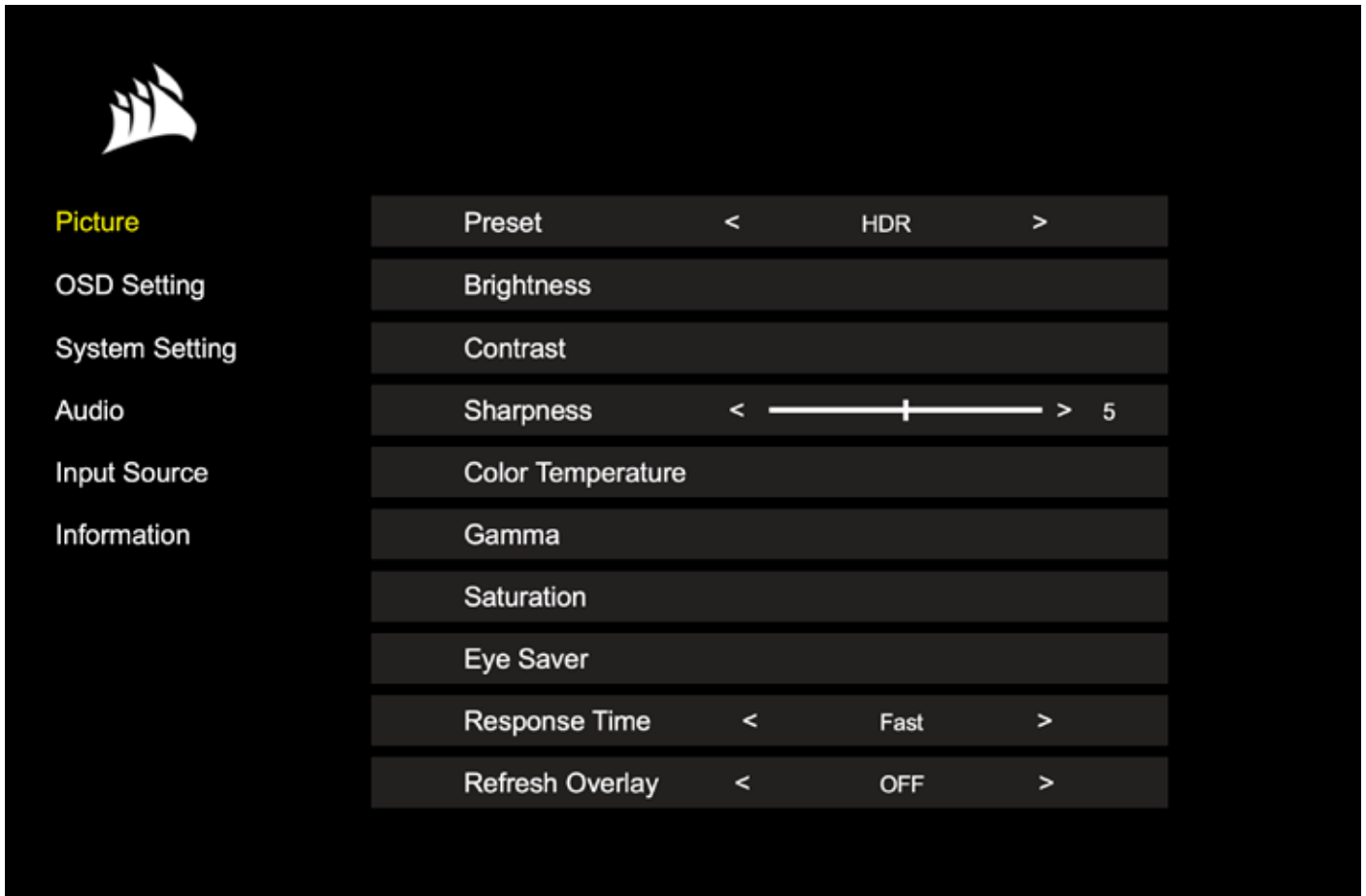
On-Screen Display (OSD)

By pressing the joystick inward, you can access your monitor's display settings. You can use the joystick to navigate the settings and pressing the joystick inward will confirm your selection.

OPERATION

OSD – Picture Settings

The first menu, labeled “Picture”, contains the following settings for adjusting the overall picture quality.



OPERATION

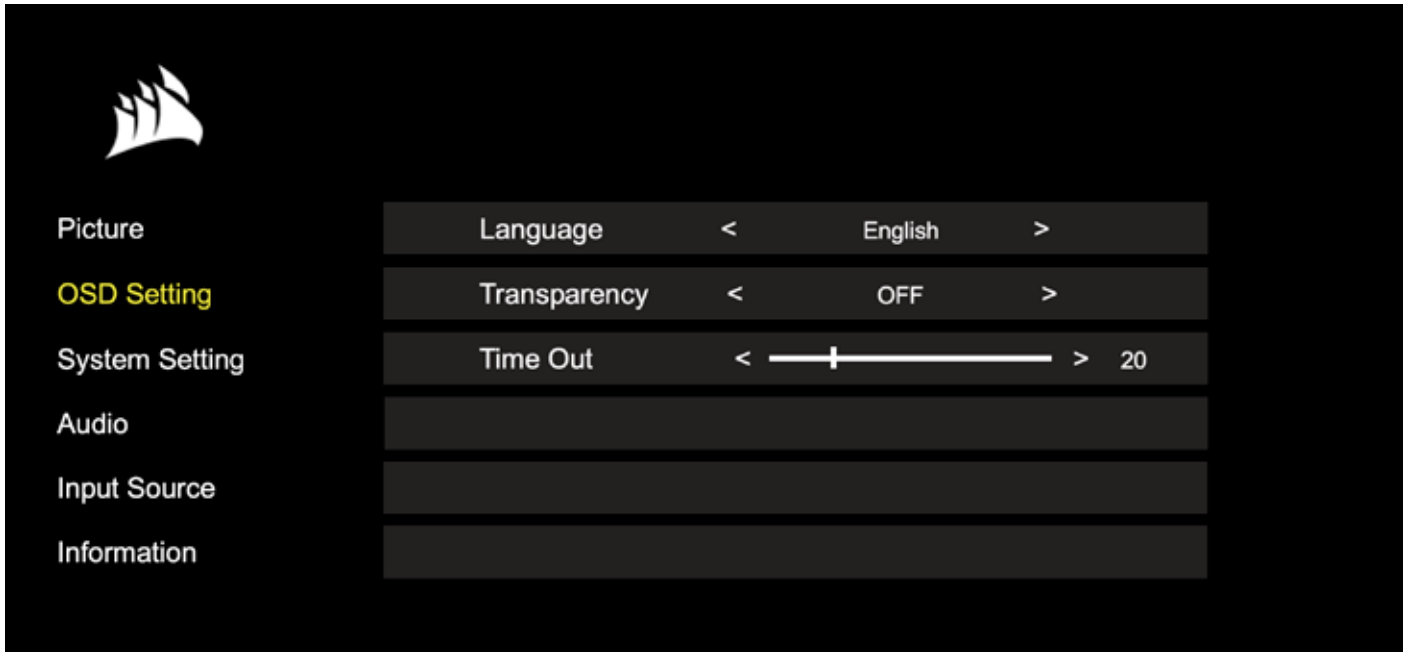
OSD – Picture Settings

Setting	Options	Description
Picture Mode	Standard	Selects a display preset factory calibrated for general use and best power savings.
	Movie	Selects a display preset optimized for watching movies.
	Text	Selects a display preset optimized for reading text.
	sRGB	Selects a display preset factory calibrated to the sRGB color space.
	Creative	Selects a display preset factory calibrated for content creation tasks.
	Game	Selects a display preset optimized for playing fast moving games.
	HDR	Selects a display preset that is VESA DisplayHDR400 certified.
Brightness	0-100	Adjusts the intensity of the display backlight.
Contrast	0-100	Adjusts the display's contrast.
Sharpness	0-5	Adjusts the display's sharpening filter, increasing edge detail.
Color Temperature	Cool	Sets the display's color temperature to 9300K.
	Normal	Sets the display's color temperature to standard 6500K.
	Warm	Sets the display's color temperature to 5000K.
	Custom	Allows you to manually set the display's color temperature with sliders controlling the red, blue, and green levels.
Gamma	2.0, 2.2, 2.4	Adjusts the relationship between color and brightness; default is 2.2.
Saturation	0-10	Adjusts the intensity of the display's colors.
Eye Saver	ON or OFF	Reduces blue light emissions of display when enabled.
Response Time	Normal, Fast, Fastest	Lets you increase how fast pixels can transition between colors, which can reduce blurring of fast moving objects.
Refresh Overlay	ON or OFF	Toggles an overlay in the top right corner which displays the monitor's current refresh rate, useful for tracking frames per second when Adaptive Sync is enabled.
MPRT	ON or OFF	Toggles the "Moving Picture Response Time" setting, which can reduce blurring of moving objects when set to "On."

OPERATION

OSD – OSD SETTING

The second menu, labeled “OSD Setting”, contains the following settings for adjusting the on-screen display.

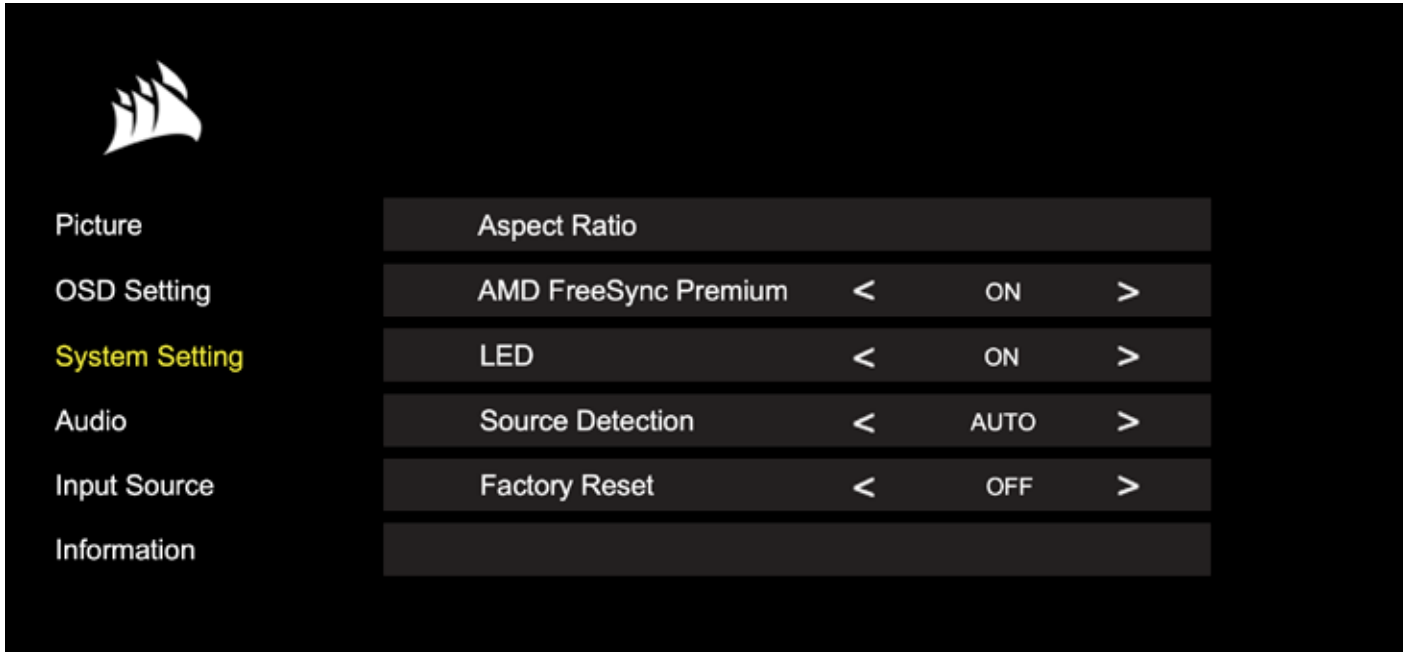


Setting	Options	Description
Language	English French German Italian Spanish Japanese Korean Portuguese Russian Chinese (Traditional)	Selects the OSD's language.
Transparency	ON or OFF	Sets the OSD to be transparent or opaque.
Time Out	10-60	Adjusts how long (in seconds) the OSD stays on screen before disappearing.

OPERATION

OSD – System Setting

The third menu, labeled “System Setting”, contains the following settings for adjusting the display’s internal settings.



OPERATION

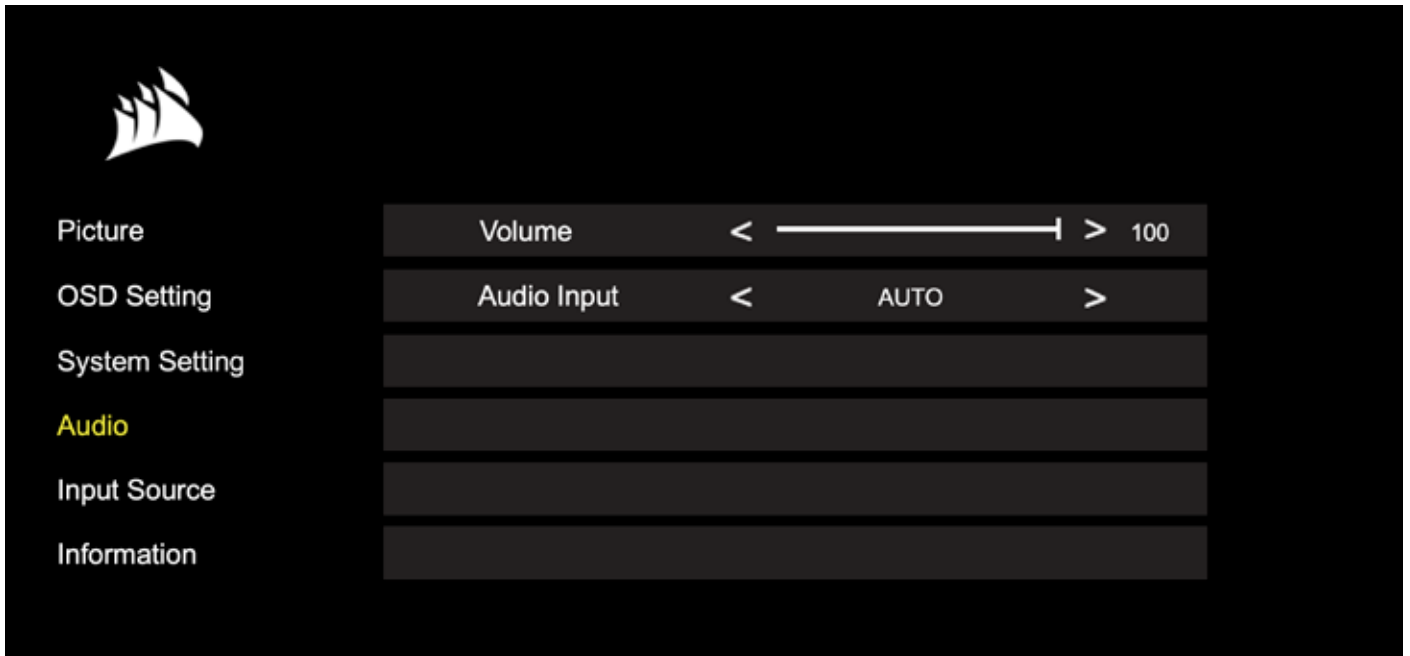
OSD – System Setting

Setting	Options	Description
Aspect Ratio	Auto, 4:3, 16:9	Selects the display's aspect ratio. "Auto" will try to match the display's aspect ratio to the incoming video signal. Not available with Adaptive Sync enabled.
AMD FreeSync Premium	ON or OFF	<p>Enables or disables the adaptive sync functionality when connected to a compatible GPU. Select ON to enable Adaptive Sync for AMD FreeSync via HDMI.</p> <p>NVIDIA G-Sync compatibility is available when connected via DP cable or USB Type-C Alt Mode cable to compatible GPU. For NVIDIA G-Sync functionality:</p> <ul style="list-style-type: none">• Install/Open NVIDIA Control Panel• Select "Set up G-Sync"• Select Enable G-Sync Compatible checkbox• Select the 32QHD165/RDD0013• Select "Enable settings for the selected display model" checkbox. <p>May require a system reboot to access NVIDIA settings.</p>
LED	ON or OFF	Selects front Power LED indicator ON or OFF
Source Detection	AUTO or MANUAL	Determines whether the display will automatically switch to a different input if it detects a signal, or if you will need to manually switch between inputs.
USB-C Alt Mode (only present when display is connected through USB-C video port)	4-lane 2-lane	<p>Toggles the number of USB lanes to use on the USB-C port for video.</p> <ul style="list-style-type: none">• 4-Lane Mode allows up to 2560x1440 @ 165Hz resolution but reduces speed of the USB Type-A ports to USB 2.0• 2-Lane Mode allows for up to 2560x1440 @ 120Hz but enables USB Type-A at USB 3.0 speed
Factory Reset	-	Resets all monitor settings to their factory defaults.

OPERATION

OSD – Audio

The fourth menu, labeled “Audio”, lets you control the display’s audio.

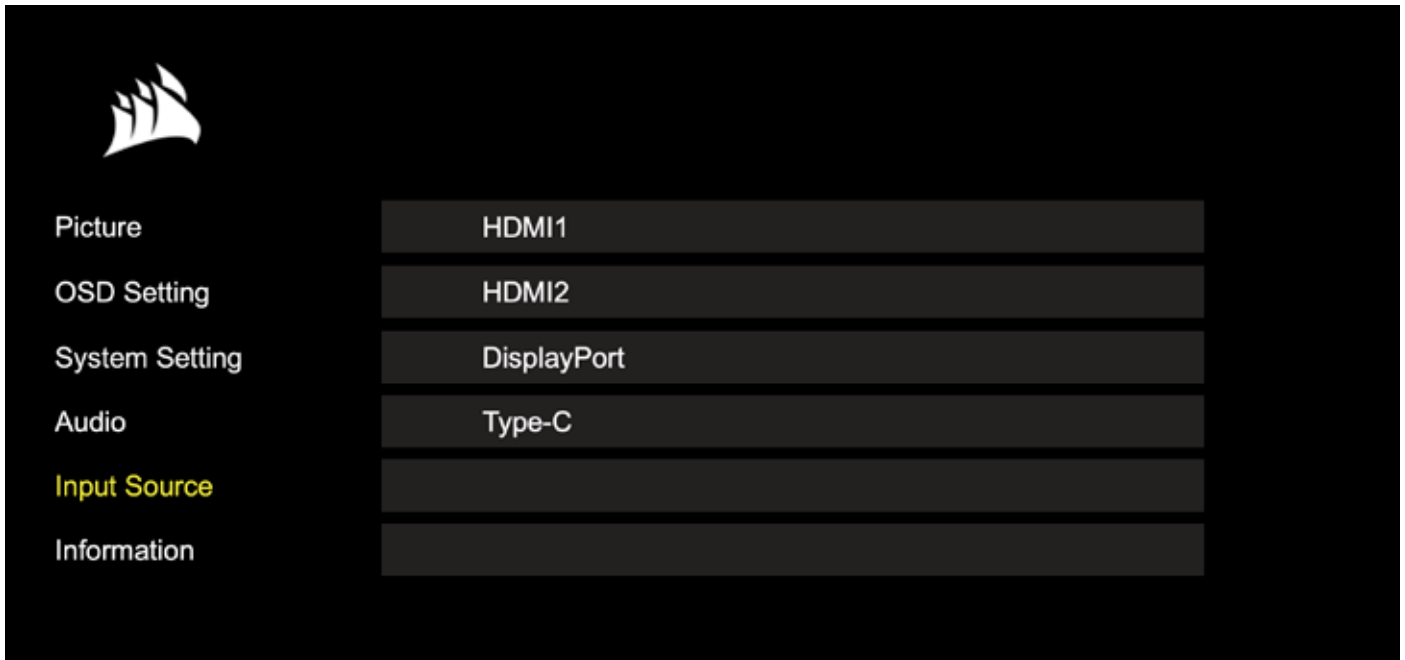


Setting	Options	Description
Volume	0-100	Adjusts the volume of the audio output from the headphone jack.
Audio Input	Auto, HDMI-1, HDMI-2, DisplayPort, USB-C	Selects which input the display passes audio to the headphone jack from. “Auto” will use the current input.

OPERATION

OSD – Input Select

The fifth menu, labeled “Input Select”, lets you switch between the display’s different inputs.

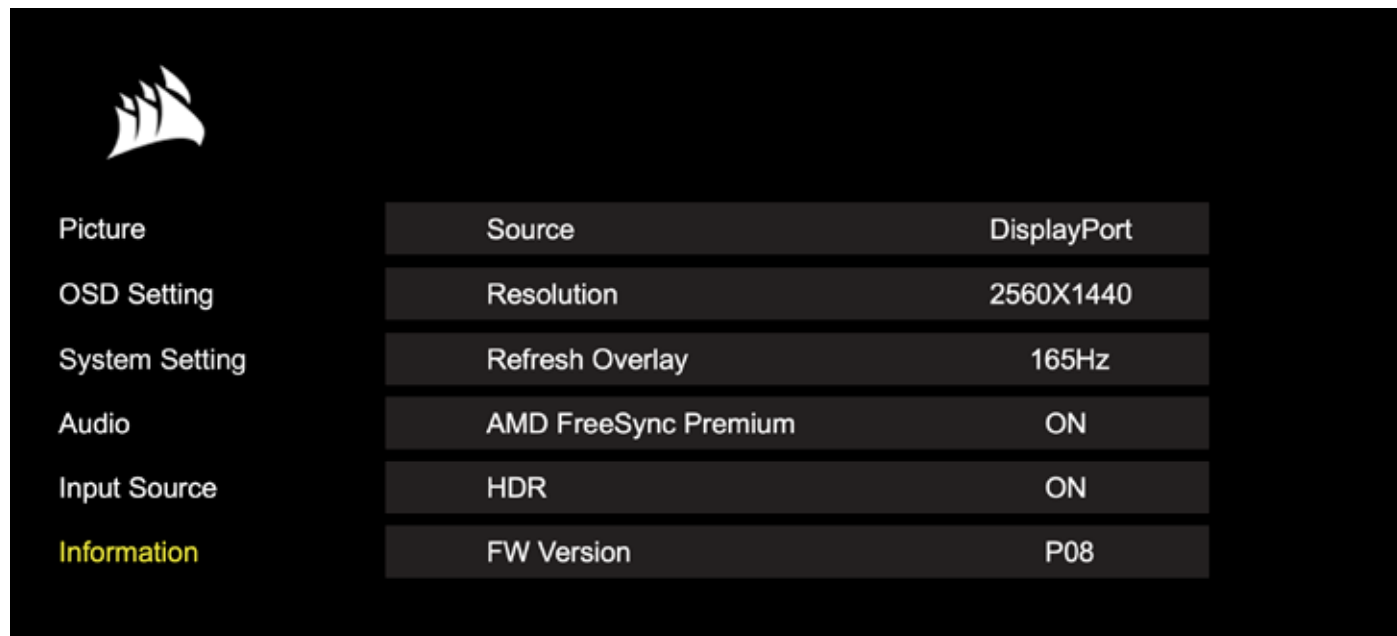


Setting	Description
HDMI-1	Switches to the device connected to the HDMI-1 port.
HDMI-2	Switches to the device connected to the HDMI-2 port.
DisplayPort	Switches to the device connected to the “DP” DisplayPort port.
TYPE-C	Switches to the device connected to the TYPE-C port.

OPERATION

OSD – Information

Provides current settings status for key features.

A screenshot of the OSD Information menu. On the left, there is a list of menu items: Picture, OSD Setting, System Setting, Audio, Input Source, and Information (highlighted in yellow). To the right of this list is a table with three columns: the menu item name, the setting name, and the current value. The table contains the following data:

Picture	Source	DisplayPort
OSD Setting	Resolution	2560X1440
System Setting	Refresh Overlay	165Hz
Audio	AMD FreeSync Premium	ON
Input Source	HDR	ON
Information	FW Version	P08

OPERATION

Frequently Asked Questions / Troubleshooting

Question	Answer
Power LED not on	Press the power button on the back of your monitor to check if it is set to ON.
	Check to see if the power cable is fully plugged into the monitor as well as the power adapter.
	Check Power LED toggle in OSD System Setting Menu is toggled on.
No image on screen	Check to see if your monitor is on.
	Check to see if the video cable is properly connected to the monitor as well as the source device.
	Check the quality of the video cable and ensure that it isn't damaged. Avoid low quality video cables and extensions.
	Check which video source input your monitor is set to (if the Auto Source feature is disabled in OSD).
	Connect another source device to test monitor video input.
	Connect the source device to another available monitor to test video output.
	Avoid hot-plugging the monitor. Have the monitor connected to the source prior to powering up the source device.
Image too light/dark	Adjust the brightness/gamma/contrast settings via the OSD.
	Reset the monitor to factory settings.
Video signal not supported	Check the video output settings of the source device. Supported input resolutions for the CORSAIR XENEON 32QHD165 Gaming Monitor are located on page 22 .

OPERATION

Frequently Asked Questions / Troubleshooting

Question	Answer
Does the CORSAIR XENEON 32QHD165 support video over USB-C?	Yes, the CORSAIR XENEON 32QHD165 supports DisplayPort over USB-C through the dedicated TYPE-C DP ALT input. Use the included 1.5m Type-C cable or a quality USB Type-C cable that supports USB 3.2 Gen 2 for best results.
I'm unable to use devices connected to the USB-A ports on my monitor when connected to my device that supports USB-C Alt Mode using a single USB-C cable.	USB-C Alt Mode, by default will operate in "4 lane" mode which allows for full DisplayPort resolution over USB-C, however this disables the use of the USB Type-A ports. To re-enable the USB Type-A ports when connected solely via the TYPE-C DP ALT input, switch to "2 lane" mode which will limit the supported video output resolution in order to re-enable the USB Type-A ports for peripherals connected to the monitor's USB Type-A ports. Alternatively, you may connect the source device to the USB downstream port as well as the TYPE-C DP ALT port for full video resolution and USB port functionality. Ensure that you're using a quality USB Type-C cable that supports USB 3.2 Gen 2 for best results.
Image is stretched/squished	Check the "Aspect Ratio" setting under "System Setting". By default this is set to "Auto", however in certain instances, you may need to manually set an aspect ratio (ex: certain combinations of adapters and retro game consoles).
Image has color issues	Check the quality of the video cable and ensure that it isn't damaged. Avoid low quality video cables and extensions.
	Reset the monitor to factory settings.
	Adjust the picture settings via OSD.
Artifacts in onscreen image	Check the quality of the video cable and ensure that it isn't damaged.
	Check your source device, a faulty graphics card or game console may require contacting the manufacturer for assistance.
Monitor has a dead pixel	CORSAIR provides a "Zero Dead Pixel" policy for monitor products, if 1 or more bright pixels or 6 or more dark subpixels are found, the monitor will be exchanged during the 3-year warranty period.
What kind of VESA mount is compatible?	CORSAIR XENEON 32QHD165 supports a standard 100mm x 100mm mount, the monitor head must be removed from the stand. Use the mounting screws supplied with your VESA mount.

OPERATION

Frequently Asked Questions / Troubleshooting

Question	Answer
Can I mount a webcam or DSLR/mirrorless camera?	CORSAIR XENEON 32QHD165 supports standard webcams that sit on the top bezel of the display as well as larger DSLR/mirrorless cameras when used with the Elgato Multi-Mount Adapter Kit for XENEON and Elgato Flex Arm L/S kit (Both adapter kit and Flex Arm kits sold separately)
My CORSAIR XENEON monitor isn't detected by CORSAIR iCUE	Check to ensure that your PC has the latest version of CORSAIR iCUE installed. The CORSAIR XENEON 32QHD165 is supported in iCUE version 4.15 or newer.
	Check to ensure that the cable connected to the USB-C upstream on the monitor and your PC's USB 3.0 port is properly connected. Avoid connecting the monitor through a USB hub or extension if possible. We strongly recommend using the USB-C cable provided with the CORSAIR XENEON monitor for best results.
What adaptive refresh rate options are available to CORSAIR XENEON?	The CORSAIR XENEON 32QHD165 is certified for AMD FreeSync Premium and is also NVIDIA G-SYNC compatible.
AMD FreeSync / G-SYNC aren't enabled.	Check that AMD FreeSync is enabled via OSD.
	Check your graphics card settings and ensure that AMD FreeSync / NVIDIA G-SYNC are enabled. AMD FreeSync functions over any of the video ports. NVIDIA G-Sync compatibility only works over DP or USB Type-C Alt-Mode DP
I'm not getting the monitor's rated 165Hz refresh rate.	Check your graphics card/system display settings and ensure that 165Hz refresh rate has been enabled. See Supported Display Mode table in Appendix for available options.
	Check the quality of the video cable and ensure that it isn't damaged. Avoid low quality video cables and extensions.

APPENDIX

Technical Specifications

Product Name	XENEON 32QHD165
Part Number	CM-9020001
Device	32QHD165 / RDD0013
USB Hub ID	CORSAIR USB 3.0 Hub
Panel Size	32" Diagonal
Display Surface	Non-Glare
Pixels per inch	91.8
Aspect Ratio	16:9
Native Resolution	2560 x 1440 @ 165Hz
Response Time (MPRT)	1ms
Response Time (GtG)	<3ms
Display Colors	16.7M (8-bit RGB)
Panel Technology	IPS with Quantum Dot Technology
Flicker Free	Yes
Viewing Angles	178° (H) / 178° (V)
Peak Brightness	400 nit (SDR) / 440 nit (HDR)
Static Contrast Ratio	1000:1
HDR Certification	VESA DisplayHDR 400
Color Gamut (CIE 1976)	98% (DCI-P3), 100% (AdobeRGB), 100% (sRGB)
Variable Refresh Rate	AMD FreeSync Premium Certified, NVIDIA G-Sync compatible
HDMI Input	2x HDMI 2.0
DisplayPort Input	1x DisplayPort 1.4
USB-C Input	1x DisplayPort 1.4 (USB-C Alt Mode), 15W Power Delivery, USB 5Gbps Data Upstream
USB-C Upstream Input	1x 5Gbps USB-C
USB-A Output	2x 5Gbps Type-A USB (5V/0.9A *2)
3.5mm Audio	Yes, passthrough from video input

APPENDIX

Technical Specifications

Power Consumption (On)	68W
Power Consumption (Sleep)	<0.5W
Power Consumption (Off)	<0.3W
VESA Compatibility	100mm x 100mm
Dimensions	732mm x 607mm x 316mm (W x H x D)
Weight	9.5kg
Stand Tilt	-5° / +20°
Stand Swivel	-30° / +30°
Stand Height Adjustment Range	110mm
AC Adapter	90W
	Note: your device uses the following power supply: Asian Power Devices Inc. / DA-90J19

Supported Display Modes

Resolution	Refresh Rate
640x480	60, 67, 72, 75Hz
800x600	56, 60, 72, 75Hz
1024x768	60, 70, 75Hz
1280x1024	60, 75Hz
1440x900	60Hz
1680x1050	60Hz
1920x1080	30, 50, 60, 100, 120Hz
2560x1440	30*, 60, 120, 144*, 165Hz**
3840x2160***	30, 60Hz

*HDMI only.

**DisplayPort/USB-C Alt Mode (4-lane) only.

***Image is downscaled to native resolution.

APPENDIX

Default Picture Preset Values

Setting	Standard	Movie	Game	Text	Creative	sRGB	HDR
Brightness	Varies by Region*	100	100	30	100	27	100
Contrast	50	50	50	50	50	50	50
Sharpness	5	7	6	5	5	5	5
Color Temp	Normal	Normal	Normal	Warm	Normal	sRGB	Normal
Gamma	2.2	2.2	2.2	2.2	2.2	sRGB	2.2
Saturation	0	2	1	0	0	0	0
Low Blue Light	Off	Off	Off	Off	Off	Off	Off
Response Time	Fast	Fast	Fast	Normal	Normal	Normal	Fast
MPRT	Off	Off	Off	Off	Off	Off	Off

* Default brightness will vary by region

- North America = 40
- Europe = 30
- UK = 30
- Asia = 60

HDMI Legal Disclosure



HDMI

The adopted trademarks HDMI, HDMI High-Definition Multimedia Interface, and the HDMI logo are trademarks or registered trademarks of HDMI Licensing Administrator, Inc. in the United States and other countries.

The terms HDMI, HDMI High-Definition Multimedia Interface, and the HDMI logo are trademarks or registered trademarks of HDMI Licensing Administrator, Inc.



Web: corsair.com
Phone: (888) 222-4346
Warranty: corsair.com/support/warranty

Support: support.corsair.com
Blog: corsair.com/blog
Forum: forum.corsair.com
YouTube: youtube.com/corsairhowto

© 2021 CORSAIR MEMORY, Inc. All rights reserved. CORSAIR and the sails logo are registered trademarks of CORSAIR in the United States and/or other countries. All other trademarks are the property of their respective owners. Product may vary slightly from those pictured.
49-002525 AA

