

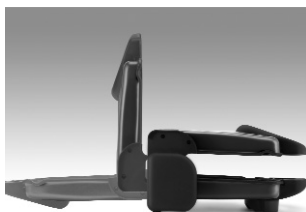


De'Longhi Appliances  
via Seitz, 47  
31100 Treviso Italia



**GRIGLIA A CONTATTO**  
**CONTACT-GRILL**  
**GRILL A CONTACT**  
**TISCHGRILL**  
**KONTAKGRILL**  
**PARILLA A CONTACTO**  
**GREHLA DE CONTACTO**  
**ТОСТІЕРА**  
**ГРИЛЬ**  
**KONTAKTRENSZERŰ GRILLSŰTŐ**

**Istruzioni per l'uso**  
**Instructions for use**  
**Mode d'emploi**  
**Bedienungsanleitung**  
**Gebruiksaanwijzingen**  
**Instrucciones para el uso**  
**Instruções de utilização**  
**Οδηγίες χρήσης**  
**Инструкции по эксплуатации**  
**Használati utasítás**



**KONTAKTNÍ GRIL**  
**KONTAKTN GRIL**  
**ОПІЕКАЧ**  
**KONTAKTGRILL**  
**KONTAKTGRILL**  
**KONTAKGRILL**  
**MONITOIMIPARILA**  
**ROŠTILJ SA KONTAKTOM**  
**KONTAKTNI ŽAR**  
**KONTAKTHA SKAPA**  
**GRĂȚAR CU CONTACT**  
**شواية بالتلامس**

**Návod k použití**  
**Návod na použitie**  
**Instrukcja obsługi**  
**Bruksanvisning**  
**Bruksanvisning**  
**Vejledning til brug**  
**Käyttöohjeet**  
**Upute za uporabu**  
**Navodila za uporabo**  
**Указания за употреба**  
**Instrucțiuni de folosire**  
**تعليمات الاستخدام**

## ELECTRICAL CONNECTION (UK ONLY)

- A) If your appliance comes fitted with a plug, it will incorporate a 13 Amp fuse. If it does not fit your socket, the plug should be cut off from the mains lead, and an appropriate plug fitted, as below.

**WARNING:** Very carefully dispose of the cut off plug after removing the fuse: do not insert in a 13 Amp socket elsewhere in the house as this could cause a shock hazard.

With alternative plugs not incorporating a fuse, the circuit

must be protected by a 15 Amp fuse.

If the plug is a moulded-on type, the fuse cover must be re-fitted when changing the fuse using a 13 Amp Asta approved fuse to BS 1362. In the event of losing the fuse cover, the plug must NOT be used until a replacement fuse cover can be obtained from your nearest electrical dealer. The colour of the correct replacement fuse cover is that as marked on the base of the plug.

- B) If your appliance is not fitted with a plug, please follow the instructions provided below:

**WARNING - THIS APPLIANCE MUST BE EARTHED**


**IMPORTANT**

The wires in the mains lead are coloured in accordance with the following code:

Green and yellow:	Earth
Blue:	Neutral
Brown:	Live

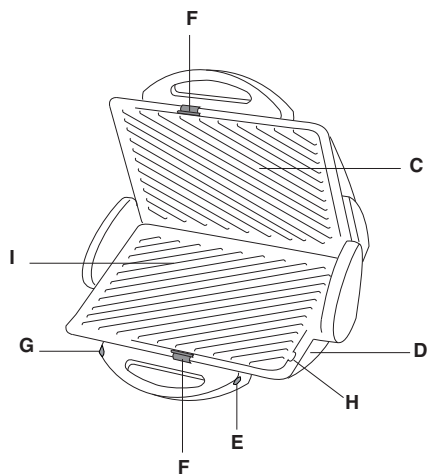
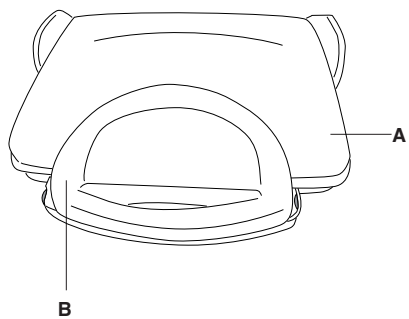


As the colours of the wires in the mains lead may not correspond with the coloured markings identifying the terminals in your plug, proceed as follows:

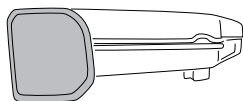
The green and yellow wire must be connected to the terminal in the plug marked with the letter E or the earth symbol  or coloured green or green and yellow.

The blue wire must be connected to the terminal marked with the letter N or coloured black.

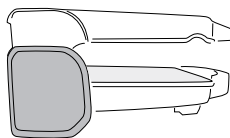
The brown wire must be connected to the terminal marked with the letter L or coloured red.



**POS. 1**



**POS. 2**



**POS. 3**

