



---

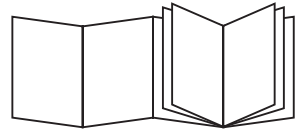
ECP35.31- 33.21- 31.21

COFFEE MAKER  
Instruction for Use

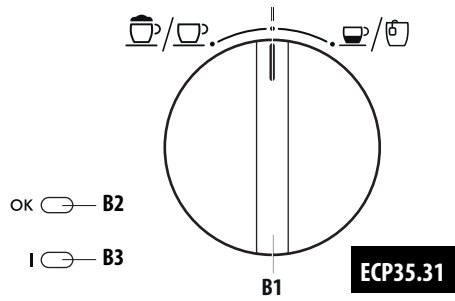


---

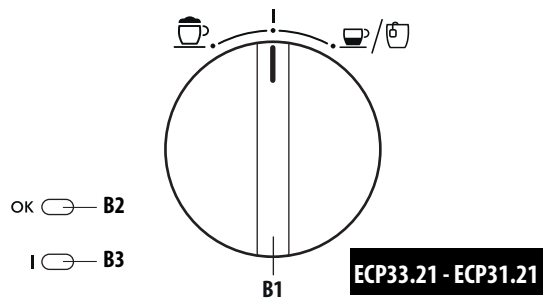
**DeLonghi**



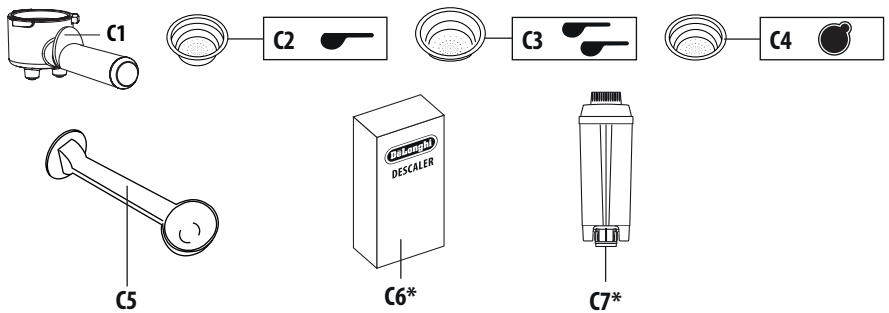
**B**



**B**



**C**



**A**

