

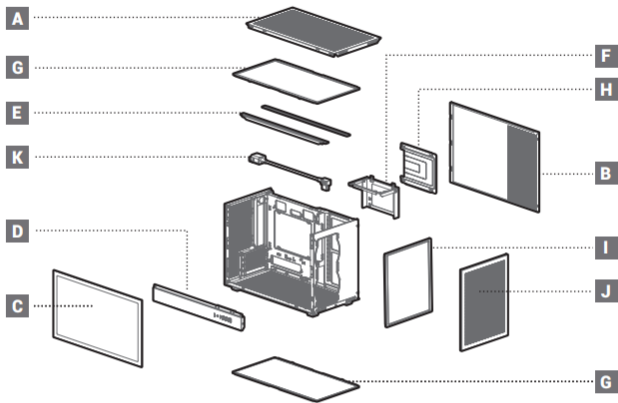


Questo manuale d'istruzione è fornito da trovaprezzi.it. Scopri tutte le offerte per [Deepcool CH260 Wood](#) o cerca il tuo prodotto tra le [migliori offerte di Case e Alimentatori](#)

CH260 Series

High Airflow M-ATX Compact Case

Case Features



Case Specifications

Length: 438mm

Width: 225mm

Height: 312.5mm

Maximum GPU length: 388/413mm(No Front fans)

Maximum PSU length: 150mm

Maximum CPU cooler height: 174mm

Radiator Compatibility:

Front: NA

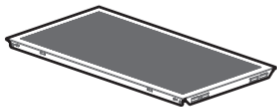
Top:120/140/240/280/360mm

Bottom:NA

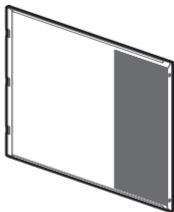
Rear:120mm

Fan locations:

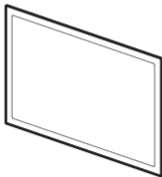
Front: 2x120mm Top:3x120 / 2x140mm Rear:1x120mm

A

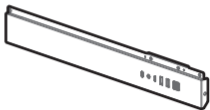
Top Module

x1**B**

Right Side Panel

x1**C**

Tempered Glass Side Panel

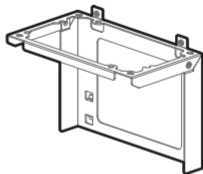
x1**D**

Bezel For IO

x1

E

Fan Bracket

x2**F**

PSU bracket

x1**G**

Dust Proof Net A

x2**H**

HDD mount

x1

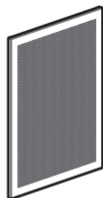


Dust Proof Net B

I

x1

J



Front Module

x4

K



PSU Cable

x1

Accessory Kit Contents

L

PSU Screws

x6**M**

Motherboard Screws

x15**N**

HDD Screws

x9**O**

Fan Screws

x12**P**

Sunk Screws

x4**Q**

Cable Ties

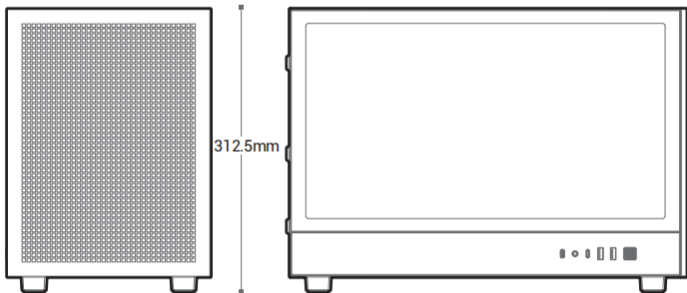
x11

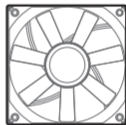
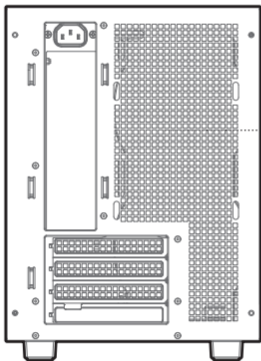
Specifications

225mm

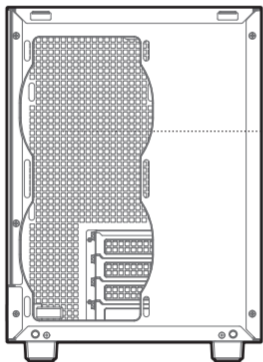
438mm

312.5mm

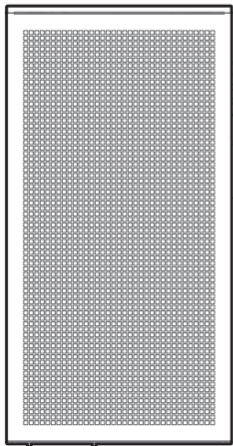




120mm×1

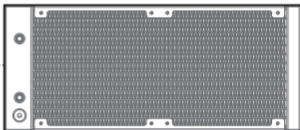


120mm×2



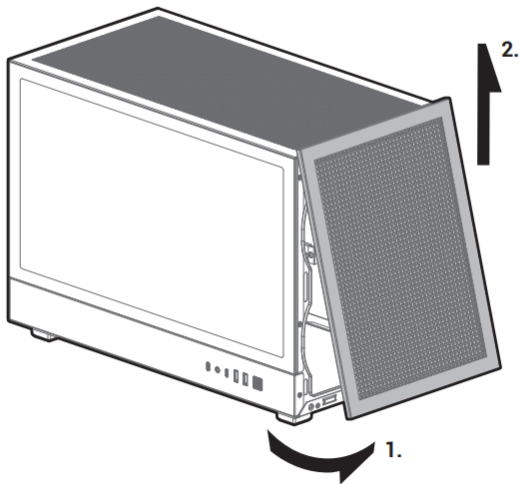
120mm×3

140mm×2

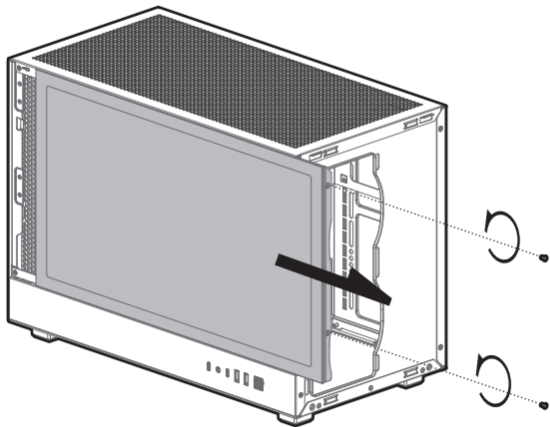


120/140/240/280/360mm

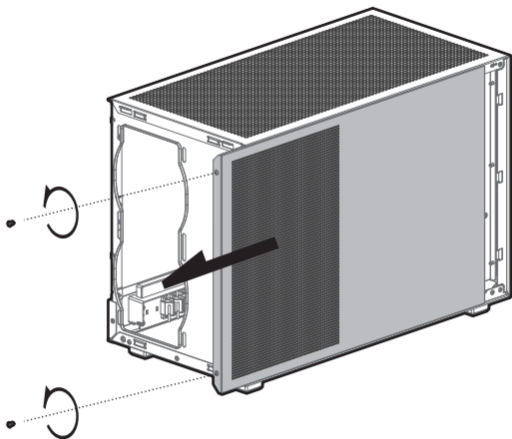
Removing the Top Module



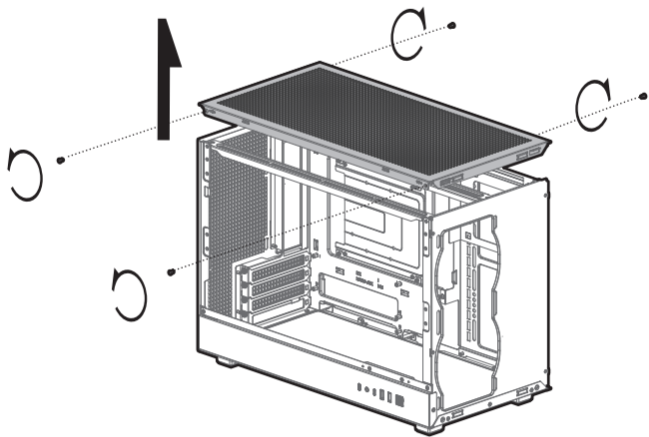
Removing the Glass Panel



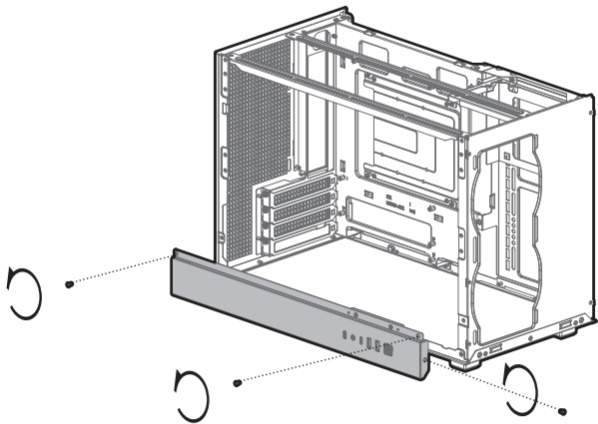
Removing the Mesh Side Panel



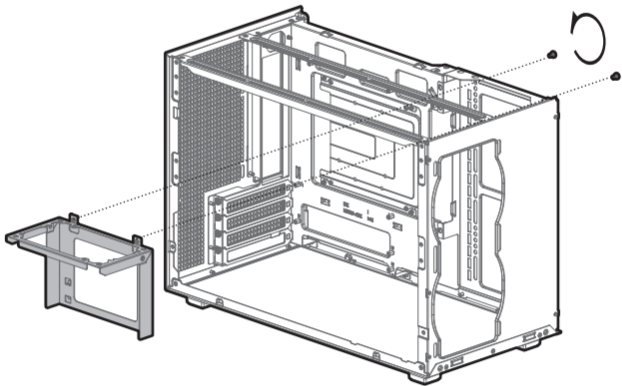
Removing the Top Panel

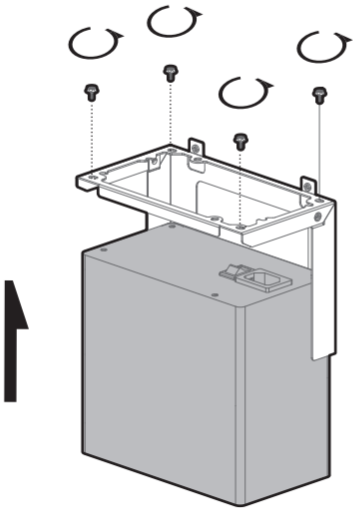


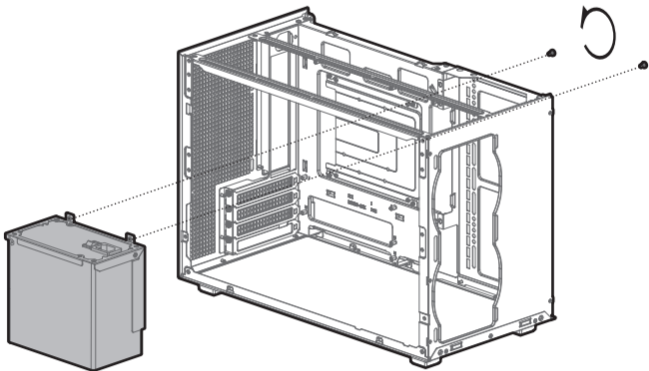
Removing the IO Panel



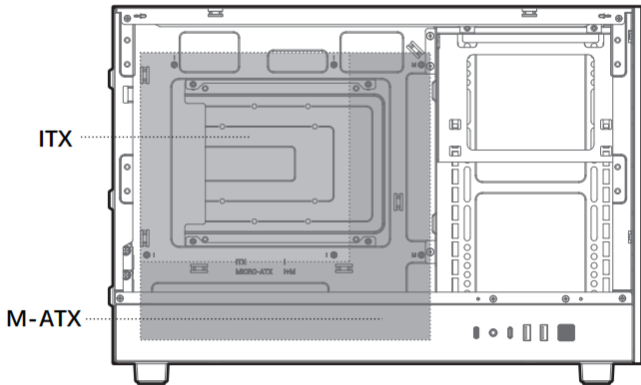
Installing the PSU





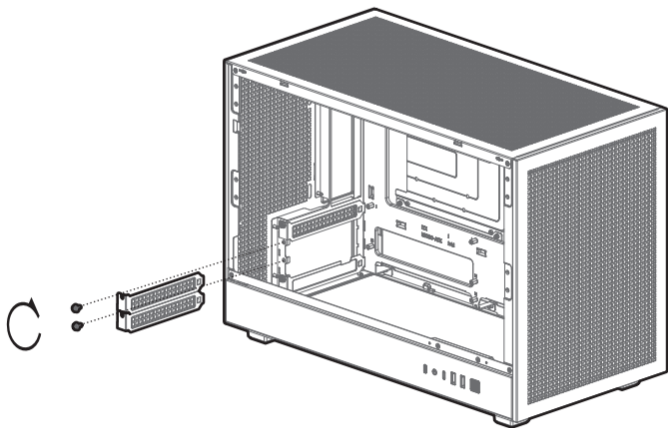


Installing the Motherboard

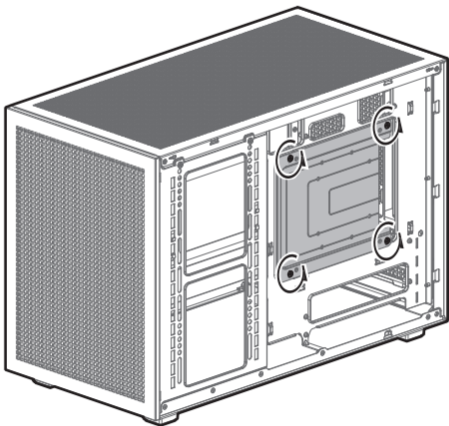


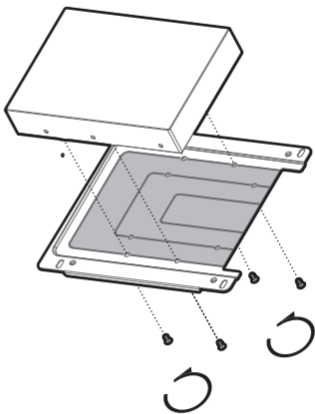
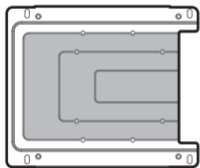
Rear Connector Motherboards: M-ATX

Installing the GPU

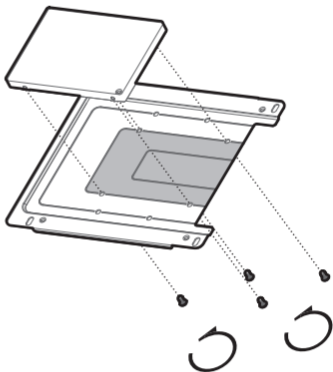
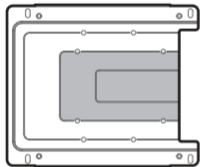


Installing HDD

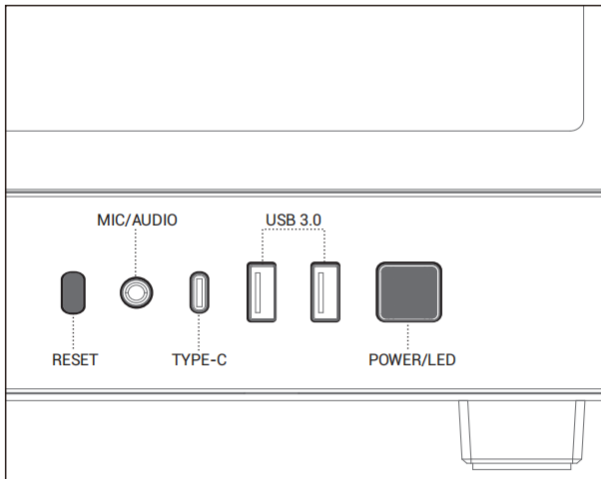




Installing SSD

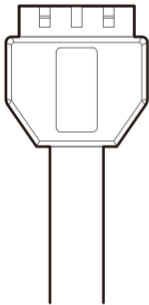


I/O Panel Introduction



Installing the Front I/O Connectors

USB3.0



TYPE-C



MIC/AUDIO



F_PANEL



部件名称	有毒有害物质或元素					
	铅 (Pb)	汞 (Hg)	镉 (Cd)	六价铬 (Cr+6)	多溴联苯 (PBB)	多溴二苯醚 (PBDE)
机壳	○	○	○	○	○	○
塑胶	○	○	○	○	○	○
螺丝	○	○	○	○	○	○
集成电路	○	○	○	○	○	○
零件包	○	○	○	○	○	○

本表格依据SJ/T 11364的规定编制。

环保使用期限标识表示产品在正常工作温度和湿度等条件下的环保使用年限为10年。

○：表示该有害物质在该部件所有均质材料中的含量均在GB/T 26572规定的限量要求以下。

×：表示该有害物质至少在该部件的某一均质材料中的含量超出GB/T 26572规定的限量要求，且因技术发展水平限制而无成熟方案替代，均符合欧盟RoHS法规环保指令。



