

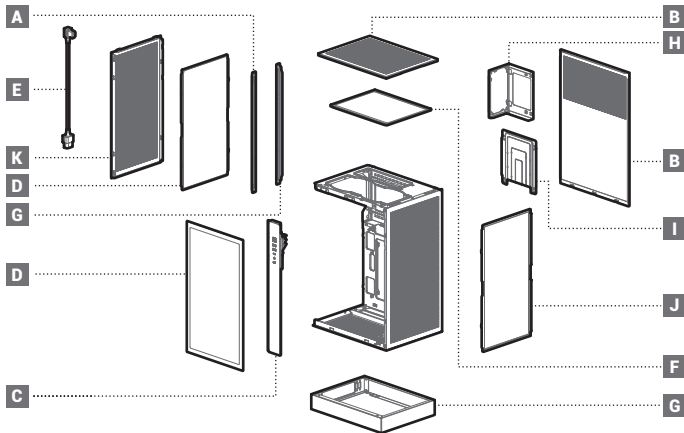


Questo manuale d'istruzione è fornito da trovaprezzi.it. Scopri tutte le offerte per [Deepcool CH270 Digital Nero](#) o cerca il tuo prodotto tra le [migliori offerte di Case e Alimentatori](#)

CH270 DIGITAL

High Airflow Vertical M-ATX Compact Case with Data Screen

Case Features



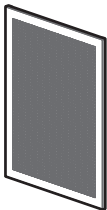
Case Specifications

Length: 296mm
Width: 225mm
Height: 486mm

Maximum GPU length: 388/413mm(No Top fans)
Maximum PSU length: 150mm
Maximum CPU cooler height: 174mm

Radiator Compatibility:
Front: NA
Side:120/140/240/280/360mm
Bottom:120mm
Rear:NA

Fan locations:
Top:2×120mm Side:3×120mm/2×140mm Bottom:1×120mm

A

Top Module

x1**B**

Right Side Panel

x1**C**

Tempered Glass Side Panel

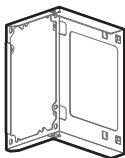
x1**D**

Bezel For IO

x1

E

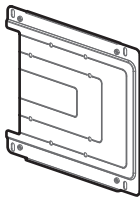
Fan Bracket

x2**F**

PSU bracket

x1**G**

Dust Proof Net A

x2**H**

HDD mount

x1

I

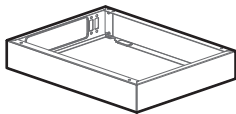
Dust Proof Net B

x1**J**

Rear Module

x1**K**

PSU Cable

x1**L**

Digital Verical Base

x1

Accessory Kit Contents

M

PSU Screws

x6**N**

Motherboard Screws

x15**O**

HDD Screws

x9**P**

Fan Screws

x12**Q**

Sunk Screws

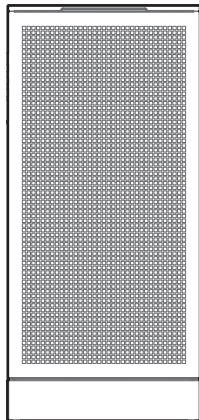
x4**R**

Cable Ties

x11

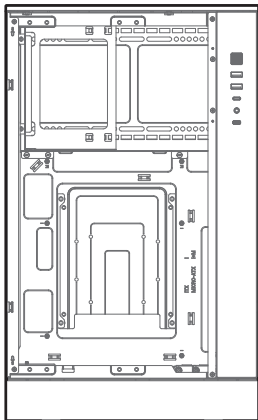
Specifications

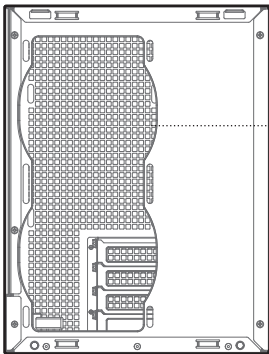
225mm



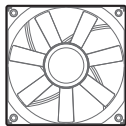
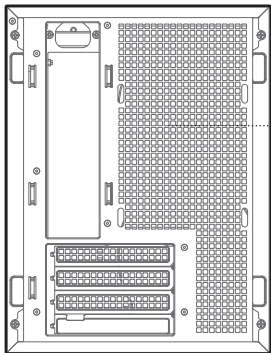
486mm

296mm

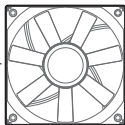
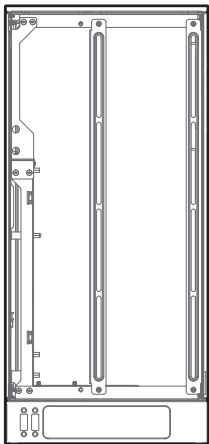




120mm×2

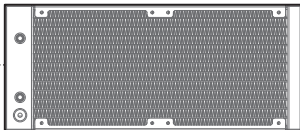


120mm×1



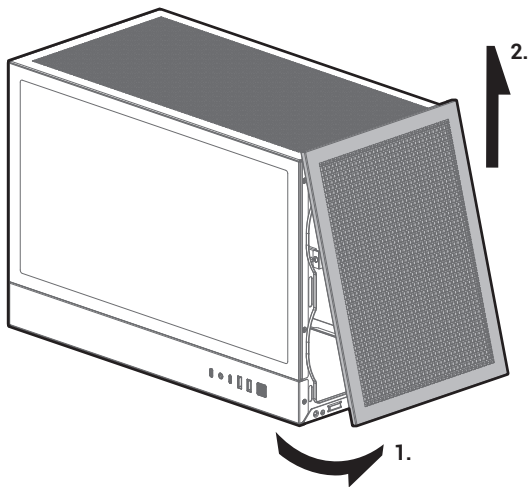
120mm×3

140mm×2

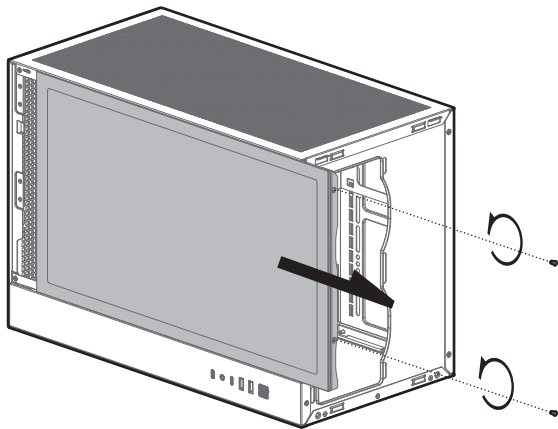


120/140/240/280/360mm

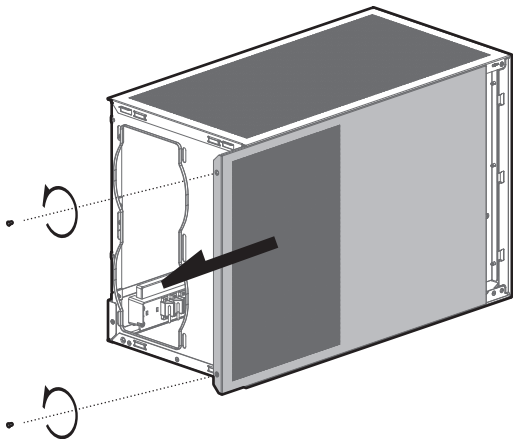
Removing the Top Module



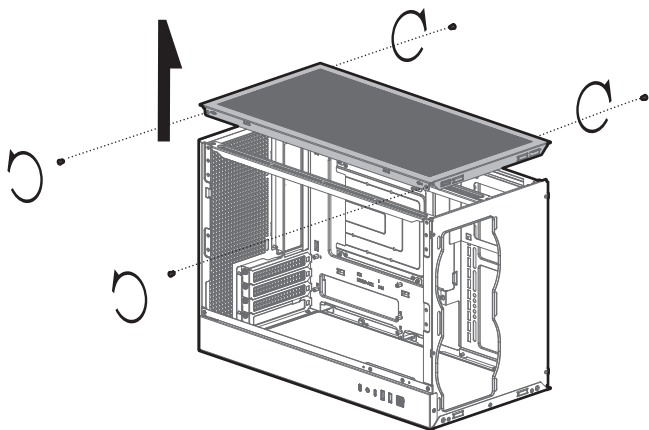
Removing the Glass Panel



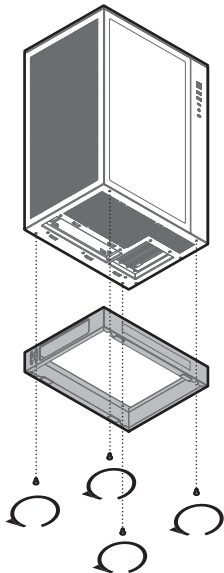
Removing the Mesh Side Panel



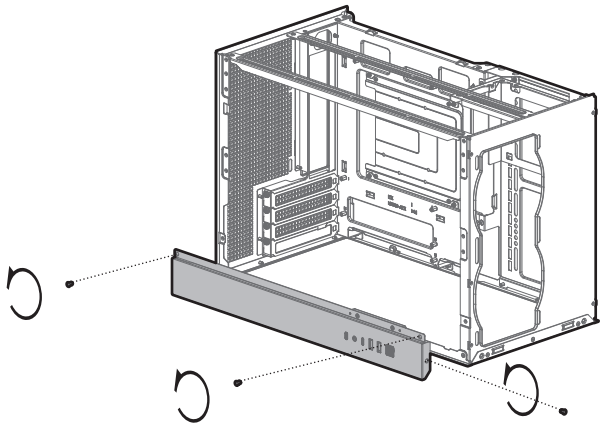
Removing the Rear Panel



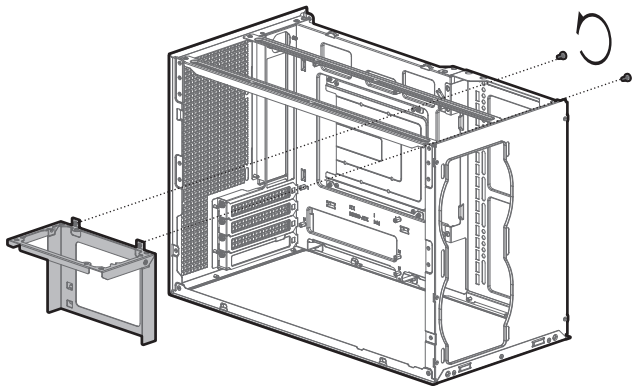
Removing the Digital Verical Base

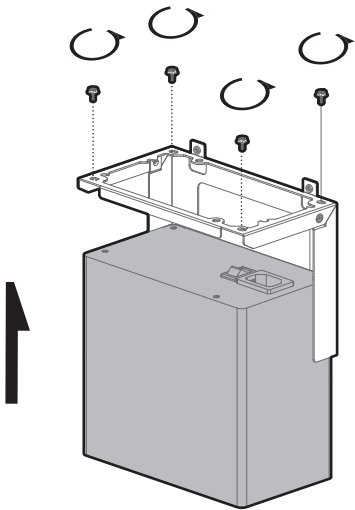


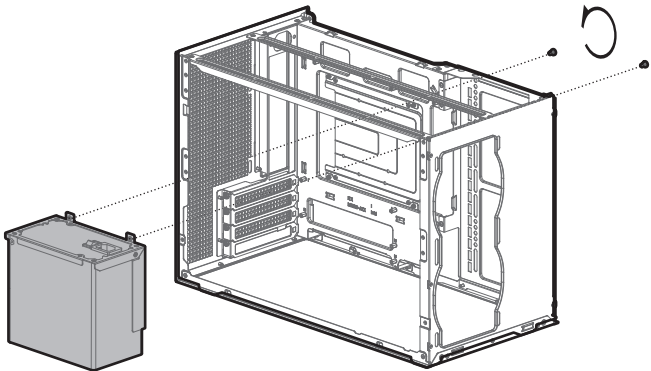
Removing the IO Panel



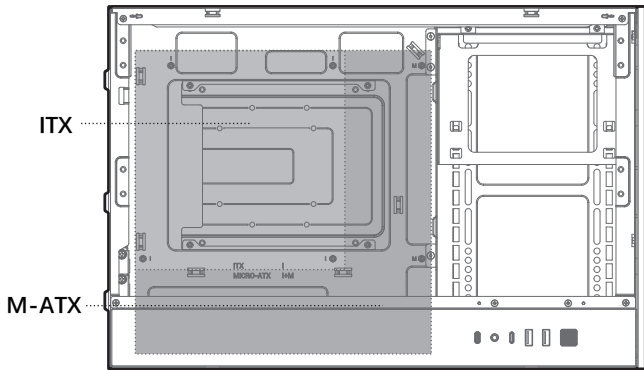
Installing the PSU





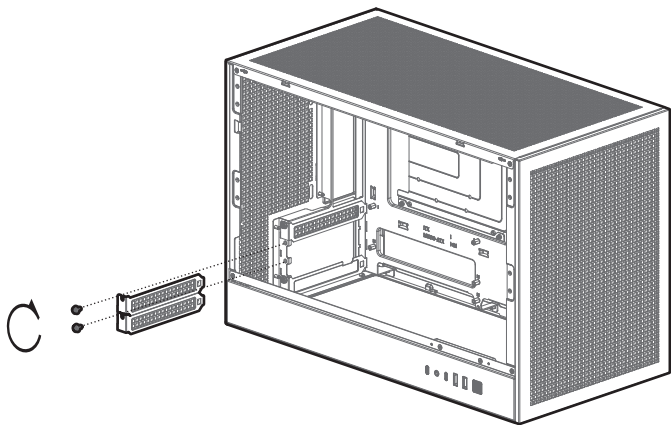


Installing the Motherboard

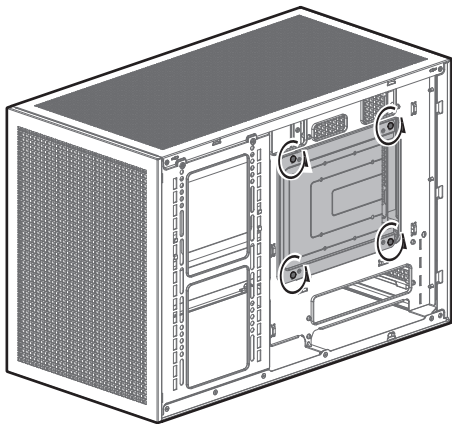


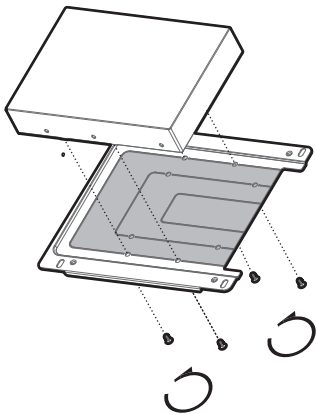
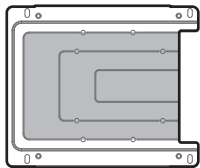
Rear Connector Motherboards: M-ATX

Installing the GPU

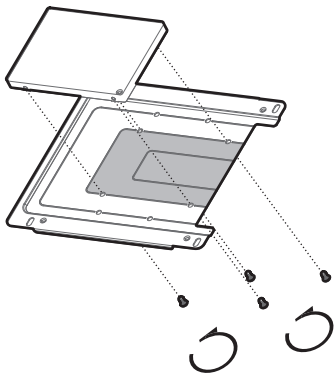
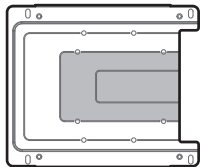


Installing HDD

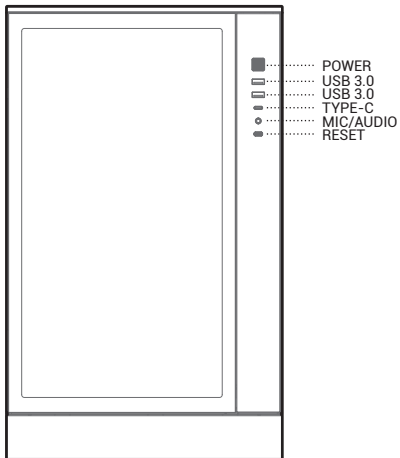




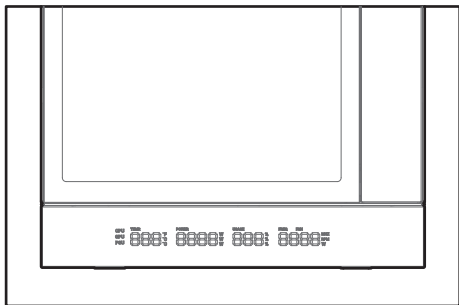
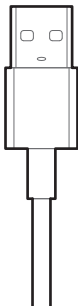
Installing SSD



I/O Panel Introduction

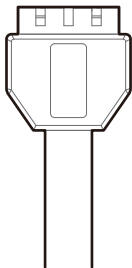


Installing the Digital Module



Installing the Front I/O Connectors

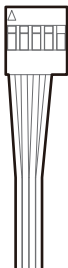
USB3.0



MIC/AUDIO



F_PANEL



TYPE-C



USB2.0



部件名称	有毒有害物质或元素					
	铅 (Pb)	汞 (Hg)	镉 (Cd)	六价铬 (Cr+6)	多溴联苯 (PBB)	多溴二苯醚 (PBDE)
机壳	○	○	○	○	○	○
塑胶	○	○	○	○	○	○
螺丝	○	○	○	○	○	○
集成电路	○	○	○	○	○	○
零件包	○	○	○	○	○	○

本表格依据SJ/T 11364的规定编制。

环保使用期限标识表示产品在正常工作温度和湿度等条件下的环保使用年限为10年。

○：表示该有害物质在该部件所有均质材料中的含量均在GB/T 26572规定的限量要求以下。

×：表示该有害物质至少在该部件的某一均质材料中的含量超出GB/T 26572规定的限量要求，且因技术发展水平限制而无成熟方案替代，均符合欧盟RoHS法规环保指令。



