

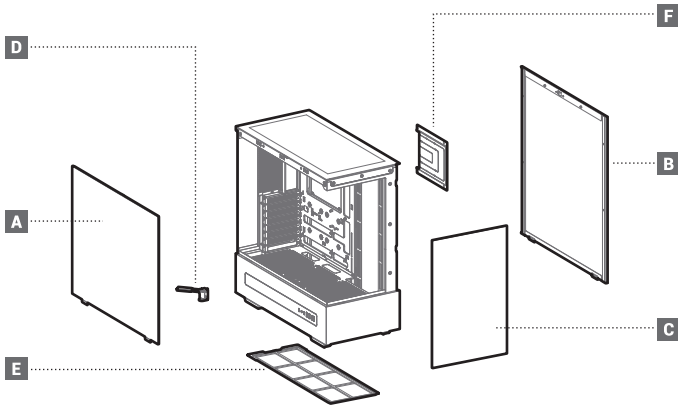


Questo manuale d'istruzione è fornito da trovaprezzi.it. Scopri tutte le offerte per [Deepcool CH690 Nero](#) o cerca il tuo prodotto tra le [migliori offerte di Case e Alimentatori](#)

CH690 DIGITAL Series

Full-View Tempered Glass ATX Case

Case Features



Case Specifications

Length: 481mm
Width: 240mm
Height: 516mm

Fan locations:

Front: NA

Top: 3x120mm/3x140mm

Rear: 1x120/1x140mm

Maximum GPU length: 450mm

Maximum PSU length: 180mm

Maximum CPU cooler height: 182mm

Side: 3x120mm/3x140mm

Bottom: 3x120mm/3x140mm

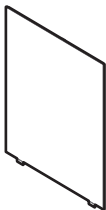
Radiator compatibility:

Front: NA

Top: 120/140/240/280/360/420mm

Side: 120/140/240/280mm

Bottom: 120/240/360mm

A

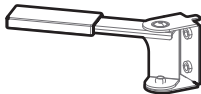
Tempered Glass Side Panel

x1**B**

Right Side Panel

x1**C**

Tempered Glass Front Panel

x1**D**

GPU Bracket

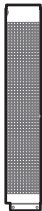
x1

E

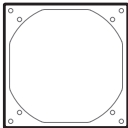
Bottom Dust Filter

x1**F**

Hard Disk Bracket

x1**G**

Metal Rear Side Panels

x1**H**

Fan Mounting Kit

x1

Accessory Kit Contents

I

PSU screws

x6**J**

Motherboard screws

x18**K**

HDD screws

x9**L**

Stand Off

x3**M**

Sleeve Screws

x1**N**

Velcro Tape

x3**O**

Cable ties

x11

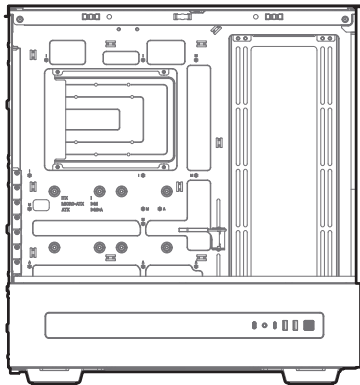
Specifications

240mm

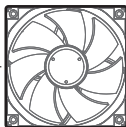
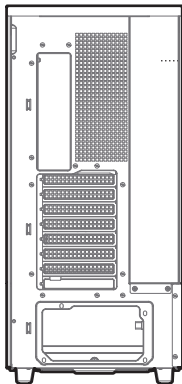


485mm

516mm



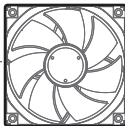
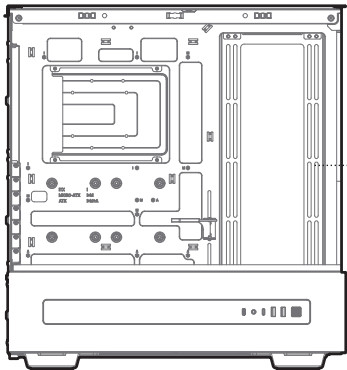
REAR



120mm×1

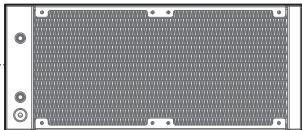
140mm×1

SIDE



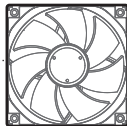
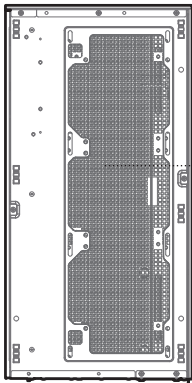
120mm×3

140mm×3



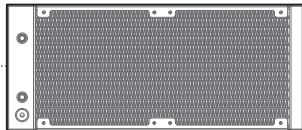
120/140/240/280mm

TOP



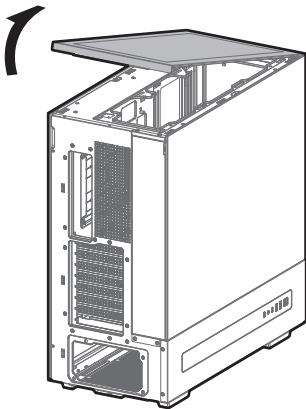
120mm×3

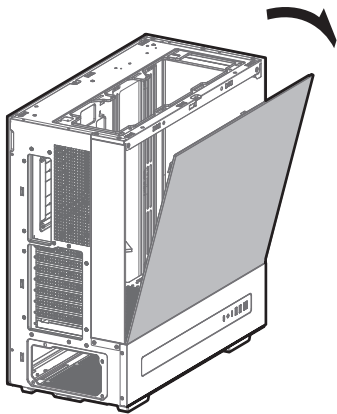
140mm×3

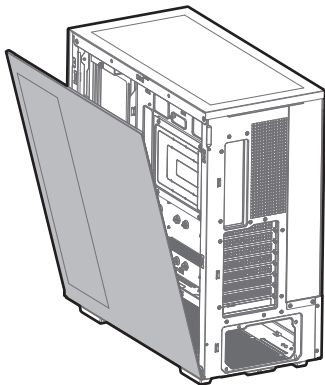


120/140/240/280/360/420mm

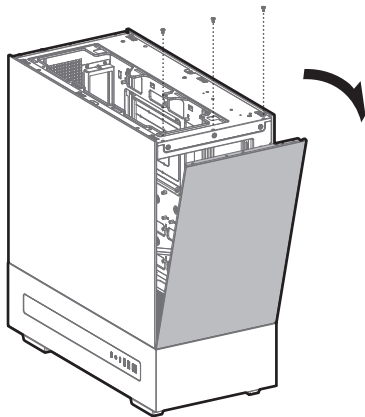
Removing the Side Panel



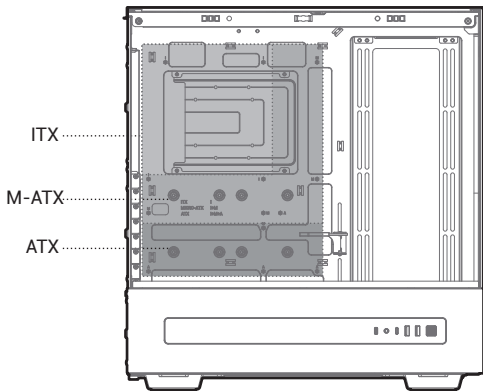




Installing the Front Panel

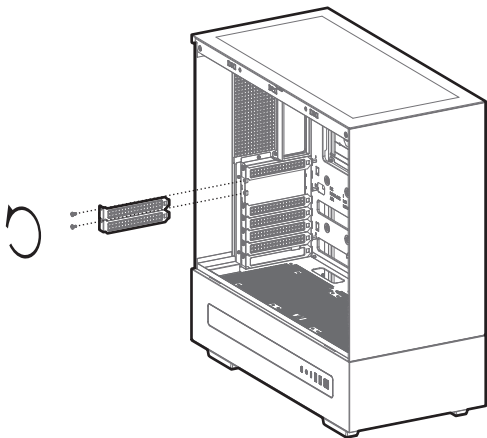


Installing the Motherboard

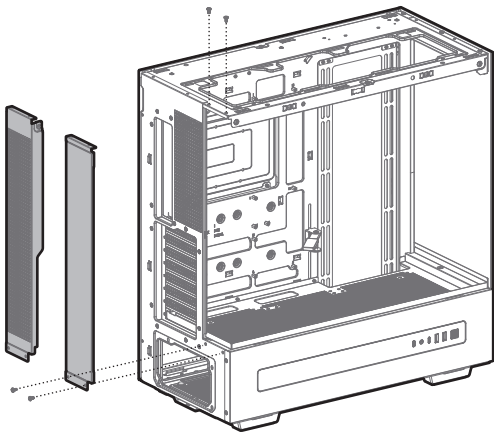


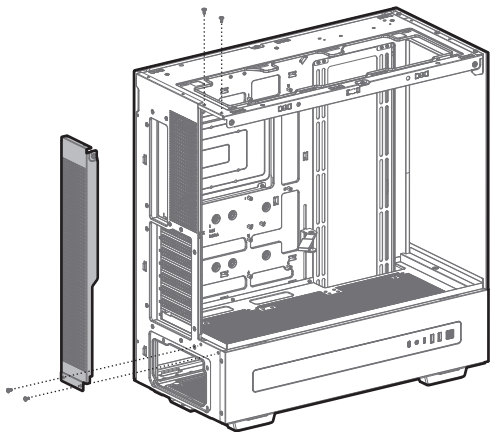
Rear Connector Motherboards: M-ATX/ATX

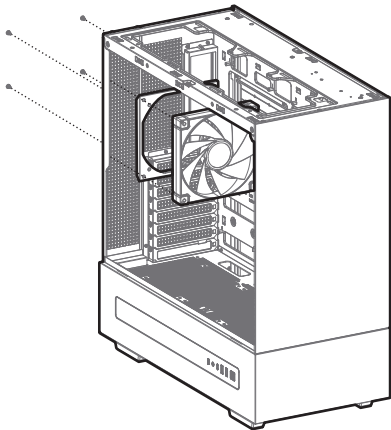
Installing the GPU



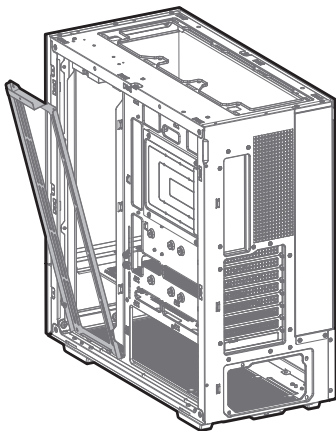
Installing the Rear Fan

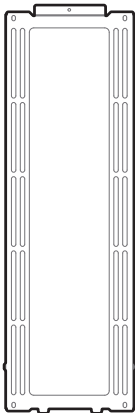




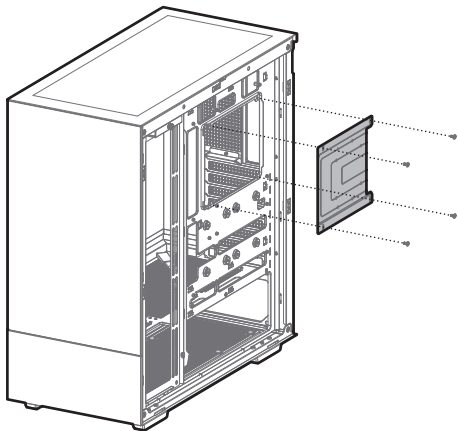


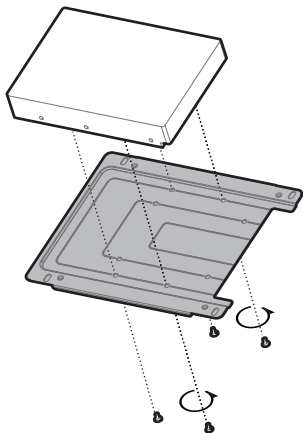
Installing Side Fans



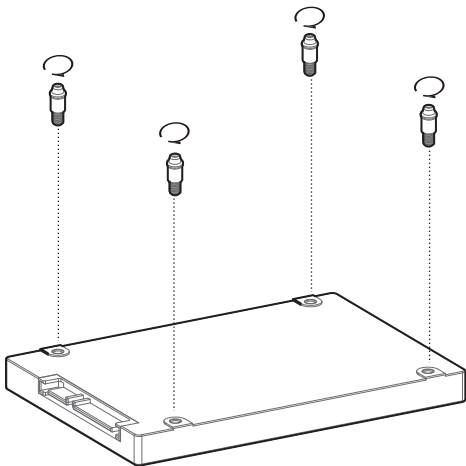


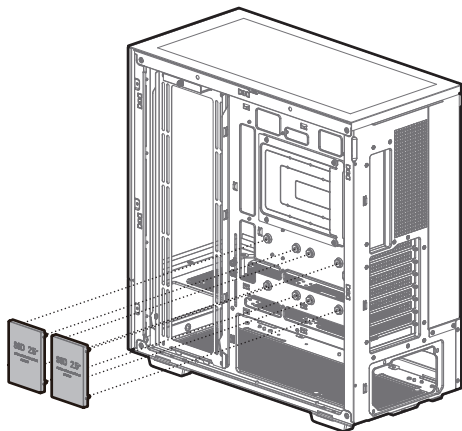
Installing HDD



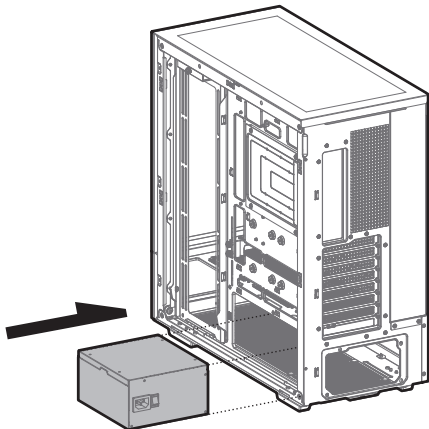


Installing SSD

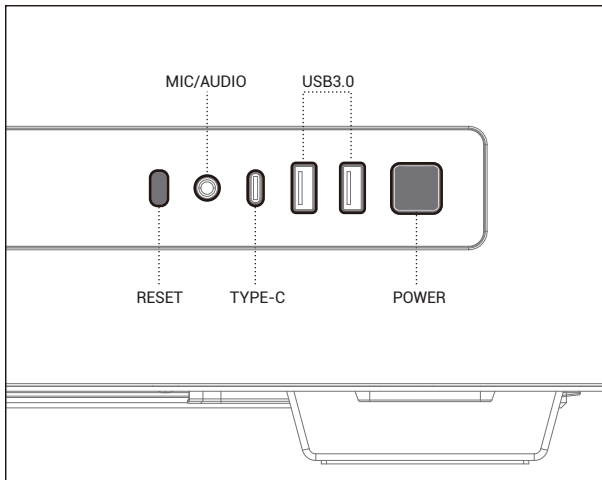




Installing the Power Supply

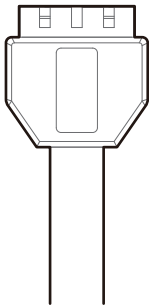


I/O Panel Introduction



Installing the Front I/O Connectors

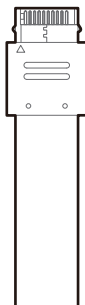
USB3.0



USB2.0



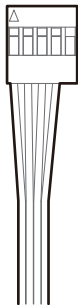
TYPE-C



MIC/AUDIO



F_PANEL



部件名称	有毒有害物质或元素					
	铅 (Pb)	汞 (Hg)	镉 (Cd)	六价铬 (Cr+6)	多溴联苯 (PBB)	多溴二苯醚 (PBDE)
机壳	○	○	○	○	○	○
塑胶	○	○	○	○	○	○
螺丝	○	○	○	○	○	○
集成电路	○	○	○	○	○	○
零件包	○	○	○	○	○	○

本表格依据SJ/T 11364的规定编制。

环保使用期限标识表示产品在正常工作温度和湿度等条件下的环保使用年限为10年。

○：表示该有害物质在该部件所有均质材料中的含量均在GB/T 26572规定的限量要求以下。

×：表示该有害物质至少在该部件的某一均质材料中的含量超出GB/T 26572规定的限量要求，且因技术发展水平限制而无成熟方案替代，均符合欧盟RoHS法规环保指令。



