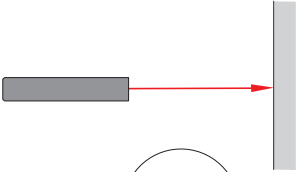
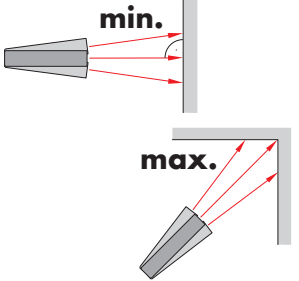
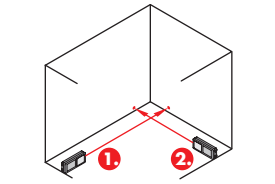
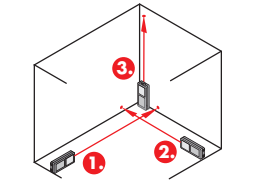
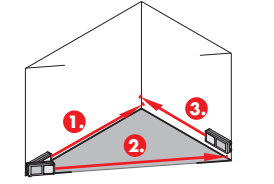
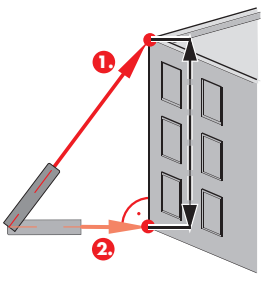
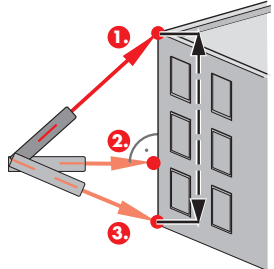
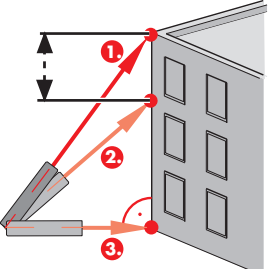
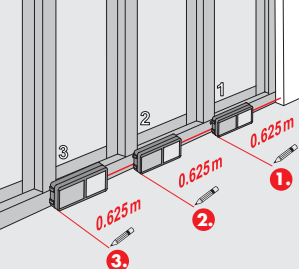
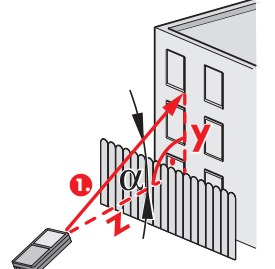
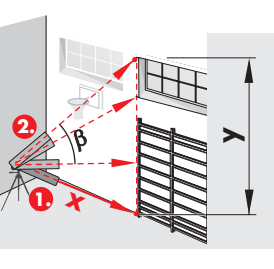
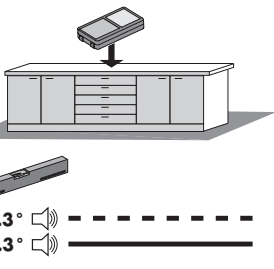


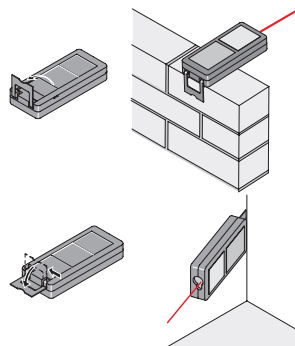
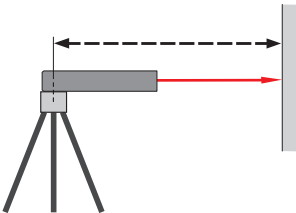
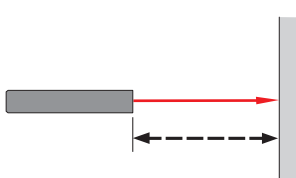


<p>DIST → ON</p> <p>C OFF → OFF</p> <p>2 sec</p>	<p>DIST</p>  <p>8.532 m</p>	<p>DIST 2 sec</p> <p>min.</p> <p>max.</p> 	<p>1x</p>  <p>2 sec</p>	<p>2x</p>  <p>2 sec</p>	<p>3x</p>  <p>2 sec</p>	<p>1x</p> 
<p>2x</p> 	<p>3x</p> 	<p>4x</p>  <p>0.625 m</p>	<p>1x</p> 	<p>2x</p> 	<p>3x</p> 	<p></p> <p>Laser class 2 in acc. to IEC 60825-1</p>  <p>www.DEWALT.com www.DEWALT.eu</p>

TIMER



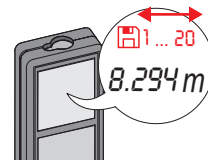
Adjust delay of automatic release



1...20
8.294 m

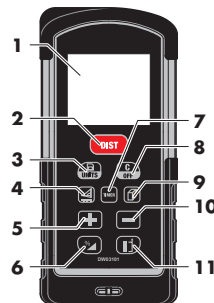


History (1-20)



DEWALT DW03101

QUICKSTART



- 1 Display
- 2 On / Measure
- 3 Units / Memory
- 4 Pythagoras / Stake out
- 5 Add
- 6 Smart Horizontal Mode / Height Tracking / Inclination
- 7 Timer
- 8 Clear / Off
- 9 Area / Volume / Triangular area
- 10 Subtract
- 11 Measuring reference



2 sec = Units



2 sec



2 sec



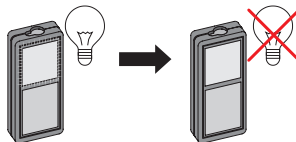
2 sec



2 sec

0.0°

0.0%



History (1-20)

