
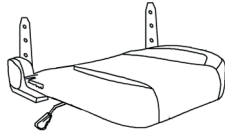
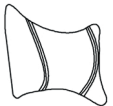




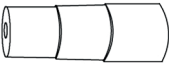

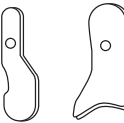

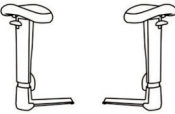
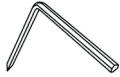
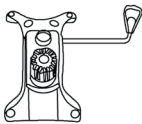
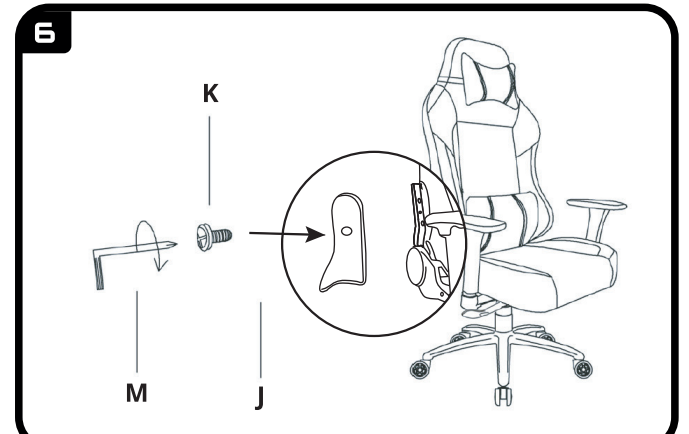
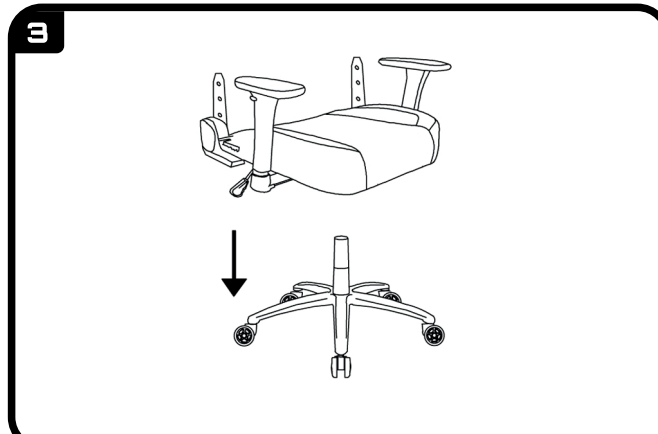
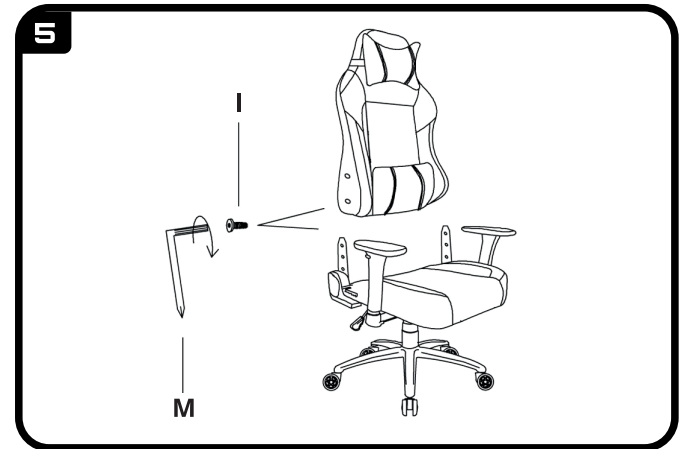
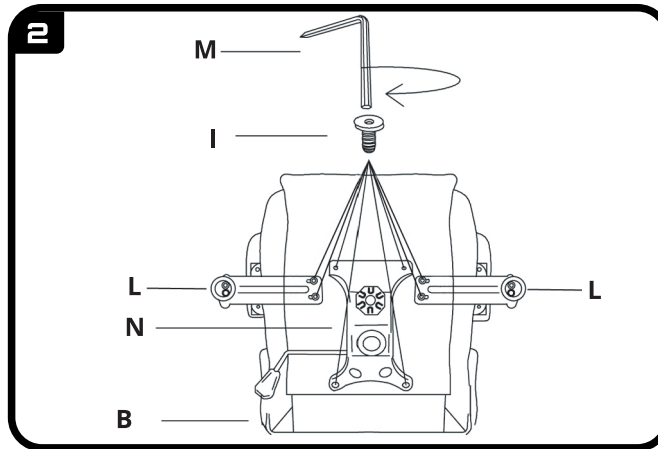
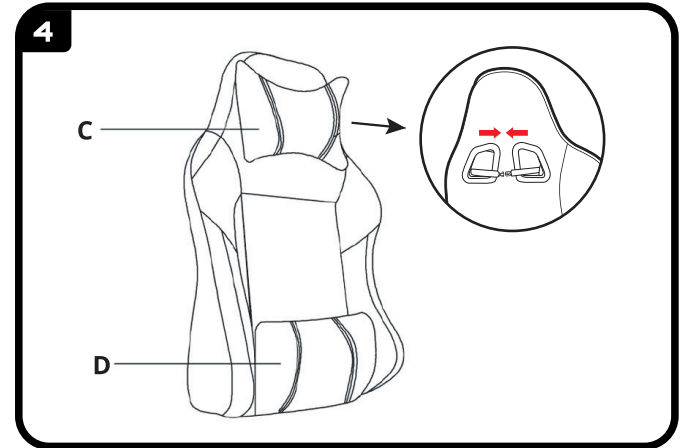
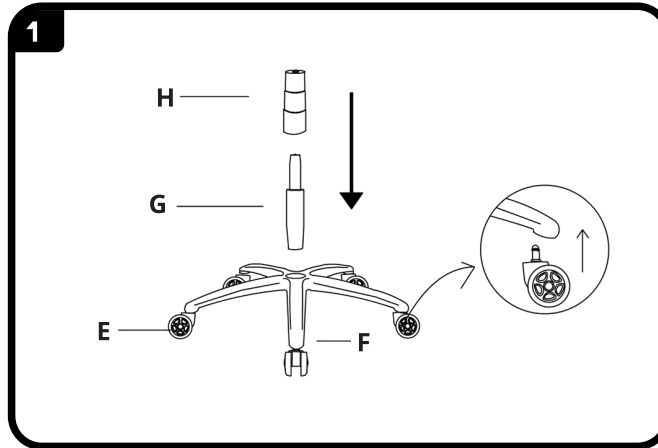


DRIFT

DR90

ASSEMBLY INSTRUCTIONS

A x1 	B x1 
C x1 	D x1 
E x5 	F x1 
G x1 	H x1 
I x12  Screws (mechanism)	J x2 
K x2  Screws (side mechanism)	L x2 
M x1  Spanner	N x1 



EN**MAINTENANCE GUIDE**

- Pull the levers up to adjust the height and recline of the chair.
Do not attempt to recline the chair with the anti-recline safety activated to prevent damage.
- Be careful when adjusting the angle of the backrest to avoid violent movements of the backrest.
- Any use of this product beyond that intended for sitting will be classified as misuse of the product and may result in breakage and/or injury to the user.
- Do not sit on the back of the chair. Avoid tilting the chair while it is lying down, this could cause damage to the structure of the chair.
- This chair is designed for one person at a time.
- Don't sit on the armrests.
- Avoid exposing the chair to direct sunlight or other sources of heat.
- All parts should be checked regularly to ensure they are safe for use.

MORE INFO

- Type of chair: Type C
- Casters suitable for any type of surface
- Adjusting mechanisms: reclining backrest and adjustable seat height
- Warning! Only trained personnel may replace or repair components for height adjustment of seating furniture with energy storage.
- Stop using the chair immediately if you discover that it is damaged.
- Do not open or attempt to open the seat cover zipper.

CHAIR CLEANING AND MAINTENANCE

- Use mild cleaners if necessary. Do not rub excessively.
- Do not use solvents or abrasive cleaning products.

LEATHERETTE CLEANING

- Most stains are removed when using water and a microfiber cloth, or just gently wipe the surface with a non-abrasive sponge with a solution of soap and warm water or a mild liquid detergent.
- Stop using the chair immediately if you discover that it is damaged.
 - Do not open or attempt to open the seat cover zipper.

CLOTH CLEANING

Vacuum the backrest and seat of the chair regularly. Rub the fabric gently with a brush at dirty spots. You can use a water-based detergent with a steam vacuum or a dry-cleaning detergent, but don't get the fabric too wet.

WHEELS CLEANING

Rotate the chair and make sure it is securely held by the seat and backrest. Vacuum the debris and use a damp microfiber cloth to wipe off wheels' outer dirt.