



Urban  
e-Mobility

**MG-20**  
foldable e-bike



User manual | Manuale d'uso | Manual de usuario | Manuel d'utilisation  
Benutzerhandbuch | Instrukcja obsługi | Návod k použití | Návod na použitie  
Manual do usuário | Εγχειρίδιο χρήστη | Navodila za uporabo | Uputstvo za korišćenje

# Index

English	01
---------	----

---

Italiano	37
----------	----

---

Español	73
---------	----

---

Français	109
----------	-----

---

Deutsch	145
---------	-----

---

Polski	181
--------	-----

---

Čeština	217
---------	-----

---

Slovenský	253
-----------	-----

---

Português	289
-----------	-----

---

Ελληνικά	325
----------	-----

---

Slovenščina	361
-------------	-----

---

Srpski	397
--------	-----

***MG-20***

foldable e-bike

## User and maintenance manual

Before using the bicycle, it must be properly and correctly assembled and checked in all its parts. Any assembly damage or incorrect maintenance are not covered by the warranty.

For more information, technical support and assistance, contact your dealer or visit the website [www.ducatiurbanemobility.com](http://www.ducatiurbanemobility.com)

# Contents

1. Preface
2. Safety warning
3. Packing list
4. Description of the bicycle (epac)
5. Lifting and carrying
6. Startup
7. Quick start
8. LCD Display
9. Display setting instructions
10. Maintenance instructions
11. Connections diagram
12. Troubleshooting
13. Battery (Warnings)
14. Technical specifications
15. Warranty terms

# 1. Preface

## Overview

This manual is an integral and essential part of the pedal-assisted bicycle (EPAC) and must be provided to the user.

Before the first operation of the bicycle, it is essential that users read, understand and strictly comply with the following provisions.

The manufacturer shall not be liable for damage to persons and/or property or to the pedal-assisted bicycle if it is used incorrectly in a way that does not comply with the instructions given.

With a view to ongoing technological development, the manufacturer reserves the right to modify the pedal-assisted bicycle (EPAC) without prior notice, without this manual being automatically updated.

We recommend visiting the website [www.ducatiurbanemobility.com](http://www.ducatiurbanemobility.com) where any updates or changes to this manual will be uploaded.

## Support Service

If you experience any problems or have any requests for clarification, please do not hesitate to contact the Support Service of your authorised Ducati Urban e-Mobility dealer, which can provide skilled and specialised personnel, specific equipment and original spare parts.

## Graphical form of safety warnings

The following graphic symbols will be used to identify the safety messages in this manual. Their function is to attract the reader/user's attention to ensure the correct and safe use of the pedal-assisted bicycle.



### Pay attention

Highlights rules of conduct to be complied with in order to avoid damaging the pedal-assisted bicycle and/or the occurrence of dangerous situations.



### Residual risks

This highlights the presence of hazards that cause residual risks to which the user must pay attention in order to avoid injury or damage to property.

### Legal note on use

Always respect the traffic code and traffic-related rules and regulations that are applicable to cyclists in the country of circulation.

## 2. Safety warning

### General safety rules



#### Use of the pedal-assisted bicycle

Each user must read this user and maintenance manual before first using the bicycle; in particular the chapter on safety instructions.



#### Risks associated with the use of the pedal-assisted bicycle

Despite the use of safety devices, to ensure the safe use of the pedal-assisted bicycle, you must take note of all the accident prevention instructions in this manual.

Always stay focused while riding your bicycle and do not underestimate the residual risks associated with using the pedal-assisted bicycle.

Even if you are already familiar with the use of pedal-assisted bicycles, you must follow the instructions given here, as well as the general precautions to be observed when riding a motorised bicycle.

#### Responsibility

The User must use the pedal-assisted bicycle with the utmost diligence and in full compliance with the traffic code and all relevant regulations cycling in force in the country of circulation.

The User must also keep the pedal-assisted bicycle clean perfectly efficient and maintained, diligently carry out the safety checks that fall under their competence, as described in the warnings and recommendations section, as well as keep all documentation relating to the pedal-assisted bicycle maintenance.

The User must carefully assess the atmospheric conditions that could make it dangerous to use the pedal-assisted bicycle. To this end, we recommend moderating the speed and keep an adequate braking distance in the event of riding in adverse weather conditions and / or intense traffic.

## Warnings for users

- It is prohibited to ride with a passenger.
- Do not consume alcohol or drugs before riding the pedal-assisted bicycle.
- This model of pedal-assisted bicycle is designed and built to be used outdoors, on public roads or cycle paths.
- Do not attempt to force the pedal-assisted bicycle to perform to a higher standard than that which it has been designed for.
- Never ride the pedal-assisted bicycle with parts removed.
- Avoid uneven surfaces and obstacles.
- Drive with both hands on the handlebar.
- Replace worn and/or damaged parts, check that the guards are working correctly before use.

## Notes on maintenance

All maintenance operations must take place with the battery disconnected.

During each maintenance phase, operators must be equipped with the necessary accident prevention equipment.

The tools used for maintenance must be suitable and of good quality.

Do not use petrol or flammable solvents such as detergents, but always use non-flammable and non-toxic solvents.

Limit the use of compressed air as much as possible (max. 2 bar) and protect yourself with goggles with side shields.

Never use a naked flame as a means of illumination when proceeding with operations of verification or maintenance.

After any maintenance or adjustment procedure, make sure that no tools or foreign bodies remain between the moving parts of the pedal-assisted bicycle.



## Original spare parts

Use only original Ducati Urban e-Mobility spare parts.

The manufacturer shall not be held liable for damage or loss of functionality caused by the use of non-original accessories and parts.

## Other provisions

The first thing to do when starting to use the bicycle is to check the presence and integrity of the guards and the operation of the safety devices.

If you find any defect, do not use the pedal-assisted bicycle!



## Guards

Therefore, it is strictly forbidden to modify or remove the battery and chain guards, etc., as well as the warning and identification plates.

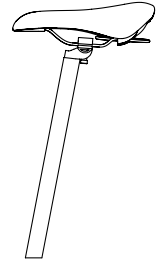
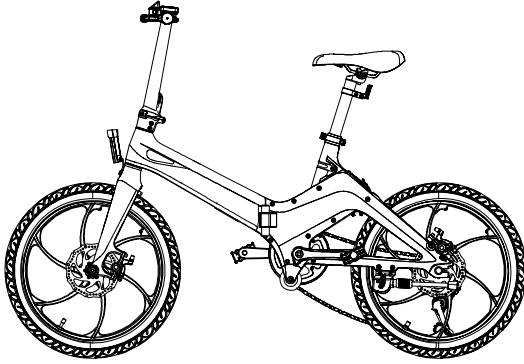
## Warehouse storage

In the event that the pedal-assisted bicycle is required to be stored for long periods of inactivity, the following operations must be carried out:

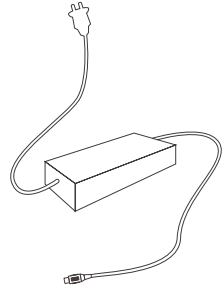
- Repair it in a dry and well-ventilated place.
- Carry out general cleaning of the pedal-assisted bicycle.
- Remove the battery from its seat.
- Leave the bicycle on the kickstand.
- Protect exposed electrical contacts with antioxidant products.
- Grease all surfaces not protected by paints or anti-corrosion treatments.



### 3. Packing list



- Bike frame body
- Seat + seat post
- Charger
- Rear reflector light
- Allen wrench (4mm)
- Front fender
- Rear fender
- 2 battery lock keys



## 4. Description of the bicycle (epac)



1. Saddle
2. Bike frame folder
3. Stem folder
4. Safe lock
5. Handlebar
6. Brake lever
7. Front light
8. Front fork
9. Disc brake
10. Front fender (to be assembled, provided in the box)
11. Chain wheel
12. Chain wheel protection wheel
13. Support wheel
14. Pedal
15. Kickstand
16. Rear derailleur
17. Motor
18. Rear fender (to be assembled, provided in the box)
19. Seat post clamp
20. Seat post
21. Rear reflector light (to be assembled, provided in the box)
22. Serial number

## Terms of use

The pedal-assisted bicycle has been designed and built to be ridden outdoors, on public roads and cycle paths, but always on asphalted surfaces.

Any modification of the state of construction can compromise the safety and stability of the pedal-assisted bicycle and can lead to an accident.

Other types of use, or use beyond the range of the intended use, do not correspond to the use intended by the manufacturer and therefore the manufacturer can no longer be held liable for any resulting damage.

Battery life, and therefore the estimated mileage in km, can vary considerably depending on the type of use and external influences; please consider the following particularly influential factors: user weight, pedalling frequency, assistance level selected on the display, average speed, tread thickness and wear, slope and road surface, weather conditions.

## Usage environment

The pedal-assisted bicycle can be used outdoors, in the absence of adverse weather conditions (rain, hail, snow, strong wind, etc.).

Maximum allowed temperature: + 40°C

Minimum allowed temperature: + 0°C

Maximum allowed humidity: 80%

The usage environment must have a flat, compact asphalted surface, free of roughness, potholes or depressions, and free of obstacles and oil stains. In addition, the place of use must be illuminated, either by the sun or by artificial lights, so as to ensure correct visibility of the route and the controls of the pedal-assisted bicycle (300 to 500 lux recommended).



## Prohibited usage environments

The pedal-assisted bicycle must not be used:

in areas subject to fire or explosion hazards; in environments with a corrosive and/or chemically active atmosphere; in poorly lit environments; on land with a slope greater than 10%; on uneven, unpaved terrain.

## Improper uses and contraindications

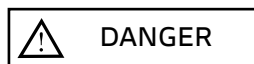
The actions described below, which obviously cannot cover the entire range of potential possibilities of "misuse" of the pedal-assisted bicycle, are to be considered absolutely prohibited.



### Prohibited operations

Performing prohibited operations invalidates the warranty.

The manufacturer declines all responsibility for any damage to persons and things deriving from the execution of prohibited operations.



### It is strictly prohibited to:

Ride your pedal-assisted bicycle for purposes other than those for which it was built, i.e. for carrying passengers.

Ride your pedal-assisted bicycle in areas where there is a danger of explosions.

Ride your pedal-assisted bicycle in adverse weather conditions (pouring rain, hail, snow, strong wind, etc.).

Carry a passenger.

Ride your pedal-assisted bicycle under the influence of alcohol or drugs.

Ride your pedal-assisted bicycle if your weight is greater than the permitted weight.

Charge the battery in an environment that is too hot or insufficiently ventilated.

Cover the battery while it is charging.

Smoke or use open flames near the charging area.

Transit through or stop on surfaces with a gradient greater than 10% or uneven surfaces (unpaved, with holes, depressions, obstacles, etc.).

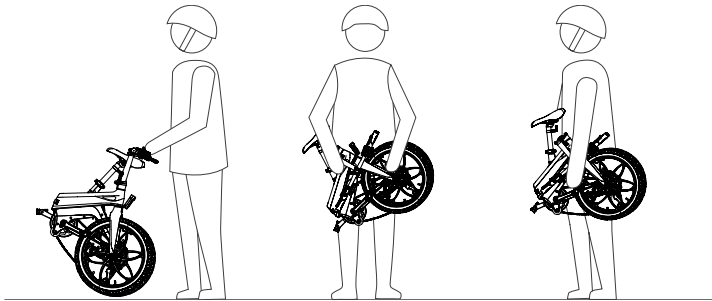
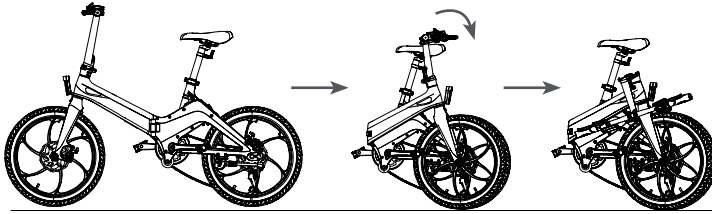
Perform any maintenance with the battery connected.

Use non-original spare parts.

Insert the limbs or fingers between the moving parts of the bicycle.

It is absolutely prohibited to raise the seat post beyond the limit of 10 cm in order to avoid fractures to the frame.

## 5. Strolling and carrying



### Crushing and impact

During lifting, it is necessary to operate with extreme caution in order to avoid damage to people and things.

The manufacturer is not liable for breakages due to the lifting and/or transport of the pedal-assisted bicycle after delivery.

The weight of the pedal-assisted bicycle is around 21 kg, lifting by two adult people is advised.

### Transport

To ensure a high level of safety during transport in vans, it is necessary to prevent the pedal-assisted bicycle from moving around. This is achieved by resting it on the stand and tying it up with straps or anchor cables in good condition.

In this regard, the attachment devices must be installed in such a way that they do not damage the frame and other parts of the bicycle.

## 6. Startup

### Charging the battery

Before using the bicycle for the first time, it is necessary to charge the battery for at least 4-6 hours, until charging is complete, using the supplied battery charger.

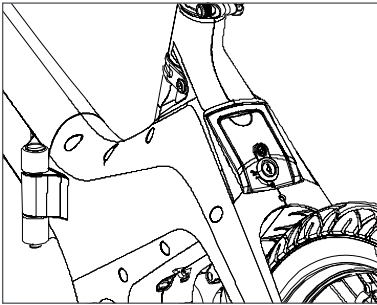
The bicycle is powered by a 36V lithium-ion battery.

The average charging time is around 4-6 hours. The batteries are of the lithium type.

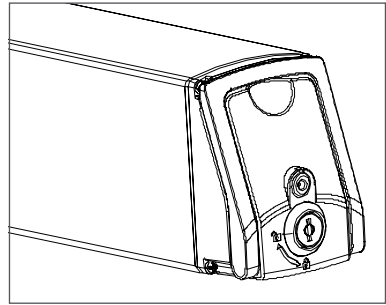
To extend the life of the battery as much as possible, a full charge every thirty days is recommended, even if the bicycle is not used.

We recommend charging the battery with its special battery charger after each use of the pedal-assisted bicycle.

**During charging, the red light in the charger is illuminated, when charging is complete, the red light goes out, and the green light comes on.**

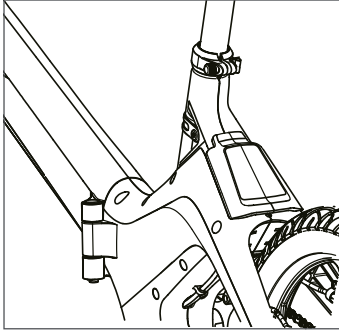


Charging option one: open the rubber cap on the charging port and charge.

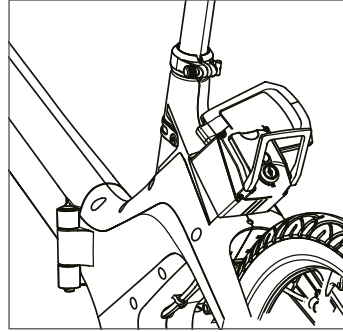


Charging option two: extract the battery and charge it without having to move the bike around.

## Uninstall & Install battery



1. Power off the vehicle, unlock the battery, then pull out the battery box with the lifting handle as shown in picture shows.



2. When installing battery, lock the battery with key and take the key away, press battery handle to be flat, and unfold the bike frame.



### Precautions during charging

Always connect the plug to the battery and then the power plug to the mains.

When recharging is complete, always disconnect the plug from the mains first and then the plug from the battery.

Always fully charge the battery.

Always use original power supplies.

Do not leave the battery charging for more than 16 hours.

Always recharge in a ventilated area.

Do not recharge the battery in environments that are too hot.

Do not recharge the battery near flammable liquids.

Do not cover the battery in any way while it is charging.

If the battery gives off a bad smell, immediately unplug it from the power supply and ventilate the room, do not touch the battery.

Keep the battery in a cool, dry place when you are not using it.

## Put on the road

Before using the pedal assisted bicycle, to ensure the efficient “putting on the road” of the product, it is advisable to carefully check each part and provide for adequate adjustment intervention of the relative mechanical components, directly or with the support of specialized operators, e.g. adjustment and tightening of the handlebars and stem, adjustment and tightening of the saddle and seat post, adjustment of the brakes, adjustment of the gearbox, tire pressure check, chain and gears lubrication, correct tightening of the fixing screws check and general check of all parts. It is recommended that the putting on the road services be carried out by qualified personnel.

## Wheels

Check the tyre inflation pressure, referring to the values on the tyre shoulder. Check the state of wear of the rubber: there must be no cuts, cracks, foreign bodies, abnormal swellings, exposed canvas and other damages.

## Brake system

Check the operation of the brakes with a low-speed braking test (max. 6 km/h) in an obstacle-free zone, first with the rear brake and then with the front brake.



## Check with negative results

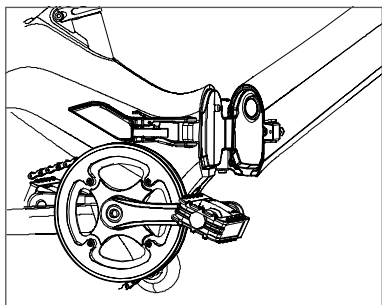
In the event that defects of any kind are found during the preliminary checks and even a single check has negative results, **do not ride the pedal-assisted bicycle.**

Activate all measures immediately to make a proper adjustment, and if necessary, contact the Support Service.

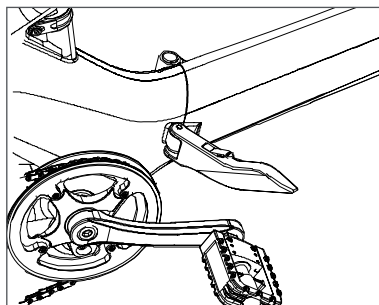


## 7. Quick start

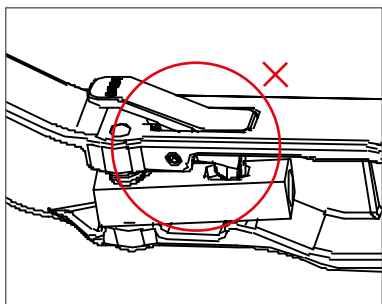
### Unfold the bike



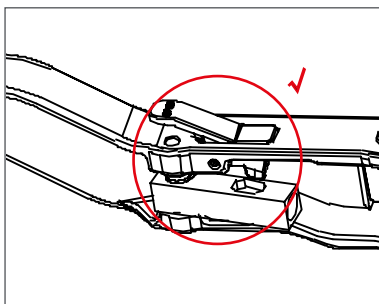
1. Hold the vehicle body, unfold the frame.



2. As shown in picture, lock the folder clamp tightly, please finish step 3) and 4) before locking the clamp.

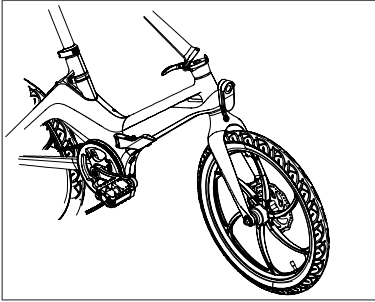


3. If the fastener shows as picture, need press it down to release the convex piece.

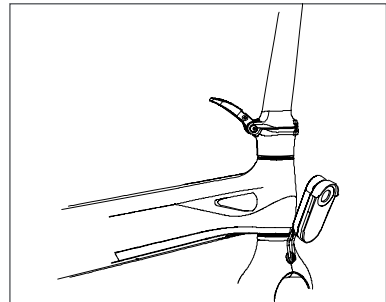


4. If the fastener shows as picture, then can operate step 2) to lock the frame.

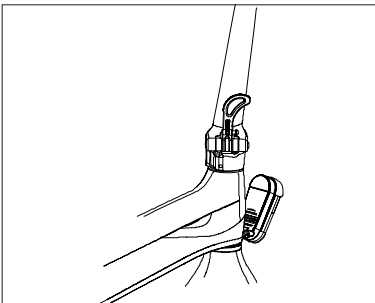
## Unfold the stem



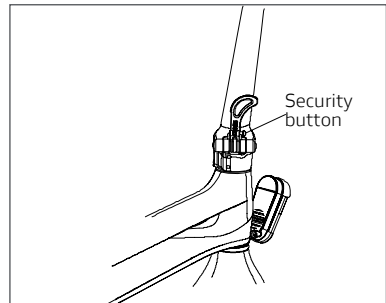
1. Hold the bike body and turn the stem upright to ensure that the stem is seamlessly connected to the underside.



2. Fasten the folding wrench directly in the direction of the stem.



3. Slightly shake the stem and check if the security buckle is fully buckled.



4. When folding the stem, you need to press the security buckle and then open the folding wrench.

## Mount handlebar



1. Use the M4 Allen Key to loosen the screw of the ahead stem, and take off the clamp.

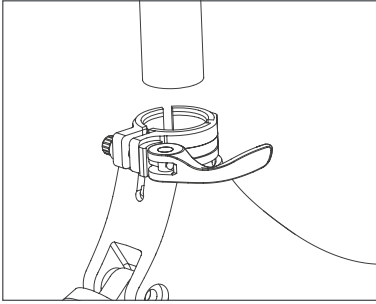


2. Carefully place the clamp on the middle of handlebar, then tighten the screws by M4 Allen Key.

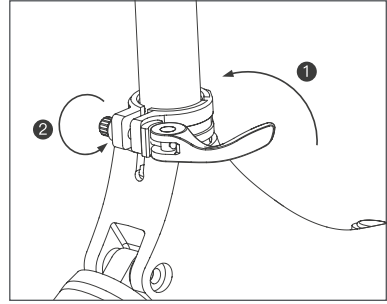


3. Check handlebars for strength and correct position before ride.

## Seat post assembling

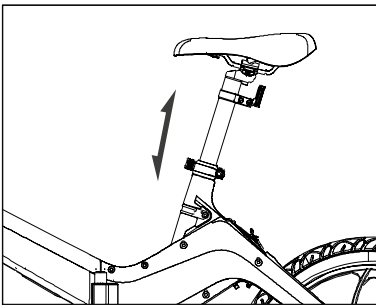


1. Loosen the seat post clamp , keep the bike steady, insert the seat post in the frame.

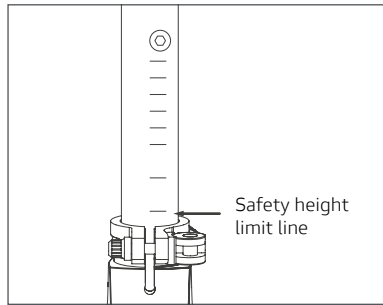


2. Adjust the screw ,tighten the clamp, then press the saddle at full tilt to ensure the seat post locked tight enough and doesn't rotate or move up and down.

## Adjustment of saddle height

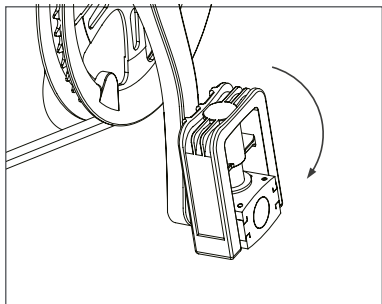


1. When you need to adjust the height of the saddle, first loosen the seat post clamp, then move the seat post to the preferred height , tighten the seat post clamp.

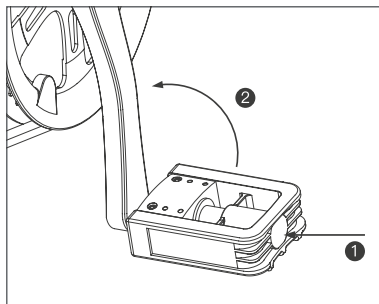


2. The saddle height mustn't exceed the minimum insert safety height limit line.

## Unfold and Fold the pedals

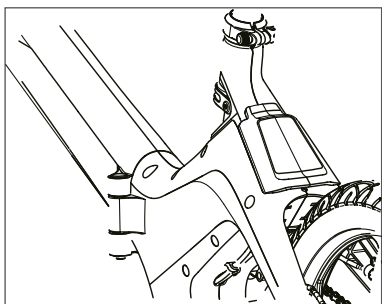


1. Hold the vehicle body and unfold the pedals.



2. Press the pedal towards the crank, and fold it up.

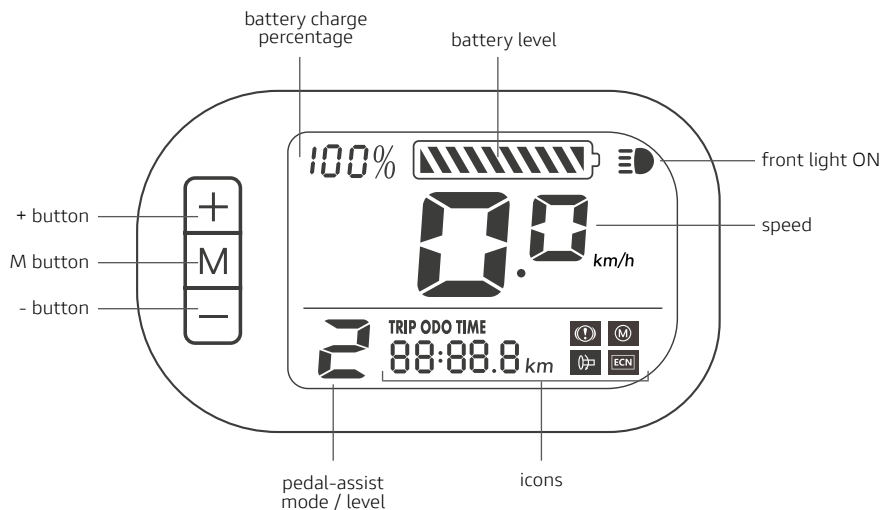
## Power on operation



1. Charge the battery before your first ride.

Note: When charging is completed, please cover the plug to avoid the water intake of the charging port.

## 8. LCD Display



### Button functions:

**Button M** : multifunctional button, long press for 3 seconds to switch ON/OFF the bike; short press to switch the display of single trip mileage, total mileage and running time.

**Button +** : long press for 3 seconds to turn on/off the front light.

**Button +** : short press to increase speed mode.

**Button -** : short press to decrease speed mode.



The battery indicator is full when the battery of your pedal-assisted bicycle is fully charged. The battery indicator drops in level as the pedal-assisted bicycle is used. The battery indicator may fluctuate in the charge level depending on the use of the pedal-assisted bicycle, for example, if you are on a gradient, the battery indicator level may drop rapidly as you consume much more of the battery power of your pedal-assisted bicycle.

**To ensure optimal use and maintenance of the battery, it is recommended to fully charge the battery after each use.**

## Icons' meaning:



Indicates that the front light is on



Indicates that the brake is working



Indicates that the throttle is not working or not working properly



Indicates that the motor is not working or not working properly



Indicates that the controller is not working or not working properly

## TRIP ODO TIME

88:88.8

Switch among single trip mileage, total mileage and running time

## 9. Display setting instruction

1. Press + and - at same time for 3s into Setting interface P0.
2. Restore factory setting: Press + for about 30s in P0 and it will automatically exit Setting Mode.



### 3. Km/Mile switch:

- A. Press M button and switch P0 to P1
- B. In P1, press +/- to switch Km/Mile. 0=Km, 1=Mile
- C. Press +&- at same time to exit Setting Mode. Or automatically exit Setting Mode after 15s.





4. Adjust speed slightly:

A. Press M button and switch P0 to P2

P2 can only adjust the speed shown in display slightly, it could not change the real speed.

B. Press +/- to change the data. The proper setting is 15.6 for 16inch wheels, 18.5 for 20inch wheels. The bigger data is, the higher is the speed in display(will not change real speed).



## 10. Maintenance instructions

**All maintenance operations must be performed with the system switched off, the battery disconnected and the bicycle resting on the stand.**

After each routine maintenance operation, a check on the perfect functioning of all controls is advised.

This manual does not go into detail about disassembly and non-routine maintenance, as these operations must always be carried out exclusively by the Support Service staff of your authorised Ducati Urban e-Mobility dealer.

The Support Service is able to provide all the information you will need and answer all your requests regarding the perfect care and maintenance of your pedal-assisted bicycle.



### Check with negative results

- If even a single check has a negative result, **do not ride the pedal-assisted bicycle.**
- Immediately take all measures to perform a suitable repair and if necessary, contact the Support Service of your dealer.

### Washing

Cleaning the pedal-assisted bicycle is not only a matter of decorum but also makes it possible to immediately detect any defect in the bicycle.

In order not to damage or impair the operation of the various components, especially the electrical parts, cleaning must be carried out while taking certain precautions. It is absolutely forbidden to direct pressurised water jets towards the electrical parts, the motor, the display and the battery, for which sponge washing is recommended.

Before starting the pedal-assisted bicycle, dry completely with a cloth or paper, being careful not to scratch the painted components. Avoid using compressed air, especially at close range and high pressure. Check that there is no residual moisture left on the electrical components.

### Chain lubrication

It is important to lubricate the chain regularly, to avoid excessive wear and to prolong its life.

1. Clean the entire length of the chain links with a rag.
2. Spray all chain links with a special lubricant spray for transmission chains.

## Checking the parts

The supporting frame of the pedal-assisted bicycle and the welds must be free of visible defects such as: cracks, deformations, incisions, corrosion, etc.

Make sure that all the bolts and pedals of the pedal-assisted bicycle are properly tightened.

Check the condition and attachment of the battery, the electrical cable sleeves must be in good condition, and the terminals must be well tightened and not corroded.

Check the battery charge status using the indicator on the handlebar display.

For proper use of the battery in your EPAC vehicle, we recommend that you always charge the battery after each use of the bicycle.

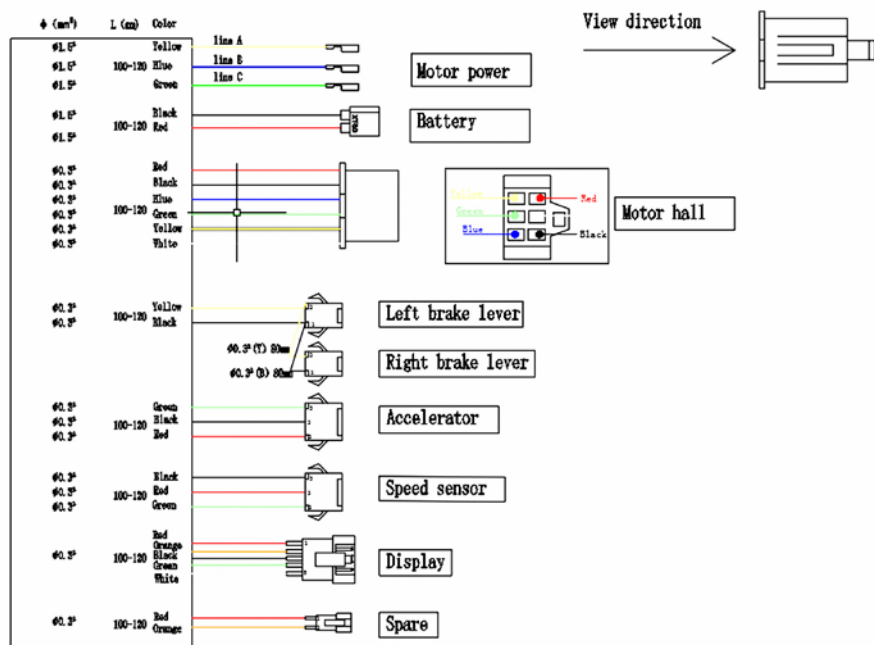
Using the inflation valve on the rims, check the inflation pressure of the tyres using a compressor and a pressure gauge gun or a workshop pump.

Check the condition of the tread, the rim and the attachment of the rims to the hubs. If you need to replace the tyres, contact the Support Service or a qualified tyre dealer.





The brakes must be adjusted in such a way as to ensure effective braking, and at the same time the control levers must have a range sufficient for modulating braking: in other words, the brakes must be neither too loose nor too tight.

# 11. Connections diagram

## 250W Controller



## 12. Troubleshooting

Display Indicator	Reasons	Solutions
Brake 	Indicates that the brake is engaged	/
	Brake lever does not return to normal position	Press brake lever some times to let it return. Replace with new brake lever
	Without accelerator	/
Accelerator fault 	Accelerator cable, accelerator or connector is broken/damaged	Replace with new cable, accelerator
	Connectors between accelerator and controller are not well connected	Reconnect well
Motor fault 	Motor is not working	Replace with new motor
	Cables or connector is broken/damaged	Replace with new cable
	Motor hall cable is not connected well or connected wrong	Reconnect well
Controller fault 	Controller is broken	Replace with new controller

## 13. Battery (Warnings)

### Battery indicator

The battery indicator is full when the battery of your pedal-assisted bicycle is fully charged. The battery indicator drops in level as the pedal-assisted bicycle is used. The battery indicator may fluctuate in the charge level depending on the use of the pedal-assisted bicycle, for example, if you are on a gradient, the battery indicator level may drop rapidly as you consume much more of the battery power of your pedal-assisted bicycle.

To ensure optimal use and maintenance of the battery, it is recommended to fully charge the battery after each use.

Make sure that the pedal-assisted bicycle, charger and charging port are dry.

When the pedal-assisted bicycle is fully charged, the LED light on the charger changes from red (charging) to green (charging completed).

Use only the original charger. Other chargers may damage the device and pose other potential risks.

The pedal-assisted bicycle should not be charged for extended periods. Overcharging reduces battery life and may cause other potential risks.

Charge the pedal-assisted bicycle in a dry environment away from flammable materials (e.g. materials that could explode into flames), preferably at an internal temperature of 15-25°C, but never below 0°C or above + 45°C.

Do not charge in direct sunlight or near a fire.

Do not charge the pedal-assisted bicycle immediately after use. Let the pedal-assisted bicycle cool down for one hour before charging.

Never leave the pedal-assisted bicycle unattended while charging. Thermal risk! Never connect the DC charging socket with metal objects.

Read the charging and storage sections above to ensure you maintain and handle the battery properly. Keep the pedal-assisted bicycle away from open flames or other heat sources to prevent the battery from overheating. Do not leave the pedal-assisted bicycle exposed to freezing temperatures. Both excessive heat and cold can drain the battery.

Avoid completely discharging the battery.

It is best to recharge the battery while there is still some charge left. This prolongs the life of the battery. When the charge is too low, it is not possible to drive normally. This may lead to the rider losing control or falling off.

Make sure the battery is charged at regular intervals, even if you do not use the pedal-assisted bicycle for an extended period. This prevents damage to the battery caused by low voltage over an extended period.

**Battery precautions:**

The battery is made up of lithium-ion cells and chemical elements that are hazardous to health and the environment. Do not use the pedal-assisted bicycle if it emits odours, substances or excessive heat. Do not dispose of the pedal-assisted bicycle or battery with household waste. The end user is responsible for disposing of electrical and electronic equipment and batteries in compliance with all applicable regulations.

**What to avoid:**

Opening the battery or taking it apart, hitting, throwing or puncturing the battery or sticking objects on the battery. Touching any substances leaking from the battery, as it contains hazardous substances. Letting children or pets touch the battery.

Over-charging, over-discharging or short-circuiting the battery. Immersing or exposing the battery to water or other liquid. Exposing the battery to excessive heat or cold.

Exposing the battery to an environment containing explosive gases or flames.

Leaving the battery in rain or direct sunlight or in a hot car in direct sunlight.

Reassembling or refitting the battery.

Carrying or storing the battery together with metal objects such as hairpins, necklaces, etc. Driving the pedal-assisted bicycle while charging.

Using any charger other than the original.

## 14. Technical specifications

### General information

Tires	20 "X 2.125" with reflective band
Rims	magnesium, 6-spoke
Brakes	mechanical disc
Shifter	SHIMANO 6 gear
Fork	magnesium
Chainset	chainring 44T - 6 pinions (14-16-18-21-24-28T)
Pedals	plastic, resealable
Frame	magnesium, foldable
Max speed	25 km/h
Seat	comfort model
Seat tube	aluminum
Handlebar	aluminum, foldable
Grips	rubber
Fender	plastic
Kickstand	rear, side model
Rear rack	not included
Max load	110kg

### Electrical system

Lights	LED front
Display	LCD with assistance levels, ON / OFF lights, odometer with related functions
Motor	36V, 250W, IP54, rear
Battery	SAMSUNG 36V, 10.5Ah, 378Wh integrated into the frame and removable
Charger	input: 100-240V, 50-60Hz ,2.5A / output: 42V, 2.0A
Charging time	4/5 hours
Autonomy	up to 50 km, this figure depends on: level of assistance used, weight of the cyclist, muscle power applied when pedaling, tire pressure, road slope, number of stops and restarts

### Dimensions and Weights

Weight battery	2.06kg
Weight w/o battery	18.47kg
Weight tot.	20.53kg
E-bike dimensions	1510 x 580 x 1070mm
Pack dimensions	830 x 420 x 620mm



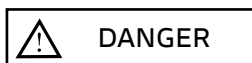


### **Permitted speed**

The maximum speed allowed by law is 25 km/h.

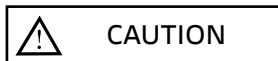
Any interventions not authorised by the manufacturer on the control unit shall mean that the manufacturer cannot be held liable for any damage caused to persons and/or things; moreover, the warranty on the purchased product shall be invalidated.

The control unit has been programmed not to allow changes to the maximum speed parameter.

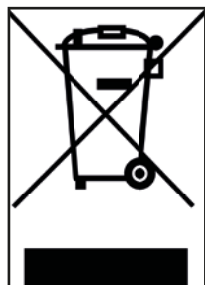


### **Risk of injury**

Maintain a speed and conduct appropriate to your abilities, never use the pedal-assisted bicycle above 25 km/h as you could cause serious damage and injury to yourself or other people.



**Disposing of electrical or electronic devices at the end of their life (applicable in all countries of the European Union and in other European systems with separate collection systems)**



This symbol on the product or on the packaging indicates that the product should not be considered as normal household waste, but should instead be taken to an appropriate collection point for the recycling of electrical and electronic equipment (WEEE).

By ensuring this product is disposed of correctly, you will help prevent potential negative consequences for the environment and human health which could otherwise be caused by inappropriate disposal. Recycling of materials helps to conserve natural resources.

For more detailed information about the recycling of this product, you can contact your local waste disposal service or the outlet where you purchased it.

In any case it is necessary to dispose of the product according to the regulations in force in the country of purchase.

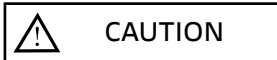
Specifically, consumers must not dispose of WEEE as municipal waste, but must dispose of this type of waste separately, in two possible ways:

- 1) At municipal collection centres, directly or via the collection services of municipal companies, where these are available.
- 2) At sales outlets selling new electrical and electronic equipment.

Here, very small WEEE can be left free of charge (with the longest side less than 25 cm), while larger ones can be left on a 1-on-1 basis, i.e. you can leave the old product when a new one with the same function is purchased.

Should you dispose of electrical or electronic equipment in an illegal manner, the penalties provided for by current legislation on environmental protection may be applied (valid only for Italy).

If WEEE contains batteries or accumulators, these must be removed and disposed of via specific separate waste collection.



**Disposal of dead batteries (applicable in all countries of the European Union and in other European systems with separate collection system)**



This symbol on the product or packaging indicates that the battery pack should not be considered normal household waste. On some types of batteries, this symbol may be used in combination with a chemical symbol.

The chemical symbols for mercury (Hg) or lead (Pb) are added if the battery contains more than 0.0005% mercury or 0.004% lead.

By ensuring that battery packs are disposed of correctly, you will help prevent potential negative consequences for the environment and health which could otherwise be caused by inappropriate waste handling. Material recycling will help to conserve natural resources. Where for safety, performance or data protection reasons, products require a fixed connection to an internal battery/cell, this must only be replaced by qualified service personnel.

At the end of its life, deliver the product to a collection point suitable for the disposal of electrical and electronic equipment, this will ensure that the battery inside is also disposed of correctly.

For more detailed information about the disposal of the dead battery or the product, you can contact your local waste disposal service or the outlet where you purchased it.

In any case it is necessary to dispose of the product according to the regulations in force in the country of purchase.

## 15. Warranty terms

All products are covered by the "Legal Guarantee of conformity" in compliance with the Directive 2011/83/EU.

The Legal Guarantee is reserved for consumers. It therefore applies only to users who have made a purchase for purposes unrelated to any entrepreneurial, commercial, craft or professional activity carried out.

For those who have purchased the Products and who do not have the quality of consumers, the guarantee for defects of the thing sold, the guarantee for the lack of promised and essential quality and the other guarantees provided by the civil code with the relative terms, forfeiture and limitations will be applied.

The Seller (and, therefore, as regards the purchase of the Products, the Retailer who sold the Product to the user) is liable to the consumer for any lack of conformity existing at the time of delivery of the product and that occurs within two years from the aforementioned delivery date. The lack of conformity must be reported to the seller, under penalty of forfeiture of the guarantee, within two months from the date on which it was discovered.

Unless proven otherwise, it is assumed that the lack of conformity that occurs within six months of delivery of the product already existed on that date, unless this assumption is incompatible with the nature of the product or with the nature of the lack of conformity. Starting from the seventh month following delivery of the product, it will be the burden of the consumer to prove that the lack of conformity already existed upon delivery of the same.

In order to take advantage of the Legal Guarantee, the purchaser must first provide proof of the purchase and delivery dates of the goods. Therefore, it is advisable for the purchaser to keep all documents that can certify the purchase and delivery dates (for example: receipt, invoice, order confirmation e-mail).

Any defects or malfunctions caused by accidental events and/or attributable to the Purchaser's responsibility or by use of the Product that does not comply with its intended use and/or as provided in the technical documentation enclosed with the Product, or due to failure to adjust the mechanical parts, natural wear and tear of materials that are worn out easily or caused by assembly errors, lack of maintenance and/or use of the same not in compliance with the instructions

For example, the following are to be considered excluded from the Legal Guarantee relevant to the Products:

- damage caused by impacts, accidental falls or collisions, punctures;
- damage caused by use, exposure or storage in an unsuitable environment (e.g.: presence of rain and/or mud, exposure to humidity or excessive heat, contact with sand or other substances);
- damage caused by failure to adjust due to "putting on the road" and/or maintenance of mechanical parts (mechanical disc brake, handlebar, tires, etc.);

- incorrect installation and/or incorrect assembly of parts and/or components, except when installation and/or assembly has been carried out by the seller or under his responsibility and/or they have been carried out by the consumer but the error in the installation and/or assembly is attributable to a lack of installation instructions;
- the natural wear and tear of consumable materials: mechanical disc brake (e.g. pads, callipers, disc, cables), tires, platforms, gaskets, bearings, led lights and bulbs, kickstand, knobs, mudguards, rubber parts (platform), wiring cable connectors, grilles and stickers, etc.;
- improper maintenance and/or improper use of the Product battery;
- tampering with and/or forcing parts of the Product;
- incorrect or inadequate maintenance or alteration of the Product;
- improper use of the Product (e.g.: excess load, use in competitions and/or for commercial or rental activities);
- maintenance, repairs and/or technical interventions on the Product carried out by unauthorised third parties;
- damage to the Products resulting from transport, if carried out by the Purchaser;
- damage and/or defects resulting from the use of non-original parts.

In the event that a purchased Product, during the validity period of the Legal Guarantee, manifests what could be a lack of conformity, the Purchaser must contact the seller; the latter will promptly reply to the communication of the alleged lack of conformity, indicating the specific procedure to be followed, also taking into account the category to which the Product belongs and/or the defect reported.



## Declaration of Conformity

M.T. Distribution S.r.l.

Address: Via Bargellino 10, 40012 Calderara di Reno (BO), Italy

This declaration of conformity is issued under the sole responsibility of the Manufacturer

Product Brand	Ducati
Product Model	MG-20
Description of product	Electric Bike
Rating	Product: DC 36V, 250W

Is in conformity with the requirements of the council Directives on the approximation of the laws of the Member States relating

EU Council Directive 2014/30/EU Electromagnetic Compatibility

EU MD 2006/42/EC

Test Standards :

EN 15194: 2017

EN 55014-1: 2017

EN 61000-3-2: 2014

EN 61000-3-3: 2013

EN 55014-2: 2015

Factory name: ONEBOT CYCLES Sp.zo.o

Factory address: **Prologis Park Wrocław 1, building DC 1 A, Magazynowa 1 street, 55-040 Bielany Wrocławskie, Poland**

Date: 07/01/2020

Technical file available from EU headquarter

Declaration Place: Bologna, Italy

First name and surname: Alessandro Summa

Position: CEO

MT DISTRIBUTION S.R.L

Via Bargellino 10, 40012, Calderara di Reno (BO), Italy

Authorized person: Alessandro Summa

Position: CEO

### NOTE:

This declaration of conformity is only applicable to Electric Bike sold in countries that follow the CE marking directives.

Alessandro Summa

**M.T. DISTRIBUTION SRL**

Via Bargellino, 10 b/c

40012 CALDERARA DI RENO (BO)

FORM FISC. 01119840377

NONA' COGNOME QUALITÀ

TIMBRO AZIENDALE

# **MG-20**

foldable e-bike

## Manuale d'uso e manutenzione

Prima di utilizzare la bicicletta, questa deve essere montata in modo corretto e controllata in tutte le sue parti. Eventuali danni dovuti ad un montaggio o una manutenzione errata non sono coperti dalla garanzia.

Per ulteriori informazioni o per richiedere un supporto tecnico e assistenza, contattare il rivenditore, oppure visitare il sito web [www.ducatiurbanemobility.it](http://www.ducatiurbanemobility.it)

Per i ricambi vai al sito [www.urbanemobility.com](http://www.urbanemobility.com)

1. Introduzione
2. Avvertenze sulla sicurezza
3. Contenuto della confezione
4. Descrizione della bicicletta (epac)
5. Sollevamento e trasporto
6. Messa in strada
7. Assemblaggio
8. Display LCD
9. Configurazione del display
10. Istruzioni per la manutenzione
11. Diagramma delle connessioni
12. Risoluzione dei problemi
13. Batteria (Avvertenze)
14. Specifiche tecniche
15. Termini di garanzia



# 1. Introduzione

## Panoramica

Il presente manuale è parte integrante ed essenziale della bicicletta a pedalata assistita (EPAC) e deve essere sempre fornito all'utente.

Prima del primo utilizzo della bicicletta, è essenziale che gli utenti leggano, comprendano e rispettino rigorosamente le seguenti disposizioni.

Il produttore non è responsabile di danni a persone e/o cose o alla bicicletta a pedalata assistita, se questa viene utilizzata in modo errato e non conforme alle istruzioni fornite.

In vista del continuo sviluppo tecnologico, il produttore si riserva il diritto di modificare la bicicletta a pedalata assistita (EPAC) senza preavviso, senza che questo manuale sia automaticamente aggiornato.

Si raccomanda di accedere al sito web [www.ducatiurbanemobility.it](http://www.ducatiurbanemobility.it) dove saranno pubblicati eventuali aggiornamenti o modifiche al presente manuale.

## Servizio assistenza

Per qualsiasi problema o chiarimento, non esitare a contattare il Servizio Assistenza del distributore autorizzato Ducati Urban e-Mobility, che metterà a disposizione personale competente e specializzato, attrezzature specifiche e ricambi originali.

## Forma grafica delle avvertenze di sicurezza

I seguenti simboli grafici saranno utilizzati per identificare i messaggi di sicurezza nel presente manuale. La loro funzione è quella di attirare l'attenzione del lettore/ dell'utente, al fine di garantire un uso corretto e sicuro della bicicletta a pedalata assistita.



### Prestare attenzione

Evidenzia le regole da rispettare per evitare di danneggiare la bicicletta a pedalata assistita e/o impedire il verificarsi di situazioni pericolose.



### Rischi residui

Evidenzia la presenza di pericoli che causano rischi residui ai quali l'utente deve prestare attenzione per evitare lesioni o danni materiali.

### Nota legale sull'utilizzo

Rispettare sempre il codice della strada e le norme in materia ciclistica vigenti nel paese di circolazione.

## 2. Avvertenze sulla sicurezza

### Regole generali per la sicurezza



#### Uso della bicicletta a pedalata assistita

Ogni utente deve leggere il presente manuale d'uso e manutenzione prima di usare la bicicletta per la prima volta, in particolare il capitolo sulle istruzioni di sicurezza.



Nonostante l'uso di dispositivi di sicurezza, per garantire un uso sicuro della bicicletta a pedalata assistita è necessario prendere nota di tutte le istruzioni di prevenzione degli incidenti contenute nel presente manuale.

Rimanere sempre concentrati durante l'uso della bicicletta a pedalata assistita e non sottovalutare i rischi residui che ne derivano.

Anche se si dispone già di una certa familiarità con l'uso delle biciclette a pedalata assistita, si raccomanda di seguire sempre le istruzioni riportate nel presente, oltre alle precauzioni generali da osservare quando si guida un velocipede.

#### Responsabilità

Il conducente ha l'obbligo di usare la bicicletta a pedalata assistita con la massima diligenza e nel pieno rispetto del codice della strada e di tutte le norme in materia ciclistica vigenti nel paese di circolazione.

Il conducente ha altresì obbligo di mantenere pulito ed in perfetto stato di efficienza e di manutenzione la bicicletta a pedalata assistita, di eseguire diligentemente i controlli di sicurezza di sua competenza, come descritti nella sezione avvertenze e raccomandazioni, oltre che a conservare tutta la documentazione relativa alla manutenzione della bicicletta a pedalata assistita.

Il Conducente deve valutare attentamente le condizioni atmosferiche che potrebbero rendere pericoloso l'utilizzo della bicicletta a pedalata assistita. A tal fine, si consiglia di moderare la velocità e di mantenere una adeguata distanza di frenata nel caso in cui si trovi in condizioni climatiche avverse e/o in caso di circolazione intensa.

## Avvertenze per gli utenti

- È vietato viaggiare con un passeggero.
- Non consumare alcool o droghe prima di utilizzare la bicicletta a pedalata assistita.
- Questo modello di bicicletta a pedalata assistita è progettato e costruito per essere utilizzato all'aperto, su strade pubbliche o piste ciclabili.
- Non forzare la bicicletta a pedalata assistita per raggiungere prestazioni superiori a quelle per cui è stata progettata.
- Non utilizzare mai la bicicletta a pedalata assistita se sono state rimosse delle parti.
- Evitare le superfici irregolari e gli ostacoli.
- Condurre la bicicletta mantenendo entrambe le mani sul manubrio.
- Sostituire le parti usurate e/o danneggiate e controllare che le protezioni funzionino correttamente prima dell'uso.

## Note per la manutenzione

Tutte le operazioni di manutenzione devono essere effettuate con la batteria scollegata.

Durante ogni fase di manutenzione, gli operatori devono essere dotati dell'attrezzatura necessaria per prevenire eventuali incidenti.

Gli strumenti utilizzati per la manutenzione devono essere adatti e di buona qualità.

Non usare benzina o solventi infiammabili, come ad esempio i detergenti, e utilizzare solo solventi non infiammabili e non tossici.

Limitare il più possibile l'uso di aria compressa (massimo 2 bar) e proteggersi con occhiali con schermi laterali.

Non utilizzare fiamme libere come mezzo di illuminazione quando si eseguono operazioni di verifica o di manutenzione.

Dopo qualsiasi intervento di manutenzione o regolazione, assicurarsi che non rimangano attrezzi o corpi estranei tra le parti mobili della bicicletta a pedalata assistita.



## Ricambi originali

Utilizzare solo ricambi originali o compatibili approvati Ducati Urban e-Mobility.

Il produttore non è responsabile di danni o perdite di funzionalità causati dall'uso di accessori e parti non originali.

## Altre disposizioni

La prima cosa da fare quando si inizia a usare la bicicletta è controllare la presenza e l'integrità delle protezioni e il funzionamento dei dispositivi di sicurezza.

Se si riscontrano dei difetti, non utilizzare la bicicletta a pedalata assistita!



## Guards

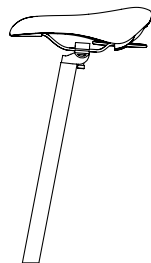
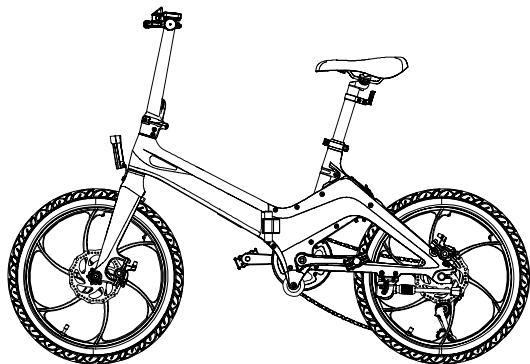
È severamente vietato modificare o rimuovere le protezioni della batteria, della catena, ecc., così come le targhette di avvertimento e di identificazione.

## Magazzino di stoccaggio

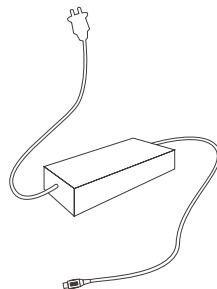
Nel caso in cui la bicicletta a pedalata assistita debba essere conservata per lunghi periodi di inattività, è necessario effettuare le seguenti operazioni:

- Metterla al riparo in un luogo asciutto e ben ventilato.
- Effettuare la pulizia generale della bicicletta a pedalata assistita.
- Rimuovere la batteria dall'alloggiamento.
- Lasciare la bicicletta sul cavalletto.
- Proteggere i contatti elettrici esposti con prodotti antiossidanti.
- Ingrassare tutte le superfici non protette con vernici o trattamenti anticorrosione.

### 3. Contenuto della confezione



- Corpo del telaio della bicicletta
- Sella + canotto sella
- Caricabatterie
- Luce catarifrangente posteriore
- Chiave a brugola (4 mm)
- Parafango anteriore
- Parafango posteriore
- n°2 chiavi serratura batteria



## 4. Descrizione della bicicletta (epac)



1. Sella
2. Leva per ripiegare il telaio della bicicletta
3. Leva per piegare l'asta del manubrio
4. Blocco di sicurezza
5. Manubrio
6. Leva del freno
7. Luce anteriore
8. Forcella anteriore
9. Freno a disco
10. Parafango anteriore (da assemblare, fornito nella confezione)
11. Puleggia della catena
12. Ruota di protezione della puleggia della catena
13. Ruota di supporto
14. Pedale
15. Cavalletto
16. Cambio posteriore
17. Motore
18. Parafango posteriore (da assemblare, fornito nella confezione)
19. Morsetto di bloccaggio del reggisella
20. Canotto sella
21. Luce catarifrangente posteriore (da assemblare, fornita nella confezione)
22. Numero seriale

## Condizioni di utilizzo

La bicicletta a pedalata assistita è stata progettata e costruita per essere utilizzata all'aperto, su strade pubbliche e piste ciclabili, ma sempre su superfici asfaltate.

Qualsiasi modifica dello stato di costruzione può compromettere la sicurezza e la stabilità della bicicletta a pedalata assistita e può provocare un incidente.

Altri tipi di utilizzo, o un uso al di fuori della portata indicata, non corrispondono all'uso previsto dal produttore e, pertanto, il produttore non sarà ritenuto responsabile per eventuali danni che ne derivano.

La durata della batteria, e quindi l'autonomia stimata in km, può variare notevolmente a seconda del tipo di utilizzo e delle influenze esterne. Si prega pertanto di considerare i seguenti fattori, che sono particolarmente influenti: peso dell'utente, frequenza di pedalata, livello di assistenza selezionato sul display, velocità media, spessore e usura del battistrada, pendenza e superficie stradale, condizioni atmosferiche.

## Ambiente di utilizzo

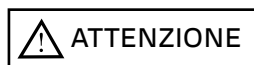
La bicicletta a pedalata assistita può essere utilizzata all'aperto, in assenza di condizioni climatiche avverse (pioggia, grandine, neve, vento forte, ecc.).

Temperatura massima consentita: + 40°C

Temperatura minima consentita: + 0°C

Umidità massima consentita: 80%

L'ambiente di utilizzo deve avere una superficie asfaltata piatta e compatta, senza rugosità, buche o depressioni e senza ostacoli e macchie d'olio. Inoltre, il luogo di utilizzo deve essere illuminato, sia dal sole che da luci artificiali, in modo da garantire una corretta visibilità del percorso e dei comandi della bicicletta a pedalata assistita (si raccomanda un'illuminazione compresa tra 300 e 500 lux).



## Ambienti di utilizzo vietati

La bicicletta a pedalata assistita non deve essere usata: in aree soggette a rischi di incendio o esplosione; in ambienti con un'atmosfera corrosiva e/o chimicamente attiva; in ambienti scarsamente illuminati; su terreni con una pendenza superiore al 10%; su terreni irregolari e non asfaltati.

## Usi impropri e controindicazioni

Le azioni descritte di seguito, che ovviamente non coprono l'intera gamma di possibili "usi impropri" della bicicletta a pedalata assistita, sono da considerarsi assolutamente vietate.



### Operazioni vietate

L'esecuzione di operazioni vietate invalida la garanzia.

Il produttore declina ogni responsabilità per eventuali danni a persone e cose derivanti dall'esecuzione di operazioni vietate.



### È severamente vietato:

Usare la bicicletta a pedalata assistita per scopi diversi da quelli per cui è stata costruita, cioè per trasportare passeggeri.

Usare la bicicletta a pedalata assistita in zone che presentano un rischio di esplosione.

Usare la bicicletta a pedalata assistita in condizioni climatiche avverse (pioggia battente, grandine, neve, vento forte, ecc.).

Trasportare un passeggero.

Usare la bicicletta a pedalata assistita sotto l'influenza di alcol o droghe.

Usare la bicicletta a pedalata assistita quando il proprio peso è superiore a quello consentito.

Caricare la batteria in un ambiente troppo caldo o non sufficientemente ventilato.

Coprire la batteria durante la carica.

Non fumare o utilizzare fiamme vive nell'ambiente di carica.

Transitare o fermarsi su superfici con una pendenza superiore al 10% o superfici irregolari (non asfaltate, con buche, depressioni, ostacoli, ecc.).

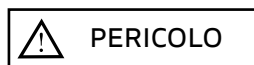
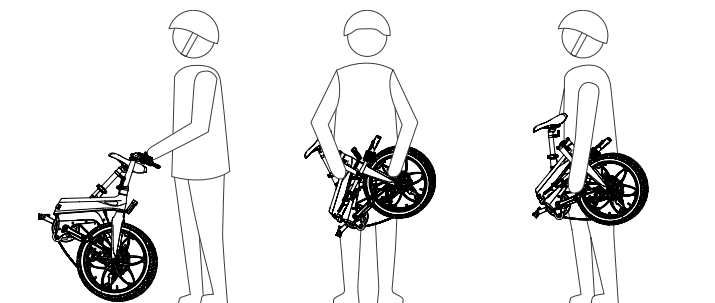
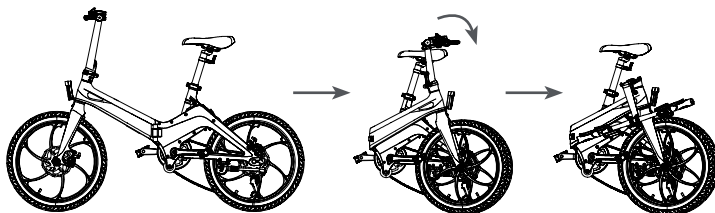
Eseguire qualsiasi intervento di manutenzione con la batteria collegata. Utilizzare pezzi di ricambio non originali.

Inserire gli arti o le dita tra le parti mobili della bicicletta.

È assolutamente vietato alzare il reggisella oltre il limite di 10 cm per evitare di rompere il telaio.



## 5. Sollevamento e trasporto



### Schiacciamento e impatto

Durante il sollevamento, è necessario prestare la massima attenzione per evitare di causare eventuali danni a persone e cose.

Il produttore non è responsabile di eventuali rotture dovute al sollevamento e/o al trasporto della bicicletta a pedalata assistita dopo la consegna.

Il peso della bicicletta a pedalata assistita è di circa 21 kg, per cui si consiglia il sollevamento da parte di due persone adulte.

### Trasporto

Per garantire la massima sicurezza durante il trasporto nei furgoni, è necessario evitare che la bicicletta a pedalata assistita si sposti. Per fare ciò, appoggiarla sul supporto e legarla con cinghie o cavi di ancoraggio in buone condizioni.

A tal fine, i dispositivi di fissaggio devono essere installati in modo tale da non danneggiare il telaio e altre parti della bicicletta.

## 6. Messa in strada

### Ricarica della batteria

Prima di utilizzare la bicicletta per la prima volta, è necessario caricare completamente la batteria per almeno 4-6 ore, utilizzando il caricabatterie in dotazione.

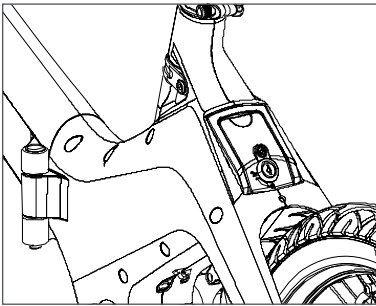
La bicicletta è alimentata da una batteria agli ioni di litio da 36V.

Il tempo medio di ricarica è di circa 4-6 ore. Le batterie sono del tipo al litio.

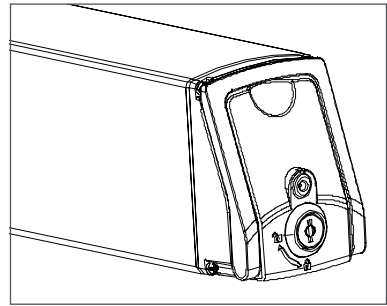
Per prolungare il più possibile la vita della batteria, si raccomanda di effettuare una carica completa ogni trenta giorni, anche se la bicicletta non viene utilizzata.

Si raccomanda, inoltre, di caricare la batteria con l'apposito caricabatterie dopo ogni utilizzo della bicicletta a pedalata assistita.

**Durante la carica, la luce rossa del caricatore si accende; una volta completata la carica, la luce rossa si spegne e si accende la luce verde.**



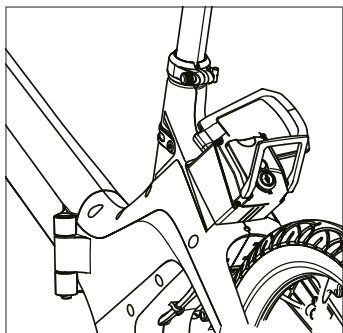
Opzione di carica 1: aprire il tappo di gomma della porta di ricarica e caricare.



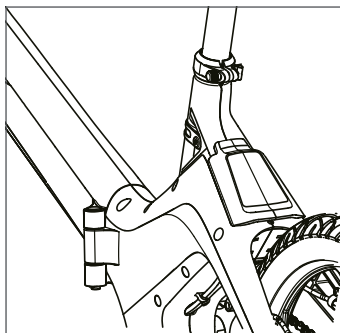
Opzione di carica 2: caricare la batteria rimuovendola dalla bicicletta; utilizzare le chiavi in dotazione per sbloccarla, ed estrarre la batteria.

E' possibile ricaricare la batteria in modo diretto utilizzando il carica batterie in dotazione.

## Disinstallare e installare la batteria



1. Spegner il veicolo, sbloccare la batteria, quindi estrarre la scatola della batteria afferrando la maniglia di sollevamento, come raffigurato nell'immagine.



2. Per installare la batteria, bloccare la batteria con la chiave e togliere la chiave, abbassare completamente la maniglia della batteria e aprire il telaio della bicicletta.



**PERICOLO**

### Precauzioni durante la carica

Collegare sempre prima la spina alla batteria e poi la spina di alimentazione alla rete elettrica.

Una volta completata la carica, scollegare sempre prima la spina dalla rete e poi la spina dalla batteria.

Caricare sempre completamente la batteria.

Usare sempre alimentatori originali.

Non lasciare la batteria in carica per più di 16 ore.

Effettuare sempre la ricarica in una zona ventilata.

Non ricaricare la batteria in ambienti troppo caldi.

Non ricaricare la batteria in prossimità di liquidi infiammabili.

Non coprire in alcun modo la batteria mentre è in carica.

Se la batteria emette un cattivo odore, scollegarla immediatamente dall'alimentazione e ventilare l'ambiente, senza toccare la batteria.

Conservare la batteria in un luogo fresco e asciutto in caso di inutilizzo.

## Messa in strada

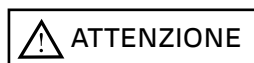
Prima di utilizzare la bicicletta a pedalata assistita, per garantire una efficiente messa su strada del prodotto, si consiglia di controllare attentamente ogni parte e provvedere ad adeguato intervento di regolazione delle relative componenti meccaniche, direttamente od avvalendosi del supporto di operatori specializzati, si vedano: regolazione e serraggio manubrio ed attacco manubrio, regolazione e serraggio sella e reggisella, regolazione freni, regolazione cambio, verifica pressione pneumatici, lubrificazione catena ed ingranaggi, verifica corretto serraggio viti di fissaggio e controllo generale che tutte le parti siano in ordine. Si consiglia a di eseguire la messa in strada da personale qualificato.

## Ruote

Controllare la pressione di gonfiaggio dei pneumatici, facendo riferimento ai valori riportati sulla spalla di ciascun pneumatico. Controllare lo stato di usura della gomma: non devono esserci tagli, crepe, corpi estranei, rigonfiamenti anomali, tele esposte e altri danni.

## Sistema frenante

Controllare il funzionamento dei freni eseguendo una prova di frenata a bassa velocità (massimo 6 km/h) in una zona priva di ostacoli, utilizzando prima il freno posteriore e poi quello anteriore.



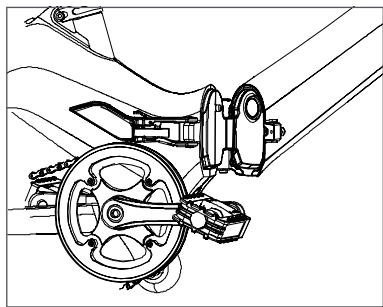
## Controllo con risultati negativi

Nel caso in cui si riscontrino difetti di qualsiasi tipo durante i controlli preliminari e anche un solo controllo abbia risultati negativi, **non utilizzare la bicicletta a pedalata assistita.**

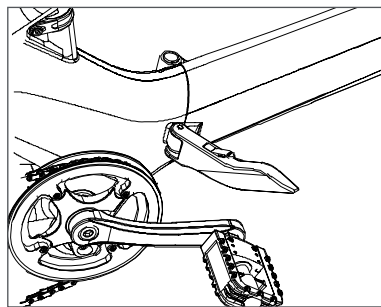
Attuare immediatamente tutte le misure necessarie per eseguire una regolazione adeguata e, se necessario, contattare il Servizio Assistenza.

## 7. Assemblaggio

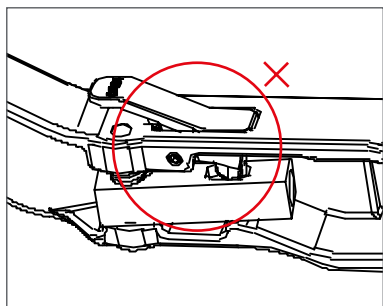
### Apertura della bicicletta



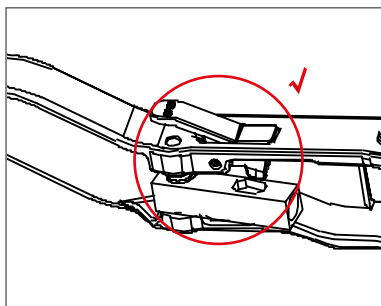
1. Afferrare il corpo del veicolo e aprire il telaio.



2. Come illustrato nell'immagine, bloccare saldamente il morsetto di fissaggio di apertura; eseguire completamente i passaggi 3) e 4) prima di bloccare il morsetto.

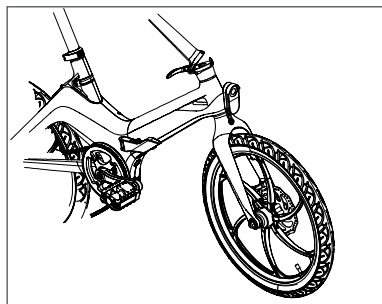


3. Se l'elemento di fissaggio si presenta come nell'immagine, è necessario premerlo verso il basso per liberare il pezzo convesso.

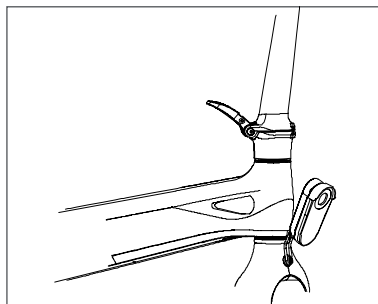


4. Se l'elemento di fissaggio si presenta come nell'immagine, è possibile eseguire il passaggio 2) per bloccare il telaio.

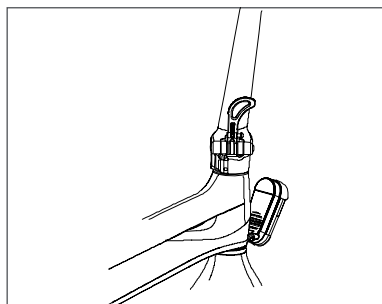
## Apertura dell'asta del manubrio



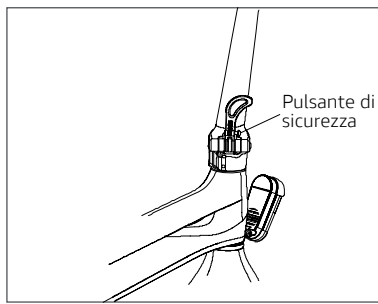
1. Afferrare il corpo della bicicletta e ruotare l'asta del manubrio per portarla in posizione verticale, assicurandosi che l'asta del manubrio sia collegata saldamente alla parte inferiore.



2. Stringere la leva di chiusura, spingendola verso l'asta del manubrio.



3. Scuotere leggermente l'asta del manubrio e verificare che il gancio di sicurezza si agganci completamente.



4. Durante l'apertura dell'asta del manubrio, è necessario dapprima premere il perno di sicurezza e poi aprire la leva di sicurezza e poi aprire la chiave di chiusura.

## Montaggio del manubrio



1. Utilizzare la chiave a brugola in dotazione per allentare le viti dell'attacco manubrio anteriore e rimuovere il morsetto.

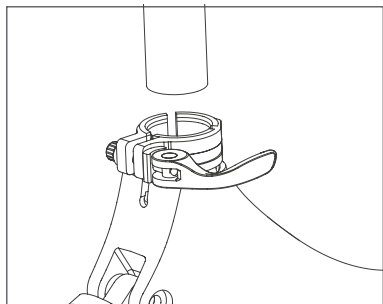


2. Posizionare con cura il morsetto sul centro del manubrio e utilizzare la chiave in dotazione per stringere le viti

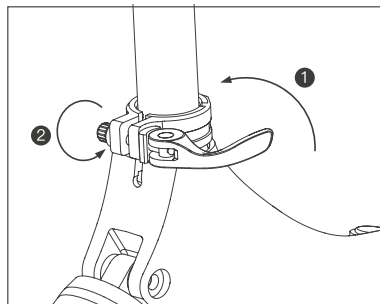


3. Controllare il manubrio se posizionato e serrato in modo corretto prima di mettersi in strada.

## Installazione della sella

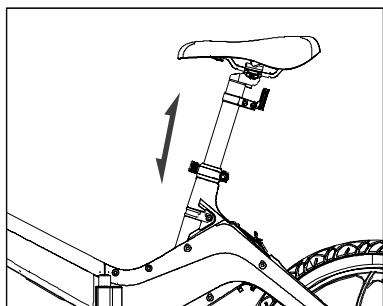


1. Allentare il morsetto del reggisella, tenere ferma la bicicletta, inserire il reggisella nel telaio.



2. Regolare la vite, stringere il morsetto, quindi provare a spingere la sella inclinandola, per assicurarsi che il reggisella sia abbastanza stretto e non ruoti o si muova su e giù.

## Regolazione dell'altezza della sella



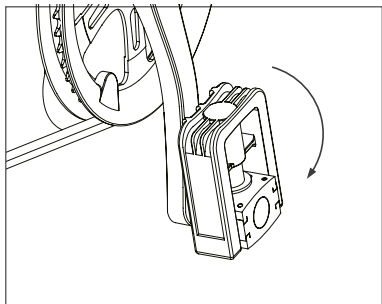
1. Per regolare l'altezza della sella, innanzitutto allentare il morsetto del reggisella, quindi portare il piantone all'altezza desiderata e, infine, stringere nuovamente il morsetto del reggisella.



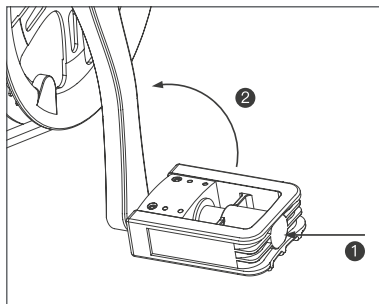
2. L'altezza della sella non deve superare il limite minimo di sicurezza dell'altezza indicato sull'inserto.



## Apertura e chiusura dei pedali

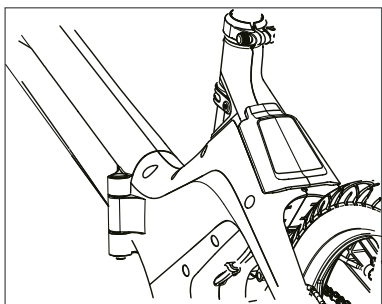


1. Afferrare il corpo del pedale e ruotarlo verso l'esterno.



2. Premere il pedale verso la pedivella e ruotarlo verso l'interno.

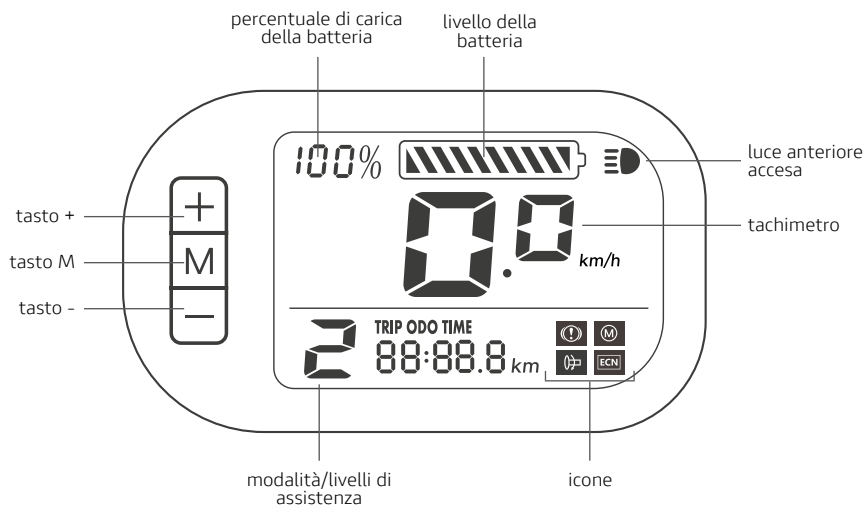
## Accensione



1. Caricare la batteria prima di utilizzare la bicicletta per la prima volta.

NB: Una volta completata la carica, si raccomanda di coprire la spina per evitare che l'acqua penetri nella porta di carica.

## 8. Display LCD



### Funzioni dei pulsanti:

**Tasto M** : tasto multifunzione, premere per 3 secondi per accendere/spegnere la bicicletta; premere brevemente per passare alla visualizzazione dei chilometri del singolo viaggio, dei chilometri totali e del tempo di funzionamento.

**Tasto +** : premere per 3 secondi per accendere/spegnere la luce anteriore.

**Tasto +** : premere brevemente per aumentare il livello di assistenza.

**Tasto -** : premere brevemente per ridurre il livello di assistenza.



L'indicatore della batteria è pieno al completamento di carica della batteria. Questo scende di livello man mano che si utilizza la bicicletta a pedalata assistita. Si possono vedere delle oscillazioni nel livello di carica a seconda dell'uso. Per esempio, se si affronta una salita, il livello dell'indicatore batteria può scendere rapidamente in quanto si ha un consumo molto più elevato della batteria.

**Per un buon uso e manutenzione della batteria si consiglia di caricare completamente la batteria dopo ogni utilizzo.**

## Significato delle icone:



Indica che la luce anteriore è accesa



Indica che il freno è in funzione



Indica che l'acceleratore non funziona correttamente



Indica che il motore non funziona correttamente



Indica che il controller non funziona correttamente

## TRIP ODO TIME

88:88.8

Passa dai chilometri del singolo viaggio ai chilometri totali o al tempo di funzionamento

## 9. Configurazione del display

1. Premere + e - contemporaneamente per 3 secondi per accedere al menù impostazioni P0.
  2. Per ripristinare le impostazioni di fabbrica premere + per circa 30 secondi in P0.
- Se eseguito correttamente uscirà automaticamente dalla modalità di impostazione.



3. Per scegliere l'unità di misura Km/h - MPH:

A. Premere il tasto M e passare da P0 a P1

B. In P1, premere +/- per cambiare Km/h - MPH. 0=Km/h, 1=Mph

C. Premere + e - allo stesso tempo per uscire dalla modalità di impostazione, dopo 15 secondi di inattività uscirà automaticamente dalla modalità di impostazione.



#### 4. Regolare il tachimetro:

A. Premere il pulsante M e passare P0 a P2. P2 può solo regolare leggermente la velocità mostrata nel display, non può cambiare la velocità reale.

B. Premere +/- per cambiare i dati. L'impostazione corretta è 15,6 per ruote da 16 pollici, 18,5 per ruote da 20 pollici. Più alto è il numero, più alta è la velocità sul display (non cambia la velocità reale)



## 10. Istruzioni per la manutenzione

**Tutte le operazioni di manutenzione devono essere effettuate con il sistema spento, la batteria scollegata e la bicicletta appoggiata sul cavalletto.**

Dopo ogni operazione di manutenzione ordinaria, si raccomanda di eseguire un controllo per verificare il perfetto funzionamento di tutti i comandi.

Il presente manuale non approfondisce lo smontaggio e la manutenzione straordinaria, in quanto queste operazioni devono sempre essere eseguite esclusivamente dal personale del Servizio Assistenza del rivenditore autorizzato Ducati Urban e-Mobility.

Il Servizio Assistenza è in grado di fornire tutte le informazioni necessarie e di rispondere a tutte le domande riguardanti la cura e la manutenzione della bicicletta a pedalata assistita.



### Controllo con risultati negativi

- Se anche un solo controllo fornisce un risultato negativo, **non usare la bicicletta a pedalata assistita.**
- Adottare immediatamente tutte le misure necessarie per eseguire una riparazione adeguata e, nel caso, contattate il Servizio Assistenza del rivenditore.

### Lavaggio

La pulizia della bicicletta a pedalata assistita non è solo una questione di decoro, ma permette anche di individuare immediatamente qualsiasi difetto della bicicletta.

Per non danneggiare o compromettere il funzionamento dei vari componenti, in particolare le parti elettriche, la pulizia deve essere effettuata adottando alcune precauzioni. È assolutamente vietato dirigere getti d'acqua ad alta pressione verso le parti elettriche, il motore, il display e la batteria, per i quali si raccomanda di eseguire un lavaggio con una spugna.

Prima di avviare la bicicletta a pedalata assistita, asciugare completamente con un panno o con della carta, facendo attenzione a non graffiare i componenti verniciati. Evitare l'uso di aria compressa, specialmente a distanza ravvicinata e ad alta pressione. Controllare che non ci siano residui di umidità sui componenti elettrici.

### Lubrificazione della catena

È importante lubrificare regolarmente la catena, per evitare un'usura eccessiva e prolungarne la vita utile.

1. Pulire l'intera lunghezza delle maglie della catena con uno straccio.
2. Spruzzare tutte le maglie della catena con uno spray lubrificante specifico per le catene di trasmissione.

## Controllo delle parti della bicicletta

Il telaio portante della bicicletta a pedalata assistita e le saldature devono essere prive di difetti visibili, come ad esempio crepe, deformazioni, incisioni, corrosione, ecc.

Assicurarsi che tutti i bulloni e i pedali della bicicletta a pedalata assistita siano ben stretti.

Controllare che la batteria sia in buono stato e sia fissata correttamente, che i manicotti dei cavi elettrici siano in buone condizioni e i terminali siano ben serrati e non corrosi.

Controllare lo stato di carica della batteria utilizzando l'indicatore sul display del manubrio.

Per un uso corretto della batteria della bicicletta a pedalata assistita (EPAC), si raccomanda di caricare sempre la batteria dopo ogni utilizzo della bicicletta.

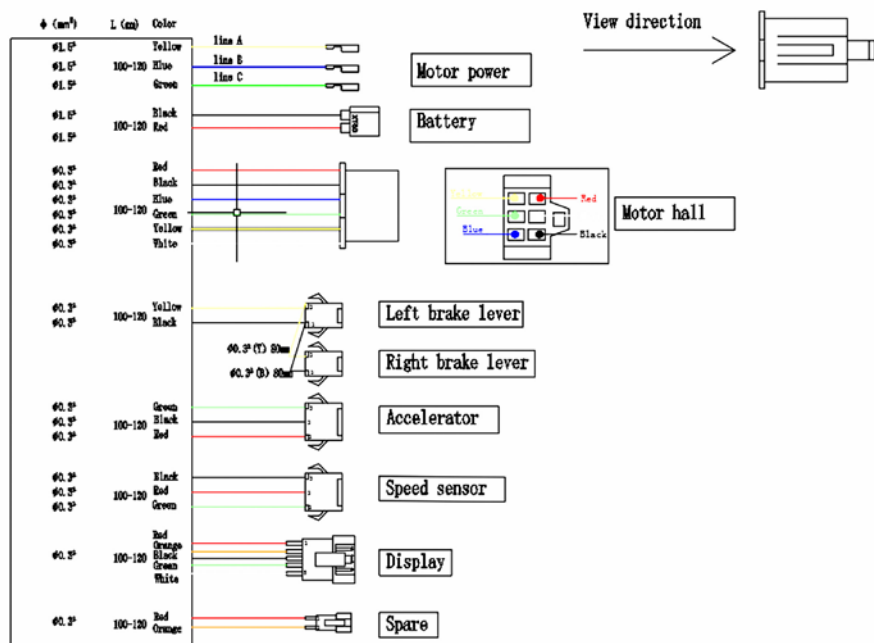
Utilizzando la valvola di gonfiaggio sui cerchioni, controllare la pressione di gonfiaggio dei pneumatici utilizzando un compressore e una pistola con manometro, oppure una pompa da officina.

Controllare lo stato del battistrada, del cerchio e il fissaggio dei cerchi sui mozzi. Se è necessario sostituire i pneumatici, contattare il Servizio Assistenza o un rivenditore di pneumatici qualificato.

I freni devono essere regolati in modo da garantire una frenata efficace e, allo stesso tempo, le leve di comando devono avere un gioco sufficiente per potere modulare la frenata; in altre parole, i freni non devono essere né troppo lenti né troppo stretti.





# 11. Diagramma connessioni

## 250W Controller





## 12. Risoluzione dei problemi

Indicazioni del Display	Causa	Soluzione
Spia del freno 	Indica quando il freno è in uso	/
	La leva del freno non ritorna in posizione	Premere la leva per alcune volte per farla tornare in posizione. Sostituire la leva del freno.
	Non accelera	/
Spia dell'acceleratore 	Il cavo dell'acceleratore, l'acceleratore o le connessioni sono danneggiati	Sostituire il cablaggio
	I connettori tra l'acceleratore e il controller non sono ben collegati	Ripristinare il collegamento
Spia del motore 	Il motore non funziona	Sostituire il motore
	I cavi del motore sono danneggiati	Sostituire il cablaggio
	Il motore non è collegato o è collegato in modo errato	Ripristina il collegamento
Spia della centralina 	La centralina è guasta	Sostituire la centralina

## 13. Batteria (Avvertenze)

### Indicatore della batteria

L'indicatore della batteria è al massimo quando la batteria della bicicletta a pedalata assistita è completamente carica. L'indicatore della batteria scende di livello man mano che la bicicletta a pedalata assistita viene utilizzata. L'indicatore della batteria può visualizzare un diverso livello di carica a seconda dell'uso della bicicletta a pedalata assistita; ad esempio, se si è in pendenza, il livello dell'indicatore della batteria può scendere rapidamente poiché si consuma molto di più la potenza della batteria della bicicletta a pedalata assistita.

Per un uso e una manutenzione ottimali della batteria, si raccomanda di caricarla completamente dopo ogni utilizzo della bicicletta elettrica.

Accertarsi che la bicicletta a pedalata assistita, il caricabatterie e la porta di ricarica siano asciutti.

Quando la batteria della bicicletta a pedalata assistita è completamente carica, la luce LED sul caricabatteria passa da rosso (in carica) a verde (carica completata).

Utilizzare solo il caricabatterie originale. Altri caricabatterie danneggiano il dispositivo e comportano altri rischi potenziali.

La batteria non deve essere caricata per periodi prolungati. Il sovraccarico riduce la durata della batteria e altri rischi potenziali.

Caricare la batteria in un ambiente asciutto, lontano da materiali infiammabili (ad esempio materiali che potrebbero esplodere in fiamme), preferibilmente a una temperatura interna di 15-25 °C, ma mai inferiore a 0 °C o superiore a + 45 °C.

Non caricare alla luce diretta del sole o vicino a fonti di calore.

Non lasciare mai la batteria incustodita durante la ricarica. Rischio di incendi! Non collegare mai la presa di ricarica con oggetti metallici.

Leggere le sezioni sulla ricarica per maneggiare correttamente la batteria.

Tenere la batteria lontana da fiamme libere o altre fonti di calore per evitare il surriscaldamento della batteria.

Non lasciare la batteria esposta a temperature gelide. Il caldo e il freddo eccessivi possono entrambi scaricare la batteria.

Evitare di scaricare completamente la batteria.

È meglio ricaricare la batteria mentre è ancora carica. Ciò prolunga la durata della batteria.

Accertarsi che la batteria sia caricata a intervalli regolari, anche se non si utilizza la bicicletta a pedalata assistita per un periodo prolungato. In questo modo si evitano danni alla batteria causati da bassa tensione per un periodo prolungato.

### **Precauzioni per la batteria:**

La batteria è composta da celle agli ioni di litio ed elementi chimici pericolosi per la salute e l'ambiente. Non utilizzare la bicicletta a pedalata assistita se emette odori, sostanze o calore eccessivo. Non smaltire la bicicletta a pedalata assistita o la batteria insieme ai rifiuti domestici. L'utente finale è responsabile dello smaltimento delle apparecchiature elettriche ed elettroniche e delle batterie in conformità con tutte le normative in vigore.

### **Da non fare:**

Aprire o smontare la batteria o colpire, lanciare, forare o attaccare oggetti alla batteria. Toccare eventuali sostanze fuoriuscite dalla batteria, poiché contiene sostanze pericolose. Lasciare che bambini o animali tocchino la batteria.

Sovraccaricare, sovra scaricare o mandare in cortocircuito la batteria. Immergere o esporre la batteria all'acqua o ad altre sostanze liquide. Esporre la batteria a calore o freddo eccessivi.

Esporre la batteria a un ambiente contenente gas esplosivi o fiamme.

Lasciare la batteria sotto la pioggia o la luce diretta del sole o in auto calde alla luce diretta del sole. Riasssemblare o rimontare la batteria.

Trasportare o conservare la batteria insieme a oggetti metallici come forcine, collane, ecc. Guidare la bicicletta a pedalata assistita durante la ricarica.

Utilizzare qualsiasi altro caricabatterie diverso dall'originale.

## 14. Specifiche tecniche

### Informazioni generali

Ruote	20 "X 2.125" con banda riflettente
Cerchioni	in magnesio a 6 razze
Freni	a disco meccanici
Cambio	SHIMANO 6 rapporti
Forcella anteriore	magnesio
Guarnitura	corona 44T - 6 pignoni (14-16-18-21-24-28T)
Pedali	in plastica, richiudibili
Telaio	in magnesio, pieghevole
Velocità max	25 km/h
Sella	modello comfort
Piantone sella	in alluminio
Manubrio	in alluminio, pieghevole
Manopole	in gomma
Parafanghi	in plastica
Cavalletto	rear, side model
Portapacchi posteriore	non incluso
Peso max supportato	110kg

### Sistema elettrico

Luci	anteriori a LED
Display	LCD con livelli di assistenza, ON/OFF luci, contachilometri con funzioni annesse
Motore	36V, 250W, IP54, posteriore
Batteria	SAMSUNG 36V, 10.5Ah, 378Wh integrata al telaio e removibile
Caricabatteria	input: 100-240V, 50-60Hz, 2.5A / output: 42V, 2.0A
Tempo di ricarica	4/5 ore
Autonomia	fino a 50 km, questo dato dipende da: livello di assistenza utilizzato, peso del ciclista, potenza muscolare applicata nella pedalata, pressione gomme, pendenza strada, numero di stop e ripartenze.

### Dimensioni e peso

Peso batteria	2.06kg
Peso senza batteria	18.47kg
Peso e-bike	20.53kg
Misure e-bike	1510 x 580 x 1070mm
Misure packaging	830 x 420 x 620mm



### **Velocità consentita**

La velocità massima consentita dalla legge è di 25 km/h.

Qualsiasi intervento non autorizzato dal produttore sulla centralina comporta l'esclusione della responsabilità dello stesso produttore per eventuali danni causati a persone e/o cose; inoltre decade la garanzia sul prodotto acquistato.

La centralina è stata programmata per non permettere di modificare il parametro della velocità massima.

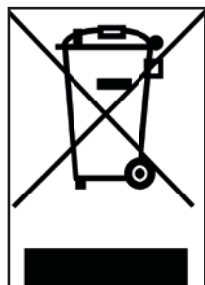


### **Rischio di lesioni**

Mantenere una velocità e un comportamento adeguati alle proprie capacità e non usare mai la bicicletta oltre i 25 km/h, poiché ciò potrebbe causare gravi danni e lesioni a se stessi o ad altre persone.



## Trattamento del dispositivo elettrico o elettronico a fine vita (applicabile in tutti i paesi dell'unione europea ed in altri sistemi europei con sistema di raccolta differenziata)



Questo simbolo sul prodotto o sulla confezione indica che il prodotto non deve essere considerato come un normale rifiuto domestico, ma deve invece essere consegnato ad un punto di raccolta appropriato per il riciclo di apparecchi elettrici ed elettronici (RAEE).

Assicurandovi che questo prodotto sia smaltito correttamente, voi contribuirete a prevenire potenziali conseguenze negative per l'ambiente e per la salute che potrebbero altrimenti essere causate dal suo smaltimento inadeguato. Il riciclaggio dei materiali aiuta a conservare le risorse naturali.

Per informazioni più dettagliate circa il riciclo e lo smaltimento di questo prodotto potete contattare il servizio locale di smaltimento rifiuti oppure il punto vendita dove lo avete acquistato.

In ogni caso occorre effettuare lo smaltimento secondo la normativa vigente nel Paese d'acquisto.

In particolare i consumatori hanno l'obbligo di non smaltire i RAEE come rifiuti urbani, ma devono partecipare alla raccolta differenziata di questa tipologia di rifiuti attraverso due modalità di consegna:

- 1) Presso i Centri di Raccolta comunali (anche dette Eco-piazzole, isole ecologiche), direttamente o tramite i servizi di raccolta delle municipalizzate, ove questi siano disponibili;
- 2) Presso i punti di vendita di nuove apparecchiature elettriche ed elettroniche.

Qui si possono consegnare gratuitamente i RAEE di piccolissime dimensioni (con il lato più lungo inferiore a 25 cm), mentre quelli di dimensioni maggiori possono essere conferiti in modalità 1 contro 1, ovvero consegnando il vecchio prodotto nel momento in cui se ne acquista uno nuovo di pari funzioni.

In caso di smaltimento abusivo di apparecchiature elettriche o elettroniche potrebbero essere applicate le sanzioni previste dalla normativa vigente in materia di tutela ambientale (normativa Italiana, è necessario verificare le normative in essere nel paese di utilizzo/smaltimento del mezzo).

Qualora i RAEE contengano pile o accumulatori, questi devono essere rimossi e soggetti ad una specifica raccolta differenziata.



## Trattamento delle pile esauste (applicabile in tutti i paesi dell'unione europea ed in altri sistemi europei con sistema di raccolta differenziata)



Questo simbolo sul prodotto o sulla confezione indica che la pila-batteria non deve essere considerato un normale rifiuto domestico. Su alcuni tipi di pile questo simbolo potrebbe essere utilizzato in combinazione con un simbolo chimico.

I simboli chimici del Mercurio (Hg) o del Piombo (Pb) sono aggiunti se la batteria contiene più dello 0,0005% di mercurio o dello 0,004% di piombo.

Assicurandovi che le pile-batterie siano smaltite correttamente, voi contribuirete a prevenire potenziali conseguenze negative per l'ambiente e per la salute che potrebbero altrimenti essere causate dal loro smaltimento inadeguato. Il riciclaggio dei materiali aiuta a conservare le risorse naturali. In caso di prodotti che, per motivi di sicurezza, prestazione o protezione dei dati richiedano un collegamento fisso ad una pila/batteria interna, la stessa dovrà essere sostituita solo da personale di assistenza qualificato.

Consegnare il prodotto a fine vita a punti di raccolta idonei allo smaltimento di apparecchiature elettriche ed elettroniche: questo assicura che anche la pila al suo interno venga trattata correttamente.

Per informazioni più dettagliate circa lo smaltimento della pila-batteria esausta o del prodotto, potete contattare il servizio locale di smaltimento rifiuti oppure il punto vendita dove lo avete acquistato.

In ogni caso occorre effettuare lo smaltimento secondo la normativa vigente nel Paese d'acquisto.

## 15. Termini di garanzia

Tutti i prodotti sono coperti da garanzia legale di conformità prevista dalla Direttiva 2011/83/UE.

La Garanzia Legale è riservata ai consumatori. Essa, pertanto, trova applicazione esclusivamente agli utenti che hanno effettuato l'acquisto dei Prodotti per scopi estranei all'attività imprenditoriale, commerciale, artigianale o professionale eventualmente svolta.

A coloro che hanno acquistato i Prodotti e che non rivestano la qualità di consumatori saranno invece applicate le garanzie per i vizi della cosa venduta, la garanzia per difetto di qualità promesse ed essenziali e le altre garanzie previste dal codice civile con i relativi termini, decadenze e limitazioni.

Il venditore (e, dunque, per quanto riguarda gli acquisti dei Prodotti, il Rivenditore che ha venduto all'utente il Prodotto) è responsabile nei confronti del consumatore per qualsiasi difetto di conformità esistente al momento della consegna del prodotto e che si manifesti entro due anni da tale consegna. Il difetto di conformità deve essere denunciato al venditore, a pena di decadenza dalla garanzia, nel termine di due mesi dalla data in cui è stato scoperto.

Salvo prova contraria, si presume che i difetti di conformità che si manifestano entro i sei mesi dalla consegna del prodotto esistessero già a tale data, a meno che tale ipotesi sia incompatibile con la natura del prodotto o con la natura del difetto di conformità. A partire dal settimo mese successivo alla consegna del prodotto, sarà invece onere del consumatore provare che il difetto di conformità esisteva già al momento della consegna dello stesso.

Per poter usufruire della Garanzia Legale, l'acquirente deve quindi fornire innanzitutto prova della data dell'acquisto e della consegna del bene. È pertanto opportuno che l'acquirente, a fini di tale prova, conservi qualsiasi documento che possa attestare la data di effettuazione dell'acquisto e la data della consegna (per esempio: lo scontrino, la fattura, l'email di conferma ordine).

Sono esclusi dal campo di applicazione della Garanzia Legale dei Prodotti eventuali guasti o malfunzionamenti causati da fatti accidentali e/o ascrivibili a responsabilità dell'Acquirente ovvero da un uso del Prodotto non conforme alla sua destinazione d'uso e/o a quanto previsto nella documentazione tecnica allegata al Prodotto, ovvero dovuti a mancata regolazione delle parti meccaniche, naturale usura dei materiali logorabili o causati da errori di assemblaggio, carenza di manutenzione e/o da utilizzo dello stesso non conforme alle istruzioni.

Sono, per esempio, da considerarsi esclusi dalla Garanzia Legale relativa ai Prodotti:

- i danni causati da urti, cadute accidentali o collisioni, forature;
- i danni causati da utilizzo, esposizione o rimessaggio in ambiente non adeguato (es: presenza di pioggia e/o fango, esposizione all'umidità o fonte di calore eccessiva, contatto con la sabbia o con altre sostanze
- i danni causati da mancata regolazione per messa in strada e/o manutenzione di parti meccaniche, freno a disco meccanico, manubrio, pneumatici ecc.;



- l'errata installazione e/o l'errato assemblaggio di parti e/o componenti, fatto salvo il caso in cui l'installazione e/o l'assemblaggio siano stati effettuati dal venditore o sotto la sua responsabilità e/o esse siano state effettuate dal consumatore ma l'errore nella installazione e/o assemblaggio sia imputabile a carenza delle istruzioni di installazione;
- la naturale usura dei materiali logorabili: freno a disco meccanico (es: pastiglie, pinze, disco, cavi), pneumatici, pedane, guarnizioni, cuscinetti, luci led e lampadine, cavalletto, manopole, parafanghi, parti in gomma (pedana), cablaggi dei connettori dei cavi, mascherine e adesivi, ecc.;
- la manutenzione impropria e/o l'uso improprio della batteria del Prodotto;
- la manomissione e/o la forzatura di parti del Prodotto;
- la manutenzione o la modificazione scorretta o non adeguata del Prodotto;
- l'utilizzo improprio del Prodotto (es: carico eccedente, uso in competizioni e/o per attività commerciali di affitto o noleggio);
- manutenzioni, riparazioni e/o interventi tecnici sul Prodotto effettuati da soggetti terzi non autorizzati;
- danni ai Prodotti derivanti dal trasporto, ove effettuato a cura dell'Acquirente;
- danni e/o difetti derivanti dall'uso di parti di ricambio non originali.

Nel caso in cui un Prodotto acquistato, nel corso del periodo di validità della Garanzia Legale, manifesti quello che potrebbe essere un difetto di conformità, l'Acquirente deve contattare il venditore che dovrà effettuare le verifiche necessarie al fine di accertare la sussistenza o meno del difetto lamentato e darà tempestivo riscontro alla comunicazione del presunto difetto di conformità, indicandogli la specifica procedura da seguire, anche tenendo conto della categoria cui il Prodotto appartiene e/o del difetto denunciato.



## Dichiarazione di conformità

M.T. Distribution S.r.l.

Indirizzo: Via Bargellino 10, 40012 Calderara di Reno (BO), Italia

La presente dichiarazione di conformità è rilasciata sotto la responsabilità esclusiva del Fabbricante

Marca del prodotto	Ducati
Modello	MG-20
Tipo di prodotto	Bici elettrica
Rating	Prodotto: DC 36V, 250W

È conforme ai requisiti delle Direttive del Consiglio per il ravvicinamento delle legislazioni degli Stati Membri relative al

EU Council Directive 2014/30/EU Electromagnetic Compatibility

EU MD 2006/42/EC

Test Standards:

EN 15194: 2017

EN 55014-1: 2017

EN 61000-3-2: 2014

EN 61000-3-3: 2013

EN 55014-2: 2015

Fabbrica: ONEBOT CYCLES Sp.zo.o

Indirizzo fabbrica: **Prologis Park Wrocław 1, edificio DC 1 A, Magazynowa 1 strada, 55-040 Bielany Wrocławskie, Polonia**

Date: 07/01/2020

Fascicolo tecnico disponibile presso la sede centrale dell'UE

Luogo della dichiarazione: Bologna, Italia

Nome e cognome: Alessandro Summa

Posizione: CEO

MT Distribution S.r.l.

Via Bargellino 10, 40012, Calderara di Reno (BO), Italia

Persona autorizzata: Alessandro Summa

Posizione: CEO

### NOTA:

Questa dichiarazione di conformità è applicabile solo alle bici elettriche vendute nei paesi che seguono le direttive della marcatura CE.

Alessandro Summa

**M.T. DISTRIBUTION SRL**

Via Bargellino, 10 bic

40012 CALDERARA DI RENO (BO)

FORM FISC. 011719840377

NON È OBBLIGATA LA QUALITÀ E

TIMBRO AZIENDALE

# **MG-20**

bicicleta eléctrica plegable

## Manual del usuario y mantenimiento

Antes de utilizar la bicicleta, esta debe ser ensamblada y revisada correctamente en todas sus partes. Cualquier daño de montaje o mantenimiento incorrecto no está cubierto por la garantía.

Para más información, soporte técnico y asistencia, contacte con su distribuidor o visite la página web [www.ducatiurbanemobility.com](http://www.ducatiurbanemobility.com)

# Contenidos

1. Prefacio
2. Advertencia de seguridad
3. Lista de embalaje
4. Descripción de la bicicleta (epac)
5. Elevación y transporte
6. Puesta en marcha
7. Inicio rápido
8. Pantalla LCD
9. Instrucciones de ajuste de la pantalla
10. Instrucciones de mantenimiento
11. Diagrama de conexiones
12. Solución de problemas
13. Batería (Advertencias)
14. Especificaciones técnicas
15. Condiciones de la garantía

# 1. Prefacio

## Descripción general

Este manual es una parte integral y esencial de la bicicleta de pedaleo asistido (EPAC) y debe ser entregado al usuario.

Antes de poner en funcionamiento la bicicleta por primera vez, es imprescindible que el usuario lea, comprenda y cumpla estrictamente las siguientes disposiciones.

El fabricante no se hace responsable de los daños a las personas y/o a los bienes o a la bicicleta de pedaleo asistido si se utiliza de forma incorrecta y no conforme a las instrucciones dadas.

Con vistas al continuo desarrollo tecnológico, el fabricante se reserva el derecho de modificar la bicicleta de pedaleo asistido (EPAC) sin previo aviso, sin que este manual se actualice automáticamente.

Recomendamos visitar la página web [www.ducatiurbanemobility.com](http://www.ducatiurbanemobility.com) donde se cargarán las actualizaciones o modificaciones de este manual.

## Servicio de Soporte Técnico

Ante cualquier problema o solicitud de aclaración, no dude en ponerse en contacto con el Servicio de Soporte Técnico de su concesionario autorizado Ducati Urban e-Mobility, que puede poner a su disposición personal cualificado y especializado, equipos específicos y recambios originales.

## Forma gráfica de las advertencias de seguridad

Los siguientes símbolos gráficos se utilizarán para identificar los mensajes de seguridad en este manual. Su función es llamar la atención del lector/usuario para garantizar el uso correcto y seguro de la bicicleta de pedaleo asistido.



### Preste atención

Resalta las normas de conducta que deben cumplirse para evitar daños en la bicicleta de pedaleo asistido y/o la aparición de situaciones de peligro.



### Riesgos residuales

Resalta la presencia de peligros que provocan riesgos residuales a los que el usuario debe prestar atención para evitar lesiones o daños materiales.

### Nota legal sobre el uso

Respete siempre el código de circulación y las normas y reglamentos relativos al tráfico aplicables a los ciclistas en el país de circulación.

## 2. Advertencia de seguridad

### Normas Generales de Seguridad



#### Uso de la bicicleta de pedaleo asistido

Cada usuario debe leer este manual de usuario y mantenimiento antes de utilizar la bicicleta por primera vez; en particular, el capítulo relativo a las instrucciones de seguridad.



#### Riesgos asociados al uso de la bicicleta de pedaleo asistido

A pesar del uso de dispositivos de seguridad, para garantizar un uso seguro de la bicicleta de pedaleo asistido, debe tener en cuenta todas las instrucciones de prevención de accidentes de este manual.

Manténgase siempre concentrado mientras conduce la bicicleta y no subestime los riesgos residuales asociados al uso de la bicicleta de pedaleo asistido.

Incluso si ya está familiarizado con el uso de las bicicletas de pedaleo asistido, debe seguir las instrucciones que se dan aquí, así como las precauciones generales que deben observarse cuando se conduce una bicicleta motorizada.

#### Responsabilidad

El Usuario debe utilizar la bicicleta de pedaleo asistido con la máxima diligencia y respetando plenamente el código de circulación y toda la pertinente normativa sobre ciclismo vigente en el país de circulación.

Asimismo, el Usuario debe mantener la bicicleta de pedaleo asistido en perfecto estado de limpieza y mantenimiento, realizar con diligencia las comprobaciones de seguridad que sean de su competencia, tal y como se describe en la sección de advertencias y recomendaciones, así como conservar toda la documentación relativa al mantenimiento de la bicicleta de pedaleo asistido.

El Usuario debe evaluar cuidadosamente las condiciones atmosféricas que puedan hacer peligrosa la utilización de la bicicleta de pedaleo asistido. Para ello, se recomienda moderar la velocidad y mantener una distancia de frenado adecuada en caso de circular en condiciones meteorológicas adversas y/o de tráfico intenso.

## Advertencias para los usuarios

- Está prohibido circular con un pasajero.
- No consuma alcohol ni drogas antes de conducir la bicicleta de pedaleo asistido.
- Este modelo de bicicleta de pedaleo asistido está diseñado y construido para ser utilizado al aire libre, en carreteras públicas o carriles habilitados para bicicletas.
- No intente forzar la bicicleta de pedaleo asistido para que rinda más de lo que ha sido diseñada.
- No conduzca nunca la bicicleta de pedaleo asistido con las piezas desmontadas.
- Evite las superficies irregulares y los obstáculos.
- Conduzca con ambas manos en el manillar.
- Sustituya las piezas desgastadas y/o dañadas, y compruebe el correcto funcionamiento de los protectores antes de utilizarla.

## Notas acerca del mantenimiento

Todas las operaciones de mantenimiento deben realizarse con la batería desconectada.

Durante cada fase de mantenimiento, los operadores deben estar equipados con el equipo de prevención de accidentes necesario.

Las herramientas utilizadas para el mantenimiento deben ser adecuadas y de buena calidad.

No utilice gasolina ni disolventes inflamables, como los detergentes, sino que utilice siempre disolventes no inflamables y no tóxicos.

Limite al máximo el uso de aire comprimido (máx. 2 bar) y protéjase con gafas con protecciones laterales.

No utilice nunca una llama desnuda como medio de iluminación cuando proceda a las operaciones de verificación o mantenimiento.

Después de cualquier procedimiento de mantenimiento o ajuste, asegúrese de que no queden herramientas o cuerpos extraños entre las partes móviles de la bicicleta de pedaleo asistido.



## Recambios originales

Utilice únicamente piezas de recambio originales de Ducati Urban e-Mobility.

El fabricante no se hace responsable de los daños o la pérdida de funcionalidad causados por el uso de accesorios y piezas no originales.

## Otras disposiciones

Lo primero que hay que hacer al empezar a utilizar la bicicleta es comprobar la presencia e integridad de las protecciones y el funcionamiento de los dispositivos de seguridad.

Si encuentra algún defecto, ¡no utilice la bicicleta de pedaleo asistido!



## Protecciones

Por lo tanto, está estrictamente prohibido modificar o retirar las protecciones de la batería, de la cadena, etc., así como las placas de advertencia e identificación.

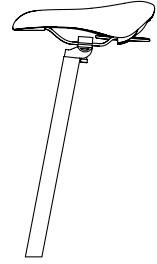
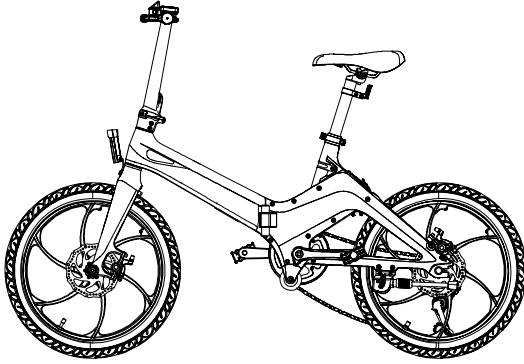
## Almacenamiento en almacén

En el caso de que la bicicleta de pedaleo asistido deba ser almacenada durante largos períodos de inactividad, deben realizarse las siguientes operaciones:

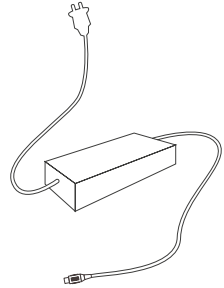
- Repararla en un lugar seco y bien ventilado.
- Realizar una limpieza general de la bicicleta de pedaleo asistido.
- Retirar la batería de su asiento.
- Dejar la bicicleta en el caballete.
- Proteger los contactos eléctricos expuestos con productos antioxidantes.
- Engrasar todas las superficies no protegidas por pinturas o tratamientos anticorrosivos.



### 3. Lista de embalaje



- Cuerpo del cuadro de la bicicleta
- Asiento + tija de sillín
- Cargador
- Luz reflectora trasera
- Llave Allen (4mm)
- Guardabarros delantero
- Guardabarros trasero
- 2 llaves de bloqueo de la batería



## 4. Descripción de la bicicleta (epac)



1. Sillín
2. Plegador de cuadros de bicicleta
3. Plegador de potencia
4. Cerradura de seguridad
5. Manillar
6. Palanca de freno
7. Luz delantera
8. Horquilla delantera
9. Freno de disco
10. Guardabarros delantero (a montar, suministrado en la caja)
11. Rueda de cadena
12. Rueda de protección de la cadena
13. Rueda de soporte
14. Pedal
15. Soporte de bicicleta
16. Desviador trasero
17. Motor
18. Guardabarros trasero (a montar, suministrado en la caja)
19. Abrazadera de la tija del sillín
20. Tija de sillín
21. Luz reflectora trasera (a ensamblar, suministrada en la caja)
22. Número de serie

## Condiciones de uso

La bicicleta de pedaleo asistido ha sido diseñada y construida para ser conducida al aire libre, en vías públicas y carriles habilitados para bicicletas, pero siempre sobre superficies asfaltadas.

Cualquier modificación del estado de construcción puede comprometer la seguridad y la estabilidad de la bicicleta de pedaleo asistido y puede provocar un accidente.

Otro tipo de uso, o un uso más allá del previsto, no se corresponde con el uso previsto por el fabricante y, por lo tanto, este ya no puede hacerse responsable de los daños resultantes.

La duración de la batería, y por tanto el kilometraje estimado en kms, puede variar considerablemente en función del tipo de uso y de las influencias externas; tenga en cuenta los siguientes factores especialmente influyentes: el peso del usuario, la frecuencia de pedaleo, el nivel de asistencia seleccionado en la pantalla, la velocidad media, el grosor y el desgaste de la banda de rodamiento, la pendiente y la superficie de la carretera, las condiciones meteorológicas.

## Ambiente de uso

La bicicleta de pedaleo asistido puede utilizarse al aire libre, en ausencia de condiciones meteorológicas adversas (lluvia, granizo, nieve, viento fuerte, etc.).

Temperatura máxima permitida: + 40°C Temperatura mínima permitida: + 0°C Humedad máxima permitida: 80%

El ambiente de uso debe tener una superficie asfaltada plana y compacta, sin rugosidades, baches o depresiones, y libre de obstáculos y manchas de aceite. Además, el lugar de uso debe estar iluminado, ya sea por el sol o por luces artificiales, para garantizar una correcta visibilidad del recorrido y de los mandos de la bicicleta de pedaleo asistido (se recomiendan de 300 a 500 lux).



## Ambientes de uso prohibidos

La bicicleta de pedaleo asistido no debe utilizarse:

en zonas con riesgo de incendio o explosión; en ambientes con atmósfera corrosiva y/o químicamente activa; en ambientes poco iluminados; en terrenos con una pendiente superior al 10%; en terrenos irregulares y sin pavimentar.

## Usos inadecuados y contraindicaciones

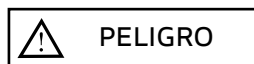
Las acciones que se describen a continuación, que obviamente no pueden cubrir todo el rango de posibilidades potenciales de "mal uso" de la bicicleta de pedaleo asistido, deben considerarse absolutamente prohibidas.



### Operaciones prohibidas

La realización de operaciones prohibidas invalida la garantía.

El fabricante declina toda responsabilidad por los daños a personas y cosas derivados de la ejecución de operaciones prohibidas.



### Está estrictamente prohibido:

Conducir la bicicleta de pedaleo asistido para fines distintos de aquellos para los que ha sido construida, es decir, para el transporte de pasajeros.

Conducir la bicicleta de pedaleo asistido en zonas con peligro de explosión.

Conducir la bicicleta de pedaleo asistido en condiciones meteorológicas adversas (lluvia torrencial, granizo, nieve, viento fuerte, etc.).

Llevar un pasajero.

Conducir la bicicleta de pedaleo asistido bajo la influencia del alcohol o las drogas.

Conducir la bicicleta de pedaleo asistido si su peso es superior al permitido. Cargar la batería en un ambiente demasiado caluroso o insuficientemente ventilado.

Cubrir la batería mientras se está cargando.

Fumar o utilizar llamas abiertas cerca de la zona de carga.

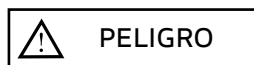
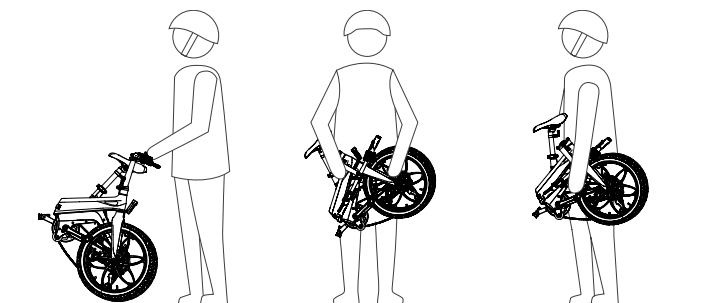
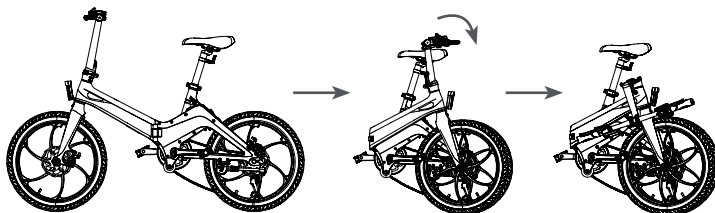
Transitar o detenerse en superficies con una pendiente superior al 10% o en superficies irregulares (sin pavimentar, con agujeros, depresiones, obstáculos, etc.).

Realizar cualquier tipo de mantenimiento con la batería conectada. Utilizar piezas de recambio no originales.

Introducir las extremidades o los dedos entre las partes móviles de la bicicleta.

Está absolutamente prohibido elevar la tija del sillín más allá del límite de 10 cm para evitar fracturas en el cuadro.

## 5. Traslados y transporte



**PELIGRO**

### Aplastamiento e impactos

Durante el levantamiento, es necesario operar con extrema precaución para evitar daños a personas y cosas.

El fabricante no se hace responsable de las roturas debidas al levantamiento y/o transporte de la bicicleta de pedaleo asistido después de la entrega.

El peso de la bicicleta de pedaleo asistido es de unos 21 kg, se aconseja que la levanten dos personas adultas.

### Transporte

Para garantizar un alto nivel de seguridad durante el transporte en furgonetas, es necesario evitar que la bicicleta de pedaleo asistido se mueva. Esto se consigue apoyándola en el soporte y atándola con correas o cables de anclaje en buen estado.

A este respecto, los dispositivos de sujeción deben instalarse de forma que no dañen el cuadro y otras partes de la bicicleta.

## 6. Puesta en marcha

### Carga de la batería

Antes de utilizar la bicicleta por primera vez, es necesario cargar la batería durante al menos 4-6 horas, hasta que la carga sea completa, utilizando el cargador de baterías suministrado.

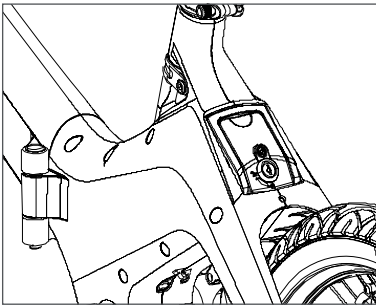
La bicicleta se alimenta de una batería de iones de litio de 36 V.

El tiempo promedio de carga es de unas 4-6 horas. Las baterías son de litio.

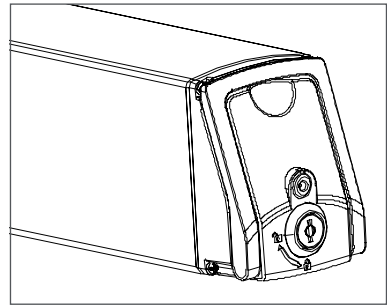
Para prolongar al máximo la vida útil de la batería, se recomienda realizar una carga completa cada treinta días, aunque no se utilice la bicicleta.

Se recomienda cargar la batería con su cargador especial después de cada uso de la bicicleta de pedaleo asistido.

**Durante la carga, la luz roja del cargador se ilumina, cuando la carga está completa, la luz roja se apaga y la luz verde se enciende.**

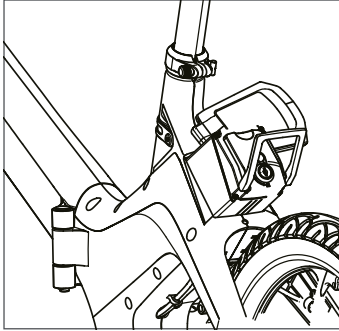


Opción de carga uno: abrir la tapa de goma del puerto de carga y cargar.

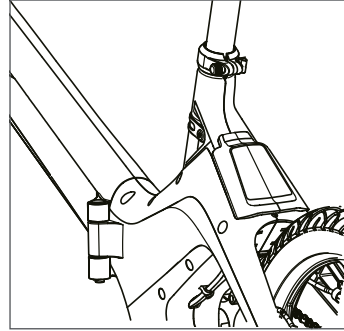


Opción de carga dos: extraer la batería y cargarla sin tener que mover la bicicleta.

## Instalar y Desinstalar la batería



1. Apague el vehículo, desbloquee la batería y luego saque la caja de la batería con el asa de elevación como se muestra en la imagen.



2. Cuando instale la batería, bloquee la batería con la llave y retire la llave, presione la manija de la batería para que quede plana, y despliegue el marco de la bicicleta.



**PELIGRO**

### Precauciones durante la carga

Conectar siempre el enchufe a la batería y luego el enchufe a la red eléctrica.

Una vez finalizada la recarga, desconectar siempre primero el enchufe de la red eléctrica y luego el de la batería.

Cargar siempre la batería por completo. Utilizar siempre fuentes de alimentación originales.

No dejar la batería cargando durante más de 16 horas. Recargar siempre en un lugar ventilado.

No recargar la batería en ambientes demasiado calientes. No recargar la batería cerca de líquidos inflamables.

No cubrir la batería de ninguna manera mientras se está cargando.

Si la batería desprende mal olor, desenchufarla inmediatamente de la red eléctrica y ventilar la habitación, no tocar la batería.

Mantener la batería en un lugar fresco y seco cuando no esté en uso.

## Poner en circulación

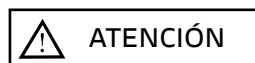
Antes de utilizar la bicicleta de pedaleo asistido, para garantizar la eficiente “puesta en circulación” del producto, se aconseja controlar cuidadosamente cada pieza y prever una adecuada intervención de ajuste de los respectivos componentes mecánicos, directamente o con el apoyo de operadores especializados, por ejemplo, ajuste y apriete del manillar y de la potencia, ajuste y apriete del sillín y de la tija, ajuste de los frenos, ajuste de la caja de cambios, comprobación de la presión de los neumáticos, lubricación de la cadena y de los engranajes, comprobación del correcto apriete de los tornillos de fijación y comprobación general de todas las piezas. Se recomienda que los servicios de puesta en circulación sean realizados por personal cualificado.

## Ruedas

Comprobar la presión de inflado de los neumáticos, tomando como referencia los valores que figuran en el hombro del neumático. Comprobar el estado de desgaste de la goma: no debe haber cortes, grietas, cuerpos extraños, hinchazones anormales, lonas expuestas y otros daños.

## Sistema de frenos

Comprobar el funcionamiento de los frenos con una prueba de frenado a baja velocidad (máx. 6 km/h) en una zona libre de obstáculos, primero con el freno trasero y luego con el delantero.



## Comprobación con resultados negativos

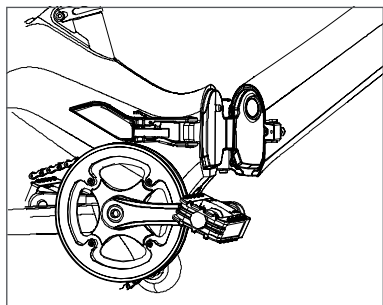
En el caso de que se encuentren defectos de cualquier tipo durante las comprobaciones preliminares e incluso una sola comprobación tenga resultados negativos, **no conduzca la bicicleta de pedaleo asistido.**

Activar inmediatamente todas las medidas para realizar un ajuste adecuado y, si es necesario, contactar con el Servicio de Asistencia Técnica

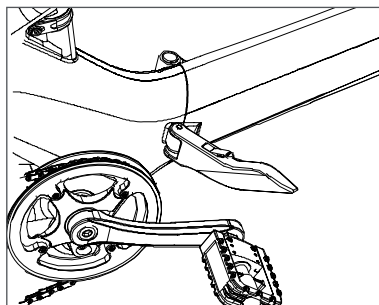


## 7. Inicio rápido

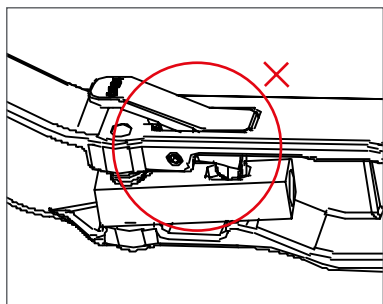
### Desplegar la bicicleta



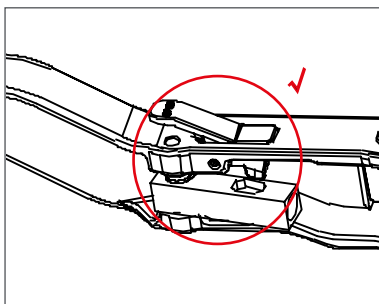
1. Sujetar la carrocería del vehículo, desplegar el cuadro.



2. Como se muestra en la imagen, bloquear la abrazadera de la plegadora firmemente, por favor termine los pasos 3) y 4) antes de bloquear la abrazadera.

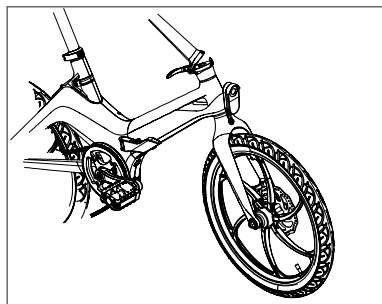


3. Si el sujetador se muestra como en la imagen, es necesario presionarlo para liberar la pieza convexa.

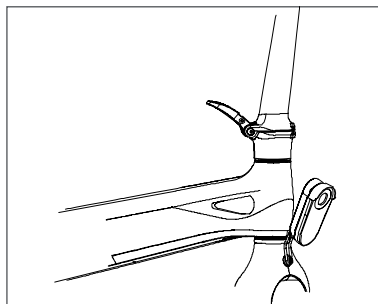


4. Si el cierre se muestra como en la imagen, entonces puede operar el paso 2) para bloquear el marco.

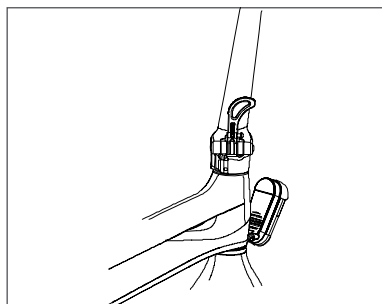
## Desplegar la potencia



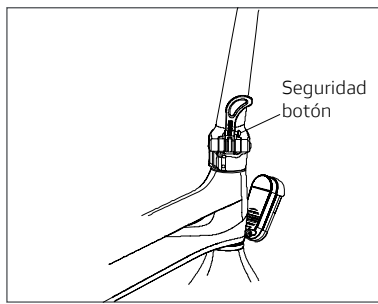
1. Sujetar el cuerpo de la bicicleta y girar la potencia en posición vertical para asegurarse de que esta se conecta perfectamente a la parte inferior.



2. Apretar la llave plegable directamente en la dirección de la potencia.



3. Agitar ligeramente la potencia y comprobar si la hebilla de seguridad está completamente abrochada.



4. Al plegar la potencia, hay que presionar la hebilla de seguridad y luego abrir la llave de plegado.

## Montar el manillar



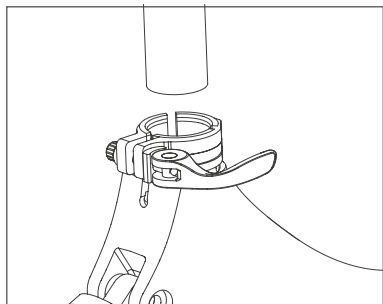
1. Utilizar la llave Allen M4 para aflojar el tornillo de la potencia delantera, y sacar la abrazadera.



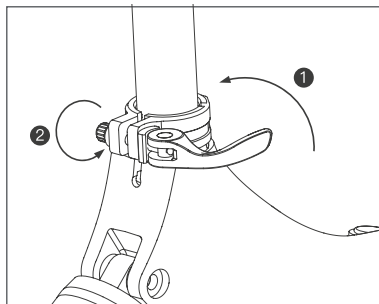
2. Colocar con cuidado la abrazadera en el centro del manillar, luego apretar los tornillos con la llave Allen M4.

3. Comprobar la resistencia y la posición correcta del manillar antes de conducir.

## Montaje de la tija del sillín

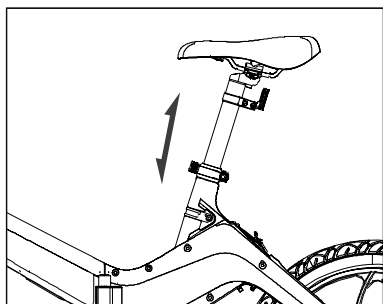


1. Aflojar la abrazadera de la tija de sillín, mantener la bicicleta estable, insertar la tija de sillín en el cuadro.

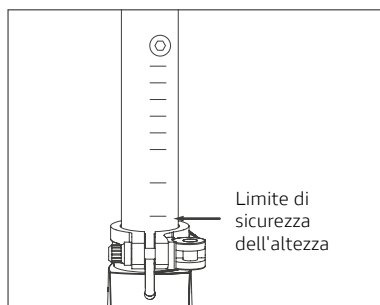


2. Ajustar el tornillo, apretar la abrazadera, luego presionar el sillín al máximo para asegurarse de que la tija de sillín quede lo suficientemente apretada y no gire o se mueva hacia arriba y hacia abajo.

## Ajuste de la altura del sillín

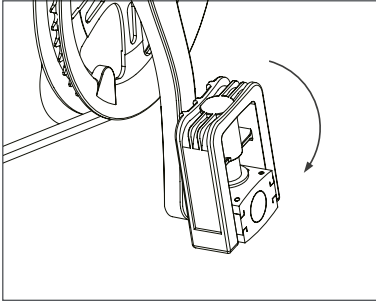


1. Cuando necesite ajustar la altura del sillín, primero afloje la abrazadera de la tija de sillín, luego muévala a la altura deseada y apriete la abrazadera sobre la misma.

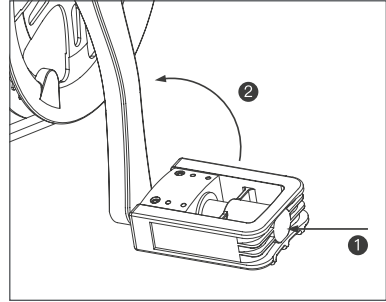


2. La altura del sillín no debe sobrepasar la línea límite de seguridad de inserción mínima.

## Desplegar y Plegar los pedales

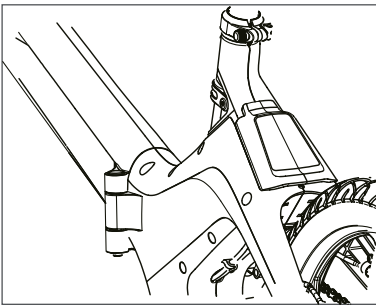


1. Sujetar la carrocería del vehículo y desplegar los pedales.



2. Presionar el pedal hacia la manivela y plegarlo.

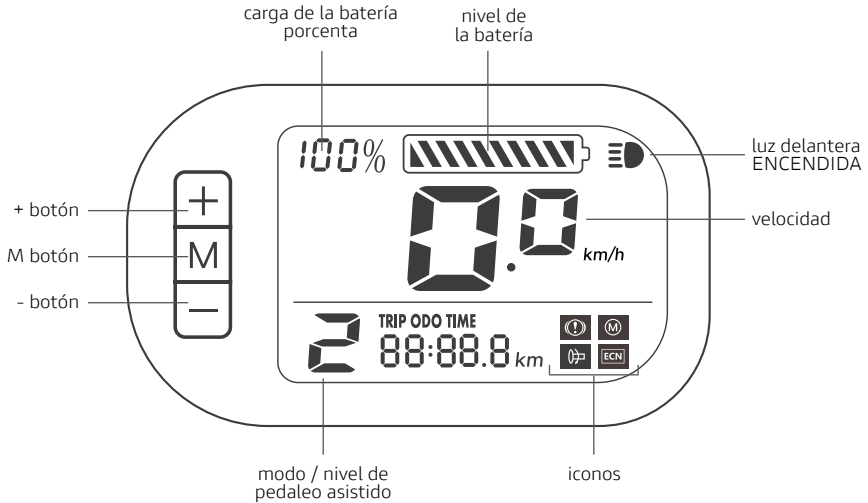
## Operación de encendido



1. Cargar la batería antes de su primer recorrido.

Nota: Cuando la carga se haya completado, por favor cubrir el enchufe para evitar la entrada de agua en el puerto de carga.

## 8. Pantalla LCD



### Funciones de los botones:

**Botón M** : botón multifuncional, pulsación larga durante 3 segundos para ENCENDER/APAGAR la bicicleta; pulsación corta para cambiar la pantalla del kilometraje de un solo recorrido, el kilometraje total y el tiempo de funcionamiento.

**Botón +** : pulsación larga durante 3 segundos para encender/apagar la luz frontal.

**Botón +** : pulsación corta para aumentar el modo de velocidad.

**Botón -** : pulsación corta para disminuir el modo de velocidad.



El indicador de batería está lleno cuando la batería de la bicicleta de pedaleo asistido está completamente cargada. El indicador de la batería baja de nivel a medida que se utiliza la bicicleta de pedaleo asistido. El indicador de la batería puede fluctuar en el nivel de carga dependiendo del uso de la bicicleta de pedaleo asistido, por ejemplo, si se encuentra en una pendiente, el nivel del indicador de la batería puede descender rápidamente al consumir mucha más energía de la batería de su bicicleta de pedaleo asistido.

**Para garantizar un uso y un mantenimiento óptimos de la batería, se recomienda cargarla completamente después de cada uso.**

## Significado de los iconos:



Indica que la luz delantera está



encendida. Indica que el freno está funcionando



Indica que el acelerador no funciona o no funciona correctamente



Indica que el motor no funciona o no funciona correctamente



Indica que el controlador no funciona o no funciona correctamente

## TRIP ODO TIME

88:88.8

Cambia entre el kilometraje de un solo recorrido, el kilometraje total y el tiempo de funcionamiento

## 9. Instrucciones de ajuste de la pantalla

1. Presionar + y - al mismo tiempo durante 3s en la interfaz de ajuste P0.
2. Restaurar la configuración de fábrica: Presionar + durante unos 30s en P0 y saldrá automáticamente del modo de ajuste.



### 3. Interruptor Km/Milla:

A. Presionar el botón M y cambie P0 a P1

B. En P1, presionar +/- para cambiar Km/Milla. 0=Km, 1=Milla

C. Presionar +&- al mismo tiempo para salir del Modo de Ajuste. O salir automáticamente del Modo de Ajuste después de 15s.





4. Ajustar ligeramente la velocidad:

A. Presionar el botón M y cambie P0 a P2

P2 solo puede ajustar ligeramente la velocidad mostrada en la pantalla, no puede cambiar la velocidad real.

B. Presionar +/- para cambiar los datos. El ajuste adecuado es 15,6 para ruedas de 16 pulgadas, 18,5 para ruedas de 20 pulgadas. Mientras más grande sea el dato, más alta será la velocidad en la pantalla (no cambiará la velocidad real).



## 10. Instrucciones de mantenimiento

**Todas las operaciones de mantenimiento deben realizarse con el sistema apagado, la batería desconectada y la bicicleta apoyada en el soporte.**

Después de cada operación de mantenimiento rutinario, se aconseja comprobar el perfecto funcionamiento de todos los controles.

Este manual no entra en detalles sobre el desmontaje y el mantenimiento no rutinario, ya que estas operaciones siempre deben ser realizadas exclusivamente por el personal del Servicio de Asistencia de su distribuidor autorizado Ducati Urban e-Mobility.

El Servicio de Asistencia Técnica está en condiciones de proporcionar toda la información necesaria y de responder a todas sus solicitudes en relación con el perfecto cuidado y mantenimiento de su bicicleta de pedaleo asistido.



### Comprobación con resultados negativos

- Si incluso una sola comprobación tiene un resultado negativo, **no conduzca la bicicleta de pedaleo asistido.**
- Tomar inmediatamente todas las medidas para realizar una reparación adecuada y, si es necesario, póngase en contacto con el Servicio de Asistencia Técnica de su distribuidor.

### Lavado

La limpieza de la bicicleta de pedaleo asistido no solo es una cuestión de estética, sino que también permite detectar inmediatamente cualquier defecto en la bicicleta.

Para no dañar o perjudicar el funcionamiento de los distintos componentes, especialmente las piezas eléctricas, la limpieza debe realizarse tomando ciertas precauciones. Está absolutamente prohibido dirigir chorros de agua a presión hacia las piezas eléctricas, el motor, la pantalla y la batería, para lo cual se recomienda el lavado con esponja.

Antes de poner en marcha la bicicleta de pedaleo asistido, séquela completamente con un paño o papel, teniendo cuidado de no rayar los componentes pintados. Evitar el uso de aire comprimido, especialmente a corta distancia y alta presión. Comprobar que no quedan restos de humedad en los componentes eléctricos.

### Lubricación de la cadena

Es importante lubricar la cadena regularmente, para evitar un desgaste excesivo y prolongar su vida útil.

1. Limpiar toda la longitud de los eslabones de la cadena con un trapo.
2. Rociar todos los eslabones de la cadena con un spray lubricante especial para cadenas de transmisión.

## **Comprobación de las piezas**

El cuadro de soporte de la bicicleta de pedaleo asistido y las soldaduras deben estar libres de defectos visibles como: grietas, deformaciones, incisiones, corrosión, etc.

Asegúrese de que todos los tornillos y pedales de la bicicleta de pedaleo asistido estén bien apretados.

Comprobar la condición y la fijación de la batería, los manguitos de los cables eléctricos deben estar en buen estado, y los bornes deben estar bien apretados y no corroídos.

Comprobar el estado de carga de la batería mediante el indicador de la pantalla del manillar.

Para un uso adecuado de la batería en su vehículo EPAC, le recomendamos que cargue siempre la batería después de cada uso de la bicicleta.

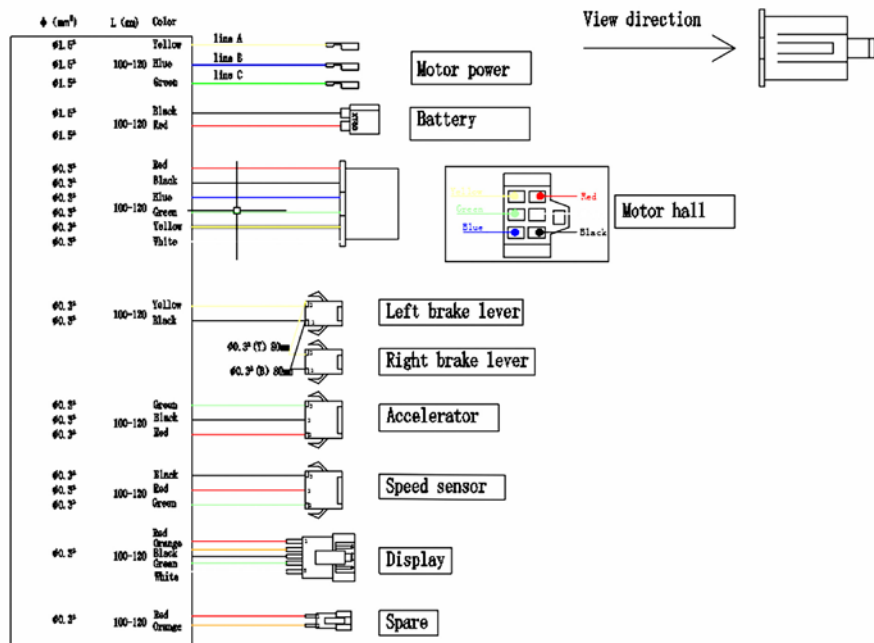
Mediante la válvula de inflado de las llantas, comprobar la presión de inflado de los neumáticos con un compresor y una pistola manométrica o una bomba de taller.

Comprobar la condición de la banda de rodadura, la llanta y la fijación de las llantas a los bujes. Si es necesario sustituir los neumáticos, póngase en contacto con el Servicio de Asistencia Técnica o con un distribuidor de neumáticos cualificado.





Los frenos deben estar ajustados de forma que se garantice una frenada eficaz y, al mismo tiempo, las palancas de mando deben tener un alcance suficiente para modular la frenada: es decir, los frenos no deben estar ni demasiado flojos ni demasiado apretados.

# 11. Diagrama de conexiones

## 250W Controller



## 12. Solución de problemas

Indicador de Pantalla	Razones	Soluciones
Freno 	Indica que el freno está conectado	/
	La palanca del freno no vuelve a su posición normal	Presione la palanca de freno algunas veces para que vuelva a su posición normal. Sustituir por una nueva palanca de freno
Fallo del acelerador 	Sin acelerador	/
	El cable del acelerador, el acelerador o el conector está roto/dañado	Sustituir por un nuevo cable, acelerador
Fallo del motor 	Los conectores entre el acelerador y el controlador no están bien conectados	Vuelva a conectar bien
	El motor no funciona	Sustituir por un motor nuevo
	Los cables o el conector están rotos/dañados	Sustituir por un cable nuevo
Fallo del controlador 	El cable del corredor del motor no está bien conectado o está mal conectado	Vuelva a conectar bien
	El controlador está roto	Sustituir por un nuevo controlador

## 13. Batería (Advertencias)

### Indicador de la Batería

El indicador de batería está lleno cuando la batería de la bicicleta de pedaleo asistido está completamente cargada. El indicador de la batería baja de nivel a medida que se utiliza la bicicleta de pedaleo asistido. El indicador de la batería puede fluctuar en el nivel de carga dependiendo del uso de la bicicleta de pedaleo asistido, por ejemplo, si se encuentra en una pendiente, el nivel del indicador de la batería puede descender rápidamente al consumir mucha más energía de la batería de su bicicleta de pedaleo asistido.

Para garantizar un uso y un mantenimiento óptimos de la batería, se recomienda cargarla completamente después de cada uso.

Asegúrese de que la bicicleta de pedaleo asistido, el cargador y el puerto de carga estén secos.

Cuando la bicicleta de pedaleo asistido está completamente cargada, la luz LED del cargador cambia de rojo (carga) a verde (carga completa).

Utilizar únicamente el cargador original. Otros cargadores pueden dañar el dispositivo y suponer otros riesgos potenciales.

La bicicleta de pedaleo asistido no debe cargarse durante períodos prolongados. La sobrecarga reduce la vida útil de la batería y puede provocar otros riesgos potenciales.

Cargar la bicicleta de pedaleo asistido en un ambiente seco y alejado de materiales inflamables (por ejemplo, materiales que puedan estallar en llamas), preferiblemente a una temperatura interna de 15–25°C, pero nunca por debajo de 0°C ni por encima de + 45°C.

No cargue la bicicleta bajo la luz directa del sol o cerca del fuego.

No cargue la bicicleta de pedaleo asistido inmediatamente después de su uso. Dejar que la bicicleta de pedaleo asistido se enfríe durante una hora antes de cargarla.

No deje nunca la bicicleta de pedaleo asistido sin vigilancia durante la carga. ¡Riesgo térmico! No conecte nunca la toma de corriente de carga de CD con objetos metálicos.

Leer las secciones de carga y almacenamiento anteriores para asegurarse de mantener y manipular la batería correctamente. Mantener la bicicleta de pedaleo asistido alejada de llamas abiertas u otras fuentes de calor para evitar que la batería se sobrecaliente. No deje la bicicleta de pedaleo asistido expuesta a temperaturas bajo cero. Tanto el calor como el frío excesivos pueden vaciar la batería.

Evite descargar completamente la batería.

Lo mejor es recargar la batería cuando todavía tiene algo de carga. Esto prolonga la vida de la batería. Cuando la carga es demasiado baja, no es posible conducir normalmente. Esto puede hacer que el conductor pierda el control o se caiga.

Asegúrese de que la batería se carga a intervalos regulares, incluso si no utiliza la bicicleta de pedaleo asistido durante un período prolongado. De este modo se evitan los daños en la batería causados por un bajo voltaje durante un periodo prolongado.

### **Precauciones de la batería:**

La batería está compuesta por celdas de iones de litio y elementos químicos peligrosos para la salud y el medio ambiente. No utilice la bicicleta de pedaleo asistido si emite olores, sustancias o calor excesivo. No deseche la bicicleta de pedaleo asistido ni la batería con la basura doméstica. El usuario final es responsable de eliminar los equipos eléctricos y electrónicos y las baterías de acuerdo con la normativa vigente.

### **Lo que hay que evitar:**

Abrir la batería o desmontarla, golpear, lanzar o perforar la batería o pegar objetos sobre ella. Tocar cualquier sustancia que salga de la batería, ya que contiene sustancias peligrosas. Permitir que los niños o las mascotas toquen la batería.

Sobrecargar, sobre-descargar o provocar un cortocircuito en la batería. Sumergir o exponer la batería al agua u otro líquido. Exponer la batería a un calor o frío excesivos.

Exponer la batería a un ambiente que contenga gases explosivos o llamas.

Dejar la batería bajo la lluvia o la luz solar directa o en un coche caliente bajo la luz solar directa.

Volver a montar o colocar la batería.

Transportar o guardar la batería junto con objetos metálicos como horquillas, collares, etc. Conducir la bicicleta de pedaleo asistido durante la carga.

Utilizar cualquier cargador que no sea el original.

## 14. Especificaciones técnicas

### Información General

Neumáticos	20 "X 2.125" con banda reflectante
Llantas	magnesio, 6 radios
Frenos	disco mecánico
Cambio	SHIMANO 6 rapporti
Palanca de cambios	magnesio
Horquilla	plato 44T - 6 piñones (14-16-18-21-24-28T)
Pedales	plástico, resellable
Cuadro	magnesio, plegable
Velocidad Máxima	25 km/h
Asiento	modelo confort
Tubo del asiento	aluminio
Manillar	aluminio, goma plegable
Manijas	caucho
Guardabarros	plástico
Soporte de bicicleta	trasera, modelo lateral
Bastidor trasero	no incluido
Carga máxima	110kg

### Sistema Eléctrico

Luces	LED frontal
Pantalla	LCD con niveles de asistencia, luces ENCENDIDO / APAGADO, cuentakilómetros con funciones correspondientes
Motor	36V, 250W, IP54, trasera
Batería	SAMSUNG 36V, 10.5Ah, 378Wh integrado en el cuadro y extraíble
Cargador	entrada: 100-240V, 50-60Hz ,2.5A / salida: 42V, 2.0A
Tiempo de carga	4/5 horas
Autonomía	hasta 50 km, esta cifra depende de: el nivel de asistencia utilizado, el peso del ciclista, la fuerza muscular aplicada al pedalear, la presión de los neumáticos, la pendiente de la carretera, el número de paradas y reinicios

### Dimensiones y Pesos

Peso de la batería	2.06kg
Peso con/sin batería	18.47kg
Peso total	20.53kg
Dimensiones de la bicicleta eléctrica	1510 x 580 x 1070mm
Dimensiones del empaque	830 x 420 x 620mm





### **Velocidad permitida**

La velocidad máxima permitida por la ley es de 25 km/h.

Cualquier intervención no autorizada por el fabricante en la unidad de control significará que el fabricante no podrá ser considerado responsable de los daños causados a personas y/o cosas; además, la garantía del producto adquirido quedará invalidada.

La unidad de control ha sido programada para no permitir cambios en el parámetro de velocidad máxima.

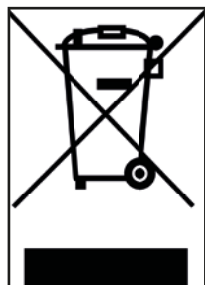


### **Riesgo de lesiones**

Mantener una velocidad y un comportamiento adecuados a sus capacidades, no utilizar nunca la bicicleta de pedaleo asistido por encima de los 25 km/h, ya que podría causar graves daños y lesiones a sí mismo o a otras personas.



**Desecho de dispositivos eléctricos o electrónicos al final de su vida útil (aplicable en todos los países de la Unión Europea y en otros sistemas europeos con sistemas de recolección por separado)**



Este símbolo en el producto o en el embalaje indica que el producto no debe considerarse como un residuo doméstico normal, sino que debe llevarse a un punto de recolección apropiado para el reciclaje de equipos eléctricos y electrónicos (WEEE).

Si se asegura de que este producto se desecha correctamente, ayudará a evitar las posibles consecuencias negativas para el medio ambiente y la salud humana que podrían derivarse de una eliminación inadecuada. El reciclaje de materiales ayuda a conservar los recursos naturales.

Para obtener información más detallada sobre el reciclaje de este producto, puede ponerse en contacto con el servicio local de eliminación de residuos o con el establecimiento donde lo haya comprado.

En cualquier caso, es necesario desechar el producto de acuerdo con la normativa vigente en el país de compra.

Específicamente, los consumidores no deben desechar los WEEE como residuos urbanos, sino que deben desechar este tipo de residuos por separado, de dos maneras posibles:

- 1) En los centros de recolección municipales, directamente o a través de los servicios de recolección de las empresas municipales, cuando estos estén disponibles.
- 2) En las tiendas de descuentos de venta de aparatos eléctricos y electrónicos nuevos.

Aquí, se pueden dejar gratuitamente los WEEE muy pequeños (con el lado más largo de menos de 25 cm), mientras que los más grandes se pueden dejar de forma individual, es decir, se puede dejar el producto viejo cuando se compra uno nuevo con la misma función.

Si desecha equipos eléctricos o electrónicos de forma ilegal, pueden aplicarse las sanciones previstas por la legislación vigente en materia de protección del medio ambiente (válida solo para Italia).

Si los WEEE contienen pilas o acumuladores, estos deben ser retirados y eliminados a través de una específica recolección separada de residuos.



## **Desecho de baterías usadas (aplicable en todos los países de la Unión Europea y en otros sistemas europeos con sistema de recolección por separado)**



Este símbolo en el producto o en el embalaje indica que el paquete de baterías no debe considerarse un residuo doméstico normal. En algunos tipos de baterías, este símbolo puede utilizarse en combinación con un símbolo químico.

Los símbolos químicos del mercurio (Hg) o del plomo (Pb) se añaden si la batería contiene más de un 0,0005% de mercurio o un 0,004% de plomo.

Si se asegura de que los paquetes de baterías se desechan correctamente, contribuirá a evitar las posibles consecuencias negativas para el medio ambiente y la salud que, de otro modo, podría provocar una manipulación inadecuada de los residuos. El reciclaje de materiales ayudará a conservar los recursos naturales. Cuando, por razones de seguridad, rendimiento o protección de datos, los productos requieran una conexión fija a una batería/celda interna, ésta sólo debe ser sustituida por personal de servicio cualificado.

Al final de su vida útil, entregue el producto en un punto de recolección adecuado para el desecho de equipos eléctricos y electrónicos, esto asegurará que la batería en su interior también sea desechada correctamente.

Para obtener información más detallada sobre el desecho de la batería gastada o del producto, puede ponerse en contacto con el servicio local de eliminación de residuos o con el establecimiento donde lo compró.

En cualquier caso, es necesario desechosar el producto de acuerdo con la normativa vigente en el país de compra.

## 15. Condiciones de la garantía

Todos los productos están cubiertos por la "Garantía Legal de conformidad" en cumplimiento de la Directiva 2011/83/UE.

La Garantía Legal está reservada a los consumidores. Por lo tanto, se aplica únicamente a los usuarios que hayan realizado una compra con fines ajenos a cualquier actividad empresarial, comercial, artesanal o profesional desarrollada.

Para quienes hayan comprado los Productos y no tengan la calidad de consumidores, se aplicará la garantía por defectos de la cosa vendida, la garantía por falta de calidad prometida y esencial y las demás garantías previstas por el código civil con los términos, caducidades y limitaciones correspondientes.

El Vendedor (y, por tanto, en lo que se refiere a la compra de los Productos, el Minorista que vendió el Producto al usuario) es responsable ante el consumidor de cualquier falta de conformidad existente en el momento de la entrega del producto y que se produzca en el plazo de dos años desde la citada fecha de entrega. La falta de conformidad deberá ser comunicada al vendedor, bajo pena de pérdida de la garantía, en el plazo de dos meses a partir de la fecha en que se haya descubierto.

Salvo prueba en contrario, se presume que la falta de conformidad que se produzca en los seis meses siguientes a la entrega del producto ya existía en esa fecha, salvo que esta presunción sea incompatible con la naturaleza del producto o con la naturaleza de la falta de conformidad. A partir del séptimo mes posterior a la entrega del producto, corresponderá al consumidor probar que la falta de conformidad ya existía en el momento de la entrega del mismo.

Para poder beneficiarse de la Garantía Legal, el comprador deberá primero aportar la prueba de las fechas de compra y entrega de los productos. Por lo tanto, es aconsejable que el comprador conserve todos los documentos que puedan certificar las fechas de compra y entrega (por ejemplo: recibo, factura, correo electrónico de confirmación del pedido).

Los defectos o el mal funcionamiento causados por hechos accidentales y/o imputables a la responsabilidad del Comprador o por un uso del Producto que no cumpla con el uso previsto y/o con lo previsto en la documentación técnica adjunta al Producto, o debido a la falta de ajuste de las piezas mecánicas, al desgaste natural de los materiales que se desgastan con facilidad o causado por errores de montaje, a la falta de mantenimiento y/o al uso del mismo no conforme a las instrucciones

Por ejemplo, se deben considerar excluidos de la Garantía Legal correspondiente a los Productos los siguientes:

- los daños causados por impactos, caídas o colisiones accidentales, pinchazos;
- los daños causados por el uso, la exposición o el almacenamiento en un ambiente inadecuado (por ejemplo: presencia de lluvia y/o barro, exposición a la humedad o al calor excesivo, contacto con arena u otras sustancias);
- los daños causados por la falta de ajuste debido a la "puesta en circulación" y/o al mantenimiento de las piezas mecánicas (freno de disco mecánico, manillar, neumáticos, etc.);

- la incorrecta instalación y/o el incorrecto montaje de piezas y/o componentes, excepto cuando la instalación y/o el montaje hayan sido realizados por el vendedor o bajo su responsabilidad y/o hayan sido realizados por el consumidor pero el error en la instalación y/o montaje sea atribuible a la falta de instrucciones de instalación;
- el desgaste natural de los materiales consumibles: freno de disco mecánico (por ejemplo, pastillas, pinzas de freno, disco, cables), neumáticos, plataformas, juntas, rodamientos, luces y bombillas led, caballete, pomos, guardabarros, piezas de goma (plataforma), conectores del cableado, rejillas y pegatinas, etc.;
- el mantenimiento y/o el uso inadecuado de la batería del Producto;
- la manipulación y/o el forzamiento de las piezas del Producto;
- mantenimiento incorrecto o inadecuado o alteración del Producto;
- uso inadecuado del Producto (por ejemplo: exceso de carga, uso en competiciones y/o para actividades comerciales o de alquiler);
- el mantenimiento, las reparaciones y/o las intervenciones técnicas en el Producto realizadas por terceros no autorizados;
- los daños a los Productos resultantes del transporte, si lo realiza el Comprador;
- los daños y/o defectos resultantes de la utilización de piezas no originales.

En el caso de que un Producto adquirido, durante el periodo de validez de la Garantía Legal, manifieste lo que podría ser una falta de conformidad, el Comprador deberá ponerse en contacto con el vendedor; este responderá rápidamente a la comunicación de la supuesta falta de conformidad, indicando el procedimiento específico a seguir, teniendo en cuenta también la categoría a la que pertenece el Producto y/o el defecto denunciado.



## Declaración de Conformidad

M.T. Distribution S.r.l.

Indirizzo: Via Bargellino 10, 40012 Calderara di Reno (BO), Italia

Esta declaración de conformidad se emite bajo la única responsabilidad del Fabricante

Marca del Producto	Ducati
Modelo del Producto	MG-20
Descripción del producto	Bicicleta Eléctrica
Clasificación	Producto: CD 36V, 250W

Es conforme a los requisitos de las Directivas del Consejo sobre la aproximación de las legislaciones de los Estados miembros relativas a

Directiva del Consejo de la UE 2014/30/UE Compatibilidad Electromagnética

UE MD 2006/42/CE

Normas de Prueba :

EN 15194: 2017

EN 55014-1: 2017

EN 61000-3-2: 2014

EN 61000-3-3: 2013

EN 55014-2: 2015

Nombre de la fábrica: ONEBOT CYCLES Sp.zo.o

Dirección de la fábrica: : Prologis Park Wrocław 1, building DC 1 A, Magazynowa 1 street, 55-040 Bielany Wroclawskie, Polonia

Fecha: 07/01/2020

Archivo técnico disponible en la sede de la UE

Lugar de la Declaración: Bologna, Italia

Primer nombre y apellido: Alessandro Summa Cargo: DIRECTOR EJECUTIVO

MT DISTRIBUTION S.R.L

Via Bargellino 10, 40012 Calderara di Reno (BO), Italia

Persona autorizada: Alessandro

Summa Cargo: DIRECTOR EJECUTIVO

NOTA:

Esta declaración de conformidad sólo es aplicable a las Bicicletas Eléctricas vendidas en países que siguen las directivas de marcado CE.

Alessandro Summa

**M.T. DISTRIBUTION SRL**

Via Bargellino, 10 b/c

40012 CALDERARA DI RENO (BO)

FROM Fax: 051 9840377

NONA: 051 9840377

NONA: 051 9840377

TIMBRO AZIENDALE

# **MG-20**

e-bike pliable

## Manuel d'utilisation et d'entretien

Avant d'utiliser le vélo, il faut le monter et le contrôler correctement dans toutes ses parties. Tout dommage de montage ou entretien incorrect ne sont pas couverts par la garantie.

Pour plus d'informations, un support technique et une assistance, contactez votre concessionnaire ou visitez le site web [www.ducatiurbanemobility.com](http://www.ducatiurbanemobility.com)

# Contenu

1. Préface
2. Avertissement de sécurité
3. Liste d'emballage
4. Description du vélo (epac)
5. Soulever et porter
6. Démarrage
7. Démarrage rapide
8. Affichage LCD
9. Instructions de réglage de l'affichage
10. Instructions d'entretien
11. Schéma des connexions
12. Dépannage
13. Batterie (Avertissements)
14. Spécifications techniques
15. Conditions de garantie



# 1. Préface

## Vue d'ensemble

Ce manuel est une partie intégrante et essentielle du vélo à pédalage assisté (EPAC) et doit être fourni à l'utilisateur.

Avant la première utilisation du vélo, il est indispensable que les utilisateurs lisent, comprennent et respectent strictement les dispositions suivantes.

Le fabricant n'est pas responsable des dommages causés aux personnes et/ou aux biens ou au vélo à pédalage assisté en cas d'utilisation incorrecte et non conforme aux instructions données.

En vue d'un développement technologique continu, le fabricant se réserve le droit de modifier le vélo à pédalage assisté (EPAC) sans préavis, sans que ce manuel soit automatiquement mis à jour.

Nous vous recommandons de visiter le site [www.ducatiurbanemobility.com](http://www.ducatiurbanemobility.com) où toute mise à jour ou modification de ce manuel sera téléchargée.

## Service d'assistance

En cas de problèmes ou pour toute demande d'éclaircissement, n'hésitez pas à contacter le Service d'assistance de votre concessionnaire Ducati Urban e-Mobility, qui pourra mettre à votre disposition du personnel qualifié et spécialisé, des équipements spécifiques et des pièces de rechange d'origine

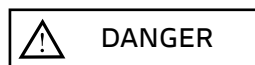
## Forme graphique des avertissements de sécurité

Les symboles graphiques suivants seront utilisés pour identifier les messages de sécurité dans ce manuel. Leur fonction est d'attirer l'attention du lecteur/utilisateur afin de garantir une utilisation correcte et sûre du vélo à pédalage assisté.



## Soyez attentif

Met en évidence les règles de conduite à respecter afin d'éviter d'endommager le vélo à pédalage assisté et/ou la survenue de situations dangereuses.



## Risques résiduels

Cela met en évidence la présence de dangers qui entraînent des risques résiduels auxquels l'utilisateur doit faire attention afin d'éviter des blessures ou des dommages matériels.

## Note juridique sur l'utilisation

Respectez toujours le code de la route et les règles de circulation applicables aux cyclistes dans le pays de circulation.

## 2. Avertissement de sécurité

### Règles générales de sécurité



#### Utilisation du vélo à pédalage assisté

Chaque utilisateur doit lire ce manuel d'utilisation et d'entretien avant la première utilisation du vélo, en particulier le chapitre sur les consignes de sécurité.



#### Risques liés à l'utilisation du vélo à pédalage assisté

Malgré l'utilisation de dispositifs de sécurité, pour garantir une utilisation sûre du vélo à pédalage assisté, vous devez prendre connaissance de toutes les instructions de prévention des accidents contenues dans ce manuel.

Restez toujours concentré lorsque vous conduisez votre vélo et ne sous-estimez pas les risques résiduels liés à l'utilisation du vélo à pédalage assisté.

Même si vous êtes déjà familiarisé avec l'utilisation des vélos à pédalage assisté, vous devez suivre les instructions données ici, ainsi que les précautions générales à observer lors de l'utilisation d'un vélo motorisé.

#### Responsabilité

L'utilisateur doit utiliser le vélo à pédalage assisté avec la plus grande diligence et dans le plein respect du code de la route et de toutes les réglementations cyclistes pertinentes en vigueur dans le pays de circulation.

L'utilisateur doit également maintenir le vélo à pédalage assisté propre, parfaitement efficace et entretenu, effectuer avec diligence les contrôles de sécurité qui relèvent de sa compétence, tels que décrits dans la section des avertissements et recommandations, ainsi que conserver toute la documentation relative à l'entretien du vélo à pédalage assisté.

L'utilisateur doit évaluer soigneusement les conditions atmosphériques qui pourraient rendre dangereuse l'utilisation du vélo à pédalage assisté. À cette fin, nous recommandons de modérer la vitesse et de conserver une distance de freinage adéquate en cas de conduite dans des conditions météorologiques défavorables et/ou de trafic intense.

## **Avvertissements pour les utilisateurs**

- Il est interdit de rouler avec un passager.
- Ne consommez pas d'alcool ou de drogues avant d'utiliser le vélo à pédalage assisté.
- Ce modèle de vélo à pédalage assisté est conçu et construit pour être utilisé en extérieur, sur les routes publiques ou les pistes cyclables.
- N'essayez pas de forcer le vélo à pédalage assisté à atteindre un niveau de performance supérieur à celui pour lequel il a été conçu.
- N'utilisez jamais le vélo à pédalage assisté avec des pièces retirées.
- Évitez les surfaces inégales et les obstacles.
- Conduisez avec les deux mains sur le guidon.
- Remplacez les pièces usées et/ou endommagées, vérifiez le bon fonctionnement des protections avant utilisation.

## **Notes sur l'entretien**

Toutes les opérations d'entretien doivent se faire avec la batterie déconnectée.

Lors de chaque phase de maintenance, les opérateurs doivent être équipés du matériel nécessaire à la prévention des accidents.

Les outils utilisés pour l'entretien doivent être adaptés et de bonne qualité.

N'utilisez pas d'essence ou de solvants inflammables comme les détergents, mais toujours des solvants ininflammables et non toxiques.

Limitez autant que possible l'utilisation d'air comprimé (2 bar maximum) et protégez-vous avec des lunettes de protection à écrans latéraux.

N'utilisez jamais une flamme nue comme moyen d'éclairage lorsque vous procédez à des opérations de vérification ou d'entretien.

Après toute procédure d'entretien ou de réglage, assurez-vous qu'aucun outil ou corps étranger ne reste entre les parties mobiles du vélo à pédalage assisté.



## **Pièces de rechange originales**

N'utilisez que des pièces de rechange originales Ducati Urban e-Mobility.

Le fabricant ne peut être tenu responsable des dommages ou de la perte de fonctionnalité causés par l'utilisation d'accessoires et de pièces non originaux.

## Autres provisions

La première chose à faire quand on commence à utiliser le vélo est de vérifier la présence et l'intégrité des protections et le fonctionnement des dispositifs de sécurité.

Si vous constatez un défaut quelconque, n'utilisez pas le vélo à pédalage assisté !



## Protections

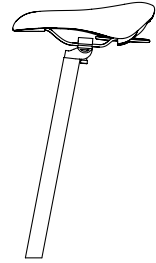
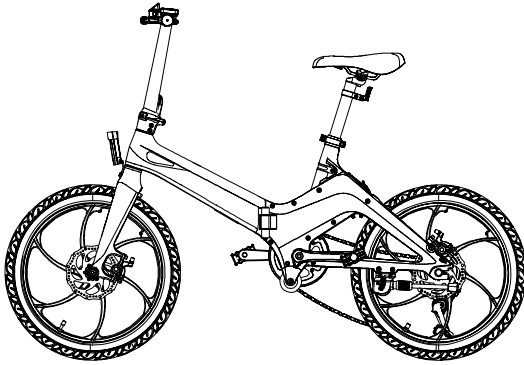
Il est donc strictement interdit de modifier ou de retirer les protections de la batterie, de la chaîne, etc. ainsi que les plaques d'avertissement et d'identification.

## Stockage en entrepôt

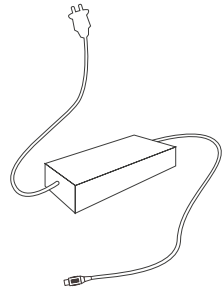
Dans le cas où le vélo à pédalage assisté doit être stocké pendant de longues périodes d'inactivité, les opérations suivantes doivent être effectuées :

- Réparez-le dans un endroit sec et bien ventilé.
- Effectuez le nettoyage général du vélo à pédalage assisté.
- Retirez la batterie de son logement.
- Laissez le vélo sur la béquille.
- Protégez les contacts électriques exposés avec des produits antioxydants.
- Graissez toutes les surfaces non protégées par des peintures ou des traitements anticorrosion.

### 3. Liste d'emballage



- Corps du cadre du vélo
- Selle + tige de selle
- Chargeur
- Réflecteur arrière
- Clé Allen (4mm)
- Garde-boue avant
- Garde-boue arrière
- 2 clés de verrouillage de la batterie



## 4. Description du vélo (epac)



1. Selle
2. Plieuse de cadre de vélo
3. Chemise à tige
4. Fermeture de sécurité
5. Guidon
6. Levier de frein
7. Feu avant
8. Fourche avant
9. Frein à disque
10. Aile avant (à assembler, fournie dans la boîte)
11. Roue à chaîne
12. Roue de protection de la chaîne
13. Roue de support
14. Pédale
15. Béquille
16. Dérailleur arrière
17. Moteur
18. Aile arrière (à assembler, fournie dans la boîte)
19. Collier de tige de selle
20. Tige de selle
21. Réflecteur arrière (à assembler, fourni dans la boîte)
22. Numéro de série

## Conditions d'utilisation

Le vélo à pédalage assisté a été conçu et construit pour être utilisé en plein air, sur les routes publiques et les pistes cyclables, mais toujours sur des surfaces asphaltées.

Toute modification de l'état de la construction peut compromettre la sécurité et la stabilité du vélo à pédalage assisté et peut entraîner un accident.

D'autres types d'utilisation ou une utilisation dépassant le cadre de l'utilisation prévue ne correspondent pas à l'utilisation prévue par le fabricant et le fabricant ne peut donc plus être tenu responsable des dommages qui en résultent.

La durée de vie de la batterie, et donc le kilométrage estimé, peuvent varier considérablement en fonction du type d'utilisation et des influences extérieures ; veuillez tenir compte des facteurs suivants, particulièrement influents : poids de l'utilisateur, fréquence de pédalage, niveau d'assistance sélectionné sur l'affichage, vitesse moyenne, épaisseur et usure de la bande de roulement, pente et revêtement de la route, conditions météorologiques.

## Environnement d'utilisation

Le vélo à pédalage assisté peut être utilisé à l'extérieur, en l'absence de conditions météorologiques défavorables (pluie, grêle, neige, vent fort, etc.).

Température maximale autorisée :

+ 40°C Température minimale autorisée :

+ 0°C Humidité maximale autorisée : 80 %

L'environnement d'utilisation doit présenter une surface asphaltée plate et compacte, sans aspérités, nids de poule ou dépressions, et exempte d'obstacles et de taches d'huile. En outre, le lieu d'utilisation doit être éclairé, soit par le soleil, soit par des lumières artificielles, de manière à assurer une visibilité correcte du parcours et des commandes du vélo à pédalage assisté (300 à 500 lux recommandés).



## Environnements d'utilisation interdits

Le vélo à pédalage assisté ne doit pas être utilisé :

dans des zones présentant des risques d'incendie ou d'explosion ; dans des environnements à l'atmosphère corrosive et/ou chimiquement active ; dans des environnements mal éclairés ; sur un terrain dont la pente est supérieure à 10 % ; sur un terrain irrégulier et non pavé.

## Utilisations inappropriées et contre-indications

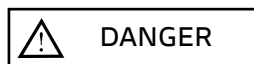
Les actions décrites ci-dessous, qui ne peuvent évidemment pas couvrir l'ensemble des possibilités potentielles de « mauvaise utilisation » du vélo à pédalage assisté, doivent être considérées comme absolument interdites.



### Opérations interdites

L'exécution d'opérations interdites invalide la garantie.

Le fabricant décline toute responsabilité pour les dommages causés aux personnes et aux biens découlant de l'exécution d'opérations interdites.



### Il est strictement interdit de :

Utiliser votre vélo à pédalage assisté à d'autres fins que celles pour lesquelles il a été construit, c'est-à-dire pour le transport de passagers.

Utiliser votre vélo à pédale dans les zones où il y a un risque d'explosion.

Utiliser votre vélo à pédalage assisté dans des conditions météorologiques défavorables (pluie battante, grêle, neige, vent fort, etc.).

Transporter un passager.

Utiliser votre vélo à pédales sous l'influence de l'alcool ou de drogues.

Utiliser votre vélo à pédalage assisté si votre poids est supérieur au poids autorisé.  
Charger la batterie dans un environnement trop chaud ou insuffisamment ventilé.

Couvrir la batterie pendant qu'elle est en charge.

Fumer ou utiliser de flammes nues à proximité de la zone de chargement.

Transiter ou s'arrêter sur des surfaces dont la pente est supérieure à 10 % ou sur des surfaces irrégulières (non pavées, avec des trous, des dépressions, des obstacles, etc.).

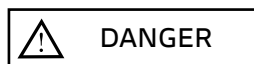
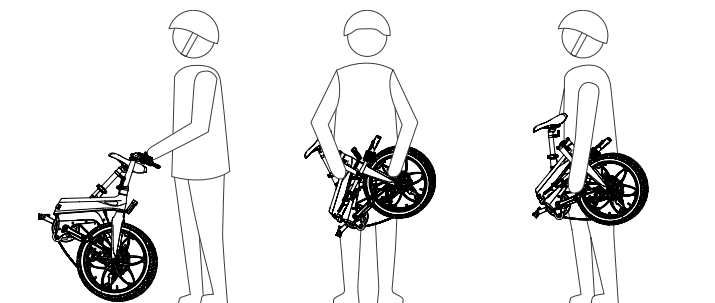
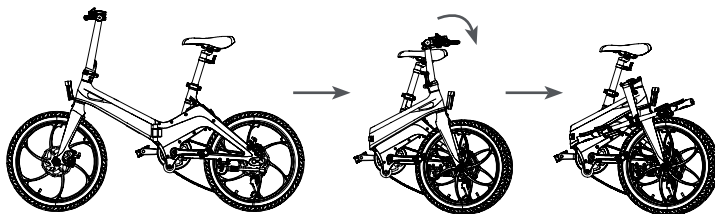
Effectuer tout entretien avec la batterie connectée. Utiliser des pièces de rechange non originales.

Insérer les membres ou les doigts entre les parties mobiles du vélo.

Il est absolument interdit de relever la tige de selle au-delà de la limite de 10 cm afin d'éviter les fractures du cadre.



## 5. Flânerie et portage



### Écrasement et impact

Pendant le levage, il est nécessaire d'opérer avec une extrême prudence afin d'éviter tout dommage aux personnes et aux objets.

Le fabricant n'est pas responsable des ruptures dues au levage et/ou au transport du vélo à pédalage assisté après la livraison.

Le poids du vélo à pédalage assisté est d'environ 21 kg, il est conseillé de le soulever par deux personnes adultes.

### Transport

Pour assurer un haut niveau de sécurité pendant le transport dans les fourgons, il est nécessaire d'empêcher le vélo à pédalage assisté de se déplacer. Pour ce faire, il faut le faire reposer sur la béquille et l'attacher avec des sangles ou des câbles d'ancrage en bon état.

À cet égard, les dispositifs de fixation doivent être installés de manière à ne pas endommager le cadre et les autres parties du vélo.

## 6. Démarrage

### Chargement de la batterie

Avant d'utiliser le vélo pour la première fois, il est nécessaire de charger la batterie pendant au moins 4-6 heures, jusqu'à ce que la charge soit complète, en utilisant le chargeur de batterie fourni.

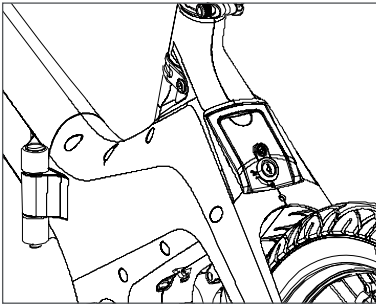
Le vélo est alimenté par une batterie lithium-ion de 36V.

Le temps de charge moyen est d'environ 4 à 6 heures. Les batteries sont de type lithium.

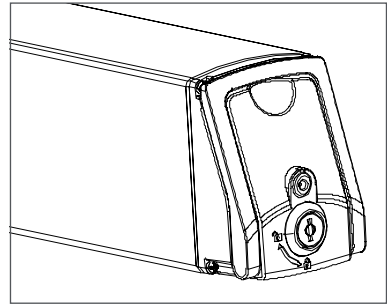
Pour prolonger au maximum la durée de vie de la batterie, une charge complète tous les trente jours est recommandée, même si le vélo n'est pas utilisé.

Nous recommandons de charger la batterie avec son chargeur spécial après chaque utilisation du vélo à pédalage assisté.

**Pendant la charge, le voyant rouge du chargeur est allumé, lorsque la charge est terminée, le voyant rouge s'éteint et le voyant vert s'allume.**

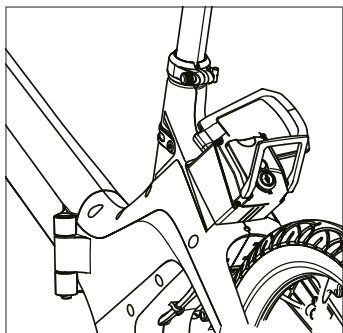


Première option de chargement : ouvrez le capuchon en caoutchouc du port de chargement et chargez.

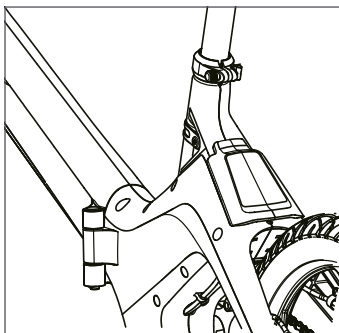


Deuxième option de charge : extraire la batterie et la charger sans avoir à déplacer le vélo.

## Désinstaller et installer la batterie



1. Éteignez le vélo, déverrouillez la batterie, puis retirez le boîtier de la batterie à l'aide de la poignée de levage comme indiqué sur la photo.



2. Lors de l'installation de la batterie, verrouillez la batterie avec la clé et retirez la clé, appuyez sur la poignée de la batterie pour la mettre à plat, puis dépliez le cadre du vélo.



### Précautions à prendre pendant la charge

Branchez toujours la fiche sur la batterie, puis la fiche d'alimentation sur le secteur.

Lorsque la recharge est terminée, débranchez toujours d'abord la fiche du secteur, puis la fiche de la batterie.

Chargez toujours complètement la batterie. Utilisez toujours des alimentations d'origine.

Ne laissez pas la batterie en charge pendant plus de 16 heures.

Rechargez toujours dans un endroit ventilé.

Ne rechargez pas la batterie dans des environnements trop chauds.

Ne rechargez pas la batterie à proximité de liquides inflammables.

Ne couvrez en aucun cas la batterie pendant qu'elle est en charge.

Si la batterie dégage une mauvaise odeur, débranchez-la immédiatement de l'alimentation électrique et aérez la pièce, ne touchez pas la batterie.

Conservez la batterie dans un endroit frais et sec lorsque vous ne l'utilisez pas.

## Mettre sur la route

Avant d'utiliser le vélo à pédalage assisté, pour assurer une « mise en route » efficace du produit, il est conseillé de contrôler soigneusement chaque partie et de prévoir une intervention de réglage adéquate des composants mécaniques correspondants, directement ou avec l'aide d'opérateurs spécialisés, par exemple le réglage et le serrage du guidon et de la tige, le réglage et le serrage de la selle et de la tige de selle, le réglage des freins, le réglage de la boîte de vitesses, le contrôle de la pression des pneus, la lubrification de la chaîne et des engrenages, le contrôle du serrage correct des vis de fixation et le contrôle général de toutes les parties. Il est recommandé que la mise en service de la route soit effectuée par du personnel qualifié.

## Roues

Vérifiez la pression de gonflage du pneu, en vous référant aux valeurs indiquées sur l'épaulement du pneu. Vérifiez l'état d'usure du caoutchouc : il ne doit pas y avoir de coupures, de fissures, de corps étrangers, de gonflements anormaux, de toile exposée et autres dommages.

## Système de freinage

Vérifiez le fonctionnement des freins par un essai de freinage à basse vitesse (max. 6 km/h) dans une zone sans obstacle, d'abord avec le frein arrière, puis avec le frein avant.



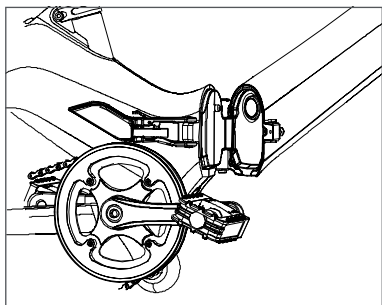
## Contrôle avec des résultats négatifs

Dans le cas où, lors des contrôles préliminaires, des défauts de quelque nature que ce soit sont constatés et que même un seul contrôle a des résultats négatifs, **n'utilisez pas le vélo à pédalage assisté.**

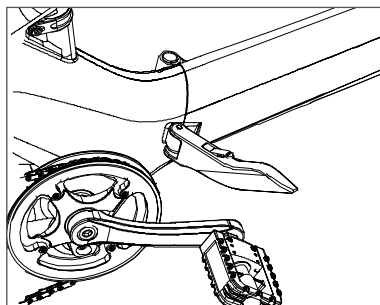
Activez immédiatement toutes les mesures pour effectuer un réglage correct, et si nécessaire, contactez le Service d'assistance.

## 7. Démarrage rapide

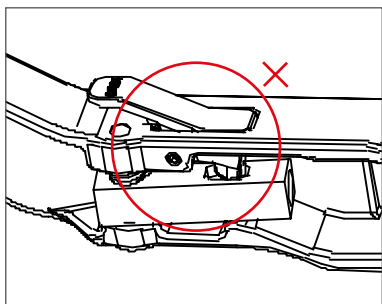
### Déplier le vélo



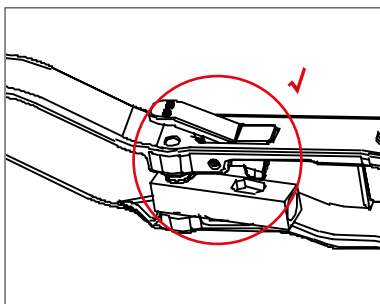
1. Tenez le corps du vélo, déployez le cadre.



2. Comme indiqué sur la photo, verrouillez fermement la pince du dossier, veuillez terminer les étapes 3) et 4) avant de verrouiller la pince.

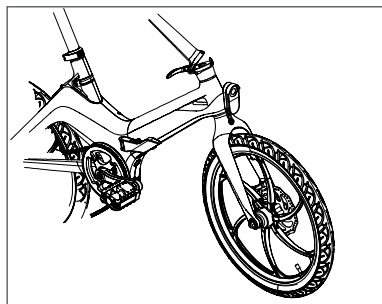


3. Si l'attache se présente comme sur l'image, il faut l'enfoncer pour libérer la pièce convexe.

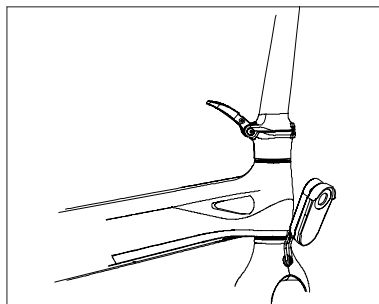


4. Si l'attache est conforme à l'image, vous pouvez alors utiliser l'étape 2) pour verrouiller le cadre.

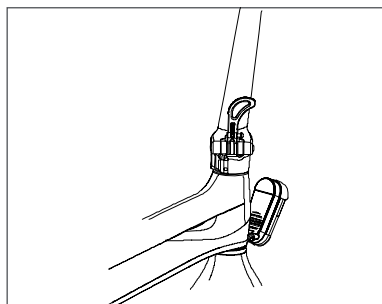
## Déplier la tige



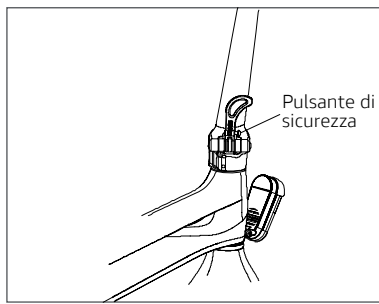
1. Tenez le corps du vélo et tournez la tige vers le haut pour vous assurer que la tige est bien reliée au dessous.



2. Fixez la clé pliante directement dans le sens de la tige.



3. Secouez légèrement la tige et vérifiez si la boucle de sécurité est complètement bouclée.



4. Pour plier la tige, vous devez appuyer sur la boucle de sécurité, puis ouvrir la clé pliante.

## Monter le guidon



1. Utilisez la clé Allen M4 pour desserrer la vis de la tige d'avance, et retirez le collier.

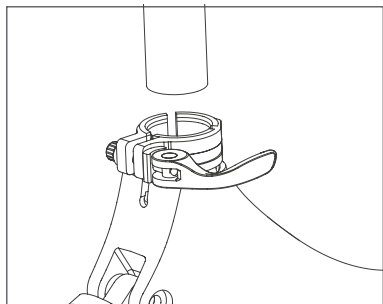


2. Placez délicatement la pince au milieu du guidon, puis serrez les vis à l'aide de la clé Allen M4.

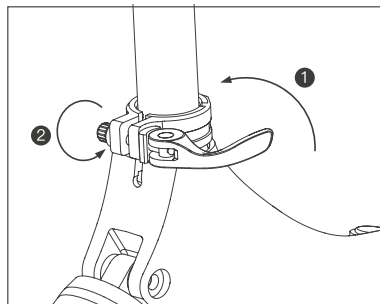


3. Vérifiez la solidité et la position correcte du guidon avant de partir.

## Montage de la tige de selle

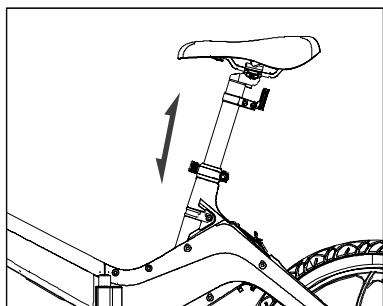


1. Desserrez le collier de la tige de selle, maintenez le vélo stable, insérez la tige de selle dans le cadre.



2. Ajustez la vis, serrez le collier de serrage, puis appuyez sur la selle à fond pour vous assurer que la tige de selle est suffisamment serrée et qu'elle ne tourne pas ou ne bouge pas de haut en bas.

## Réglage de la hauteur de la selle



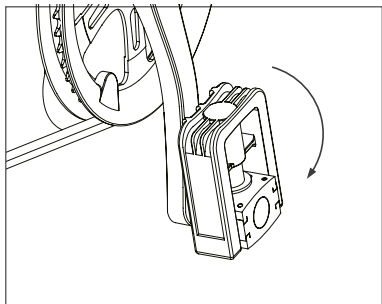
1. Lorsque vous devez régler la hauteur de la selle, desserrez d'abord le collier de la tige de selle, puis déplacez la tige de selle à la hauteur souhaitée et resserrez le collier de la tige de selle.



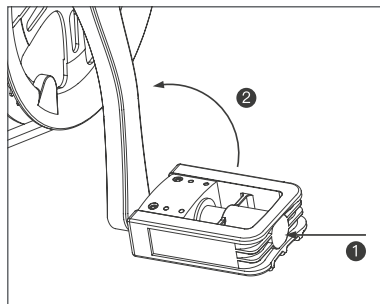
2. La hauteur de la selle ne doit pas dépasser la ligne limite de hauteur minimale de sécurité de l'insert.



## Déplier et replier les pédales

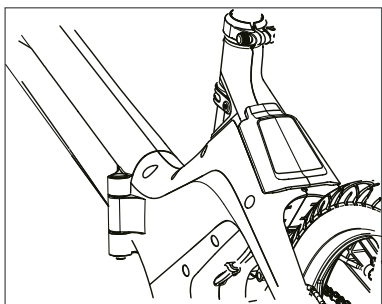


1. Tenez le corps du vélo et déployez les pédales.



2. Pressez la pédale vers la manivelle, et repliez-la.

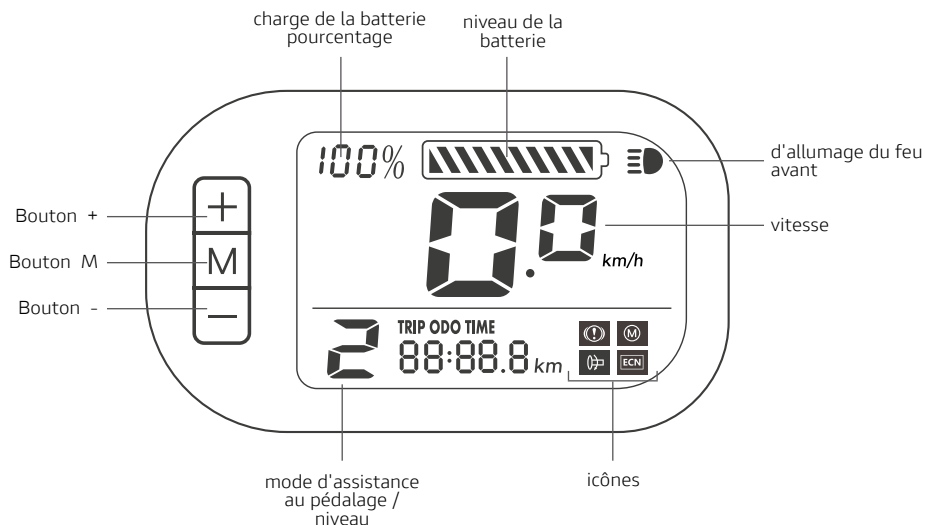
## Fonctionnement sous tension



1. Chargez la batterie avant votre première sortie.

Remarque : Lorsque la charge est terminée, veuillez couvrir la prise pour éviter que l'eau ne pénètre dans le port de charge.

## 8. Affichage LCD



### Fonctions des boutons :

**Bouton M** : bouton multifonctionnel, appuyez longuement pendant 3 secondes pour allumer/éteindre le vélo ; appuyez brièvement pour afficher le kilométrage d'un seul trajet, le kilométrage total et le temps de fonctionnement.

**Bouton +** : appuyez longuement pendant 3 secondes pour allumer/éteindre la lumière frontale.

**Bouton +** : appuyez brièvement pour augmenter le mode de vitesse.

**Bouton -** : appuyez brièvement pour diminuer le mode de vitesse.



L'indicateur de batterie est plein lorsque la batterie de votre vélo à pédalage assisté est entièrement chargée. L'indicateur de batterie baisse de niveau au fur et à mesure de l'utilisation du vélo à pédalage assisté. Le niveau de charge de l'indicateur de batterie peut fluctuer en fonction de l'utilisation du vélo à pédalage assisté, par exemple, si vous êtes sur une pente, le niveau de l'indicateur de batterie peut baisser rapidement car vous consommez beaucoup plus de la puissance de la batterie de votre vélo à pédalage assisté.

**Pour garantir une utilisation et un entretien optimaux de la batterie, il est recommandé de la charger complètement après chaque utilisation.**

## Signification des icônes :



Indique que le feu avant est alluméX



Indique que le frein fonctionne



Indique que l'accélérateur ne fonctionne pas ou pas correctement



Indique que le moteur ne fonctionne pas ou pas correctement



Indique que le contrôleur ne fonctionne pas ou pas correctement

## TRIP ODO TIME

88:88.8

Basculer entre le kilométrage d'un seul trajet, le kilométrage total et le temps de course

## 9. Instructions de réglage de l'affichage

1. Appuyez simultanément sur + et - pendant 3 secondes dans l'interface de réglage P0.
2. Rétablir les paramètres d'usine : Appuyez sur + pendant environ 30 secondes dans P0 et vous quitterez automatiquement le mode réglage.



### 3. Commutateur Km/Mile :

- A. Appuyez sur le bouton M et passez de P0 à P1
- B. En P1, appuyez sur +/- pour passer de Km/Mile. 0=Km, 1=Mile
- C. Appuyez simultanément sur + et - pour quitter le mode de réglage. Ou quitter automatiquement le mode réglage après 15 secondes.



4. Ajustez légèrement la vitesse :

A. Appuyez sur le bouton M et passez de P0 à P2

Le P2 ne peut qu'ajuster légèrement la vitesse affichée à l'affichage, il ne peut pas modifier la vitesse réelle.

B. Appuyez sur +/- pour modifier les données. Le réglage correct est de 15,6 pour les roues de 16 pouces, 18,5 pour les roues de 20 pouces. Plus les données sont importantes, plus la vitesse affichée est élevée (ne change pas la vitesse réelle).



## 10. Instructions d'entretien

**Toutes les opérations d'entretien doivent être effectuées avec le système éteint, la batterie déconnectée et le vélo posé sur la béquille.**

Après chaque opération d'entretien de routine, il est conseillé de vérifier le parfait fonctionnement de toutes les commandes.

Ce manuel n'entre pas dans les détails du démontage et de l'entretien non routinier, car ces opérations doivent toujours être effectuées exclusivement par le personnel du Service d'assistance de votre concessionnaire Ducati Urban e-Mobility.

Le Service d'assistance est en mesure de vous fournir toutes les informations dont vous aurez besoin et de répondre à toutes vos demandes concernant le parfait entretien et la maintenance de votre vélo à pédalage assisté.



### Contrôle avec des résultats négatifs

- Si un seul contrôle donne un résultat négatif, n'utilisez **pas le vélo à pédalage assisté**.
- Prenez immédiatement toutes les mesures pour effectuer une réparation appropriée et, si nécessaire, contactez le Service d'assistance de votre concessionnaire.

### Lavage

Le nettoyage du vélo à pédalage assisté est non seulement une question de décorum, mais il permet également de détecter immédiatement tout défaut du vélo.

Afin de ne pas endommager ou altérer le fonctionnement des différents composants, notamment les parties électriques, le nettoyage doit être effectué en prenant certaines précautions. Il est absolument interdit de diriger des jets d'eau sous pression vers les parties électriques, le moteur, l'affichage et la batterie, pour lesquels le lavage à l'éponge est recommandé.

Avant de démarrer le vélo à pédalage assisté, séchez-le complètement avec un chiffon ou du papier, en veillant à ne pas rayer les composants peints. Évitez d'utiliser de l'air comprimé, surtout à faible distance et à haute pression. Vérifiez qu'il n'y a pas d'humidité résiduelle sur les composants électriques.

### Lubrification de la chaîne

Il est important de lubrifier régulièrement la chaîne, afin d'éviter une usure excessive et de prolonger sa durée de vie.

1. Nettoyez toute la longueur des maillons de la chaîne avec un chiffon.
2. Vaporisez tous les maillons de la chaîne avec un spray lubrifiant spécial pour les chaînes de transmission.

## Vérification des pièces

Le cadre porteur du vélo à pédalage assisté et les soudures doivent être exempts de défauts visibles tels que : fissures, déformations, incisions, corrosion, etc.

Assurez-vous que tous les boulons et les pédales du vélo à pédalage assisté sont correctement serrés.

Vérifiez l'état et la fixation de la batterie, les gaines des câbles électriques doivent être en bon état, et les bornes doivent être bien serrées et non corrodées.

Vérifiez l'état de charge de la batterie à l'aide de l'indicateur sur l'affichage du guidon.

Pour une utilisation correcte de la batterie de votre vélo EPAC, nous vous recommandons de toujours charger la batterie après chaque utilisation du vélo.

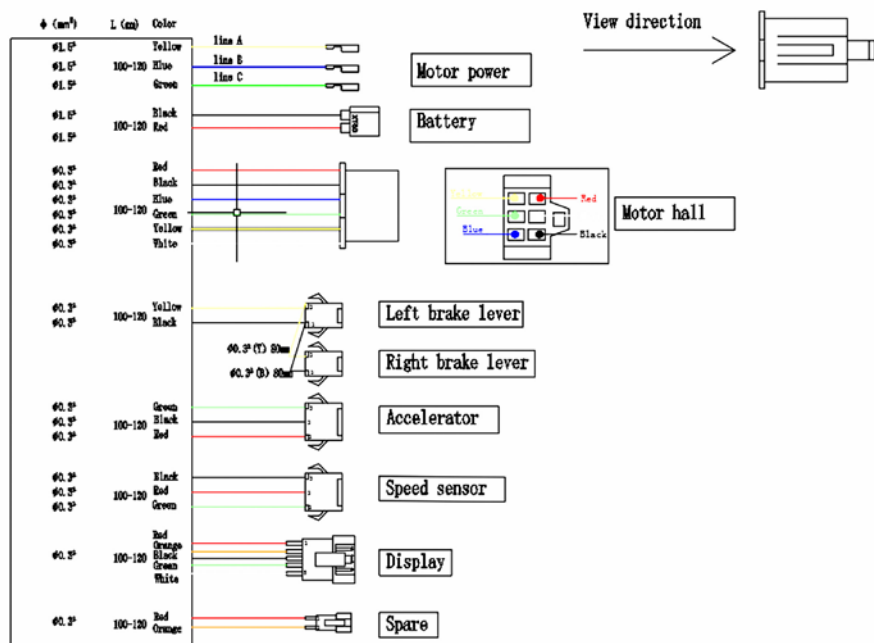
En utilisant la valve de gonflage sur les jantes, vérifiez la pression de gonflage des pneus à l'aide d'un compresseur et d'un pistolet manométrique ou d'une pompe d'atelier.

Vérifiez l'état de la bande de roulement, de la jante et de la fixation des jantes aux moyeux. Si vous devez remplacer les pneus, contactez le Service d'assistance ou un revendeur de pneus qualifié.

Les freins doivent être réglés de manière à assurer un freinage efficace, et en même temps les leviers de commande doivent avoir une portée suffisante pour moduler le freinage : en d'autres termes, les freins ne doivent être ni trop lâches ni trop serrés.





# 11. Schéma des connexions

## 250W Controller





## 12. Dépannage

Indicateur d'affichage	Raisons	Solutions
Frein 	Indique que le frein est engagé	/
	Le levier de frein ne revient pas en position normale	Appuyez plusieurs fois sur le levier de frein pour le laisser revenir. Remplacer par un nouveau levier de frein
Défaut de l'accélérateur 	Sans accélérateur	/
	Le câble d'accélérateur, l'accélérateur ou le connecteur est cassé/endommagé	Remplacer par un nouveau câble, accélérateur
Défaut moteur 	Les connecteurs entre l'accélérateur et le contrôleur ne sont pas bien connectés	Reconnecter correctement
	Le moteur ne fonctionne pas	Remplacer par un nouveau moteur
	Les câbles ou le connecteur sont cassés/endommagés	Remplacer par un nouveau câble
Défaut du contrôleur 	Le câble du compartiment moteur n'est pas bien connecté ou mal connecté	Reconnecter correctement
	Le contrôleur est cassé	Remplacer par un nouveau contrôleur

## 13. Batterie (Avertissements)

### Indicateur de batterie

L'indicateur de batterie est plein lorsque la batterie de votre vélo à pédalage assisté est entièrement chargée. L'indicateur de batterie baisse de niveau au fur et à mesure de l'utilisation du vélo à pédalage assisté. Le niveau de charge de l'indicateur de batterie peut fluctuer en fonction de l'utilisation du vélo à pédalage assisté, par exemple, si vous êtes sur une pente, le niveau de l'indicateur de batterie peut baisser rapidement car vous consommez beaucoup plus de la puissance de la batterie de votre vélo à pédalage assisté.

Pour garantir une utilisation et un entretien optimaux de la batterie, il est recommandé de la charger complètement après chaque utilisation.

Assurez-vous que le vélo à pédalage assisté, le chargeur et le port de charge sont secs.

Lorsque le vélo à pédalage assisté est entièrement chargé, le voyant DEL du chargeur passe du rouge (charge) au vert (charge terminée).

Utilisez uniquement le chargeur d'origine. Les autres chargeurs peuvent endommager l'appareil et présenter d'autres risques potentiels.

Le vélo à pédalage assisté ne doit pas être chargé pendant de longues périodes. La surcharge réduit la durée de vie de la batterie et peut entraîner d'autres risques potentiels.

Chargez le vélo à pédalage assisté dans un environnement sec, à l'écart des matériaux inflammables (par exemple, des matériaux qui pourraient exploser en flammes), de préférence à une température interne de 15-25°C, mais jamais inférieure à 0°C ou supérieure à + 45°C.

Ne pas recharger en plein soleil ou près d'un feu.

Ne chargez pas le vélo à pédalage assisté immédiatement après son utilisation. Laissez le vélo à pédalage assisté refroidir pendant une heure avant de le recharger.

Ne laissez jamais le vélo à pédalage assisté sans surveillance pendant la charge. Risque thermique ! Ne connectez jamais la prise de charge CC avec des objets métalliques.

Lisez les sections sur la charge et le stockage ci-dessus pour vous assurer que vous entretenez et manipulez la batterie correctement. Maintenez le vélo à pédalage assisté à l'écart des flammes nues ou d'autres sources de chaleur pour éviter la surchauffe de la batterie. Ne laissez pas le vélo à pédalage assisté exposé à des températures négatives. La chaleur et le froid excessifs peuvent épuiser la batterie.

Évitez de décharger complètement la batterie.

Il est préférable de recharger la batterie tant qu'il reste de la charge. Cela prolonge la durée de vie de la batterie. Lorsque la charge est trop faible, il n'est pas possible de conduire normalement. Cela peut conduire le cycliste à perdre le contrôle ou à tomber.

Veillez à ce que la batterie soit chargée à intervalles réguliers, même si vous n'utilisez pas le vélo à pédalage assisté pendant une période prolongée. Cela évite d'endommager la batterie en raison d'une faible tension pendant une période prolongée.

### **Précautions concernant la batterie :**

La batterie est composée de cellules lithium-ion et d'éléments chimiques dangereux pour la santé et l'environnement. N'utilisez pas le vélo à pédalage assisté s'il dégage des odeurs, des substances ou une chaleur excessive. Ne pas jeter le vélo à pédalage assisté ou la batterie avec les ordures ménagères. L'utilisateur final est responsable de la mise au rebut des équipements électriques et électroniques et des batteries conformément à toutes les réglementations applicables.

### **Ce qu'il faut éviter :**

Ouvrir la batterie ou la démonter, frapper, jeter ou percer la batterie ou coller des objets sur la batterie. Toucher les substances qui s'échappent de la batterie, car elle contient des substances dangereuses. Laisser les enfants ou les animaux domestiques toucher la batterie.

Chargement excessif, déchargement excessif ou court-circuit de la batterie. Immerger ou exposer la batterie à l'eau ou à un autre liquide. L'exposition de la batterie à une chaleur ou un froid excessif.

L'exposition de la batterie à un environnement contenant des gaz explosifs ou des flammes.

Laisser la batterie sous la pluie ou en plein soleil ou dans une voiture chaude en plein soleil.

Remonter ou remettre en place la batterie.

Transporter ou ranger la batterie avec des objets métalliques tels que des épingles à cheveux, des colliers, etc. Conduire le vélo à pédalage assisté pendant la charge.

Utiliser un autre chargeur que celui d'origine.

## 14. Spécifications techniques

### Informations générales

Pneus	20"X 2.125" avec bande réfléchissante
Jantes	magnésium, 6 rayons
Freins	disque mécanique
Levier de vitesse	SHIMANO 6 vitesses
Fourche	magnésio
Pédalier	plateau 44T - 6 pignons (14-16-18-21-24-28T)
Pédales	plastique, refermable
Cadre	magnésium, pliable
Vitesse maximale	25 km/h
Selle	modèle de confort
Tube de selle	aluminium
Guidon	aluminium, caoutchouc
Aile	pliable
Béquille	plastique
Cavalletto	arrière, modèl latéral
Porte-bagages arrière	non inclus
Charge maximale	110kg

### Système électrique

Lumières	LED frontale
Affichage	LCD avec niveaux d'assist d'assistance, voyants ON / OFF, odomètre avec fonctions associées
Moteur	36V, 250W, IP54, arrière
Batterie	SAMSUNG 36V, 10,5Ah, 378Wh intégré au cadre et amovible
Chargeur	entrée : 100-240V, 50-60Hz ,2.5A / sortie : 42V, 2.0A
Temps de charge	4/5 heures
Autonomia	jusqu'à 50 km, ce chiffre dépend du niveau d'assistance utilisé, du poids du cycliste, de la puissance musculaire appliquée lors du pédalage, de la pression des pneus, de la pente de la route, du nombre d'arrêts et de redémarrages

### Dimensions et poids

Poids de la batterie	2.06kg
Poids sans batterie	18.47kg
Poids total.	20.53kg
Dimensions de l'E-bike	1510 x 580 x 1070mm
Dimensions de l'emballage	830 x 420 x 620mm

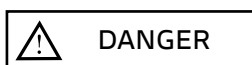


### **Vitesse autorisée**

La vitesse maximale autorisée par la loi est de 25 km/h.

Toute intervention non autorisée par le fabricant sur l'unité de commande implique que le fabricant ne pourra pas être tenu responsable des dommages causés aux personnes et/ou aux choses ; en outre, la garantie du produit acheté sera annulée.

L'unité de commande a été programmée pour ne pas permettre de modifier le paramètre de vitesse maximale.

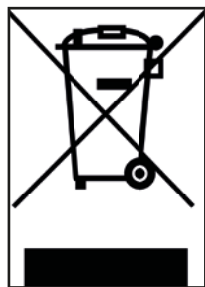


### **Risque de blessure**

Maintenez une vitesse et une conduite adaptées à vos capacités, n'utilisez jamais le vélo à pédalage assisté à plus de 25 km/h car vous pourriez causer des dommages et des blessures graves à vous-même ou à d'autres personnes.



**Mise au rebut des appareils électriques ou électroniques en fin de vie (applicable dans tous les pays de l'Union européenne et dans les autres systèmes européens avec des systèmes de collecte sélective)**



Ce symbole sur le produit ou sur l'emballage indique que le produit ne doit pas être considéré comme un déchet ménager normal, mais doit plutôt être apporté à un point de collecte approprié pour le recyclage des équipements électriques et électroniques (DEEE).

En vous assurant que ce produit est éliminé correctement, vous contribuerez à prévenir les conséquences négatives potentielles pour l'environnement et la santé humaine qui pourraient être causées par une élimination inappropriée. Le recyclage des matériaux permet de préserver les ressources naturelles.

Pour des informations plus détaillées sur le recyclage de ce produit, vous pouvez contacter votre service local d'élimination des déchets ou le point de vente où vous l'avez acheté.

Dans tous les cas, il est nécessaire d'éliminer le produit conformément aux réglementations en vigueur dans le pays d'achat.

Plus précisément, les consommateurs ne doivent pas éliminer les DEEE avec les déchets municipaux, mais doivent éliminer ce type de déchets séparément, de deux manières possibles :

- 1) Dans les centres de collecte municipaux, directement ou par l'intermédiaire des services de collecte des entreprises municipales, lorsque ceux-ci sont disponibles.
- 2) Dans les points de vente d'équipements électriques et électroniques neufs.

Les très petits DEEE (dont le côté le plus long est inférieur à 25 cm) peuvent y être déposés gratuitement, tandis que les plus grands peuvent être déposés sur la base de 1 pour 1, c'est-à-dire que vous pouvez déposer l'ancien produit lorsque vous achetez un nouveau produit ayant la même fonction.

Si vous vous débarrassez d'un équipement électrique ou électronique de manière illégale, les sanctions prévues par la législation en vigueur sur la protection de l'environnement peuvent être appliquées (valable uniquement pour l'Italie).

Si les DEEE contiennent des batteries ou des accumulateurs, ceux-ci doivent être retirés et éliminés via une collecte sélective spécifique.



## Élimination des batteries usagées (applicable dans tous les pays de l'Union européenne et dans les autres systèmes européens dotés d'un système de collecte sélective)



Ce symbole sur le produit ou l'emballage indique que le bloc-batteries ne doit pas être considéré comme un déchet ménager normal. Sur certains types de batteries, ce symbole peut être utilisé en combinaison avec un symbole chimique.

Les symboles chimiques du mercure (Hg) ou du plomb (Pb) sont ajoutés si la batterie contient plus de 0,0005 % de mercure ou 0,004 % de plomb.

En veillant à ce que les batteries soient éliminées correctement, vous contribuerez à prévenir les conséquences négatives potentielles pour l'environnement et la santé qui pourraient autrement être causées par une gestion inappropriée des déchets. Le recyclage des matériaux contribuera à la préservation des ressources naturelles. Lorsque, pour des raisons de sécurité, de performance ou de protection des données, les produits nécessitent une connexion fixe à une batterie/cellule interne, celle-ci ne doit être remplacée que par un personnel de service qualifié.

À la fin de sa durée de vie, remettez le produit à un point de collecte approprié pour l'élimination des équipements électriques et électroniques, ce qui garantira que la batterie à l'intérieur est également éliminée correctement.

Pour des informations plus détaillées sur la mise au rebut de la batterie déchargée ou du produit, vous pouvez contacter votre service local d'élimination des déchets ou le point de vente où vous l'avez acheté.

Dans tous les cas, il est nécessaire d'éliminer le produit conformément aux réglementations en vigueur dans le pays d'achat.

## 15. Conditions de garantie

Tous les produits sont couverts par la « Garantie légale de conformité » conformément à la Directive 2011/83/UE.

La garantie légale est réservée aux consommateurs. Elle s'applique donc uniquement aux utilisateurs qui ont effectué un achat à des fins étrangères à toute activité entrepreneuriale, commerciale, artisanale ou professionnelle exercée.

Pour ceux qui ont acheté les Produits et qui n'ont pas la qualité de consommateurs, la garantie pour les défauts de la chose vendue, la garantie pour le manque de qualité promise et essentielle et les autres garanties prévues par le code civil avec les termes relatifs, la déchéance et les limitations seront appliquées.

Le Vendeur (et donc, en ce qui concerne l'achat des Produits, le Détaillant qui a vendu le Produit à l'utilisateur) est responsable envers le consommateur de tout défaut de conformité existant au moment de la livraison du produit et qui survient dans les deux ans à compter de la date de livraison susmentionnée. Le défaut de conformité doit être signalé au vendeur, sous peine de déchéance de la garantie, dans un délai de deux mois à compter de la date à laquelle il a été constaté.

Sauf preuve contraire, il est présumé que le défaut de conformité qui survient dans les six mois suivant la livraison du produit existait déjà à cette date, à moins que cette présomption ne soit incompatible avec la nature du produit ou avec la nature du défaut de conformité. À partir du septième mois suivant la livraison du produit, il incombe au consommateur de prouver que le défaut de conformité existait déjà au moment de la livraison du produit.

Afin de bénéficier de la Garantie légale, l'acheteur doit d'abord fournir une preuve des dates d'achat et de livraison des biens. Par conséquent, il est conseillé à l'acheteur de conserver tous les documents pouvant attester de l'achat et des dates de livraison (par exemple : reçu, facture, e-mail de confirmation de commande).

Les défauts ou dysfonctionnements causés par des événements accidentels et/ou imputables à la responsabilité de l'Acheteur ou par une utilisation du Produit non conforme à l'usage prévu et/ou prévu dans la documentation technique jointe au Produit, ou dus à un défaut de réglage des parties mécaniques, à l'usure naturelle des matériaux qui s'usent facilement ou causés par des erreurs de montage, un manque d'entretien et/ou une utilisation de celui-ci non conforme aux instructions

Par exemple, les éléments suivants doivent être considérés comme exclus de la Garantie légale relative aux Produits :

- les dommages causés par des chocs, des chutes accidentelles ou des collisions, des perforations ;
- les dommages causés par l'utilisation, l'exposition ou le stockage dans un environnement inadapté (par exemple : présence de pluie et/ou de boue, exposition à l'humidité ou à une chaleur excessive, contact avec du sable ou d'autres substances) ;
- les dommages causés par un défaut de réglage dû à la « mise sur la route » et/ou à l'entretien des pièces mécaniques (frein à disque mécanique, guidon, pneus, etc.) ;



- l'installation incorrecte et/ou le montage incorrect de pièces et/ou de composants, sauf si l'installation et/ou le montage ont été effectués par le vendeur ou sous sa responsabilité et/ou s'ils ont été effectués par le consommateur mais que l'erreur d'installation et/ou de montage est imputable à un manque d'instructions d'installation ;
- l'usure naturelle des matériaux consommables : frein à disque mécanique (par exemple, plaquettes, étriers, disque, câbles), pneus, plates-formes, joints, roulements, feux et ampoules à DEL, béquille, boutons, garde-boue, pièces en caoutchouc (plate-forme), connecteurs de câbles électriques, grilles et autocollants, etc ;
- un entretien et/ou une utilisation inappropriés de la batterie du Produit ;
- l'altération et/ou le forçage de certaines parties du Produit ;
- l'entretien incorrect ou inadéquat ou l'altération du Produit ;
- une utilisation inappropriée du Produit (par exemple : charge excessive, utilisation dans des compétitions et/ou pour des activités commerciales ou de location) ;
- l'entretien, les réparations et/ou les interventions techniques sur le Produit effectuées par des tiers non autorisés ;
- les dommages aux Produits résultant du transport, si celui-ci est effectué par l'Acheteur ;
- les dommages et/ou défauts résultant de l'utilisation de pièces non originales.

Dans le cas où un Produit acheté, pendant la période de validité de la Garantie légale, manifeste ce qui pourrait être un défaut de conformité, l'Acheteur doit contacter le vendeur ; ce dernier répondra rapidement à la communication du défaut de conformité allégué, en indiquant la procédure spécifique à suivre, en tenant également compte de la catégorie à laquelle le Produit appartient et/ou du défaut signalé.



## Déclaration de conformité

M.T. Distribution S.r.l.

Indirizzo: Via Bargellino 10, 40012 Calderara di Reno (BO), Italia

Cette déclaration de conformité est délivrée sous la seule responsabilité du Fabricant

Marque du produit	Ducati
Modèle de produit	MG-20
Description du produit	Vélo électrique
Classement	Produit : CC 36V, 250W

Est conforme aux exigences des Directives du Conseil concernant le rapprochement des législations des États membres relatives à la protection de l'environnement  
Directive 2014/30/UE du Conseil de l'UE Compatibilité électromagnétique UE MD  
2006/42/CE

Normes d'essai :

EN 15194: 2017

EN 55014-1: 2017

EN 61000-3-2: 2014

EN 61000-3-3: 2013

EN 55014-2: 2015

Nom de l'usine : ONEBOT CYCLES Sp.zo.o

Adresse de l'usine : **Prologis Park Wrocław 1, bâtiment DC 1 A, rue Magazynowa 1, 55-040 Bielany Wroclawskie, Pologne**

Date: 07/01/2020

Fiche technique disponible au siège de l'UE

Lieu de déclaration : Bologne, Italie

Prénom et nom de famille : Alessandro Summa

Poste : PDG

MT DISTRIBUTION S.R.L

Via Bargellino 10, 40012, Calderara di Reno (BO), Italie

Personne autorisée : Alessandro Summa

Poste : PDG

### REMARQUE :

Cette déclaration de conformité s'applique uniquement aux vélos électriques vendus dans les pays qui suivent les directives de marquage CE.

Alessandro Summa

**M.T. DISTRIBUTION SRL**

Via Bargellino, 10 b/c

40012 CALDERARA DI RENO (BO)

FORM FISC. 01119840377

NOME COGNOME QUALIFICA

TIMBRO AZIENDALE

# **MG-20**

## Zusammenklappbares E-Bike

### Benutzer- und Wartungshandbuch

Vor der Benutzung des E-Bikes muss dieses richtig und korrekt zusammengebaut und in allen Teilen überprüft werden. Eventuelle Montageschäden oder unsachgemäße Wartung werden nicht von der Garantie abgedeckt.

Für weitere Informationen, technische Unterstützung und Unterstützung wenden Sie sich an Ihren Händler oder besuchen Sie die Website [www.ducatiurbanemobility.com](http://www.ducatiurbanemobility.com)

1. Vorwort
2. Sicherheitshinweis
3. Packliste
4. Beschreibung des E-Bikes (epac)
5. Heben und Transportieren
6. Starten
7. Schnellstart
8. LCD Bildschirm
9. Display Einstellanweisungen
10. Wartungshinweise
11. Anschlussplan
12. Fehlerbehebung
13. Batterie (Warnungen)
14. Technische Spezifikationen
15. Garantie

# 1. Vorwort

## Überblick

Dieses Handbuch ist ein integraler und wesentlicher Bestandteil des Fahrrads mit Tretunterstützung (EPAC) und muss dem Benutzer zur Verfügung gestellt werden.

Vor der ersten Inbetriebnahme des Fahrrads müssen die Benutzer unbedingt die folgenden Bestimmungen lesen, verstehen und strikt einhalten.

Der Hersteller haftet nicht für Personen- und/oder Sachschäden oder Schäden am E-Bike bei unsachgemäßer und nicht bestimmungsgemäßer Verwendung.

Im Hinblick auf die ständige technologische Entwicklung behält sich der Hersteller das Recht vor, Änderungen am Fahrrad mit Tretunterstützung (EPAC) ohne vorherige Ankündigung vorzunehmen, ohne dass dieses Handbuch automatisch aktualisiert wird.

Wir empfehlen, die Website [www.ducatiurbanemobility.com](http://www.ducatiurbanemobility.com) zu besuchen, auf der alle Aktualisierungen oder Änderungen zu diesem Handbuch hochgeladen werden.

## Support-Service

Bei Problemen oder anderen spezifischen Anfragen wenden Sie sich bitte an den Support-Service Ihres autorisierten Ducati Urban e-Mobility-Händlers, der Ihnen qualifiziertes Fachpersonal, spezielle Ausrüstung und Originalersatzteile zur Verfügung stellen kann.

## Grafische Darstellung von Sicherheitshinweisen

Die folgenden grafischen Symbole werden verwendet, um die Sicherheitshinweise in diesem Handbuch zu kennzeichnen. Ihre Funktion besteht darin, die Aufmerksamkeit des Lesers/Benutzers auf sich zu lenken, um die korrekte und sichere Verwendung des Fahrrads mit Tretunterstützung zu gewährleisten.



### Vorsicht walten lassen

Weist auf Verhaltensregeln hin, die einzuhalten sind, um eine Beschädigung des Fahrrades mit Tretunterstützung und/oder das Auftreten gefährlicher Situationen zu vermeiden.



### Restrisiken

Dieser Hinweis weist auf Gefahren hin, die Restrisiken verursachen, auf die der Benutzer achten muss, um Personen- oder Sachschäden zu vermeiden.

### Rechtlicher Hinweis zur Verwendung

Beachten Sie immer die Verkehrsordnung und die verkehrsbezogenen Regeln und Vorschriften, die für Radfahrer im eigenen Land gelten.

## 2. Sicherheitshinweis

### Allgemeine Sicherheitsregeln



#### Benutzung des Fahrrades mit Tretunterstützung

Jeder Benutzer muss dieses Benutzer- und Wartungshandbuch lesen, bevor er das Fahrrad zum ersten Mal benutzt; insbesondere das Kapitel Sicherheitshinweise.



#### Risiken im Zusammenhang mit der Verwendung des Fahrrads mit Tretunterstützung

Um einen sicheren Gebrauch des Fahrrades zu gewährleisten, müssen Sie trotz der Verwendung von Sicherheitseinrichtungen alle Unfallverhütungshinweise in dieser Anleitung beachten.

Bleiben Sie beim Fahrradfahren immer konzentriert und unterschätzen Sie nicht die Restrisiken, die mit der Benutzung des Fahrrads mit Tretunterstützung verbunden sind.

Auch wenn Sie mit der Benutzung von Fahrrädern mit Tretunterstützung bereits vertraut sind, müssen Sie die hier gegebenen Hinweise sowie die allgemeinen Vorsichtsmaßnahmen beachten, die beim Fahren mit einem motorisierten Fahrrad zu

#### Verantwortung

Der Benutzer muss das Fahrrad mit Tretunterstützung mit größter Sorgfalt und unter vollständiger Einhaltung der Straßenverkehrsordnung und aller relevanten Vorschriften für das Radfahren im eigenen Land verwenden.

Der Benutzer muss außerdem das Fahrrad mit Tretunterstützung einwandfrei sauber und instand halten, sorgfältig die in seine Zuständigkeit fallenden Sicherheitskontrollen durchführen, wie im Abschnitt Warnungen und Empfehlungen beschrieben, sowie alle Wartungs-Unterlagen zum Fahrrad mit Tretunterstützung aufbewahren.

Der Benutzer muss die atmosphärischen Bedingungen, die die Benutzung des Fahrrads mit Tretunterstützung gefährlich machen könnten, sorgfältig beurteilen. Zu diesem Zweck empfehlen wir, die Geschwindigkeit zu mäßigen und bei Fahrten bei widrigen Wetterbedingungen und/oder starkem Verkehr einen ausreichenden Bremsweg einzuhalten.

## Warnhinweise für die Benutzer

- Es ist verboten, andere Personen auf dem Rad mitzuführen.
- Konsumieren Sie keinen Alkohol oder Drogen, bevor Sie das Fahrrad mit Tretunterstützung fahren.
- Dieses Fahrradmodell mit Tretunterstützung wurde für den Einsatz im Freien, auf öffentlichen Straßen oder Radwegen entwickelt und gebaut.
- Versuchen Sie nicht, das Fahrrad mit Tretunterstützung zu einer höheren Leistung zu zwingen, als es für die es entwickelt wurde.
- Fahren Sie niemals das Fahrrad mit Tretunterstützung, wenn Teile entfernt wurden.
- Vermeiden Sie unebene Oberflächen und Hindernisse.
- Fahren Sie mit beiden Händen am Lenker.
- Ersetzen Sie abgenutzte und/oder beschädigte Teile, überprüfen Sie vor dem Gebrauch, ob die Schutzvorrichtungen richtig funktionieren.

## Hinweise zur Wartung

Alle Wartungsarbeiten müssen bei abgeklemmter Batterie erfolgen.

Während jeder Wartungsphase müssen die Bediener mit den erforderlichen Unfallverhütungseinrichtungen ausgestattet sein.

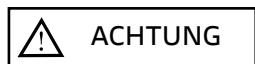
Die für die Wartung verwendeten Werkzeuge müssen geeignet und von guter Qualität sein.

Verwenden Sie kein Benzin oder brennbare Lösungsmittel als Reinigungsmittel, sondern verwenden Sie immer nicht brennbare und ungiftige Mittel.

Begrenzen Sie den Einsatz von Druckluft so weit wie möglich (max. 2 bar) und schützen Sie sich mit einer Schutzbrille mit Seitenschutz.

Verwenden Sie niemals eine offene Flamme als Beleuchtungsmittel, wenn Sie mit der Überprüfung oder Wartung fortfahren.

Stellen Sie nach jedem Wartungs- oder Einstellvorgang sicher, dass sich keine Werkzeuge oder Fremdkörper zwischen den beweglichen Teilen des Fahrrads mit Tretunterstützung befinden.



## Originalersatzteile

Verwenden Sie nur Originalersatzteile von Ducati Urban e-Mobility.

Der Hersteller haftet nicht für Schäden oder Funktionsverluste, die durch die Verwendung von nicht originaleem Zubehör und Teilen entstehen.

## Sonstige Maßnahmen

Das erste, was Sie tun müssen, wenn Sie das Fahrrad benutzen, ist das Vorhandensein und die Unversehrtheit der Schutzvorrichtungen und die Funktion der Sicherheitsvorrichtungen zu überprüfen.

Wenn Sie einen Defekt feststellen, verwenden Sie das Fahrrad mit Tretunterstützung nicht!



## Schutzabdeckungen

Es ist deshalb strengstens untersagt, Batterie- und Kettenschutz usw. sowie Warn- und Typenschilder zu verändern oder zu entfernen.

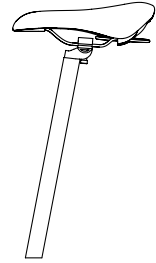
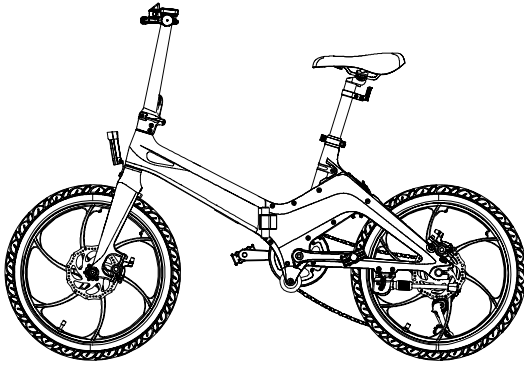
## Einlagerung

Für den Fall, dass das Fahrrad mit Tretunterstützung für längere Zeit ohne Aktivität gelagert werden muss, müssen die folgenden Schritte durchgeführt werden:

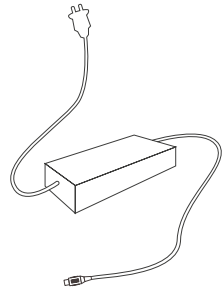
- Positionieren Sie es an einem trockenen und gut belüfteten Ort.
- Führen Sie eine allgemeine Reinigung des Fahrrads durch.
- Nehmen Sie den Akku aus seinem Sitz.
- Lassen Sie das Fahrrad auf dem Ständer stehen.
- Schützen Sie freiliegende elektrische Kontakte mit Antioxidantien.
- Alle Oberflächen, die nicht durch Lacke oder Korrosionsschutzbehandlungen geschützt sind, einfetten.



### 3. Packliste



- Fahrradrahmenkörper
- Sattel + Sattelstütze
- Ladegerät
- Rückstrahler
- Inbusschlüssel (4mm)
- Kotflügel vorne
- Kotflügel hinten
- 2 Batterieschlossschlüssel



## 4. Beschreibung des E-Bikes (epac)



1. Sattel
2. Fahrradrahmen Klappvorrichtung
3. Lenkervorbau Klappvorrichtung
4. Sicherheitsschloss
5. Lenker
6. Bremshebel
7. Vorderlicht
8. Vordere Gabel
9. Scheibenbremse
10. Kotflügel vorne (zu montieren, im Karton enthalten)
11. Kettenrad
12. Kettenradschutzrad
13. Stützrad
14. Pedal
15. Ständer
16. Hintere Kettenschaltung
17. Motor
18. Kotflügel hinten (zu montieren, im Karton enthalten)
19. Sattelstützenklemme
20. Sattelstütze
21. Rückstrahler (zu montieren, im Karton enthalten)
22. Seriennummer

## Nutzungsbedingungen

Das Fahrrad mit Tretunterstützung wurde entwickelt und gebaut, um im Freien, auf öffentlichen Straßen und Radwegen, jedoch immer auf asphaltierten Wegen gefahren zu werden.

Jede Änderung der Bauweise kann die Sicherheit und Stabilität des Fahrrades beeinträchtigen und zu einem Unfall führen.

Andere Verwendungsarten oder Verwendungen, die vom bestimmungsgemäßen Gebrauch abweichen, entsprechen nicht dem vom Hersteller vorgesehenen Verwendungszweck und der Hersteller kann daher für daraus resultierende Schäden nicht mehr haftbar gemacht werden.

Die Batterielebensdauer und damit die geschätzte Laufleistung in km kann je nach Nutzungsart und äußeren Einflüssen stark variieren; bitte beachten Sie folgende besonders einflussreiche Faktoren: Benutzergewicht, Trittfrequenz, am Display gewählte Unterstützungsstufe, Durchschnittsgeschwindigkeit, Profildicke und -verschleiß, Steigung und Fahrbahnbelag, Witterungsverhältnisse.

## Nutzungsumgebung

Das Fahrrad mit Tretunterstützung kann im Freien ohne widrige Wetterbedingungen (Regen, Hagel, Schnee, starker Wind usw.) verwendet werden.

Maximal zulässige Temperatur:

+ 40°C Zulässige Mindesttemperatur:

+ 0°C Maximal zulässige Luftfeuchtigkeit: 80%

Die Nutzungsumgebung muss eine ebene, kompakte asphaltierte Oberfläche haben, die frei von Unebenheiten, Schlaglöchern oder Vertiefungen sowie frei von Hindernissen und Ölflecken ist. Darüber hinaus muss der Einsatzort entweder durch Sonne oder durch Kunstlicht beleuchtet werden, um eine korrekte Sichtbarkeit der Strecke und der Bedienelemente des Fahrrads zu gewährleisten (300 bis 500 Lux empfohlen).



## Verbotene Nutzungsumgebungen

Das Fahrrad mit Tretunterstützung darf nicht verwendet werden:

in feuer- oder explosionsgefährdeten Bereichen; in Umgebungen mit korrosiver und/oder chemisch aktiver Atmosphäre; in schlecht beleuchteten Umgebungen; an Land mit einer Neigung von mehr als 10%; auf unebenem, unbefestigtem Gelände.

## Unsachgemäße Verwendung und Kontraindikationen

Die nachfolgend beschriebenen Handlungen, die natürlich nicht das gesamte Spektrum möglicher "Unsachgemäßer Verwendung" des Tretfahrrades abdecken können, sind als absolut verboten anzusehen.



### Verbotene Handlungen

Durch die Durchführung verbotener Eingriffe und Handlungen erlischt die Garantie.

Der Hersteller lehnt jede Verantwortung für Schäden an Personen und Sachen ab die sich aus der Ausführung verbotener Handlungen ergeben.



### Es ist strengstens untersagt:

Die Verwendung des Fahrrads mit Tretunterstützung für andere Zwecke als die, für die es gebaut wurde, z.B. zur Personenbeförderung.

Die Verwendung des Fahrrads mit Tretunterstützung in explosionsgefährdeten Bereichen.

Die Verwendung des Fahrrads mit Tretunterstützung bei widrigen Wetterbedingungen (strömender Regen, Hagel, Schnee, starker Wind usw.).

Die Beförderung von Personen.

Die Verwendung des Fahrrads mit Tretunterstützung unter Einfluss von Alkohol oder Drogen.

Die Verwendung des Fahrrads mit Tretunterstützung, wenn Ihr Gewicht das zulässige Gewicht überschreitet. Das Laden des Akkus in einer zu heißen oder unzureichend belüfteten Umgebung auf.

Das Abdecken des Akkus während des Ladevorgang.

In der Nähe des Ladebereichs rauchen oder offenes Feuer verwenden.

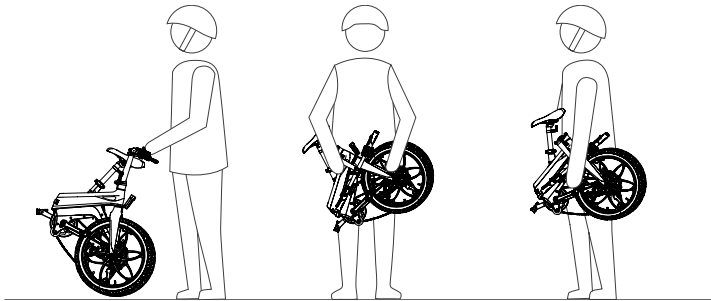
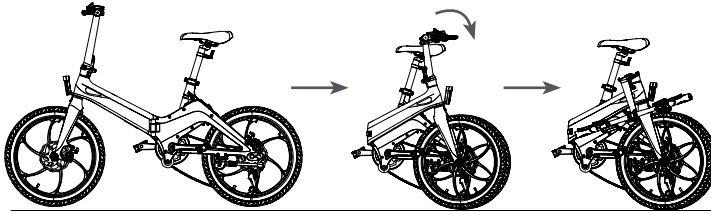
Durchfahren oder anhalten auf Flächen mit einem Gefälle von mehr als 10 % oder unebenen Flächen (unbefestigt, mit Löchern, Vertiefungen, Hindernissen usw.).

Die Durchführung von Wartungsarbeiten mit angeschlossenem Akku. Nicht-Original-Ersatzteile verwenden.

Gliedmaßen oder Finger zwischen die beweglichen Teile des Fahrrads stecken.

Es ist absolut verboten, die Sattelstütze über das Limit von 10 cm hinaus anzuheben, um Brüche am Rahmen zu vermeiden.

## 5. Bewegung und Handhabung



### Zerquetschen und Aufprall

Beim Heben ist äußerste Vorsicht geboten, um Personen- und Sachschäden zu vermeiden.

Der Hersteller haftet nicht für Brüche, die durch das Anheben und/oder den Transport des Fahrrads mit Tretunterstützung nach der Lieferung entstehen.

Das Gewicht des Fahrrads mit Tretunterstützung beträgt ca. 21 kg, das Heben durch zwei erwachsene Personen wird empfohlen.

### Transport

Um ein hohes Maß an Sicherheit beim Transport in Transportern zu gewährleisten, ist es erforderlich, dass sich das Fahrrad nicht bewegen kann. Dies wird erreicht, indem es durch den Ständer gestützt und mit Gurten oder Ankerseilen, in gutem Zustand, festgebunden wird.

Dabei müssen die Befestigungsvorrichtungen so angebracht werden, dass sie den Rahmen und andere Teile des Fahrrads nicht beschädigen.

## 6. Starten

### Akku aufladen

Vor der ersten Benutzung des Fahrrads ist es erforderlich, den Akku mit dem mitgelieferten Ladegerät mindestens 4-6 Stunden lang aufzuladen, bis der Ladevorgang abgeschlossen ist.

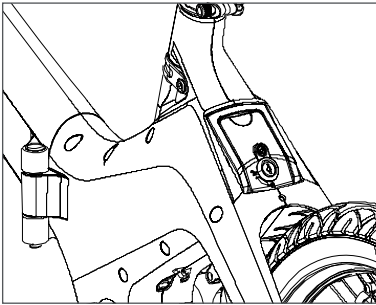
Angetrieben wird das Fahrrad von einem 36V Lithium-Ionen-Akku.

Die durchschnittliche Ladezeit beträgt etwa 4-6 Stunden. Die Akkus sind vom Lithium-Typ.

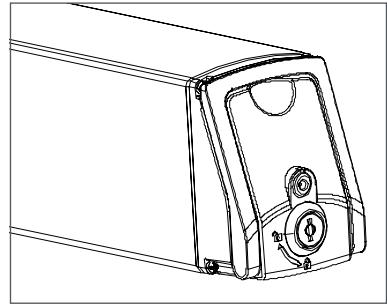
Um die Lebensdauer des Akkus so weit wie möglich zu verlängern, wird eine vollständige Aufladung alle dreißig Tage empfohlen, auch wenn das Fahrrad nicht benutzt wird.

Wir empfehlen, den Akku nach jedem Gebrauch des Fahrrads mit seinem speziellen Akkuladegerät aufzuladen.

**Während des Ladevorgangs leuchtet das rote Licht am Ladegerät, wenn der Ladevorgang abgeschlossen ist, erlischt das rote Licht und das grüne Licht geht an.**

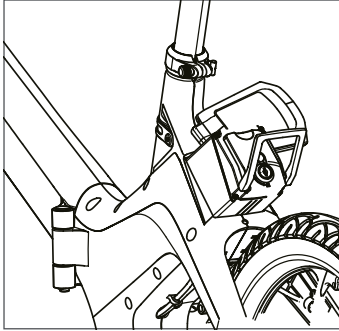


Laden Option eins: Öffnen Sie die Gummikappe am Ladeanschluss und laden Sie auf.

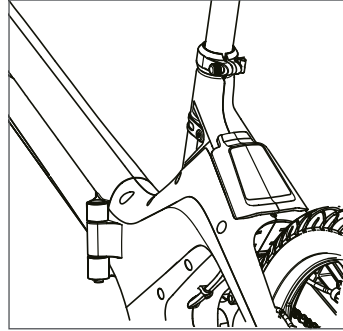


Laden Option zwei: Akku herausnehmen und laden, ohne das Fahrrad bewegen zu müssen.

## Akku demontieren & montieren



1. Schalten Sie das E-Bike aus, entriegeln Sie den Akku und ziehen Sie dann den Akku-Kasten mit dem Hebegriff heraus, wie in der Abbildung gezeigt.



2. Wenn Sie den Akku montieren, verriegeln Sie diesen mit dem Schlüssel und nehmen Sie den Schlüssel weg, drücken Sie den Griff flach und klappen Sie den Fahrradrahmen auf.



**GEFAHR**

### Vorsichtsmaßnahmen beim Laden

Verbinden Sie immer den Stecker mit dem Akku und dann den Netzstecker mit dem Stromnetz.

Ziehen Sie nach dem Aufladen immer zuerst den Stecker aus der Steckdose und dann den Stecker vom Akku ab.

Laden Sie den Akku immer vollständig auf. Verwenden Sie immer Original-Netzteile.

Lassen Sie den Akku nicht länger als 16 Stunden aufladen. Laden Sie immer in einem belüfteten Bereich auf.

Laden Sie den Akku nicht in zu heißer Umgebung auf. Laden Sie den Akku nicht in der Nähe von brennbaren Flüssigkeiten auf.

Decken Sie den Akku während des Ladevorgangs in keiner Weise ab.

Wenn der Akku einen schlechten Geruch abgibt, trennen Sie ihn sofort vom Stromnetz und lüften Sie den Raum, berühren Sie den Akku nicht.

Bewahren Sie den Akku an einem kühlen, trockenen Ort auf, wenn Sie ihn nicht verwenden.

## Fahrbereit machen

Um ein effizientes „Fahren“ des Produkts zu gewährleisten, ist es ratsam, vor der Verwendung des Fahrrads mit Tretunterstützung jedes Teil sorgfältig zu überprüfen und für angemessene Einstelleingriffe der entsprechenden mechanischen Komponenten direkt oder mit Unterstützung von Fachpersonal zu sorgen; z.B Einstellen und Festziehen von Lenker und Vorbau, Einstellen und Festziehen von Sattel und Sattelstütze, Einstellen der Bremsen, Einstellen des Getriebes, Reifendruckkontrolle, Ketten- und Getriebebeschmierung, Korrektes Anziehen der Befestigungsschrauben Kontrolle und allgemeine Überprüfung aller Teile. Es wird empfohlen, diesen Vorgang von qualifiziertem Personal durchführen zu lassen.

## Räder

Prüfen Sie den Reifenfülldruck anhand der Werte auf der Reifenschulter. Überprüfen Sie den Verschleißzustand des Gummis: Es dürfen keine Schnitte, Risse, Fremdkörper, abnormale Schwellungen, freiliegende Leinwand und andere Beschädigungen vorhanden sein.

## Bremssystem

Prüfen Sie die Funktion der Bremsen mit einem Bremstest bei niedriger Geschwindigkeit (max. 6 km/h) in einer hindernisfreien Zone, zuerst mit der Hinterradbremse und dann mit der Vorderradbremse.



## Negative Ergebnisse bei den Kontrollen

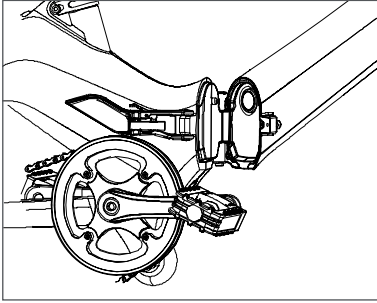
Sollten bei den Vorkontrollen Mängel jeglicher Art festgestellt werden und auch nur eine einzige Kontrolle negativ ausfallen, **fahren Sie nicht mit dem Fahrrad.**

Aktivieren Sie sofort alle Maßnahmen, um eine ordnungsgemäße Einstellung vorzunehmen, und kontaktieren Sie ggf. den Support.

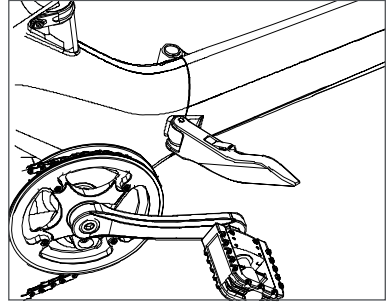


## 7. Schnellstart

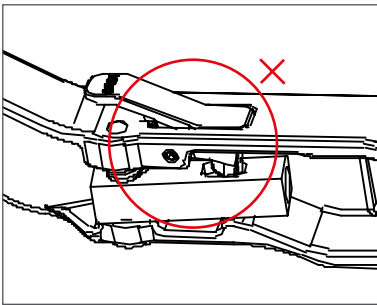
### Fahrrad aufklappen



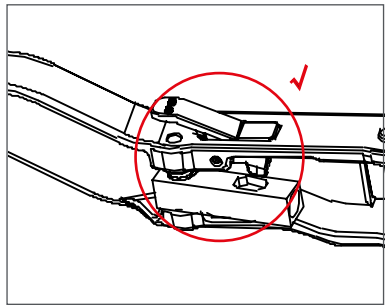
1. Fahrradkörper festhalten, Rahmen aufklappen.



2. Wie in der Abbildung gezeigt, verriegeln Sie die Klemme, bitte beenden Sie Schritt 3) und 4), bevor Sie die Klemme verriegeln.

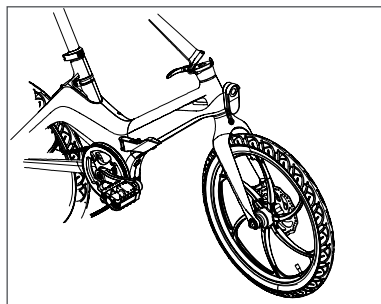


3. Wenn sich der Verschluss in der Position, wie im Bild gezeigt, befindet, müssen Sie ihn nach unten drücken, um das konvexe Stück zu lösen.

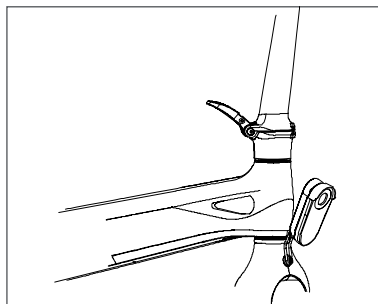


4. Wenn sich der Verschluss in der Position, wie im Bild gezeigt, befindet, können Sie Schritt 2) ausführen, um den Rahmen zu verriegeln.

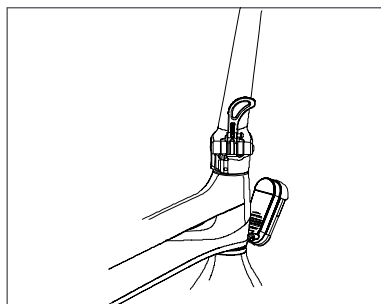
## Vorbau aufklappen



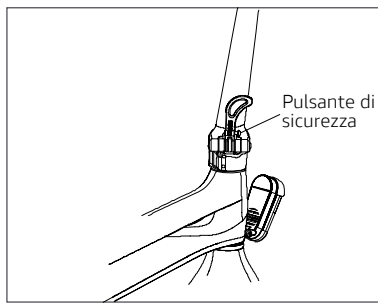
1. Halten Sie den Fahrradkörper fest und drehen Sie den Vorbau aufrecht, um sicherzustellen, dass der Vorbau korrekt mit der Unterseite ausgerichtet ist.



2. Festigen Sie den Klappschlüssel direkt in Richtung Vorbau.



3. Schütteln Sie den Vorbau leicht und prüfen Sie, ob die Sicherheitsschnalle vollständig geschlossen ist.



4. Beim Zusammenklappen des Vorbaus müssen Sie die Sicherheitsschnalle drücken und dann den Klappschlüssel öffnen.

## Lenker montieren



1. Lösen Sie mit dem M4-Inbusschlüssel die Schraube des Vorbaus und nehmen Sie die Klemme ab.

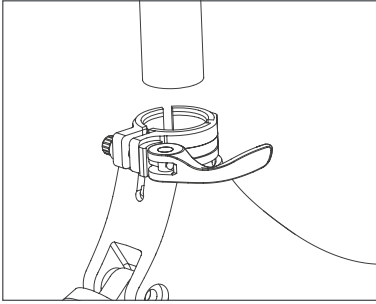


2. Setzen Sie die Klemme auf die Mitte des Lenkers und ziehen Sie die Schrauben mit einem M4-Inbusschlüssel fest.

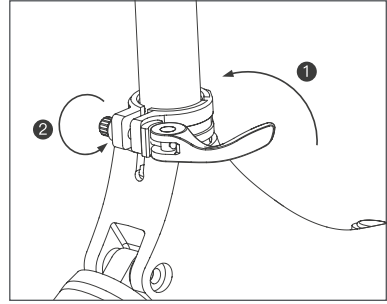


3. Prüfen Sie den Lenker vor der Fahrt auf Festigkeit und korrekte Position.

## Montage der Sattelstütze

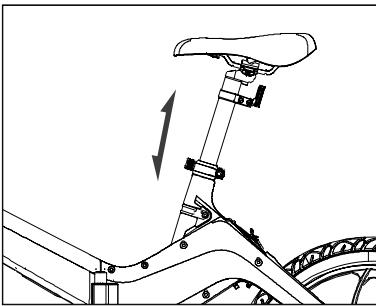


1. Lösen Sie die Sattelstützenklemme, halten Sie das Fahrrad stabil, setzen Sie die Sattelstütze in den Rahmen ein.

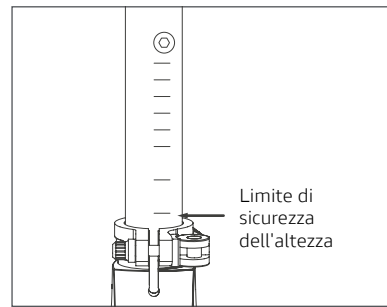


2. Stellen Sie die Schraube ein, ziehen Sie die Klemme fest und drücken Sie dann den Sattel in voller Neigung, um sicherzustellen, dass die Sattelstütze fest genug arretiert und sich nicht dreht oder sich nach oben und unten bewegt.

## Einstellung der Sattelhöhe

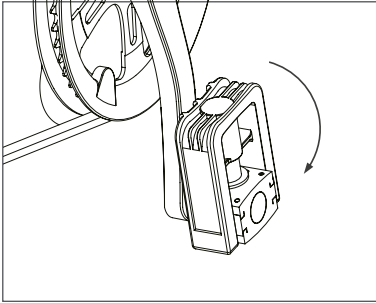


1. Wenn Sie die Höhe des Sattels einstellen müssen, lösen Sie zuerst die Sattelstützenklemme, dann bringen Sie die Sattelstütze in die gewünschte Höhe und ziehen Sie die Sattelstützenklemme fest.

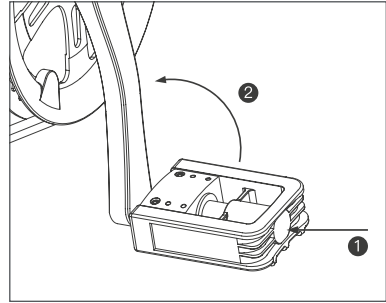


2. Die Sattelhöhe darf die Mindestgrenze der Sicherheitshöhe des Einsatzes nicht überschreiten.

## Aus- und Einklappen der Pedale

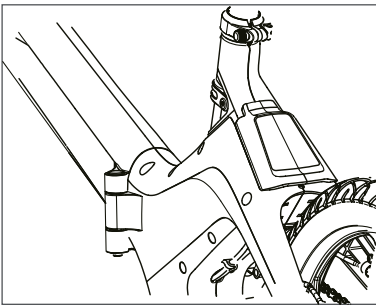


1. Halten Sie die Fahrzeugkarosserie fest und klappen Sie die Pedale aus.



2. Drücken Sie das Pedal in Richtung Kurbel und klappen Sie es hoch.

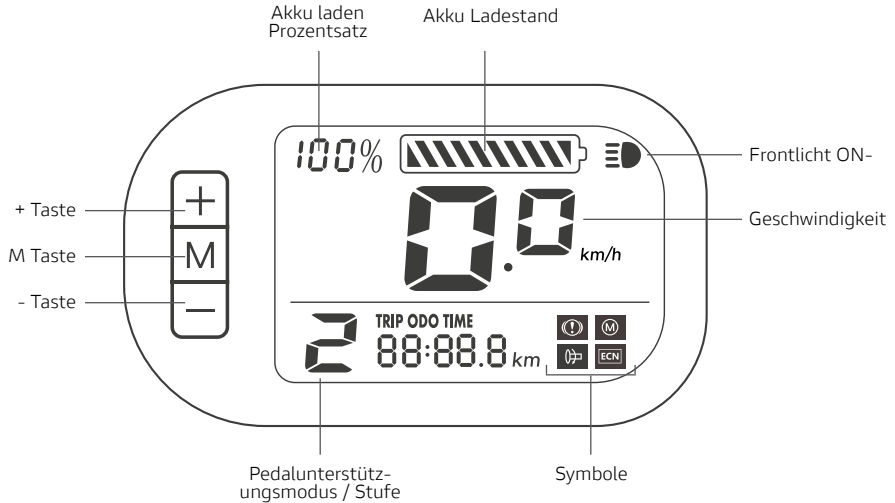
## Einschaltvorgang



1. Laden Sie den Akku vor der ersten Fahrt auf.

Anmerkung: Wenn der Ladevorgang abgeschlossen ist, decken Sie bitte den Stecker ab, um das Eindringen von Wasser in den Ladeanschluss zu vermeiden.

## 8. LCD Bildschirm



### Tasten Funktionen:

**Taste M** : Multifunktionstaste, 3 Sekunden lang gedrückt halten, um das Fahrrad ein- und auszuschalten, ON/OFF; kurz drücken, um die Anzeige von Einzelfahrtkilometer, Gesamtkilometer und Fahrzeit umzuschalten.

**Taste +** : 3 Sekunden lang gedrückt halten, um das Frontlicht ein- und auszuschalten.

**Taste +** : Kurz drücken, um den Geschwindigkeitsmodus zu erhöhen.

**Taste -** : Kurz drücken, um den Geschwindigkeitsmodus zu reduzieren.



Die Akkuanzeige ist voll, wenn der Akku Ihres Fahrrads mit Tretunterstützung vollständig aufgeladen ist. Die Akkuanzeige sinkt, wenn das Fahrrad mit Tretunterstützung verwendet wird. Die Akkuanzeige kann je nach Nutzung des Fahrrads mit Tretunterstützung im Ladezustand schwanken, z. B. an einer Steigung. Der Ladezustand der Akkuanzeige kann schnell sinken, da Sie viel mehr Akkuleistung Ihres Fahrrads mit Tretunterstützung verbrauchen.

Um eine optimale Nutzung und Wartung des Akkus zu gewährleisten, wird empfohlen, den Akku nach jedem Gebrauch vollständig aufzuladen.

## Bedeutung der Symbole:



Zeigt an, dass das Frontlicht



eingeschaltet ist Zeigt an, dass die Bremse funktioniert



Zeigt an, dass der Gashebel nicht oder nicht richtig funktioniert.



Zeigt an, dass der Motor nicht oder nicht richtig funktioniert.



Zeigt an, dass der Controller nicht oder nicht richtig funktioniert

## TRIP ODO TIME

88:88.8

Wechseln Sie zwischen Einzelfahrtkilometer,  
Gesamtkilometer und Laufzeit

## 9. Display Einstellanweisungen

1. Drücken Sie + und - gleichzeitig für 3s der Einstellschnittstelle P0.
2. Wiederherstellen der Werkseinstellung: Drücken Sie + für etwa 30s in P0 und der Einstellungsmodus wird automatisch verlassen.



### 3. Km/Meile-Schalter:

- A. Drücken Sie die M-Taste und schalten Sie von P0 auf P1 um
- B. Drücken Sie in P1 +/-, um Km/Meile zu wechseln. 0=km, 1=Meile
- C. Drücken Sie +&- gleichzeitig, um den Einstellungsmodus zu verlassen. Oder verlassen Sie den Einstellungsmodus automatisch nach 15s.





4. Geschwindigkeit leicht anpassen:

A. Drücken Sie die M-Taste und schalten Sie von P0 auf P2 um

P2 kann die im Display angezeigte Geschwindigkeit nur geringfügig anpassen, die tatsächliche Geschwindigkeit kann nicht geändert werden.

B. Drücken Sie +/-, um die Daten zu ändern. Die richtige Einstellung ist 15,6 für 16-Zoll-Räder, 18,5 für 20-Zoll-Räder. Je höher die Werte sind, desto höher ist die Geschwindigkeit in der Anzeige (die tatsächliche Geschwindigkeit wird nicht geändert).



## 10. Wartungshinweise

**Alle Wartungsarbeiten müssen bei ausgeschaltetem System, abgeklemmtem Akku und auf dem Ständer stehendem Fahrrad durchgeführt werden.**

Nach jeder routinemäßigen Wartung wird eine Überprüfung der einwandfreien Funktion aller Bedienelemente empfohlen.

Dieses Handbuch geht nicht auf die Demontage und nicht routinemäßige Wartung ein, da diese Arbeiten immer ausschließlich von den Kundendienstmitarbeitern Ihres autorisierten Ducati Urban e-Mobility-Händlers durchgeführt werden müssen.

Der Kundendienst kann Ihnen alle nötigen Informationen geben und alle Ihre Fragen zur perfekten Pflege und Wartung Ihres Fahrrads beantworten.



### Negative Ergebnisse bei den Kontrollen

- Wenn auch nur eine einzige Überprüfung ein negatives Ergebnis liefert, **fahren Sie nicht mit dem Fahrrad mit Tretunterstützung.**
- Ergreifen Sie sofort alle Maßnahmen, um eine geeignete Reparatur durchzuführen und wenden Sie sich ggf. an den Kundendienst Ihres Händlers.

### Waschen

Die Reinigung des Fahrrads ist nicht nur Anstandssache, sondern ermöglicht es auch, jeden Defekt am Fahrrad sofort zu erkennen.

Um die Funktion der verschiedenen Komponenten, insbesondere der elektrischen Teile, nicht zu beschädigen oder zu beeinträchtigen, muss die Reinigung unter Einhaltung bestimmter Vorsichtsmaßnahmen durchgeführt werden. Es ist absolut verboten, unter Druck stehende Wasserstrahlen auf die elektrischen Teile, den Motor, das Display und den Akku zu richten; es wird daher das Waschen mit Schwämmen empfohlen.

Bevor Sie das Fahrrad mit Tretunterstützung starten, trocknen Sie es vollständig mit einem Tuch oder Papier und achten Sie darauf, die lackierten Teile nicht zu zerkratzen. Vermeiden Sie die Verwendung von Druckluft, insbesondere im Nahbereich und bei hohem Druck. Stellen Sie sicher, dass sich keine Restfeuchtigkeit auf den elektrischen Komponenten befindet.

### Kettenschmierung

Es ist wichtig, die Kette regelmäßig zu schmieren, um übermäßigen Verschleiß zu vermeiden und ihre Lebensdauer zu verlängern.

1. Reinigen Sie die Kettenglieder über die gesamte Länge mit einem Lappen.
2. Sprühen Sie alle Kettenglieder mit einem speziellen Schmierspray für Antriebsketten ein.

## Überprüfung der Teile

Der Tragrahmen des Fahrrades mit Tretunterstützung und die Schweißnähte müssen frei von sichtbaren Mängeln sein wie: Risse, Verformungen, Einschnitte, Korrosion usw.

Stellen Sie sicher, dass alle Schrauben und die Pedale des Fahrrads mit Tretunterstützung richtig angezogen sind.

Überprüfen Sie den Zustand und die Befestigung des Akkus, die Elektrokabelmuffen müssen in gutem Zustand sein und die Pole müssen fest angezogen und nicht korrodiert sein.

Überprüfen Sie den Ladezustand des Akkus anhand der Anzeige auf dem Lenkerdisplay.

Wir empfehlen, den Akku immer nach jeder Benutzung des Fahrrads aufzuladen.

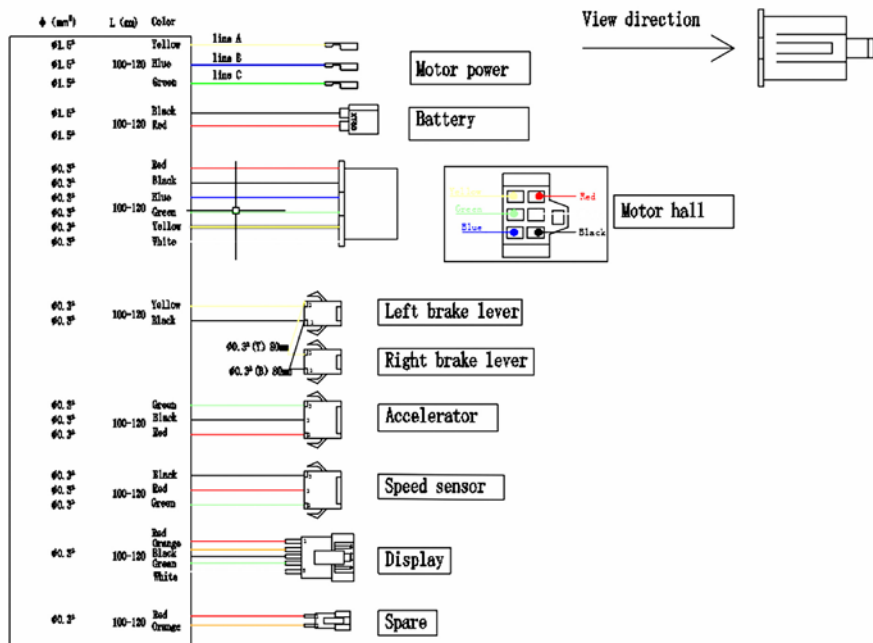
Über das Füllventil an den Felgen den Fülldruck der Reifen mit Kompressor und Manometerpistole oder Werkstattpumpe prüfen.

Überprüfen Sie den Zustand der Lauffläche, die Felge und die Befestigung der Felgen an den Naben. Wenn Sie die Reifen ersetzen müssen, wenden Sie sich an den Kundendienst oder einen qualifizierten Reifenhändler.





Die Bremsen müssen so eingestellt sein, dass eine effektive Bremsung gewährleistet ist, und gleichzeitig müssen die Steuerhebel einen ausreichenden Bereich für das modulierende Bremsen haben, d. h. die Bremsen dürfen weder zu locker noch zu fest sein.

# 11. Anschlussplan

## 250W Controller



## 12. Fehlerbehebung

Display Anzeige	Gründe	Lösungen
Bremse 	Zeigt an, dass die Bremse angezogen ist	/
	Bremshebel kehrt nicht in Normalstellung zurück	Drücken Sie den Bremshebel einige Male, um ihn zurück kehren zu lassen. Durch neuen Bremshebel ersetzen
Beschleunigerfehler 	Ohne Beschleuniger	/
	Gaskabel, Gaspedal oder Stecker kaputt/beschädigt	Durch neues Kabel, Gaspedal ersetzen
Motorfehler 	Anschlüsse zwischen Beschleuniger und Controller sind nicht gut verbunden	Wieder korrekt anschließen
	Motor funktioniert nicht	Durch neuen Motor ersetzen
	Kabel oder Stecker sind gebrochen/beschädigt	Durch neues Kabel ersetzen
Controller-Fehler 	Motor kabel ist nicht richtig oder falsch angeschlossen	Wieder korrekt anschließen
	Controller ist defekt	Durch neuen Controller ersetzen

## 13. Akku (Warnungen)

### Akkuanzeige

Die Akkuanzeige ist voll, wenn der Akku Ihres Fahrrads mit Tretunterstützung vollständig aufgeladen ist. Die Akkuanzeige sinkt, wenn das Fahrrad mit Tretunterstützung verwendet wird. Die Akkuanzeige kann je nach Nutzung des Fahrrads mit Tretunterstützung im Ladezustand schwanken, z. B. an einer Steigung. Der Ladezustand der Akkuanzeige kann schnell sinken, da Sie viel mehr Akkuleistung Ihres Fahrrads mit Tretunterstützung verbrauchen.

Um eine optimale Nutzung und Wartung des Akkus zu gewährleisten, wird empfohlen, den Akku nach jedem Gebrauch vollständig aufzuladen.

Stellen Sie sicher, dass das Fahrrad mit Tretunterstützung, das Ladegerät und der Ladeanschluss trocken sind.

Wenn das Fahrrad mit Tretunterstützung vollständig aufgeladen ist, wechselt die LED-Leuchte am Ladegerät von Rot (Laden) auf Grün (Laden abgeschlossen).

Verwenden Sie nur das Original-Ladegerät. Andere Ladegeräte können das Gerät beschädigen und andere potenzielle Risiken darstellen.

Das Fahrrad sollte nicht über längere Zeit geladen werden. Ein Überladen verkürzt die Batterielebensdauer und kann andere potenzielle Risiken verursachen.

Laden Sie das Fahrrad mit Tretunterstützung in einer trockenen Umgebung, entfernt von brennbaren Materialien (z.B. Materialien, die in Flammen explodieren könnten), vorzugsweise bei einer Innentemperatur von 15-25°C, jedoch niemals unter 0°C oder über + 45°C.

Nicht in direkter Sonneneinstrahlung oder in der Nähe eines Feuers aufladen.

Laden Sie das Fahrrad mit Tretunterstützung nicht unmittelbar nach dem Gebrauch auf. Lassen Sie das Fahrrad mit Tretunterstützung eine Stunde lang abkühlen, bevor Sie es aufladen.

Lassen Sie das Fahrrad mit Tretunterstützung während des Ladevorgangs niemals unbeaufsichtigt. Thermische Gefahr! Verbinden Sie die DC-Ladebuchse niemals mit Metallgegenständen.

Lesen Sie die obigen Abschnitte zum Laden und Lagern, um sicherzustellen, dass Sie den Akku richtig pflegen und handhaben. Halten Sie das Fahrrad mit Tretunterstützung von offenen Flammen oder anderen Wärmequellen fern, um eine Überhitzung des Akkus zu vermeiden. Setzen Sie das Fahrrad mit Tretunterstützung nicht eisigen Temperaturen aus. Sowohl übermäßige Hitze als auch starke Kälte können den Akku entladen.

Vermeiden Sie eine vollständige Entladung des Akkus.

Am besten laden Sie den Akku auf, solange noch etwas Ladung vorhanden ist. Dies verlängert die Lebensdauer der Batterie. Wenn die Ladung zu niedrig ist, ist es nicht möglich, normal zu fahren. Dies kann dazu führen, dass der Fahrer die Kontrolle verliert oder herunterfällt.

Stellen Sie sicher, dass der Akku in regelmäßigen Abständen aufgeladen wird, auch wenn Sie das Fahrrad mit Tretunterstützung längere Zeit nicht benutzen. Dadurch wird eine Beschädigung des Akkus durch Unterspannung über einen längeren Zeitraum verhindert.

### **Vorsichtsmaßnahmen für den Akku:**

Der Akku besteht aus Lithium-Ionen-Zellen und chemischen Elementen, die gesundheits- und umweltgefährdend sind. Benutzen Sie das Fahrrad mit Tretunterstützung nicht, wenn es Gerüche, Substanzen oder übermäßige Hitze abgibt. Entsorgen Sie das Fahrrad oder den Akku nicht im Hausmüll. Der Endverbraucher ist für die Entsorgung von Elektro- und Elektronikgeräten sowie Batterien in Übereinstimmung mit allen geltenden Vorschriften verantwortlich.

### **Was man vermeiden sollte:**

Öffnen oder Zerlegen des Akkus, Schlagen, Werfen oder Durchstechen des Akkus oder Ankleben von Gegenständen am Akku. Berühren von aus dem Akku austretenden Substanzen, da diese gefährliche Stoffe enthalten. Zulassen, dass Kinder oder Haustiere den Akku berühren.

Überladen, zu starkes Entladen oder Kurzschließen des Akkus. Eintauchen oder Aussetzen des Akkus in Wasser oder andere Flüssigkeiten. Setzen Sie den Akku übermäßiger Hitze oder Kälte aus.

Den Akku einer Umgebung mit explosiven Gasen oder Flammen aussetzen.

Den Akku im Regen oder direkter Sonneneinstrahlung oder in einem heißen Auto in direkter Sonneneinstrahlung lagern.

Akku wieder zusammenbauen oder einbauen.

Tragen oder Aufbewahren des Akkus zusammen mit Metallgegenständen wie Haarnadeln, Halsketten usw. Fahren mit dem Fahrrad mit Tretunterstützung während des Ladevorgangs.

Verwendung eines anderen Ladegeräts als das Original.

# 14. Technische Spezifikationen

## Allgemeine Informationen

Reifen	20 "X 2.125" mit reflektierendem Band
Felgen	Magnesium, 6-Speichen
Bremsen	mechanische Scheibenbremse
Schalthebel	SHIMANO 6-Gang
Gabel	Magnesium
Kettengarnitur	Kettenblatt 44Z - 6 Ritzel (14-16-18-21-24-28Z)
Pedale	Kunststoff, wiederverschließbar
Rahmen	Magnesium, klappbar
Max. Geschwindigkeit	25 km/h
Sitz	Komfortmodell
Sitzrohr	Aluminium
Lenker	Aluminium, klappbar
Griffe	Gummi
Kotflügel Ständer	Plastik
Ständer	Heck, Seitenmodell
Gepäckträger	nicht enthalten
Tragfähigkeit	110kg

## Elektrisches System

Lichter	LED-Front
Display	LCD mit Unterstützungsstufen, ON / OFF-Lichter, Kilometerzähler mit zugehörigen Funktionen
Motor	36V, 250W, IP54, Rückseite
Akku	SAMSUNG 36V, 10.5Ah, 378Wh im Rahmen integriert und abnehmbar
Ladegerät	input: 100-240V, 50-60Hz, 2.5A / output: 42V, 2.0A
Ladezeit	4/5 Stunden
Autonomie	bis 50 km, dieser Wert ist abhängig von: Inanspruchnahme der Unterstützung, Gewicht des Radfahrers, beim Treten aufgebrauchte Muskelkraft, Reifendruck, Straßenneigung, Anzahl der Stopps und Neustarts

## Abmessungen und Gewichte

Gewicht Akku	2.06kg
Gewicht m/o Akku	18.47kg
Gesamtgewicht	20.53kg
E-bike Abmessungen	1510 x 580 x 1070mm
Packmaße	830 x 420 x 620mm





### **Zulässige Geschwindigkeit**

Die gesetzlich zulässige Höchstgeschwindigkeit beträgt 25 km/h.

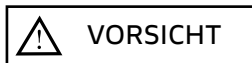
Vom Hersteller nicht autorisierte Eingriffe an der Steuerung bedeuten, dass der Hersteller nicht für Personen- und/oder Sachschäden haftbar gemacht werden kann; außerdem erlischt die Garantie für das gekaufte Produkt.

Das Steuergerät wurde so programmiert, dass keine Änderungen der Höchstgeschwindigkeit-Parameter möglich sind.

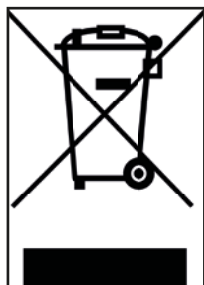


### **Verletzungsgefahr**

Halten Sie eine Geschwindigkeit und ein Verhalten ein, das Ihren Fähigkeiten entspricht, benutzen Sie das Fahrrad mit Tretunterstützung niemals mit mehr als 25 km/h, da Sie sich selbst oder anderen Personen ernsthaften Schaden zufügen und sich verletzen können.



**Entsorgung von Elektro- oder Elektronikgeräten am Ende ihrer Lebensdauer (gültig in allen Ländern der Europäischen Union und in anderen europäischen Systemen mit getrennten Sammelsystemen)**



Dieses Symbol auf dem Produkt oder auf der Verpackung weist darauf hin, dass das Produkt nicht als normaler Hausmüll zu betrachten ist, sondern an einer geeigneten Sammelstelle für das Recycling von Elektro- und Elektronikgeräten (WEEE) abgegeben werden sollte.

Indem Sie sicherstellen, dass dieses Produkt ordnungsgemäß entsorgt wird, tragen Sie dazu bei, potenzielle negative Folgen für die Umwelt und die menschliche Gesundheit zu vermeiden, die andernfalls durch unsachgemäße Entsorgung verursacht werden könnten. Das Recycling von Materialien hilft, natürliche Ressourcen zu schonen.

Ausführlichere Informationen zum Recycling dieses Produkts erhalten Sie von Ihrem örtlichen Abfallentsorgungsdienst oder der Verkaufsstelle, bei der Sie das Fahrrad gekauft haben.

In jedem Fall ist es erforderlich, das Produkt gemäß den im Kaufland geltenden Vorschriften zu entsorgen.

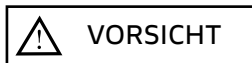
Insbesondere dürfen Verbraucher Elektro- und Elektronik-Altgeräte (WEEE) nicht als Siedlungsabfall entsorgen, sondern müssen diese Art von Abfällen getrennt auf zwei Arten entsorgen:

- 1) Bei kommunalen Sammelstellen, direkt oder über die Sammeldienste der kommunalen Unternehmen, sofern diese verfügbar sind.
- 2) An Verkaufsstellen, die neue Elektro- und Elektronikgeräte verkaufen.

Hier können sehr kleine Elektro- und Elektronikaltgeräte (mit der längsten Seite weniger als 25 cm) kostenlos belassen werden, während größere im 1-zu-1-Verfahren belassen werden können, d. h. Sie können das alte Produkt belassen, wenn ein neues mit der gleichen Funktion gekauft wird.

Sollten Sie Elektro- oder Elektronikgeräte widerrechtlich entsorgen, können die Strafen der geltenden Umweltschutzgesetze verhängt werden (gilt nur für Italien).

Wenn Elektro- und Elektronik-Altgeräte Batterien oder Akkumulatoren enthalten, müssen diese entfernt und über eine gesonderte Abfallsammlung entsorgt werden.



## Entsorgung verbrauchter Batterien/Akkus (gilt in allen Ländern der Europäischen Union und in anderen europäischen Systemen mit getrenntem Sammelsystem)



Questo simbolo sul prodotto o sulla confezione indica che la pila-batteria non deve essere considerato un normale rifiuto domestico. Su alcuni tipi di pile questo simbolo potrebbe essere utilizzato in combinazione con un simbolo chimico.

I simboli chimici del Mercurio (Hg) o del Piombo (Pb) sono aggiunti se la batteria contiene più dello 0,0005% di mercurio o dello 0,004% di piombo.

Indem Sie sicherstellen, dass der Akku ordnungsgemäß entsorgt werden, tragen Sie dazu bei, mögliche negative Folgen für Umwelt und Gesundheit zu vermeiden, die andernfalls durch unsachgemäße Abfallbehandlung verursacht werden könnten. Materialrecycling trägt dazu bei, natürliche Ressourcen zu schonen. Wenn Produkte aus Sicherheits-, Leistungs- oder Datenschutzgründen eine feste Verbindung zu einer internen Batterie/Zelle erfordern, darf diese nur von qualifiziertem Servicepersonal ausgetauscht werden.

Geben Sie das Produkt am Ende seiner Lebensdauer an einer für die Entsorgung von Elektro- und Elektronikgeräten geeigneten Sammelstelle ab, damit auch die darin enthaltene Batterie ordnungsgemäß entsorgt wird.

Nähere Informationen zur Entsorgung der leeren Batterie oder des Produkts erhalten Sie von Ihrem örtlichen Entsorgungsdienst oder der Verkaufsstelle, bei der Sie das Produkt erworben haben.

In jedem Fall ist es erforderlich, das Produkt gemäß den im Kaufland geltenden Vorschriften zu entsorgen.

## 15. Garantie

TAlle Produkte unterliegen der „Gesetzlichen Konformitätsgarantie“ gemäß der Richtlinie 2011/83/EU.

Die gesetzliche Garantie ist Verbrauchern vorbehalten. Sie gilt daher nur für Nutzer, die einen Kauf zu Zwecken getätigt haben, die keiner unternehmerischen, gewerblichen, handwerklichen oder beruflichen Tätigkeit zugerechnet werden können.

Für diejenigen, die die Produkte gekauft haben und nicht Verbraucher sind, findet die Garantie für Mängel der verkauften Sache, die Garantie für das Fehlen der versprochenen und wesentlichen Qualität und die anderen Garantien des Bürgerlichen Gesetzbuches mit den entsprechenden Bedingungen, Verfall und Beschränkungen, Anwendung.

Der Verkäufer (und daher beim Kauf der Produkte der Einzelhändler, der das Produkt an den Benutzer verkauft hat) haftet gegenüber dem Verbraucher für jede Vertragswidrigkeit, die zum Zeitpunkt der Lieferung des Produkts besteht und innerhalb von zwei Jahren, ab dem vorgenannten Liefertermin, auftritt. Die Vertragswidrigkeit muss dem Verkäufer, unter Androhung des Verfalls der Garantie, innerhalb von zwei Monaten ab dem Datum der Entdeckung gemeldet werden.

Sofern nichts Gegenteiliges nachgewiesen wird, wird vermutet, dass die Vertragswidrigkeit, die innerhalb von sechs Monaten nach Lieferung des Produkts auftritt, bereits zu diesem Zeitpunkt bestand, es sei denn, diese Annahme ist mit der Art des Produkts oder der Art der Vertragswidrigkeit unvereinbar. Ab dem siebten Monat nach Lieferung des Produkts obliegt es dem Verbraucher zu beweisen, dass die Vertragswidrigkeit bereits bei Lieferung des Produkts bestand.

Um die gesetzliche Garantie in Anspruch nehmen zu können, muss der Käufer zunächst den Kauf- und Liefertermin der Ware nachweisen. Daher empfiehlt es sich für den Käufer, alle Dokumente aufzubewahren, die die Kauf- und Liefertermine belegen können (z.B: Quittung, Rechnung, Auftragsbestätigungs-E-Mail).

Alle Mängel oder Fehlfunktionen, die auf zufällige Ereignisse und/oder auf die Verantwortung des Käufers zurückzuführen sind, oder durch eine Verwendung des Produkts, die nicht der bestimmungsgemäßen Verwendung und/oder der dem Produkt beiliegenden technischen Dokumentation entspricht, oder aufgrund einer nicht erfolgten Einstellung die mechanischen Teile, natürliche Abnutzung von Materialien, die leicht abgenutzt werden oder durch Montagefehler, mangelnde Wartung und/oder nicht bestimmungsgemäße Verwendung derselben verursacht werden

Ausgeschlossen von der gesetzlichen Gewährleistung für die Produkte sind beispielsweise:

- Schäden durch Stöße, Stürze oder Kollisionen, Reifenpannen;
- Schäden durch Verwendung, Exposition oder Lagerung in einer ungeeigneten Umgebung (z. B.: Regen und/oder Schlamm, Feuchtigkeit oder übermäßige Hitze, Kontakt mit Sand oder anderen Stoffen);
- Schäden durch Nichteinstellen durch „Fahren auf die Straße“ und/oder Wartung mechanischer Teile (mechanische Scheibenbremse, Lenker, Reifen usw.);

- unsachgemäße Installation und/oder falsche Montage von Teilen und/oder Komponenten, es sei denn, die Installation und/oder Montage wurde vom Verkäufer oder unter seiner Verantwortung und/oder vom Verbraucher durchgeführt, aber der Fehler bei der Installation und /oder die Montage auf eine fehlende Montageanleitung zurückzuführen ist;
- der natürliche Verschleiß von Verbrauchsmaterialien: mechanische Scheibenbremse (z. B. Beläge, Bremssättel, Scheiben, Kabel), Reifen, Plattformen, Dichtungen, Lager, LED-Leuchten und -Glühbirnen, Ständer, Knöpfe, Schutzbleche, Gummiteile (Plattform), Kabel-Anschlüsse, Gitter und Aufkleber usw.;
- unsachgemäße Wartung und/oder unsachgemäße Verwendung der Batterie des Produkts;
- Manipulieren und/oder Erzwingen von Teilen des Produkts;
- falsche oder unzureichende Wartung oder Änderung des Produkts;
- unsachgemäße Verwendung des Produkts (z. B.: Überlastung, Verwendung bei Wettbewerben und/oder für gewerbliche oder Vermietungsaktivitäten);
- Wartung, Reparaturen und/oder technische Eingriffe am Produkt durch nicht autorisierte Dritte;
- Transportschäden an den Produkten, wenn der Transport vom Käufer durchgeführt wurde;
- Schäden und/oder Defekte, die auf die Verwendung von Nicht-Originalteilen zurückzuführen sind.

für den Fall, dass ein gekauftes Produkt während der Gültigkeitsdauer der gesetzlichen Garantie eine Vertragswidrigkeit aufweist, muss der Käufer den Verkäufer kontaktieren; Letzterer wird unverzüglich auf die Mitteilung über die angebliche Vertragswidrigkeit antworten und dabei die genaue Vorgehensweise angeben, auch unter Berücksichtigung der Kategorie, zu der das Produkt gehört und/oder des gemeldeten Mangels.



## Konformitätserklärung

M.T. Distribution S.r.l.

Indirizzo: Via Bargellino 10, 40012 Calderara di Reno (BO), Italia

Diese Konformitätserklärung wird in alleiniger Verantwortung des Herstellers ausgestellt

Produktmarke	Ducati
Modell	MG-20
Beschreibung des Produkts	E-Bike
Bewertung	Produkt: Gleichstrom 36V, 250W

Entspricht den Anforderungen der Ratsrichtlinien zur Angleichung der Rechtsvorschriften der Mitgliedstaaten betreffend

EU-Ratsrichtlinie 2014/30/EU Elektromagnetische Verträglichkeit

EU MD 2006/42/EC

Prüfnormen

EN 15194: 2017

EN 55014-1: 2017

EN 61000-3-2: 2014

EN 61000-3-3: 2013

EN 55014-2: 2015

Fabrikname: ONEBOT CYCLES Sp.zo.o

Adresse der Fabrik: **Prologis Park Wrocław 1, Gebäude DC 1 A, Magazynowa 1 Straße, 55-040 Bielany Wrocławskie, Polen**

Datum: 01.07.2020

Technische Unterlagen sind bei der EU-Zentrale erhältlich

Erklärung Ort: Bologna, Italien

Vor-und Nachname: Alessandro Summa-Position: CEO

MT DISTRIBUTION S.R.L

Via Bargellino 10, 40012 Calderara di Reno (BO), Italien

Berechtigte Person: Alessandro Summa-Position: CEO

### ANMERKUNG:

Diese Konformitätserklärung gilt nur für Elektrofahrräder, die in Ländern verkauft werden, die die Richtlinien zur CE-Kennzeichnung

Alessandro Summa

**M.T. DISTRIBUTION SRL**

Via Bargellino, 10 b/c

40012 CALDERARA DI RENO (BO)

FORM FEE: 01119840377

NONA: 08/01/2017 09:48:28 E

TIMBRO AZIENDALE

**MG-20**

Rower elektryczny składany

## Instrukcja obsługi i konserwacji

Przed użyciem roweru należy wykonać prawidłowy montaż i sprawdzić wszystkie części. Gwarancja nie pokrywa uszkodzeń spowodowanych nieprawidłowym montażem lub konserwacją.

Aby uzyskać większą ilość informacji lub pomoc techniczną, skontaktować się ze swoim sprzedawcą lub odwiedzić stronę [www.ducatiurbanemobility.it](http://www.ducatiurbanemobility.it)

1. Wstęp
2. Ostrzeżenia bezpieczeństwa
3. Wykaz opakowań
4. Opis roweru (epac)
5. Podnoszenie i przemieszczanie
6. Uruchomienie
7. Szybkie uruchomienie
8. Wyświetlacz LCD
9. Instrukcje konfiguracji wyświetlacza
10. Instrukcje konserwacji
11. Schemat połączeń
12. Rozwiązywanie problemów
13. Akumulator (Ostrzeżenia)
14. Specyfikacje techniczne
15. Warunki gwarancji



# 1. Wstęp

## Opis

Niniejsza instrukcja jest integralną i zasadniczą częścią roweru ze wspomaganie elektrycznym (EPAC) i musi być dostarczona użytkownikowi wraz z produktem.

Przed pierwszym użyciem roweru użytkownicy są zobowiązani do przeczytania i zrozumienia treści instrukcji i następnie do przestrzegania zawartych w niej wskazań.

Producent uchyla się od odpowiedzialności za szkody dla osób i mienia lub na rowerze ze wspomaganie elektrycznym w przypadku nieprawidłowego użytkowania, w sposób niezgodny z instrukcją.

W związku z ciągłym rozwojem technologicznym producent zastrzega sobie prawo do wprowadzenia modyfikacji do roweru ze wspomaganie elektrycznym (EPAC) bez powiadomienia i bez obowiązku zaktualizowania wcześniej dostarczonych instrukcji.

Aktualne instrukcje lub integracje do niniejszej instrukcji można odnaleźć na stronie . [www.ducatiurbanemobility.com](http://www.ducatiurbanemobility.com) .

## Wsparcie techniczne

Aby uzyskać pomoc techniczną lub większą ilość informacji prosimy o kontakt z Serwisem Technicznym autoryzowanego przedstawiciela Ducati Urban e-Mobility, który współpracuje z wyspecjalizowanym i wykwalifikowanym personelem, dysponuje specjalnym sprzętem i oryginalnymi częściami zamiennymi.

## Symbole bezpieczeństwa

Informacje bezpieczeństwa zawarte w niniejszej instrukcji zostały oznaczone symbolami graficznymi. Mają one na celu przywołanie uwagi odbiorcy/użytkownika na informacje dotyczące prawidłowego i bezpiecznego używania roweru ze wspomaganie elektrycznym.



## Zachować ostrożność

Wskazuje zasady zachowania, których należy przestrzegać, aby uniknąć uszkodzenia roweru ze wspomaganie elektrycznym i/lub sytuacji zagrożenia



## Ryzyko resztkowe

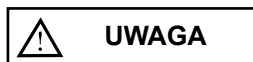
Informuje użytkownika o ryzyku resztkowym i o konieczności zachowania ostrożności, aby uniknąć wypadków lub szkód na mieniu.

## Uwaga prawna dotycząca używania

Należy zawsze przestrzegać przepisów kodeksu drogowego i norm mających zastosowanie dla ruchu rowerowego w kraju, w którym rower jest używany.

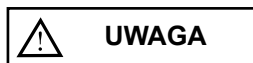
## 2. Ostrzeżenia bezpieczeństwa

### Ogólne zasady bezpieczeństwa



#### Używanie roweru ze wspomaganie elektrycznym

Przed rozpoczęciem używania użytkownik jest zobowiązany do przeczytania instrukcji obsługi i konserwacji, w szczególności rozdziału zawierającego wskazania bezpieczeństwa



#### Ryzyko związane z używaniem roweru ze wspomaganie elektrycznym

Pomimo zastosowania urządzeń bezpieczeństwa, aby zapewnić bezpieczne użytkowanie roweru ze wspomaganie elektrycznym, należy się zapoznać ze wskazaniami dotyczącymi ochrony bezpieczeństwa i zapobiegania wypadkom.

W czasie jazdy rowerem zachować skupienie i nie lekceważyć ryzyka resztkowego związanego z jego używaniem.

Pomimo dobrego zaznajomienia się z działaniem roweru, należy dalej przestrzegać wszystkich wskazanych instrukcji oraz ogólnych środków ostrożności dotyczących prowadzenia roweru ze wspomaganie elektrycznym

#### Odpowiedzialność

Użytkownik musi używać roweru ze wspomaganie elektrycznym z zachowaniem maksymalnej ostrożności i w sposób w pełni zgodny z zasadami kodeksu ruchu drogowego i z wszystkimi przepisami dotyczącymi ruchu rowerowego obowiązującymi w kraju, w którym jest on używany.

Ponadto użytkownik musi utrzymywać rower ze wspomaganie elektrycznym w stanie idealnej czystości i wydajności i wykonywać jego regularną konserwację, jak opisano w części poświęconej ostrzeżeniom i zaleceniom, oraz przechować dokumentację dotyczącą konserwacji roweru ze wspomaganie elektrycznym.

Użytkownik musi poprawnie ocenić panujące warunki atmosferyczne, które mogą wywołać zagrożenie w czasie używania roweru ze wspomaganie elektrycznym. W przypadku jazdy w niesprzyjających warunkach pogodowych i / lub przy dużym natężeniu ruchu drogowego, zalecamy ograniczenie prędkości i zachowanie właściwego odstępu na wypadek nagłego hamowania.

## Ostrzeżenia dla użytkowników

- Zabrania się jazdy z pasażerem.
- Zakaz spożywania alkoholu lub narkotyków przed jazdą rowerem ze wspomaganie elektrycznym.
- Przedmiotowy model roweru ze wspomaganie elektrycznym został zaprojektowany i skonstruowany do używania w na zewnątrz, na drogach publicznych lub na ścieżkach rowerowych.
- Nie wymuszać wyższego poziomu wydajności roweru ze wspomaganie elektrycznym przekraczając parametry dla których został zaprojektowany.
- Nigdy nie jeździć rowerem ze wspomaganie elektrycznym, z którego usunięto części.
- Unikać jazdy po nierównych powierzchniach i przeszkodach.
- W czasie jazdy trzymać obie dłonie na kierownicy.
- Wymieniać uszkodzone i/lub zużyte części, przed użyciem upewnić się, że zabezpieczenia funkcjonują prawidłowo.

## Uwagi dotyczące konserwacji

Czynności konserwacji muszą być wykonywane po wcześniejszym odłączeniu akumulatora.

W czasie konserwacji operatorzy muszą zastosować odpowiednie środki ochrony indywidualnej.

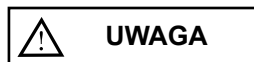
Narzędzia używane do konserwacji muszą być odpowiednie i dobrej jakości.

Nie używać benzyny lub palnych rozpuszczalników i detergentów, używać rozpuszczalników niepalnych i nietoksycznych.

Używanie sprężonego powietrza ograniczyć do minimum (maks. 2 bary) i chronić twarz za pomocą gogli z osłonami bocznymi.

W czasie wykonywania kontroli lub konserwacji nie należy nigdy nie używać wolnego płomienia jako źródła oświetlenia.

Po wykonaniu konserwacji lub regulacji, upewnić się, że pomiędzy ruchomymi częściami roweru ze wspomaganie elektrycznym nie pozostały żadne narzędzia lub ciała obce.



## Oryginalne części zamienne

Używać wyłącznie oryginalnych części zamiennych Ducati Urban e-Mobility.

Producent uchyła się od jakiegokolwiek odpowiedzialności za szkody lub utratę funkcjonalności spowodowane nieużywaniem oryginalnych części lub akcesoriów.

## Inne zalecenia

Przed użyciem roweru należy sprawdzić, czy wszystkie osłony są właściwie zainstalowane i w stanie nienaruszonym i czy urządzenia bezpieczeństwa działają poprawnie.

W przypadku wykrycia wad, nie używać roweru ze wspomaganiem elektrycznym!



## Oslony

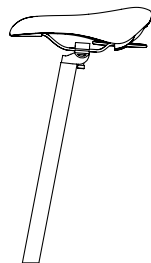
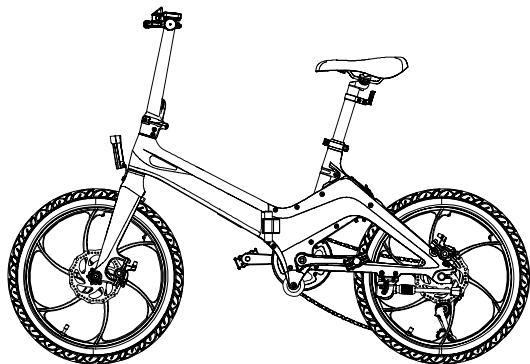
Surowo zabrania się modyfikowania lub usuwania akumulatora, osłon łańcucha, tabliczek ostrzegawczych i identyfikacyjnych, itp.

## Przechowywanie

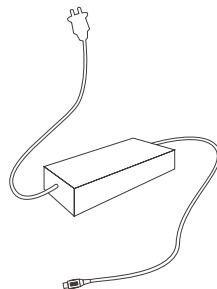
W przypadku konieczności przechowania roweru ze wspomaganiem elektrycznym przez długi okres czasu, należy wykonać następujące działania:

- Ustawić w miejscu suchym, w pomieszczeniu z właściwą wentylacją.
- Wykonać ogólne czyszczenie roweru ze wspomaganiem elektrycznym.
- Usunąć akumulator.
- Oprzeć rower na stopce.
- Zabezpieczyć nieosłonięte styki elektryczne za pomocą produktów zapobiegających utlenianiu.
- Nasmarować wszystkie niechronione powierzchnie za pomocą środków antykorozyjnych.

### 3. Wykaz opakowań



- Rama rowerowa
- Siodło + szyćca podsiodłowa
- Ładowarka
- Tylne światło odbłaskowe
- Klucz imbusowy (4mm)
- Przedni błotnik
- Tylny błotnik
- 2 blokady do akumulatora



## 4. Opis roweru (epac)



1. Siodelko
2. Uchwyt do składania ramy
3. Uchwyt do składania wspornika kierownicy
4. Blokada bezpieczeństwa
5. Kierownica
6. Dźwignia hamulca
7. Światło przednie
8. Widelec przedni
9. Hamulec tarczowy
10. Błotnik przedni (do zamontowania, dostarczony w wyposażeniu)
11. Koło łańcuchowe
12. Osłona koła łańcuchowego
13. Koło podporowe
14. Pedał
15. Stopka
16. Tylne przerzutka
17. Silnik
18. Błotnik tylny (do zamontowania, dostarczony w wyposażeniu)
19. Zacisk sztycy podsiodłowej
20. Sztyca podsiodłowa
21. Tylny światło odbłaskowej (do zamontowania, dostarczony w wyposażeniu)
22. Numer seryjny

## Warunki użytkowania

Rower ze wspomaganie elektrycznym został zaprojektowany i skonstruowany do jazdy na zewnątrz, po drogach publicznych i ścieżkach rowerowych, wyłącznie po nawierzchniach asfaltowanych.

Wprowadzenie jakichkolwiek zmian konstrukcyjnych wpływa negatywnie na bezpieczeństwo i na stabilność roweru ze wspomaganie elektrycznym i może spowodować wypadek.

Producent uchyli się od jakiegokolwiek odpowiedzialności za jakiegokolwiek uszkodzenia wynikające z używania roweru w sposób inny niż wskazany lub z używania wykraczającego poza przewidziane parametry.

Autonomia akumulatora oraz szacowany przebieg w km może się znacznie różnić w zależności od rodzaju użytkowania i wpływów zewnętrznych; patrz następujące czynniki mające szczególny wpływ: waga użytkownika, częstotliwość pedalowania, poziom wspomaganie wybrany na wyświetlaczu, średnia prędkość, grubość i zużycie bieżnika, nachylenie i nawierzchnia drogi, warunki pogodowe.

## Środowisko użytkowania

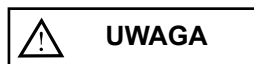
Rower ze wspomaganie elektrycznym może być użytkowany na zewnątrz, przy braku niesprzyjających warunków pogodowych (deszcz, grad, śnieg, silny wiatr itp.).

Maksymalna dopuszczalna temperatura:

+ 40°C Minimalna dopuszczalna temperatura:

+ 0°C Maksymalna dopuszczalna wilgotność: 80%

Środowisko użytkowania musi mieć płaską, zwartą nawierzchnię asfaltową, wolną od szorstkości, dziur i zagłębień, wolną od przeszkód i plam olejowych. Ponadto miejsce użytkowania musi być oświetlone światłem słonecznym lub sztucznym, aby zagwarantować prawidłową widoczność trasy i elementów sterujących roweru ze wspomaganie elektrycznym (zalecany od 300 do 500 luksów).



## Zabronione środowiska użytkowania

Nie wolno używać roweru w następujących środowiskach:

w obszarach zagrożonych pożarem lub wybuchem; w środowiskach z atmosferą korozyjną i/lub chemicznie aktywną; w słabo oświetlonym otoczeniu; na lądzie o nachyleniu większym niż 10%; na nierównej, nieutwardzonej ziemi.

## **Niewłaściwe użytkowanie i przeciwwskazania**

Działania poniżej opisane, które oczywiście nie mogą obejmować całego zakresu potencjalnych możliwości „niewłaściwego użytkowania” roweru ze wspomaganie elektrycznym są absolutnie zabronione.



### **Czynności zabronione**

Wykonywanie zabronionych czynności powoduje unieważnienie gwarancji.

Producent nie ponosi żadnej odpowiedzialności za szkody materialne lub powstałe na zdrowiu użytkowników wynikające z wykonania zabronionych czynności.



### **Surowo zabrania się:**

Używania roweru do celów innych niż te, dla których został zbudowany, np. przewożenie pasażerów.

Jazdy na rowerze ze wspomaganie elektrycznym w obszarach zagrożonych wybuchem.

Jazdy na rowerze ze wspomaganie elektrycznym w niesprzyjających warunkach pogodowych (deszcz, grad, śnieg, silny wiatr itp.).

Przewożenia pasażerów.

Jazdy na rowerze ze wspomaganie elektrycznym pod wpływem alkoholu lub narkotyków.

Jazdy na rowerze ze wspomaganie elektrycznym, jeśli waga kierowcy przekracza dopuszczalną masę. Ładowania akumulatora w środowisku, które jest zbyt gorące lub niedostatecznie wentylowane.

Zakrywania akumulatora podczas ładowania.

Palenia tytoniu lub używania otwartego ognia w pobliżu miejsca ładowania.

Jazdy lub postoju na powierzchniach o nachyleniu większym niż 10% lub nierównym (nieutwardzonym, z dziurami, wgłębieniami, przeszkodami itp.).

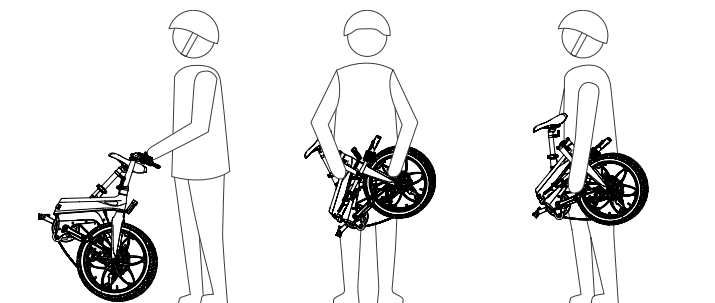
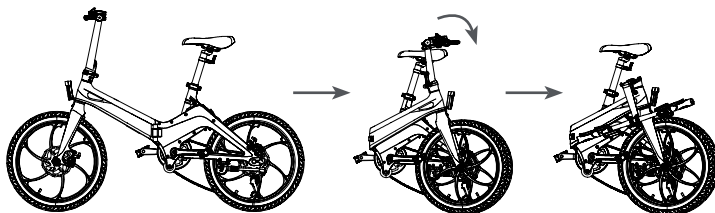
Wykonywania jakiegokolwiek konserwacji przy podłączonym akumulatorze. Używania nieoryginalnych części zamiennych.

Wkładania kończyn lub palców między ruchome części roweru.

Absolutnie zabrania się podnoszenia sztycy poza granicę 10 cm, aby uniknąć ryzyka złamania ramy.



## 5. Podnoszenie i transport



### Przygniecenie i uderzenie

Podczas podnoszenia należy zachować szczególną ostrożność, aby uniknąć szkód dla ludzi i mienia.

Producent nie ponosi odpowiedzialności za pęknięcia spowodowane podniesieniem i/lub transportem roweru ze wspomaganie elektrycznym po jego dostarczeniu.

Ciężar roweru ze wspomaganie elektrycznym wynosi około 21 kg, dlatego zaleca się podnoszenie przez dwie osoby dorosłe.

### Transport

Aby zapewnić bezpieczeństwo podczas transportu w samochodach dostawczych, należy zapobiec przemieszczaniu się roweru ze wspomaganie elektrycznym. Osiąga się to poprzez oparcie roweru na stojaku i związanie go opaskami lub linami kotwiącymi w dobrym stanie.

Środki sprzęgające muszą być zainstalowane tak, aby nie uszkodzić ramy i innych części roweru.

## 6. Uruchomienie

### Ładowanie akumulatora

Przed pierwszym użyciem roweru należy ładować akumulator przez co najmniej 4-6 godzin, aż do chwili zakończenia ładowania, za pomocą dołączonej ładowarki.

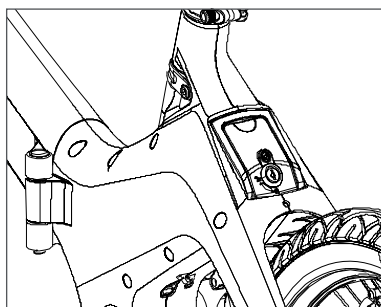
Rower zasilany jest akumulatorem litowo-jonowym 36V.

Średni czas ładowania wynosi około 4-6 godzin. Baterie są litowe.

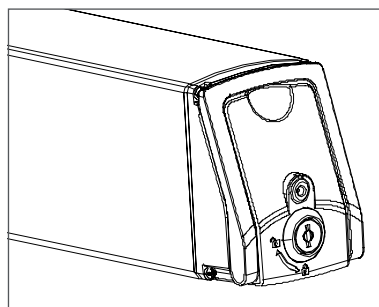
Aby maksymalnie wydłużyć żywotność akumulatora, zalecane jest pełne ładowanie co trzydzieści dni, nawet jeśli rower nie jest używany.

Zalecamy ładowanie akumulatora za pomocą specjalnej ładowarki po każdym użyciu roweru ze wspomaganie elektrycznym.

**Podczas ładowania czerwone światło jest włączone na ładowarce, po zakończeniu ładowania czerwone światło gaśnie i włącza się światło zielone.**

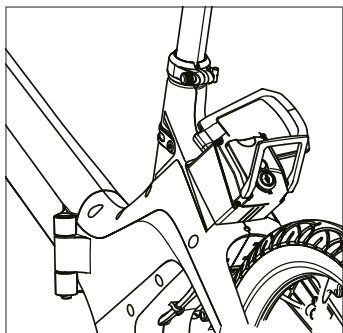


Pierwsza opcja ładowania: otworzyć gumową pokrywę portu i naładować.

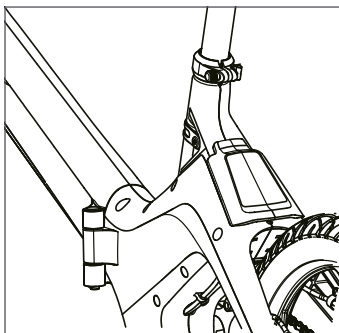


Druga opcja ładowania: wyjąć akumulator i naładować bez konieczności przemieszczenia roweru.

## stalowanie i wyjmowanie akumulatora



1. Wyłączyć zasilanie, odblokować akumulator i następnie wyjąć za pomocą uchwytu, jak pokazano na rysunku.



2. W celu zainstalowania akumulatora, zablokować akumulator za pomocą klucza i zachować klucz przy sobie, nacisnąć na uchwyt i ułożyć w pozycji płaskiej, rozłożyć ramę roweru.



### ZAGROŻENIE

#### Środki ostrożności podczas ładowania

Należy zawsze podłączyć najpierw wtyczkę do akumulatora, a następnie wtyczkę do sieci.

Po zakończeniu ładowania należy zawsze najpierw odłączyć wtyczkę od sieci, a następnie wtyczkę od akumulatora.

Należy zawsze całkowicie naładować akumulator. Należy zawsze używać oryginalnych zasilaczy.

Nie pozostawiać podłączonego akumulatora na dłużej niż 16 godzin. Ładować w pomieszczeniu o odpowiedniej wentylacji.

Nie ładować akumulatora w środowisku o wysokiej temperaturze. Nie ładować akumulatora w pobliżu łatwopalnych cieczy.

Nie zakrywać akumulatora w żaden sposób podczas ładowania.

Jeśli akumulator wydziela nieprzyjemny zapach, należy natychmiast odłączyć go od zasilania i przewietrzyć pomieszczenie, nie należy dotykać akumulatora.

Przechowywać akumulator w chłodnym, suchym miejscu.

## Przygotowanie do jazdy

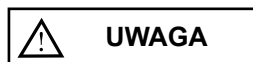
Przed użyciem roweru ze wspomaganie elektrycznym i w celu skutecznego przygotowania produktu do jazdy, zaleca się uważne sprawdzenie wszystkich jego części i właściwe wyregulowanie odpowiednich podzespołów mechanicznych, samodzielnie lub przy wsparciu wyspecjalizowanych operatorów, np. regulacja i dokręcenie kierownicy i wspornika kierownicy, regulacja i dokręcenie siodełka i sztycy podsiodłowej, regulacja hamulców, regulacja przekładni, kontrola ciśnienia w oponach, smarowanie łańcucha i przerzutek, kontrola właściwego dokręcenia śrub mocujących i ogólna kontrola wszystkich części. Zaleca się, aby przygotowanie produktu do jazdy zostało wykonane przez personel wyspecjalizowany.

### Koła

Sprawdzić ciśnienie w oponach, w odniesieniu do wartości wskazanej na oponie. Sprawdzić stan zużycia opony: nie może być żadnych nacięć, pęknięć, ciał obcych, nieprawidłowych zgrubień, odsłoniętych płócien i innych uszkodzeń.

### Układ hamulcowy

Sprawdzić działanie hamulców za pomocą testu hamowania przy niskiej prędkości (maks. 6 km/h) w obszarze wolnym od przeszkód, najpierw za pomocą hamulca tylnego, a następnie hamulca przedniego.



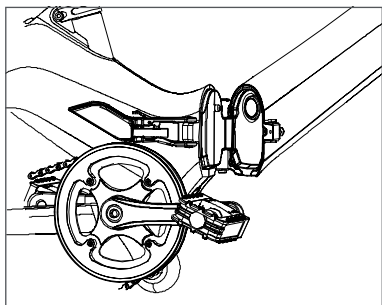
### Negatywny wynik kontroli

W przypadku wykrycia jakichkolwiek wad i jeśli jedna z wyżej wskazanych kontroli przyniesie wynik negatywny, **nie używać roweru ze wspomaganie elektrycznym.**

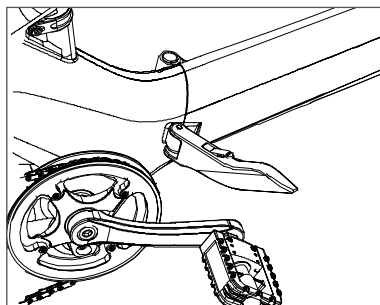
Należy natychmiast wykonać wszystkie niezbędne regulacje i, w razie potrzeby, skontaktować się z Serwisem Pomocy Technicznej.

## 7.Szybkie uruchomienie

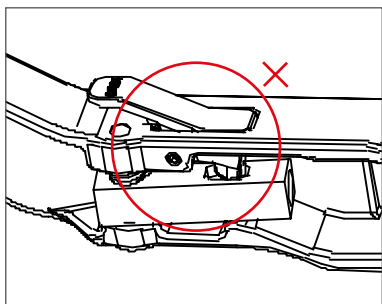
### Rozkładanie roweru



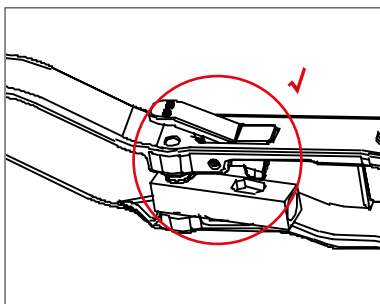
1. Przytrzymać korpus pojazdu i rozłożyć ramę.



2. Jak przedstawiono na rysunku, mocno zablokować zacisk, wykonać krok 3) i 4) przed zablokowaniem zacisku.

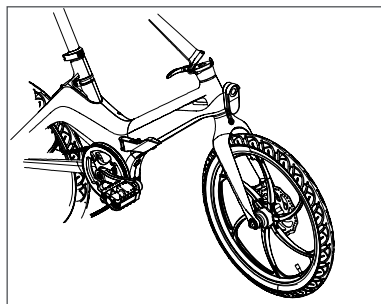


3. Jeżeli zacisk wygląda tak jak na rysunku, nacisnąć, aby zwolnić część wypukłą.

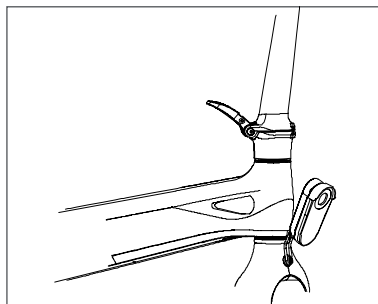


4. Jeżeli zacisk wygląda tak jak na rysunku, wykonać krok 2) aby zablokować ramę.

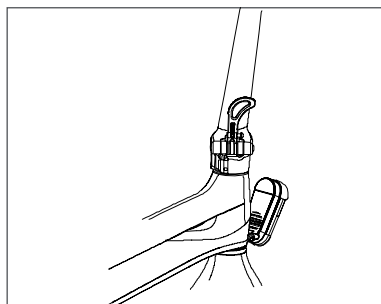
## Rozkładanie wspornika



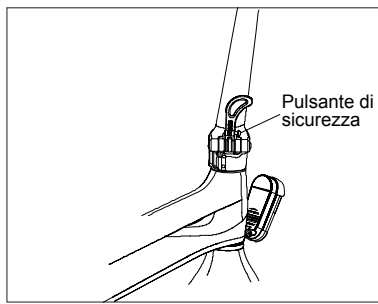
1. Przytrzymać korpus roweru i ustawić pionowo wspornik kierownicy, aby się upewnić, że jest on idealnie połączony z częścią dolną.



2. Zamocować składany klucz bezpośrednio w kierunku wspornika.



3. Lekko wstrząsnąć wspornikiem i sprawdzić, czy klamra bezpieczeństwa jest zamknięta prawidłowo.



4. Podczas składania wspornika nacisnąć na klamrę bezpieczeństwa i otworzyć składany klucz.

## Montaż kierownicy



1. Za pomocą klucza imbusowego M4 poluzować śrubę na wsporniku i wyjąć zacisk.

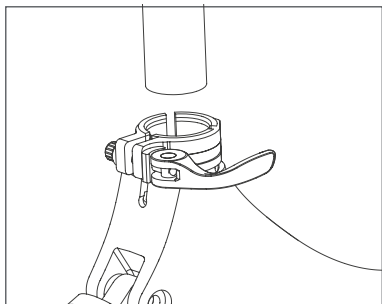


2. Ostrożnie umiejscowić zacisk w środkowej części kierownicy, następnie dokręcić śruby za pomocą klucza imbusowego M4

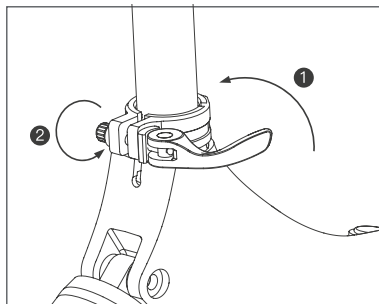


3. Przed jazdą sprawdzić, czy kierownica jest zamocowana odpowiednio i znajduje się we właściwym położeniu.

## Montaż sztycy podsiodłowej

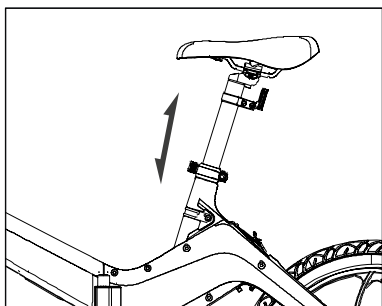


1. Poluzować zacisk sztycy podsiodłowej, stabilnie przytrzymać rower i wprowadzić sztycę na ramę.

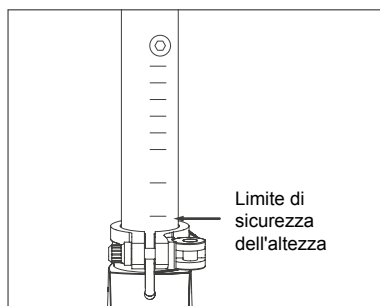


2. Wyregulować śrubę i docisnąć zacisk, następnie silnie nacisnąć na siodełko, aby się upewnić, że jest ono mocno zablokowane i się nie obraca, nie podnosi i nie obniża.

## Regulacja wysokości siodełka



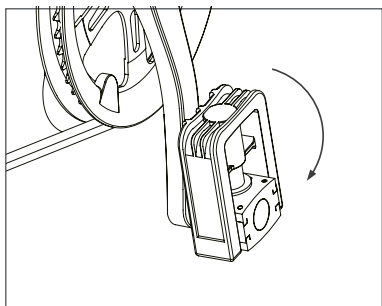
1. W celu wyregulowania wysokości siodełka poluzować zacisk sztycy podsiodłowej, następnie ustawić sztycę na wymaganej wysokości i docisnąć zacisk.



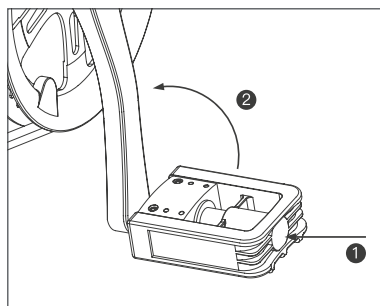
2. Wysokość siodełka nie może przekroczyć minimalnego limitu bezpieczeństwa wkładki.



## Składanie i rozkładanie pedałów

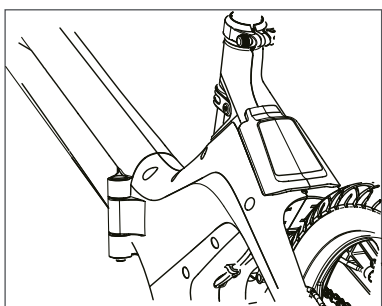


1. Przytrzymać korpus pojazdu i rozłożyć pedały.



2. Nacisnąć na pedał w kierunku korby i złożyć.

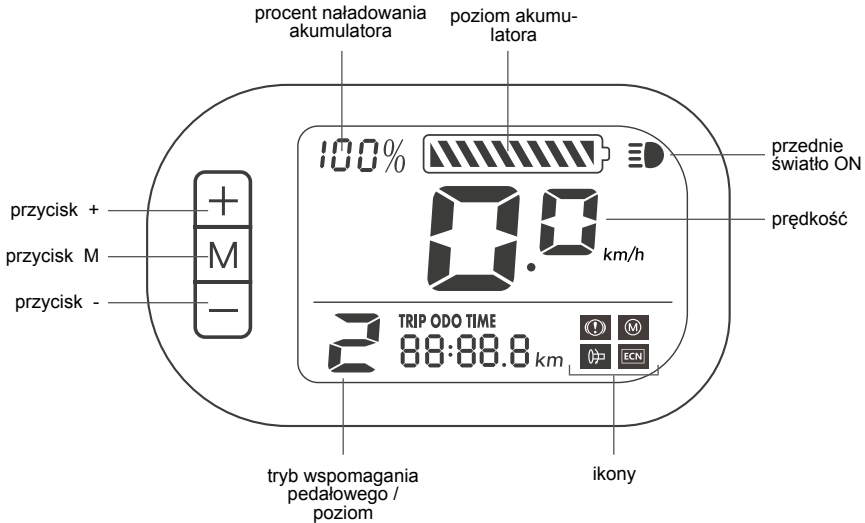
## Włączanie zasilania



1. Przed pierwszą jazdą naładować akumulator.

Uwaga: Po naładowaniu zamknąć przykrywkę, aby uniknąć przeniknięcia wody do portu ładującego.

## 8. Wyświetlacz LCD



### Funkcje przycisków:

**Przycisk M** : przycisk wielofunkcyjny, aby włączyć/wyłączyć rower nacisnąć i przytrzymać wciśnięty przez 3 sekundy; nacisnąć krótko, aby sprawdzić przebieg pojedynczej jazdy, przebieg całkowity i czas działania.

**Przycisk +** : nacisnąć i przytrzymać wciśnięty przez 3 sekundy, aby włączyć/wyłączyć światło przednie.

**Przycisk +** : nacisnąć krótko, aby zwiększyć prędkość.

**Przycisk -** : nacisnąć krótko, aby zmniejszyć prędkość.



Wskaźnik akumulatora roweru ze wspomaganie elektrycznym jest pełny, kiedy akumulator jest całkowicie naładowany. Poziom naładowania akumulatora spada w czasie używania roweru ze wspomaganie elektrycznym. Poziom naładowania na wskaźniku może się wahać w zależności od rodzaju użytkownika roweru ze wspomaganie elektrycznym, na przykład, w czasie jazdy po terenie pochyłym poziom na wskaźniku może szybko spaść ze względu na zwiększone zużycie.

**Aby zapewnić optymalne wykorzystanie i właściwą konserwację akumulatora, zaleca się aby przed każdym użyciem całkowicie go naładować.**

## Znaczenie ikon:



Wskazuje, że światło przednie jest



włączone Wskazuje, że hamulec działa



Wskazuje, że przepustnica nie działa lub nie działa poprawnie Wskazuje,



że silnik nie działa lub nie działa poprawnie Wskazuje,



że sterownik nie działa lub nie działa poprawnie

## TRIP ODO TIME

88:88.8

Umożliwia przełączanie pomiędzy przebiegiem pojedynczej jazdy, przebiegiem całkowitym i czasem działania

## 9. Instrukcje konfiguracji wyświetlacza

1. Nacisnąć jednocześnie na + i na - w P0 na interfejsie ustawień i przytrzymać przez 3s.
2. Przywracanie ustawień fabrycznych: Nacisnąć na + w P0 i przytrzymać przez 30s, aby wyjść z trybu ustawień.



### 3. Przełącznik Km/Mile:

A. Nacisnąć na przycisk M i przełączyć z P0 na P1

B. W P1 nacisnąć na +/-, aby przełączyć Km/Mile. 0=Km, 1=Mile

C. Nacisnąć jednocześnie na +&-, aby wyjść z trybu ustawień. Lub automatycznie wyjść z trybu ustawień po 15s



4. Niewielka regulacja prędkości:

A. Nacisnąć na przycisk M i przełączyć z P0 na P2

P2 może regulować prędkość wskazaną na wyświetlaczu w niewielkim zakresie, nie może zmienić prędkości rzeczywistej.

B. Nacisnąć na +/-, aby zmienić dane. Prawidłowym ustawieniem jest 15,6 dla kół 16 calowych, 18,5 dla kół 20 calowych. Im większe dane tym wyższa prędkość na wyświetlaczu (nie zmienia prędkości rzeczywistej).



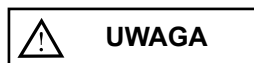
## 10. Instrukcje konserwacji

**Wszystkie czynności konserwacji należy wykonywać przy wyłączonym systemie, odłączonym akumulatorze oraz rowerze opartym na stojaku.**

Po każdej rutynowej czynności konserwacji obowiązkowe jest sprawdzenie prawidłowego działania wszystkich elementów sterujących.

Niniejsza instrukcja nie zawiera informacji na temat demontażu i konserwacji nadzwyczajnej, ponieważ operacje te może wykonać wyłącznie personel serwisowy autoryzowanego dystrybutora Ducati Urban e-Mobility.

Serwis pomocy technicznej jest w stanie dostarczyć wszystkie informacje i odpowiedzieć na wszystkie prośby, aby zadbać i utrzymać doskonałą wydajność roweru ze wspomaganie elektrycznym.



### Negatywny wynik kontroli

- Jeśli jedna z wyżej wskazanych kontroli przyniesie wynik negatywny **nie używać roweru ze wspomaganie elektrycznym**.
- Należy natychmiast wykonać wszystkie niezbędne naprawy i, w razie potrzeby, skontaktować się z Serwisem Pomocy Technicznej dystrybutora.

### Mycie

Mycie roweru ze wspomaganie elektrycznym nie jest jedynie kwestią estetyki, ale pozwala także natychmiast wykryć ewentualną wadę roweru.

Aby nie uszkodzić ani nie zagrozić funkcjonowaniu różnych elementów, zwłaszcza części elektrycznych, czyszczenie należy przeprowadzić z zachowaniem środków ostrożności. Surowo zabrania się kierowania strumieni wody pod ciśnieniem w stronę części elektrycznych, silnika, wyświetlacza i akumulatora, dla których zalecane jest mycie gąbką.

Przed uruchomieniem roweru ze wspomaganie elektrycznym, należy go całkowicie wysuszyć szmatką lub papierem, uważając, aby nie porysować malowanych elementów. Unikać używania sprężonego powietrza, szczególnie z bliskiej odległości i pod wysokim ciśnieniem. Sprawdzić, czy na elementach elektrycznych nie pozostały resztki wilgoci.

### Smarowanie łańcucha

Ważne jest regularne smarowanie łańcucha, aby uniknąć nadmiernego zużycia i przedłużyć jego żywotność.

1. Ogniwa łańcucha na całej jego długości oczyszczają szmatką.
2. Rozpylić na wszystkie ogniwa specjalny smar w sprayu odpowiedni do łańcuchów napędowych.

## **Sprawdzanie części**

Rama nośna oraz spoiny roweru ze wspomaganie elektrycznym muszą być wolne od widocznych wad, takich jak: pęknięcia, odkształcenia, nacięcia, korozje itp.

Upewnić się, że wszystkie śruby i pedały w rowerze ze wspomaganie elektrycznym są dobrze dokręcone.

Sprawdzić stan i zamocowanie akumulatora; osłony kabli elektrycznych muszą być w dobrym stanie, zaciski muszą być szczelne i nie mogą być obecne ślady korozji.

Na wskaźniku na wyświetlaczu kierownicy sprawdzić stan naładowania akumulatora.

W celu prawidłowego użytkowania akumulatora pojazdu EPAC zaleca się naładowanie akumulatora po każdym użyciu roweru.

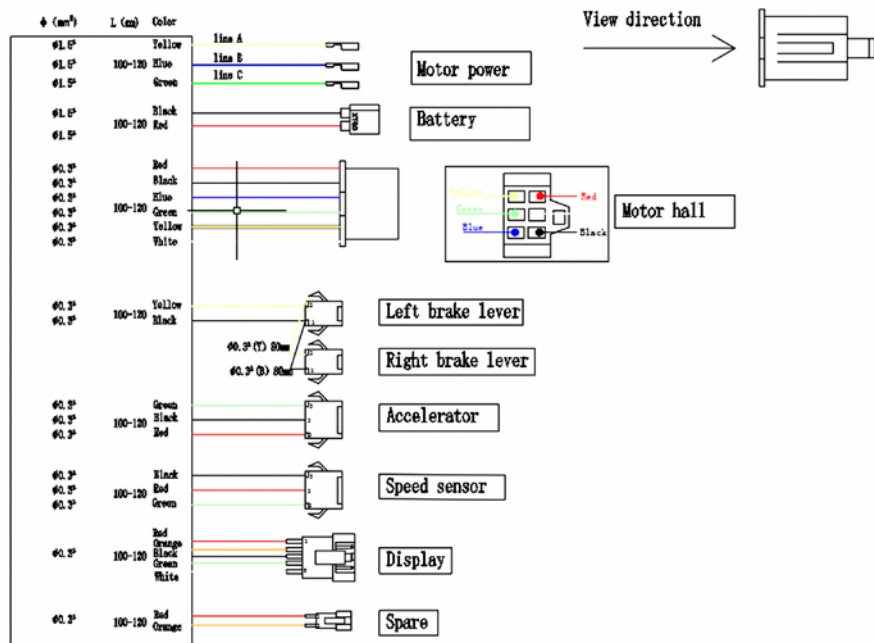
Używając specjalnego zaworu do napełniania znajdującego się na obręczy, sprawdzić ciśnienie w oponach za pomocą kompresora i ciśnieniomierza lub pompy warsztatowej.

Sprawdzić stan bieżnika, felgi i mocowania felg do piast. W przypadku konieczności wymienienia opon, skontaktować się z serwisem pomocy technicznej lub z wyspecjalizowanym dystrybutorem opon.

Hamulce muszą być ustawione tak, aby zapewnić skuteczne hamowanie, jednocześnie dźwignie sterujące muszą mieć skok odpowiedni dla modulowanego hamowania: innymi słowy, hamulce nie mogą być ani zbyt luźne ani zbyt zaciśnięte.





# 11. Schemat połączeń

## 250W Controller





## 12. Rozwiązywanie problemów

Wskaźnik na wyświetlaczu	Przyczyny	Rozwiązania
Hamulec 	Wskazuje, że hamulec jest załączony	/
	Dźwignia hamulca nie powraca do normalnej pozycji	Kilkakrotnie nacisnąć na dźwignię hamulca, aby powróciła do pozycji. Wymienić na nową dźwignię hamulca
	Brak przepustnicy	/
Usterka przepustnicy 	Kabel przepustnicy, przepustnica lub złącze pęknięte/uszkodzone	Wymienić na nowy kabel, nową przepustnicę
	Złącza pomiędzy przepustnicą a sterownikiem nie są podłączone poprawnie	Poprawić podłączenia
Usterka silnika 	Silnik nie działa	Wymienić na nowy silnik
	Kable lub złącze są pęknięte/uszkodzone	Wymienić na nowy kabel
	Kabel czujnika halla silnika nie jest podłączony poprawnie	Poprawić podłączenia
Usterka sterownika 	Uszkodzenie sterownika	Wymienić na nowy sterownik

## 13. Akumulator (Ostrzeżenia)

### Wskaźnik akumulatora

Wskaźnik akumulatora roweru ze wspomaganiem elektrycznym jest pełny, kiedy akumulator jest całkowicie naładowany. Poziom naładowania akumulatora spada w czasie używania roweru ze wspomaganiem elektrycznym. Poziom naładowania na wskaźniku może się wahać w zależności od rodzaju użytkownika roweru ze wspomaganiem elektrycznym, na przykład, w czasie jazdy po terenie pochyłym poziom na wskaźniku może szybko spaść ze względu na zwiększone zużycie.

Aby zapewnić optymalne wykorzystanie i właściwą konserwację akumulatora, zaleca się aby przed każdym użyciem całkowicie go naładować.

Upewnić się, że rower ze wspomaganiem elektrycznym, ładowarka i port ładujący są suche.

Kiedy rower ze wspomaganiem elektrycznym zostanie w pełni naładowany, światło LED na ładowarce zmieni kolor z czerwonego (ładowanie) na zielony (ładowanie zakończone).

Używać wyłącznie oryginalnych zasilaczy. Inne zasilacze mogą spowodować uszkodzenie urządzenia i wywołać ryzyko.

Rower ze wspomaganiem elektrycznym nie powinien być ładowany przez bardzo długie okresy czasu. Przeładowanie powoduje ograniczenie żywotności akumulatora i może wywołać ryzyko.

Rower ze wspomaganiem elektrycznym ładować w środowisku suchym, z dala od materiałów palnych (np. materiały eksplodujące w płomieniach), najlepiej w zakresie temperatur 15-25°C, lecz nigdy poniżej 0°C lub powyżej+ 45°C.

W czasie ładowania chronić przed bezpośrednim światłem słonecznym i ogniem.

Roweru ze wspomaganiem elektrycznym nie ładować bezpośrednio po użyciu. Przed naładowaniem roweru ze wspomaganiem elektrycznym poczekać około godziny na jego ochłodzenie.

Nigdy nie pozostawiać roweru ze wspomaganiem elektrycznym bez nadzoru w czasie ładowania. Zagrożenie termiczne! Nigdy nie podłączać metalowych przedmiotów do portu ładującego DC.

Przeczytać części poświęcone ładowaniu i przechowywaniu, aby się upewnić, że akumulator jest używany i konserwowany w sposób prawidłowy. Utrzymywać rower ze wspomaganiem elektrycznym z dala od wolnego ognia i innych źródeł ciepła, aby uniknąć przegrzania akumulatora. Nie wystawiać roweru ze wspomaganiem elektrycznym na działanie temperatur zamarzania. Nadmierne ciepło lub nadmierne zimno mogą spowodować rozładowanie akumulatora.

Unikać całkowitego rozładowania akumulatora.

Akumulator ładować, kiedy nie jest całkowicie rozładowany. Pomaga to w wydłużeniu żywotności akumulatora. Kiedy poziom naładowania jest za niski normalna jazda nie jest możliwa. Za niski poziom naładowania może spowodować utratę kontroli nad pojazdem lub upadek rowerzysty.

Upewnić się, że akumulator jest ładowany z regularną częstotliwością, także w przypadku gdy rower nie jest używany przez długi okres czasu. Pozwala to zapobiec uszkodzeniu akumulatora spowodowanemu utrzymywaniem niskiego napięcia przed długi okres czasu.

### **Środki ostrożności dotyczące akumulatora:**

Akumulator jest zbudowany z ogniw litowo-jonowych i substancji chemicznych, które stanowią zagrożenie dla zdrowia i dla środowiska. Nie używać roweru ze wspomaganie elektrycznym w przypadku nieprawidłowych zapachów, wycieku substancji lub przegrzania. Nie utylizować roweru ze wspomaganie elektrycznym lub akumulatora z odpadami komunalnymi. Użytkownik końcowy jest odpowiedzialny za utylizację sprzętu elektrycznego i elektronicznego i akumulatorów w sposób zgodny z obowiązującymi normami.

### **Czego unikać:**

Otwierania lub wyjmowania akumulatora, uderzania, rzucania lub przebijania akumulatora lub przyklejania przedmiotów do akumulatora. Dotykania substancji wyciekających z akumulatora, gdyż są one szkodliwe i niebezpieczne. Pozwalania dzieciom lub zwierzętom na bawienie się akumulatorem.

Przeładowania, nadmiernego rozładowania lub zwierania akumulatora. Zanurzania lub narażania akumulatora na kontakt z wodą lub inną cieczą. Narażania akumulatora na działanie nadmiernie wysokich lub zbyt niskich temperatur.

Używania akumulatora w środowisku zawierającym gazy wybuchowe lub płomienie.

Pozostawiania akumulatora na deszczu lub w bezpośrednim świetle słonecznym lub w samochodzie rozgrzanym przez promieniowanie słoneczne.

Ponownego montażu lub mocowania akumulatora.

Przechowywania lub przewożenia akumulatora z metalowymi przedmiotami, szpilki do włosów, naszyjniki, itp. Jazdy rowerem ze wspomaganie elektrycznym w czasie ładowania.

Używania zasilaczy innych niż oryginalne.

## 14. Specyfikacje techniczne

### Informacje ogólne

Opony	20 "X 2.125" z opaską odblaskową
Felgi	magnezowe, 6 szprych
Hamulce	tarcza mechaniczna
Przerzutka	SHIMANO 6 rzędowa
Widelec	magnezowy
Zestaw łańcuchowy	łańcuch 44T - 6 rzędowy (14-16-18-21-24-28T)
Pedały	tworzywo sztuczne, do ponownego zaplombowania
Rama	magnezowa, składana
Maks prędkość	25 km/h
Siodełko	model komfortowy
Rura podsiodłowa	aluminium
Kierownica	aluminium, składana
Chwyty	guma
Błotnik	tworzywo sztuczne
Stopka	tylna, boczna
Wspornik tylny	nie objęty
Maks obciążenie	110kg

### System elektryczny

Światła	LED przedni
Wyświetlacz	LCD z poziomami wspomagania, światła ON / OFF, drogomierz z odpowiednimi funkcjami
Silnik	36V, 250W, IP54, tył
Akumulator	SAMSUNG 36V, 10.5Ah, 378Wh zainstalowany na ramie, zdejmowany
Ładowarka	wejście: 100-240V, 50-60Hz ,2,5A / wyjście: 42V, 2,0A
Czas ładowania	4/5 godzin
Autonomia	do 50 km, ta wartość zależy od: używanego poziomu wspomagania, wagi rowerzysty, siły mięśni wykorzystywanej w czasie pedałowania, ciśnienia w oponach, nachylenia terenu, liczby zatrzymań i ponownego uruchomienia

### Wymiary i ciężary

Ciężar z akumulatorem	2.06kg
Ciężar bez akumulatora	18.47kg
Ciężar cał.	20.53kg
Wymiary e-roweru	1510 x 580 x 1070mm
Wymiary opakowania	830 x 420 x 620mm



## **UWAGA**

### **Dozwolona prędkość**

Maksymalną prędkość jaką można osiągnąć zgodnie z przepisami prawa jest 25 km/h.

Producent uchyla się od jakiejkolwiek odpowiedzialności za szkody dla ludzi i/lub mienia i gwarancja, którą objęty jest produkt, traci ważność, w przypadku wprowadzenia zmian w jednostce sterującej bez wyraźnej zgody producenta.

Jednostka sterująca została zaprogramowana tak, aby nie umożliwić wprowadzenia zmian w parametrze maksymalnej dozwolonej prędkości.



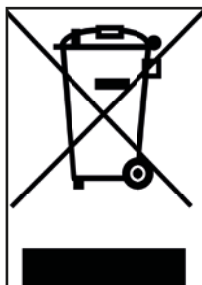
## **ZAGROŻENIE**

### **Ryzyko obrażeń ciała**

Prędkość jazdy i zachowanie w czasie jazdy dostosować do własnych umiejętności. Nigdy nie używać roweru ze wspomaganie elektrycznym na prędkości większej niż 25 km/h, w przeciwnym wypadku można spowodować poważne niebezpieczeństwo dla siebie i innych osób.



**Utylizacja zużytego sprzętu elektrycznego i elektronicznego (przepisy mają zastosowanie we wszystkich państwach członkowskich i w innych krajach europejskich, w których wprowadzono obowiązek segregowania odpadów)**



Ten symbol na produkcie lub na opakowaniu oznacza, że produkt nie może być traktowany jako zwykły odpad komunalny, lecz że powinien być przekazany do odpowiedniego punktu selektywnej zbiórki sprzętu elektrycznego i elektronicznego (WEEE).

Zapewnienie prawidłowej utylizacji tego produktu pomaga zapobiec potencjalnym negatywnym skutkom, jakie dla środowiska naturalnego i zdrowia ludzkiego mogłoby przynieść niewłaściwe postępowanie z tego typu odpadami. Recykling materiałów pomaga w ochronie zasobów naturalnych.

Więcej informacji dotyczących recyklingu przedmiotowego produktu udziela lokalny punkt świadczący usługi utylizacji odpadów lub sprzedawca.

W każdym wypadku przedmiotowy produkt musi być poddany utylizacji w sposób zgodny z normami obowiązującymi w kraju nabycia produktu.

Użytkownikowi zabrania się w szczególności utylizowania produktu WEEE z odpadami komunalnymi. Produkt należy poddać selektywnej zbiórce na jeden z następujących sposobów:

- 1) W miejskim punkcie zbiórki selektywnej, w sposób bezpośredni lub korzystając z usług operatorów miejskich, jeżeli są one dostępne.
- 2) W punktach sprzedaży przez nabycie nowego sprzętu elektrycznego i elektronicznego.

W tym wypadku przekazanie sprzętu WEEE może być nieodpłatne wyłącznie w przypadku części małogabarytowych (długość najdłuższej strony mniejsza niż 25 cm), części wielkogabarytowe mogą być przekazane nieodpłatnie w przypadku oddania starego produktu i zakupu nowego o takiej samej funkcji.

W przypadku utylizowania sprzętu elektrycznego i elektronicznego w sposób niezgodny z prawem ryzykuje się karą przewidzianą w obowiązujących przepisach dotyczących ochrony środowiska (dotyczy prawa włoskiego).

W przypadku gdy sprzęt elektryczny i elektroniczny zawiera akumulatory lub baterie, należy je usunąć i poddać oddzielnej utylizacji.



**Utylizacja rozładowanych baterii (przepisy mają zastosowanie we wszystkich państwach członkowskich i w innych krajach europejskich, w których wprowadzono obowiązek segregowania odpadów)**



Ten symbol na produkcie lub na opakowaniu oznacza, że akumulator nie może być traktowany jako zwykły odpad komunalny. W przypadku niektórych rodzajów akumulatorów, ten symbol może być użyty łącznie z symbolem substancji chemicznej.

Symbole chemiczne rtęci (Hg) lub ołowiu (Pb) stosuje się jako dodatkowe oznaczenie, jeśli bateria zawiera więcej niż 0,0005% rtęci lub 0,004% ołowiu.

Zapewnienie prawidłowej utylizacji odpadów bateryjnych pozwala zapobiec ewentualnym negatywnym dla środowiska i zdrowia ludzi skutkom. Recykling tego rodzaju odpadów pomaga zachować nasze zasoby naturalne. Tam gdzie ze względów bezpieczeństwa, wydajności lub zabezpieczenia danych, produkty wymagają stałego podłączenia do akumulatora/ogniwa wewnętrznego, mogą być one wymienione wyłącznie przez wykwalifikowany personel serwisowy.

Po zakończeniu cyklu życiowego produktu należy go oddać do odpowiedniego punktu zbiórki sprzętu elektrycznego i elektronicznego, co zapewni właściwą utylizację zainstalowanej w nim baterii.

Więcej informacji dotyczących utylizacji zużytego akumulatora lub produktu udziela lokalny punkt świadczący usługi utylizacji odpadów lub sprzedawca.

W każdym wypadku przedmiotowy produkt musi być poddany utylizacji w sposób zgodny z normami obowiązującymi w kraju nabycia produktu.

## 15. Warunki gwarancji

Wszystkie produkty są objęte „Gwarancją zgodności towaru z umową”, zgodnie z Dyrektywą 2011/83/UE.

Gwarancja prawna jest zarezerwowana dla konsumentów. Dlatego jest on stosowany wyłącznie do użytkowników, którzy dokonali zakupu w celach niezwiązanych z prowadzoną działalnością gospodarczą, handlową, rzemieślniczą lub zawodową.

W przypadku podmiotów, które dokonały zakupu produktu i których nie można uznać za konsumentów, udziela się gwarancji na wady fizyczne i jakościowe oraz innych gwarancji przewidzianych w kodeksie cywilnym, w zależności od warunków i ograniczeń mających zastosowanie.

Sprzedawca (podmiot, który sprzedał produkt użytkownikowi) odpowiada przed konsumentem za każdy brak zgodności, który istnieje w momencie dostawy towarów i który wystąpi przed upływem dwóch lat od daty dostawy. Sprzedawca musi być poinformowany o braku zgodności, pod groźbą utraty gwarancji, w ciągu dwóch miesięcy od daty jej wykrycia.

O ile nie udowodniono inaczej, przyjmuje się, że wady zgodności, które wystąpiły w ciągu sześciu miesięcy od dostarczenia produktów, istniały już w tym dniu, chyba że ta hipoteza jest niezgodna z charakterem produktu lub z charakterem braku zgodności. Począwszy od siódmego miesiąca po dostawie produktu, konsument będzie musiał wykazać, że brak zgodności istniał już w momencie dostawy.

Aby skorzystać z gwarancji prawnej nabywca musi dostarczyć dowód zakupu, na którym wskazana jest data dostawy towarów. Zaleca się w związku z tym, aby nabywca przechował wszystkie dokumenty, które potwierdzają dokonanie zakupu i datę dostawy (na przykład: paragon, faktura, potwierdzenie zamówienia wysłane drogą mailową).

Wady i nieprawidłowości spowodowane zdarzeniami losowymi i/lub stanowiące odpowiedzialności nabywcy lub wynikające z używania produktu w sposób niezgodny z zamierzonym zastosowaniem i/lub z zaleceniami zawartymi w dokumentacji technicznej dostarczonej wraz z produktem, lub spowodowane niewłaściwą regulacją części mechanicznych, naturalnym zużyciem i niszczeniem materiałów, które ulegają szybkiemu zużyciu lub spowodowane błędnym montażem, brakiem konserwacji i/lub używaniem w sposób niezgodny z instrukcją

Gwarancja prawna nie pokrywa, między innymi:

- uszkodzeń spowodowanych uderzeniem, przypadkowym upadkiem lub kolizją, przebieciem;
- uszkodzeń spowodowanych używaniem, narażeniem lub przechowywaniem w nieodpowiednich warunkach środowiska (np.: deszcze i/lub błoto, wystawienie na działanie wilgoci lub nadmiernie wysokie temperatury, kontakt z piaskiem lub innymi substancjami);
- uszkodzeń spowodowanych nieodpowiednim przygotowaniem do jazdy i/lub niewłaściwą konserwacją części mechanicznych (mechaniczna tarcza hamulcowa, kierownica, opony, itp.);



- nieprawidłowej instalacji i/lub montażu części i i/lub podzespołów, chyba że instalacja i/lub montaż części i i/lub podzespołów zostały wykonane przez sprzedawcę lub na jego odpowiedzialność i/lub zostały wykonane przez konsumenta, lecz błędna instalacja i/lub montaż wynikały z braku instrukcji obsługi;
- naturalnego zużycia i niszczenia materiałów ulegających zużyciu: mechaniczna tarcza hamulcowa (np. okładzina, tarcza, zaciski, kable), opony, platformy, uszczelki, łożyska, światła led i żarówki, stopka, gałki, błotniki, części gumowe (platforma), złącza do okablowania, kratki, naklejki, itp.;
- niewłaściwej konserwacji i/lub nieprawidłowego używania akumulatora produktu;
- manipulowania przy i/lub wymuszania części produktu;
- nieprawidłowej lub niewłaściwej konserwacji lub modyfikacji produktu;
- nieprawidłowego używania produktu (np. przeciążenie, używanie w zawodach i/lub do celów handlowych lub wynajmu);
- konserwacji, napraw i /lub interwencji technicznych na produkcie wykonanych przez nieupoważnione strony trzecie;
- uszkodzenia produktu w czasie transportu, jeśli został dokonany przez nabywcę;
- uszkodzeń i/lub defektów wynikających z użycia nieoryginalnych części zamiennych.

W przypadku gdy w czasie okresu ważności gwarancji prawnej domniema się niezgodności produktu, nabywca musi się skontaktować ze sprzedawcą; sprzedawca jest w takim wypadku zobowiązany do poinformowania o rzekomym braku zgodności i do wskazania procedur, które należy zastosować, w zależności od kategorii produktu i/lub wykrytej wady.



## Deklaracja zgodności

M.T. Distribution S.r.l.

Indirizzo: Via Bargellino 10, 40012 Calderara di Reno (BO), Italia

Niniejsza deklaracja zgodności wydana zostaje na wyłączną odpowiedzialność Producenta

Marka produktu	Ducati
Model produktu	MG-20
Opis produktu	Rower elektryczny
Wartość znamionowa	Produkt: DC 36V, 250W

Jest zgodny z wymaganiami dyrektywy w sprawie zbliżenia ustawodawstw Państw Członkowskich odnoszących się do kompatybilności elektromagnetycznej 2014/30/UE MD 2006/42/WE

Normy odniesienia

EN 15194: 2017

EN 55014-1: 2017

EN 61000-3-2: 2014

EN 61000-3-3: 2013

EN 55014-2: 2015

Nazwa zakładu produkcyjnego: ONEBOT CYCLES Sp.oz.o

Adres zakładu produkcyjnego: Prologis Park Wrocław 1, budynek DC 1 A, ul. Magazynowa 1, 55-040 Bielany Wrocławskie, Polska

Data: 07/01/2020

Dokumentacja techniczna jest dostępna do dyspozycji organów UE na ich żądanie

Miejsce: Bolonia, Włochy

Imię i nazwisko: Alessandro Summa

Stanowisko: Dyrektor generalny

MT DISTRIBUTION S.R.L

Via Bargellino 10, 40012, Calderara di Reno (BO), Włochy

Osoba upoważniona: Alessandro Summa

Stanowisko: Dyrektor generalny

### UWAGI:

Niniejsza deklaracja zgodności dotyczy Roweru Elektrycznego wprowadzonego do obrotu w krajach, w których wymagane jest

Alessandro Summa

M.T. DISTRIBUTION SRL  
Via Bargellino, 10 b/c  
40012 CALDERARA DI RENO (BO)  
FONN FISS: 011 7 984 0377  
NOME COGNOME / QUALIFCA E  
TIMBRO AZIENDALE

# **MG-20**

skládací elektrokolo

## Návod k použití a údržbě

Před použitím musí být jízdní kolo správně sestaveno a zkontrolováno ve všech jeho částech. Na jakékoli poškození způsobené nesprávnou montáží nebo údržbou se nevztahuje záruka.

Chcete-li získat další informace nebo požádat o technickou podporu a pomoc, obraťte se na svého prodejce nebo navštivte webové stránky [www.ducatiurbanemobility.com](http://www.ducatiurbanemobility.com)

1. Předmluva
2. Bezpečnostní varování
3. Obsah balení
4. Popis kola (epac)
5. Zvedání a přenášení
6. Spuštění
7. Rychlý start
8. Displej LCD
9. Pokyny k nastavení displeje
10. Pokyny k údržbě
11. Nákres připojení
12. Odstraňování problémů
13. Baterie (varování)
14. Technické údaje
15. Záruční podmínky

# 1. Předmluva

## Přehled

Tento návod je nedílnou a nezbytnou součástí jízdního kola s podporou šlapání (EPAC) a musí být poskytnut uživateli.

Před prvním použitím jízdního kola je nutné, aby si uživatelé přečetli následující ustanovení, porozuměli jim a důsledně je dodržovali.

Výrobce neodpovídá za škody na osobách a/nebo majetku nebo na jízdním kole s podporou šlapání, pokud je používáno nesprávným způsobem, který není v souladu s uvedenými pokyny.

S ohledem na neustálý technologický vývoj si výrobce vyhrazuje právo měnit jízdní kolo s podporou šlapání (EPAC) bez předchozího upozornění, aniž by byl tento návod automaticky aktualizován.

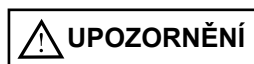
Doporučujeme navštívit webové stránky [www.ducatiurbanemobility.com](http://www.ducatiurbanemobility.com), kde budou nahrány veškeré aktualizace nebo změny této příručky.

## Služba podpory

V případě jakýchkoli problémů nebo žádostí o vysvětlení se neváhejte obrátit na servisní službu autorizovaného prodejce Ducati Urban e-Mobility, který vám poskytne kvalifikovaný a specializovaný personál, specifické vybavení a originální náhradní díly.

## Grafická podoba bezpečnostních upozornění

Následující grafické symboly se používají k identifikaci bezpečnostních pokynů v této příručce. Jejich úkolem je upoutat pozornost čtenáře/uživatele a zajistit správné a bezpečné používání jízdního kola s podporou šlapání.



## Věnujte pozornost

Hlavní pravidla chování, která je třeba dodržovat, aby nedošlo k poškození jízdního kola s podporou šlapání a/nebo ke vzniku nebezpečných situací.



## Zbytková rizika

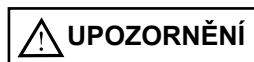
To upozorňuje na přítomnost nebezpečí, která způsobují zbytková rizika, jimž musí uživatel věnovat pozornost, aby se vyhnul zranění nebo škodám na majetku.

## Právní poznámka k použití

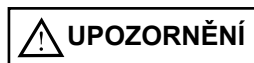
Vždy dodržujte pravidla silničního provozu a dopravní předpisy, které platí pro cyklisty v zemi, kde se pohybují.

## 2. Bezpečnostní varování

### Obecná bezpečnostní pravidla



**Používání jízdního kola s podporou šlapání** Každý uživatel si musí před prvním použitím jízdního kola přečíst tento návod k použití a údržbě, zejména kapitolu o bezpečnostních pokynech.



### Rizika spojená s používáním jízdního kola s podporou šlapání

Navzdory použití bezpečnostních zařízení musíte pro zajištění bezpečného používání jízdního kola s podporou šlapání dbát všech pokynů pro prevenci nehod uvedených v tomto návodu.

Při jízdě na kole se vždy soustřeďte a nepodceňujte zbytková rizika spojená s používáním kola s podporou šlapání.

I když jste již seznámeni s používáním jízdních kol s podporou šlapání, musíte dodržovat zde uvedené pokyny, jakož i obecná bezpečnostní opatření, která je třeba dodržovat při jízdě na motorovém kole.

### Odpovědnost

Uživatel je povinen používat jízdní kolo s podporou šlapání s maximální opatrností a v plném souladu s dopravními předpisy a všemi příslušnými předpisy o jízdě na kole platnými v zemi, kde je kolo v provozu.

Uživatel je rovněž povinen udržovat jízdní kolo s podporou šlapání v čistotě a v perfektním stavu, pečlivě provádět bezpečnostní kontroly, které spadají do jeho kompetence, jak je popsáno v části Upozornění a doporučení, a uchovávat veškerou dokumentaci týkající se údržby jízdního kola s podporou šlapání.

Uživatel musí pečlivě posoudit atmosférické podmínky, které by mohly způsobit nebezpečí při používání jízdního kola s podporou šlapání. Za tímto účelem doporučujeme snížit rychlost a dodržovat dostatečnou brzdovou dráhu v případě jízdy za nepříznivých povětrnostních podmínek a/nebo v hustém provozu.

## Upozornění pro uživatele

- Jízda se spolujezdcem je zakázána.
- Před jízdou na kole s podporou šlapání nepožívejte alkohol ani drogy.
- Tento model jízdního kola s podporou šlapání je navržen a vyroben pro venkovní použití na veřejných komunikacích nebo cyklostezkách.
- Nesnažte se jízdní kolo s podporou šlapání nutit k vyššímu výkonu, než pro jaký bylo navrženo.
- Nikdy nejezděte na jízdním kole s podporou šlapání s demontovanými díly.
- Vyhýbejte se nerovným povrchům a překážkám.
- Jezděte s oběma rukama na řídítkách.
- Vyměňte opotřebované a/nebo poškozené díly a před použitím zkontrolujte, zda ochranné kryty správně fungují.

## Poznámky k údržbě

Veškerá údržba musí probíhat při odpojeném akumulátoru.

Během každé fáze údržby musí být obsluha vybavena potřebným vybavením pro prevenci nehod.

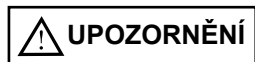
Nástroje používané k údržbě musí být vhodné a kvalitní.

Nepoužívejte benzín ani hořlavá rozpouštědla, například čisticí prostředky, ale vždy používejte nehořlavá a netoxická rozpouštědla.

Co nejvíce omezte používání stlačeného vzduchu (max. 2 bary) a chraňte se brýlemi s bočními štíty.

Při ověřování nebo údržbě nikdy nepoužívejte jako osvětlovací prostředek otevřený plamen.

Po každé údržbě nebo seřízení se ujistěte, že mezi pohyblivými částmi jízdního kola s podporou šlapání nezůstaly žádné nástroje ani cizí tělesa.



## Originální náhradní díly

Používejte pouze originální náhradní díly Ducati Urban e-Mobility.

Výrobce nenes odpovědnost za poškození nebo ztrátu funkčnosti způsobené použitím neoriginálního příslušenství a dílů.

## Ostatní ustanovení

Při zahájení používání jízdního kola je třeba nejprve zkontrolovat přítomnost a neporušenost ochranných krytů a funkčnost bezpečnostních zařízení.

Pokud zjistíte jakoukoli závadu, jízdní kolo s podporou šlapání nepoužívejte!



## Ochranné prvky

Proto je přísně zakázáno upravovat nebo odstraňovat kryty baterie, řetězu atd., jakož i výstražné a identifikační štítky.

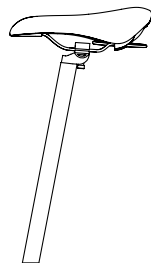
## Skladování ve skladu

V případě, že je nutné jízdní kolo s podporou šlapání dlouhodobě skladovat, je nutné provést následující úkony:

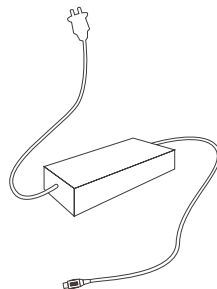
- Opravujte ho na suchém a dobře větraném místě.
- Provedte generální čištění jízdního kola s podporou šlapání.
- Vyměňte baterii z místa uložení.
- Kolo nechte na stojánku.
- Vystavené elektrické kontakty chraňte antioxidačními přípravky.
- Všechny povrchy, které nejsou chráněny nátěry nebo antikorozní úpravou, promažte.



### 3. Obsah balení



- Rám jízdního kola
- Sedlo + sloupek sedla
- Nabíječka
- Zadní odrazové světlo
- Imbusový klíč (4 mm)
- Přední blatník
- Zadní blatník
- 2 klíče k zámku baterie



## 4. . Popis kola (epac)



1. Sedlo
2. Rám kola
3. Představec
4. Bezpečný zámek
5. Řídítka
6. Brzdová páka
7. Přední světlo
8. Přední vidlice
9. Kotoučová brzda
10. Přední blatník (k montáži, dodává se v krabici)
11. Řetězové kolo
12. Ochranné kolo řetězového kola
13. Podpěrné kolo
14. Pedál
15. Stojánek
16. Zadní přehazovačka
17. Motor
18. Zadní blatník (k montáži, dodává se v krabici)
19. Objímka sloupku sedla
20. Sloupek sedla
21. Zadní odrazové světlo (nutno sestavit, dodává se v krabici)
22. Sériové číslo

## Podmínky použití

Kolo s podporou šlapání bylo navrženo a vyrobeno pro jízdu venku, na veřejných komunikacích a cyklostezkách, vždy však na asfaltovém povrchu.

Jakákoli změna konstrukčního stavu může ohrozit bezpečnost a stabilitu jízdního kola s podporou šlapání a může vést k nehodě.

Jiné způsoby použití nebo použití nad rámec zamýšleného použití neodpovídají použití zamýšlenému výrobcem, a proto výrobce již nemůže nést odpovědnost za případné škody z toho vyplývající.

Životnost baterie, a tedy i odhadovaný počet ujetých kilometrů, se může značně lišit v závislosti na způsobu používání a vnějších vlivech; v úvahu berte zejména tyto faktory: hmotnost uživatele, četnost šlapání, úroveň asistence zvolená na displeji, průměrná rychlost, tloušťka a opotřebení běhounu, sklon a povrch vozovky, povětrnostní podmínky.

## Prostředí použití

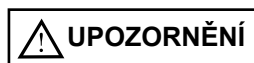
Kolo s podporou šlapání lze používat venku, pokud nejsou nepříznivé povětrnostní podmínky (déšť, kroupy, sníh, silný vítr atd.).

Maximální povolená teplota: + 40 °C

Minimální povolená teplota: + 0°C

Maximální povolená vlhkost: 80 %

Prostředí pro použití musí mít rovný, kompaktní asfaltový povrch bez nerovností, výmolů nebo prohlubní a bez překážek a olejových skvrn. Kromě toho musí být místo použití osvětleno buď sluncem, nebo umělým osvětlením, aby byla zajištěna správná viditelnost trasy a ovládacích prvků jízdního kola s podporou šlapání (doporučuje se 300 až 500 luxů).



## Zakázaná prostředí použití

Kolo s podporou šlapání se nesmí používat:

v oblastech s nebezpečím požáru nebo výbuchu; v prostředí s korozivní a/nebo chemicky aktivní atmosférou; ve špatně osvětleném prostředí; na pozemku se sklonem větším než 10 %; na nerovném, nezpevněném terénu.

## Nesprávné použití a kontraindikace

Níže popsané činnosti, které samozřejmě nemohou pokrýt celou škálu potenciálních možností „zneužití“ jízdního kola s podporou šlapání, je třeba považovat za zcela zakázané.



### Zakázané operace

Provádění zakázaných operací má za následek neplatnost záruky.

Výrobce odmítá jakoukoli odpovědnost za škody na osobách a věcech vzniklé v důsledku provádění zakázaných operací.



### Je přísně zakázáno:

Jezdit na jízdním kole s podporou šlapání pro jiné účely, než pro které bylo vyrobeno, tj. pro přepravu osob.

Jezdit na kole s podporou šlapání v místech, kde hrozí nebezpečí výbuchu.

Jezdit na kole s podporou šlapání za nepříznivých povětrnostních podmínek (déšť, kroupy, sníh, silný vítr atd.).

Převážet spolujezdce.

Jezdit na jízdním kole s podporou šlapání pod vlivem alkoholu nebo drog.

Jezdit na kole s podporou šlapání, pokud je vaše hmotnost vyšší než povolená. Nabíjet baterii v příliš horkém nebo nedostatečně větraném prostředí.

Zakrývat baterii během nabíjení.

Kouřit nebo používat otevřený oheň poblíž prostoru nabíjení.

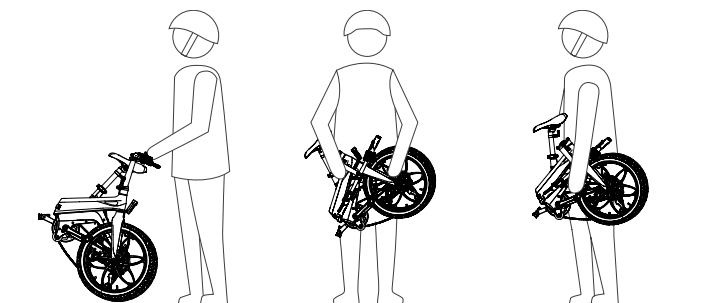
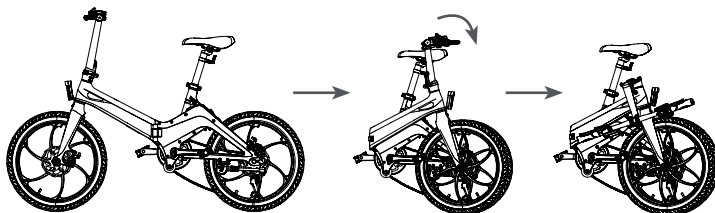
Projíždět nebo zastavovat na povrchu se sklonem větším než 10 % nebo na nerovném povrchu (nezpevněném, s dírami, prohlubněmi, překážkami atd.).

Provádět údržbu s připojenou baterií. Používat neoriginální náhradní díly.

Vkládat končetiny nebo prsty mezi pohyblivé části jízdního kola.

Je naprosto zakázáno zvedat sloupek sedla nad hranici 10 cm, aby nedošlo ke zlomeninám rámu.

## 5. Procházky a přenášení



### Drcení a náraz

Při zvedání je nutné pracovat s maximální opatrností, aby nedošlo k poškození osob a věcí.

Výrobce neručí za poškození způsobená zvedáním a/nebo přepravou jízdního kola s podporou šlapání po dodání.

Hmotnost kola s podporou šlapání je přibližně 21 kg, doporučuje se zvedání dvěma dospělými osobami.

### Přeprava

Pro zajištění vysoké úrovně bezpečnosti při přepravě v dodávkách je nutné zabránit pohybu jízdního kola s podporou šlapání. Toho dosáhnete tak, že jej opřete o stojan a přivážete popruhy nebo kotevními lany v dobrém stavu.

V tomto ohledu musí být upevňovací zařízení instalována tak, aby nepoškodila rám a další části jízdního kola.

## 6. Spuštění

### Nabíjení baterie

Před prvním použitím jízdního kola je nutné baterii nabíjet alespoň 4-6 hodin, dokud není nabíjení dokončeno, a to pomocí dodané nabíječky.

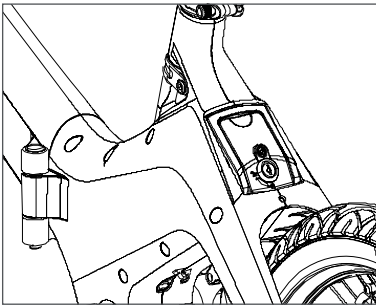
Kolo je napájeno 36V lithium-iontovou baterií.

Průměrná doba nabíjení je přibližně 4-6 hodin. Baterie jsou lithiové.

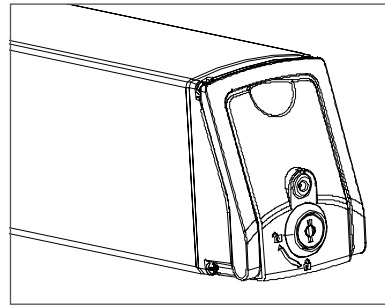
Aby se životnost baterie co nejvíce prodloužila, doporučuje se každých třicet dní baterii plně nabít, i když se kolo nepoužívá.

Doporučujeme nabíjet baterii speciální nabíječkou po každém použití kola s podporou šlapání.

**Během nabíjení svítí na nabíječce červená kontrolka, po dokončení nabíjení červená kontrolka zhasne a rozsvítí se zelená.**

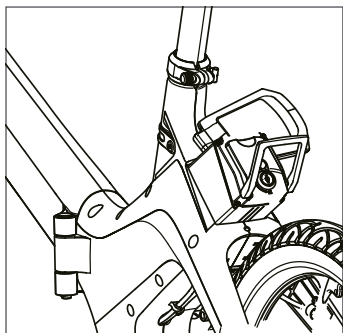


První možnost nabíjení: otevřete gumovou krytku nabíjecího portu a nabíjejte.

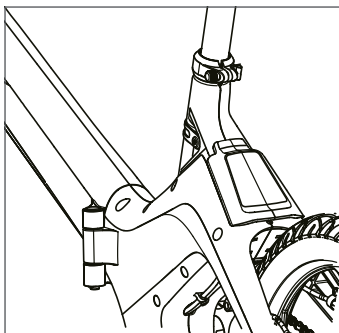


Druhá možnost nabíjení: vyjměte baterii a nabíjejte ji, aniž byste museli kolo přenášet.

## Odinstalace a instalace baterie



1. Vypněte vozidlo, odemkněte baterii a poté vytáhněte skříňku baterie pomocí zvedací rukojeti, jak je znázorněno na obrázku



2. Při instalaci baterie uzamkněte baterii klíčem a klíč vyjměte, stiskněte rukojet' baterie, aby byla plochá, a rozložte rám kola.



### Bezpečnostní opatření při nabíjení

Vždy připojte zástrčku k baterii a poté napájecí zástrčku k elektrické síti.

Po dokončení dobíjení vždy nejprve odpojte zástrčku od elektrické sítě a poté zástrčku od baterie.

Baterii vždy plně nabíjte. Vždy používejte originální napájecí zdroje.

Baterii nenabíjejte déle než 16 hodin. Vždy dobíjejte na větraném místě.

Baterii nenabíjejte v příliš horkém prostředí. Baterii nenabíjejte v blízkosti hořlavých kapalin.

Během nabíjení baterii nijak nezakrývejte.

Pokud baterie vydává nepříjemný zápach, okamžitě ji odpojte od napájení a vyvětrejte místnost, baterie se nedotýkejte.

Pokud baterii nepoužíváte, uchovávejte ji na chladném a suchém místě.

## Vydejte se na cesty

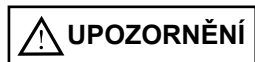
Před použitím jízdního kola s podporou šlapání, aby bylo zajištěno účinné „uvedení výrobku do provozu“, je vhodné pečlivě zkontrolovat každou část a zajistit odpovídající zásah do nastavení příslušných mechanických součástí, a to přímo nebo s podporou specializované obsluhy, např. nastavení a dotažení řídítek a představce, nastavení a dotažení sedla a sedlovky, nastavení brzd, nastavení převodovky, kontrola tlaku v pneumatikách, mazání řetězu a převodníků, kontrola správného dotažení upevňovacích šroubů a celková kontrola všech částí. Doporučuje se, aby uvedení do provozu prováděli kvalifikovaní pracovníci

### Kola

Zkontrolujte tlak vzduchu v pneumatice podle hodnot uvedených na hraně pneumatiky. Zkontrolujte stav opotřebení pryže: nesmí být žádné řezy, praskliny, cizí tělesa, abnormální otoky, obnažené plátno a jiná poškození.

### Brzdový systém

Zkontrolujte funkčnost brzd zkouškou brzdění při nízké rychlosti (max. 6 km/h) v prostoru bez překážek, nejprve zadní brzdou a poté přední brzdou.



### Kontrola s negativními výsledky

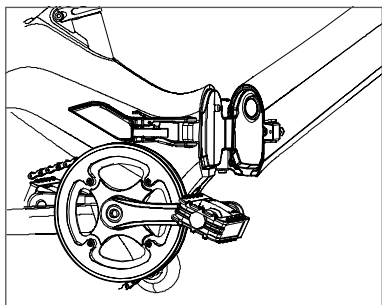
V případě, že se při předběžných kontrolách zjistí jakékoliv závady a i jediná kontrola má negativní výsledek, **na jízdním kole s podporou šlapání nejezděte.**

Okamžitě aktivujte všechna opatření k řádnému nastavení a v případě potřeby kontaktujte servisní službu.

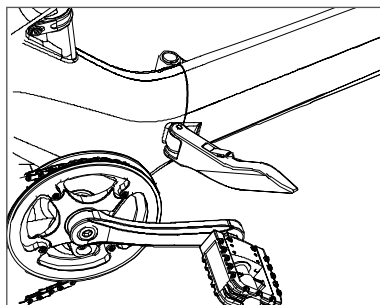


## 7. Rychlý start

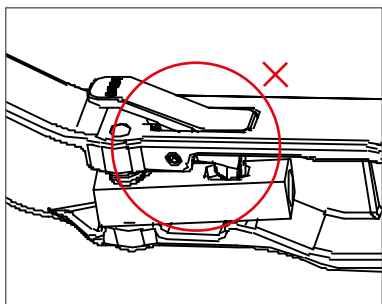
### Rozložení kola



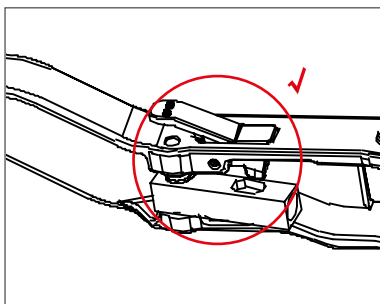
1. Podržte kostru kola, rozložte rám.



2. Jak je znázorněno na obrázku, svorku pevně zajistěte, před zajištěním svorky dokončete krok 3) a 4).

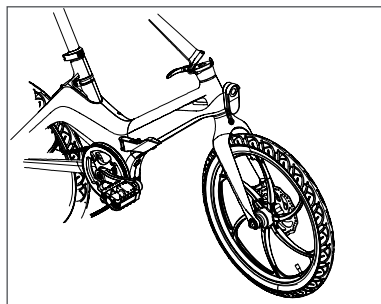


3. Pokud se upevňovací prvek zobrazí jako na obrázku, je třeba jej stlačit dolů, aby se vypouklý kus uvolnil.

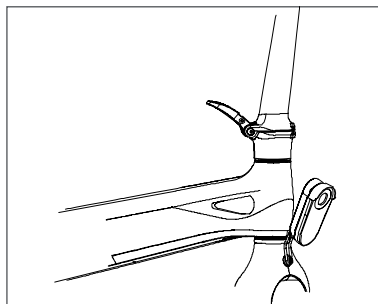


4. Pokud se upevňovací prvek zobrazí jako na obrázku, můžete provést krok 2) k uzamčení rámu.

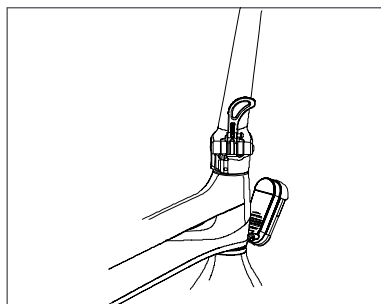
## Rozložení představce



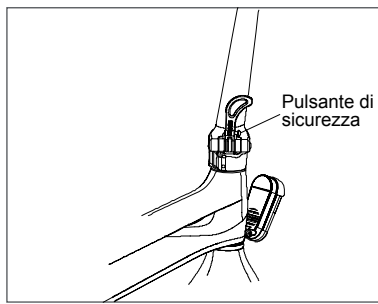
1. Přidržte kostru kola a otočte představec do svislé polohy, abyste se ujistili, že je představec plynule spojen se spodní částí.



2. Sklopný klíč upevněte přímo ve směru představce.



3. Mírně zatřeste představcem a zkontrolujte, zda je bezpečnostní spona zapnutá



4. Při skládání představce je třeba stisknout bezpečnostní sponu a poté otevřít skládací klíč.

## Montáž řídítek



1. Pomocí imbusového klíče M4 povolte šroub představce a sundejte svorku.

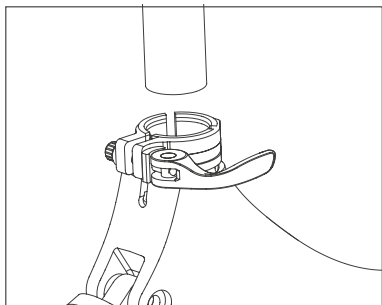


2. Opatrně nasadte svorku na střed řídítek a utáhněte šrouby pomocí imbusového klíče M4.

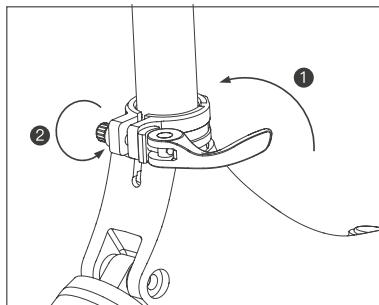


3. Před jízdou zkontrolujte pevnost a správnou polohu řídítek.

## Montáž sloupku sedadla

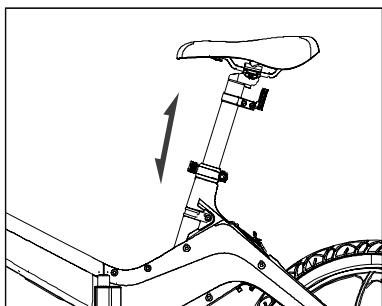


1. Uvolněte objímku sedlovky, udržujte kolo v klidu a vložte sedlovku do rámu.

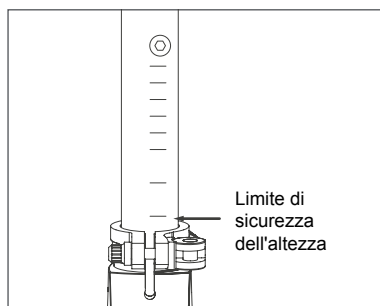


2. Nastavte šroub, utáhněte objímku a poté sedlovku stiskněte v plném náklonu, abyste se ujistili, že je sedlový sloupek dostatečně pevně zajištěn a neotáčí se ani se nepohybuje nahoru a dolů.

## Nastavení výšky sedla

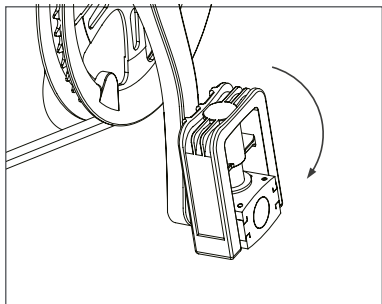


1. Pokud potřebujete nastavit výšku sedla, nejprve povolte objímku sedlovky, poté posuňte sedlovku do požadované výšky a objímku sedlovky utáhněte.

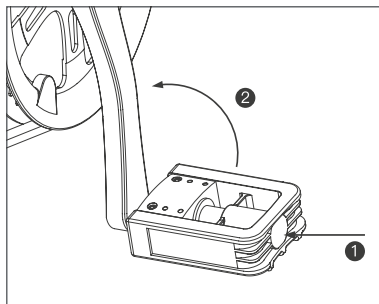


2. Výška sedla nesmí překročit hranici minimální bezpečnostní výšky vložky.

## Rozložení a složení pedálů

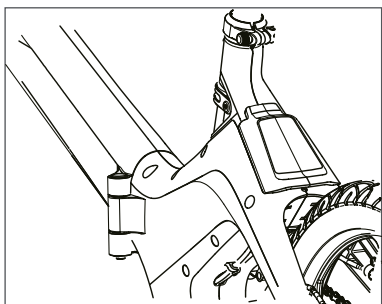


1. Podržte kostru kola a rozložte pedály.



2. Sešlápněte pedál směrem ke klíče a sklopte jej.

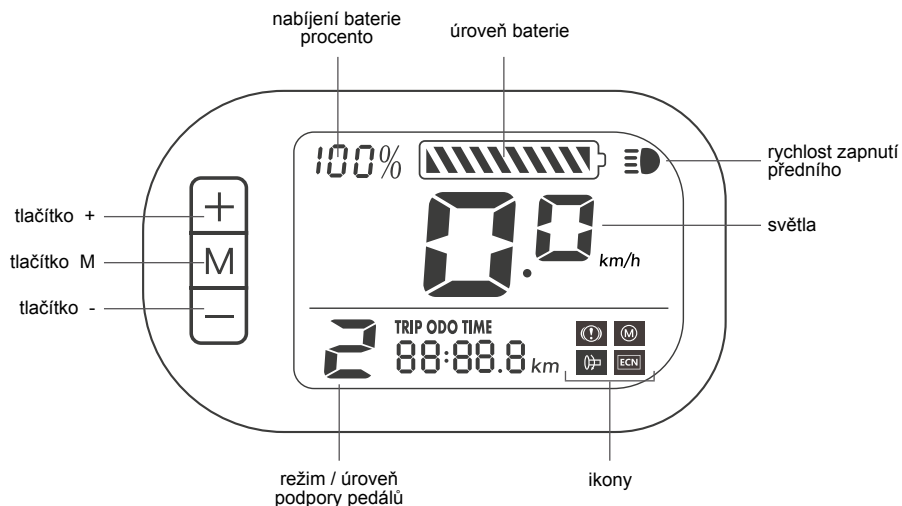
## Zapnutí napájení



1. Před první jízdou baterii nabijte.

Poznámka: Po dokončení nabíjení zakryjte zástrčku, abyste zabránili vniknutí vody do nabíjecího portu.

## 8. Displej LCD



### Funkce tlačítka:

**Tasto M** : tasto multifunzione, premere per 3 secondi per accendere/spengnere la bicicletta; premere brevemente per passare alla visualizzazione dei chilometri del singolo viaggio, dei chilometri totali e del tempo di funzionamento.

**Tlačítko A** : multifunkční tlačítko, dlouhým stisknutím na 3 sekundy zapnete/vypnete kolo; krátkým stisknutím přepnete zobrazení ujetých kilometrů, celkového počtu ujetých kilometrů a doby jízdy.

**Tlačítko +** : dlouhým stisknutím na 3 sekundy zapnete/vypnete přední světlo.

**Tlačítko +** : krátkým stisknutím zvýšíte rychlostní režim.

**Tlačítko -** : krátkým stisknutím snížíte rychlostní režim.



Indikátor baterie je plný, když je baterie vašeho šlapacího kola plně nabitá. Při používání jízdního kola s podporou šlapání klesá úroveň nabití baterie. Úroveň nabití indikátoru baterie může kolísat v závislosti na používání jízdního kola s podporou šlapání, například pokud jedete do kopce, může úroveň nabití indikátoru baterie rychle klesat, protože spotřebujete mnohem více energie z baterie jízdního kola s podporou šlapání.

**Pro zajištění optimálního používání a údržby baterie se doporučuje baterii po každém použití plně nabít.**

## Význam ikon:



Signalizuje, že svítí přední světlo



Signalizuje, že brzda funguje.



Signalizuje, že škrticí klapka nefunguje nebo nefunguje správně



Signalizuje, že motor nefunguje nebo nefunguje správně



Signalizuje, že řídicí jednotka nefunguje nebo nefunguje správně

## TRIP ODO TIME

88:88.8

Přepínání mezi ujetými kilometry, celkovým počtem ujetých kilometrů a dobou jízdy

## 9. Pokyny k nastavení displeje

1. Stiskněte současně tlačítka + a - na 3 s a přejděte do nastavovacího rozhraní P0.
2. Obnovení továrního nastavení: Stiskněte tlačítko + po dobu asi 30 s v P0 a režim nastavení se automaticky ukončí.



### 3. Přepínač Km/Míle:

- A. Stiskněte tlačítko M a přepněte P0 na P1
- B. V režimu P1 stiskněte tlačítka +/- pro přepnutí režimu Km/Míle. 0=Km, 1=Míle
- C. Režim nastavení ukončíte současným stisknutím tlačítek +&-. Nebo automaticky ukončí režim nastavení po 15 s.





4. Mírně upravte rychlost:

A. Stiskněte tlačítko M a přepněte P0 na P2

P2 může pouze mírně upravit rychlost zobrazenou na displeji, nemůže změnit skutečnou rychlost.

B. Stisknutím tlačítek +/- údaje změníte. Správné nastavení je 15,6 pro 16palcová kola, 18,5 pro 20palcová kola. Čím větší jsou data, tím vyšší je rychlost na displeji (skutečná rychlost se nemění).



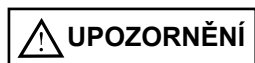
## 10. Pokyny k údržbě

**Všechny úkony údržby je nutné provádět při vypnutém systému, odpojeném akumulátoru a s jízdním kolem položeným na stojanu.**

Po každé běžné údržbě se doporučuje zkontrolovat bezchybnou funkci všech ovládacích prvků.

Tato příručka se podrobně nezabývá demontáží a nerutinní údržbou, protože tyto úkony musí vždy provádět výhradně pracovníci podpůrného servisu autorizovaného prodejce Ducati Urban e-Mobility.

Služba podpory je schopna poskytnout veškeré informace, které budete potřebovat, a zodpovědět všechny vaše požadavky týkající se dokonalé péče a údržby vašeho jízdního kola s podporou šlapání.



### Kontrola s negativními výsledky

- Pokud je výsledek byť jediné kontroly negativní, **na kole s podporou šlapání nejezděte.**
- Okamžitě proveďte veškerá opatření k provedení vhodné opravy a v případě potřeby se obraťte na servisní službu svého prodejce.

### Mytí

Čištění jízdního kola s podporou šlapání je nejen otázkou slušnosti, ale také umožňuje okamžitě zjistit jakoukoli závadu na kole.

Aby nedošlo k poškození nebo narušení funkčnosti různých součástí, zejména elektrických, je třeba čištění provádět za dodržení určitých bezpečnostních opatření. Je naprosto zakázáno směřovat proudy tlakové vody na elektrické části, motor, displej a baterii, pro které se doporučuje mytí houbou.

Před spuštěním jízdního kola s podporou šlapání jej zcela osušte hadříkem nebo papírem a dávejte pozor, abyste nepoškrábali lakované součásti. Nepoužívejte stlačený vzduch, zejména v těsné blízkosti a pod vysokým tlakem. Zkontrolujte, zda na elektrických součástech nezůstaly zbytky vlhkosti.

### Mazání řetězu

Je důležité řetěz pravidelně mazat, aby se zabránilo jeho nadměrnému opotřebení a prodloužila se jeho životnost.

1. Hadrem očistěte články řetězu po celé jejich délce.
2. Všechny články řetězu nastříkejte speciálním mazacím sprejem pro převodové řetězy.

## **Kontrola součástí**

Nosný rám jízdního kola s podporou šlapání a svary musí být bez viditelných vad, jako jsou praskliny, deformace, zářezy, koroze atd.

Ujistěte se, že jsou všechny šrouby a pedály jízdního kola s podporou šlapání řádně utaženy.

Zkontrolujte stav a upevnění akumulátoru, objímky elektrických kabelů musí být v dobrém stavu a svorky musí být dobře utaženy a nesmí být zkorodované.

Stav nabití baterie zkontrolujte pomocí indikátoru na displeji na řídkách.

Pro správné používání baterie ve vozidle EPAC doporučujeme baterii vždy po každém použití kola nabít.

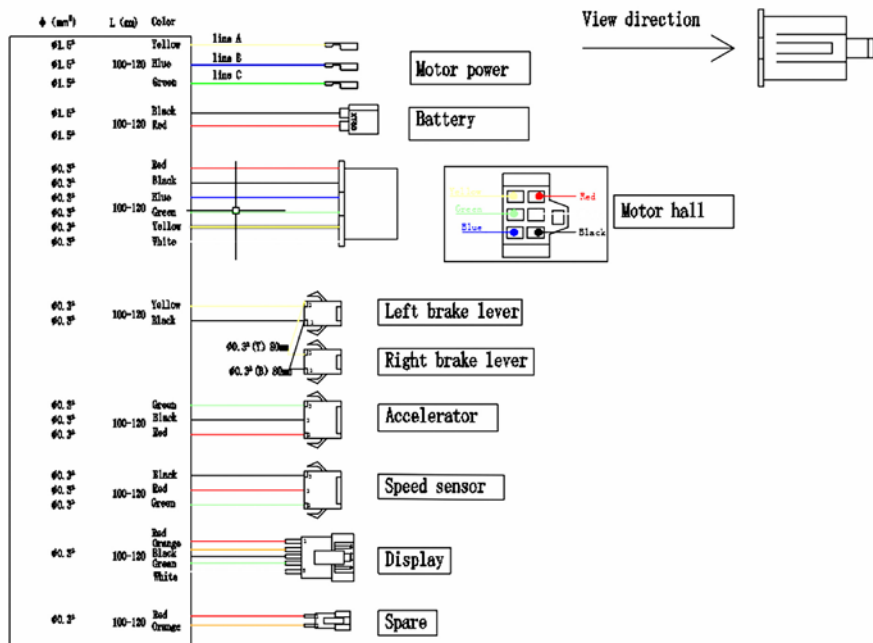
Pomocí kompresoru a tlakoměrné pistole nebo dílenské pumpy zkontrolujte tlak vzduchu v pneumatikách pomocí ventilu na ráfcích.

Zkontrolujte stav běhounu, ráfku a upevnění ráfků k nábojům. Pokud potřebujete vyměnit pneumatiky, obraťte se na servisní službu nebo na kvalifikovaného prodejce pneumatik.





Brzdy musí být seřizeny tak, aby bylo zajištěno účinné brzdění, a zároveň musí mít ovládací páčky dostatečný rozsah pro modulaci brzdění: jinými slovy, brzdy nesmí být ani příliš volné, ani příliš utažené.

# 11. Nákrēs pŕipojení

## 250W Controller



## 12. Odstraňování problémů

Kontrolka displeje	Důvody	Řešení
Brzda 	Signalizuje, že je brzda zapnutá.	/
	Brzdová páka se nevrací do normální polohy	Několikrát stiskněte brzdovou páku, aby se vrátila zpět. Brzdovou páku vyměňte za novou.
	Bez akcelérátoru	/
Závada akcelérátoru 	Kabel akcelérátoru, akcelérátor nebo konektor je rozbitý/poškozený	Vyměňte kabel, akcelérátor za nový
	Konektory mezi akcelérátorem a řídicí jednotkou nejsou dobře propojeny	Dobře se připojte
Spia del motore 	Il motore non funziona	Provedte výměnu motoru
	Kabely nebo konektor jsou zlomené/poškozené	Vyměňte kabel za nový
	Síňový kabel motoru není dobře připojen nebo je připojen špatně	Dobře se připojte
Spia della centralina 	Ovladač je rozbitý	Provedte výměnu za nový ovladač

## 13. Baterie (varování)

### Kontrolka baterie

Indikátor baterie je plný, když je baterie vašeho šlapacího kola plně nabitá. Při používání jízdního kola s podporou šlapání klesá úroveň nabití baterie. Úroveň nabití indikátoru baterie může kolísat v závislosti na používání jízdního kola s podporou šlapání, například pokud jedete do kopce, může úroveň nabití indikátoru baterie rychle klesat, protože spotřebujete mnohem více energie z baterie jízdního kola s podporou šlapání.

Pro zajištění optimálního používání a údržby baterie se doporučuje baterii po každém použití plně nabít.

Ujistěte se, že je kolo s podporou šlapání, nabíječka a nabíjecí port suchý.

Když je jízdní kolo s podporou šlapání plně nabitó, změní se kontrolka LED na nabíječe z červené (nabíjení) na zelenou (nabíjení dokončeno).

Používejte pouze originální nabíječku. Jiné nabíječky by mohly zařízení poškodit a způsobit tak další možná rizika.

Kolo s podporou šlapání by se nemělo nabíjet delší dobu. Nadměrné nabíjení snižuje životnost baterie a může způsobit další možná rizika.

Kolo s podporou šlapání nabíjejte v suchém prostředí mimo dosah hořlavých materiálů (např. materiálů, které by mohly explodovat v plamen), nejlépe při vnitřní teplotě 15-25 °C, nikdy však při teplotě nižší než 0 °C nebo vyšší než + 45 °C.

Nabíjení neprovádějte na přímém slunečním světle nebo v blízkosti ohně.

Jízdní kolo s podporou šlapání nenabíjejte ihned po použití. Před nabíjením nechte kolo s podporou šlapání jednu hodinu vychladnout.

Nikdy nenechávejte kolo s podporou šlapání během nabíjení bez dozoru. Tepelné riziko! Nikdy nepřipojujte nabíjecí zásuvku DC ke kovovým předmětům.

Přečtěte si výše uvedené části o nabíjení a skladování, abyste se ujistili, že baterii udržujete a zacházíte s ní správně. Aby nedošlo k přehřátí baterie, udržujte kolo s podporou šlapání mimo dosah otevřeného ohně nebo jiných zdrojů tepla. Jízdní kolo s podporou šlapání nenechávejte vystavené teplotám pod bodem mrazu. Jak nadměrné teplo, tak i chlad, mohou způsobit vybití baterie.

Vyvarujte se úplnému vybití baterie.

Nejllepší je baterii dobít, dokud je ještě trochu nabitá. Životnost baterie se tak prodlužuje. Pokud je nabití příliš nízké, nelze normálně řídit. To může vést ke ztrátě kontroly nebo pádu jezdce.

Dbejte na pravidelné nabíjení baterie, a to i v případech, že kolo s podporou šlapání delší dobu nepoužíváte. Tím se zabrání poškození baterie způsobené nízkým napětím po delší dobu.

## **Bezpečnostní opatření týkající se baterie**

Baterie je složena z lithium-iontových článků a chemických prvků, které jsou nebezpečné pro zdraví a životní prostředí. Jízdní kolo s podporou šlapání nepoužívejte pokud z něj vycházejí pachy, látky nebo nadměrné teplo. Jízdní kolo s podporou šlapání ani baterii nevyhazujte do domovního odpadu. Koncový uživatel je odpovědný za likvidaci elektrických a elektronických zařízení a baterií v souladu se všemi platnými předpisy.

### **Čemu je třeba se vyhnout:**

Otevření baterie nebo jejímu rozebrání, nárazům, házení nebo propíchnutí baterie nebo přilepení předmětů na baterii. Dotýkání se látek vytékajících z baterie, neboť ta obsahuje nebezpečné látky. Aby se baterie dotýkaly děti nebo domácí mazlíčci.

Nadměrné nabíjení, nadměrné vybíjení nebo zkratování baterie. Ponoření nebo vystavení baterie vodě nebo jiné kapalině. Vystavení baterie nadměrnému teplu nebo chladu.

Vystavení baterie prostředí obsahujícímu výbušné plyny nebo plameny.

Ponechání baterie na dešti nebo na přímém slunci nebo v horkém autě na přímém slunci.

Zpětná montáž nebo zpětná montáž baterie.

Přenášení nebo ukládání baterie společně s kovovými předměty, jako jsou sponky do vlasů, náhrdelníky apod. Jízda na jízdním kole s podporou šlapání během nabíjení.

Použití jiné nabíječky než originální.

## 14. Technické údaje

### Informazioni generali

Pneumatiky	20" X 2,125" s reflexní páskou
Ráfky	hoříčiková, 6paprsková
Brzdy	mechanický disk
Přepínač	SHIMANO 6 převodů
Vídlice	hoříčikový
Řetězová sada	řetězový kroužek 44T - 6 pastorků (14-16-18-21-24-28T)
Pedály	plastové, uzavíratelné
Rám	hoříčikové, skládací
Max. rychlost	25 km/h
Sedlo	komfortní model
Sedlová trubka	hliník
Řídítka	hliník, skládací
Úchyty	guma
Blatník	plast
Stojánek	rear, side model
Zadní nosič	zadní, boční model není součástí dodávky
Max.zatížení	110kg

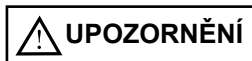
### Elektrický systém

Světla	Přední LED
Displej	LCD displej s asistenčními úrovněmi, kontrolkami ON/OFF, počítadlem kilometrů a souvisejícími funkcemi
Motor	36V, 250W, IP54, zadní strana
Baterie	SAMSUNG 36V, 10,5Ah, 378Wh integrovaný do rámu a odnímatelný
Nabíječka	vstup: 100-240 V, 50-60 Hz ,2,5 A / výstup: 42 V, 2,0 A
Čas nabíjení	4/5 hodin
Autonomie	až 50 km, tato hodnota závisí na: úrovni použité asistence, hmotnosti cyklisty, síle svalů při šlapání, tlaku v pneumatikách, sklonu vozovky, počtu zastávek a opětovných rozjezdů.

### Rozměry a hmotnost

Hmotnost baterie	2.06kg
Hmotnost bez baterie	18.47kg
Celková hmotnost	20.53kg
Rozměry e-kola	1510 x 580 x 1070mm
Rozměry balení	830 x 420 x 620mm





### **Povolená rychlost**

Maximální zákonem povolená rychlost je 25 km/h.

Jakékoli výrobce nepovolené zásahy do řídicí jednotky znamenají, že výrobce nenese odpovědnost za škody způsobené na osobách a/nebo věcech; navíc zaniká záruka na zakoupený výrobek.

Ovladač byl naprogramován tak, aby neumožňoval změny parametru maximální rychlosti.

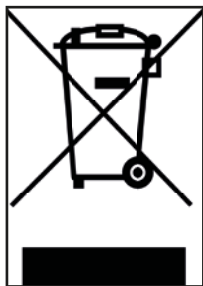


### **Nebezpečí zranění**

Dodržujte rychlost a chování odpovídající vašim schopnostem, nikdy nepoužívejte jízdní kolo s podporou šlapání rychlostí vyšší než 25 km/h, protože byste mohli způsobit vážné poškození a zranění sobě nebo jiným osobám.

 **UPOZORNĚNÍ**

**Likvidace elektrických nebo elektronických zařízení po skončení jejich životnosti (platí ve všech zemích Evropské unie a v dalších evropských systémech s odděleným sběrem).**



Tento symbol na výrobku nebo na obalu označuje, že výrobek by neměl být považován za běžný domovní odpad, ale měl by být odevzdán do příslušného sběrného místa pro recyklaci elektrických a elektronických zařízení (OEEZ).

Zajištěním správné likvidace tohoto produktu pomůžete zabránit možným negativním dopadům na životní prostředí a lidské zdraví, které by jinak mohly být způsobeny nesprávnou likvidací. Recyklace materiálů pomáhá šetřit přírodní zdroje.

Podrobnější informace o recyklaci tohoto výrobku získáte u místní služby pro likvidaci odpadu nebo v prodejně, kde jste jej zakoupili.

V každém případě je nutné výrobek zlikvidovat v souladu s předpisy platnými v zemi nákupu.

Spotřebitelé konkrétně nesmí likvidovat OEEZ jako komunální odpad, ale tento typ odpadu musí likvidovat odděleně, dvěma možnými způsoby:


1) V obecních sběrných střediscích přímo nebo prostřednictvím sběrných služeb obecních podniků, pokud jsou k dispozici.

2) Na prodejních místech, kde se prodávají nová elektrická a elektronická zařízení.

Zde lze bezplatně odevzdat velmi malá elektrozařízení (s nejdelší stranou menší než 25 cm), zatímco větší elektrozařízení lze odevzdat v režimu 1 na 1, tj. starý výrobek lze odevzdat při zakoupení nového se stejnou funkcí.

Pokud se zbavíte elektrického nebo elektronického zařízení nezákonným způsobem, mohou být uplatněny sankce stanovené platnými právními předpisy o ochraně životního prostředí (platí pouze pro Itálii).

V případě, že OEEZ obsahuje baterie nebo akumulátory, je třeba je vyjmout a zlikvidovat prostřednictvím specifického sběrného místa.

 **UPOZORNĚNÍ**

**Likvidace vybitých baterií (platí ve všech zemích Evropské unie a v dalších evropských systémech s odděleným sběrem)**



Tento symbol na produktu nebo obalu znamená, že baterie nesmí být považována za běžný domácí odpad. Na některých typech baterií lze tento symbol použít v kombinaci se symbolem chemické látky.

Chemické symboly pro rtuť (Hg) nebo olovo (Pb) se přidávají, pokud baterie obsahuje více než 0,0005 % rtuti nebo 0,004 % olova.

Zajištěním správné likvidace baterií pomůžete zabránit možným negativním dopadům na životní prostředí a zdraví, ke kterým by jinak mohlo dojít v důsledku nesprávného zacházení s odpadem. Recyklace materiálů pomáhá šetřit přírodní zdroje. Jestliže produkty z důvodu bezpečnosti, výkonu nebo ochrany dat vyžadují pevné připojení k interní baterii/článku, výměnu této součásti smí provést pouze kvalifikovaný servisní technik.

Po skončení životnosti odevzdejte výrobek na sběrné místo vhodné pro likvidaci elektrických a elektronických zařízení, čímž zajistíte, že bude správně zlikvidována i baterie uvnitř.

Podrobnější informace o likvidaci vybitého akumulátoru nebo výrobku získáte u místní služby pro likvidaci odpadu nebo v prodejně, kde jste jej zakoupili.

V každém případě je nutné výrobek zlikvidovat v souladu s předpisy platnými v zemi nákupu.

## 15. Záruční podmínky

Na všechny výrobky se vztahuje „zákonná záruka shody“ v souladu se směrnicí 2011/83/EU.

Právní záruka je vyhrazena spotřebitelům. Vztahuje se tedy pouze na uživatele, kteří provedli nákup pro účely nesouvisející s podnikatelskou, obchodní, řemeslnou nebo profesní činností.

Pro osoby, které si zakoupily Výrobky a které nemají jakost spotřebitele, se uplatní záruka za vady prodané věci, záruka za nedostatek slíbené a podstatné jakosti a další záruky stanovené občanským zákoníkem s příslušnými podmínkami, propadnutím a omezením.

Prodávající (a tedy, pokud jde o nákup výrobků, maloobchodník, který výrobek uživateli prodal) odpovídá spotřebiteli za jakýkoli nesoulad existující v době dodání výrobku, který se projeví do dvou let od výše uvedeného data dodání. Nesoulad musí být pod hrozbou propadnutí záruky oznámen prodávajícímu do dvou měsíců ode dne, kdy byl zjištěn.

Pokud se neprokáže opak, předpokládá se, že neshoda, která se objeví do šesti měsíců od dodání výrobku, existovala již k tomuto datu, pokud tento předpoklad není neslučitelný s povahou výrobku nebo s povahou neshody. Počínaje sedmým měsícem po dodání výrobku je na spotřebiteli, aby prokázal, že neshoda existovala již při dodání výrobku.

Aby mohl kupující využít zákonnou záruku, musí nejprve předložit doklad o datu nákupu a dodání zboží. Proto je vhodné, aby si kupující uschoval všechny doklady, které mohou potvrdit datum nákupu a dodání (například účtenku, fakturu, e-mail s potvrzením objednávky).

Jakékoli vady nebo poruchy způsobené náhodnými událostmi a/nebo přičitatelné odpovědnosti Kupujícího nebo používáním Výrobku, které není v souladu s jeho zamýšleným použitím a/nebo jak je uvedeno v technické dokumentaci přiložené k Výrobku, nebo v důsledku nesprávného seřízení mechanických částí, přirozeného opotřebení materiálů, které se snadno opotřebovávají, nebo způsobené chybami při montáži, nedostatečnou údržbou a/nebo používáním Výrobku v rozporu s pokyny.

Ze Zákonné záruky vztahující se na Výrobky jsou například vyloučeny následující skutečnosti:

- poškození způsobená nárazy, náhodnými pády nebo srážkami, propíchnutím;
- poškození způsobené používáním, vystavením nebo skladováním v nevhodném prostředí (např.: přítomnost deště a/nebo bláta, vystavení vlhkosti nebo nadměrnému teplu, kontakt s pískem nebo jinými látkami);
- poškození způsobené neseřízením v důsledku "nasazení na silnici" a/nebo údržby mechanických částí (mechanická kotoučová brzda, řídítka, pneumatiky atd.);

- nesprávná instalace a/nebo nesprávná montáž dílů a/nebo komponentů, s výjimkou případů, kdy instalaci a/nebo montáž provedl prodávající nebo na jeho odpovědnost a/nebo je provedl spotřebitel, ale chyba v instalaci a/nebo montáži je způsobena nedostatkem návodu k instalaci;
- přirozené opotřebení spotřebního materiálu: mechanické kotoučové brzdy (např. destičky, třmeny, kotouč, lanka), pneumatiky, plošiny, těsnění, ložiska, led světla a žárovky, stojan, kliky, blatníky, gumové díly (plošina), konektory kabelů, mřížky a nálepky atd.;
- nesprávná údržba a/nebo nesprávné používání baterie výrobku;
- manipulace s částmi výrobku a/nebo násilná manipulace;
- nesprávná nebo nedostatečná údržba nebo změna výrobku;
- nesprávné použití výrobku (např.: nadměrné zatížení, použití v soutěžích a/nebo pro komerční nebo pronájem);
- údržba, opravy a/nebo technické zásahy na Výrobku prováděné neoprávněnými třetími stranami;
- poškození Výrobků v důsledku přepravy, pokud ji provádí Kupující;
- poškození a/nebo závady vzniklé v důsledku použití neoriginálních dílů.

V případě, že se u zakoupeného Výrobku během doby platnosti Zákonné záruky projeví něco, co by mohlo být neshodou, musí Kupující kontaktovat Prodávajícího; ten na sdělení o údajné neshodě neprodleně odpoví a uvede konkrétní postup, který je třeba dodržet, a to i s ohledem na kategorii, do které Výrobek patří, a/nebo na nahlášenou vadu.



## Prohlášení o shodě

M.T. Distribution S.r.l.

Indirizzo: Via Bargellino 10, 40012 Calderara di Reno (BO), Italia

Toto prohlášení o shodě se vydává na výhradní odpovědnost výrobce.

Značka výrobku	Ducati
Model výrobku	MG-20
Popis výrobku	Elektrokolo
Hodnocení	Výrobek: DC 36V, 250W

Je v souladu s požadavky směrnic Rady o sblížení právních předpisů členských států týkajících

se směrnice Rady EU 2014/30/EU o elektromagnetické kompatibilitě EU MD 2006/42/ES.

Zkušební normy :

EN 15194: 2017

EN 55014-1: 2017

EN 61000-3-2: 2014

EN 61000-3-3: 2013

EN 55014-2: 2015

Název továrny: ONEBOT CYCLES Sp.zo.o

Adresa továrny: **Prologis Park Wrocław 1, building DC 1 A, Magazynowa 1 street, 55-040 Bielany Wrocławskie, Polsko**

Datum: 07/01/2020

Technická dokumentace je k dispozici v ústředí EU

Místo prohlášení: Bologna, Itálie

Jméno a příjmení: Alessandro Summa

- pozice: CEO

MT DISTRIBUTION S.R.L

Via Bargellino 10, 40012, Calderara di Reno (BO), Itálie

Oprávněná osoba: Alessandro Summa

- pozice: CEO

### POZNÁMKA:

Toto prohlášení o shodě se vztahuje pouze na elektrická kola prodávaná v zemích, které se řídí směrnicemi o označení CE..

Alessandro Summa

M.T. DISTRIBUTION SRL  
Via Bargellino, 10 b/c  
40012 CALDERARA DI RENO (BO)  
FIRM FISC: 01119840377  
NOME COGNOME QUALITÀ E  
TIMBO AZIENDALE

# **MG-20**

skladací bicykel na elektrický pohon

## Návod na použitie a údržbu

Pred použitím bicykla je ho nevyhnutné správne zostaviť a overiť všetky jeho časti. Akékoľvek škody spôsobené následkom nesprávnej montáže alebo údržby nie sú kryté zárukou.

Pre bližšie informácie, technickú podporu a pomoc, kontaktujte svojho predajcu alebo navštívte internetovú stránku [www.ducatiurbanemobility.com](http://www.ducatiurbanemobility.com)

1. Úvod
2. Bezpečnostné varovania
3. Zoznam balenia
4. Popis bicykla (epac)
5. Zdvíhanie a manipulácia
6. Rozbeh
7. Rýchly štart
8. LCD displej
9. Pokyny pre nastavenia displeja
10. Pokyny pre údržbu
11. Schéma zapojení
12. Riešenie problémov
13. Batéria (Výstrahy)
14. Technické špecifikácie
15. Záručné podmienky



# 1. Úvod

## Všeobecné informácie

Tento návod je neoddeliteľnou a podstatnou súčasťou bicykla na elektrický pohon (EPAC), ktorý musí byť jeho používateľovi poskytnutý.

Pred prvým použitím bicykla je nevyhnutné, aby si používateľ prečítal, pochopil a prísne dodržiaval nasledujúce pokyny.

Výrobca odmieta akúkoľvek zodpovednosť za škody spôsobené na osobách a/alebo veciach, alebo na bicykli na elektrický pohon v prípade jeho nesprávneho použitia, ktoré je v rozpore s uvedenými pokynmi.

V rámci napredujúceho technologického vývoja si výrobca vyhradzuje právo upraviť bicykel na elektrický pohon (EPAC) bez predchádzajúceho oznámenia a bez automatickej aktualizácie tohto návodu.

Odporúčame navštevovať internetovú stránku [www.ducatiurbanemobility.com](http://www.ducatiurbanemobility.com), kde budeme uvádzať akékoľvek aktualizácie alebo zmeny týkajúce sa tohto návodu.

## Služba podpory

Ak zaznamenáte akékoľvek problémy alebo máte požiadavky týkajúce sa objasnenia, neváhajte kontaktovať Službu podpory u svojho autorizovaného predajcu Ducati Urban e-Mobility, ktorý vám poskytne kvalifikovaný a odborný personál, špecifické vybavenie a originálne náhradné diely.

## Grafické znázornenie bezpečnostných upozornení

Za účelom identifikácie bezpečnostných upozornení budú v tomto návode uvedené nasledujúce grafické symboly. Ich funkciou je pritiahnúť pozornosť čitateľa/používateľa za účelom zaistenia správneho a bezpečného používania bicykla na elektrický pohon.



## Venujte pozornosť

Zdôrazňuje pravidlá správania, ktoré je treba dodržiavať za účelom zamedziť poškodeniu bicykla na elektrický pohon a/alebo výskytu nebezpečných situácií.



## Zvyškové riziká

Zdôrazňujú výskyt nebezpečných situácií spôsobujúcich zvyškové riziká, ktorým musí používateľ venovať pozornosť, aby sa predišlo zraneniu alebo poškodeniu majetku.

## Právna poznámka týkajúca sa používania

Vždy dodržujte predpisy a nariadenia týkajúce sa cestnej premávky, ktoré platia pre cyklistov v krajine jazdy na tomto bicykli.

## 2. Úvod

### Všeobecné bezpečnostné predpisy



#### Používanie bicykla na elektrický pohon

Každý používateľ si musí prečítať tento návod na použitie a údržbu pred prvým použitím bicykla, predovšetkým kapitolu o bezpečnostných predpisoch.



#### Riziká spojené s používaním bicykla na elektrický pohon

Napriek použitiu bezpečnostných zariadení sa za účelom bezpečného používania bicykla na elektrický pohon musíte oboznámiť so všetkými pokynmi na predchádzanie úrazov uvedenými v tomto návode.

Počas jazdy na bicykli sa sústreďte vždy na jazdu a nepodceňujte zvyškové riziká spojené s používaním bicykla na elektrický pohon.

Aj keď ste s používaním bicykla na elektrický pohon už oboznámený, musíte dodržiavať pokyny uvedené v tomto návode ako aj všeobecné opatrenia, ktoré je treba dodržiavať pri jazde na bicykli na elektrický pohon.

#### Zodpovednosť

Používateľ musí používať bicykel na elektrický pohon čo najrozumnejšie a v plnom súlade s predpismi cestnej premávky či všetkými obdobnými nariadeniami týkajúcimi sa bicyklovania platnými v krajine jazdy na tomto bicykli.

Používateľ tiež musí udržiavať bicykel na elektrický pohon dokonale čistý, výkonný a v zachovalom stave, usilovne vykonávať bezpečnostné kontroly, ktoré spadajú do jeho kompetencie tak, ako je to opísané v časti venovanej výstrahám a odporúčaniam, ako aj uschovať všetku dokumentáciu vzťahujúcu sa k údržbe bicykla na elektrický pohon.

Používateľ si musí dôkladne zistiť poveternostné podmienky, ktoré by mohli ohroziť používanie bicykla na elektrický pohon. Za týmto účelom odporúčame v prípade jazdy v nepriaznivých poveternostných podmienkach a/alebo hustej premávky prispôsobiť rýchlosť a zachovať primeranú brzdnú vzdialenosť.

## Výstrahy pre používateľov

- Je zakázané jazdiť na bicykli viac ako jednej osobe.
- Pred jazdou na bicykli na elektrický pohon nekonzumujte alkohol ani drogy.
- Tento model bicykla na elektrický pohon je navrhnutý a vyrobený za účelom používania vonku, na verejných alebo cyklistických cestách.
- Nepokúšajte sa preťažovať bicykel na elektrický pohon za účelom vyššieho výkonu než pre ktorý bol navrhnutý.
- Nikdy nejazdite na bicykli na elektrický pohon, keď sú jeho časti odmontované.
- Vyhňte sa nerovným povrchom a prekážkam.
- Kormidlo bicykla držte oboma rukami.
- Vymeňte opotrebované a/alebo poškodené časti, pred použitím skontrolujte správnu funkciu krytov.

## Poznámky týkajúce sa údržby

Všetky zákroky údržby musíte vykonávať po odpojení batérie.

Počas každej fázy údržby musia byť údržbári vybavení potrebným vybavením na účely predchádzania nehodám.

Nástroje použité na údržbu musia byť vhodné a dobrej kvality.

Nepoužívajte benzín ani horľavé rozpúšťadlá ako sú čistiace prostriedky, naopak vždy používajte nehorľavé a netoxické rozpúšťadlá.

Čo najviac obmedzte používanie stlačeného vzduchu (max. 2 bar) a chráňte sa ochrannými okuliarmi s postranným tienidlom.

Pri zákrokoch spojených s overovaním alebo údržbou nikdy nepoužívajte otvorený oheň ako prostriedok osvetlenia.

Po akomkoľvek procese údržby alebo nastavenia sa uistite o tom, či medzi pohybujúcimi sa časťami bicykla na elektrický pohon nezostali žiadne nástroje ani cudzie telesá.



## Originálne náhradné diely

Používajte iba originálne náhradné diely Ducati Urban e-Mobility.

Výrobca nezodpovedá za škody alebo stratu funkčnosti spôsobené používaním neoriginálneho príslušenstva a dielov.

## Iné opatrenia

Prvá vec, ktorú je treba v začiatkoch používania bicykla urobiť, je overiť výskyt a neporušenosť krytov a prevádzku bezpečnostných zariadení.

Ak nájdete akúkoľvek chybu, bicykel na elektrický pohon nepoužívajte



## Kryty

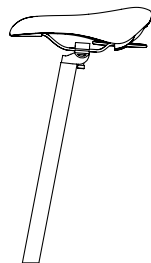
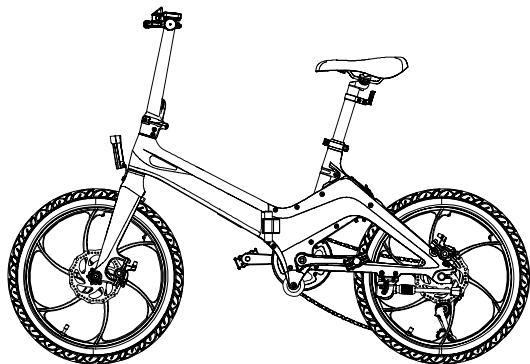
Je prísne zakázané upravovať alebo odstraňovať batériu a kryty reťaze, atď. To isté platí aj pre výstražné a identifikačné štítky.

## Skladovanie

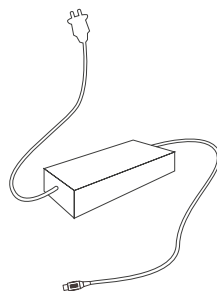
V prípade, že je bicykel na elektrický pohon nevyhnutné uskladniť z dôvodu jeho dlhodobej nečinnosti, je treba vykonať nasledujúce zákroky:

- Bicykel na elektrický pohon skladujte na suchom a dobre vetranom mieste.
- Celý ho dôkladne vyčistite.
- Vyberte batériu z miesta jej uloženia.
- Ponechajte bicykel na stojane na bicykle.
- Ochráňte odkryté elektrické kontakty antioxidačnými výrobkami.
- Namažte všetky povrchy, ktoré nie sú chránené lakom alebo nemajú antikoróznú úpravu.

### 3. Zoznam balenia



- Rám bicykla
- Sedadlo + sedadlová tyč
- Nabíjačka
- Zadné odrazové svetlo
- Allenov kľúč (4mm)
- Predný blatník
- Zadný blatník
- 2 kľúče na uzamknutie batérie



## 4. Popis bicykla (epac)



1. Sedadlo
2. Páčka na sklopenie/rozloženie rámu bicykla
3. Páčka na sklopenie tyče
4. Bezpečnostný zámok
5. Kormidlo
6. Brzdová páka
7. Predné svetlo
8. Predná vidlica
9. Kotúčová brzda
10. Predný blatník (je potrebná montáž, dodávaný v škatuli)
11. Reťazové koleso
12. Ochranné koleso reťazového kolesa
13. Podporné koleso
14. Pedál
15. Stojan na bicykel
16. Prehadzovač zadného pohonu
17. Motor
18. Zadný blatník (je potrebná montáž, dodávaný v škatuli)
19. Upínač sedadlovej tyče
20. Sedadlová tyč
21. Zadné odrazové svetlo (je potrebná montáž, dodaný v škatuli)
22. Výrobné číslo

## Podmienky používania

Bicykel na elektrický pohon bol navrhnutý a vyrobený za účelom jazdy vonku, na verejných či cyklistických cestách, ktoré musia byť vždy asfaltované.

Akákoľvek úprava konštrukčného stavu môže ohroziť bezpečnosť a stabilitu bicykla na elektrický pohon a viesť k nehodám.

Iné typy používania, alebo použitie v rozpore so zamýšľaným používaním, nezodpovedá výrobcom zamýšľanému používaniu. Výrobca preto v takom prípade nie je viac zodpovedný za akékoľvek škody.

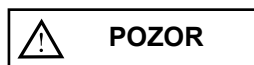
Životnosť batérie, a predpokladaná vzdialenosť jazdy vyjadrená v km, sa môžu meniť v závislosti od typu používania a vonkajších vplyvov; vplyv majú predovšetkým nasledujúce faktory: hmotnosť používateľa, frekvencia pedálovania, úroveň pomoci zvolená na displeji, priemerná rýchlosť, hrúbka dezénu a opotrebovanie, stúpanie a povrch vozovky, poveternostné podmienky.

## Prostredie používania

Bicykel na elektrický pohon sa smie používať vonku, v neprítomnosti nepriaznivých poveternostných podmienok (dážď, krupobitie, sneh, silný vietor, atď.).

Maximálna povolená teplota: + 40°C Minimálna povolená teplota: + 0°C Maximálna povolená vlhkosť: 80%

Prostredie používania musí mať rovný, kompaktný, asfaltovaný povrch, bez nerovností, priehlbni alebo jám, prekážok a olejových škvŕn. Okrem toho musí byť miesto používania osvetlené, či slnkom alebo umelým osvetlením, aby bola zaistená správna viditeľnosť cesty a kontroliek bicykla na elektrický pohon (odporúča sa 300 až 500 luxov).



## Zakázané prostredie používania

Bicykel na elektrický pohon sa nesmie používať:

v priestoroch vystavených rizikám vzniku požiaru alebo výbuchu; v prostrediach s korozívnym a/alebo chemicky aktívnym ovzduším; v slabo osvetlených prostrediach; na cestičkách so sklonom vyšším ako 10%; na nerovnom a nespevnenom teréne.

## Nevhodné používania a kontraindikácie

Nižšie opísané úkony, ktoré samozrejme nepokrývajú celý rozsah potenciálnych možností chybného používania bicykla na elektrický pohon, je treba považovať za absolútne zakázané.



### Zakázané zákroky

Vykonávanie zakázaných zákrokov ruší platnosť záruky.

Výrobca odmieta akúkoľvek zodpovednosť za škody na osobách a veciach vyplývajúce z vykonávania zakázaných zákrokov.



### Je prísne zakázané:

Jazdiť na bicykli na elektrický pohon za iným účelom než je ten, pre ktorý bol vyrobený, tzn. prevoz cestujúcich.

Jazdiť na bicykli na elektrický pohon v oblastiach s nebezpečenstvom výbuchu.

Jazdiť na bicykli na elektrický pohon v nepriaznivých poveternostných podmienkach (silný dážď, krupobitie, sneh, silný vietor, atď.).

Prevážať na bicykli na elektrický pohon spolujazdca.

Jazdiť na bicykli na elektrický pohon pod vplyvom alkoholu alebo drog.

Jazdiť na bicykli na elektrický pohon, ak vážite viac ako je uvedená povolená hmotnosť. Nabíjať batériu v prostredí, ktoré je príliš horúce alebo nedostatočne vetrané.

Prikryvať batériu počas nabíjania.

Fajčiť alebo používať otvorený oheň v blízkosti priestoru nabíjania.

Jazdiť alebo zastavovať na povrchoch so sklonom vyšším ako 10% alebo nerovných povrchoch (nespevnené, s jamami, priehlbňami, prekážkami, atď.).

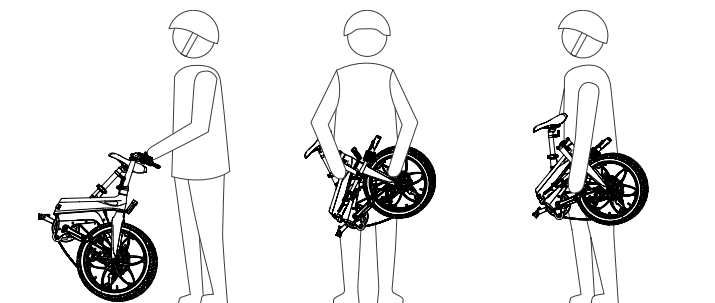
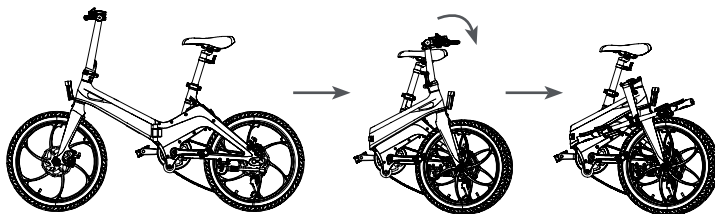
Vykonávať akúkoľvek údržbu, keď je batéria pripojená. Používať neoriginálne náhradné diely.

Vkladať končatiny alebo prsty medzi pohyblivé časti bicykla.

Je prísne zakázané nadvíhovať sedadlo o viac ako 10 cm než je uvedený limit, aby sa predišlo prelomeniu rámu.



## 5. Chôdza s bicyklom a jeho nosenie



### Deformácia a náraz

Počas zdvíhania je nevyhnutné konať maximálne opatrne, aby ste predišli poškodeniu osôb a vecí.

Výrobca nezodpovedá za poškodenia vzniknuté počas zdvíhania a/alebo prepravy bicykla na elektrický pohon po jeho doručení.

Hmotnosť bicykla na elektrický pohon je približne 21 kg, odporúča sa zdvíhať ho dvoma osobami.

### Preprava

Na zaistenie vysokej úrovne bezpečnosti počas prepravy v dodávkach je nevyhnutné zabrániť pohybu bicykla na elektrický pohon. Dosiahne sa to jeho uložením na stojan alebo priviazaním popruhmi alebo upevňujúcimi lanami v dobrom stave.

Viazacie prostriedky musia byť za týmto účelom inštalované takým spôsobom, aby nepoškodzovali rám ani iné časti bicykla.

## 6. Rozbeh

### Nabíjanie batérie

Pred prvým použitím bicykla je nevyhnutné nechať batériu nabiť pomocou dodanej nabíjačky aspoň 4 - 6 hodín, kým sa úplne nenabije.

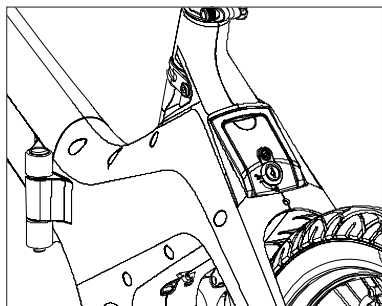
Bicykel je napájaný 36V líthium-iónovou batériou.

Priemerný čas nabíjania je 4 - 6 hodín. Batérie sú líthiového typu.

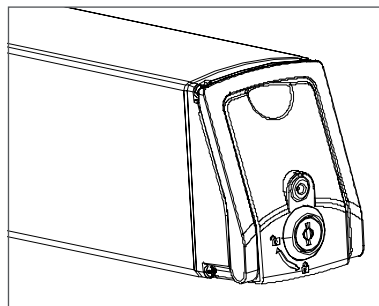
Za účelom čo najdlhšieho predĺženia životnosti batérie ju odporúčame úplne nabíjať každých tridsať dní, aj keď bicykel nepoužívate.

Odporúčame nabíjať batériu v jej špeciálnej nabíjačke po každom použití bicykla na elektrický pohon.

**Počas nabíjania bude svietiť červená kontrolka nabíjačky. Po ukončení nabíjania sa naopak rozsvieti zelená kontrolka.**

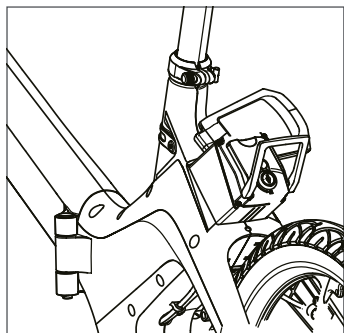


Prvá možnosť nabíjania: otvorte gumový uzáver na zásuvke na nabíjanie a nabíjajte.

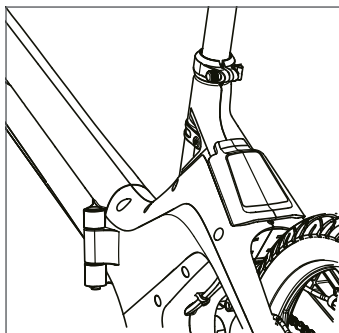


Druhá možnosť nabíjania: vyberte batériu a nabíjajte ju bez potreby hýbať bicyklom dokola.

## Vyberanie a vkladanie batérie



1. Odpojte bicykel od napájania, odblokujte batériu, potom vytiahnite puzdro batérie so zdvíhacou páčkou tak, ako je to uvedené na obrázku.



2. Pri inštalácii batérie zablokujte batériu pomocou kľúča a kľúč vyberte, zatlačte páčku batérie tak, aby bola zarovno a rozložte rám bicykla.



### NEBEZPEČENSTVO

#### Opatrenia počas nabíjania

Vždy pripojte najskôr zástrčku do batérie a potom zapojte zástrčku do siete.

Keď je nabíjanie kompletne, vždy odpojte najskôr zástrčku zo siete a potom zástrčku z batérie.

Batériu nabíjajte vždy kompletne. Vždy používajte originálne napájacie zdroje.

Nenechávajte batériu nabíjať dlhšie ako 16 hodín. Vždy ju nabíjajte vo vetranom priestore.

Nenabíjajte batériu v príliš horúcich prostrediach. Nenabíjajte batériu v blízkosti horľavých kvapalín.

Žiadnym spôsobom neprikrývajte batériu počas nabíjania.

Ak batéria produkuje zápach, okamžite ju odpojte od napájacej siete a miestnosť vyvetrajte, nedotýkajte sa batérie.

Keď batériu nepoužívate, skladujte ju na chladnom a suchom mieste.

## Uvedenie na cestu

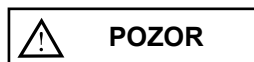
Pred použitím bicykla na elektrický pohon za účelom jeho uvedenia na cestu odporúčame dôkladne overiť každý diel a zabezpečiť vhodné nastavenie príslušných mechanických komponentov, priamo alebo s podporou špecializovaných pracovníkov, napr. nastavenie a utiahnutie kormidla a rúry, nastavenie a utiahnutie sedadla a sedadlovej tyče, nastavenie bŕzd, nastavenie prevodu, kontrola tlaku pneumatík, mazanie reťaze a prevodu, kontrola správneho utiahnutia upevňovacích skrutiek a celková kontrola všetkých dielov. Odporúčame, aby úkon prípravy bicykla na cestu vykonával kvalifikovaný personál.

## Kolesá

Skontrolujte tlak nahustenia pneumatík, s odkazom na hodnoty uvedené na boku pneumatiky. Overte stav opotrebovania gummy: nesmú sa na nej nachádzať žiadne zárezy, prasknutia, cudzie telesá, abnormálne zdurenia, odhalený dezén ani iné škody.

## Brzdový syst

Overte funkciu bŕzd testom pri nízkej rýchlosti (max. 6 km/hod.) v oblasti bez prekážok, najskôr na zadnej brzde a potom na prednej.



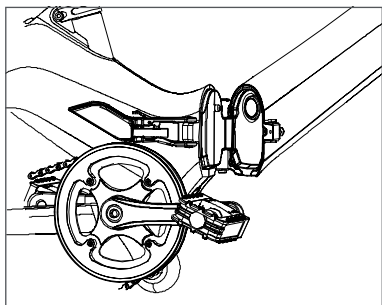
## Kontrola so záporným výsledkom

V prípade, že počas úvodných kontrol nájdete akékoľvek chyby a v prípade, že ak čo len jedna kontrola nebude úspešná, **nejazdíte na bicykli na elektrický pohon.**

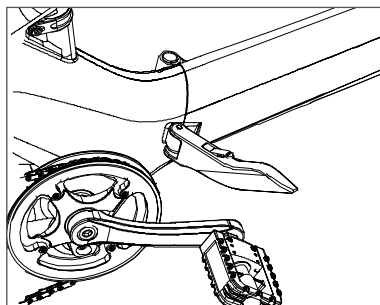
Prijmite okamžite všetky opatrenia za účelom správneho nastavenia a v prípade potreby kontaktujte Službu podpory.

## 7. Rýchly štart

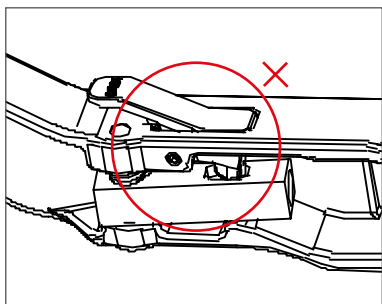
### Rozloženie bicykla



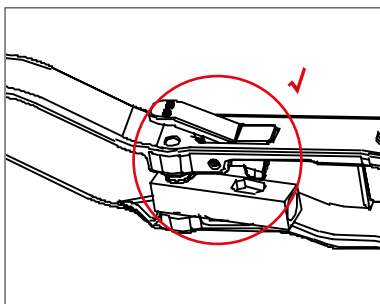
1. Podržte telo bicykla, rozložte rám.



2. Ako je to uvedené na obrázku, dôkladne zablokuje svorku páčky. Pred zablokováním svorky ukončite najskôr kroky 3) a 4).

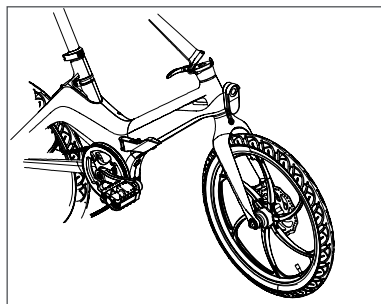


3. Ak je upínadlo umiestnené tak, ako je to uvedené na obrázku, musíte ho zatlačiť nadol, aby ste uvoľnili konvexný prvok.

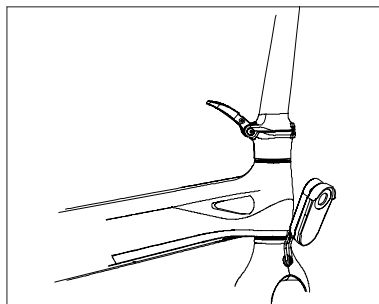


4. Ak je upevňovač v polohe uvedenej na obrázku, pokračujte v kroku 2) za účelom zablokovania rámu.

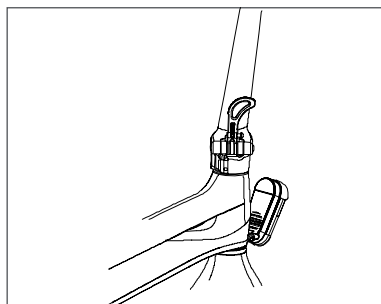
## Rozloženie tyče



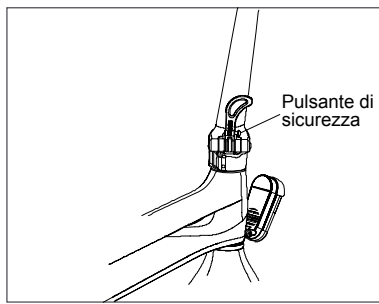
1. Podržte telo bicykla a otočte tyč priamo hore, aby ste zaistili bezproblémové pripojenie tyče k dolnej časti.



2. Dotiahnite sklápacie upínadlo priamo v smere tyče.



3. Tyčou mierne potrepote a overte, či je poistná spona celkom ohnutá.



4. Pri sklápaní tyče potrebujete stlačiť poistné tlačidlo a potom otvoriť sklápacie upínadlo.

## Montáž kormidla



1. Na uvoľnenie skrutky prednej tyče použite Allenov kľúč M4 a vyberte svorku.

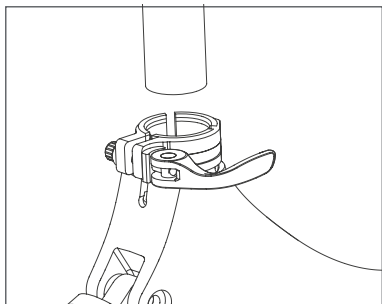


2. Opatrne umiestnite svorku na stred kormidla, potom utiahnite skrutky pomocou Allenovho kľúča M4.

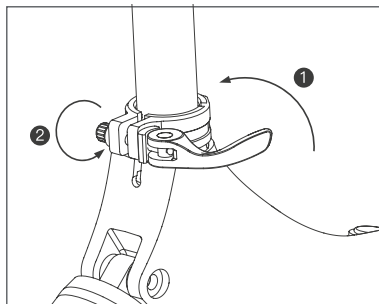


3. Pred jazdou overte dotiahnutie a správnu polohu kormidla.

## Montáž sedadlovej tyče

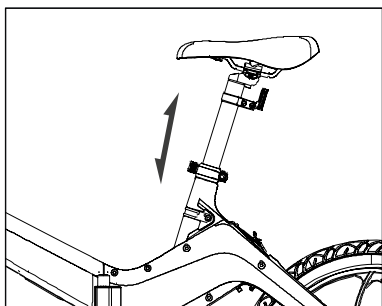


1. Uvoľnite upínač sedadlovej tyče, bicykel pevne pridržiujte a vložte sedadlovú tyč do rámu.

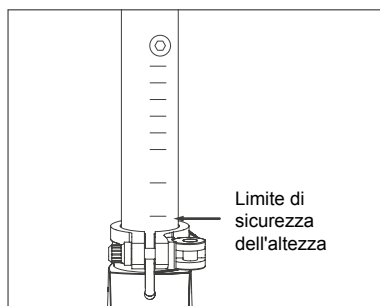


2. Nastavte skrutku, dotiahnite upínač, celkom zatlačte sedadlo, aby ste zaistili tesné zablokovanie sedadlovej tyče, ktorá sa nesmie otáčať ani pohybovať hore či dole.

## Nastavenie výšky sedadla



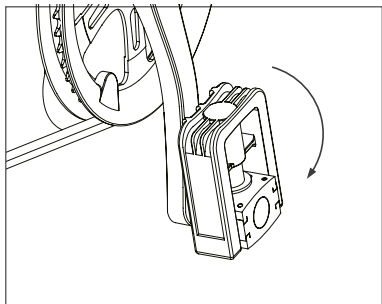
1. Keď potrebujete nastaviť výšku sedadla, najskôr uvoľnite upínadlo sedadlovej tyče, potom presuňte sedadlovú tyč do požadovanej výšky a utiahnite upínadlo sedadlovej tyče.



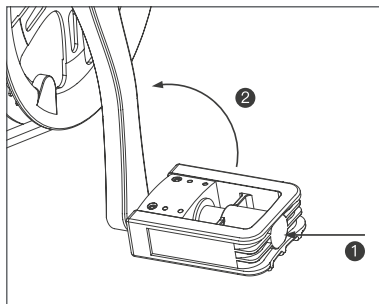
2. Výška sedadla nesmie prekračovať minimálnu medznú čiaru bezpečnej výšky.



## Rozloženie a sklopenie pedálov

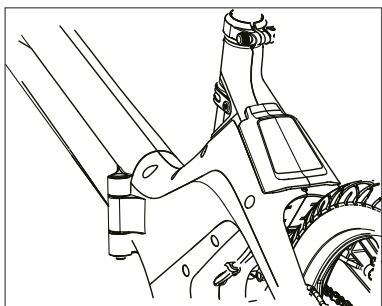


1. Podržte telo bicykla a rozložte pedále.



2. Zatiačte pedále proti kľuke a sklopte ich nahor.

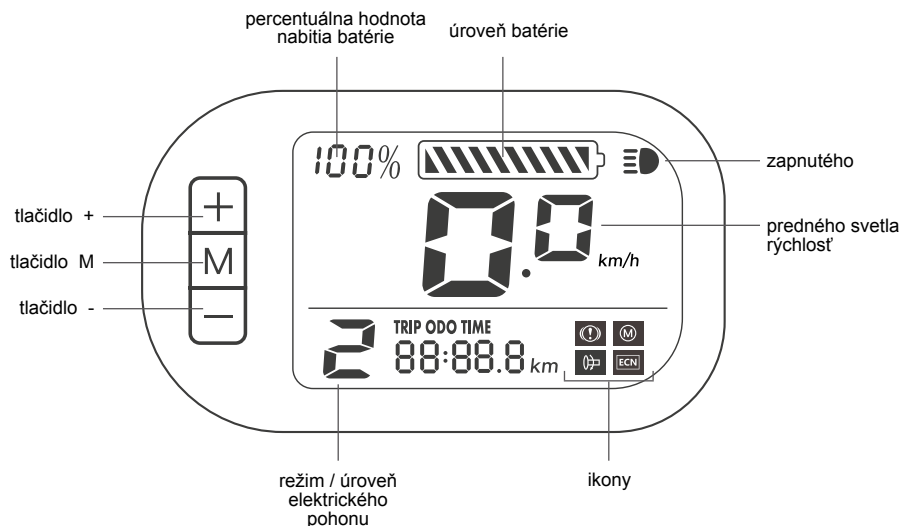
## Zapnutie



1. Pred prvou jazdou nabite batériu.

Poznámka: Po úplnom nabití zatvorte kryt zásuvky na nabíjanie, aby ste predišli vniknutiu vody.

## 8. LCD displej



### Funkcie tlačidiel:

**Tlačidlo M** : multifunkčné tlačidlo, dlhé stlačenie na dobu 3 sekúnd na zapnutie/vypnutie bicykla; krátke stlačenie na zapnutie displeja vzdialenosti jednej jazdy, celkovej vzdialenosti a času jazdy.

**Tlačidlo +** : dlhé stlačenie na dobu 3 sekúnd na zapnutie/vypnutie predného svetla.

**Tlačidlo +** : krátke stlačenie na zvýšenie režimu rýchlosti.


**Tlačidlo -** : krátke stlačenie na zníženie režimu rýchlosti.




Indikátor batérie je plný, keď je batéria bicykla na elektrický pohon úplne nabitá. Úroveň indikátora batérie počas používania bicykla na elektrický pohon postupne klesá. Úroveň indikátora nabitia batérie môže kolísať v závislosti od používania bicykla na elektrický pohon, napríklad ak jazdíte na svahu, indikátor úrovne nabitia batérie môže rýchle klesnúť, pretože bicykel spotrebúva oveľa viac nabitých energie.

**Na zaistenie optimálneho používania a údržby batérie ju odporúčame úplne nabiť po každom použití.**

## Význam ikon:

 Uvádza zapnutie predného svetla

 Uvádza prevádzku brzdy

 Uvádza, že ventil nefunguje alebo funguje nesprávne

 Uvádza, že motor nefunguje alebo funguje nesprávne

 Uvádza, že kontrolné zariadenie nefunguje alebo funguje nesprávne

## TRIP ODO TIME

88:88.8

Prepínač medzi vzdialenosťou jednej jazdy, celkovou vzdialenosťou a časom jazdy.

## 9. Pokyny pre nastavenia displeja

1. Na 3 sekundy stlačte naraz + a - za účelom rozhrania nastavenia P0.
2. Obnovte nastavenie zo závodu: Na cca 30 sekúnd v režime P0 stlačte +, čím automaticky opustíte režim nastavenia.



### 3. Prepínač km/míľa:

- A. Stlačte tlačidlo M a prepínač P0 na P1
- B. V režime P1 stlačte +/- na prepnutie možnosti medzi km/míľa 0=Km, 1=Míľa
- C. Na opustenie režimu nastavenia stlačte súčasne + a -. Alebo režim nastavenia opustite automaticky po uplynutí 15 sekúnd.



#### 4. Mierne nastavenie rýchlosti:

A. Stlačte tlačidlo M a prepínač P0 na P2

P2 môže nastavovať rýchlosť uvedenú na displeji iba mierne, nemôže meniť skutočnú rýchlosť.

B. Stlačte +/- na zmenu údajov. Správne nastavenie je 15,6 pre kolesá veľkosti 16-palcov, a 18,5 pre kolesá veľkosti 20-palcov. Čím vyššie sú údaje, tým vyššia je rýchlosť na displeji (nezmení sa skutočná rýchlosť).



## 10. Pokyny pre údržbu

**Všetky zákroky spojené s údržbou je treba vykonávať pri odpojenom systéme, odpojenej batérii a bicykli postavenom na stojane.**

Po každej bežnej údržbe odporúčame skontrolovať dokonalú funkciu všetkých ovládačov.

Tento návod nerozoberá podrobne demontáž a mimoriadnu údržbu, pretože tieto zákroky musí vždy vykonávať iba personál Služby podpory vášho autorizovaného predajcu Ducati Urban e-Mobility.

Služba podpory je schopná zabezpečiť všetky potrebné informácie a odpovedať na všetky požiadavky týkajúce sa dokonalej starostlivosti a údržby vášho bicykla na elektrický pohon.



### Kontrola so záporným výsledkom

- Ak záporný výsledok zistíte čo len pri jednej kontrole, **na bicykli na elektrický pohon nejazdíte.**
- Okamžite prijmite opatrenia vhodné na opravu a v prípade potreby kontaktujte Službu podpory u svojho predajcu.

### Umývanie

Čistenie bicykla na elektrický pohon nie je iba záležitosťou dobrých spôsobov, ale umožňuje tiež okamžite zistiť akékoľvek chyby na bicykli.

Aby nedošlo k poškodeniu ani zhoršeniu prevádzky rôznych komponentov, najmä na elektrických častiach, čistenie je treba vykonávať po prijatí určitých opatrení. Je prísne zakázané smerovať prúd stlačeného vzduchu na elektrické časti, motor, displej a batériu. Na ich čistenie odporúčame používať špongiu.

Pred zapnutím bicykla na elektrický pohon ho celkom vysušte handrou alebo papierom, a dbajte o to, aby ste nepoškrabali lakované komponenty. Vyhnite sa používaniu stlačeného vzduchu, najmä v blízkosti a pri vysokom tlaku. Overte neprítomnosť zvyšku vlhkosti na elektrických komponentoch.

### Mazanie reťaze

Reťaz je dôležité pravidelne mazať, aby sa zabránilo jej nadmernému opotrebovaniu a predĺžila sa jej životnosť.

1. Vyčistíte reťaz po celej dĺžke handrou.
2. Nasprejujte všetky oká reťaze špeciálnym mazacím sprejom určeným na prevodové reťaze.

## Kontrola dielov

Podporný rám bicykla na elektrický pohon a zvary musia byť bez viditeľných chýb ako sú praskliny, deformácie, zárezy, korózia, atď.

Uistite sa o správnom dotiahnutí všetkých skrutiek a pedálov bicykla na elektrický pohon.

Overte stav a pripojenie batérie, puzdrá elektrického kábla musia byť v dobrom stave, a svorky musia byť dobre dotiahnuté a bez korózie.

Overte stav nabitia batérie pomocou indikátora na displeji kormidla.

Pre správne použitie batérie vo vašom bicykli na elektrický pohon (EPAC) odporúčame nabiť batériu vždy po každom použití bicykla.

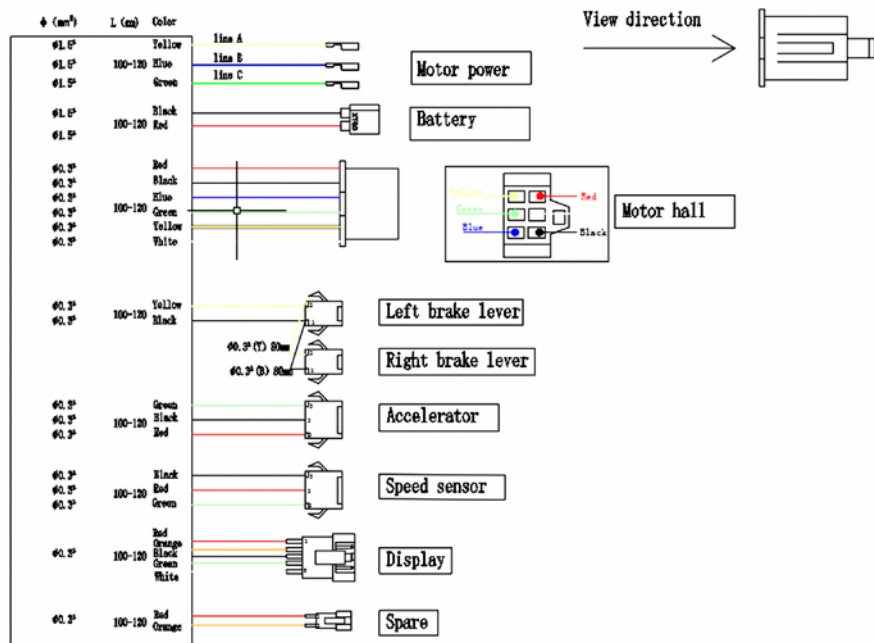
Použitím nafukovacieho ventilu na ráfikoch overte tlak nahustenia pneumatík pomocou kompresora a tlakomeru alebo čerpadla dielne.

Overte stav dezénu, ráfik a pripojenie ráfikov k nábojom. V prípade potreby vymeniť pneumatiky kontaktujte Službu podpory alebo kvalifikovaného predajcu pneumatík.

Brzdy musia byť nastavené tak, aby zaisťovali účinné brzdenie. Rovnako aj ovládacie páky musia mať dostatočný rozsah pre moduláciu brzdenia: inými slovami, brzdy nesmú byť ani príliš uvoľnené, ani príliš pritiažené.





# 11. Schéma zapojení

## 250W Controller





## 12. Riešenie problémov

Indikátor na displeji	Dôvody	Riešenia
Brzda 	Uvádza aktiváciu brzdy	/
	Brzdová páka sa nevráti do normálnej polohy	Stlačte brzdovú páku niekoľkokrát, aby sa vrátila do normálnej polohy. Vymeňte za novú brzdovú páku
	Bez akcelerátora	/
Chyba akcelerátora 	Kábel akcelerátora, akcelerátor alebo konektor je poškodený/pokazený	Vymeňte za nový kábel, akcelerátor
	Konektory medzi akcelerátorom a kontrolným zariadením nie sú správne zapojené	Správne pripojte
Chyba motora 	Motor nefunguje	Vymeňte za nový motor
	Káble alebo konektory sú pokazené/poškodené	Vymeňte za nový kábel
	Kábel uloženia motora nie je dobre pripojený alebo je pripojený nesprávne	Správne pripojte
Chyba kontrolného zariadenia 	Kontrolné zariadenie je pokazené	Vymeňte za nové kontrolné zariadenie

## 13. Batéria (Výstrahy)

### Indikátor batérie

Indikátor batérie je plný, keď je batéria bicykla na elektrický pohon úplne nabitá. Úroveň indikátora batérie počas používania bicykla na elektrický pohon postupne klesá. Úroveň indikátora nabitia batérie môže kolísať v závislosti od používania bicykla na elektrický pohon, napríklad ak jazdíte na svahu, indikátor úrovne nabitia batérie môže rýchle klesnúť, pretože bicykel spotrebúva oveľa viac nabitaj energie.

Na zaistenie optimálneho používania a údržby batérie ju odporúčame úplne nabiť po každom použití.

Uistite sa o suchom stave bicykla na elektrický pohon, nabíjačky a zásuvky na nabíjanie.

Keď je bicykel na elektrický pohon celkom nabitý, kontrolka na nabíjačke zmení farbu z červenej (nabíjanie) na zelenú (úplné nabitie).

Používajte iba originálnu nabíjačku. Iné nabíjačky môžu batériu poškodiť a vystaviť ju iným potenciálnym rizikám.

Bicykel na elektrický pohon nesmie byť nabíjaný dlhodobo. Nadmerné nabíjanie skracuje životnosť batérie a môže spôsobiť iné potenciálne riziká.

Nabíjajte bicykel na elektrický pohon v suchom prostredí mimo horľavých materiálov (napr. materiály, ktoré môžu vybuchnúť alebo sa vznietiť), najlepšie pri vnútornej teplote 15-25°C, avšak nikdy pod 0°C alebo nad + 45°C.

Nenabíjajte batériu pod priamym slnečným svetlom ani v blízkosti ohňa.

Nenabíjajte bicykel na elektrický pohon ihneď po použití. Skôr ako začnete bicykel na elektrický motor nabíjať, nechajte ho asi jednu hodinu vychladnúť.

Nikdy nenechávajte bicykel na elektrický pohon bez dohľadu počas nabíjania. Tepelné riziko! Nikdy nepripájajte nabíjaciu zásuvku jednosmerného prúdu ku kovovým predmetom.

Na zaistenie životnosti a správnej manipulácie s batériou si prečítajte vyššie uvedené pokyny týkajúce sa nabíjania a skladovania. Udržujte bicykel na elektrický pohon ďaleko od otvorených plameňov alebo iných zdrojov tepla, aby ste predišli prehriatiu batérie. Nenechávajte bicykel na elektrický pohon vystavený mrazu. Nadmerný chlad aj teplo môžu batériu vybiť.

Vyhňte sa úplnému vybitiu batérie.

Najlepšie je batériu znovu nabiť, keď ešte nie je celkom vybitá. Predlžuje to jej životnosť. Keď je nabitie príliš nízke, jazda obvyklým spôsobom nie je možná. Nízky stav nabitia batérie môže viesť k strate kontroly jazdca alebo pádu.

Uistite sa o pravidelnom nabíjaní batérie, aj keď bicykel na elektrický pohon nepoužívate dlhšiu dobu. Predchádza to poškodeniu batérie spôsobenému nízkym napätím počas dlhšieho obdobia.

### **Opatrenia týkajúce sa batérie:**

Batéria je vyrobená z lítium-iónových článkov a chemických prvkov, ktoré sú nebezpečné pre zdravie a životné prostredie. Nepoužívajte bicykel na elektrický pohon v prípade, že produkuje zápach, látky alebo je mimoriadne horúci. Nelikvidujte bicykel na elektrický pohon ani batériu spolu s domovým odpadom. Konečný používateľ je zodpovedný za zneškodnenie elektrického a elektronického vybavenia a batérií v súlade so všetkými platnými nariadeniami.

### **Čomu sa treba vyhnúť:**

Otváraniu alebo rozoberaniu batérie, jej narážaniu, hádzaniu, prepichovaniu, alebo nalepovaniu predmetov na ňu. Dotýkaniu sa akýchkoľvek látok unikajúcich z batérie, pretože ide o nebezpečné látky. Umožneniu deťom alebo zvieratám dotýkať sa batérie.

Nadmernému nabíjaniu, nadmernému vybitiu alebo skratu batérie. Ponáranie alebo vystaveniu batérie vode či iným kvapalinám. Vystaveniu batérie nadmernému teplu alebo chladu.

Vystaveniu batérie prostrediam s obsahom výbušných plynov a plameňov.

Ponechaniu batérie na daždi alebo účinkom priameho slnečného svetla v rozpálenom aute.

Opätovnej montáži alebo konečnej úprave batérie.

Noseniu alebo skladovaniu batérie spolu s kovovými predmetmi ako sú spony do vlasov, náhrdelníky, atď. Jazde bicykla na elektrický pohon počas nabíjania batérie.

Používaniu iných ako originálnych nabíjačiek.

## 14. Technické špecifikácie

### Všeobecné informácie

Pneumatiky	20 "X 2.125" s odrazovou páskou
Ráfiky	horčík, 6 lúčov
Brzdy	mechanický kotúč
Prehadzovač	SHIMANO 6 prevodov
Vídlica	magnesio
Reťazová súprava	reťazové koleso 44T - 6 pastorkov (14-15-18-21-24-28T)
Pedále	plastové, opätovne uzatvárateľné
Rám	horčík, skladací
Max rýchlosť	25 km/h
Sedadlo	pohodlný model
Sedadlová rúra	hliník
Kormidlo	hliník, skladacia
Rúčky	guma
Blatník	plast
Stojan na bicykel	zadný, bočný model
Zadný nosič	nezahrnutý
Max záťaž	110kg

### Elektrický systém

Svetlá	Predná kontrolka
Displej	LCD s úrovňami pomoci, svetlá O / OFF, počítadlo ubehnutých kilometrov s príslušnými funkciami
Motor	36V, 250W, IP54, zadný
Batéria	SAMSUNG 36V, 10.5Ah, 378Wh začlenený do rámu a vyberateľný
Nabíjačka	vstup: 100-240V, 50-60Hz ,2.5A / výstup: 42V, 2.0A
Čas nabíjania	4/5 hodín
Autonómia	do 50 km, táto hodnota závisí od: úrovne použitej výpomoci, hmotnosti cyklistu, svalovej sily použitej pri pedáľovaní, tlaku pneumatík, svahu cesty, počtu zastávok a rozbehov

### Rozmery a hmotnosti

Hmotnosť batérie	2.06kg
Hmotnosť bez batérie	18.47kg
Celk. hmotnosť	20.53kg
Rozmery E-bicykla	1510 x 580 x 1070mm
Rozmery balíka	830 x 420 x 620mm



### **Povolená rýchlosť**

Zákonom stanovená maximálna povolená rýchlosť je 25 km/ hod.

Akékoľvek zákroky neschválené výrobcom vykonané na riadiacej jednotke budú znamenať, že výrobca sa nesmie považovať za subjekt zodpovedný za akékoľvek škody spôsobené na osobách a/alebo veciach; zároveň bude zrušená záruka na zakúpený výrobok.

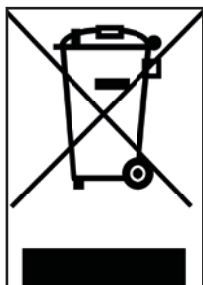


### **Riziko poranenia**

Udržujte rýchlosť a jazdite primerane k vašim schopnostiam, nikdy nepoužívajte bicykel na elektrický pohon pri rýchlosti nad 25 km/hod., nakoľko by ste mohli spôsobiť vážne škody a zranenia sebe či iným osobám.



**Zneškodnenie elektrických alebo elektronických zariadení na konci ich životnosti (platí vo všetkých krajinách Európskej únie a v iných európskych systémoch so separovaným zberom)**



Tento symbol na výrobku alebo obale uvádza, že výrobok sa nesmie považovať za bežný domový odpad, ale treba ho odnieŤ do príslušného zberného strediska na recykláciu elektrických a elektronických zariadení (OEEZ).

Zaistením správneho zneškodnenia tohto výrobku pomôžete predchádzať potenciálnym negatívnym následkom na životné prostredie a ľudské zdravie, ktoré by inak boli spôsobené nevhodným zneškodnením. Recyklácia materiálov pomáha zachovávať prírodné zdroje.

Pre bližšie informácie o recyklácii tohto výrobku môžete kontaktovať miestnu firmu na odvoz a likvidáciu odpadu alebo predajňu, kde ste ho zakúpili.

V každom prípade je nevyhnutné likvidovať výrobok v súlade s nariadeniami platnými v krajine zakúpenia.

Spotrebitelia nesmú zneškodňovať OEEZ ako komunálny odpad, naopak musia zneškodniť tento typ odpadu separovane, dvoma možnými spôsobmi:

1) V zberných centrách obce, priamo alebo prostredníctvom zbernej služby spoločností obce tam, kde sú tieto služby dostupné.

2) Pri predaji v predajni zakúpením nového elektrického a elektronického zariadenia.

V predajniach môže byť veľmi malý OEEZ (s najdlhšou stranou menej než 25 cm) ponechaný zadarmo, pri väčších zariadeniach je možné ho ponechať za výmenu iného zariadenia, tzn., že starý výrobok môžete ponechať v predajni, ak si kúpite nový s rovnakou funkciou.

V prípade nelegálneho zneškodnenia elektrického alebo elektronického zariadenia platia pokuty v súlade s platnými nariadeniami týkajúcimi sa ochrany životného prostredia (platí iba v Taliansku).

Ak OEEZ obsahuje batérie alebo akumulátory, je treba ich odstrániť a zneškodniť prostredníctvom špecifického zberu triedeného odpadu.



## Zneškodnenie vybitých batérií (platí vo všetkých krajinách Európskej únie a v iných európskych systémoch so separovaným zberom)



Tento symbol na výrobku alebo obale uvádza, že batéria nesmie byť považovaná za bežný domáci odpad. Na niektorých typoch batérie sa tento symbol môže používať v kombinácii s chemickým symbolom.

Chemické symboly pre ortuť (Hg) alebo olovo (Pb) sú pridané v prípade, ak batéria obsahuje viac ako 0,0005% ortuti alebo 0,004% olova.

Zaistením správneho zneškodnenia batérie pomôžete predchádzať potenciálnym negatívnym následkom na životné prostredie a ľudské zdravie, ktoré by inak boli spôsobené nevhodným manipulovaním odpadu. Recyklácia materiálov pomáha zachovávať prírodné zdroje. Čo sa týka bezpečnosti, výkonu alebo dôvodov ochrany údajov, výrobky si vyžadujú pevné pripojenie k vnútornej batérii/článku, ktorú/ktorý musí vymieňať iba kvalifikovaný personál servisu.

Na konci životnosti odovzdajte výrobok do zberného centra určeného na zneškodnenie elektrických a elektronických zariadení, to zaisť aj správne zneškodnenie vnútornej batérie.

Pre bližšie informácie o zneškodnení vybitej batérie alebo výrobku môžete kontaktovať miestnu firmu na odvoz a likvidáciu odpadu alebo predajňu, kde ste ho zakúpili.

V každom prípade je nevyhnutné likvidovať výrobok v súlade s nariadeniami platnými v krajine zakúpenia.

## 15. Záručné podmienky

Všetky výrobky sú kryté „Zákonnou zárukou zhody výrobku“ v súlade so smernicou 2011/83/EÚ.

Zákonná záruka je vyhradená pre spotrebiteľov. Aplikuje sa preto iba na používateľov, ktorí uskutočnili kúpu za účelom nesúvisiacim s vykonávaním žiadnych podnikateľských, obchodných, remeselníckych ani profesionálnych činností.

Pre tých, ktorí si zakúpili výrobky a nepôsobia ako spotrebiteľia, záruka na chyby predávaných vecí, záruka na nesúlad so sľúbenou a základnou kvalitou a iné záruky poskytované občianskym zákonníkom za príslušných podmienok, prepadáva a budú aplikované obmedzenia.

Predávajúca strana (a preto s ohľadom na kúpu výrobkov, maloobchodníka, ktorý predal výrobok používateľovi) je zodpovedná voči spotrebiteľovi za akýkoľvek nesúlad existujúci v čase doručenia výrobku a ktorý sa môže vyskytnúť do dvoch rokov od dátumu vyššie uvedeného doručenia. Nesúlad musí byť uvedený predajcovi do dvoch mesiacov od dátumu, kedy bol zistený, inak hrozí sankcia za prepadnutie záruky.

Pokiaľ sa nepreukáže inak, predpokladá sa, že nesúlad zistený do šiestich mesiacov od doručenia výrobku už existoval v danom dátume, pokiaľ tento predpoklad nie je zlučiteľný s povahou výrobku alebo povahou nesúladu. Od siedmeho mesiaca po doručení výrobku musí spotrebiteľ dokázať, že nesúlad už existoval pri jeho dodaní.

Aby bolo možné využiť výhody zákonnej záruky, kupujúca strana musí najskôr poskytnúť dôkaz o dni zakúpenia a doručenia tovaru. Preto kupujúcej strane odporúčame uschovať si všetku dokumentáciu, ktorá môže potvrdiť deň zakúpenia a doručenia (napríklad: pokladničný doklad, faktúru, potvrdenie objednávky, e-mail).

Akékoľvek chyby alebo poruchy prevádzky spôsobené náhodnými udalosťami a/alebo pripísateľné zodpovednosti kupujúcej strany alebo používaniu výrobku, ktoré je v rozpore so zamýšľaným používaním a/alebo používaním uvedeným v technickej dokumentácii priloženej k výrobku, alebo z dôvodu zlyhania pri nastavovaní mechanických častí, prirodzeného opotrebovania a roztrhnutia ľahko opotrebovateľných materiálov alebo spôsobených chybami montáže, nedostatkom údržby a/alebo ich použitím v rozpore s pokynmi

Napríklad nasledujúce pokyny je treba považovať za vylúčené zo zákonnej záruky týkajúcej sa výrobkov:

- škody spôsobené nárazom, náhodným pádom alebo kolíziou, bodnutím;
- škody spôsobené používaním, vystavovaním alebo skladovaním v nevhodnom prostredí (napr. výskyt dažďa a/alebo blata, vlhkosť alebo nadmerné teplo, kontakt s pieskom alebo inými látkami);
- škody spôsobené chybou nastavenia z dôvodu „uviedenia na cestu“ a/alebo údržbou mechanických častí (mechanický brzdový kotúč, kormidlo, pneumatiky, atď.);



- nesprávna inštalácia a/alebo nesprávna montáž dielov či komponentov, okrem situácie, kedy bola inštalácia a/alebo montáž vykonaná predajcom alebo na jeho zodpovednosť a/alebo boli vykonané spotrebiteľom, avšak chybu inštalácie a/alebo montáže je možné pripísať nesúladu s inštaláčnymi pokynmi;
- prirodzené opotrebovanie a roztrhnutie opotrebovateľných materiálov: (napr. brzdové doštičky, brzdové strmene, brzdové kotúče, káble), pneumatiky, stupienky, objímky, ložiská, kontrolky a žiarovky, stojan na bicykel, kľuky, blatníky, gumové časti (stupienky) konektory káblov, mriežky a nálepky, atď.;
- nevhodná údržba a/alebo nevhodné používanie batérie výrobku;
- zasahovanie a/alebo silenie dielov výrobku;
- nesprávna alebo nevhodná údržba alebo úprava výrobku;
- nevhodné používanie výrobku (napr. nadmerné zaťaženie, používanie v pretekoch a/alebo na obchodné činnosti alebo prenájom);
- údržba, oprava a/alebo technické zásahy na výrobku vykonávané nepovolenými tretími stranami;
- poškodenie výrobkov vyplývajúce z prepravy, ak je vykonávaná kupujúcou stranou;
- poškodenie a/alebo chyby vyplývajúce z používania neoriginálnych dielov.

V prípade, že zakúpený výrobok počas platného obdobia zákonnej záruky preukáže to, čo sa môže považovať za nesúlad, kupujúca strana musí kontaktovať predajcu; predajca okamžite odpovie na oznámenie uplatneného nesúladu, s uvedením špecifického postupu, ktorý je treba dodržať, tiež berúc do úvahy kategóriu, do ktorej výrobok patrí a/alebo uvedenú chybu.



## Vyhľadzenie o zhode

M.T. Distribution S.r.l.

Adresa: Via Bargellino 10, 40112 Calderara di Reno (BO), Taliansko

Toto vyhlázenie o zhode je vydané na vlastnú zodpovednosť výrobcu

Značka výrobku	Ducati
Model výrobku	MG-20
Opis výrobku	Bicykel na elektrický pohon
Klasifikácia	Výrobok: DC 36V, 250W

je v súlade s požiadavkami smerníc Rady týkajúcich sa aproximácie zákonov členských štátov týkajúcich sa

smernice Európskeho parlamentu a Rady 2014/30/EÚ o elektromagnetickej kompatibilite, smernice 2006/42/ES o strojových zariadeniach

Normy použité pri testovaní:

EN 15194: 2017

EN 55014-1: 2017

EN 61000-3-2: 2014

EN 61000-3-3: 2013

EN 55014-2: 2015

Názov továrne: ONEBOT CYCLES Sp.zo.o

Adresa továrne: Prologis Park Wrocław 1, budova DC 1 A, Magazynowa 1, 55-040 Bielany Wroclawskie, Poľsko

Dátum: 7. 1. 2020

Technický súbor dostupný v sídle EÚ

Miesto colného vyhlázenia: Boloňa, Taliansko

Meno a priezvisko: Alessandro Summa

Funkcia: Generálny riaditeľ

MT DISTRIBUTION S.R.L

Via Bargellino 10, 40112, Calderara di Reno (BO), Taliansko

Poverená osoba: Alessandro Summa

Funkcia: Generálny riaditeľ

### POZNÁMKA:

Toto vyhlázenie o zhode sa aplikuje iba na bicykel na elektrický pohon predávaný v krajinách, ktoré dodržiavajú smernice týkajúce sa označenia CE.

Alessandro Summa

M.T. DISTRIBUTION SRL  
Via Bargellino, 10 b/c  
40012 CALDERARA DI RENO (BO)  
FIRM FIRM: 01119840377  
NOME COGNOME: ALESSANDRO SUMMA  
TIMBRO AZIENDALE

# **MG-20**

e-bike dobrável

## Manual de utilização e manutenção

Antes de utilizar a bicicleta, tem de estar devidamente e corretamente montada e verificada em todas as suas peças. Quaisquer danos de montagem ou manutenção incorreta não estão cobertos pela garantia.

Para obter mais informações, apoio técnico e assistência, entre em contacto com o seu concessionário ou visite o site [www.ducatiurbanemobility.com](http://www.ducatiurbanemobility.com)

1. Prefácio
2. Aviso de segurança
3. Lista de embalagem
4. Descrição da bicicleta (BEPA)
5. Levantamento e carregamento
6. Arranque
7. Início rápido
8. Visor LCD
9. Instruções de configuração do visor
10. Instruções de manutenção
11. Diagrama de conexões
12. Resolução de problemas
13. Bateria (avisos)
14. Especificações técnicas
15. Termos de garantia

# 1. Prefácio

## Visão geral

**Este manual é parte integrante e essencial da bicicleta com pedalagem assistida (BEPA) e deve ser fornecido ao utilizador.**

Antes da primeira utilização da bicicleta, é essencial que os utilizadores leiam, entendam e cumpram rigorosamente as seguintes disposições.

O fabricante não se responsabiliza por danos pessoais e/ou materiais ou na bicicleta com pedalagem assistida se for utilizada incorretamente, de uma forma que não esteja de acordo com as instruções fornecidas.

Tendo em vista o constante desenvolvimento tecnológico, o fabricante reserva-se o direito de efetuar modificações na bicicleta com pedalagem assistida (BEPA) sem prévio aviso, sem que este manual seja atualizado automaticamente.

Recomendamos visitar o site [www.ducatiurbanemobility.com](http://www.ducatiurbanemobility.com) onde quaisquer atualizações ou alterações neste manual serão carregadas.

## Serviço de assistência

Em caso de problemas ou pedidos de esclarecimento, não hesite em contactar o Serviço de Assistência do seu concessionário autorizado Ducati Urban e-Mobility, o qual poderá disponibilizar pessoal qualificado e especializado, equipamento específico e peças sobressalentes originais.

## Forma gráfica de avisos de segurança

Os seguintes símbolos gráficos serão utilizados para identificar as mensagens de segurança neste manual. Têm como função atrair a atenção do leitor/utilizador para garantir a utilização correta e segura da bicicleta com pedalagem assistida.



## Preste atenção

Destaca regras de conduta a serem cumpridas de forma a evitar danos à bicicleta com pedalagem assistida e/ou a ocorrência de situações de perigo.



## Riscos residuais

Isto realça a presença de perigos que causam riscos residuais aos quais o utilizador deve prestar atenção para evitar ferimentos ou danos à propriedade.

## Nota legal sobre a utilização

Respeite sempre o código de trânsito e as regras e regulamentos relativos ao trânsito aplicáveis aos ciclistas no país de circulação.

## 2. Aviso de segurança

### Regras gerais de segurança



#### Utilização da bicicleta com pedalagem assistida

Cada utilizador deve ler este manual de utilização e manutenção antes de utilizar a bicicleta pela primeira vez; em particular o capítulo sobre instruções de segurança.



#### Riscos associados à utilização da bicicleta com pedalagem assistida

Apesar da utilização de dispositivos de segurança, para garantir a utilização segura da bicicleta com pedalagem assistida, deve tomar nota de todas as instruções de prevenção de acidentes deste manual.

Mantenha sempre o foco ao andar de bicicleta e não subestime os riscos residuais associados à utilização da bicicleta com pedalagem assistida.

Mesmo que a utilização da bicicleta com pedalagem assistida já lhe seja familiar, deve seguir as instruções aqui fornecidas, bem como os cuidados gerais a serem observados ao andar de bicicleta motorizada.

#### Responsabilidade

O Utilizador deve utilizar a bicicleta com pedalagem assistida com a máxima diligência e em total conformidade com o código de trânsito e todas as regulamentações relevantes da bicicleta em vigor no país de circulação.

O Utilizador também deve manter a bicicleta com pedalagem assistida limpa e perfeitamente eficiente e mantida, realizar diligentemente as verificações de segurança que são de sua competência, conforme descrito na secção de avisos e recomendações, bem como manter toda a documentação relativa à manutenção da bicicleta com pedalagem assistida.

O Utilizador deve avaliar cuidadosamente as condições atmosféricas que podem tornar perigosa a utilização da bicicleta com pedalagem assistida. Para este fim, recomendamos moderar a velocidade e manter uma distância de travagem adequada no caso de andar em condições meteorológicas adversas e/ou trânsito intenso.

## **Avisos para utilizadores**

- É proibido andar com um passageiro.
- Não consuma álcool ou drogas antes de andar de bicicleta com pedalagem assistida.
- Este modelo de bicicleta com pedalagem assistida é desenhado e fabricado para ser utilizado no exterior, em vias públicas ou ciclovias.
- Não tente forçar a bicicleta com pedalagem assistida a ter um desempenho superior àquele para o qual foi concebida.
- Nunca ande na bicicleta com pedalagem assistida com as peças removidas.
- Evite superfícies irregulares e obstáculos.
- Conduza com as duas mãos no guiador.
- Substitua as peças gastas e/ou danificadas, verifique se as proteções estão a funcionar corretamente antes de utilizar.

## **Notas sobre a manutenção**

Todas as operações de manutenção devem ser feitas com a bateria desconectada.

Durante cada fase de manutenção, os operadores devem estar equipados com os equipamentos de prevenção de acidentes necessários.

As ferramentas utilizadas para a manutenção devem ser adequadas e de boa qualidade.

Não use gasolina ou solventes inflamáveis, como detergentes, pelo contrário, use sempre solventes não inflamáveis e não tóxicos.

Limite, ao tanto quanto possível, a utilização de ar comprimido (máx. 2 bar) e proteja-se com óculos de proteção com palas laterais.

Nunca utilize uma chama solta como meio de iluminação ao proceder com as operações de verificação ou manutenção.

Após qualquer procedimento de manutenção ou ajuste, certifique-se de que nenhuma ferramenta ou corpo estranho permaneça entre as peças da bicicleta em movimento com pedalagem assistida.



## **Peças sobressalentes originais**

Utilize apenas peças sobressalentes Ducati Urban e-Mobility originais.

O fabricante não deve ser responsabilizado por danos ou perda de funcionalidade causados pela utilização de acessórios e peças não originais.

## Outras provisões

A primeira coisa a fazer ao começar a utilizar a bicicleta é verificar a presença e integridade dos protetores e o funcionamento dos dispositivos de segurança.

Se encontrar algum defeito, não utilize a bicicleta com pedalagem assistida!



## Protetores

Por conseguinte, é terminantemente proibido modificar ou remover a bateria e os protetores da corrente etc., bem como as placas de aviso e de identificação.

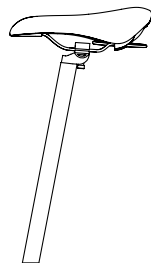
## Armazenamento em armazém

No caso da bicicleta com pedalagem assistida precisar de ser armazenada por longos períodos de inatividade, devem ser realizadas as seguintes operações:

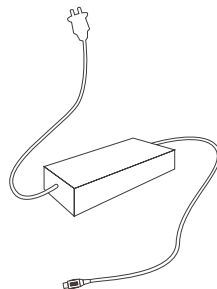
- Repare-a em local seco e bem ventilado.
- Faça a limpeza geral da bicicleta com pedalagem assistida.
- Remova a bateria da sua sede.
- Deixe a bicicleta no descanso.
- Proteja os contactos elétricos expostos com produtos antioxidantes.
- Lubrifique todas as superfícies não protegidas por tintas ou tratamentos anticorrosão.



### 3. Lista de embalagem



- Corpo do quadro da bicicleta
- Selim + espigão
- Carregador
- Luz refletora traseira
- Chave sextavada (4 mm)
- Guarda-lamas dianteiro
- Guarda-lamas traseiro
- 2 chaves de bloqueio de bateria



## 4. Descrição da bicicleta (BEPA)



1. Selim
2. Dobra do quadro da bicicleta
3. Dobra do avanço
4. Fecho de segurança
5. Guiador
6. Alavanca de travão
7. Luz dianteira
8. Forqueta dianteira
9. Travão de disco
10. Guarda-lamas dianteiro (a ser montado, fornecido na caixa)
11. Roda de corrente
12. Roda de proteção da roda de corrente
13. Roda de suporte
14. Pedal
15. Descanso
16. Desviador traseiro
17. Motor
18. Guarda-lamas traseiro (a ser montado, fornecido na caixa)
19. Braçadeira do espigão de selim
20. Espigão de selim
21. Luz refletora traseira (a ser montada, fornecida na caixa)
22. Número de série

## **Termos de utilização**

A bicicleta com pedalagem assistida foi concebida e fabricada para andar no exterior, em vias públicas e ciclovias, mas sempre em piso asfaltado.

Qualquer modificação do estado de fabrico pode comprometer a segurança e a estabilidade da bicicleta com pedalagem assistida e causar um acidente.

Outros tipos de utilização, ou utilização além do âmbito da utilização pretendida, não correspondem à utilização pretendida pelo fabricante e, por conseguinte, o fabricante já não pode ser responsabilizado por quaisquer danos resultantes.

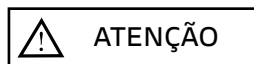
A vida da bateria e, por isso, a quilometragem estimada em km, pode variar consideravelmente dependendo do tipo de utilização e de influências externas; considere os seguintes fatores particularmente influentes: peso do utilizador, frequência da pedalagem, nível de assistência selecionado no visor, velocidade média, espessura e desgaste do piso do pneu, declive e superfície da estrada, condições meteorológicas.

## **Ambiente de utilização**

A bicicleta com pedalagem assistida pode ser utilizada no exterior, na ausência de condições meteorológicas adversas (chuva, granizo, neve, vento forte etc.).

Temperatura máxima permitida: + 40 °C Temperatura mínima permitida: 0 °C Humidade máxima permitida: 80%

O ambiente de utilização deve ter uma superfície plana, compacta e asfaltada livre de rugosidade, buracos ou depressões, e livre de obstáculos e manchas de óleo. Além disso, o local de utilização deve ser iluminado, quer pelo sol, quer por luzes artificiais, de forma a garantir a correta visibilidade do percurso e dos comandos da bicicleta com pedalagem assistida (recomendado 300 a 500 lux).



## **Ambientes de utilização proibidos**

A bicicleta com pedalagem assistida não deve ser utilizada:

em áreas sujeitas a riscos de incêndio ou explosão; em ambientes com atmosfera corrosiva e/ou quimicamente ativa; em ambientes mal iluminados; em terrenos com declive superior a 10%; em terreno irregular e não pavimentado

## Utilizações impróprias e contraindicações

As ações descritas abaixo, as quais obviamente não podem cobrir toda a gama de possibilidades potenciais de "má utilização" da bicicleta com pedalagem assistida, devem ser consideradas absolutamente proibidas.



### Operações proibidas

A execução de operações proibidas invalida a garantia.

O fabricante declina qualquer responsabilidade por quaisquer danos a pessoas e coisas decorrentes da execução de operações proibidas.



### É estritamente proibido:

Andar na sua bicicleta com pedalagem assistida para outros fins que não aqueles para os quais foi fabricada, ou seja, para transportar passageiros.

Andar na sua bicicleta com pedalagem assistida em áreas onde haja perigo de explosões.

Andar na sua bicicleta com pedalagem assistida em condições meteorológicas adversas (chuva torrencial, granizo, neve, vento forte etc.).

Transportar um passageiro.

Andar na sua bicicleta com pedalagem assistida sob a influência de álcool ou drogas.

Andar na sua bicicleta com pedalagem assistida se o seu peso for maior do que o permitido. Carregar a bateria num ambiente muito quente ou com ventilação insuficiente.

Cobrir a bateria enquanto ela estiver a carregar.

Fumar ou usar chamas soltas perto da área de carregamento.

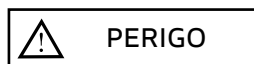
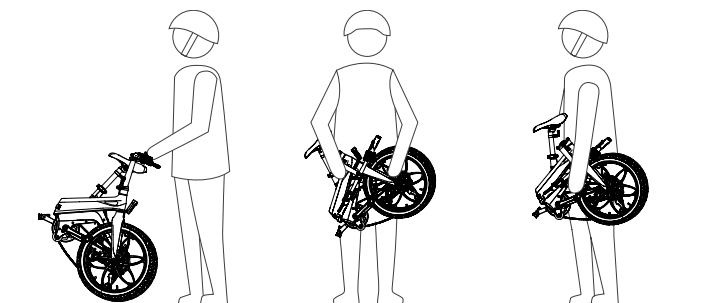
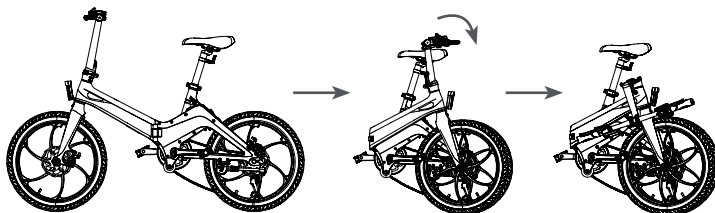
Percorrer ou parar em superfícies com declive superior a 10% ou em superfícies irregulares (não pavimentadas, com buracos, depressões, obstáculos etc.).

Fazer qualquer manutenção com a bateria conectada. Utilizar peças sobressalentes não originais.

Inserir os membros ou dedos entre as peças da bicicleta em movimento.

É absolutamente proibido elevar o espigão além do limite de 10 cm para evitar fraturas no quadro.

## 5. Passear e transportar



### Esmagamento e impacto

Durante o levantamento, é necessário operar com extremo cuidado para evitar danos pessoais e materiais.

O fabricante não se responsabiliza por quebras devido ao levantamento e/ou transporte da bicicleta com pedalagem assistida após a entrega.

O peso da bicicleta com pedalagem assistida é de cerca de 21 kg, sendo recomendado o seu levantamento por dois adultos.

### Transporte

Para garantir um alto nível de segurança durante o transporte em carrinhas, é necessário evitar que a bicicleta com pedalagem assistida se movimente. Isso é feito colocando-a no descanso e amarrando-a com tiras ou cabos de ancoragem em boas condições.

A este respeito, os dispositivos de fixação devem ser instalados de forma que não danifiquem o quadro e outras partes da bicicleta.

## 6. Arranque

### Carregamento da bateria

Antes de utilizar a bicicleta pela primeira vez, é necessário carregar a bateria por pelo menos 4-6 horas, até que a carga esteja completa, utilizando o carregador de bateria fornecido.

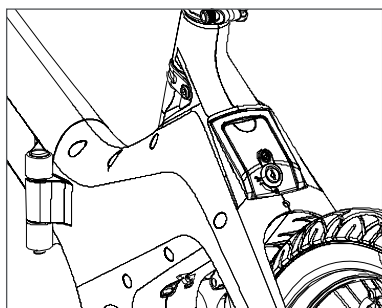
A bicicleta é alimentada por uma bateria de íon-lítio 36 V.

O tempo médio de carregamento é de cerca de 4-6 horas. As baterias são do tipo lítio.

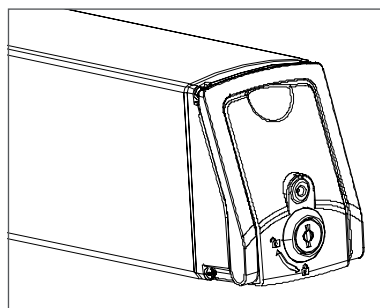
Para prolongar ao máximo a vida útil da bateria, recomenda-se uma carga completa a cada trinta dias, mesmo se a bicicleta não for utilizada.

Recomendamos o carregamento da bateria com o seu carregador de bateria especial após cada utilização da bicicleta com pedalagem assistida.

**Durante o carregamento, a luz vermelha no carregador acende, quando o carregamento estiver concluído, a luz vermelha apaga e a luz verde acende.**

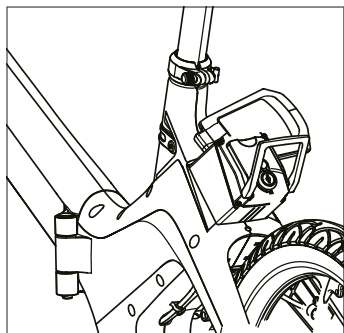


Opção um de carregamento: abra a tampa de borracha na porta de carregamento e carregue.

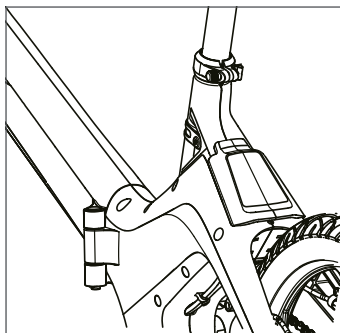


Opção dois de carregamento: retire a bateria e carregue-a sem ter que mover a bicicleta.

## Desinstalar e instalar a bateria



1. Desligue o veículo, destrave a bateria e puxe a caixa da bateria com a alça de levantamento, conforme mostrado na imagem.



2. Ao instalar a bateria, trave a bateria com a chave e retire a chave, pressione a alça da bateria para que fique plana e desdobre o quadro da bicicleta.



### Precauções durante o carregamento

Conecte sempre a ficha à bateria e, em seguida, a ficha de energia à rede elétrica.

Quando a recarga estiver concluída, desconecte sempre a ficha da rede elétrica primeiro e, em seguida, a ficha da bateria.

Carregue sempre a bateria totalmente. Utilize sempre fontes de alimentação originais.

Não deixe a bateria a carregar por mais de 16 horas. Recarregue sempre numa área ventilada.

Não recarregue a bateria em ambientes muito quentes. Não recarregue a bateria perto de líquidos inflamáveis.

Não cubra a bateria de forma nenhuma enquanto estiver a carregar.

Se a bateria exalar um mau cheiro, desconecte-a imediatamente da fonte de alimentação e ventile o compartimento, não toque na bateria.

Mantenha a bateria num local fresco e seco quando não a estiver a utilizar.

## Colocação na estrada

Antes de utilizar a bicicleta com pedalagem assistida, para garantir a eficiente “colocação na estrada” do produto, é aconselhável verificar cuidadosamente cada peça e providenciar uma intervenção adequada de ajuste dos respetivos componentes mecânicos, diretamente ou com o apoio de operadores especializados por exemplo ajuste e aperto do guiador e do avanço, ajuste e aperto do selim e do espigão, ajuste dos travões, ajuste da caixa de velocidades, verificação da pressão dos pneus, lubrificação da corrente e das engrenagens, aperto correto dos parafusos de fixação verificação e verificação geral de todas as peças. Recomenda-se que os serviços de colocação na estrada sejam executados por pessoal qualificado.

## Rodas

Verifique a pressão de enchimento dos pneus, referindo-se aos valores no ombro do pneu. Verifique o estado de desgaste da borracha: não deve haver cortes, fissuras, corpos estranhos, inchaços anormais, tela exposta e outros danos.

## Sistema de travagem

Verifique o funcionamento dos travões com um teste de travagem a baixa velocidade (máx. 6 km/h) numa zona sem obstáculos, primeiro com o travão traseiro e depois com o travão dianteiro.



## Verifique com resultados negativos

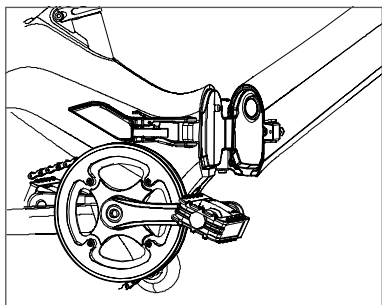
No caso de serem encontrados defeitos de qualquer tipo durante as verificações preliminares e até mesmo que apenas uma verificação apresente resultados negativos, não ande na bicicleta com pedalagem assistida.

Ative todas as medidas imediatamente para fazer um ajuste adequado e, se necessário, entre em contacto com o Serviço de Assistência.

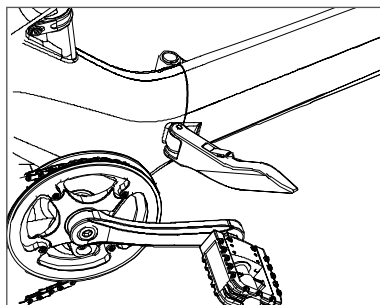


## 7. Início rápido

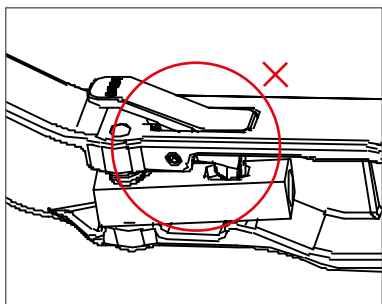
### Desdobre a bicicleta



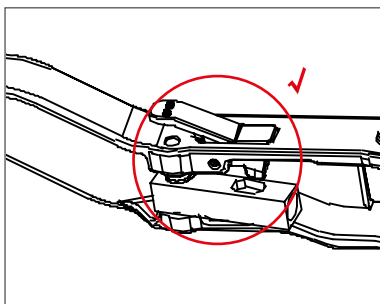
1. Segure o corpo do veículo, desdobre o quadro.



2. Conforme mostrado na imagem, trave a braçadeira da dobra com firmeza, por favor conclua as etapas 3) e 4) antes de travar a braçadeira.

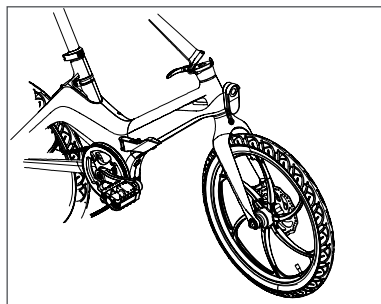


3. Se o fixador aparecer como imagem, necessita de o pressionar para baixo para libertar a peça convexa.

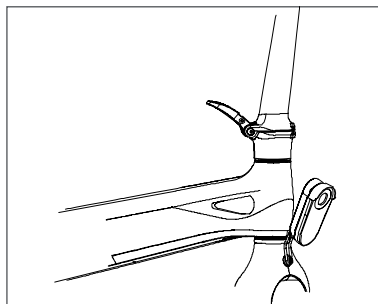


4. Se o fixador aparecer como na imagem, então pode operar a etapa 2) para travar o quadro.

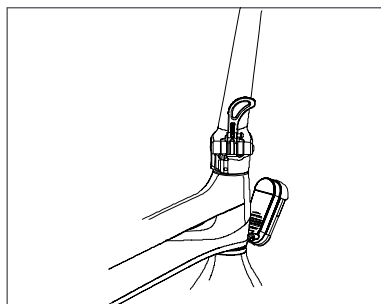
## Desdobre o avanço



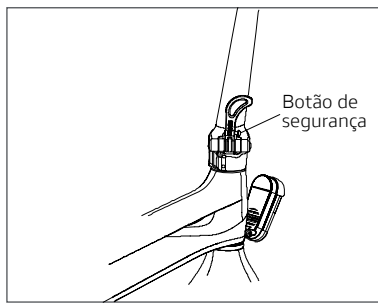
1. Segure o corpo da bicicleta e vire o avanço na vertical para garantir que o avanço está perfeitamente conectado à parte inferior.



2. Aperte a chave dobrável diretamente na direção do avanço.



3. Abane ligeiramente o avanço e verifique se a fivela de segurança está totalmente dobrada.



4. Ao dobrar o avanço, necessita de pressionar a fivela de segurança e, em seguida, abrir a chave dobrável.

## Montar o guidor



2 Coloque cuidadosamente a braçadeira no meio do guidador e, em seguida, aperte os parafusos com a chave sextavada M4.

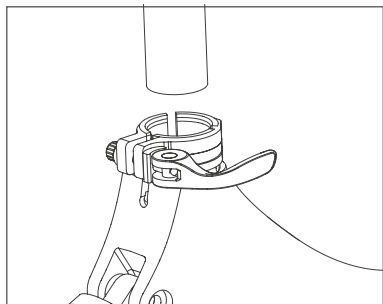


2 Coloque cuidadosamente a braçadeira no meio do guidador e, em seguida, aperte os parafusos com a chave sextavada M4.

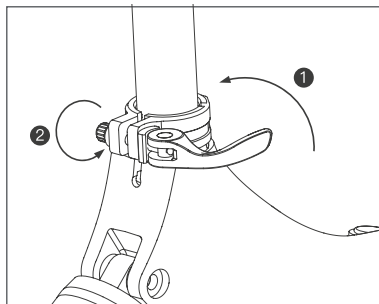


3 Verifique a resistência do guidador e a posição correta antes de andar.

## Montagem do espigão de selim

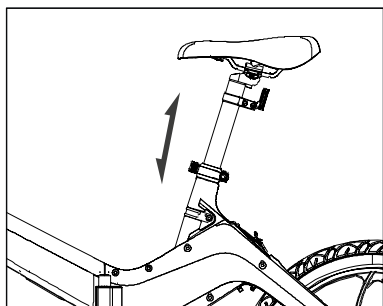


1. Desaperte a braçadeira do espigão do selim, mantenha a bicicleta estável, insira o espigão do selim no quadro.

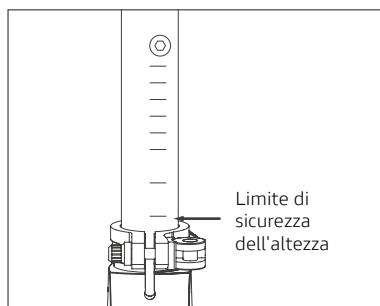


2. Ajuste o parafuso, aperte a braçadeira e pressione o selim totalmente inclinado para garantir que o espigão do selim esteja travado o suficiente e não gire ou mova para cima e para baixo.

## Ajuste da altura do selim

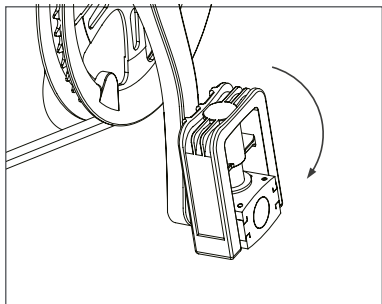


1. Quando precisar de ajustar a altura do selim, primeiro desaperte a braçadeira do espigão do selim, depois mova o espigão para a altura desejada e aperte a braçadeira do espigão do selim.

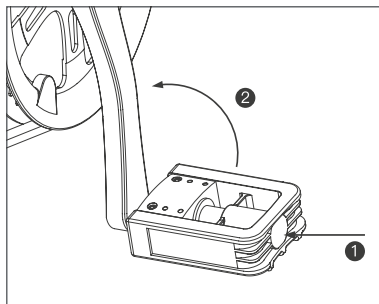


2. A altura do selim não deve exceder a linha limite de altura de segurança mínima de inserção.

## Desdobre e dobre os pedais

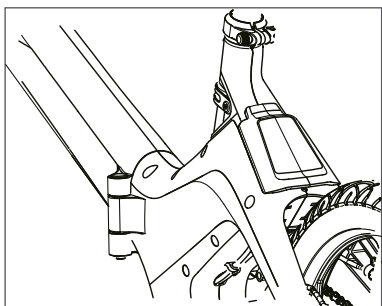


1. Segure no corpo do veículo e desdobre os pedais



2. Pressione o pedal na direção da manivela e dobre-o para cima.

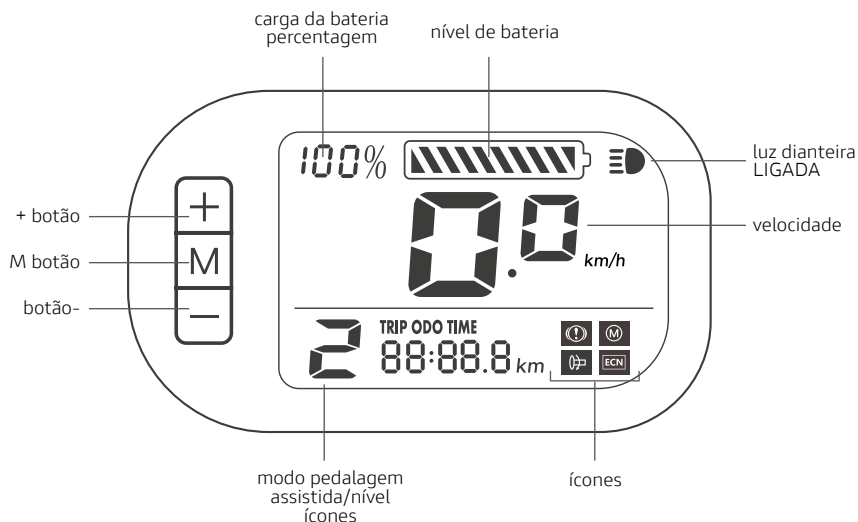
## Accensione



1. Carregue a bateria antes de andar pela primeira vez.

Nota: Quando o carregamento estiver concluído, cubra a ficha para evitar a entrada de água da porta de carregamento.

## 8. Visor LCD



### Funções dos botões:

**Botão M:** botão multifuncional, pressão longa por 3 segundos para LIGAR/DESLIGAR a bicicleta; pressão curta para alternar a exibição de quilometragem de viagem única, quilometragem total e tempo de execução.

**Botão +:** pressão longa por 3 segundos para LIGAR/DESLIGAR a luz dianteira.

**Botão +:** pressão curta para aumentar o modo de velocidade.

**Botão -:** pressão curta para diminuir o modo de velocidade.



O indicador de bateria está cheio quando a bateria da sua bicicleta com pedalagem assistida estiver totalmente carregada. O indicador da bateria diminui de nível à medida que a bicicleta com pedalagem assistida é utilizada. O indicador da bateria pode variar no nível de carga dependendo da utilização da bicicleta com pedalagem assistida, por exemplo, se estiver numa ladeira, o nível do indicador da bateria pode cair rapidamente à medida que consome muito mais energia da bateria da sua bicicleta com pedalagem assistida.

**Para garantir a utilização e a manutenção ideais da bateria, é recomendável carregá-la totalmente após cada utilização.**

## Significado dos ícones:



Indica que a luz dianteira está acesa



Indica que o travão está a funcionar



Indica que o acelerador não está a funcionar ou não está a funcionar



corretamente Indica que o motor não está a



funcionar corretamente Indica que o controlador não está a funcionar

**TRIP ODO TIME** ou não está a funcionar corretamente

88:88.8

Alterna entre quilometragem de viagem única, quilometragem total e tempo de execução

## 9. Instruções de configuração do visor

1. Pressione + e - ao mesmo tempo por 3 s na Interface de configuração P0.
2. Restaurar configuração de fábrica: Pressione + por cerca de 30 s em P0 e sairá automaticamente do Modo de Configuração.



### 3. Comutador Km/Milhas:

- A. Pressione o botão M e comute de P0 para P1
- B. Em P1, pressione +/- para comutar Km/Milhas. 0 = Km, 1 = Milhas
- C. Pressione + e - ao mesmo tempo para sair do Modo de Configuração. Ou sai automaticamente do Modo de Configuração após 15 s.





4. Ajuste ligeiramente a velocidade:

A. Pressione o botão M e comute de P0 para P2

P2 só pode ajustar ligeiramente a velocidade mostrada no visor, não pode alterar a velocidade real.

B. Pressione +/- para alterar os dados. A configuração apropriada é 15,6 para rodas de 16 polegadas, 18,5 para rodas de 20 polegadas. Quanto maiores forem os dados, maior é a velocidade no visor (não mudará a velocidade real).



## 10. Instruções de manutenção

**Todas as operações de manutenção devem ser realizadas com o sistema desligado, a bateria desconectada e a bicicleta apoiada no descanso.**

Após cada operação de manutenção de rotina, é aconselhável verificar o perfeito funcionamento de todos os controlos.

Este manual não detalha a desmontagem e a manutenção não rotineira, uma vez que essas operações devem ser realizadas exclusivamente pela equipa de Serviço de Assistência do seu concessionário autorizado Ducati Urban e-Mobility.

O Serviço de Assistência está em condições de lhe fornecer toda a informação de que necessita e responder a todos os seus pedidos relativos ao perfeito cuidado e manutenção da sua bicicleta com pedalagem assistida.



### Verifique com resultados negativos

- Mesmo que apenas uma verificação tenha um resultado negativo, **não ande na bicicleta com pedalagem assistida.**
- Tome imediatamente todas as medidas para realizar uma reparação adequada e, se necessário, entre em contacto com o Serviço de Assistência do seu concessionário.

### Lavagem

A limpeza da bicicleta com pedalagem assistida não é apenas uma questão de decoro, mas também permite detetar imediatamente qualquer defeito na bicicleta.

Para não danificar ou prejudicar o funcionamento dos vários componentes, especialmente das partes elétricas, a limpeza deve ser realizada tomando certas precauções. É absolutamente proibido dirigir jatos de água sob pressão em direção às peças elétricas, ao motor, ao visor e à bateria, para os quais se recomenda a lavagem com esponja.

Antes de arrancar com a bicicleta com pedalagem assistida, seque-a completamente com um pano ou papel, tendo cuidado para não arranhar os componentes pintados. Evite utilizar ar comprimido, especialmente a curta distância e a alta pressão. Verifique se não ficou humidade residual nos componentes elétricos

### Lubrificação da corrente

É importante lubrificar a corrente regularmente, para evitar desgaste excessivo e prolongar a sua vida útil.

1. Limpe todo o comprimento dos elos da corrente com um pano.
2. Pulverize todos os elos da corrente com um spray lubrificante especial para correntes de transmissão.

## Verificação das peças

O quadro de suporte da bicicleta com pedalagem assistida e as soldas devem estar livres de defeitos visíveis, tais como: rachadelas, deformações, incisões, corrosão etc.

Certifique-se de que todos os parafusos e pedais da bicicleta com pedalagem assistida estão devidamente apertados.

Verifique o estado e a fixação da bateria, as mangas dos cabos elétricos devem estar em boas condições e os terminais devem estar bem apertados e não corroídos.

Verifique o estado da carga da bateria utilizando o indicador no visor do guiador.

Para a utilização adequada da bateria no seu veículo BEPA, recomendamos que carregue sempre a bateria após cada utilização da bicicleta.

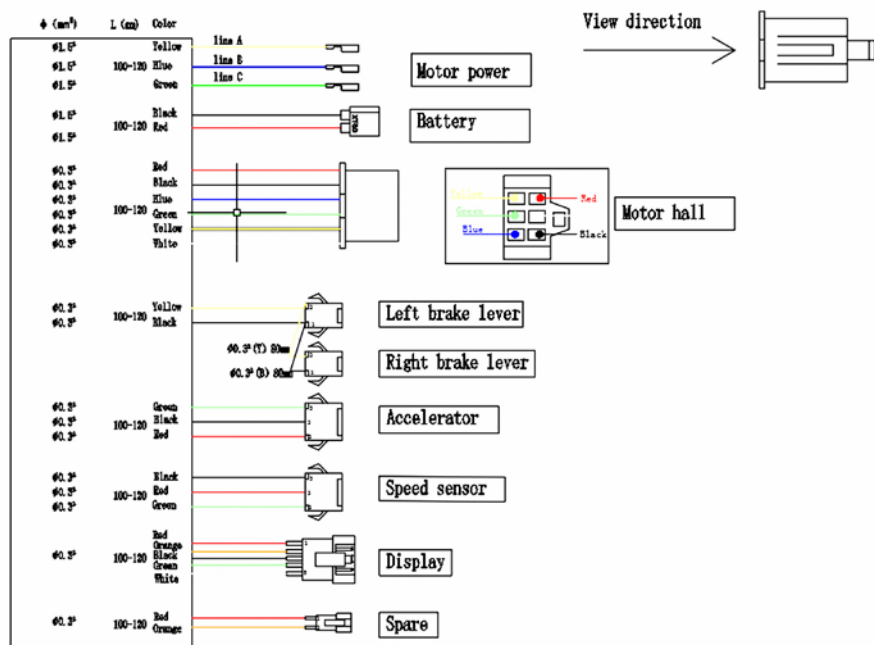
Utilizando a válvula de enchimento nos aros, verifique a pressão de enchimento dos pneus utilizando um compressor e uma pistola manométrica ou uma bomba oficial.

Verifique o estado do piso, do aro e da fixação dos aros aos cubos. Se precisar substituir os pneus, entre em contacto com o Serviço de Assistência ou um revendedor de pneus qualificado.





Os travões devem ser ajustados de forma a garantir uma travagem eficaz e, ao mesmo tempo, as alavancas de comando devem ter uma amplitude suficiente para travagem variável: por outras palavras, os travões não devem estar nem muito soltos nem muito apertados.

# 11. Diagrama de conexões

## 250W Controller



## 12. Resolução de problemas

Indicador do visor	Causa Razões	Soluções
Travão 	Indica que o travão está engatado	/
	A alavanca do travão não volta à posição normal	Pressione a alavanca do travão algumas vezes para o deixar voltar. Substitua por uma nova alavanca de travão
Spia dell'acceleratore 	Sem acelerador	/
	O cabo do acelerador, o acelerador ou o conector está avariado/danificado	Substitua por um novo cabo, acelerador
Falha do motor 	Os conectores entre o acelerador e o controlador não estão bem conectados	Reconecte bem
	O motor não está a funcionar	Substitua por um motor novo
	O cabo ou o conector está avariado/danificado	Substitua por um novo cabo
Falha do controlador 	O cabo com conector Hall do motor não está bem conectado ou está conectado erradamente	Reconecte bem
	O controlador está avariado	Substitua por um novo controlador

## 13. Bateria (avisos)

### Indicador de bateria

O indicador de bateria está cheio quando a bateria da sua bicicleta com pedalagem assistida estiver totalmente carregada. O indicador da bateria diminui de nível à medida que a bicicleta com pedalagem assistida é utilizada. O indicador da bateria pode variar no nível de carga dependendo da utilização da bicicleta com pedalagem assistida, por exemplo, se estiver numa ladeira, o nível do indicador da bateria pode cair rapidamente à medida que consome muito mais energia da bateria da sua bicicleta com pedalagem assistida.

Para garantir a utilização e a manutenção ideais da bateria, é recomendável carregá-la totalmente após cada utilização.

Certifique-se de que a bicicleta com pedalagem assistida, o carregador e a porta de carregamento estão secos.

Quando a bicicleta com pedalagem assistida está totalmente carregada, a luz LED no carregador muda de vermelho (carregamento) para verde (carregamento concluído).

Utilize apenas o carregador original. Outros carregadores podem danificar o dispositivo e colocar outros riscos potenciais.

A bicicleta com pedalagem assistida não deve ser carregada durante longos períodos. A sobrecarga reduz a vida útil da bateria e pode causar outros riscos potenciais.

Carregue a bicicleta com pedalagem assistida num ambiente seco, longe de materiais inflamáveis (por ex., materiais que possam rebentar em chamas), de preferência a uma temperatura interna de 15-25 °C, mas nunca abaixo de 0 °C ou acima de + 45 °C.

Não carregue sob luz solar direta ou perto de um incêndio.

Não carregue a bicicleta com pedalagem assistida imediatamente após a utilização. Deixe a bicicleta com pedalagem assistida arrefecer durante uma hora antes de a carregar.

Nunca deixe a bicicleta com pedalagem assistida sem supervisão durante o carregamento. Risco térmico! Nunca conecte a tomada de carregamento CC com objetos metálicos.

Leia as secções de carregamento e armazenamento acima para garantir a manutenção e o manuseio apropriado da bateria. Mantenha a bicicleta com pedalagem assistida longe de chamas ou outras fontes de calor para evitar o sobreaquecimento da bateria. Não deixe a bicicleta com pedalagem assistida exposta a temperaturas de congelamento. Quer o calor quer o frio excessivos podem esgotar a bateria.

Evite descarregar completamente a bateria.

É melhor recarregar a bateria enquanto ainda há alguma carga restante. Isto prolonga a vida útil da bateria. Quando a carga está muito baixa, não é possível conduzir normalmente. Isto pode fazer com que o condutor perca o controlo ou caia.

Certifique-se de que a bateria seja carregada em intervalos regulares, mesmo se não utilizar a bicicleta com pedalagem assistida por um longo período. Isto evita danos à bateria causados por baixa tensão durante um longo período.

### **Precauções com a bateria:**

A bateria é composta por células de íons de lítio e elementos químicos que são prejudiciais à saúde e ao meio ambiente. Não utilize a bicicleta com pedalagem assistida se ela emitir odores, substâncias ou calor excessivo. Não descarte a bicicleta com pedalagem assistida ou a bateria no lixo doméstico. O utilizador final é responsável pelo descarte de equipamentos elétricos e eletrônicos e baterias de acordo com todos os regulamentos aplicáveis.

### **O que evitar:**

Abrir ou desmontar a bateria, bater, arremessar ou furar a bateria ou espetar objetos na bateria. Tocar em quaisquer substâncias que extravasem da bateria, pois contêm substâncias perigosas. Permitir que as crianças ou os animais de estimação toquem na bateria.

Sobrecarregar, sobredescarregar ou causar curto-circuito na bateria. Mergulhar ou expor a bateria à água ou a outro líquido. Expor a bateria ao calor ou frio excessivo.

Expor a bateria a um ambiente contendo gases explosivos ou chamas.

Deixar a bateria à chuva ou luz solar direta ou num carro quente sob luz solar direta.

Remontagem ou recondicionamento da bateria.

Carregar ou armazenar a bateria juntamente com objetos de metal, como grampos de cabelo, colares etc. Conduzir a bicicleta com pedalagem assistida durante o carregamento.

A utilização de qualquer carregador diferente do original.

## 14. Especificações técnicas

### Informação geral

Pneus	20" X 2125" com banda refletora
Aros	magnésio, 6 raios mecânico
Travões	disco
Manípulo de velocidades	SHIMANO 6 velocidades
Forqueta	magnésio
Pedaleiro	prato 44 D - 6 pinhões (14-16-18-21-24-28 D)
Pedais	plástico, resselável
Quadro	magnésio, dobrável
Velocidade máx.	25 km/h
Selim	modelo de conforto
Espigão de selim	alumínio
Guiador	alumínio, borracha
Punhos	dobrável
Guarda-lamas	plástico
Descanso	modelo lateral
Porta-bagagens traseira	não incluído
Carga máx.	110kg

### Sistema elétrico

Luzes	LED dianteiro
Visor	LCD com níveis de assistência, luzes de LIGAR/DESLIGAR, hodômetro com as respectivas funções
Motor	36 V, 250 W, IP54, traseira
Bateria	SAMSUNG 36V, 10.5Ah, 378Wh integrada al telaio e removibile
Carregador	SAMSUNG 36 V, 10,5 Ah, 378 Wh integrada na estrutura e removível
Tempo de carregamento	4/5 horas
Autonomia	até 50 km, este valor depende de: nível de assistência utilizado, peso do ciclista, força muscular aplicada ao pedalar, pressão dos pneus, declive da estrada, número de paragens e reinícios

### Dimensões e Pesos

Peso da bateria	2.06kg
Peso sem bateria	18.47kg
Peso tot.	20.53kg
Dimensões da e-bike	1510 x 580 x 1070mm
Dimensões da embalagem	830 x 420 x 620mm





### **Velocidade permitida**

A velocidade máxima permitida por lei é de 25 km/h.

Quaisquer intervenções não autorizadas pelo fabricante na unidade de comando significam que o fabricante não pode ser responsabilizado por quaisquer danos causados a pessoas e/ou coisas; além disso, a garantia do produto adquirido ficará invalidada.

A unidade de controlo foi programada para não permitir alterações no parâmetro da velocidade máxima.

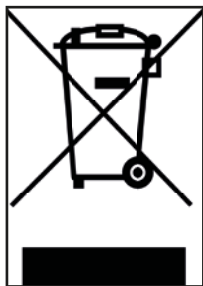


### **Risco de lesão**

Mantenha a velocidade e a conduta adequadas às suas capacidades, nunca utilize a bicicleta com pedalagem assistida acima de 25 km/h, pois pode causar sérios danos e lesões a si próprio ou a outras pessoas.



**Eliminação de dispositivos elétricos ou eletrônicos no final da sua vida útil (aplicável em todos os países da União Europeia e noutros sistemas europeus com sistemas de recolha separada)**



Este símbolo no produto ou na embalagem indica que o produto não deve ser considerado como lixo doméstico normal, mas sim levado para um ponto de recolha apropriado para a reciclagem de equipamentos elétricos e eletrônicos (REEE).

Ao garantir que este produto seja descartado corretamente, ajudará a prevenir potenciais consequências negativas para o meio ambiente e saúde humana que poderiam ser causadas por descarte inadequado. A reciclagem de materiais ajuda a conservar os recursos naturais.

Para obter informações mais detalhadas sobre a reciclagem deste produto, pode entrar em contacto com o serviço de recolha de lixo local ou com a loja onde o adquiriu.

Em qualquer caso, é necessário descartar o produto de acordo com os regulamentos em vigor no país de compra

Especificamente, os consumidores não devem descartar REEE como lixo municipal, mas devem descartar este tipo de lixo separadamente, de duas formas possíveis:

- 1) Nos centros de recolha municipais, diretamente ou através dos serviços de recolha das empresas municipais, quando disponíveis.
- 2) Nos pontos de venda que vendem novos equipamentos elétricos e eletrônicos.

Nestes, podem ser deixados gratuitamente os REEE muito pequenos (com o lado mais comprido menor que 25 cm), enquanto os maiores podem ser deixados numa base de 1 por 1, ou seja, pode deixar o produto antigo quando é adquirido um novo com a mesma função.

No caso de descarte de equipamentos elétricos ou eletrônicos de forma ilegal, podem ser aplicadas as penalidades previstas pela legislação em vigor sobre proteção ambiental (válido apenas para Itália).

Se os REEE contiverem baterias ou acumuladores, estes devem ser removidos e descartados por meio de recolha separada específica



**Eliminação de baterias gastas (aplicável em todos os países da União Europeia e em outros sistemas europeus com sistema de coleta separada)**



Este símbolo no produto ou na embalagem indica que a embalagem da bateria não deve ser considerada lixo doméstico normal. Em alguns tipos de baterias, este símbolo pode ser utilizado em combinação com um símbolo químico.

Os símbolos químicos para mercúrio (Hg) ou chumbo (Pb) são adicionados se a bateria contiver mais de 0,0005% de mercúrio ou 0,004% de chumbo.

Ao garantir que as baterias sejam descartadas corretamente, ajudará a evitar possíveis consequências negativas para o meio ambiente e a saúde que poderiam ser causadas pelo manuseio inadequado de resíduos. A reciclagem de materiais ajudará a conservar os recursos naturais. Quando, por motivos de segurança, desempenho ou proteção de dados, os produtos exigirem uma conexão fixa a uma bateria/pilha elétrica interna, esta só deve ser substituída por pessoal de serviço qualificado.

No final da sua vida útil, entregue o produto num ponto de recolha adequado para o descarte de equipamentos elétricos e eletrónicos, isso garantirá que a bateria interna também seja descartada de forma correta.

Para obter informações mais detalhadas sobre o descarte da bateria gasta ou do produto, pode entrar em contacto com o serviço de recolha de lixo local ou com a loja onde o adquiriu.

Em qualquer caso, é necessário descartar o produto de acordo com os regulamentos em vigor no país de compra.

## 15. Termos de garantia

Todos os produtos são abrangidos pela "Garantia Legal de Conformidade" no cumprimento da Diretiva 2011/83/EU.

A Garantia Legal é reservada aos consumidores. Por conseguinte, aplica-se apenas a utilizadores que tenham feito uma compra para fins não relacionados com qualquer atividade empresarial, comercial, artesanal ou profissional desenvolvida.

Para quem adquiriu os Produtos e não tem classificação de consumidor, a garantia por defeitos do produto vendido, a garantia por falta de qualidade prometida e essencial e as demais garantias previstas no Código Civil com os respetivos termos, caducidade e limitações serão aplicadas.

O Vendedor (e, por conseguinte, no que diz respeito à compra dos Produtos, o Revendedor que vendeu o Produto ao utilizador) é responsável perante o consumidor por qualquer falta de conformidade existente no momento da entrega do produto e que ocorra no prazo de dois anos a partir da data de entrega supramencionada. A falta de conformidade deve ser comunicada ao vendedor, sob pena de caducidade da garantia, no prazo de dois meses a contar da data da sua descoberta.

Salvo prova em contrário, presume-se que a falta de conformidade ocorrida no prazo de seis meses a partir da entrega do produto já existia naquela data, a menos que essa presunção seja incompatível com a natureza do produto ou com a natureza da falta de conformidade. A partir do sétimo mês após a entrega do produto, caberá ao consumidor comprovar que a falta de conformidade já existia no momento da entrega do mesmo.

Para usufruir da Garantia Legal, o comprador deve primeiro comprovar as datas de compra e de entrega das mercadorias. Por conseguinte, é aconselhável que o comprador guarde todos os documentos que possam atestar as datas de compra e entrega (por exemplo: recibo, fatura, e-mail de confirmação da encomenda).

Quaisquer defeitos ou avarias causados por eventos acidentais e/ou atribuíveis à responsabilidade do Comprador ou pela utilização do Produto que não esteja em conformidade com a sua utilização pretendida e/ou conforme fornecido na documentação técnica que acompanha o Produto, ou devido a falha de ajuste das peças mecânicas, desgaste e rotura natural dos materiais que se desgastam facilmente ou causados por erros de montagem, falta de manutenção e/ou utilização do mesmo em desacordo com as instruções

Por exemplo, o seguinte deve ser considerado excluído da Garantia Legal relevante para os Produtos:

- danos causados por impactos, quedas acidentais ou colisões, perfurações;
- danos causados pela utilização, exposição ou armazenamento em ambiente inadequado (por ex.: presença de chuva e/ou lama, exposição à humidade ou calor excessivo, contacto com areia ou outras substâncias);
- danos causados por falha de ajuste devido à "colocação na estrada" e/ou manutenção de peças mecânicas (travão de disco mecânico, guiador, pneus etc.);

- instalação incorreta e/ou montagem incorreta de peças e/ou componentes, exceto quando a instalação e/ou montagem tenha sido realizada pelo vendedor ou sob a sua responsabilidade e/ou tenham sido realizadas pelo consumidor, mas o erro na instalação e/ou a montagem seja atribuída à falta de instruções de instalação;
- o desgaste e rotura natural dos materiais consumíveis: travão de disco mecânico (por ex., pastilhas, pinças, disco, cabos), pneus, plataformas, juntas, rolamentos, luzes LED e lâmpadas, descanso, botões, guarda-lamas, peças de borracha (plataforma), conectores de cablagem, grelhas e adesivos etc.;
- manutenção inadequada e/ou utilização imprópria da bateria do Produto;
- adulterar e/ou forçar peças do Produto;
- manutenção ou alteração incorreta ou inadequada do Produto;
- utilização indevida do Produto (por ex.: excesso de carga, utilização em competições e/ou para atividades de comércio ou de locação);
- manutenção, reparações e/ou intervenções técnicas no Produto realizadas por terceiros não autorizados;
- danos nos Produtos em resultado do transporte, quando realizado pelo Comprador;
- danos e/ou defeitos resultantes da utilização de peças não originais.

No caso de um Produto adquirido, durante o período de validade da Garantia Legal, manifestar o que poderia ser uma falta de conformidade, o Comprador deve entrar em contacto com o vendedor; este responderá prontamente à comunicação da alegada falta de conformidade, indicando o procedimento específico a ser seguido, tendo também em consideração a categoria a que pertence o Produto e/ou o defeito comunicado.



## Declaração de Conformidade

M.T. Distribution S.r.l.

Indirizzo: Via Bargellino 10, 40012 Calderara di Reno (BO), Italia

Esta declaração de conformidade é emitida sob a responsabilidade exclusiva do Fabricante

Marca do Produto	Ducati
Modelo do Produto	MG-20
Descrição do produto	Bicicleta elétrica
Avaliação	Produto: CC 36 V, 250 W

Está em conformidade com as disposições das Diretivas do Conselho sobre a aproximação das legislações dos Estados-Membros relativa à Diretiva do Conselho da UE 2014/30/UE Compatibilidade Eletromagnética, UE DM 2006/42/CE

Padrões de teste:

EN 15194: 2017

EN 55014-1: 2017

EN 61000-3-2: 2014

EN 61000-3-3: 2013

EN 55014-2: 2015

Nome da fábrica: ONEBOT CYCLES Sp.zo.o

Morada da fábrica Prologis Park Wrocław 1, building DC 1 A, Magazynowa 1 street, 55-040 Bielany Wroclawskie, Polónia

Date: 07/01/2020

Data: 07-01-2020

Ficheiro técnico disponível na sede da UE

Local da declaração: Bologna, Itália

Nome e sobrenome: Alessandro Summa

Cargo: Administrador-delegado

MT DISTRIBUTION S.R.L

Via Bargellino 10, 40012, Calderara di Reno (BO), Itália

Pessoa autorizada: Alessandro Summa

Cargo: Administrador-delegado

NOTA:

Esta declaração de conformidade aplica-se apenas a Bicicletas elétricas vendidas em países que seguem as diretrizes da marcação CE.

Alessandro Summa

M.T. DISTRIBUTION SRL

Via Bargellino, 10 b/c

40012 CALDERARA DI RENO (BO)

FORM FEE: 01119840377

NOME COGNOME QUALIFICA

TIMBRO AZIENDALE

# **MG-20**

αναδιπλούμενο ηλεκτρικό ποδήλατο

## Εγχειρίδιο χρήσης και συντήρησης

Προτού χρησιμοποιήσετε το ποδήλατο, θα πρέπει να το συναρμολογήσετε σωστά και να ελέγχετε όλα του τα μέρη. Τυχόν ζημιά που οφείλεται στη συναρμολόγηση ή στην εσφαλμένη συντήρηση δεν καλύπτεται από την εγγύηση.

Για περισσότερες πληροφορίες, τεχνική υποστήριξη και βοήθεια, επικοινωνήστε με τον προμηθευτή σας ή επισκεφθείτε την ιστοσελίδα [www.ducatiurbanemobility.com](http://www.ducatiurbanemobility.com)

## Περιεχόμενα

1. Εισαγωγή
2. Προειδοποιήσεις ασφαλείας
3. Περιεχόμενο συσκευασίας
4. Περιγραφή του ποδηλάτου (eras)
5. Ανύψωση και μεταφορά
6. Πρώτη χρήση του ποδηλάτου
7. Γρήγορος οδηγός
8. Οθόνη LCD
9. Οδηγίες ρύθμισης οθόνης
10. Οδηγίες συντήρησης
11. Διάγραμμα συνδέσεων
12. Επίλυση προβλημάτων
13. Μπαταρία (Προειδοποιήσεις)
14. Τεχνικά χαρακτηριστικά
15. Όροι εγγύησης



# 1. Εισαγωγή

## Γενική επισκόπηση

Το παρόν εγχειρίδιο αποτελεί αναπόσπαστο και ουσιαστικό μέρος του υποβοηθούμενου με πεντάλ ποδηλάτου (EPAC) και πρέπει να παρέχεται στον χρήστη.

Πριν από την πρώτη χρήση του ποδηλάτου, είναι βασικό οι χρήστες να διαβάζουν, να κατανοούν και να τηρούν αυστηρά τους ακόλουθους όρους.

Ο κατασκευαστής δεν φέρει ευθύνη για ζημιές σε άτομα ή/και σε αντικείμενα ή στο υποβοηθούμενο με πεντάλ ποδήλατο εάν αυτό χρησιμοποιείται με εσφαλμένο τρόπο που δεν συμμορφώνεται με τις οδηγίες που παρέχονται.

Δεδομένης της συνεχούς τεχνολογικής εξέλιξης, ο κατασκευαστής διατηρεί το δικαίωμα να επιφέρει αλλαγές στο υποβοηθούμενο με πεντάλ ποδήλατο (EPAC) χωρίς προηγούμενη ειδοποίηση και χωρίς το παρόν εγχειρίδιο να ενημερώνεται αυτομάτως.

Συνιστάται η επίσκεψη στην ιστοσελίδα [www.ducatiurbanemobility.com](http://www.ducatiurbanemobility.com) όπου μπορείτε να βρείτε τις ενημερώσεις ή τις αλλαγές του παρόντος εγχειριδίου

## Υπηρεσία Υποστήριξης

Εάν αντιμετωπίζετε κάποιο πρόβλημα ή αν έχετε κάποιο αίτημα για διευκρίνιση, μη διστάζετε να επικοινωνήσετε με την Υπηρεσία Υποστήριξης του εξουσιοδοτημένου προμηθευτή σας Ducati Urban e-Mobility, ο οποίος μπορεί να σας παρέχει εκπαιδευμένο και εξειδικευμένο προσωπικό, ειδικό εξοπλισμό και γνήσια ανταλλακτικά.

## Γραφική απεικόνιση των προειδοποιήσεων ασφαλείας

Τα ακόλουθα γραφικά σύμβολα χρησιμοποιούνται για τον προσδιορισμό των προειδοποιήσεων ασφαλείας που περιέχονται στο παρόν εγχειρίδιο. Σκοπός τους είναι να τραβούν την προσοχή του αναγνώστη/χρήστη ώστε να εξασφαλιστεί η σωστή και ασφαλή χρήση του υποβοηθούμενου με πεντάλ ποδηλάτου.



### Απαιτείται προσοχή

Επισημαίνει τους κανόνες συμπεριφοράς που πρέπει να υιοθετούνται ώστε να μην προκαλείται ζημιά στο υποβοηθούμενο με πεντάλ ποδήλατο ή/και την εκδήλωση επικίνδυνων καταστάσεων.



### Υπολειπόμενοι κίνδυνοι

Αυτό επισημαίνει την παρουσία καταστάσεων που προκαλούν υπολειπόμενους κινδύνους απέναντι στους οποίους ο χρήστης πρέπει να είναι προσεκτικός προκειμένου να αποφεύγει τραυματισμό ή ζημιά σε ιδιοκτησία.

## Νομική σημείωση σχετικά με τη χρήση

Τηρείτε πάντα τον κώδικα οδικής κυκλοφορίας καθώς και τους κανονισμούς και νόμους σχετικά με την κυκλοφορία που ισχύουν για τους ποδηλάτες στη χώρα χρήσης του ποδηλάτου.

## 2. Προειδοποίηση ασφαλείας

### Γενικοί κανόνες ασφαλείας



#### Χρήση του υποβοηθούμενου με πεντάλ ποδηλάτου

Ο κάθε χρήστης θα πρέπει να διαβάζει το παρόν εγχειρίδιο χρήσης και συντήρησης προτού χρησιμοποιήσει για πρώτη φορά το ποδήλατο, και ιδιαίτερα το κεφάλαιο που αναφέρεται στις οδηγίες ασφαλείας.



#### Κίνδυνοι που σχετίζονται με τη χρήση του υποβοηθούμενου με πεντάλ ποδηλάτου

Παρά τη χρήση των διατάξεων ασφαλείας, για τη διασφάλιση της ασφαλούς χρήσης του υποβοηθούμενου με πεντάλ ποδηλάτου, θα πρέπει να λαμβάνετε υπόψη όλες τις οδηγίες πρόληψης ατυχημάτων που περιέχονται στο παρόν εγχειρίδιο.

Θα πρέπει να είστε διαρκώς συγκεντρωμένοι όταν οδηγείτε το ποδήλατό σας και να μην υποτιμάτε τους υπολειπόμενους κινδύνους που σχετίζονται με τη χρήση του υποβοηθούμενου με πεντάλ ποδηλάτου.

Ακόμη και όταν είστε εξοικειωμένοι με τη χρήση υποβοηθούμενων με πεντάλ ποδηλάτων, θα πρέπει να ακολουθείτε τις οδηγίες που αναφέρονται εδώ, καθώς και τις γενικές προφυλάξεις που πρέπει να τηρούνται κατά την οδήγηση ενός μηχανοκίνητου ποδηλάτου.

### Ευθύνες

Ο Χρήστης πρέπει να χρησιμοποιεί το υποβοηθούμενο με πεντάλ ποδήλατο με τη μέγιστη δυνατή προσοχή και σε πλήρη συμμόρφωση με τον κώδικα οδικής κυκλοφορίας και με όλους τους σχετικούς κανονισμούς για την ποδηλασία που ισχύουν στη χώρα χρήσης του ποδηλάτου.

Επίσης, ο Χρήστης πρέπει να διατηρεί το υποβοηθούμενο με πεντάλ ποδήλατο απόλυτα καθαρό, αποτελεσματικό και συντηρημένο, να εκτελεί επιμελώς τους ελέγχους ασφαλείας που εμπíπτουν στο πεδίο των γνώσεών του, σύμφωνα με την περιγραφή στην ενότητα των προειδοποιήσεων και υποδείξεων, καθώς και να διατηρεί όλα τα έγγραφα που αφορούν το υποβοηθούμενο με πεντάλ ποδήλατο.

Ο Χρήστης πρέπει να αξιολογεί προσεκτικά τις καιρικές συνθήκες που μπορεί να καταστήσουν επικίνδυνη τη χρήση του υποβοηθούμενου με πεντάλ ποδηλάτου. Για το λόγο αυτό, συνιστάται να μετριάξει την ταχύτητα και να διατηρεί κατάλληλη απόσταση πέδησης σε περίπτωση που η οδήγηση γίνεται υπό αντίξοες συνθήκες ή και έντονη κυκλοφοριακή κίνηση.

## Προειδοποιήσεις για τους χρήστες

- Απαγορεύεται να οδηγείτε έχοντας κάποιον επιβάτη.
- Μην καταναλώνετε αλκοόλ ή άλλες ουσίες προτού οδηγήσετε το υποβοηθούμενο με πεντάλ ποδήλατο.
- Το εν λόγω μοντέλο υποβοηθούμενου με πεντάλ ποδηλάτου έχει σχεδιαστεί και κατασκευαστεί για χρήση σε εξωτερικούς χώρους, δημόσιους δρόμους ή ποδηλατοδρόμους.
- Μην επιχειρείτε να ωθήσετε το υποβοηθούμενο με πεντάλ ποδήλατο να υπερβεί τα όρια των προδιαγραφών για τις οποίες είναι σχεδιασμένο.
- Μην οδηγείτε ποτέ το υποβοηθούμενο με πεντάλ ποδήλατο έχοντας αφαιρέσει κάποια εξαρτήματα.
- Αποφύγετε ανώμαλες επιφάνειες και εμπόδια.
- Οδηγείτε έχοντας και τα δύο χέρια στο τιμόνι.
- Αντικαταστήστε τα φθαρμένα ή/και κατεστραμμένα εξαρτήματα και ελέγξτε ότι τα προστατευτικά λειτουργούν σωστά πριν από τη χρήση.

## Σημειώσεις σχετικά με τη συντήρηση

Όλες οι εργασίες συντήρησης πρέπει να εκτελούνται με τη μπαταρία αποσυνδεδεμένη.

Κατά τη διάρκεια κάθε σταδίου συντήρησης, οι χειριστές πρέπει να είναι εξοπλισμένοι με τον απαραίτητο εξοπλισμό πρόληψης ατυχημάτων.

Τα εργαλεία που χρησιμοποιούνται για τη συντήρηση πρέπει να είναι κατάλληλα και να έχουν καλή ποιότητα.

Μη χρησιμοποιείτε βενζίνη ή εύφλεκτους διαλύτες όπως απορρυπαντικά, αλλά χρησιμοποιείτε πάντα μη εύφλεκτους και μη τοξικούς διαλύτες.

Περιορίστε όσο το δυνατό περισσότερο τη χρήση πεπιεσμένου αέρα (μέγστο 2 bar) και προστατευτείτε με γυαλιά με πλευρική προστασία.

Μη χρησιμοποιείτε ποτέ γυμνή φλόγα ως μέσο φωτισμού όταν εκτελείτε εργασίες ελέγχου ή συντήρησης.

Μετά από οποιαδήποτε διαδικασία συντήρησης ή προσαρμογής, βεβαιωθείτε ότι δεν παραμένουν εργαλεία ή ξένα αντικείμενα ανάμεσα στα κινούμενα μέρη του υποβοηθούμενου με πεντάλ ποδηλάτου.



## Γνήσια ανταλλακτικά

Χρησιμοποιείτε μόνο γνήσια ανταλλακτικά Ducati Urban e-Mobility.

Ο κατασκευαστής δεν ευθύνεται για τυχόν ζημιά ή απώλεια λειτουργικότητας που οφείλεται στη χρήση μη γνήσιων αξεσουάρ και εξαρτημάτων.

## Άλλες οδηγίες

Το πρώτο πράγμα που πρέπει να κάνετε όταν αρχίσετε να χρησιμοποιείτε το ποδήλατο είναι να ελέγξετε την παρουσία και την ακεραιότητα των προστατευτικών και τη λειτουργία των διατάξεων ασφαλείας.

Εάν διαπιστώσετε οποιοδήποτε ελάττωμα, μη χρησιμοποιείτε το υποβοηθούμενο με πεντάλ ποδήλατο!



## Προστατευτικές διατάξεις

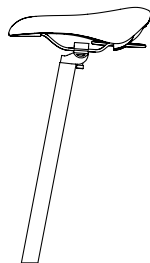
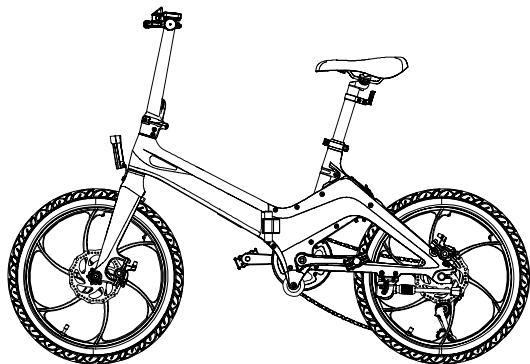
Ως εκ τούτου, απαγορεύεται αυστηρά να τροποποιείτε ή να αφαιρείτε τη μπαταρία, τα προστατευτικά αλυσίδας, κτλ., καθώς και τις προειδοποιητικές και αναγνωριστικές πινακίδες.

## Μακροχρόνια αποθήκευση

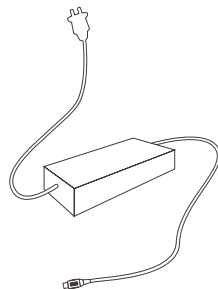
Σε περίπτωση που το υποβοηθούμενο με πεντάλ ποδήλατο χρειάζεται να αποθηκευτεί για μεγάλο χρονικό διάστημα χωρίς να χρησιμοποιηθεί, θα πρέπει να εκτελούνται οι παρακάτω ενέργειες:

- Επίσκευάστε το σε ξηρό και καλά αεριζόμενο χώρο.
- Εκτελέστε γενικό καθαρισμό του υποβοηθούμενου με πεντάλ ποδηλάτου.
- Αφαιρέστε τη μπαταρία από την υποδοχή της.
- Αφήστε το ποδήλατο να στέκεται με το σταντ.
- Προστατεύστε τις εκτεθειμένες ηλεκτρικές επαφές με αντιοξειδωτικά προϊόντα.
- Λιπάνετε όλες τις επιφάνειες που δεν προστατεύονται από βαφή ή από αντιδιαβρωτική προστασία

### 3. Περιεχόμενο συσκευασίας



- Πλαίσιο ποδηλάτου
- Σέλα + λαιμός σέλας
- Φορτιστής
- Οπίσθιος φωτεινός ανακλαστήρας
- Κλειδί allen (4mm)
- Μπροστινός προφυλακτήρας
- Οπίσθιος προφυλακτήρας
- 2 κλειδιά για κλείδωμα μπαταρίας



## 4. Περιγραφή του ποδηλάτου (eras)



1. Σέλα
2. Διάταξη αναδίπλωσης πλαισίου
3. Διάταξη αναδίπλωσης λαιμού τιμονιού
4. Κλειδαριά ασφαλείας
5. Τιμόνι
6. Μοχλός φρένων
7. Φως πορείας
8. Μπροστινό πιρούνι
9. Δισκόφρενο
10. Μπροστινός προφυλακτήρας (απαιτείται συναρμολόγηση, περιέχεται στο κουτί)
11. Τροχός αλυσίδας
12. Προστασία τροχού αλυσίδας
13. Τροχός στήριξης
14. Πεντάλ
15. Σταντ
16. Πίσω ντεραγιέ
17. Κινητήρας
18. Οπίσθιος προφυλακτήρας (απαιτείται συναρμολόγηση, περιέχεται στο κουτί)
19. Κολάρο λαιμού σέλας
20. Λαιμός σέλας
21. Οπίσθιος φωτεινός ανακλαστήρας (απαιτείται συναρμολόγηση, περιέχεται στο κουτί)
22. Σειριακός αριθμός

## Όροι χρήσης

Το υποβοηθούμενο με πεντάλ ποδήλατο έχει σχεδιαστεί και κατασκευαστεί για χρήση σε εξωτερικούς χώρους, σε δημόσιους δρόμους και σε ποδηλατοδρόμους, αλλά πάντα σε ασφαλοστρωμένες επιφάνειες.

Οποιαδήποτε τροποποίηση στην κατασκευή μπορεί να επηρεάσει την ασφάλεια και τη σταθερότητα του υποβοηθούμενου με πεντάλ ποδηλάτου και μπορεί να οδηγήσει σε ατύχημα.

Άλλοι τύποι χρήσης, ή χρήση πέραν της προβλεπόμενης χρήσης, δεν ανταποκρίνονται στη χρήση που προβλέπεται από τον κατασκευαστή και συνεπώς ο κατασκευαστής παύει να φέρει ευθύνη για τυχόν ζημιές που μπορεί να προκύψουν.

Η διάρκεια ζωής της μπαταρίας, και συνεπώς η εκτιμώμενη διανυθείσα απόσταση σε km, μπορεί να ποικίλλει σημαντικά ανάλογα με τον τύπο της χρήσης και των εξωτερικών παραγόντων. Λάβετε υπόψη αυτούς τους ιδιαίτερα σημαντικούς παράγοντες: βάρος χρήστη, συχνότητα χρήσης πεταλιών, επιλεγμένο επίπεδο υποστήριξης στην οθόνη, μέση ταχύτητα, πάχος και φθορά επιφάνειας ελαστικών, κλίση και επιφάνεια δρόμου, καιρικές συνθήκες.

## Περιβάλλον χρήσης

Το υποβοηθούμενο με πεντάλ ποδήλατο μπορεί να χρησιμοποιηθεί σε εξωτερικούς χώρους, όταν δεν υπάρχουν αντίξοες καιρικές συνθήκες (βροχή, χαλάζι, χιόνι, δυνατός αέρας, κτλ.).

Μέγιστη επιτρεπόμενη θερμοκρασία: + 40°C Ελάχιστη επιτρεπόμενη θερμοκρασία: + 0°C  
Μέγιστη επιτρεπόμενη υγρασία: 80%

Το περιβάλλον χρήσης πρέπει να αποτελείται από επίπεδη, συμπαγή ασφαλοστρωμένη επιφάνεια, χωρίς τραχύτητα, λακκούβες ή σημεία που έχουν υποχωρήσει, και χωρίς εμπόδια και κηλίδες λαδιού. Επίσης, ο χώρος χρήσης πρέπει να φωτίζεται, είτε από τον ήλιο είτε τεχνητό φωτισμό, προκειμένου να διασφαλίζεται η σωστή ορατότητα της διαδρομής και τα στοιχεία ελέγχου του υποβοηθούμενου με πεντάλ ποδηλάτου (συνιστώνται 300 έως 500 lux).



## Απαγορευμένο περιβάλλον χρήσης

Το υποβοηθούμενο με πεντάλ ποδήλατο δεν πρέπει να χρησιμοποιείται: σε περιοχές όπου υπάρχει ο κίνδυνος πυρκαγιάς ή έκρηξης, σε περιβάλλον με διαβρωτική ή/και χημικά ενεργή ατμόσφαιρα, σε ανεπαρκώς φωτιζόμενους χώρους, σε σημεία με κλίση μεγαλύτερη από 10%, ή σε ανώμαλο, μη ασφαλοστρωμένο έδαφος.

## Μη κατάλληλη χρήση και αντενδείξεις

Οι ενέργειες που περιγράφονται παρακάτω, με τις οποίες προφανώς δεν καλύπτεται ολόκληρο το φάσμα των πιθανοτήτων «κακής χρήσης» του υποβοηθούμενου με πεντάλ ποδηλάτου, πρέπει να απαγορεύονται αυστηρώς.



### Απαγορευμένες ενέργειες

Η εκτέλεση απαγορευμένων ενεργειών συνεπάγεται την ακύρωση της εγγύησης.

Ο κατασκευαστής απαλλάσσεται από κάθε ευθύνη για τυχόν ζημιές σε ανθρώπους και αντικείμενα που προκαλούνται από την εκτέλεση απαγορευμένων ενεργειών.



### Απαγορεύεται αυστηρά:

Να οδηγείτε το υποβοηθούμενο με πεντάλ ποδήλατό σας για σκοπούς διαφορετικούς από αυτούς για τους οποίους έχει κατασκευαστεί, π.χ. για τη μεταφορά επιβατών.

Να οδηγείτε το υποβοηθούμενο με πεντάλ ποδήλατό σας σε περιοχές όπου υπάρχει κίνδυνος έκρηξης.

Να οδηγείτε το υποβοηθούμενο με πεντάλ ποδήλατό σας σε αντίξοες καιρικές συνθήκες (καταρακτώδης βροχή, χαλάζι, χιόνι, δυνατός αέρας, κτλ.).

Να μεταφέρετε κάποιον επιβάτη.

Να οδηγείτε το υποβοηθούμενο με πεντάλ ποδήλατό σας υπό την επήρεια αλκοόλ ή άλλων ουσιών.

Να οδηγείτε το υποβοηθούμενο με πεντάλ ποδήλατό σας εάν το βάρος σας ξεπερνά το επιτρεπόμενο βάρος. Να φορτίζετε τη μπαταρία σε πολύ ζεστό ή μη καλά αεριζόμενο περιβάλλον.

Να καλύπτετε τη μπαταρία ενώ φορτίζει.

Να καπνίζετε ή να χρησιμοποιείτε ελεύθερες φλόγες κοντά στο σημείο φόρτισης.

Να διέρχεστε ή να σταματάτε σε επιφάνειες με κλίση μεγαλύτερη από 10% ή σε ανώμαλες επιφάνειες (μη ασφαλοστρωμένες, με λακκούβες, υποχώρηση εδάφους, εμπόδια, κτλ.).

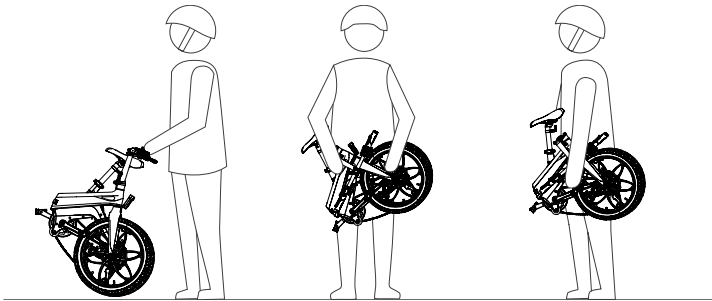
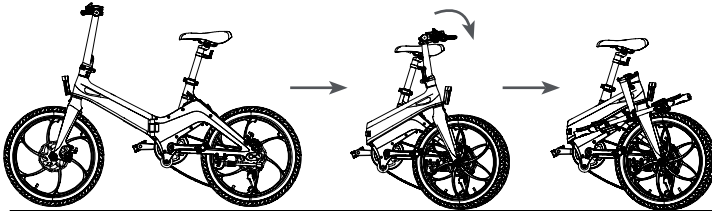
Να εκτελείτε οποιαδήποτε εργασία συντήρησης με τη μπαταρία συνδεδεμένη. Να χρησιμοποιείτε μη γνήσια ανταλλακτικά.

Να τοποθετείτε τα άκρα σας ή τα δάχτυλά σας ανάμεσα στα κινούμενα μέρη του ποδηλάτου.

Απαγορεύεται αυστηρά να σηκώνετε τον λαιμό της σέλας πάνω από το όριο των 10 εκ. προκειμένου να αποφεύγονται θραύσεις στο πλαίσιο.



## 5. . Ανύψωση και μεταφορά



### Πρόσκρουση και σύνθλιψη

Κατά τη διάρκεια της ανύψωσης, απαιτείται μέγιστη προσοχή προκειμένου να αποφεύγεται ζημιά σε ανθρώπους και αντικείμενα.

Ο κατασκευαστής δεν φέρει καμία ευθύνη για τυχόν θραύσεις που προκαλούνται από την ανύψωση ή/και μεταφορά του υποβοηθούμενου με πεντάλ ποδηλάτου μετά την παράδοσή του.

Το βάρος του υποβοηθούμενου με πεντάλ ποδηλάτου είναι περίπου 21 kg και η μεταφορά του συνιστάται να γίνεται από δύο ενήλικα άτομα.

### Μεταφορά

Για να διασφαλίσετε υψηλό βαθμό ασφάλειας κατά τη μεταφορά μέσα σε οχήματα, είναι απαραίτητο να προλαμβάνεται η μετατόπιση του υποβοηθούμενου με πεντάλ ποδηλάτου. Αυτό επιτυγχάνεται στηρίζοντας το ποδήλατο στο σταντ που διαθέτει και δένοντάς το με ιμάντες ή συρματόσχοινα που είναι σε καλή κατάσταση.

Σχετικά με αυτό, οι διατάξεις στερέωσης πρέπει να τοποθετούνται με τέτοιο τρόπο ώστε να μην προκαλούν ζημιά στο πλαίσιο και στα άλλα μέρη του ποδηλάτου.

## 6. Πρώτη χρήση του ποδηλάτου

### Φόρτιση μπαταρίας

Προτού χρησιμοποιήσετε το ποδήλατο για πρώτη φορά, είναι απαραίτητο να φορτίσετε τη μπαταρία για τουλάχιστον 4-6 ώρες, μέχρι να ολοκληρωθεί η φόρτιση, χρησιμοποιώντας τον φορτιστή μπαταρίας που παρέχεται.

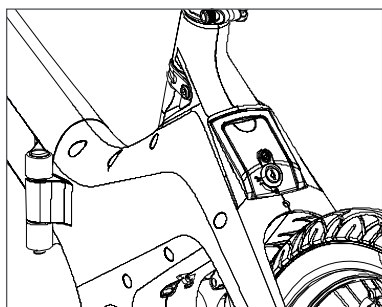
Το ποδήλατο τροφοδοτείται από μπαταρία ιόντων λιθίου 36V.

Ο μέσος χρόνος φόρτισης είναι περίπου 4-6 ώρες. Οι μπαταρίες είναι τύπου λιθίου.

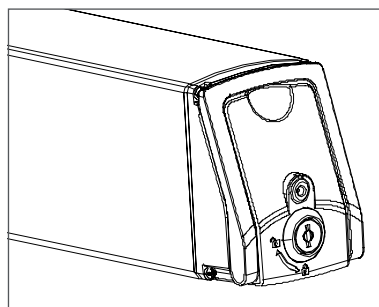
Για να επεκτείνετε τη διάρκεια ζωής της μπαταρίας όσο το δυνατό περισσότερο, συνιστάται μια πλήρης φόρτιση κάθε τριάντα ημέρες, ακόμη και αν το ποδήλατο δεν χρησιμοποιείται.

Συνιστάται η φόρτιση της μπαταρίας με τον ειδικό φορτιστή μπαταριών ύστερα από κάθε χρήση του υποβοηθούμενου με πεντάλ ποδηλάτου.

**Κατά τη διάρκεια της φόρτισης είναι αναμμένο το κόκκινο φως του φορτιστή, ενώ όταν η φόρτιση ολοκληρωθεί, σβήνει το κόκκινο φως και ανάβει το πράσινο φως.**

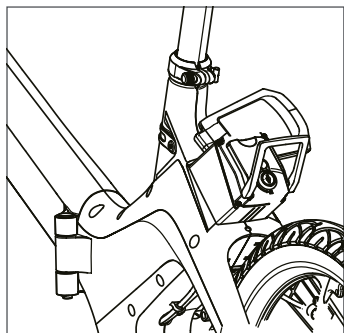


Πρώτη επιλογή φόρτισης: ανοίξτε το ελαστικό κάλυμμα που υπάρχει στη θύρα φόρτισης και φορτίστε.

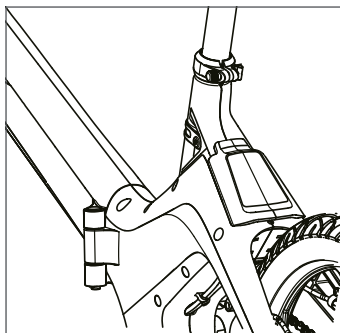


Δεύτερη επιλογή φόρτισης: αφαιρέστε τη μπαταρία και φορτίστε τη χωρίς να χρειάζεται να μετακινήσετε το ποδήλατο.

## Απεγκατάσταση & Εγκατάσταση μπαταρίας



1. Απενεργοποιήστε το ποδήλατο, ξεκλειδώστε τη μπαταρία και έπειτα τραβήξτε προς τα έξω το κουτί της μπαταρίας με τη λαβή ανύψωσης όπως φαίνεται στην εικόνα.



2. Κατά την εγκατάσταση της μπαταρίας, κλειδώστε τη μπαταρία με το κλειδί και αφαιρέστε το κλειδί, πιέστε τη λαβή της μπαταρίας για να μπει μέσα και ξεδιπλώστε το πλαίσιο του ποδηλάτου.



**ΚΙΝΔΥΝΟΣ**

### Προφυλάξεις κατά τη φόρτιση

Συνδέετε πάντα πρώτα το βύσμα στη μπαταρία και έπειτα το φως στην πρίζα ρεύματος.

Όταν ολοκληρώνεται η φόρτιση, αποσυνδέετε πάντα πρώτα το φως από την πρίζα ρεύματος και έπειτα το βύσμα από τη μπαταρία.

Φορτίζετε πάντα πλήρως της μπαταρία. Χρησιμοποιείτε πάντα γνήσια τροφοδοτικά ισχύος.

Μην αφήνετε τη μπαταρία να φορτίζει για περισσότερο από 16 ώρες. Φορτίζετε πάντα σε καλά αεριζόμενο χώρο.

Μη φορτίζετε τη μπαταρία σε περιβάλλον που είναι πολύ ζεστό. Μη φορτίζετε τη μπαταρία κοντά σε εύφλεκτα υγρά.

Μην καλύπτετε τη μπαταρία με οποιονδήποτε τρόπο την ώρα που φορτίζεται.

Εάν η μπαταρία αναδίδει άσχημη μυρωδιά, αποσυνδέστε την αμέσως από το ρεύμα, αερίστε το δωμάτιο και μην αγγίζετε τη μπαταρία.

Διατηρείτε τη μπαταρία σε δροσερό και ξηρό μέρος όταν δεν τη χρησιμοποιείτε.

## Προετοιμασία για κυκλοφορία

Προτού χρησιμοποιήσετε το υποβοηθούμενο με πεντάλ ποδήλατο, προκειμένου να διασφαλίσετε τη σωστή χρήση του προϊόντος, συνιστάται να εκτελείτε προσεκτικό έλεγχο σε όλα του τα μέρη και να φροντίζετε για τη σωστή ρύθμιση των μηχανικών εξαρτημάτων του, απευθείας ή με τη βοήθεια εξειδικευμένου προσωπικού, π.χ. ρύθμιση και σύσφιξη του τιμονιού και αντίστοιχου λαιμού, ρύθμιση και σύσφιξη της σέλας και του αντίστοιχου λαιμού, ρύθμιση των φρένων, ρύθμιση του κιβωτίου ταχυτήτων, έλεγχος της πίεσης των ελαστικών, λίπανση αλυσίδας και οδοντωτών τροχών, έλεγχος σωστής σύσφιξης των κοχλιών στερέωσης και γενικός έλεγχος όλων των εξαρτημάτων. Συνιστάται οι εργασίες προετοιμασίας για κυκλοφορία να εκτελούνται από εξειδικευμένο προσωπικό.

### Τροχοί

Ελέγξτε την πίεση των ελαστικών, έχοντας ως αναφορά τις τιμές που αναγράφονται επάνω στα ελαστικά. Ελέγξτε το βαθμό φθοράς του ελαστικού: δεν πρέπει να υπάρχουν τομές, ρωγμές, ξένα σώματα, μη φυσιολογικά εξογκώματα, εκτεθειμένα λινά και άλλες φθορές.

### Σύστημα πέδησης

Ελέγξτε τη λειτουργία των φρένων με έλεγχο της πέδησης σε χαμηλή ταχύτητα (μέγ. 6 km/h) σε χώρο χωρίς εμπόδια, πρώτα με το πίσω φρένο και έπειτα με το μπροστινό φρένο.



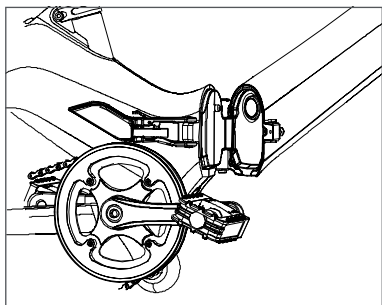
### Έλεγχος με αρνητικά αποτελέσματα

Σε περίπτωση που διαπιστωθούν ελαττώματα οποιουδήποτε είδους κατά τη διάρκεια των προκαταρκτικών ελέγχων και έστω και ένας από τους ελέγχους δώσει αρνητικό αποτέλεσμα, **μη χρησιμοποιείτε το υποβοηθούμενο με πεντάλ ποδήλατο.**

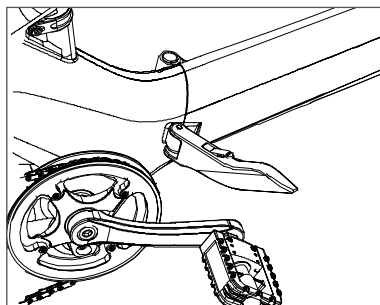
Λάβετε αμέσως όλα τα μέτρα προκειμένου να γίνει σωστή προσαρμογή, και αν χρειάζεται, επικοινωνήστε με την Υπηρεσία Υποστήριξης.

## 7. Γρήγορος οδηγός

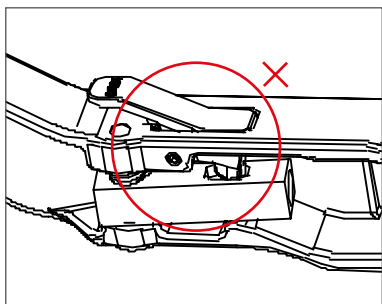
### Ξεδιπλώμα του ποδηλάτου



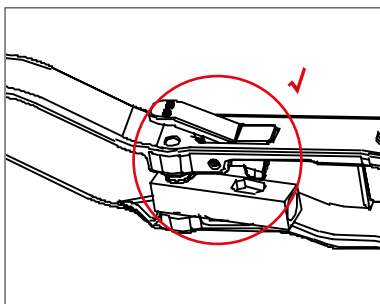
1. Κρατήστε το σώμα του ποδηλάτου και ξεδιπλώστε το πλαίσιο.



2. Ασφαλίστε το κούμπωμα σφιχτά, όπως φαίνεται στην εικόνα, αφού πρώτα ολοκληρώσετε τα βήματα 3) και 4) προτού ασφαλίσετε το κούμπωμα.

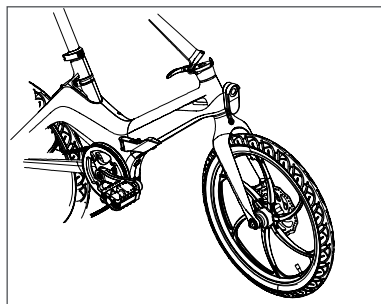


3. Αν ο σύνδεσμος συγκράτησης είναι όπως φαίνεται στην εικόνα, θα πρέπει να το πατήσετε προς τα κάτω ώστε να απελευθερωθεί το κρυτό στοιχείο.

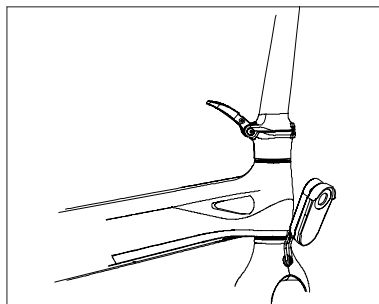


4. Αν ο σύνδεσμος συγκράτησης είναι όπως φαίνεται στην εικόνα, τότε μπορείτε να εκτελέσετε το βήμα 2) για να κλειδώσετε το πλαίσιο.

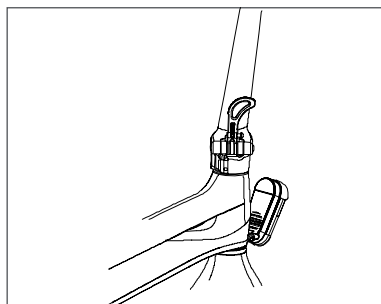
## Ξεδίπλωμα του λαιμού του τιμονιού



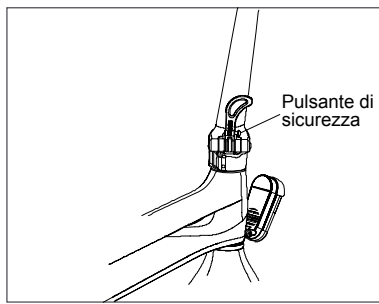
1. Κρατήστε το σώμα του ποδηλάτου και σηκώστε τον λαιμό του τιμονιού σε όρθια θέση ώστε ο λαιμός να συνδεθεί ανεμπόδιστα στο κάτω μέρος.



2. Κλείστε το κλειδί ασφάλισης μετακινώντας το προς την κατεύθυνση του λαιμού του τιμονιού.



3. Κουνήστε ελαφρώς τον λαιμό του τιμονιού και ελέγξτε αν το κουμπωμα ασφαλείας έχει κλειδώσει πλήρως.



4. Για να αναδιπλώσετε τον λαιμό του τιμονιού, θα πρέπει να πατήσετε το κουμπί ασφαλείας και έπειτα να ανοίξετε το κλειδί ασφάλισης

## Τοποθέτηση τιμονιού



1. Χρησιμοποιήστε το Κλειδί Allen M4 για να χαλαρώσετε τις βίδες στην κεφαλή του λαιμού του τιμονιού και αφαιρέστε το κολάρο.

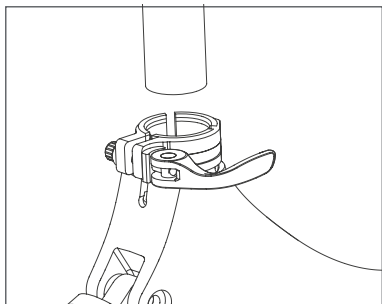


2. Τοποθετήστε προσεκτικά το κολάρο στη μέση του τιμονιού και έπειτα σφίξτε τις βίδες με το Κλειδί Allen M4.

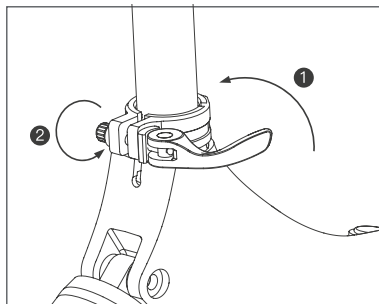


3. Ελέγξτε τη σύσφιξη και τη σωστή θέση του τιμονιού και διορθώστε προτού οδηγήσετε.

## Συναρμολόγηση λαιμού σέλας

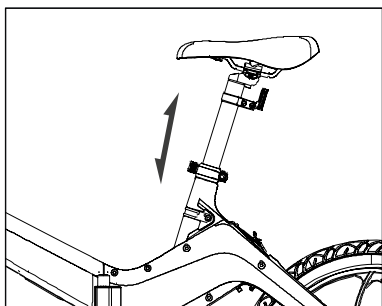


1. Χαλαρώστε το κολάρο του λαιμού της σέλας κρατώντας το ποδήλατο σταθερό και εισάγετε το λαιμό της σέλας στο πλαίσιο.

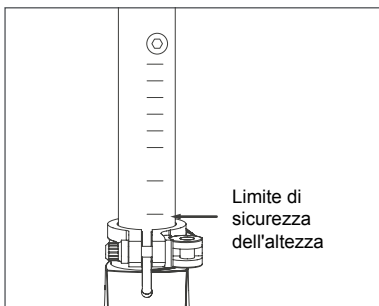


2. Ρυθμίστε τη βίδα, σφίξτε το κολάο και έπειτα πιέστε τη σέλα με δύναμη για να εξασφαλίσετε ότι ο λαιμός της σέλας έχει κλειδώσει καλά και ότι δεν περιστρέφεται ή κινείται πάνω κάτω.

## Ρύθμιση ύψους σέλας



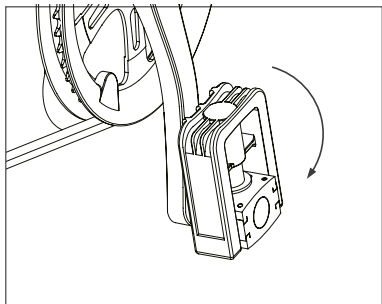
1. Όταν χρειάζεται να ρυθμίσετε το ύψος της σέλας, χαλαρώστε πρώτα το κολάρο του λαιμού της σέλας, έπειτα μετακινήστε το λαιμό της σέλας στο επιθυμητό ύψος και τέλος σφίξτε το κολάρο του λαιμού



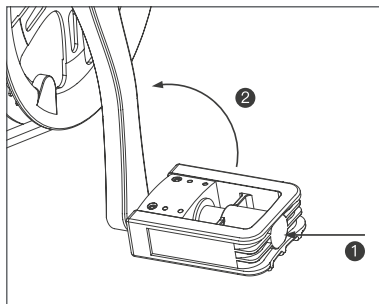
2. Το ύψος της σέλας δεν πρέπει να ξεπερνά τη γραμμή ελάχιστου ορίου ύψους ασφαλείας.



## Ξεδίπλωμα και αναδίπλωση πεντάλ

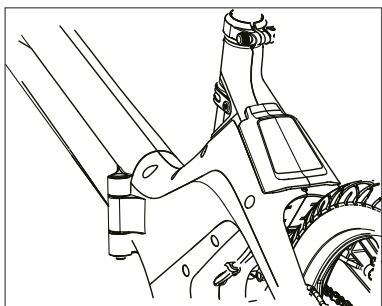


1. Κρατήστε σταθερό το σώμα του ποδηλάτου και ξεδιπλώστε τα πεντάλ.



2. Πιέστε το πεντάλ προς τον δισκοβραχίονα και διπλώστε το.

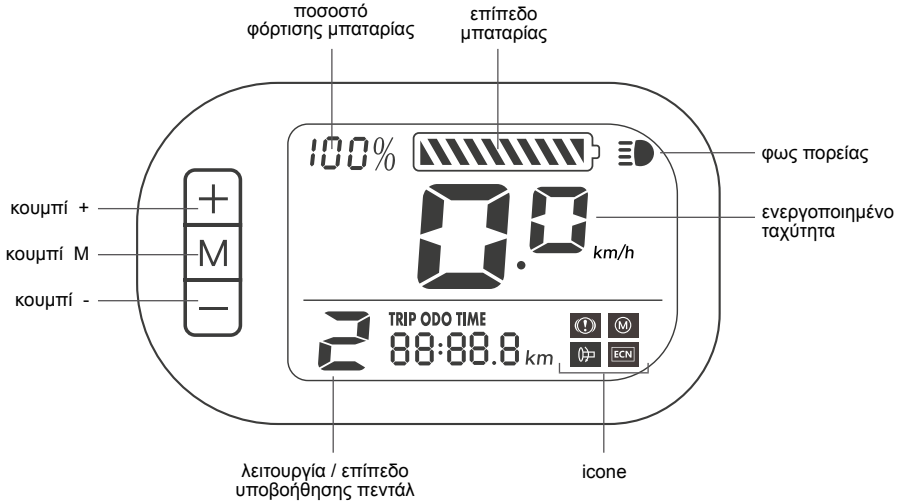
## Εκκίνηση λειτουργίας



1. Φορτίστε τη μπαταρία πριν από την πρώτη οδήγηση.

Σημείωση: Μόλις ολοκληρωθεί η φόρτιση, καλύψτε το βύσμα για να αποφύγετε τη διείσδυση νερού στη θύρα φόρτισης.

## 8. Οθόνη LCD



### Λειτουργίες κουμπιών:

**Κουμπί M** : πολυλειτουργικό κουμπί, πιέστε παρατεταμένα για 3 δευτερόλεπτα για ενεργοποίηση/απενεργοποίηση του ποδηλάτου. Πατήστε στιγμιαία για ένδειξη μεμονωμένης διανυθείσας απόστασης, συνολικής διανυθείσας απόστασης και χρόνου λειτουργίας.

**Κουμπί +** : πατήστε παρατεταμένα για 3 δευτερόλεπτα για να ανάψετε/σβήσετε το φως πορείας.

**Κουμπί +** : πατήστε στιγμιαία για να αυξήσετε την ταχύτητα.

**Κουμπί -** : πατήστε στιγμιαία για να μειώσετε την ταχύτητα.



Η ένδειξη της μπαταρίας είναι γεμάτη όταν η μπαταρία του υποβοηθούμενου με πεντάλ ποδηλάτου σας είναι πλήρως φορτισμένη. Το επίπεδο της μπαταρίας μειώνεται καθώς χρησιμοποιείται το υποβοηθούμενο με πεντάλ ποδήλατο. Η ένδειξη της μπαταρίας μπορεί να αυξομειώνεται ως προς το επίπεδο φόρτισης ανάλογα με τη χρήση του υποβοηθούμενου με πεντάλ ποδηλάτου, π.χ. εάν οδηγείτε σε επιφάνεια με κλίση, το επίπεδο της μπαταρίας μπορεί να πέσει γρήγορα καθώς καταναλώνετε πολύ περισσότερη ισχύ της μπαταρίας του ποδηλάτου σας.

**Για να διασφαλίσετε τη βέλτιστη χρήση και συντήρηση της μπαταρίας, συνιστάται η πλήρης φόρτιση της μπαταρίας μετά από κάθε χρήση.**

## Επεξήγηση εικονιδίων:



Δείχνει ότι το φως πορείας είναι



αναμμένο Δείχνει ότι το φρένο είναι σε λειτουργία



Δείχνει ότι το γκάζι δεν λειτουργεί ή ότι δεν λειτουργεί σωστά Δείχνει ότι ο κινητήρας



δεν λειτουργεί ή δεν λειτουργεί σωστά Δείχνει ότι ο ελεγκτής δεν



λειτουργεί ή ότι δεν λειτουργεί σωστά

## TRIP ODO TIME

88:88.8

Εναλλαγή μεταξύ μεμονωμένης διανυθείσας απόστασης, συνολικής διανυθείσας απόστασης και χρόνου λειτουργίας

## 9. Οδηγίες ρύθμισης οθόνης

1. Πιέστε + και - ταυτόχρονα για 3 δευτ. στη ρύθμιση P0 της οθόνης.
2. Επαναφορά εργοστασιακών ρυθμίσεων: Πιέστε + για περίπου 30 δευτ. στη ρύθμιση P0 και θα εξέλθετε αυτόματα από τη λειτουργία Ρυθμίσεων.



### 3. Εναλλαγή Χιλιομέτρων/Μιλίων (Km/Mile):

- A. Πιέστε το κουμπί M και αλλάξτε από P0 σε P1
- B. Στο P1, πιέστε +/- για εναλλαγή Χιλιομέτρων/Μιλίων. 0=Km, 1=Mile
- C. Πιέστε + και - ταυτόχρονα για να εξέλθετε από τη λειτουργία Ρυθμίσεων. Αλλιώς, γίνεται αυτόματη έξοδος από τη λειτουργία Ρυθμίσεων ύστερα από 15 δευτ.



4. Ρυθμίστε ελαφρώς την ταχύτητα:

A. Πιέστε το κουμπί M και αλλάξτε από P0 σε P2

Το P2 μπορεί μόνο να ρυθμίσει ελαφρώς την ταχύτητα που φαίνεται στην οθόνη, δεν μπορεί να αλλάξει την πραγματική ταχύτητα.

B. Πιέστε +/- για να αλλάξετε την τιμή. Η κανονική ρύθμιση είναι 15,6 για τροχούς 16 ιντσών και 18,5 για τροχούς 20 ιντσών. Όσο μεγαλύτερη είναι η τιμή, τόσο μεγαλύτερη είναι και η ταχύτητα στην οθόνη (δεν θα αλλάξει η πραγματική ταχύτητα).



## 10. Οδηγίες συντήρησης

**Όλες οι εργασίες συντήρησης πρέπει να εκτελούνται με το σύστημα απενεργοποιημένο, τη μπαταρία αποσυνδεδεμένη και το ποδήλατο να στηρίζεται στο σταντ.**

Μετά από κάθε εργασία τακτικής συντήρησης, συνιστάται έλεγχος της άριστης λειτουργίας όλων των στοιχείων χειρισμού.

Το παρόν εγχειρίδιο δεν αναφέρει λεπτομέρειες σχετικά με την αποσυναρμολόγηση και την έκτακτη συντήρηση, διότι οι εργασίες αυτές πρέπει πάντα να εκτελούνται αποκλειστικά από το προσωπικό της Υπηρεσίας Υποστήριξης του εξουσιοδοτημένου προμηθευτή σας της Ducati Urban e-Mobility.

Η Υπηρεσία Υποστήριξης είναι ικανή να σας παρέχει όλες τις πληροφορίες που χρειάζεστε και να απαντήσει σε όλα σας τα αιτήματα αναφορικά με τη σωστή φροντίδα και συντήρηση του υποβοηθούμενου με πεντάλ ποδηλάτου σας.



### Έλεγχος με αρνητικά αποτελέσματα

- Έστω και αν κάποιος μεμονωμένος έλεγχος δώσει αρνητικό αποτέλεσμα, **μην οδηγείτε το υποβοηθούμενο με πεντάλ ποδήλατο.**
- Λάβετε αμέσως όλα τα απαραίτητα μέτρα για την εκτέλεση των κατάλληλων εργασιών επισκευής και αν χρειάζεται, επικοινωνήστε με την Υπηρεσία Υποστήριξης του προμηθευτή σας.

### Πλύσιμο

Ο καθαρισμός του υποβοηθούμενου με πεντάλ ποδηλάτου δεν αποτελεί μόνο ζήτημα αισθητικής αλλά βοηθά επίσης στον άμεσο εντοπισμό τυχόν ελαττωμάτων στο ποδήλατο.

Προκειμένου να μην προκληθεί ζημιά ή βλάβη στη λειτουργία των διαφόρων εξαρτημάτων, ιδιαίτερα στα ηλεκτρικά μέρη, ο καθαρισμός πρέπει να γίνεται υπό τη λήψη ορισμένων μέτρων προφύλαξης. Απαγορεύεται αυστηρά η απευθείας εκτόξευση νερού υπό πίεση στα ηλεκτρικά μέρη, στον κινητήρα, στην οθόνη και στη μπαταρία, και επομένως συνιστάται το πλύσιμο με τη χρήση σφουγγαριού.

Προτού θέσετε σε λειτουργία το υποβοηθούμενο με πεντάλ ποδήλατο, στεγνώστε το καλά με ένα πανί ή χαρτί, προσέχοντας να μην γρατζουνιστούν τα βαμμένα μέρη. Αποφύγετε τη χρήση πεπιεσμένου αέρα, ιδίως από πολύ μικρή απόσταση και με υψηλή πίεση. Βεβαιωθείτε ότι δεν υπάρχει υπολειπόμενη υγρασία στα ηλεκτρικά εξαρτήματα.

### Λίπανση αλυσίδας

Είναι σημαντική η λίπανση της αλυσίδας τακτικά για την αποφυγή της υπερβολικής φθοράς και την παράταση της διάρκειας ζωής της.

1. Καθαρίστε ολόκληρο το μήκος των συνδέσμων της αλυσίδας με ένα πανί.
2. Ψεκάστε όλους τους συνδέσμους της αλυσίδας με ειδικό λιπαντικό σπρέι για αλυσίδες μετάδοσης κίνησης.

## **Έλεγχος των εξαρτημάτων**

Το πλαίσιο στήριξης του υποβοηθούμενου με πεντάλ ποδηλάτου και οι συγκολλήσεις δεν πρέπει να έχουν ορατά ελαττώματα όπως: ρωγμές, παραμορφώσεις, τομές, διάβρωση, κτλ.

Βεβαιωθείτε ότι όλες οι βίδες και τα πεντάλ του υποβοηθούμενου με πεντάλ ποδηλάτου είναι σωστά σφιγμένα.

Ελέγξτε την κατάσταση και τη σύνδεση της μπαταρίας, τα περιβλήματα των ηλεκτρικών καλωδίων πρέπει να είναι σε καλή κατάσταση και οι ακροδέκτες πρέπει να είναι καλά σφιγμένοι και όχι διαβρωμένοι.

Ελέγξτε την κατάσταση φόρτισης της μπαταρίας μέσω της ένδειξης στην οθόνη του τιμονιού.

Για τη σωστή χρήση της μπαταρίας στο EPAC όχημά σας, συνιστάται πάντα να φορτίζετε τη μπαταρία μετά από κάθε χρήση του ποδηλάτου.

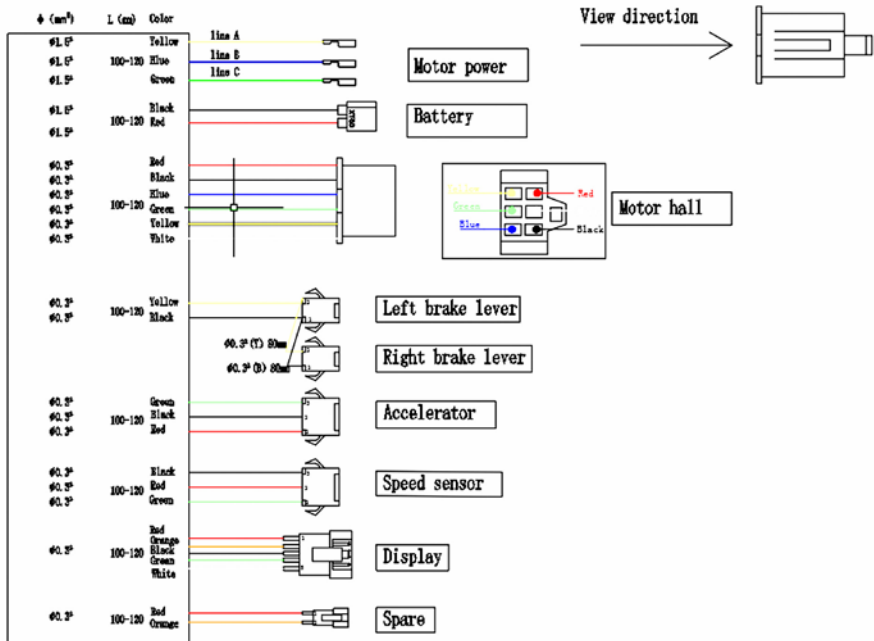
Μέσω της βαλβίδας πλήρωσης που βρίσκεται στις ζάντες, ελέγξτε την πίεση των ελαστικών χρησιμοποιώντας έναν αεροσυμπιεστή και ένα πιστόλι μέτρησης πίεσης ή μια τρόμπα.

Ελέγξτε την κατάσταση του πέλματος των ελαστικών, της ζάντας και της σύνδεσης των ζαντών στις πλήμνες. Εάν χρειαστεί να αντικαταστήσετε τα ελαστικά, επικοινωνήστε με την Υπηρεσία Υποστήριξης ή με έναν ειδικευμένο έμπορο ελαστικών.

Τα φρένα πρέπει να ρυθμίζονται με τέτοιο τρόπο ώστε το φρενάρισμα να είναι αποτελεσματικό και ταυτόχρονα οι μοχλοί ελέγχου πρέπει να έχουν επαρκές εύρος για αυξομείωση του φρεναρίσματος: με άλλα λόγια, τα φρένα δεν πρέπει να είναι ούτε πολύ χαλαρά ούτε πολύ σφιχτά.





# 11. Διάγραμμα συνδέσεων

## 250W Controller





## 12. Επίλυση προβλημάτων

Ένδειξη Οθόνης	Αιτίες	Λύσεις
Φρένο 	Δείχνει ότι το φρένο είναι ενεργοποιημένο	/
	Ο μοχλός του φρένου δεν επανέρχεται στην κανονική θέση	Πιέστε τον μοχλό του φρένου μερικές φορές για να επανέλθει. Αντικαταστήστε με νέο μοχλό φρένου
Σφάλμα επιταχυντή 	Χωρίς επιταχυντή	/
	Το καλώδιο του επιταχυντή, ο επιταχυντής ή ο σύνδεσμος έχει σπάσει/υποστεί ζημιά	Αντικαταστήστε με νέο καλώδιο, επιταχυντή
Spia del motore 	Οι σύνδεσμοι μεταξύ του επιταχυντή και του ελεγκτή δεν είναι καλά συνδεδεμένοι	Επανασυνδέστε σωστά
	Ο κινητήρας δεν λειτουργεί	Αντικαταστήστε με νέο κινητήρα
	Τα καλώδια ή ο σύνδεσμος έχουν σπάσει/υποστεί ζημιά	Αντικαταστήστε με νέο καλώδιο
Spia della centralina 	Το καλώδιο του κινητήρα δεν έχει συνδεθεί ή έχει συνδεθεί με εσφαλμένο τρόπο	Επανασυνδέστε σωστά
	Ο ελεγκτής έχει υποστεί ζημιά	Αντικαταστήστε με νέο ελεγκτή

## 13. Μπαταρία (Προειδοποιήσεις)

### Ένδειξη μπαταρίας

Η ένδειξη της μπαταρίας είναι γεμάτη όταν η μπαταρία του υποβοηθούμενου με πεντάλ ποδηλάτου σας είναι πλήρως φορτισμένη. Το επίπεδο της μπαταρίας μειώνεται καθώς χρησιμοποιείται το υποβοηθούμενο με πεντάλ ποδήλατο. Η ένδειξη της μπαταρίας μπορεί να αυξομειώνεται ως προς το επίπεδο φόρτισης ανάλογα με τη χρήση του υποβοηθούμενου με πεντάλ ποδηλάτου, π.χ. εάν οδηγείτε σε επιφάνεια με κλίση, το επίπεδο της μπαταρίας μπορεί να πέσει γρήγορα καθώς καταναλώνετε πολύ περισσότερη ισχύ της μπαταρίας του ποδηλάτου σας.

Για να διασφαλίσετε τη βέλτιστη χρήση και συντήρηση της μπαταρίας, συνιστάται η πλήρης φόρτιση της μπαταρίας μετά από κάθε χρήση.

Βεβαιωθείτε ότι το υποβοηθούμενο με πεντάλ ποδήλατο, ο φορτιστής και η θύρα φόρτισης είναι στεγνά.

Όταν το υποβοηθούμενο με πεντάλ ποδήλατο είναι πλήρως φορτισμένο, η λυχνία LED του φορτιστή αλλάζει από κόκκινη (φόρτιση σε εξέλιξη) σε πράσινη (ολοκληρωμένη φόρτιση).

Χρησιμοποιείτε μόνο τον γνήσιο φορτιστή. Άλλοι φορτιστές ενδέχεται να καταστρέψουν τη συσκευή και να προκαλέσουν άλλους πιθανούς κινδύνους.

Το υποβοηθούμενο με πεντάλ ποδήλατο δεν πρέπει να φορτίζεται για παρατεταμένο χρονικό διάστημα. Η υπερβολική φόρτιση μειώνει τη ζωή της μπαταρίας και μπορεί να συνεπάγεται άλλους κινδύνους.

Φορτίστε το υποβοηθούμενο με πεντάλ ποδήλατο σε ξηρό περιβάλλον μακριά από εύφλεκτα υλικά (π.χ. υλικά που μπορεί να εκραγούν και να προκαλέσουν φωτιά), κατά προτίμηση με εσωτερική θερμοκρασία 15-25°C, αλλά ποτέ κάτω από 0°C ή πάνω από + 45°C.

Μη φορτίζετε υπό το άμεσο ηλιακό φως ή κοντά σε φωτιά.

Μη φορτίζετε το υποβοηθούμενο με πεντάλ ποδήλατο αμέσως μετά από τη χρήση. Αφήστε το υποβοηθούμενο με πεντάλ ποδήλατο να κρυώσει για μια ώρα προτού το φορτίσετε.

Μην αφήνετε ποτέ το υποβοηθούμενο με πεντάλ ποδήλατο χωρίς επίβλεψη ενώ το φορτίζετε. Θερμικός κίνδυνος! Μη συνδέετε ποτέ την υποδοχή φόρτισης DC με μεταλλικά αντικείμενα.

Διαβάστε τις παραπάνω ενότητες που αφορούν τη φόρτιση και την αποθήκευση για να βεβαιωθείτε ότι συντηρείτε και χειρίζεστε σωστά τη μπαταρία. Φυλάξτε το υποβοηθούμενο με πεντάλ ποδήλατο μακριά από ελεύθερες φλόγες ή άλλες πηγές θερμότητας για να αποφύγετε την υπερθέρμανση της μπαταρίας. Μην αφήνετε ποτέ το υποβοηθούμενο με πεντάλ ποδήλατο εκτεθειμένο σε θερμοκρασίες παγετού. Η υπερβολική ζέστη και κρύο μπορεί να αποδυναμώσουν τη μπαταρία.

Αποφύγετε την πλήρη εκφόρτιση της μπαταρίας.

Είναι καλύτερο να επαναφορτίζετε τη μπαταρία όταν απομένει λίγη ακόμη φόρτιση. Αυτό παρατείνει τη διάρκεια ζωής της μπαταρίας. Όταν η φόρτιση είναι υπερβολικά χαμηλή, δεν μπορείτε να οδηγήσετε κανονικά. Αυτό μπορεί να προκαλέσει την απώλεια ελέγχου ή την πτώση του οδηγού.

Βεβαιωθείτε ότι η μπαταρία φορτίζεται ανά τακτά διαστήματα, ακόμη και αν δεν χρησιμοποιείτε το υποβοηθούμενο με πεντάλ ποδήλατο για παρατεταμένο χρονικό διάστημα. Αυτό προφυλάσσει τη μπαταρία από ζημιά που μπορεί να προκληθεί λόγω χαμηλής τάσης για μεγάλο χρονικό διάστημα.

## **Μέτρα προφύλαξης μπαταρίας:**

Η μπαταρία αποτελείται από κυμέλες ιόντων λιθίου και χημικά στοιχεία που είναι επικίνδυνα για την υγεία και το περιβάλλον. Μη χρησιμοποιείτε το υποβοηθούμενο με πεντάλ ποδήλατο εάν εκπέμπει μυρωδιά, ουσίες ή υπερβολική θερμότητα. Μη απορρίπτετε το υποβοηθούμενο με πεντάλ ποδήλατο ή τη μπαταρία μαζί με τα οικιακά απορρίμματα. Ο τελικός χρήστης είναι υπεύθυνος για τη σωστή απόρριψη του ηλεκτρικού και ηλεκτρονικού εξοπλισμού και των μπαταριών σύμφωνα με όλους τους ισχύοντες κανονισμούς.

## **Τι να αποφεύγετε:**

Μην ανοίγετε τη μπαταρία και μην την αποσυναρμολογείτε, χτυπάτε, εκτοξεύετε, τρυπάτε και μην κολλάτε αντικείμενα επάνω της. Μη αγγίζετε τυχόν ουσίες που διαρρέουν από τη μπαταρία, διότι οι ουσίες αυτές είναι επικίνδυνες. Μη αφήνετε παιδιά ή κατοικίδια ζώα να έρχονται σε επαφή με τη μπαταρία.

Αποφύγετε την υπερβολική φόρτιση, υπερβολική εκφόρτιση ή βραχυκύκλωση της μπαταρίας. Μη βυθίζετε και μην εκθέτετε τη μπαταρία σε νερό ή άλλο υγρό. Μη εκθέτετε τη μπαταρία σε υπερβολική θερμότητα ή κρύο.

Μη εκθέτετε τη μπαταρία σε περιβάλλον που περιέχει εκρηκτικά αέρια ή φλόγες.

Μην αφήνετε τη μπαταρία στη βροχή ή στο άμεσο ηλιακό φως ή μέσα σε ζεστό αυτοκίνητο υπό το φως του ηλίου.

Μην επανασυναρμολογείτε ή αναδιαμορφώνετε τη μπαταρία.

Μην κουβαλάτε και μην αποθηκεύετε τη μπαταρία μαζί με μεταλλικά αντικείμενα όπωςτσιμπίδακια μαλλιών, κολιέ, κτλ. Μη οδηγείτε το υποβοηθούμενο με πεντάλ ποδήλατο ενώ φορτίζεται.

Μη χρησιμοποιείτε άλλους φορτιστές πέραν του γνήσιου

## 14. Τεχνικά χαρακτηριστικά

### Γενικές πληροφορίες

Ελαστικά	20" X 2.125" με ανακλαστική ταινία
Ζάντες	μαγνήσιο, 6-ακτίνες
Φρένα	μηχανικός δίσκος
Μοχλός ταχυτήτων	SHIMANO 6 ταχυτήτων
Πιρούνι	μαγνήσιο
Δισκοβραχιονας	δίσκος 44T - 6 γρανάζια (14-16-18-21-24-28T)
Πεντάλ	πλαστικό, επανακλειόμενα
Πλαίσιο	μαγνήσιο, αναδιπλούμενο
Μέγ. ταχύτητα	25 km/h
Κάθισμα	μοντέλο comfort
Σωλήνας καθίσματος	αλουμίνιο
Τιμόνι	αλουμίνιο, αναδιπλούμενο
Λαβές	καουτσούκ
Προφυλακτήρας	πλαστικό
Σταντ	πίσω, πλαϊνό μοντέλο δεν περιλαμβάνεται
Οπίσθια σχάρα	δεν περιλαμβάνεται
Μέγιστο φορτίο	110kg

### Ηλεκτρικό σύστημα

Φώτα	LED μπροστά
Οθόνη	LCD με επίπεδα υποστήριξης, φώτα ON / OFF, μετρητής χιλιομέτρων με σχετικές λειτουργίες
Κινητήρας	36V, 250W, IP54, πίσω
Μπαταρία	SAMSUNG 36V, 10.5Ah, 378Wh ενσωματωμένη στο πλαίσιο και αφαιρούμενη
Φορτιστής	είσοδος: 100-240V, 50-60Hz ,2.5A / έξοδος: 42V, 2.0A
Χρόνος φόρτισης	4/5 ώρες
Αυτονομία	έως 50 km, το στοιχείο αυτό εξαρτάται από τα εξής: επίπεδο υποστήριξης που χρησιμοποιείται, βάρος ποδηλάτη, μυϊκή δύναμη που εφαρμόζεται κατά τη χρήση των πεντάλ, πίεση ελαστικών, κλίση δρόμου, αριθμός στάσεων και επανακινήσεων

### Διαστάσεις και Βάρος

Βάρος μπαταρίας	2.06kg
Βάρος χωρίς μπαταρία	18.47kg
Συν. βάρος	20.53kg
Διαστάσεις ηλεκτρικού ποδηλάτου	1510 x 580 x 1070mm
Διαστάσεις συσκευασίας	830 x 420 x 620mm



### **Επιτρεπόμενη ταχύτητα**

Η μέγιστη επιτρεπόμενη ταχύτητα βάσει νόμου είναι 25 km/h.

Οποιαδήποτε παρέμβαση στη μονάδα ελέγχου που δεν είναι εξουσιοδοτημένη από τον κατασκευαστή, σημαίνει ότι ο κατασκευαστής δεν μπορεί να θεωρηθεί υπεύθυνος για τυχόν ζημιές που προκαλούνται σε άτομα ή/και αντικείμενα. Επίσης, συνεπάγεται ακύρωση της εγγύησης του προϊόντος που έχετε αγοράσει.

Η μονάδα ελέγχου έχει προγραμματιστεί έτσι ώστε να μην επιτρέπονται αλλαγές στην παράμετρο της μέγιστης ταχύτητας.

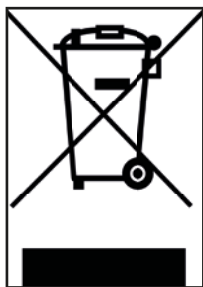


### **Κίνδυνος τραυματισμού**

Διατηρείτε ταχύτητα και συμπεριφορά που συνάδουν με τις ικανότητές σας, μη χρησιμοποιείτε ποτέ το υποβοηθούμενο με πεντάλ ποδήλατο με ταχύτητα πάνω από 25 km/h διότι μπορεί να προκαλέσετε σοβαρή ζημιά και τραυματισμό τόσο σε εσάς τους ίδιους όσο και σε άλλους ανθρώπους.



**Απόρριψη ηλεκτρικού ή ηλεκτρονικού εξοπλισμού στο τέλος της ζωής του (εφαρμόζεται σε όλες τις χώρες της Ευρωπαϊκής Ένωσης και σε άλλα ευρωπαϊκά συστήματα με διαφοροποιημένα συστήματα συλλογής)**



Το σύμβολο αυτό επάνω στο προϊόν ή στη συσκευασία υποδεικνύει ότι το προϊόν δεν πρέπει να θεωρείται κοινό οικιακό απόβλητο, αλλά αντίθετα πρέπει να μεταφέρεται σε κατάλληλο κέντρο συλλογής για την ανακύκλωση αποβλήτων ηλεκτρικού και ηλεκτρονικού εξοπλισμού (ΑΗΗΕ).

Εάν η απόρριψη αυτού του προϊόντος γίνεται σωστά, προστατεύετε το περιβάλλον και την ανθρώπινη υγεία από τις πιθανές αρνητικές επιπτώσεις που μπορεί προκαλούνταν σε αντίθετη περίπτωση. Η ανακύκλωση υλικών συμβάλλει στη διατήρηση των φυσικών πόρων.

Για πιο λεπτομερείς πληροφορίες σχετικά με την ανακύκλωση αυτού του προϊόντος, μπορείτε να επικοινωνήσετε με την τοπική υπηρεσία διάθεσης αποβλήτων ή με το κατάστημα από όπου αγοράσατε το προϊόν.

Σε κάθε περίπτωση, είναι απαραίτητη η απόρριψη του προϊόντος σύμφωνα με τους κανονισμούς που ισχύουν στη χώρα αγοράς.

Το σύμβολο αυτό επάνω στο προϊόν ή στη συσκευασία υποδεικνύει ότι το προϊόν δεν πρέπει να θεωρείται κοινό οικιακό απόβλητο, αλλά αντίθετα πρέπει να μεταφέρεται σε κατάλληλο κέντρο συλλογής για την ανακύκλωση αποβλήτων ηλεκτρικού και ηλεκτρονικού εξοπλισμού (ΑΗΗΕ).

Εάν η απόρριψη αυτού του προϊόντος γίνεται σωστά, προστατεύετε το περιβάλλον και την ανθρώπινη υγεία από τις πιθανές αρνητικές επιπτώσεις που μπορεί προκαλούνταν σε αντίθετη περίπτωση. Η ανακύκλωση υλικών συμβάλλει στη διατήρηση των φυσικών πόρων.

Για πιο λεπτομερείς πληροφορίες σχετικά με την ανακύκλωση αυτού του προϊόντος, μπορείτε να επικοινωνήσετε με την τοπική υπηρεσία διάθεσης αποβλήτων ή με το κατάστημα από όπου αγοράσατε το προϊόν.

Σε κάθε περίπτωση, είναι απαραίτητη η απόρριψη του προϊόντος σύμφωνα με τους κανονισμούς που ισχύουν στη χώρα αγοράς.



**Απόρριψη χρησιμοποιημένων μπαταριών (εφαρμόζεται σε όλες τις χώρες της Ευρωπαϊκής Ένωσης και σε άλλα ευρωπαϊκά συστήματα με διαφοροποιημένα συστήματα συλλογής)**



Το σύμβολο αυτό επάνω στο προϊόν ή στη συσκευασία υποδεικνύει ότι η μπαταρία δεν πρέπει να συγκαταλέγεται στα συνήθη οικιακά απορρίμματα. Σε ορισμένους τύπους μπαταρίας, το σύμβολο αυτό μπορεί να χρησιμοποιείται σε συνδυασμό με ένα χημικό σύμβολο.

Τα χημικά σύμβολα για τον υδράργυρο (Hg) ή τον μόλυβδο (Pb) προστίθενται εάν η μπαταρία περιέχει πάνω από 0,0005% υδράργυρο ή 0,004% μόλυβδο.

Εάν η απόρριψη των μπαταριών γίνεται σωστά, προστατεύετε το περιβάλλον και την υγεία από τις πιθανές αρνητικές επιπτώσεις που μπορεί να προκαλούνταν σε περίπτωση μη σωστής διαχείρισης των αποβλήτων. Η ανακύκλωση υλικών συμβάλλει στη διατήρηση των φυσικών πόρων. Εάν, για λόγους ασφάλειας, απόδοσης ή προστασίας δεδομένων, τα προϊόντα απαιτούν σταθερή σύνδεση σε εσωτερική μπαταρία/στοιχείο, η αντικατάσταση θα πρέπει να γίνεται αποκλειστικά από εξειδικευμένο προσωπικό σέρβις.

Στο τέλος της ζωής του προϊόντος, παραδώστε το σε ένα κέντρο συλλογής κατάλληλο για απόρριψη ηλεκτρικού και ηλεκτρονικού εξοπλισμού. Με αυτόν τον τρόπο επιβεβαιώνετε ότι και η μπαταρία που περιέχεται μέσα σε αυτό απορρίπτεται σωστά.

Για πιο λεπτομερείς πληροφορίες σχετικά με την απόρριψη της χρησιμοποιημένης μπαταρίας ή του προϊόντος, μπορείτε να επικοινωνήσετε με την τοπική υπηρεσία διάθεσης αποβλήτων ή με το κατάστημα από όπου αγοράσατε το προϊόν.

Σε κάθε περίπτωση, είναι απαραίτητη η απόρριψη του προϊόντος σύμφωνα με τους κανονισμούς που ισχύουν στη χώρα αγοράς.

## 15. Όροι εγγύησης

Όλα τα προϊόντα καλύπτονται από τη «Νομική Εγγύηση συμμόρφωσης» σύμφωνα με την Οδηγία 2011/83/ΕΕ.

Η Νομική Εγγύηση προορίζεται για τους καταναλωτές. Επομένως ισχύει μόνο για τους χρήστες που πραγματοποίησαν την αγορά του προϊόντος για σκοπούς που δεν σχετίζονται με την πιθανή διεξαγωγή επιχειρηματικής, εμπορικής, βιοτεχνικής ή επαγγελματικής δραστηριότητας.

Για όσους πραγματοποίησαν την αγορά των Προϊόντων και δεν έχουν την ιδιότητα του καταναλωτή, θα ισχύει η εγγύηση για ελαττώματα του προϊόντος που πωλείται, η εγγύηση για μη ύπαρξη της υποσχόμενης και ουσιαστικής ποιότητας, καθώς και άλλες εγγυήσεις που προβλέπονται από τον αστικό κώδικα με τους αντίστοιχους όρους, ποινές και περιορισμούς.

Ο Πωλητής (και, επομένως, όσον αφορά την αγορά των Προϊόντων, ο Μεταπωλητής που πούλησε το Προϊόν στον χρήστη) φέρει ευθύνη απέναντι στον καταναλωτή για την ύπαρξη οποιασδήποτε έλλειψης συμμόρφωσης τη στιγμή της παράδοσης του προϊόντος και εντός δύο ετών από την ημερομηνία της παράδοσης. Η έλλειψη συμμόρφωσης πρέπει να καταγγέλλεται στον πωλητή, υπό την ποινή της κατάπτωσης της εγγύησης, εντός δύο μηνών από την ημερομηνία που διαπιστώθηκε.

Εκτός εάν αποδειχθεί το αντίθετο, εικάζεται ότι η έλλειψη συμμόρφωσης που διαπιστώνεται εντός έξι μηνών από την παράδοση του προϊόντος υπήρχε ήδη κατά την ημερομηνία εκείνη, εκτός εάν αυτή η εικασία δεν συνάδει με τη φύση του προϊόντος ή με τη φύση της έλλειψης συμμόρφωσης. Ξεκινώντας από τον έβδομο μήνα μετά την παράδοση του προϊόντος, αποτελεί υποχρέωση του καταναλωτή να αποδείξει ότι η έλλειψη συμμόρφωσης υπήρχε ήδη κατά την παράδοση του προϊόντος.

Προκειμένου να επωφεληθεί από τη Νομική Εγγύηση, ο αγοραστής πρέπει πρώτα να παρέχει απόδειξη των ημερομηνιών αγοράς και παράδοσης των προϊόντων. Επομένως, συνιστάται ο αγοραστής να φυλάσσει όλα τα έγγραφα που μπορούν να επιβεβαιώσουν τις ημερομηνίες αγοράς και παράδοσης (π.χ.: απόδειξη αγοράς, τιμολόγιο, e-mail επιβεβαίωσης παραγγελίας).

Τυχόν ελαττώματα ή δυσλειτουργίες που προκαλούνται από τυχαία συμβάντα ή/και συμβάντα που αποδίδονται στην ευθύνη του Αγοραστή ή από χρήση του Προϊόντος που δεν συμμορφώνεται με την προβλεπόμενη χρήση του ή/και σύμφωνα με όσα προβλέπονται στα τεχνικά έγγραφα που συνοδεύουν το Προϊόν, ή λόγω αποτυχίας ρύθμισης των μηχανικών εξαρτημάτων, φυσικής φθοράς και σχισίματος των υλικών που φθείρονται εύκολα ή λόγω σφαλμάτων κατά τη συναρμολόγηση, έλλειψης συντήρησης ή/και χρήσης που δεν συμμορφώνεται με τις οδηγίες

Για παράδειγμα, τα παρακάτω πρέπει να θεωρείται πως δεν καλύπτονται από τη Νομική Εγγύηση που αφορά τα Προϊόντα:

- ζημιές που προκαλούνται από χτυπήματα, τυχαία πτώση ή σύγκρουση, διάτρηση,
- ζημιές που προκαλούνται από χρήση, έκθεση ή αποθήκευση σε μη κατάλληλο περιβάλλον (π.χ.: παρουσία βροχής ή/και λάσπης, έκθεση σε υγρασία ή υπερβολική ζέση, επαφή με άμμο ή άλλες ουσίες),
- ζημιές που οφείλονται σε μη σωστή ρύθμιση κατά την προετοιμασία για κυκλοφορία ή/και συντήρηση των μηχανικών εξαρτημάτων (μηχανικό δισκόφρενο, τιμόνι, ελαστικά, κτλ.),



- εσφαλμένη εγκατάσταση ή/και εσφαλμένη συναρμολόγηση μερών ή/και εξαρτημάτων, εξαιρουμένης της περίπτωσης κατά την οποία η εγκατάσταση ή/και συναρμολόγηση έχουν εκτελεστεί από τον πωλητή ή υπό την ευθύνη του ή/και έχουν εκτελεστεί από τον καταναλωτή αλλά το σφάλμα της εγκατάστασης ή/και συναρμολόγησης αποδίδεται σε ελλείψεις των οδηγίων εγκατάστασης,
- φυσική φθορά και σχίσιμο των αναλώσιμων υλικών: μηχανικό δισκόφρενο (π.χ. τακάκια, δαγκάνες, δίσκος, καλώδια), ελαστικά, πλατφόρμες, παρεμβύσματα, ρουλεμάν, λυχνίες led και λαμπτήρες, σταντ, κουμπιά, λασπωτήρες, στοιχεία από καουτσούκ (πλατφόρμα), συνδέσεις καλωδίων, σχάρες και αυτοκόλλητα, κτλ.,
- μη σωστή συντήρηση ή/και μη σωστή χρήση της μπαταρίας του Προϊόντος,
- παραποίηση ή/και παραβίαση εξαρτημάτων του Προϊόντος,
- εσφαλμένη ή ακατάλληλη συντήρηση ή τροποποίηση του Προϊόντος,
- ακατάλληλη χρήση του Προϊόντος (π.χ.: υπερβολικό φορτίο, χρήση σε διαγωνισμούς ή/και χρήση για εμπορική δραστηριότητα ή ενοικίαση),
- συντήρηση, επισκευή ή/και τεχνικές εργασίες στο Προϊόν που εκτελούνται από μη εξουσιοδοτημένους τρίτους,
- ζημιές στα Προϊόντα που προκαλούνται κατά τη μεταφορά, εφόσον αυτή εκτελείται από τον Αγοραστή,
- ζημιές ή/και ελαττώματα που οφείλονται στη χρήση μη γνήσιων ανταλλακτικών.

Σε περίπτωση που ένα αγορασμένο Προϊόν, κατά τη διάρκεια της περιόδου ισχύος της Νομικής Εγγύησης, παρουσιάσει κάποια έλλειψη συμμόρφωσης, ο Αγοραστής θα πρέπει να επικοινωνήσει με τον πωλητή, ο οποίος θα απαντήσει άμεσα σχετικά με την καταγγελλόμενη έλλειψη συμμόρφωσης, υποδεικνύοντας τη συγκεκριμένη διαδικασία που θα πρέπει να ακολουθηθεί, λαμβάνοντας επίσης υπόψη την κατηγορία στην οποία το Προϊόν ανήκει ή/και το ελάττωμα που αναφέρεται.



## Δήλωση Συμμόρφωσης

M.T. Distribution S.r.l.

Indirizzo: Via Bargellino 10, 40012 Calderara di Reno (BO), Italia

Η παρούσα δήλωση συμμόρφωσης εκδίδεται με αποκλειστική ευθύνη του Κατασκευαστή

Επωνυμία Προϊόντος	Ducati
Μοντέλο Προϊόντος	MG-20
Περιγραφή προϊόντος	Ηλεκτρικό Ποδήλατο
Ονομαστική τάση/ισχύς	Προϊόν: DC 36V, 250W

Συμμορφώνεται με τις απαιτήσεις των Οδηγιών του Συμβουλίου για την προσέγγιση των νομοθεσιών των μελών κρατών αναφορικά με την Οδηγία 2014/30/ΕΕ του Συμβουλίου περί Ηλεκτρομαγνητικής Συμβατότητας Οδηγία 2006/42/ΕΚ περί Μηχανών (MD)

Πρότυπα Δοκιμών:

EN 15194: 2017

EN 55014-1: 2017

EN 61000-3-2: 2014

EN 61000-3-3: 2013

EN 55014-2: 2015

Όνομα εργοστασίου: ONEBOT CYCLES Sp.zo.o

Διεύθυνση εργοστασίου: Prologis Park Wrocław 1, building DC 1 A, Magazynowa 1 street, 55-040 Bielany Wroclawskie, Πολωνία

Ημερομηνία: 07/01/2020

Ο τεχνικός φάκελος είναι διαθέσιμος στην κεντρική έδρα της ΕΕ

Τόπος Δήλωσης: Μπολόνια, Ιταλία

Όνομα και Επώνυμο: Alessandro Summa

Θέση: CEO

MT DISTRIBUTION S.R.L

Via Bargellino 10, 40012, Calderara di Reno (BO), Ιταλία

Εξουσιοδοτημένο άτομο: Alessandro Summa

Θέση: CEO

ΣΗΜΕΙΩΣΗ:

Η παρούσα δήλωση συμμόρφωσης εφαρμόζεται αποκλειστικά για τα Ηλεκτρικά Ποδήλατα που πωλούνται σε χώρες που τηρούν τις οδηγίες με τη σήμανση CE.

Alessandro Summa

M.T. DISTRIBUTION SRL  
Via Bargellino, 10 b/c  
40012 CALDERARA DI RENO (BO)  
F0008 F0008 F0008 F0008 F0008 F0008 F0008 F0008 F0008 F0008  
NOME COGNOME QUALIFICA  
TIMBRO AZIENDALE

**MG-20**

zložljivo e-kolo

## Navodila za uporabo in vzdrževanje

Pred uporabo kolesa ga je treba pravilno in pravilno sestaviti ter preveriti v vseh njegovih delih. Garancija ne krije poškodb pri montaži ali nepravilnega vzdrževanja. Za več informacij, tehnično podporo in pomoč se obrnite na svojega prodajalca ali obiščite spletno stran [www.ducatiurbanemobility.it](http://www.ducatiurbanemobility.it)

1. Predgovor
2. Varnostno opozorilo
3. Vsebina paketa
4. Opis kolesa (epac)
5. Dviganje in prenašanje
6. Začeti
7. Hiter začetek
8. LCD zaslon
9. Navodila za nastavitev zaslona
10. Navodila za vzdrževanje
11. Diagram povezav
12. Odpravljanje težav
13. Baterija (opozorila)
14. Tehnične specifikacije
15. Garancijski pogoji

# 1. Predgovor

## Pregled

ITa priročnik je sestavni in bistveni del kolesa (EPAC) in ga je treba predati uporabniku.

Pred prvim zagonom kolesa je nujno, da uporabniki preberejo, razumejo in dosledno upoštevajo naslednje določbe.

Proizvajalec ne odgovarja za škodo osebam in/ali lastnini ali kolesu, če se ga nepravilno uporablja na način, ki ni v skladu z danimi navodili.

Zaradi nenehnega tehnološkega razvoja si proizvajalec pridržuje pravico do spremembe kolesa (EPAC) brez predhodnega obvestila, ne da bi se ta priročnik samodejno posodobil.

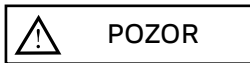
Priporočamo obisk spletnega mesta [www.ducatiurbanemobility.com](http://www.ducatiurbanemobility.com), kjer bodo naložene kakršne koli posodobitve ali spremembe tega priročnika.

## Podporna služba

Če imate kakršne koli težave ali imate kakršne koli zahteve za pojasnilo, se obrnite na službo za podporo vašega pooblaščenega prodajalca e-mobilnosti Ducati Urban, ki vam lahko zagotovi usposobljeno in specializirano osebje, posebno opremo in originalne nadomestne dele.

## Grafična oblika varnostnih opozoril

Za identifikacijo varnostnih sporočil v tem priročniku bodo uporabljeni naslednji grafični simboli. Njihova funkcija je pritegniti pozornost bralca/uporabnika in zagotoviti pravilno in varno uporabo kolesa.



## Bodite pozorni na

Kaže na poudarke pravil ravnanja, ki jih je treba upoštevati, da ne pride do poškodb kolesa in / ali pojava nevarnih situacij.



## Preostala tveganja

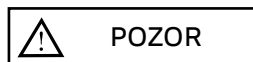
To poudarja prisotnost nevarnosti, ki povzročajo preostala tveganja, na katera mora biti uporabnik pozoren, da se izogne poškodbam ali materialni škodi.

## Pravno obvestilo o uporabi

Vedno spoštujte prometne kodekse in prometne predpise, ki veljajo za kolesarje v državi prometa.

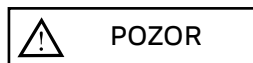
## 2. Varnostno opozorilo

### Splošna varnostna pravila



### Uporaba kolesa

Vsak uporabnik mora pred prvo uporabo kolesa prebrati ta priročnik za uporabo in vzdrževanje; zlasti poglavje o varnostnih navodilih.



### Tveganja, povezana z uporabo kolesa

Kljub uporabi varnostnih naprav se morate za zagotovitev varne uporabe kolesa upoštevati vsa navodila za preprečevanje nesreč v tem priročniku.

Med vožnjo s kolesom bodite vedno osredotočeni in ne podcenjujte preostalih tveganj, povezanih z uporabo kolesa.

Tudi če ste že seznanjeni z uporabo koles, morate upoštevati tukaj navedena navodila in splošne varnostne ukrepe, ki jih morate upoštevati pri vožnji z motornim kolesom.

### Odgovornosti

Uporabnik mora uporabljati kolo z največjo skrbnostjo in v celoti v skladu s prometno kodo in vsemi ustreznimi predpisi o kolesarjenju, ki veljajo v državi prometa.

Uporabnik mora prav tako poskrbeti, da je kolo čisto učinkovito in vzdrževano. Uporabnik naj zato redno izvaja varnostne preglede, ki spadajo v njegovo pristojnost, kot je opisano v razdelku z opozorili in priporočili, ter hranite vso dokumentacijo v zvezi z vzdrževanjem koles.

Uporabnik mora skrbno oceniti atmosferske razmere, ki bi lahko bile nevarne pri uporabi kolesa. V ta namen priporočamo, da se pri vožnji v slabih vremenskih razmerah in / ali intenzivnem prometu zmanjša hitrost in vzdržuje ustrezna zavorna pot.

## Opozorila za uporabnike

- Prepovedana je vožnja s potnikom.
- Pred vožnjo s kolesom ne uživajte alkohola ali drog.
- Ta model kolesa je zasnovan in izdelan za uporabo na prostem, na javnih cestah ali kolesarskih poteh.
- Kolesa ne poskušajte prisiliti, da deluje po višjem standardu od tistega, za katerega je bilo zasnovano.
- Nikoli ne vozite kolesa, če je del ali več delov odstranjenih.
- Izogibajte se neravnim površinam in oviram.
- Vozite z obema rokama na krmilu.
- Zamenjajte obrabljene in/ali poškodovane dele, pred uporabo preverite, ali ščitniki delujejo pravilno.

## Opombe o vzdrževanju

Vsa vzdrževalna dela morajo potekati z odklopljenim akumulatorjem.

Med vsako fazo vzdrževanja morajo biti upravljavci opremljeni s potrebno opremo za preprečevanje nesreč.

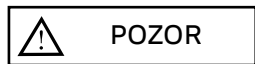
Orodja za vzdrževanje morajo biti primerna in kakovostna.

Ne uporabljajte bencina ali vnetljivih topil, kot so detergenti, ampak vedno uporabite negorljiva in netoksična topila.

Čim bolj omejite uporabo stisnjene zraka (največ 2 bara) in se zaščitite z očali s stranskimi ščitniki.

Ko nadaljujete s postopki preverjanja ali vzdrževanja, nikoli ne uporabljajte odprtega ognja kot osvetljevalnega sredstva.

Po vsakem vzdrževalnem ali nastavitvenem postopku pazite, da med gibljivimi deli kolesa s pedali ne ostane nobeno orodje ali tujki.



## Originalni nadomestni deli

Uporabljajte samo originalne rezervne dele Ducati Urban e-Mobility.

Proizvajalec ne odgovarja za škodo ali izgubo funkcionalnosti zaradi uporabe neoriginalnih dodatkov in delov.

## Druge določbe

Ko začnete uporabljati kolo, morate najprej preveriti prisotnost in neoporečnost varoval ter delovanje varnostnih naprav.

Če odkrijete napako, kolesa ne uporabljajte!



## Ščitniki

Strogo je prepovedano spreminjati ali odstranjevati akumulatorje in ščitnike verig itd., Pa tudi opozorilne in identifikacijske tablice.

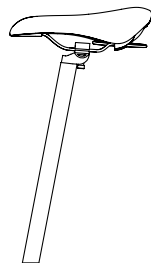
## Skladiščenje

V primeru, da je treba kolo hraniti za daljše obdobje nedejavnosti, je treba izvesti naslednje operacije:

- Popravite ga na suhem in dobro prezračevanem mestu.
- Izvedite splošno čiščenje kolesa s pedali.
- Odstranite baterijo s sedeža.
- Kolo pustite na stojalu.
- Zaščitite izpostavljene električne stike z antioksidantnimi izdelki.
- Vse površine, ki niso zaščitene z barvami ali protikorozijskimi sredstvi, namažite z mastjo.

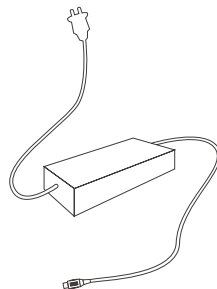


### 3. Vsebina paketa



Telo okvirja kolesa

- Sedež + sedežna opora
- Polnilnik
- Zadnja reflektorska luč
- imbus ključ (4 mm)
- sprednji blatnik
- Zadnji blatnik
- 2 ključa za zaklepanje baterije



## 4. Opis kolesa (epac)



1. Sedlo
2. Okvir kolesa
3. Prečka
4. Varnostna zaklopka
5. Krmilo
6. Zavora ročica
7. Sprednja luč
8. Sprednje vilice
9. Disk zavora
10. Sprednji blatnik (sestavljen, priložen v škatli)
11. Zobnik verige
12. Zaščitno kolo verižnega kolesa
13. Podporno kolo
14. Pedal
15. Stojalo
16. Zadnji menjalnik
17. Motor
18. Zadnji blatnik (sestavljen, priložen v škatli)
19. Objemka za sedež
20. Sedišče
21. Zadnja reflektorska luč (sestavljena, priložena v škatli)
22. Serijska številka

## Terms of use

Kolo je zasnovano in izdelano za vožnjo na prostem, po javnih cestah in kolesarskih poteh, vendar vedno na asfaltiranih površinah.

Vsaka sprememba stanja konstrukcije lahko ogrozi varnost in stabilnost kolesa ter povzroči nesrečo.

Druge vrste uporabe ali uporaba, ki presega obseg predvidene uporabe, ne ustrezajo nameni proizvajalca, zato proizvajalec ne more biti več odgovoren za nastalo škodo.

Življenjska doba baterije in zato ocenjena kilometrina v km, se lahko precej razlikujeta glede na vrsto uporabe in zunanje vplive; upoštevajte naslednje posebej vplivne dejavnike: teža uporabnika, pogostost pedaliranja, stopnja pomoči, izbrana na zaslonu, povprečna hitrost, debelina in obraba tekalne plasti, naklon in površina ceste, vremenske razmere.

## Okolje uporabe

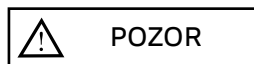
Kolo lahko uporabljate na prostem, v odsotnosti neugodnih vremenskih razmer (dež, toča, sneg, močan veter itd.).

Največja dovoljena temperatura: + 40 ° C

Najnižja dovoljena temperatura: + 0 ° C

Največja dovoljena vlažnost: 80%

Okolje uporabe mora imeti ravno, kompaktno asfaltirano površino, brez hrapavosti, udarcev ali vdolbin ter brez ovir in oljnih madežev. Poleg tega mora biti kraj uporabe osvetljen s soncem ali umetnimi lučmi, da se zagotovi pravilna vidljivost poti in krmiljenje kolesa s pedali (priporočeno 300 do 500 luksov).

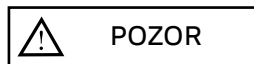


## Prepovedana okolja uporabe

Kolesa s pomočjo pedala ne smete uporabljati: na območjih, kjer obstaja nevarnost požara ali eksplozije; v okoljih z jedkim in/ali kemično aktivnim ozračjem; v slabo osvetljenih okoljih; na kopnem z naklonom večjim od 10%; na neravnem, neasfaltiranem terenu.

## Nepravilna uporaba in prepovedi

Spodaj opisana dejanja, ki sicer ne morejo zajeti celotnega obsega možnih možnosti "zlorabe" kolesa s pomočjo pedala, veljajo za popolnoma prepovedane.



### Prepovedana dejanja

Izvajanje prepovedanih dejanj razveljavi garancijo.

Proizvajalec zavrača vso odgovornost za kakršno koli škodo na osebah in stvareh, ki izhajajo iz izvajanja prepovedanih operacij.



### Strogo je prepovedano:

Voziti kolo za druge namene, kot so tisti, za katere je bilo izdelano, torej za prevoz potnikov.

Voziti kolo na območjih, kjer obstaja nevarnost eksplozije.

Voziti kolo v neugodnih vremenskih razmerah (dež, toča, sneg, močan veter itd.).

Voziti kolo pod vplivom alkohola ali drog.

Voziti kolo, če je vaša teža večja od dovoljene.

Polnite baterije v okolju, ki je pretoplo ali premalo prezračeno.

Med polnjenjem pokrivati baterijo.

Kaditi ali uporabljati odprt plamen v bližini območja za polnjenje.

Vožnja ali ustavljanje se na površinah z naklonom večjim od 10% ali neravnih površinah (neasfaltirane, z luknjami, vdolbinami, ovirami itd.).

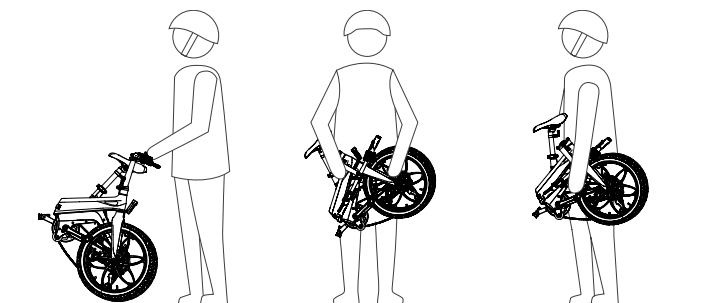
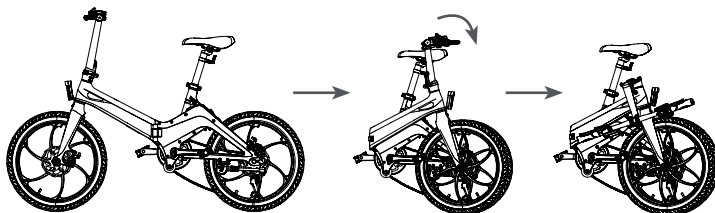
Izvajati vzdrževalna dela s priključeno baterijo.

Uporabljajte neoriginalne rezervne dele.

Okončine ali prste vstavljati med gibljive dele kolesa.

Absolutno je prepovedano dvigniti sedežno oporo preko meje 10 cm. Dvig sedeža prek te meje lahko privede do poškodbe in zlomov okvirja.

## 5. Sprehajanje in nošenje



### Udarci in poškodbe

Med dvigovanjem je treba ravnati zelo previdno, da se izognete poškodbam ljudi in stvari.

Proizvajalec ne odgovarja za zlome zaradi dviganja in/ali prevoza kolesa po dostavi.

Teža kolesa je okoli 21 kg, priporočljivo je, da ga dvigneta dve odrasli osebi.

### Transport

Da bi zagotovili visoko raven varnosti med prevozom v kombijih, je treba preprečiti premikanje kolesa. To dosežete tako, da ga položite na stojalo in ga v dobrem stanju privežete s trakovi ali sidrnimi kabli.

V zvezi s tem morajo biti pritrdilne naprave nameščene tako, da ne poškodujejo okvirja in drugih delov kolesa.

## 6. Zagon

### Polnjenje baterije

Pred prvo uporabo kolesa je treba s priloženim polnilnikom polniti vsaj 4-6 ur, dokler se polnjenje ne konča.

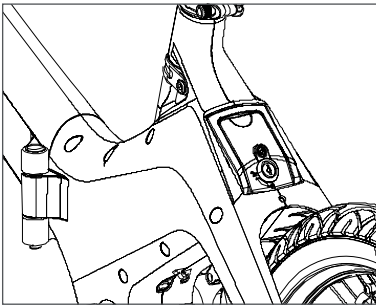
Kolo poganja litij-ionska baterija 36V.

Povprečni čas polnjenja je približno 4-6 ur.

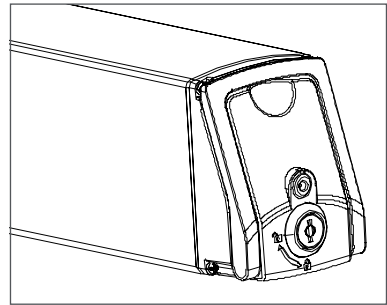
Za čim daljšo življenjsko dobo baterije priporočamo polno polnjenje vsakih trideset dni, tudi če kolesa ne uporabljate.

Priporočamo, da baterijo polnite s posebnim polnilnikom za akumulator po vsaki uporabi kolesa.

**Med polnjenjem sveti rdeča lučka na polnilniku, ko je polnjenje končano, rdeča lučka ugasne in prižge se zelena lučka.**

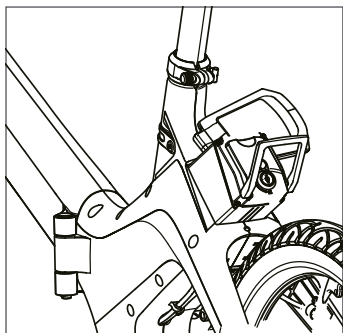


Možnost polnjenja ena: odprite gumijasti pokrovček na polnilnem priključku in napolnite.

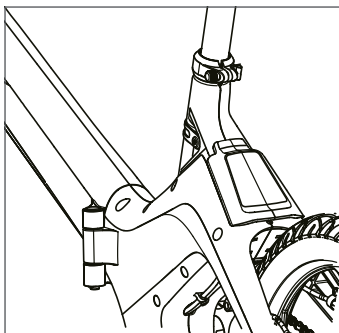


Druga možnost polnjenja: izvlecite baterijo in jo napolnite, ne da bi morali premikati kolo.

## Odstranite in namestite baterijo



1. Izklopite vozilo, odklenite akumulator in nato izvlecite škatlo za akumulator z dvižno ročico, kot je prikazano na sliki.



2. Ko vstavlja baterijo, jo zaklenite s ključem in ključ odstranite, pritisnite ročaj akumulatorja, da je raven, in odkprite okvir kolesa.



### Previdnostni ukrepi med polnjenjem

Vtič vedno najprej priključite na baterijo, nato pa vtič na električno omrežje.

Ko je polnjenje končano, vedno najprej odklopite vtič iz omrežja in nato vtič iz akumulatorja.

Baterijo vedno napolnite do konca.

Vedno uporabljajte originalne napajalnike.

Baterije ne pustite polniti več kot 16 ur.

Vedno polnite v prezračevanem prostoru.

Baterije ne polnite v vročih okoljih.

Ne polnite baterije v bližini vnetljivih tekočin.

Med polnjenjem baterije nikakor ne pokrivajte.

Če baterija oddaja neprijeten vonj, jo takoj izključite iz napajanja in prezračite sobo, ne dotikajte se baterije.

Ko baterije ne uporabljate, jo hranite na hladnem in suhem mestu.

## Priprava na cesto

Pred uporabo kolesa s pomočjo pedala je za zagotovitev učinkovitega "dajanja na cesto" izdelka priporočljivo natančno preveriti vsak del in poskrbeti za ustrezno prilagoditev ustreznih mehanskih komponent, neposredno ali s podporo specializiranih operaterjev, npr. nastavitve in zategovanje krmila in stebila, nastavitve in zategovanje sedeža in sedeža, nastavitve zavor, nastavitve menjalnika, kontrola tlaka v pnevmatikah, mazanje verig in zobnikov, pravilno zategovanje pritrdilnih vijakov in splošni pregled vseh deli. Priporočljivo je, da polaganje cestnih storitev opravi usposobljeno osebje.

## Pnevmatike

Preverite tlak polnjenja pnevmatik glede na vrednosti na rami pnevmatike. Preverite stanje obrabe gume: ne sme biti nobenih ureznin, razpok, tujkov, nenormalnih oteklin, izpostavljenega platna in drugih poškodb.

## Sistem zavor

Delovanje zavor preverite s preskusom zaviranja pri nizki hitrosti (največ 6 km/h) v območju brez ovir, najprej z zadnjo zavoro in nato s sprednjo zavoro.



## Če ste seznanjeni s negativnimi rezultati

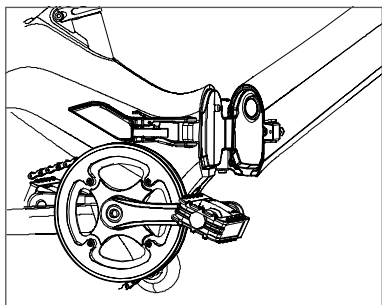
Če med predhodnimi pregledi odkrijete kakršne koli napake in ima celo en sam pregled negativne rezultate, **ne vozite kolesa**.

Takoj aktivirajte vse ukrepe za ustrezno prilagoditev in se po potrebi obrnite na podporo.

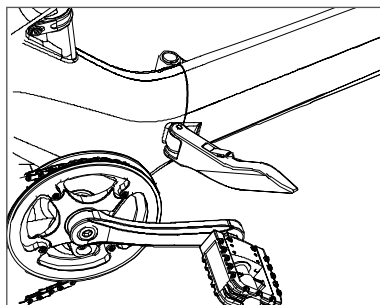


## 7. Hitri začetek

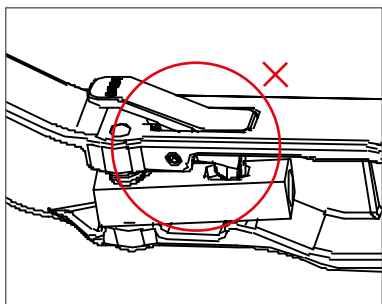
### Odklopite kolo



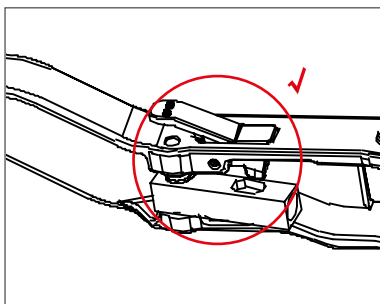
1. Držite ohišje vozila, odvijte okvir.



2. Kot je prikazano na sliki, tesno zaklenite objemko mape, zaključite koraka 3) in 4), preden zaklenete objemko.

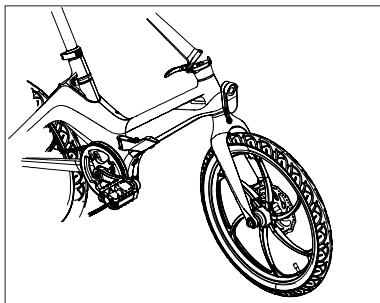


3. Če je pritrdilni element prikazan kot slika, ga pritisnite, da sprostite izbočeni del.

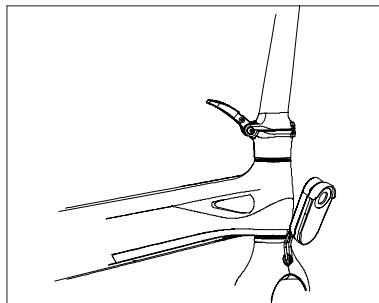


4. Če je pritrdilni element prikazan kot slika, lahko uporabite korak 2), da zaklenete okvir.

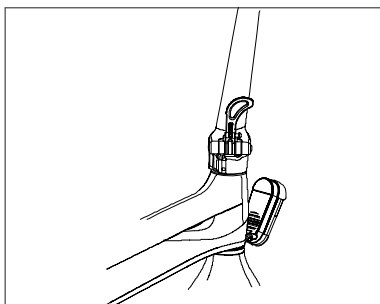
## Odvijte prečko



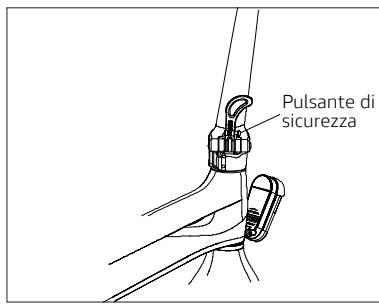
1. Primite ohišje kolesa in obrnite steblo navpično, da zagotovite, da je steblo brezhibno povezano s spodnjo stranjo.



2. Zložljivi ključ pritrdite neposredno v smeri prečke.



3. Rahlo pretresite prečko in preverite, ali je varnostna zaponka popolnoma pripeta.



4. Ko zložite prečko, morate pritisniti varnostno zaponko in nato odpreti zložljivi ključ.

## Namestite krmilo



1. Z imbus ključem M4 odvijte vijak prednje prečke in odstranite sponko.

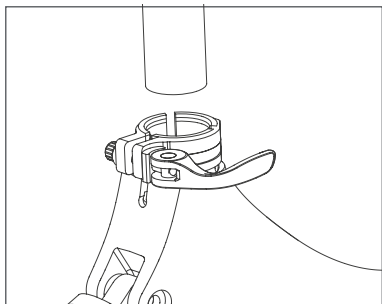


2. Objemko previdno namestite na sredino krmila, nato pa vijake privijte z imbus ključem M4.

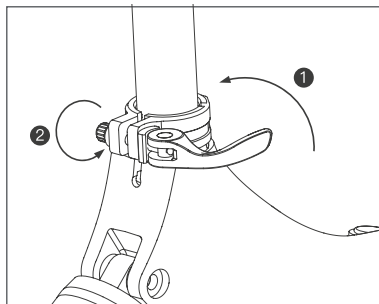


3. Pred vožnjo preverite trdnost in pravilen položaj krmila.

## Sestavljanje sedeža

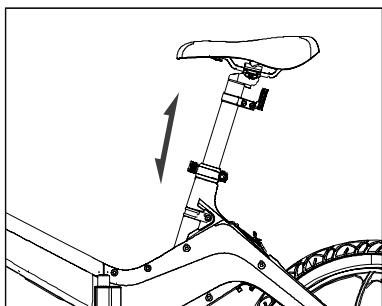


1. Sprostite objemko sedežne opore, kolo držite mirno, vstavite oporo sedeža v okvir.

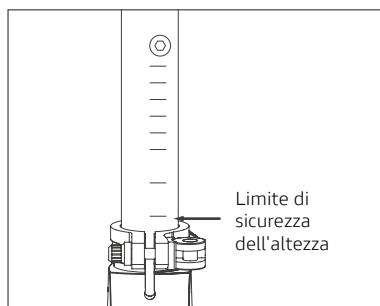


2. Prilagodite vijak, privijte objemko, nato potisnite sedež do polnega nagiba, da zagotovite, da je sedež dovolj tesno zaklenjen in se ne vrti ali premika navzgor in navzdol.

## Nastavitev višine sedla

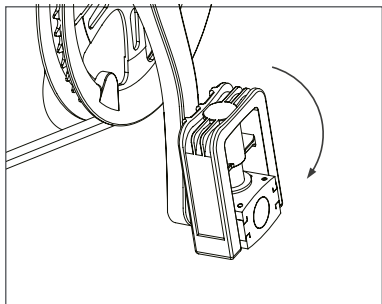


1. Ko morate nastaviti višino sedeža, najprej sprostite objemko sedežne opore, nato premaknite sedežno oporo na želeno višino, privijte objemko sedežne opore.

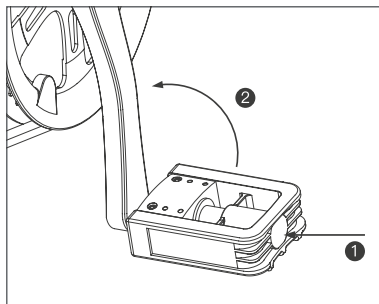


2. Višina sedla ne sme presegati mejne črte najmanjše varnostne višine vložka.

## Odvijte in zložite pedala

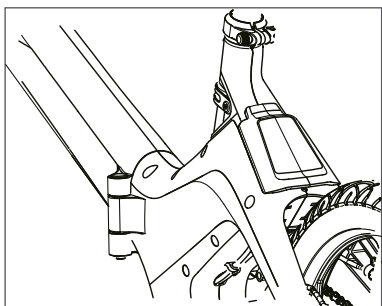


1. Držite ohišje vozila in odvijte pedala.



2. Pritisnite pedal proti ročici in ga zložite.

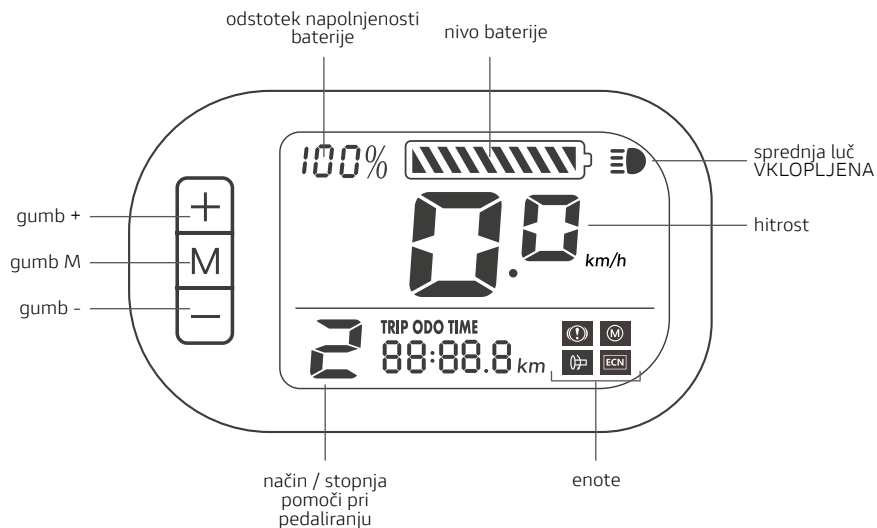
## Delovanje ob vklopu



1. Napolnite baterijo pred prvo vožnjo.

Opomba: Ko je polnjenje končano, pokrijte vtič, da preprečite dovod vode v polnilni priključek.

## 8. LCD zaslon



### Funkcije gumbov:

**Gumb M**: večnamenski gumb, za daljši pritisk 3 sekunde za vklop/izklop kolesa; kratek pritisk, da preklopite prikaz prevoženih kilometrov pri enem potovanju, skupne kilometre in časa delovanja.

**Gumb +**: dolgi pritisk 3 sekunde za vklop/izklop sprednje luči.

**Gumb +**: kratek pritisk za povečanje hitrostnega načina.

**Gumb -**: kratek pritisk za zmanjšanje hitrostnega načina.



Indikator akumulatorja je poln, ko je baterija vašega kolesa s pedalom popolnoma napolnjena. Ko se uporablja kolo, indikator baterije pade na raven. Indikator napolnjenosti baterije lahko niha glede na stopnjo napolnjenosti, kar je odvisno od uporabe kolesa, na primer, če ste na vzponu, lahko raven indikatorja baterije hitro pade, ko porabite veliko več energije baterije svojega kolesa.

**Za zagotovitev optimalne uporabe in vzdrževanja baterije je priporočljivo, da jo po vsaki uporabi popolnoma napolnite.**

## Pomen ikon:



Označuje, da sveti sprednja luč



Označuje, da zavora deluje



Označuje, da ročica za plin ne deluje ali ne deluje pravilno Indicates that



motor ne deluje ali ne deluje pravilno To kaže



krmilnik ne deluje ali ne deluje pravilno

## TRIP ODO TIME

Preklaplajte med kilometrino posameznega potovanja,

88:88.8

skupno kilometrino in časom delovanja

## 9. Prikaz navodil za nastavitve zaslona

1. Hkrati pritisnite + in - za 3 sekunde v nastavitveni vmesnik P0.
2. Obnovite tovarniške nastavitve: Pritisnite + približno 30 sekund v P0 in samodejno bo zapustil nastavitveni način.



### 3. Stikalo za km / miljo:

A. Pritisnite gumb M in preklopite P0 na P1

B. V P1 pritisnite +/- za preklop na Km/miljo. 0 = km, 1 = milja

C. Hkrati pritisnite + in - za izhod iz nastavitvenega načina. Ali pa samodejno zapustite nastavitveni način po 15 sekundah.





4. Rahlo prilagodite hitrost:

A. Pritisnite gumb M in preklopite P0 na P2

P2 lahko le nekoliko prilagodi hitrost, prikazano na zaslonu, dejanske hitrosti pa ne more spremeniti.

B. Pritisnite +/-, da spremenite podatke. Pravilna nastavitev je 15,6 za 16 -palčna kolesa, 18,5 za 20 - palčna kolesa. Večji kot so podatki, večja je prikazana hitrost (ne bo spremenila dejanske hitrosti).



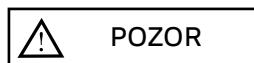
## 10. Navodila za vzdrževanje

**Vsa vzdrževalna dela je treba izvajati z izklopljenim sistemom, odklopljenim akumulatorjem in kolesom na stojalu.**

Po vsakem rutinskem vzdrževanju je priporočljivo preveriti brezhibno delovanje vseh krmilnih elementov.

Ta priročnik ne obravnava podrobnosti o demontaži in rutinskem vzdrževanju, saj mora te operacije vedno izvajati izključno osebje podporne službe vašega pooblaščenega prodajalca emobilnosti Ducati Urban.

Podporna služba vam lahko posreduje vse potrebne informacije in odgovori na vse vaše zahteve glede popolne nege in vzdrževanja vašega kolesa.



### **Preverite za negativne rezultate**

- Če je že en sam pregled negativen, kolesa ne uporabljajte.
- Takoj sprejmite vse ukrepe za izvedbo ustreznega popravila in se po potrebi obrnite na podporo vašega prodajalca.

### **Pranje in čiščenje**

Čiščenje kolesa ni le stvar dekorja, ampak omogoča tudi takojšnje odkrivanje napak na kolesu.

Da ne poškodujete ali poslabšate delovanja različnih sestavnih delov, zlasti električnih, je treba čiščenje izvajati ob upoštevanju nekaterih varnostnih ukrepov. Strogo prepovedano je usmerjanje vodnih curkov pod tlakom proti električnim delom, motorju, zaslonu in bateriji, za katere je priporočljivo pranje z gobico.

Preden zaženete kolo, ga popolnoma posušite s krpo ali papirjem in pazite, da ne opraskate pobarvanih sestavnih delov. Izogibajte se uporabi stisnjenega zraka, zlasti pri bližnji razdalji in visokem tlaku. Preverite, ali na električnih komponentah ni preostale vlage.

### **Mazanje verige**

Pomembno je, da verigo redno mažete, da se izognete prekomerni obrabi in podaljšate njeno življenjsko dobo.

1. Očistite s krpo po celotni dolžini verižnih členov.
2. Razpršite vse člene verige s posebnim mazivom za prenosne verige.

## Preverjanje delov

Nosilni okvir kolesa in zvari morajo biti brez vidnih napak, kot so: razpoke, deformacije, zarezi, korozija itd.

Prepričajte se, da so vsi vijaki in pedala kolesa priviti.

Preverite stanje in pritrditev akumulatorja, rokavi električnih kablov morajo biti v dobrem stanju, sponke pa morajo biti dobro zategnjene in ne korodirane.

Stanje napolnjenosti baterije preverite z indikatorjem na zaslonu krmila.

Za pravilno uporabo akumulatorja v vozilu EPAC priporočamo, da akumulator vedno napolnite po vsaki uporabi kolesa.

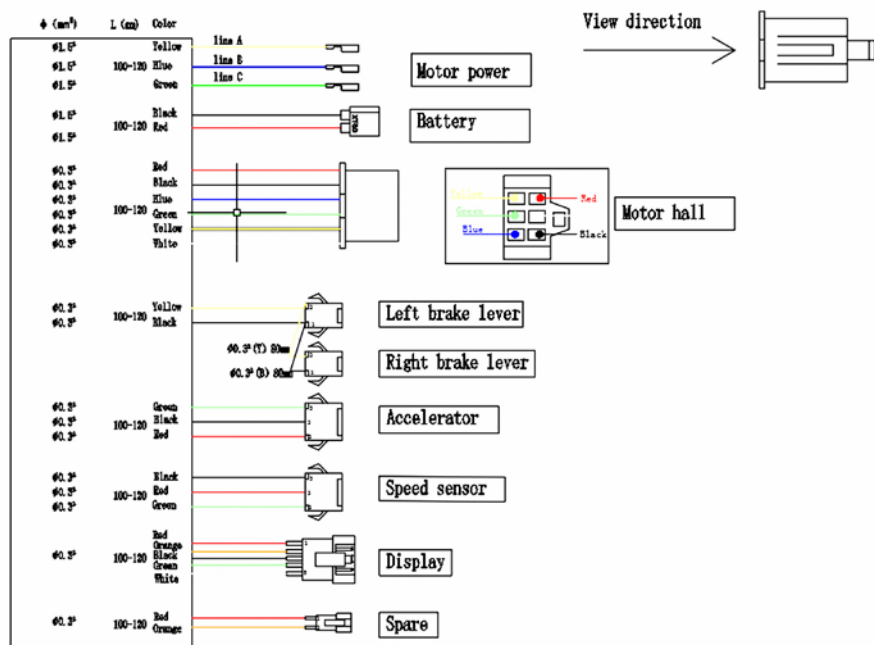
Z ventilom za polnjenje na platiščih preverite tlak v pnevmatikah s pomočjo kompresorja in pištole za merjenje tlaka ali delavniške črpalke.

Preverite stanje tekalne plasti, platišča in pritrditev platišč na pesto. Če morate zamenjati pnevmatike, se obrnite na podporo ali pri pooblaščenem prodajalcu pnevmatik.

Zavore je treba prilagoditi tako, da se zagotovi učinkovito zaviranje, in hkrati pa morajo imeti krmilne ročice obseg, ki zadostuje za modulacijo

# 11. Shema povezav

## 250W Controller



## 12. Odpravljanje težav

Indikator zaslona	Vzroki	Rešitve
Zavore 	Označuje, da je zavora vklopljena	/
	Zavorna ročica se ne vrne v normalen položaj	Nekajkrat pritisnite zavorno ročico, da se vrne. Zamenjajte z novo zavorno ročico
Napaka pospeševalnika 	Brez pospeševalnika	/
	Kabel pospeševalnika, pospeševalnik ali priključek je zlomljen/poškodovan	Zamenjajte z novim kablom, pospeševalnikom
Napaka motorja 	Konektorji med pospeševalnikom in krmilnikom niso dobro povezani	Preverite povezavo
	Motor ne deluje	Zamenjajte z novim motorjem
	Kabli ali priključki so zlomljeni/poškodovani	Zamenjajte z novim kablom
Napaka krmilnika 	Kabel motorja ni dobro priključen ali napačno priključen	Preverite povezavo well
	Krmilnik je pokvarjen	Zamenjajte z novim krmilnikom

## 13. Baterija (opozorila)

### Indikator baterije

Indikator akumulatorja je poln, ko je baterija vašega kolesa popolnoma napolnjena. Ko se kolo uporablja, indikator baterije pade na raven. Indikator napolnjenosti baterije lahko niha glede na stopnjo napolnjenosti, kar je odvisno od uporabe kolesa, na primer, če ste na vzponu, lahko raven indikatorja baterije hitro pade, ko porabite veliko več energije baterije svojega kolo.

Za zagotovitev optimalne uporabe in vzdrževanja baterije je priporočljivo, da jo po vsaki uporabi popolnoma napolnite.

Prepričajte se, da so kolo, polnilnik in polnilna vrata s pomočjo pedala suhi.

Ko se kolo popolnoma napolni, se lučka LED na polnilniku spremeni iz rdeče (polnjenje) v zeleno (polnjenje končano).

Uporabljajte samo originalni polnilnik. Drugi polnilniki lahko poškodujejo napravo in predstavljajo druga potencialna tveganja.

Kolesa ne smete polniti dalj časa. Prekomerno polnjenje skrajša življenjsko dobo baterije in lahko povzroči druga možna tveganja.

Kolo polnite v suhem okolju stran od vnetljivih materialov (npr. Materialov, ki bi lahko eksplodirali), po možnosti pri notranji temperaturi 15–25 °C, vendar nikoli pod 0 °C ali nad +45 °C.

Ne polnite pri neposredni sončni svetlobi ali v bližini ognja.

Kolesa ne polnite takoj po uporabi. Pred polnjenjem pustite, da se kolo ohladi eno uro.

Med polnjenjem nikoli ne puščajte kolesa brez nadzora. Toplotno tveganje! Vtičnice za polnjenje enosmernega toka nikoli ne povežite s kovinskimi predmeti.

Preberite zgornja poglavja o polnjenju in shranjevanju, da zagotovite pravilno vzdrževanje in ravnanje z baterijo. Kolesa ne puščajte v bližini odprtega ognja ali drugih virov toplote, da preprečite pregrevanje baterije. Kolesa ne puščajte izpostavljenega nizkim temperaturam. Tako prekomerna toplota kot mráz lahko izpraznijo baterijo.

Izogibajte se popolnemu praznjenju baterije.

Najbolje je, da napolnite baterijo, dokler je še deloma polna. To podaljša življenjsko dobo baterije.

Če je napolnjenost prenizka, kolesa ni mogoče normalno uporabljati. To lahko povzroči, da kolesar izgubi nadzor ali pade.

Pazite, da se baterija redno polni, tudi če dlje časa ne uporabljate kolesa. To preprečuje poškodbe baterije zaradi nizke napetosti v daljšem časovnem obdobju

## **Varnostni ukrepi za baterije:**

Baterijo sestavljajo litij-ionske celice in kemični elementi, ki so nevarni za zdravje in okolje. Kolesa ne uporabljajte, če oddaja vonjave, snovi ali prekomerno toploto. Kolesa ali baterije ne odstranjujte med gospodinjske odpadke. Končni uporabnik je odgovoren za odlaganje električne in elektronske opreme in baterij v skladu z vsemi veljavnimi predpisi.

### **Čemu se izogniti:**

Ne odpirajte baterije ali razstavljajte, udarjajte ali prebijajte baterije ali lepите predmetov na baterijo. Ne dotikajte se snovi, ki iztekajo iz baterije, saj so lahko nevarne. Ne dovolite otrokom ali hišnim ljubljencem, da se dotikajo baterije.

Ne polnite ali praznite baterije prekomerno. Ne povzročite kratkega stika baterije. Ne potaplajte ali izpostavljajte baterije vodi ali drugi tekočini. Ne izpostavljanje baterije prekomerni vročini ali mrazu.

Ne izpostavljanje baterije okolju, ki vsebuje eksplozivne pline ali odprt plamen.

Baterije ne pustite v dežju ali na neposredni sončni svetlobi ali v vročem avtomobilu na neposredni sončni svetlobi.

Ne ponovno sestavljanje ali ponovno namestite baterije.

Ne nosite ali shranjujte baterijo skupaj s kovinskimi predmeti, kot so lasnice, ogrlice itd. Kolesa ne uporabljajte, ko se kolo polni.

Uporabljajte zgolj originalni polnilec.

## 14. Tehnične specifikacije

### Splošne informacije

Pnevmatike	20 "X 2.125" z odsevnim trakom
Platišča	Magnezijska, 6-spoke
Zavore	Mehanične (diski)
Menjalnik	SHIMANO 6 prestav
Vilice	magnezij
Verižni komplet	verižnik 44T - 6 zobnikov (14-16-18-21-24-28T)
Pedala	plastika, ki jo je mogoče ponovno zapreti
Okvir	magnezij, zložljiv
Maksimalna hitrost	25 km/h
Sedišče	model udobja
Sedežna cev	aluminij
Krmilo	aluminij, zložljivo
Ročaji	guma
Blatnik	plastika
Stojalo	zadaj, stranski model
Zadnji nosilec	not included
Največja obremenitev	110kg

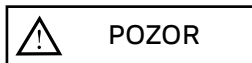
### Električni sistem

Luči	LED prednja
Zaslon	LCD z nivoji pomoči, lučmi za vklop / izklop, števec kilometrov s povezanimi funkcijami
Motor	36V, 250W, IP54, zadnji pogon
Baterija	SAMSUNG 36V, 10.5Ah, 378Wh integrirana v okvir in odstranljiva
Polnilec	vhod: 100-240V, 50-60Hz, 2.5A / izhod: 42V, 2.0A
Čas polnjenja	4/5 ur
doseg	do 50 km je ta številka odvisna od: stopnje uporabljene pomoči, teže kolesarja, mišične moči, ki se izvaja pri vrtenju pedala, pritiska v pnevmatikah, naklona ceste, števila postankov in ponovnih zagonov

### Dimenzije in teža

Teža baterije	2.06kg
Teža brez baterije	18.47kg
Skupna teža.	20.53kg
Dimenzije koles	1510 x 580 x 1070mm
Mere paketa	830 x 420 x 620mm



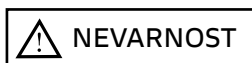


### **Dovoljena hitrost**

Največja dovoljena hitrost, ki jo dovoljuje zakon, je 25 km/h.

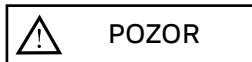
Vsak poseg, ki ga proizvajalec ne odobri na krmilni enoti, pomeni, da proizvajalec ne more biti odgovoren za škodo, povzročeno osebam in/ali stvarim; poleg tega se garancija za kupljeni izdelek razveljavi.

Krmilna enota je programirana tako, da ne dovoljuje sprememb parametra največje hitrosti.

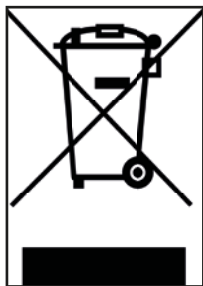


### **Nevarnost poškodb**

Ohranite hitrost in vedenje, ki ustreza vašim zmožnostim, nikoli ne uporabljajte kolesa s hitrostjo nad 25 km/h, saj lahko povzročite resno škodo in telesne poškodbe sebi ali drugim.



**Odstranitev električnih ali elektronskih naprav ob koncu njihove življenjske dobe (velja v vseh državah Evropske unije in v drugih evropskih sistemih z ločenimi sistemi zbiranja) je potrebna.**



Ta simbol na izdelku ali na embalaži označuje, da se izdelka ne sme obravnavati kot običajne gospodinjske odpadke, temveč ga je treba odnesti na ustrezno zbirno mesto za recikliranje električne in elektronske opreme (OEEO).

S pravilnim odstranjevanjem tega izdelka boste pomagali preprečiti morebitne negativne posledice na okolje in zdravje ljudi, ki bi jih sicer lahko povzročilo neustrezno odstranjevanje. Recikliranje materialov pomaga ohranjati naravne vire.

Za podrobnejše informacije o recikliranju tega izdelka se lahko obrnete na lokalno službo za odstranjevanje odpadkov ali prodajalno, kjer ste ga kupili.

V vsakem primeru morate izdelek odstraniti v skladu s predpisi, ki veljajo v državi nakupa.

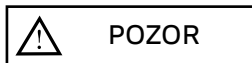
Potrošniki OEEO ne smejo odlagati kot komunalne odpadke, ampak morajo to vrsto odpadkov odlagati ločeno na dva možna načina:

- 1) V občinskih zbirnih centrih, neposredno ali prek zbirnih služb občinskih podjetij, kjer so ti na voljo.
- 2) Na prodajnih mestih, ki prodajajo novo električno in elektronsko opremo.

Tu lahko brezplačno pustite zelo majhno OEEO (z najdaljšo stranjo manj kot 25 cm), večje pa lahko pustite na osnovi 1 na 1, tj. Starega izdelka lahko pustite, ko kupite novega z enako funkcijo.

Če električno ali elektronsko opremo zavržete na nezakonit način, ste lahko podvrženi kazni, ki jih določa veljavna zakonodaja o varstvu okolja (velja samo za Italijo).

Če OEEO vsebuje baterije ali akumulatorje, jih je treba odstraniti in odstraniti s posebnim ločenim zbiranjem odpadkov.



## Odstranjevanje praznih baterij (velja v vseh državah Evropske unije in v drugih evropskih sistemih s sistemom ločenega zbiranja)



Ta simbol na izdelku ali embalaži pomeni, da baterijski paket ne velja za običajni gospodinjiski odpadek. Pri nekaterih vrstah baterij se ta simbol lahko uporablja v kombinaciji s kemičnim simbolom.

Kemični simboli za živo srebro (Hg) ali svinec (Pb) se dodajo, če baterija vsebuje več kot 0,0005% živega srebra ali 0,004% svınca.

Če zagotovite pravilno odstranjevanje baterij, boste preprečili morebitne negativne posledice za okolje in zdravje, ki bi jih sicer lahko povzročilo neustrezno ravnanje z odpadki. Recikliranje materiala bo pomagalo ohranjati naravne vire. Kadar izdelki zaradi varnosti, učinkovitosti ali zaščite podatkov

zahtevajo fiksno povezavo z notranjo baterijo / celico, to sme zamenjati samo usposobljeno servisno osebje.

Po koncu življenjske dobe izdelek odnesite na zbirno mesto, primerno za odlaganje električne in elektronske opreme, s čimer boste zagotovili pravilno odstranjevanje baterije.

Za podrobnejše informacije o odstranjevanju prazne baterije ali izdelka se lahko obrnete na lokalno službo za odstranjevanje odpadkov ali prodajalno, kjer ste jo kupili.

V vsakem primeru je treba izdelek odstraniti v skladu s predpisi, ki veljajo v državi nakupa.

## 15. Garancijski pogoji

Za vse izdelke velja „Pravno jamstvo skladnosti“ v skladu z Direktivo 2011/83 / EU.

Pravno jamstvo je rezervirano za potrošnike. Zato velja samo za uporabnike, ki so opravili nakup za namene, ki niso povezani z nobeno podjetniško, trgovsko, obrtno ali poklicno dejavnostjo.

Za tiste, ki so kupili Izdelke in nimajo kakovosti potrošnikov, jamstvo za napake prodane stvari, jamstvo za pomanjkanje obljubljenih in bistvenih kakovosti in druga jamstva, ki jih civilni zakonik zagotavlja z ustreznimi pogoji, zaseg in omejitve.

Prodajalec (in torej kar zadeva nakup izdelkov, prodajalec na drobno, ki je izdelek prodal uporabniku) je potrošniku odgovoren za kakršno koli neskladnost, ki obstaja v času dobave izdelka in se zgodi v dveh letih od zgoraj navedenega datuma dostave. O neskladnosti je treba prodajalca obvestiti v roku dveh mesecev od datuma, ko je bilo odkrito, pod kaznijo zasega garancije.

Če ni dokazano drugače, se domneva, da je bilo neskladnost, ki se pojavi v šestih mesecih od dobave izdelka, na ta datum že obstajala, razen če ta predpostavka ni združljiva z naravo izdelka ali naravo neskladnosti. Od sedmega meseca po dobavi izdelka bo potrošnik v breme dokazovanja, da je bila neskladnost že ob dobavi izdelka.

Da bi lahko izkoristil pravno garancijo, mora kupec najprej predložiti dokazilo o datumu nakupa in dobave blaga. Zato je priporočljivo, da kupec hrani vse dokumente, ki lahko potrjujejo datum nakupa in dobave (na primer potrdilo, račun, e-pošta s potrditvijo naročila).

Kakršne koli napake ali okvare, ki jih povzročijo naključni dogodki in / ali so posledica odgovornosti kupca ali uporabe izdelka, ki ni v skladu s predvideno uporabo in / ali kot je določeno v tehnični dokumentaciji, priloženi izdelku, ali zaradi neprilagojenosti mehanski deli, naravna obraba materialov, ki se zlahka obrabijo ali so posledica napak pri montaži, pomanjkljivega vzdrževanja in / ali uporabe, ki niso v skladu z navodili

Na primer, iz pravnega jamstva, ki se nanaša na izdelke, velja, da je iz garancije izključeno naslednje:

- škoda zaradi udarcev, nenamernih padcev ali trkov, predrtja;
- škoda zaradi uporabe, izpostavljenosti ali shranjevanja v neprimernem okolju (npr.: prisotnost dežja in / ali blata, izpostavljenost vlagi ali prekomerni vročini, stik s peskom ali drugimi snovmi);
- škoda zaradi neprilagoditve zaradi "postavljanja na cesto" in / ali vzdrževanja mehanskih delov (mehanska kolutna zavora, krmilo, pnevmatike itd.);- l'errata installazione e/o l'errato assemblaggio di parti e/o componenti, fatto salvo il caso in cui l'installazione e/o l'assemblaggio siano stati effettuati dal venditore o sotto la sua responsabilità e/o esse siano state effettuate dal consumatore ma l'errore nella installazione e/o assemblaggio sia imputabile a carenza delle istruzioni di installazione;

-nepravilna namestitvev in / ali nepravilna montaža delov in / ali komponent, razen kadar je namestitvev in / ali montažo izvedel prodajalec ali na njegovo odgovornost in / ali jih je izvedel potrošnik, vendar napaka pri namestitvi in / ali montaža je posledica pomanjkanja navodil za namestitvev;

- naravna obraba potrošnih materialov: mehanska kolutna zavora (npr. blazinice, čeljusti, disk, kabli), pnevmatike, ploščadi, tesnila, ležaji, led luči in žarnice, stojala, gumbi, blatniki, gumijasti deli (ploščad), ožičenje kabelski konektorji, rešetke in nalepke itd .;

- nepravilno vzdrževanje in / ali nepravilna uporaba baterije izdelka;

- poseganje in / ali vsiljevanje delov izdelka;

- nepravilno ali neustrezno vzdrževanje ali spreminjanje izdelka;

- nepravilna uporaba izdelka (npr .: presežna obremenitev, uporaba na tekmovanjih in / ali za komercialne ali najemne dejavnosti);

- vzdrževanje, popravila in / ali tehnične posege na izdelku, ki jih izvajajo nepooblaščen tretje osebe;

- škoda na izdelkih zaradi prevoza, če jo opravi kupec;

- poškodbe in / ali napake zaradi uporabe neoriginalnih delov.

V primeru, da kupljeni izdelek med obdobjem veljavnosti pravne garancije pokaže, da bi lahko prišlo do neskladnosti, mora kupec stopiti v stik s prodajalcem; slednji bo takoj odgovoril na sporočilo o domnevni neskladnosti in navedel poseben postopek, ki ga je treba upoštevati, pri čemer bo upošteval tudi kategorijo, v katero spada izdelek in / ali prijavljena napaka.



## Izjava o skladnosti

M.T. Distribution S.r.l.

Indirizzo: Via Bargellino 10, 40012 Calderara di Reno (BO), Italia

Ta izjava o skladnosti je izdana na izključno odgovornost proizvajalca

Blagovna znamka izdelka	Ducati
Model izdelka	MG-20
Opis izdelka	Electric Bike
Ocena	Izdelek: DC 36V, 250W

Je v skladu z zahtevami direktiv Sveta o približevanju zakonodaje držav članic, ki se nanašajo

Direktiva Sveta 2014/30 / EU o elektromagnetni združljivosti

EU MD 2006/42 / ES

Preskusni standardi:

EN 15194: 2017

EN 55014-1: 2017

EN 61000-3-2: 2014

EN 61000-3-3: 2013

EN 55014-2: 2015

Tovarniško ime: ONEBOT CYCLES Sp.zo.o

Naslov tovarne **Prologis Park Wrocław 1, stavba DC 1 A, Magazynowa 1 ulica, 55-040 Bielany Wroclawskie, Poljska**

Datum:: 07/01/2020

Tehnična dokumentacija je na voljo na sedežu EU

Kraj deklaracije: Bologna, Italija

Ime in priimek: Alessandro Summa Položaj: izvršni direktor

MT DISTRIBUCIJA S.R.L

Via Bargellino 10, 40012, Calderara di Reno (BO), Italija

Pooblaščen oseba: Alessandro Summa

Položaj: izvršni direktor

### OPOMBA:

Ta izjava o skladnosti velja samo za električna kolesa, ki se prodajajo v državah, ki upoštevajo direktive o oznaki CE.

Alessandro Summa

**M.T. DISTRIBUTION SRL**

Via Bargellino, 10 b/c

40012 CALDERARA DI RENO (BO)

FORM FISC: 01119840377

NUMERO UNICO REG. IMB. 0548128

TIMBRO AZIENDALE

# ***MG-20***

Sklopivi električni bicikl

## Uputstvo za korišćenje i održavanje

Pre nego što počnete sa korišćenjem ovog bicikla, morate ga ispravno sastaviti i proveriti sve njegove delove. Bilo kakvo oštećenje pri montaži ili nepravilnom održavanju neće biti pokriveno garancijom.

Za više informacija, tehničku podršku i pomoć obratite se Vašem prodavcu ili posetite veb sajt [www.ducatiurbanemobility.com](http://www.ducatiurbanemobility.com)

1. Uvod
2. Upozorenja o bezbednosti
3. Sadržaj pakovanja
4. Opis bicikla
5. Guranje i prenošenje
6. Za početak
7. Kratko uputstvo za korišćenje
8. LCD displej
9. Uputstva za podešavanje displeja
10. Uputstva za održavanje
11. Šema povezivanja
12. Rešavanje problema
13. Baterija (upozorenja)
14. Tehničke specifikacije
15. Uslovi garancije



# 1. Uvod

## Pregled

Ovo uputstvo je sastavni i neophodni deo bicikla sa pedalama (EPAC) i mora biti obezbeđeno korisniku.

Pre prvog rukovanja biciklom, neophodno je da korisnik pročita, razume i strogo se pridržava sledećih uputstava.

Proizvođač neće biti odgovoran za štetu nanetu osobama i/ili imovini, ili biciklu, ako se on nepravilno koristi na način koji se ne drži datih uputstava.

Obzirom na kontinuirani tehnološki razvoj, proizvođač zadržava pravo da modifikuje bicikl bez prethodne najave i bez automatskog ažuriranja ovog uputstva.

Preporučujemo Vam da posetite [www.ducatiurbanemobility.com](http://www.ducatiurbanemobility.com) gde će biti postavljane ažurirane verzije ovog uputstva.

## Usluga podrške

U slučaju bilo kakvih problema ili zahteva za pojašnjenjima, obratite se servisu za podršku Vašeg ovlašćenog prodavca Ducati Urban e-Mobility-a, koji će Vam obezbediti stručno i specijalizovano osoblje, specifičnu opremu i rezervne delove.

## Grafički oblik upozorenja u vezi bezbednosti

U ovom uputstvu će sledeći grafički simboli biti korišćeni za identifikovanje poruka u vezi bezbednosti. Njihova uloga je da privuku pažnju korisnika, kako bi se obezbedilo ispravno i bezbedno korišćenje ovog bicikla.



## Obratite pažnju

Ističu se pravila ponašanja kako bi se izbeglo oštećenje bicikla i/ili pojava opasnih situacija.



## Rezidualni rizici

Ističe se prisustvo opasnosti koje dovode do rezidualnih rizika, na koje korisnik mora obratiti pažnju kako bi se izbegle povrede ili oštećenje imovine.

## Pravna napomena u vezi korišćenja

Uvek poštujujte zakon o saobraćaju, pravila u vezi saobraćaja i propise koji se odnose na bicikliste u Vašoj zemlji.

## 2. Upozorenja u vezi bezbednosti

### Opšta upozorenja



#### Korišćenje bicikla sa pedalama

Korisnik obavezno mora pročitati ovo uputstvo za korišćenje i održavanje, posebno odeljak sa uputstvima u vezi bezbednosti.



#### Rizici povezani sa korišćenjem bicikla sa pedalama

Uprkos korišćenju bezbednosnih uređaja, da bi se postiglo bezbedno korišćenje bicikla sa pedalama, morate uzeti u obzir sva uputstva za prevenciju nezgoda koja su navedena u ovom priručniku.

Dok vozite bicikl, uvek budite fokusirani i ne potcenjujte rezidualne rizike povezane sa korišćenjem bicikla sa pedalama.

Čak i ako ste ranije vozili ovakav bicikl, morate se pridržavati ovde datih uputstava, kao i opštih mera predostrožnosti koja se moraju poštovati kada se vozi motorizovani bicikl.

#### Odgovornost

Bicikl se mora koristiti sa najvećom mogućom pažnjom i sa punim poštovanjem zakona o saobraćaju i odgovarajućim propisima vezanim za bicikliste koji su na snazi u Vašoj zemlji.

Takođe, korisnik mora održavati bicikl čistim, ispravnim i održanim, strogo sprovoditi provere bezbednosti za koje je korisnik kompetentan, kao što je opisano u odeljku sa upozorenjima i preporukama, kao i čuvati svu dokumentaciju u vezi sa održavanjem ovog uređaja.

Korisnik mora pažljivo procenjivati atmosferske prilike koje mogu vožnju bicikla učiniti opasnom.

U tom cilju preporučujemo smanjenje brzine i održavanje odgovarajućeg puta kočenja u slučaju vožnje u lošim vremenskim prilikama i/ili u uslovima intenzivnog saobraćaja.

## Upozorenje za korisnika

- Zabranjeno je prevoziti drugu osobu.
- Pre vožnje ne konzumirajte alkohol i drogu.
- Ovaj model bicikla je dizajniran za vožnju napolju, na javnim putevima ili na biciklističkim stazama.
- Ne pokušavajte da forsirate bicikl da radi na višim standardima od onih za koje je dizajniran.
- Nikada ne vozite bicikl ako su neki delovi uklonjeni.
- Izbegavajte neravne površine i prepreke.
- Vozite sa obe ruke na upravljaču.
- Zamenite dotrajale i/ili oštećene delove, proverite pre vožnje da li štitnici lanca ispravno funkcionišu.

## Napomene o održavanju

Svi radovi na održavanju se moraju obavljati sa diskonektovanom baterijom.

Tokom svake od faza održavanja, operateri moraju imati neophodnu opremu za sprečavanje nezgoda.

Alat koji se koristi za održavanje mora biti odgovarajući i kvalitetan.

Ne koristite benzin ili zapaljive rastvarače kao što su deterdženti; uvek koristite nezapaljive i netoksične rastvarače.

Ograničite upotrebu komprimovanog vazduha što je više moguće (maks. 2 bara) i nosite zaštitne naočare sa bočnim štitnicima.

Kada nastavljate sa operacijama verifikacije i održavanja, nikada ne koristite otvoreni plamen za osvetljavanje.

Posle bilo kog postupka održavanja ili podešavanja, proverite da li je možda neki alat ili strano telo ostao između pokretnih delova bicikla.



## Originalni rezervni delovi

Koristite isključivo originalne rezervne delove Ducati Urban e-Mobility-a.

Proizvođač neće biti odgovoran za oštećenja ili gubitak funkcionalnosti koji je posledica korišćenja neoriginalnih delova i dodatnog pribora.

## Ostale odredbe

Prvo što treba da uradite kada počinjete sa korišćenjem bicikla je da proverite prisustvo i celovitost štitnika lanca i rad bezbednosnih uređaja.

Ako pronađete bilo kakav defekt, nemojte koristiti bicikl!



## Štitnici lanca

Strogo je zabranjeno modifikovanje ili uklanjanje baterije i štitnika lanca, kao i identifikacionih tablica.

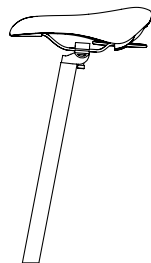
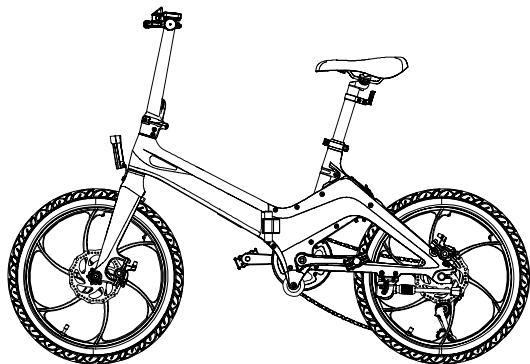
## Skladištenje bicikla

U slučaju dužeg perioda nekorišćenja i potrebe za skladištenjem bicikla, potrebno je sprovesti sledeće:

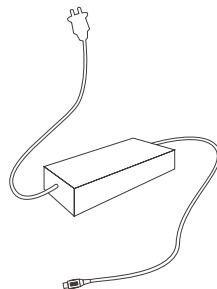
Popravje vršiti na suvom i dobro provetrenom mestu.

- Sprovesti generalno čišćenje bicikla.
- Ukloniti bateriju iz sedišta.
- Ostaviti bicikl na nogari.
- Zaštititi izložene električne kontakte antioksidantnim proizvodima.
- Podmazati sve površine koje nisu zaštićene farbom ili antikorozivnim materijama.

### 3. Sadržaj pakovanja



- Ram bicikla
- Nosač sedišta i sedište
- Punjač
- Zadnje reflektivno svetlo
- Imbus (4mm)
- Prednji branik
- Zadnji branik
- 2 ključa za zaključavanje baterije



## 4. Opis bicikla



1. Sedište
2. Mehanizam za sklapanje
3. Sklapač lule kormana
4. Sigurnosna brava
5. Upravljač
6. Ručica kočnice
7. Prednje svetlo
8. Prednja viljuška
9. Disk kočnica
10. Prednji branik (nalazi se u pakovanju, potrebno ga je montirati)
11. Lanac točka
12. Štitnik lanca točka
13. Veliki lančanik
14. Pedala
15. Nogara
16. Zadnji menjač
17. Motor
18. Zadnji branik (nalazi se u pakovanju, potrebno ga je montirati)
19. Stezaljka nosača sedišta
20. Nosač sedišta
21. Zadnje reflektivno svetlo (nalazi se u pakovanju, potrebno ga je montirati)
22. Serijski broj

## Uslovi korišćenja

Ovaj bicikl je dizajniran i proizveden za vožnju napolju, na javnim putevima i biciklističkim stazama, ali isključivo na asfaltiranim površinama.

Bilo kakvo modifikovanje konstrukcije bicikla može kompromitovati bezbednost i stabilnost bicikla i tako dovesti do nezgode.

Sve druge vrste korišćenja, ili korišćenje van opsega mogućnosti bicikla, nisu u saglasnosti sa korišćenjem bicikla koje je predvideo proizvođač, te stoga proizvođač neće biti odgovoran za bilo kakvu štetu koja proizilazi iz toga.

Vek baterije, te stoga i procenjena pređena kilometraža u km, može značajno varirati u zavisnosti od tipa korišćenja i spoljašnjih uticaja; molimo Vas da uzmete u obzir posebno sledeće faktore uticaja: težinu korisnika, frekvenciju okretanja pedala, nivo asistencije odabran na displeju, prosečnu brzinu, debljinu profila i istrošenost, površinu puta, vremenske prilike.

## Okruženje u kome se bicikl koristi

Ovaj bicikl se može koristiti napolju, i to u slučaju da ne postoje nepovoljne vremenske prilike in the absence of adverse weather conditions (kiša, grad, sneg, jak vetar, itd.)

Maksimalna dozvoljena temperatura: + 40°C

Minimalna dozvoljena temperatura: + 0°C

Maksimalna dozvoljena vlažnost vazduha: 80%

Bicikl se mora koristiti na ravnim, kompaktnim asfaltiranim površinama, bez rupa i udubljenja i bez prepreka i prosutog ulja. Takođe, put na kome se koristi mora biti osvetljen (prirodnim ili veštačkim svetlom), kako bi se obezbedila dobra vidljivost puta i kontrola na biciklu (preporučuje se osvetljenost od 300 do 500 lux ).



## Okruženja u kojima je zabranjeno koristiti

Ovaj bicikl se ne sme koristiti: u oblastima u kojima postoji rizik od požara i eksplozija; u okruženjima sa korozivnom i/ili hemijski aktivnom atmosferom, u slabo osvetljenim okruženjima, na površinama sa nagibom većim od 10%, kao i na neravnim, nepopločanim terenima.

## Nepravilno korišćenje i kontraindikacije

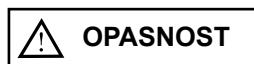
Gore navedene aktivnosti, koje očigledno ne mogu da pokriju ceo spektar potencijalnih vrsta "zloupotrebe" ovog bicikla, smatraće se apsolutno zabranjenim.



### Zabranjene operacije

Izvođenje zabranjenih operacija poništava garanciju.

Proizvođač odbija bilo kakvu odgovornost za štetu nastalu osobama ili imovini, koja je posledica izvođenja zabranjenih operacija.



### Strogo je zabranjeno:

Koristiti ovaj bicikl u svrhe za koje nije namenjen, npr. za prevoz putnika.

Voziti ovaj bicikl u oblastima u kojima postoji opasnost od eksplozije.

Voziti ovaj bicikl u nepovoljnim vremenski prilikama (pljusak, grad, sneg, jak vetar, itd.)

Voziti putnika.

Voziti ovaj bicikl pod uticajem alkohola ili droga.

Voziti ovaj bicikl ako je Vaša težina veća od dozvoljene

Puniti bateriju u pretoplom ili nedovoljno provetrenom okruženju.

Pokrivati bateriju dok se puni.

Pušiti ili koristiti otvoreni plamen u blizini okruženja u kome se puni baterija.

Prolazak ili zaustavljanje na površinama sa nagibom većim od 10% ili na neravnim površinama (nepopločanim, sa rupama, udubljenjima, preprekama, itd.)

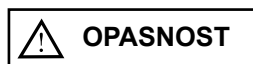
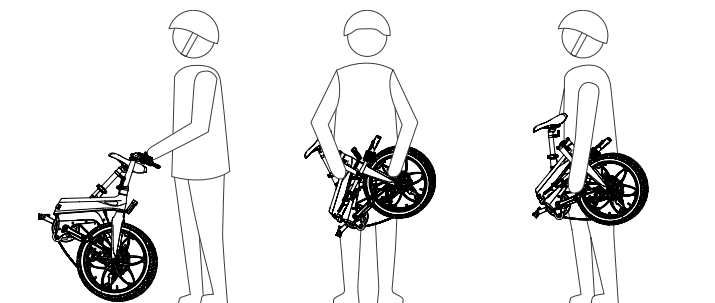
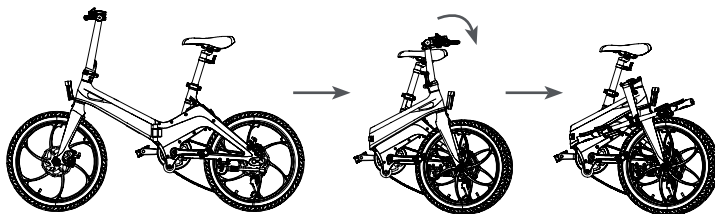
Korišćenje neoriginalnih rezervnih delova.

Zavlačenje delova tela (npr. prstiju) između pokretnih delova bicikla.

Strogo je zabranjeno izvlačenje nosača sedišta preko ograničenja od 10cm, kako bi se izbeglo lomljenje rama bicikla.



## 5. Guranje i prenošenje



### Lomljenje i udarci

U toku podizanja bicikla, postupajte sa izuzetnom pažnjom, kako bi se izbeglo nanošenje štete ljudima i imovini.

Proizvođač neće biti odgovoran za lomove u toku podizanja i/ili transporta bicikla posle isporuke.

Težina ovog bicikla je oko 21kg, tako da se preporučuje da ga nose dve odrasle osobe.

### Transport

Da bi se osigurao visok nivo bezbednosti u toku transporta u kombiju, neophodno je sprečiti pomeranje bicikla. To se postiže oslanjanjem bicikla na nogaru i povezivanjem bicikla trakama ili sidrenim kablovima. Sve ovo mora biti namešteno tako da ne ošteti ram i ostale delove bicikla.

## 6. Za početak

### Punjenje baterije

Pre prvog korišćenja, neophodno je puniti bateriju bar 4 do 6 sati, sve do potpunog punjenja, punjačem koji ste dobili uz bicikl.

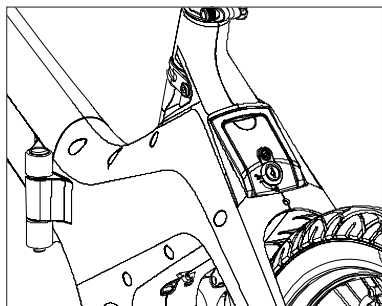
Ovaj bicikl je opremljen 36V litijum-jonskom baterijom.

Prosečno vreme punjenja baterije je oko 4-6 sati. Baterije su litijumske.

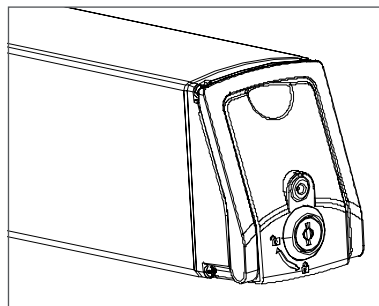
Da biste maksimalno produžili vek baterije, preporučuje se kompletno punjenje jednom u 30 dana, čak i ako se bicikl ne koristi.

Preporučujemo Vam da puniti bateriju posle svakog korišćenja bicikla.

**U toku punjenja svetli crveno svetlo na punjaču, koje se gasi kada se punjenje završi i tada se uključuje zeleno svetlo.**

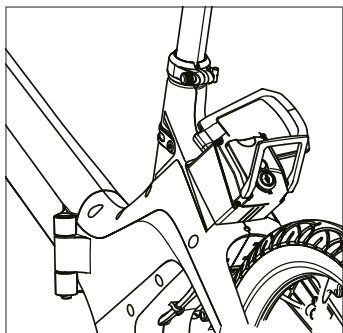


Prva opcija punjenja: otvorite gumeni poklopac na portu za punjenje i puniti bateriju.

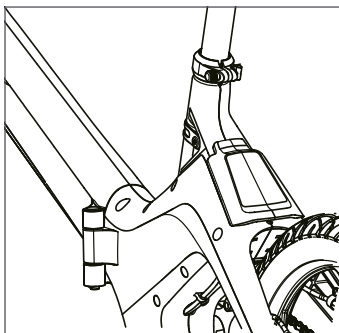


Druga opcija punjenja: izvadite bateriju i napunite je.

## Deinstaliranje i instaliranje baterije



1. Isključite vozilo, otključajte bateriju, a zatim pomoću ručice izvadite kutiju sa baterijom, kao što je prikazano na slici.



2. Kada instalirate bateriju, zaključajte bateriju pomoću ključa i izvadite ključ, pritisnite ručicu baterije tako da bude spljoštena i otvorite ram bicikla.



### OPASNOST

#### Mere predostrožnosti u toku punjenja

Uvek prvo povežite punjač na bateriju, a tek onda ga uključite u napajanje.

Kada je punjenje završeno, uvek prvo iskopčajte kabl punjača iz napajanja, a tek onda iz baterije.

Uvek puniti bateriju do kraja.

Uvek koristite originalni punjač.

Ne ostavljajte bateriju da se puni duže od 16 sati.

Uvek puniti bateriju u dobro provetrenom okruženju.

Nikad nemojte puniti bateriju u okruženju sa previsokom temperaturom.

Ne puniti bateriju u blizini zapaljivih tečnosti.

Ne pokrivajte bateriju u toku punjenja.

Ako iz baterije dopire neprijatan miris, odmah je iskopčajte iz napajanja i provetrite prostoriju, ne dodirujte bateriju.

Kad ne koristite bateriju, držite je na hladnom i suvom mestu.

## Pre korišćenja bicikla

Pre korišćenja bicikla, da biste obezbedili efikasno "puštanje u saobraćaj" ovog proizvoda, preporučuje se da pažljivo proverite svaki deo i obezbedite odgovarajuće intervencije prilagođavanja relativnih mehaničkih komponenata, direktno ili uz podršku specijalizovanih operatera, npr. prilagođavanje i učvršćivanje upravljača, sedišta i nosača sedišta, podešavanje kočnica, provera pritiska u gumama, podmazivanje lanca i menjača, itd. Preporučuje se da sve ove usluge provere obavi kvalifikovano osoblje.

### Točkovi

Proverite pritisak u gumama, pogledajte vrednosti naznačene na gumi. Proverite stanje istrošenosti guma: ne sme biti rezova, pukotina, stranih tela i dr. oštećenja.

### Sistem kočnica

Proverite rad kočnica pomoću testa kočnica pri maloj brzini (maks. 6 km/h) u nekoj zoni bez prepreka, prvo zadnju, a zatim i prednju kočnicu.



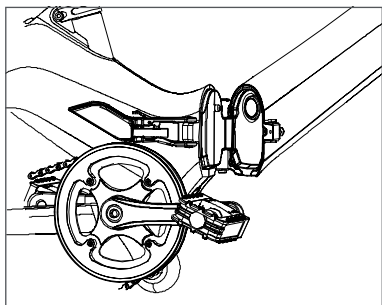
### Ako je provera prošla sa negativnim rezultatom

U slučaju da tokom preliminarnih provera pronađete bilo kakve defekte i da čak i jedna jedina provera ima negativne rezultate, **nemojte voziti bicikl. Odmah aktivirajte sve mere kako biste**

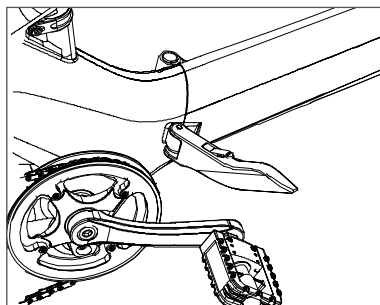
izvršili ispravno prilagođavanje i ako je potrebno, obratite se servisu za podršku.

## 7. Kratko uputstvo za korišćenje

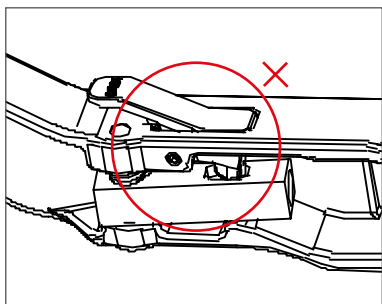
### Otvaranje bicikla



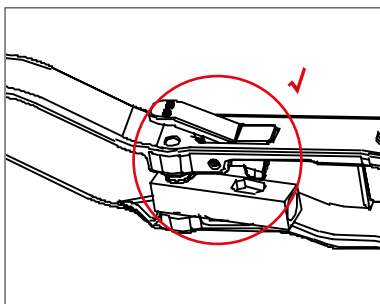
1. Držite telo bicikla, otvorite ram.



2. Čvrsto zaključajte stezaljku mehanizma za sklapanje, kao što je prikazano na slici. Pre zaključavanja stezaljke dovršite korake 3) i 4).

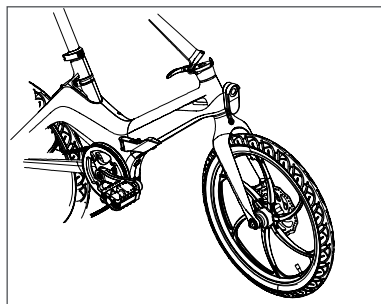


3. Ako se prišvršćivač prikazuje kao na slici, treba da ga pritisnete na dole da bi se oslobodio konveksni deo.

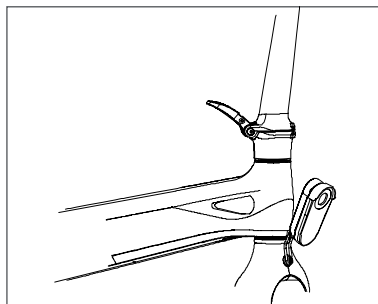


4. Ako se prišvršćivač prikazuje kao na slici, tada pređite na korak 2) da zaključate ram.

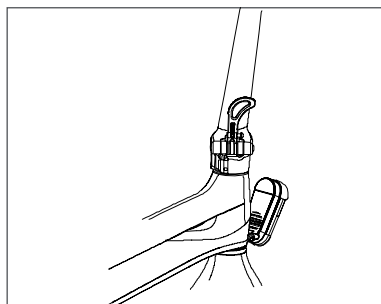
## Otvaranje lule kormana



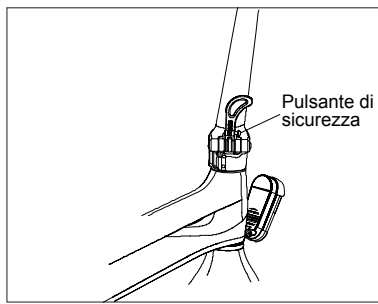
1. Držite telo bicikla i okrenite lulu kormana uspravno, kako biste obezbedili da lula kormana bude savršeno spojena sa donjom stranom.



2. Učvrstite ključ za rasklapanje direktno u pravcu lule kormana.



3. Lagano protresite lulu kormana i proverite da li je sigurnosna kopča u potpunosti učvršćena.



4. Kada zatvarate lulu kormana, treba da pritisnete sigurnosnu kopču, a zatim otvorite ključ za zatvaranje.

## Montiranje upravljača



1. Pomoću M4 imbusa olabavite šraf ispred lule kormana i skinite stezaljku.

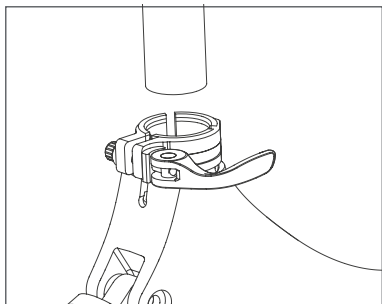


2. Pažljivo postavite stezaljku na sredinu upravljača, a zatim zategnite šrafove pomoću M4 imbusa.

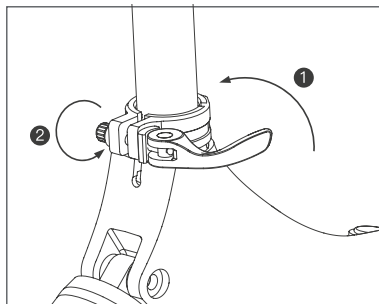


3. Pre vožnje proverite da li je upravljač pravilno postavljen.

## Sastavljanje nosača sedišta

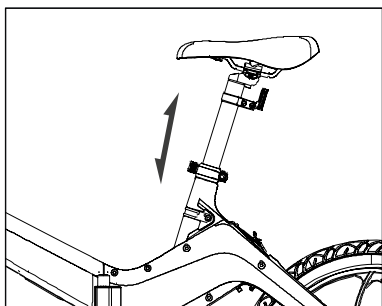


1. Olabavite stezaljku nosača sedišta, držite bicikl u stabilnom položaju, ubacite nosač sedišta u ram.

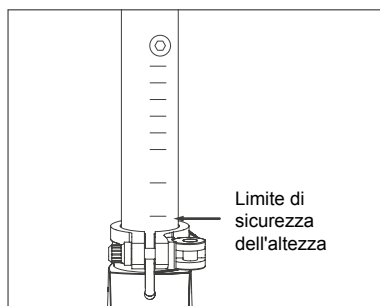


2. Podesite šraf, zategnite stezaljku, zatim pritisnite sedište pri punom nagibu, kako biste obezbedili da nosač sedišta bude dovoljno učvršćen i da se ne okreće i pomera gore-dole.

## Podešavanje visine nosača sedišta



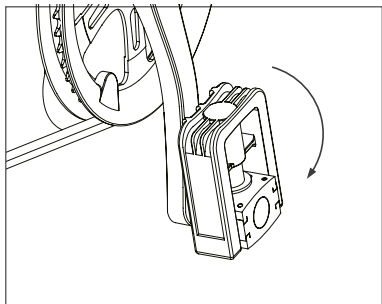
1. Kada podešavate visinu sedišta, prvo olabavite stezaljku nosača sedišta, zatim pomerite nosač sedišta na željenu visinu i na kraju učvrstite stezaljku nosača sedišta.



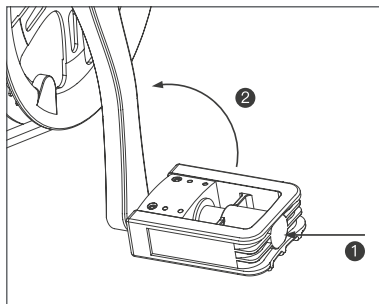
2. Visina sedišta ne sme preći liniju granice bezbedne visine.



## Zatvaranje i otvaranje pedala

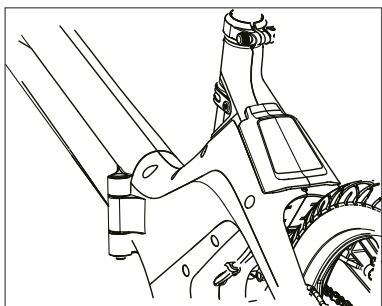


1. Držite telo bicikla i otvorite pedale.



2. Pritisnite pedalu u pravcu ručice i savijte je.

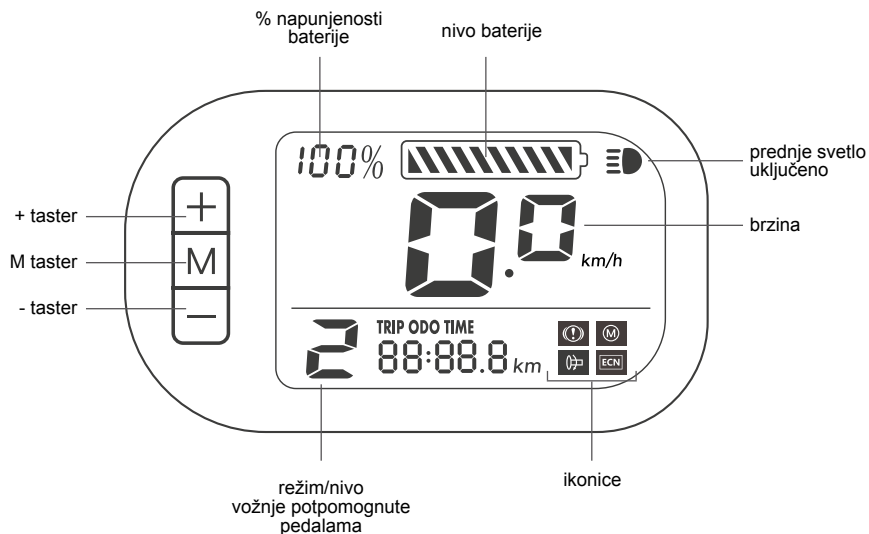
## Uključivanje



1. Napunite bateriju pre prve vožnje.

Napomena: Kada je punjenje završeno, zatvorite utičnicu, kako biste izbegli prodiranje vode u port za punjenje.

## 8. LCD displej



### Funkcije tastera:

**Taster M** : multifunkcijski taster, pritisnite i zadržite na 3 sekunde da uključite/isključite bicikl (ON/ OFF); kratko pritisnite za prebacivanje displeja između kilometraže jednog putovanja, ukupne kilometraže i vremena vožnje.

**Taster +** : pritisnite i zadržite na 3 sekunde da uključite/isključite prednje svetlo.

**Taster +** : kratko pritisnite da povećate režim brzine.


**Taster -** : kratko pritisnite da smanjite režim brzine.




Indikator baterije ima sve crtice kada je baterija Vašeg bicikla napunjena do kraja. U toku korišćenja bicikla nivo indikatora baterije opada. Nivo indikatora baterije može fluktuirati u zavisnosti od korišćenja bicikla, npr. ako ste na nekom nagibu, nivo indikatora baterije može brzo opasti, jer trošite više energije baterije.


**Da biste obezbedili optimalno korišćenje i održavanje baterije, preporučuje se punjenje baterije do kraja posle svakog korišćenja bicikla.**


## Značenje ikonica:

 Uključeno je prednje svetlo

 Kočnica radi

 Gas ne radi ili ne radi ispravno

 Motor ne radi ili ne radi ispravno

 Kontroler ne radi ili ne radi ispravno

## TRIP ODO TIME

88:88.8

Prebacivanje između kilometraže pojedinačnog putovanja, ukupne kilometraže i vremena vožnje

## 9. Podešavanja displeja

1. Istovremeno pritisnite na 3 sekunde + i - da se pojavi ekran podešavanja P0.
2. Povratak na fabrička podešavanja: pritisnite + na oko 30s na P0 ekranu i automatski ćete izaći iz režima podešavanja.



3. Prebacivanje između kilometara i milja:

- A. Pritisnite taster M i prebacite se sa P0 na P1
- B. Na ekranu P1, pritisnite +/- da se prebacujete između Km/Milja. 0=Km, 1=Milje
- C. Pritisnite istovremeno + i - da izađete iz režima podešavanja. Ili automatski izađite iz režima podešavanja posle 15s.



#### 4. Neznatno podešavanje brzine:

A. Pritisnite taster M i prebacite se sa P0 na P2

Na P2 možete samo neznatno podesiti brzinu prikazanu na displeju, ne možete promeniti stvarnu brzinu.

B. Pritisnite +/- da izmenite podatke. Ispravno podešavanje je 15.6 za 16-inčne točkove, 18.5 za 20- inčne točkove. Što je podataka veći, to je veća brzina na displeju (stvarna brzina se neće promeniti).



## 10. Uputstva o održavanju

**Svi postupci održavanja se moraju sprovesti sa isključenim biciklom, diskonektovanom baterijom i biciklom oslonjenom na nogaru.**

Posle svake rutinske operacije održavanja preporučuje se provera funkcionisanja svih kontrola.

Ovaj priručnik ne donosi detalje u vezi rastavljanja i održavanja koje nije rutinsko, jer ove operacije mora sprovesti isključivo osoblje servisa za podršku ili ovlašćeni Ducati Urban e-Mobility prodavac.

Servis za podršku će Vam obezbediti sve potrebne informacije i odgovoriće na sve Vaše zahteve u vezi održavanja Vašeg bicikla.



### **Ako je provera prošla sa negativnim rezultatom**

- Ako čak i jedna jedina provera ima negativne rezultate, **nemojte voziti bicikl**.
- Odmah aktivirajte sve mere kako biste izvršili odgovarajuću opravku i ako je potrebno, obratite se servisu za podršku

### **Čišćenje**

Čišćenje bicikla nije samo stvar pristojnosti, već omogućava i da odmah uočite bilo kakav defekt na biciklu.

Da ne biste oštetili ili ugrozili rad različitih komponentata, posebno električnih delova, čišćenje se mora sprovesti uz određene mere predostrožnosti. Strogo je zabranjeno usmeravati mlazove vode pod pritiskom ka električnim delovima, motoru, displeju i bateriji (preporučuje se pranje sušferom).

Pre vožnje bicikla potpuno ga osušite krpom ili papirnim ubrusom, pazeći da ne ogrebetе obojene komponente. Izbegavajte korišćenje komprimovanog vazduha, posebno iz blizine i pod pritiskom.

Proverite da li je možda na električnim komponentama preostalo nešto vlage.

### **Podmazivanje lanca**

njegov vek.

1. Očistite krpom karike lanca celom dužinom.
2. Isprskajte sve karike lanca specijalnim sprejem za podmazivanje transmisionih lanaca.

## Provera delova

Na nosećem ramu bicikla i varovima ne smeju postojati vidljivi defekti kao što su pukotine, deformacije, urezi, korozija i slično.

Proverite da li su svi zavrtnji i pedale na biciklu ispravno učvršćeni.

Proverite stanje i pričvršćenost baterije, izolacija električnih kablova mora biti u dobrom stanju, a terminali baterije moraju biti dobro učvršćeni i bez korozije.

Pomoću indikatora baterije na displeju upravljača proverite stanje napunjenosti baterije.

Za ispravno korišćenje baterije bicikla preporučuje se njeno punjenje posle svake vožnje.

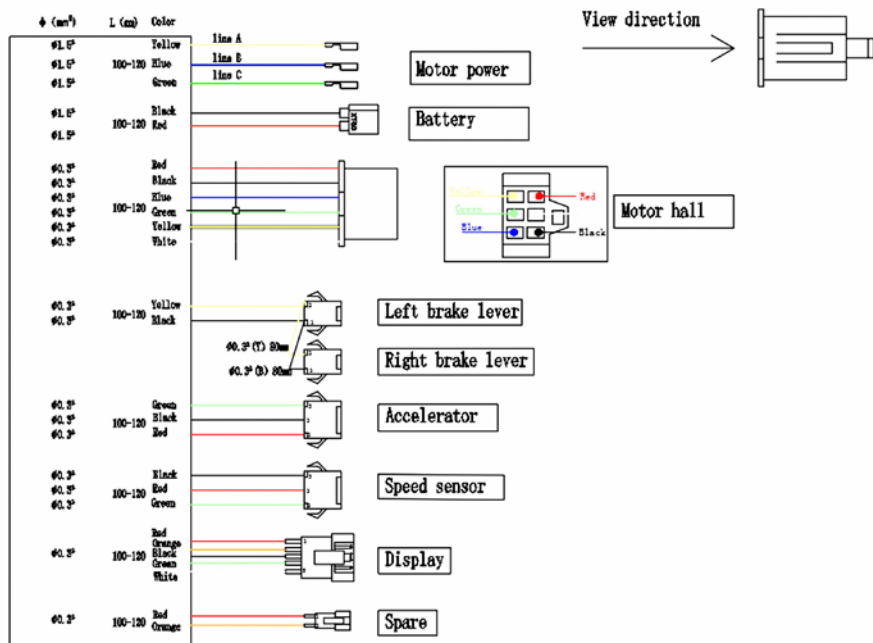
Pomoću ventila za naduvavanje na felnama proverite pritisak u gumama pomoću kompresora i pištolja za merenje pritiska ili pumpe u radionici.

Proverite stanje profila, felne i pričvršćenost felni za paok. Ako treba da zamenite gume, obratite se servisu za podršku ili kvalifikovanom prodavcu guma.

Kočnice se moraju podesiti tako da obezbeđuju efikasno kočenje i istovremeno kontrolne ručice moraju imati opseg koji je dovoljan za modulaciono kočenje: drugim rečima, kočnice ne smeju biti ni previše labave, ni previše čvrste.



# 11. Šema povezivanja

## 250W Controller





## 12. Rešavanje problema

Indikator na displeju	Razlozi	Rešenja
Kočnica 	Prikazuje da kočnica radi	/
	Ručica kočnice se ne vraća u normalan položaj	Pritisnite ručicu kočnice nekoliko puta kako bi se vratila u normalan položaj. Zamenite ručicu kočnice
Greška u akceleratoru 	Bez akceleratora	/
	Kabl akceleratora, akcelerator ili konektor su pokvareni/	Zamenite kabl, akcelerator
Greška u motoru 	Konektori između akceleratora i kontrolera nisu dobro povezani	Povežite na ispravan način
	Motor ne radi	Zamenite motor
	Kablovi ili konektor je pokvaren/oštećen	Zamenite kabl
Greška u kontroleru 	Kabl senzora motora nije dobro povezan ili je pogrešno povezan	Povežite na ispravan način
	Kontroler je pokvaren	Zamenite kontroler

## 13. Baterija (upozorenja)

### Indikator baterije

Indikator baterije se prikazuje kao pun kada je baterija Vašeg bicikla napunjena do kraja. U toku korišćenja bicikla, nivo indikatora baterije opada. Nivo indikatora baterije može fluktuirati u zavisnosti od korišćenja bicikla, npr. ako ste na nekom nagibu, nivo indikatora baterije može brzo opasti, jer trošite više energije baterije.

Da biste obezbedili optimalno korišćenje i održavanje baterije, preporučuje se punjenje baterije do kraja posle svakog korišćenja bicikla.

Proverite da li su bicikl, punjač i port za punjač suvi.

Kada je baterija bicikla napunjena do kraja, LED svetlo na punjaču se menja iz crvenog (punjenje u toku) do zelenog (punjenje završeno).

Koristite samo originalni punjač. Korišćenje drugih punjača može oštetiti uređaj i predstavljati potencijalni rizik.

Bateriju ne treba puniti duže nego što je potrebno. Prekomerno punjenje skraćuje vek baterije i može dovesti do potencijalnih rizika.

Punite bateriju u suvom okruženju, daleko od zapaljivih materija (npr. materija koje mogu buknuti), poželjno na temperaturama između 15-25°C, ali nikada ispod 0°ili iznad + 45°C.

Ne punite bateriju na direktnom sunčevom zračenju, ni u blizini plamena.

Nemojte puniti bateriju neposredno posle korišćenja bicikla. Ostavite ga da se ohladi oko 1 sat pre punjenja.

Nikad ne ostavljajte bicikl da se puni bez nadzora. Toplotni rizik! Nikad ne spajajte utičnicu sa metalnim predmetima.

Pročitajte gornje odeljke o punjenju i skladištenju kako biste obezbedili ispravno održavanje i rukovanje baterijom. Keep the pedal-assisted bicycle away Držite bicikl podalje od otvorenog plamena ili drugih toplotnih izvora, kako biste sprečili pregrevanje baterije. Ne izlažite bicikl ekstremno niskim temperaturama. I prekomerna toplota i ekstremna hladnoća mogu isprazniti bateriju.

Izbegavajte kompletno pražnjenje baterije.

Najbolje je puniti bateriju kada ona još uvek nije ispražnjena do kraja, što produžava vek baterije.

Kada je punjenje baterije premalo, nemoguće je normalno voziti. To može dovesti do gubitka kontrole od strane vozača i pada.

Obezbedite da se baterija puni u pravilnim razmacima, čak i ako ne koristite bicikl u toku dužeg vremenskog perioda. Tako ćete sprečiti oštećenje baterije izazvano slabim punjenjem u toku dužeg vremenskog perioda.

### **Mere predostrožnosti u vezi baterije:**

Baterija je proizvedena od litijum-jonskih ćelija i hemijskih elemenata opasnih po zdravlje i okruženje. Ne koristite bicikl ako emituje mirise, neke supstance ili if it emits odours, substances or prekomernu toplotu. Nemojte odlagati bicikl ili bateriju zajedno sa kućnim otpadom. Za odlaganje električnog i elektronskog otpada i baterija u skladu sa svim propisima odgovoran je krajnji korisnik.

### **Šta treba izbegavati:**

Otvaranje i rastavljanje baterije, udaranje, bacanje ili bušenje baterije, guranje predmeta u bateriju.

Dodirivanje supstanci koje cure iz baterije. Dodirivanje baterije od strane dece i kućnih ljubimaca.

Prekomerno punjenje, prekomerno pražnjenje, izazivanje kratkog spoja na bateriji. Uranjanje baterije u vodu ili drugu tečnost, izlaganje baterije vodi ili drugoj tečnosti. Izlaganje baterije prekomernoj toploti ili hladnoći.

Izlaganje baterije okruženju koje sadrži eksplozivne gasove ili vatru.

Izlaganje baterije kiši i direktnom sunčevom zračenju.

Ponovno sastavljanje ili ponovno postavljanje baterije.

Nošenje ili skladištenje baterije zajedno sa metalnim predmetima kao što su ukosnice, ogrlice i sl.Vožnja bicikla u toku punjenja.

Korišćenje bilo kog drugog punjača osim originalnog.

## 14. Tehničke specifikacije

### Opšte informacije

Gume	20 "X 2.125" sa reflektujućom trakom
Felne	magnezijumske, 6 paoka
Kočnice	mehaničke disk
Menjač	SHIMANO 6 brzina
Viljuška	magnezijumska
Set lanaca	lanac 44T - 6 zupčanika (14-16-18-21-24-28T)
Pedale	plastične, mogu se otvoriti i zatvoriti
Ram	magnezijumski, sklopivi
Maksimalna brzina	25 km/h
Sedište	udobni model
Nosač sedišta	aluminijumski
Upravljač	aluminijumski, sklopivi
Drške	gumene
Blatobran	plastični
Nogara	zadnja bočna
Zadnji nosač	nije uključen
Maksimalno opterećenje	110kg

### Električni sistem

Svetla	LED prednje
Displej	LCD sa nivoima pomoći, ON / OFF svetla, odometar sa povezanim funkcijama
Motor	36V, 250W, IP54, zadnji
Baterija	SAMSUNG 36V, 10.5Ah, 378Wh integrisana u okvir, odvojiva
Punjač	ulaz: 100-240V, 50-60Hz ,2.5A / izlaz: 42V, 2.0A
Vreme punjenja	4/5 sati
Autonomija	do 50 km, ovaj broj zavisi od: nivoa pomoći koji se koristi, težine vozača, mišićne snage primenjene pri okretanju pedala, pritiska u gumama, nagiba puta, broja zaustavljanja i ponovnog pokretanja.

### Dimenzije i težine

Težina baterije	2.06kg
Težina bez baterije	18.47kg
Ukupna težina	20.53kg
Dimenzije	1510 x 580 x 1070mm
Dimenzije pakovanja	830 x 420 x 620mm

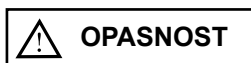


### **Dozvoljena brzina**

Maksimalna zakonski dozvoljena brzina je 25 km/h.

Bilo kakve intervencije na kontrolnoj jedinici koje nije odobrio proizvođač značiće da proizvođač neće biti odgovoran za bilo kakvu štetu izazvanu ljudima i/ili imovini; u tom slučaju garancija će biti poništena.

Kontrolna jedinica je programirana da ne dozvoli promene parametra maksimalne brzine.

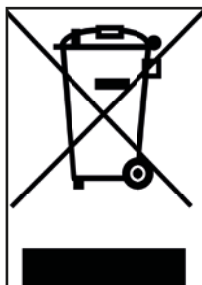


### **Rizik od povrede**

Održavajte brzinu i ponašajte se u skladu sa svojim mogućnostima. Nikada ne vozite bicikl brzinom većom od 25 km/h, jer u suprotnom možete izazvati ozbiljna oštećenja i povrede, kako aše, tako i drugih ljudi.



**Odlaganje elektronskog ili električnog uređaja na kraju veka uređaja (primenjuje se u svim zemljama EU i drugim evropskim zemljama koje poseduju sistem za razvrstavanje otpada)**



Ova oznaka na proizvodu ili pakovanju označava da proizvod ne sme biti odlagan zajedno sa kućnim otpadom, već se mora odneti do objekta ovlašćenog za odlaganje električnog i elektronskog otpada (WEEE).

Ispravnim odlaganjem ovog proizvoda pomažete sprečavanje mogućih negativnih uticaja na okolinu i ljudsko zdravlje. Recikrirani materijali će pomoći očuvanju prirodnih resursa.

Za detaljnije informacije o recikliranju ovog proizvoda obratite se lokalnom servisu za odlaganje otpada ili prodavnici u kojoj ste kupili uređaj.

U svakom slučaju je neophodno da odložite proizvod u skladu sa propisima koji su na snazi u zemlji kupovine.

Konkretno, potrošači neće odlagati WEEE kao komunalni otpad, već će ovu vrstu otpada odlagati

odvojeno, na jedan od sledećih načina:

- 1) Odošenjem otpada u lokalne centre za prikupljanje, direktno ili preko servisa za prikupljanje.
- 2) Odošenjem otpada u prodavnice koje prodaju novu električnu i elektronsku opremu.

Ako WEEE sadrži baterije i akumulatore, oni se moraju ukloniti i odlagati zasebno.



**Tretman istrošenih baterija (primenjuje se u svim zemljama EU i drugim evropskim zemljama koje poseduju sistem za razvrstavanje otpada)**



Ovaj simbol na proizvodu ili pakovanju označava da baterija ne treba da se tretira kao obični kućni otpad. Kod nekih tipova baterija ovaj simbol može biti korišćen u kombinaciji sa nekim hemijskim simbolom.

Hemijski simboli žive (Hg) ili olova (Pb) se dodaju ako baterija sadrži više od 0.0005% žive ili 0.004% olova.

Ispravnim odlaganjem baterija pomažete sprečavanje mogućih negativnih uticaja na okolinu i ljudsko zdravlje. Reciklirani materijali će pomoći očuvanju prirodnih resursa. Tamo gde iz razloga bezbednosti, učinka ili zaštite podataka proizvodi zahtevaju fiksnu vezu sa unutrašnjom baterijom, zamenu baterije vrši samo kvalifikovano osoblje.

Proizvod na kraju veka isporučite do punktova za prikupljanje otpada: tako ćete obezbediti da i baterija unutar uređaja bude ispravno odložena.

Za detaljnije informacije o odlaganju istrošenih baterija obratite se lokalnom servisu za odlaganje otpada ili prodavnici u kojoj ste kupili uređaj.

U svakom slučaju je neophodno da odložite proizvod u skladu sa propisima koji su na snazi u –zemlji kupovine.

## 15. Uslovi garancije

Svi proizvodi su pokriveni "Pravnom garancijom usaglašenosti" u skladu sa ktivom 2011/83/EU.

Pravna garancija je rezervisana za potrošače, te se stoga odnosi samo na korisnike koji su izvršili kupovinu u svrhe koje nisu povezane sa sprovođenjem bilo kakve preduzetničke, komercijalne, zanatske ili profesionalne aktivnosti.

Za one koji su kupili Proizvode i koji nemaju kvalitet potrošača, garanciju za nedostatke prodate stvari, garanciju za nedostatak obećanog i suštinskog kvaliteta i ostale garancije predviđene građanskim zakonikom sa relativnim uslovima, biće primenjeno oduzimanje i ograničenja.

Prodavac (i, prema tome, što se tiče kupovine Proizvoda, prodavac na malo koji je prodao proizvod korisniku) je odgovoran potrošaču za bilo koji nedostatak usaglašenosti koji postoji u trenutku isporuke proizvoda i koji se dogodi u roku od dve godine od pomenutog datuma isporuke. Neusaglašenost se mora prijaviti prodavcu, pod kaznom oduzimanja garancije, u roku od dva meseca od dana kada je otkrivena.

Ako se drugačije ne dokaže, pretpostavlja se da je nedostatak usaglašenosti koji se javlja u roku od šest meseci od isporuke proizvoda već postojao na taj datum, osim ako je ova pretpostavka nekompatibilna sa prirodom proizvoda ili prirodom nedostatka usaglašenosti. Počev od sedmog meseca nakon isporuke proizvoda, na potrošaču je teret da dokaže da je nedostatak usaglašenosti već postojao prilikom isporuke istog.

Da bi iskoristio zakonsku garanciju, kupac mora prvo pružiti dokaz o datumima kupovine i isporuke robe. Zbog toga je preporučljivo da kupac čuva sve dokumente koji mogu potvrditi datume kupovine i isporuke (na primer: račun, račun, e-mail sa potvrdom narudžbine).

Bilo koji nedostaci ili kvarovi nastali usled slučajnih događaja i / ili koji se pripisuju odgovornosti Kupca ili upotrebom Proizvoda koji nije u skladu sa namerom i / ili kako je predviđeno u tehničkoj dokumentaciji priloženoj uz Proizvod, ili usled neprilagođavanja mehanički delovi, prirodno habanje materijala koji se lako troše ili su uzrokovani greškama u montaži, neodržavanjem i / ili upotrebom istih, a koji nisu u skladu sa uputstvima.

Na primer, sledeće će se smatrati izuzetima iz pravne garancije relevantne za Proizvode:

- oštećenja nastala usled udara, slučajnih padova ili sudara, bušenja;
- oštećenja nastala usled korišćenja, izlaganja ili skladištenja u neodgovarajućem okruženju (npr: kiša i/ili blato, izlaganje vlazi ili prekomernoj toploti, kontakt sa peskom ili dr. supstancama);
- oštećenja nastala neprilagođavanjem uslovima puta i/ili održavanjem mehaničkih delova (mehanička disk kočnica, upravljač, gume, itd.); - Nepravilne instalacije i/ili nepravilnog sastavljanja delova i/ili komponenata, osim u slučaju da je instalaciju i/ili sastavljanje sproveo prodavac ili neko odgovoran prodavcu i/ili ih je sproveo kupac, ali se greška u instalaciji i/ili sastavljanju pripisuje nedostatku uputstava za instalaciju;
- Prirodno habanje potrošnih materijala: mehaničke disk kočnice (npr. jastučići, kaliperi, disk, kablovi), gume, platforme, z aktivke, ležajevi, LED svetla i sijalice, nogare, dugmad, blatobrani, gumeni delovi (platforma), konektori kablova, rešetke, nalepnice, itd;



- Nepravilno održavanje i/ili nepravilno korišćenje baterije Proizvoda;
- Neovlašćeno rukovanje i/ili forsiranje delova Proizvoda;
- nepravilno ili neadekvatno održavanje ili promena Proizvoda;
- Nepravilno korišćenje Proizvoda (npr: preveliko opterećenje, korišćenje na takmičenjima i/ili za komercijalne aktivnosti ili usluge iznajmljivanja);
- Održavanje, popravke i/ili tehničke intervencije na Proizvodu sprovedene od neovlašćene treće strane;
- Oštećenje Proizvoda nastalo usled transporta koji je sproveo Kupac;
- Oštećenje i/ili defekti nastali usled korišćenja neoriginalnih rezervnih delova.

U slučaju da kupljeni Proizvod tokom perioda važenja Pravne garancije otkrije šta može biti neusklađenost, Kupac mora kontaktirati prodavca; potonji će odmah odgovoriti na saopštenje o navodnom nedostatku usaglašenosti, naznačujući određeni postupak koji treba slediti, takođe uzimajući u obzir kategoriju kojoj proizvod pripada i/ili prijavljeni nedostatak.



## Deklaracija o usaglašenosti

M.T. Distribution S.r.l.

Indirizzo: Via Bargellino 10, 40012 Calderara di Reno (BO), Italia

Ova izjava o usaglašenosti izdaje se na isključivu odgovornost Proizvođača

Brend proizvoda	Ducati
Model proizvoda	MG-20
Opis proizvoda	Electric Bike
Rating	Proizvod: DC 36V, 250W

U skladu je sa zahtevima smernica Saveta o približavanju zakona država članica koje se odnose na EU Council Directive 2014/30/EU Electromagnetic Compatibility EU MD 2006/42/EC

Test Standards :

EN 15194: 2017

EN 55014-1: 2017

EN 61000-3-2: 2014

EN 61000-3-3: 2013

EN 55014-2: 2015

Naziv fabrike: ONEBOT CYCLES Sp.zo.o

Adresa fabrike: **Prologis Park Wrocław 1, building DC 1 A, Magazynowa 1 street, 55-040 Bielany Wrocławskie, Poland**

Datum:: 07/01/2020

Tehnički fajl dostupan u sedištu EU

Mesto Deklaracije: Bologna, Italy

Ime i prezime: Alessandro Summa

Position: CEO

MT Distribution S.r.l.

Via Bargellino 10, 40012, Calderara di Reno (BO), Italia

Ovlašćena osoba: Alessandro Summa

Pozicija: CEO

### NAPOMENA:

Ova izjava o usaglašenosti se primenjuje samo na električne bicikle prodate u zemljama koje slede CE marking direktive.

Alessandro Summa

M.T. DISTRIBUTION SRL  
Via Bargellino, 10 b/c  
40012 CALDERARA DI RENO (BO)  
FIRM FISC: 01179840377  
NOME COGNOME QUALIFICAZIONE  
TIMBRO AZIENDALE



Produced and imported by M.T. Distribution Srl  
Calderara di Reno, Bologna  
[www.mtdistribution.it](http://www.mtdistribution.it)

Ducati Motor Holding S.p.A. Official Licensed Product

Errors and omissions excepted