



Questo manuale d'istruzione è fornito da trovaprezzi.it. Scopri tutte le offerte per [Alio FHD60](#) o cerca il tuo prodotto tra le [migliori offerte di Webcam](#)



Questo manuale d'istruzione è fornito da trovaprezzi.it. Scopri tutte le offerte per [Alio FHD60](#) o cerca il tuo prodotto tra le [migliori offerte di Webcam](#)

# WEBCAM

**Alio**

## **Alio FHD60**

User Manual

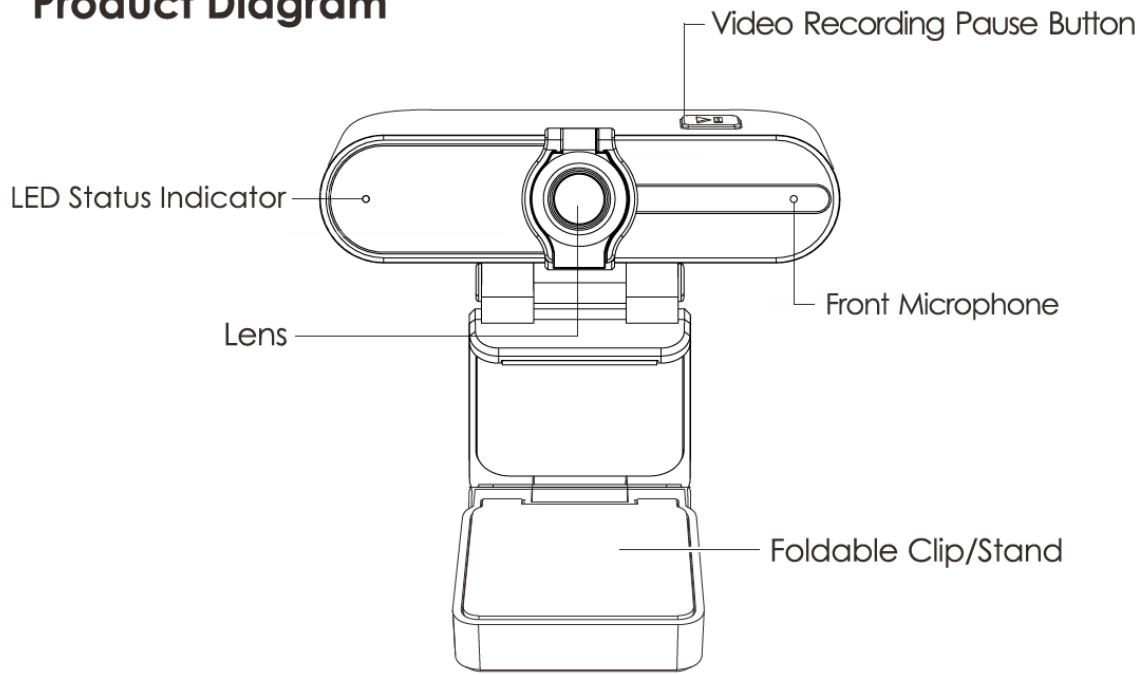


Thank you for purchasing the Alio FHD60 1080p Webcam. Please read this user manual carefully and keep it for future reference. If you need any assistance, please contact: [help@alio.com.pl](mailto:help@alio.com.pl)

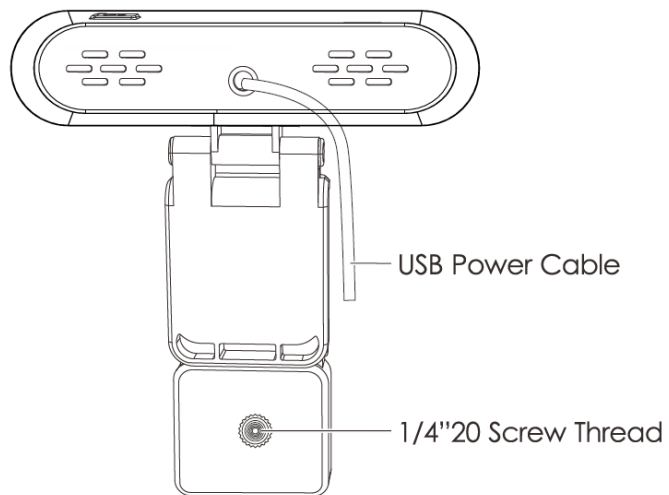
## **Package Contents**

1080p Webcam  
User Manual

# Product Diagram



- 02 -



- 03 -

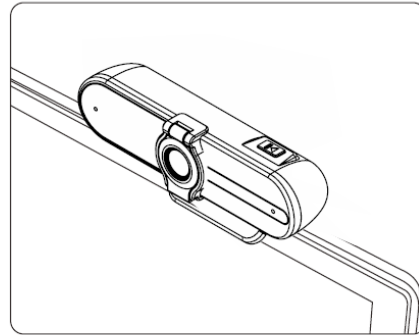
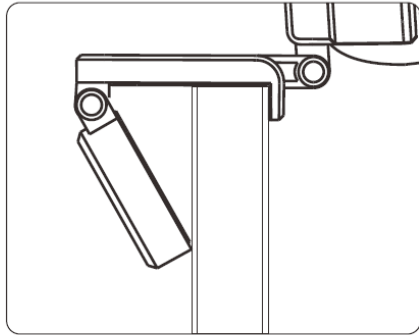
# Specifications

Model	Alio FHD60
Sensor	1/2.7" CMOS image sensor
Recording Resolution	1920 x 1080p (30fps)
Video Format	MJPEG
Photo Resolution	2 megapixels
Focus Mode	Fixed
Focus Distance	up to 5m
Field of View	90°
Minimum Illumination	2lux
Auto White Balance	Yes
Microphone	Build-in microphone (noise reduction configuration)
Input	DC 5V 200mA (Max)
System Requirements	Windows 7/8/10, Mac OS X10.6, Android 5.0 or above.
Material	ABS
Operation Temperature	0°C-45°C (32°F-113°F)

# Getting Started

## Positioning the Webcam

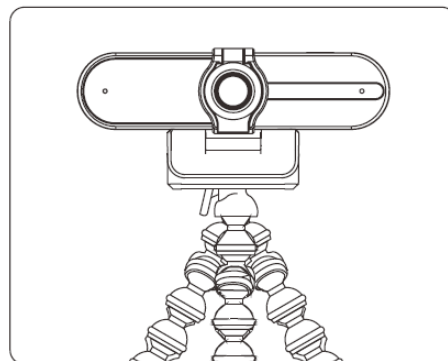
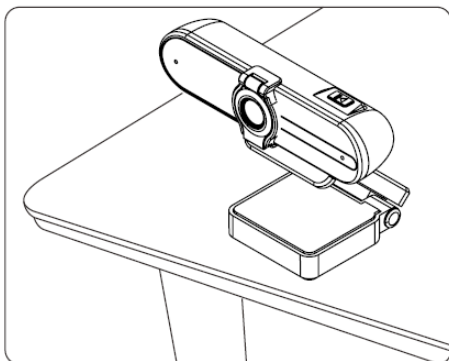
**On a flat-screen computer monitor or laptop screen:** Rest the open clip on top edge of screen with lower part folded so it contacts back of screen and holds webcam in correct position. Tilt camera for best camera viewing angle.



- 05 -

**On a desk or other flat surface:** Adjust the stand and tilt camera for best camera viewing angle. For greater stability, angle the stand slightly forward and tilt camera back.

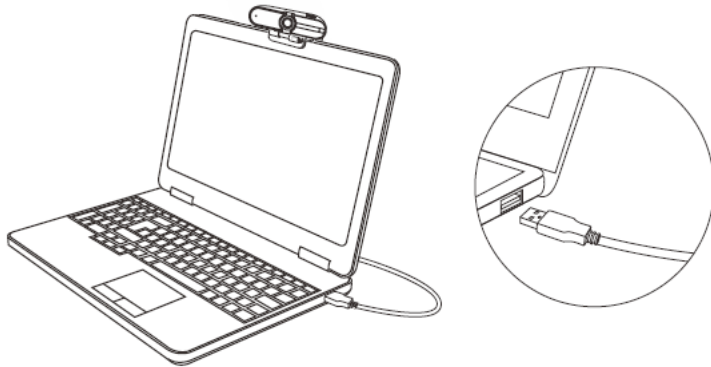
**On a tripod:** Attach webcam to a standard tripod mount with 1/4" 20 screw thread. Tilt camera or adjust tripod for best camera viewing angle.



- 06 -

# Connecting and using the webcam

1. Connect the webcam USB cable to the computer USB port, and the LED indicators will light up red (the camera will then appear in the "Devices and Printers" section of the "Control Panel").
2. Open the video chat or recording software you want to use and begin a video call or video recording. While the camera is active, the LED indicators will be green.
3. Adjust the clip/stand or pivot the camera to fine-tune the angle and view.



## Pause Button

Press the pause button when the camera is recording a video to pause/resume the video recording.

## Product Care & Use

- Ensure camera and clip are firmly fixed in place or stand before use to avoid falls.
- Keep away from liquid, extreme heat, and strong magnetic fields.
- Avoid touching the lens surface. It may be cleaned with a cotton swab or lens-cleaning cloth. If any dirt is difficult to remove, a non-abrasive glasses lens cleaner may be used. Do not use corrosive solutions.

**Q&A:**

Q: How do I know if my camera is recognized by the operating system?

A: Connect the camera in any USB2.0/3.0 port. Once the camera is connected, it takes few more moments before the camera is recognized. To ensure the camera has installed correctly, check the following:

Under Control Panel > System and Security > System > Device Manager

Q: How do I know if my video calling application is using my webcam?

A: All video application has an option setting to review the audio and video device. Using the video application review the following:

- The Audio selection to ensure the USB2.0 camera Microphone is selected.
- If not change the selection to USB2.0 camera.
- The video selection to ensure the USB2.0 camera is selected.
- If not change the selection to the USB2.0 camera.
-