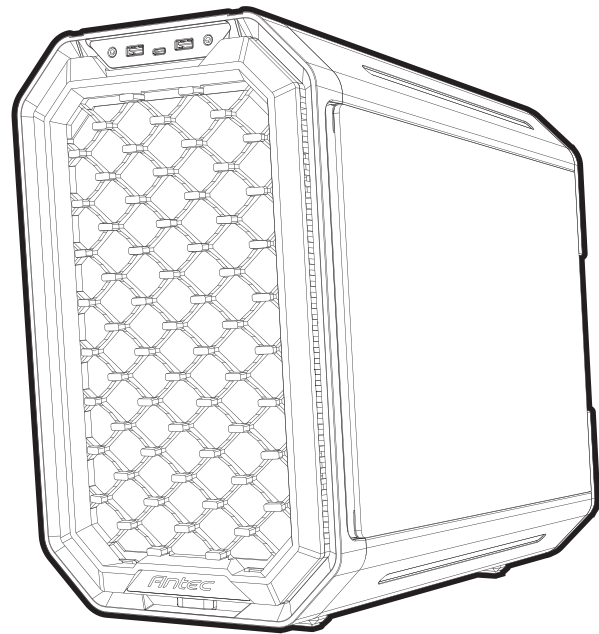




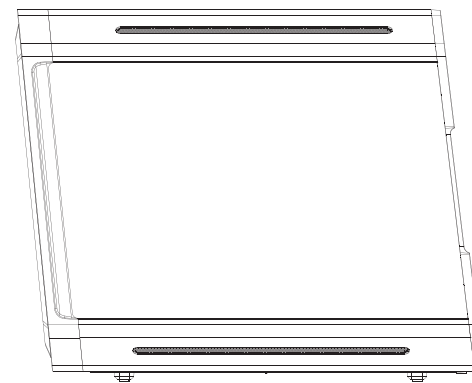
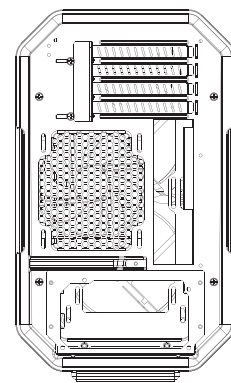
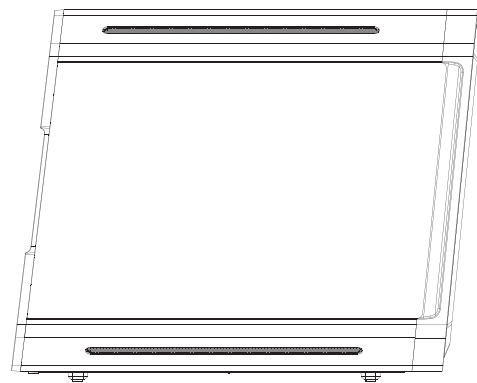
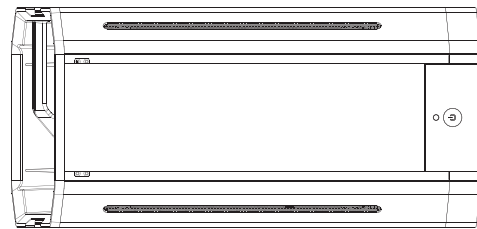
Questo manuale d'istruzione è fornito da trovaprezzi.it. Scopri tutte le offerte per [Antec Dark Cube](#) o cerca il tuo prodotto tra le [migliori offerte di Case e Alimentatori](#)

Antec

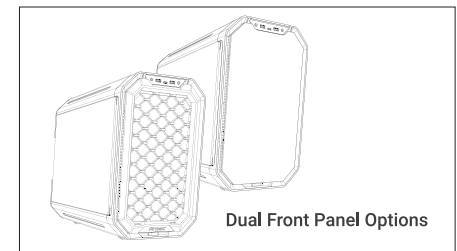
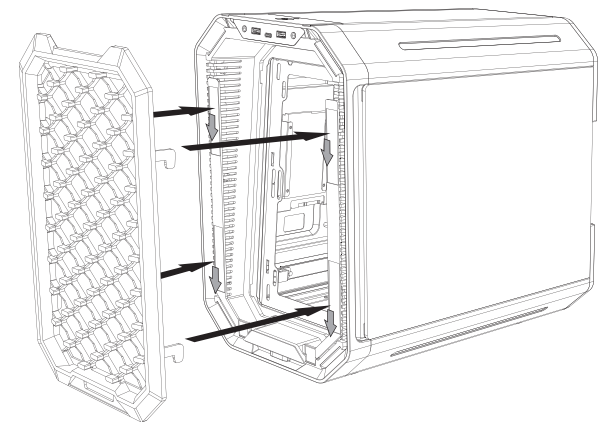


DARK CUBE Beyond the Limits

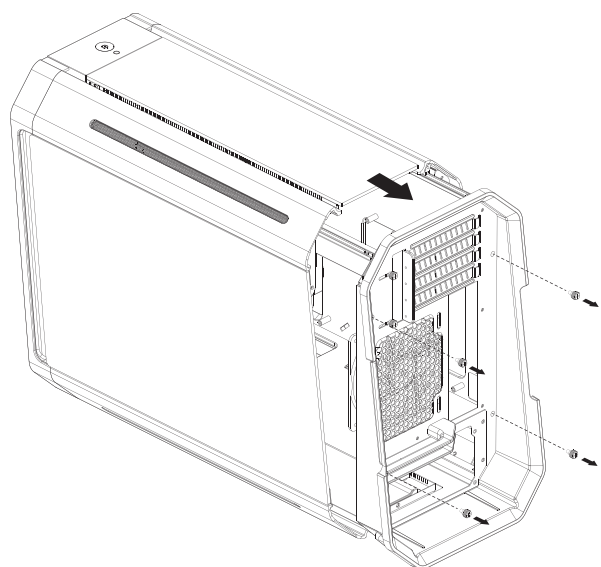
INFORMATION GUIDE



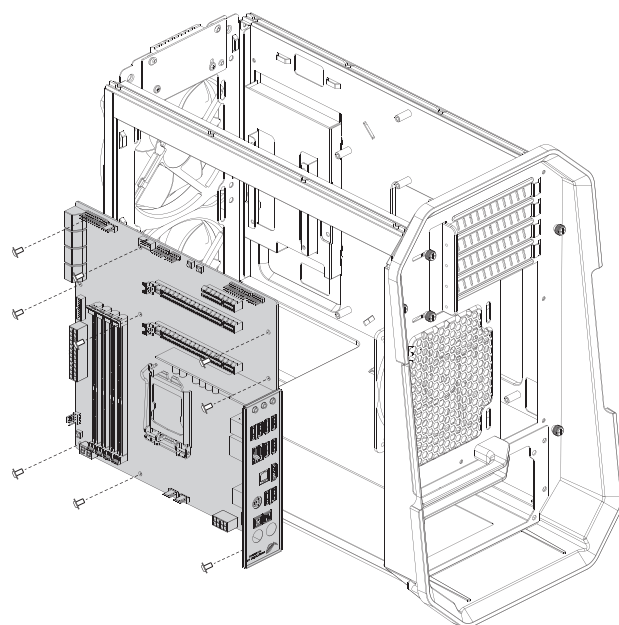
- 1 FRONT PANEL REPLACEMENT**
FRONTPANEL-ERSATZ
RECAMBIO DE PANEL FRONTAL
REPLACEMENT DE LA FACE AVANT
フロントパネルの取り換え
전면 패널 교체
前面板更換



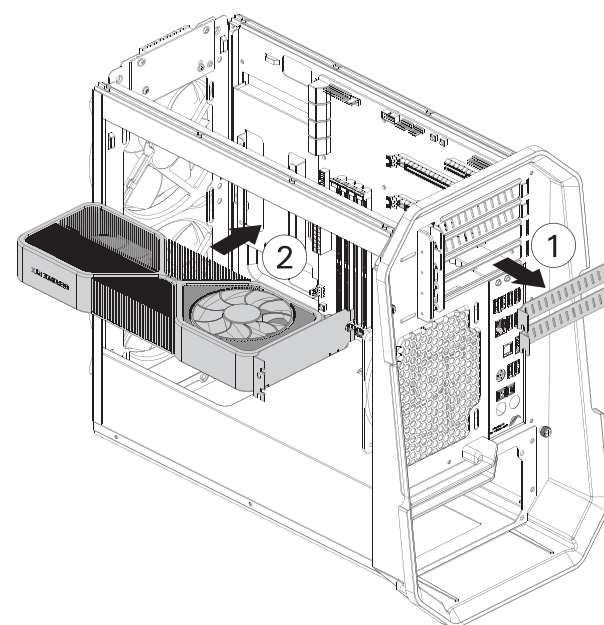
- 2 PULL OUT THE CASE INNER COMPARTMENT**
SAQUE EL COMPARTIMENTO INTERIOR DE LA CAJA
ZIEHEN SIE DAS GEHÄUSEINNENFACH HERAUS
RETIRER LE COMPARTIMENT INTÉRIEUR DU BOÎTIER
ケース内部コンパートメントを引き出します
케이스 내부 구획을 꺼내
机箱内部舱抽拉



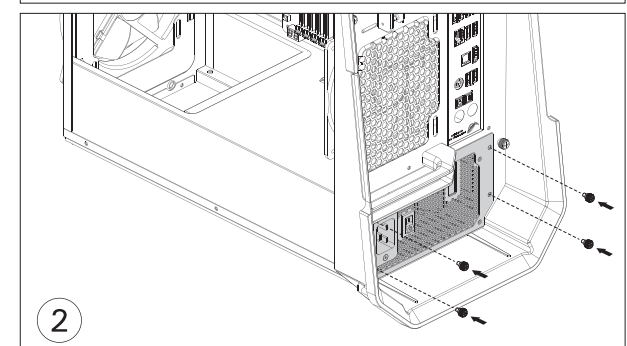
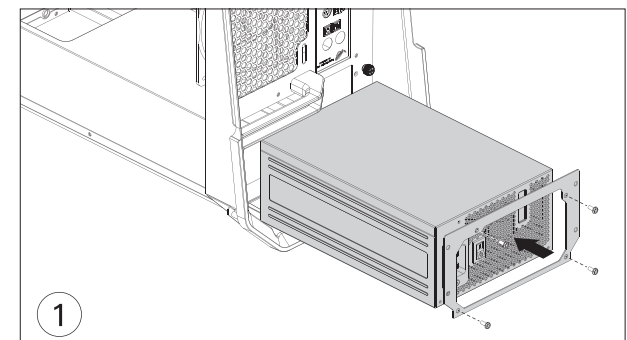
- 3 MOTHERBOARD INSTALLATION**
INSTALACIÓN DE LA PLACA BASE
INSTALLATION DES MOTHERBOARDS
INSTALLATION DE LA CARTE MÈRE
메인보드 장착
마ザーボードの設置
安裝主板



- 4 VGA/PCI-EXPRESS CARD INSTALLATION**
INSTALACIÓN EXPRES DE LA TARJETA VGA/PCI
VGA / PCI-EXPRESS KARTENINSTALLATION
INSTALLATION DE LA CARTE VGA/PCI-EXPRESS
VGA/PCI-E 카드 장착
VGA/PCI-Eの設置
安裝VGA/PCI-E卡

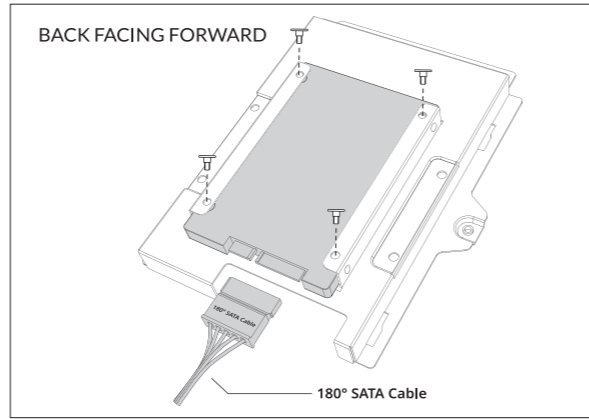
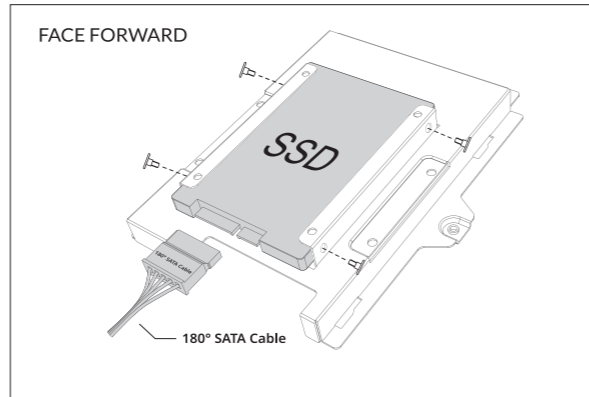
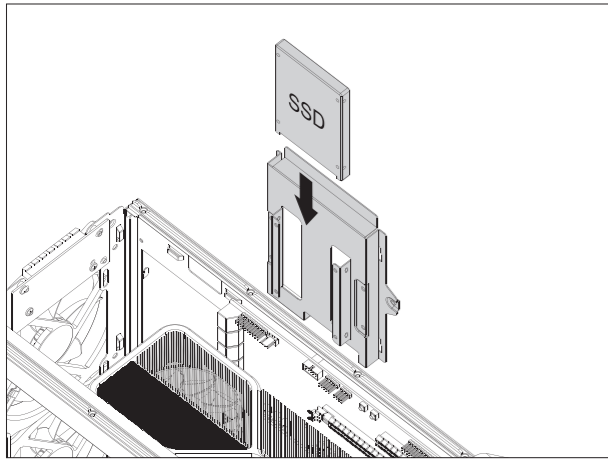


- 5 POWER SUPPLY INSTALLATION**
INSTALACIÓN DE LA FUENTE DE ALIMENTACIÓN
INSTALLATION DES NETZTEILS
INSTALLATION DU BLOC D'ALIMENTATION
파워서프라이 장착
電源の設置
安裝电源组件

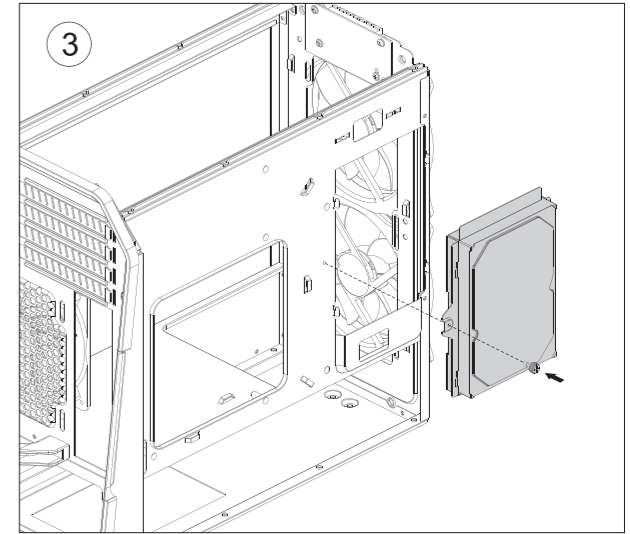
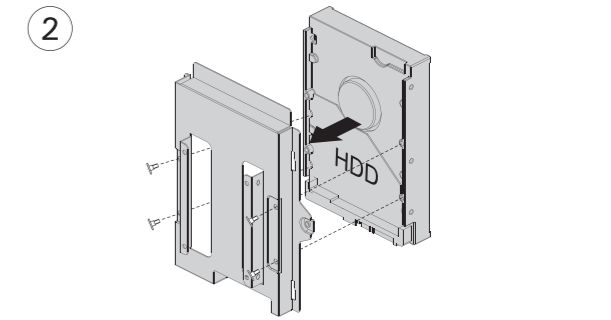
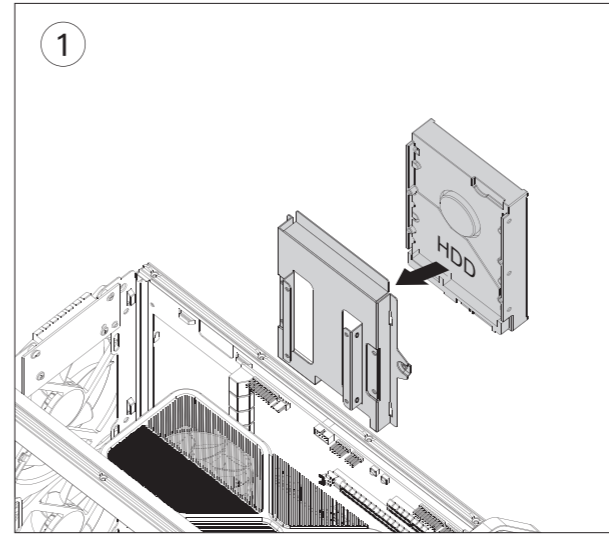


6 HARD DISK INSTALLATION
 INSTALACIÓN DEL DISCO DURO
 FESTPLATTENINSTALLATION
 INSTALLATION DES DISQUES DURS
 드라이브 장착
 드라이브의設置
 安装驱动器

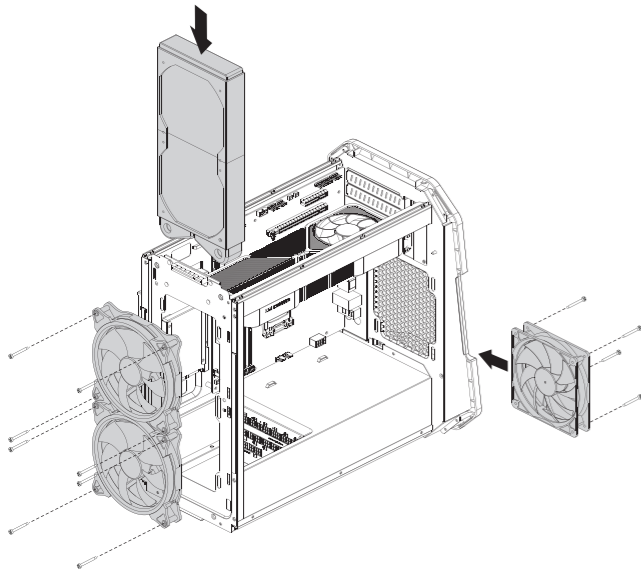
A. INSTALLING A 2.5" SOLID STATE DRIVE
 INSTALAR UNA RANURA SOLID STATE DE 2.5"
 INSTALLATION EINER 2.5 ZOLL SSD
 INSTALLER UN DISQUE DUR 2.5"
 2.5" SSD 장착
 2.5" 드라이브의設置
 2.5寸硬盘安装



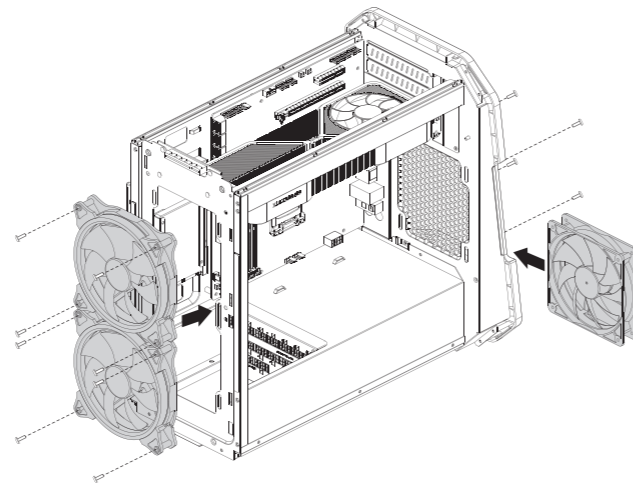
B. INSTALLING A 3.5" HARD DISK DRIVE
 INSTALAR UNA RANURA DE DISCO DURO DE 3.5"
 INSTALLATION EINES 3.5" FESTPLATTENLAUFWERKS
 INSTALLER UN DISQUE DUR 3.5"
 3.5" HDD 장착
 3.5" 드라이브의設置
 3.5寸硬盘安装



7 INSTALLING LIQUID COOLING RADIATOR
 INSTALAR EL RADIADOR DE REFRIGERACIÓN LÍQUIDA
 INSTALLATION EINES FLÜSSIGKEITSKÜHLERS
 INSTALLATION D'UN KIT DE REFRROIDISSEMENT LIQUIDE
 수냉쿨러 장착
 水冷の設置
 水冷安装



8 FAN INSTALLATION
 INSTALAR VENTILADOR
 LÜFTERINSTALLATION
 INSTALLATION DU VENTILATEUR
 팬 장착
 케이스팬의設置
 风扇安装



DARK CUBE Beyond the Limits

SPECIFICATION

General	
Form Factor	Mid Cube
Material(s)	Steel + Plastic + Aluminum Alloy + Glass
Side Panel Type	Tempered Glass
Access & Controls	Power, Fan Control Button, 2 x USB3.0, HD-AUDIO, TYPE-C3.1
Dimensions	512 x 240 x 406 mm (DxWxH)
Compatibility & Clearances	
Mainboard Support	M-ATX, ITX
Max PSU Length	≤ 220mm
Max CPU Cooler Height	≤ 175mm
Max GPU Length	≤ 325mm
Max Radiator (Front)	120mm / 240mm
Max Radiator (Rear)	Up to 120mm
Expansion Slots & Drive Bays	
PCI-E Slots	4
5.25" ODD	-
3.5"	1
2.5"	1
Cooling	
Front	2 x 120mm / 2 x 140mm
Top	-
Rear	1 x 120mm
Dust Filter	Bottom



www.antec.com

All rights reserved. Specifications are subject to change without prior notice. Actual products and accessories may differ from illustrations. Omissions and printing errors excepted. Content of delivery might differ in different countries or areas. Some trademarks may be claimed as the property of others.

V2.2

©1986 – 2021 Antec, Inc. All rights reserved.