

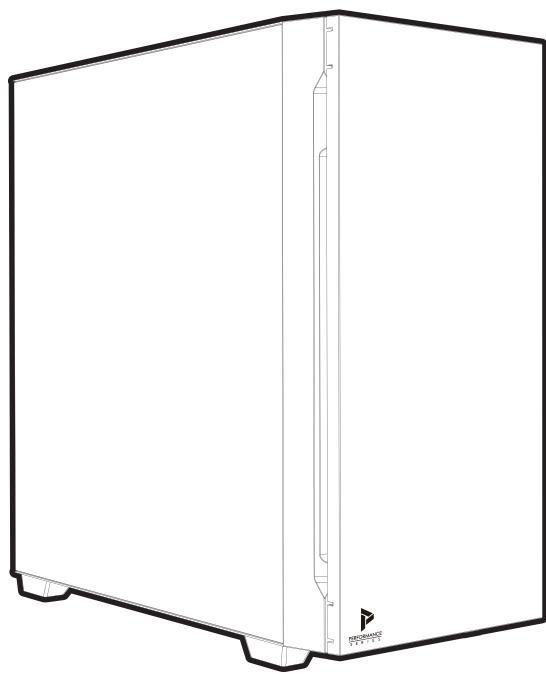


Questo manuale d'istruzione è fornito da trovaprezzi.it. Scopri tutte le offerte per [Antec P10C](#) o cerca il tuo prodotto tra le [migliori offerte di Case e Alimentatori](#)

**trovaprezzi.it**

Questo manuale d'istruzione è fornito da trovaprezzi.it. Scopri tutte le offerte per [Antec P10C](#) o cerca il tuo prodotto tra le [migliori offerte di Case e Alimentatori](#)

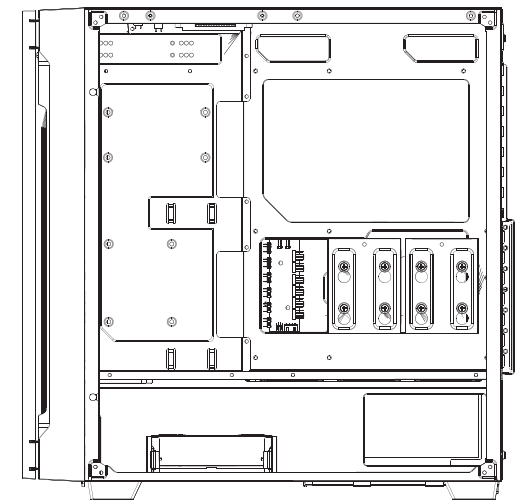
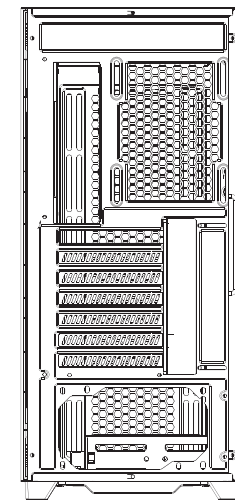
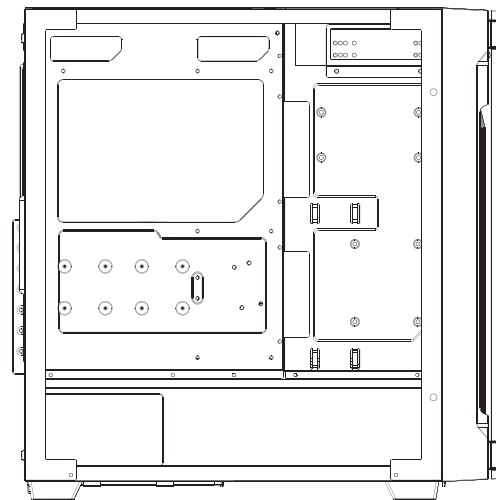
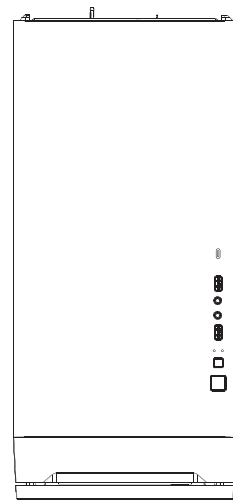
**Antec**



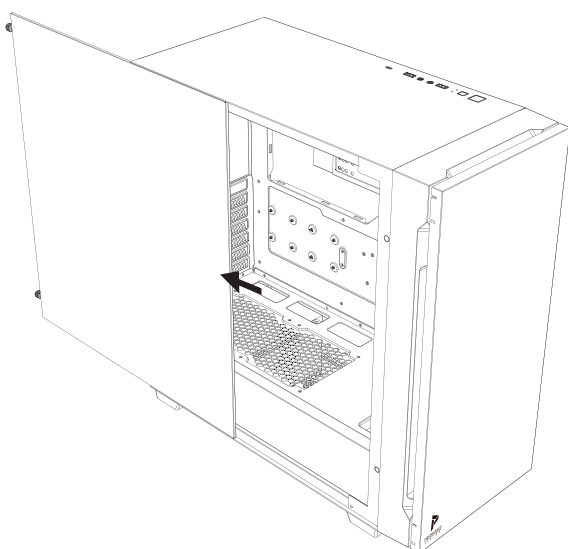
**P10C**

PERFORMANCE SERIES

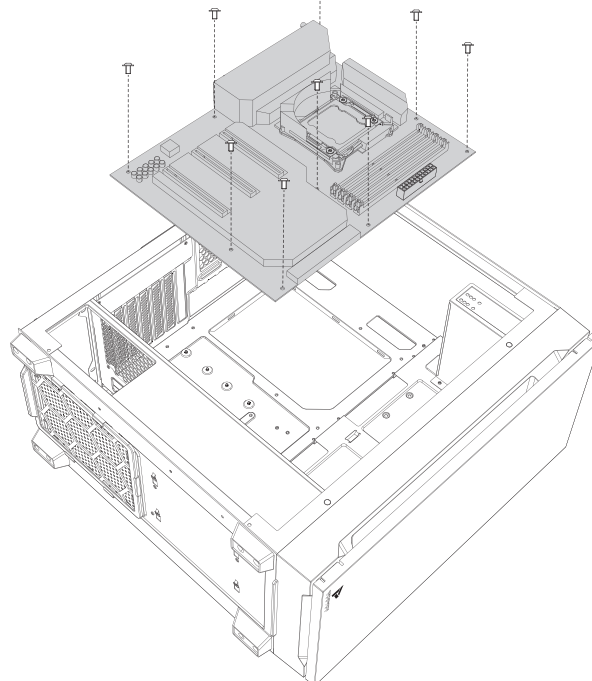
INFORMATION GUIDE



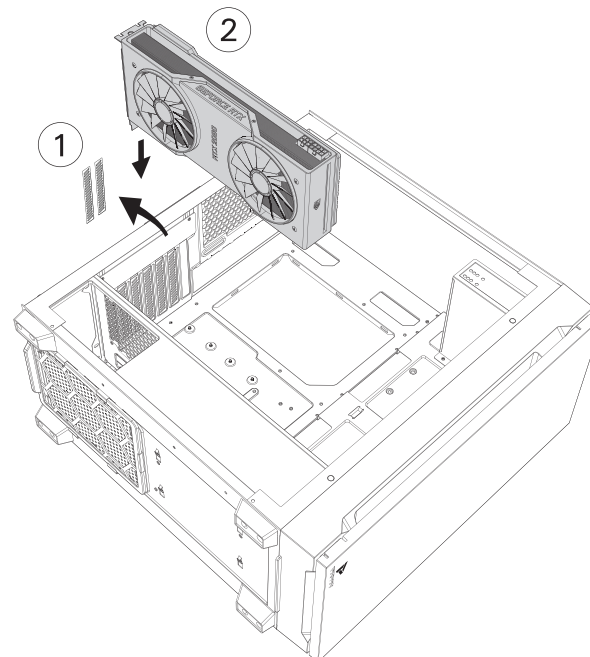
- 1 REMOVE SIDE PANEL**  
EXTRACCIÓN DEL PANEL LATERAL  
SEITENWAND ENTFERNEN  
RETIRER LE PANNEAU LATÉRAL  
사이드 패널 분리  
サイドパネルを取り外します。  
拆下側面板



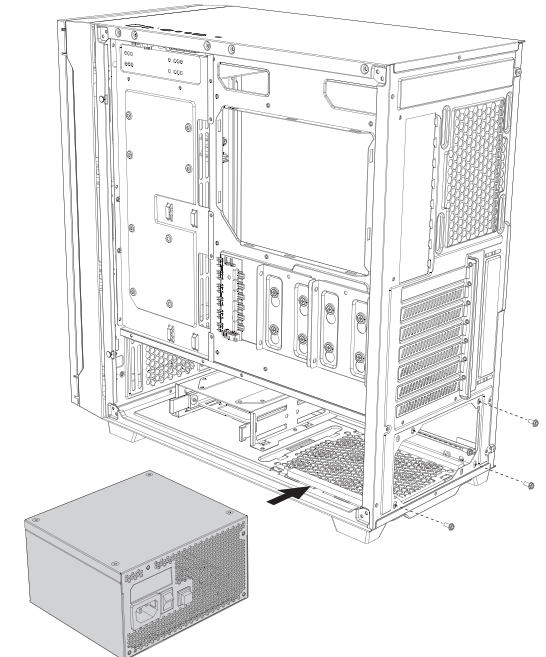
- 2 MOTHERBOARD INSTALLATION**  
INSTALACIÓN DE LA PLACA BASE  
INSTALLATION DES MOTHERBOARDS  
INSTALLATION DE LA CARTE MÈRE  
메인보드 장착  
マザーボードの設置  
安装主板



- 3 VGA/PCI-EXPRESS CARD INSTALLATION**  
INSTALACIÓN EXPRES DE LA TARIETA VGA/PCI  
VGA / PCI-EXPRESS KARTENINSTALLATION  
INSTALLATION DE LA CARTE VGA/PCI-EXPRESS  
VGA/PCI-E 카드 장착  
VGA/PCI-Eの設置  
安装VGA/PCI-E卡

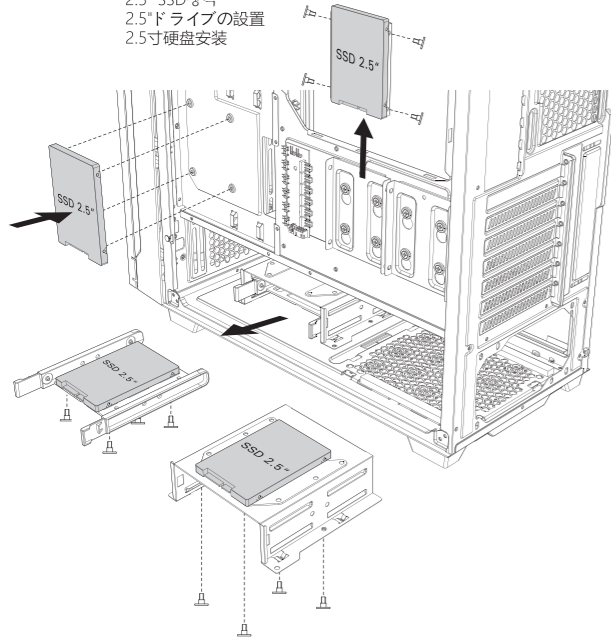


- 4 POWER SUPPLY INSTALLATION**  
INSTALACIÓN DE LA FUENTE DE ALIMENTACIÓN  
INSTALLATION DES NETZTEILS  
INSTALLATION DU BLOC D'ALIMENTATION  
파워서프라이 장착  
電源の設置  
安装电源组件

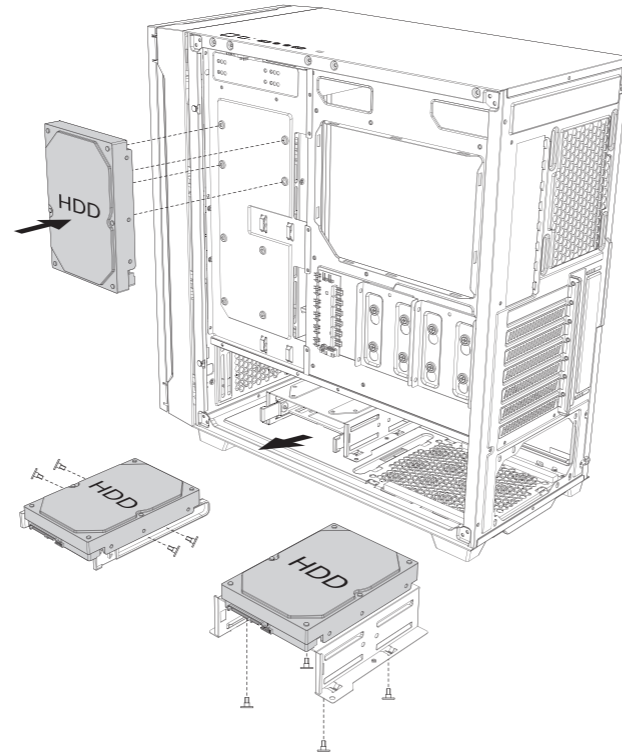


**5 HARD DISK INSTALLATION**  
 INSTALCIÓN DEL DISCO DURO  
 FESTPLATTENINSTALLATION  
 INSTALLATION DES DISQUES DURS  
 드라이브 장착  
 드라이브의設置  
 安装驱动器

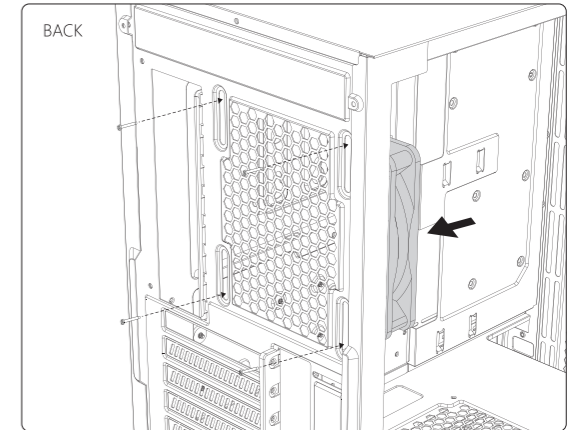
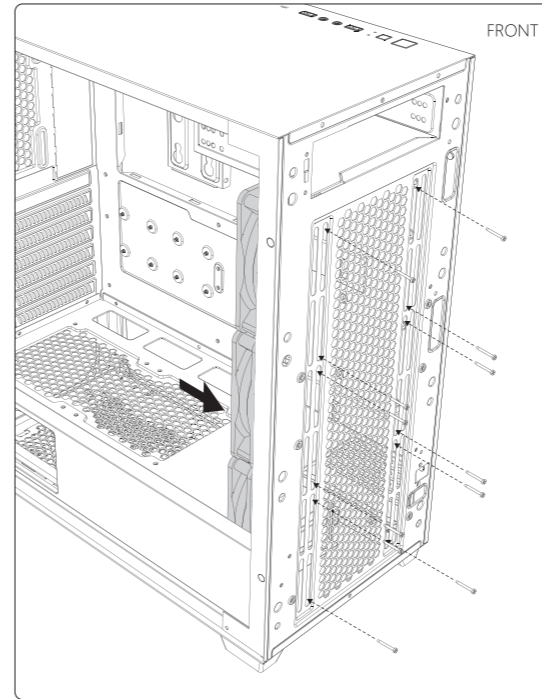
**A. INSTALLING A 2.5" SOLID STATE DRIVE**  
 INSTALAR UNA RANURA SOLID STATE DE 2.5"  
 INSTALLATION EINER 2.5 ZOLL SSD  
 INSTALLER UN DISQUE DUR 2.5"  
 2.5" SSD장착  
 2.5" 드라이브의設置  
 2.5寸硬盘安装



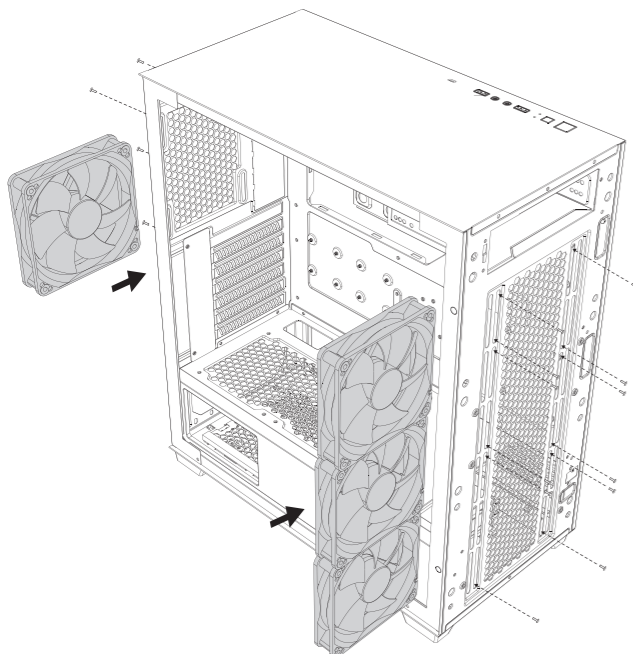
**B. INSTALLING A 3.5" HARD DISK DRIVE**  
 INSTALAR UNA RANURA DE DISCO DURO DE 3.5"  
 INSTALLATION EINES 3.5 "FESTPLATTENLAUFWERKS  
 INSTALLER UN DISQUE DUR 3.5"  
 3.5" HDD장착  
 3.5" 드라이브의設置  
 3.5寸硬盘安装



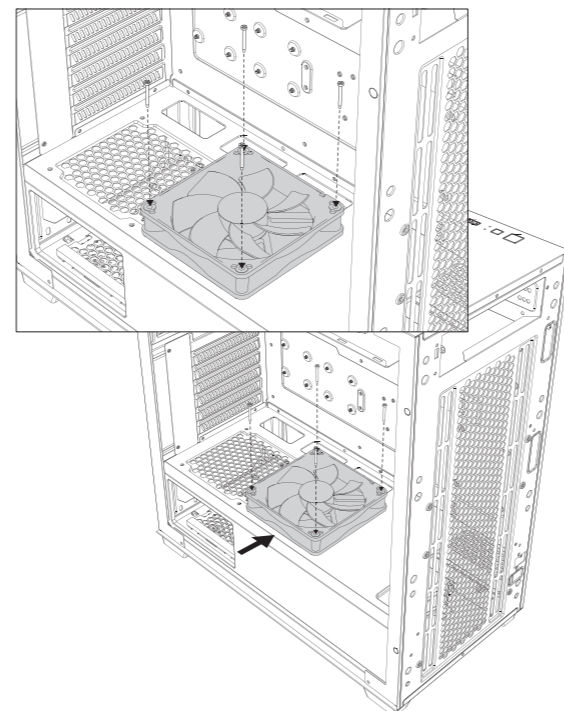
**6 INSTALLING LIQUID COOLING RADIATOR**  
 INSTALAR EL RADIADOR DE REFRIGERACIÓN LÍQUIDA  
 INSTALLATION EINES FLÜSSIGKEITSKÜHLERS  
 INSTALLATION D'UN KIT DE REFOUÏSSEMENT LIQUIDE  
 수냉쿨러 장착  
 수냉의設置  
 水冷安装



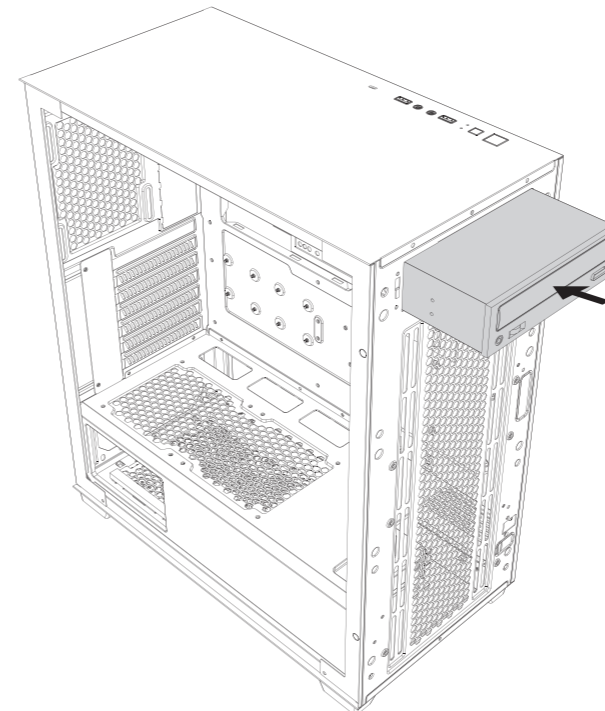
**7 FAN INSTALLATION**  
 INSTALAR VENTILADOR  
 LÜFTERINSTALLATION  
 INSTALLATION DU VENTILATEUR  
 팬 장착  
 케이스팬의設置  
 风扇安装



**8 REVERSE FAN INSTALLATION**  
 INSTALCIÓN DE VENTILADOR INVERSO  
 INSTALLATION DES RÜCKWÄRTSLÜFTERS  
 INSTALLATION DU VENTILATEUR INVERSE  
 역 팬 설치  
 逆ファンの設置  
 反向扇安装



**9 ODD INSTALLATION**  
 INSTALCIÓN DEL ODD  
 ODD-INSTALLATION  
 INSTALLATION DU ODD  
 ODD 장착  
 ODD의設置  
 光驅安装



**Antec**  
 BELIEVE IT

[www.Antec.com](http://www.Antec.com)

All rights reserved. Specifications are subject to change without prior notice. Actual products and accessories may differ from illustrations. Omissions and printing errors excepted. Content of delivery might differ in different countries or areas. Some trademarks may be claimed as the property of others.

V2.2

©1986 – 2021 Antec, Inc. All rights reserved.