



Questo manuale d'istruzione è fornito da trovaprezzi.it. Scopri tutte le offerte per [Aruba 7010 \(RW\)](#) o cerca il tuo prodotto tra le [migliori offerte di Altri dispositivi di rete](#)



Questo manuale d'istruzione è fornito da trovaprezzi.it. Scopri tutte le offerte per [Aruba 7010 \(RW\)](#) o cerca il tuo prodotto tra le [migliori offerte di Wireless e Bluetooth](#)

Aruba 7010 Series Controller



Installation Guide

© Copyright 2016 Hewlett Packard Enterprise Development LP

Open Source Code

This product includes code licensed under the GNU General Public License, the GNU Lesser General Public License, and/or certain other open source licenses. A complete machine-readable copy of the source code corresponding to such code is available upon request. This offer is valid to anyone in receipt of this information and shall expire three years following the date of the final distribution of this product version by Hewlett-Packard Enterprise Company. To obtain such source code, send a check or money order in the amount of US \$10.00 to:

Hewlett-Packard Enterprise Company

Attn: General Counsel
3000 Hanover Street
Palo Alto, CA 94304
USA



www.arubanetworks.com

1344 Crossman Avenue
Sunnyvale, California 94089

Phone: 408.227.4500
Fax 408.227.4550

Preface.....	5
Guide Overview.....	5
Related Documentation.....	5
Contacting Support	6
7010 Controller.....	7
Package Checklist	7
7010 Components	8
Access Ports (Ethernet Ports)	9
Uplink Ports	10
Power, Status, and Peered LEDs	11
LCD Panel.....	12
USB Interface.....	13
Management Port.....	14
Mini USB Console Connector	14
Console Port	14
Power Supply.....	15
Grounding Point.....	16
SFP Modules.....	16
Installation	17
Precautions.....	17
Selecting a Location.....	18
Rack Mounting- Standard	18
Required Tools and Equipment	18
Installation Steps	19
Table or Shelf Installation	20
Required Tools and Equipment	20
Installation Steps	20
Wall Mounting.....	20
Required Tools and Equipment	20
Installation Steps	20
Connecting and Disconnecting the AC Power Cord	22
Connecting the AC Power Cord.....	22
Installing an SFP	23
Removing an SFP	23
Connecting an LC Fiber Optic Cable	23
Specifications, Safety, and Compliance	25
7010 Specifications.....	25
Physical	25
Power Supply Specifications.....	25
Operating Specifications.....	25
Storage Specifications	25
Safety and Regulatory Compliance	25
FCC.....	25

Industry Canada.....	25
EU Regulatory Conformance	26
Battery Statements.....	26
Japan VCCI.....	26
Taiwan (BSMI).....	27
Regulatory Model Name	27
Proper Disposal of Aruba Equipment	27
Waste of Electrical and Electronic Equipment.....	27
European Union RoHS.....	27
India RoHS	27
China RoHS	27

This document describes the hardware features of the Aruba 7010 Controller. It provides a detailed overview of the physical and performance characteristics of each controller model and explains how to install the controller and its accessories.

Guide Overview

- [Chapter 1, “7010 Controller” on page 7](#) provides a detailed hardware overview of the 7010 controller and each of its components.
- [Chapter 2, “Installation” on page 17](#) describes how to install the 7010 controller in a number of ways and how to install each its components.
- [Chapter 3, “Specifications, Safety, and Compliance” on page 25](#) lists the 7010 controller’s technical specifications and safety and regulatory compliance information.

Related Documentation

The latest ArubaOS User Guide and ArubaOS CLI Reference Guide are required for the complete management of an Aruba controller. The latest documentation and the translation of this document into other languages can be found at www.arubanetworks.com/documentation.

Contacting Support

Table 1 *Contact Information*

Main Site	arubanetworks.com
Support Site	support.arubanetworks.com
Airheads Social Forums and Knowledge Base	community.arubanetworks.com
North American Telephone	1-800-943-4526 (Toll Free) 1-408-754-1200
International Telephones	http://www.arubanetworks.com/support-services/support-program/contact-support
Software Licensing Site	licensing.arubanetworks.com
End of Support information	http://www.arubanetworks.com/support-services/end-of-life-products/end-of-life-policy/
Security Incident Response Team (SIRT)	http://www.arubanetworks.com/support-services/security-bulletins/
Support Email Addresses	
Americas, APAC, and EMEA	support@arubanetworks.com
Security Incident Response Team (SIRT)	sirt@arubanetworks.com

The Aruba 7010 Controller is a wireless LAN controller that connects, controls, and intelligently integrates wireless Access Points (APs) and Air Monitors (AMs) into a wired LAN system.

The 7010 series includes the following two models, and they do not differ physically or functionally from each other:

- 7010-US: For the United States of America
- 7010-RW: For the rest of the world.

The 7010 controller has the following port configuration:

Table 2 7010 Controller Port Configuration

Model	Access Port	Uplink Port	Number of APs Supported	Number of Users Supported
7010-xx	16 x 10/100/1000BASE-T (12 x PoE/PoE+ and 4 x non-PoE)	2 x 1000BASE-X	32	2048

Package Checklist

Inform your supplier if there are any incorrect, missing, or damaged parts. If possible, retain the carton, including the original packing materials (see [Table 3](#)). Use these materials to repack and return the unit to the supplier if needed.

Table 3 Package Contents

Item	Quantity
Aruba 7010-xx Controller	1
Mounting Brackets	2
M6 x 15 mm Phillips Pan Head Screws	4
M4 x 8 mm Phillips Flat Head Screws	8
M6 x 7 mm Grounding Screws	2
AC Power Cord Retaining Clip	1
Power Cable	1
USB Console Cable	1
Rubber Feet	4
Aruba 7010 Installation Guide (Printed) (This document)	1
Quick Start Guide (Printed)	1

Table 3 Package Contents (Continued)

Item	Quantity
End User License Agreement (Printed)	1



Optional accessories are available for use with the Aruba 7010 controller and are sold separately. Contact your Aruba sales representative for details and assistance.

7010 Components

This section introduces the component and its location in the Aruba 7010 controller.

Figure 1 shows the front panel of the Aruba 7010 controller and Figure 2 shows the back panel of the Aruba 7010 controller.

Figure 1 Front Panel of the Aruba 7010 Controller

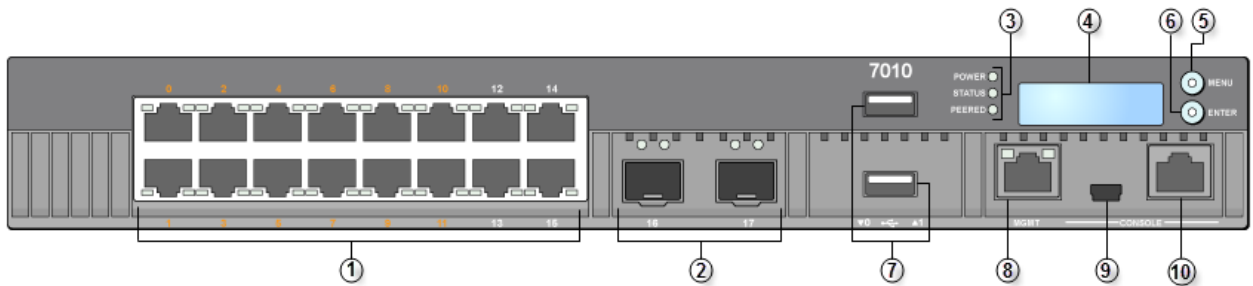
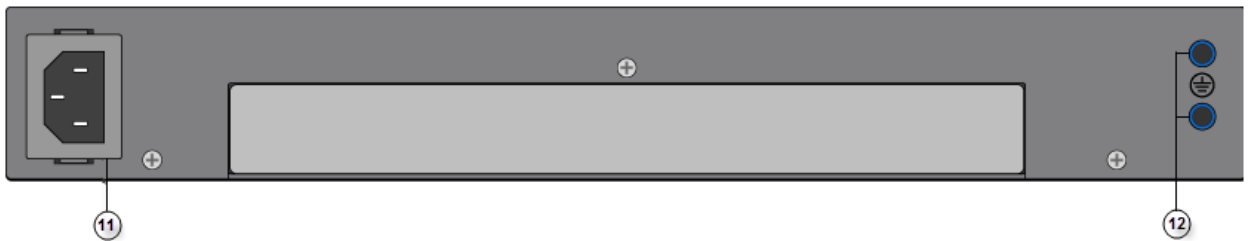


Figure 2 Back Panel of the Aruba 7010 Controller



The following table lists the components on the Aruba 7010 controller:

Table 4 Aruba 7010 Controller Components

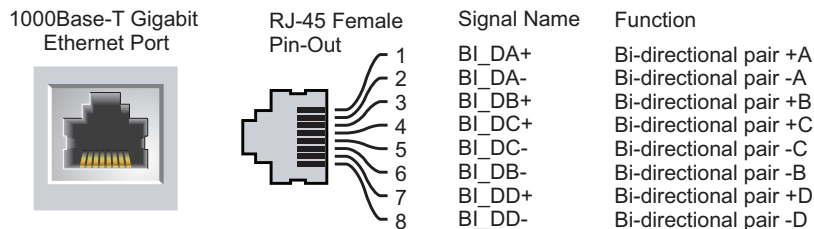
Callout	Component	Description
1	Access Ports	16 x 10/100/1000BASE-T Ethernet ports <ul style="list-style-type: none"> Orange numbering: Indicates that the port supports PoE/PoE+ Gray numbering: Indicates that the port does not support PoE
2	Uplink Ports	2 x 1000BASE-X ports
3	Power, Status, and Peered LEDs	Used for basic monitoring of the Aruba 7010 controller
4	LCD	Used to configure LCD behavior and other basic operations

Table 4 Aruba 7010 Controller Components (Continued)

Callout	Component	Description
5	Menu Button	Used to select the LCD screen menu
6	Enter Button	Used to execute actions on the LCD Screen
7	USB Interface	2 x USB 2.0, USB storage device can be used to save and upload configurations
8	Management Port	Used to connect to a separate management network
9	Mini USB Console Port	Provides console access for direct local access
10	Console Port	RJ-45 serial console access port
11	AC in	AC power connector
12	Grounding Points	Used to attach the grounding screws

Access Ports (Ethernet Ports)

The 7010 controller is equipped with sixteen 10/100/1000BASE-T Gigabit Ethernet ports (0 to 15). Gigabit Ethernet uses all eight wires and each pair is bi-directional, which means, the same pair is used for both data transmission and data reception. [Figure 3](#) illustrates the Gigabit Ethernet port pin-out for a RJ-45 connector. The pins paired on a 10/100/1000BASE-T Gigabit Ethernet port are: 1/2, 3/6, 4/5, and 7/8.

Figure 3 Gigabit Ethernet Port Pin-Out

All Power over Ethernet (PoE) capable ports support IEEE 802.3af PoE, providing up to 15.4 W of DC power, and IEEE 802.3at Power over Ethernet Plus (PoE+), supplying up to 30.0 W of DC power to connected devices, but the power per port is subject to the total PoE power (150W) available in the chassis.



In the Aruba 7010 controller, the access ports 0 to 11 that support PoE/PoE+ are numbered in orange and the access ports 12 to 15 that do not support PoE are numbered in gray.

Ethernet Port LEDs

Each 10/100/1000BASE-T Ethernet port is equipped with two LEDs allowing you to monitor the status and activity on the port. These LEDs provide basic monitoring of the status and activity of each port.

- **LINK/ACT:** Placed on the left side of the port, and displays the link status and activity of the port.
- **STATUS:** Placed on the right side of the port, and displays the status of the port based on the information displayed by this LED changes based on LCD's mode.

The following table describes the LED behavior for each mode:

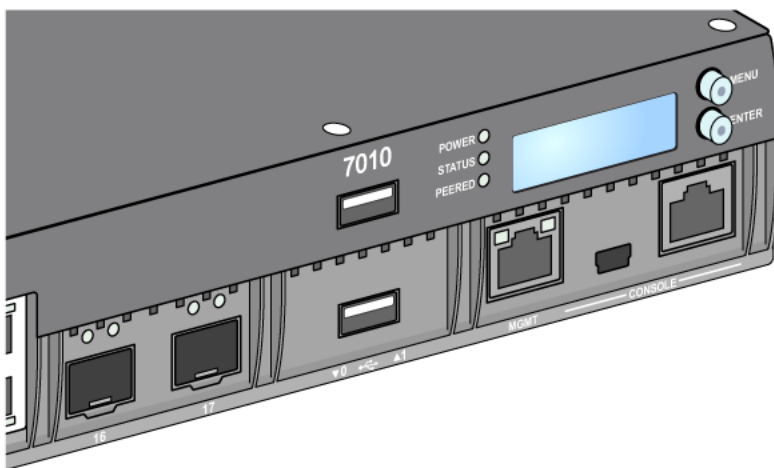
Table 5 10/100/1000BASE-T Ethernet Port LEDs

LED	Function	LCD Mode	Indicator	Status
LINK/ACT	Link status	N/A	Green (Solid)	Link has been established
			Green (Blinking)	Port is transmitting or receiving data
			Off	No link on port
STATUS	Port status	Administrative	Green (Solid)	Port enabled
			Off	Port Administratively disabled
		Duplex	Green (Solid)	Full-duplex
			Off	Half-duplex
		PoE	Green (Solid)	PoE enabled
			Green (Blinking)	Power enabled, but power denied due to unavailability
			Off	PoE not enabled
		Speed	Green (Solid)	1000 Mbps
			Off	10/100 Mbps

Uplink Ports

The Aruba 7010 controller includes two 1000BASE-X uplink ports (16 and 17). See [Figure 4](#). It is recommended to use Aruba supported SFP transceivers in these ports.

Figure 4 Ports, LEDs, and LCD Panel





Aruba tests and supports Aruba optics within their controller systems. Third party optics are not tested or supported; therefore, Aruba does not guarantee proper functionality of third party optics when used in an Aruba system.

Each uplink port has two LEDs. These LEDs are used to monitor the status and activity on each port.

Table 6 *Uplink Port LEDs*

Label	Function	LCD Mode	Indicator	Status
LINK/ACT	Link status	NA	Green (solid)	Link has been established
			Green (blinking)	Port is transmitting or receiving data
			Off	No link on port
STATUS	Port status	Administrative	Green (solid)	Port enabled
			Off	Port disabled
		Duplex	Green (solid)	Full-duplex
			Off	N/A
		PoE	Off	N/A
		Speed	Green (solid)	1 Gbps
			Off	N/A

Power, Status, and Peered LEDs

The front panel also includes power, status, and peered LEDs that provide basic monitoring of the overall status of the Aruba 7010 controller. See [Figure 4 on page 10](#).

Table 7 *Power, Status, and Peered LEDs*

LED	Function	Indicator	Status
Power	System powers	Green (Solid)	Power On
		Off	Power Off
Status	System status	Green (Solid)	Operational
		Green (Blinking)	Device is loading software
		Amber (Blinking)	Major alarm
		Amber (Solid)	Critical alarm
		Off	No power
Peered	Reserved for future use	N/A	N/A

LCD Panel

The Aruba 7010 controller is equipped with an LCD panel (see [Figure 4 on page 10.](#)) that displays information about the controller's status and provides a menu that allows basic operations such as initial setup and reboot. The LCD panel displays two lines of text with a maximum of 16 characters on each line. When using the LCD panel, the active line is indicated by an arrow next to the first letter.

The LCD panel is operated using the two navigation buttons to the right of the screen.

- **Menu:** Allows you to navigate through the menus of the LCD panel.
- **Enter:** Confirms and executes the action currently displayed on the LCD panel.

LCD Mode Menu

The LCD mode menu includes four modes as shown in the following table.

Table 8 LCD Panel Mode

LCD Mode	Function	Displays	Description
Boot	Displays the boot up status.	"Booting ArubaOS...	Displays boot status.
LED	Displays the mode of the STATUS LED. The LED mode menu allows you to choose what information is communicated by the STATUS LEDs on each port. See Table 5 on page 10 for descriptions of the LED behavior of each mode.	LED mode: ADM	Administrative- Displays whether the port is administratively enabled or disabled.
		LED mode: DPX	Duplex- Displays the duplex mode of the port.
		LED mode: POE	PoE- Displays if port is taking PoE power or not.
		LED mode: SPD	Speed- Displays the speed of the port.
		Exit	Exits LED menu.
Status	Displays the ArubaOS version.	OS Version	Displays the ArubaOS version.
		Exit	Exits Status menu.

Table 8 LCD Panel Mode (Continued)

LCD Mode	Function	Displays	Description
Maintenance	Allows you to execute some basic operations of the Aruba 7010 controller such as uploading an image or rebooting the system.	Upgrade Image [Partition 0 [Y N] Partiion 1 [Y N]]	Allows you to upgrade the software image on the selected partition from a predefined location on an attached USB flash device.
		Upload config [Y N]	Uploads the controller's current configuration to a predefined location on the attached USB flash device.
		Factory Default [Y N]	Allows you to reset the device to factory default settings.
		Media Eject [Y N]	Completes the reading or writing of the attached USB device.
		Reload system [Y N]	Allows you to reboot the device.
		Halt system [Y N]	Allows you to halt the device.
		Exit	Exits Maintenance menu.

Disabling the LCD Screen

By default, the LCD screen is enabled. However, if the 7010 controller is deployed in a location without physical security, the LCD screen can be disabled through the CLI. When disabled, pushing one of the navigation buttons will only illuminate the LCD screen and display the slot, role, device name, and any alarms.

Additionally, it is possible to disable only the maintenance menu. This allows you to change the LED behavior and view the device status but prevent upgrades and configuration changes.

To disable the LCD screen, enter the Enable mode and use the following CLI commands:

```
(host) #configure terminal
(host) (config) #lcd-menu
(host) (lcd-menu) #disable menu
```

To disable only the Maintenance menu or one of its sub-menus, enter the Enable mode and use the following CLI commands:

```
(host) #configure terminal
(host) (config) #lcd
(host) (lcd-menu) #disable menu maintenance ?
    factory-default
    halt-system
    media-eject
    reload-system
    upgrade-image
    upload-config
(host) (lcd-menu) #disable menu maintenance upgrade-image ?
    partition0
    partition1
```

USB Interface

The Aruba 7010 controller is equipped with a USB 2.0 interface. See [Figure 4 on page 10](#). A USB storage device can be used to save and upload configurations to the controller. USB functions are

controlled through the LCD panel on the front of the controller. For more information on the LCD panel and its functions, see “LCD Panel” on page 12.

Management Port

The Aruba 7010 controller is equipped with a 10/100/1000BASE-T Gigabit Management (RJ-45) port. See Figure 4 on page 10.

The management port provides 10/100/1000 Mbps Ethernet access to the Aruba 7010 controller CLI, SNMP, and Web interface for complete system management and troubleshooting. It can also be used to connect to a separate management network.

The management port has an LINK/ACT LED on its left side and SPEED LED on its right side. During operation, these LEDs provide status information as shown in the following table:

Table 9 10/100/1000BASE-T (RJ-45) Management Port

LED	Function	Indicator	Status
LINK/ACT	Link Status Information	Green (Solid)	Link has been established
		Green (Blinking)	Link activity
		Off	No link on port
SPEED	Interface Speed	Green (Solid)	1000Mbps
		Off	10/100Mbps

Mini USB Console Connector

The Aruba 7010 controller is equipped with one Mini USB (type B) connector that provides console access for direct local access. See Figure 4 on page 10. If both Mini USB and RJ-45 Console ports are connected, the Mini USB connection takes precedence over the RJ-45 Console connection.

Mini USB Driver

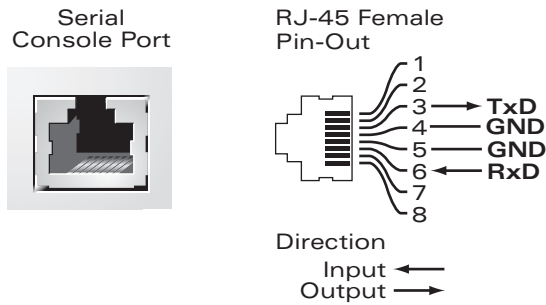
To use the Mini USB console port, you must install the Aruba Mini USB driver on the computer that will manage your controller. To download the driver, perform the following steps:

1. Go to <https://support.arubanetworks.com>.
2. Click on the **Tools & Resources** tab.
3. Open the **USB Console Driver** folder.
4. Open the **Mobility Controller and Mobility Access Switch** folder.
5. Select the appropriate file for your application. The corresponding operating system is in the file name.

Console Port

Use the serial CONSOLE port to allow direct local management. See Figure 4 on page 10. This port is a RJ-45 female connector that accepts an RS-232 serial cable with a male connector.

Figure 5 Serial Console Port Pin-Out



The communication settings for the Console port is shown in the following table:

Table 10 Console Terminal Settings

Baud Rate	Data Bits	Parity	Stop Bits	Flow Control
9600	8	None	1	None



The CONSOLE port is compatible only with RS-232 devices. Non-RS-232 devices, such as APs, are not supported.

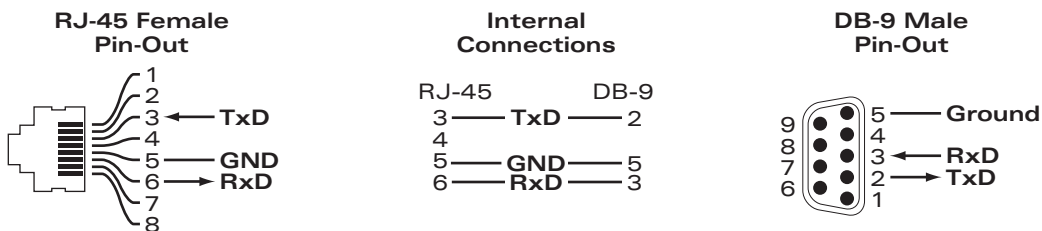


Do not connect the Console port to an Ethernet switch or a PoE power source. This may damage the controller.

Serial Console Port Adaptor

A modular adaptor can be used to convert the female RJ-45 connector to a male DB9 connector. See [Figure 6](#) for complete details.

Figure 6 RJ-45 (Female) to DB9 (Male) Modular Adapter Conversion



Power Supply

The Aruba 7010 controller is equipped with an integrated AC power supply of 225W. The integrated power supply supports 75W of system power and 150W of PoE power.

PoE

The 7010 controller supports PoE (802.3af) and PoE+ (802.3at) to provide power to connected devices. PoE/PoE+ is enabled by default to provide plug and play capability for PoE capable devices. The 7010 controller supports PoE management in Dynamic mode.

In dynamic mode, the per port power budgeted from the total power supplied from the PSUs is equal the amount of power consumed by the port.

Grounding Point

To meet safety and electromagnetic interference (EMI) requirements and to ensure proper operation, the controller must be adequately grounded before power is connected. Connect a grounding cable to earth ground and then attach it to the chassis grounding point using two screws.

Comply with electrical grounding standards during all phases of installation and operation of the product. Do not allow the controller's chassis, network ports, power supply, or mounting brackets to contact any device, cable, object, or person attached to a different electrical ground. Also, never connect the device to external storm grounding sources.

SFP Modules

SFP Modules, also known as mini-GBICs, are hot-swappable Gigabit Ethernet transceivers that provide optical or copper connections to other devices.



Aruba tests and supports Aruba approved optics within their controller devices. Non-approved third party optics are not tested or supported; therefore, Aruba does not guarantee proper functionality of non-approved third party optics when used in an Aruba system. For a complete list of Aruba approved optics, contact your Aruba sales representative.

Table 11 *Supported SFPs*

SFP	Description
SFP-SX	Aruba SFP, 1000BASE-SX, LC Connector; 850nm pluggable GbE optic; up to 300 meters over multi-mode fiber (Type OM2).
SFP-LX	Aruba SFP, 1000BASE-LX, LC Connector; 310nm pluggable GbE optic; up to 10,000 meters over single-mode fiber.
SFP-TX	Aruba SFP, 1000BASE-T SFP; copper GbE pluggable; RJ45 connector; up to 100 meters over Category-5, 5e, 6 and 6a unshielded twisted pair cable.



CAUTION

Installation of the device should be performed by a trained installation professional.

This chapter describes how to install an Aruba 7010 controller using the many mounting options available. The 7010 controller ships with an accessory kit that includes the equipment needed to install the controller in standard, 19-inch telco rack or on a wall.

- [“Precautions” on page 17](#)
- [“Selecting a Location” on page 18](#)
- [“Rack Mounting- Standard” on page 18](#)
- [“Table or Shelf Installation” on page 20](#)
- [“Wall Mounting” on page 20](#)
- [“Installing an SFP” on page 23](#)

Please only use the included or Aruba specified cables, power cords, AC power supplies, and batteries. The power cord should not be used with other electric equipment than what is specified by Aruba.



CAUTION

接続ケーブル、電源コード、ACアダプタ、バッテリーなどの部品は、必ず添付品または指定品をご使用ください。また、電源ケーブルは弊社が指定する製品以外の電気機器には使用できないためご注意ください。

Precautions

- Ensure that the rack is correctly and securely installed to prevent it from falling or becoming unstable.
- Dangerous voltage above 240VAC is always present while the Aruba Power Supply Module is plugged into an electrical outlet. Remove all rings, jewelry, and other potentially conductive material before working with this device.
- Never insert foreign objects into the chassis, power supply, or any other component, even when the power supply is turned Off, unplugged, or removed.
- Ensure that the main power is fully disconnected from the controller by unplugging all power cords from their outlets. For safety, verify that the power outlets and plugs are easily reachable by the operator.
- Do not handle electrical cables which are not insulated. This also includes network cables.
- Keep water and other fluids away from the controller to minimize electrical hazards.
- Comply with electrical grounding standards during all phases of installation and operation of the product. Do not allow the controller's chassis, network ports, power supply, or mounting brackets to contact any device, cable, object, or person attached to a different electrical ground. Also, never connect the device to external storm grounding sources.

- Perform installation or removal of the chassis or any module in a static-free environment. Proper use of anti-static body straps and mats is strongly recommended.
- Modules must be kept in anti-static packaging when not installed in the chassis.
- Do not ship or store this product near strong electromagnetic, electrostatic, magnetic, or radioactive fields.
- Do not disassemble the chassis.

Selecting a Location

The 7010 controller, like other network and computing devices, requires the following “electronic-friendly” environment:

- **Reliable power**
Verify that your electrical outlet is compatible with the 7010 controller power supply.
- **Cool, non-condensing ventilation**
For proper operation, the 7010 controller requires an environment with an ambient air temperature between 0° C and 40° C (32° F and 104° F). Humidity must be kept at non-condensing levels, between 5% and 95%.
Where a large number of electrical devices are working in the same area, additional air conditioning or air circulation equipment may be required.
- **Ample space**
For proper air circulation, leave at least 10 cm (4 inches) clearance all around the chassis.
Leave additional space in front and rear side of the chassis to access power cords, network cables, and indicator LEDs.
- **Limited electromagnetic interference**
For best operation, keep the 7010 controller and all cords and cables at least 0.7 meters (2 feet) from fluorescent lighting fixtures, and 2 meters (6 feet) from photocopiers, radio transmitters, electric generators, and other sources of strong electromagnetic interference.

Rack Mounting- Standard

This mounting option allows mounting the 7010 controller in a two-post 19-inch Telco rack.



Each 7010 controller should have its own mounting equipment. Do not place other networking equipment directly on top of a mounted 7010 controller. Failure to do so can damage the device.

Required Tools and Equipment

The following tools and equipment are required for installing a 7010 controller:

- Mounting Bracket (x2) (included in the kit): Do not use for table or shelf installation
- Screws for mounting bracket (x8): M4 x 8 mm Phillips Flat Head Screws (included in the kit)
- Screws for system rack mount (x4): M6 x 15 mm Phillips Pan Head Screws (included in the kit)
- Suitable Screwdrivers for all screw types provided in the box (not included in the kit)



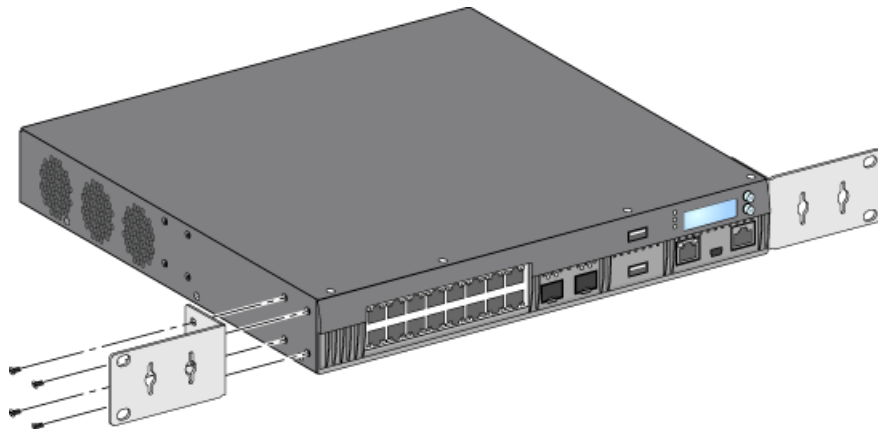
Some racks require screws that differ from those included with the 7010 controller. Ensure that you have the correct screws before installing the 7010 controller.

Installation Steps

To install a 7010 controller into a two-post 19-inch Telco rack:

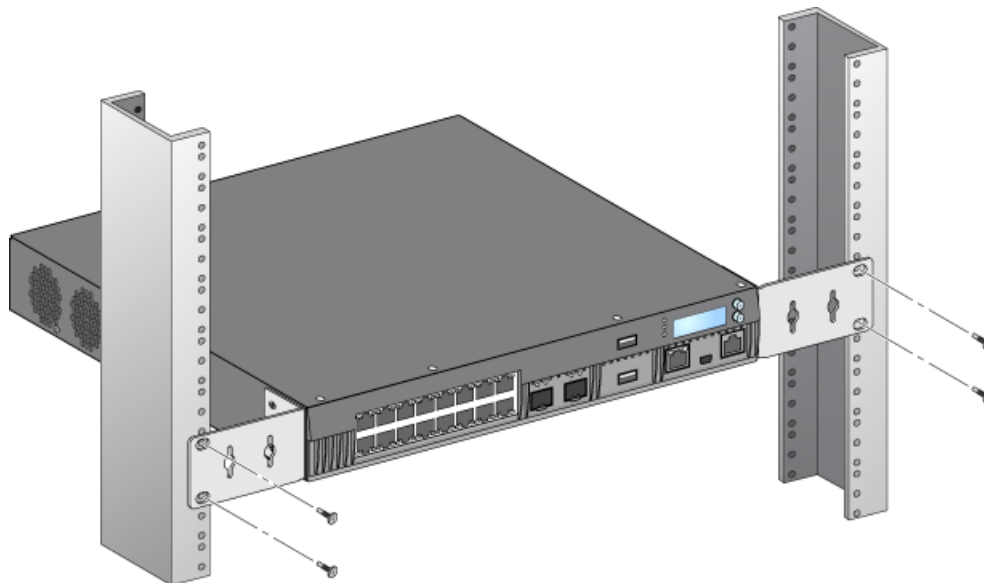
1. Place the mounting bracket over the mounting holes on the controller (see [Figure 7](#)).
2. Secure the bracket to the controller using the eight screws for the mount bracket (four per bracket) and a suitable screwdriver.

Figure 7 Rack Mount Brackets



3. Mount the controller within your organization's rack system using the four screws for system rack mount (two per bracket) and a suitable screwdriver (see [Figure 8](#)).

Figure 8 Rack Mount Installation



Leave a minimum of 10 cm (4 inches) of space on the left and right side of the controller for proper air flow and ventilation.

Leave additional space in the front and the back of the controller to access network cables, LED status indicators, and power cord.

Table or Shelf Installation

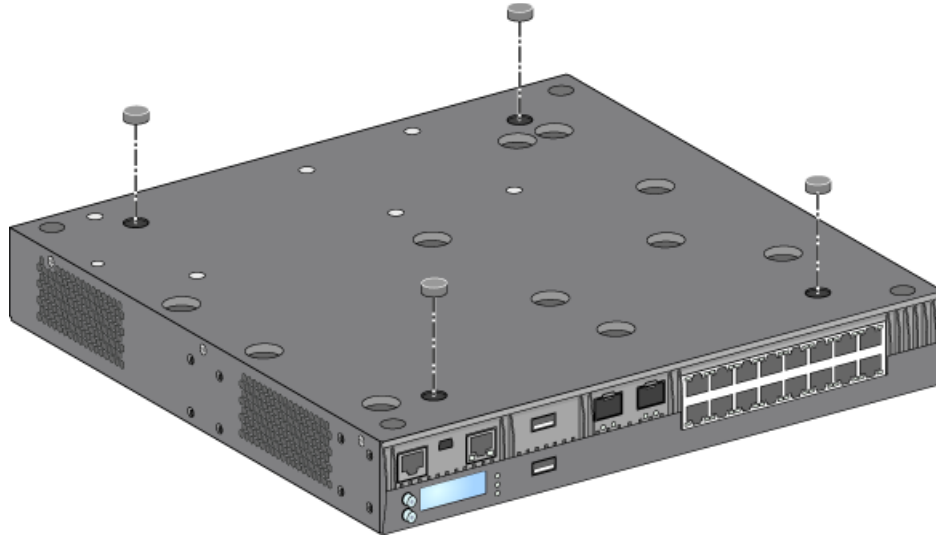
Required Tools and Equipment

- Rubber Feet (included in the kit)

Installation Steps

1. Attach the rubber feet to the bottom of the controller (see [Figure 9](#)).

Figure 9 Attaching Rubber Feet



2. Place the controller in the location you have chosen.

Wall Mounting

The mounting brackets can also be used for wall mounting the 7010 controller.

Required Tools and Equipment

The following tools and equipment are required for installing a 7010 controller on a wall:

- Mounting Brackets (x2) (included in the kit)
- Screws for mounting bracket (x8): M4 x 8 mm Phillips Flat Head Screws (included in the kit)
- Wall Anchors: Optional accessory (not included in the kit)
- Wall Mounting Screws: The type of screw depends on the installation surface (not included in the kit)
- Suitable Screwdrivers for all screw types (not included in the kit)

Installation Steps

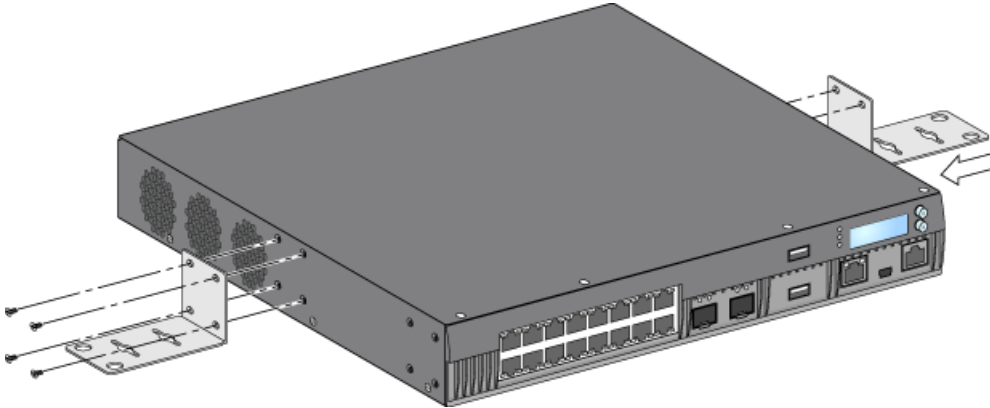
To install a 7010 controller on a wall:



Ensure that the Ethernet ports are facing down when installing the 7010 controller on a wall.

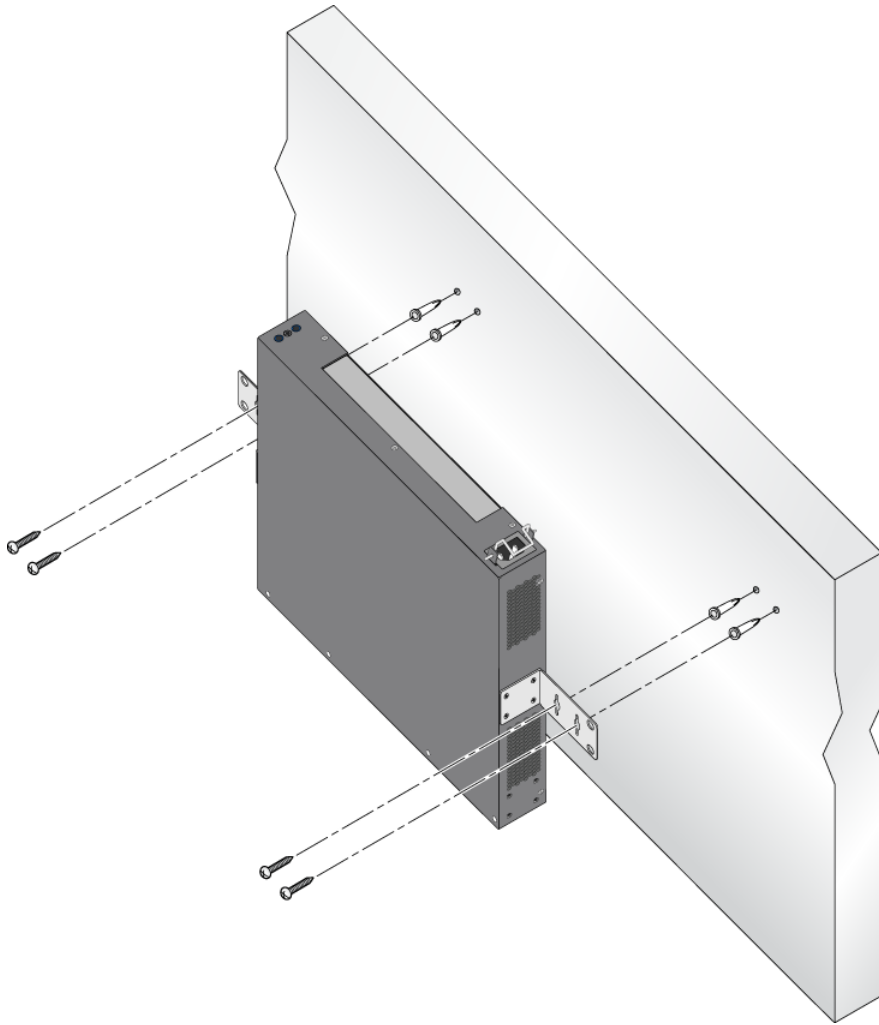
1. Fasten the mounting brackets over the mounting holes on the sides of the 7010 controller using the eight screws for mounting bracket (four per bracket) and a suitable screwdriver (see [Figure 10](#)).

Figure 10 *Attaching the Wall Mount Brackets*



2. After you have chosen a mounting location, mark the locations on the wall where you intend to make mounting holes.
3. Create the holes and insert wall anchors if your installation requires them.
4. Align the mounting bracket holes with the holes you created in the wall (see [Figure 11](#)).
5. Use appropriate screws to secure the 7010 controller.

Figure 11 *Wall Mounting*



Connecting and Disconnecting the AC Power Cord

Once you have installed the 7010 controller, you are ready to power On the device. The 7010 controller is not equipped with an On/Off switch. The device will power On when the AC power cord is connected to the power supply and an AC power outlet.

Connecting the AC Power Cord

To connect the AC power cord to the 7010 controller:

1. Lift the power cord retaining clip so that it is not blocking the AC power connector.
2. Insert the coupler end of the AC power cord into the AC power connector on the power supply module.
3. Lower the power cord retaining clip over the AC power cord.

The 7010 controller should now be receiving power.

Disconnecting the AC Power Cord

To disconnect the AC power cord from the 7010 controller:

1. Lift the power cord retaining clip off the AC power cord.
2. Pull the AC power cord from the power supply module.

3. The 7010 controller is now turned Off.

Installing an SFP

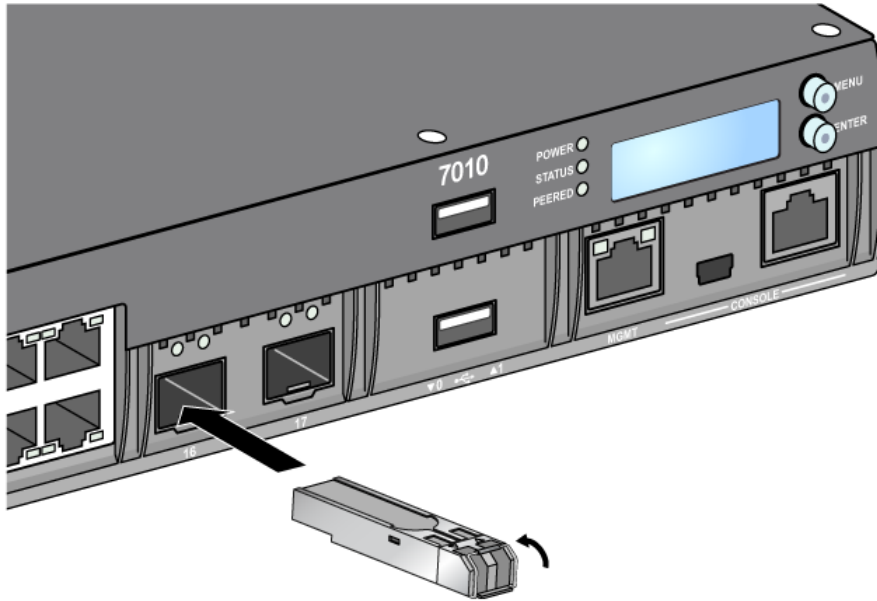


Use standard ESD precautions when installing or removing an SFP.

To install an SFP module into the 7010:

1. Slide the SFP module, top side facing upward, into a 1000Base-X port until a connection is made and an audible click is heard (see [Figure 12](#)).

Figure 12 *Installing an SFP*



Removing an SFP

To remove an SFP module:

1. Open and release the latch on the SFP module.
2. Pull and remove the module from the port.

Connecting an LC Fiber Optic Cable

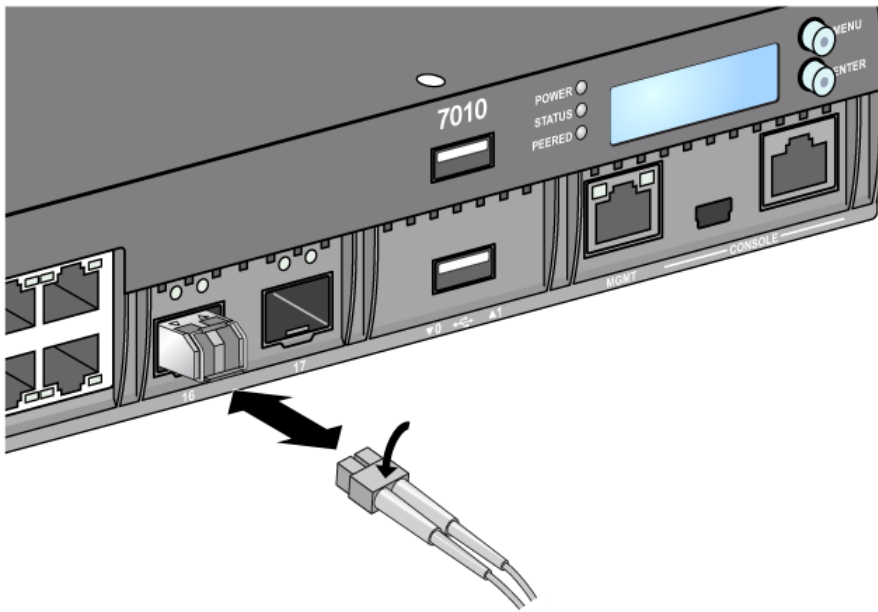
To connect an LC fiber optic cable into an SFP-SX or SFP-LX module:

1. Clean the fiber optic cable connector before inserting it into the SFP module.
2. Insert the fiber optic cable into the SFP module. Ensure that the latch on the cable faces the top of the SFP module (see [Figure 13](#)).
3. Slide the cable into place until a connection is made and an audible click is heard.

To disconnect an LC fiber optic cable from an SFP-SX or SFP-LX module:

1. Depress the transceiver handle to release the latch on the cable and simultaneously pull the cable out of the port.

Figure 13 Connecting an LC Fiber Optic Cable



7010 Specifications

Physical

- Device Dimensions (without mounting brackets) (HxWxD): 1.74" x 12.75" x 13.0" (4.42 cm x 31.75 cm x 33.0 cm)
- Device Weight: 7.4 lbs (3.4 kg)

Power Supply Specifications

- 225W AC Power Supply
 - AC Input Voltage: 100 VAC to 240 VAC
 - AC Input Current: 3.5 A max.
 - AC Input Frequency: 50 to 60 Hz

Operating Specifications

- Operating Temperature Range: 0 °C to 40 °C (32 °F to 104 °F)
- Operating Humidity Range: 5% to 95% (RH), non-condensing

Storage Specifications

- Storage Temperature Range: -40 °C to 70 °C (-40 °F to 158 °F)
- Storage Humidity Range: 5% to 95% (RH), non-condensing

Safety and Regulatory Compliance

Aruba Networks, Inc. provides a multi-language document that contains country-specific restrictions and additional safety and regulatory information for all Aruba products. This document can be viewed or downloaded from the following location: www.arubanetworks.com/safety_addendum



Aruba controllers must be installed by a professional installer. The professional installer is responsible for ensuring that grounding is available and it meets applicable local and national electrical codes.

FCC

This device complies with Part 15 of the FCC Rules. Operation is subject to the following two conditions: (1) this device may not cause harmful interference, and (2) this device must accept any interference received, including interference that may cause undesired operation."

Industry Canada

This Class A digital apparatus complies with Canadian ICES-003." & "Cet appareil numérique de la classe A est conforme à la norme NMB-003 du Canada.

CE ⓘ EU Regulatory Conformance

This product is CE marked according to the provisions of the EMC Directive (2004/108/EC) - CE. Aruba Networks Inc., hereby declares that 7010 controller device models are in compliance with the essential requirements and other relevant provisions of Directive (2004/108/EC). CE The Declaration of Conformity made under Directive 1999/5/EC is available for viewing at the following location in the EU community.



Use of controls or adjustments of performance or procedures other than those specified in this manual may result in hazardous radiation exposure.

This product complies with 21 CFR Chapter 1, Subchapter J, Part 1040.10, and IEC 60825-1: 1993, A1: 1997, A2: 2001, IEC 60825-2: 2000.

For continued compliance with the above laser safety standards, only approved Class 1 modules from our approved vendors should be installed in the product.



Although this controller has been tested up to 1kV per CE immunity requirements, this product requires surge protection to be provided as part of the building installation to protect against unidirectional surges resulting from electrical switching and lightning strikes.

For protection against these surges in an outdoor installation, any exposed wiring must be shielded, and the shield for the wiring must be grounded at both ends.

Battery Statements



Il y a danger d'explosion s'il y a remplacement incorrect de la batterie.

Remplacer uniquement avec une batterie due même type ou d'un équivalent recommandé par le constructeur.

Mettre au rebut les batteries usagées conformément aux unstruction du fabricant.



The battery supplied with this product may contain perchlorate material. Special handling may apply in California and other certain states. See www.dtsc.ca.gov/hazardouswaste/perchlorate for more information.



Risk of explosion if battery is replaced by an incorrect type. Dispose of used batteries according to the instructions.

Japan VCCI

この装置は、クラス A 情報技術装置です。この装置と電波妨害を引き起こすことがあります。この場合、電波妨害を講ずるよう要求されることがあります。

This is a Class A product. In a domestic environment this product may cause radio interference in which case the user may be required to take corrective actions.

Taiwan (BSMI)

警告使用者：
這是甲類的資訊產品，在居住的環境中使用時，可能會造成射頻干擾，在這種情況下，使用者會被要求採取某些適當的對策。

Regulatory Model Name

The regulatory model name for the 7010 controller is ARNC0103.

Proper Disposal of Aruba Equipment

Waste of Electrical and Electronic Equipment



Aruba products at end of life are subject to separate collection and treatment in the EU Member States, Norway, and Switzerland and therefore are marked with the symbol shown at the left (crossed-out wheelie bin). The treatment applied at end of life of these products in these countries shall comply with the applicable national laws of countries implementing Directive 2002/96EC on Waste of Electrical and Electronic Equipment (WEEE).

European Union RoHS



Aruba products also comply with the EU Restriction of Hazardous Substances Directive 2002/95/EC (RoHS). EU RoHS restricts the use of specific hazardous materials in the manufacture of electrical and electronic equipment. Specifically, restricted materials under the RoHS Directive are Lead (including Solder used in printed circuit assemblies), Cadmium, Mercury, Hexavalent Chromium, and Bromine. Some Aruba products are subject to the exemptions listed in RoHS Directive Annex 7 (Lead in solder used in printed circuit assemblies). Products and packaging will be marked with the “RoHS” label shown at the left indicating conformance to this Directive.

India RoHS


This product complies with RoHS requirements as prescribed by E-Waste (Management & Handling) Rules, governed by the Ministry of Environment & Forests, Government of India.

China RoHS



Aruba products also comply with China environmental declaration requirements and are labeled with the “EFUP 50” label shown at the left.

有毒有害物质声明
Hazardous Materials Declaration

部件名称 (Parts)	有毒有害物质或元素 (Hazardous Substances)					
	铅 Lead (Pb)	汞 Mercury (Hg)	镉 Cadmium (Cd)	六价铬 Chromium VI Compounds (Cr ⁶⁺)	多溴联苯 Polybrominated Biphenyls (PBB)	多溴二苯醚 Polybrominated Diphenyl Ether (PBDE)
电路板 PCA Board	X	O	O	O	O	O
机械组件 Mechanical Subassembly	X	O	O	O	O	O
电源适配器 Power Adaptor	X	O	O	O	O	O
<p>O: 表示该有毒有害物质在该部件所有均质材料中的含量均在SJ/T11363-2006标准规定的限量要求以下。 This component does not contain this hazardous substance above the maximum concentration values in homogeneous materials specified in the SJ/T11363-2006 Industry Standard.</p>						
<p>X: 表示该有毒有害物质至少在该部件的某一均质材料中的含量超出SJ/T11363-2006标准规定的限量要求。 This component does contain this hazardous substance above the maximum concentration values in homogeneous materials specified in the SJ/T11363-2006 Industry Standard.</p>						
<p>对销售之目的所售产品, 本表显示, 供应链的电子息产品可能包含这些物质。 This table shows where these substances may be found in the supply chain of electronic information products, as of the date of sale of the enclosed product.</p>						
<p>此标志为针对所涉及产品的环保使用期标志。 某些零部件会有一个不同的环保使用期(例如, 电池单元模块)贴在其产品上。 此环保使用期限只适用于产品是在产品手册中所规定的条件下工作。 The Environment- Friendly Use Period (EFUP) for all enclosed products and their parts are per the symbol shown here. The Environment- Friendly Use Period is valid only when the product is operated under the conditions defined in the product manual.</p>						



0511516-04