



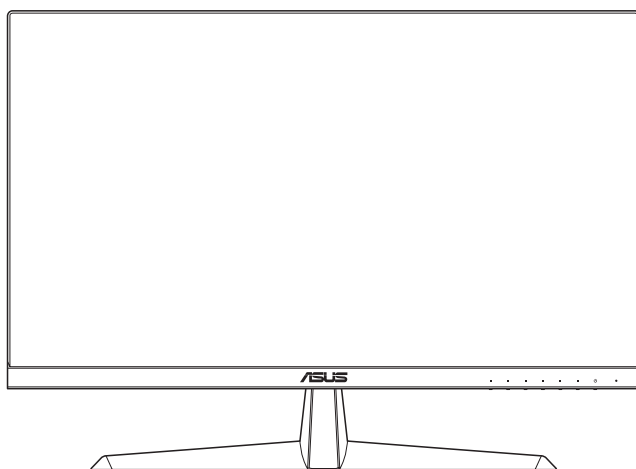
Questo manuale d'istruzione è fornito da [trovaprezzi.it](http://trovaprezzi.it). Scopri tutte le offerte per [Asus VY249HF-W](#) o cerca il tuo prodotto tra le [migliori offerte di Monitor](#)



Questo manuale d'istruzione è fornito da [trovaprezzi.it](http://trovaprezzi.it). Scopri tutte le offerte per [Asus VY249HF-W](#) o cerca il tuo prodotto tra le [migliori offerte di Monitor](#)

# ASUS<sup>®</sup> VY249HF Series LCD Monitor

## *User Guide*



**HDMI**<sup>™</sup>  
HIGH-DEFINITION MULTIMEDIA INTERFACE

First Edition

July 2023

**Copyright © 2023 ASUSTeK COMPUTER INC. All Rights Reserved.**

No part of this manual, including the products and software described in it, may be reproduced, transmitted, transcribed, stored in a retrieval system, or translated into any language in any form or by any means, except documentation kept by the purchaser for backup purposes, without the express written permission of ASUSTeK COMPUTER INC. ("ASUS").

Product warranty or service will not be extended if: (1) the product is repaired, modified or altered, unless such repair, modification or alteration is authorized in writing by ASUS; or (2) the serial number of the product is defaced or missing.

ASUS PROVIDES THIS MANUAL "AS IS" WITHOUT WARRANTY OF ANY KIND, EITHER EXPRESS OR IMPLIED, INCLUDING BUT NOT LIMITED TO THE IMPLIED WARRANTIES OR CONDITIONS OF MERCHANTABILITY OR FITNESS FOR A PARTICULAR PURPOSE. IN NO EVENT SHALL ASUS, ITS DIRECTORS, OFFICERS, EMPLOYEES OR AGENTS BE LIABLE FOR ANY INDIRECT, SPECIAL, INCIDENTAL, OR CONSEQUENTIAL DAMAGES (INCLUDING DAMAGES FOR LOSS OF PROFITS, LOSS OF BUSINESS, LOSS OF USE OR DATA, INTERRUPTION OF BUSINESS AND THE LIKE), EVEN IF ASUS HAS BEEN ADVISED OF THE POSSIBILITY OF SUCH DAMAGES ARISING FROM ANY DEFECT OR ERROR IN THIS MANUAL OR PRODUCT.

SPECIFICATIONS AND INFORMATION CONTAINED IN THIS MANUAL ARE FURNISHED FOR INFORMATIONAL USE ONLY, AND ARE SUBJECT TO CHANGE AT ANY TIME WITHOUT NOTICE, AND SHOULD NOT BE CONSTRUED AS A COMMITMENT BY ASUS. ASUS ASSUMES NO RESPONSIBILITY OR LIABILITY FOR ANY ERRORS OR INACCURACIES THAT MAY APPEAR IN THIS MANUAL, INCLUDING THE PRODUCTS AND SOFTWARE DESCRIBED IN IT.

Products and corporate names appearing in this manual may or may not be registered trademarks or copyrights of their respective companies, and are used only for identification or explanation and to the owners' benefit, without intent to infringe.

# Contents

Notices.....	iv
TCO certified .....	vi
Safety information .....	vii
Care & cleaning.....	viii
Takeback services.....	ix
Product information for EU energy label.....	ix
<b>Chapter 1: Product introduction</b>	
1.1 Welcome! .....	1-1
1.2 Package contents.....	1-1
1.3 Monitor introduction .....	1-2
1.3.1 Front view .....	1-2
1.3.2 Back view .....	1-3
<b>Chapter 2: Setup</b>	
2.1 Assembling the monitor arm/base .....	2-1
2.2 Adjusting the monitor.....	2-2
2.3 Detaching the base (for VESA wall mount) .....	2-3
2.4 Connecting the cables.....	2-4
2.5 Turning on the monitor.....	2-4
<b>Chapter 3: General Instructions</b>	
3.1 OSD (On-Screen Display) menu .....	3-1
3.1.1 How to reconfigure.....	3-1
3.1.2 OSD function introduction.....	3-2
3.2 Specifications.....	3-10
3.3 Product dimensions.....	3-12
3.4 Troubleshooting (FAQ).....	3-13
3.5 Supported operating mode for HDMI signal.....	3-14

# Notices

## Federal Communications Commission Statement

This device complies with Part 15 of the FCC Rules. Operation is subject to the following two conditions:

- This device may not cause harmful interference, and
- This device must accept any interference received including interference that may cause undesired operation.

This equipment has been tested and found to comply with the limits for a Class B digital device, pursuant to Part 15 of the FCC Rules. These limits are designed to provide reasonable protection against harmful interference in a residential installation. This equipment generates, uses and can radiate radio frequency energy and, if not installed and used in accordance with the instructions, may cause harmful interference to radio communications. However, there is no guarantee that interference will not occur in a particular installation. If this equipment does cause harmful interference to radio or television reception, which can be determined by turning the equipment off and on, the user is encouraged to try to correct the interference by one or more of the following measures:

- Reorient or relocate the receiving antenna.
- Increase the separation between the equipment and receiver.
- Connect the equipment to an outlet on a circuit different from that to which the receiver is connected.
- Consult the dealer or an experienced radio/TV technician for help.



---

The use of shielded cables for connection of the monitor to the graphics card is required to assure compliance with FCC regulations. Changes or modifications to this unit not expressly approved by the party responsible for compliance could void the user's authority to operate this equipment.

---

## ENERGY STAR complied product



ENERGY STAR is a joint program of the U.S. Environmental Protection Agency and the U.S. Department of Energy helping us all save money and protect the environment through energy efficient products and practices.

All ASUS products with the ENERGY STAR logo comply with the ENERGY STAR standard, and the power management feature is enabled by default. The monitor and computer are automatically set to sleep after 10 and 30 minutes of user inactivity. To wake your computer, click the mouse or press any key on the keyboard. Please visit <http://www.energystar.gov/powermanagement> for detail information on power management and its benefits to the environment. In addition, please visit <http://www.energystar.gov> for detail information on the ENERGY STAR joint program.



---

NOTE: Energy Star is NOT supported on FreeDOS and Linux-based operating system.

---

This product implements power management functionality. In case of no signal input after 10 seconds, the product automatically goes to sleep/standby mode.

### **Canadian Department of Communications Statement**

This digital apparatus does not exceed the Class B limits for radio noise emissions from digital apparatus set out in the Radio Interference Regulations of the Canadian Department of Communications.

This class B digital apparatus complies with Canadian ICES-003.

This Class B digital apparatus meets all requirements of the Canadian Interference - Causing Equipment Regulations.

Cet appareil numérique de la classe B respecte toutes les exigences du Règlement sur le matériel brouiller du Canada.

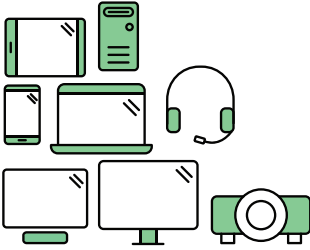


# TCO certified

A third-party certification according to ISO 14024



Toward sustainable IT products



## Say hello to a more sustainable product

IT products are associated with a wide range of sustainability risks throughout their life cycle. Human rights violations are common in the factories. Harmful substances are used both in products and their manufacture. Products can often have a short lifespan because of poor ergonomics, low quality and when they are not able to be repaired or upgraded.

**This product is a better choice.** It meets all the criteria in TCO Certified, the world's most comprehensive sustainability certification for IT products. Thank you for making a responsible product choice, that help drive progress towards a more sustainable future!

Criteria in TCO Certified have a life-cycle perspective and balance environmental and social responsibility. Conformity is verified by independent and approved verifiers that specialize in IT products, social responsibility or other sustainability issues. Verification is done both before and after the certificate is issued, covering the entire validity period. The process also includes ensuring that corrective actions are implemented in all cases of factory non-conformities. And last but not least, to make sure that the certification and independent verification is accurate, both TCO Certified and the verifiers are reviewed regularly.

### Want to know more?

Read information about TCO Certified, full criteria documents, news and updates at [tcocertified.com](https://www.tcocertified.com). On the website you'll also find our Product Finder, which presents a complete, searchable listing of certified products.

## Safety information

- Before setting up the monitor, carefully read all the documentation that came with the package.
- To prevent fire or shock hazard, never expose the monitor to rain or moisture.
- Never try to open the monitor cabinet. The dangerous high voltages inside the monitor may result in serious physical injury.
- If the power supply is broken, do not try to fix it by yourself. Contact a qualified service technician or your retailer.
- Before using the product, make sure all cables are correctly connected and the power cables are not damaged. If you detect any damage, contact your dealer immediately.
- Slots and openings on the back or top of the cabinet are provided for ventilation. Do not block these slots. Never place this product near or over a radiator or heat source unless proper ventilation is provided.
- The monitor should be operated only from the type of power source indicated on the label. If you are not sure of the type of power supply to your home, consult your dealer or local power company.
- Use the appropriate power plug which complies with your local power standard.
- Do not overload power strips and extension cords. Overloading can result in fire or electric shock.
- Avoid dust, humidity, and temperature extremes. Do not place the monitor in any area where it may become wet. Place the monitor on a stable surface.
- Unplug the unit during a lightning storm or if it will not be used for a long period of time. This will protect the monitor from damage due to power surges.
- Never push objects or spill liquid of any kind into the slots on the monitor cabinet.
- To ensure satisfactory operation, use the monitor only with UL listed computers which have appropriate configured receptacles marked between 100-240V AC.
- If you encounter technical problems with the monitor, contact a qualified service technician or your retailer.
- Adjustment of the volume control as well as the equalizer to other settings than the center position may increase the ear-/headphones output voltage and therefore the sound pressure level.
- Ensure to connect the power cord to a socket-outlet with earthing connection.
- The supplied power adapter and/or power cable are designed to use with the product only. Do not use with other products.



This symbol of the crossed out wheeled bin indicates that the product (electrical, electronic equipment, and mercury-containing button cell battery) should not be placed in municipal waste. Please check local regulations for disposal of electronic products.

## AEEE yönetmeliğine uygundur

### Care & cleaning

- Before you lift or reposition your monitor, it is better to disconnect the cables and power cord. Follow the correct lifting techniques when positioning the monitor. When lifting or carrying the monitor, grasp the edges of the monitor. Do not lift the display by the stand or the cord.
- Cleaning. Turn your monitor off and unplug the power cord. Clean the monitor surface with a lint-free, non-abrasive cloth. Stubborn stains may be removed with a cloth dampened with mild cleaner.
- Avoid using a cleaner containing alcohol or acetone. Use a cleaner intended for use with the LCD. Never spray cleaner directly on the screen, as it may drip inside the monitor and cause an electric shock.

### The following symptoms are normal with the monitor:

- You may find slightly uneven brightness on the screen depending on the desktop pattern you use.
- When the same image is displayed for hours, an afterimage of the previous screen may remain after switching the image. The screen will recover slowly or you can turn off the Power Switch for hours.
- When the screen becomes black or flashes, or cannot work anymore, contact your dealer or service center to fix it. Do not repair the screen by yourself!

### Conventions used in this guide



**WARNING:** Information to prevent injury to yourself when trying to complete a task.



**CAUTION:** Information to prevent damage to the components when trying to complete a task.



**IMPORTANT:** Information that you **MUST** follow to complete a task.



**NOTE:** Tips and additional information to aid in completing a task.

## Where to find more information

Refer to the following sources for additional information and for product and software updates.

**1. ASUS websites**

The ASUS websites worldwide provide updated information on ASUS hardware and software products. Refer to <http://www.asus.com>

**2. Optional documentation**

Your product package may include optional documentation that may have been added by your dealer. These documents are not part of the standard package.

**3. About Flicker**

[https://www.asus.com/Microsite/display/eye\\_care\\_technology/](https://www.asus.com/Microsite/display/eye_care_technology/)

## Takeback services

ASUS recycling and takeback programs come from our commitment to the highest standards for protecting our environment. We believe in providing solutions for our customers to be able to responsibly recycle our products, batteries and other components as well as the packaging materials.

Please go to <http://csr.asus.com/english/Takeback.htm> for detail recycling information in different region.

## Product information for EU energy label



VY249HF



VY249HF-W

## 1.1 Welcome!

Thank you for purchasing the ASUS® LCD monitor!

The latest widescreen LCD monitor from ASUS provides a broader, brighter and crystal-clear display, plus a host of features that enhance your viewing experience.

With these features, you can enjoy the convenience and delightful visual experience that the monitor brings to you!

## 1.2 Package contents

Check your package for the following items:

- ✓ LCD monitor
- ✓ Monitor arm
- ✓ Monitor base
- ✓ Quick start guide
- ✓ Warranty card
- ✓ Power cord
- ✓ HDMI cable
- ✓ L-shaped screwdriver (optional)
- ✓ 4 screws



---

If any of the above items is damaged or missing, contact your retailer immediately.

---



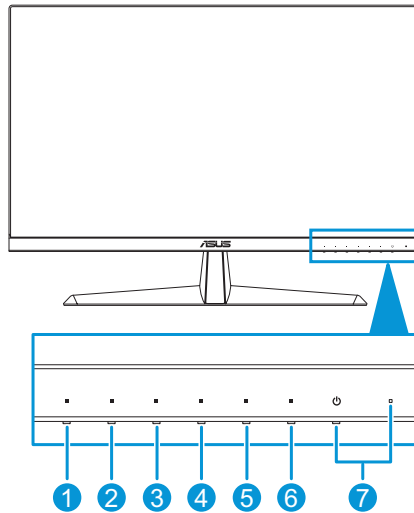
---

If you need to replace the power cord or the connection cable(s), please contact ASUS customer service.




---

## 1.3 Monitor introduction

### 1.3.1 Front view

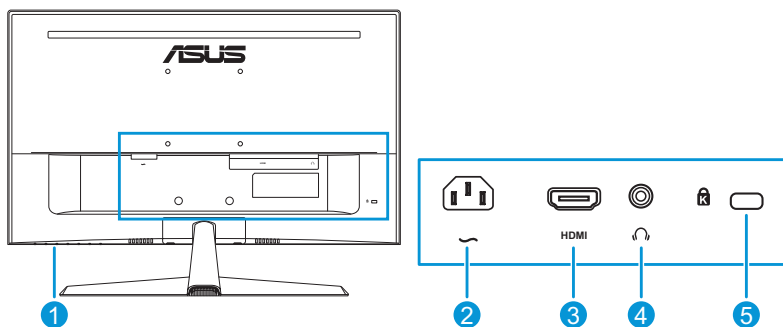


1. ☰ Menu Button:
  - Press this button to display the OSD menu when the OSD is off.
  - Enters the OSD menu.
  - Toggles the Key Lock function between on and off with a long press for 5 seconds.
2. 💡 Shortcut Key1:
  - Press this button to display the OSD menu when the OSD is off.
  - Default: Blue light filter hotkey.
  - To change the hotkey function, go to the Shortcut > Shortcut 1 menu.
3. ☀️ Shortcut Key2:
  - Press this button to display the OSD menu when the OSD is off.
  - Default: Brightness hotkey.
  - To change the hotkey function, go to the Shortcut > Shortcut 2 menu.
4. 🗪 QuickFit Button:
  - Press this button to display the OSD menu when the OSD is off.
  - This is a hotkey to activate the QuickFit function designed for alignment.

5.  Energy Saving button:
  - Press this button to display the OSD menu when the OSD is off.
  - Turns on and off the Energy Saving mode.
6.  Exit button:
  - Press this button to display the OSD menu when the OSD is off.
  - Exits the OSD menu.
7.  Power button/power indicator:
  - Turns the monitor on/off.
  - The color definition of the power indicator is as the below table.

Status	Description
White	ON
Amber	Standby mode
Off	Off

### 1.3.2 Back view



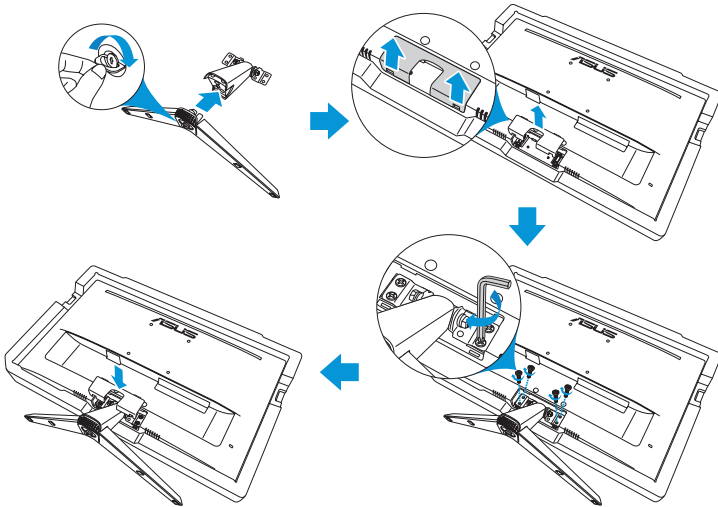
1. **Control buttons.**
2. **AC-IN port.** This port connects the power cord.
3. **HDMI port.** This port is for connection with an HDMI compatible device.
4. **Earphone jack.** This port is only available when an HDMI cable is connected.
5. **Kensington lock slot.**



## 2.1 Assembling the monitor arm/base

To assemble the monitor base:

1. Carefully place the monitor on the EPS foam, with the screen facing down.
2. Attach the base to the arm.
3. Lift the screw ring and turn it clockwise to secure the base.
4. Remove the stand cover.
5. Place the arm hinge of the the stand assembly onto its compartment on the rear of the monitor. Then use the L-shaped screwdriver to secure it with four screws.
6. Install the stand cover to the rear of the monitor.



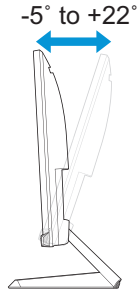
Base screw size: M6 x 12 mm.



Hinge screw size: M4 x 10 mm.

## 2.2 Adjusting the monitor

- For optimal viewing, we recommend that you look at the full face of the monitor, then adjust the monitor to the angle that is most comfortable for you.
- Hold the stand to prevent the monitor from falling when you change its angle.
- The recommended adjusting angle is + 22° to -5°.



---

It is normal that the monitor slightly shakes while you adjust the viewing angle.

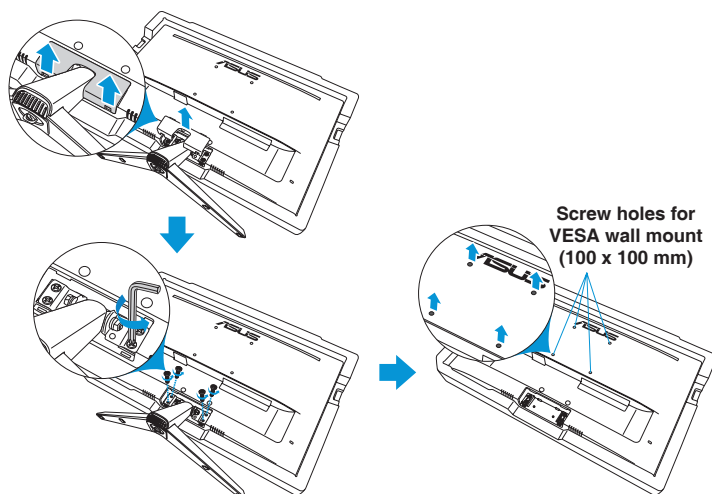
---

## 2.3 Detaching the base (for VESA wall mount)

The detachable arm/base of this monitor is specially designed for VESA wall mount.

To detach the arm/base:

1. Disconnect power and signal cables. Carefully place the monitor on the EPS foam, with the screen facing down.
2. Remove the stand cover.
3. Use the L-shaped screwdriver to remove the four screws. Then remove the stand assembly.
4. Remove the four rubber pads. Then align and install the wall mount bracket on the rear of the monitor.



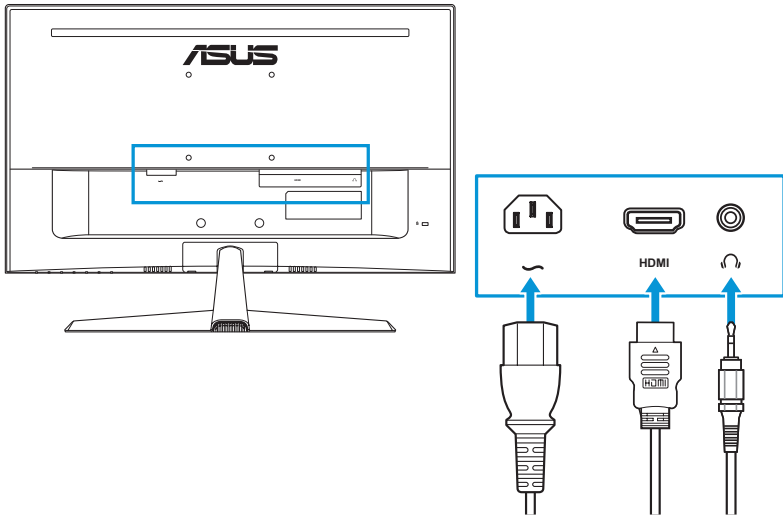
- We recommend that you cover the table surface with soft cloth to prevent damage to the monitor.
- Hold the base while removing the screw.



- The VESA wall mount kit (100 x 100 mm) is purchased separately.
- Use only the UL Listed Wall Mount Bracket with minimum weight/load 22.7kg (Screw size: M4 x 10 mm).

## 2.4 Connecting the cables

Connect the cables as the following instructions:



- **To connect the power cord:** Connect one end of the power cord securely to the monitor's AC input port, the other end to a power outlet.
- **To connect the HDMI cable:**
  - a. Plug one end of the HDMI cable to the monitor's HDMI port.
  - b. Connect the other end of the HDMI cable to your computer's HDMI port.
- **To use the earphone:** Connect the end with plug type to the monitor's earphone jack when an HDMI signal is fed.




---

If you need to replace the power cord or the connection cable(s), please contact ASUS customer service.

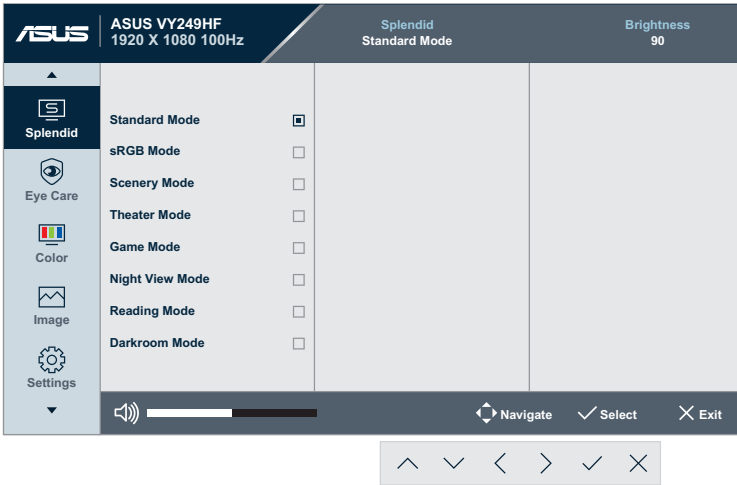
---

## 2.5 Turning on the monitor

Press the power button . See page 1-3 for the location of the power button. The power indicator lights up in white to show that the monitor is ON.

# 3.1 OSD (On-Screen Display) menu

## 3.1.1 How to reconfigure

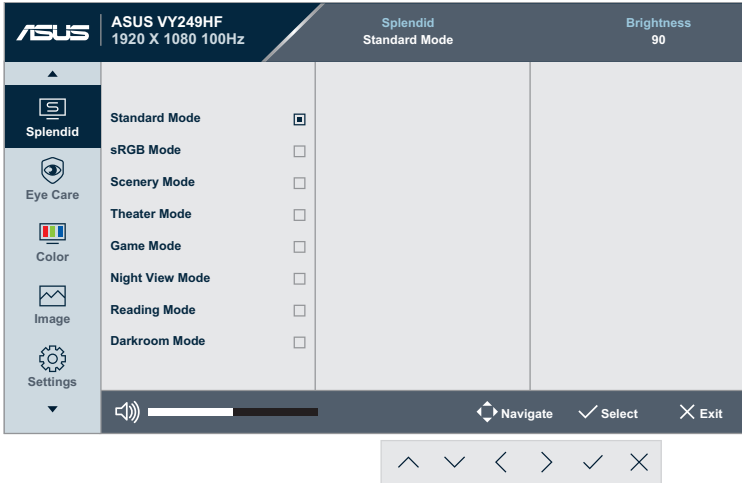


1. Press any button (except the Power button) to display the OSD menu.
2. Press the Menu button to activate the OSD menu.
3. Press the buttons as indicated on the screen to navigate through the functions. Highlight the desired function and press to activate it. If the function selected has a sub-menu, press or again to navigate through the sub-menu functions. Highlight the desired sub-menu function and press to activate it.
4. Press and to change the settings of the selected function.
5. To exit and save the OSD menu, press repeatedly until the OSD menu disappears. To adjust other functions, repeat steps 1-4.

## 3.1.2 OSD function introduction

### 1. Splendid

This function contains eight sub-functions that you can select for your preference.



- **Standard Mode:** Best choice for document editing with Splendid Video Enhancement.



---

Standard Mode meets Energy Star® requirements.

---

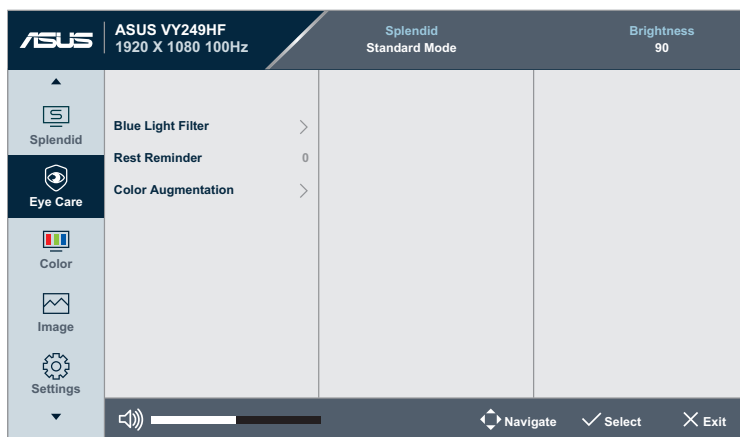
- **sRGB Mode:** Best choice for viewing photos and graphics from PCs.
- **Scenery mode:** Best choice for scenery photo displaying with Splendid Video Enhancement.
- **Theater Mode:** Best choice for movie watching with Splendid Video Enhancement.
- **Game Mode:** Best choice for game playing with Splendid Video Enhancement.
- **Night View Mode:** Best choice for playing dark-scene game or watching dark-scene movie with Splendid Video Enhancement.
- **Reading Mode:** Best choice for book reading.
- **Darkroom Mode:** Best choice for a weak ambient light environment.



- In the Standard mode, the following function(s) are not user-configurable: Saturation, Sharpness, ASCR, and Motion Sync.
- In the sRGB mode, the following function(s) are not user-configurable: Brightness, Contrast, Saturation, Color Temp., Sharpness, ASCR, Color Augmentation, and Motion Sync.
- In the Reading mode, the following function(s) are not user-configurable: Contrast, Saturation, Color Temp., ASCR, and Motion Sync.

## 2. Eye Care

In this function, you can adjust settings to better protect your eyes.



- **Blue Light Filter:** In this function, you can adjust the blue light filter from 0 to max.
  - **0:** No changes.
  - **Max:** The higher the level, the less blue light is scattered. When blue light filter is activated, the default settings of Standard Mode will be automatically imported. Besides maximum level, the brightness is user-configurable. Maximum is the optimized setting. It is compliance with TUV low blue light certification\*. The brightness function is not user configurable.



\*When color augmentation is in default value (50).



---

Please refer to the following to alleviate eye strains:

- Users should take some time away from the display if working for long hours: It is advised to take short breaks (at least 5 mins) after around 1 hour of continuous working at the computer. Taking short and frequent breaks is more effective than a single longer break.
  - To minimize eye strain and dryness in your eyes, users should rest the eye periodically by focusing on objects that are far away.
  - Eye exercises can help to reduce eye strain. Repeat these exercises often. If eye strain continues, please contact a physician. Eye exercises: (1) Repeating look up and down (2) Slowly roll your eyes (3) Move your eyes diagonal.
  - High energy blue light may lead to eye strain and AMD(Age-Related Macular Degeneration). Blue light Filter reduces 70% (max.) harmful blue light to avoid CVS(Computer Vision Syndrome) when the user adjusts the blue light filter bar to the maximum level.
- 

- **Rest Reminder:** This function provides you a rest reminder according to how long you set for your working time. For example, if you set a 30-minute working time and there will be a pop up reminder appeared on the upper left corner of the monitor for 5 seconds when time is up. Press any key to make this reminder OSD disappear.



---

When this function is enabled, the following functions are not available: GamePlus and QuickFit.

---

- **Color Augmentation:** The adjusting range of color enhancement is from 0 to 100.



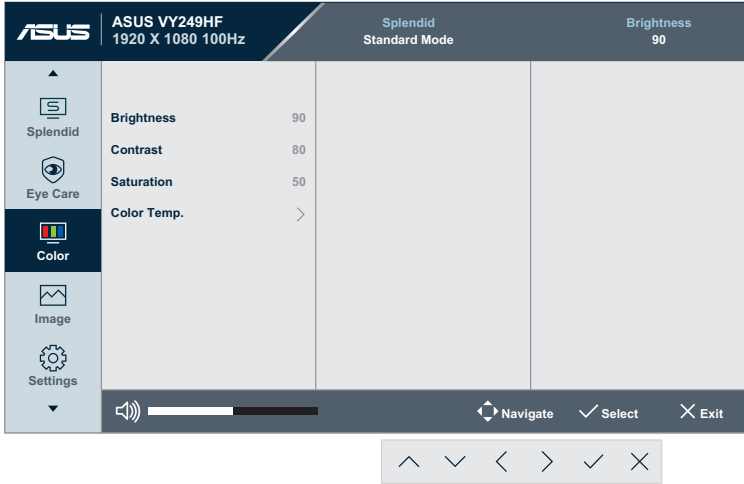
---

This function is not available in sRGB mode in the Splendid menu.

---

### 3. Color

Set a desired color setting from this menu.



- **Brightness:** The adjusting range is from 0 to 100.
- **Contrast:** The adjusting range is from 0 to 100.
- **Saturation:** The adjusting range is from 0 to 100.
- **Color Temp.:** Contains 4 modes including **Cool**, **Normal**, **Warm** and **User Mode**.



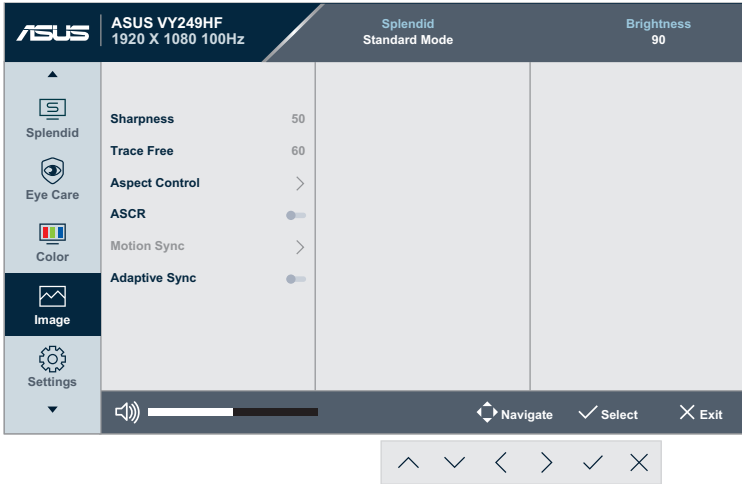
---

In the User Mode, colors of R (Red), G (Green), and B (Blue) are user-configurable; the adjusting range is from 0 to 100.

---

## 4. Image

Set the image related setting from this menu.



- **Sharpness:** The adjusting range is from 0 to 100.
- **Trace Free:** Adjusts the response time of the monitor.
- **Aspect Control:** Adjusts the aspect ratio to **Full** or **1:1 Ratio**.
- **ASCR:** Turns on/off the ASCR (ASUS Smart Contrast Ratio) function.
- **Motion Sync:** Offers a more clear mode while displaying motion pictures. Please note this function only works when the refresh rate is 75Hz ~ 100Hz. It includes two modes: **Normal Mode** and **Advanced Mode**, which can provide different effects.



- When this function is enabled, the system will automatically reduce the brightness level.
- If the Adaptive Sync is enabled, the Motion Sync function is grayed out.

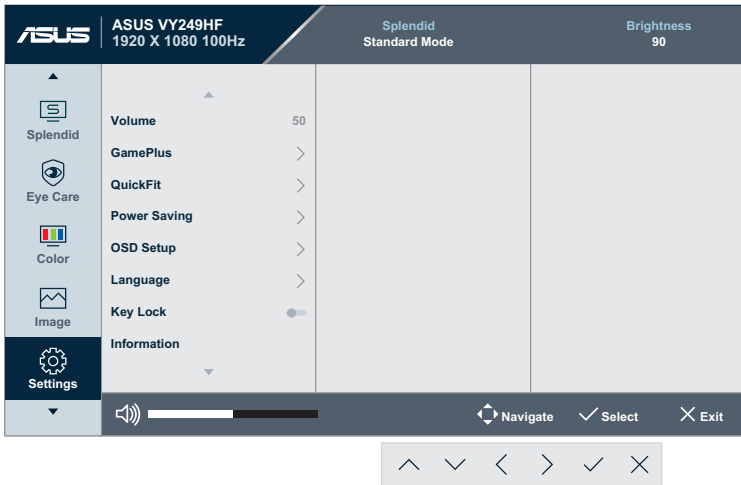
- **Adaptive Sync:** Allows an Adaptive Sync supported graphics source to dynamically adjust display refresh rate based on typical content frame rates for power efficient, virtually stutter free and low-latency display update.



This function is not available when Motion Sync is enabled.

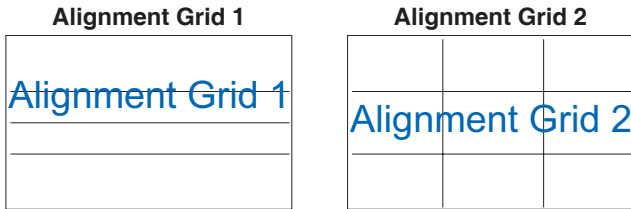
## 5. Settings

Allows you to adjust the system.

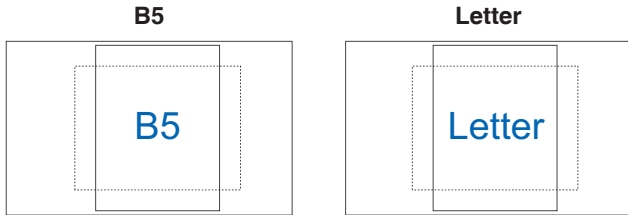


- **Volume:** Adjusts the volume level.
- **GamePlus:** The GamePlus function provides a toolkit and creates a better gaming environment for users when playing different types of games.
  - **Crosshair:** The crosshair overlay with different crosshair options lets you choose the one that best suits the game you're playing.
  - **Timer:** You can position the timer on the upper left corner of the display so you can keep track of the gaming time.
  - **FPS Counter:** The FPS (frames per second) counter lets you know how smooth the game is running.
  - **Display Alignment:** Display Alignment displays alignment lines on 4 sides of the screen, serving as an easy and handy tool for you to line up multiple monitors perfectly.
- **QuickFit:** You can have a preview of the document or photo layout directly on screen without printing test copies.

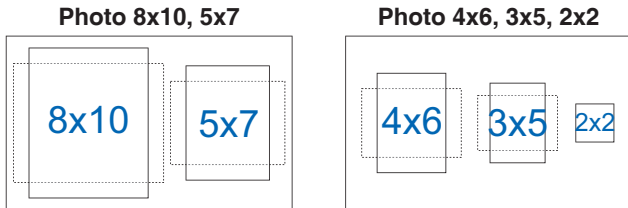
- **Alignment:** This facilitates designers and users to organize content and layout on one page and achieve a consistent look and feel.




- **Paper size:** You can view the documents in real size on the screen.



- **Photo:** The various real photo sizes displayed provides photographers and other users to accurately view and edit their photos in real size on the screen.

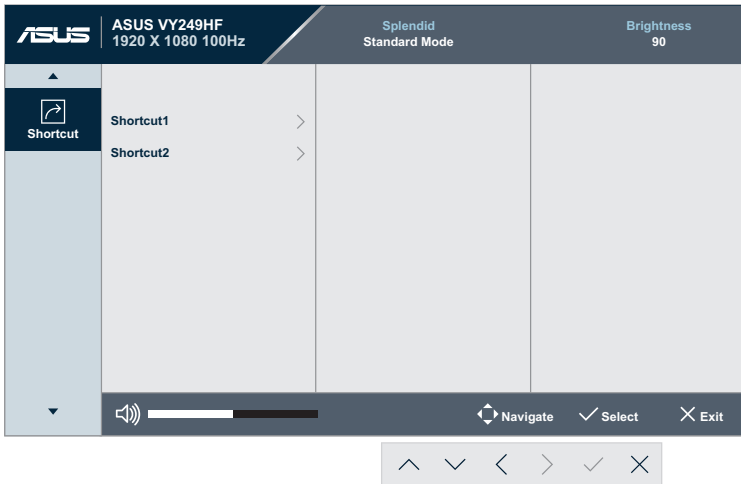


- **Power Saving:** Reduces power consumption. The default setting is **Deep Level**. When **Deep Level** is selected, the maximum brightness value is fixed and Splendid mode is fixed at **Standard Mode**.
- **OSD Setup:**
  - **OSD Timeout:** Adjusts the OSD timeout from 10 to 120 seconds.
  - **DDC/CI:** Enables or disables the DDC/CI function.
  - **Transparency:** Adjusts the OSD background from opaque to transparent.

- **Language:** There are 23 languages for your selection, including English, French, German, Spanish, Italian, Dutch, Russian, Polish, Czech, Croatian, Hungarian, Romanian, Portuguese, Turkish, Simplified Chinese, Traditional Chinese, Japanese, Korean, Persian, Thai, Indonesian, Ukrainian, and Vietnamese.
- **Key Lock:** To disable all function keys. Press the  Menu button for over 5 seconds to cancel the key lock function.
- **Information:** Shows the monitor information.
- **Power Indicator:** Turns the power LED indicator on/off.
- **Power Key Lock:** Enables or disables the power key.
- **All Reset:** "Yes" allows you to restore the default settings.

## 6. Shortcut

Defines the functions for Shortcut 1 and 2 buttons.



- **Shortcut 1/Shortcut 2:** Selects a function for Shortcut 1 and 2 buttons.



When a certain function is selected or activated, your shortcut key may not support. Available function choices for shortcut: Blue Light Filter, Splendid, Brightness, Contrast, Color Temp., Volume, GamePlus, Rest Reminder, and Color Augmentation.

## 3.2 Specifications

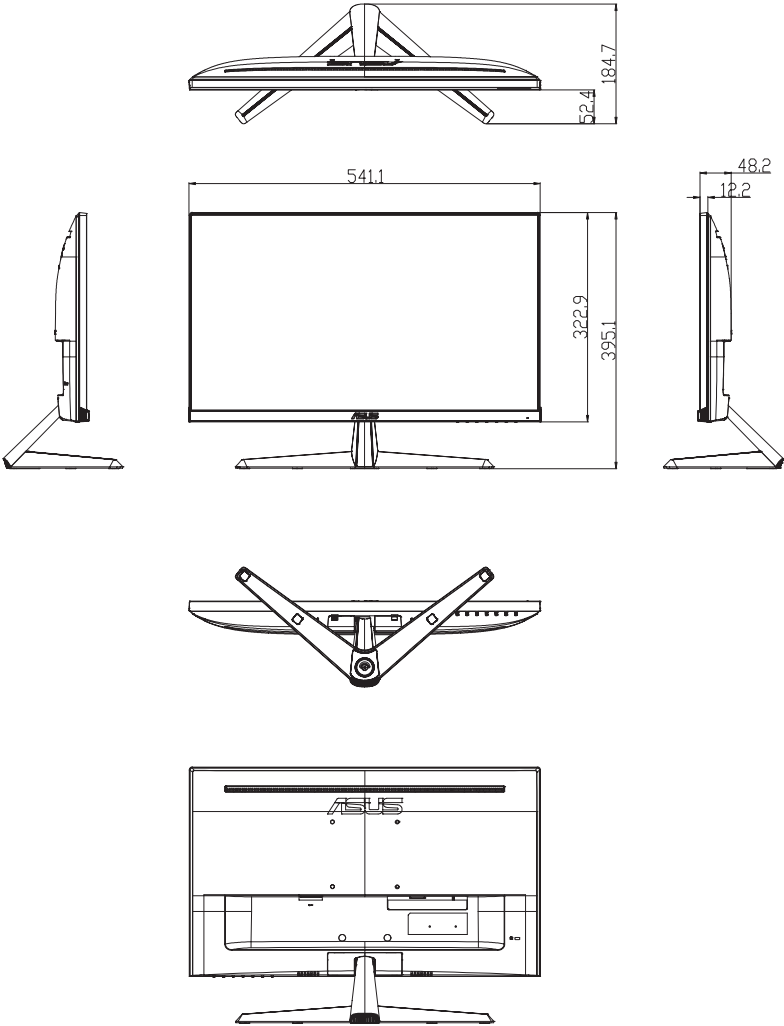
Model	VY249HF/VY249HF-W
Panel Type	TFT LCD
Panel Size	23.8"W (16:9, 60.47 cm) wide screen
Max. Resolution	1920 x 1080
Pixel Pitch	0.2745 mm (H) x 0.2745 mm (V)
Brightness (Typ.)	250 cd/m <sup>2</sup>
Contrast Ratio (Typ.)	1300:1
Contrast Ratio (Max.)	100,000,000:1 (with ASCR on)
Viewing Angle (H/V) (CR>10)	178°(V); 178°(H)
Display Colors	16.7M colors (6 bits + A-FRC)
Response Time	1ms MPRT, 5ms GTG
Color Temperature Selection	4 color temperatures
Signal Input	HDMI v1.4 x 1
Earphone Jack	Yes
Audio Input	No
Speaker (Built-in)	No
USB 3.2 Gen1 Port	No
Colors	Black/White
Power LED	White (On)/Amber (Standby)
Tilt	+22° ~ -5°
VESA Wall Mount	100 x 100 mm
Kensington Lock	Yes
Voltage Rating	AC: 100 ~ 240V at 50/60Hz
Power Consumption	Power On: 17W**, Standby: <0.5W, Power Off: <0.3W
Temperature (Operating)	0 ~ 40°C
Temperature (Non-Operating)	-20°C ~ 60°C
Dimension (W x H x D) Without Stand	541 x 323 x 48 mm
Dimensions (W x H x D) With Stand	541 x 393 x 185 mm 603 x 392 x 130 mm (package)
Weight (Esti.)	3.4 kg (Net); 2.9 kg (without stand); 4.6 kg (Gross)

Model	VY249HF/VY249HF-W
Multi-languages	<b>Language:</b> There are 23 languages for your selection, including English, French, German, Spanish, Italian, Dutch, Russian, Polish, Czech, Croatian, Hungarian, Romanian, Portuguese, Turkish, Simplified Chinese, Traditional Chinese, Japanese, Korean, Persian, Thai, Indonesian, Ukrainian, and Vietnamese.
Accessories	Power cord, Quick Start Guide, Warranty card, 4 screws, HDMI cable, L-shaped screwdriver (optional)
Compliance and Standards	CTUVS, FCC, ICES-3, EPEAT silver (VY249HF only), CB, CE, ErP, EU Energy label, WEEE, ISO 9241-307, UkrSEPRO, Ukraine Energy, CU,CCC, China Energy Label, CECP, BSMI, RCM, MEPS, VCCI, PSE, PC Recycle, J-MOSS, KC, KCC, KMEPS, VN MEPS, Energy Star 8.0, TCO 9.0, CEC, HDMI, WHQL Windows 10/11, TUV Flicker free, TUV Low Blue Light


\*Specifications subject to change without notice.

\*\*Measuring a screen brightness of 200 nits without audio/ USB/ Card reader connection.

### 3.3 Product dimensions



## 3.4 Troubleshooting (FAQ)

Problem	Possible Solution
Power LED is not ON	<ul style="list-style-type: none"> <li>• Press the  button to check if the monitor is turned on.</li> <li>• Check if the adapter and power cord are properly connected to the monitor and the power outlet.</li> <li>• Check the <b>Power Indicator</b> function in the OSD menu. Select "ON" to turn on the power LED.</li> </ul>
The power LED lights amber and there is no screen image	<ul style="list-style-type: none"> <li>• Check if the monitor and the computer are turned on.</li> <li>• Make sure the signal cable is properly connected the monitor and the computer.</li> <li>• Inspect the signal cable and make sure none of the pins are bent.</li> <li>• Connect the computer with another available monitor to check if the computer is properly working.</li> </ul>
Screen image is too light or dark	<ul style="list-style-type: none"> <li>• Adjust the <b>Contrast</b> and <b>Brightness</b> settings via OSD.</li> </ul>
Screen image bounces or a wave pattern is present in the image	<ul style="list-style-type: none"> <li>• Make sure the signal cable is properly connected to the monitor and the computer.</li> <li>• Move electrical devices that may cause electrical interference.</li> </ul>
Screen image has color defects (white does not look white)	<ul style="list-style-type: none"> <li>• Inspect the signal cable and make sure that none of the pins are bent.</li> <li>• Perform <b>Reset</b> via OSD.</li> <li>• Select the appropriate color temperature (<b>Color Temp.</b>) via OSD.</li> </ul>
No sound or sound is low	<ul style="list-style-type: none"> <li>• Adjust the volume settings of your monitor or computer.</li> <li>• Make sure the computer sound card driver is properly installed and activated.</li> </ul>

### 3.5 Supported operating mode for HDMI signal

Resolution Frequency	Horizontal Frequency (KHz)	Vertical Frequency (Hz)	DCLK (MHz)
640x480@60Hz	31.46	59.94	25.17
640x480@67Hz	35.00	67.00	30.24
640x480@72Hz	37.86	72.80	31.50
640x480@75Hz	37.50	75.00	31.50
720x400@70Hz	31.46	70.16	28.35
800x600@56Hz	35.15	56.25	36.00
800x600@60Hz	37.87	60.31	40.00
800x600@72Hz	48.07	72.18	50.00
800x600@75Hz	46.87	75.00	49.50
1024x768@60Hz	48.36	60.00	65.00
1024x768@70Hz	56.47	70.06	75.00
1024x768@75Hz	60.02	75.02	78.75
1152x864@75Hz	67.50	75.00	108.00
1280x720@60Hz (RB)	44.77	59.85	74.50
1280x720@60Hz	45.00	60.00	74.25
1280x800@60Hz	49.70	59.81	83.50
1280x960@60Hz	60.00	60.00	108.00
1280x1024@60Hz	63.98	60.00	108.00
1280x1024@75Hz	79.97	75.02	135.00
1440x900@60Hz (CVT RB)	55.46	59.90	88.75
1440x900@60Hz	55.93	59.88	106.50
1680x1050@60Hz (CVT RB)	64.67	59.88	119.00
1680x1050@60Hz	65.29	59.95	146.25
1920x1080@50Hz	56.25	50.00	148.50
1920x1080@60Hz	67.50	60.00	148.50
1920x1080@75Hz	83.89	74.97	174.50
1920x1080@100Hz	110.00	100.00	228.80

\* Modes not listed in the table may not be supported. For optimal resolution, we recommend that you choose a mode listed in the table above.