



Questo manuale d'istruzione è fornito da trovaprezzi.it. Scopri tutte le offerte per [Bernette Chicago 5](#) o cerca il tuo prodotto tra le [migliori offerte di Macchine da Cucire](#)



Questo manuale d'istruzione è fornito da trovaprezzi.it. Scopri tutte le offerte per [Bernette Chicago 5](#) o cerca il tuo prodotto tra le [migliori offerte di Macchine da Cucire](#)

my city

my bernette

bernette sublime

Chicago 5  
Chicago 7

Quick Start Guide

**Machine Overview** 2  
Details of the sewing machine

**Display Explanation & Operating Functions** 3  
Buttons Explanation

**Machine Setup** 4-5  
Threading the Upper Thread  
Inserting the Bobbin

**Start to sew** 6-7  
How to select a stitch  
Enter a sequence of stitch motifs in Memory Enter Mode

**Start to embroider (Chicago 7)** 8-10  
Attaching the embroidery foot  
Connecting the embroidery module  
Hooping the fabric  
Starting to embroider

**Machine Overview**

Details of the sewing machine

- 1 Thread guide
- 2 Presser foot pressure
- 3 Bobbin winder pre-tension
- 4 Thread tension dial
- 5 Spool pin
- 6 Hole for second spool pin
- 7 Bobbin winder spindle
- 8 Bobbin winder stopper
- 9 LCD display
- 10 Speed dial
- 11 Operation buttons
- 12 Thread cutter
- 13 One-step buttonhole lever
- 14 Needle threader
- 15 Stitch plate cover
- 16 Sewing table and accessory box
- 17 Selection buttons
- 18 Function buttons
- 19 Top cover
- 20 Handwheel
- 21 Embroidery module connector
- 22 Power switch
- 23 Power cord
- 24 Foot control connector
- 25 Handle
- 26 Presser foot lever
- 27 Feed dog lever
- 28 Embroidery module (Chicago 7)

**Display Explanation & Operating Functions**

Buttons Explanation

- 1 Start/Stop button
- 2 Reverse / Exit button
- 3 Auto-lock / Trace button
- 4 Needle up/down button
- 5 Speed dial
- 6 OK button
- 7 Arrow buttons
- 8 Direct pattern selection and Number buttons
- 9 Mirror image button
- 10 Elongation / Resize button
- 11 Twin Needle / Rotate button
- 12 Stitch length adjustment / Stitch forward/back button
- 13 Stitch width adjustment / Colour forward/back button
- 14 Memory / Setup button
- 15 Clear / Return button
- 16 Pattern group selection / Colour setup button

**NOTE**  
The icon on the button is for sewing mode, and the icon on the side of the button is for embroidery mode.

**Machine Setup**

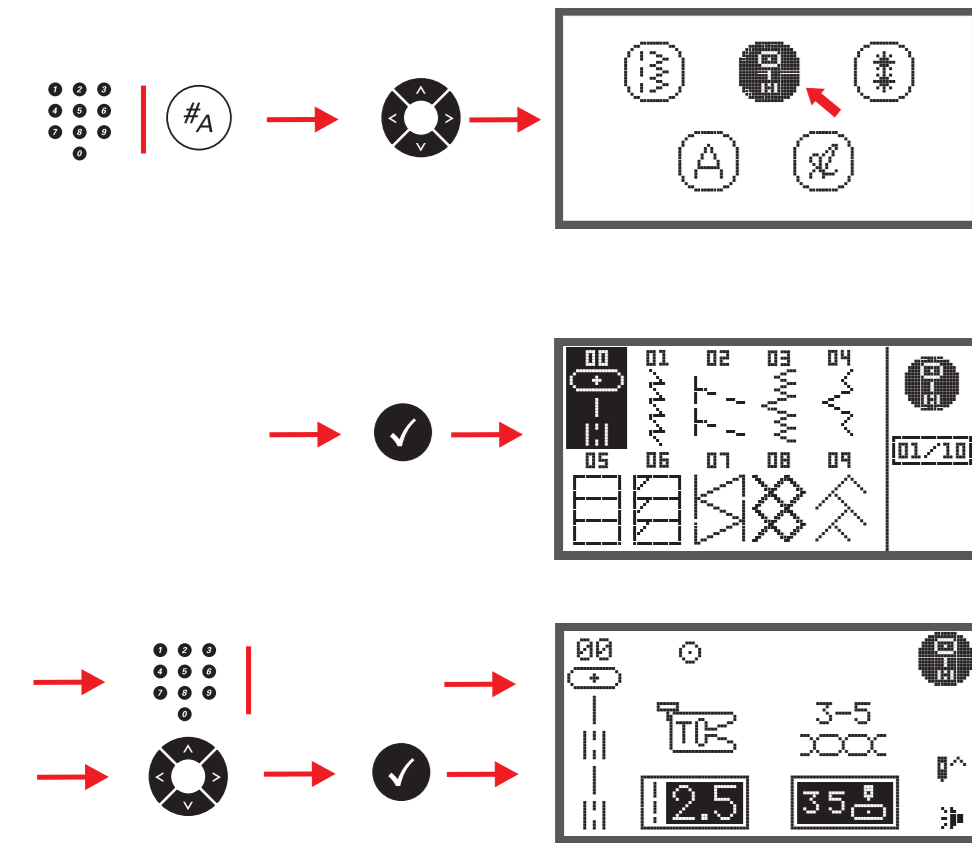
Threading the Upper Thread

**NOTE**  
It is important to carry out the threading correctly as by not doing so several sewing problems can occur.

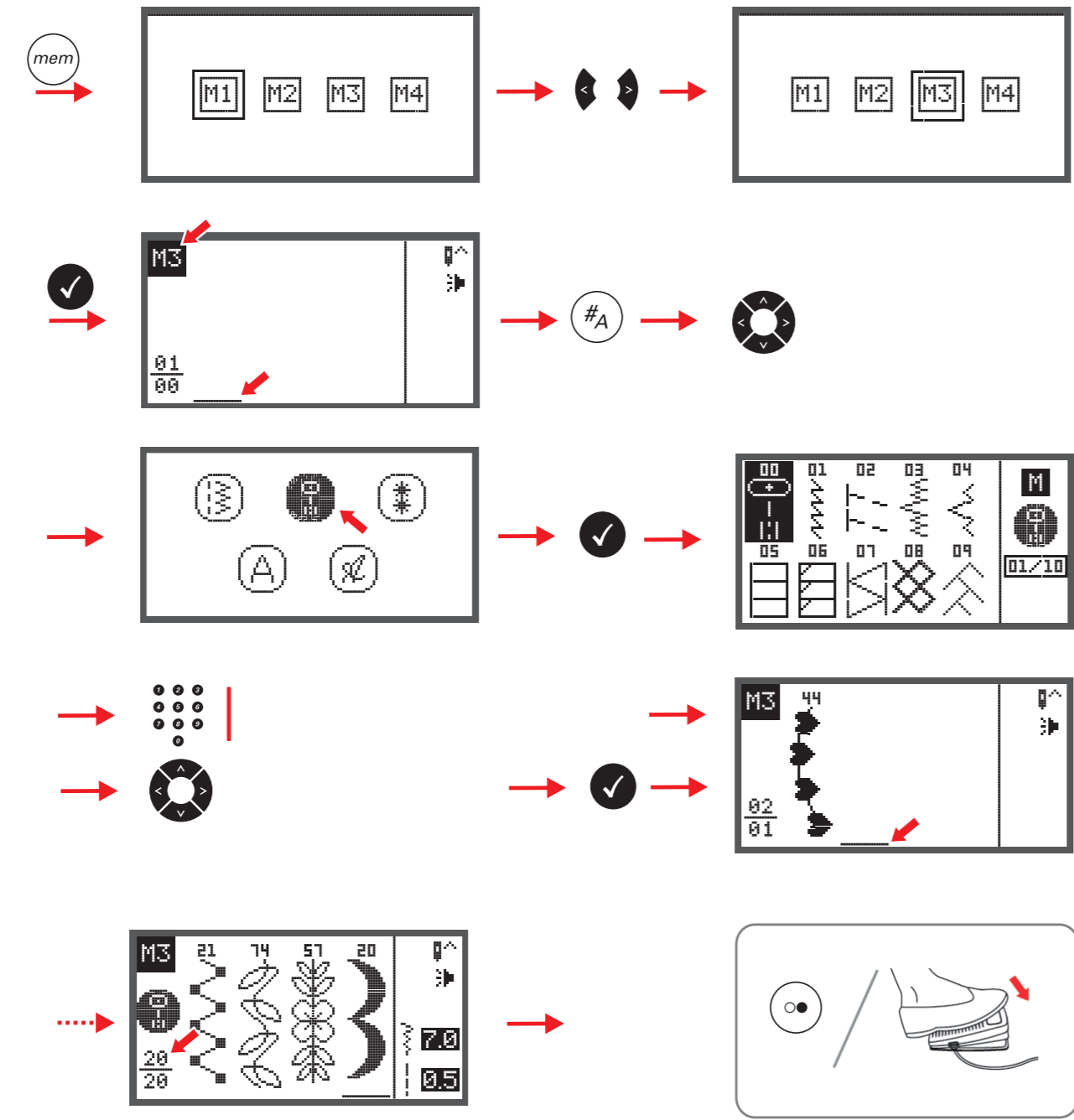
**Machine Setup**

Inserting the Bobbin

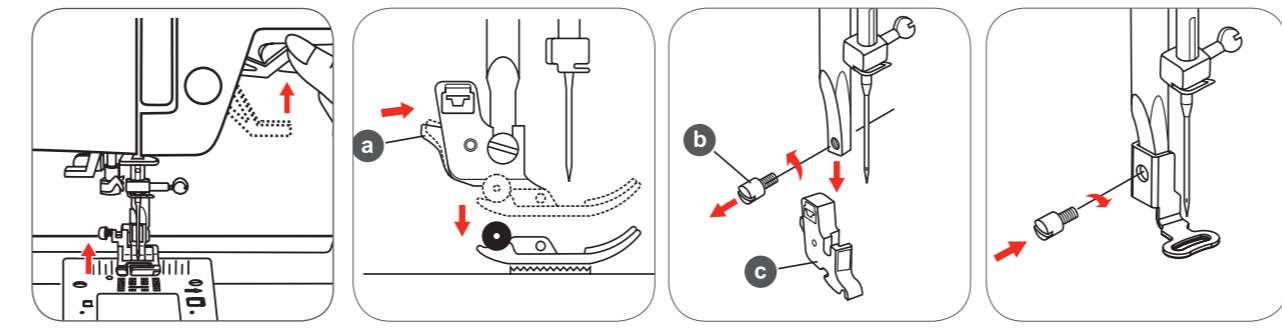
How to select a stitch



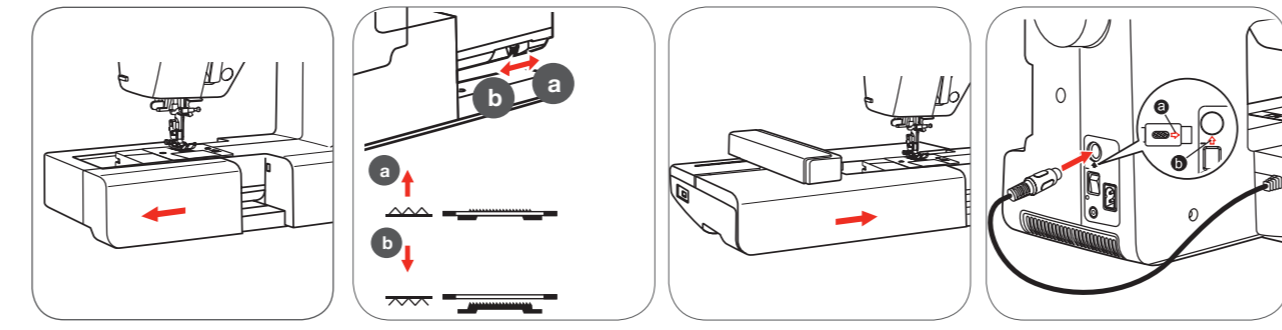
Enter a sequence of stitch motifs in Memory Enter Mode



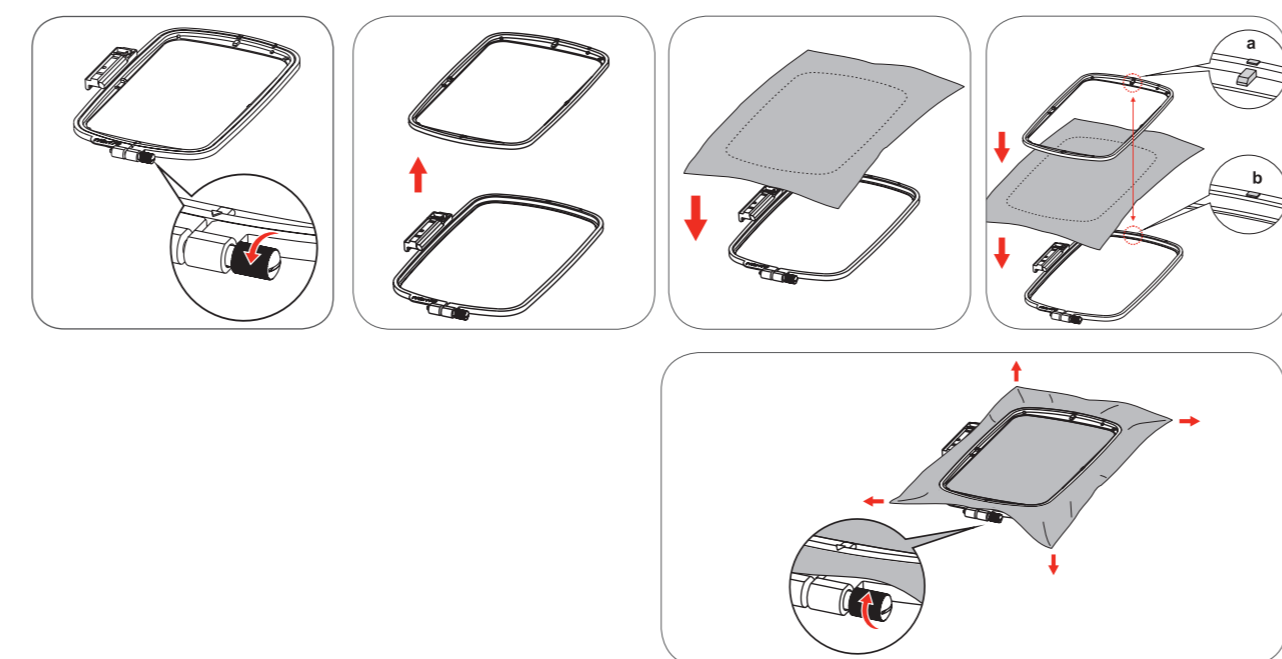
Attaching the embroidery foot



Connecting the embroidery module



Hooping the fabric



Starting to embroider

