



Questo manuale d'istruzione è fornito da trovaprezzi.it. Scopri tutte le offerte per [Blaupunkt PS05.2DB](#) o cerca il tuo prodotto tra le [migliori offerte di Diffusori Audio](#)

 **trovaprezzi.it**

Questo manuale d'istruzione è fornito da trovaprezzi.it. Scopri tutte le offerte per [Blaupunkt PS05.2DB](#) o cerca il tuo prodotto tra le [migliori offerte di Diffusori Audio](#)

 **BLAUPUNKT**

PS05DB

**Owner's manual**  
**Instrukcja obsługi**  
**Návod pro obsluhu**  
**Užívateľská príručka**  
**Használati útmutató**



***Enjoy it.***

Party speaker system  
System audio  
Audio systém  
Système audio  
Audio rendszer



Many thanks to buy our model, please read and reference this manual carefully before operate the unit. Please keep the manual for future operation reference.

## IMPORTANT SAFETY INSTRUCTIONS



### Caution:

To reduce the risk of electric shock, do not dismantle the product and do not expose the apparatus to rain or moisture. No user-serviceable parts inside. Refer servicing to qualified personnel only.

### Explanation of Graphical Symbols:



The lightning flash within an equilateral triangle is intended to alert you to the presence of uninsulated dangerous voltage within the product's enclosure that may be of sufficient magnitude to constitute an electric shock to a person or persons.



The exclamation point within an equilateral triangle is intended to alert you to the presence of important operating and maintenance (servicing) instructions in the literature accompanying the product.

To achieve the utmost in enjoyment and performance, and in order to become familiar with its features, please read this manual carefully before attempting to operate this product. This will assure you years of trouble free performance and listening pleasure.

## Important Notes

This safety and operating instruction should be retained for future reference.

- a. The apparatus should not be exposed to dripping or splashing or placed in a humid atmosphere such as a bathroom.
- b. Do not install the product in the following areas:
  - a). Places exposed to direct sunlight or close to radiators.
  - b). On top of other stereo equipment that radiate too much heat.
  - c). Blocking ventilation or in a dusty area.
  - d). Areas where there is constant vibration.
  - e). Humid or moist places.
- c. Do not place near candles or other naked flames.
- d. Operate the product only as instructed in this manual.
- e. Before turning on the power for the first time, make sure the power adaptor is properly connected.

For safety reasons, do not remove any covers or attempt to gain access to the inside of the product. Refer any servicing to qualified personnel.

Do not attempt to remove any screws, or open the casing of the unit; there are no user serviceable parts inside. Refer all servicing to qualified service personnel.

## SAFETY INSTRUCTIONS

- 1. Read Instructions** - All the safety and operating instructions must be read before the product is operated.
- 2. Retain Instructions** - The safety and operating instructions should be kept with the product for future reference.
- 3. Heed warnings** - All warnings on the product and in the operating instructions should be adhered to.
- 4. Follow instructions** - All operating and users' instructions should be followed.
- 5. Installation** - Install in accordance with the manufacturer's instructions.
- 6. Power sources** - This product should be operated only from the type of power source indicated by the marking adjacent to the power cord entry. If you are not sure of the type of power supply to your home, consult your product dealer or local power company.
- 7. Grounding or polarization** - the product is not required to be grounded. Ensure that the plug is fully inserted into the wall outlet or extension cord receptacle to prevent blade or pin exposure. Some versions of the product are equipped with a power cord fitted with a polarized alternating line plug (a plug having one blade wider than the other). This plug will fit onto the power outlet only one way. This is a safety feature. If you are unable to insert the plug fully into the outlet, try reversing the plug. If the plug should still fail to fit, contact your electrician to replace your obsolete outlet. Do not defeat the safety purpose of the polarized plug. When using an extension power-supply cord or a power-supply cord other than that supplied with the appliance, it should be fitted with the appropriate molded plugs and carry safety approval appropriate to the country of use.
- 8. Power cord protection** - Power-supply cords should be routed so that they are not likely to be walked on, kinked or pinched by items placed on or against them, paying particular attention to cords from plugs, receptacles and the point where they exit from the product.
- 9. Overloading** - Do not overload wall outlets, extension cords, or multiple sockets, as this can result in a risk of fire or electric shock.
- 10. Ventilation** - The product must be properly ventilated. Do not place the product on a bed, sofa, or other similar surface. Do not cover the product with any items such as tablecloths, newspapers, etc.

**11. Heat** - The product should be situated away from heat sources such as radiators, heat registers, stoves, or other products, including amplifiers that produce heat. No naked flame sources, such as lighted candles, should be placed on the apparatus.

**12. Water and moisture** - To reduce the risk of fire or electric shock, do not expose the product to rain, dripping, splashing or excessive moisture such as in a sauna or bathroom. Do not use this product near water, for example, near a bathtub, washbowl, kitchen sink, laundry tub, in a wet basement or near a swimming pool (or similar).

**13. Object and Liquid Entry** - Never push objects of any kind into this product through openings, as they may touch dangerous voltage points or short circuit parts that could result in a fire or electric shock. Never spill liquid of any kind on the product. Do not place any object containing liquid on top of the product.

**14. Cleaning** - Unplug the product from the wall outlet before cleaning. Dust in the woofer may be cleaned with a dry cloth. If you wish to use an aerosol cleaning spray, do not spray directly on the cabinet; spray onto the cloth. Be careful not to damage the drive units.

**15. Attachments** - Do not use attachments not recommended by the product manufacturer, as they may cause hazards.

**16. Accessories** - Do not place this product on an unstable cart, stand, tripod, bracket or table. The product may fall, causing serious injury to a child or adult, and serious damage to the product. Use only with a cart, stand, tripod, bracket or table recommended by the manufacturer or sold with the product. Any mounting of the product should follow the manufacturer's instructions and should use a mounting accessory recommended by the manufacturer.

**17. Moving the product** - A product and cart combination should be moved with care. Quick stops, excessive force and uneven surfaces may cause the product and cart combination to overturn.

**18. Unused periods** - The power cord of the appliance should be unplugged from the outlet during lightning storms or when the apparatus is left unused for a long period of time.

**19. Servicing** - Do not attempt to service this product yourself, as opening or removing covers may expose you to dangerous voltage or other hazards. Refer all servicing to qualified service personnel.

**20.** Please remove the power plug from the main power source or wall power source when not in use. When plugged in to a power source, the system is in standby mode, so the power is not entirely cut off.

**21. Replacement parts** - When replacement parts are required, ensure that the service technician has used replacement parts specified by the manufacturer or have the same characteristics as the original part. Unauthorized substitutions may result in fire, electric shock or other hazards.

**22. Mains fuses** - For continued protection against fire hazard, use fuses only of the correct type and rating. The correct fuse specification for each voltage range is marked on the product.

**23.** Do not turn up the volume while listening to a section with very low level inputs or no audio signals. If you do, the speaker may be damaged when a peak level section is suddenly played.

**24.** The only means of completely disconnecting the product from the power supply is by removing the power cord from the wall outlet or the product. The wall outlet or the power cord entry to the product must remain freely accessible at all times while the product is in use.

**25.** Try to install the product near a wall socket or extension cord and shall be easily accessible.

**26.** The highest environmental temperature suitable for this product is 35°C.

**27. ESD hints** - The normal function of the product may be disturbed by strong Electro-Magnetic Interference. If so, simply reset the product to resume normal operation by following the instruction manual. In case the function could not resume, please use the product in other location.

#### **28. Battery**

1). The batteries must not be exposed to excessive heat such as sunshine, fire or the like.

2). The batteries should be drawn to the environmental aspects of battery disposal.

3). Battery usage CAUTION-to prevent battery leakage which may result in body injuries, property damage, or damage to the apparatus:

- Install all batteries correctly, + and – as marked on the apparatus.
- Do not mix batteries (old and new or carbon and alkaline, etc.)
- Remove batteries when the unit is not used for a long time.

## Bluetooth®

The Bluetooth® word mark and logos are registered trademarks owned by Bluetooth SIG, Inc. and any use of such marks by us is under license. Other trademarks and trade names are those of their respective owners.

### **ERP2 - (Energy Related Products) note**

This product with ecodesign complies with the stage 2 requirements of Commission Regulation (EC) NO. 1275/2008 implementing Directive 2009/125/EC regard to standby and off mode electric power consumption of electronic household and office equipment. After 15 minutes without any audio input, the device will automatically switch into standby mode. Follow up the instruction manual to resume the operation.

### **Important note:**

This device is equipped with an energy saving mode: if no signal is given during 15 minutes the device will switch automatically into standby mode in order to save energy (ERP 2 standard). Please note that low volume setting in the audio source may be recognized as “no audio signal”: this will affect the capability of signal detection from the device and can also originate an automatic switch into standby mode. If this happens please reactivate the audio signal transmission or increase the volume setting on the audio source player (MP3 player, etc.), in order to resume playback. Please contact the local service center if the problem remains.

### **Warning**

This appliance is not intended for use by persons (including children) with reduced physical sensory or mental capabilities, or lack of experience and knowledge, unless they have been given supervision or instruction concerning use of the appliance by a person responsible for their safety. Children should be supervised to ensure that they do not play with the appliance.

1. To prevent possible hearing damage, do not listen at high volume levels for long time periods respectively a sudden high volume level.



2. Never use the device unsupervised! Switch off the device whenever you are not using it, even if this only for a short while.
3. The appliance is not intended to be operated by means of an external timer or separate remote control system.

4. If the supply cord is damaged, it must be replaced by the manufacturer, its service agent or similarly qualified persons in order to avoid a hazard.
5. Before operating this system, check the voltage of this system to see if it is identical to the voltage of your local power supply.
6. The unit should not be impeded by covering the ventilation opening with items such as newspaper, table-cloths, curtains etc. Make sure that there are at least 20 cm of space above and at least 5 cm of space on each side of the unit.
7. The apparatus must not be exposed to dripping or splashing and that objects filled with liquids, such as vases, must not be placed on the apparatus.
8. To prevent fire or shock hazard, do not expose this equipment to hot places, rain, moisture or dust.
9. Do not locate this unit near any water sources e.g. taps, bathtubs, washing machines or swimming pools. Ensure that you place the unit on a dry, stable surface.
10. Do not place this unit close to a strong magnetic field.
11. Do not place the unit on a amplifier or receiver.
12. Do not place this unit in a damp area as the moisture will affect the life of electric components.
13. If the system is brought directly from a cold to a warm location, or is placed in a very damp room, moisture may condense on the lens inside the player. If this occurs, the system will not operate properly. Please leave the system turned on for about an hour until the moisture evaporates.
14. Do not attempt to clean the unit with chemical solvents as this might damage the finish. Wipe with a clean, dry or slightly damp cloth.
15. When removing the power plug from the wall outlet, always pull directly on the plug, never pull on the cord.
16. The mains plug is used as the disconnect device, the disconnect device must remain readily operable.

## NOTICE



Conformity

Hereby, Blaupunkt Competence Center 2N-Everpol Sp. z o.o., declares that this equipment is in compliance with the essential requirement and other relevant provisions of Directive 2014/53/EU. Declaration of conformity can be obtained from the product page at [www.blaupunkt.com](http://www.blaupunkt.com).  
Responsible party: 2N-Everpol Sp. z o.o, Puławska 403A, 02-801 Warsaw, Poland,  
Phone: +48 22 331 99 59, E-mail: [info@everpol.pl](mailto:info@everpol.pl)



Your products is designed an manufactured with high quality materials and components, which can be recycled and reused.



When this crossed-out wheeled bin symbol is attached to a product it means that the product is covered by the European Directive 2012/19/EU. Please inform yourself about the local separate collection system for electrical and electronic products. Please cat according to your local rules and do not dispose of your old products with your normal household waste. Correct disposal of your old product helps to prevent potential negative consequences for the environment and human health.



Your product contains batteries covered by the European Directive 2013/56/EU, which cannot be disposed with normal household waste. Please inform yourself about the local rules on separate collection of batteries because correct disposal helps to prevent negative consequences for the environmental and human health.

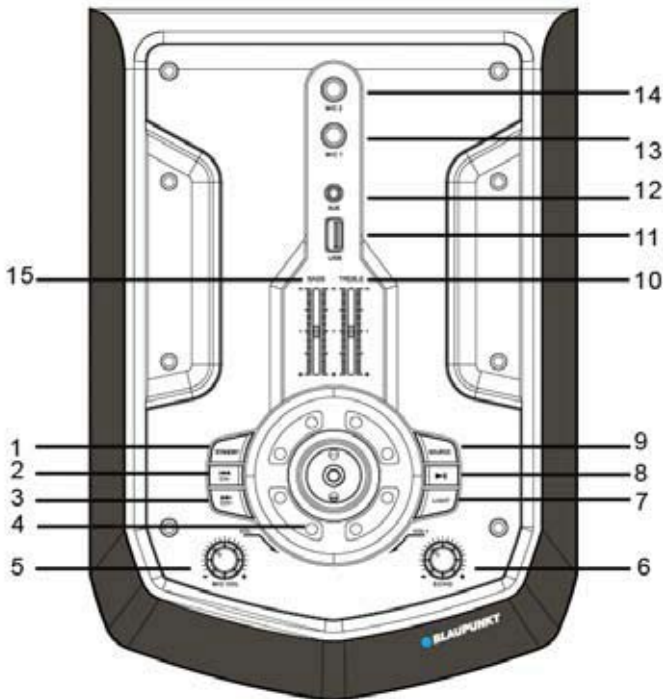
## Environmental information

All unnecessary packaging has been omitted. We have tried to make the packaging easy to separate into three materials: cardboard(box), polystyrene foam(buffer) and poly ethylene (bags, protective foam sheet). Your system consists of material which can be recycled and reused if disassembled by a specialized company. Please observe the local regulations regarding the disposal of packaging materials, exhausted batteries and old equipment.

Recording and playback of material might require consent. See Copyright Act 1956 and The Performer's Protection Acts 1958 to 1972.

Many thanks to buy our model, please read and reference this manual carefully before operate the unit. Please keep the manual for future operation reference.

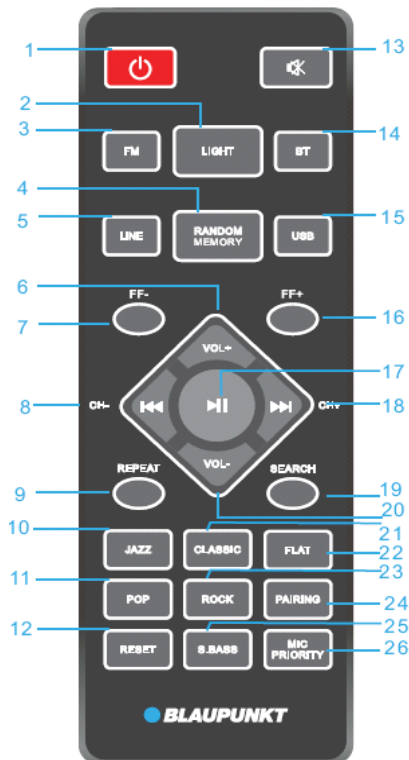
Control panel



- 1- Standby (Power on/off) ;
- 2,3- Previous & Next/Channel & Channel +;
- 4- Volume control;
- 5- Microphone volume control knob;
- 6- Microphone echo control knob;
- 7- Disco light
- 8- Play/pause;
- 9- Source;
- 10,15- Treble & bass adjustment;
- 11-USB port;
- 12-AUX IN jack;
- 13,14-Microphone 1 & 2 input;

**ENGLISH**

**Remote control**

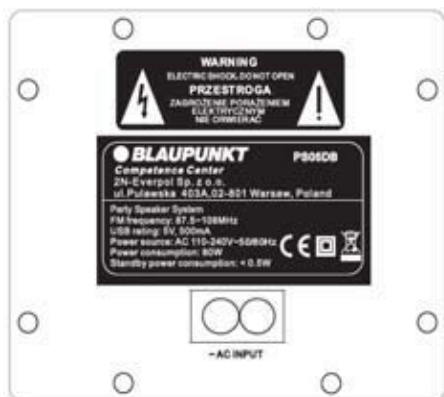


- 1- Power button;
- 2- Disco light button;
- 3,5,14,15- FM/LINE IN/Bluetooth/USB button;
- 4-Random on/off & memory button;
- 6,20-Volume +/- button;
- 7,16- FF-/+ button;
- 8,18-Previous & next, Channel -/+ button;
- 9-Repeat button ( repeat one/repeat all/off);
- 10,11,21,22,23-EQ(Jazz/POP/Classic/Flat/Rock)
- 12-Reset button;
- 13-Mute button;
- 17-Play/pause button;
- 19-Search button;
- 24- Pairing button;
- 25- Super bass button;
- 26- Microphone priority button;

### Power connection

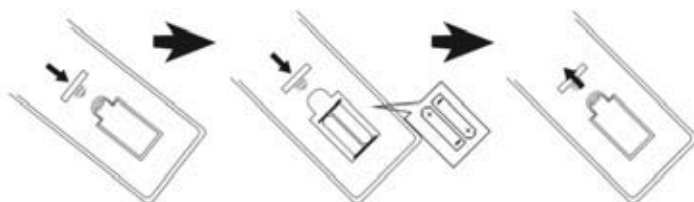
Please check if the power source is correspond to the rating voltage spec which locates on the rear panel of unit. If it does not match, please consult to your dealer or service center.

Insert the female terminal of power cord into the AC outlet, and then connect the power plug with the wall-mount socket in order to get the power source. Press the standby power button on the top panel or remote control to turn on the display screen which means the power connection is succeed now, and you can start the rest operation.



### Remote control battery installation

Open up the battery door and insert 2 x AAA dry battery into the compartment; please make sure the polarity of battery will aim and correspond to the positive and negative silkscreen-printed symbol in the compartment. Then close the battery door.



### Notes:

- The best working distance of remote control is within 5 meters without any obstacle in between. Please aim to the remote control sensor locates on the front of unit during operation.
- The sensitivity of remote control will become weak when the battery power exhausted. Please replace it with fresh one for operation.
- Please take out the battery in case of none-operation in a long time.
- Please dispose the battery in an environment friendly way. Please reference the local government requirement for the detail.

### General operation

1. Power on/off: press the standby button on top panel, or press power button from remote control to turn on or off the unit; remove the power plug can turn off the power completely.
2. Play source selection: Press the source button on the top panel, or press FM, BT, LINE, USB button from remote control can switch the play source between FM/Bluetooth/Line in/USB.
3. Volume adjustment: Turn the main volume knob on the top panel, or press VOL+/- button from remote control can increase or decrease the output volume level.
4. Treble & bass adjustment: push up or down the treble/bass pin on the top panel can adjust the output sound level.
5. Sound silence: press the MUTE from remote control can make the sound in silence; press it again to resume the sound output.
6. Preset EQ: press the relative button from remote control can switch the EQ between Jazz/Classic/Flat/POP/ROCK/Super bass.
7. Play/pause: press the button to pause the music, and press it again to resume the playback in Bluetooth/USB mode.
8. Repeat & Random: press the button to switch the music playback in repeat one/repeat all/off mode; press random button for random on/off playback in USB mode.
9. Disco light: press the light button repeatedly can switch the disco light between 8 type effect, and turn off light.
10. Reset: press the reset button from remote control to set up the unit in factory default mode.

### FM radio operation

Before start the FM radio listening, please try to move the unit next to the window or other location in order to better FM reception. The unit was built-in an internal FM antenna.

1. Auto scan and preset radio station (All-in-one): short press the play/pause button on top panel, or press the search button from remote control to auto scan and save the available radio station. The unit will auto play the first preset station after finished scanning. ( max supported preset station:40)
2. Preset station picking up: in radio mode, press the next/previous button on top panel or remote control to pick up and play the last and next preset station.
3. Station memory: press and hold next/previous button few seconds to auto scan or short press the FF+/- button from remote control to tune your favorite station, then press the memory button to start the station memory manual save program, and press channel +/- button from remote control to select your desire preset station location, press the memory button again to confirm and finish the program.

### USB playback operation

The product includes USB playback function which can decode and playback the music from a USB storage device. Before start the operation, please copy the MP3 format music into the device; and insert the device into the unit first, because the USB mode is only available when the device was plugged on unit successfully. Then the unit will detect and play the inside MP3 music automatically.

Track selection: short press the next/previous button to select next and previous track; press and hold the button for fast-forwarding and rewinding the playing music, and resume to normal playback after release the button.

In USB mode, you can achieve the play/pause, mute, repeat, EQ, treble/bass function etc. Please reference the operation from the general operation part on this manual.

**Notes:**

- a. Connect the USB stick by a USB extension cable for playback is not recommended which may produce noise or intermittent sound due to audio data loss during transfer.
- b. Decode and playback all MP3 format music is not guaranteed.
- c. The max supported storage device is 32GB.
- d. Some different device and brand may take a little long time to playback; please kindly note this is not mal-function.

**Bluetooth operation**

This product includes Bluetooth function which can wireless playback the music from other Bluetooth device (like smart phone, tablet etc).

1. Press the source button repeatedly to enter Bluetooth mode, and the display with "BLUE" text will flare which means the unit is ready to pair.
2. Enable the Bluetooth function on your device, and search the available device (please reference your device manual for operation), then check the available Bluetooth device on the list. Select "BP PS05DB" for pairing, and the display with "BLUE" text will become stable after paired successfully.
3. Select and play the music from your Bluetooth device, then the sound will come out from the speaker
4. Press the previous/next button can select last and next track during playing.
5. In Bluetooth mode, you can achieve play/pause, mute, EQ, treble and bass adjustment etc. function. Please reference the operation from the general operation part on this manual.

**Notices:**

- a. All Bluetooth devices are not guaranteed for pairing successfully due to different design and brand.
- b. The best working distance of Bluetooth is within 10 meters without any obstacle in between.
- c. The unit only can pair and work with one Bluetooth device in one time.
- d. In case of an incoming phone call during Bluetooth playback; the music will stop temporary, and resume to playback after end the phone call.
- e. Press the pairing button from remote control can quit the current Bluetooth device connect and start pair with other device.

**Line in/AUX IN/MP3 link operation**

In order to wire connection and playback the music with other player or amplifier, please follow up below operation.

Using the audio cable connect the AUX IN jack on the top panel of unit, and the another terminal connect with line-out or headphone jack of outsourcing player like MP3, CD, DVD, Mixer etc. audio device. Select the music and play it on the outsourcing player, then the sound will output from the speaker.

In line-in playback mode, the main control is on the outsourcing player side. But you also can control the volume, mute the sound and adjust treble & bass etc. on the speaker side.

**Karaoke**

The unit includes dual microphone input which allow you to sing a song at home or music party. Plug on the wired microphone into the 6.5cm jack (our model includes one wired microphone), then turn on the microphone. Adjust the microphone output level properly by turn the microphone volume control knob on the top panel. Then you can start to sing.

**Tips:**

- a. When you are using the microphone for Karaoke function, you can adjust the treble/ bass/echo setting by turn the relative knobs.
- b. There may have a big noise come out from speaker when you adjust volume/treble/bass/echo to high level due to overloading and distortion on microphone. This is not mal-function. So please turn and increase these settings slowly, and turn it back or turn off microphone for retrying in case of such big noise faced.
- c. There have microphone priority function in our model. If you select it from remote control, the karaoke voice will output from speaker in priority (without background music); and resume to background music output automatically after you singing finished.
- d. You can use the karaoke function and listen the music at same time; in case that you need increase the Karaoke volume and decrease the background music, you can try to adjust the separate microphone volume and main volume knob.
- e. Please turn off the microphone when you put it next to speaker, otherwise there will cause huge noise.

**Trouble shooting**

1. The speaker cannot turn on.
  - a. Please check if the power connection is correct.
2. No sound output.
  - a. Please try to adjust the volume knob, and check the play source.
  - b. please contact service center for support if the issue remained.
3. Sound distortion.
  - a. Please try to adjust and play the music at a lower volume level.
  - b. Check the status of treble/bass setting.
4. Background noise on FM station.
  - a. try to move the unit in other place for better reception.
  - b. scan and switch to other station for listening.

**Specification**

Power source: AC 110-240V, 50/60 Hz.

FM frequency: 87.5-108.0 MHz.

USB rating: 5V, 500mA, 2.0 versions, supported up to 32GB storage device.

Bluetooth: V2.1+EDR, within 10 meters for operation.

RMS output power: 2 x 30W.

Treble & bass adjustment: -9dB~+9dB.

Microphone: 2 x 6.5cm input, wired microphone connection.

Power consumption: 80W

Standby power consumption: <0.5W.

(The above spec may update without priority notice.)

Dziękujemy za zakupienie naszego produktu. Prosimy o dokładne zapoznanie się z niniejszą instrukcją przed przystąpieniem do obsługi urządzenia. Instrukcję należy zachować w celu skorzystania z niej w czasie przyszłej eksploatacji urządzenia.

## WAŻNE INSTRUKCJE DOTYCZĄCE BEZPIECZEŃSTWA



### PRZESTROGA

ZAGROŻENIE PORAŻENIEM  
ELEKTRYCZNYM  
NIE OTWIERAĆ



### Ważne instrukcje dotyczące bezpieczeństwa

#### Przeestroga:

Aby zmniejszyć ryzyko porażenia prądem, nie wolno demontować pokrywy ani tylnej części urządzenia. Wewnątrz urządzenia nie znajdują się elementy przeznaczone do samodzielnej naprawy przez użytkownika. Konserwacją i naprawą sprzętu zajmują się wyłącznie wykwalifikowani pracownicy serwisu.

### Objaśnienie symboli graficznych:



Symbol błyskawicy zakończonej strzałką umieszczonej w trójkącie równobocznym ostrzega użytkownika przed nieizolowanym „niebezpiecznym napięciem” w obrębie obudowy urządzenia, które może osiągnąć wielkość grożącą porażeniem prądem elektrycznym.



Znak wykrzyknika w trójkącie równobocznym ostrzega użytkownika, że w tym momencie przedstawione są ważne informacje dotyczące obsługi i konserwacji sprzętu w dokumentacji, dołączonej do urządzenia.

Prosimy o przeczytanie tej instrukcji przed przystąpieniem do obsługi urządzenia, aby zapoznać się z jego funkcjami i wykorzystać je zgodnie z przeznaczeniem. Zapewni to długotrwałą, bezawaryjną obsługę urządzenia i przyjemność z użytkowania.

## Ważne informacje

-Należy zachować instrukcję obsługi oraz informacje dotyczące bezpieczeństwa w celu wykorzystania ich w przyszłości.

-Nie należy dopuszczać do tego, aby na urządzenie kapąła lub wylewała się ciecz. Nie wolno też używać go w wilgotnych miejscach, jak np. łazienka.

-Nie wolno instalować tego urządzenia w następujących miejscach:

-Wystawionych na bezpośrednie działanie promieni słonecznych lub w pobliżu grzejników.

-Kłaść go na wierzchu innego sprzętu stereofonicznego który wydziela ciepło

-Blokując wentylację lub w zapyłonym miejscu.

-W miejscach narażonych na ciągłe drgania.

-W miejscach o wysokiej wilgotności.

-Nie wolno stawiać urządzenia w pobliżu świec lub otwartego ognia.

-Urządzenia można używać wyłącznie w sposób opisany w niniejszej instrukcji.

-Przed pierwszym włączeniem zasilania należy upewnić się, że zasilacz został prawidłowo podłączony.

Ze względów bezpieczeństwa nie należy demontować obudów ani uzyskiwać dostępu do wnętrza urządzenia. Urządzenie powinno być naprawiane przez wykwalifikowany personel serwisu. Nie wolno rozkręcać urządzenia ani otwierać jego obudowy, gdyż wewnątrz nie ma żadnych części, które mogłyby być naprawiane przez użytkownika. Konserwacją i naprawą sprzętu zajmują się wyłącznie wykwalifikowani pracownicy serwisu.

## INSTRUKCJE DOTYCZĄCE BEZPIECZEŃSTWA

**1.Przeczytać instrukcje** — przed korzystaniem z urządzenia należy przeczytać całość instrukcji obsługi oraz informacje o bezpieczeństwie.

**2.Zachować instrukcje** — należy zachować instrukcje użytkowania i obsługi w celu wykorzystania ich w przyszłości

**3.Przestrzegać ostrzeżeń** — należy postępować zgodnie z wszystkimi ostrzeżeniami zamieszczonymi na urządzeniu oraz zgodnie z instrukcją obsługi.

**4.Przestrzegać instrukcji** — należy postępować zgodnie z instrukcją obsługi oraz wskazówkami dla użytkownika.

**5.Instalacja** — należy ustawić urządzenie zgodnie z instrukcjami producenta.

**6.Źródła zasilania** – urządzenie powinno być zasilane wyłącznie ze źródeł o parametrach podanych na oznaczeniach na kablu zasilania. Jeżeli użytkownik nie jest pewien, jakiego rodzaju zasilaniem dysponuje w domu, powinien skontaktować się ze sprzedawcą urządzenia lub lokalnym dostawcą energii elektrycznej.

**7.Uziemienie lub polaryzacja zasilania** — urządzenie nie musi być uziemione. Należy upewnić się, że wtyczka jest do końca włożona do gniazdka sieciowego lub przedłużacza, aby nie dopuścić do odstąpienia bolców lub styków. Niektóre wersje urządzenia mogą być wyposażone w spolaryzowaną wtyczkę prądu przemiennego (z jednym bolcem szerszym). Tę wtyczkę można włożyć do gniazdka sieciowego tylko w jeden sposób. Jest to funkcja zabezpieczająca. Jeśli nie można włożyć wtyczki do gniazda, należy spróbować ją odwrócić. Jeśli wtyczka nadal nie pasuje do gniazda, należy zlecić elektrykowi jego wymianę. Nie wolno zdejmować zabezpieczeń z wtyczki spolaryzowanej. Gdy korzysta się z przedłużacza lub kabla zasilania innego niż dostarczony razem z urządzeniem, powinny mieć właściwe wtyczki oraz atest bezpieczeństwa wymagany w danym kraju.

**8.Zabezpieczenie kabla zasilania** — kable zasilania należy poprowadzić w taki sposób, aby nie można było po nich chodzić, przycisnąć lub przyciąć postawionymi przedmiotami. Zwrócić szczególną uwagę na wtyczki, gniazdka sieciowe i miejsca, w którym kable są wyprowadzone z urządzenia.

**9.Przeciążanie** — nie wolno przeciążać gniazdek ściennych, przedłużaczy i rozdzielaczy elektrycznych, ponieważ grozi to wybuchem pożaru lub porażeniem prądem elektrycznym.

**10.Wentylacja** — urządzenie musi być poprawnie wentylowane. Nie wolno ustawiać urządzenia

na łóżku, sofie lub podobnych powierzchniach. Nie wolno przykrywać urządzenia obrusami, serwetkami, gazetami itd.

**11. Ciepło** — nie ustawiać urządzenia w pobliżu źródeł ciepła, takich jak grzejniki, promienniki, piece lub innych urządzeń (również wzmacniacze) wytwarzających ciepło. Nie stawiać na urządzeniu zapalonych świec i innych źródeł otwartego ognia.

**12. Woda i wilgoć** — aby zmniejszyć zagrożenie pożarem lub porażeniem elektrycznym, nie wolno narażać urządzenia na bezpośrednie działanie deszczu, wody i wilgoci, jak np. w saunie czy w łazience. Nie używać niniejszego urządzenia w pobliżu wody, na przykład obok wanny, umywalki, zlewu kuchennego lub balii, w wilgotnej piwnicy lub w pobliżu basenu (lub w podobnych miejscach).

**13. Przedmioty i ciecze w urządzeniu** — nie należy wciskać jakichkolwiek przedmiotów przez otwory urządzenia, ponieważ mogą one zetknąć się z punktami niebezpiecznego napięcia i podzespołami, co może wywołać pożar lub porażenie prądem. Pod żadnym pozorem nie należy rozlewać jakichkolwiek cieczy na powierzchni urządzenia. Nie wolno kłaść na wierzchu urządzenia przedmiotów zawierających ciecze.

**14. Czyszczenie** — należy zawsze odłączyć urządzenie od gniazdka sieciowego przed czyszczeniem. Kurz dookoła głośnika można usunąć suchą szmatką. Jeśli do czyszczenia ma być użyty aerozol, nie należy kierować rozpylanego strumienia bezpośrednio na urządzenie, ale na szmatkę. Należy uważać, aby nie uszkodzić jednostek napędowych.

**15. Wyposażenie dodatkowe** — nie wolno używać akcesoriów, które nie są dopuszczone przez producenta, gdyż mogą stwarzać zagrożenie.

**16. Akcesoria** — nie wolno ustawiać urządzenia na niestabilnym wózku, stojaku, statywie, wsporniku czy stole. Urządzenie może ulec przewróceniu i uszkodzeniu oraz spowodować poważne obrażenia u dziecka lub osoby dorosłej. Należy używać wyłącznie wózków, stojaków, statywów, wsporników i stołów określonych przez producenta albo sprzedawanych wraz z urządzeniem. Montaż urządzenia należy przeprowadzać zgodnie z instrukcjami producenta, przy użyciu zestawu montażowego zalecanego przez producenta.

**17. Przenoszenie urządzenia** — urządzenie umieszczone na wózku należy przesuwac bardzo ostrożnie. Gwałtowne zatrzymanie, zbyt duża siła lub nierówne powierzchnie mogą spowodować przewrócenie wózka wraz z urządzeniem.

**18. Okres nieużywania urządzenia** — kabel zasilania urządzenia należy odłączyć od gniazdka sieciowego w trakcie burz z wyładowaniami atmosferycznymi lub gdy urządzenie nie będzie używane przez dłuższy czas.

**19. Serwisowanie** — nie należy próbować własnoręcznego przeglądania urządzenia. Otwieranie pokrywy może spowodować kontakt z niebezpiecznym napięciem i narazić użytkownika na inne niebezpieczeństwa. Konserwacją i naprawą sprzętu zajmują się wyłącznie wykwalifikowani pracownicy serwisu.

**20.** Gdy urządzenie nie jest używane, należy odłączyć jego wtyczkę zasilania od gniazdka sieciowego. Gdy urządzenie jest podłączone do źródła zasilania, znajduje się w trybie czuwania i nie jest całkowicie wyłączone.

**21. Części zamienne** — przy wymianie części należy sprawdzić, czy pracownik serwisu użył części zamiennych zalecanych przez producenta lub też czy części są identyczne jak część oryginalna. Dokonywanie wymiany na niezatwierdzone części grozi wybuchem pożaru, porażeniem prądem elektrycznym lub innymi niebezpieczeństwami.

**22. Główne bezpieczniki** — aby zabezpieczyć w sposób ciągły urządzenie przed pożarem, należy używać bezpieczników właściwego typu i parametrów. Parametry bezpieczników w danym zakresie napięcia są zaznaczone na urządzeniu.

**23.** Nie wolno zwiększać głośności przy słuchaniu części utworu o małej głośności lub przy braku wejściowego sygnału audio. W innym wypadku może dojść do uszkodzenia głośnika przy gwałtownym wzroście natężenia sygnału.

**24.** Jedynym sposobem całkowitego odłączenia urządzenia od źródła zasilania jest odłączenie kabla zasilania z gniazdka zasilania lub z urządzenia. Gniazdko sieciowe lub wejście kabla zasilania do urządzenia muszą być zawsze dostępne w trakcie używania produktu.

**25.** Urządzenie powinno się ustawić w pobliżu gniazdka sieciowego lub przedłużacza i w taki sposób, aby zawsze było dostępne.

26. Maksymalna temperatura otoczenia urządzenia wynosi 35°C.

27. **Wskazówki dotyczące wyłączeń elektrostatycznych** — jeśli działanie urządzenia jest zakłócone wyłączeniami elektrostatycznymi, należy go wyłączyć i ponownie włączyć lub przenieść urządzenie w inne miejsce.

### 28. Bateria

a. Bateria nie mogą być narażone na działanie nadmiernego ciepła, jak np. promieni słonecznych, ognia itp.

b. Podczas utylizacji baterii należy zwrócić uwagę na aspekty ochrony środowiska.

c. Przestroga dotycząca używania baterii: aby nie dopuścić do rozszczelnienia baterii, które może spowodować obrażenia ciała bądź uszkodzenie urządzenia:

- Podczas wkładania baterii zwrócić uwagę na jej polaryzację (+ i -).

- Nie wolno jednocześnie używać różnych baterii — starych i nowych baterii standardowych i alkalicznych itd.

- Należy wyjąć baterie z urządzenia, gdy nie będzie ono używane przez dłuższy czas.



Właścicielem znaków towarowych i logo Bluetooth® jest firma Bluetooth SIG, Inc. USA. Użycie tych znaków i logo podlega licencji. Inne znaki i nazwy handlowe należą do odpowiednich właścicieli.

### Uwaga dotycząca ERP2 (urządzeń związanych z energią)

Niniejsze urządzenie z ekoprojektem spełnia wymagania etapu 2 Rozporządzenia Komisji (WE) nr 1275/2008 wprowadzającego dyrektywę 2009/125/WE dotyczącą poboru energii przez wyłączone i znajdujące się w trybie czuwania urządzenia elektroniczne do zastosowań biurowych i domowych. Po upływie 15 minut bez wejściowego sygnału audio urządzenie automatycznie przejdzie w tryb czuwania. Informacje na temat przywrócenia normalnego działania można znaleźć w instrukcji obsługi.

### Ważna informacja:

Niniejsze urządzenie jest wyposażone w funkcję trybu oszczędzania energii: jeśli w ciągu 15 minut nie jest podawany do niego żaden sygnał wejściowy, urządzenie automatycznie przejdzie w tryb czuwania w celu oszczędzania energii (norma ERP 2). Należy zauważyć, że ustawienie niskiego poziomu głośności w źródle sygnału audio może zostać rozpoznane jako stan „braku sygnału audio”: może to mieć wpływ na zdolność wykrywania sygnału z urządzenia oraz spowodować automatycznie przejście w tryb czuwania. W takim wypadku należy przywrócić transmisję sygnału audio lub zwiększyć poziom głośności w źródle sygnału audio (odtwarzaczu MP3 itp.) w celu wznowienia odtwarzania. Jeśli problem nie ustąpi, prosimy o kontakt z lokalnym serwisem.

## OSTRZEŻENIE

Urządzenie nie powinno być używane przez osoby (w tym dzieci) o obniżonej sprawności fizycznej, sensorycznej lub umysłowej oraz osoby z niewystarczającą wiedzą i doświadczeniem, jeśli nie znajdują się one pod nadzorem osoby odpowiedzialnej za ich bezpieczeństwo i nie zostały poinstruowane jak bezpiecznie używać urządzenia. Obecność osób dorosłych jest wymagana, jeśli urządzenie obsługują dzieci; pozwoli to zapewnić bezpieczne korzystanie z urządzenia.

1. Aby nie dopuścić do ewentualnej utraty słuchu, nie wolno słuchać głośno muzyki przez dłuższy czas; dotyczy to zwłaszcza gwałtownego wzrostu poziomu głośności.



2. Nie wolno pozostawić pracującego urządzenia bez nadzoru! Należy wyłączać urządzenie, gdy nie jest ono używane, nawet przez krótką chwilę.

3. Urządzenia nie wolno obsługiwać za pośrednictwem zewnętrznego zegara z układem czasowym ani za pomocą oddzielnego układu ze zdalnym sterowaniem.

4. Aby uniknąć zagrożenia w przypadku uszkodzenia przewodu zasilania, wymianę powinien wykonać producent, autoryzowany punkt serwisowy lub inna osoba posiadająca odpowiednie kwalifikacje.

5. Przed przystąpieniem do obsługi urządzenia należy sprawdzić, czy jego napięcie odpowiada napięciu występującemu w lokalnej sieci zasilającej.

3. Urządzenia nie wolno obsługiwać za pośrednictwem zewnętrznego zegara z układem czasowym ani za pomocą oddzielnego układu ze zdalnym sterowaniem.
4. Aby uniknąć zagrożenia w przypadku uszkodzenia przewodu zasilania, wymianę powinien wykonać producent, autoryzowany punkt serwisowy lub inna osoba posiadająca odpowiednie kwalifikacje.
5. Przed przystąpieniem do obsługi urządzenia należy sprawdzić, czy jego napięcie odpowiada napięciu występującemu w lokalnej sieci zasilającej.
6. Nie wolno zakrywać otworów wentylacyjnych urządzenia np. gazetami, obrusem, zasłonami itp. Należy upewnić się, że nad urządzeniem jest co najmniej 20 cm wolnego miejsca, a z każdej jego strony — co najmniej 5 cm.
7. Nie należy dopuszczać do tego, aby na urządzenie kapąła lub wylewała się ciecz, ani nie należy stawiać na nim przedmiotów wypełnionych cieczami, takich jak wazon.
8. Aby uniknąć pożaru lub porażenia prądem elektrycznym, należy chronić urządzenie przed gorącymi miejscami, działaniem deszczu, wilgoci i pyłu.
9. Nie wolno stawiać urządzenia w pobliżu jakichkolwiek źródeł wody, np. kranów, wanien, pralek lub basenów pływackich. Urządzenie należy ustawić na równym i stabilnym podłożu.
10. Nie wolno narażać urządzenia na silne pole magnetyczne.
11. Nie wolno stawiać urządzenia bezpośrednio na wzmacniaczu lub amplitunerze.
12. Nie wolno stawiać urządzenia w wilgotnym miejscu, gdyż wilgoć ma szkodliwy wpływ na podzespoły elektryczne.
13. Po wniesieniu urządzenia z zimnego do ciepłego miejsca lub do wilgotnego miejsca może dojść do kondensacji wilgoci na soczewce wewnątrz odtwarzacza. W takiej sytuacji urządzenie nie będzie działać prawidłowo. Należy pozostawić włączone urządzenie na około jedną godzinę, aby umożliwić odparowanie wilgoci.
14. Nie wolno czyścić urządzenia rozpuszczalnikami chemicznymi, gdyż mogą one zniszczyć lakier obudowy. Urządzenie wyciera się czystą, suchą lub nieznacznie zwilżoną ściereczką.
15. Podczas wyciągania wtyczki z gniazdka ściennego należy zawsze ciągnąć za wtyczkę, nigdy za kabel zasilania.
16. Wtyczka sieciowa jest używana do odłączania napięcia zasilającego i powinna być zawsze dostępna.

## UWAGA



### Deklaracja

Niniejszym Blaupunkt Competence Center 2N-Everpol Sp. z o.o. oświadcza, że to urządzenie jest zgodne z wymogami i innymi odpowiednimi postanowieniami dyrektywy 2014/53 / UE. Pełną deklarację zgodności można uzyskać na stronie [www.blaupunkt.com](http://www.blaupunkt.com) w zakładce produktu.

Podmiot odpowiedzialny: 2N-Everpol Sp. z o.o., Puławska 403A, 02-801 Warszawa, Polska,  
Telefon: +48 22 331 99 59, e-mail: [info@everpol.pl](mailto:info@everpol.pl)



Produkt został wyprodukowany z wysokiej jakości materiałów i podzespołów, które można poddać recyklingowi i ponownie użyć.



Jeśli na urządzeniu znajduje się znak przekreślonego kosza na śmieci, oznacza to, że produkt jest objęty postanowieniami dyrektywy europejskiej 2012/19/EU. Należy zapoznać się z wymaganiami dotyczącymi lokalnego systemu zbiórki odpadów elektrycznych i elektronicznych. Należy postępować zgodnie z lokalnymi przepisami. Nie wolno wyrzucać tego produktu razem ze zwykłymi odpadami domowymi. Prawidłowe usunięcie starego produktu zapobiegnie potencjalnym negatywnym skutkom dla środowiska naturalnego i zdrowia ludzkiego.



Urządzenie jest wyposażone w baterie objęte dyrektywą europejską 2013/56/EU. Baterii nie wolno wyrzucać razem z odpadami gospodarstwa domowego. Należy zapoznać się z lokalnymi przepisami dotyczącymi oddzielnej zbiórki baterii, ponieważ prawidłowa utylizacja zapobiegnie potencjalnym negatywnym skutkom dla środowiska naturalnego i zdrowia ludzkiego.

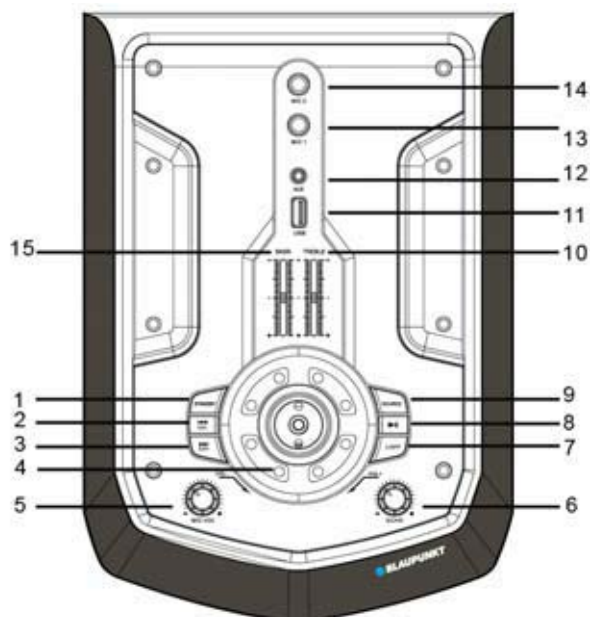
## Informacje o ochronie środowiska naturalnego

Opakowanie zawiera tylko niezbędne elementy. Dołożono wszelkich starań, aby trzy materiały składowe opakowania były łatwe do oddzielenia: karton (pudełko), pianka polistyrenowa (zabezpieczenia wewnątrz) i polietylen (torebki, arkusz ochronny). Urządzenie wyprodukowano z materiałów, które można poddać recyklingowi i użyć ponownie po ich demontażu przez wyspecjalizowaną firmę. Należy przestrzegać lokalnych przepisów dotyczących utylizacji materiałów opakowaniowych, zużytych baterii i niepotrzebnych urządzeń.

Nagrywanie i odtwarzanie materiałów może wymagać uzyskania zgody. Patrz ustawa o prawach autorskich i prawach wykonawców/artystów

Dziękujemy za zakup naszego urządzenia. Przed przystąpieniem do obsługi należy dokładnie przeczytać i zapoznać się z niniejszą instrukcją. Prosimy zachować instrukcję w celu późniejszego wykorzystania.

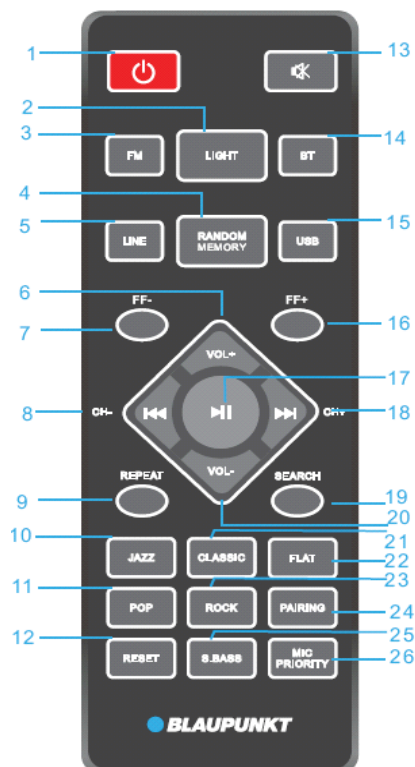
### Panel sterowania



- 1 – Przycisk trybu czuwania (włączanie / wyłączanie);
- 2,3- Poprzedni / następny / kanał - / kanał +;
- 4- Sterowanie głośnością;
- 5- Pokrętko regulacji głośności mikrofonu;
- 6- Pokrętko regulacji echa mikrofonu;
- 7- Oświetlenie disco
- 8- Odtwarzanie / pauza;
- 9- Źródło;
- 10,15- Regulacja tonów niskich i wysokich;
- 11- Port USB;
- 12- Gniazdo AUX IN;
- 13,14- Wejście mikrofonowe 1 i 2;

POLISH

### Pilot zdalnego sterowania



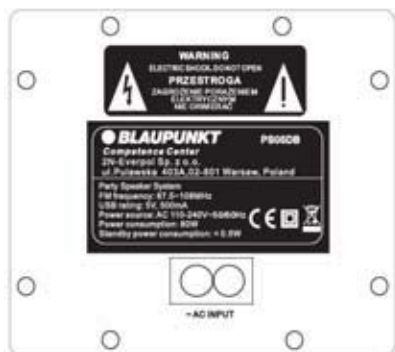
- 1 - Przycisk zasilania;
- 2- Przycisk włączania/wyłączania oświetlenia disco;
- 3,5,14,15- Przycisk FM / LINE IN / Bluetooth / USB;
- 4-Przycisk wł./wył. odtwarzania losowego /przycisk zapamiętywania;
- 6,20-Głośność +/- ;
- 7,16- Przycisk szybkiego przewijania FF - / +;
- 8,18-Poprzedni i następny, przycisk kanał - / +;
- 9- Przycisk powtarzania (powtarzaj jeden utwór / powtórz wszystko / wyłącz);
- 10,11,21,22,23- Tryby korektora EQ (jazz / pop / klasyczny / płaski / rockowy)
- 12- Przycisk reset;
- 13- Przycisk wyciszenia;
- 17- Odtwarzanie / pauza;
- 19- Przycisk wyszukiwania;
- 24- Przycisk parowania;
- 25 - Przycisk Super Bass;
- 26 - Przycisk priorytetu mikrofonu;

### Podłączenie zasilania

Proszę sprawdzić, czy źródło zasilania odpowiada specyfikacji napięcia znamionowego, która znajduje się na tylnym panelu urządzenia. Jeśli się nie zgadza, należy skontaktować się ze sprzedawcą lub centrum serwisowym.

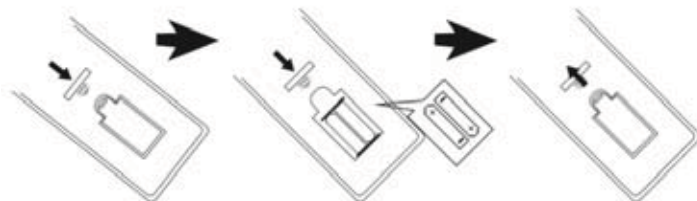
Włóż żeńską wtyczkę kabla zasilającego do gniazdka w urządzeniu, a następnie podłącz wtyczkę kabla zasilającego do gniazda ściennego w celu uzyskania źródła zasilania.

Naciśnij przycisk zasilania na górnym panelu lub pilocie zdalnego sterowania, aby włączyć ekran wyświetlacza, co oznacza, że połączenie zasilania zostało zakończone pomyślnie i można rozpocząć dalszą obsługę.



### Instalacja baterii pilota zdalnego sterowania

Otwórz pokrywę komory baterii i włóż 2 baterie typu AAA; Upewnij się, że układ baterii będzie zgodny z symbolami pozytywnej i negatywnej polaryzacji nadrukowanymi w komorze. Następnie zamknij pokrywę baterii.



### Uwagi:

- Najlepsza odległość robocza pilota wynosi 5 metrów bez żadnych przeszkód. Podczas używania czujnik pilota zdalnego sterowania należy skierować na przednią część urządzenia.
- Czułość pilota będzie stawała się słabsza wraz z wyczerpywaniem baterii. Zużyte baterie należy wymienić na nowe.
- Wyjmij akumulator w przypadku nieużywania urządzenia przez dłuższy czas.
- Baterie należy wyrzucać w sposób przyjazny dla środowiska. W tym celu należy zapoznać się z wymaganiami władz lokalnych.

### Obsługa ogólna

1. **Włączenie / wyłączenie:** naciśnij przycisk trybu czuwania na panelu górnym lub przycisk zasilania na pilocie, aby włączyć lub wyłączyć urządzenie; Wyjmij wtyczkę z gniazdka sieciowego, aby wyłączyć zasilanie.
2. **Wybór źródła odtwarzania:** Naciśnij przycisk wyboru źródła na panelu górnym lub naciśnij FM, BT, LINE, przycisk USB na pilocie, aby przełączać źródło odtwarzania między FM / Bluetooth / Line in / USB.
3. **Regulacja głośności:** Obróć pokrętkę sterowania głośnością na górnym panelu lub naciśnij przycisk VOL +/- na pilocie, aby zwiększyć lub zmniejszyć poziom głośności.
4. **Regulacja tonów wysokich i niskich:** Przesuń w górę lub w dół suwak regulacji basów/sopranów aby wyregulować barwę dźwięku wyjściowego.
5. **Wyciszenie dźwięku:** wciśnięcie przycisku MUTE na pilocie zdalnego sterowania powoduje wyciszenie dźwięku; Ponowne naciśnięcie tego przycisku przywraca dźwięk do ustawionego wcześniej poziomu.
6. **Ustawienia korektora:** wciśnięcie odpowiedniego przycisku na pilocie zdalnego sterowania umożliwia zmianę trybu korektora pomiędzy Jazz / Classic / Flat / POP / ROCK / Super Bass.
7. **Odtwarzanie / wstrzymanie:** naciśnij przycisk odtwarzanie/pauza, aby wstrzymać lub wznowić odtwarzanie muzyki w trybie Bluetooth / USB.
8. **Powtarzanie i odtwarzanie losowe:** naciśnij przycisk powtarzania, aby włączyć odpowiedni tryb powtarzania muzyki; Naciśnij przycisk odtwarzania losowego, aby włączyć / wyłączyć funkcję odtwarzania losowego w trybie USB.
9. **Oświetlenie:** kilkakrotnie naciśnij przycisk oświetlenia, aby przełączać tryb oświetlenia pomiędzy ośmioma efektami lub je wyłączyć.
10. **Reset:** naciśnij przycisk resetowania na pilocie, aby przywrócić urządzenie do ustawień fabrycznych.

### Obsługa radia FM

Przed rozpoczęciem słuchania radia FM należy przenieść urządzenie obok okna w celu lepszego odbioru sygnału FM. Urządzenie posiada wbudowaną wewnętrzną antenę FM.

1. Automatyczne skanowanie i programowanie stacji radiowych (tryb automatyczny): krótkie naciśnięcie przycisku odtwarzania / pauzy na panelu górnym lub naciśnięcie przycisku wyszukiwania na pilocie uruchamia tryb automatycznego skanowania i zapisywania dostępnych stacji radiowych. Po zakończeniu skanowania urządzenie rozpocznie automatyczne odtwarzanie pierwszej zaprogramowanej stacji. (Maksymalna obsługiwana ilość zaprogramowanych stacji: 40)
2. Wybór stacji radiowych: w trybie radia naciśnij przycisk następny / poprzedni na panelu górnym lub pilocie zdalnego sterowania, aby wybrać i odtworzyć poprzednią lub kolejną zaprogramowaną stację.
3. Programowanie stacji radiowych (tryb manualny): naciśnij i przytrzymaj kilka sekund przycisk następny / poprzedni w celu automatycznego skanowania lub krótko naciśnij przycisk FF +/- z pilota zdalnego sterowania, aby dostroić ulubioną stację, a następnie naciśnij przycisk pamięci, aby uruchomić tryb manualnego programowania, następnie naciśnij przycisk kanał +/- z pilota, aby wybrać żadaną lokalizację stacji, naciśnij ponownie przycisk pamięci, aby potwierdzić i zakończyć programowanie.

### Odtwarzanie USB

Urządzenie posiada funkcję odtwarzania USB, która może dekodować i odtwarzać muzykę z przenośnych pamięci USB. Przed rozpoczęciem odtwarzania skopiuj muzykę MP3 na przenośną pamięć USB; Włóż pamięć USB do urządzenia, ponieważ tryb odtwarzania USB jest dostępny tylko wtedy, gdy pamięć USB zostanie prawidłowo podłączona. Następnie urządzenie automatycznie wykryje i odtworzy muzykę MP3. Wybór utworu: krótko naciśnij przycisk poprzedni/następny, aby wybrać poprzedni lub następny utwór; Naciśnij i przytrzymaj przycisk służący do przewijania, aby przewinąć do przodu aktualnie odtwarzany utwór, zwolnij przycisk aby dalej odtwarzać utwór. W trybie USB dostępne są następujące funkcje: odtwarzanie / pauza, wyciszenie, powtarzanie, korektor dźwięku, regulacja wysokie / niskie tony itp. Szczegóły znajdują się w punkcie „Obsługa ogólna” niniejszej instrukcji.

### Uwagi:

- Nie zaleca się podłączania pamięci USB za pomocą przedłużaczy USB, ponieważ może mieć to negatywny wpływ na jakość odtwarzania i powodować hałas lub przerywany dźwięk spowodowany utratą danych audio podczas przesyłania plików.
- Nie można zagwarantować dekodowania i odtwarzania wszystkich utworów w formacie Mp3.
- Urządzenie obsługuje pamięci USB o maksymalnej pojemności 32GB
- Automatyczne odtworzenie niektórych pamięci USB, ze względu na typ i producenta, może zająć trochę więcej czasu; Należy pamiętać, że nie jest to usterka.

### Działanie Bluetooth

Ten produkt posiada funkcję Bluetooth, która umożliwia bezprzewodowe odtwarzanie muzyki z innego urządzenia Bluetooth (takiego jak smartfon, tablet itp.).

- Naciśnij kilkakrotnie przycisk źródła, aby wejść w tryb Bluetooth, na wyświetlaczu pojawi się tekst "BLUE", co oznacza, że urządzenie jest gotowe do parowania.
- Włącz funkcję Bluetooth w urządzeniu zewnętrznym i wyszukaj dostępne urządzenie (zapoznaj się z instrukcją obsługi urządzenia zewnętrznego), a następnie sprawdź dostępne urządzenie Bluetooth na liście. Wybierz "BP PS05DB" do połączenia, wyświetlacz z migającym tekstem "BLUE" stanie się stabilny po pomyślnym sparowaniu.
- Wybierz i odtwórz muzykę z zewnętrznego urządzenia Bluetooth, a następnie dźwięk zostanie odtworzony za pomocą głośnika w niniejszym urządzeniu.
- Naciśnij przycisk poprzedni / następny, aby wybrać ostatni i następny utwór podczas odtwarzania.
- W trybie Bluetooth można uzyskać funkcję odtwarzania / pauzy, wyciszania, korekcji dźwięku, korekcji tonów wysokich i niskich. Szczegóły znajdują się w punkcie „Obsługa ogólna” niniejszej instrukcji.

### Uwagi:

- Nie można zagwarantować poprawnego połączenia się ze wszystkimi urządzeniami Bluetooth ze względu na odmienne projekty i marki.
- Odległość robocza Bluetooth wynosi 10 metrów bez żadnych przeszkód.
- Urządzenie może parować się i pracować z jednym urządzeniem Bluetooth jednocześnie.
- W przypadku połączenia przychodzącego podczas odtwarzania Bluetooth; Muzyka zatrzyma się na chwilę i wznowi odtwarzanie po zakończeniu rozmowy telefonicznej.
- Naciśnij przycisk parowania z pilota, aby zamknąć bieżące połączenie z urządzeniem Bluetooth i rozpocząć parowanie z innym urządzeniem.

### Praca w trybie AUX IN

Aby podłączyć i odtwarzać muzykę z innego odtwarzacza lub urządzenia, należy postępować według poniższej instrukcji:

Korzystając z kabla audio, należy połączyć gniazdo AUX IN na górnym panelu urządzenia z wyjściem liniowym lub gniazdem słuchawkowym odtwarzacza, takiego jak np. odtwarzacz MP3, CD, DVD, mikser itp. Następnie należy wybrać i odtworzyć muzykę na zewnętrznym odtwarzaczu, a dźwięk zostanie odtworzony za pomocą niniejszego urządzenia.

W trybie AUX-IN główną kontrolę nad odtwarzaniem sprawuje odtwarzacz zewnętrzny. W niniejszym urządzeniu możesz kontrolować głośność, wyciszyć dźwięk i wyregulować poziom basów i sopranów.

### Karaoke

Urządzenie posiada podwójne wejście mikrofonowe, które pozwala na śpiewanie piosenek w domu lub podczas imprezy.

Podłącz mikrofon przewodowy do gniazda 6,5 mm (nasz model zawiera jeden mikrofon przewodowy), a następnie włącz mikrofon. Dokładnie wyreguluj poziom wyjściowy mikrofonu, obracając pokrętkę regulacji głośności mikrofonu na górnym panelu. Wtedy możesz zacząć śpiewać.

### Porady:

- Jeśli używasz mikrofonu do obsługi funkcji Karaoke, możesz za pomocą odpowiednich pokręteł wyregulować ustawienie wysokich tonów / basów / echa.
- Głośnik może emitować głośny hałas lub zniekształcenia w momencie, gdy poziom głośności, ustawienia basów i sopranów lub funkcja echa ustawione są na zbyt wysokim poziomie. To nie jest usterka. Należy zmniejszyć poziom powyższych ustawień a następnie włączyć lub wyłączyć mikrofon.
- Nasze urządzenie posiada funkcję priorytetu mikrofonu. Jeśli wybierzesz tę funkcję z pilota, głos karaoke zostanie odtworzony za pomocą głośników i będzie miał priorytet (bez tła muzycznego); po zakończeniu śpiewania odtwarzanie muzyki uruchomi się automatycznie.
- Możesz używać funkcji karaoke i słuchać muzyki w tym samym czasie; W przypadku, gdy potrzebujesz zwiększyć głośność karaoke i zmniejszyć poziom muzyki w tle, możesz osobno wyregulować głośność mikrofonu i poziomu głośnika za pomocą odpowiednich pokręteł.
- Należy wyłączyć mikrofon, gdy zostanie umieszczony obok głośnika, w przeciwnym razie spowoduje to duży hałas.

### Rozwiązywanie problemów

- Głośnik nie może się włączyć.
  - Sprawdź, czy podłączenie zasilania jest prawidłowe.
- Brak dźwięku.
  - Spróbuj wyregulować pokrętkę głośności i sprawdzić źródło odtwarzania.
  - Skontaktuj się z centrum serwisowym, jeśli problem pozostanie.
- Zniekształcenia dźwięku.
  - Spróbuj dostosować i odtworzyć muzykę z niższym poziomem głośności.
  - Sprawdź stan regulacji tonów wysokich / niskich.
- Szum podczas słuchania stacji FM.
  - Przenieś urządzenie w inne miejsce w celu lepszego odbioru.
  - Włącz ponowne skanowanie lub zmień stację na inną.

### Specyfikacja

Źródło zasilania: AC 110-240V, 50/60 Hz.

Częstotliwość FM: 87,5-108,0 MHz.

Złącze USB: 5V, 500mA, wersja 2.0, obsługiwane pamięci masowe do 32 GB.

Bluetooth: V2.1 + EDR, odległość robocza do 10m

Moc wyjściowa RMS: 2 x 30 W.

Regulacja tonów niskich i wysokich: -9dB ~ + 9dB.

Mikrofon: wejście 2 x 6,5 mm, podłączenie mikrofonu przewodowego.

Pobór mocy: 80W

Pobór mocy w trybie gotowości: <0.5W.

(Powyższa specyfikacja może ulec zmianie bez uprzedzenia.)

Děkujeme za koupi našeho výrobku. Prosíme o důkladné seznámení se s tímto návodem před přistoupením k obsluze zařízení. Návod zachovejte pro případné další použití v provozu zařízení.

## DŮLEŽITÉ BEZPEČNOSTNÍ POKYNY



**PRZESTROGA**

ZAGROŻENIE PORAZENIEM  
ELEKTRYCZNYM  
NIE OTWIERAĆ



NEBEZPEČÍ ÚRAZU ELEKTRICKÝM PROUDEM!  
NEOTVÍREJTE!

CZECH

### Upozornění:

Pro snížení rizika úrazu elektrickým proudem nezasahujte do vnitřních částí přístroje a neodstraňujte jeho kryt. V případě poruchy svěřte servis produktu autorizovanému servisu.

### Vysvětlení grafických symbolů:



Symbol blesku v trojúhelníku označuje neizolovaný materiál v jednotce, který může způsobit úraz elektrickým proudem. Pro bezpečnost všech ve vaší domácnosti, prosím, neodstraňujte kryt výrobku.



Symbol vykřičníku v trojúhelníku upozorňuje na funkce, o kterých byste si měli pozorně přečíst přiložené informace, abyste zabránili potížím s provozem a údržbou zařízení.

K dosažení Vaší nejvyšší spokojenosti a radosti z používání našeho produktu, přečtěte si prosím nejdříve pečlivě tento návod a seznamte se s jeho funkcemi před tím, než jej začnete používat. To Vám zajistí léta bezproblémového výkonu produktu a požitek z hudby.

## Důležitá upozornění

Tyto bezpečnostní a provozní pokyny uchovejte pro budoucí použití.

- a. Přístroj nesmí být vystaven vodě a umístěn ve vlhkém prostředí (např. v koupelně).
- b. Výrobek by neměl být umístěn:
  - a). na místech vystavených přímému slunečnímu záření nebo v blízkosti topných těles.
  - b). na jiných stereofonních zařízeních, která vyzařují příliš tepla.
  - c). na místech, kde by bylo zamezeno ochlazování přístroje pomocí jeho ventilátoru nebo v prašném prostředí.
  - d). na místech, která konstantně vibrují.
  - e). na vlhkých a mokřích prostorech.
  - f). v blízkosti zapálených svíček nebo jiných zdrojů otevřeného ohně.
- c. Výrobek použijte pouze podle pokynů v této příručce.
- d. Před prvním zapnutím přístroje se ujistěte, že je napájecí kabel správně připojen. Z bezpečnostních důvodů neodstraňujte žádné kryty ani se nepokoušejte získat přístup k vnitřku výrobku. Nepokoušejte se odstranit šroubky, nebo otevírat kryt jednotky. Servis produktu a veškeré opravy vždy svěťte autorizovanému servisu a jeho kvalifikovanému personálu.

## BEZPEČNOSTNÍ POKYNY

- 1. Čtete pokyny** – před uvedením přístroje do provozu si přečtete veškeré bezpečnostní a provozní pokyny a návod k obsluze.
- 2. Uchovejte návod k obsluze** – tento návod k obsluze uschovejte pro budoucí použití.
- 3. Dbejte varování** – všechna varování na produktu a v návodu k obsluze je třeba dodržovat.
- 4. Postupujte podle pokynů** – pokyny pro provoz a bezpečnostní pokyny je třeba dodržovat.
- 5. Instalace** – instalujte výrobek v souladu s pokyny výrobce.
- 6. Napájecí zdroje** – tento produkt napájejte pouze z druhu zdroje, který je uveden na napájecím kabelu. Pokud si nejste jistí, jaký typ napájení máte doma, obraťte se na svého prodejce výrobků nebo místní energetickou společnost.
- 7. Uzemnění nebo polarizace** – výrobek nemusí být uzemněn. Ujistěte se, že zástrčka napájecího kabelu je zcela zasunuta do elektrické zásuvky nebo do prodlužovacího kabelu tak, aby bylo zamezeno vzniku přechodového odporu a tím možného rizika vzniku požáru. Používáte-li prodlužovací napájecí kabel nebo neoriginální napájecí kabel od jiného výrobce, než který je dodáván jako součást balení s výrobkem, musí být tento neoriginální kabel vybaven příslušnými kontakty pro propojení s výrobkem a musí mít bezpečnostní schválení pro použití v dané zemi.
- 8. Ochrana napájecího kabelu** – napájecí kabely by měly být vedeny tak, aby nebyly přehnuty, stačeny předměty umístěnými na nebo proti nim, po napájecím kabelu by nemělo být chozeno. Před těmito nežádoucími vlivy chraňte zejména konektory kabelů na zapojení do zásuvky a pro napojení s produktem.
- 9. Přetížení** – nepřetěžujte elektrické zásuvky, prodlužovací kabely nebo vícenásobné zásuvky, následkem takového přetěžování je zvýšené riziko požáru nebo úrazu elektrickým proudem.
- 10. Větrání** – výrobek musí být umístěn na řádně větrané místo. Nepokládejte výrobek na postel, pohovku, nebo jiný podobný povrch. Nezakrývejte výrobek věcmi, jako jsou ubrusy, noviny, apod.
- 11. Teplo** – tento produkt by neměl být umístěn v blízkosti zdrojů tepla, jako jsou radiátory, regulátory tepla, kamna, zesilovače a jiná zařízení, která produkují teplo. Na přístroji nesmí být umístěn žádný zdroj otevřeného ohně, například zapálená svíčka.
- 12. Voda a vlhkost** – pro snížení rizika požáru nebo úrazu elektrickým proudem, nevystavujte výrobek kapající, stříkající nebo tekoucí vodě a nadměrné vlhkosti, např. v sauně či koupelně. Nepoužívejte tento výrobek v blízkosti vody, například u vany, umyvadla, dřezu, kádě, ve vlhkém sklepě, v blízkosti bazénu apod.
- 13. Vniknutí předmětů a tekutin** – nikdy nevkládejte jakékoli cizí předměty do otvorů výrobku, mohly by se dotknout míst pod vysokým napětím nebo by mohly způsobit zkrat, což může vést k požáru nebo úrazu

elektrickým proudem. Nikdy nelijte jakoukoli tekutinu jakéhokoliv druhu na výrobek ani do výrobku. Neumísťujte jakýkoli předmět obsahující tekutinu na povrch výrobku (např. váza, sklenička s vodou apod.).

**14. Čištění** – před čištěním odpojte výrobek z elektrické zásuvky. Prach z přístroje odstraňujte suchým hadříkem. Chcete-li používat aerosolové čisticí spreje, nestříkejte přímo na výrobek; nastříkejte čisticí prostředek na hadřík a poté aplikujte. Dávejte pozor, aby nedošlo k poškození hrací jednotky.

**15. Příslušenství** – nepoužívejte neoriginální příslušenství, které není doporučeno výrobcem produktu, neoriginální příslušenství může ohrozit bezpečné používání a funkci výrobku.

**16. Umístění** – neumísťujte výrobek na nestabilní vozík, stojan, trojnožku, konzolu nebo stolek. Výrobek může spadnout a způsobit vážné zranění dětem nebo dospělým a může dojít k vážnému poškození výrobku. Používejte pouze se stabilním vozíkem, stojanem, trojnožkou, držákem nebo stolem, nebo zařízením doporučeným výrobcem nebo prodáváním spolu s výrobkem. Pokud je nutná jakákoliv montáž výrobku, řiďte se pokyny výrobce a používejte pouze montážní příslušenství doporučené výrobcem.

**17. Manipulace s produktem** – při přemísťování produktu na vozíku je nutno dodržovat opatrnost. Prudká změna směru, prudké zastavení, vysoká rychlost nebo nerovný povrch můžou způsobit převrhnutí vozíku a tím případně poškození produktu.

**18. Období nepoužívání** – pokud je zařízení delší dobu nepoužíváno musí být napájecí kabel přístroje odpojen z elektrické zásuvky. Odpojte napájecí kabel z elektrické zásuvky během bouřky.

**19. Servis** – nepokoušejte se o servis nebo o opravu tohoto přístroje svépomocí, otevření nebo odstranění krytů přístroje vás může vystavit nebezpečí úrazu elektrickým proudem nebo jinému nebezpečí. Veškeré opravy přístroje svěřte kvalifikovanému servisnímu personálu autorizovaného servisu.

**20. Prosím, pokud není v provozu, odpojte napájecí kabel z hlavního zdroje energie nebo z elektrické zásuvky ve zdi. Ve chvíli, kdy je napájecí kabel zapojen ke zdroji elektrické energie, je systém v pohotovostním režimu, to znamená, že přístroj není zcela vypnutý a proudí do něj elektrická energie.**

**21. Náhradní díly** – pokud jsou potřeba náhradní díly, ujistěte se, že servisní technik použil náhradní díly, které jsou specifikované výrobcem nebo mají stejné vlastnosti jako originální díly. Neoprávněná výměna může vést k požáru, úrazu elektrickým proudem nebo způsobit jiné nebezpečí.

**22. Síťové pojistky** – pro trvalou ochranu proti požáru, používejte pouze správný typ pojistek. Správná specifikace pojistek je pro každý rozsah napětí vyznačena na výrobku.

**23. Nevyšťujte příliš hlasitost při poslechu pasáží s velmi nízkou úrovní hlasitosti nebo při náhlé úplné absenci zvuku. Pokud tak učiníte, může ve chvíli opětovného zvýšení úrovně hlasitosti přehrávané pasáže dojít k poškození reproduktorů.**

**24. Pokud chcete přístroj úplně odpojit od napájení, musíte odpojit napájecí kabel od přístroje nebo od elektrické zásuvky. Elektrická zásuvka nebo a vstup pro napájecí kabel k výrobku musí zůstat volně přístupné po celou dobu používání přístroje v provozu.**

**25. Je vhodné umístit produkt do blízkosti elektrické zásuvky nebo prodlužovačky, které musí být snadno přístupné.**

**26. Nejvyšší teplota prostředí vhodná pro tento výrobek je 35 °C.**

**27. ESD tip** – Pokud dojde k vyresetování přístroje nebo není obnoven jeho provoz z důvodu elektrostatického výboje, je třeba výrobek vypnout, odpojit napájecí kabel a pak jej znovu připojit, případně přesunout přístroj na jiné místo.

## 28. Baterie

1. Baterie nesmí být vystaveny nadměrnému teplu, jako například působení přímého slunečního světla, ohně a podobně.
2. Používané baterie by měly být vhodné pro ekologickou likvidaci baterií.
3. UPOZORNĚNÍ pro používání baterií – pro zamezení úniku elektrolytu z baterie, který může způsobit poranění, poškození majetku nebo přístroje:
  - Všechny baterie nainstalujte správně, + a - jak je vyznačeno na přístroji.
  - Nekombinujte baterie (staré a nové nebo uhlíkové a alkalické apod.)
  - Pokud nebudete přístroj delší dobu používat, vyjměte baterie ven (může dojít k jejich vytečení a tím k poškození přístroje).



Bluetooth® název i logo jsou registrované obchodní známky společnosti Bluetooth SIG, Inc. a její použití je zatížené licencí. Ostatní obchodní známky a jména jsou vlastněny jejich vlastníky.

### ERP2 - (EnergyRelatedProducts) poznámka

Tento výrobek je ve shodě s ecodesignem a požadavky 2. stupně (EC)1275/2008 provádějící Nařízení EU2009/125/EC ohledně spotřeby elektrické energie elektronických zařízení pro domácnosti a kanceláře v pohotovostním režimu a vypnutém stavu. Přístroj se automaticky přepne do pohotovostního režimu, pokud po dobu 15 minut nepřichází do audio vstupu žádný signál.

### Důležité upozornění:

Tento přístroj je vybaven režimem pro úsporu energie: přehrávač se automaticky přepne do pohotovostního režimu, pokud po dobu 15 minut nepřichází do audio vstupu žádný signál (dle ERP2 standardu). Vezměte prosím na vědomí, že nízká hlasitost přicházejícího signálu může být interpretována zařízením jako situace kdy nepřichází žádný audio signál a může dojít k přepnutí do pohotovostního režimu. Pokud tato situace nastane, připojte znovu zdroj zvukového signálu, nebo zvýšte hlasitost zdrojového signálu (mp3 přehrávače, atp.).

### Varování

Tento spotřebič není určen pro používání osobami (včetně dětí) se sníženými fyzickými, smyslovými nebo duševními schopnostmi, nebo osobami bez patřičných zkušeností a znalostí, pokud jim nebyl poskytnut dohled nebo instrukce týkající se použití spotřebiče osobou zodpovědnou za jejich bezpečnost. Děti by měly být pod dozorem, aby se zajistilo, že si se spotřebičem nebudou hrát.

1. Chcete-li zabránit možnému poškození sluchu, neposlouchejte delší dobu hudbu a rádio puštěné příliš nahlas.



2. Nikdy nenechávejte zapnutý přístroj bez dozoru! Vypněte přístroj vždy, kdy jej nepoužíváte, byť jen na krátkou dobu.

3. Spotřebič není určen pro provoz prostřednictvím externího časovače nebo samostatného dálkového ovládání.

4. Je-li napájecí kabel poškozen, musí být nahrazen výrobcem, jeho servisním zástupcem (autorizovaným servisem) nebo obdobně kvalifikovanými pracovníky, aby se předešlo nebezpečí.

5. Před použitím tohoto systému zkontrolujte napětí, abyste se ujistili, že je totožné s napětím vaší místní elektrické sítě.

6. Přístroj nesmí mít zakryté větracích otvorů předměty, jako jsou noviny, ubrusy, záclony, atd. Ujistěte se, že nad přístrojem je nejméně 20 cm volného prostoru a kolem něj z každé strany nejméně 5 cm volného prostoru.

7. Přístroj nesmí být vystaven tekoucí, kapající nebo stříkající vodě. Předměty naplněné kapalinami, jako jsou např. vázy, nesmí být umístěny na přístroji.

8. Aby nedošlo k požáru nebo úrazu elektrickým proudem, neumísťujte toto zařízení na horkých místech, nevystavujte ho dešti, vlhkosti nebo prachu.

9. Neumisťujte tento přístroj v blízkosti jakýchkoliv zdrojů vody, např. kohouty, vany, pračky nebo bazény. Ujistěte se, že je přístroj umístěn na suchém, stabilním povrchu.

10. Neumisťujte tento přístroj v blízkosti silného magnetického pole.

11. Nepokládejte přístroj na zesilovače nebo přijímače.

1. Neumísťujte tento prístroj na vlhkom prostredí, vlhkosť bude mať vliv na životnosť elektrických komponent.
2. Pokiaľ systém bezprostredne presuniete z chladného do teplého prostredia, alebo pokiaľ je umiestnený vo veľmi vlhkej miestnosti, môže dôjsť k kondenzácii vlhkosti uvnitř prehrávača. Pokiaľ k tomu dôjde, systém môže byť poškodený a nebude fungovať správne. Prosím, nechajte systém zapnutý približne po dobu jednej hodiny, dokud sa vlhkosť neodparí.
3. Nečistíte jednotku chemickými rozpúšťadlami, tá môže poškodiť povrch zariadenia. Prístroj otvorte čistým, suchým alebo ľahce navlhčeným hadríkom.
4. Pri odpojení napájacieho káblu z zásuvky, ťahajte priamo za zástrčku, nikdy nie za kábel.
5. Síťová zástrčka je používaná ako odpojovacie zariadenie, odpojovacie zariadenie musí byť vždy pripravené k použitiu.

## POZNÁMKA



### Prohlášení o shodě

Blaupunkt Competence Center 2N-Everpol Sp. z o.o. tímto prohlašuje, že je toto zariadenie v súlade so základnými požiadavkami a ďalšími príslušnými ustanoveniami smernice 2014/53 / EU. Prohlášení o shodě lze získat ze stránky produktu na [www.blaupunkt.com](http://www.blaupunkt.com).  
Odpovědná strana: 2N-Everpol Sp. z o.o, Puławska 403A, 02-801 Varšava, Polsko,  
Tel: +48 22 331 99 59, E-mail: [info@everpol.pl](mailto:info@everpol.pl)



Naše produkty jsou navrženy a vyrobeny z vysoce kvalitních materiálů a komponent, které jsou recyklovatelné a znovu použitelné.



Je-li tento symbol přeškrtnutého kontejneru uveden na výrobku, znamená to, že výrobek podléhá směrnici EU 2012/19/EU. Informujte se prosím o místní systém sběru tříděného odpadu pro elektrické a elektronické výrobky. Prosím řiďte se místními pravidly a nelikvidujte staré produkty spolu s běžným komunálním odpadem. Správnou likvidaci starého výrobku pomůžete předejít možným negativním dopadům na životní prostředí a lidské zdraví.



Výrobek obsahuje baterie podléhající směrnici EU 2013/56/EU, které nelze vyhazovat do běžného domovního odpadu. Informujte se prosím o místních pravidlech o sběru baterií, neboť správnou likvidací pomůžete předcházet negativním důsledkům pro životní prostředí a lidské zdraví.

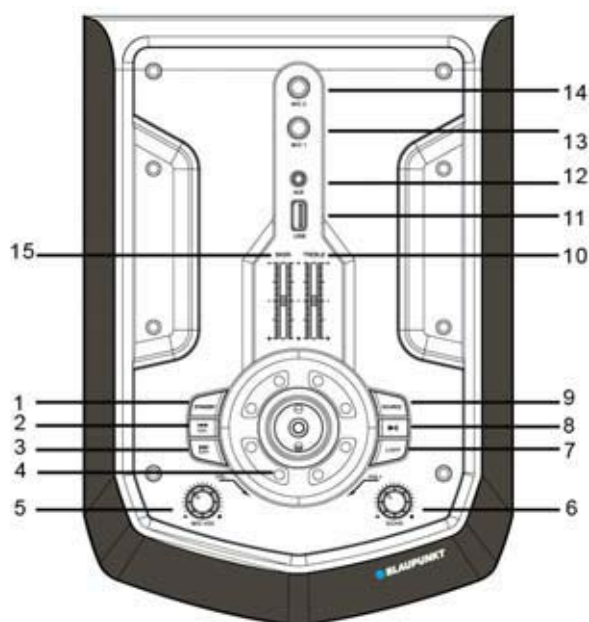
#### **Informace týkající se životního prostředí**

Výrobek je zabalen pouze v nezbytném obalu pro jeho ochranu. Snahou naší firmy je, aby byl obalový materiál snadno rozdělitelný na tři materiály: lepenku (krabice), polystyrén (ochranné balení) a polyetylen (sáčky, ochranné fólie z lehčeného plastu). Výrobek se skládá z materiálů, které lze recyklovat a znovu použít v případě demontáže odbornou firmou. Dodržujte prosím místní předpisy týkající se likvidace obalových materiálů, vybitých baterií a starého zařízení.

Na nahrávání a přehrávání materiálů může být vyžadován souhlas. Viz Zákon o Copyrightu Act 1956 a Zákon na ochranu umělců Sk 1958-1972.

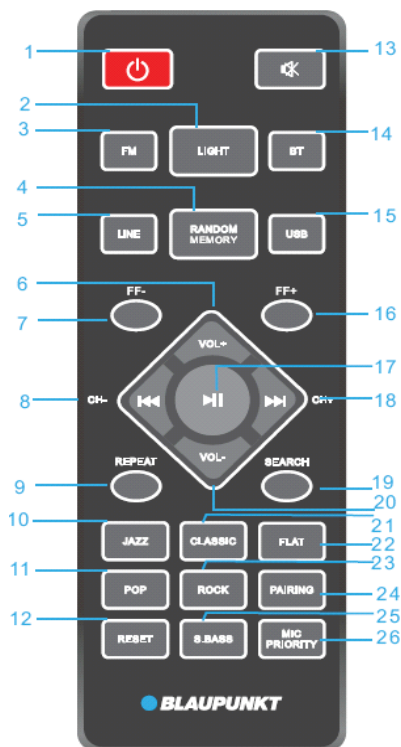
Děkujeme za nákup našeho zařízení. Před zahájením obsluhy je nejprve nutné podrobně přečíst a seznámit se s tímto návodem. Uchovejte návod pro případné použití v budoucnu.

### Řídicí panel



- 1 – Tlačítko pohotovostního režimu (zapnutí / vypnutí);
- 2, 3 - Předchozí / následující / kanál - / kanál +;
- 4 - Ovládání hlasitosti;
- 5 - Otočné kolečko regulace hlasitosti mikrofonu;
- 6 - Otočné kolečko regulace echa mikrofonu;
- 7 - Osvětlení disco
- 8 - Přehrávání / pauza;
- 9 - Zdroj;
- 10, 15 - Regulace nízkých a vysokých tónů;
- 11 - Port USB;
- 12 – Zástrčka AUX IN;
- 13, 14 - Mikrofonový výstup 1 a 2;

## Dálkový ovládač

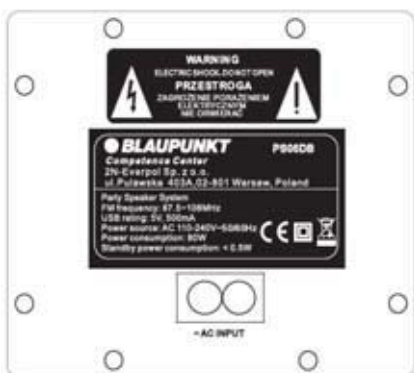


- 1 - Tlačítko napájení;
- 2 - Tlačítko vypnutí/zapnutí osvětlení disco;
- 3, 5, 14, 15 - Tlačítko FM / LINE IN / Bluetooth / USB;
- 4 - Tlačítko zap./vyp. náhodného přehrávání / tlačítko paměti;
- 6, 20 - Hlasitost +/-;
- 7, 16 - Tlačítko rychlého přetáčení FF - / +;
- 8, 18 - Předchozí a následující, tlačítko kanál - / +;
- 9 - Tlačítko opakování (opakovat jednu skladbu / opakovat vše / vypnout);
- 10, 11, 21, 22, 23 - Režimy korektoru EQ (jazz / pop / klasika / flat / rock)
- 12 - Tlačítko reset;
- 13 - Tlačítko ztlumení;
- 17 - Přehrávání / pauza;
- 19 - Tlačítko vyhledávání;
- 24 - Tlačítko párování;
- 25 - Tlačítko Super Bass;
- 26 - Tlačítko priority mikrofonu;

### Připojení napájení

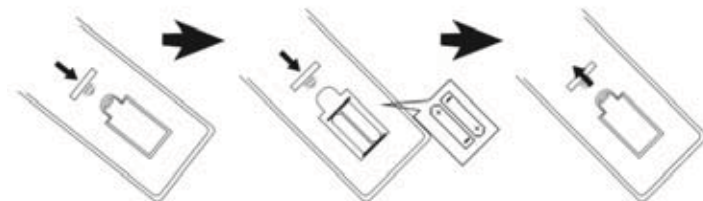
Ověřit, zda zdroj napájení odpovídá specifikaci jmenovitého napětí, která se nachází na zadním panelu zařízení. Pokud se neshoduje, je nutné kontaktovat prodejce nebo servisní centrum.

Zasunout ženskou zástrčku napájecího kabelu do zásuvky v zařízení, následně, pro získání zdroje napájení, připojit zástrčku napájecího kabelu do nástěnné zásuvky. Pro zapojení displeje, zmáčknout napájecí tlačítko na vrchním panelu nebo na dálkovém ovládači, čímž se prokáže, že připojení napájení proběhlo úspěšně a je možno pokračovat s další obsluhou.



### Instalace baterii dálkového ovládače

Otevřít kryt prostoru pro baterie a vložit 2 baterie typu AAA; Ujistěte se, že umístění baterií se shoduje se symboly kladné a záporné polarizace vylistovanými v prostoru pro baterie. Následně umístit kryt prostoru pro baterie zpět.



### Poznámky:

- Nejllepší pracovní vzdálenost ovládače činí 5 metrů bez jakýchkoliv překážek. Při použití je nutné nasměřovat čidlo ovládače na přední část zařízení.
- Citlivost ovládače bude slábnout spolu se spotřebou baterií. Spotřebované baterie je nutné vyměnit za nové.
- V případě, že zařízení nebudete po delší dobu používat, baterie vyjměte.
- Baterie je nutné likvidovat ekologicky šetrným způsobem. Za tímto účelem se je třeba seznámit s požadavky místní samosprávy.

## Všeobecná obsluha

1. Zapnutí / vypnutí: pro zapnutí nebo vypnutí zařízení, je nutné zmáčknout tlačítko pohotovostního režimu na vrchním panelu nebo tlačítko napájení na ovládači; Pro vypnutí napájení, vytáhnout zástrčku ze síťové zásuvky.
2. Výběr zdroje přehrávání: Zmáčknout tlačítko pro volbu zdroje na hlavním panelu nebo zmáčknout FM, BT, LINE, tlačítko USB na ovládači, pro přepínání zdroje přehrávání mezi FM / Bluetooth / Line in / USB.
3. Regulace hlasitosti: Otočit ovládací kolečko hlasitosti na vrchním panelu nebo zmáčknout tlačítko VOL +/- na ovládači, pro zvýšení nebo snížení hlasitosti.
4. Regulace vysokých a nízkých tónů: Pro regulaci barvy výchozího zvuku, posunout posuvník regulace basů/výšek nahoru nebo dolů.
5. Ztlumení zvuku: zmáčknutí tlačítka MUTE na ovládači způsobí ztlumení zvuku; Opětovné zmáčknutí tohoto tlačítka vrací zvuk na dříve nastavenou hodnotu.
6. Nastavení korektoru: zmáčknutí patřičného tlačítka na ovládači umožňuje změnu režimu korektoru mezi Jazz / Classic / Flat / POP / ROCK / Super Bass.
7. Přehrávání / pozastavení: pro pozastavení nebo obnovení přehrávání hudby v režimu Bluetooth / USB, zmáčknout tlačítko přehrávání/pauza.
8. Opakování a náhodné přehrávání: pro zapnutí patřičného režimu přehrávání hudby je nutné zmáčknout tlačítko přehrávání; Pro zapnutí / vypnutí funkce náhodného přehrávání v režimu USB, zmáčknout tlačítko náhodného přehrávání.
9. Osvětlení: pro přepínání mezi osmi efekty režimu osvětlení nebo pro jejich vypnutí, je nutné opakovaně zmáčknout tlačítko osvětlení.
10. Reset: pro vrácení zařízení do továrního nastavení, zmáčknout tlačítko resetování na ovládači.

## Obsluha FM rádia

Před zahájením poslechu FM rádia, je pro dosažení lepšího příjmu FM signálu nutné zařízení umístit vedle okna. Zařízení má zabudovanou interní FM anténu.

1. Automatické skenování a programování rádiových stanic (automatický režim): krátké zmáčknutí tlačítka pro přehrávání / pauzu na vrchním panelu nebo zmáčknutí tlačítko pro vyhledávání na ovládači spouští režim automatického skenování a ukládání dostupných rádiových stanic. Po ukončení skenování, zařízení zahájí automatické přehrávání první naprogramované stanice. (Maximální počet obsluhovaných naprogramovaných stanic: 40)
2. Volba rádiové stanice: pro výběr a přehrávání předchozí nebo následně naprogramované stanice, je nutné v režimu rádia zmáčknout tlačítko následující / předchozí na vrchním panelu nebo ovládači.
3. Programování rádiových stanic (manuální režim): zmáčknout a podržet na několik sekund tlačítko následující / předchozí pro automatické skenování nebo krátce zmáčknout tlačítko FF +/- na ovládači, pro nastavení oblíbené stanice a následně zmáčknout tlačítko paměti, pro zahájení režimu manuálního programování, následně zmáčknout tlačítko kanál +/- na ovládači, pro výběr požadovaného umístění stanice, opětovně zmáčknout tlačítko paměti, pro potvrzení a ukončení programování.

### USB přehrávání

Zařízení má funkci USB přehrávání, která může dekodovat a přehrávat hudbu z přenosných USB pamětí. Před zahájením přehrávání, zkopírovat hudbu MP3 na přenosnou USB paměť; Vložit USB paměť do zařízení, protože režim USB přehrávání je dostupný pouze tehdy, když je USB paměť správně připojena. Následně zařízení provede automatické rozpoznání a přehraje MP3 hudbu.

Volba skladby: pro zvolení předchozí nebo následující skladby, je třeba krátce zmáčknout tlačítko předchozí/následující; Pro posunutí aktuálně přehrávané skladby do předu, je třeba zmáčknout a podržet tlačítko sloužící k přetáčení, pro další poslech skladby, tlačítko uvolnit.

V režimu USB jsou dostupné následující funkce: přehrávání / pauza, ztlumení, opakování, korekce zvuku, regulace vysokých / nízkých tónů atp. Podrobnosti se nacházejí v bodě „Všeobecná obsluha“ tohoto návodu.

### Poznámky:

- Nedoporučuje se připojovat USB paměti pomocí USB prodlužovacích kabelů, protože to může mít negativní vliv na kvalitu přehrávání a způsobovat hluk nebo přerušovaný zvuk, který je způsobený ztrátou audio dat během odesílání souborů.
- Nelze zaručit dekodování a přehrávání všech skladeb ve formátu Mp3.
- Zařízení obsluhuje USB paměti s maximálním objemem 32 GB.
- Automatické přehrávání některých USB pamětí, může, s ohledem na typ a výrobce, zabrat trochu víc času; Nesmíme zapomínat, že nejde o poruchu.

### Fungování Bluetooth

Tento produkt má funkci Bluetooth, která umožňuje bezdrátové přehrávání hudby z jiného zařízení Bluetooth (jakým je chytrý telefon, tablet atp.).

- Opakovaně zmáčknout tlačítko zdroje, pro vstup do režimu Bluetooth, na displeji se objeví text „BLUE“, což znamená, že zařízení je připraveno k párování.
- Zapnout funkci Bluetooth na vnějším zařízení a vyhledat dostupná zařízení (seznamte se s návodem pro obsluhu vnějšího zařízení), následně ověřit dostupnost zařízení Bluetooth v seznamu. Pro připojení zvolit "BP PS05DB", displej s blikajícím textem "BLUE" bude po úspěšném párování stabilní.
- Zvolit a přehrát hudbu z vnějšího zařízení Bluetooth, následně dojde k přehrávání zvuku pomocí reproduktoru v zařízení.
- Pro výběr poslední a následující přehrávané skladby, zmáčknout tlačítko předcházející / následující.
- V režimu Bluetooth je možno mít funkci přehrávání / pauzy, ztlumení, korekce zvuku, korekce vysokých a nízkých tónů. Podrobnosti se nacházejí v bodě „Všeobecná obsluha“ tohoto návodu.

### Poznámky:

- Nelze zaručit správné propojení se všemi zařízeními Bluetooth a to s ohledem na odlišné projekty a značky.
- Pracovní vzdálenosti Bluetooth je 10 metrů bez jakýchkoliv překážek.
- Zařízení se může spárovat a pracovat s jedním zařízením Bluetooth současně.
- V případě příchodního spojení během přehrávání Bluetooth; Hudba se zastaví a bude obnovena po ukončení telefonického hovoru.
- Pro ukončení aktuálního propojení se zařízením Bluetooth a zahájení párování s jiným zařízením, je nutné zmáčknout tlačítko párování na ovládači.

**Provoz v režimu AUX IN**

Pro připojení a přehrávání hudby z jiného přehrávače nebo zařízení, je třeba postupovat dle těchto instrukcí:

Pomocí audio kabelu propojit zástrčku AUX IN na vrchním panelu zařízení s lineárním výstupem nebo zástrčkou pro sluchátka přehrávače, jakým je např. MP3 přehrávač, CD, DVD, mixer atp. Následně je třeba vybrat a přehrávat hudbu na vnějším přehrávači, zvuk poté bude přehráván pomocí našeho zařízení.

V režimu AUX-IN provádí hlavní kontrolu přehrávání vnější přehrávač. Na našem zařízení je možno kontrolovat hlasitost, ztlumení zvuku a regulovat úroveň basů a výšek.

**Karaoke**

Zařízení má dvojitý vstup pro mikrofon, který umožňuje zpívat písně doma nebo na akci. Připojit mikrofon s kabelem do zástrčky 6,5 mm (naš model obsahuje jeden mikrofon s kabelem) a následně zapnout mikrofon. Provést přesnou regulaci výstupní hladiny mikrofonu přetáčením regulačního kolečka pro hlasitost mikrofonu na vrchním panelu. Pak můžete zahájit zpívání.

**Rady:**

- Pokud používáte mikrofon pro obsluhu funkce Karaoke, je možné pomoci patřičných koleček provést regulaci nastavení vysokých tónů / basů / echa.
- Reproduktor může vydávat hlasitý hluk nebo zkreslení v okamžiku, kdy hladina hlasitosti, nastavení basů a výšek nebo funkce echa budou nastaveny na příliš vysoké úrovni. Nejde o poruchu. Je třeba snížit hladinu výše uvedených nastavení a následně mikrofon zapnout nebo vypnout.
- Naše zařízení má funkci priority mikrofonu. Pokud si tuto funkci zvolíte z ovládače, zvuk karaoke bude přehráván pomocí reproduktorů a bude mít prioritu (bez hudebního pozadí); po ukončení zpívání se automaticky spustí přehrávání hudby.
- Používat funkci karaoke a poslouchat hudbu lze současně; V případě, kdy potřebujete zvýšit hlasitost karaoke a snížit hladinu zvuku v pozadí, můžete pomocí patřičných ovládacích koleček provést regulaci zvláště hlasitosti mikrofonu a hladiny reproduktoru.
- Mikrofon je nutné vypnout, pokud se dostane vedle reproduktoru, v opačném případě způsobí silný hluk.

**Řešení problémů**

- Reproduktor nelze vypnout.
  - Zkontrolujte, zda je připojení napájení provedeno správně.
- Chybí zvuk.
  - Zkuste provést regulaci ovládacího kolečka pro hlasitost a zkontrolovat zdroj přehrávání.
  - Pokud bude problém přetrvávat, bude nutné kontaktovat servisní centrem.
- Zkreslení zvuku.
  - Zkuste přizpůsobit a přehrát hudbu s nižší hladinou hlasitosti.
  - Ověřte stav regulace vysokých / nízkých tónů.
- Šum při poslechu FM stanice.
  - Pro zlepšení příjmu, přeneste zařízení na jiné místo.
  - Spusťte opět skenování nebo změňte stanici na jinou.

**Specifikace**

Zdroj napájení: AC 110-240V, 50/60 Hz.

Frekvence FM: 87,5-108,0 MHz.

Konektor USB: 5V, 500mA, verze 2.0, obsluhovaná datová uložení do 32 GB.

Bluetooth: V2.1 + EDR, pracovní vzdálenost do 10m

Výstupní výkon RMS: 2 x 30 W.

Regulace nízkých a vysokých tónů: -9dB ~ + 9dB.

Mikrofon: výstup 2 x 6,5 mm, připojení kabelového mikrofonu.

Příkon: 80 W

Příkon v pohotovostním režimu: < 0,5 W.

(Tato specifikace může být změněna bez předchozího oznámení).

Ďakujeme, že ste si kúpili náš výrobok. Predtým než začnete zariadenie používať, dôkladne sa oboznámte s touto užívateľskou príručkou. Užívateľskú príručku uchovajte, aby ste ju v budúcnosti mohli v prípade potreby použiť.

## DÔLEŽITÉ BEZPEČNOSTNÉ POKYNY



NEBEZPEČENSTVO ÚRAZU ELEKTRICKÝM PRÚDOM!  
NEOTVÁREJTE!

### Upozornenie:

Pre zníženie rizika úrazu elektrickým prúdom nezasahujte do vnútorných častí prístroja a neodstraňujte jeho kryt. V prípade poruchy zverte servis produktu autorizovanému servisu.

SLOVAK

### Vysvetlenie grafických symbolov:



Symbol blesku v trojuholníku označuje nezaizolovaný materiál v jednotke, ktorý môže spôsobiť úraz elektrickým prúdom. Pre bezpečnosť všetkých vo vašej domácnosti, prosím, neodstraňujte kryt produktu.



Výkričník v trojuholníku upozorňuje na funkcie, o ktorých by ste si mali pozorne prečítať priložené informácie, aby ste zabránili ťažkostiam s prevádzkou a údržbou zariadení.

K dosiahnutiu Vašej najvyššej spokojnosti a radosti z používania nášho produktu, prečítajte si prosím najskôr starostlivo tento návod a zoznámte sa s jeho funkciami pred tým, než ho začnete používať. To Vám zabezpečí leta bezproblémového výkonu produktu a pôžitok z hudby.

## Dôležité upozornenie

Tieto bezpečnostné a prevádzkové pokyny uschovajte pre budúce použitie.

a. Prístroj nesmie byť vystavený vode a umiestnený vo vlhkom prostredí (napr. v kúpeľni).

b. Výrobok by nemal byť umiestnený:

a) .na miestach vystavených priamemu slnečnému žiareniu alebo v blízkosti vykurovacích telies.

b) .na iných stereofónnych zariadeniach, ktorá vyžarujú príliš tepla.

c) .Na miestach, kde by bolo zamedzené ochladzovanie prístroja pomocou jeho ventilátora alebo v prašnom prostredí.

d) .Na miestach, ktorá konštantne vibrujú.

e) .na vlhkých a mokrých priestoroch.

f) .blízkosti zapálených sviečok alebo iných zdrojov otvoreného ohňa.

c. Výrobok používajte len podľa pokynov v tejto príručke.

d. Pred prvým zapnutím prístroja sa uistite, že je napájací kábel správne pripojený.

Z bezpečnostných dôvodov neodstraňujte žiadne kryty ani sa nepokúšajte získať prístup k vnútrajšku výrobku. Nepokúšajte sa odstrániť skrutky, alebo otvárať kryt jednotky. Servis produktu a všetky opravy vždy zverte autorizovanému servisu a jeho kvalifikovanému personálu.

## BEZPEČNOSTNÉ POKYNY

**1.Čítajte pokyny** – pred uvedením prístroja do prevádzky si prečítajte všetky bezpečnostné a prevádzkové pokyny a návod na obsluhu.

**2.Uschovajte návod na obsluhu** – tento návod na obsluhu uschovajte pre budúce použitie.

**3.Dbajte na varovania** – všetky varovania na produkte a v návode na obsluhu je potrebné dodržiavať.

**4.Postupujte podľa pokynov** – pokyny pre prevádzku a bezpečnostné pokyny je potrebné dodržiavať.

**5.Inštalácia** – inštalujte výrobok v súlade s pokynmi výrobcu.

**6.Napájacie zdroje** – tento produkt napájajte len z druhu zdroja, ktorý je uvedený na napájacom kábli. Ak si nie ste istí, aký typ napájania máte doma, obráťte sa na svojho predajcu výrobkov alebo miestnu energetickú spoločnosť.

**7.Uzemnenie alebo polarizácia** – výrobok nemusí byť uzemnený. Uistite sa, že zástrčka napájacieho kábla je úplne zasunutá do elektrickej zásuvky alebo do predĺžovacieho kábla tak, aby bolo zamedzené vzniku prechodového odporu a tým možného rizika vzniku požiaru. Ak používate predĺžovací napájací kábel alebo neoriginálny napájací kábel od iného výrobcu, než ktorý je dodávaný ako súčasť balenia s výrobkom, musí byť tento neoriginálny kábel vybavený príslušnými kontaktami pre prepojenie s výrobkom a musia mať bezpečnostné schválenia pre použitie v danej krajine.

**8.Ochrana napájacieho káblu** – napájacie káble by mali byť vedené tak, aby neboli prehnuté, stáčanie predmety umiestnenými na alebo proti nim, po napájacom kábli by nemalo byť chodenie. Pred týmito nežiaducimi vplyvmi chráňte najmä konektory káblov na zapojenie do zásuvky a pre napojenie s produktom.

**9.Preťaženie** – nepreťažujte elektrické zásuvky, predĺžovacie káble alebo viacnásobné zásuvky, následkom takéhoto preťažovania je zvýšené riziko požiaru alebo úrazu elektrickým prúdom.

**10.Vetranie** – výrobok musí byť umiestnený na riadne vetrané miesto. Nekladte výrobok na posteľ, pohovku, alebo iný podobný povrch. Nezakrývajte výrobok vecami, ako sú obrusy, noviny, apod.

**11.Teplo** – tento produkt by nemal byť umiestnený v blízkosti zdrojov tepla, ako sú radiátory, regenerátory tepla, kachle, zosilňovače a iné zariadenia, ktoré produkujú teplo. Na prístroji nesmie byť umiestnený žiadny zdroj otvoreného ohňa, napríklad zapálené sviečky.

**12.Voda a vlhkosť** – pre zníženie rizika požiaru alebo úrazu elektrickým prúdom, nevystavujte výrobok kvapkajúcej, striekajúcej alebo tečúcej vode a nadmernej vlhkosti, napr. v saune či kúpeľni. Nepoužívajte tento výrobok v blízkosti vody, napríklad pri vani, umývadle, dreze, kade, vo vlhkej pivnici, v blízkosti bazény a pod.

**13.Vniknutie predmetov a tekutín** – nikdy nekladajte akékoľvek cudzie predmety do otvorov výrobku, mohli by sa dotknúť miest s vysokým napätím alebo by mohli spôsobiť skrat, čo môže viesť k požiaru alebo úrazu elektrickým prúdom. Nikdy nelejte akúkoľvek tekutinu akéhokoľvek druhu na výrobok ani do

výrobku. Neumiestňujte akýkoľvek predmet obsahujúci tekutinu na povrch výrobku (napr. Váza, pohár s vodou a pod.).

**14.Čistenie** – pred čistením odpojte výrobok z elektrickej zásuvky. Prach z prístroja odstraňujte suchou handričkou. Ak chcete používať aerosólové čistiace spreje, nestriekajte priamo na výrobok; nastriekajte čistiaci prostriedok na handričku a potom aplikujte. Dávajte pozor, aby nedošlo k poškodeniu hracej jednotky.

**15.Príslušenstvo** – nepoužívajte neoriginálne príslušenstvo, ktoré nie je odporúčané výrobcom produktu, neoriginálne príslušenstvo môže ohroziť bezpečné používanie a funkciu výrobku.

**16.Umiestnenie** – neumiestňujte výrobok na nestabilný vozík, stojan, trojnožku, konzolu alebo stolík. Výrobok môže spadnúť a spôsobiť vážne zranenie deťom alebo dospelým a môže dôjsť k vážnemu poškodeniu výrobku. Používajte iba so stabilným vozíkom, stojanom, trojnožkou, držiakom alebo stolom, alebo zariadením doporučeným výrobcom alebo predávaným spolu s výrobkom. Ak je nutná akákoľvek montáž výrobku, riadte sa pokynmi výrobcu a používajte iba montážne príslušenstvo odporúčané výrobcom.

**17.Manipulácia s produktom** – pri premiestňovaní produktu na vozíku je nutné dodržiavať opatrnosť. Prudká zmena smeru, prudké zastavenie, vysoká rýchlosť alebo nerovný povrch môžu spôsobiť prevrhnutie vozíka a tým prípadné poškodenie produktu.

**18.Obdobie nepoužívania** – ak je zariadenie dlhší čas nepoužívala musí byť napájací kábel prístroja odpojený z elektrickej zásuvky. Odpojte napájací kábel z elektrickej zásuvky počas búrky.

**19.Servis** – nepokúšajte sa o servis alebo o opravu tohto prístroja svojpomocne, otvorenie alebo odstránenie krytov prístroja vás môže vystaviť nebezpečenstvu úrazu elektrickým prúdom alebo inému nebezpečenstvu. Všetky opravy prístroja zverte kvalifikovanému servisnému personálu autorizovaného servisu.

**20.Prosím, ak nie je v prevádzke, odpojte napájací kábel z hlavného zdroja energie alebo z elektrickej zásuvky v stene.** Vo chvíli, keď je napájací kábel zapojený k zdroju elektrickej energie, je systém v pohotovostnom režime, to znamená, že prístroj nie je úplne vypnutý a prúdi do neho elektrická energia.

**21.Náhradné diely** – ak sú potrebné náhradné diely, uistite sa, že servisný technik použil náhradné diely, ktoré sú špecifikované výrobcom alebo majú rovnaké vlastnosti ako originálne diely. Neoprávnená výmena môže viesť k požiaru, úrazu elektrickým prúdom alebo spôsobiť iné nebezpečenstvo.

**22.Sieťové poistky** – pre trvalú ochranu proti požiaru, používajte iba správny typ poistiek. Správna špecifikácia poistiek je pre každý rozsah napätia vyznačená na výrobku.

**23.Nezvyšujte príliš hlasitosť pri počúvaní časti s veľmi nízkou úrovňou hlasitosti alebo pri náhlej úplnej absencii zvuku.** Ak tak urobíte, môže vo chvíli opätovného zvýšenia úrovne hlasitosti prehrávanej pasáže dôjsť k poškodeniu reproduktorov.

**24.Pokiaľ chcete prístroj úplne odpojiť od napájania, musíte odpojiť napájací kábel od prístroja alebo od elektrickej zásuvky.** Elektrická zásuvka alebo a vstup pre napájací kábel k výrobku musí zostať voľne prístupné po celú dobu používania prístroja v prevádzke.

**25.Je vhodné umiestniť produkt do blízkosti elektrickej zásuvky alebo predĺžovačky, ktoré musia byť ľahko prístupné.**

**26.Najvyššia teplota prostredia vhodná pre tento výrobok je 35 °C.**

**27.ESD tip** – Ak dôjde k vyresetovaniu prístroja alebo nie je obnovený jeho prevádzka z dôvodu elektrostatického výboja, treba výrobok vypnúť, odpojiť napájací kábel a potom ho znova pripojiť, prípadne presunúť prístroj na iné miesto.

## 28.Batérie

1. Batérie nesmú byť vystavené nadmernému teplu, ako napríklad pôsobeniu priameho slnečného svetla, ohňa a podobne.

2. Použité batérie by mali byť vhodné pre ekologickú likvidáciu batérií.

3. UPOZORNENIE pre používanie batérií - pre zamedzenie úniku elektrolytu z batérie, ktorý môže spôsobiť poranenie, poškodenie majetku alebo prístroja:

- Všetky batérie nainštalujte správne, + a - ako je vyznačené na prístroji.

- Nekombinujte batérie (staré a nové alebo uhlíkové a alkalické atď.)

- Pokiaľ nebudete prístroj dlhšiu dobu používať, vyberte batérie von (môže dôjsť k ich vytečeniu a tým k poškodeniu prístroja).



Bluetooth® názov i logo sú registrované obchodné známky spoločnosti Bluetooth SIG, Inc. a jej použitie je zatažené licenciou. Ostatné obchodné známky a mená sú vlastnené ich vlastníkmi.

#### **ERP2 - (Energy Related Products) poznámka**

Tento výrobok je v zhode s EcoDesign a požiadavky 2. stupňa (EC) 1275/2008 vykonávajúci Nariadenie EÚ 2009/125 / EC ohľadom spotreby elektrickej energie elektronických zariadení pre domácnosti a kancelárie v pohotovostnom režime a vypnutom stave. Prístroj sa automaticky prepne do pohotovostného režimu, ak po dobu 15 minút neprichádza do audio vstupe žiadny signál.

#### **Dôležité upozornenia:**

Tento prístroj je vybavený režimom pre úsporu energie: prehrávač sa automaticky prepne do pohotovostného režimu, ak po dobu 15 minút neprichádza do audio vstupe žiadny signál podľa ERP2 štandardu). Vezmite prosím na vedomie, že nízka hlasitosť prichádzajúceho signálu môže byť interpretovaná zariadením, ako situácia kedy neprichádza žiadny audio signál a môže dôjsť k prepnutiu do pohotovostného režimu. Ak táto situácia nastane, pripojte znovu zdroj zvukového signálu, alebo zvýšte hlasitosť zdrojového signálu (mp3 prehrávače, atp.).

#### **Varovanie**

Tento spotrebič nie je určený pre používanie osobami (vrátane detí) so zníženými fyzickými, zmyslovými alebo duševnými schopnosťami, alebo osobami bez patričných skúseností a znalostí, pokiaľ im nebol poskytnutý dohľad alebo inštrukcie týkajúce sa použitia spotrebiča osobou zodpovednou za ich bezpečnosť. Deti by mali byť pod dozorom, aby sa zaistilo, že sa so spotrebičom nebudú hrať.

1. Ak chcete zabrániť možnému poškodeniu sluchu, nepočúvajte dlhšiu dobu hudbu a rádio pustené príliš nahlas.



2. Nikdy nenechávajte zapnutý prístroj bez dozoru! Vypnite prístroj vždy, keď ho nepoužívate, hoci len na krátku dobu.
3. Spotrebič nie je určený pre prevádzku prostredníctvom externého časovača alebo samostatného diaľkového ovládania.
4. Ak je napájací kábel poškodený, musí byť nahradený výrobcom, jeho servisným zástupcom (autorizovaným servisom), alebo obdobne kvalifikovanými pracovníkmi, aby sa predišlo nebezpečenstvu.
5. Pred použitím tohto systému skontrolujte napätie, aby ste sa uistili, že je totožné s napätím vašej miestnej elektrickej siete.
6. Prístroj nesmie mať zakryté vetracích otvorov predmetmi, ako sú noviny, obrusy, záclony, atď. Uistite sa, že nad prístrojom je najmenej 20 cm voľného priestoru a okolo neho z každej strany najmenej 5 cm voľného priestoru.

1. Prístroj nesmie byť vystavený tečúcej, kvapkajúcej alebo striekajúcej vode. Predmety naplnené kvapalinami, ako sú napr. Vázy, nesmú byť umiestnené na prístroji.
2. Aby nedošlo k požiaru alebo úrazu elektrickým prúdom, neumiestňujte toto zariadenie na horúcich miestach, nevystavujte ho dažďu, vlhkosti alebo prachu.
3. Neumiestňujte tento prístroj v blízkosti akýchkoľvek zdrojov vody, napr. Kohúty, vane, práčky alebo bazény. Uistite sa, že je prístroj umiestnený na suchom, stabilnom povrchu.
4. Neumiestňujte tento prístroj v blízkosti silného magnetického poľa.
5. Nekladte prístroj na zosilňovače alebo prijímače.
6. Neumiestňujte tento prístroj na vlhkom prostredí, vlhkosť bude mať vplyv na životnosť elektrických komponentov.
7. Ak systém bezprostredne premiestnite z chladného do teplého prostredia, alebo ak je umiestnený vo veľmi vlhkej miestnosti, môže dôjsť ku kondenzácii vlhkosti vo vnútri prehrávača. Ak k tomu dôjde, systém môže byť poškodený a nebude fungovať správne. Prosím, nechajte systém zapnutý približne po dobu jednej hodiny, kým sa vlhkosť neodparí.
8. Nečistite jednotku chemickými rozpúšťadlami, tá môžu poškodiť povrch zariadenia. Prístroj utrite čistým, suchým alebo mierne navlhčenou handričkou.
9. Pri odpájaní napájacieho kábla zo zásuvky, ťahajte priamo za zástrčku, nikdy nie za kábel.
10. Sieťová zástrčka je používaná ako rušiacie zariadenie, vypínacie zariadenie musí byť vždy pripravené na použitie.

## POZNÁMKA



Prehlásenie o zhode

Blaupunkt Competence Center 2N-Everpol Sp. z o.o. týmto prehlasuje, že je toto zariadenie v súlade so základnými požiadavkami a ďalšími príslušnými ustanoveniami smernice 2014/53 / EU. Prehlásenie o zhode je možné získať zo stránky produktu na [www.blaupunkt.com](http://www.blaupunkt.com).

Zodpovedná strana: 2N-Everpol Sp. z o.o, Puławska 403A, 02-801 Varšava, Poľsko,

Tel: +48 22 331 99 59, E-mail: [info@everpol.pl](mailto:info@everpol.pl)



aše produkty sú navrhnuté a vyrobené z vysoko kvalitných materiálov a komponentov, ktoré sú recyklovateľné a znovu použiteľné.



Ák je tento symbol preškrtnutej odpadovej nádoby uvedený na výrobku, znamená to, že výrobok podlieha smernici EU 2002/96 / ES. Informujte sa prosím o miestnom systéme separovaného zberu pre elektrické a elektronické výrobky. Prosím riadte sa miestnymi pravidlami a nelikvidujte staré produkty spolu s bežným komunálnym odpadom. Správnou likvidáciou pomôžete znížiť negatívne následky na životné prostredie a ľudské zdravie.



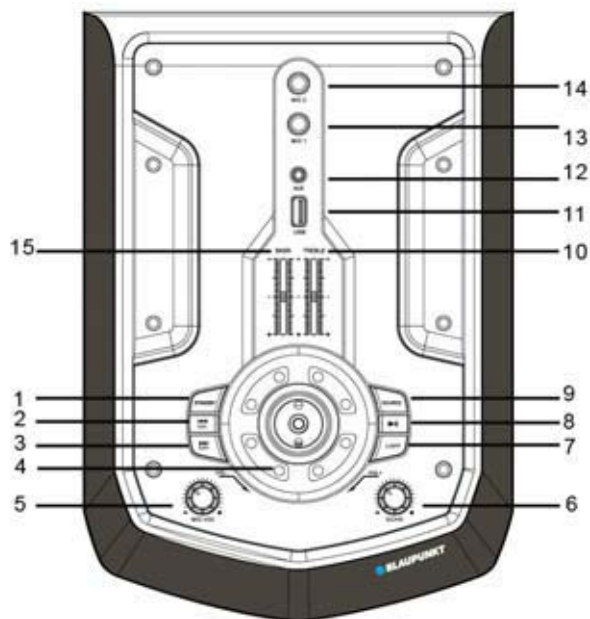
Výrobok obsahuje batérie, ktoré smernicu EÚ 2013/56 / EU nemožno vyhadzovať do bežného domového odpadu. Informujte sa prosím o miestnych pravidlách separovaného zberu batérií, pretože správnu likvidáciu pomôžete predchádzať negatívnym dôsledkom pre životné prostredie a ľudské zdravie.

#### **Informácie týkajúce sa životného prostredia**

Výrobok je zabalený len v nevyhnutnom obale pre jeho ochranu. Snahou našej firmy je, aby bol obalový materiál ľahko rozdeliteľný na tri materiály: kartón (krabica), polystyrénová pena (vypodloženie) a polyetylén (vrecká, ochranná penová pokrývka). Výrobok sa skladá z materiálov, ktoré je možné recyklovať a znovu použiť v prípade demontáže odbornou firmou. Dodržujte prosím miestne predpisy týkajúce sa likvidácie obalových materiálov, vybitých batérií a starého zariadenia. Na nahrávanie a prehrávanie materiálov môže byť vyžadovaný súhlas. Pozri Zákon o copyrightu Act 1956 a Zákon na ochranu umelcov Sk 1958-1972.

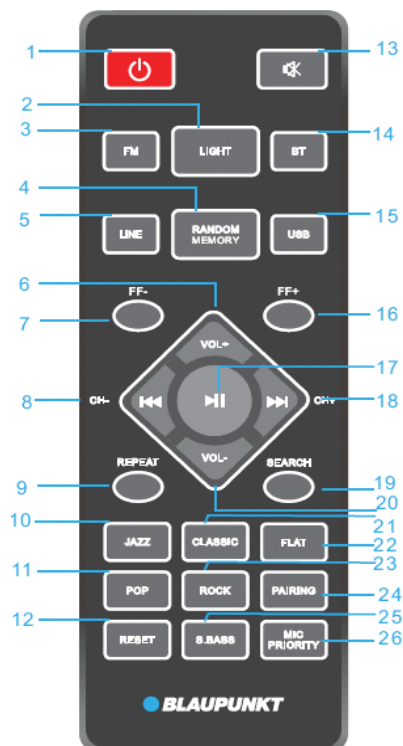
Ďakujeme, že ste si kúpili toto zariadenie. Predtým, než ho začnete používať, dôkladne sa oboznámte s touto príručkou. Príručku uchovajte pre prípadnú potrebu v budúcnosti.

### Ovládací panel



- 1 - Tlačidlo pohotovostného režimu (zapnúť/vypnúť);
- 2,3 - Predchádzajúce/nasledujúce / kanál - / kanál +;
- 4 - Ovládanie hlasitosti;
- 5 - Ovládacie koliesko hlasitosti mikrofónu;
- 6 - Ovládacie koliesko echa mikrofónu;
- 7 - Disko osvetlenie
- 8 - Prehrávanie/pauza;
- 9 - Zdroj;
- 10,15 - Nastavenie nízkych a vysokých tónov;
- 11 - USB port;
- 12 - Vstup AUX IN;
- 13,14 - Mikrofónové vstupy 1 a 2;

## Dialkový ovládač



- 1 - Tlačidlo napájania;
- 2 - Tlačidlo zapnúť/vypnúť disko osvetlenie;
- 3,5,14,15 - Tlačidlo FM / LINE IN / Bluetooth / USB;
- 4 - Tlačidlo zap./vyp. náhodného prehrávania/tlačidlo zapamätania;
- 6,20 - Hlasitosť +/-;
- 7,16 - Tlačidlo rýchleho presúvania FF - / +;
- 8,18 - Predchádzajúci a nasledujúci, kanál - / +;
- 9 - Tlačidlo opakovania (opakovať jednu skladbu/opakovať všetko/vypnúť);
- 10,11,21,22,23 - Režimy ekvalizéra EQ (džez/pop/klasika/plochý/rock)
- 12 - Tlačidlo reset;
- 13 - Tlačidlo stlmenia;
- 17 - Prehrávanie/pauza;
- 19 - Tlačidlo vyhľadávania;
- 24 - Tlačidlo párovania;
- 25 - Tlačidlo Super Bass;
- 26 - Tlačidlo priority mikrofónu;

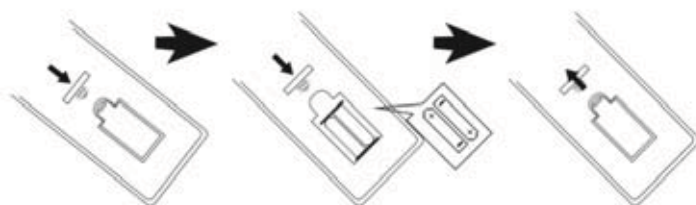
## Pripojenie napájania

Skontrolujte, či parametre el. obvodu, ku ktorému chcete zariadenie pripojiť, sa zhodujú s parametrami uvedenými na výrobnom štítku, ktorý sa nachádza na zadnej strane zariadenia. Ak sa nezhodujú, kontaktujte predajcu alebo autorizovaný servis. Samičiu koncovku napájacieho kábla zastrčte do zariadenia, a následne zástrčku napájacieho kábla zastrčte do el. zásuvky. Takým spôsobom pripojíte zariadenie k el. napätiu. Stlačte tlačidlo On/Off na hornom paneli alebo na diaľkovom ovládači, následne zasvieti displej, čo znamená, že zariadenie je správne pripojené k el. napätiu a môžete ho začať používať.



## Vloženie batérií do diaľkového ovládača

Otvorte zadné veko komory batérií a vložte 2 batérie typu AAA; Uistite sa, či sú batérie vložené správnym smerom, podľa piktogramov, ktoré sú v komore. Následne zatvorte veko komory batérií.



## Poznámky:

- Pilot má najlepší dosah do 5 metrov, bez žiadnych prekážok. Keď používate diaľkový ovládač, snímačom smerujte na prednú časť zariadenia.
- Citlivosť diaľkového ovládača sa bude s vybitím batérií znižovať. Vybité batérie vymeňte na nové/nabité.
- Ak zariadenie nebudete dlhší čas používať, vyberte z neho batérie.
- Batérie likvidujte šetrne k životnému prostrediu. Oboznámte sa a postupujte podľa miestnych predpisov.

## Všeobecná obsluha

1. Zapínanie/vypínanie: Keď chcete zariadenie zapnúť alebo vypnúť, stlačte tlačidlo pohotovostného režimu na hlavnom paneli, alebo tlačidlo On/Off na diaľkovom ovládači; Keď chcete vypnúť el. napätie, vyťahnite zástrčku z el. zásuvky.
2. Voľba zdroja prehrávania: Keď chcete prepnúť zdroj prehrávania medzi FM / Bluetooth / Line in / USB, stlačte tlačidlo zdroja prehrávania na hlavnom paneli, alebo stlačte tlačidlo FM, BT, LINE, USB na diaľkovom ovládači.
3. Nastavovanie hlasitosti: Keď chcete zväčšiť alebo zmenšiť úroveň hlasitosti, otáčajte ovládacím kolieskom hlasitosti na hlavnom paneli, alebo stláčajte tlačidlo VOL +/- na diaľkovom ovládači.
4. Nastavenie vysokých a nízkych tónov: Keď chcete nastaviť farbu zvuku, presuňte dohora alebo dole jazdec nastavenia vysokých a nízkych tónov.
5. Stlmenie zvuku: Keď chcete stlmiť zvuk, stlačte tlačidlo MUTE na diaľkovom ovládači; Keď chcete zvuk opäť zapnúť (na úrovni pred stlmením), opäť stlačte toto tlačidlo.
6. Nastavenie ekvalizéra: Keď chcete nastaviť typ hudby ekvalizéra (Jazz / Classic / Flat / POP / ROCK / Super Bass), stlačte príslušné tlačidlo na diaľkovom ovládači.
7. Prehrávanie/pauza: Keď chcete spustiť alebo obnoviť prehrávanie hudby v režime Bluetooth / USB, stlačte tlačidlo prehrávanie/pauza.
8. Opakovanie a náhodné prehrávanie: Keď chcete zapnúť požadovaný spôsob prehrávania hudby, stlačte tlačidlo opakovania; Keď chcete zapnúť / vypnúť funkciu náhodného prehrávania (v režime USB), stlačte tlačidlo náhodného prehrávania.
9. Osvetlenie: Keď chcete prepnúť typ osvetlenia (medzi dostupnými ôsmimi efektami), alebo chcete osvetlenie vypnúť, stláčajte tlačidlo osvetlenia.
10. Reset: Keď chcete obnoviť továrenské (predvolené) nastavenia, stlačte tlačidlo Reset.

## Používanie FM rádia

Predtým, než začnete počúvať FM rádio, zariadenie presuňte bližšie k oknu, tzn. na miesto so silnejším rádiovým signálom. Zariadenie má integrovanú internú FM anténu.

1. Automatické vyhľadávanie a programovanie rozhlasových staníc (automatický režim): Automatický režim vyhľadávania a zapisovania dostupných rozhlasových staníc spustíte krátkym stlačením tlačidla prehrávania/pauzy na hlavnom paneli, alebo stlačením tlačidla vyhľadávania na diaľkovom ovládači. Keď sa skončí vyhľadávanie, zariadenie sa automaticky nastaví na prvú uloženú rozhlasovú stanicu. (Maximálny počet uložených rozhlasových staníc: 40)
2. Voľba rozhlasovej stanice: Keď chcete vybrať a začať prehrávať predchádzajúcu alebo nasledujúcu uloženú rozhlasovú stanicu, v režime rádia stlačte tlačidlo nasledujúce/predchádzajúce na hlavnom paneli alebo na diaľkovom ovládači.
3. Nastavovanie rozhlasových staníc (ručný režim): keď chcete spustiť automatické vyhľadávanie, stlačte a na niekoľko sekúnd podržte tlačidlo nasledujúce/predchádzajúce, alebo krátko stlačte tlačidlo FF +/- na diaľkovom ovládači, nastavte požadovanú rozhlasovú stanicu, a následne stlačte tlačidlo pamäte, spustí sa režim ručného ukladania. Následne stlačte tlačidlo kanál +/- na diaľkovom ovládači, a vyberte požadované umiestnenie, opätovne stlačte tlačidlo pamäte, čím potvrdíte vašu voľbu a ukončíte nastavovanie.

## Prehrávanie USB

Zariadenie má funkciu prehrávania USB, ktorá umožňuje dekodovať a prehrávať súbory uložené na USB kľúčoch. Predtým, než začnete prehrávať súbory, najprv ich skopírujte (vo formáte MP3) na USB kľúč; Následne USB kľúč vložte do zariadenia, pretože režim prehrávania USB je dostupný iba vtedy, keď je USB kľúč správne pripojený (funkčný). Zariadenie následne automaticky vyhľadá a začne prehrávať súbory MP3.

Voľba súboru: Keď chcete vybrať predchádzajúci alebo nasledujúci súbor (skladbu), krátko stlačte tlačidlo predchádzajúce/nasledujúce; Keď chcete aktuálne prehrávanú skladbu presunúť dopredu, stlačte a podržte tlačidlo prevíjania; keď chcete opäť spustiť prehrávanie, pustite tlačidlo.

V režime USB sú dostupné nasledujúce funkcie: prehrávanie / pauza, stlmenie, opakovanie, ekvalizér, nastavenie vysokých a nízkych tónov ap. Podrobnosti sú uvedené v bode „Všeobecná obsluha“ v tejto príručke.

### Poznámky:

- a. Neodporúčame USB kľúče pripájať prostredníctvom predlžovacích USB káblov, pretože to môže mať negatívny vplyv na kvalitu prehrávania a spôsobovať šum, alebo prerušovanie prehrávania následkom straty dát počas ich zasielania z USB kľúča do zariadenia.
- b. Nemôžeme zaručiť, že zariadenie dokáže dekodovať a prehrať všetky súbory v Mp3 formáte.
- c. Zariadenie podporuje USB kľúče s maximálnou kapacitou 32 GB.
- d. V prípade niektorých USB kľúčov, niektorých modelov od niektorých výrobcov, spustenie automatického prehrávania môže trvať dlhšie; Pripomíname, že to nie je chyba/porucha.

## Používanie Bluetooth

Tento výrobok má funkciu Bluetooth, ktorá umožňuje bezdrôtovo prehrávať súbory z iného zariadenia pripojeného prostredníctvom Bluetooth (ako napr. chytrý telefón, tablet ap.).

1. Keď chcete aktivovať režim Bluetooth, niekoľkokrát stlačte tlačidlo zdroja, kým sa na displeji nezobrazí text „BLUE“, čo znamená, že zariadenie je pripravené na párovanie.
2. V externom zariadení aktivujte funkciu Bluetooth a vyhľadajte dostupné zariadenia (postupujte podľa pokynov uvedených v príručke daného zariadenia), a následne prejdite na zoznam dostupných zariadení Bluetooth. Vyberte zariadenie "BP PS05DB", text "BLUE" na displeji začne blikať (prebieha párovanie), prestane po úspešnom spárovaní.
3. Na externom zariadení, pripojenom prostredníctvom Bluetooth, spustíte prehrávanie, zvuk sa následne začne prehrávať na reproduktoroch zariadenia.
4. Keď chcete počas prehrávania vybrať predchádzajúci alebo nasledujúci súbor, stlačte tlačidlo predchádzajúce/nasledujúce.
5. V režime Bluetooth sú dostupné nasledujúce funkcie: prehrávanie/pauza, stlmenie, ekvalizér, nastavenie vysokých a nízkych tónov. Podrobnosti sú uvedené v bode „Všeobecná obsluha“ v tejto príručke.

**Poznámky:**

- a. Nedá sa zaručiť, že sa zariadenie bude dať spárovať so všetkými zariadeniami Bluetooth, vzhľadom na rôzne konštrukcie (štandardy) rôznych výrobcov.
- b. Dosah Bluetooth je cca 10 metrov (bez prekážok medzi zariadeniami)
- c. Zariadenie môže byť v jednej chvíli spárované iba s jedným zariadením Bluetooth.
- d. Keď počas prehrávania prostredníctvom Bluetooth prijmete prichádzajúci hovor; Prehrávanie sa na chvíľu zastaví a obnoví sa po skončení hovoru;
- e. Keď chcete zariadenie spárovať s iným zariadením, najprv zatvorte aktuálne pripojenie prostredníctvom Bluetooth stlačením tlačidla párovania na diaľkovom ovládači.

**Používanie AUX IN**

Keď chcete pripojiť a prehrávať skladby z iného prehrávača alebo zariadenia, postupujte podľa nasledujúcich pokynov:

Použite audio kábel, zasťrčte ho do zdievky AUX IN na hornom paneli zariadenia, a spojte ho s priamym výstupom alebo zdierkou slúchadiel prehrávača, ako napr. MP3 prehrávača, CD, DVD, mixážneho pultu ap. Následne na externom prehrávači vyberte súbor a spustite prehrávanie, zvuk zaznie na tomto zariadení.

V režime AUX-IN prehrávanie sa kontroluje predovšetkým vonkajším prehrávačom. Toto zariadenie umožňuje nastavovať (kontrolovať) hlasitosť, stlmenie zvuku, ako aj úroveň nízkych a vysokých tónov.

**Karaoke**

Zariadenie má dve mikrofónové vstupy, vďaka ktorými sa môžu spievať pesničky doma či na párty.

Káblový mikrofón pripojte do 6,5 mm zdievky (v tejto súprave je jeden káblový mikrofón), a následne mikrofón zapnite. Pomocou kolieska hlasitosti mikrofónu, ktoré je na hornom paneli, dôkladne nastavte výstupnú úroveň mikrofónu. Teraz môžete začať spievať.

**Tipy:**

- a. Ak mikrofón používate na karaoke, môžete pomocou príslušných gombíkov nastaviť vysoké tóny / nízke tóny / echo.
- b. Reproduktor môže vydávať hlasný alebo deformovaný zvuk, ak sú úroveň hlasitosti, nastavenie vysokých a nízkych tónov, alebo funkcia echa, nastavené na príliš vysokých úrovniach. Nie je to porucha. Zmenšite úroveň vyššie spomenutých nastavení a následne vypnite a zapnite mikrofón.
- c. Toto zariadenie má funkciu uprednostňovania mikrofónu. Ak na diaľkovom ovládači aktivujete túto funkciu, hlas karaoke bude prehraný na reproduktoroch a bude uprednostnený (bez hudobného pozadia); po skončení spievania sa prehrávanie spustí automaticky.
- d. Môžete súčasne používať funkciu karaoke a počúvať hudbu; V prípade, ak potrebujete zvýšiť hlasitosť karaoke a znížiť hlasitosť hudby na pozadí, môžete príslušnými ovládacími kolieskami osobitne nastaviť hlasitosť mikrofónu a úroveň reproduktora.
- e. Keď chcete mikrofón položiť vedľa reproduktora, bezpodmienečne ho najprv vypnite, v opačnom prípade môže vzniknúť značný hluk.

**Riešenie problémov**

1. Reproduktor sa nechce zapnúť.
  - a. Skontrolujte, či je zariadenie správne pripojené k el. napätiu.
2. Žiadny zvuk.
  - a. Skúste prekrútiť ovládacie koliesko hlasitosti, skontrolujte zdroj prehrávania.
  - b. Ak sa problém nevyrieši, kontaktujte autorizovaný servis.
3. Zvuk je deformovaný.
  - a. Skúste prispôbiť a prehrávajte pri nižšej úrovni hlasitosti.
  - b. Skontrolujte nastavenie vysokých a nízkych tónov.
4. Počas počúvania FM rádia počuť šum.
  - a. Skúste zariadenie postaviť na inom mieste, kde je lepší príjem rozhlasového signálu.
  - b. Opätovne spustite vyhľadávanie, alebo vyberte inú rozhlasovú stanicu.

**Špecifikácia**

Zdroj el. napätia: AC 110-240 V, 50/60 Hz.

Frekvencia FM: 87,5 – 108,0 MHz.

USB port: 5 V, 500mA, verzia 2.0, podporovaná kapacita USB kľúčov do 32 GB.

Bluetooth V2.1 + EDR, dosah do 10 m

Výstupný výkon RMS: 2 x 30 W.

Nastavenie nízkych a vysokých tónov: -9dB ~ + 9dB.

Mikrofón: vstup 2 x 6,5 mm, pripojenie káblového mikrofónu.

Príkion: 80 W

Odber prúdu v pohotovostnom režime: <0,5 W.

(Vyššie uvedená špecifikácia sa môže zmeniť bez predchádzajúceho upozornenia.)



Köszönjük, hogy megvásárolta termékünket. Kérjük, a készülék használata előtt figyelmesen olvassa el a jelen használati útmutatót. A használati útmutatót tegye el a készülék ismételt használatának érdekében.

## FONTOS BIZTONSÁGI UTASÍTÁSOK



### Vigyázat:

Az áramütés kockázatának csökkentése érdekében ne szerelje szét a terméket, és ne tegye ki a készüléket esőnek vagy nedvességnek. A termék nem tartalmaz szervizelhető alkatrészeket. A szervizelést csak szakképzett szerelő végezze.

### A grafikus szimbólumok magyarázata:



Az egyenlő szárú háromszögben lévő villám szimbólum a termék belsejében lévő, olyan nem szigetelt, veszélyes feszültségre hívja fel a figyelmet, amely elég nagy ahhoz, hogy áramütést okozzon egy személynek vagy személyeknek.



Az egyenlő szárú háromszögben lévő felkiáltójel a termékhez mellékelt irodalomban található fontos kezelési és karbantartási (szervizelési) utasításokra hívja fel a figyelmet.

A legjobb élmény és teljesítmény eléréséhez, valamint a termék funkcióinak megismeréséhez figyelmesen olvassa el a jelen kézikönyvet a termék üzembe helyezése előtt. Így készüléke éveken át a legjobb teljesítményt és zenei élményt nyújtja.

## Fontos megjegyzések

Őrizze meg a jelen biztonsági és használati utasításokat későbbi felhasználás céljából.

- a. Ne tegye ki a készüléket párának vagy fröccsenésnek és nedves környezetnek (pl. fürdőszoba).
- b. Ne helyezze a készüléket a következő helyekre:
  - a) Közvetlen napfénynek kitett vagy fűtőtestekhez közeli helyek.
  - b) Túl sok hőt sugárzó sztereóberendezések teteje.
  - c) Szellőzést akadályozó hely vagy poros terület.
  - d) Folyamatosan rezgő helyek.
  - e) Magas páratartalmú vagy nedves helyek.
- c. Ne helyezze gyertyákhoz vagy más nyílt lánghoz közel.
- d. Csak a használati útmutató szerint üzemeltesse a készüléket.
- e. A készülék első bekapcsolása előtt győződjön meg arról, hogy megfelelően csatlakoztatta a tápadaptert.

Biztonsági okokból ne távolítsa el a burkolatot, és ne kíséreljen meg hozzáférni a készülék belsejéhez. A szervizelést bízza szakképzett szerelőre.

Ne próbálja meg eltávolítani a csavarokat vagy kinyitni a készülék házát; nem található benne szervizelhető alkatrészek. Az összes szervizelést bízza szakképzett szerelőre.

## BIZTONSÁGI UTASÍTÁSOK

1. **Olvassa el az utasításokat** – A készülék üzembe helyezése előtt olvassa el az összes biztonsági és használati utasítást.
2. **Őrizze meg az utasításokat** – A biztonsági és használati utasításokat tartsa a készülékkel együtt későbbi felhasználás céljából.
3. **Figyelmeztetések** – A készüléken, valamint a használati utasításokban lévő összes figyelmeztetést be kell tartani.
4. **Tartsa be az utasításokat** – Tartsa be az összes használati utasítást.
5. **Üzembe helyezés** – A gyártó utasításai szerint helyezze üzembe a készüléket.
6. **Áramforrások** – A terméket csak olyan típusú áramforrásról szabad üzemeltetni, amely fel van tüntetve a tápkábel bemeneténél. Ha háztartásában nem található ilyen típusú áramforrás, forduljon a termékkereskedőhöz vagy a helyi energiaszolgáltatóhoz.
7. **Földelés és polarizáció** – A terméket nem szükséges földelni. A csatlakozó teljesen bele legyen dugva a hosszabbító kábel aljzatába, hogy a dugasz érintkezői ne látszódnak ki. A termék egyes változatai polarizált, váltakozó vezetékcsatlakozójú tápkábelrel szerelték (olyan csatlakozó, amelynek egyik pengéje szélesebb, mint a másik). Az ilyen típusú csatlakozók csak egyféleképpen illeszthetők az aljzatba. Ez egy biztonsági funkció. Ha nem tudja teljesen beilleszteni a csatlakozót az aljzatba, próbálja meg megfordítani csatlakozót. Ha a csatlakozót így sem sikerül beilleszteni, forduljon villanyszerelőhöz az elavult aljzat cseréjét illetően. Ne iktassa ki a polarizált csatlakozó biztonsági funkcióját. Ha tápkábel-hosszabbítót vagy egy nem a készülékhez mellékelt tápkábelt használ, ügyeljen arra, hogy a kábel megfelelő formájú csatlakozóval legyen felszerelve, és megfeleljen az adott országnak biztonsági előírásainak.
8. **Tápkábel-védelem** – A tápkábeleket úgy kell elvezetni, hogy azokra ne lépjenek rá, ne hurkolódjanak, ne csípjék be őket a rájuk helyezett tárgyak, illetve ne feszüljenek nekik. Fordítson különös figyelmet a kábelvégekre, dugaljakra és a termék csatlakozási pontjaira.
9. **Túlterhelés** – Ne terhelje túl a fali aljzatokat, a hosszabbító kábeleket és az elosztókat, mivel ezek tüzet vagy áramütést okozhatnak.
10. **Szellőzés** – A termék szellőzése legyen megfelelő. Ne helyezze a terméket ágyra, kanapéra vagy hasonló felületre. Ne takarja le a terméket olyan tárgyakkal, mint asztalterítő, újságpapír stb.
11. **Hő** – Ne helyezze a terméket hőforrások (pl. radiátorok, konvektorok, kályhák vagy egyéb berendezések, többek között erősítők) mellé. Ne helyezzen nyílt lángot (pl. meggyújtott gyertya) a készülékre.

- 12. Víz és nedvesség** – A tűzveszély és az áramütés elkerülése érdekében ne tegye ki a készüléket esőnek, fröccsenésnek vagy túlzott nedvességnek (pl. szauna vagy fürdőszoba). Ne használja a készüléket víz közelében, mint például fürdőkád, mosdókagyló, mosogató, mosókonyha, úszómedence közelében és nyirkos pincében.
- 13. Tárgyak és folyadékok** – Ne nyomjon be tárgyakat a készülék nyílásaiba, mivel azok hozzáérhetnek veszélyes feszültségpontokhoz vagy rövidzárlatot okozhatnak, és ez tűzhöz vagy áramütéshez vezethet. Ne öntsön semmiféle folyadékot a készülékre. Ne helyezze olyan tárgy tetejére, amely folyadékot tartalmaz.
- 14. Tisztítás** – Tisztítás előtt húzza ki a készüléket a fali aljzatból. A mélyhangsugárzóban lévő port száraz ruhával törölje ki. Ha aeroszolos tisztítóspray-t használ, ne permetezzen közvetlenül a bútorra, hanem a ruhára permetezzen. Ügyeljen arra, hogy ne sértse meg a meghajtóegységeket.
- 15. Tartozékok** – Ne használjon olyan tartozékokat, amelyeket a gyártó nem javasol, mivel ezek veszélyt okozhatnak.
- 16. Kiegészítők** – Ne helyezze a terméket instabil kocsira, állványra, háromlábú állványra, tartóra vagy asztalra, mivel a termék leeshet, és ez személyi (gyermek vagy felnőtt) sérülést vagy a termék súlyos károsodását okozhatja. Csak a gyártó által javasolt vagy a termékhez mellékelte kocsit, állványt, háromlábú állványt, tartót vagy asztalt használja. Csak a gyártó utasításai szerint szerelje fel a terméket, és csak a gyártó által javasolt konzolt használja.
- 17. A termék mozgatása** – A kocsira állított termék mozgatásakor nagyon óvatosan járjon el. A gyors megállás, túlzott erőfelfejtés vagy egyenetlen felület a kocsira állított termék felborulásához vezethet.
- 18. Használaton kívüli időszakok** – Húzza ki a készülék tápkábelét viharos időben, illetve ha a készüléket hosszabb ideig nem használja.
- 19. Szervizelés** – Ne próbálja meg szervizelni a készüléket, mivel a burkolatok kinyitása és eltávolítása során veszélyes feszültségnek vagy más veszélynek lehet kitéve. Az összes szervizelést bízza szakképzett szerelőre.
- 20.** Ha nem használja a készüléket, húzza ki a tápcsatlakozót a fő áramforrásból vagy fali áramforrásból. A készülék akkor is áram alatt van, ha a készülék áramforráshoz csatlakozik, és a rendszer készenléti üzemmódban van.
- 21. Cserealkatrészek** – Ha cserealkatrészekre van szükség, a szerelőnek a gyártó által előírt cserealkatrészeket vagy az eredeti alkatrészszel azonos műszaki tulajdonságokkal rendelkező cserealkatrészeket kell használnia. A nem engedélyezett cserealkatrészek tüzet, áramütést vagy más veszélyt okozhatnak.
- 22. Hálózati biztosítékok** – A tűzveszély folyamatos védelme érdekében csak a megfelelő típusú és teljesítményű biztosítékokat használja. Az egyes feszültségtartományoknak megfelelő biztosítékjellemzők fel vannak tüntetve a terméken.
- 23.** Ne növelje a hangerőt, ha nagyon alacsony szintű a bemeneti jel, vagy egyáltalán nincs audiojel. Ellenkező esetben a hangszóró károsodhat, ha hirtelen nagy hangerővel szólal meg a lejátszás.
- 24.** A termék tápellátása csak úgy szüntethető meg teljesen, ha kihúzza a tápkábelt a fali aljzatból vagy a termékből. A termék használata közben mindig legyen könnyen hozzáférhető a fali aljzat vagy a termék tápkábele.
- 25.** Próbálja a terméket a fali aljzathoz vagy a hosszabbító kábelhez közel, egy könnyen hozzáférhető helyen elhelyezni.
- 26.** A készülék legfeljebb 35 °C környezeti hőmérséklet esetén üzemeltethető.
- 27. Az ESD-vel (elektrosztatikus kisülés) kapcsolatos tippek** – A termék normális működését megzavarhatja az erős elektromágneses interferencia. Ha ilyen történik, a használati útmutató utasításait követve állítsa alaphelyzetbe a terméket a normális működés folytatásához. Abban az esetben, ha a termék továbbra sem működik, helyezze át a terméket egy másik helyre.
- 28. Akkumulátor**

- 1) Ne tegye ki az akkumulátorokat túlzott hőnek, mint például napsütés, tűz vagy hasonló.
- 2) Az akkumulátorokat az akkumulátorok ártalmatlanítására vonatkozó környezetvédelmi előírások figyelembe vételével kell ártalmatlanítani.
- 3) Akkumulátorhasználattal kapcsolatos FIGYELMEZTETÉS – a testi sérülést, anyagi kárt vagy a készülék károsodását okozó akkumulátorszívárgás megakadályozásához:
  - A készüléken lévő + és - jelöléseknek megfelelően, helyesen tegye be az összes akkumulátort.
  - Ne használjon egyszerre különböző elemeket (régie és új, illetve karbon és alkáli stb.).
  - Vegye ki az akkumulátorokat, ha a készüléket hosszabb ideig nem használja.



A Bluetooth® szó márkajelzés és logó a Bluetooth SIG, Inc. bejegyzett védjegyei, és ezen márkajelzéseket engedéllyel használjuk. Más védjegyek és márkanevek a vonatkozó tulajdonoshoz tartoznak.

### ERP2-re (energiával kapcsolatos termékek) vonatkozó megjegyzés

A termék megfelel a 2009/125/EK irányelv végrehajtásáról szóló 1275/2008 számú bizottsági rendelet 2. szakaszában található, az elektromos és elektronikus háztartási és irodai berendezések készenléti és kikapcsolt üzemmódban fellépő elektromosáram-fogyasztására vonatkozó környezetbarát tervezési követelményeknek. Ha 15 percig nem észlel bemenő audiojelet, a készülék automatikusan készenléti üzemmódba kapcsol. A használat folytatásához olvassa el a kezelői kézikönyvet.

### Fontos megjegyzések:

A készülék energiatakarékos üzemmódban működik: ha 15 percig nem kap jelet, a készülék automatikusan készenléti üzemmódba vált, hogy energiát takarítson meg (ERP 2 szabvány). Előfordulhat, hogy a rendszer az alacsony hangerejű audioforrást nem érzékeli audiojelként: ez hatással van a jelérzékelési képességére, és a készülék automatikusan készenléti üzemmódba válthat. Ebben az esetben a lejátszás folytatásához aktiválja újra az audiojel-átvitelt vagy növelje az audioforrás (MP3-lejátszó stb.) hangerő-beállítását. Ha a probléma továbbra is fennáll, forduljon a helyi szervizközponthoz.

### Figyelmeztetés

A berendezést a csökkent fizikai vagy mentális képességekkel rendelkező személyek (beleértve a gyerekeket is), vagy az olyan személyek, akik nem ismerik a berendezést, csak felügyelet mellett vagy a biztonságukért felelős személy által előírt utasítások szerint használhatják. Gyermek csak felügyelet mellett használhatja a készüléket. A készülék nem játékszer.

1. A halláskárosodás elkerülése érdekében ne hallgassa a készüléket magas hangerővel huzamosabb ideig, illetve ne növelje hirtelen a hangerőt.



2. Soha ne használja a készüléket felügyelet nélkül. Mindig kapcsolja ki a készüléket, ha nem használja, még akkor is, ha ez csak egy rövidebb időtartam.

3. A készülék nem működtethető külső időzítőről vagy külön távvezérlő-rendszerről.
4. Ha a tápkábel sérült, a veszély elkerülése érdekében cseréltesse ki a gyártóval, aszervizszolgálattal vagy hasonló szakképzett személlyel.
5. A készülék üzembe helyezése előtt ellenőrizze, hogy a rendszer feszültsége megegyezik-e a helyi hálózati áram feszültségével.
6. A terméket ne takarja le (pl. újságpapírral, asztalterítővel, függönnyel stb.) úgy, hogy blokkolja a szellőzőnyílásait. Győződjön meg arról, hogy a készülék felett legalább 20 cm, a készülék oldalánál pedig legalább 5 cm szabad hely van.
7. Ne tegye ki a készüléket párának vagy fröccsenésnek, és ne helyezze olyan tárgyakra, amelyek folyadékkal vannak töltve (pl. váza).
8. A tűz vagy áramütés megakadályozása érdekében ne tegye a készüléket forró helyre, és ne érje eső, nedvesség vagy por.
9. Ne tegye a készüléket vízforrás közelébe (pl. csapok, fürdőkádak, mosógépek vagy úszómedencék). A készülék száraz, stabil felületen legyen.
10. Ne tegye a készüléket erős mágneses mező közelébe.
11. Ne tegye a készüléket erősítőre vagy vevőkészülékre.
12. Ne tegye a készüléket nyirkos helyre, mivel a nedvesség kedvezőtlen hatással van az elektromos alkatrészek élettartamára.
13. Ha a készüléket közvetlenül hidegről megre viszi át, vagy nagyon nyirkos helyre teszi, a lencse belsején nedvesség képződhet. Ebben az esetben a rendszer nem működik megfelelően. Hagyja a rendszert bekapcsolva körülbelül egy óráig, amíg a nedvesség el nem párolog.
14. Ne próbálja meg vegyi oldószerekkel tisztítani a készüléket, mivel ezek károsíthatják a felületét. Tiszta, száraz vagy enyhén nedves ruhával törölje meg.
15. A tápcsatlakozó kihúzásakor mindig közvetlenül a csatlakozót húzza, soha ne a kábelt.
16. A hálózati csatlakozó megszakítóeszközként szolgál, így a megszakítóeszköznek mindig elérhetőnek kell lennie.

## MEGJEGYZÉS



Megfelelőség

A Blaupunkt Competence Center 2N-Everpol Sp. z o.o. kijelenti, hogy ez a készülék megfelel a 2014/53/EU irányelv alapvető követelményeink és más vonatkozó rendelkezéseinek. A megfelelési nyilatkozat a termék honlapjáról szerezhető be: [www.blaupunkt.com](http://www.blaupunkt.com).  
Felelős fél: 2N-Everpol Sp. z o.o, Puławska 403A, 02-801 Varsó, Lengyelország, telefon: +48 22 331 99 59, e-mail: [info@everpol.pl](mailto:info@everpol.pl)



A készülék kiváló minőségű, újrahasznosítható és újrafelhasználható anyagokból, illetve alkatrészekből készült.



Ha az áthúzott, kerekes szemetesláda szimbólum fel van tüntetve a készüléken, az azt jelenti, hogy a készülék megfelel a 2002/96/EK európai irányelvnek. Kérjük, tájékozódjon az elektromos és elektronikus készülékek helyi szelektív gyűjtésére vonatkozó előírásokról. Cselekedjen a helyi törvényeknek megfelelően, és a kiselejtezett készülékeket gyűjtse elkülönítve a lakossági hulladéktól. A feleslegessé vált készülék helyes kiselejtezésével segít megelőzni a környezetszennyezést és a különféle egészségkárosodásokat.



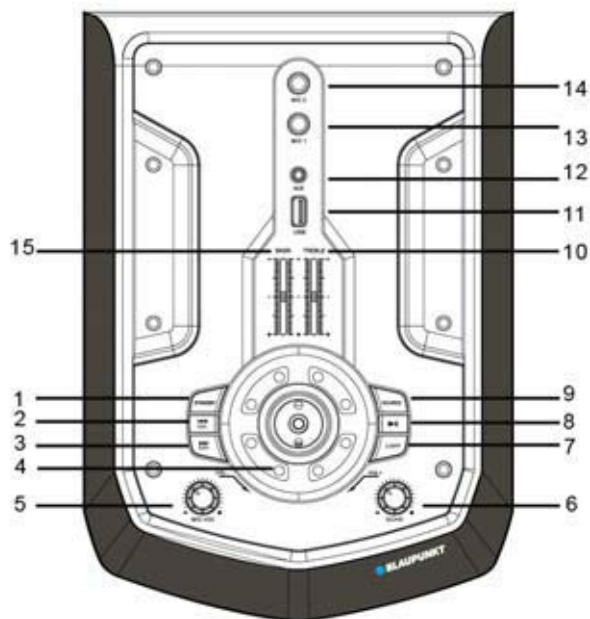
A termék akkumulátorai megfelelnek a 2013/56/EU európai irányelv követelményeinek, ezért ne kezelje őket háztartási hulladékként. Tájékozódjon a hulladékok szelektív gyűjtésének helyi rendszeréről, mivel a megfelelő hulladékkezelés hozzájárul a környezetszennyezéssel és a különféle egészségkárosodásokkal kapcsolatos következmények megelőzéséhez.

## Környezetvédelemmel kapcsolatos tudnivalók

A termék csomagolása nem tartalmaz felesleges csomagolóanyagot. Igyekeztünk úgy kialakítani a csomagolást, hogy könnyen szétválasztható legyen a következő három anyagra: karton (doboz), papírmassza (védőelem) és polietilén (zacskó, védő habfólia). A rendszerben található anyagokat erre specializálódott vállalat képes újrafeldolgozni és újrahasznosítani. Tartsa be a csomagolóanyagok, elhasznált akkumulátorok és régi berendezések ártalmatlanítására vonatkozó helyi szabályozásokat. Bizonyos anyagok felvételéhez és lejátszásához hozzájárulás szükséges. Lásd az 1956-os szerzői jogi, illetve az 1958–1972-es, a szellemi tulajdon védelmével foglalkozó törvényt.

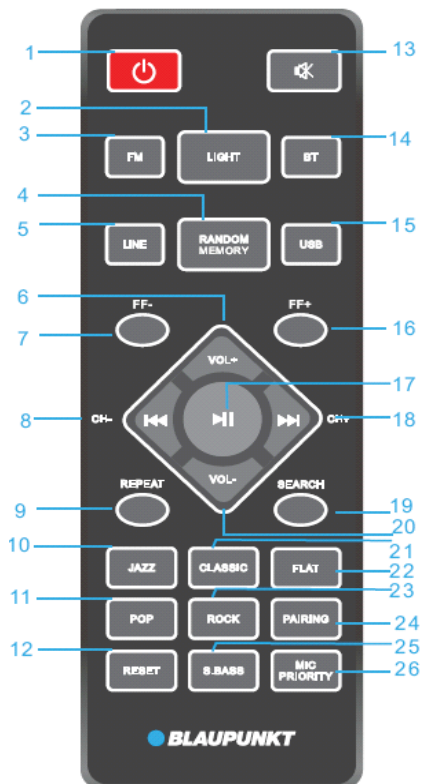
Köszönjük, hogy megvásárolta készülékünket. Használat előtt kérjük, figyelmesen olvassa el a jelen útmutatót. A használati útmutatót későbbi igénybevétel céljából őrizze meg.

### Vezérlőpanel



- 1 - Készenléti gomb (on/off);
- 2,3- Előző / Következő / csatorna - / csatorna +;
- 4- Hangerő-szabályozás;
- 5- Mikrofon hangerejének forgatógombja;
- 6- Mikrofon visszhangot beállító forgatógomb;
- 7- Diszkófény
- 8- Lejátszás / szünet;
- 9- Forrás;
- 10,15- magas és mély hangok szabályozása;
- 11- USB aljzat;
- 12- AUX IN csatlakozó;
- 13,14- Mikrofon bemenet 1 és 2;

## Távirányító

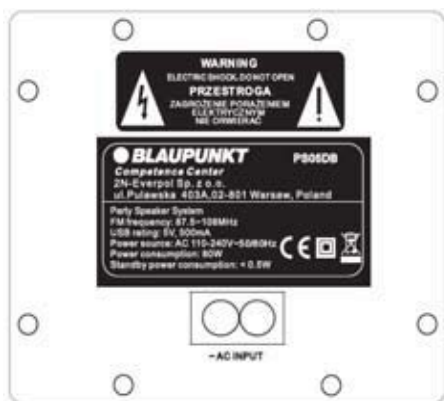


- 1- Bekapcsológomb;
- 2- Diszkófény bekapcsolása/kikapcsolása;
- 3,5,14,15- FM / LINE IN / Bluetooth / USB gomb;
- 4- Véletlenszerű lejátszás bekapcsolása/kikapcsolása /memória gomb;
- 6,20 Hangerő +/- ;
- 7,16- Gyors tekerés gombja FF - / +;
- 8,18- Előző és következő, csatorna - / + gomb;
- 9- Ismétlés gomb (egy zeneszám ismétlése / összes ismétlése / kikapcsolva);
- 10,11,21,22,23- EQ módok (jazz / pop / klasszikus / lapos / rock)
- 12- Reset gomb;
- 13- Némítás gomb;
- 17- Lejátszás / szünet;
- 19- Keresés gomb;
- 24;- Párosítás gomb
- 25 - Szuper Basszus gomb;
- 26 - Mikrofon prioritás gomb;

### Áramellátás

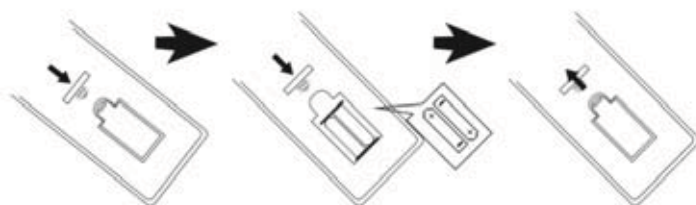
Kérjük, ellenőrizze, hogy a tápegység megfelel-e a névleges feszültségre vonatkozó követelményeknek, melyek a hátlapon található. Amennyiben nem egyezik meg, kérjük, forduljon a forgalmazóhoz vagy a szervizhez.

A tápkábel anya végét helyezze be a készüléken található aljzatba, majd a dugót helyezze a fali konnektorba az áramellátást biztosítása végett. Nyomja meg a felső panelen vagy a távirányítón található bekapcsológombot a kijelző bekapcsolásához, mely a megfelelő tápellátást igazolja vissza és lehetővé teszi a készülék további használatát.



Az elemek behelyezése a távirányítóba

Nyissa fel az elemtartó fedelét és helyezzen be két AAA elemet; Győződjön meg róla, hogy az elem elhelyezése megfelel-e az elemtartóban feltüntetett negatív és pozitív pólusoknak. Ezt követően zárja be az elemtartó fedelét.



Megjegyzések:

- A távirányító 5 méter távolsáig működik a legjobban, akadályok nélkül. Használat közben a távirányító érzékelőjét irányítsa a készülék felé.
- A távirányító érzékenysége az elem lemerülésével egyre gyengébb lesz. Az elhasznált elemeket ki kell cserélni.
- Ha a készülék hosszabb ideig nem lesz használva, vegye ki belőle az elemet.
- Az elemet környezettudatos módon hasznosítsa újra. Ehhez kérjük, olvassa el a helyi hatóságok követelményeit.

## Általános kezelés

1. Bekapcsolás / kikapcsolás: a készülék be- és kikapcsolásához nyomja meg a készenléti gombot a felső panelen, vagy a bekapcsológombot a távirányítón; A tápellátás kikapcsolásához húzza ki a dugót a konnektorból.
2. Lejátszás forrásának kiválasztása: Az FM / Bluetooth / Line-in / USB források közötti átkapcsoláshoz nyomja meg a forrás kiválasztása gombot a felső panelen, vagy a távirányítón az FM, BT, LINE, USB gombok egyikét.
3. Hangerősség szabályozás: A hangerő növeléséhez vagy csökkentéséhez forgassa el a hangerősség szabályozó gombot a felső panelen, vagy nyomja meg a VOL +/- gombot a távirányítón.
4. Magas és mély hangok szabályozása: A kimeneti hang szabályozásához tolja fel vagy le a mély/magas hangok beállító csúszkáját.
5. Hang némítás: A MUTE gomb megnyomása a távirányítón elnémítja a hangot; A gomb ismételt megnyomása helyreállítja az előzőleg beállított hangerőt.
6. Hangszínszabályzó beállításai: A távirányító megfelelő gombjának megnyomása lehetővé teszi a Jazz / Klasszikus / Flat / POP / ROCK / Super Bass közötti hangszínszabályozást.
7. Lejátszás / Szüneteltetés: nyomja meg a lejátszás / szünet gombot a zenelejátszás szüneteltetéséhez vagy folytatásához Bluetooth / USB módban.
8. Ismétlés és véletlenszerű lejátszás: a kívánt ismétlési mód bekapcsolásához nyomja meg az ismétlés gombot; Nyomja meg a véletlenszerű lejátszás gombot a véletlenszerű lejátszás bekapcsolásához/kikapcsolásához USB módban.
9. Világítás: A 8 féle világítás bekapcsolásához, vagy a világítás kikapcsolásához a világítás gombot nyomogassa.
10. Reset: a készülék gyári beállításainak visszaállításához a reset gombot nyomja meg a távirányítón.

## FM rádió kezelése

FM rádió hallgatása előtt helyezze a készüléket ablak közelébe az FM jel jobb vétele érdekében. A készülék egy beépített FM antennával rendelkezik.

1. Rádióállomások automatikus szkennelése és programozása (automatikus üzemmód): a felső panelen található lejátszás / szünet gomb, vagy a távirányítón található keresés gomb megnyomása elindítja az automatikus szkennelést és az elérhető rádióállomások elmentését. A szkennelés után a készülék automatikusan elkezd játszani az első elmentett rádióállomást. (Az elmentett rádióállomások maximális száma: 40)
2. Rádióállomások kiválasztása rádió üzemmódban az előző vagy következő beprogramozott rádióállomás lejátszásához nyomja meg a következő / előző gombot a felső panelen vagy a távirányítón,
3. Rádióállomások elmentése (kézi üzemmód): az automatikus szkenneléshez nyomja meg és néhány másodpercig tartsa lenyomva a következő / előző gombot, vagy a kedvenc rádióállomás behangolásához nyomja meg röviden az FF +/- gombot a távirányítón, majd a manuális programozás bekapcsolásához nyomja meg a memória gombot, ezt követően pedig nyomja meg a csatorna +/- gombot a távirányítón a rádióállomás sáv szélességének pontos kiválasztásához. Nyomja meg ismét a memória gombot a programozás jóváhagyása és befejezése érdekében.

### USB-lejátszás

A készülék rendelkezik egy USB-lejátszási funkcióval, mely képes zenét dekódolni és lejátszani hordozható USB-tárhelyről. A lejátszás megkezdése előtt másolja át az MP3 formátumú zenefájlt az USB-tárhelyre; Csatlakoztassa az USB-tárhelyet a készülékhez, mivel az USB lejátszási mód csak az USB-tárhely felismerése után válik elérhetővé. Ezután a készülék automatikusan érzékeli és lejátsza az MP3 zenefájlokat.

Zeneszám kiválasztása: röviden nyomja meg az előző / következő gombot az előző vagy a következő zeneszám lejátszásához; Nyomja meg és tartsa lenyomva a gyors tekerés gombot a gyors előretekeréshez, majd engedje fel a lejátszás folytatásához.

USB módban a következő funkciók érhetőek el: lejátszás / szünet, némítás, ismétlés, hangszínszabályzó, magas / mély hangok beállítása stb. A részletek a jelen utasítás „Általános kezelés” fejezetében találhatók meg.

### Megjegyzések:

- Nem ajánlott az USB-tárhely csatlakoztatása USB hosszabbítón keresztül, mivel ez negatív hatással lehet a lejátszás minőségére és zajt, vagy szaggatott lejátszást idézhet elő adatvesztés miatt a fájlátvitel során.
- Nem garantálható minden MP3 formátumú zeneszám dekódolása és lejátszása.
- A készülék maximum 32 GB méretű tárhelyet képes kezelni.
- Az egyes USB-tárhelyek automatikus lejátszása típustól és gyártótól függően több időt vehet igénybe; Szem előtt kell tartani, hogy ez nem jelent meghibásodást.

### Bluetooth üzemeltetése

A termék Bluetooth funkcióval rendelkezik, mely lehetővé teszi a vezeték nélküli zenelejátszást egy másik Bluetooth eszközről (pl. okostelefon, tablet stb.).

- Nyomja meg néhányszor a forrás gombot a Bluetooth üzemmód bekapcsolásához. A kijelzőn a „BLUE” felirat jelenik meg, mely azt jelzi, hogy a készülék készen áll a párosításra.
- Aktiválja a Bluetooth funkciót a külső eszközben és keressen rá az elérhető készülékekre (lásd a külső eszköz használati útmutatója), majd nézz meg a találati listát. Válassza ki a „BP PS05DB” pozíciót, a kijelzőn villogó „BLUE” felirat a sikeres párosítást követően abbahagyja a villogást.
- Válassza ki és játssza le a külső Bluetooth készüléken a kívánt zeneszámot. A hang a termék hangszórójából fog szólni.
- Nyomja meg a következő / előző gombot az előző vagy a következő zeneszám lejátszásához.
- Bluetooth módban a lejátszás / szünet, némítás, hangszínszabályozás, magas és a mély hangok beállítása funkciók érhetőek el. A részletek a jelen utasítás „Általános kezelés” fejezetében találhatók meg.

### Megjegyzések:

- Nem garantált a megfelelő csatlakozás mindegyik Bluetooth készülékkel a különböző tervezésre és márkára való tekintettel.
- A Bluetooth működési távolsága akadályok nélkül 10 méter.
- A készülék egyszerre egy Bluetooth készülékkel tud csatlakozni és zenét lejátszani.
- Bluetooth lejátszás közben bejövő hívás esetén; A zenelejátszás szüneteltetésre kerül és a beszélgetés befejezése után kerül folytatásra.
- A jelenlegi Bluetooth kapcsolat megszakításához és egy másik készülékkel való csatlakozáshoz a távirányítón a párosítást gombot nyomja meg.

**AUX IN mód**

Más lejátszóról vagy erősítőről történő lejátszás érdekében az alábbi utasításnak megfelelően kell eljárni:

Az audio kábel segítségével csatlakoztassa a lejátszó (pl. MP3 lejátszó, CD, DVD, keverő stb.) vezetékes kimenetét vagy hangszóró kimenetét a felső panelen található AUX IN aljzathoz. Ezt követően válassza ki és játssza le a zeneszámot a külső lejátszón, a hang a termék hangszóróiból fog szólni.

AUX-IN üzemmódban a lejátszás vezérlése a külső készüléken történik. Jelen eszközön a hangerő-szabályozás, a némítás és magas-mély hangok beállítása használható.

**Karaoke**

A készülék kettős mikrofon bemenettel rendelkezik, ami lehetővé teszi a ráéneklést mind otthon, mind különböző összejöveteleken.

Csatlakoztasson egy vezetékes mikrofont a 6,5 mm jack aljzatba (a modell egy vezetékes mikrofont tartalmaz), majd kapcsolja be a mikrofont. Pontosan állítsa be a mikrofon kimeneti szintjét a felső panelen található mikrofon hangerő-szabályozóval. Ezt követően el lehet kezdeni az énekést.

**Típek:**

- Ha a mikrofont Karaoke funkcióra használja a megfelelő forgatógombokkal be lehet állítani a magas hangokat/ mély hangokat/ visszhangot.
- Ha a magas-mély hang, vagy a visszhang túl magas szintre van beállítva, előfordulhat, hogy a hangszóróból kijövő hang zajos vagy torzított lesz. Ez nem jelent meghibásodást. Le kell csökkenteni a fenti beállításokat, majd ki és bekapcsolni a mikrofont.
- A készülék mikrofon prioritási funkcióval van ellátva. Ha ezt a funkciót választja ki a távirányítón, a karaoke hangja a hangszórókon keresztül fog szólni és prioritást fog élvezni (zenei alátét nélkül); az éneklés befejezése után a zene automatikusan elindul.
- A karaoke funkció zenelejátszással együtt is használható; Ha szeretné növelni a karaoke hangját és csökkenteni a zenei alátét hangját, a megfelelő forgatógombok segítségével külön-külön beállítható a mikrofon és a hangszóró hangereje.
- Ha a mikrofon a hangszóró mellé kerül, ki kell kapcsolni. Ellenkező esetben nagy zaj keletkezik.

**Problémák elhárítása**

- A hangszóró nem kapcsol be.
  - Ellenőrizze, hogy az áramellátás megfelelő-e.
- Nincs hang.
  - Próbálja meg módosítani a hangerőt és ellenőrizze a lejátszás forrását.
  - Ha a probléma továbbra is fennáll, vegye fel a kapcsolatot a szervizzel.
- Torzított hang.
  - Próbálja meg lejátszani a zeneszámot alacsonyabb hangerőn.
  - Ellenőrizze a magas / mély hangok beállítását.
- Zajok FM rádió hallgatása közben.
  - Helyezze át a készüléket a jobb vétel érdekében
  - Kapcsolja be ismét a szkenelést vagy válasszon ki egy másik rádióállomást.

**Műszaki adatok**

Tápellátás: AC 110-240V, 50/60 Hz.

FM sáv szélesség: 87,5-108,0 MHz.

USB csatlakozó: 5V, 500mA, 2.0 verzió, max. 32 GB kapacitású adattároló kezelése.

Bluetooth: V2.1 + EDR, működési távolság 10 m-ig

RMS kimeneti teljesítmény: 2 x 30 W.

Magas és mély hangok beállítása: -9dB ~ +9dB.

Mikrofon: 2 x 6,5 mm-es bemenet, vezetékes mikrofon csatlakoztatása.

Áramfelvétel: 80W;

Áramfelvétel készenléti állapotban: <0.5W.

(A fenti műszaki adatok előzetes értesítés nélkül megváltoztathatók).





## Competence Center

2N-Everpol Sp. z o.o.  
ul. Puławska 403A  
02-801 Warsaw, Poland  
phone: +48 22 331 99 59  
e-mail: [info@everpol.pl](mailto:info@everpol.pl)  
[www.blaupunkt.com](http://www.blaupunkt.com)

W przypadku pytań lub problemów  
prosimy o kontakt z naszym serwisem.

In case of questions or problems  
please contact our service.

Tel. 00 48 22 331 99 53

E-mail: [info@blaupunkt-audio.pl](mailto:info@blaupunkt-audio.pl)

Wszelkie prawa zastrzeżone. Wszystkie nazwy marek są zarejestrowanymi  
znakami towarowymi należącymi do odpowiednich podmiotów.

Dane i parametry techniczne mogą ulec zmianie bez wcześniejszego uprzedzenia.

All rights reserved. All brand names are registered trademarks of their  
respective owners. Specifications are subject to change without prior notice.

*Enjoy it.*