



Questo manuale d'istruzione è fornito da trovaprezzi.it. Scopri tutte le offerte per [Candy CHG7WLWEX](#) o cerca il tuo prodotto tra le [migliori offerte di Cucine e Piani cottura](#)



Questo manuale d'istruzione è fornito da trovaprezzi.it. Scopri tutte le offerte per [Candy CHG7WLWEX](#) o cerca il tuo prodotto tra le [migliori offerte di Cucine e Piani cottura](#)

CANDY

HOBS

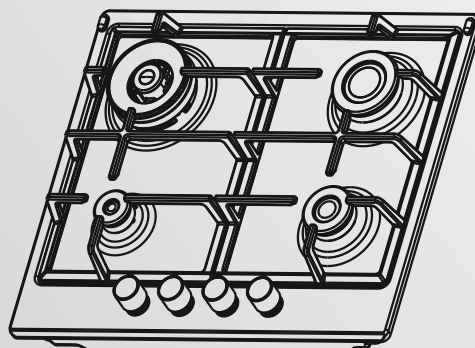
USER INSTRUCTIONS

GB 02

PIANI COTTURA

ISTRUZIONI PER L'USO

IT 06



SAFETY INSTRUCTIONS

We recommend you keep the instructions for installation and use for later reference, and before installing the hob, note its serial number in case you need to get help from the after sales service.

WARNING: the appliance and its accessible parts become hot during use. Care should be taken to avoid touching heating elements. Children under 8 years of age must be kept away from the appliance unless they are continuously supervised.

WARNING: use only hob guards designed by the Manufacturer of the cooking appliance or indicated by the Manufacturer of the appliance in the instructions for use as suitable or hob guards incorporated in the appliance. The use of inappropriate guards can cause accidents.

WARNING: unattended cooking on a hob with fat or oil can be dangerous and may result in fire. **NEVER** try to extinguish a fire with water, but switch off the appliance and then cover flame e.g. with a lid or a fire blanket.

WARNING: danger of fire: do not store items on the cooking surfaces.

WARNING: if the surface is cracked, do not touch the glass and switch off the appliance to avoid the possibility of electric shock.

This appliance can be used by children aged from 8 years and above and people with reduced physical, sensory or mental capabilities or lack of experience and knowledge if they have been given supervision or instruction concerning use of the appliance in a safe way and understand the hazards involved. Children should be supervised to ensure that they do not play with the appliance. Cleaning and user maintenance shall not be made by children without supervision.

CAUTION: the cooking process must be supervised. A short term cooking process has to be supervised continuously.

It is strongly recommended to keep children away from the cooking zones while they are in operation or when they are switched off, so long as the residual heat indicator is on, in order to prevent the risks of serious burns.

This appliance is not intended to be operated by means of an external timer or separate remote control system.

If present do not to stare into halogen lamp hob elements.

Connect a plug to the supply cable that is able to bear the voltage, current and load indicated on the tag and having the earth contact. The socket must be suitable for the load indicated on the tag and must be having the earth contact connected and in operation. The earth conductor is yellow-green in color. This operation should be carried out by a suitably qualified professional. In case of

incompatibility between the socket and the appliance plug, ask a qualified electrician to substitute the socket with another suitable type. The plug and the socket must be conformed to the current norms of the installation country. Connection to the power source can also be made by placing an omnipolar breaker between the appliance and the power source that can bear the maximum connected load and that is in line with current legislation.

The yellow-green earth cable should not be interrupted by the breaker. The socket or omnipolar breaker used for the connection should be easily accessible when the appliance is installed.

The disconnection may be achieved by having the plug accessible or by incorporating a switch in the fixed wiring in accordance with the wiring rules.

If the supply cord is damaged, it must be replaced by Manufacturer, its service agent or similarly qualified people in order to avoid a hazard. The earth conductor (yellow-green) must be longer than 10 mm on the terminal block side. The internal conductors section should be appropriate to the power absorbed by the hob (indicated on the tag). The type of power cable must be HO5V2V2-F.

Do not put metallic objects such as knives, forks, spoons or lids on the hob. They could heat up.

Aluminum foil and plastic pans must not be placed on heating zones.

After every use, some cleaning of the hob is necessary to prevent the build-up of dirt and grease. If left, this is recooked when the hob is used and burns giving off smoke and unpleasant smells, not to mention the risks of fire propagation.

Never use a steam or high pressure spray to clean the appliance.

Do not touch the heat zones during operation or for a while after use.

Never cook food directly on the glass ceramic hob.

Always use the appropriate cookware. Always place the pan in the center of the unit that you are cooking on.

Do not place anything on control panel.

Do not use the hob as a working surface.

Do not use the surface as a cutting board.

Do not store heavy items above the hob. If they drop onto the hob, they may cause damage.

Do not use the hob for storage of any items.

Do not slide cookware across the hob.

No additional operation/setting is required in order to operate the appliance at the rated frequencies

1. INSTRUCTIONS FOR THE INSTALLER

INSTALLING A DOMESTIC APPLIANCE CAN BE A COMPLICATED OPERATION WHICH IF NOT CARRIED OUT CORRECTLY, CAN SERIOUSLY AFFECT CONSUMER SAFETY. IT IS FOR THIS REASON THAT THE TASK SHOULD BE UNDERTAKEN BY A PROFESSIONALLY QUALIFIED PERSON WHO WILL CARRY IT OUT IN ACCORDANCE WITH THE TECHNICAL REGULATIONS IN FORCE. IN THE EVENT THAT THIS ADVICE IS IGNORED AND THE INSTALLATION IS CARRIED OUT BY AN UNQUALIFIED PERSON, THE MANUFACTURER DECLINES ALL RESPONSIBILITY FOR ANY TECHNICAL FAILURE OF THE PRODUCT WHETHER OR NOT IT RESULTS IN DAMAGE TO GOODS OR INJURY TO INDIVIDUALS.

1.1 BUILDING IN

The hob may be installed in any worktop which is heat resistant to a temperature of 100°C, and has a thickness of 25-45 mm. The dimensions of the insert to be cut out of the worktop are in shown in *Figure 2*.

When there is an accessible space between the built-in hob and the cavity below, a dividing wall made of insulating material should be inserted (wood or a similar material) (*Figure 3*).

If the Hob is fitted next to a cabinet on either side, the distance between the Hob and the cabinet must be at least 15 cm (*see Figure 4*); while the distance between the hob and the rear wall must be at least 70 mm. The distance between the hob and any other unit or appliance above it (e.g. An extractor hood) must be no less than 70 cm (*Figure 4*).

Metal objects in the drawer may reach high temperatures due to air recirculation. It is therefore recommended to use an intermediate wood panel.

Important - The diagram in figure 1 shows how the sealant should be applied.

The Hob unit is fitted by attaching the Fixing Clamps supplied, using the holes at the base of the unit.

If a hob of 60 cm is fitted above an oven it is recommended that openings are created within the built in furniture to ensure correct air circulation.

The size of these openings must be at least 300 cm² and placed as shown in *Figure 5*.

When a 60 cm hob or a 75 cm hob is fitted over a built in oven, the latter must be fan cooled.

1.2. SUITABLE LOCATION

This appliance must be installed in accordance with the regulations in force and only used in a well ventilated space. Read the instructions before installing or using this appliance.

A gas-powered cooking appliance produces heat and humidity in the area in which it is installed. For this reason you should ensure good ventilation either by keeping all natural air passages open or by installing an extractor hood with an exhaust flue. Intensive and prolonged use of the appliance may require extra ventilation, such as the opening of a window or an increase in speed of the electric fan, if you have one.

If a hood can not be installed, an electric fan should be fitted to an outside wall or window to ensure that there is adequate ventilation.

The electric fan should be able to carry out a complete change of air in the kitchen 3-5 times every hour. The installer should follow the relevant national standards.

2. ELECTRICAL CONNECTION (FOR U.K. ONLY)

Warning - this appliance must be earthed

This appliance is designed for domestic use only. Connection to the main supply must be made by a competent electrician, ensuring that all current regulations concerning such installations are observed.

The appliance must only be connected to a suitably rated spur point, a 3 pin 13 amp plug/socket is not suitable. A double pole switch must be provided and the circuit must have appropriate fuse protection. Further details of the power requirement of the individual product will be found in the users' instruction and on the appliance rating plate. In the case of built-in product you are advised, should you wish to use a longer cable than the one supplied, that a suitably rated heat resistant type must be used.

The wiring must be connected to the mains supply as follows:

CONNECT	TO SPUR TERMINAL
Green & Yellow Wire	Earth Connection
Blue Wire	Neutral Connection
Brown Wire	Live Connection

Note: We do not advocate the use of earth leakage devices with electric cooking appliances installed to spur points because of the «nuisance tripping» which may occur. You are again reminded that the appliance must be correctly earthed, the manufacturer declines any responsibility for any event occurring as a result of incorrect electrical installation.

2.1. ELECTRICAL CONNECTION

Check the data on the rating plate, located on the outside of the unit, to ensure that the supply and input voltage are suitable.

Before connection, check the earthing system.

By Law, this appliance must be earthed. If this regulation is not complied with, the Manufacturer will not be responsible for any damage caused to persons or property. If a plug is not already attached, fit a plug appropriate to the load indicated on the rating plate. The earth wire is coloured yellow/green. The plug should always be accessible.

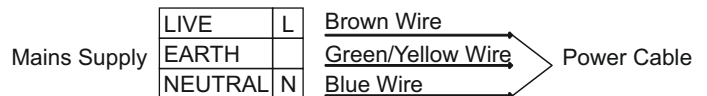
Where the Hob is connected direct to the electricity supply, a circuit breaker must be fitted.

If the power supply cord is damaged this is to be replaced by a qualified engineer so as to prevent any potential risk.

The earth wire (green and yellow coloured) must be at least 10 mm longer than the live and neutral wires.

The section of the cable used must be of the correct size in relation to the absorbed power of the hob.

Please check rating plate for the power details and ensure that the power supply cord is of the type 3x0.75 mm² H05 V2V2-F.



If an appliance is not fitted with a supply cord and a plug, or with other means for disconnection from the supply mains having a contact separation in all poles that provide full disconnection under overvoltage category III conditions, the instructions shall state that means for disconnection must be incorporated in the fixed wiring in accordance with the wiring rules.

2.2. GAS CONNECTION

These instructions are for qualified personnel, installation of equipment must be in line with the relevant national standard. (**For U.K. only: by law the gas installation/commissioning must be carried out by a "Gas Safe" installer**)

All work must be carried out with the electricity supply disconnected.

The rating plate on the hob shows the type of gas with which it is designed to be used. Connection to the mains gas supply or gas cylinder should be carried out after having checked that it is regulated for the type of gas with which it will be supplied. If it is not correctly regulated see the instructions in the following paragraphs to change gas setting.

For liquid gas (cylinder gas) use pressure regulators which comply with the relevant national standards.

Use only pipes, washers and sealing washers which comply with the relevant national standards.

For some models a conic link is furnished to outfit for the installation in the countries where this type of link is obligatory; in picture 8 it is pointed out how to recognize the different types of links (CY = cylindrical, CO = conic). In every case the cylindrical part of the link has to be connected to the hob.

When connecting the hob to the gas supply via use of flexible hoses please ensure that the maximum distance covered by the hose does not exceed 2 metres.

The flexible tube shall be fitted in such a way that it cannot come into contact with a moveable part of the housing unit (e.g. a drawer) and does not pass through any space where it may become crushed/ kinked or damaged in any way.

To prevent any potential damage to the hob please carry out the installation following this sequence (picture 6):

1)As illustrated, assemble parts in sequence:

A: 1/2 Male Adaptor Cylindrical

B: 1/2 Seal

C: 1/2 Female Gas Adaptor Conical-Cylindrical or Cylindrical-Cylindrical

2) Tighten the joints with the spanner, remembering to twist the pipes into position.

3) Attach fitting C to mains gas supply using rigid copper pipe or flexible steel pipe.

IMPORTANT: carry out a final check for leaks on the pipe connections using a soapy solution. NEVER USE A FLAME. Also, make sure that the flexible pipe cannot come into contact with a moving part of the cabinet (eg. adrawer) and that it is not situated where it could be damaged.

Warning: If gas can be smelt in the vicinity of this appliance turn off the gas supply to the appliance and call the engineer directly. Do not search for a leak with a naked flame.

2.3. ADAPTING THE HOB TO DIFFERENT TYPES OF GAS

To adapt the Hob for use with different types of gas, carry out the following instructions:

- Remove the grids and burners
- Insert on hexagonal spanner (7 mm) into the burner support (Figure 7)
- Unscrew the injector and replace it with one suitable for the gas to be used (see gas type table)

2.4. REGULATING THE MINIMUM FLAME

After lighting the burners, turn the control knob to the minimum setting and then remove the knob (this can easily be removed by applying gentle pressure).

Using a small «Terminal» type screwdriver the regulating screw can be adjusted as in Figure 9. Turning the screw clockwise reduces the gas flow, whilst turning it anticlockwise increases the flow – Use this adjustment to obtain a flame of approximately 3 to 4 mm in length and then replace the control knob.

When the gas supply available is LPG - the screw to set the idle flame must be turned (clockwise) to the end stop.

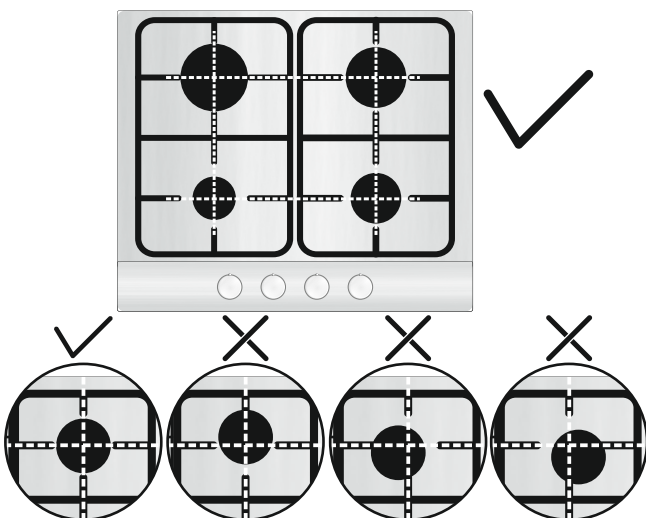
When you have carried out the new gas regulation, replace the old gas rating plate on your appliance with one (supplied with hob) suitable for the type of gas for which it has been regulated.

3. USE OF HOB - USER INSTRUCTIONS

This appliance must only be used for the purpose for which it is intended, domestic cooking, and any other use will be considered improper and could therefore be dangerous. The Manufacturer will not be responsible for any damage or loss resulting from improper use.

Before using burner, be sure, grid perimeters center the burner as below figure.

If you are using Cast Iron Grids; underneath the grid, position of it is stated. Be sure for the exact grid is used in correct position.



3.1. USING THE GAS BURNER

To ignite the burners, place a lighted taper close to the burner, press in and turn the control knob anti-clockwise.

If the burners have not been used for a couple of days, wait for a few seconds before lighting the burner, this will allow any air present in the pipes to escape.

For appliances fitted with electronic ignition carry out the following:

- Push in and turn the knob anticlockwise to the ignition symbol.
 - Ignite the burner by pressing the sparker button.
- For hobs fitted with automatic ignition simply push in and turn the knob to the ignition symbol.

The ignition system will continue to generate sparks as long as the control knob is being pressed.

If the burner has not ignited within 5 seconds, turn the knob to the 0 position and repeat the operation.

For models fitted with a safety tap (which cuts-off the flow of gas if the flame is accidentally extinguished) the burners are ignited and described above, but care must be taken.

Prior to switching on the gas hob ensure that the burners and burner caps are correctly placed within their position.

Warning: If there is no electricity on appliance, to ignite the burner a lighter should be used;

- Push in and turn the knob anti-clockwise to the ignition symbol,
- While pushing in the button ignite the burner by using a lighter and keep button pushed in 5 seconds after ignition.

GENERAL ADVICE

For best results, use cooking vessels with a flat surface. The size of the surface should match the gas burner side as follows. Table A.

Burner Type	Ø pan/pot (cm)	Power (kW)	G20/20 mbar (methane)	G30/28-30 mbar (LPG)
AUX Auxiliary	10 - 18	1,00	95 l/h	73 g/h
SR Semi Rapid	12 - 22	1,75	167 l/h	127 g/h
R Rapid	16 - 26	2,70	257 l/h	196 g/h
UR Ultrarapid	16 - 26	3,50	334 l/h	255 g/h
DC 4 kW MONO	16 - 26	4,00	381 l/h	291 g/h

Table A

For smaller containers the gas burner should be regulated so that the flame does not overlap the base of the pan. Vessels with a concave or convex base should not be used.

WARNING: If a flame is accidentally extinguished, turn the knob to the off position and do not attempt to re-ignite if for at least 1 minute.

If over the years the gas taps become stiff to turn it is necessary to lubricate them.

Such operation must be carried out only by qualified Service Engineers.

4. MAINTENANCE AND CLEANING

Before cleaning the hob, ensure the appliance has cooled down. Remove the plug from the socket or (if connected directly) switch off the electricity supply.

Cleaning and user maintenance shall not be made by children without supervision

Never use abrasives, corrosive detergents, bleaching agents or acids. Avoid any acid or alkaline substances (lemon, juice, vinegar etc.) on the enamelled, varnished or stainless steel sections.

When cleaning the enamelled, varnished or chrome sections, use warm soapy water or a non caustic detergent. For stainless steel use an appropriate cleaning solution.

The burners can be cleaned with soapy water. To restore their original shine, use a household stainless steel cleaner. After cleaning, dry the burners and replace.

It is important the Burners are replaced correctly.

Chromed grids and burners

Chromed grids and burners have a tendency to discolour with use. This does not jeopardize the functionality of the hob.

Our After Sales Service Centre can provide spare parts if required.

5. AFTERCARE

Before calling out a Service Engineer please check the following:

- that the plug is correctly inserted and fused;
- that the gas supply is not faulty.

If the fault cannot be detected:

Switch off the appliance and call the After Service Centre. **DO NOT TAMPER WITH THE APPLIANCE.**

6. PROTECTION OF THE ENVIRONMENT



This appliance is marked according to the European directive 2012/19/EU on Waste Electrical and Electronic Equipment (WEEE). WEEE contains both polluting substances (which can cause negative consequences for the environment) and basic components (which can be re-used). It is important to have WEEE subjected to specific treatments, in order to remove and dispose properly all pollutants, and


recover and recycle all materials.

Individuals can play an important role in ensuring that WEEE does not become an environmental issue; it is essential to follow some basic rules:

- WEEE shall not be treated as household waste.
- WEEE shall be handed over to the relevant collection points managed by the municipality or by registered companies. In many countries, for large WEEE, home collection could be present.
- When you buy a new appliance, the old one may be returned to the retailer who has to collect it free of charge on a one-to-one basis, as long as the equipment is of equivalent type and has the same functions as the supplied equipment.

Declaration of compliance: This equipment, in the parts intended to come into contact with food, complies with the regulations laid down in EEC directives 89/109.

The appliance complies with European Directive 2009/142/EC (GAD) and starting from 21/04/2018 with Gas Appliances Regulation 2016/426 (GAR).

By placing the  mark on this product, we are confirming compliance to all relevant European safety, health and environmental requirements which are applicable in legislation for this product.

The Manufacturer will not be responsible for any inaccuracy resulting from printing or transcript errors contained in this brochure. We reserve the right to carry out modifications to products as required, including the interests of consumption, without prejudice to the characteristics relating to safety or function.

Table 1

Burner Plate	4 Gas	4 Gas	5 Gas	5 Gas	5 Gas	3 Gas
Burner	Aux/SR/R/DC 4 Mono	Aux/2SR/R	UR/2R/SR/AUX	DC/2R/SR/AUX	DC/R/2SR/AUX	Aux/R/DC 4 Mono
Type	UH60MF	UH60MF	UH75MF	UH75MF	UH75MF	UH60MF
FFD	YES	YES	YES	YES	YES	YES
Aux 1kW	1	1	1	1	1	1
Sr 1,75 kW	1	2	1	1	2	-
R 2,7 kW	1	1	2	2	1	1
UR 3,5 kW	-	-	1	-	-	-
Dc 4 kW Mono	1	-	-	1	1	1
Nominal Heat Input	9,45 kW	7,2 kW	11,65 kW	12,15 kW	11,2 kW	7,7 kW
G20/20 mbar	900 l/h	686 l/h	1110 l/h	1158 l/h	1067 l/h	734 l/h
G30/28-30 mbar	688 g/h	524 g/h	848 g/h	884 g/h	815 g/h	560 g/h
Installation Class	3	3	3	3	3	3
Voltage V/Frequency Hz	220-240 V/ 50-60 Hz	220-240 V/ 50-60 Hz	220-240 V/ 50-60 Hz	220-240 V/ 50-60 Hz	220-240 V/ 50-60 Hz	220-240 V/ 50-60 Hz
Electrical Input Power	1	1	1	1	1	1
Electric Ignition	YES	YES	YES	YES	YES	YES
Product Dimension	595x510	595x510	745x510	745x510	745x510	595x510

This appliance has been designed for non-professional, i.e. domestic, use.

ISTRUZIONI DI SICUREZZA

Si consiglia di conservare le istruzioni di uso e montaggio per riferimento successivo e, prima di montare il piano di cottura, annotare il suo numero di serie per richiedere assistenza al Servizio post-vendita.

AVVERTENZA: l'elettrodomestico e le sue parti accessibili diventano calde durante l'uso. Prestare attenzione ad evitare qualsiasi contatto con le resistenze di riscaldamento. Mantenere lontani dall'elettrodomestico i bambini di età inferiore agli 8 anni, a meno che non siano continuamente supervisionati.

AVVERTENZA: utilizzare unicamente protezioni per piani di cottura progettate dal produttore della cucina o indicate dal produttore dell'elettrodomestico nelle istruzioni d'uso come adatte, o ancora protezioni incorporate nell'elettrodomestico. L'utilizzo di protezioni non adatte può provocare incidenti.

AVVERTENZA: la cottura senza sorveglianza su un piano di cottura in presenza di grasso o olio nella pentola può essere pericolosa, con rischio di incendi. **NON** cercare MAI di spegnere un incendio con acqua, bensì spegnere l'elettrodomestico e coprire la fiamma con un coperchio o una coperta antifuoco.

AVVERTENZA: pericolo di incendio: non appoggiare nulla sulle superfici di cottura.

AVVERTENZA: se la superficie è crepata, non toccare la vetroceramica e spegnere l'elettrodomestico per evitare la possibilità di elettrocuzioni.

L'elettrodomestico può essere utilizzato da bambini di età superiore a 8 anni e da persone con ridotte capacità fisiche, sensoriali o mentali, oppure prive di esperienza e conoscenza, se supervisionate o istruite riguardo all'uso dell'elettrodomestico in sicurezza, e se comprendono i rischi che derivano dall'uso dello stesso. I bambini dovrebbero essere supervisionati per assicurarsi che non giochino con l'elettrodomestico. La pulizia e la manutenzione da parte dell'utente non possono essere effettuate da bambini senza supervisione.

ATTENZIONE: il processo di cottura deve essere supervisionato. Un processo di cottura di breve termine deve essere supervisionato in continuo.

Si consiglia vivamente di tenere i bambini a distanza dalle zone di cottura quando queste sono in funzione o quando sono spente, per tutto il tempo durante il quale l'indicatore di calore residuo rimane attivo, per evitare il rischio di ustioni gravi.

Questo elettrodomestico non è concepito per funzionare con temporizzatori esterni o con sistemi di comando a distanza separati.

Se è presente, non guardare direttamente gli elementi riscaldati della lampada alogena.

Collegare al cavo di alimentazione una spina dimensionata per la tensione, la corrente e la potenza indicate nella targhetta e dotata del contatto di terra. La presa deve essere dimensionata per la potenza indicata sulla targhetta e deve avere il contatto di terra collegato e funzionante. Il conduttore di terra è giallo-verde. Questa operazione deve essere eseguita solo da

un tecnico adeguatamente addestrato. In caso di incompatibilità tra presa e spina dell'elettrodomestico, richiedere ad un tecnico specializzato di sostituire la presa con un'altra di tipo compatibile. La spina e la presa devono essere conformi alle normative attuali del paese di installazione.

Il collegamento alla rete di alimentazione può essere effettuato anche collocando un interruttore automatico onnipolare tra l'elettrodomestico e la rete di alimentazione, in grado di supportare il carico massimo collegato, in linea con la legislazione corrente.

Il cavo di terra giallo-verde non deve essere interrotto dall'interruttore automatico. La presa o l'interruttore automatico onnipolare utilizzati per il collegamento devono essere facilmente accessibili al momento del montaggio dell'elettrodomestico.

La disconnessione può essere eseguita con la spina accessibile o aggiungendo un interruttore sul cablaggio fisso, nel rispetto delle normative relative ai cablaggi.

Se il cavo di alimentazione dell'elettrodomestico dovesse essere danneggiato, farlo sostituire dal produttore, dal suo servizio tecnico o da tecnici qualificati, per evitare rischi. Il conduttore di terra (giallo-verde) deve essere più lungo di 10 mm sul lato della morsettiera. La sezione dei conduttori interni deve essere adatta alla potenza assorbita dal piano di cottura (come indicato sulla targhetta). Il cavo di alimentazione deve essere di tipo HO5V2V2-F.

Non appoggiare sul piano di cottura oggetti metallici come coltelli, forchette, cucchiai o coperchi. Potrebbero scaldarsi eccessivamente.

Non appoggiare sulle zone riscaldanti pellicole di alluminio e padelle in plastica.

Dopo ogni utilizzo è necessario pulire il piano di cottura per evitare l'accumulo di sporcizia e grasso. Se ci sono accumuli di questo tipo vengono cotti nuovamente quando il piano di cottura viene acceso, creando fumo e odori sgradevoli per non parlare del rischio di propagazione di incendi.

Non utilizzare mai un getto di vapore o ad alta pressione per la pulizia dell'elettrodomestico.

Non toccare le zone riscaldanti durante il funzionamento o per un breve periodo dopo l'uso.

Non cuocere mai gli alimenti direttamente sul piano di cottura in vetroceramica.

Utilizzare sempre i recipienti di cottura adatti.

Mettere sempre la pentola al centro del gruppo sul quale si sta effettuando la cottura. Non appoggiare nulla sul pannello di comando.

Mai utilizzare il piano di cottura come superficie di lavoro.

Mai utilizzare il piano di cottura come tagliere.

Non appoggiare oggetti pesanti al di sopra del piano di cottura. Se cadono sul piano possono danneggiarlo.

Non utilizzare il piano di cottura per riporvi oggetti.

Non fare scivolare i recipienti sul piano di cottura.

Il funzionamento dell'elettrodomestico alle frequenze nominali non richiede alcuna operazione o impostazione.

1. ISTRUZIONI PER L'INSTALLATORE

INSTALLARE UN ELETTRODOMESTICO PUÒ ESSERE UN'OPERAZIONE COMPLICATA CHE, SE NON ESEGUITA CORRETTAMENTE, PUÒ COMPROMETTERE SERIAMENTE LA SICUREZZA DELL'UTENTE. È PER QUESTA RAGIONE CHE L'OPERAZIONE DEV'ESSERE CONDOTTA DA PERSONALE PROFESSIONALMENTE QUALIFICATO CHE TENGA PRESENTE LE NORME VIGENTI. NEL CASO IN CUI QUESTO AVVISO VENGA IGNORATO E L'INSTALLAZIONE VENGA ESEGUITA DA PERSONALE NON QUALIFICATO, IL PRODUTTORE DECLINA OGNI RESPONSABILITÀ PER OGNI PROBLEMA TECNICO DEL PRODOTTO SIA IN CASO DI DANNI A COSE O PERSONE SIA IN ASSENZA DI ESSI.

1.1. INSTALLAZIONE

Il piano cottura può essere installato in qualsiasi top che sia resistente ad una temperatura di 100°C e abbia uno spessore di 25-45 mm. La dimensione del vano di inserimento del piano cottura è mostrata in *Figura 2*.

Qualora sotto il piano cottura vi sia un vano accessibile bisogna predisporre un parete di divisione in materiale isolante (legno o simili) (*Figura 3*).

Qualora il piano venga incassato in modo che sul suo lato sinistro o destro ci sia una parete, la distanza non dev'essere inferiore a 15 cm (*vedere Figura 4*); mentre la distanza tra la parete posteriore e il piano deve essere di almeno 70 mm.

La distanza tra il piano cottura e qualsiasi altro apparecchio sopra di esso (es. una cappa) non deve essere inferiore a 70 cm (*Figura 4*).

Oggetti metallici nel cassetto possono raggiungere temperature elevate a seguito del ricircolo dell'aria. Pertanto si consiglia di utilizzare una separazione intermedia in legno.

Importante - Il diagramma in figura 1 mostra come deve essere applicato il sigillante.

Il piano cottura è fissato grazie a morsetti di supporto agganciati alla base.

Se sopra un forno è montato un piano cottura di 60 cm, si consiglia di creare delle aperture all'interno dei mobili per garantire la corretta circolazione dell'aria.

La dimensione di queste aperture deve essere di almeno 300 cm² e posizionate come in *Figura 5*.

Quando un piano cottura da 60 cm o 75 cm viene posizionato sopra un forno, la parte posteriore deve essere raffreddata ad aria.

1.2. LOCAZIONI CONSIGLIATE

Questo apparecchio può essere installato in accordo con il regolamento vigente e solo in un ambiente ben ventilato. Leggere le istruzioni prima dell'installazione o l'uso dell'apparecchio.

Un piano gas produce umidità e calore nell'area in cui è installato. Per questa ragione bisogna garantire una buona ventilazione sia tramite passaggio di aria naturale sia grazie all'installazione di una cappa d'aspirazione. Un uso intensivo e prolungato dell'apparecchio richiede una ventilazione maggiore, come l'apertura di una finestra o aumentando la velocità di ventole di raffreddamento, se possibile. Se non vi è la possibilità di installare una cappa, un aspiratore può essere installato su una parete esterna o su una finestra affinché ci siano delle correnti d'aria nell'area.

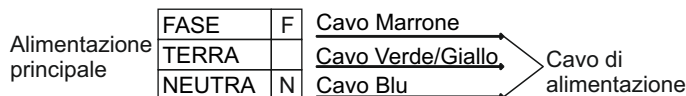
Una ventola elettrica è in grado di assicurare un cambio d'aria completo nella cucina 3-5 volte ogni ora. L'installatore dovrà seguire gli standard nazionali pertinenti.

2.1. CONNESSIONE ELETTRICA

Controllare i dati sulla placca segnaletica, situata sotto l'unità, per assicurarsi che il collegamento elettrico sia corretto. Prima della connessione, controllare l'impianto di messa a terra. Per legge, quest'apparecchio deve avere la messa a terra. Se questa operazione non viene eseguita, il produttore non sarà responsabile di eventuali danni occorsi a persone o proprietà. Se non è già applicata una spina, applicarne una appropriata come indicato sulla placca segnaletica. Il cavo di messa a terra è di color verde/giallo. La spina deve essere posizionata in modo tale che sia sempre accessibile. Qualora il piano cottura sia connesso direttamente all'alimentazione principale, bisognerà predisporre anche un salvavita. Se il cavo di alimentazione è danneggiato dovrà essere sostituito da personale qualificato in modo da prevenire qualsiasi potenziale rischio.

Il cavo di messa a terra (di color verde/giallo) deve essere più lungo di almeno 10 mm rispetto ai cavi neutro e fase. La sezione del cavo usato deve essere delle giuste dimensioni in base all'assorbimento dell'apparecchio.

Si prega di controllare la placca segnaletica per i dettagli riguardanti la potenza dell'apparecchio e assicurare che il cavo di connessione sia dei tipi 3x0.75 mm² H05 V2V2-F.



Il mezzo di disconnessione deve essere incorporato nel cablaggio fisso in accordo con le leggi di cablaggio.

Per il collegamento diretto alla rete, è necessario prevedere un dispositivo che assicuri la disconnessione dalla rete, con una distanza di apertura dei contatti che consenta la disconnessione completa nelle condizioni della categoria di sovratensione III, conformemente alle regole di installazione.

2.2. CONNESSIONE GAS

Queste istruzioni sono per personale qualificato, l'installazione dell'apparecchio deve seguire le direttive standard nazionali. **(Solo per U.K.: per legge l'installazione deve essere commissionata ad un operatore "Corgi")**

Qualsiasi operazione deve essere svolta staccando la corrente elettrica.

La placca segnaletica sotto il piano cottura mostra il tipo di gas con cui bisogna allacciare l'apparecchio. La connessione all'alimentazione gas principale deve essere apportata dopo aver controllato che sia regolata in base al tipo di gas previsto dall'apparecchio. Se non è regolata correttamente guardare le istruzioni nei paragrafi seguenti per cambiare le impostazioni gas.

Per il gas liquido GPL usare dei regolatori di pressione che siano conformi con gli standard nazionali.

Usare solo tubazioni, guarnizioni e sigillanti che siano conformi con gli standard nazionali.

Per alcuni modelli viene fornito in dotazione un raccordo conico, come attrezzatura per l'installazione, nei paesi dove è obbligatorio per legge; in *Figura 8* viene mostrato come riconoscere i diversi tipi di raccordi (CY=cilindrico, CO=conico). In qualsiasi caso la parte cilindrica del raccordo sarà connessa al piano cottura.

Quando la connessione del piano all'alimentazione gas verrà effettuata utilizzando manicotti flessibili assicurarsi che la distanza massima coperta dal tubo non superi i 2 metri.

Il tubo flessibile deve essere sistemato in modo tale che non possa entrare in contatto con parti mobile dell'unità abitativa (ad esempio un cassetto) e non passi attraverso alcuno spazio che sia suscettibile a congestionamento.

Per prevenire qualsiasi danno al piano seguire l'installazione seguendo questa sequenza (*Figura 6*):

1) Come illustrato, assemblare le parti in sequenza:

A: 1/2 Adattatore cilindrico maschio

B: ½ Sigillante

C: 1/2 Adattatore gas femmina conico-cilindrico o cilindrico-cilindrico

2) Stringere le giunture con la chiave inglese, ricordando di mettere le tubature in posizione.

3) Attaccare l'elemento C all'alimentazione gas usando tubi di rame o manicotti flessibili in acciaio.

IMPORTANTE: eseguire un ultimo controllo con una soluzione a base di sapone per controllare che le tubature non perdano. Non usare mai una fiamma. Inoltre assicurarsi che il manicotto flessibile non venga a contatto con una parte mobile della cucina (es. cassetto) e che non sia situato dove possa essere danneggiato.

Attenzione: se si avverte odore di gas in vicinanza dell'apparecchio spegnere l'alimentazione e chiamare il tecnico. Non cercare un'eventuale perdita con una fiamma.

2.3. ADATTARE IL PIANO COTTURA CON DIVERSI TIPI DI GAS

Per adattare il piano cottura all'uso di diversi tipi di gas, seguire le seguenti istruzioni:

- rimuovere le griglie e i bruciatori
- inserire una chiave esagonale a tubo (7 mm) dentro il supporto bruciatore (Figura 7)
- svitare l'iniettore e sostituirlo con uno compatibile con il tipo di gas che verrà utilizzato (vedere la tabella tipi di gas).

2.4. REGOLARE IL MINIMO DELLA FIAMMA

Dopo aver acceso i bruciatori, girare la manopola del gas sul minimo quindi rimuovere la manopola (può essere rimossa con una leggera pressione).

L'apparecchio può essere usato da bambini dagli 8 anni in su e persone con ridotte capacità fisiche, sensoriali o mentali o senza esperienza e conoscenza del prodotto se supervisionate o dando loro istruzioni riguardo al funzionamento dell'apparecchio in maniera sicura e cosciente del rischio possibile.

Usare una piccola estermità come un cacciavite per regolare la vite come mostrato in Figura 9. Girando la vite in senso orario si riduce il flusso di gas, viceversa in senso antiorario si aumenta il flusso - Usate questi aggiustamenti per ottenere una fiamma approssimativamente di 3/4 mm di lunghezza dopodiché riposizionare la manopola. Nel caso in cui l'alimentazione sia di tipo GPL - la vite per regolare la fiamma ideale deve essere ruotata (in senso orario) verso fine corsa.

Una volta che si è impostata la nuova regolazione, sostituire la vecchia placca segnaletica sull'apparecchio con una adatta al tipo di alimentazione gas che è stata installata.

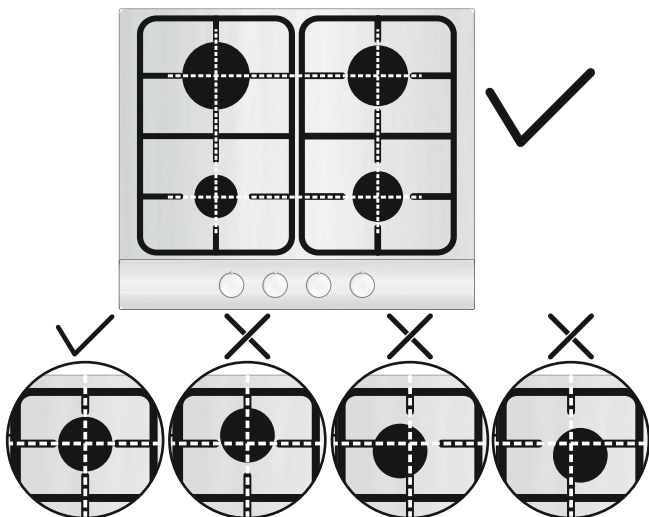
3. USO DEL PIANO - ISTRUZIONI UTENTE

Quest'apparecchio deve essere utilizzato solo per gli scopi con cui è stato pensato, qualsiasi altro utilizzo può essere considerato improprio e quindi pericoloso. Il produttore non è responsabile per qualsiasi danno o perdita dovuti ad un uso inappropriato.

Questo apparecchio non è pensato per essere usato da persone (inclusi bambini) con handicap fisici, sensoriali o capacità mentali limitate, con mancanza di esperienza e conoscenza, a meno che non siano supervisionati o istruiti all'uso dell'apparecchio da una persona responsabile della loro incolumità.

I bambini devono essere supervisionati per assicurare che non giochino con l'apparecchio.

Prima di utilizzare il fornello, assicurarsi che i perimetri della griglia siano posizionati al centro del fornello come nella figura sottostante. Se state utilizzando Griglie in Ghisa; la posizione della griglia è segnata al di sotto di essa. Assicurarsi che la griglia esatta sia posizionata correttamente.



3.1. USO DEL BRUCIATORE GAS

Per l'accensione basta premere e girare la manopola sul simbolo di accensione.

Il sistema di accensione partirà generando scintille. Quando la fiamma si è accesa, tenere premuta la manopola per 5/6 secondi dopodiché regolare la potenza.

Se non c'è corrente elettrica, accendere la fiamma con un fiammifero. Se il bruciatore non si accende entro 3 secondi girare la manopola sulla posizione 0, attendere un minuto e ripetere l'operazione.

ATTENZIONE:

Prima di accendere il gas assicurarsi che i bruciatori e i rispettivi coperchi siano al loro posto.

Avvertenza: se non c'è elettricità sull'apparecchio, per accendere il bruciatore dovrebbe essere usato un accendino;

- Premere e ruotare la manopola in senso antiorario fino al simbolo di accensione,

- Premendo il pulsante, accendere il bruciatore usando un accendino e tenere premuto il pulsante entro 5 secondi dopo l'accensione.

AVVISI GENERICI:

Per risultati migliori, la dimensione delle pentole deve seguire la dimensione del bruciatore come mostrato qui a seguito. Tabella A.

Tipo di bruciatore	Ø / (cm)	Potenza (kW)	G20/20 mbar (Metano)	G30/28-30 mbar (LPG)
AUX Ausiliario	10 - 18	1,00	95 l/h	73 g/h
SR Semi rapido	12 - 22	1,75	167 l/h	127 g/h
R Rapido	16 - 26	2,70	257 l/h	196 g/h
UR Ultra Rapido	16 - 26	3,50	334 l/h	255 g/h
DC 4 kW MONO	16 - 26	4,00	381 l/h	291 g/h

Tabella A

Per contenitori più piccoli il bruciatore gas può essere regolato in modo che la fiamma non superi la pasc della pentola. Recipienti con una base concava o convessa non possono essere usati.

ATTENZIONE: se un bruciatore si spegne accidentalmente, riportare la manopola sulla posizione spenta e non tentare di riaccenderlo prima che sia passato 1 minuto.

Se col passare del tempo il rubinetto del gas si indurisce è necessario lubrificarlo.

Questo tipo di operazione deve essere eseguita da personale qualificato.

4. MANUTENZIONE E PULIZIA

Prima di pulire il piano cottura, assicurarsi che l'apparecchio si sia raffreddato.

La pulizia e la manutenzione non dovrebbero essere fatte da bambini senza supervisione.

Rimuovere la spina dalla presa corrente o (se connessa direttamente all'alimentazione generale) togliere la corrente dall'impianto generale.

Non usare sostanze abrasive, detergenti corrosivi, agenti sbiancanti o acidi. Evitare ogni tipo di acido o sostanza alcalina (limone, aceto, etc.) per pulire le parti smaltate, laccate o in acciaio inox.

Quando bisogna pulire le parti smaltate, laccate o cromate, usare acqua calda con sapone o un detergente non corrosivo. Per l'acciaio antimacchia usare una soluzione appropriata.

I bruciatori possono essere puliti con acqua e sapone. Per ripristinare la loro brillantezza originale, usare un comune prodotto di pulizia per superfici in acciaio. Dopo averli puliti, asciugarli e ricollocarli al loro posto.

È importante che i bruciatori vengano riposizionati correttamente.

Griglie cromate e bruciatori

Le griglie cromate e i bruciatori tendono a diventare scuri con l'uso. Questo è un fenomeno normale ed inevitabile, che tuttavia non compromette assolutamente il buon funzionamento del piano cottura. In ogni caso sono disponibili, presso i centri servizio post vendita, i pezzi di ricambio.

5. RIPRISTINO

Prima di contattare un tecnico del Centro Assistenza si prega di controllare:

- Che la spina sia ben inserita e collegata;
- Che l'alimentazione gas non sia difettosa.

Se il malfunzionamento non è identificabile: spegnere l'apparecchio - non manometterlo - e chiamare il Centro Assistenza.

6. RISPETTO DELL'AMBIENTE



Questo apparecchio è contrassegnato in conformità alla Direttiva europea 2012/19/EU sulle apparecchiature elettriche ed elettroniche (WEEE). I WEEE contengono sia le sostanze inquinanti (che possono provocare conseguenze negative sull'ambiente) che componenti di base (che possono essere riutilizzati). È importante che i WEEE siano soggetti a trattamenti specifici, per rimuovere e smaltire correttamente tutti gli inquinanti e recuperare e riciclare tutti i materiali.

I singoli possono giocare un ruolo importante nell'assicurare che i WEEE non diventino un problema ambientale; è essenziale seguire alcune regole di base:

- I WEEE non devono essere trattati come rifiuti domestici.
- I WEEE devono essere portati ai punti di raccolta appositi gestiti dal comune o da società registrate. In molti Paesi, per i WEEE grandi, potrebbe essere presente la raccolta domestica.
- Quando si acquista un nuovo apparecchio, quello vecchio potrebbe essere restituito al rivenditore che deve acquisirlo gratuitamente su base singola, sempre che l'apparecchio sia del tipo equivalente e abbia le stesse funzioni di quello acquistato.

Dichiarazione di conformità: questo apparecchio, nelle parti progettate per venire a contatto con cibi, è conforme con le regolamentazioni espresse nelle direttive EEC 89/109.

L'elettrodomestico è conforme alla Direttiva Europea 2009/142/CE (GAD) e a partire dal 21/04/2018 con il regolamento GAR (Gas Appliances Regulation) 2016/426.

Apponendo la marcatura **CE** su questo prodotto, dichiariamo, sotto la nostra responsabilità, di ottemperare a tutti i requisiti relativi alla tutela di sicurezza, salute e ambiente previsti dalla legislazione europea in essere per questo prodotto.

// produttore non si rende responsabile per alcuna imprecisione dovuta a errori di stampa o trascrizione contenuti nel libretto. Ci riserviamo il diritto di apportare modifiche al prodotto qualora sia necessario, inclusi i consumi, senza compromettere le caratteristiche inerenti la sicurezza del funzionamento.

7. GARANZIE

Il prodotto è garantito, oltre che ai sensi di legge, alle condizioni e nei termini riportati sul certificato di garanzia convenzionale inserito nel prodotto. Il certificato dovrà essere conservato e mostrato al nostro Centro di Assistenza Tecnica Autorizzato, in caso di necessità, insieme allo scontrino comprovante l'acquisto dell'elettrodomestico. Puoi consultare le condizioni di garanzia anche sul nostro sito internet.

Per ottenere assistenza compila l'apposito form on-line oppure contattaci al numero che trovi indicato nella pagina di assistenza del nostro sito internet.

Tabella 1

Piastra del bruciatore	4 Gas	4 Gas	5 Gas	5 Gas	5 Gas	3 Gas
Bruciatore	Aux/SR/R/DC 4 Mono	Aux/2SR/R	UR/2R/SR/AUX	DC/2R/SR/AUX	DC/R/2SR/AUX	Aux/R/DC 4 Mono
Genere	UH60MF	UH60MF	UH75MF	UH75MF	UH75MF	UH60MF
FFD	Si	Si	Si	Si	Si	Si
Aux 1kW	1	1	1	1	1	1
Sr 1,75 kW	1	2	1	1	2	-
R 2,7 kW	1	1	2	2	1	1
UR 3,5 kW	-	-	1	-	-	-
Dc 4 kW Mono	1	-	-	1	1	1
Ingresso nominale di calore	9,45 kW	7,2 kW	11,65 kW	12,15 kW	11,2 kW	7,7 kW
G20/20 mbar	900 l/h	686 l/h	1110 l/h	1158 l/h	1067 l/h	734 l/h
G30/28-30 mbar	688 g/h	524 g/h	848 g/h	884 g/h	815 g/h	560 g/h
Classe di installazione	3	3	3	3	3	3
Voltaggio / Frequenza (V / Hz)	220-240 V/ 50-60 Hz	220-240 V/ 50-60 Hz	220-240 V/ 50-60 Hz	220-240 V/ 50-60 Hz	220-240 V/ 50-60 Hz	220-240 V/ 50-60 Hz
Potenza elettrica in ingresso	1	1	1	1	1	1
Iniezione elettrica	Si	Si	Si	Si	Si	Si
Dimensione prodotto (mm)	595x510	595x510	745x510	745x510	745x510	595x510

Questo apparecchio è stato progettato per uso domestico e non professionale.

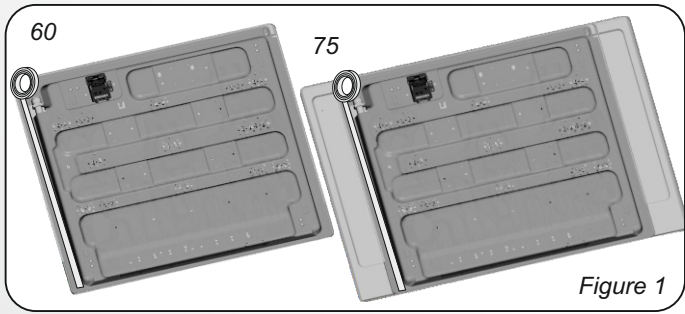


Figure 1

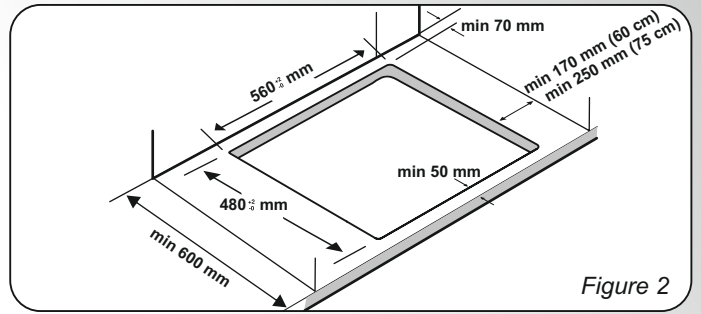


Figure 2

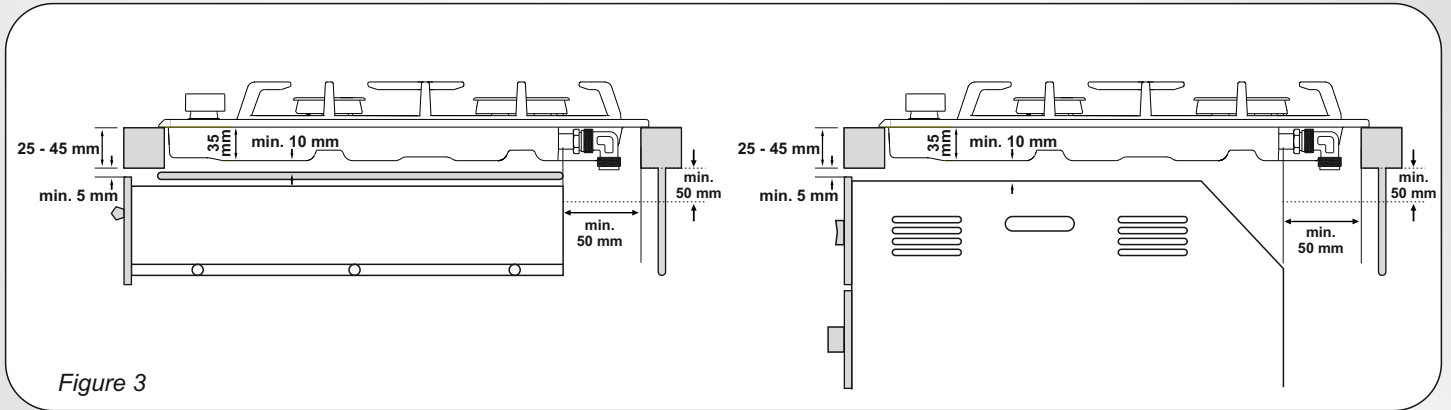


Figure 3

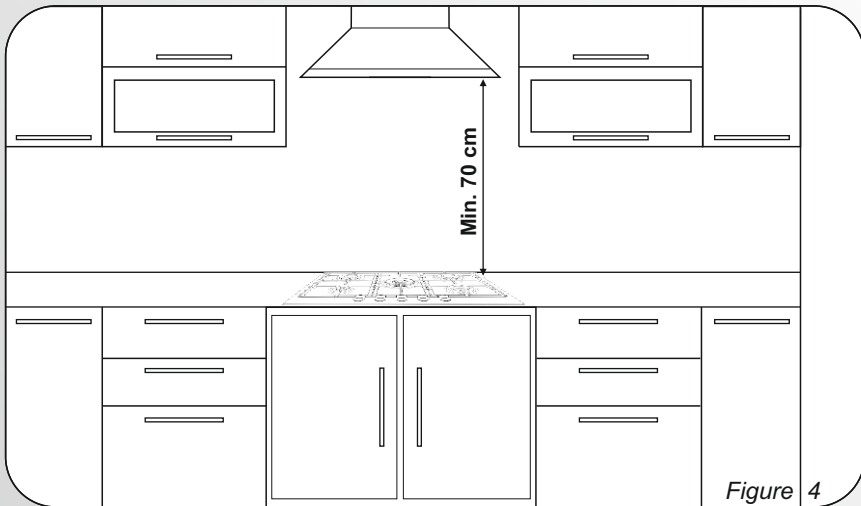


Figure 4

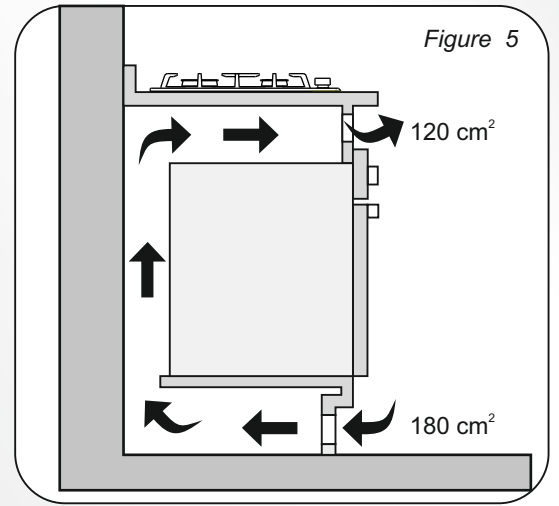


Figure 5

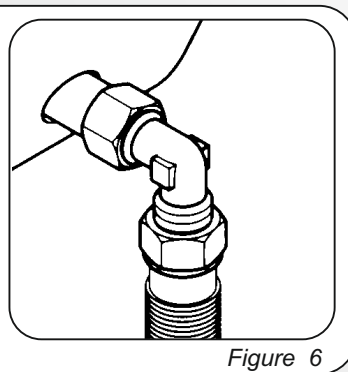
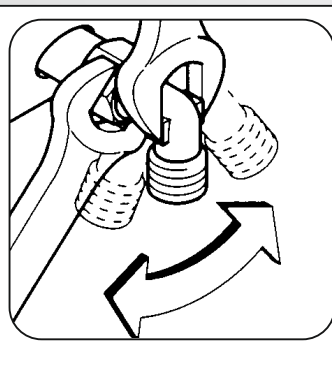
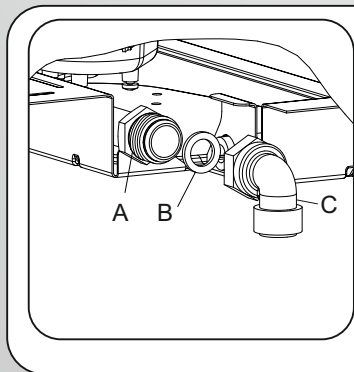


Figure 6

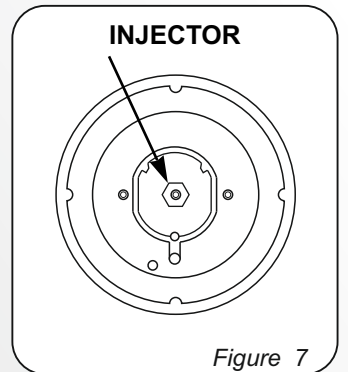


Figure 7

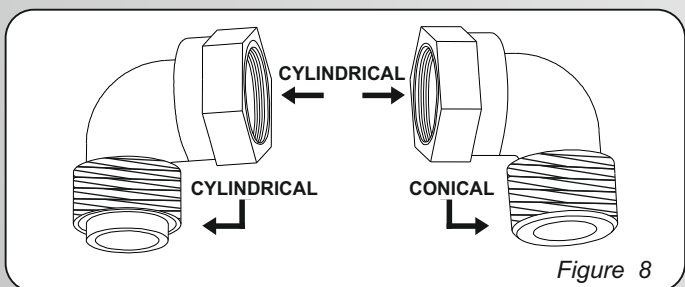


Figure 8

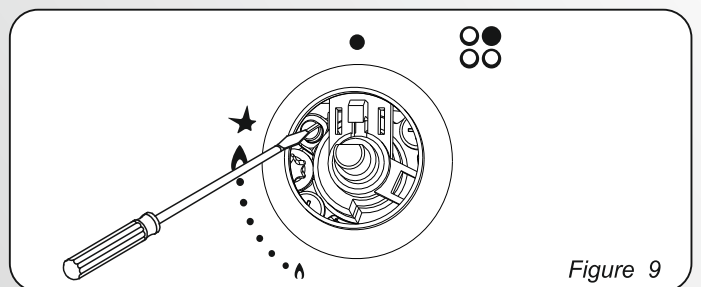
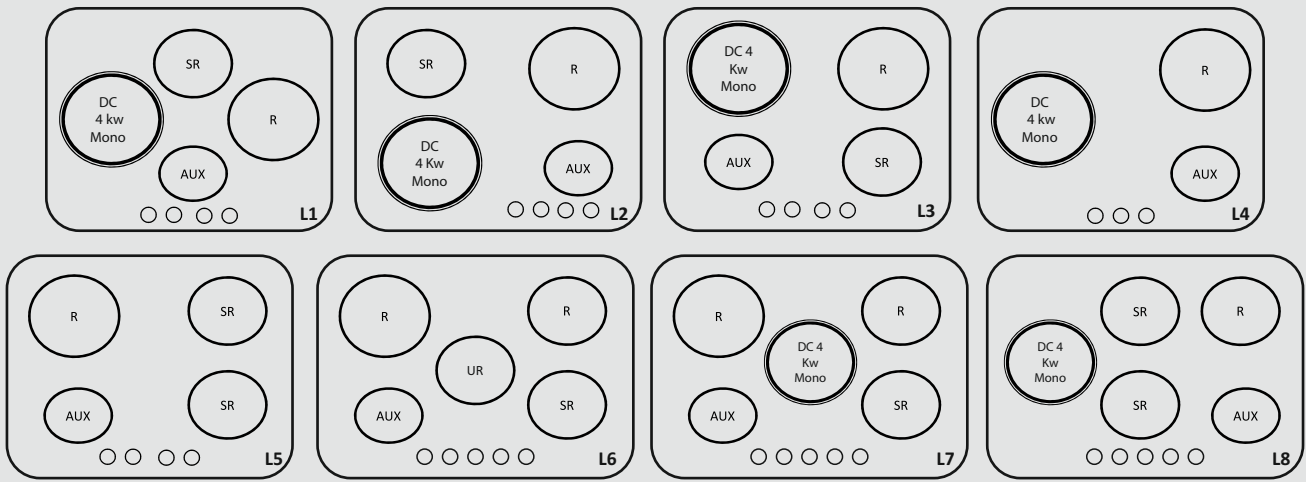



Figure 9



HOBS GAS TYPE

	Gas Type		G20	G20	G25.1	G25.3	G30	G30	G30
	Gas Pressure		20 mbar	25 mbar	25 mbar	25 mbar	29 mbar	37 mbar	50 mbar
Burners	Max (kW)	Min (kW)	Injector NG	Injector NG	Injector NG	Injector NG	Injector LPG	Injector LPG	Injector LPG
			Max - Min	Max - Min	Max - Min	Max - Min	Max - Min	Max - Min	Max - Min
Aux	1	0,3	72X (1Kw-0,3Kw)	70X (1Kw-0,3Kw)	74F1 (1Kw-0,3Kw)	72F1 (1Kw-0,3Kw)	50 (1Kw-0,3Kw)	46 (1Kw-0,34Kw)	43H2 (1Kw-0,39Kw)
Sr	1,75	0,44	97Z (1.75Kw-0.44Kw)	91Z (1.75Kw-0.44Kw)	98Y (1.75Kw-0.44Kw)	102F3 (1.75Kw-0.44Kw)	65 (1.75Kw-0.44Kw)	61 (1.75Kw-0.51Kw)	58M (1.75Kw-0.58Kw)
R	2,7	0,75	109Y (2.7Kw-0.75Kw)	110F3 (2.7Kw-0.75Kw)	120F2 (2.7Kw-0.75Kw)	115F2 (2.7Kw-0.75Kw)	80 (2.7Kw-0.75Kw)	78 (2.7Kw-0.83Kw)	73S (2.7Kw-0.96Kw)
UR	3,5	1,00	140T2P (3.5Kw-1Kw)	130 (3.5Kw-1Kw)	141T2 (3.5Kw-1Kw)	143T2 (3.5Kw-1Kw)	93 (3.5Kw-1Kw)	93 (3.5Kw-1.4Kw)	83 (3.5Kw-1.2Kw)
Dc 4 kW Mono	4	1,8	151H3 (4Kw-1.8Kw)	145H3 (4Kw-1.8Kw)	150F3 (4Kw-1.8Kw)	146F3 (4Kw-1.8Kw)	100 (4Kw-1.8Kw)	94 (4Kw-2.2Kw)	78F4 (4Kw-2.1Kw)

Gas Categories	I12E+3+		I12HS3B/P		I12H3B/P	
	G20 20 mbar		G20 20 mbar		G20 20 mbar	
	G30/31 28-30/37 mbar		G30 28-30mbar		G30/31 30/30 mbar	
			G31 37 mbar			
Countries	BE,FR		CY,CZ,GB,GR,IE,IT,PT,SI, ES,TR,CH		BG, HR,DK,EE,FI,LV,LT,NO,RO,SK,SE,CZ,SI,TR	

Gas Categories	I12H3B/P		I12EKS3B/P		I12EKB/P		I12E3B/P		I12E3B/P	
	G20 20 mbar		G25.3 25 mbar		G20 25mbar		G20 20 mbar		G20 20 mbar	
	G30/31 50/50 mbar		G20 20 mbar		G2.1 25mbar		G30/31 37/37 mbar		G30/31 50 mbar	
			G30/31 30/30 mbar		G30/31 30/30 mbar					
Countries	AT,CH,DE		NL		HU		PL		DE	

Efficiency Declaration 2016/426

UH60MF 4kW DIAMOND (L1)					UH60MF - BIG REAR (L3, L5)					UH60MF - BIG FRONT (L2)					UH60MF - 3 GAS (L4)			
SINGLE BURNER EFFICIENCY					SINGLE BURNER EFFICIENCY					SINGLE BURNER EFFICIENCY					SINGLE BURNER EFFICIENCY			
AUX	SR	R	DC		AUX	SR	R	DC		AUX	SR	R	DC		AUX	R	DC	
-	57,9 %	54,3 %	57,6 %		-	60 %	55,9 %	54,3 %		-	60 %	55,9 %	54,3 %		-	57,6 %	55,9 %	
MEDIUM %56,6					MEDIUM %56,7					MEDIUM %56,7					MEDIUM %56,8			
UH75MF UR - CENTRAL (L6)					UH75MF 4kW - CENTRAL (L7)					UH75MF 4kW - LATERAL (L8)								
SINGLE BURNER EFFICIENCY					SINGLE BURNER EFFICIENCY					SINGLE BURNER EFFICIENCY								
AUX	SR	R	R	UR	AUX	SR	R	R	DC	AUX	SR	SR	R	DC	AUX	R	DC	
-	57,1 %	59,4 %	57,6 %	57,6 %	-	60 %	59,4 %	59,4 %	55,7 %	-	60 %	60 %	59,4 %	57,6 %	-			
MEDIUM %57,9					MEDIUM %58,7					MEDIUM %59,3								



42834822 • A4 • 03.2020 • Rev_0

GB - IE

The manufacturer will not be responsible for any inaccuracy resulting from printing or transcript errors contained in this brochure. We reserve the right to carry out modifications to products as required, including the interests of consumption, without prejudice to the characteristics relating to safety or function.

IT

La Ditta costruttrice declina ogni responsabilità per eventuali errori di stampa contenuti nel presente libretto. Si riserva inoltre il diritto di apportare le modifiche che si renderanno utili ai propri prodotti senza compromettere le caratteristiche essenziali.