



Questo manuale d'istruzione è fornito da trovaprezzi.it. Scopri tutte le offerte per [Digitus DS-12890](#) o cerca il tuo prodotto tra le [migliori offerte di Switch](#)



Questo manuale d'istruzione è fornito da trovaprezzi.it. Scopri tutte le offerte per [Digitus DS-12890](#) o cerca il tuo prodotto tra le [migliori offerte di Switch](#)

# DIGITUS®

## KVM Switch, 4-Port, 4K60Hz, 4 x DP in, 1 x DP/HDMI out



### Quick Installation Guide

DS-12890

# Contents

1. INTRODUCTION .....	3
2. PACKAGE CONTENTS .....	3
3. FEATURES.....	4
4. PANEL DESCRIPTION .....	5
5. SPECIFICATIONS.....	7
6. CONNECTION AND OPERATION .....	8
7. CONNECTION DIAGRAM.....	11
8. POWER ADAPTER INFORMATION.....	12

# DEAR CUSTOMER

Thank you for purchasing this product. For optimum performance and safety, please read these instructions carefully before connecting, operating or using this product. Please keep this manual for future reference.

## 1. INTRODUCTION

This is a high-performance DP-KVM switcher. It routes high definition video (in multiple resolutions up to 4kx2k@60Hz) and audio from any one of the several sources to display units. This DP-KVM switcher not only has the key-press-switching function, but also has intelligent function as well as hot pluggable function.

## 2. PACKAGE CONTENTS

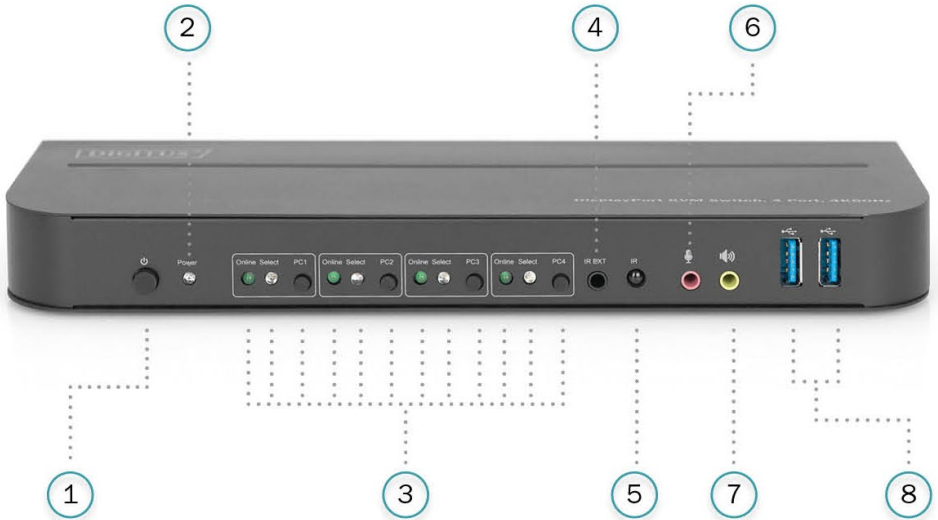
Before attempting to use this unit, please check the packaging and make sure the following items are contained in the shipping carton:

- 1 x KVM Switch, 4-Port, 4K60Hz, 4 x DP in, 1 x DP/HDMI out
- 1 x Power adapter for KVM switch
- 4 x USB 3.0 connection cable (USB B to USB A)
- 4 x DisplayPort™ cable 1.2 m
- 1 x Infrared remote control
- 1 x Infrared recipient with connection cable
- 2 x Mounting bracket for table/wall installation
- 1 x User manual




### 3. FEATURES

- Support resolution up to 4Kx2K@60Hz
- Support RGB 4:4:4/ YCbCr 4:4:4/ YCbCr 4:2:2/ YCbCr 4:2:0
- Support KVM function
- Support a display (Either DP or HDMI) and a set of Keyboard and Mouse to control four PCs with DP ports
- DisplayPort:
  - Support 8.1Gbps per channel (32.4Gbps all channels) bandwidth
  - Support 16bit per channel (48bit all channels) deep color
  - Support HDR
  - Note: Theoretically, DP resolution can be up to 8K, it is to be verified on DP1.4 Graphic cards and 8K DP display**
- HDMI:
  - Support 6Gbps per channel (18Gbps all channels) bandwidth
  - Support 12bit per channel (36bit all channels) deep color
  - Support HDCP 2.2/1.4
  - Support HDR
- Support infrared remote control function
- Support for switching LED indications
- Support Windows 2000/XP/Vista/Win7/Win8/Win10/Win11 and above / Linux/ Apple Mac OS

## 4. PANEL DESCRIPTION






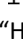
### Front Panel

- 1) Power Button: Press to turn on/off the unit.
- 2) Power Indicator: The LED will light up once the DC/5V is provided and the unit is turned on.
- 3) Input Selection: When PC1/PC2/PC3/PC4 is selected, the corresponding “Select” lights up to indicate input selection (“Select” LEDs flash in a loop under automatic switching mode). “Online” LED lights up when the corresponding USB-B port is connected.
- 4) IR EXT: Connect IR Extender to this port for IR signal reception from the remote control.
- 5) IR: For IR signal reception from the remote control.
- 6) : 3.5mm MIC input port.
- 7) : 3.5mm stereo output port.
- 8) : USB 3.0 ports, mainly used for connecting to printers, scanners, U-disk, etc.



## Back Panel

### 9) Output ports:

- Connect  to a mouse or a keyboard.
- Connect  to a keyboard or a mouse.
- Connect  to an amplifier.
- Connect  to a MIC.
- Connect "HDMI Out" to HDMI display.
- Connect "DisplayPort Out" to DP display.

### 10) PC1 input ports:

Respectively connect to DisplayPort, USB, MIC, stereo ports of PC1.

### 11) PC2 input ports:

Respectively connect to DisplayPort, USB, MIC, stereo ports of PC2.

### 12) PC3 input ports:

Respectively connect to DisplayPort, USB, MIC, stereo ports of PC3.

### 13) PC4 input ports:

Respectively connect to DisplayPort, USB, MIC, stereo ports of PC4.

### 14) DC 5V: Plug the 5V DC power supply into the unit.

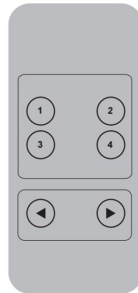
## 5. SPECIFICATIONS

<b>Connectors</b>	
Console Connectors	<ul style="list-style-type: none"> <li>• USB 2.0-A x2 (Back)</li> <li>• DisplayPort Female x1 (Back)</li> <li>• HDMI Female x1 (Back)</li> <li>• 3.5mm Stereo Jack (Green, 1 Front, 1 Back) x2</li> <li>• 3.5mm Stereo Jack (Pink, 1 Front, 1 Back) x2</li> </ul>
KVM Connectors	<ul style="list-style-type: none"> <li>• USB 3.0-B x4 (Back)</li> <li>• DisplayPort Female x4 (Back)</li> <li>• 3.5mm Stereo Jack (Green, Back) x4</li> <li>• 3.5mm Stereo Jack (Pink, Back) x4</li> </ul>
USB HUB Connectors	<ul style="list-style-type: none"> <li>• USB 3.0-A x2 (Front)</li> </ul>
<b>Resolution</b>	
Max Resolution	3840*2160@60Hz, 4096*2160@60Hz
<b>Operating Frequency</b>	
HDMI Bandwidth	18G
DisplayPort Bandwidth	32.4G
<b>Mechanical</b>	
Material	Metal
Size (L-W-H)	243*75*26mm
Weight (Net)	505.4g
<b>Environmental</b>	
Operating Temperature	0°C to 45°C
Operating Humidity	10% to 85 % RH (no condensation)
Storage Temperature	-10°C to +80°C
Storage Humidity	5% to 90 % RH (no condensation)
<b>Power Requirement</b>	
External Power Supply	DC 5V
Power Consumption (Max)	11.75W
<b>ESD Protection</b>	
Human Body Model	±8kV (air-gap discharge) &± 4kV (contact discharge)



## 6. CONNECTION AND OPERATION

### Operation

- 1) Connect PCs to USB-B ports of the unit with USB cables; Respectively connect MIC and stereo ports of the PCs to those(above the “DisplayPort In”) of the unit with 3.5mm audio cables; Connect PCs to “DisplayPort In” ports of the unit with DisplayPort cables.
- 2) Connect keyboard and mouse to the USB-A ports on the back panel of the unit; Respectively connect microphones and amplifiers to the mic and stereo ports(on the front panel/above “DisplayPort Out”) of the unit with 3.5mm audio cables; Connect a display to “DisplayPort Out” of the unit with a max 2m DisplayPort cable.(Or connect a display to “ HDMI Out” of the unit with an HDMI cable)  
**Note: When either “DisplayPort Out” or “HDMI Out” is connected, video is output by the connected port automatically; When two of them are connected, video is output by DisplayPort.**
- 3) Power the unit with DC 5V and press the power button, the “Power” indicator lights up.The USB-B ports are connected normally and the “Online” indicators light up. “Select” lights up to indicate the current selected PC.
- 4) Press the buttons on the front panel of the unit to select input, the corresponding “Select” lights up. After selection, the display shows corresponding image and the selected PC can be controlled by a set of keyboard and mouse.
- 5) Remote control works the same as manual buttons.



1,2,3,4: For input selection. 1 specifies PC1, 2 specifies PC2, 3 specifies PC3 and 4 specifies PC4.

  For loop switching. Order: PC1→PC2→PC3→PC4→PC1....

- 6) For external function, connect printer/scanner/U-disk to the USB-A ports on the front panel of the unit.

## Special Function Operation:

### 1) Mouse traversal function:

Place the mouse on the far right side of the display and continue to slide to the right for 2 seconds, the unit automatically switches to the next port. Switching order is : PC1→PC2→PC3→PC4→PC1→...;

### 2) USB-B detection switching function:

- When the unit detects that a PC is connected to the USB-B port of the unit, the unit immediately switches to this PC and the corresponding “Online” and “Select” indicators light up.  
(For example: When PC1 is connected already, PC3 is connected to the unit through USB-B port, then the unit immediately switches to PC3.
- When the current selected PC is powered off or the USB cable is dialed out, the unit automatically switches to the next PC with the power on and the USB port connected.

### 3) Hotkey function

(It doesn't work on functional keyboard and only the 2 USB-A ports on the back panel can get access to this function.)

Number	Hotkey Combination	Function Description
1	Scroll Lock++ <sup>1</sup> Scroll Lock +→or↓	Switch to the next port
2	Scroll Lock++ Scroll Lock +←or↑	Switch to the previous port
3	Scroll Lock++ Scroll Lock +[N <sup>2</sup> ]	Switch to PC N
4	Scroll Lock++ Scroll Lock +S <sup>3</sup>	Automatic switching function (Default: 15 seconds)
5	Scroll Lock++ Scroll Lock +I+[N <sup>4</sup> ]+[Enter]	Set the automatic switching interval (5~999 seconds)
6	Scroll Lock++ Scroll Lock +B+[1/0] <sup>5</sup>	Buzzer on/off (Default: on)
7	Scroll Lock++ Scroll Lock +F+L+A+S+H+[Enter]	All resume hotkey default mode <sup>6</sup>

## Note

- Hot keys are not case-sensitive;
- Buzzer sounds when switching between PC1 PC2, PC3 and PC4.

<sup>1</sup> “++” means to press 2 times in rapid succession. For example: “Scroll Lock ++ Scroll Lock + 1” means to press the Scroll Lock button twice in rapid succession and then press number “1” button. The detection between each hotkey code times out for 5 seconds. For example, if the Scroll Lock button is pressed for the first time, and then the Scroll Lock button is pressed after more than 5 seconds, the hotkey combination is invalid;

<sup>2</sup> “N” here indicates the number of the PC. For example, to switch to PC2, the hotkey combination is “Scroll Lock ++ Scroll Lock + 2”;

<sup>3</sup> Turn on this function, then DisplayPort, MIC and the speaker will enter the automatic switching mode without USB. Press (except the space bar) any key to exit to the port before the automatic switching, press the space bar to stay at the currently switched port. When switching automatically, the “Select” LED flashes at the same time.

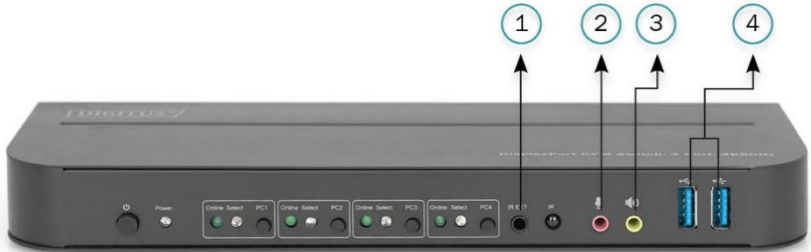
<sup>4</sup> “N” here indicates the number of switching interval which can be 5(seconds) to 999 (seconds);

<sup>5</sup> “1” means on, “0” means off;

<sup>6</sup> This mode only has relation to the hotkey function of Number 4 and Number 6.

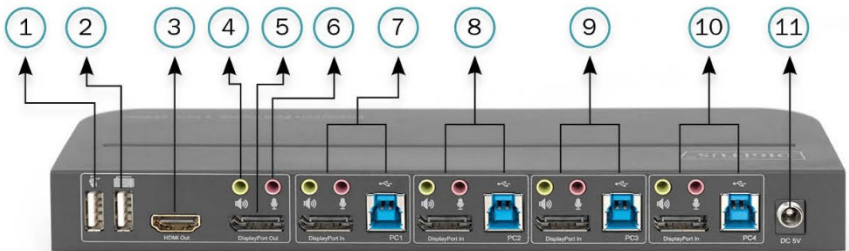
# 7. CONNECTION DIAGRAM

## Front Panel



- ①. IR Extender
- ②. Mic
- ③. Amplifier
- ④. USB Devices

## Back Panel



- ①. Mouse
- ②. Keyboard
- ③. HDMI Display
- ④. Amplifier
- ⑤. DisplayPort Display
- ⑥. Mic
- ⑦. PC 1
- ⑧. PC 2
- ⑨. PC 3
- ⑩. PC 4
- ⑪. Power Supply

## 8. POWER ADAPTER INFORMATION

Information published	Value and precision	Unit
Manufacturer's name or trade mark, commercial registration number and address	Dongguan Guanjin Electronics Technology Co.,Ltd Block 16 Qiantou New Industrial Park, Niushan, Dongcheng District, 523128 Dongguan City, Guangdong Province	-
Model identifier	K25V050300G	-
Input voltage	AC, 100-240V	V
Input AC frequency	50-60	Hz
Output voltage	DC, 5V	V
Output current	3	A
Output power	15	W
Average active efficiency	81.39	%
Efficiency at low load (10 %)	76	%
No-load power consumption	0.1	W

Hereby Assmann Electronic GmbH, declares that the Declaration of Conformity is part of the shipping content. If the Declaration of Conformity is missing, you can request it by post under the below mentioned manufacturer address.

**www.assmann.com**  
Assmann Electronic GmbH  
Auf dem Schüffel 3  
58513 Lüdenscheid  
Germany

