



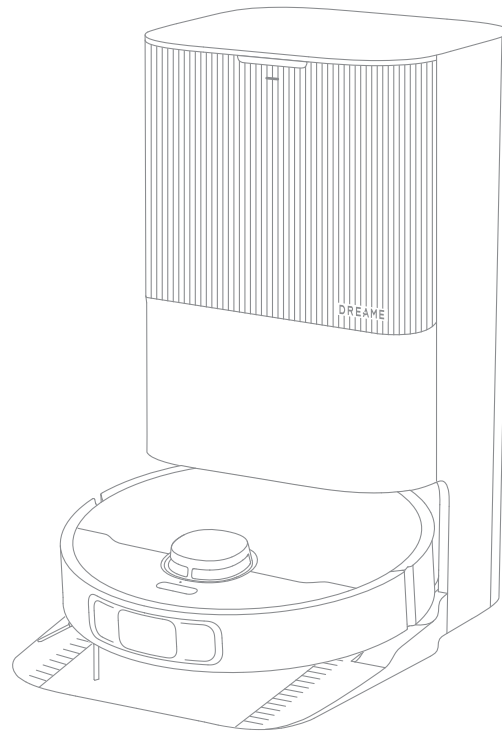
Questo manuale d'istruzione è fornito da trovaprezzi.it. Scopri tutte le offerte per [Dreame X40 Ultra Complete](#) o cerca il tuo prodotto tra le [migliori offerte di Aspirapolvere e Pulitrici](#)



Questo manuale d'istruzione è fornito da trovaprezzi.it. Scopri tutte le offerte per [Dreame X40 Ultra Complete](#) o cerca il tuo prodotto tra le [migliori offerte di Aspirapolvere e Pulitrici](#)

Dreame X40 Ultra/X40 Ultra Complete

Robot Vacuum and Mop with
Auto-Empty and Mop Self-Cleaning
[User Manual](#)



The illustrations in this manual are for reference only. Please refer to the actual product.

DREAME

Contents

EN	User Manual	01
DE	Benutzerhandbuch	30
FR	Manuel d'utilisation	60
IT	Manuale utente	89
ES	Manual de usuario	118
PL	Instrukcja obsługi	147
NL	Gebruikershandleiding	177
NO	Brukerhåndbok	206
SV	Användarmanual	235
HE	מדריך למשתמש	264
AR	دليل الاستخدام	293

Safety Information

To avoid electric shock, fire or injury caused by improper use of the appliance, please read the user manual carefully before using the appliance and keep it for future reference.

Usage Restrictions

- This product should not be used by children younger than 8 years old nor persons with physical, sensory, intellectual deficiencies, or limited experience or knowledge without the supervision of a parent or guardian to ensure safe operation and to avoid any risks. Cleaning and maintenance shall not be performed by children without supervision.
- The appliance is only to be used with the power supply unit provided with the appliance.
- This appliance contains batteries that are only replaceable by skilled persons.
- Clear the area to be cleaned. Children shall not play with the appliance. Ensure children and pets are kept at a safe distance from the robot while it is operating.
- Do not install, charge or use the appliance in the bathrooms or around the pools.
- This product is for floor cleaning in a home environment only. Do not use it outdoors, on non-floor surfaces, or in a commercial or industrial setting.
- Ensure that the appliance operates correctly in a proper environment. Otherwise, do not use the appliance.
- If the power cord is damaged, it must be replaced by a special cord or assembly available from the manufacturer or its service agent.

Safety Information

Usage Restrictions

- Do not use the robot in an area suspended above ground level without a protective barrier.
- Do not place the robot upside down. Do not use the LDS cover, robot cover, or bumper as a handle for the robot.
- Use the robot in environments with an ambient temperature above 0°C and below 40°C. Make sure there is no liquid or sticky substance on the floor.
- To prevent damage or harm from dragging, clear any loose objects from the floor, and remove cables or power cords on the cleaning path before operating the appliance.
- Remove fragile or small items from the floor to prevent the robot from bumping into and damaging them.
- Keep hair, fingers, and other body parts away from the suction opening of the robot.
- Keep the cleaning tool out of reach of children.
- Do not operate the appliance in a room where an infant or child is sleeping.
- Do not place children, pets, or any item on top of the robot regardless of whether it is stationary or moving.
- Only clean water and the officially-approved cleaning solution can be added to the clean water tank. Do not add any other liquid such as alcohol or disinfectant. The ratio of the cleaning solution to clean water can be checked on the cleaning solution bottle. Keep the cleaning solution out of reach of children.

Safety Information

Usage Restrictions

- Do not use the robot to clean any burning objects. Do not use the robot to pick up flammable or combustible liquids, corrosive gases, or undiluted acids or solvents.
- Do not vacuum hard or sharp objects. Do not use the appliance to pick up objects such as stones, large pieces of paper or any item that may clog the appliance.
- Plug must be removed from the socket-outlet before cleaning or maintaining the appliance.
- Do not wipe the robot or the base station with a wet cloth or rinse them with any liquid. After cleaning washable parts, fully dry the parts before reinstalling and using them.
- Please use this product in accordance with the instructions in the User Manual. Users are responsible for any loss or damage that arise from improper use of this product.

Batteries and Charging

- Do not use any third-party battery or base station. The robot can only be used with the model RCXE0307/RCXE0307-5 base station.
- Do not attempt to disassemble, repair, or modify the battery or the base station on your own.
- Do not place the base station near a heat source.
- Do not use a wet cloth or wet hands to wipe or clean the base station's charging contacts.

Safety Information

Batteries and Charging

- Do not improperly dispose of old batteries. Unneeded batteries should be discarded at an appropriate recycling facility.
- If the power cord becomes damaged or broken, stop using it immediately and contact after-sales service.
- Make sure the robot is turned off when being transported and kept in its original packaging if possible.
- If the robot will not be used for an extended period of time, fully charge it, then turn it off and store it in a cool, dry place. Recharge the robot at least once every 3 months to avoid over-discharging the battery.

Laser Safety Information

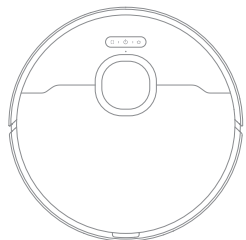
- The laser sensor in this product meets the IEC 60825-1:2014/EN 60825-1:2014/A11:2021 Standard for Class 1 laser products. Please avoid direct eye contact with it during use.

CLASS 1 LASER PRODUCT
CONSUMER LASER PRODUCT
EN 50689:2021

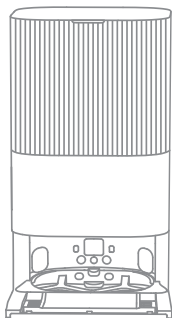
Hereby, Dreame Trading (Tianjin) Co., Ltd. declares that the radio equipment type RLX63CE/RLX63CE-2 is in compliance with Directive 2014/53/EU. The full text of the EU declaration of conformity is available at the following internet address: <https://global.dreametech.com>
For detailed e-manual, please go to <https://global.dreametech.com/pages/user-manuals-and-faqs>

Product Overview

Package Contents (Dreame X40 Ultra)

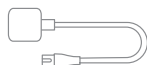


Robot



Base Station

Other Accessories



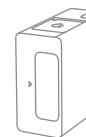
Power Cord



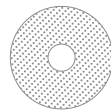
Base Station Ramp
Extension Plate



User Manual



Auto-Detergent
Compartment
(pre-installed)



Mop Pad × 2
(pre-installed)



Mop Pad
Holder × 2



Dust Bag × 2
(1 pre-installed)



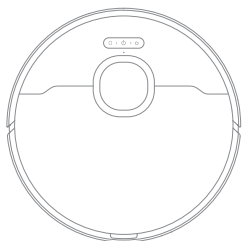
Cleaning Tool



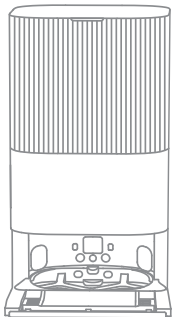
Cleaning Solution

Product Overview

Package Contents (Dreame X40 Ultra Complete)

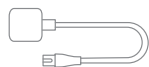


Robot

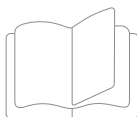


Base Station

Other Accessories



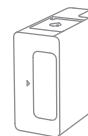
Power Cord



User Manual



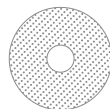
Base Station Ramp
Extension Plate



Auto-Detergent
Compartment
(pre-installed)



Cleaning Tool



Mop Pad × 2
(pre-installed)



Mop Pad
Holder × 2



Dust Bag × 2
(1 pre-installed)

Extra Accessories Kit



Main Brush × 1



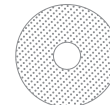
Side Brush × 2



Dust Box's Filter
× 3



Dust Bag × 3



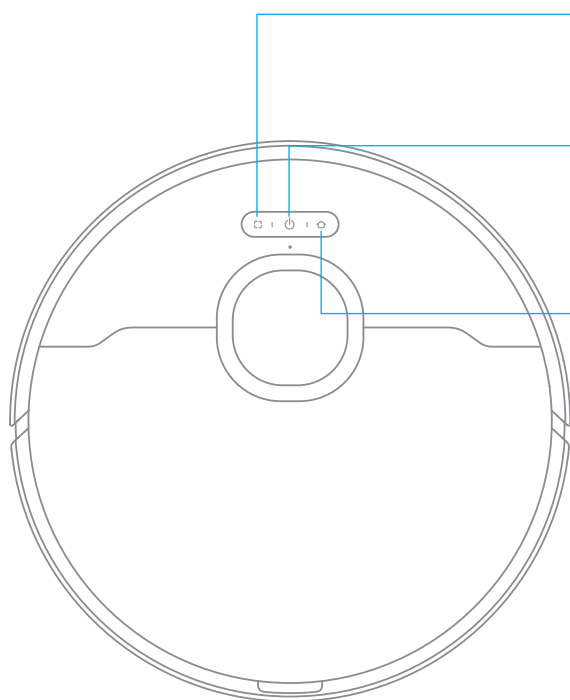
Mop Pad × 12




Cleaning Solution
× 1

Product Overview

Robot



 **Spot Cleaning Button**
· Press to start spot cleaning

 **Power / Clean Button**
· Press and hold for 3 seconds to turn on or off
· Press to start cleaning after the robot is turned on

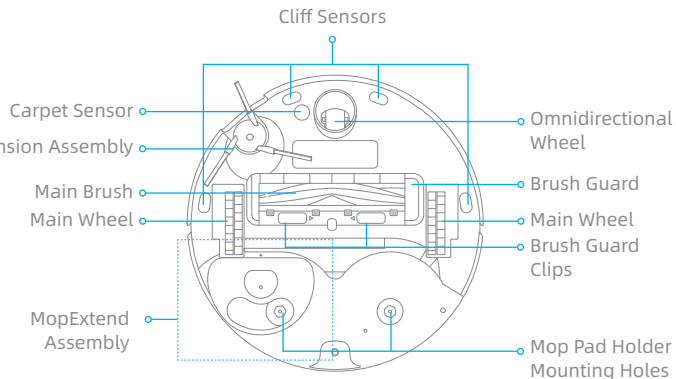
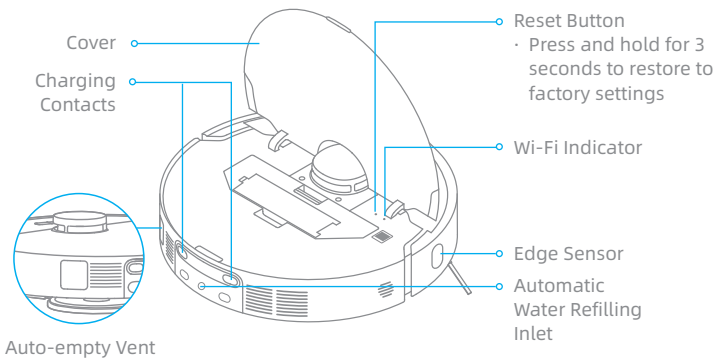
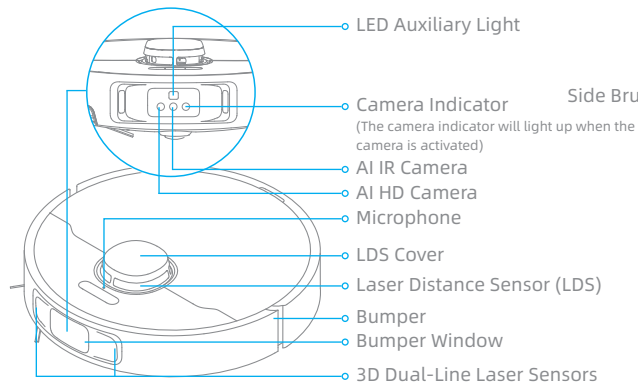
 **Dock Button**
· Press to send the robot back to the base station
· Press and hold for 3 seconds to disable Child Lock

Status Indicator
· Solid White: Cleaning or cleanup completed
· Breathing White: Charging (not low battery)
· Solid Orange: Standby at low battery or paused at low battery
· Breathing Orange: Charging (low battery)
· Blinking Orange: Error

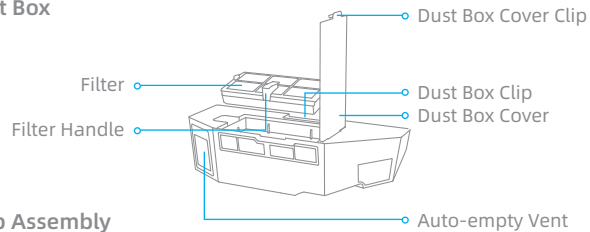
Note:
· Press any button on the robot to pause while the robot is cleaning or returning to charge.
· Child Lock can be enabled/disabled through the Dreamehome App.

Product Overview

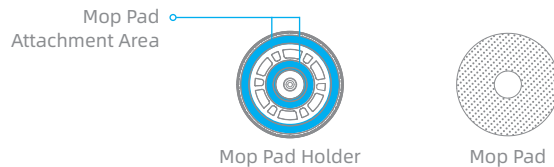
Robot and Sensors



Dust Box

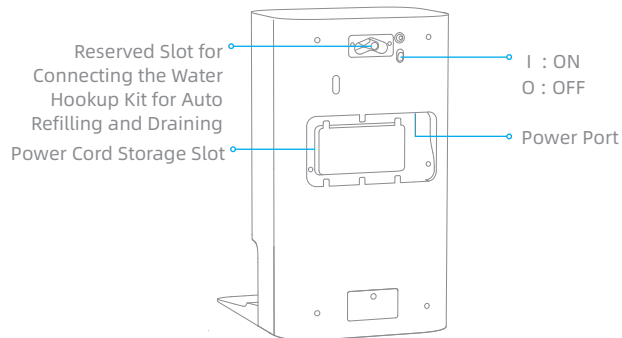
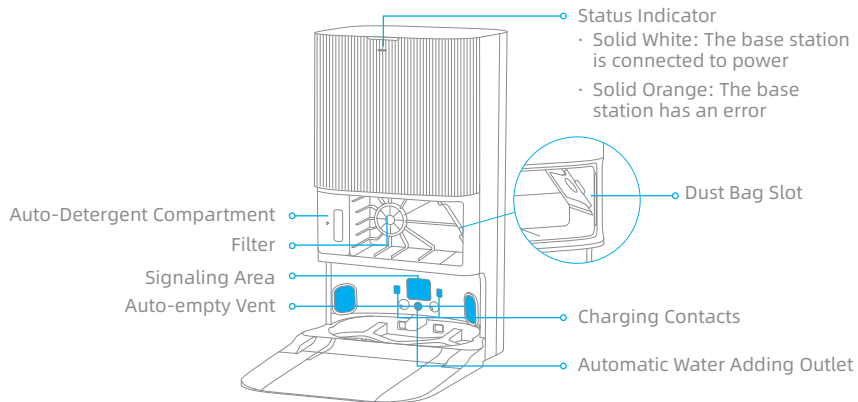
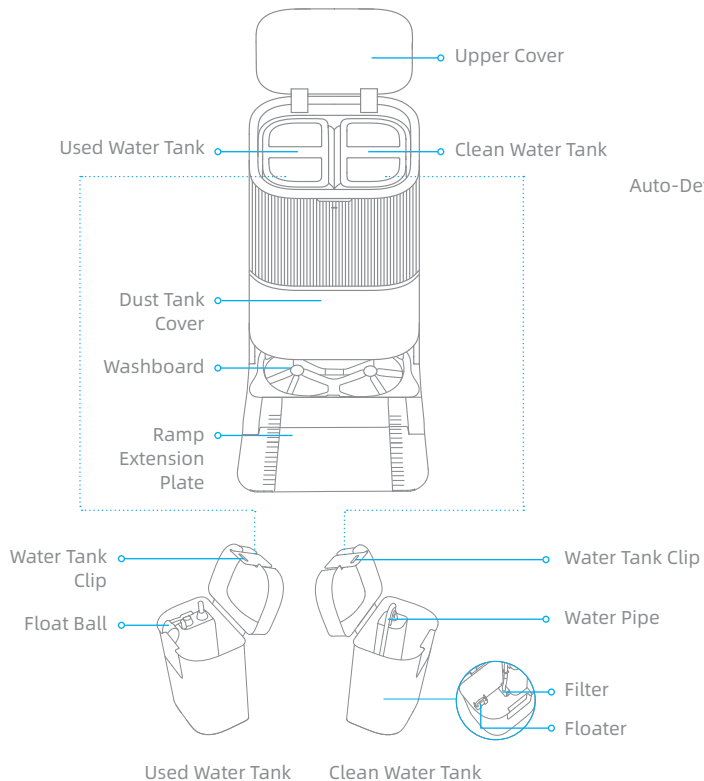


Mop Assembly



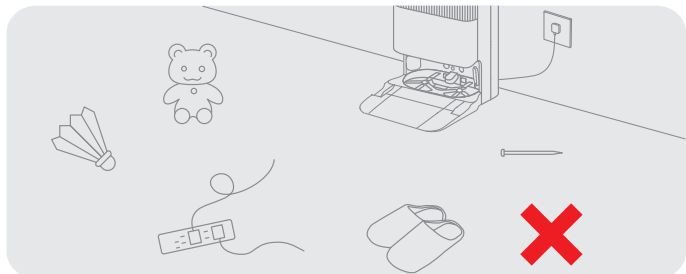
Product Overview

Base Station

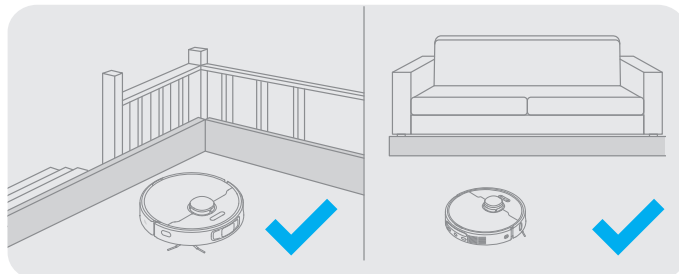


Note: The water hookup kit for auto refilling and draining needs to be purchased separately. (Only available in specific regions)

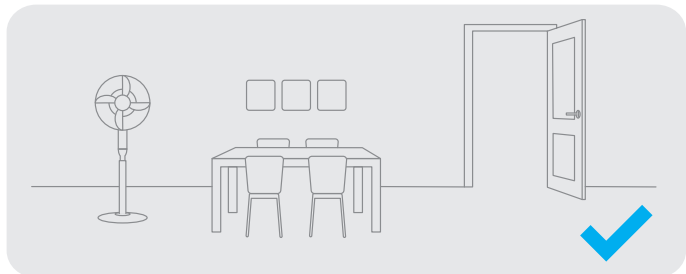
Preparing Your Home



Before cleaning, please move away unstable, fragile, valuable or dangerous items, and clean up cables, cloths, toys, hard objects and sharp objects on the ground to avoid being entangled, scratched or knocked over by the robot and causing losses.



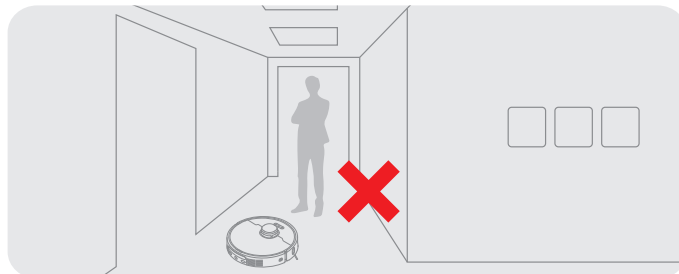
Before cleaning, place a physical barrier at the edge of the stairs and sofa to ensure the secure and smooth operations of the robot.



Open the door of the room to be cleaned, and put the furniture in its proper place to leave more space.

Note:

- When operating the robot for the first time, follow it around while cleaning to remove any potential obstacles in time.
- The LED auxiliary light will provide auxiliary lighting in dimly lit environments.
- Do not vacuum hard objects like stones, steel balls and toy parts, or sharp objects like construction waste, broken glass and nails, otherwise the ground may be scratched.

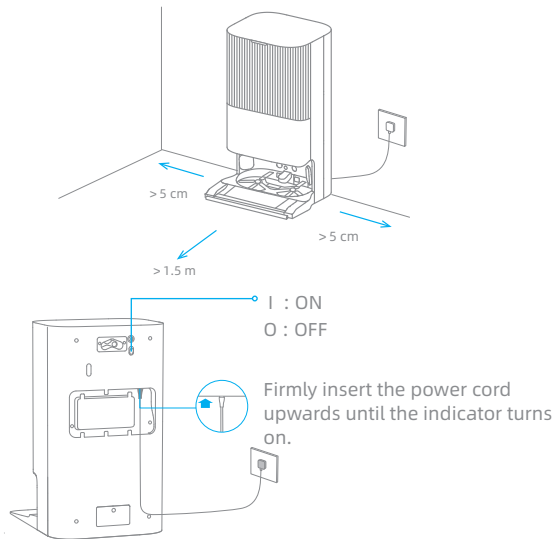


To prevent the robot from not recognizing areas that need to be cleaned, do not stand in front of the robot, threshold, hallway, or narrow places.

Before Use

1. Place the Base Station and Connect to an Electrical Outlet

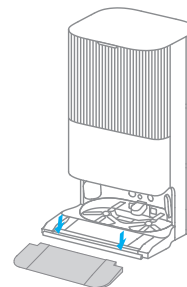
Place the base station in a location that is as open as possible with a good Wi-Fi signal. Remove any objects that are closer than 1.5 m from the front and 5 cm from either side of the base station. Insert the power cord into the base station and plug it into the socket.



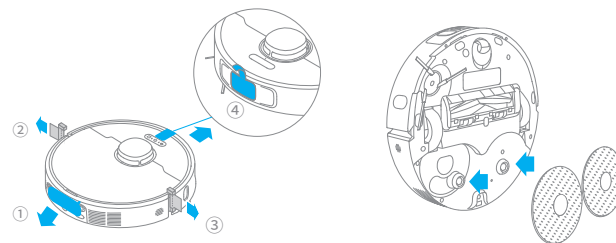
Note:

- Make sure that no objects might block the signaling area.
- To prevent water stains from wetting wood floors or carpets, placing the base station on tile floors or marble floors is recommended.

2. Install the Ramp Extension Plate




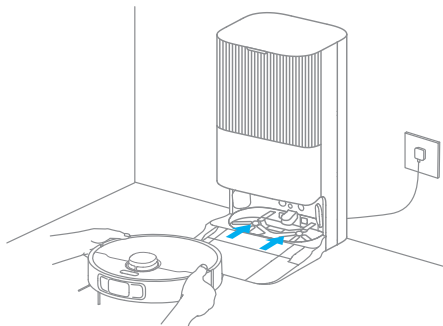
3. Remove Robot Protections and Install the Mop Assembly



Before Use

4. Connect the Robot to the Base Station

Press and hold the button  on the robot for 3 seconds to turn it on. Place the robot onto the base station with the mop assembly facing toward the washboard. Then you will hear a voice notification when the robot successfully connects to the base station.

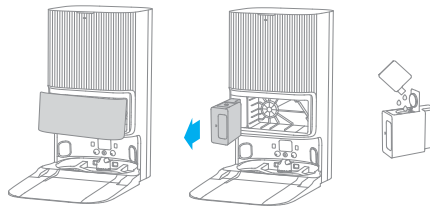


Note: It is recommended to fully charge the robot before its first use. When the robot cannot be turned on after the battery is depleted, manually connect the robot with the station to charge it.

5. Add the Cleaning Solution

- (1) Remove the dust tank cover and pull out the auto-detergent compartment.
- (2) Open the upper lid of the compartment and add the cleaning solution.
- (3) Close the lid of the compartment, put it back into the base station, and then reinstall the dust tank cover. The cleaning solution will be added

automatically while working.

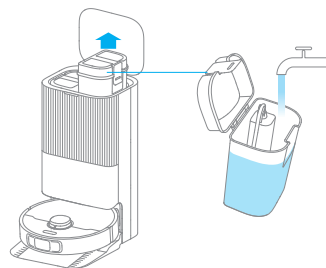


Note:

- Do not add any liquid other than the officially-approved cleaning solution to help prevent malfunction.
- Install the auto-detergent compartment until it clicks into place.

6. Add Water to the Clean Water Tank

Take out the clean water tank from the base station and fill up the tank with clean water. Then install it back into the base station.

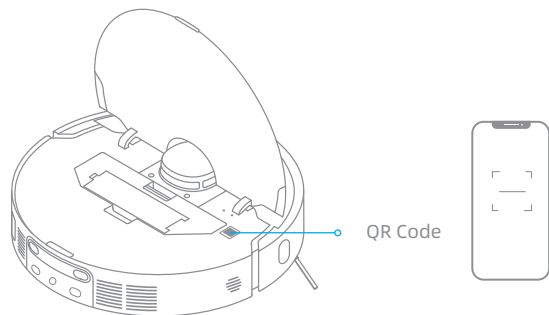


Note: Do not add hot water into the water tank, as this may cause the tank to become deformed.

Connecting with the Dreamehome App

1. Download the Dreamehome App

Scan the QR code on the robot, or search "Dreamehome" in the app store to download and install the app.



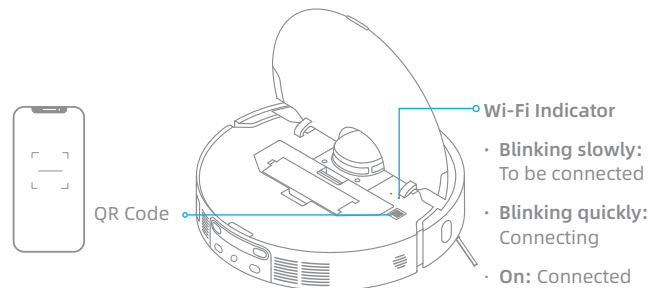
Note:

- Only 2.4 GHz Wi-Fi is supported.
- Due to upgrades in the app software, the actual operations may differ from the directions in this manual. Please follow the instructions based on the current app version.

2. Add Device



Open the Dreamehome app, tap "+" in the upper right corner, and scan the same QR code on the robot again to add the device. Please follow the prompts to finish the Wi-Fi connection.

Note: If you want to reset Wi-Fi, repeat step 2 and then follow the prompts to finish the Wi-Fi connection.



How to Use

Turn On/Off

Press and hold the button  for 3 seconds to turn on the robot. The power indicator should be illuminated. Place the robot onto the base station, the robot should turn on automatically and begin charging. To turn off the robot, move the robot away from the base station and press and hold the button  for 3 seconds.

Fast Mapping

After configuring the network for the first time, follow the instructions in the app to quickly create a map. The robot will start mapping without cleaning. When the robot returns to the base station, the mapping process has been completed and the map will be saved automatically.

Pause/Sleep

When the robot is running, press any button to pause it. If the robot is paused for more than 10 minutes, it automatically enters sleep mode. All indicators on the robot will turn off. Press any button on the robot, or use the app to wake up the robot.

Note: If the robot is paused and placed onto the base station, the current cleaning process will end.

Auto Resume Cleaning

If the battery is too low, the robot will automatically return to the base station to charge. After charging to the appropriate battery level, it will resume unfinished cleaning tasks.

Note: To use this function, please enable it in the app.


Do Not Disturb (DND) Mode

When the robot is set to the Do Not Disturb (DND) mode, the robot will be prevented from resuming cleaning and the power indicator goes out. The DND mode is disabled by default at the factory. You can use the app to enable the DND mode or modify the DND period. The DND period is 22:00-8:00 by default.



Note:

- The scheduled cleaning tasks will be performed as usual during the DND period.
- The robot will resume cleanup where it left off after the DND period expires.

Spot Cleaning

When the robot is on standby, press briefly the button  to enable the spot cleaning mode. In this mode, the robot cleans a square-shaped area of 1.5 x 1.5 meters around it and returns to its starting point once the spot cleaning is completed.

Robot Restarting


If the robot stops responding or cannot be turned off, press and hold the button  for 10 seconds to forcefully turn it off. Then, press and hold the button  for 3 seconds to turn the robot on.

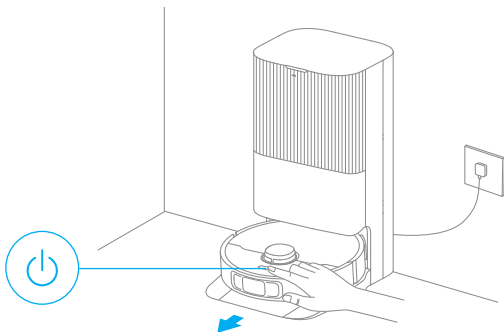
How to Use

Vacuum and Mop

Note: When using the mop assembly for the first time, the robot performs the "Vacuum and Mop" task by default.

1. Start cleaning

Press the button  on the robot, or use the app to make the robot start from the base station. Then the robot will plan the optimal cleaning route and perform the cleaning task based on the created map.

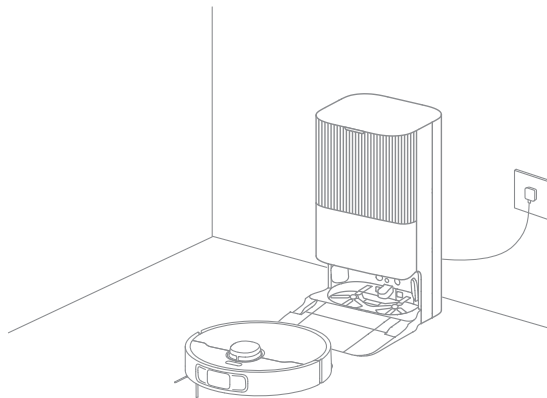


Note:

- To ensure the robot easily returns to the base station after cleaning, it is recommended to make the robot start from the base station.
- The mop pads will be cleaned before the robot starts mopping, please wait patiently.
- Do not move the base station, the clean water tank, the used water tank, or the washboard during operation.
- Hot water cleaning can be enabled in the app for mop pad and washboard base cleaning tasks, which applies to all modes. To prevent scalding, do not touch the water outlet when the function is on.

2. Auto mop washing

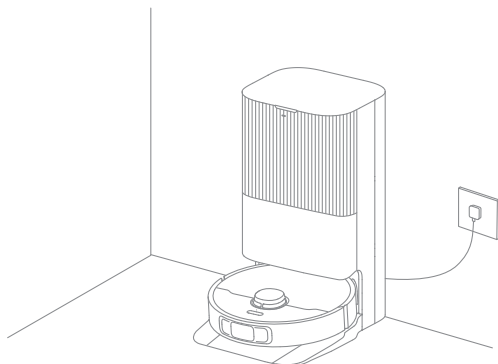
When cleaning, the robot will automatically return to the base station to wash mop pads based on the mop pad cleaning frequency specified in the app. The base station will automatically refill the robot's water tank and the robot will resume cleanup.



How to Use

3. Automatically empty the dust box and wash and dry the mop pads

After the robot finishes a cleaning task and returns to the base station to charge, the base station will automatically start emptying the dust box. Then it will wash and dry the mop pads.



Note:

- If the auto-empty function is turned off in the app, the base station will not automatically empty the dust box.
- The base station will empty the dust box according to the setting in the app.

4. Clean the used water tank

After the robot has completed its task, please clean the used water tank to prevent any odor.

Mop after Vacuuming

Enable the mopping after vacuuming function in the app, and the robot will automatically remove the mop assembly on the base station to vacuum the floor. After vacuuming is completed, the robot will return to the base station to install the mop assembly and the base station will automatically start emptying the dust box. And then, the robot will start mopping after the main brush and side brush are raised.

Vacuum Only

Enable the vacuuming function in the app, and the robot will automatically remove the mop assembly on the base station and start vacuuming.

Mop Only

Enable the mopping function in the app, and the robot will automatically check if the mop assembly is installed on the base station. If not, the robot will install the mop assembly and start mopping after the main brush and side brush are raised.

Routine Maintenance

Parts

To keep the robot in good condition, it is recommended to refer to the accessory usage in the app or the following table for routine maintenance.

Part	Maintenance Frequency	Replacement Period
Used water tank	After each use	/
Clean water tank	Once every 2 weeks	
Main brush		Every 6 to 12 months
Dust box's filter		Every 3 to 6 months
Side brush		/
Mop pad holder		
Washboard	Once every 2 months	/
Base station's signaling area	Once every month	/
Base station's charging contacts		
Base station's auto-empty vent		
Omnidirectional wheel		
Edge sensor		
Laser Distance Sensor (LDS)		
3D dual-line laser sensors		

Part	Maintenance Frequency	Replacement Period
Carpet sensor	Once every month	/
Cliff sensors		
Bumper Window		
Robot's charging contacts		
Bumper		
Robot's auto-empty vent		
Robot's automatic water refilling inlet		
Bottom of the robot	Clean it as needed	
Dust box		
Dust bag	/	Every 2 to 4 months
Mop pad		Every 1 to 3 months

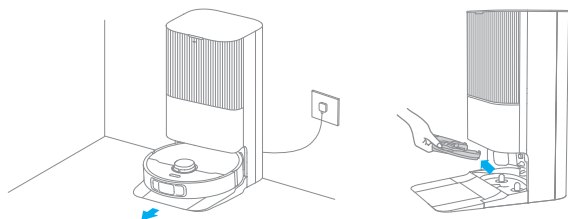
Note: The replacement frequency will depend on your usage of the robot. If an exception occurs due to special circumstances, the parts should be replaced.

Routine Maintenance

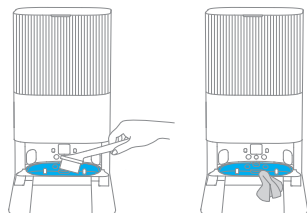
Washboard Base

The base station will perform washboard self-cleaning along with each mop pad cleaning. For deep cleaning, please refer to the following steps.

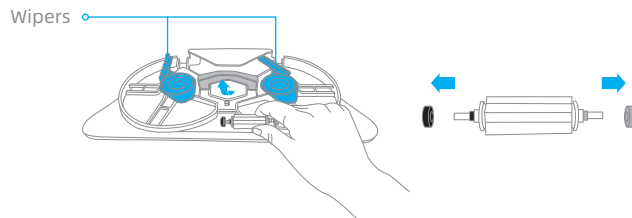
1. Enable the washboard base cleaning function in the app, and the robot will exit the base station automatically. Take out the washboard and wait for water to fill the washboard base.



2. Use the cleaning tool to clean the washboard base. After a moment, the base station will automatically pump out the used water. Then wipe the washboard base with a soft and dry cloth.



3. Flip the washboard over, remove the roller cover and the roller in turn, and then pull off the end caps of the roller.



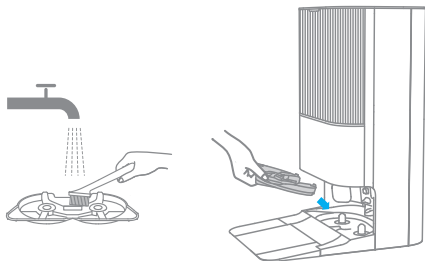
Note: If the roller cover is blocked by wipers on both sides of the washboard, rotate the roller to move them aside.

4. Remove the hair tangled in the roller, and then reassemble the parts according to corresponding colors, as shown in the figure below.

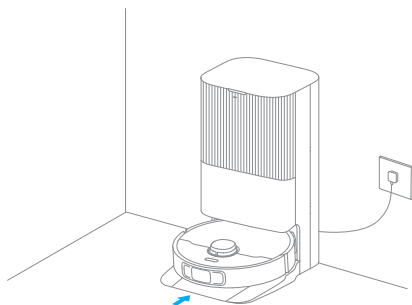


Routine Maintenance

5. Rinse the washboard with clean water, wipe it clean and then put it back into the base station downwards in an inclined way.



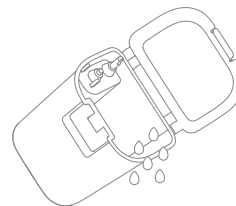
6. Use the app or briefly press the button  on the robot to make it return to the base station.



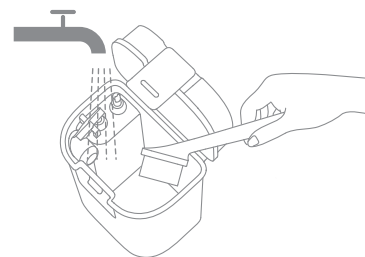
Note: During cleaning, do not make the robot return to the base station.

Used Water Tank

1. Remove the used water tank, open its cover and pour out the used water.



2. Rinse the used water tank with clean water, and use the provided cleaning tool to clean the inner wall of the used water tank.

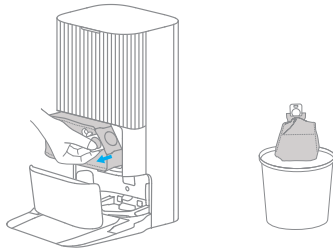


Note: The float ball in the used water tank is a movable part. Do not apply too much force when cleaning it to avoid damaging it.

Routine Maintenance

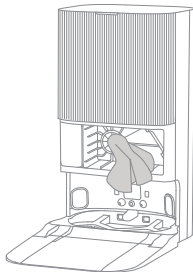
Dust Bag

1. Remove the dust tank cover and discard the dust bag.

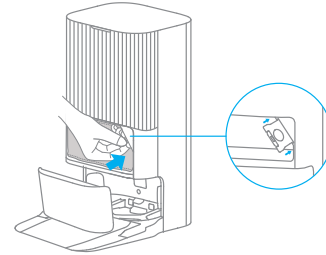


Note: Pulling upwards on the handle will seal the bag to prevent the dust and debris from accidentally falling out.

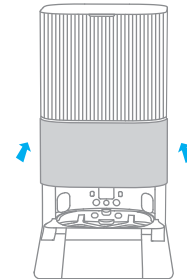
2. Remove the dust and debris from the filter with a dry cloth.



3. Install a new dust bag.



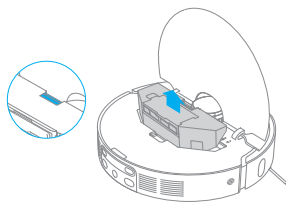
4. Reinstall the dust tank cover.



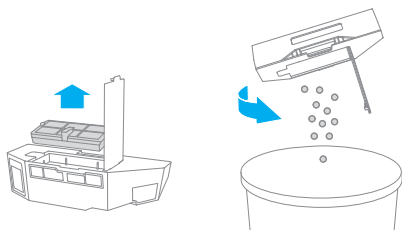
Routine Maintenance

Dust Box and Filter

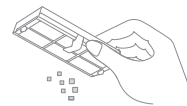
1. Open the robot cover and press the dust box clip to remove the dust box.



2. Open the dust box cover, remove the filter, and then empty the dust box as shown in the diagram.

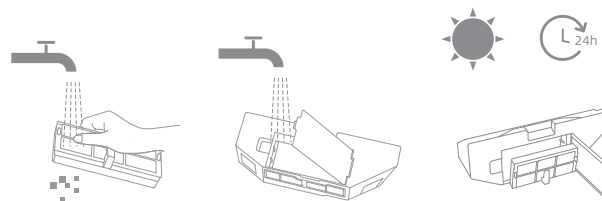


3. Gently tap the basket of the filter to remove the dirt.



Note: Do not attempt to clean the filter with a brush, a finger or sharp objects to prevent damage.

4. Rinse the dust box and filter with water and dry them completely before reinstalling.



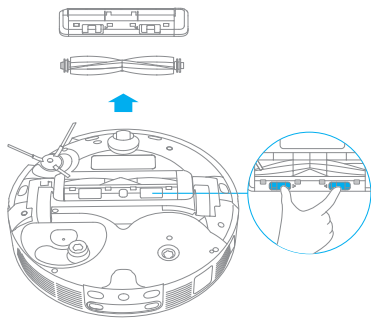
Note:

- Rinse the dust box and filter with clean water only. Do not use any detergent.
- Use the dust box and filter only when they are completely dry.

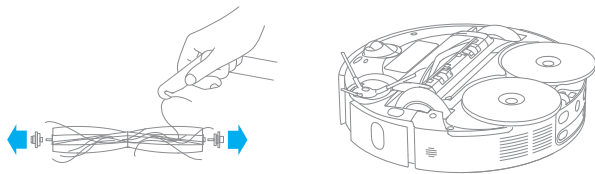
Routine Maintenance

Main Brush

1. Press the brush guard clips inwards to remove the brush guard and lift the brush out of the robot.

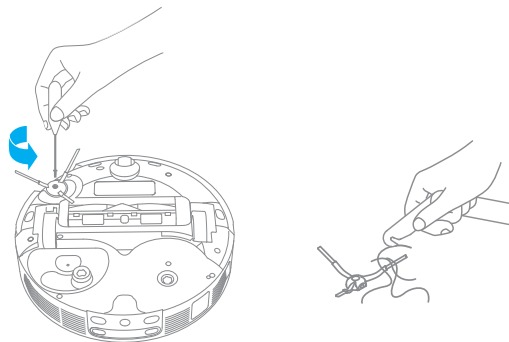


2. Pull out the brush covers at both ends of the brush as shown in the figure. Use the provided cleaning tool to remove any hair tangled in the brush. Reinstall the brush covers on both ends of the brush, and then reinstall the brush. Press on the brush guard to lock it in place.



Side Brush

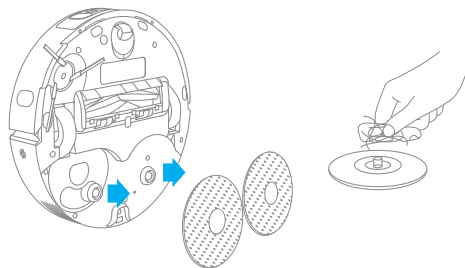
Unscrew the side brush with a screwdriver, clean the hair from the brush, and then screw it back on.



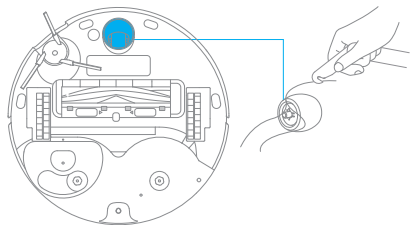
Routine Maintenance

Mop Pad Holder

Remove and clean the mop pad holder.



Omnidirectional Wheel

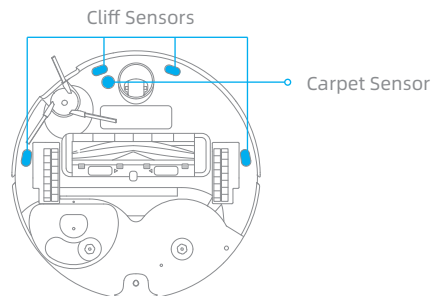
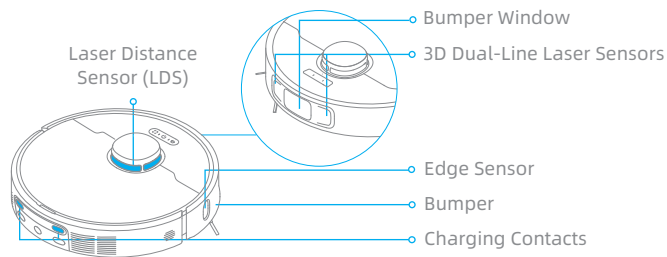


Note:

- Use a tool such as a small screwdriver to separate the axle and tire of the omnidirectional wheel. Do not use excessive force.
- Rinse the omnidirectional wheel under the running water and put it back after drying it completely.

Robot Sensors and Charging Contacts

Wipe sensors and charging contacts of the robot by using a soft and dry cloth, as shown in the below figure:

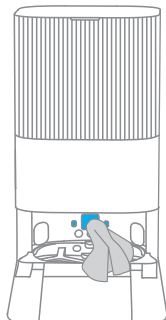


Note: A wet cloth can damage sensitive elements within the robot and the base station. Please use a dry cloth for cleaning.

Routine Maintenance

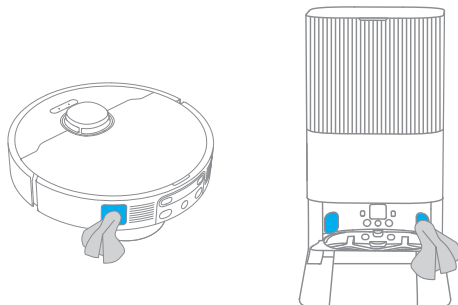
Charging Contacts

Clean the charging contacts and the signaling area of the base station with a soft and dry cloth.



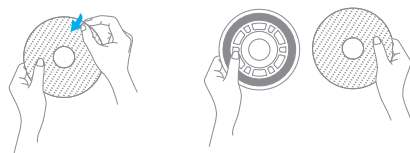
Auto-empty Vents

Clean the auto-empty vents of the robot and the base station with a soft and dry cloth.





Mop Pad


Remove the mop pad from the mop pad holder to replace it.



Battery

The robot contains a high-performance lithium-ion battery pack. Make sure that the battery remains well-charged for daily use to maintain optimal battery performance. If the robot is not used for an extended period of time, turn it off and put it away. To prevent damage from over-discharging, charge the robot at least once every three months.

Problem	Solution
The robot will not turn on.	<p>The battery is low. Recharge the robot on the base and try again.</p> <p>The temperature of the battery is too low or too high. It is recommended to operate the appliance at a temperature between 32°F (0°C) and 104°F (40°C).</p>
The robot will not charge.	<p>The base station is not connected to power, please make sure both ends of its power cord are correctly plugged in.</p> <p>The contact between the charging contacts on the base station and the robot is poor, please clean the charging contacts.</p> <p>Check whether there is any foreign object at the connector of the robot and remove the foreign object if any.</p>
The robot fails to connect to Wi-Fi.	<p>The Wi-Fi network password is incorrect. Make sure the password used to connect to your Wi-Fi network is correct.</p> <p>The robot does not support a 5 GHz Wi-Fi connection. Make sure the robot is connected to a 2.4 GHz Wi-Fi connection.</p> <p>The Wi-Fi signal is weak. Make sure the robot is in an area with good Wi-Fi coverage.</p> <p>The robot may not be ready to be configured. Please exit and re-enter the app, and then try again as instructed.</p>
The robot cannot find and return to the base station.	<p>The base station is disconnected from power or moved when the robot is not on it. Please connect the base station to the power supply or place the robot onto the base station to charge.</p> <p>There are too many obstructions around the base station. Place the base station in a more open area.</p> <p>Moving the robot may cause it to re-position itself, and it will recreate a map if re-positioning fails. If the robot is too far from the base station, it might not be able to automatically return on its own, in which case you will need to manually place the robot onto the base station.</p> <p>Wipe the signaling area on the base station to remove dust or debris.</p>
The robot gets stuck in front of the base station and cannot return to it.	<p>Clear any obstruction within 5 cm on the left and right sides or within 1.5 m in front of the base station to prevent the robot from being blocked.</p> <p>The route for returning to charge is blocked, e.g. the door is closed.</p> <p>The robot may slip if the floor in front of the base station is overly wet. If so, clean the excess water before trying again.</p> <p>It is recommended to move the base station to a different place and try again.</p> <p>Make sure the ramp extension plate is installed properly.</p>
The robot will not turn off.	<p>The robot cannot be turned off when it is charging. It is recommended to move the robot from the base station, and then press and hold the button  for 3 seconds to turn it off.</p> <p>If the robot cannot be turned off by performing step 1, press and hold the button  for 10 seconds to forcibly turn off the robot. If the problem persists, please contact after-sales service.</p>

Problem	Solution
The charging speed is slow.	<p>It takes about 4.5 hours to fully charge the robot when its battery is low.</p> <p>If you operate the robot at temperatures outside of the specified range, the charging speed will automatically slow down to extend the battery life.</p> <p>The charging contacts on both the robot and the base may be dirty, please wipe them with a dry cloth.</p>
The noise increases while the robot is operating.	<p>Check whether the dust box filter is clogged. If so, clean it or replace it.</p> <p>A hard object may be caught in the main brush or the dust box. Check and remove any hard object.</p> <p>The main brush or the side brush may become tangled. Check and remove any foreign objects.</p> <p>Switch the suction mode to Standard or Quiet.</p>
The robot moves without following the set route.	<p>Objects such as power cords and slippers should be organized before using the robot.</p> <p>Working on wet slippery surfaces causes the main wheel to slip. It is recommended to dry the wet places before using the robot.</p> <p>Wipe the bumper window and 3D dual-line laser sensors on the robot with a clean, soft cloth to keep them clean and unobstructed.</p>
The robot misses the rooms to be cleaned.	<p>Make sure that the doors of the rooms to be cleaned are open.</p> <p>Check whether there is a threshold higher than about 2 cm at the door of the room. The robot cannot climb over high thresholds or steps.</p> <p>The place in front of the room to be cleaned may be wet and slippery, causing the robot to slip and work abnormally. Please try drying the floor before using the robot.</p>
The robot will not resume cleaning after charging.	<p>Make sure that the robot is not set to the Do Not Disturb (DND) mode, which will prevent it from resuming cleaning.</p> <p>The robot will not resume cleaning after you manually place the robot on the base station or send the robot to charge via the app or the button .</p>

Problem	Solution
The station cannot automatically empty the dust box.	Check whether the dust bag in the dust tank is full. If the dust bag is not full, check whether there is any obstruction at the auto-empty vents of the robot, the base station, or the dust box. If any, clean the blocked part in time.
The water level in the washboard is abnormal.	Check whether the seal on the used water tank is loose or not correctly installed, and manually reset it if so. If the problem persists, please contact the after-sales service team. Gently press down on the used water tank to make sure it is installed correctly. Remove the washboard and check whether the sewage drain is blocked and clean it. Check the cleaning solution. Do not add any liquid other than the officially-approved cleaning solution.
The mop pad holder is raised abnormally.	Please remove the mop pad holder to check if there is any foreign object stuck in it, and try to restart the robot. If the problem persists, please contact the after-sales service team.
There is water under the clean water tank or around the seal.	When taking out the clean water tank, some water in the pipe may be left under the tank or around the seal. This is normal. Please wipe with a dry cloth.

For more support, contact us via <https://global.dreametech.com>

Robot

Model	RLX63CE/RLX63CE-2
Charging Time	Approx. 4.5 hours
Rated Voltage	14.4 V $\overline{=}$
Rated Power	75 W
Operation Frequency	2400-2483.5 MHz
Maximum Output Power	<20 dBm

Base Station

Model	RCXE0307/RCXE0307-5
Rated Input	220-240 V ~ 50-60 Hz
Rated Output	20 V $\overline{=}$ 2 A
Rated Power (during dust emptying)	700 W
Rated Power (during hot water cleaning)	1160 W
Rated Power (during charging and drying)	89 W

Under normal use of condition, this equipment should be kept a separation distance of at least 20 cm between the antenna and the body of the user.

Note:

- Rated Power (during hot water cleaning) is determined by the power value during the representative period (water temperature 25°C).
- Rated Power (during charging and drying) is determined by the power value during full load period.

Battery Disposal and Removal

The built-in lithium-ion battery contains substances that are hazardous to the environment. Before disposing of the battery, make sure the battery is removed by qualified technicians and discarded at an appropriate recycling facility.

- the battery must be removed from the appliance before it is scrapped;
- the appliance must be disconnected from the supply mains when removing the battery;
- the battery is to be disposed of safely.

CAUTION:

Before removing the battery, disconnect the power and run out the battery as much as possible.

Unneeded batteries should be discarded at an appropriate recycling facility.

Do not expose to high temperature environment to avoid risks of explosion.

Under abusive conditions, liquid may be ejected from the battery. If contact occurs, flush with water and seek medical help.

Removal Guide:

1. Turn over the robot, use a proper tool to remove the screws on the back of the robot, and then remove the cover.
2. Unplug the terminals between the battery and PCB board to remove the battery.

WEEE Information



All products bearing this symbol are waste electrical and electronic equipment (WEEE as in directive 2012/19/EU) which should not be mixed with unsorted household waste. Instead, you should protect human health and the environment by handing over your waste equipment to a designated collection point for the recycling of waste electrical and electronic equipment, appointed by the government or local authorities. Correct disposal and recycling will help prevent potential negative consequences to the environment and human health. Please contact the installer or local authorities for more information about the location as well as terms and conditions of such collection points.

Lesen Sie die Bedienungsanleitung vor der Verwendung des Geräts sorgfältig durch und bewahren Sie sie zum späteren Nachschlagen auf, um Stromschläge, Brände oder Verletzungen durch unsachgemäßen Gebrauch des Geräts zu vermeiden.

Benutzungs- einschränkungen

- Um einen sicherer Betrieb dieses Produkts zu gewährleisten und um jegliche Risiken zu vermeiden, darf es nicht von Kindern unter 8 Jahren oder von Personen mit körperlichen, sensorischen oder intellektuellen Defiziten bzw. eingeschränkter Erfahrung oder Kenntnissen ohne die Aufsicht der Eltern oder eines Erziehungsberechtigten benutzt werden. Reinigung und Wartung dürfen nicht von Kindern ohne Aufsicht durchgeführt werden.
- Das Gerät darf nur mit dem mitgelieferten Netzteil verwendet werden.
- Dieses Gerät enthält Akkus, die nur von Fachpersonal ausgetauscht werden können.
- Räumen Sie den zu reinigenden Bereich ab. Kinder dürfen nicht mit dem Gerät spielen. Achten Sie auf einen sicheren Abstand zwischen Kindern und Haustieren und dem Roboter, während dieser in Betrieb ist.
- Das Gerät darf nicht in Badezimmern oder in der Nähe von Schwimmbecken installiert, aufgeladen oder verwendet werden.
- Dieses Produkt ist nur für die Bodenreinigung in Wohnräumen geeignet. Verwenden Sie es nicht im Freien, auf anderen Oberflächen als Bodenbeläge oder in einer gewerblichen oder industriellen Umgebung.
- Stellen Sie sicher, dass das Gerät in einer geeigneten Umgebung ordnungsgemäß funktioniert. Andernfalls dürfen Sie das Gerät nicht verwenden.
- Bei Beschädigung des Netzkabels muss es durch ein spezielles Kabel oder eine spezielle Einheit ersetzt werden, die Sie beim Hersteller oder seinem Kundendienst

Benutzungseinschränkungen

- erhalten können.
- Benutzen Sie den Roboter nicht in einem Bereich, der über dem Boden freisteht, ohne dass eine Schutzbarriere vorhanden ist.
- Stellen Sie den Roboter nicht auf den Kopf. Nutzen Sie die LDS-Abdeckung, die Roboterabdeckung oder den Stoßfänger nicht als Griff für den Roboter.
- Betreiben Sie den Roboter in einer Umgebung mit einer Temperatur von über 0 °C und unter 40 °C. Achten Sie darauf, dass sich keine Flüssigkeiten oder klebrigen Substanzen auf dem Boden befinden.
- Entfernen Sie vor dem Betrieb des Geräts alle freistehenden Gegenstände vom Boden, sowie alle auf dem Reinigungspfad herumliegenden Kabel oder Netzkabel, um Schäden bzw. Verletzungen durch Nachziehen zu vermeiden.
- Entfernen Sie zerbrechliche oder kleine Gegenstände vom Boden, um eine Kollision des Roboters mit diesen Gegenständen und deren Beschädigung zu vermeiden.
- Halten Sie Haare, Finger und andere Körperteile von der Saugöffnung des Roboters fern.
- Bewahren Sie das Reinigungswerkzeug außerhalb der Reichweite von Kindern auf.
- Betreiben Sie das Gerät nicht in einem Zimmer mit schlafenden Säuglingen oder Kindern.
- Verhindern Sie, dass sich Kinder, Haustiere oder andere Gegenstände auf den Roboter befinden, unabhängig davon, ob er steht oder sich bewegt.
- In den Frischwasserbehälter darf nur sauberes Wasser und die offiziell zugelassene Reinigungsflüssigkeit eingefüllt werden. Fügen Sie keine anderen

Benutzungs- einschränkungen

Flüssigkeiten wie z. B. Alkohol oder Desinfektionsmittel hinzu. Das richtige Mischungsverhältnis von Reinigungsflüssigkeit und sauberem Wasser steht auf der Flasche mit der Reinigungsflüssigkeit. Bewahren Sie die Reinigungsflüssigkeit außerhalb der Reichweite von Kindern auf.

- Verwenden Sie den Roboter nicht zum Reinigen im Falle von brennenden Gegenständen. Verwenden Sie den Roboter nicht, um entflammbare oder brennbare Flüssigkeiten, ätzende Gase oder unverdünnte Säuren oder Lösungsmittel aufzusaugen.
- Keine harten oder scharfen Gegenstände aufsaugen. Verwenden Sie das Gerät nicht zum Aufsaugen von Gegenständen wie Steinen, großen Papierstücken oder anderen Gegenständen, die zur Verstopfung des Geräts führen können.
- Vor der Reinigung oder Wartung des Geräts muss der Stecker aus der Steckdose gezogen werden.
- Wischen Sie den Roboter oder die Basisstation nicht mit einem feuchten Tuch ab und spülen Sie diese nicht mit Flüssigkeiten aus. Lassen Sie die abwaschbaren Teile nach der Reinigung vollständig trocknen, bevor Sie sie wieder einbauen und benutzen.
- Verwenden Sie dieses Gerät gemäß den Anweisungen im Benutzerhandbuch. Der Benutzer ist für alle auf Grund einer unsachgemäßen Verwendung dieses Produkts entstandenen Verluste oder Schäden verantwortlich.
- Verwenden Sie keine Akkus oder eine Basisstation von externen Anbietern. Der Roboter kann nur mit der Basisstation Modell RCXE0307/RCXE0307-5 verwendet werden.
- Versuchen Sie nicht, den Akku oder die Basisstation selbst zu zerlegen, zu reparieren oder zu verändern.

Akkus und Aufladen

Sicherheitshinweise

Akkus und Aufladen

- Stellen Sie die Basisstation nicht in der Nähe einer Wärmequelle auf.
- Reinigen Sie die Ladekontakte der Basisstation niemals mit einem feuchten Tuch oder nassen Händen.
- Entsorgen Sie alte Akkus nicht unsachgemäß. Nicht mehr benötigte Akkus sind in einer geeigneten Recyclingeinrichtung zu entsorgen.
- Im Falle einer Beschädigung oder eines Defekts des Netzkabels stellen Sie die Verwendung sofort ein und wenden Sie sich an den Kundendienst.
- Achten Sie darauf, dass der Roboter beim Transport ausgeschaltet ist und möglichst in seiner Originalverpackung aufbewahrt wird.
- Bei längerer Nichtbenutzung des Roboters sollte er vollständig aufgeladen, danach ausgeschaltet und an einem kühlen, trockenen Ort aufbewahrt werden. Laden Sie den Roboter mindestens einmal alle 3 Monate auf, um eine Tiefentladung des Akkus zu vermeiden.

Informationen zur Lasersicherheit

- Der Lasersensor in diesem Produkt entspricht der Norm IEC 60825-1:2014/EN 60825-1:2014/A11:2021 für Laserprodukte der Klasse 1. Bei der Verwendung ist direkter Augenkontakt zu vermeiden.

LASERPRODUKT DER KLASSE 1

LASERPRODUKT FÜR VERBRAUCHER

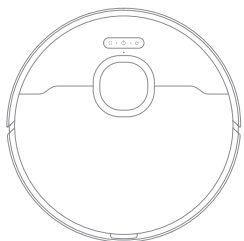
EN 50689:2021

Hiermit erklärt Dreame Trading (Tianjin) Co., Ltd. dass das Funkgerät des Typs RLX63CE/RLX63CE-2 den Anforderungen der Richtlinie 2014/53/EU entspricht. Der vollständige Text der EU-Konformitätserklärung kann unter folgender Internetadresse eingesehen werden:

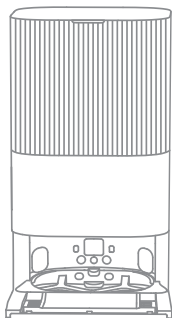
<https://global.dreametech.com>

Ein ausführliches elektronisches Handbuch finden Sie unter <https://global.dreametech.com/pages/user-manuals-and-faqs>.

Packungsinhalt
(Dreame X40 Ultra)



Roboter



Basisstation

Anderes Zubehör



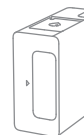
Netz kabel



Rampenverlängerungsplatte
der Basisstation



Benutzerhandbuch



Reinigungsmittelfach für
automatisches Hinzufügen
(vorinstalliert)



Wischpad × 2
(vorinstalliert)



Wischpadhalter × 2



Staubsaugerbeutel × 2
(1 vorinstalliert)



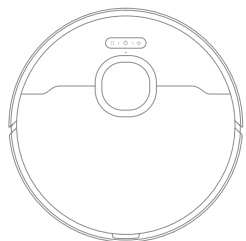
Reinigungswerkzeug



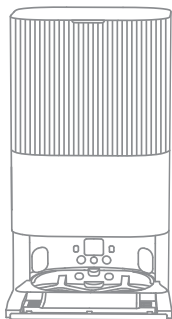
Reinigungsflüssigkeit

Produktübersicht

Packungsinhalt (Dreame X40 Ultra Complete)



Roboter

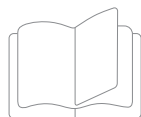


Basisstation

Anderes Zubehör



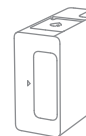
Netz Kabel



Benutzerhandbuch



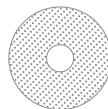
Rampenverlängerungsplatte
der Basisstation



Reinigungsmittelfach für
automatisches Hinzufügen
(vorinstalliert)



Reinigungswerkzeug



Wischpad × 2
(vorinstalliert)



Wischpadhalter × 2



Staubsaugerbeutel × 2
(1 vorinstalliert)

Extra Zubehörsatz



Hauptbürste × 1



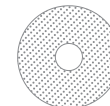
Seitenbürste × 2



Staubbehälter-
filter × 3



Staubsauger-
beutel × 3

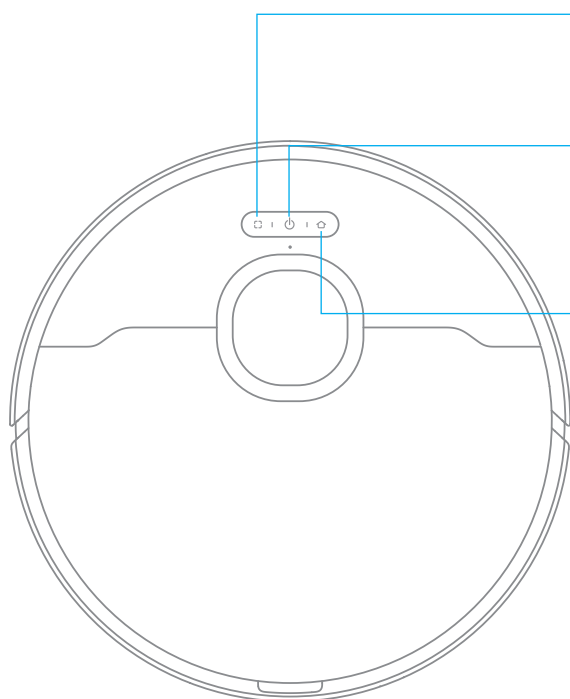


Wischpad × 12



Reinigungsflüs-
sigkeit × 1

Roboter



 **Taste für die Punktreinigung**

- Drücken Sie diese Taste, um die Punktreinigung zu starten

 **Einschalt-/ Reinigungstaste**

- Halten Sie die Taste 3 Sekunden lang gedrückt, um das Gerät ein- oder auszuschalten
- Drücken Sie diese Taste, um die Reinigung nach dem Einschalten des Roboters zu starten

 **Andock-Taste**

- Drücken Sie diese Taste für die Rückkehr des Roboters zur Basisstation
- Halten Sie die Taste 3 Sekunden lang gedrückt, um die Kindersicherung zu deaktivieren

Status-Anzeige

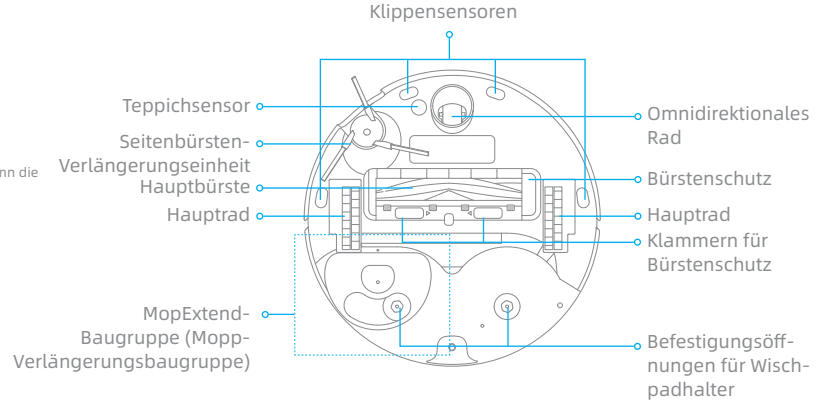
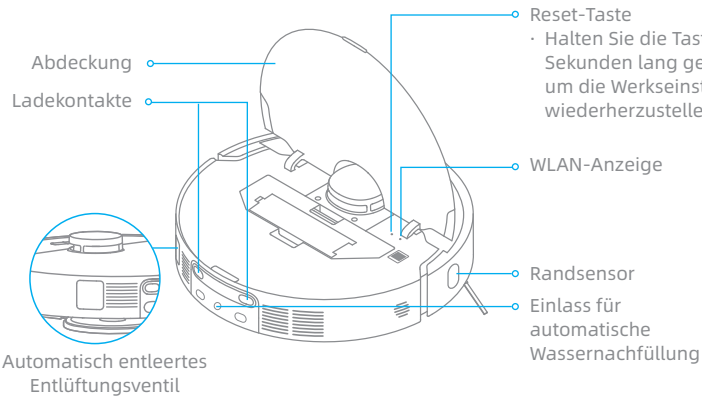
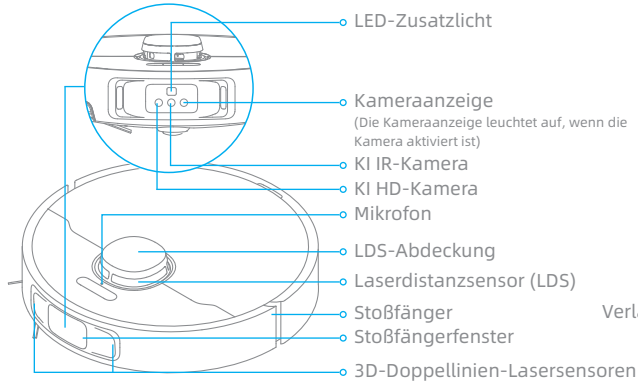
- Leuchtet Weiß: Reinigung oder Säuberung abgeschlossen
- Hauchend Weiß: Aufladen (bei nicht zu niedrigem Akkustand)
- Leuchtet orange: Stand-by bei niedrigem Akkustand oder angehalten bei niedrigem Akkustand
- Hauchend Orange: Aufladen (bei niedrigem Akkustand)
- Blinkt Orange: Fehler

Hinweis:

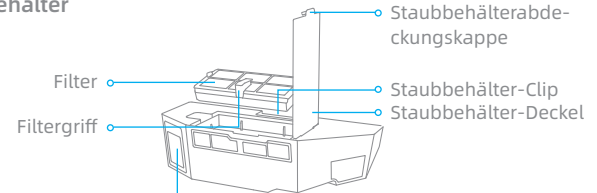
- Durch Drücken einer beliebigen Taste am Roboter können Sie den Reinigungsvorgang unterbrechen oder den Roboter zum Aufladen zurückkehren zu lassen.
- Die Kindersicherung kann über die Dreamehome App aktiviert/ deaktiviert werden.

Produktübersicht

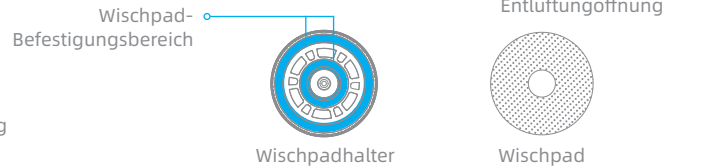
Roboter und Sensoren



Staubbehälter

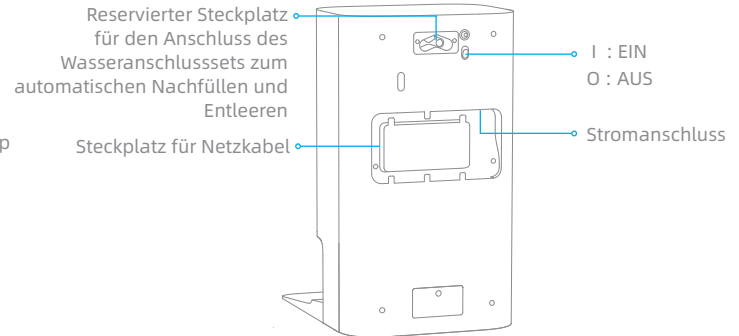
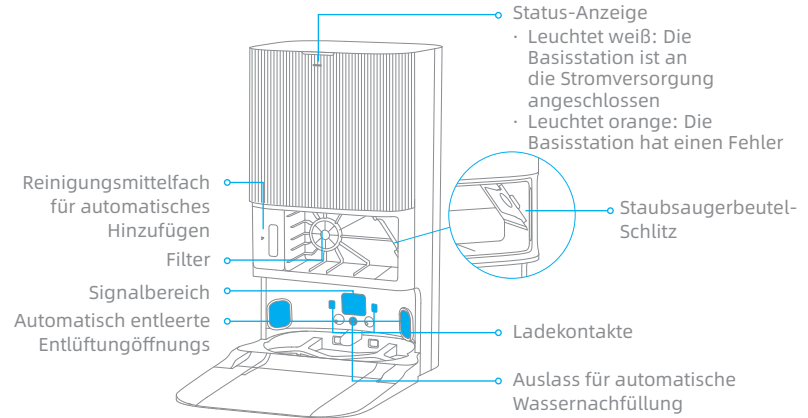
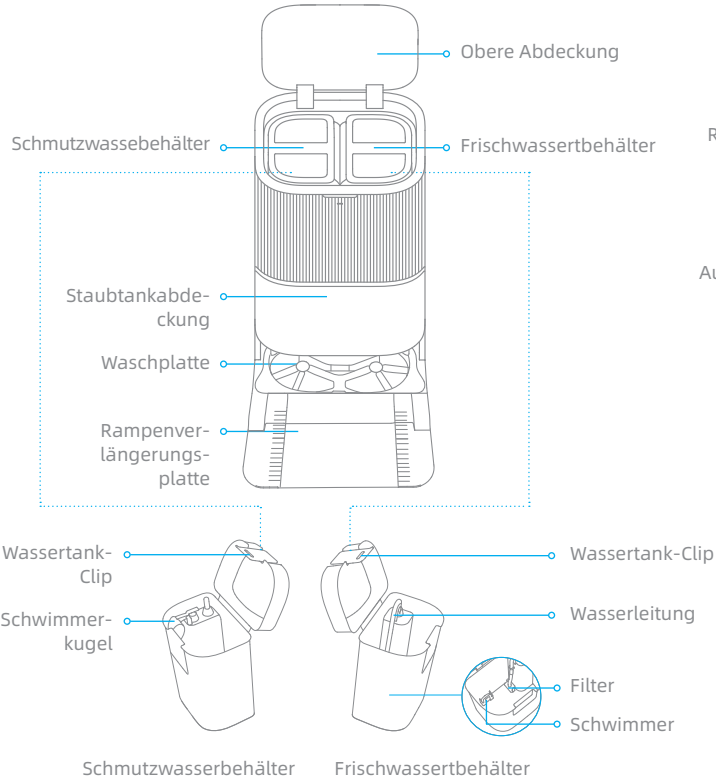


Wischmopp-Baugruppe



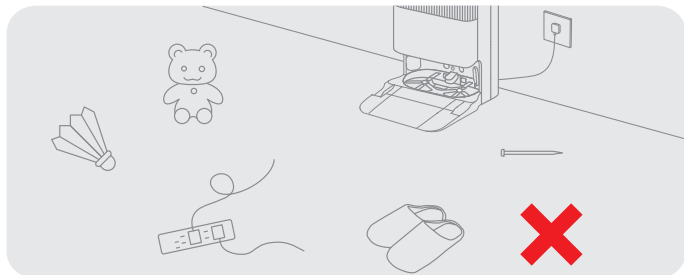
Produktübersicht

Basisstation

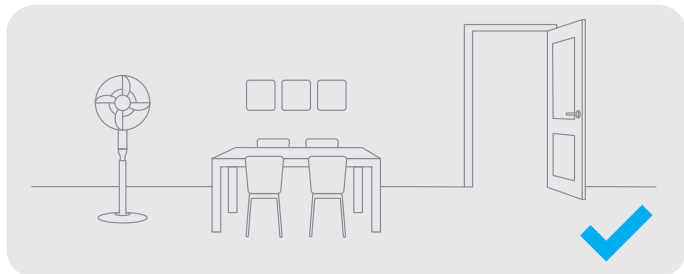


Hinweis: Das Wasseranschlusset für das automatische Nachfüllen und Entleeren muss separat erworben werden (nur in bestimmten Regionen verfügbar).

Ihr Zuhause vorbereiten



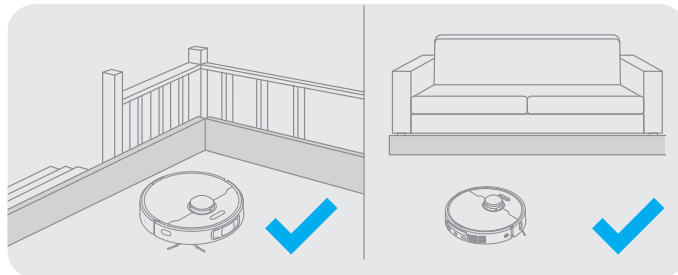
Entfernen Sie vor der Reinigung instabile, zerbrechliche, wertvolle oder gefährliche Gegenstände und räumen Sie Kabel, Tücher, Spielzeug, harte und scharfe Gegenstände vom Fußboden auf, um ein Verfangen, Zerkratzen oder Umfallen des Roboters und damit verbundene Verluste zu vermeiden.



Öffnen Sie die Tür des zu reinigenden Raumes und stellen Sie die Möbel in die geeignete Position, um mehr Platz zu schaffen.

Hinweis:

- Folgen Sie dem Roboter bei der ersten Inbetriebnahme während des Reinigungsvorgangs, um mögliche Hindernisse rechtzeitig zu entfernen.
- LED-Zusatzlicht sorgt für zusätzliche Beleuchtung in schwach beleuchteten Umgebungen.
- Saugen Sie keine harten Gegenstände wie Steine, Stahlkugeln und Spielzeugteile oder scharfe Gegenstände wie Bauschutt, Glasscherben und Nägel auf, da dadurch der Boden verkratzt werden kann.



Montieren Sie vor der Reinigung die physische Barriere an den Kanten von Treppen und Möbeln, um dem Roboter ein reibungsloses Arbeiten zu ermöglichen.

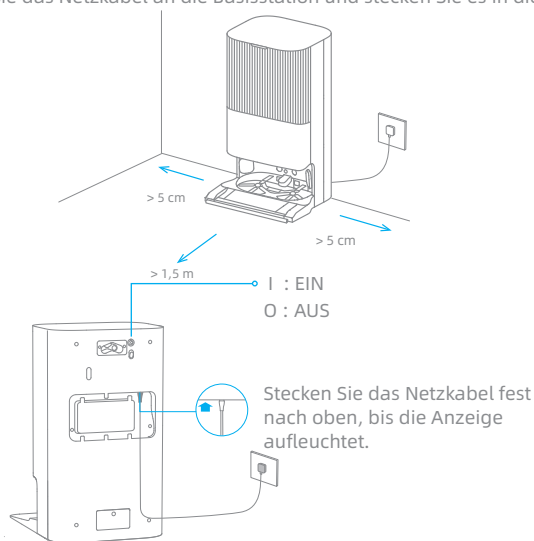


Um zu verhindern, dass der Roboter die zu reinigenden Bereiche nicht erkennt, sollten Sie sich nicht vor dem Roboter, vor Schwellen, Fluren oder engen Stellen aufhalten.

Vor der Verwendung

1. Stellen Sie die Basisstation auf und stecken Sie den Stecker in die Steckdose

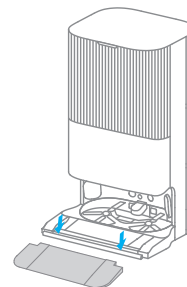
Stellen Sie die Basisstation an einem möglichst freistehenden Ort mit gutem WLAN-Signal auf. Entfernen Sie alle Gegenstände, die sich näher als 1,5 m von der Vorderseite und 5 cm von jeder Seite der Basisstation befinden. Schließen Sie das Netzkabel an die Basisstation und stecken Sie es in die Steckdose.



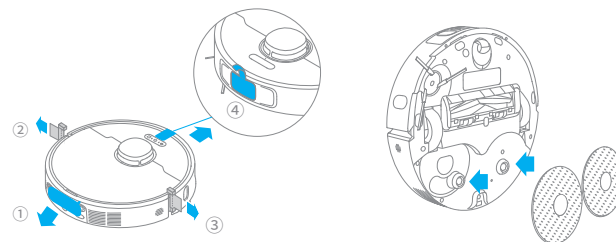
Hinweis:

- Achten Sie darauf, dass keine Gegenstände den Signalisierungsbereich blockieren.
- Um zu verhindern, dass Wasserflecken Holzböden oder Teppiche nassen, empfiehlt es sich, die Basisstation auf Fliesen- oder Marmorfußböden zu stellen.

2. Installation der Rampenverlängerungsplatte




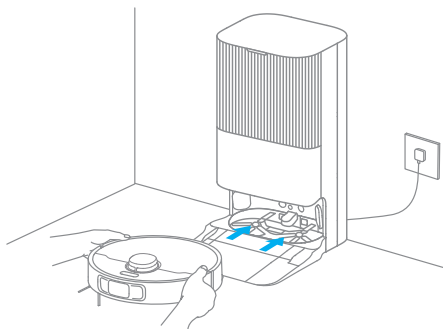
3. Entfernen Sie die Roboterschutzvorrichtungen und installieren Sie die Mopp-Baugruppe



Vor der Verwendung

4. Den Roboter mit der Ladestation verbinden

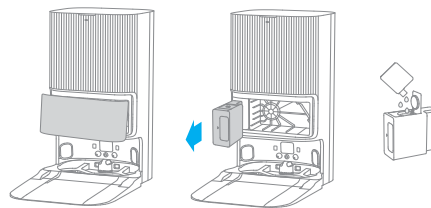
Zum Einschalten des Roboters die Taste  am Roboter drücken und 3 Sekunden lang gedrückt halten. Setzen Sie den Roboter so auf die Basisstation, dass die Mopp-Baugruppe zur Waschplatte zeigt. Anschließend hören Sie eine Sprachmeldung, wenn sich der Roboter erfolgreich mit der Basisstation verbunden hat.



Hinweis: Es wird empfohlen, den Roboter vor der ersten Inbetriebnahme vollständig aufzuladen. Wenn sich der Roboter aufgrund eines leeren Akkus nicht einschalten lässt, verbinden Sie ihn zum Aufladen manuell mit der Basisstation.

5. Füllen Sie die Reinigungsflüssigkeit ein

- (1) Entfernen Sie die Abdeckung des Staubbehälters und ziehen Sie das Fach für automatische Nachfüllung des Reinigungsmittels heraus.
- (2) Öffnen Sie den oberen Deckel des Fachs und geben Sie die Reinigungslösung ein.
- (3) Schließen Sie den Deckel des Fachs, setzen Sie es wieder in die Basisstation ein, und bringen Sie dann die Abdeckung des Staubbehälters wieder an. Die Reinigungsflüssigkeit wird während des Betriebs automatisch zugeführt.

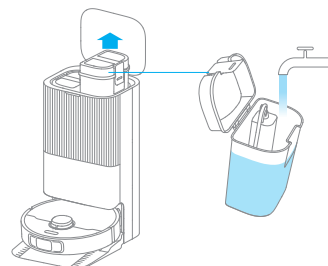


Hinweis:

- Fügen Sie keine anderen Flüssigkeiten als die offiziell zugelassene Reinigungsflüssigkeit hinzu, um Fehlfunktionen zu vermeiden.
- Installieren Sie das Fach für automatische Nachfüllung des Reinigungsmittels, bis es einrastet.

6. Wasser in den Frischwasserbehälter einfüllen

Nehmen Sie den Frischwasserbehälter aus der Basisstation heraus und füllen Sie den Behälter mit sauberem Wasser. Danach setzen Sie ihn wieder in die Basisstation ein.

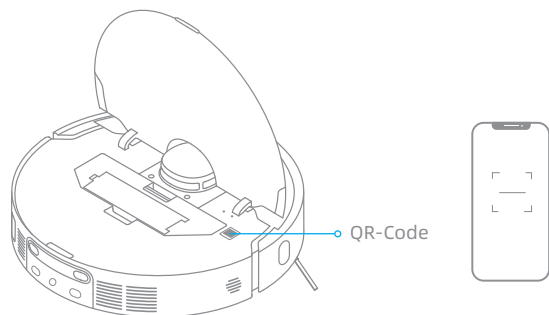


Hinweis: Füllen Sie kein heißes Wasser ein, da sonst der Frischwasserbehälter verformt werden kann.

Verbinden mit der Dreamehome App

1. Laden Sie die Dreamehome App herunter

Scannen Sie den QR-Code auf dem Roboter, oder suchen Sie im App-Store nach „Dreamehome“, um die App herunterzuladen und zu installieren.



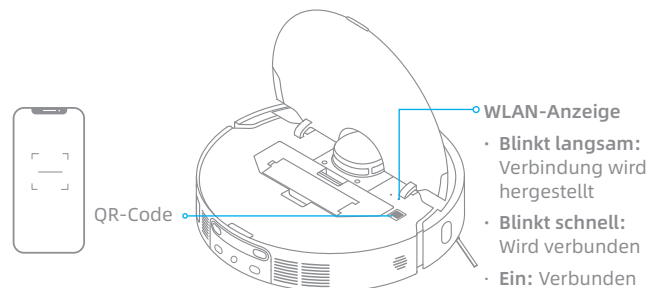
Hinweis:

- Es wird nur 2,4 GHz WLAN unterstützt.
- Aufgrund von Aktualisierungen der App-Software kann der tatsächliche Betrieb von den Anweisungen in dieser Anleitung abweichen. Bitte folgen Sie den auf der aktuellen App-Version basierenden Anweisungen.

2. Gerät hinzufügen



Öffnen Sie die „Dreamehome“ App, tippen Sie auf „+“ in der oberen rechten Ecke und scannen Sie den gleichen QR-Code auf dem Roboter erneut, um das Gerät hinzuzufügen. Bitte folgen Sie den Anweisungen, um die WLAN-Verbindung herzustellen.

Hinweis: Zum Zurücksetzen der WLAN-Verbindung wiederholen Sie Schritt 2 und folgen Sie den Anweisungen, um die WLAN-Verbindung zu erstellen.



Anwendung

Einschalten/Ausschalten

Zum Einschalten des Roboters halten Sie die Taste  3 Sekunden lang gedrückt. Die Betriebsanzeige sollte leuchten. Stellen Sie den Roboter auf die Basisstation. Der Roboter sollte sich automatisch einschalten und mit dem Aufladen beginnen. Um den Roboter auszuschalten, entfernen Sie den Roboter von der Basisstation und halten Sie die Taste  3 Sekunden lang gedrückt.

Schnelle Kartenerstellung

Nach der erstmaligen Konfiguration des Netzwerks folgen Sie zur schnellen Kartenerstellung den Anweisungen in der App. Der Roboter beginnt mit der Kartenerstellung ohne Reinigung. Wenn der Roboter zur Basisstation zurückkehrt, ist die Kartenerstellung abgeschlossen und die Karte wird automatisch gespeichert.

Pause/Ruhemodus

Wenn der Roboter läuft, drücken Sie eine beliebige Taste, um ihn anzuhalten. Wird der Roboter länger als 10 Minuten angehalten, geht er automatisch in den Ruhemodus über. Alle Anzeigen am Roboter schalten sich aus. Drücken Sie eine beliebige Taste auf dem Roboter, oder nutzen Sie die App, um den Roboter wieder in Betrieb zu nehmen.

Hinweis: Wird der Roboter ausgeschaltet und auf die Basisstation gestellt, endet die aktuelle Reinigungsaufgabe.

Reinigung automatisch fortsetzen

Wenn der Akku zu schwach ist, kehrt der Roboter automatisch zur Basisstation zum Aufladen zurück. Wenn der Akku ausreichend aufgeladen ist, setzt er die noch nicht abgeschlossenen Reinigungsaufgaben fort.

Hinweis: Zur Nutzung dieser Funktion müssen Sie diese in der App aktivieren.


Nicht-Stören-Modus (DND)

Ist der Roboter auf den Nicht-Stören-Modus (DND) eingestellt, kann er die Reinigung nicht fortsetzen und die Betriebsanzeige erlischt. Der Nicht-Stören-Modus (DND) ist ab Werk standardmäßig deaktiviert. Sie können den Nicht-Stören-Modus (DND) über die App aktivieren oder den DND-Zeitraum ändern. Der Nicht-Stören-Zeitraum (DND) ist standardmäßig auf 22:00-8:00 Uhr eingestellt.

Hinweis:

- Die geplanten Reinigungsaufgaben werden während des Nicht-Stören-Zeitraums (DND) wie gewohnt ausgeführt.
- Der Roboter wird die Reinigung fortsetzen, wo er nach Ablauf des DND-Zeitraums aufgehört hat.

Punktreinigung

Drücken Sie im Standby-Modus des Roboters kurz die Taste , um den Punktreinigungsmodus zu aktivieren. In diesem Modus reinigt der Roboter einen quadratischen Bereich von 1,5 × 1,5 Meter um ihn herum und kehrt zu seinem Ausgangspunkt zurück, sobald die Reinigung bestimmter Bereiche abgeschlossen ist.

Roboter neu starten


Wenn der Roboter nicht mehr reagiert oder sich nicht ausschalten lässt, halten Sie die Taste  10 Sekunden lang gedrückt, um ihn zwangsweise auszuschalten. Zum Einschalten des Roboters halten Sie dann die Taste  3 Sekunden lang gedrückt.

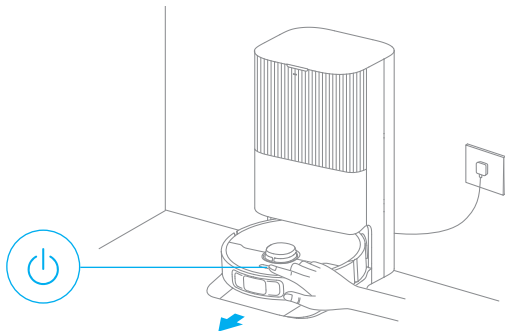
Anwendung

Staubsaugen und Wischen

Hinweis: Wenn Sie die Mopp-Baugruppe zum ersten Mal verwenden, führt der Roboter standardmäßig die Aufgabe „Staubsaugen und Wischen“ aus.

1. Reinigung starten

Drücken Sie die Taste  am Roboter oder nutzen Sie die App, um den Roboter von der Basisstation aus starten zu lassen. Dann plant der Roboter die optimale Reinigungsrouten und führt die Reinigungsaufgabe auf der Grundlage der erstellten Karte aus.

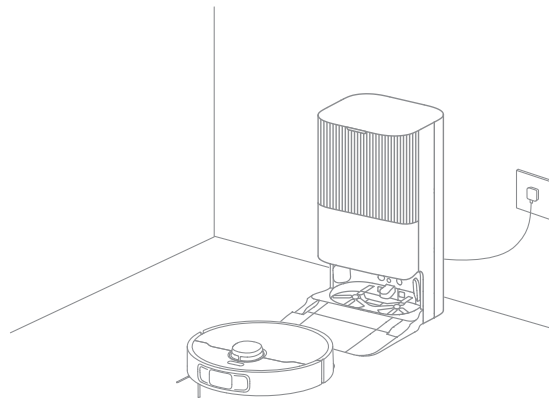


Hinweis:

- Um eine problemlose Rückkehr des Roboters zur Basisstation nach der Reinigung zu gewährleisten, empfiehlt es sich, den Roboter von der Basisstation aus starten zu lassen.
- Der Wischmopp wird gereinigt, bevor der Roboter mit dem Wischen beginnt, bitte warten Sie mit Geduld.
- Bewegen Sie die Basisstation, den Reinwassertank, den Schmutzwassertank oder das Waschbrett während der Reinigung nicht.
- Die Heißwasserreinigung kann in der App für die Reinigungsaufgaben des Mopps und der Waschplatten-Basis aktiviert werden, was für alle Modi gilt. Berühren Sie den Wasserauslass bei aktivierter Funktion nicht, um Verbrühungen zu vermeiden.

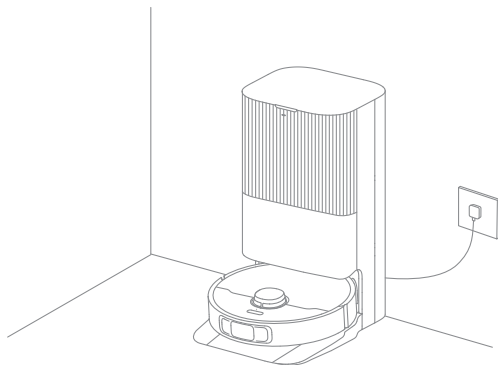
2. Automatisches Waschen des Wischmopps

Während der Reinigung kehrt der Roboter automatisch zur Basisstation zurück, um die Wischmopps zu waschen, je nach der in der App festgelegten Häufigkeit der Wischmoppreinigung. Die Basisstation füllt automatisch den Wasserbehälter des Roboters auf und der Roboter setzt die Reinigung fort.



3. Automatisches Entleeren des Staubbehälters und Waschen und Trocknen der Wischmopps

Nachdem der Roboter eine Reinigungsaufgabe erledigt hat und zum Aufladen zur Basisstation zurückkehrt, beginnt die Basisstation automatisch mit dem Entleeren des Staubbehälters. Anschließend wäscht und trocknet sie die Mopps.



Hinweis:

- Wenn die automatische Entleerungsfunktion in der App ausgeschaltet ist, leert die Basisstation den Staubbehälter nicht automatisch.
- Die Basisstation leert den Staubbehälter gemäß der Einstellung in der App.

4. Reinigen Sie den Schmutzwasserbehälter

Nachdem der Roboter seine Aufgabe erfüllt hat, reinigen Sie bitte den Schmutzwasserbehälter, um Geruchsbildung zu vermeiden.

Wischen nach dem Staubsaugen

Aktivieren Sie in der App die Funktion „Wischen nach dem Staubsaugen“. Der Roboter nimmt dann automatisch den Wischmopp an der Basisstation ab und staubsaugt den Boden. Nach Beendigung des Staubsaugens kehrt der Roboter zur Basisstation zurück, um die Mopp-Baugruppe zu installieren, und die Basisstation leert automatisch den Staubbehälter. Nach dem Anheben der Hauptbürste und der Seitenbürste beginnt der Roboter mit dem Wischen.

Nur Staubsaugen

Aktivieren Sie in der App die Funktion „Staubsaugen“. Der Roboter nimmt dann automatisch die Mopp-Baugruppe von der Basisstation ab und beginnt mit dem Staubsaugen.

Nur Wischen

Aktivieren Sie die Wischfunktion in der App, und der Roboter prüft automatisch, ob die Mopp-Baugruppe in der Basisstation installiert ist. Falls nicht, setzt der Roboter die Mopp-Baugruppe ein und beginnt nach Anheben der Hauptbürste und der Seitenbürste mit dem Wischen.

Teile

Um den Roboter in einem einwandfreien Zustand zu halten, wird empfohlen, in der App oder in der folgenden Tabelle die Hinweise zur regelmäßigen Wartung des Zubehörs zu beachten.

Teil	Wartungsintervall	Häufigkeit des Austausches
Schmutzwasserbehälter	Nach jedem Gebrauch	/
Reinwasserbehälter	Einmal alle 2 Wochen	Alle 6 bis 12 Monate
Hauptbürste		
Staubbehälterfilter		Alle 3 bis 6 Monate
Seitenbürste		/
Wischpadhalter		
Waschplatte	Einmal alle 2 Monate	/
Signalbereich der Basisstation	Einmal im Monat	/
Ladekontakte der Basisstation		
Automatisch entleerte Lüftungsöffnung der Basisstation		
Omnidirektionales Rad		
Randsensor		
Laserdistanzsensor (LDS)		
3D-Doppellinien-Lasersensoren		

Teil	Wartungsintervall	Häufigkeit des Austausches	
Teppichsensor	Einmal im Monat	/	
Klippensensoren			
Stoßfängerfenster			
Ladekontakte des Roboters			
Stoßfänger			
Automatisch entleerte Lüftungsöffnung des Roboters			
Öffnung für automatisches Wassernachfüllen des Roboters			
Unterseite des Roboters			
Staubbehälter			Nach Bedarf reinigen
Staubsaugerbeutel			/
Wischpad	Alle 1 bis 3 Monate		

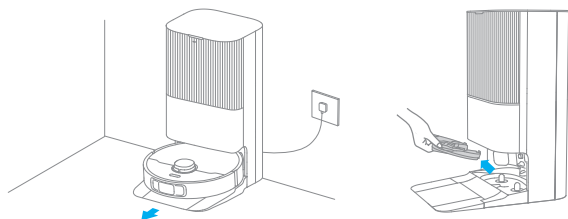
Hinweis: Die Austauschintervalle hängen von der Nutzung des Roboters ab. Sollte durch besondere Umstände eine Ausnahme auftreten, müssen die Teile ausgetauscht werden.

Regelmäßige Wartung

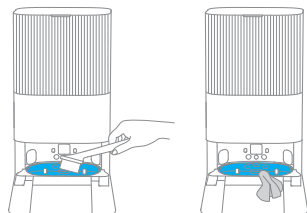
Waschplattenbasis

Die Basisstation führt eine Selbstreinigung der Waschplatte bei jeder Reinigung des Wischpads durch. Für die Tiefenreinigung beachten Sie bitte die folgenden Schritte.

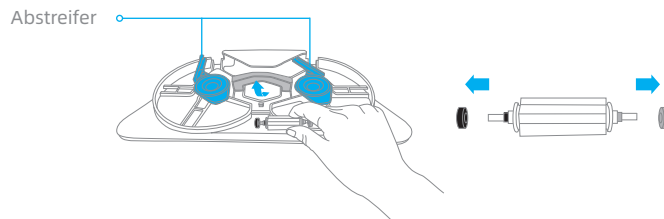
1. Aktivieren Sie die Funktion zur Reinigung der Waschplattenbasis in der App, und der Roboter verlässt die Basisstation automatisch. Nehmen Sie die Waschplatte heraus und warten Sie, bis sich die Waschplattenbasis mit Wasser füllt.



2. Reinigen Sie die Basis der Waschplatte mit dem Reinigungswerkzeug. Nach kurzer Zeit pumpt die Basisstation das Schmutzwasser automatisch ab. Wischen Sie die Basis der Waschplatte anschließend mit einem weichen, trockenen Tuch ab.



3. Drehen Sie die Waschplatte um, nehmen Sie nacheinander die Rollenabdeckung und die Rolle ab, und ziehen Sie dann die Endkappen der Rolle ab.

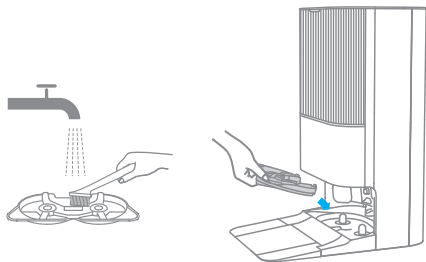



Hinweis: Wenn die Rollenabdeckung durch Abstreifer auf beiden Seiten der Waschplatte blockiert ist, drehen Sie die Rolle, um sie zur Seite zu schieben.

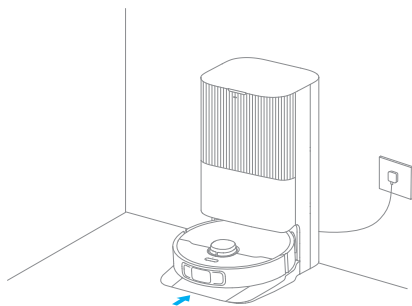
4. Entfernen Sie alle in der Rolle verhedderten Haare, und setzen Sie die Teile entsprechend den Farben wieder zusammen, wie in der Abbildung unten gezeigt.



5. Spülen Sie die Waschplatte mit sauberem Wasser ab, wischen Sie sie sauber und setzen Sie sie dann wieder schräg nach unten in die Basisstation ein.



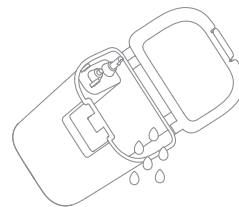
6. Nutzen Sie die App oder drücken Sie kurz die Taste  am Roboter, um ihn zur Basisstation zurückzuholen.



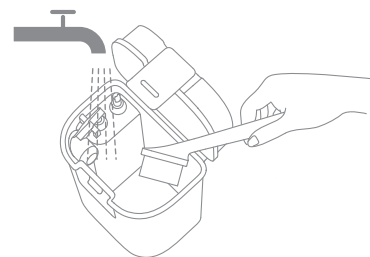
Hinweis: Lassen Sie den Roboter während der Reinigung nicht zur Basisstation zurückkehren.

Schmutzwasserbehälter

1. Entfernen Sie den Schmutzwasserbehälter, öffnen Sie den Deckel und gießen Sie das Schmutzwasser aus.



2. Spülen Sie den Schmutzwasserbehälter mit sauberem Wasser aus, und reinigen Sie die Innenwand des Schmutzwasserbehälters mit dem mitgelieferten Reinigungswerkzeug.

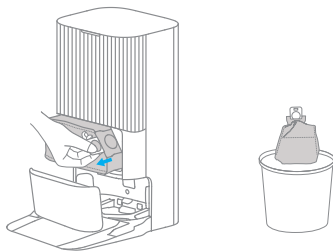


Hinweis: Die Schwimmerkugel im Schmutzwasserbehälter ist ein bewegliches Teil. Üben Sie beim Reinigen nicht zu viel Kraft aus, um sie nicht zu beschädigen.

Regelmäßige Wartung

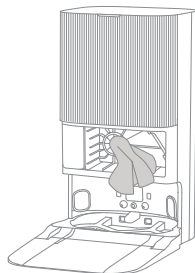
Staubsaugerbeutel

1. Entfernen Sie die Staubbehälterabdeckung und entsorgen Sie den Staubbeutel.

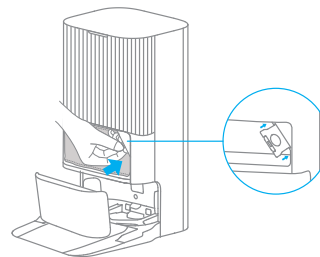


Hinweis: Wenn Sie den Griff nach oben ziehen, wird der Beutel verschlossen, damit Staub und Schmutz nicht versehentlich herausfallen können.

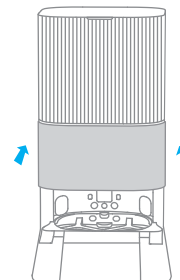
2. Entfernen Sie den Staub und die Verunreinigungen mit einem trockenen Tuch vom Filter.



3. Setzen Sie einen neuen Staubbeutel ein.

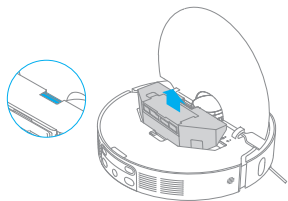


4. Bringen Sie die Staubbehälterabdeckung wieder an.

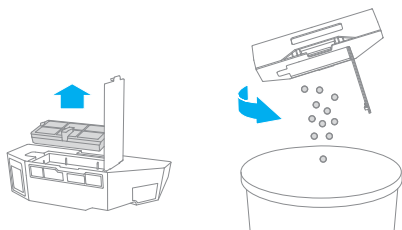


Staubbehälter und Filter

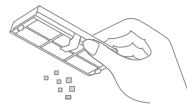
1. Öffnen Sie die Abdeckung des Roboters und drücken Sie den Staubbehälter-Clip, um den Staubbehälter zu entfernen.



2. Öffnen Sie die Staubbehälter-Abdeckung, entfernen Sie den Filter und leeren Sie den Staubbehälter wie in der Abbildung gezeigt.

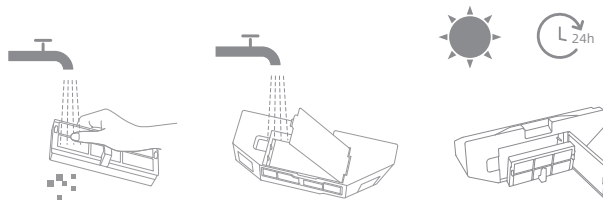


3. Klopfen Sie leicht auf den Korb des Filters, um den Schmutz zu entfernen.



Hinweis: Reinigen Sie den Filter niemals mit einer Bürste, einem Finger oder scharfen Gegenständen, um Schäden zu vermeiden.

4. Spülen Sie den Staubbehälter und den Filter mit Wasser ab und trocknen Sie sie vor dem Einbau vollständig ab.



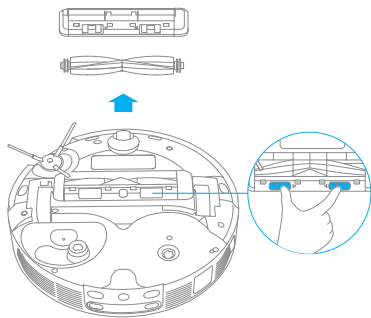
Hinweis:

- Spülen Sie den Staubbehälter und den Filter nur mit sauberem Wasser ab. Keine Reinigungsmittel verwenden.
- Verwenden Sie den Staubbehälter und den Filter nur, wenn sie vollständig trocken sind.

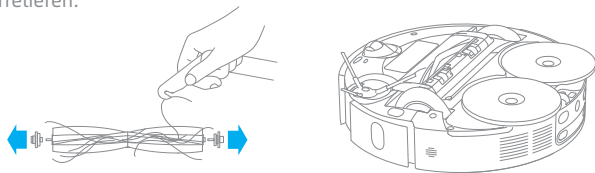
Regelmäßige Wartung

Hauptbürste

1. Drücken Sie den Bürstenschutz-Clip nach innen, um den Bürstenschutz zu entfernen und die Bürste aus dem Roboter zu heben.

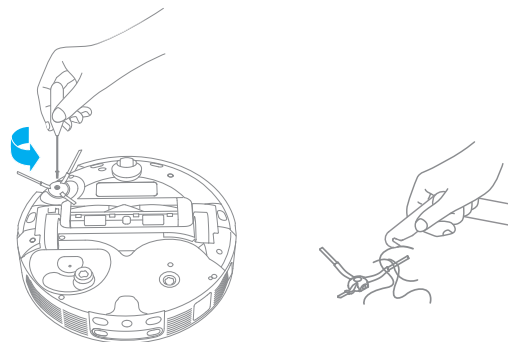


2. Ziehen Sie die Bürstenabdeckungen an beiden Enden der Bürste heraus, wie in der Abbildung gezeigt. Entfernen Sie mit dem mitgelieferten Reinigungswerkzeug alle in der Bürste verhedderten Haare. Bringen Sie die Bürstenabdeckungen an beiden Enden der Bürste wieder an und setzen Sie anschließend die Bürste wieder ein. Drücken Sie auf den Bürstenschutz, um ihn zu arretieren.



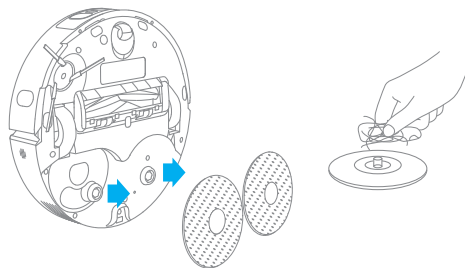
Seitenbürste

Schrauben Sie die Seitenbürste mit einem Schraubenzieher ab, reinigen Sie die Haare von der Bürste und schrauben Sie sie wieder an.

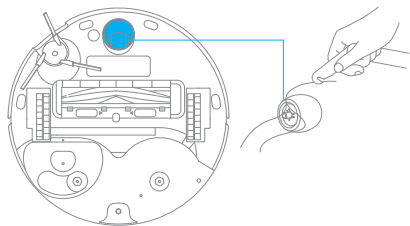


Wischpadhalter

Entfernen und reinigen Sie den Wischmophalter.



Omnidirektionales Rad

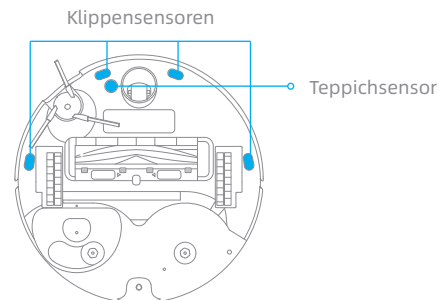
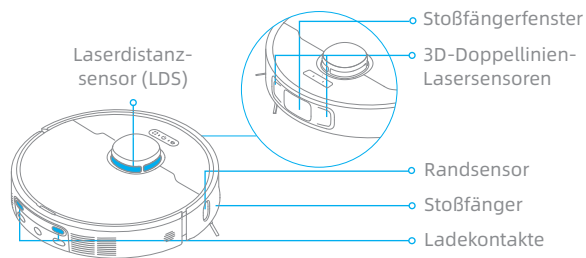


Hinweis:

- Trennen Sie die Achse und den Reifen des Rundlaufwads mit einem Werkzeug, z. B. einem kleinen Schraubendreher. Üben Sie dabei keine übermäßige Kraft aus.
- Spülen Sie das Rundlaufwrad unter fließendem Wasser ab und setzen Sie es nach dem vollständigen Trocknen wieder ein.

Sensoren und Ladekontakte des Roboters

Wischen Sie die Sensoren und Ladekontakte des Roboters mit einem weichen und trockenen Tuch ab, wie in der folgenden Abbildung dargestellt:

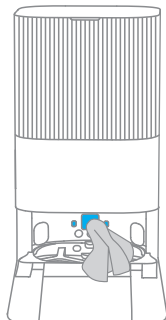


Hinweis: Ein feuchtes Tuch kann empfindliche Elemente im Inneren des Roboters und der Basisstation beschädigen. Bitte nutzen Sie ein trockenes Tuch zur Reinigung.

Regelmäßige Wartung

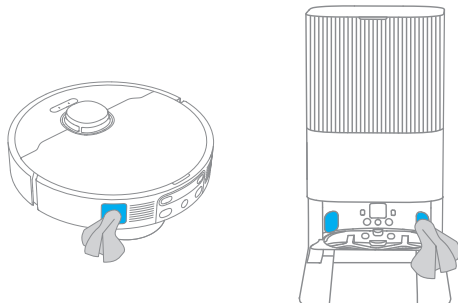
Ladekontakte

Reinigen Sie die Ladekontakte und den Signalisierungsbereich der Basisstation mit einem weichen, trockenen Tuch.



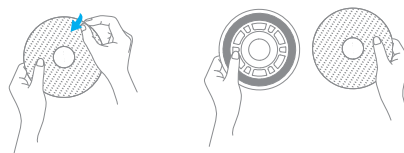
Automatisch entleerte Lüftungsöffnungen

Reinigen Sie die automatisch entleerte Entlüftungsventile des Roboters und der Basisstation mit einem weichen, trockenen Tuch.



Wischpad

Entfernen Sie das Wischpad aus dem Wischpadhalter, um es auszutauschen.






Akku

Der Roboter enthält einen leistungsstarken Lithium-Ionen-Akku. Achten Sie bei täglichem Gebrauch auf eine ausreichende Ladung des Akkus, um eine optimale Akkuleistung zu erhalten. Schalten Sie den Roboter bei längerem Nichtgebrauch aus und verstauen Sie ihn. Laden Sie den Roboter mindestens einmal alle drei Monate auf, um Schäden durch Überentladung zu vermeiden.

Fehlersuche und Fehlerbehebung

Problem	Lösung
Der Roboter lässt sich nicht einschalten.	Der Akku ist schwach. Laden Sie den Roboter an der Ladestation auf und versuchen Sie es dann erneut. Die Temperatur des Akkus ist zu niedrig oder zu hoch. Die empfohlene Betriebstemperatur des Geräts liegt zwischen 0 °C (32 °F) und 40 °C (104 °F).
Roboter lädt sich nicht auf.	Die Basisstation ist nicht an die Stromversorgung angeschlossen. Bitte stellen Sie sicher, dass beide Enden des Netzkabels korrekt angeschlossen sind. Der Kontakt zwischen den Ladekontakten an der Basisstation und dem Roboter ist schlecht, bitte reinigen Sie die Ladekontakte. Überprüfen Sie, ob sich am Anschluss des Roboters ein Fremdobjekt befindet, und entfernen Sie gegebenenfalls das Fremdobjekt.
Der Roboter kann keine Verbindung zum WLAN herstellen.	Das Passwort für das WLAN-Netzwerk ist falsch. Überprüfen Sie, ob das Passwort für die Verbindung mit Ihrem WLAN-Netzwerk korrekt ist. Der Roboter unterstützt keine 5 GHz-WLAN-Verbindung. Stellen Sie sicher, dass der Roboter mit einer 2,4-GHz-WLAN-Verbindung verbunden ist. Das WLAN-Signal ist schwach. Stellen Sie sicher, dass sich der Roboter in einem Gebiet mit guter WLAN-Abdeckung befindet. Der Roboter ist möglicherweise nicht für die Konfiguration bereit. Beenden Sie die App, starten Sie diese erneut, und versuchen Sie es dann noch einmal wie angewiesen.
Der Roboter findet nichts und kehrt zur Basisstation zurück.	Die Basisstation ist nicht an das Stromnetz angeschlossen oder wurde bewegt, während der Roboter nicht auf ihr steht. Bitte schließen Sie die Basisstation an das Stromnetz an oder stellen Sie den Roboter zum Aufladen auf die Basisstation. Es gibt zu viele Hindernisse um die Basisstation herum. Platzieren Sie die Basisstation in einen freistehenden Bereich. Wenn der Roboter bewegt wird, muss er sich möglicherweise neu positionieren, und er erstellt eine neue Karte, wenn die Neupositionierung fehlschlägt. Wenn der Roboter zu weit von der Basisstation entfernt ist, kann er möglicherweise nicht automatisch zurückkehren. In diesem Fall müssen Sie den Roboter manuell auf die Basisstation stellen. Wischen Sie den Signalisierungsbereich an der Basisstation ab, um Staub oder Schmutz zu entfernen.
Der Roboter bleibt vor der Basisstation stecken und kann nicht zu ihr zurückkehren.	Entfernen Sie alle Hindernisse innerhalb von 5 cm auf der linken und rechten Seite oder innerhalb von 1,5 m vor der Basisstation, um eine Blockierung des Roboters zu vermeiden. Der Weg für die Rückkehr zum Aufladen ist blockiert, z. B. die Tür ist geschlossen. Der Roboter kann wegrutschen, wenn der Boden vor der Basisstation übermäßig nass ist. Wenn dies der Fall ist, entfernen Sie zunächst das überschüssige Wasser, bevor Sie es erneut versuchen. Es wird empfohlen, die Basisstation an einen anderen Ort zu stellen und es erneut zu versuchen. Vergewissern Sie sich, dass die Rampenverlängerungsplatte richtig installiert ist.

Problem	Lösung
Der Roboter lässt sich nicht ausschalten.	Der Roboter kann während des Ladevorgangs nicht ausgeschaltet werden. Zum Ausschalten des Roboters wird empfohlen, ihn von der Basisstation zu entfernen und die Taste  3 Sekunden lang gedrückt zu halten. Wenn sich der Roboter durch Ausführen von Schritt 1 nicht ausschalten lässt, halten Sie die Taste  10 Sekunden lang gedrückt, um ein Ausschalten des Roboters zu erzwingen. Wenn das Problem weiterhin besteht, wenden Sie sich bitte an den Kundendienst.
Die Aufladegeschwindigkeit ist langsam.	Es dauert etwa 4,5 Stunden, um den Roboter vollständig aufzuladen, wenn die Batterie schwach ist. Wenn Sie den Roboter bei Temperaturen außerhalb des angegebenen Bereichs betreiben, wird die Ladegeschwindigkeit automatisch verlangsamt, um die Lebensdauer des Akkus zu verlängern. Die Ladekontakte sowohl am Roboter als auch an der Basisstation können verschmutzt sein, bitte wischen Sie sie mit einem trockenen Tuch ab.
Die Geräusche nehmen zu, während der Roboter in Betrieb ist.	Prüfen Sie, ob der Staubbehälterfilter verstopft ist. Wenn ja, reinigen Sie ihn oder ersetzen Sie ihn. Ein harter Gegenstand könnte in der Hauptbürste oder im Staubbehälter eingeklemmt sein. Prüfen und entfernen Sie alle harten Gegenstände. Die Hauptbürste oder die Seitenbürste kann sich verheddern. Prüfen und entfernen Sie alle Fremdkörper. Schalten Sie den Saugmodus auf Standard oder Leise.
Der Roboter bewegt sich, ohne der festgelegten Route zu folgen.	Gegenstände wie Stromkabel und Hausschuhe sollten vor dem Einsatz des Roboters aufgeräumt werden. Beim Einsatz auf nassen, rutschigen Oberflächen rutscht das Haupttrrad durch. Es wird empfohlen, die nassen Stellen vor dem Einsatz des Roboters zu trocknen. Wischen Sie das Stoßfängerfenster und die 3D-Doppellinien-Lasersensoren des Roboters mit einem sauberen, weichen Tuch ab, um sie sauber und funktionsfähig zu halten.
Der Roboter kann die zu reinigenden Räume nicht erreichen.	Stellen Sie sicher, dass die Türen der zu reinigenden Räume offen sind. Prüfen Sie, ob die Türschwelle des Zimmers höher als ca. 2 cm ist. Der Roboter kann nicht über hohe Schwellen oder Stufen fahren. Der Boden vor dem zu reinigenden Zimmer kann nass und rutschig sein, so dass der Roboter wegrutscht und nicht ordnungsgemäß funktioniert. Trocknen Sie den Boden, bevor Sie den Roboter benutzen.
Der Roboter nimmt die Reinigung nach dem Laden nicht wieder auf.	Vergewissern Sie sich, dass der Roboter nicht auf den Nicht-Stören-Modus (DND) eingestellt ist, da er dann die Reinigung nicht fortsetzen kann. Der Roboter setzt die Reinigung nicht fort, nachdem Sie den Roboter manuell auf die Basisstation gestellt haben oder den Roboter über die App oder durch Drücken der Taste  zum Aufladen geschickt haben.

Fehlersuche und Fehlerbehebung

Problem	Lösung
Die Station kann den Staubbehälter nicht automatisch leeren.	Prüfen Sie, ob der Staubbeutel im Staubbehälter voll ist. Wenn der Staubbeutel nicht voll ist, prüfen Sie, ob die automatisch entleerten Entlüftungsventile des Roboters, der Basisstation oder des Staubbehälters verstopft sind. Falls ja, beseitigen Sie die Verstopfung rechtzeitig.
Der Wasserstand der Waschplatte ist nicht normal.	Überprüfen Sie, ob die Dichtung am Schmutzwasserbehälter lose oder nicht richtig installiert ist, und setzen Sie sie gegebenenfalls manuell zurück. Wenn das Problem weiterhin besteht, wenden Sie sich bitte an den Kundendienst. Drücken Sie vorsichtig auf Schmutzwasserbehälter, um sicherzustellen, dass er richtig installiert ist. Nehmen Sie die Waschplatte heraus und prüfen Sie, ob der Abwasserabfluss verstopft ist, und reinigen Sie ihn. Überprüfen Sie die Reinigungsflüssigkeit. Fügen Sie keine anderen Flüssigkeiten als die offiziell zugelassene Reinigungsflüssigkeit hinzu.
Der Wischpadhalter ist abnormal angehoben.	Bitte entfernen Sie den Wischpadhalter, prüfen Sie, ob sich ein Fremdkörper darin befindet, und starten Sie den Roboter neu. Wenn das Problem weiterhin besteht, wenden Sie sich bitte an den Kundendienst.
Unter dem Frischwasserbehälter oder um die Dichtung herum befindet sich Wasser.	Wenn Sie den Frischwasserbehälter herausnehmen, kann etwas Wasser in der Leitung unter dem Behälter oder um die Dichtung herum zurückbleiben. Das ist normal. Wischen Sie es bitte mit einem trockenen Tuch ab.

Bei weiteren Fragen wenden Sie sich bitte an <https://global.dreametech.com>

Roboter

Modell	RLX63CE/RLX63CE-2
Ladedauer	Ca. 4,5 Stunden
Nennspannung	14,4 V $\overline{=}$
Nennleistung	75 W
Betriebsfrequenz	2400 – 2483,5 MHz
Maximale Ausgangsleistung	< 20 dBm

Basisstation

Modell	RCXE0307/RCXE0307-5
Nenneingang	220-240 V \sim 50-60 Hz
Nennausgang	20 V $\overline{=}$ 2 A
Nennleistung (beim Staubentleeren)	700 W
Nennleistung (während der Heißwasserreinigung)	1160 W
Nennleistung (während des Ladens und Trocknens)	89 W

Unter normalen Einsatzbedingungen muss dieses Gerät in einem Abstand von mindestens 20cm zwischen der Antenne und dem Körper des Benutzers gehalten werden.

Hinweis:

- Die Nennleistung (während der Heißwasserreinigung) wird durch den Leistungswert während des angegebenen Zeitraums (Wassertemperatur 25 °C) bestimmt.
- Die Nennleistung (beim Lade- und Trocknungsvorgang) wird durch den Leistungswert während der Vollastperiode bestimmt.

Entsorgung und Entnahme des Akkus

Der eingebaute Lithium-Ionen-Akku enthält umweltgefährdende Stoffe. Lassen Sie den Akku vor der Entsorgung von qualifiziertem Fachpersonal ausbauen und entsorgen Sie ihn in einer geeigneten Recyclingeinrichtung.

- Der Akku muss vor der Entsorgung aus dem Gerät entfernt werden;
- Das Gerät muss beim Entfernen des Akkus vom Stromnetz getrennt werden;
- Der Akku muss sicher entsorgt werden.

VORSICHT:

Vor dem Entfernen des Akkus ist das Gerät vom Stromnetz zu trennen und der Akku so tief wie möglich zu entladen.

Nicht mehr benötigte Akkus sind in einer geeigneten Recyclingeinrichtung zu entsorgen.

Setzen Sie den Akku nicht hohen Temperaturen aus, um Explosionsgefahr zu vermeiden.

Unter unsachgemäßen Bedingungen kann Flüssigkeit aus dem Akku austreten. Bei Kontakt mit der Flüssigkeit spülen Sie die betroffene Stelle mit Wasser und suchen Sie einen Arzt auf.

Anleitung zum Herausnehmen:

1. Drehen Sie den Roboter um, entfernen Sie mit einem geeigneten Werkzeug die Schrauben auf der Rückseite des Roboters und nehmen Sie dann die Abdeckung ab.
2. Lösen Sie die Klemmen zwischen dem Akku und der Leiterplatte, um den Akku zu entfernen.

WEEE-Informationen



Für alle mit diesem Symbol gekennzeichneten Produkte gelten die Regelungen der Richtlinie 2012/19/EU über Elektro- und Elektronik-Altgeräte (WEEE), die nicht in den unsortierten Hausmüll gelangen dürfen. Zum Schutz der menschlichen Gesundheit und der Umwelt sollten Sie daher Ihre Altgeräte bei einer von der Regierung oder den lokalen Behörden eingerichteten Sammelstelle für das Recycling von Elektro- und Elektronik-Altgeräten abgeben. Eine ordnungsgemäße Entsorgung und Wiederverwertung trägt dazu bei, mögliche negative Folgen für die Umwelt und die menschliche Gesundheit zu vermeiden. Bitte wenden Sie sich an den Installateur oder die lokalen Behörden, um weitere Informationen über den Standort sowie die Bedingungen und Voraussetzungen für solche Sammelstellen zu erhalten.

Entsorgung von Elektro- und Elektronikgeräten



Die durchgestrichene Mülltonne bedeutet, dass Sie gesetzlich verpflichtet sind, diese Geräte einer vom unsortierten Siedlungsabfall getrennten Erfassung zuzuführen. Die Entsorgung über die Restmülltonne oder die gelbe Tonne ist untersagt. Enthalten die Produkte Batterien oder Akkus, die nicht fest verbaut sind, müssen diese vor der Entsorgung entnommen und getrennt als Batterie entsorgt werden.

Möglichkeiten der Rückgabe von Altgeräten

Besitzer von Altgeräten können diese im Rahmen der durch öffentlich-rechtlichen Entsorgungsträger eingerichteten und zur Verfügung stehenden Möglichkeiten für die Rückgabe oder Sammlung von Altgeräten abgeben, damit eine ordnungsgemäße Entsorgung der Altgeräte sichergestellt ist. Unter dem folgenden Link können Sie ein Onlineverzeichnis der Sammel- und Rücknahmestellen ansehen: <https://www.ear-system.de/ear-verzeichnis/sammel-und-ruecknahmestellen>

Datenschutz

Wir weisen alle Endnutzer von Elektro- und Elektronikgeräten darauf hin, dass Sie für das Löschen personenbezogener Daten auf den zu entsorgenden Altgeräten selbst verantwortlich sind.

Informations sur la sécurité

Pour éviter tout risque d'électrocution, de départ de feu ou de blessures lié à une utilisation non conforme de l'appareil, veuillez attentivement lire le mode d'emploi avant d'utiliser l'appareil et le conserver pour toute référence ultérieure.

Restrictions d'utilisation

- Ce produit ne doit pas être utilisé par des enfants âgés de moins de 8 ans et des personnes ayant un handicap physique, sensoriel ou intellectuel, ou une connaissance ou une expérience limitée sans la surveillance d'un parent ou d'un tuteur pour assurer un fonctionnement en toute sécurité et éviter les risques. Les opérations de nettoyage et d'entretien ne doivent pas être effectuées par les enfants sans supervision.
- L'appareil ne doit être utilisé qu'avec le bloc d'alimentation fourni avec l'appareil.
- Cet appareil contient des batteries qui ne peuvent être remplacées que par des personnes qualifiées.
- Dégagez la surface à nettoyer. Les enfants ne doivent pas jouer avec l'appareil. Assurez-vous que les enfants et animaux de compagnie se tiennent à distance du robot en fonctionnement.
- Évitez d'installer, de charger ou d'utiliser l'appareil dans les salles de bains ou autour des piscines.
- Ce produit est conçu pour nettoyer le sol dans un environnement domestique uniquement. Ne l'utilisez pas à l'extérieur, sur des surfaces brutes, ou dans un milieu industriel ou commercial.
- Assurez-vous que l'appareil fonctionne correctement dans un environnement approprié. Sinon, n'utilisez pas l'appareil.
- Si le cordon d'alimentation est endommagé, il doit être remplacé par un

Restrictions d'utilisation

- assemblage ou cordon spécial disponible auprès du fabricant ou de son réparateur agréé.
- N'utilisez pas le robot dans un espace suspendu au-dessus du sol sans barrière de protection.
 - Ne renversez pas le robot. N'utilisez pas le couvercle LDS, le couvercle du robot ou le pare-chocs comme poignée pour tenir le robot.
 - Utilisez le robot dans un environnement à une température ambiante supérieure à 0 °C et inférieure à 40 °C. Assurez-vous qu'il n'y a pas de liquide ou de substance collante sur le sol.
 - Pour éviter tout risque de dommage ou blessure causés par un raclement, retirez tous les objets mobiles du sol, ainsi que les câbles ou cordons d'alimentation sur l'itinéraire de nettoyage avant de faire fonctionner l'appareil.
 - Retirez les objets fragiles ou de petite taille présents sur le sol pour empêcher le robot de les heurter ou de les endommager.
 - Tenez les cheveux, les doigts et toute autre partie du corps éloignés de l'orifice d'aspiration du robot.
 - Gardez l'outil de nettoyage hors de la portée des enfants.
 - N'utilisez pas l'appareil dans une pièce où un nourrisson ou un enfant dort.
 - Ne placez pas un enfant, un animal domestique ou tout objet sur le robot, qu'il soit en marche ou à l'arrêt.
 - Vous pouvez uniquement verser de l'eau propre et la solution de nettoyage agréée dans le réservoir d'eau propre. N'ajoutez pas un autre liquide tel que de l'alcool ou un désinfectant. Le rapport entre la solution de nettoyage et

Informations sur la sécurité

Restrictions d'utilisation

l'eau propre figure sur la flacon de solution de nettoyage. Gardez la solution de nettoyage hors de la portée des enfants.

- N'utilisez pas le robot pour nettoyer des objets qui brûlent. N'utilisez pas le robot pour ramasser des liquides combustibles ou inflammables, des gaz corrosifs ou des acides ou des solvants non dilués.
- N'aspirez pas d'objets durs ou tranchants. N'utilisez pas l'appareil pour ramasser des objets tels que des cailloux, des gros morceaux de papier ou tout objet susceptible d'obstruer l'appareil.
- La fiche doit être débranchée de la prise avant de nettoyer ou d'entretenir l'appareil.
- N'essuyez pas le robot ou la station de base avec un chiffon humide et ne les rincez pas avec un liquide. Après le nettoyage des pièces lavables, séchez-les complètement avant de les réinstaller et de les utiliser.
- Veuillez utiliser ce produit conformément aux instructions présentes dans le monde d'emploi. Les utilisateurs sont responsables de toute perte ou de tout dommage occasionné par une utilisation non conforme de ce produit.

Batteries et recharge

- N'utilisez pas de batterie ou de station de base tierce. Le robot ne peut être utilisé qu'avec la station de base RCXE0307/RCXE0307-5.
- N'essayez pas de démonter, de réparer ou de modifier la batterie ou la station de base vous-même.
- Ne placez pas la station de base à proximité d'une source de chaleur.
- N'utilisez pas un chiffon mouillé ou et ne manipulez pas l'appareil les mains humides pour essuyer ou nettoyer les contacts de charge de la station de base.

Informations sur la sécurité

Batteries et recharge

- N'éliminez pas les batteries usagées de manière inappropriée. Les batteries usagées doivent être déposées dans un centre de recyclage approprié.
- Si le cordon d'alimentation est endommagé ou coupé, arrêtez de l'utiliser immédiatement et contactez le service après-vente.
- Assurez-vous que le robot est éteint lorsque vous le transportez et rangez-le dans son emballage d'origine si possible.
- Si le robot n'est pas utilisé pendant une longue période, chargez-le complètement, puis éteignez-le et rangez-le dans un endroit sec et frais. Rechargez le robot au moins tous les 3 mois pour ne pas trop décharger la batterie.

Informations de sécurité sur le laser

- Le capteur laser de ce produit répond à la norme IEC 60825-1:2014/EN 60825-1:2014/A11:2021 des appareils à laser de classe 1. Veuillez éviter de regarder directement le laser pendant l'utilisation.

APPAREIL À LASER DE CLASSE 1

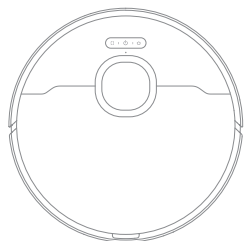
APPAREIL À LASER DESTINÉ AU GRAND PUBLIC

EN 50689:2021

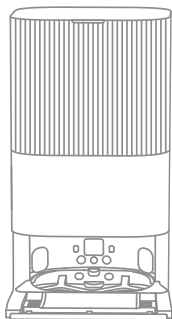
Par le présent document, Dreame Trading (Tianjin) Co., Ltd. déclare que le modèle d'équipement radio RLX63CE/RLX63CE-2 répond à la directive 2014/53/UE. L'intégralité du texte de la déclaration UE de conformité est disponible à l'adresse Internet suivante : <https://global.dreametech.com>
Pour consulter le mode d'emploi en ligne, veuillez accéder à <https://global.dreametech.com/pages/user-manuals-and-faqs>

Présentation du produit

Contenu de l'emballage (Dreame X40 Ultra)

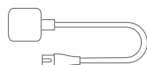


Robot



Station de base

Autres accessoires



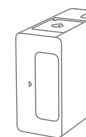
Cordon
d'alimentation



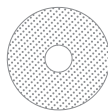
Plaque d'extension
de rampe de la
station de base



Mode d'emploi



Compartiment de
détergent automatique
(pré-installé)



Lingette × 2
(pré-installée)



Support de
serpillière × 2



Sac à poussière × 2
(1 pré-installé)



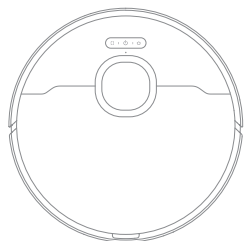
Outil de
nettoyage



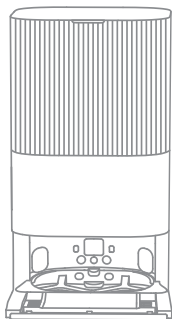
Solution de
nettoyage

Présentation du produit

Contenu de l'emballage (Dreame X40 Ultra Complete)

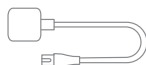


Robot



Station de base

Autres accessoires



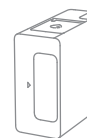
Cordon
d'alimentation



Mode d'emploi



Plaque d'extension de
rampe de la station de base



Compartment de
détergent automatique
(pré-installé)



Outil de nettoyage



Lingette × 2
(pré-installée)



Support de
serpillière × 2



Sac à poussière × 2
(1 pré-installé)

Kit d'accessoires supplémentaire



Brosse
principale × 1



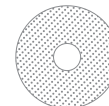
Brosse latérale
× 2



Filtre du compartiment
à poussière × 3



Sac à
poussière × 3



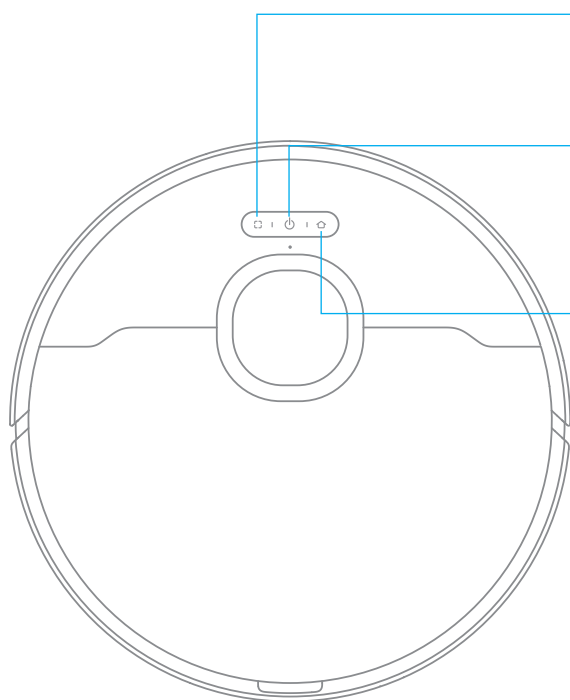
Serpillière
× 12



Solution de
nettoyage × 1

Présentation du produit

Robot



■ Bouton de nettoyage de zone délimitée

- Appuyez pour démarrer le nettoyage de zone délimitée

⏻ Bouton d'alimentation/nettoyage

- Maintenez enfoncé pendant 3 secondes pour allumer ou éteindre
- Appuyez pour commencer le nettoyage une fois le robot allumé

🏠 Bouton de station d'accueil

- Appuyez pour renvoyer le robot à la station de base
- Maintenez enfoncé pendant 3 secondes pour désactiver le Verrouillage enfants

Indicateur d'état

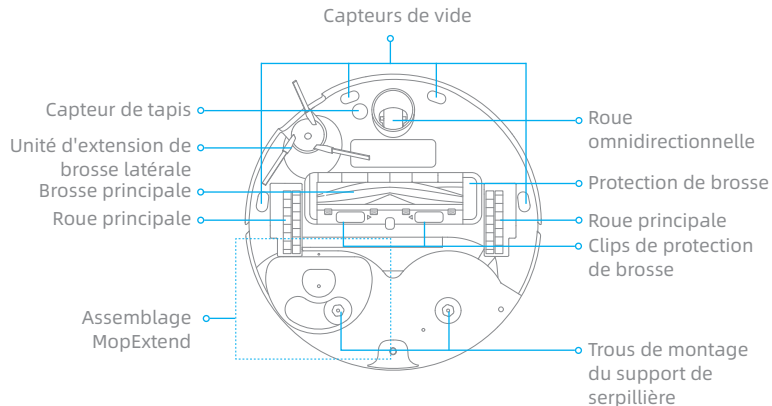
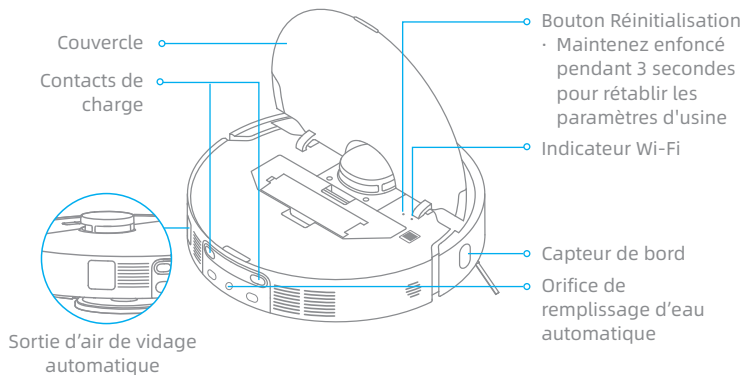
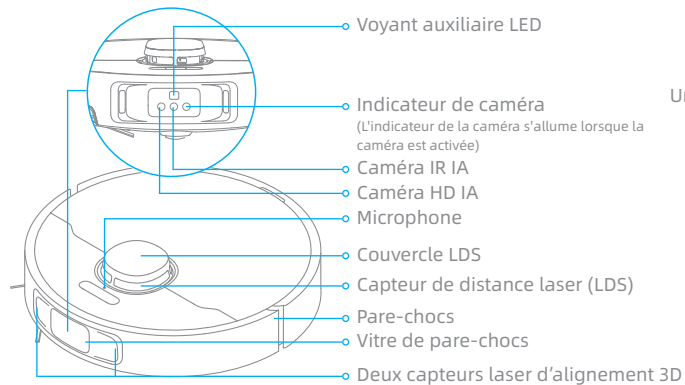
- Blanc fixe : Nettoyage ou lavage terminé
- Blanc à un rythme régulier : En charge (batterie pas faible)
- Orange fixe : En veille en cas de batterie faible ou pause en cas de batterie faible
- Orange à un rythme régulier : En charge (batterie faible)
- Orange clignotant : Erreur

Remarque :

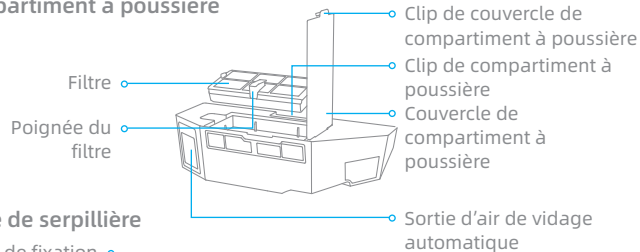
- Appuyez sur n'importe quel bouton du robot pour faire une pause pendant que le robot nettoie ou revient pour se charger.
- Le Verrouillage enfants peut être activé et désactivé avec l'application Dreamehome.

Présentation du produit

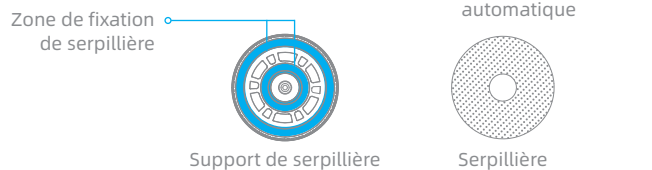
Robot et capteurs



Compartiment à poussière

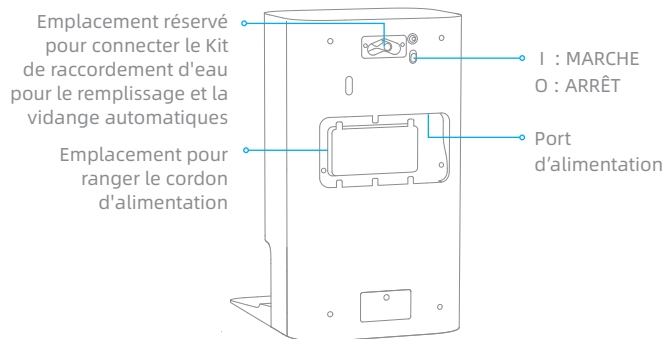
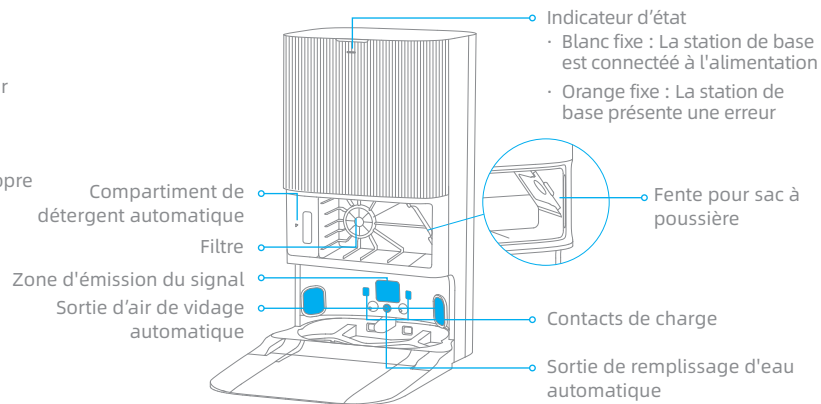
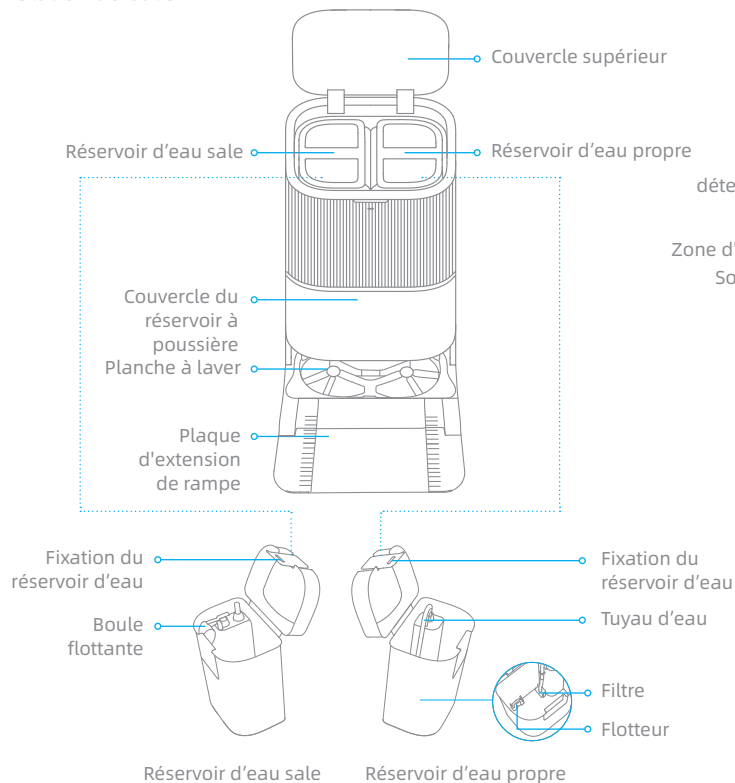


Unité de serpillière



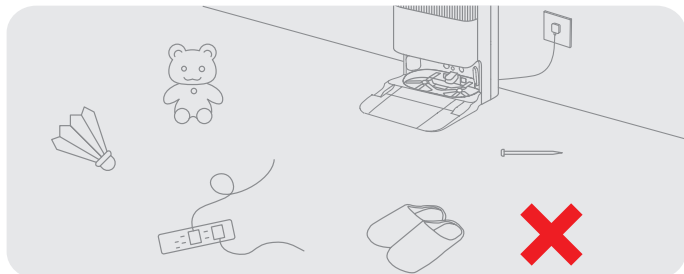
Présentation du produit

Station de base

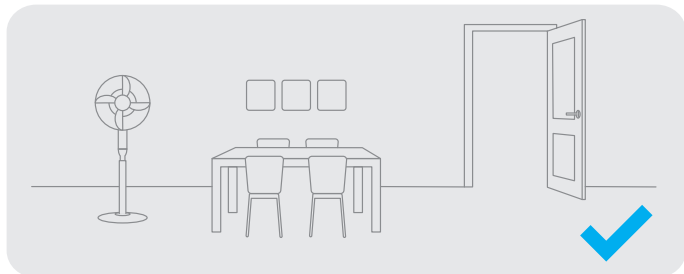


Remarque : Le kit de raccordement à l'eau pour le remplissage et la vidange automatiques doit être acheté séparément. (Disponible uniquement dans certaines régions)

Préparer votre intérieur



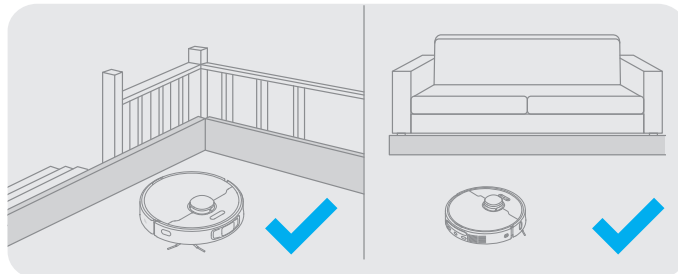
Avant de procéder au nettoyage, éloignez les objets instables, fragiles, de valeur ou dangereux, et ramassez les câbles, les chiffons, les jouets, les objets durs et pointus qui se trouvent sur le sol, afin d'éviter que le robot ne s'emmêle, ne se raye ou ne se renverse, ce qui entraînerait des pertes.



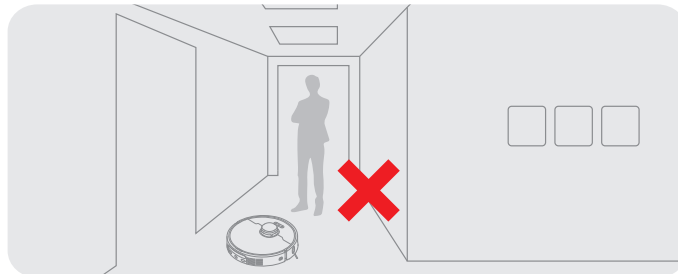
Ouvrez la porte de la pièce à nettoyer et disposez correctement les meubles pour libérer plus d'espace.

Remarque :

- À la première utilisation du robot, suivez-le pendant qu'il nettoie afin de retirer tout obstacle éventuel à temps.
- Le voyant auxiliaire LED fournira un éclairage auxiliaire dans les environnements faiblement éclairés.
- N'aspirez pas des objets durs tels que des cailloux, des boules en acier et des pièces de jouet, ou des objets tranchants tels que des déchets de construction, du verre brisé et des clous, sinon cela peut rayer le sol.



Avant le nettoyage, placez une barrière physique au bord de l'escalier et du canapé pour permettre au robot de fonctionner facilement et en toute sécurité.

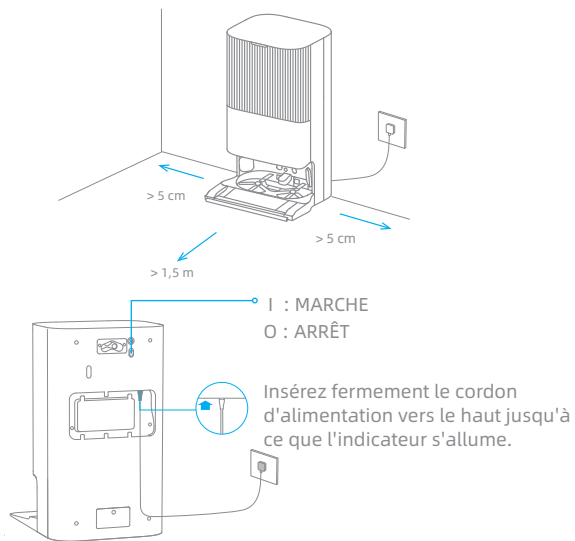


Pour permettre au robot de bien identifier les zones qui doivent être nettoyées, ne restez pas devant le robot, un seuil, un couloir ou des endroits étroits.

Avant l'utilisation

1. Placer la station de base et la brancher sur une prise électrique

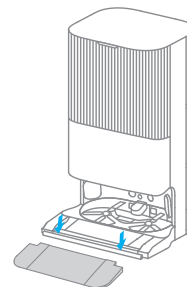
Placez la station de base dans un endroit le plus dégagé possible et disposant d'un signal Wi-Fi satisfaisant. Retirez tous les objets situés à moins de 1,5 m devant et à moins de 5 cm de chaque côté de la station de base. Insérez le cordon d'alimentation dans la station de base et branchez-le sur la prise.



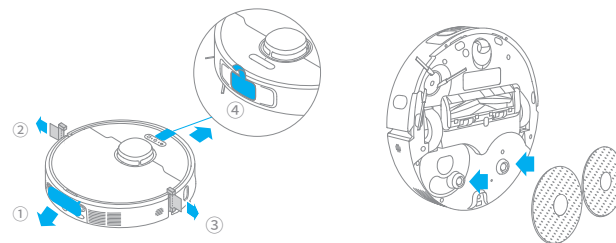
Remarque :

- Assurez-vous qu'aucun objet ne bloque la zone d'émission du signal.
- Pour éviter que l'eau ne mouille les parquets ou les tapis, il est recommandé d'installer la station de base sur des sols en carrelage ou en marbre.

2. Installer la plaque d'extension de rampe



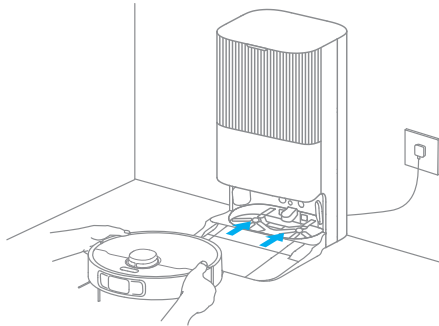
3. Retirer les protections du robot et installez l'unité de lavage



Avant l'utilisation

4. Connecter le robot à la station de base

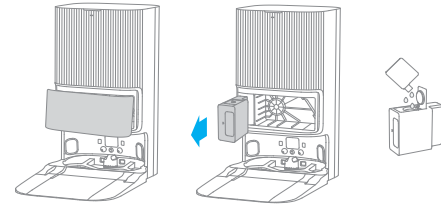
Maintenez le bouton  sur le robot enfoncé pendant 3 secondes pour l'allumer. Placez le robot sur la station de base avec l'unité de serpillière orientée vers la planche à laver. Une notification vocale est émise lorsque le robot est bien connecté à la station de base.



Remarque : Il est conseillé de charger complètement le robot avec la première utilisation. Quand le robot ne peut pas être activé lorsque la batterie est déchargée, connectez manuellement le robot à la station de pour le recharger.

5. Ajouter la solution de nettoyage

- (1) Retirez le couvercle du réservoir à poussière et sortez le compartiment de détergent automatique.
- (2) Ouvrez le couvercle supérieur du compartiment et ajoutez la solution de nettoyage.
- (3) Fermez le couvercle du compartiment, remettez-le dans la station de base, puis remplacez le couvercle du réservoir à poussière. La solution de nettoyage sera automatiquement ajoutée pendant le fonctionnement.

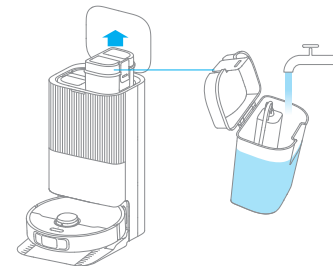


Remarque :

- N'ajoutez pas de liquide autre que la solution de nettoyage approuvée pour éviter toute défaillance.
- Installez le compartiment de détergent automatique en veillant à bien l'engager.

6. Verser l'eau dans le réservoir d'eau propre

Retirez le réservoir d'eau propre de la station de base et remplissez-le d'eau propre. Puis remettez-le en place dans la station de base.

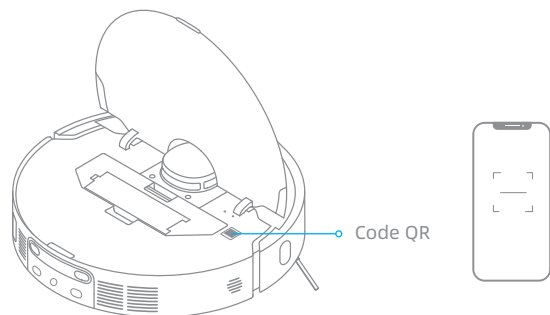


Remarque : Ne versez pas d'eau chaude dans le réservoir d'eau car cela peut le déformer.

Connexion à l'application Dreamehome

1. Télécharger l'application Dreamehome

Scannez le code QR sur le robot ou recherchez « Dreamehome » dans l'app store pour télécharger et installer l'application.



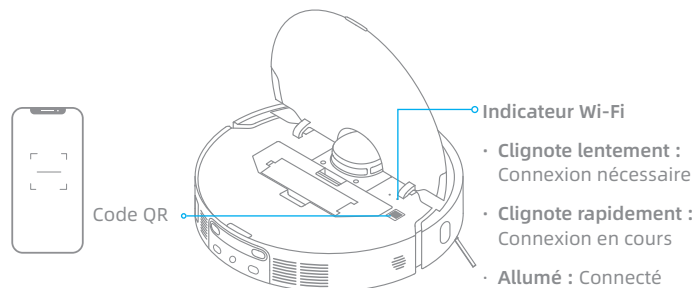
Remarque :

- Seul le réseau Wi-Fi 2,4 GHz est reconnu.
- Le logiciel d'application étant soumis à des mises à jour, les opérations réelles peuvent donc différer des instructions de ce manuel. Veuillez suivre les instructions selon la version actuelle de l'application.

2. Ajouter un appareil



Ouvrez l'application Dreamehome, appuyez sur « + » dans le coin supérieur droit, et scannez le même code QR sur le robot encore une fois pour ajouter l'appareil. Suivez les messages d'instructions pour finaliser la connexion Wi-Fi.

Remarque : Si vous souhaitez réinitialiser le Wi-Fi, répétez l'étape 2, puis suivez les instructions pour terminer la connexion Wi-Fi.



Conseils d'utilisation

Activer/Désactiver

Maintenez le bouton  enfoncé pendant 3 secondes pour allumer le robot. L'indicateur d'alimentation doit être allumé. Placez le robot sur la station de base, le robot doit s'allumer automatiquement et commencer à charger. Pour éteindre le robot, retirez-le de la station de base et maintenez le bouton  enfoncé pendant 3 secondes.

Cartographie rapide

Après avoir configuré le réseau pour la première fois, suivez les instructions de l'application pour créer rapidement une carte. Le robot commencera à cartographier sans nettoyage. Lorsque le robot retourne à la station de base, le processus de cartographie est terminé et la carte sera automatiquement enregistrée.

Pause/Veille

Lorsque le robot fonctionne, appuyez sur n'importe quel bouton pour le mettre en pause. Si le robot est mis en pause pendant plus de 10 minutes, il passe automatiquement en mode veille. Tous les indicateurs sur le robot s'éteindront. Appuyez sur n'importe quel bouton du robot, ou utilisez l'application pour réactiver le robot.

Remarque : Si le robot est mis en pause et placé sur la station de base, le processus de nettoyage en cours prendra fin.

Reprise automatique du nettoyage

Si la batterie est trop faible, le robot retournera automatiquement à la station de base pour se recharger. Après avoir rechargé la batterie au niveau approprié, il reprendra les tâches de nettoyage inachevées.

Remarque : Pour utiliser cette fonction, veuillez l'activer dans l'application.


Mode Ne pas déranger (DND)

Lorsque le robot est réglé sur le mode Ne pas déranger (DND), il lui sera impossible de reprendre le nettoyage, et l'indicateur d'alimentation s'éteint. Le mode DND est désactivé par défaut à l'usine. Vous pouvez utiliser l'application pour activer le mode DND ou modifier la période DND. La période DND s'étend de 22:00 à 8:00 par défaut.



Remarque :

- Les tâches de nettoyage planifiées seront effectuées comme d'habitude pendant la période DND.
- Le robot reprendra le nettoyage là où il s'est arrêté à la fin de la période DND.

Nettoyage de zone délimitée

Lorsque le robot est en veille, appuyez brièvement sur le bouton  pour activer le mode de nettoyage localisé. Dans ce mode, le robot nettoie une surface carrée de 1,5 x 1,5 m autour de lui, et retourne à son point de départ à la fin du nettoyage localisé.


Redémarrage du robot

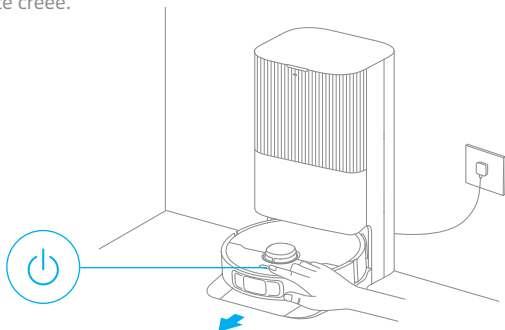
Si le robot ne répond plus ou ne peut pas s'éteindre, maintenez le bouton  enfoncé pendant 10 secondes pour l'arrêter de force. Puis maintenez le bouton  enfoncé pendant 3 secondes pour allumer le robot.

Aspiration et nettoyage

Remarque : Lors de la première utilisation de l'unité de serpillière, le robot effectue la tâche « Aspiration et nettoyage » par défaut.

1. Commencer le nettoyage

Appuyez sur le bouton  sur le robot, ou utilisez l'application pour que le robot démarre à partir de la station de base. Ensuite, le robot planifiera l'itinéraire de nettoyage optimal et effectuera la tâche de nettoyage en fonction de la carte créée.

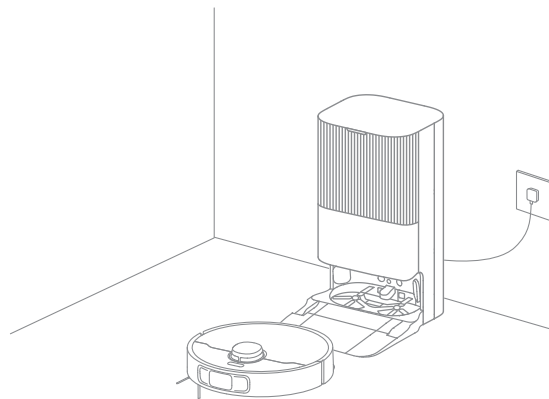


Remarque :

- Pour s'assurer que le robot retourne facilement à la station de base après le nettoyage, il est recommandé de faire démarrer le robot à partir de la station de base.
- Les serpillières seront nettoyées avant que le robot ne commence à cartographier, veuillez patienter.
- Ne déplacez pas la station de base, le réservoir d'eau propre, le réservoir d'eau sale ou la planche à laver pendant toute utilisation.
- Le nettoyage à l'eau chaude peut être activé dans l'application pour les tâches de nettoyage de la base de la planche à laver et de la serpillière, et cela s'applique à tous les modes. Pour éviter les brûlures, ne touchez pas la sortie d'eau lorsque la fonction est activée.

2. Lavage automatique de serpillière

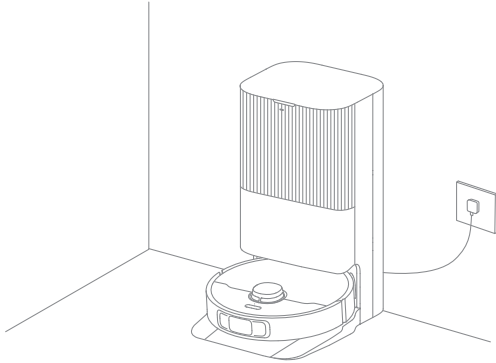
Lors du nettoyage, le robot retournera automatiquement à la station de base pour laver les serpillières en fonction de la fréquence de nettoyage spécifiée des serpillières dans l'application. La station de base remplira automatiquement le réservoir d'eau du robot et le robot reprendra le nettoyage.



Conseils d'utilisation

3. Vider automatiquement le compartiment à poussière, puis laver et sécher les serpillières

Une fois que le robot a terminé une tâche de nettoyage et retourne à la station de base pour se recharger, la station de base commencera automatiquement à vider le compartiment à poussière. Ensuite, elle lavera et séchera les serpillières.



Remarque :

- Si la fonction de vidage automatique est désactivée dans l'application, la station de base ne videra pas automatiquement le compartiment à poussière.
- La station de base videra le compartiment à poussière en fonction du réglage défini dans l'application.

4. Nettoyer le réservoir d'eau sale

Une fois que le robot a terminé sa tâche, veuillez nettoyer le réservoir d'eau usagée pour éviter toute odeur.

Nettoyage après l'aspiration

Activez la fonction de nettoyage après l'aspiration dans l'application, et le robot retirera automatiquement l'unité de serpillière sur la station de base pour aspirer le sol. Une fois l'aspiration terminée, le robot retournera à la station de base pour installer l'unité de serpillière et la station de base commencera automatiquement à vider le compartiment à poussière. Puis, le robot commencera le nettoyage une fois la brosse principale et la brosse latérale relevées.

Aspiration uniquement

Activez la fonction d'aspiration dans l'application, et le robot retirera automatiquement l'unité de serpillière sur la station de base et commencera à aspirer.

Nettoyage uniquement

Activez la fonction de nettoyage dans l'application, et le robot vérifiera automatiquement si l'unité de serpillière est installée sur la station de base. Sinon, le robot installera l'unité de lavage et commencera à laver une fois la brosse principale et la brosse latérale relevées.

Pièces

Pour maintenir le robot en bon état, il est recommandé de se référer à l'utilisation des accessoires dans l'application ou au tableau suivant pour l'entretien de routine.

Pièce	Fréquence d'entretien	Période de remplacement
Réservoir d'eau sale	Après chaque utilisation	/
Réservoir d'eau propre	Une fois toutes les 2 semaines	Tous les 6 à 12 mois
Brosse principale		Tous les 3 à 6 mois
Filtre du compartiment à poussière		/
Brosse latérale		/
Support de serpillière		/
Planche à laver		Une fois tous les 2 mois
Zone d'émission du signal de la station de base	Une fois par mois	/
Contact de charge de la station de base		
Événement de vidage automatique de la station de base		
Roue omnidirectionnelle		
Capteur de bord		
Capteur de distance laser (LDS)		
Deux capteurs laser d'alignement 3D		

Pièce	Fréquence d'entretien	Période de remplacement	
Capteur de tapis	Une fois par mois	/	
Capteurs de vide			
Vitre de pare-chocs			
Contact de charge du robot			
Pare-chocs			
Événement de vidage automatique du robot			
Orifice de remplissage d'eau automatique du robot			
Dessous du robot			
Compartiment à poussière			Nettoyez-le au besoin
Sac à poussière			/
Serpillière	/	Tous les 1 à 3 mois	

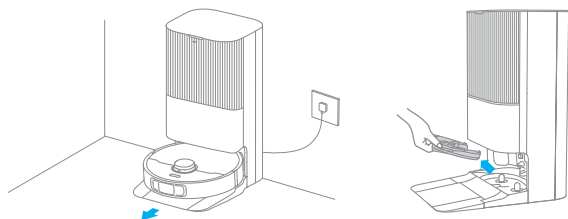
Remarque : La fréquence de remplacement dépendra de l'utilisation du robot. Si une exception se produit en raison de circonstances particulières, les pièces doivent être remplacées.

Entretien de routine

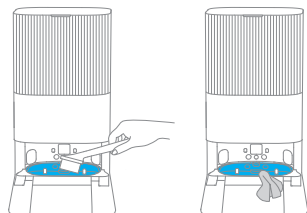
Base de la planche à laver

La station de base nettoiera automatiquement la planche à laver ainsi que chaque serpillière. Pour un nettoyage complet, veuillez suivre les étapes suivantes.

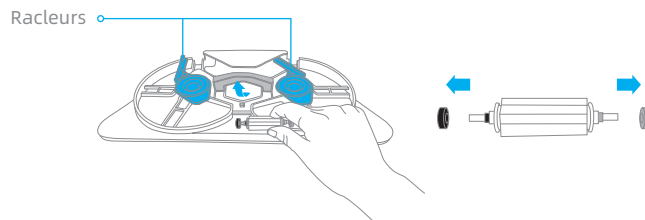
1. Activez la fonction de nettoyage de la base de la planche à laver dans l'application, et le robot quittera automatiquement la station de base. Retirez la planche à laver et attendez que la base de la planche à laver se remplisse d'eau.



2. Utilisez l'outil de nettoyage pour nettoyer la base de la planche à laver. Après quelques instants, la station de base évacuera automatiquement l'eau sale. Puis séchez la base de la planche à laver avec un chiffon doux et sec.



3. Retournez la planche à laver, retirez le couvercle du rouleau puis le rouleau, et retirez les embouts du rouleau.

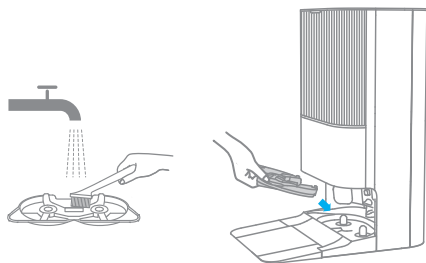


Remarque : Si le couvercle du rouleau est bloqué par les racleurs situés de part et d'autre de la planche à laver, tournez le rouleau pour les écarter.

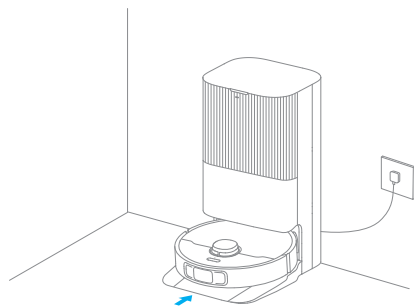
4. Retirez les poils emmêlés dans le rouleau, puis réassemblez les pièces selon les couleurs correspondantes, comme indiqué dans la figure ci-dessous.



5. Rincez la planche à laver à l'eau claire, essuyez-la, puis remettez-la dans la station de base, en bas et inclinée.



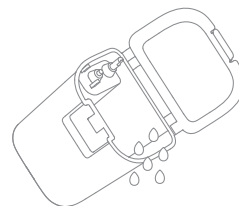
6. Utilisez l'application ou appuyez brièvement sur le bouton  sur le robot pour qu'il retourne à la station de base.



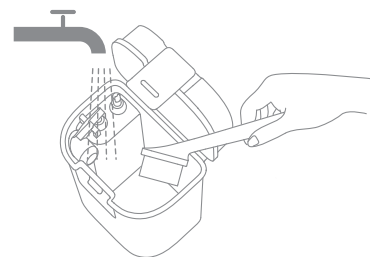
Remarque : Pendant le nettoyage, le robot ne doit pas retourner à la station de base.

Réservoir d'eau sale

1. Retirez le réservoir d'eau sale, enlevez son couvercle et évacuez l'eau sale.



2. Rincez le réservoir d'eau sale à l'eau claire et utilisez l'outil de nettoyage fourni pour nettoyer la paroi intérieure du réservoir d'eau sale.

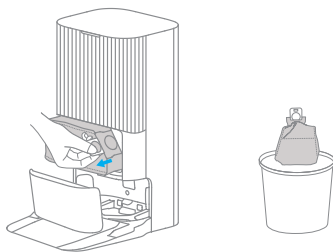


Remarque : La boule flottante dans le réservoir d'eau sale est une pièce mobile. N'appliquez pas une force excessive lorsque vous la nettoyez pour ne pas l'endommager.

Entretien de routine

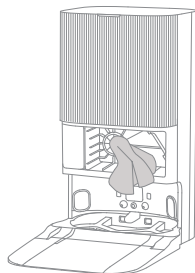
Sac à poussière

1. Retirez le couvercle du réservoir à poussière et jetez le sac à poussière.

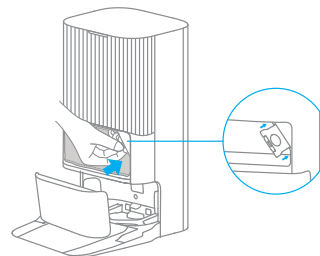


Remarque : Tirez la poignée vers le haut pour fermer le sac et ainsi empêcher la poussière et les débris de tomber accidentellement.

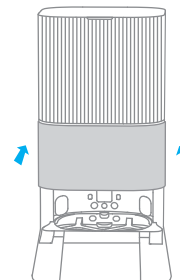
2. Retirez la poussière et les débris du filtre avec un chiffon sec.



3. Installez un nouveau sac à poussière.

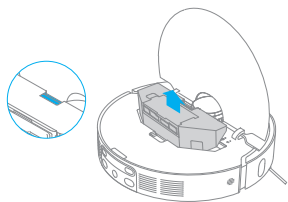


4. Réinstallez le couvercle du réservoir à poussière.

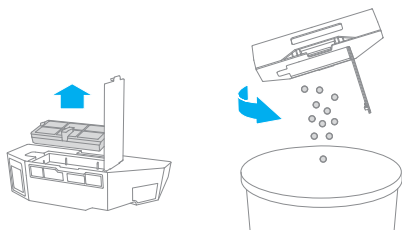


Filtere et compartiment à poussière

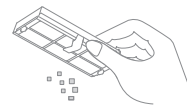
1. Ouvrez le couvercle du robot et appuyez sur la fixation de compartiment à poussière pour retirer le compartiment à poussière.



2. Ouvrez le couvercle du compartiment à poussière, retirez le filtre, puis videz le compartiment à poussière comme illustré sur le schéma.

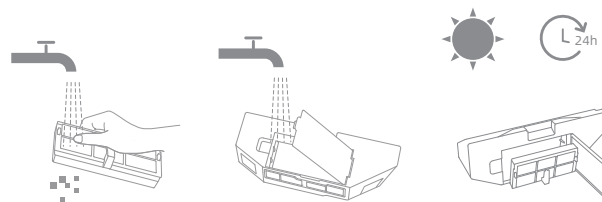


3. Tapotez doucement le panier du filtre pour enlever la saleté.



Remarque : N'essayez pas de nettoyer le filtre avec une brosse, les doigts ou des objets pointus pour éviter de l'endommager.

4. Rincez le compartiment à poussière et le filtre à l'eau et séchez-les complètement avant de les réinstaller.



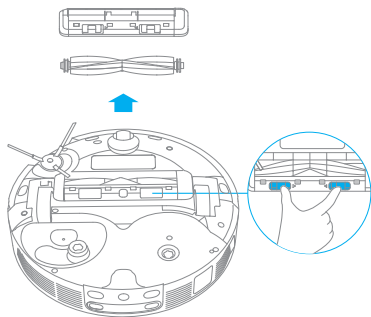
Remarque :

- Rincez le compartiment à poussière et le filtre uniquement à l'eau claire. N'utilisez aucun détergent.
- Utilisez le compartiment à poussière et le filtre uniquement lorsqu'ils sont complètement secs.

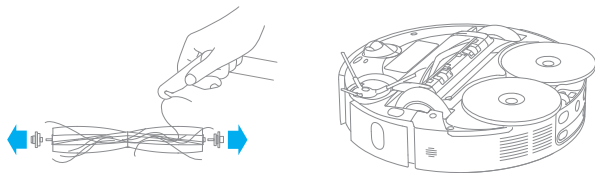
Entretien de routine

Brosse principale

1. Appuyez sur les clips de protection de brosse pour retirer la protection de brosse et soulevez la brosse hors du robot.

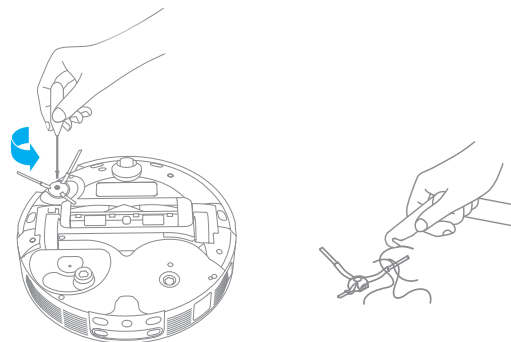


2. Retirez les couvercles de brosse aux deux extrémités de la brosse comme illustré sur la figure. Utilisez l'outil de nettoyage fourni pour enlever les poils emmêlés dans la brosse. Réinstallez les couvercles de brosse aux deux extrémités de la brosse, puis réinstallez la brosse. Poussez sur la protection de brosse pour la verrouiller en place.



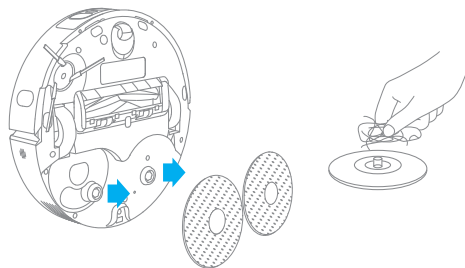
Brosse latérale

Dévissez la brosse latérale à l'aide d'un tournevis, retirez les poils de la brosse, puis revissez-la.

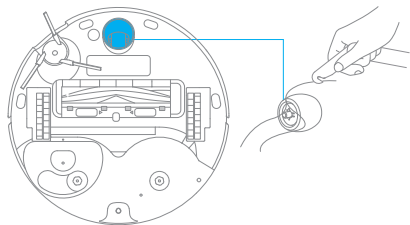


Support de serpillière

Retirez et nettoyez le support de lingette.



Roue omnidirectionnelle

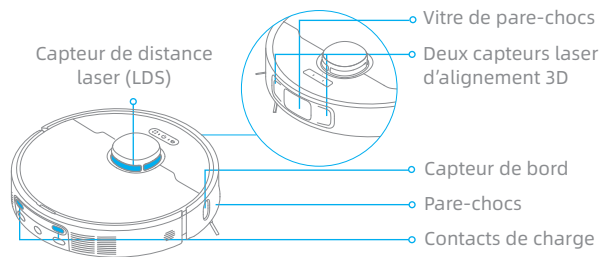


Remarque :

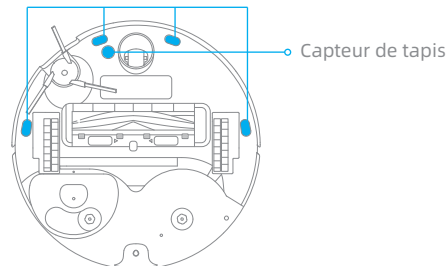
- Utilisez un outil tel qu'un petit tournevis pour séparer l'essieu et le pneu de la roue omnidirectionnelle. N'utilisez pas une force excessive.
- Rincez la roue omnidirectionnelle sous l'eau courante et remettez-la après l'avoir complètement séchée.

Capteurs de robot et contacts de charge

Essuyez les capteurs et les contacts de charge du robot à l'aide d'un chiffon doux et sec, comme illustré dans la figure ci-dessous :



Capteurs de vide

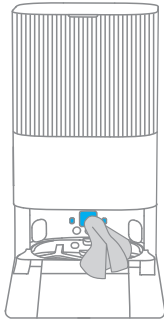


Remarque : Un chiffon humide peut endommager les éléments sensibles dans le robot et la station de base. Veuillez utiliser un chiffon sec pour le nettoyage.

Entretien de routine

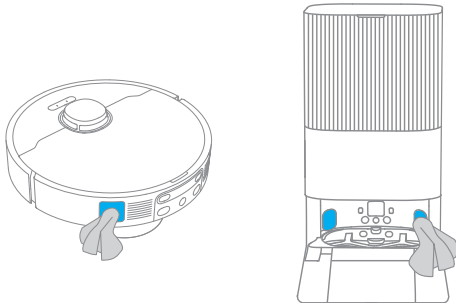
Contacts de charge

Nettoyez les contacts de charge et la zone d'émission du signal de la station de base à l'aide d'un chiffon doux et sec.



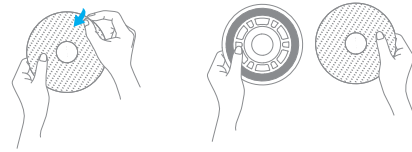
Événements de vidage automatique

Nettoyez les événements de vidage automatique du robot et de la station de base à l'aide d'un chiffon doux et sec.



Serpillère




Retirez la serpillère du support pour la remplacer.



Batterie

Le robot contient une batterie lithium-ion haute performance. Assurez-vous que la batterie reste bien chargée pour une utilisation quotidienne afin de maintenir les performances optimales de la batterie. Si le robot n'est pas utilisé pendant une longue période, éteignez-le et rangez-le. Pour éviter tout risque de dommages lié à une décharge excessive, rechargez le robot au moins une fois tous les trois mois.

Problème	Solution
Le robot ne s'allume pas.	La batterie est faible. Rechargez le robot sur la base et réessayez. La température de la batterie est trop faible ou trop élevée. Il est recommandé d'utiliser l'appareil à une température comprise entre 0 °C (32 °F) et 40 °C (104 °F).
Le robot ne se recharge pas.	La station de base n'est pas connectée à l'alimentation, veuillez vous assurer que les deux extrémités de son cordon d'alimentation sont correctement branchées. Le contact entre les contacts de charge sur la station de base et le robot est défaillant, veuillez nettoyer les contacts de charge. Vérifiez la présence d'objet étranger au niveau du connecteur du robot et retirez-le le cas échéant.
Le robot ne se connecte pas au réseau Wi-Fi.	Le mot de passe du réseau Wi-Fi n'est pas correct. Assurez-vous que le mot de passe utilisé pour vous connecter à votre réseau Wi-Fi est correct. Le robot ne prend pas en charge la connexion Wi-Fi 5 GHz. Assurez-vous que le robot est relié à une connexion Wi-Fi 2,4 GHz. Le signal Wi-Fi est faible. Assurez-vous que le robot se trouve dans une zone avec une bonne couverture Wi-Fi. Le robot peut ne pas être prêt à être configuré. Veuillez quitter et rouvrir l'application, puis essayer à nouveau comme indiqué.
Le robot ne trouve pas la station de base et ne peut pas y retourner.	La station de base est déconnectée de l'alimentation ou déplacée lorsque le robot n'est pas dessus. Veuillez connecter la station de base à l'alimentation électrique ou placer le robot sur la station de base pour le charger. Il y a trop d'obstacles autour de la station de base. Placez la station de base dans une zone plus dégagée. Tout déplacement du robot peut entraîner son repositionnement : il recréera alors une carte s'il n'est pas correctement repositionné. Si le robot est trop éloigné de la station de base, il peut ne pas revenir automatiquement à la station de lui-même, auquel cas vous devrez manuellement placer le robot sur la station de base. Essayez la zone d'émission du signal sur la station de base pour éliminer la poussière ou les débris.
Le robot reste bloqué devant la station de base et ne peut pas retourner vers elle.	Dégagez tout obstacle à moins de 5 cm sur les côtés gauche et droit ou à moins de 1,5 m devant la station de base pour éviter que le robot ne soit bloqué. L'itinéraire pour revenir se recharger est bloqué, par ex. la porte est fermée. Le robot peut glisser si le sol devant la station de base est trop humide. Dans ce cas, nettoyez l'excès d'eau avant de réessayer. Il est recommandé de déplacer la station de base dans un autre endroit et de réessayer. Assurez-vous que la plaque d'extension de rampe est correctement installée.

Problème	Solution
Le robot ne s'éteint pas.	<p>Le robot ne peut pas être éteint lorsqu'il se recharge. Il est recommandé de retirer le robot de la station de base, puis de maintenir le bouton  enfoncé pendant 3 secondes pour l'éteindre.</p> <p>Si le robot ne peut pas être désactivé en effectuant l'étape 1, maintenez le bouton  enfoncé pendant 10 secondes pour forcer la désactivation du robot. Si le problème persiste, contactez le service après-ventes.</p>
La vitesse de charge est lente.	<p>La charge complète du robot, lorsque le niveau de la batterie est bas, dure environ 4,5 heures.</p> <p>Si vous utilisez le robot à des températures en dehors de la plage indiquée, la vitesse de charge ralentira automatiquement pour prolonger l'autonomie de la batterie.</p> <p>Les contacts de charge sur le robot et la base peuvent être sales, veuillez les essuyer avec un chiffon sec.</p>
Le bruit augmente lors du fonctionnement du robot.	<p>Vérifiez si le filtre du compartiment à poussière est bouché. Si c'est le cas, nettoyez-le ou remplacez-le.</p> <p>Un objet dur est peut-être coincé dans la brosse principale ou le compartiment à poussière. Vérifiez et retirez l'objet.</p> <p>La brosse principale ou la brosse latérale peut être enchevêtrée. Vérifiez et retirez tous les objets étrangers.</p> <p>Passer le mode d'aspiration sur Standard ou Silencieux.</p>
Le robot se déplace sans suivre l'itinéraire défini.	<p>Les objets tels que cordons d'alimentation et pantoufles doivent être rangés avant d'utiliser le robot.</p> <p>Les surfaces mouillées et glissantes peuvent faire patiner la roue principale. Il est recommandé de sécher les endroits humides avant d'utiliser le robot.</p> <p>Essuyez la vitre de pare-chocs et les capteurs laser d'alignement 3D sur le robot avec un chiffon propre et doux pour les maintenir propres et dégagés.</p>
Le robot n'a pas trouvé les pièces à nettoyer.	<p>Assurez-vous que la porte de chaque pièce à nettoyer est ouverte.</p> <p>Vérifiez la présence de seuil d'une hauteur supérieure à 2 cm environ à l'entrée de la pièce. Le robot ne peut pas franchir des marches ou des seuils hauts.</p> <p>L'espace devant la pièce à nettoyer est peut-être glissant et mouillé, et le robot peut alors patiner et ne pas fonctionner normalement. Séchez le sol avant d'utiliser le robot.</p>
Le robot ne reprend pas le nettoyage après la recharge.	<p>Assurez-vous que le robot n'est pas programmé sur le mode Ne pas déranger (DND), ce qui peut l'empêcher de reprendre le nettoyage.</p> <p>Le robot ne reprendra pas le nettoyage après l'avoir manuellement placé sur la station de base ou après l'avoir envoyé se charger via l'application ou le bouton .</p>

Problème	Solution
La station ne vide pas automatiquement le compartiment à poussière.	Vérifiez si le sac à poussière dans le réservoir à poussière est plein. Si le sac à poussière n'est pas plein, vérifiez si les événements de vidage automatique du robot, la station de base ou le compartiment à poussière ne sont pas obstrués. Si c'est le cas, dégagez la pièce bloquée.
Le niveau d'eau dans la planche à laver est anormal.	Vérifiez si le joint sur le réservoir d'eau sale est desserré ou mal installé, et fixez-le à nouveau manuellement le cas échéant. Si le problème persiste, contactez l'équipe de service après-ventes. Enfoncez légèrement le réservoir d'eau sale pour vous assurer qu'il est correctement installé. Retirez la planche à laver et vérifiez si la conduite d'eau sale est bouchée, et nettoyez-la. Vérifiez la solution de nettoyage. N'ajoutez pas de liquide autre que la solution de nettoyage approuvée.
Le support de serpillière ne se soulève pas normalement.	Veuillez retirer le support de serpillière pour vérifier la présence d'objet étranger coincé à l'intérieur, et essayer de redémarrer le robot. Si le problème persiste, contactez l'équipe de service après-ventes.
De l'eau est présente sous le réservoir d'eau propre ou autour du joint d'étanchéité.	Lorsque vous retirez le réservoir d'eau propre, de l'eau contenue dans le tuyau peut être présente sous le réservoir ou autour du joint d'étanchéité. Cela est normal. Veuillez essayer à l'aide d'un chiffon sec.

Pour plus d'assistance, contactez-nous via <https://global.dreametech.com>

Caractéristiques techniques

Robot

Modèle	RLX63CE/RLX63CE-2
Temps de charge	Environ 4,5 heures
Tension nominale	14,4 V ---
Puissance nominale	75 W
Fréquence de fonctionnement	2 400-2 483,5 MHz
Puissance de sortie maximale	< 20 dBm

Station de base

Modèle	RCXE0307/RCXE0307-5
Entrée nominale	220-240 V~ 50-60 Hz
Sortie nominale	20 V --- 2 A
Puissance nominale (pendant le vidage de la poussière)	700 W
Puissance nominale (pendant le nettoyage à l'eau chaude)	1160 W
Puissance nominale (pendant la charge et le séchage)	89 W

Dans des conditions normales d'utilisation, cet équipement doit être maintenu à une distance de séparation d'au moins 20 cm entre l'antenne et le corps de l'utilisateur.



Remarque :

- La puissance nominale (pendant le nettoyage à l'eau chaude) est déterminée par la valeur de puissance pendant la période représentative (température de l'eau à 25 °C).
- La puissance nominale (pendant la charge et le séchage) est déterminée par la valeur de puissance pendant la période de pleine charge.

Retrait et élimination de la batterie

La batterie lithium-ion intégrée contient des substances dangereuses pour l'environnement. Avant d'éliminer la batterie, assurez-vous qu'elle est enlevée par un technicien qualifié et déposée dans un centre de recyclage approprié.

- la batterie doit être retirée de l'appareil avant qu'il ne soit mis au rebut ;
- l'appareil doit être débranché de la prise secteur pour le retrait de la batterie ;
- la batterie doit être éliminée de manière sûre.

ATTENTION :

Avant d'enlever la batterie, débranchez l'alimentation et déchargez au maximum la batterie.

Les batteries usagées doivent être déposées dans un centre de recyclage approprié.

N'exposez pas la batterie dans un environnement à haute température pour éviter les risques d'explosion.

En cas d'usage abusif, du liquide peut s'échapper de la batterie. En cas de contact, rincez à l'eau et consultez un médecin.

Guide pour le retrait :

1. Retournez le robot, utilisez l'outil adapté pour retirer les vis à l'arrière du robot, puis enlevez le couvercle.
2. Débranchez les bornes entre la batterie et la carte de circuit imprimé pour retirer la batterie.

Informations concernant les DEEE



Tous les produits portant ce symbole sont des déchets d'équipements électriques et électroniques (DEEE d'après la directive 2012/19/UE) qui ne doivent pas être mélangés avec les ordures ménagères non triées. Vous devez protéger la santé humaine et l'environnement en déposant votre équipement usagé dans un point de collecte prévu à cet effet pour le recyclage des déchets d'équipements électriques et électroniques, désigné par le gouvernement ou les autorités locales. Des procédures d'élimination et de recyclage adéquates permettent d'éviter les effets nocifs sur l'environnement et la santé humaine. Veuillez contacter l'installateur ou les autorités locales pour plus d'informations sur le site, ainsi que les modalités et conditions des points de collecte de ce type.

Per evitare scosse elettriche, incendi o lesioni causate da un uso improprio dell'apparecchio, leggere attentamente il manuale d'uso prima di utilizzare l'apparecchio e conservarlo per riferimenti futuri.

Restrizioni d'uso

- Questo prodotto non deve essere utilizzato da bambini di età inferiore a 8 anni o da persone con deficit fisici, sensoriali, intellettuali o con esperienza o conoscenze limitate senza la supervisione di un genitore o di un tutore per garantire un funzionamento sicuro ed evitare qualsiasi rischio. La pulizia e la manutenzione non devono essere eseguite da bambini senza supervisione.
- L'apparecchio deve essere utilizzato solo con l'alimentatore fornito in dotazione.
- Questo apparecchio contiene batterie che possono essere sostituite solo da personale specializzato.
- Liberare l'area da pulire. I bambini non devono giocare con l'apparecchio. Assicurarsi che bambini e animali domestici siano tenuti a distanza di sicurezza dal robot durante il suo funzionamento.
- Non installare, caricare o utilizzare l'apparecchio nei bagni o intorno alle piscine.
- Questo prodotto è destinato esclusivamente alla pulizia dei pavimenti in ambiente domestico. Non utilizzare all'aperto, su superfici non pavimentate o in ambienti commerciali o industriali.
- Assicurarsi che l'apparecchio funzioni correttamente in un ambiente adeguato. In caso contrario, non utilizzare l'apparecchio.
- Se il cavo di alimentazione è danneggiato, deve essere sostituito con un cavo o un gruppo speciale disponibile presso il produttore o il suo agente di assistenza.
- Non utilizzare il robot in un'area sospesa sopra il livello del suolo senza una

Informazioni sulla sicurezza

Restrizioni d'uso

barriera protettiva.

- Non posizionare il robot a testa in giù. Non utilizzare il coperchio dell'LDS, il coperchio del robot o il paraurti come impugnatura del robot.
- Utilizzare il robot in ambienti con temperatura ambiente superiore a 0 °C e inferiore a 40 °C. Assicurarsi che non vi siano liquidi o sostanze appiccicose sul pavimento.
- Per evitare danni o danni da trascinamento, prima di mettere in funzione l'apparecchio, rimuovere tutti gli oggetti lasciati sul pavimento e i cavi o i fili di alimentazione che si trovano sul percorso di pulizia.
- Rimuovere gli oggetti fragili o piccoli dal pavimento per evitare che il robot li urti e li danneggi.
- Tenere capelli, dita e altre parti del corpo lontano dall'apertura di aspirazione del robot.
- Tenere lo strumento di pulizia fuori dalla portata dei bambini.
- Non mettere in funzione l'apparecchio in una stanza in cui dorme un neonato o un bambino.
- Non collocare bambini, animali domestici o altri oggetti sopra il robot, indipendentemente dal fatto che sia fermo o in movimento.
- Nel serbatoio dell'acqua pulita è possibile aggiungere solo acqua pulita e la soluzione detergente ufficialmente approvata. Non aggiungere altri liquidi come alcol o disinfettanti. Il rapporto tra la soluzione detergente e l'acqua pulita può essere controllato sul flacone della soluzione detergente. Tenere la soluzione

Informazioni sulla sicurezza

Restrizioni d'uso

detergente fuori dalla portata dei bambini.

- Non utilizzare il robot per pulire oggetti molto caldi. Non utilizzare il robot per raccogliere liquidi infiammabili o combustibili, gas corrosivi, acidi o solventi non diluiti.
- Non aspirare oggetti duri o taglienti. Non utilizzare l'apparecchio per raccogliere oggetti come sassi, grandi pezzi di carta o qualsiasi altro oggetto che possa intasare l'apparecchio.
- La spina deve essere rimossa dalla presa di corrente prima di procedere alla pulizia o alla manutenzione dell'apparecchio.
- Non pulire il robot o la stazione base con un panno bagnato e non sciacquarli con alcun liquido. Dopo aver pulito le parti lavabili, asciugarle completamente prima di reinstallarle e utilizzarle.
- Utilizzare questo prodotto in conformità alle istruzioni contenute nel manuale d'uso. Gli utenti sono responsabili di eventuali perdite o danni derivanti dall'uso improprio di questo prodotto.

Batterie e ricarica

- Non utilizzare batterie o stazioni base di parte terza. Il robot può essere utilizzato solo con la stazione base modello RCXE0307/RCXE0307-5.
- Non tentare di smontare, riparare o modificare da soli la batteria o la stazione base.
- Non collocare la stazione base vicino a una fonte di calore.
- Non utilizzare un panno o le mani bagnate per pulire i contatti di ricarica della stazione base.

IT Informazioni sulla sicurezza

Batterie e ricarica

- Non smaltire impropriamente le vecchie batterie. Le batterie non necessarie devono essere smaltite presso un impianto di riciclo appropriato.
- Se il cavo di alimentazione è danneggiato o rotto, interrompere immediatamente l'uso e contattare il servizio di assistenza.
- Assicurarsi che il robot sia spento durante il trasporto e, se possibile, conservato nell'imballaggio originale.
- Se il robot non viene utilizzato per un tempo prolungato, caricarlo completamente, quindi spegnerlo e conservarlo in un luogo fresco e asciutto. Ricaricare il robot almeno una volta ogni 3 mesi per evitare di scaricare eccessivamente la batteria.

Informazioni sulla sicurezza del laser

- Il sensore laser di questo prodotto è conforme alla norma IEC 60825-1:2014/EN 60825-1:2014/A11:2021 per i prodotti laser di Classe 1. Evitare il contatto diretto con gli occhi durante l'uso.

PRODOTTO LASER DI CLASSE 1

PRODOTTO LASER DI CONSUMO

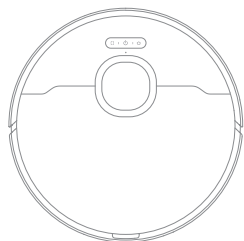
EN 50689:2021

Con la presente, Dreame Trading (Tianjin)Co., Ltd. dichiara che l'apparecchiatura radio di tipo RLX63CE/RLX63CE-2 è conforme alla Direttiva 2014/53/UE. Il testo completo della dichiarazione di conformità dell'UE è disponibile al seguente indirizzo internet: <https://global.dreametech.com>

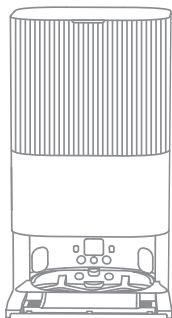
Per un manuale elettronico dettagliato, visitare il sito <https://global.dreametech.com/pages/user-manuals-and-faqs>

Panoramica del prodotto

Contenuto della confezione (Dreame X40 Ultra)



Robot



Stazione base

Altri accessori



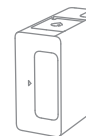
Cavo di alimentazione



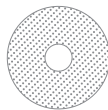
Piastra di estensione della rampa della stazione base



Manuale d'uso



Vano per il detersivo automatico (preinstallato)



Tampone del mocio × 2 (preinstallato)



Supporto per il tampone del mocio × 2



Sacchetto della polvere × 2 (1 preinstallato)



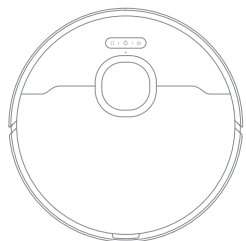
Strumento di pulizia



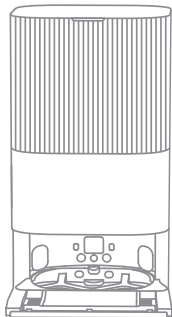
Soluzione per la pulizia

IT **Panoramica del prodotto**

Contenuto della confezione (Dreame X40 Ultra Complete)

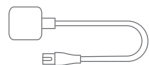


Robot

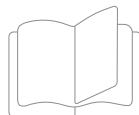


Stazione base

Altri accessori



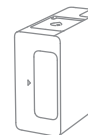
Cavo di alimentazione



Manuale d'uso



Piastra di estensione della rampa della stazione base



Vano per il detersivo automatico (preinstallato)



Strumento di pulizia



Tampone del mocio × 2 (preinstallato)



Supporto per il tampone del mocio × 2



Sacchetto della polvere × 2 (1 preinstallato)

Kit di accessori extra



Spazzola principale × 1



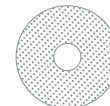
Spazzola laterale × 2



Filtro del contenitore della polvere × 3



Sacchetto della polvere × 3



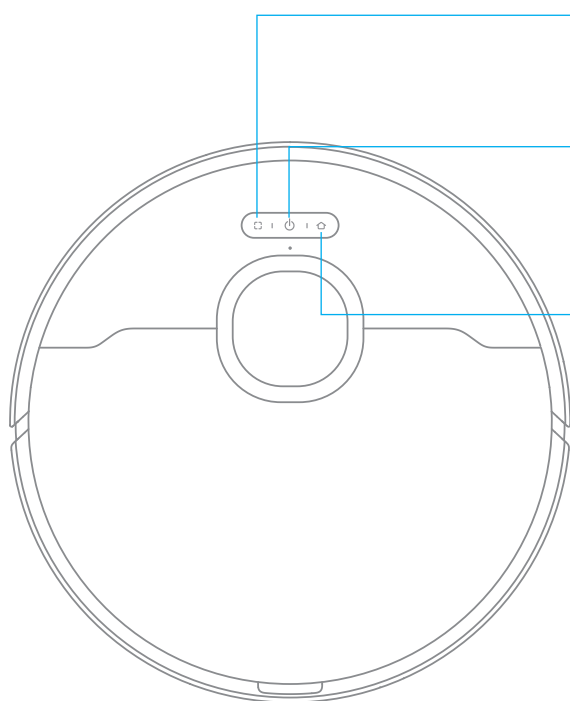
Tampone del mocio × 12



Soluzione per la pulizia × 1

Panoramica del prodotto

Robot



Pulsante per la pulizia localizzata

- Premere per avviare la pulizia localizzata

Pulsante di accensione / pulizia

- Tenere premuto per 3 secondi per accendere o spegnere il dispositivo
- Premere per avviare la pulizia dopo l'accensione del robot.

Pulsante Stazione

- Premere per rimandare il robot alla stazione base
- Tenere premuto per 3 secondi per disattivare il blocco bambini

Indicatore di stato

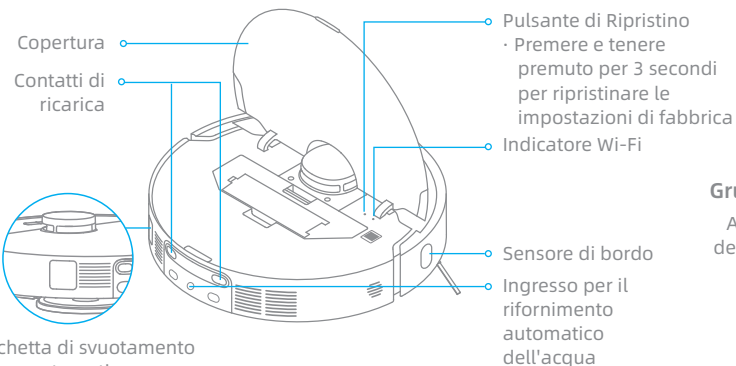
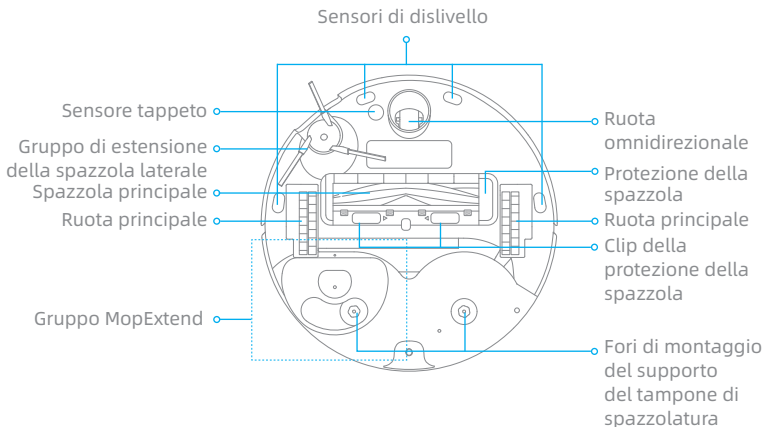
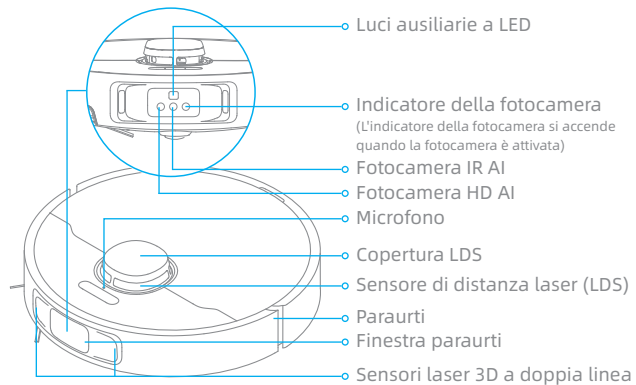
- Bianco fisso: Pulizia o ripulitura completata
- Bianco intermittente: In carica (non batteria scarica)
- Arancione fisso: Standby a batteria scarica o in pausa a batteria scarica
- Arancione lampeggiante: In carica (batteria scarica)
- Arancione lampeggiante: Errore

Nota:

- Premere un pulsante qualsiasi del robot per mettere in pausa il robot durante la pulizia o la ricarica.
- Il blocco bambini può essere attivato/disattivato tramite l'App Dreamehome.

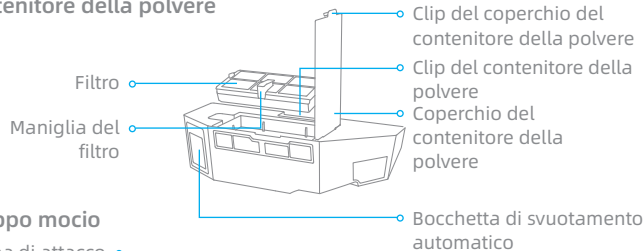
IT Panoramica del prodotto

Robot e sensori



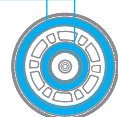
Bocchetta di svuotamento automatico

Contenitore della polvere

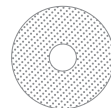


Gruppo mocio

Area di attacco del tampone del mocio



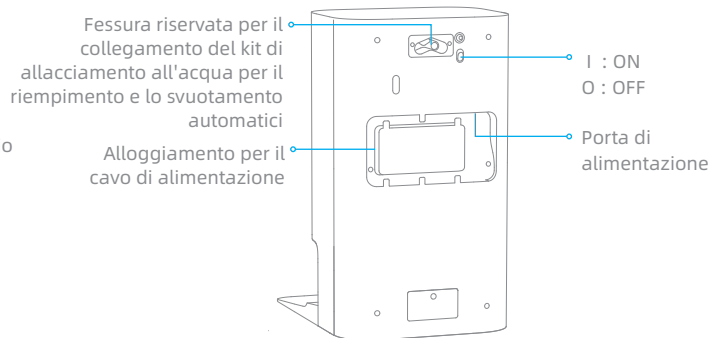
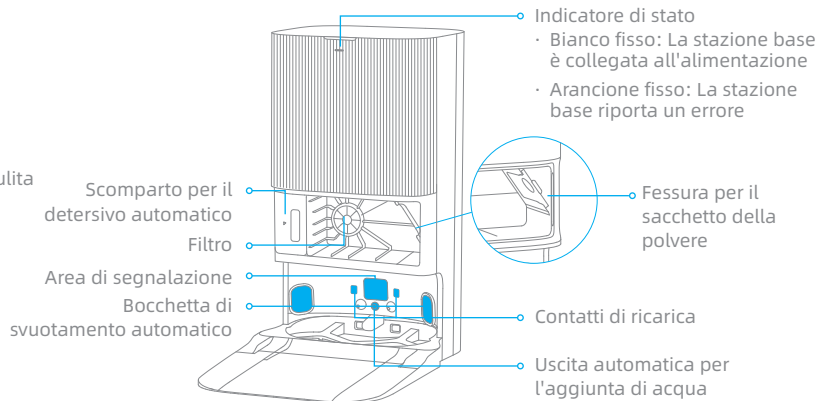
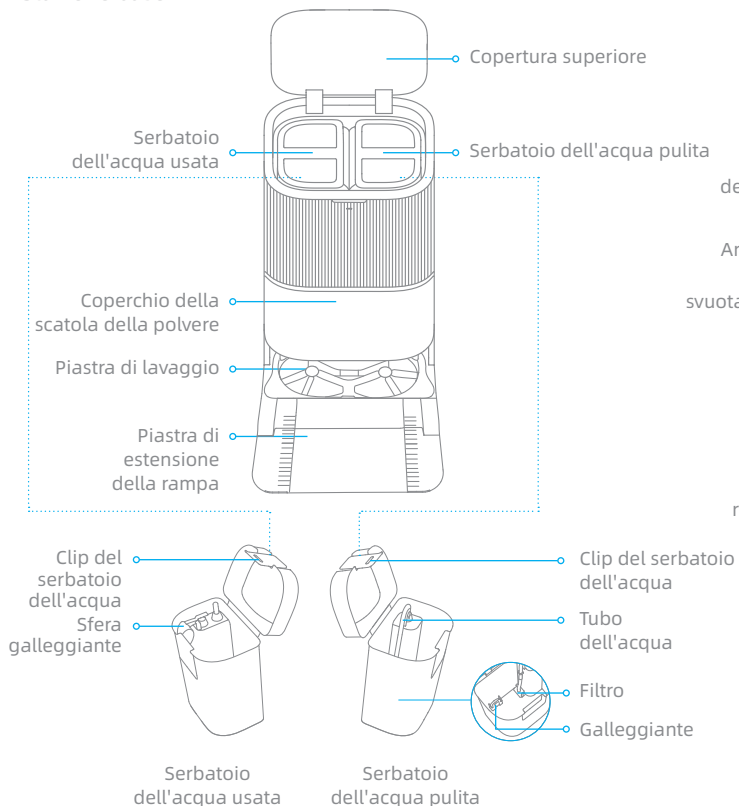
Supporto per il tampone del mocio



Tampone del mocio

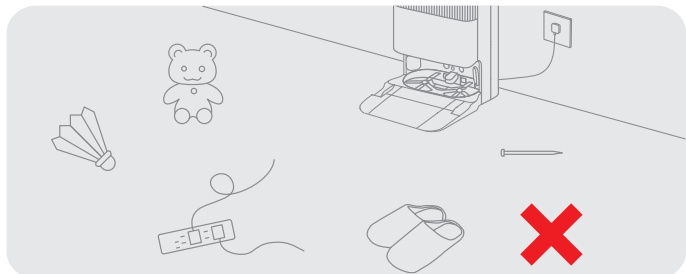
Panoramica del prodotto

Stazione base

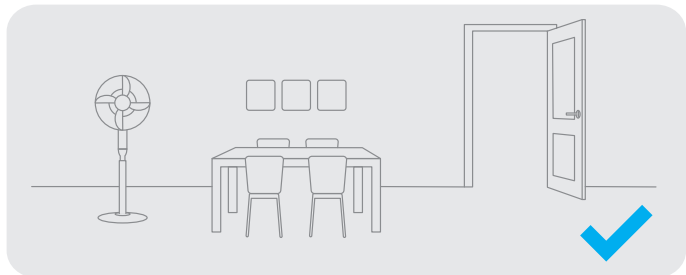


Nota: Il kit di allacciamento all'acqua per il riempimento e lo svuotamento automatico deve essere acquistato separatamente. (Disponibile solo in alcune regioni)

IT Preparare la casa



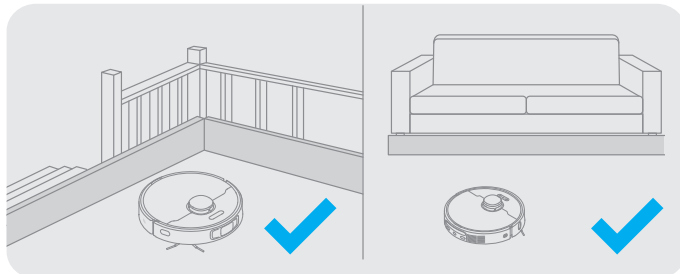
Prima di procedere alla pulizia, allontanare gli oggetti instabili, fragili, di valore o pericolosi e togliere i cavi, i panni, i giocattoli, gli oggetti duri e gli oggetti appuntiti che si trovano a terra, per evitare che il robot possa impigliarsi, graffiarsi o rovesciarsi e causare danni.



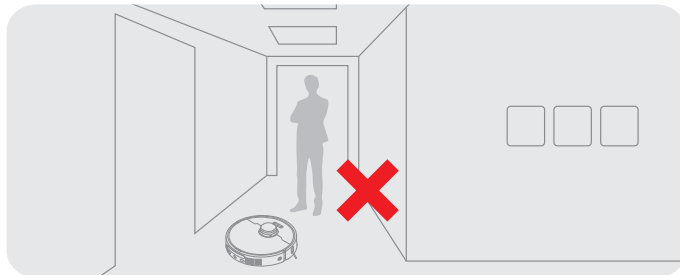
Aprire la porta della stanza da pulire e sistemare i mobili al loro posto per lasciare più spazio.

Nota:

- Quando si utilizza il robot per la prima volta, seguirlo durante la pulizia per eliminare in tempo eventuali ostacoli.
- Le luci a LED ausiliarie forniranno un'illuminazione ausiliaria negli ambienti scarsamente illuminati.
- Non aspirare oggetti duri come pietre, sfere d'acciaio e parti di giocattoli, né oggetti appuntiti come rifiuti edili, vetri rotti e chiodi, per evitare di graffiare il pavimento.



Prima della pulizia, posizionare una barriera fisica sul bordo delle scale e del divano per garantire il funzionamento sicuro e senza intoppi del robot.

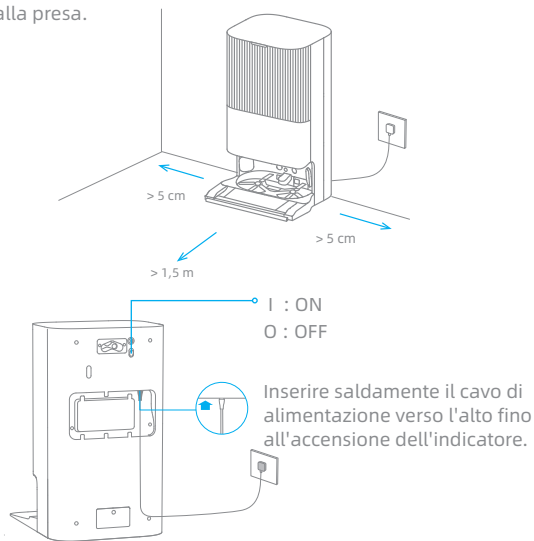


Per evitare che il robot non riconosca le aree da pulire, non sostare davanti al robot, alle soglie, ai corridoi o ai luoghi angusti.

Prima dell'uso

1. Posizionare la stazione base e collegarla a una presa elettrica

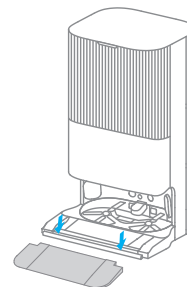
Collocare la stazione base in una posizione il più possibile aperta e con un buon segnale Wi-Fi. Rimuovere gli oggetti che si trovano a una distanza inferiore a 1,5 m dalla parte anteriore e a 5 cm da entrambi i lati della stazione base. Inserire il cavo di alimentazione nella stazione base e collegarlo alla presa.



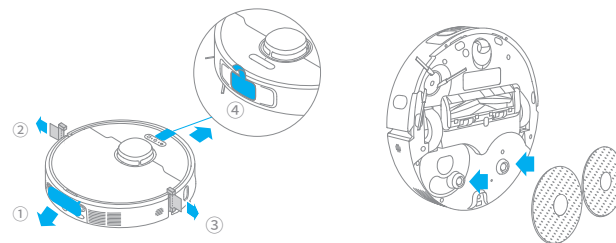
Nota:

- Assicurarsi che nessun oggetto possa bloccare l'area di segnalazione.
- Per evitare che le macchie d'acqua bagnino i pavimenti in legno o i tappeti, si consiglia di posizionare la stazione base su pavimenti in piastrelle o in marmo.


2. Installare la piastra di estensione della rampa

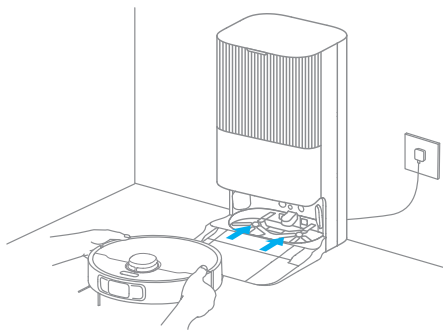


3. Rimuovere le protezioni del robot e installare il gruppo mocio



4. Collegare il robot alla stazione base

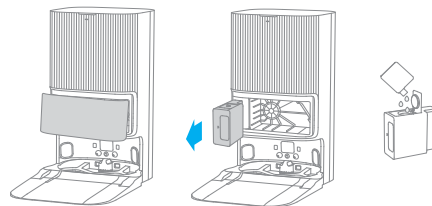
Tenere premuto il pulsante  sul robot per 3 secondi per accenderlo. Posizionare il robot sulla stazione base con il gruppo mocio rivolto verso l'asse di lavaggio. Quando il robot si connette con successo alla stazione base, viene emessa una notifica vocale.



Nota: si raccomanda di caricare completamente il robot prima del suo primo utilizzo. Se non è possibile accendere il robot dopo l'esaurimento della batteria, collegare manualmente il robot alla stazione per caricarlo.

5. Aggiungere la soluzione detergente

- (1) Rimuovere il coperchio del contenitore della polvere ed estrarre lo scomparto del detergente automatico.
- (2) Aprire il coperchio superiore dello scomparto e aggiungere la soluzione detergente.
- (3) Chiudere il coperchio dello scomparto, reinserirlo nella stazione base e rimontare il coperchio del contenitore della polvere. La soluzione detergente verrà aggiunta automaticamente durante il lavoro.

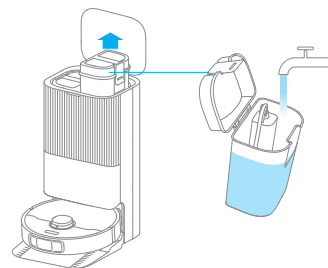


Nota:

- Per evitare malfunzionamenti, non aggiungere altri liquidi oltre alla soluzione detergente ufficialmente approvata.
- Installare lo scomparto del detergente automatico finché non scatta in posizione.

6. Aggiungere acqua al serbatoio dell'acqua pulita

Estrarre il serbatoio dell'acqua pulita dalla stazione base e riempirlo con acqua pulita. Quindi reinserirlo nella stazione base.

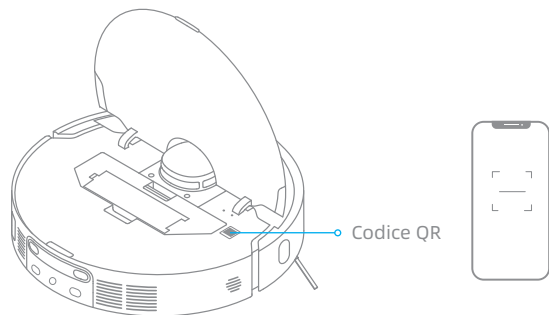


Nota: Non aggiungere acqua calda nel serbatoio dell'acqua per evitare che il serbatoio si deformi.

Collegamento con l'App Dreamehome

1. Scarica l'App Dreamehome

Effettuare la scansione del codice QR, oppure cercare "Dreamehome" nell'App Store per scaricare e installare l'app.



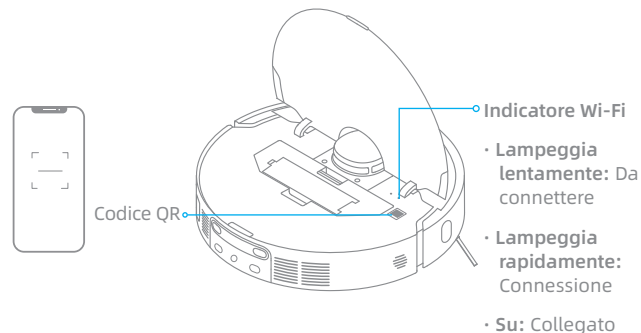
Nota:

- È supportato solo il Wi-Fi a 2,4 GHz.
- A causa degli aggiornamenti del software dell'App, le operazioni effettive potrebbero differire dalle indicazioni contenute nel presente manuale. Seguire le istruzioni in base alla versione attuale dell'App.

2. Aggiungere dispositivo



Aprire l'App Dreamehome, toccare "+" nell'angolo in alto a destra e scansionare nuovamente lo stesso codice QR sul robot per aggiungere il dispositivo. Seguire le istruzioni per completare la connessione Wi-Fi.

Nota: Se si desidera ripristinare il Wi-Fi, ripetere il passaggio 2 e seguire le istruzioni per completare la connessione Wi-Fi.



Come si usa

Accensione/spengimento

Premere e tenere premuto il pulsante  per 3 secondi per accendere il robot. L'indicatore di alimentazione dovrebbe essere acceso. Collocare il robot sulla stazione base, il robot si accenderà automaticamente e inizierà a caricarsi. Per spegnere il robot, allontanarlo dalla stazione base e tenere premuto il pulsante  per 3 secondi.

Mappatura veloce

Dopo aver configurato la rete per la prima volta, seguire le istruzioni dell'App per creare rapidamente una mappa. Il robot inizierà a tracciare una mappa senza pulire. Quando il robot torna alla stazione base, il processo di mappatura è stato completato e la mappa viene salvata automaticamente.

Pausa/Riposo

Quando il robot è in funzione, premere un pulsante qualsiasi per metterlo in pausa. Se il robot rimane in pausa per più di 10 minuti, entra automaticamente in modalità di riposo. Tutti gli indicatori del robot si spengono. Premere un pulsante qualsiasi del robot o utilizzare l'app per attivarlo.

Nota: Se il robot viene messo in pausa e posizionato sulla stazione di ricarica, il compito di pulizia in corso viene interrotto.

Ripresa automatica della pulizia

Se la batteria è troppo scarica, il robot torna automaticamente alla stazione base per ricaricarsi. Dopo la ricarica al livello di batteria appropriato, riprenderà le attività di pulizia non ancora concluse.

Nota: Per utilizzare questa funzione, abilitarla nell'App.


Modalità Non disturbare (DND)

Quando il robot è impostato sulla modalità Non disturbare (DND), il robot non può riprendere la pulizia e l'indicatore di alimentazione si spegne. La modalità DND è disattivata per impostazione predefinita in fabbrica. Con l'App è possibile attivare la modalità DND o modificare il periodo di DND. Per impostazione predefinita, il periodo di DND va dalle 22:00 alle 8:00.


Nota:

- Le attività di pulizia programmate saranno eseguite come di consueto durante il periodo di DND.
- Alla scadenza del periodo di DND, il robot riprenderà la pulizia dal punto in cui l'aveva lasciata.

Pulizia localizzata

Quando il robot è in standby, premere brevemente il pulsante  per attivare la modalità di pulizia localizzata. In questa modalità, il robot pulisce un'area quadrata di 1,5 x 1,5 metri intorno a sé e torna al punto di partenza una volta completata la pulizia localizzata.

Riavvio del robot

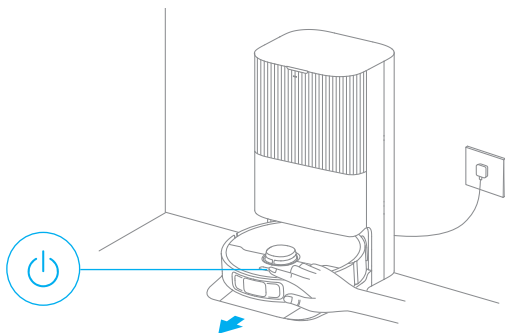
Se il robot smette di rispondere o non può essere spento, tenere premuto il pulsante  per 10 secondi per spegnerlo. Quindi, tenere premuto il pulsante  per 3 secondi per accendere il robot.

Aspirazione e lavaggio

Nota: Nota: quando si utilizza il gruppo mocio per la prima volta, il robot esegue il compito "Aspirazione e mocio" per impostazione predefinita.

1. Avvio della pulizia

Premere il pulsante  sul robot, oppure utilizzare l'App per far partire il robot dalla stazione base. Quindi il robot pianifica il percorso di pulizia ottimale ed esegue l'operazione di pulizia in base alla mappa creata.

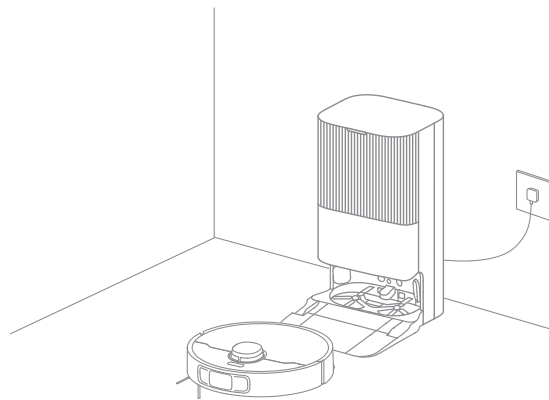


Nota:

- Per garantire che il robot torni facilmente alla stazione base dopo la pulizia, si raccomanda di far partire il robot dalla stazione base.
- I tamponi del mocio verranno puliti prima che il robot inizi a pulire, attendere pazientemente.
- Non spostare la stazione base, il serbatoio dell'acqua pulita, il serbatoio dell'acqua usata o l'asse di lavaggio durante il funzionamento.
- La pulizia con acqua calda può essere attivata nell'App per le attività di pulizia del tampone del mocio e della base dell'asse di lavaggio, e questo vale per tutte le modalità. Per evitare scottature, non toccare l'uscita dell'acqua quando la funzione è attiva.

2. Lavaggio automatico del mocio

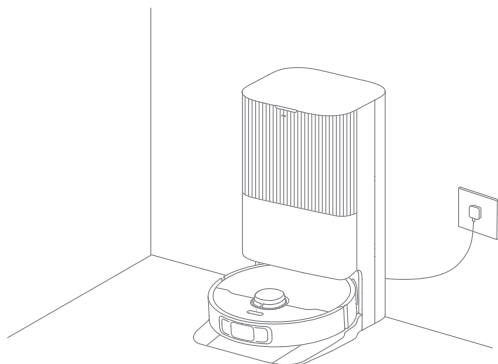
Durante la pulizia, il robot torna automaticamente alla stazione base per lavare i tamponi del mocio in base alla frequenza di pulizia degli stessi specificata nell'App. La stazione base riempirà automaticamente il serbatoio dell'acqua del robot e quest'ultimo riprenderà le operazioni di pulizia.



Come si usa

3. Svuota automaticamente il contenitore della polvere e lava e asciuga i tamponi del mocio

Dopo che il robot ha terminato un'attività di pulizia e torna alla stazione base per ricaricarsi, la stazione base inizierà automaticamente a svuotare il contenitore della polvere. Poi laverà e asciugherà i moci.



Nota:

- Se la funzione di svuotamento automatico è disattivata nell'App, la stazione base non svuoterà automaticamente il contenitore della polvere.
- La stazione base svuoterà il contenitore della polvere in base alle impostazioni dell'App.

4. Pulire il serbatoio dell'acqua usata

Dopo che il robot ha completato il suo compito, ti preghiamo di pulire il serbatoio dell'acqua usata per evitare qualsiasi odore.

Lavare dopo aver passato l'aspirapolvere

Selezionare "Lavaggio dopo l'aspirazione" nell'App e il robot rimuoverà automaticamente il gruppo mocio sulla stazione base per aspirare il pavimento. Al termine dell'aspirazione, il robot tornerà alla stazione base per installare il gruppo mocio e la stazione base inizierà automaticamente a svuotare il contenitore della polvere. Quindi, il robot inizierà a pulire dopo aver sollevato la spazzola principale e la spazzola laterale.

Solo aspirapolvere

Abilitare la funzione di aspirazione nell'App e il robot rimuoverà automaticamente il gruppo mocio sulla stazione base e inizierà ad aspirare.

Solo lavaggio

Selezionare la funzione di lavaggio nell'App e il robot controllerà automaticamente se il gruppo mocio è installato sulla stazione base. In caso contrario, il robot installerà il gruppo mocio e inizierà a pulire dopo aver sollevato la spazzola principale.

Manutenzione ordinaria

Parti di ricambio

Per mantenere il robot in buone condizioni, si raccomanda di fare riferimento all'utilizzo degli accessori nell'App o alla tabella seguente per la manutenzione ordinaria.

Parte	Frequenza di manutenzione	Periodo di sostituzione
Serbatoio dell'acqua usata	Dopo ogni utilizzo	/
Serbatoio dell'acqua pulita	Una volta ogni 2 settimane	/
Spazzola principale		Ogni 6-12 mesi
Filtro del contenitore della polvere		Ogni 3-6 mesi
Spazzola laterale		/
Supporto per il tampone del mocio		/
Piastra di lavaggio	Una volta ogni 2 mesi	/
Area di segnalazione della stazione base	Una volta al mese	/
Contatti di ricarica della stazione base		
Bocchetta di svuotamento automatico della stazione base		
Ruota omnidirezionale		
Sensore di bordo		
Sensore di distanza laser (LDS)		
Sensori laser 3D a doppia linea		

Parte	Frequenza di manutenzione	Periodo di sostituzione	
Sensore tappeto	Una volta al mese	/	
Sensori di dislivello			
Finestra paraurti			
Contatti di ricarica del robot			
Paraurti			
Bocchetta di svuotamento automatico del robot			
Ingresso per il rifornimento automatico di acqua del robot			
Fondo del robot			
Contenitore della polvere			Pulire se necessario
Sacchetto per la polvere			/
Tampone del mocio	/	Ogni 1-3 mesi	

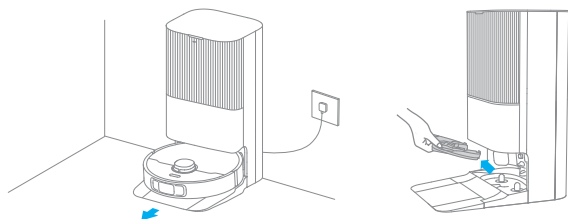
Nota: La frequenza di sostituzione dipende dall'utilizzo del robot. Se si verifica un'eccezione dovuta a circostanze particolari, le parti devono essere sostituite.

IT Manutenzione ordinaria

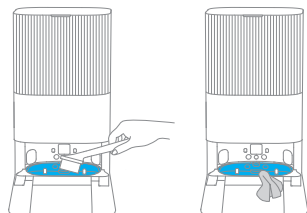
Base dell'asse di lavaggio

La stazione base esegue l'autopulizia dell'asse di lavaggio insieme a ogni pulizia del tampone del mocio. Per una pulizia profonda, fare riferimento ai passi seguenti.

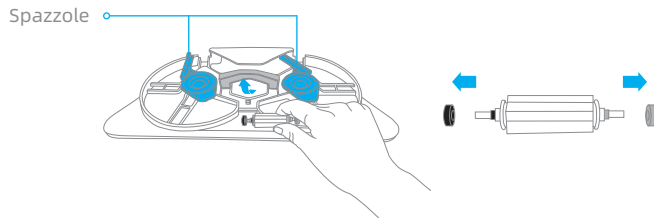
1. Abilitando la funzione di pulizia della base dell'asse di lavaggio nell'App, il robot uscirà automaticamente dalla stazione base. Estrarre l'asse e attendere che l'acqua riempia la base.



2. Utilizzare l'utensile di pulizia per pulire la base dell'asse di lavaggio. Dopo qualche istante, la stazione base provvederà a pompare fuori automaticamente l'acqua utilizzata. Pulire quindi la base dell'asse con un panno morbido e asciutto.



3. Capovolgere l'asse, rimuovere il coperchio del rullo e il rullo a sua volta, quindi estrarre le estremità del rullo.



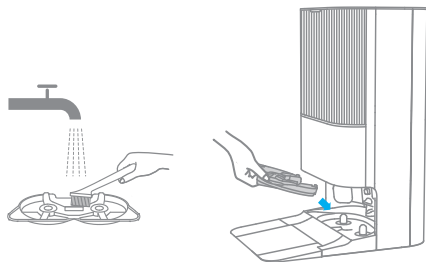
Nota: Se il coperchio del rullo è bloccato dalle spazzole su entrambi i lati dell'asse di lavaggio, ruotare il rullo per spostarle.

4. Rimuovere i capelli impigliati nel rullo, quindi rimontare le parti in base ai colori corrispondenti, come mostrato nella figura seguente.

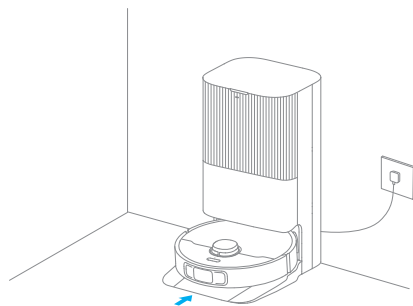


Manutenzione ordinaria

5. Sciacquare l'asse di lavaggio con acqua pulita, pulirla e reinserirla nella stazione base in modo inclinato verso il basso.



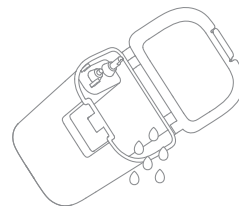
6. Utilizzare l'App o premere brevemente il pulsante  sul robot per farlo tornare alla stazione base.



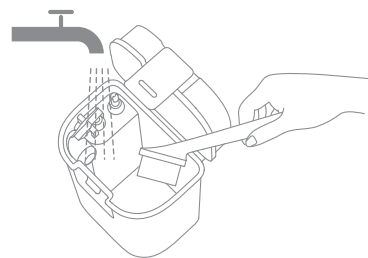
Nota: Durante la pulizia, non far tornare il robot alla stazione base.

Serbatoio dell'acqua usata

1. Rimuovere il serbatoio dell'acqua usata, aprire il coperchio e versare l'acqua.



2. Sciacquare il serbatoio dell'acqua usata con acqua pulita e utilizzare lo strumento di pulizia in dotazione per pulire la parete interna del serbatoio.

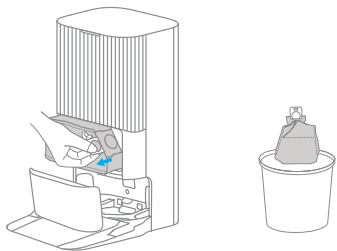


Nota: La sfera del galleggiante nel serbatoio dell'acqua usata è una parte mobile. Non applicare troppa forza durante la pulizia per evitarla di danneggiarla.

IT Manutenzione ordinaria

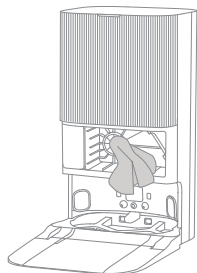
Sacchetto per la polvere

1. Rimuovere il coperchio del contenitore della polvere e gettare il sacchetto della polvere.

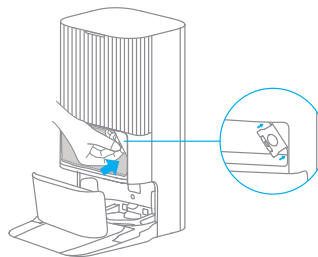


Nota: Tirando verso l'alto la maniglia, il sacchetto viene sigillato per evitare che polvere e detriti cadano accidentalmente.

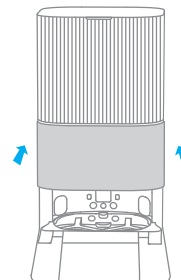
2. Rimuovere la polvere e i detriti dal filtro con un panno asciutto.



3. Installare un nuovo sacchetto per la polvere.



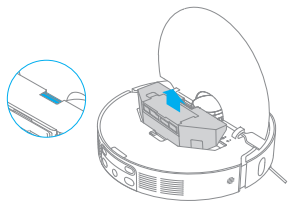
4. Reinstallare il coperchio del contenitore della polvere.



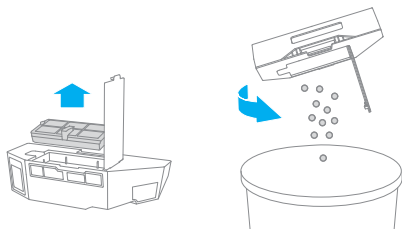
Manutenzione ordinaria

Contenitore della polvere e filtro

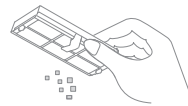
1. Aprire il coperchio del robot e premere la clip del contenitore della polvere per rimuoverlo.



2. Aprire il coperchio del contenitore della polvere, rimuovere il filtro e svuotare il contenitore della polvere come mostrato nella figura.

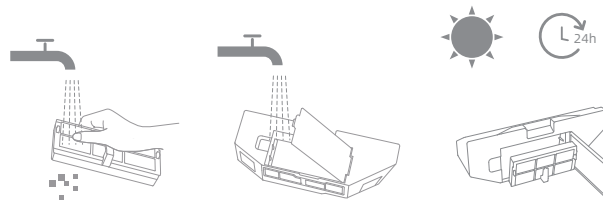


3. Picchiettare delicatamente il cestello del filtro per rimuovere lo sporco.



Nota: Non tentare di pulire il filtro con spazzole, dita o oggetti appuntiti per evitare di danneggiarlo.

4. Sciacquare il contenitore della polvere e il filtro con acqua e asciugarli completamente.

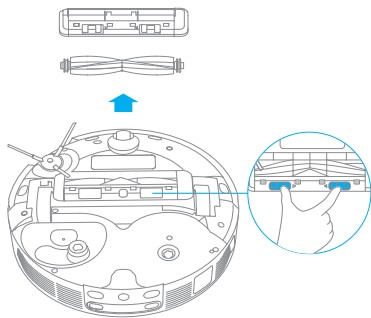


Nota:

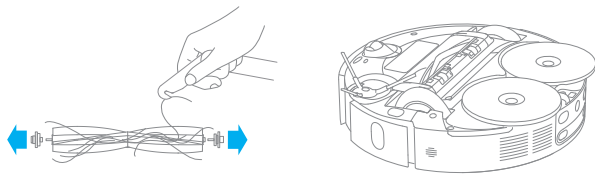
- Sciacquare il contenitore della polvere e il filtro solo con acqua pulita. Non utilizzare alcun detergente.
- Utilizzare il contenitore della polvere e il filtro solo quando sono completamente asciutti.

Spazzola principale

1. Premere i fermi della protezione della spazzola verso l'interno per rimuoverla e sollevare la spazzola dal robot.

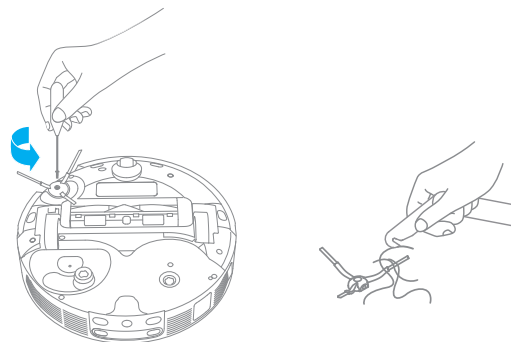


2. Estrarre i coperchi delle spazzole su entrambe le estremità, come mostrato in figura. Utilizzare lo strumento di pulizia in dotazione per rimuovere i peli impigliati nella spazzola. Reinstallare i coperchi delle spazzole su entrambe le estremità della spazzola, e poi la spazzola. Premere sulla protezione della spazzola per bloccarla in posizione.



Spazzola laterale

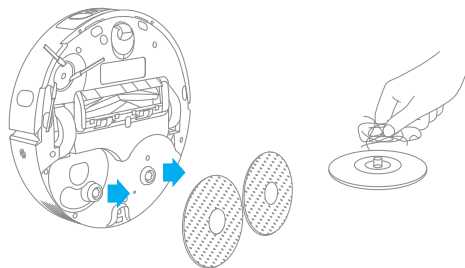
Svitare la spazzola laterale con un cacciavite, pulire i peli dalla spazzola e riavvitarla.



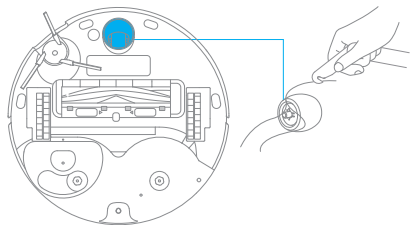
Manutenzione ordinaria

Supporto per il tampone del mocio

Rimuovere e pulire il supporto del tampone del mocio.



Ruota omnidirezionale

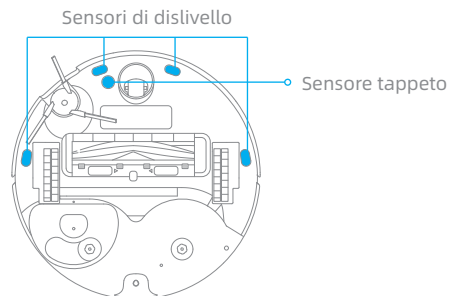
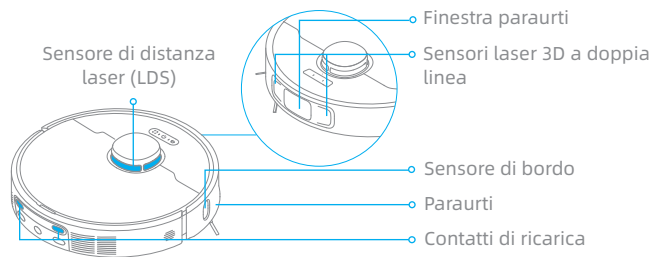


Nota:

- Utilizzare un utensile come un piccolo cacciavite per separare l'asse e il pneumatico della ruota omnidirezionale. Non usare una forza eccessiva.
- Sciacquare la ruota omnidirezionale sotto l'acqua corrente e rimontarla dopo averla asciugata completamente.

Sensori del robot e contatti di ricarica

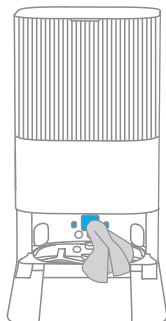
Pulire i sensori e i contatti di ricarica del robot con un panno morbido e asciutto, come mostrato nella figura seguente:



Nota: Un panno bagnato può danneggiare gli elementi sensibili del robot e della stazione base. Per la pulizia utilizzare un panno asciutto.

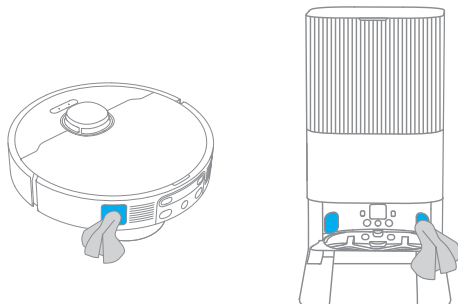
Contatti di ricarica

Pulire i contatti di ricarica e l'area di segnalazione della stazione base con un panno morbido e asciutto.



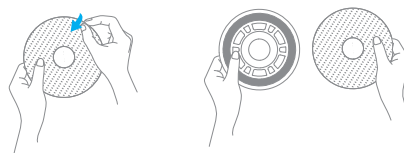
Bocchette di svuotamento automatico

Pulire le bocchette di svuotamento automatico del robot e della stazione base con un panno morbido e asciutto.



Tampone del mocio

Per sostituirlo, rimuovere il tampone dal relativo supporto.





Batteria


Il robot contiene una batteria agli ioni di litio ad alte prestazioni. Assicurarsi che la batteria rimanga ben carica durante l'uso quotidiano per mantenere prestazioni ottimali. Se il robot non viene utilizzato per un tempo prolungato, spegnerlo e metterlo via. Per evitare danni dovuti a scariche eccessive, caricare il robot almeno una volta ogni tre mesi.

Problema	Soluzione
Il robot non si accende.	La batteria è scarica. Ricaricare il robot sulla base e riprovare. La temperatura della batteria è troppo bassa o troppo alta. Si raccomanda di far funzionare l'apparecchio a una temperatura compresa tra 32 °F (0 °C) e 104 °F (40 °C).
Il robot non si carica.	La stazione base non è collegata all'alimentazione, accertarsi che entrambe le estremità del cavo di alimentazione siano collegate correttamente. Il contatto tra i contatti di ricarica della stazione base e il robot è insufficiente; pulire i contatti di ricarica. Verificare la presenza di oggetti estranei sul connettore del robot ed eventualmente rimuoverli.
Il robot non riesce a connettersi al Wi-Fi.	La password della rete Wi-Fi non è corretta. Assicurarsi che la password utilizzata per la connessione alla rete Wi-Fi sia corretta. Il robot non supporta una connessione Wi-Fi a 5 GHz. Assicurarsi che il robot sia collegato a una connessione Wi-Fi a 2,4 GHz. Il segnale Wi-Fi è debole. Assicurarsi che il robot si trovi in un'area con una buona copertura Wi-Fi. Il robot potrebbe non essere pronto per essere configurato. Uscire e rientrare nell'App, quindi riprovare come indicato.
Il robot non riesce a trovare e a tornare alla stazione base.	La stazione base viene scollegata dall'alimentazione o spostata quando il robot non è su di essa. Collegare la stazione base all'alimentazione o di posizionare il robot sulla stazione base per caricarlo. Ci sono troppi ostacoli intorno alla stazione base. Posizionare la stazione base in un'area più aperta. Lo spostamento del robot può provocare il suo riposizionamento e, se il riposizionamento non riesce, il robot ricrea una mappa. Se il robot è troppo lontano dalla stazione base, potrebbe non essere in grado di tornare automaticamente da solo, nel qual caso sarà necessario posizionare manualmente il robot sulla stazione base. Pulire l'area di segnalazione della stazione base per rimuovere polvere o detriti.
Il robot si blocca davanti alla stazione base e non può tornare indietro.	Eliminare qualsiasi ostacolo entro 5 cm sui lati destro e sinistro o entro 1,5 m davanti alla stazione base per evitare che il robot venga bloccato. Il percorso di ritorno alla carica è bloccato, ad esempio la porta è chiusa. Il robot può scivolare se il pavimento davanti alla stazione base è troppo bagnato. In tal caso, pulire l'acqua in eccesso prima di riprovare. Si consiglia di spostare la stazione base in un altro luogo e riprovare. Assicurarsi che la piastra di estensione della rampa sia installata correttamente.

IT Risoluzione dei problemi

Problema	Soluzione
Il robot non si spegne.	Il robot non può essere spento quando è in carica. Si consiglia di allontanare il robot dalla stazione base e di tenere premuto il pulsante  per 3 secondi per spegnerlo. Se non è possibile spegnere il robot eseguendo il punto 1, tenere premuto il pulsante  per 10 secondi per spegnere forzatamente il robot. Se il problema persiste, contattare il servizio post-vendita.
La velocità di ricarica è lenta.	La ricarica completa del robot richiede circa 4,5 ore quando la batteria è scarica. Se si utilizza il robot a temperature che non rientrano nell'intervallo specificato, la velocità di ricarica rallenterà automaticamente per prolungare la durata della batteria. I contatti di ricarica del robot e della base potrebbero essere sporchi; pulirli con un panno asciutto.
Il rumore aumenta durante il funzionamento del robot.	Controllare se il filtro del contenitore della polvere è intasato. In tal caso, pulirlo o sostituirlo. Un oggetto duro può rimanere incastrato nella spazzola principale o nel contenitore della polvere. Controllare e rimuovere eventuali oggetti duri. La spazzola principale o quella laterale potrebbero incastrarsi. Controllare e rimuovere eventuali corpi estranei. Commutare la modalità di aspirazione su Standard o Silenzioso.
Il robot si muove senza seguire il percorso impostato.	Oggetti come cavi di alimentazione e pantofole devono essere messi via prima di utilizzare il robot. Il lavoro su superfici bagnate e scivolose provoca lo slittamento della ruota principale. Si raccomanda di asciugare i punti bagnati prima di utilizzare il robot. Pulire la finestra del paraurti e i sensori laser 3D a doppia linea del robot con un panno morbido e pulito per mantenerli puliti e non ostruiti.
Il robot non trova le stanze da pulire.	Assicurarsi che le porte delle stanze da pulire siano aperte. Verificare se la soglia della porta della stanza è più alta di circa 2 cm. Il robot non può superare soglie o gradini alti. Il luogo antistante la stanza da pulire potrebbe essere bagnato e scivoloso, causando lo scivolamento del robot e un funzionamento anomalo. Prima di utilizzare il robot, provare ad asciugare il pavimento.

Risoluzione dei problemi

Problema	Soluzione
Il robot non riprende la pulizia dopo la ricarica.	Assicurarsi che il robot non sia impostato sulla modalità Non disturbare (DND), che gli impedisce di riprendere la pulizia. Il robot non riprende la pulizia dopo che è stato riportato manualmente alla stazione base o inviato alla ricarica tramite l'App o il pulsante  .
La stazione non può svuotare automaticamente il contenitore della polvere.	Controllare se il sacchetto della polvere nel contenitore è pieno. Se il sacchetto della polvere non è pieno, verificare se ci sono ostruzioni nelle bocchette di svuotamento automatico del robot, della stazione base o del contenitore della polvere. Se ci sono, pulire prontamente la parte bloccata.
Il livello dell'acqua nell'asse di lavaggio è anomalo.	Controllare se la guarnizione del serbatoio dell'acqua usata è allentata o non è installata correttamente e, in tal caso, ripristinarla manualmente. Se il problema persiste, contattare il servizio post-vendita. Premere delicatamente sul serbatoio dell'acqua usata per verificare che sia installato correttamente. Rimuovere l'asse di lavaggio e controllare se lo scarico delle acque reflue è ostruito e pulirlo. Controllare la soluzione detergente. Non aggiungere altri liquidi oltre alla soluzione detergente ufficialmente approvata.
Il supporto del mocio è sollevato in modo anomalo.	Rimuovere il supporto del mocio per verificare che non vi siano oggetti estranei incastrati e provare a riavviare il robot. Se il problema persiste, contattare il servizio post-vendita.
Presenza di acqua sotto il serbatoio dell'acqua pulita o intorno alla guarnizione.	Quando si estrae il serbatoio dell'acqua pulita, è possibile che rimanga dell'acqua nel tubo sotto il serbatoio o intorno alla guarnizione. Questo è normale Pulire con un panno asciutto.

Per ulteriore supporto, contattateci tramite <https://global.dreametech.com>

Robot

Modello	RLX63CE/RLX63CE-2
Tempo di ricarica	Circa 4,5 ore
Tensione nominale	14,4 V $\overline{\text{---}}$
Potenza nominale	75 W
Frequenza di funzionamento	2400-2483,5 MHz
Potenza di uscita massima	<20 dBm

Stazione base

Modello	RCXE0307/RCXE0307-5
Ingresso nominale	220-240 V~ 50-60 Hz
Uscita nominale	20 V $\overline{\text{---}}$ 2 A
Potenza nominale (durante lo svuotamento della polvere)	700 W
Potenza nominale (durante la pulizia con acqua calda)	1160 W
Potenza nominale (durante la carica e l'asciugatura)	89 W

In condizioni normali di utilizzo, questa apparecchiatura deve essere tenuta a una distanza di almeno 20 cm tra l'antenna e il corpo dell'utente.

Nota:

- La potenza nominale (durante la pulizia con acqua calda) è determinata dal valore della potenza durante il periodo rappresentativo (temperatura dell'acqua 25 °C).
- La potenza nominale (durante la carica e l'asciugatura) è determinata dal valore della potenza a pieno carico.

Scatola	Manuale	Manuale	Pellicola	Pellicola	Borsa	Maniglia	Pellicola
PAP 20	PAP 21	PAP 22	PVC 3	PET 1	CPE 7	PE 4/PP 5	PP 5
Carta			Plastica				
RACCOLTA DIFFERENZIATA							
Verifica le disposizioni del tuo Comune. Separa le componenti e conferiscile in modo corretto.							

Smaltimento e rimozione della batteria

La batteria agli ioni di litio incorporata contiene sostanze pericolose per l'ambiente. Prima di smaltire la batteria, assicurarsi che venga rimossa da tecnici qualificati e smaltita presso un centro di riciclo appropriato.

- la batteria deve essere rimossa dall'apparecchio prima di essere rottamata;
- l'apparecchio deve essere scollegato dalla rete di alimentazione quando si rimuove la batteria;
- la batteria deve essere smaltita in modo sicuro.

ATTENZIONE:

Prima di rimuovere la batteria, scollegare l'alimentazione e scaricare il più possibile la batteria.

Le batterie non necessarie devono essere smaltite presso un impianto di riciclo appropriato.

Non esporre a temperature elevate per evitare rischi di esplosione.

In caso di condizioni difficili, è possibile che il liquido venga espulso dalla batteria. In caso di contatto, sciacquare con acqua e consultare un medico.

Guida alla rimozione:

1. Capovolgere il robot, utilizzare uno strumento appropriato per rimuovere le viti sul retro del robot, quindi rimuovere il coperchio.
2. Scollegare i terminali tra la batteria e la scheda PCB per rimuovere la batteria.

Informazioni sui RAEE



Tutti i prodotti contrassegnati da questo simbolo sono rifiuti di apparecchiature elettriche ed elettroniche (RAEE come da direttiva 2012/19/UE) che non devono essere mescolati con i rifiuti domestici indifferenziati. Per proteggere la salute umana e l'ambiente, invece, è necessario consegnare i rifiuti di apparecchiature a un punto di raccolta designato per il riciclaggio dei rifiuti di apparecchiature elettriche ed elettroniche, nominato dal governo o dalle autorità locali. Lo smaltimento e il riciclo corretti aiutano a prevenire potenziali conseguenze negative per l'ambiente e la salute umana. Per ulteriori informazioni sull'ubicazione e sui termini e le condizioni di tali punti di raccolta, contattare l'installatore o le autorità locali.

Información sobre seguridad

Para evitar una descarga eléctrica, incendios o lesiones provocados por un uso indebido del aparato, debe leer el manual de usuario cuidadosamente antes de usar el aparato y guardarlo para consultas futuras.

Restricciones de uso

- Este producto no debe ser usado por niños de menos de 8 años ni personas con deficiencias físicas, sensoriales, intelectuales, o experiencia o conocimiento limitados sin la supervisión de un adulto o tutor para asegurar un uso seguro y evitar riesgos. La limpieza y el mantenimiento no deben ser realizados por niños sin supervisión.
- El aparato únicamente se debe usar con la unidad de suministro de energía proporcionada con el aparato.
- Este aparato cuenta con baterías que únicamente pueden ser sustituidas por personas cualificadas.
- Despeje el área a limpiar. Los niños no deben jugar con el aparato. Asegúrese de que niños y mascotas se encuentren a una distancia segura del robot mientras esté en funcionamiento.
- No instale, cargue o use el aparato en los baños o alrededor de las piscinas.
- Este producto es únicamente para la limpieza de suelos en un entorno doméstico. No lo use en exteriores, en superficies que no sean el suelo, ni en un establecimiento comercial o industrial.
- Asegúrese de que el aparato funciona correctamente en un ambiente apropiado. De otro modo, no use el aparato.
- Si el cable de alimentación está dañado, debe ser sustituido por un cable especial o conjunto suministrado por el fabricante o su agente de servicio.

- Restricciones de uso**
- No use el robot en un área suspendida por encima del nivel del suelo sin barrera protectora.
 - No coloque el robot boca abajo. No use la cubierta del LDS, la cubierta del robot o el paragolpes como asa para el robot.
 - Use el robot en ambientes con una temperatura ambiente por encima de 0 °C y por debajo de 40 °C. Asegúrese de no haya líquido o sustancias pegajosas en el suelo.
 - Para evitar daños por arrastre, despeje los objetos sueltos del suelo y retire los cables o los cables de alimentación del camino de limpieza antes de poner en funcionamiento el aparato.
 - Retire artículos frágiles o pequeños del suelo para impedir que el robot choque con ellos y los dañe.
 - Mantenga el pelo, los dedos y otras partes corporales lejos de la abertura de succión del robot.
 - Mantenga la herramienta de limpieza fuera del alcance de los niños.
 - No utilice el aparato en una habitación en la que duermen bebés o niños.
 - No coloque niños, mascotas o algún artículo encima del robot, independientemente de si está parado o en movimiento.
 - Únicamente agua limpia y la solución de limpieza oficialmente aprobada pueden añadirse al depósito de agua limpia. No añada otros líquidos tales como alcohol o desinfectante. La proporción de solución de limpieza y agua limpia puede comprobarse en la botella de solución de limpieza. Mantenga la

Información sobre seguridad

- Restricciones de uso** solución de limpieza fuera del alcance de los niños.
- No use el robot para limpiar objetos ardiendo. No use el robot para recoger líquidos inflamables o combustibles, gases corrosivos, o ácidos o solventes sin diluir.
 - No aspire objetos duros o afilados. No use el aparato para recoger objetos tales como piedras, pedazos grandes de papel o algún artículo que pueda taponar el aparato.
 - Antes de limpiar o realizar el mantenimiento en el aparato, hay que retirar el enchufe de la toma de corriente.
 - No restriegue el robot o la estación base con un trapo mojado ni lo enjuague con líquido. Después de limpiar piezas lavables, seque totalmente las piezas antes de volver a instalarlas y utilizarlas.
 - Use este producto según las instrucciones del Manual de Usuario. Los usuarios son responsables de cualquier pérdida o daño que puedan producirse por un uso indebido de este producto.
- Baterías y carga**
- No use baterías o estaciones base de terceros. El robot únicamente se puede usar con la estación base modelo RCXE0307/RCXE0307-5.
 - No intente usted mismo desensamblar, reparar o modificar la batería o la estación base.
 - No coloque la estación base cerca de una fuente de calor.
 - No use un trapo o las manos mojados para restregar o limpiar los contactos de carga de la estación base.

Información sobre seguridad

Baterías y carga

- No deseche incorrectamente las baterías antiguas. Las baterías no necesarias se deben desechar en instalaciones de reciclaje apropiadas.
- Si el cable de alimentación se daña o se rompe, deje de utilizarlo de inmediato y contacte con el servicio de posventa.
- Asegúrese de que el robot esté apagado cuando vaya a ser transportado y manténgalo en su embalaje original si es posible.
- Si el robot no se va a usar un periodo de tiempo prolongado, cárguelo totalmente, apáguelo y almacénelo en un lugar fresco y seco. Recargue el robot al menos una vez cada 3 meses para evitar que la batería se descargue en exceso.

Información sobre seguridad láser

- El sensor láser de este producto cumple la Norma IEC 60825-1:2014/EN 60825-1:2014/A11:2021 para productos láser Clase 1. Cuando lo use, evite el contacto directo con los ojos.

PRODUCTO LÁSER CLASE 1

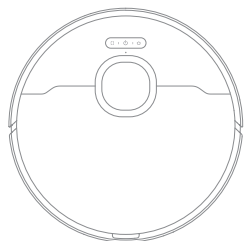
PRODUCTO LÁSER DE CONSUMO

EN 50689:2021

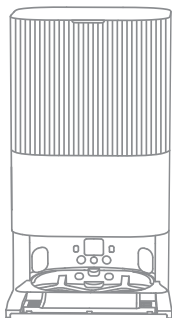
Por la presente, Dreame Trading(Tianjin) Co., Ltd. declara que el equipo de radio tipo RLX63CE/RLX63CE-2 cumple la Directiva 2014/53/UE. El texto completo de la declaración de conformidad de la UE está disponible en la siguiente dirección de Internet: <https://global.dreametech.com>
Para un manual electrónico detallado, vaya a la dirección <https://global.dreametech.com/pages/user-manuals-and-faqs>

Descripción general del producto

Contenido del embalaje (Dreame X40 Ultra)



Robot



Estación base

Otros accesorios



Cable de alimentación



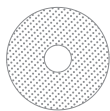
Placa de extensión de rampa de la estación base



Manual de Usuario



Compartimento de detergente automático (preinstalado)



Mopa x2 (preinstaladas)



Soporte de almohadilla de mopa x2



Bolsa de polvo x2 (1 preinstalada)



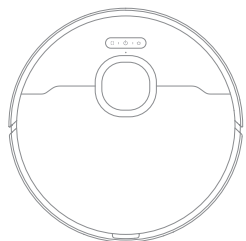
Herramienta de limpieza



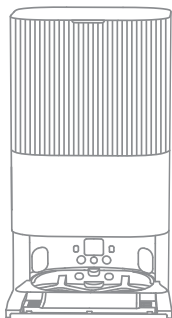
Solución de limpieza

Descripción general del producto

Contenido del embalaje (Dreame X40 Ultra Complete)

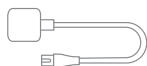


Robot

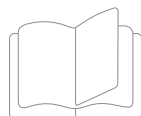


Estación base

Otros accesorios



Cable de alimentación



Manual de Usuario



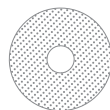
Placa de extensión de rampa de la estación base



Compartimento de detergente automático (preinstalado)



Herramienta de limpieza



Mopa x2 (preinstaladas)



Soporte de almohadilla de mopa x2



Bolsa de polvo x2 (1 preinstalada)

Kit adicional de accesorios



Cepillo principal x 1



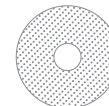
Cepillo lateral x 2



Filtro de la caja de polvo x 3



Bolsa de polvo x3



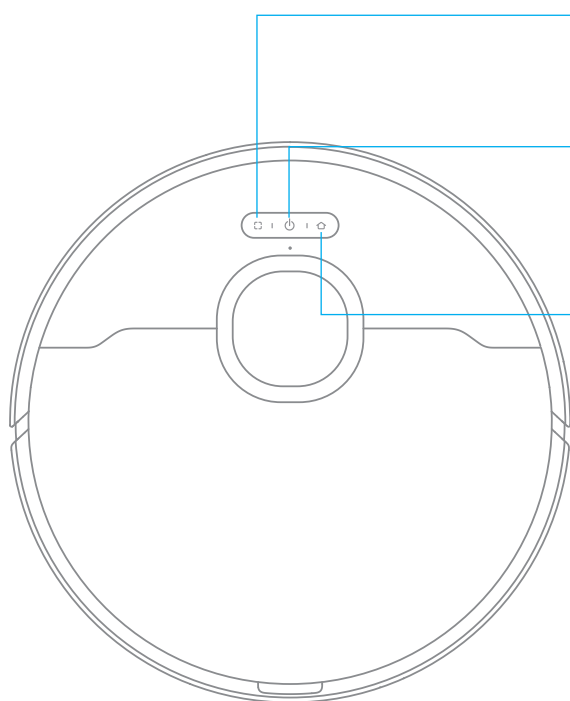
Mopa x 12



Solución de limpieza x 1

Descripción general del producto

Robot



Botón de limpieza localizada

- Pulsar para empezar la limpieza localizada

Botón de encendido / limpieza

- Mantenga pulsado durante 3 segundos para encender o apagar
- Pulse para empezar a limpiar después de encender el robot

Botón de atraque

- Pulse para enviar el robot de regreso a la estación base
- Mantenga pulsado durante 3 segundos para desactivar el bloqueo infantil

Indicador de estado

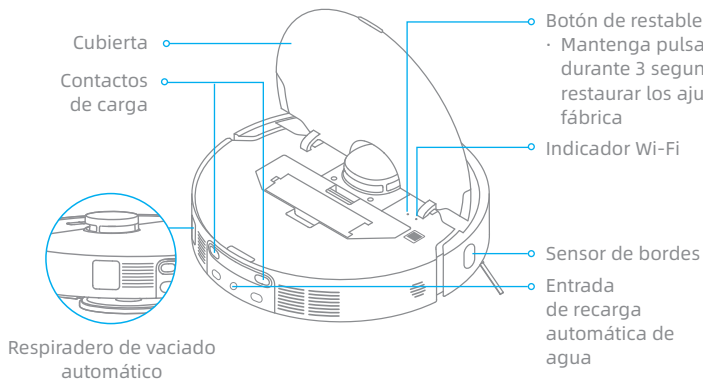
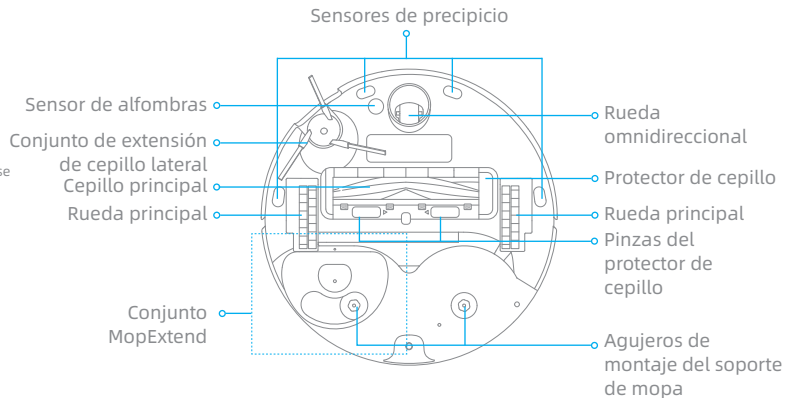
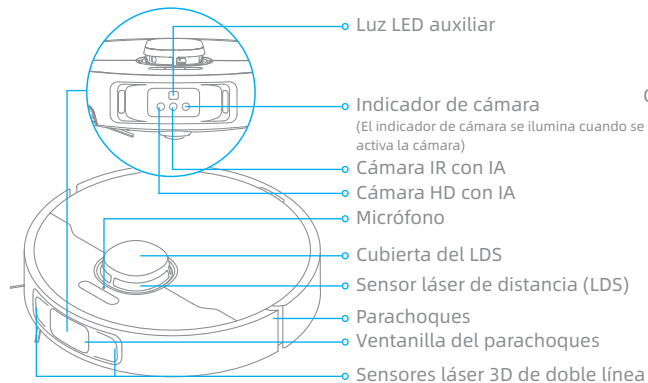
- Blanco fijo: Limpieza completada
- Parpadeo en blanco: Carga (sin batería baja)
- Naranja fijo: En espera con poca batería o pausado con poca batería
- Parpadeo en naranja: Carga (batería baja)
- Parpadeo en naranja: Error

Nota:

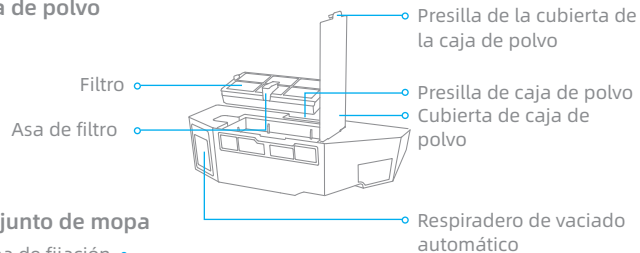
- Pulse cualquier botón en el robot para pausar mientras el robot esté limpiando o volviendo para cargar.
- El bloqueo infantil se puede activar/desactivar mediante la aplicación Dreamehome.

Descripción general del producto

Robot y sensores



Caja de polvo

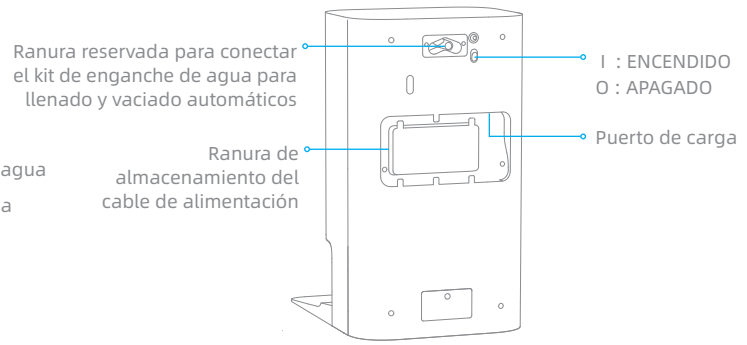
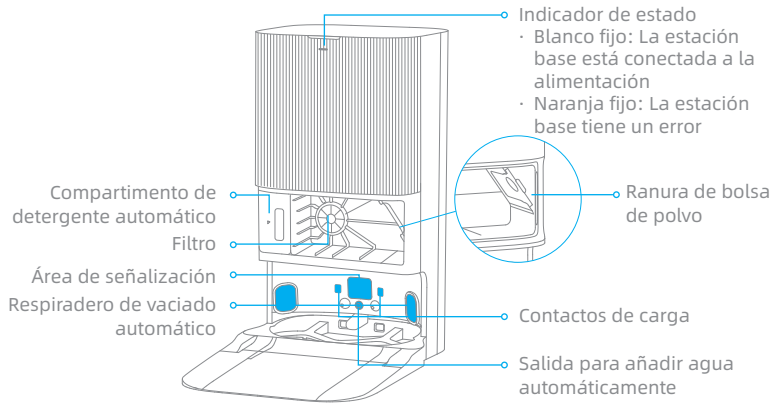
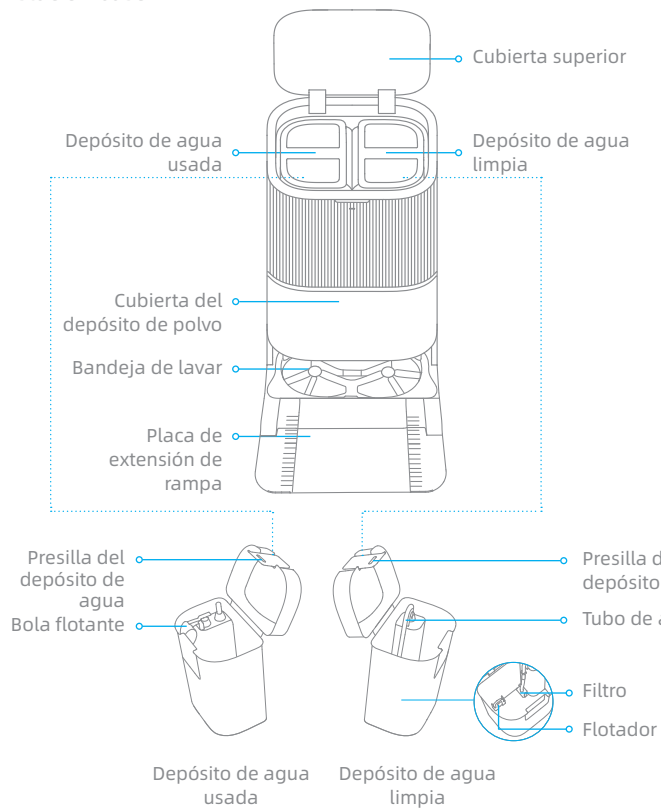


Conjunto de mopa



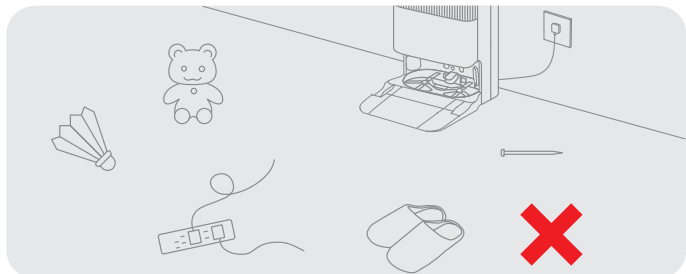
Descripción general del producto

Estación base

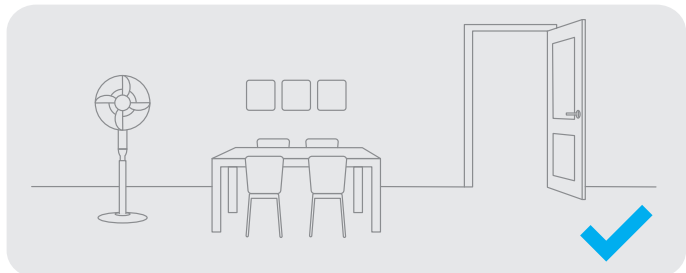


Nota: El kit de enganche de agua para llenado y vaciado automáticos se tiene que comprar por separado. (Únicamente disponible en regiones específicas)

Preparando su hogar



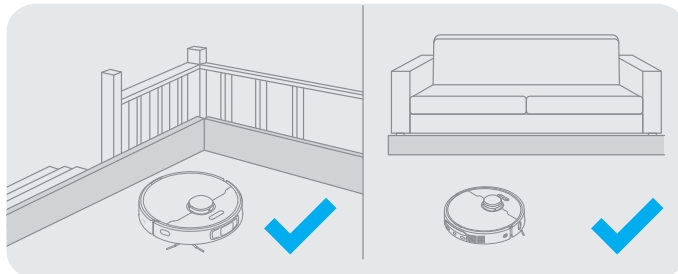
Antes de limpiar, retire los artículos inestables, frágiles, valiosos o peligrosos, y recoja los cables, la ropa, los juguetes y los objetos afilados y rígidos del suelo para evitar que se enreden, se arañen o se golpeen con el robot causando pérdidas.



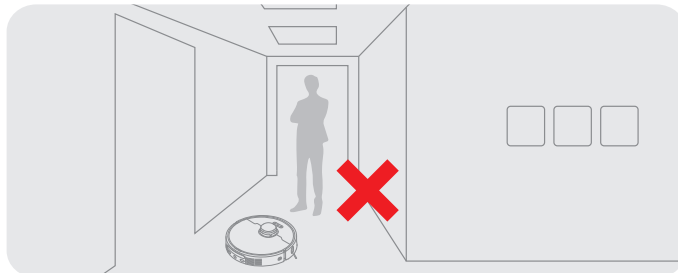
Abra la puerta de la habitación que va a limpiar y coloque los muebles en el lugar apropiado para hacer más espacio.

Nota:

- Cuando utilice el robot por primera vez, sígalo mientras realiza limpieza para quitar de inmediato cualquier obstáculo potencial.
- La luz LED auxiliar proporcionará iluminación auxiliar en ambientes de iluminación tenue.
- No aspire objetos rígidos como piedras, bolas de acero ni piezas de juguetes, u objetos afilados como residuos de construcción, cristales rotos y clavos, de lo contrario el suelo podría rayarse.



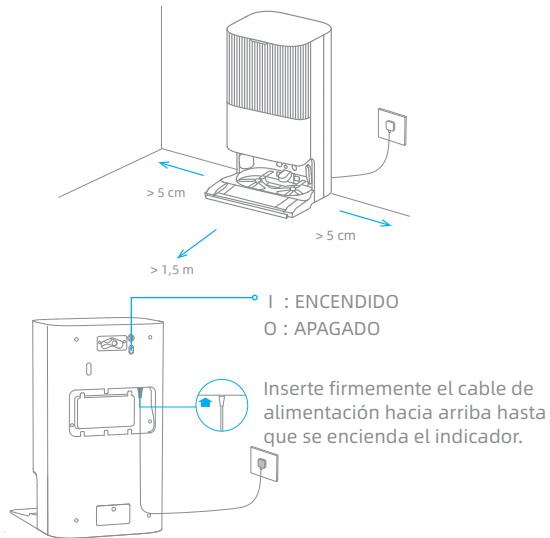
Antes de empezar a limpiar, ponga una barrera física en el borde de las escaleras y el sofá para garantizar un funcionamiento seguro y fluido del robot.



Para evitar que el robot no reconozca áreas que se tienen que limpiar, no permanezca de pie delante del robot, en el umbral, el pasillo o lugares estrechos.

1. Colocar la estación base y conectar a una toma eléctrica

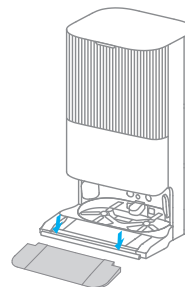
Coloque la estación base en un lugar lo más abierto posible con una buena señal Wi-Fi. Retire los objetos a menos de 1,5 m de la parte delantera y 5 cm a cada lado de la estación base. Inserte el cable de alimentación en la estación base y conéctelo a la toma.



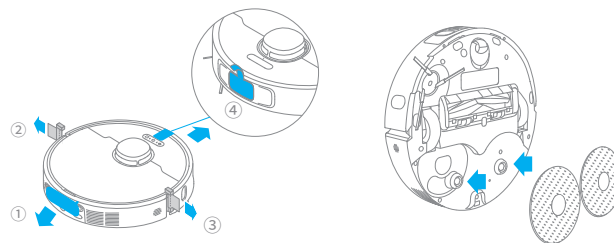
Nota:

- Asegúrese de que ningún objeto pueda bloquear el área de señalización.
- Para evitar que las manchas de agua mojen los suelos de madera o las alfombras, se recomienda colocar la estación base sobre suelos de baldosas o de mármol.

2. Instalar la placa de extensión de rampa




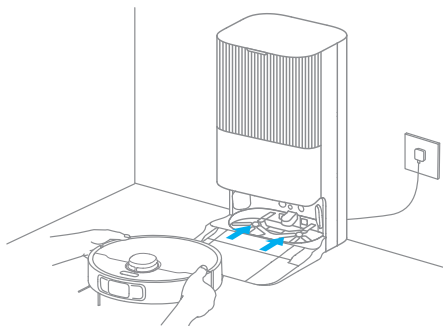
3. Retirar las protecciones del robot e instalar el conjunto de mopa



Antes de usar

4. Conectar el Robot a la estación base

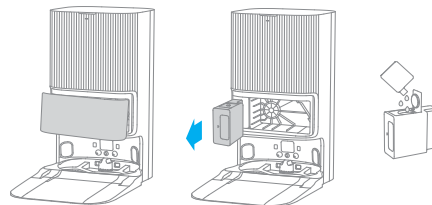
Mantenga pulsado el botón  en el robot durante 3 segundos para encenderlo. Coloque el robot sobre la estación base con el conjunto de mopa mirando hacia la bandeja de lavar. Se oirá una notificación por voz cuando el robot se conecte con éxito a la estación base.



Nota: Antes de usarlo por primera vez, se recomienda cargar totalmente el robot. Cuando el robot no se pueda encender después de agotarse la batería, conecte manualmente el robot a la estación base para cargarlo.

5. Añadir la solución de limpieza

- (1) Retire la cubierta del depósito de polvo y saque el compartimento de detergente automático.
- (2) Abra la tapa superior del compartimento y añada solución de limpieza.
- (3) Cierre la tapa del compartimento, colóquelo de nuevo en la estación base y luego vuelva a montar la cubierta del depósito de polvo. La solución de limpieza se añadirá automáticamente al trabajar.

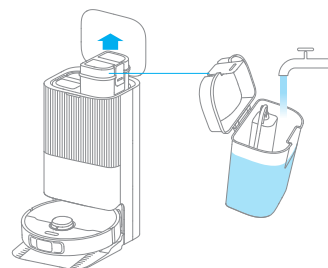


Nota:

- Para evitar un mal funcionamiento, no añada líquido distinto a la solución de limpieza oficialmente autorizada.
- Instale el compartimento de detergente automático hasta que encaje en su sitio.

6. Añada agua al depósito de agua limpia

Saque el depósito de agua limpia de la estación base y llénelo con agua limpia. A continuación instálelo de nuevo en la estación base.

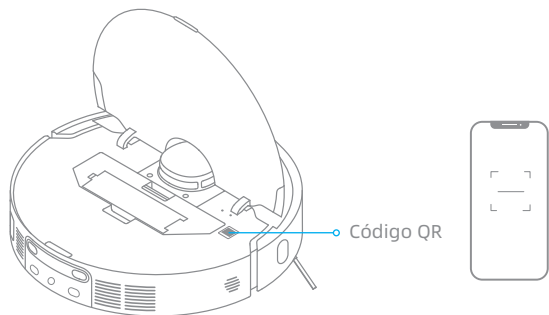


Nota: No llene el depósito de agua con agua caliente, esto podría provocar que el depósito se deforme.

Conexión con la app Dreamehome

1. Descargar la app Dreamehome

Escanee el código QR del robot, o busque "Dreamehome" en la App Store para descargarla e instalarla.



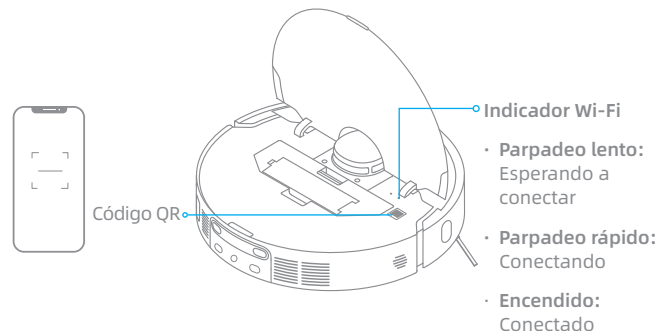
Nota:

- Únicamente es compatible con Wi-Fi de 2,4 GHz.
- Debido a actualizaciones del software de la app, el funcionamiento real puede diferir de las indicaciones que hay en este manual. Siga las instrucciones en función de la versión actual de la app.

2. Añadir un dispositivo



Abra la app Dreamehome, toque "+" en la esquina superior derecha y escanee de nuevo el mismo código QR en el robot para añadir el dispositivo. Siga las indicaciones para finalizar la conexión WiFi.

Nota: Si desea restablecer el WiFi, repita el paso 2 y luego siga las indicaciones para finalizar la conexión WiFi.



Modo de uso

Encender/apagar

Mantenga pulsado el botón  durante 3 segundos para encender el robot. El indicador de alimentación se debe iluminar. Coloque el robot sobre la estación base, el robot se debe encender automáticamente y comenzará a cargar. Para apagar el robot, aléjelo de la estación base y mantenga pulsado el botón  durante 3 segundos.

Mapeo rápido

Después de configurar la red por primera vez, siga las instrucciones de la aplicación para crear rápidamente un mapa. El robot comenzará a mapear sin limpiar. El proceso de mapeo se completará cuando el robot regrese a la estación base y el mapa se guardará automáticamente.

Pausa/Reposo

Cuando el robot esté funcionando, pulse cualquier botón para pausarlo. Si el robot está pausado más de 10 minutos, entra automáticamente en modo de reposo. Todos los indicadores del robot se apagan. Para despertar el robot, pulse cualquier botón del robot o la estación base, o use la app.

Nota: Si el robot se pone en pausa y se coloca en la estación base, termina el proceso de limpieza actual.

Reanudación automática de la limpieza

Si las baterías tienen muy poca carga, el robot vuelve automáticamente a la estación base para cargar. Después de llegar a la carga apropiada de la batería, retomará las tareas de limpieza no finalizadas.

Nota: Para usar esta función, actívela en la app.


Modo No molestar (DND)

Cuando el robot se pone en el modo No Molestar (DND), se impide que el robot retome la limpieza y el indicador de alimentación se apaga. El modo DND está inhabilitado de manera predeterminada desde la fábrica. Se puede usar la app para habilitar el modo DND o modificar el periodo DND. El periodo DND es 22:00-8:00 de manera predeterminada.



Nota:

- Las tareas de limpieza programada se realizarán de la manera habitual durante el periodo DND.
- Cuando termine el periodo DND, el robot reanudará la limpieza donde la dejó.

Limpieza localizada

Cuando el robot está en espera, pulse brevemente el botón  para habilitar el modo de limpieza localizada. En este modo, el robot limpia una área de forma cuadrada de 1,5 x 1,5 metros a su alrededor y vuelve a su punto de partida una vez que se completa la limpieza localizada.

Reinicio del robot


Si el robot deja de responder o no se puede apagar, mantenga pulsado el botón  durante 10 segundos para forzar el apagado. Luego mantenga pulsado el botón  durante 3 segundos para encender el robot.

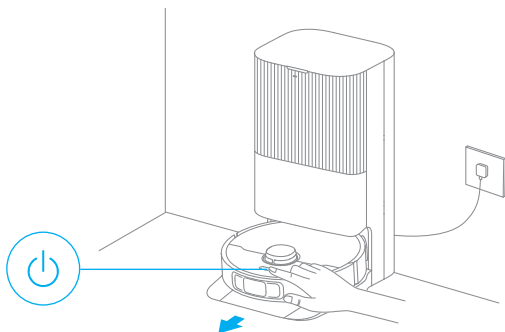
Modo de uso

Aspirar y pasar la mopa

Nota: Cuando se usa el conjunto de mopa por primera vez, el robot realiza la tarea de "Aspirar y pasar la mopa" de manera predeterminada.

1. Empezar a limpiar

Mantenga pulsado el botón  en el robot o use la app para hacer que el robot empiece desde la estación base. Luego el robot planificará la ruta de limpieza óptima y realizará la tarea de limpieza en función del mapa creado.

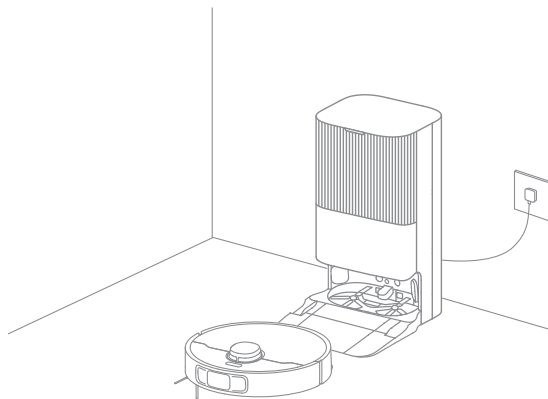


Nota:

- Para asegurarse de que el robot vuelve fácilmente a la estación base después de limpiar, se recomienda hacer que el robot empiece desde la estación base.
- Las mopas se limpiarán antes de que el robot comience a pasar la mopa, espere con paciencia.
- No mueva la estación base, el depósito de agua limpia, el depósito de agua usada o la bandeja de lavar durante su funcionamiento.
- La limpieza con agua caliente puede activarse en la app para las tareas de limpieza de mopa y bandeja de lavar, que se aplica a todos los modos. Para evitar quemaduras, no toque la salida de agua de cuando la función esté activada.

2. Lavado automático de la mopa

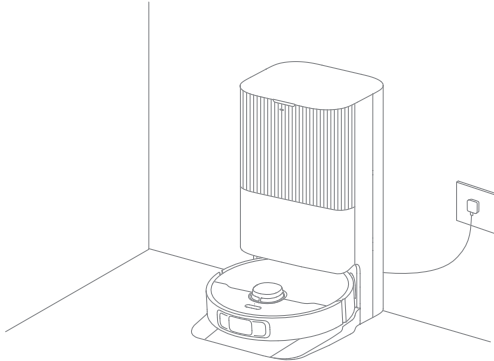
Cuando está limpiando, el robot vuelve automáticamente a la estación base para lavar las mopas en función de la frecuencia de limpieza de mopa especificada en la app. La estación base recargará automáticamente el depósito de agua del robot y este retomará la limpieza.



Modo de uso

3. Vaciar automáticamente la caja de polvo y lavar y secar las mopas

Cuando el robot finaliza una tarea de limpieza y vuelve a la estación base para cargar, la estación base empezará a vaciar automáticamente la caja de polvo. Luego lava y seca las mopas.



Nota:

- Si la función de vaciado automático está desactivada en la app, la estación base no vaciará automáticamente la caja de polvo.
- La estación base vaciará la caja de polvo según el ajuste en la app.

4. Limpieza del depósito de agua usada

Cuando el robot haya completado su tarea, limpie el depósito de agua usada para evitar olores.

Pasar la mopa después de aspirar

Active la función de pasar la mopa después de aspirar en el app y el robot retirará automáticamente el conjunto de mopa en la estación base para aspirar el suelo. Después de aspirar, el robot volverá a la estación base para instalar el conjunto de mopa y la estación base empezará a vaciar automáticamente la caja de polvo. Luego el robot empezará a pasar la mopa cuando se suban el cepillo principal y el cepillo lateral.

Solo aspirar

Active la función de aspirar en la app y el robot retirará automáticamente el conjunto de mopa en la estación base y empezará a aspirar.

Solo mopa

Active la función de pasar la mopa en la app y el robot comprobará automáticamente si el conjunto de mopa está instalado en la estación base. Si no es así, el robot instalará el conjunto de mopa y empezará a pasarla después de subir el cepillo principal y el cepillo lateral.

Mantenimiento rutinario

Piezas

Para mantener el robot en buenas condiciones, se recomienda consultar el uso de accesorios en la app o en la siguiente tabla de mantenimiento rutinario.

Pieza	Frecuencia de mantenimiento	Frecuencia de sustitución
Depósito de agua usada	Después de cada uso	/
Depósito de agua limpia	Una vez cada 2 semanas	/
Cepillo principal		Cada 6 a 12 meses
Filtro de la caja de polvo		Cada 3 a 6 meses
Cepillo lateral		/
Soporte de mopa		/
Bandeja de lavar	Una vez cada 2 meses	/
Área de señalización de la estación base	Una vez al mes	/
Contactos de carga de la estación base		
Respiradero de vaciado automático de la estación base		
Rueda omnidireccional		
Sensor de bordes		
Sensor láser de distancia (LDS)		
Sensores láser 3D de doble línea		

Pieza	Frecuencia de mantenimiento	Frecuencia de sustitución
Sensor de Alfombras	Una vez al mes	/
Sensores de precipicio		
Ventanilla del parachoques		
Contactos de carga del robot		
Parachoques		
Respiradero de vaciado automático del robot		
Entrada de recarga automática de agua del robot		
Parte inferior del robot		
Caja de polvo	Limpie cuando sea necesario	
Bolsa de polvo	/	Cada 2 a 4 meses
Mopa		Cada 1 a 3 meses

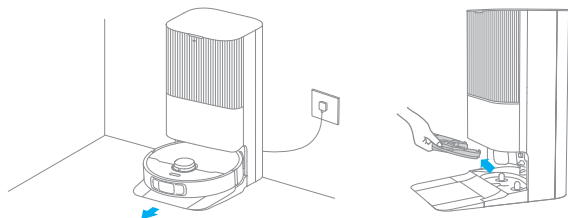
Nota: La frecuencia de sustitución dependerá de su uso del robot. Si ocurre una excepción debido a circunstancias especiales, las piezas deben ser sustituidas.

Mantenimiento rutinario

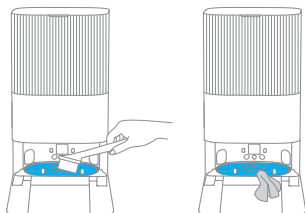
Base de la bandeja de lavar

La estación base realizará la autolimpieza de la bandeja de lavar con cada limpieza de mopa. Para una limpieza profunda, consulte los siguientes pasos.

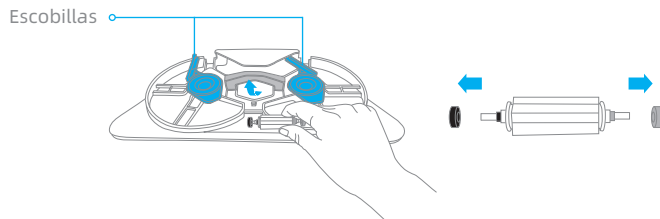
1. Active la función de limpieza de la base de la bandeja de lavar en la app y el robot saldrá automáticamente de la estación base. Saque la bandeja de lavar y espere a que la base de la bandeja de lavar se llene con agua.



2. Use la herramienta de limpieza para limpiar la base de la bandeja de lavar. Al cabo de un momento, la estación base bombea automáticamente el agua usada. Luego limpie la base de la bandeja de lavar con un paño suave y seco.



3. Voltee la bandeja de lavar, retire la cubierta del rodillo y el rodillo a la vez y quite las tapas de extremo del rodillo.



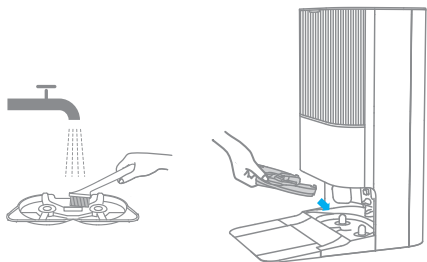
Nota: Si las escobillas bloquean la cubierta del rodillo en ambos lados de la bandeja de lavar, gire el rodillo para moverlos a un lado.


4. Retire el pelo enredado en el rodillo y vuelva a montar las piezas según los colores correspondientes, como se muestra en la siguiente figura.

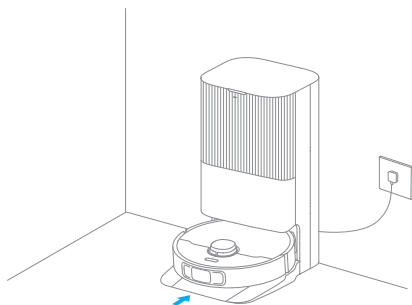


Mantenimiento rutinario

5. Enjuague la bandeja de lavar con agua limpia, límpiela y vuelva a colocarla en la en la estación base inclinándola hacia abajo.



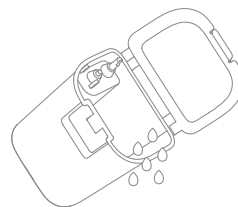
6. Use la app o pulse brevemente el botón  en el robot para hacer que vuelva a la estación base.



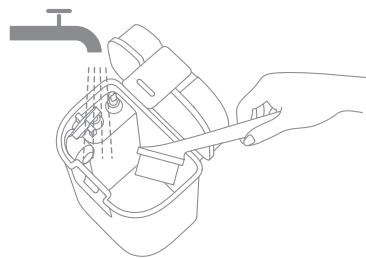
Nota: Durante la limpieza, no haga que el robot vuelva a la estación base.

Depósito de agua usada

1. Retire el depósito de agua usada, abra su tapa y vierta el agua usada.



2. Enjuague el depósito de agua usada con agua limpia, y use la herramienta de limpieza proporcionada para limpiar la pared interior del depósito de agua usada.

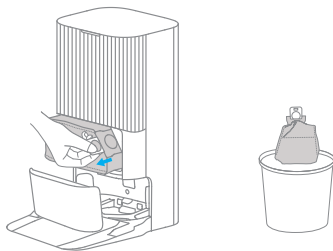


Nota: La bola flotante en el depósito de agua usada es una pieza móvil. No aplique demasiada fuerza al limpiarla para evitar dañarla.

Mantenimiento rutinario

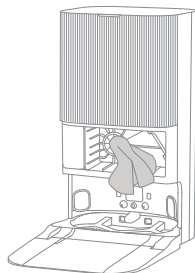
Bolsa de polvo

1. Retire la cubierta del depósito de polvo y deseche la bolsa de polvo.

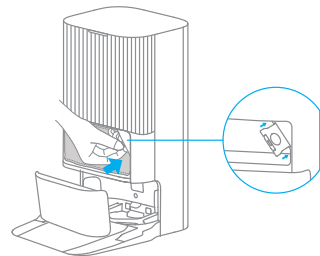


Nota: Tirar del tirador hacia arriba sellará la bolsa para evitar que polvo y restos se caigan accidentalmente.

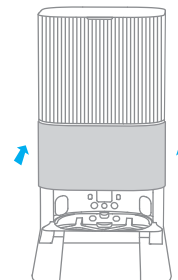
2. Quite el polvo y la suciedad del filtro con un paño seco.



3. Instale una nueva bolsa de polvo.



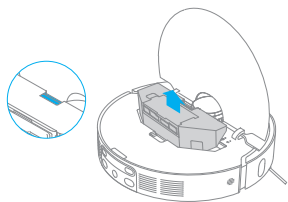
4. Reinstale la cubierta del depósito de polvo.



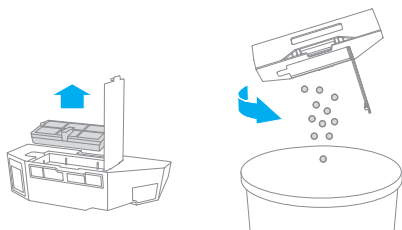
Mantenimiento rutinario

Caja de polvo y filtro

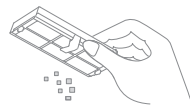
1. Abra la cubierta del robot y presione la presilla del recipiente para retirar la caja de polvo.



2. Abra la cubierta de la caja de polvo, retire el filtro y vacíe la caja de polvo como se muestra en el diagrama.

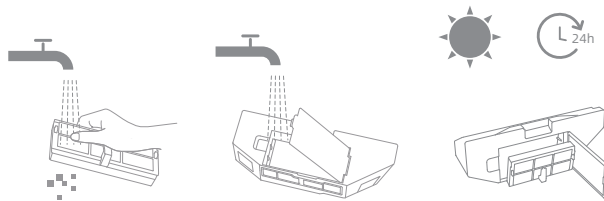


3. Golpee suavemente la canasta del filtro para eliminar la suciedad.



Nota: No intente limpiar el filtro con un cepillo, los dedos u objetos afilados para evitar daños.

4. Enjuague la caja de polvo y el filtro con agua y séquelos completamente antes de reinstalar.



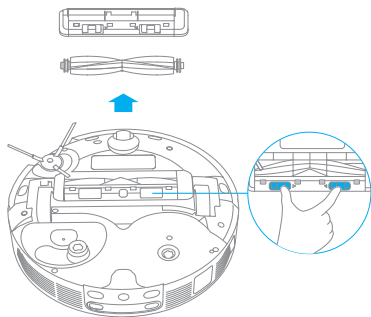
Nota:

- Enjuague la caja de polvo y el filtro exclusivamente con agua. No utilice detergente.
- Use la caja de polvo y el filtro únicamente cuando estén completamente secos.

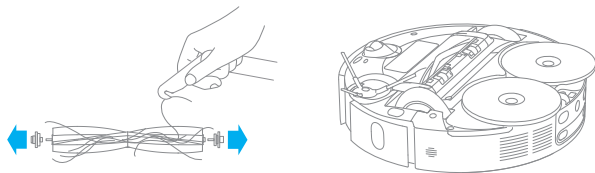
Mantenimiento rutinario

Cepillo principal

1. Presione las presillas del protector de cepillo hacia dentro para quitar el protector de cepillo y sacar el cepillo del robot.

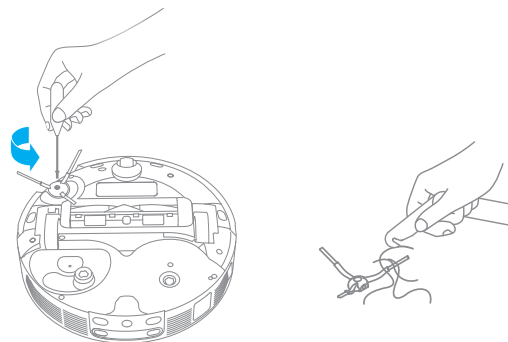


2. Extraiga las cubiertas de cepillo en ambos extremos del cepillo como se muestra en la figura. Use la herramienta de limpieza proporcionada para retirar los pelos enredados en el cepillo. Reinstale las cubiertas de cepillo en ambos extremos del cepillo, y luego reinstale el cepillo. Presione sobre el protector de cepillo para bloquearlo en el sitio.



Cepillo lateral

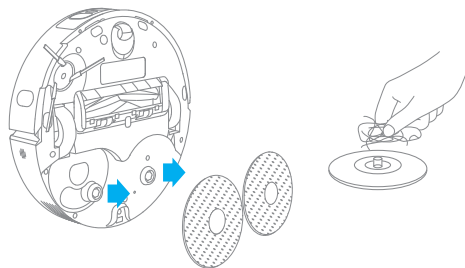
Desenrosque el cepillo lateral con un destornillador, quite el pelo del cepillo y vuelva a enroscarlo.



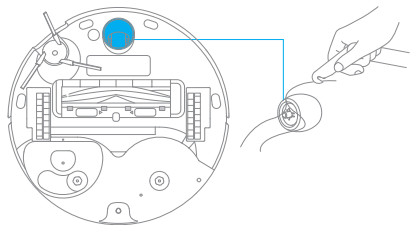
Mantenimiento rutinario

Soporte de mopa

Retire y limpie el soporte de mopa.



Rueda omnidireccional

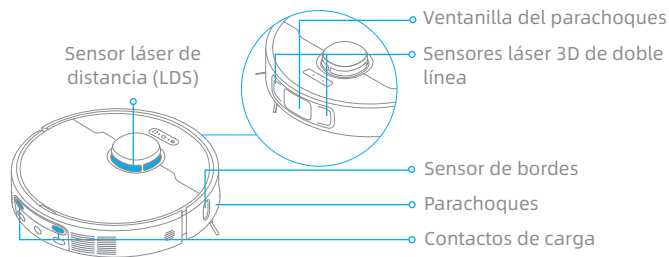


Nota:

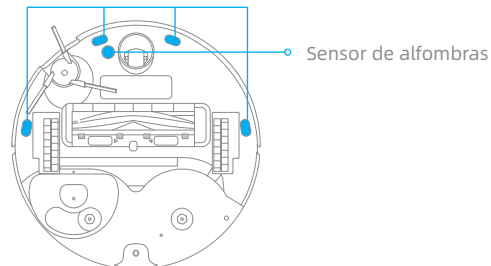
- Use una herramienta como un pequeño destornillador para separar el eje y el neumático de la rueda omnidireccional. No ejerza excesiva fuerza.
- Enjuague la rueda omnidireccional con agua corriente y vuelva a ponerla después de secarla completamente.

Sensores de robot y contactos de carga

Restriegue los sensores y los contactos de carga del robot usando un trapo suave y seco, como se muestra en la siguiente figura:



Sensores de precipicio

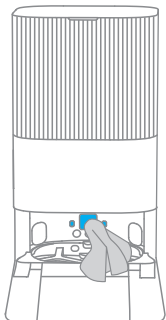


Nota: Un paño húmedo puede dañar los elementos sensibles dentro del robot y la estación base. Utilice un paño seco para la limpieza.

Mantenimiento rutinario

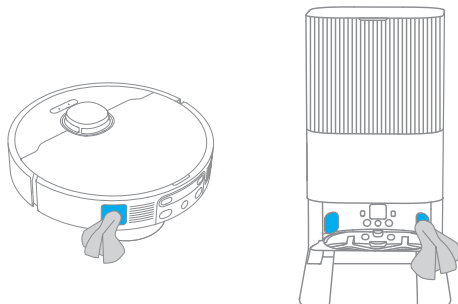
Contactos de carga

Limpie los contactos de carga y el área de señalización de la estación base con un paño suave y seco.



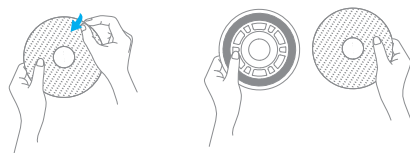
Respiraderos de vaciado automático

Limpie los respiraderos de vaciado automático del robot y la estación base con un paño suave y seco.



Mopa

Retire la mopa del soporte de mopa para sustituirla.





Batería


El robot cuenta con una batería de iones de litio de alto rendimiento. Asegúrese de que la batería permanezca bien cargada para el uso diario a fin de mantener un rendimiento óptimo. Si el robot se usa durante un periodo de tiempo prolongado, apáguelo y guárdelo. Para evitar daños por descarga excesiva, cargue el robot al menos una vez cada tres meses.

Resolución de Problemas

Problema	Solución
El robot no se encenderá.	La batería tiene poca carga. Recargue el robot en la base de carga y pruebe de nuevo. La temperatura de la batería está demasiado baja o demasiado alta. Se recomienda que el aparato funcione a una temperatura entre 0 °C (32 °F) y 40 °C (104 °F).
El robot no se carga.	La estación base no está conectada a la fuente de alimentación, asegúrese de que ambos extremos del cable de alimentación estén enchufados correctamente. El nivel de contacto entre los contactos de carga de la estación base y el robot es deficiente, por favor limpie los contactos de carga. Verifique si hay algún objeto extraño en el conector del robot y, si lo hay, elimínelo.
El robot no puede conectarse a la red Wi-Fi.	La contraseña de la red Wi-Fi es incorrecta. Asegúrese de que la contraseña utilizada para conectarse a su red Wi-Fi sea correcta. El robot no admite una conexión Wi-Fi de 5GHz. Asegúrese de que el robot esté conectado a una conexión Wi-Fi de 2,4 GHz. La señal de Wi-Fi es débil. Asegúrese de que el robot esté en un área con buena cobertura WiFi. Es posible que el robot no esté listo para configurarse. Salga de la aplicación y vuelva a entrar, luego inténtelo de nuevo según las instrucciones.
El robot no puede encontrar y regresar a la estación base.	La estación base está desconectada de la alimentación o se ha movido cuando el robot no estaba en ella. Conecte la estación base al suministro de energía o coloque el robot sobre la estación base para cargar. Hay demasiadas obstrucciones alrededor de la estación base. Coloque la estación base en un área más abierta. Mover el robot puede hacer que se repositone, y volverá a crear un mapa si el reposicionamiento falla. Si el robot está demasiado lejos de la estación base, es posible que no pueda regresar automáticamente por sí solo, en cuyo caso deberá colocar manualmente el robot en la estación base. Limpie el área de señalización de la estación base para eliminar el polvo o la suciedad.
El robot se atasca por delante de la estación base y no puede volver a ella.	Limpie cualquier obstrucción a menos de 5 cm de los lados izquierdo y derecho o menos de 1,5 m delante de la estación base para evitar que el robot quede bloqueado. La ruta de regreso para cargar está bloqueada, por ejemplo la puerta está cerrada. El robot puede resbalarse si el suelo frente a la estación base está demasiado mojado. Si es así, elimine el exceso de agua antes de volver a intentarlo. Se recomienda mover la estación base a un lugar diferente y volver a intentarlo. Asegúrese de que la placa de extensión de rampa esté instalada correctamente.

Problema	Solución
El robot no se apaga.	<p>El robot no se puede apagar cuando está cargando. Se recomienda mover el robot fuera de la estación base y mantener pulsado el botón  durante 3 segundos para apagarlo.</p> <p>Si el robot no se puede apagar con el paso 1, mantenga pulsado el botón  durante 10 segundos para forzar el apagado del robot. Si el problema persiste, contacte con el servicio posventa.</p>
La velocidad de carga es lenta.	<p>Se necesitan aproximadamente 4,5 horas para cargar completamente el robot cuando la batería tiene poca carga.</p> <p>Si utiliza el robot a temperaturas fuera del intervalo especificado, la velocidad de carga disminuirá automáticamente para extender la vida útil de la batería.</p> <p>Los contactos de carga del robot y la base pueden estar sucios, límpielos con un paño seco.</p>
El ruido aumenta mientras el robot está en funcionamiento.	<p>Compruebe si el filtro de la caja de polvo está taponado. Si es así, límpielo o sustitúyalo.</p> <p>Un objeto duro puede quedar atrapado en el cepillo principal o en la caja de polvo. Compruébelo y retire cualquier objeto duro.</p> <p>El cepillo principal o el cepillo lateral pueden estar enredados. Compruébelo y retire objetos extraños.</p> <p>Cambie el modo de succión a Estándar o Silencio.</p>
El robot se mueve sin seguir la ruta establecida.	<p>Los objetos como cables de alimentación y pantuflas deben mantenerse ordenados antes de usar el robot.</p> <p>Trabajar en superficies resbaladizas provoca que la rueda principal resbale. Se recomienda secar los lugares mojados antes de usar el robot.</p> <p>Limpie la ventanilla del parachoques y los sensores láser 3D de doble línea con un paño limpio y suave y para mantenerlos limpios y desobstruidos.</p>
El robot omite las habitaciones que deben limpiarse.	<p>Asegúrese de que las puertas de las habitaciones a limpiar estén abiertas.</p> <p>Compruebe si hay un umbral superior a aproximadamente 2 cm en la puerta de la habitación. El robot no puede atravesar umbrales o escalones altos.</p> <p>El lugar delante de la sala a limpiar puede estar mojado y resbaladizo, haciendo que el robot resbale y trabaje anormalmente. Seque el suelo antes de usar el robot.</p>

Resolución de Problemas

Problema	Solución
El robot no reanuda la limpieza después de la carga.	Asegúrese de que el robot no esté en modo No Molestar (DND), lo que prohibirá que reanude la limpieza. El robot no reanuda la limpieza después de colocarlo manualmente en la estación base o enviarlo a cargar mediante la app o el botón  .
La estación no puede vaciar automáticamente la caja de polvo.	Compruebe si la bolsa de polvo en el depósito está llena. Si la bolsa de polvo no está llena, compruebe si hay obstrucción en los respiraderos de vaciado automático del robot, la estación base o la caja de polvo. Si es así, limpie a tiempo la parte bloqueada.
El nivel de agua en la bandeja de lavar es anómalo.	Compruebe si el sellado del depósito de agua usada está suelto o no está instalado correctamente y, en caso afirmativo, reajústelo manualmente. Si el problema persiste, contacte con el equipo de servicio posventa. Presione suavemente el depósito de agua usada para asegurarse de que esté instalado correctamente. Quite la bandeja de lavar y compruebe si la salida de aguas residuales está bloqueada y límpiela. Compruebe la botella de solución de limpieza. No añada líquido distinto a la solución de limpieza aprobada oficialmente.
El soporte de mopa se sube de manera anómala.	Retire el soporte de mopa para comprobar si hay objetos extraños atascados en él, e intente reiniciar el robot. Si el problema persiste, contacte con el equipo de servicio posventa.
Hay agua debajo del depósito de agua limpia o alrededor de la junta de sellado.	Cuando se extrae el depósito de agua limpia, algo de agua del tubo puede quedar debajo del depósito o alrededor de la junta de sellado. Esto es normal. Restriegue con un trapo seco.

Para obtener más ayuda, contacte con nosotros en <https://global.dreametech.com>

Robot

Modelo	RLX63CE/RLX63CE-2
Tiempo de carga	Aprox. 4,5 horas
Tensión nominal	14,4 V \equiv
Potencia nominal	75 W
Frecuencia de funcionamiento	2400-2483,5 MHz
Potencia máxima de salida	<20 dBm

Estación base

Modelo	RCXE0307/RCXE0307-5
Entrada nominal	220-240 V~ 50-60 Hz
Salida nominal	20 V \equiv 2 A
Potencia nominal (durante el vaciado de polvo)	700 W
Potencia nominal (durante la limpieza con agua caliente)	1160 W
Potencia nominal (durante la carga y el secado)	89 W

En condiciones normales de uso, este equipo debe mantenerse a una distancia de, al menos, 20 cm entre la antena y el cuerpo del usuario.

Nota:

- La potencia nominal (durante la limpieza con agua caliente) se determina por el valor de potencia durante el periodo representativo (temperatura de agua 25 °C).
- La potencia nominal (durante la carga y el secado) se determina por el valor de potencia durante un periodo de carga completa.

Eliminación y retirada de la batería

La batería de iones de litio integrada contiene sustancias que son peligrosas para el medio ambiente. Antes de desechar la batería, asegúrese de que la batería sea retirada por técnicos cualificados y desechada en instalaciones de reciclaje apropiadas.

- Se debe retirar la batería del aparato antes de tirarlo;
- el aparato debe desconectarse del suministro eléctrico cuando se retire la batería;
- asegúrese de desechar la batería de forma segura.

PRECAUCIÓN:

Antes de retirar la batería, desconecte la alimentación y agote la batería al máximo.

Las baterías no necesarias se deben desechar en instalaciones de reciclaje apropiadas.

No la exponga a ambiente de alta temperatura para evitar riesgos de explosión.

En condiciones abusivas, el líquido puede ser expulsado de la batería. Si ocurre un contacto, enjuague con agua y busque ayuda médica.

Guía de retirada:

1. Voltee el robot, use una herramienta apropiada para retirar los tornillos de la parte posterior del robot, y luego retire la cubierta.
2. Desenchufe los terminales entre la batería y la placa PCB para retirar la batería.

Información WEEE



Todos los productos que llevan este símbolo son basura de equipos eléctricos y electrónicos (WEEE según la directiva 2012/19/UE) que no deben mezclarse con basura doméstica sin clasificar. En cambio, debe proteger la salud humana y el medio ambiente entregando el residuo de equipos a un punto de recogida designado para el reciclaje de basura de equipos eléctricos y electrónicos, nombrado por el gobierno o las autoridades locales. Una correcta eliminación y reciclaje ayudarán a impedir potenciales consecuencias negativas al medio ambiente y la salud humana. Contacte con el instalador o las autoridades locales para más información acerca de la ubicación así como términos y condiciones de tales puntos de recogida.