



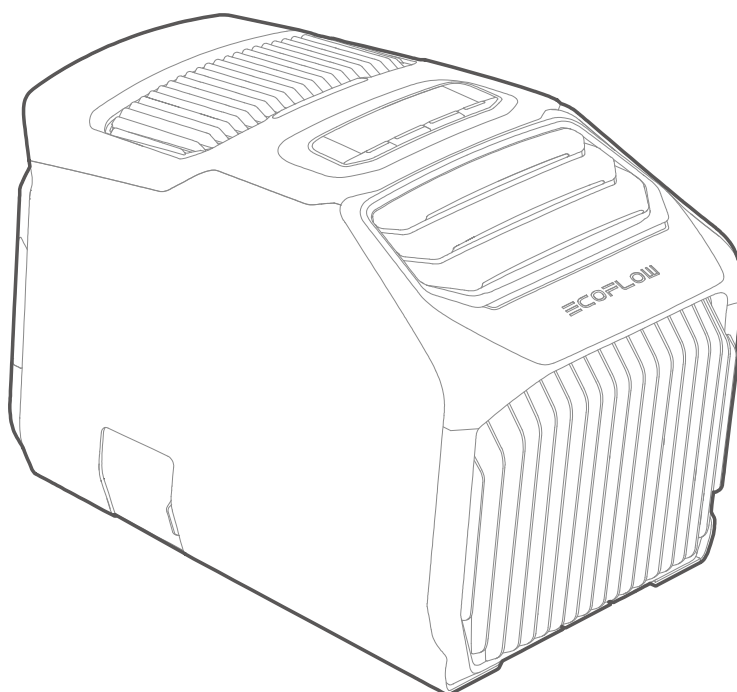
Questo manuale d'istruzione è fornito da trovaprezzi.it. Scopri tutte le offerte per [EcoFlow Wave 2](#) o cerca il tuo prodotto tra le [migliori offerte di Condizionatori e Deumidificatori](#)



Questo manuale d'istruzione è fornito da trovaprezzi.it. Scopri tutte le offerte per [EcoFlow Wave 2](#) o cerca il tuo prodotto tra le [migliori offerte di Condizionatori e Deumidificatori](#)

# ≡ ECOFLOW

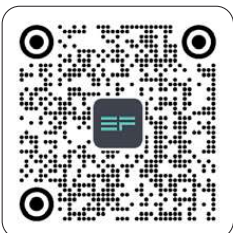
## EcoFlow Wave 2 User Manual V1.0



# Disclaimer

Please read the product document and ensure that you understand it fully before using the product. After reading this document, keep it for future reference. Improper use of this product may cause serious injury to yourself or others, or cause product damage and property loss. Once you use this product, it is deemed that you understand, approve and accept all the terms and content in this document. EcoFlow is not liable for any loss caused by the user's failure to use the product in compliance with the Disclaimer and Safety Instructions.

In compliance with laws and regulations, EcoFlow reserves the right to final interpretation of this document and all documents related to the product. This document is subject to changes (updates, revisions, or termination) without prior notice. Please visit EcoFlow's official website to obtain the latest product information.



<https://www.ecoflow.com/support/download/wave-2-portable-air-conditioner>

# Contents

<b>Specifications</b>	1
<b>Safety Instructions</b>	2
Use	2
Grounding Guide	3
<b>EcoFlow App</b>	4
<b>What's in the Box</b>	4
<b>Product Details</b>	5
Overview	5
Light Effect	6
LCD	6
Control Buttons	7
<b>Getting Started</b>	8
How to Install	8
How to Power-on	11
How to Drain	13
How to Clean	14
<b>Care and Maintenance</b>	14

# Specifications

Cooling/Heating Specifications	
Model	EFKT210
Cooling Capacity/Heating Capacity	1500/1800W (5100/6100BTU)
Temperature Setting Range	16°C-30°C (60°F-86°F)
Refrigerant	R290 (130g)
Air Flow Volume	290m³/h
Cooling/Heating Rated Input (AC)	550W/600W (AU: 580W/600W)*
Cooling/Heating Rated Input (DC)	495W/540W (AU: 520W/540W)*
Maximum Cooling/Heating Power	700W
Input Specifications	
AC Input	100-240V~50/60Hz, 820W max
Car Charging Input	12V/24V=8A, 200W max
Solar Input	11-60V=13A, 400W max
External Battery Pack Input	700W max
Other Specifications	
No-Drain Function	Supported (in cooling state)
Overflow Shutdown Function	Supported
IP Rating	IPX4
Noise Level	44-56dB
Permissible Pressure Range (High Pressure/Low Pressure)	2.24MPa/0.74MPa
Ambient Temperature for Operation	5°C-50°C (41°F-122°F)
Ambient Temperature for Storage	-10°C-60°C (14°F-140°F)
Energy Rating	
Cooling/Heating (AC)	2.7/3.0 (AU: 2.6/3.0)*
Cooling/Heating (DC)	3.0/3.3 (AU: 2.9/3.3)*
General Information	
Net Weight	Approximately 14.5 kg (32.0 lbs)
Dimensions (L × W × H)	518×297×336 mm (20.4 x 11.7 x 13.2 inches)

Wi-Fi	<p>Frequency range:  US: 2412-2462MHz (20M)/2422-2452MHz (40M)  EU/UK/CH/AU/ZA:  2412-2472MHz (20M)/2422-2462MHz (40M)  BR: 2400-2483.5MHz  Maximum output power:  US: 0.071W  EU/UK/CH/AU/ZA: 16.54dBm  BR: 0.339W</p>
Bluetooth	<p>Frequency range: US/EU/UK/CH/AU/ZA: 2402-2480MHz  BR: 2400-2483.5MHz  Maximum output power:  US: 0.005W  EU/UK/CH/AU/ZA: 0.02dBm  BR: 0.147W</p>

\*The parameters may vary due to local testing conditions.



## Safety Instructions

### Use

1. Do not use this product near a heat source (such as fire or heater), and avoid direct exposure to sunlight. Heat may cause flammable liquids to leak or explode.
2. If the product catches fire by accident, we recommend that you use fire extinguishers in the following order: water or water mist, sand, fire blanket, dry powder, and carbon dioxide.
3. Keep the product away from any liquid. Do not get the product wet, and try to avoid working in a wet location.
4. If the product is wet inside, immediately turn the power off, remove the power cord, and place them in a safe open area. Stay away from the product until it is dry. Please take measures to prevent electric shock when touching it. Do not operate or discard the dry product without authorization. Please contact the customer service to dispose of it properly.
5. If there is dirt in any outlets, clean it with a dry cloth.
6. Do not use this product in environments with strong static electricity or magnetic fields (such as a thunderstorm).
7. Do not touch product outlets with wires or other metal objects, otherwise the product may short circuit.
8. Do not put your fingers into the air inlet/outlet.
9. Do not disassemble the product or extend any power cord without authorization since this may result in electric shock or even fire.

10. If the product components or power cords are damaged, they must be repaired and replaced by the manufacturer, dealer or qualified electrical engineer to avoid hazardous conditions.
11. Do not place the battery where the air pressure is extremely low, as this may cause flammable liquids to leak or explode.
12. Do not stand or sit on the product.
13. Do not pile heavy objects on the product.
14. Do not obstruct the air inlet/outlet or exhaust pipe during operation.
15. During the operation or transportation of the product, please avoid external damages , such as dropping the appliance in order to avoid harming the internal compressor. If the product is tilted (for over 10 minutes) or impacted by a strong external force, immediately turn the power off and remove the power cord. Leave it to stand for at least 2 hours before using.
16. Please store the product where it is dry and ventilated, and ensure that the distance between the air inlet/outlet and the wall is  $>0.5$  m.
17. Do not use unofficial components or accessories since they will void your warranty. If they need to be replaced, please purchase them through the official EcoFlow distribution channels.
18. Please keep the product out of the reach of pets. Children should not operate this product without supervision.
19. Electromagnetic fields created by this product may affect the normal functioning of medical implants or personal medical devices, such as pacemakers, cochlear implants, hearing aids, defibrillators and so on. If you are using these medical devices, please consult the manufacturers about the restrictions on the use of relevant devices to ensure that a safe distance is maintained between this product and the implanted medical devices (such as pacemakers, cochlear implants, hearing aids, defibrillators and so on) during operation.
21. This appliance can be used by children aged 8 years and above and persons with reduced physical, sensory or mental capabilities or lack of experience and knowledge if they have been given supervision or instruction concerning use of the appliance in a safe way and understand the hazards involved. Children should not play with the appliance. Cleaning and maintenance should not be done by children without supervision.



22. This product should not be disposed with other household wastes throughout the EU. To prevent possible harm to the environment or human health from uncontrolled waste disposal, recycle it responsibly to promote the sustainable reuse of material resources. To return your used device, please use the return and collection systems or contact the retailer where the product was purchased. They can take this product for environmentally safe recycling.

## Grounding Guide

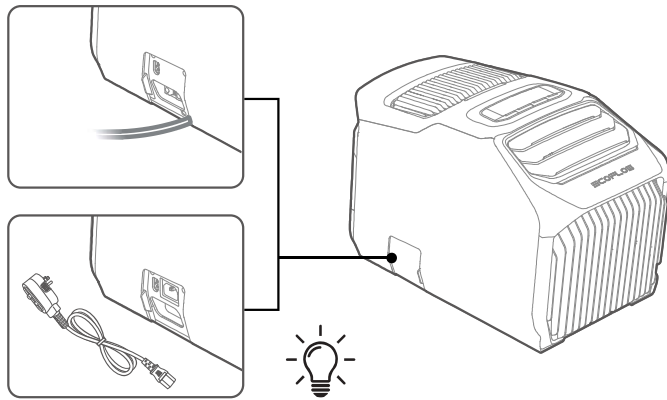
1. This product must be grounded. The product may fail when it is charged. The risk of electric shock can be greatly reduced with a ground wire. This product is equipped with a power cord which has a grounding conductor and a ground plug. The ground plug must be connected to a socket with a ground wire in compliance with local laws.
2. Improper ground connection may lead to the risk of electric shock. If you are not sure whether the product is properly grounded, please consult a qualified electrical engineer. Do not modify the plug delivered with the product without authorization. If the plug cannot be used normally, please consult a qualified electrical engineer.

## EcoFlow App

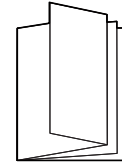


Control, monitor and customize your EcoFlow Wave 2 from afar with the EcoFlow app.

# What's in the Box



Wave 2



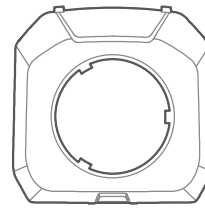
Safety Instructions, Quick Start Guide & Warranty Card



Exhaust duct adapter cover A



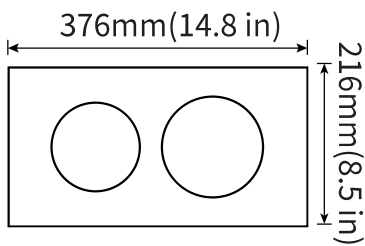
Exhaust duct adapter cover B



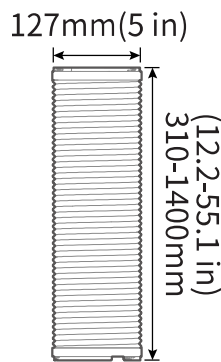
Exhaust duct adapter cover C



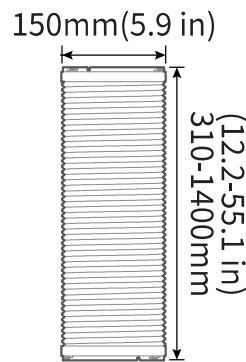
Winder



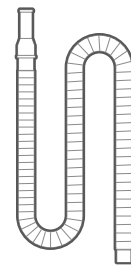
Window vent board



Exhaust duct D



Exhaust duct E



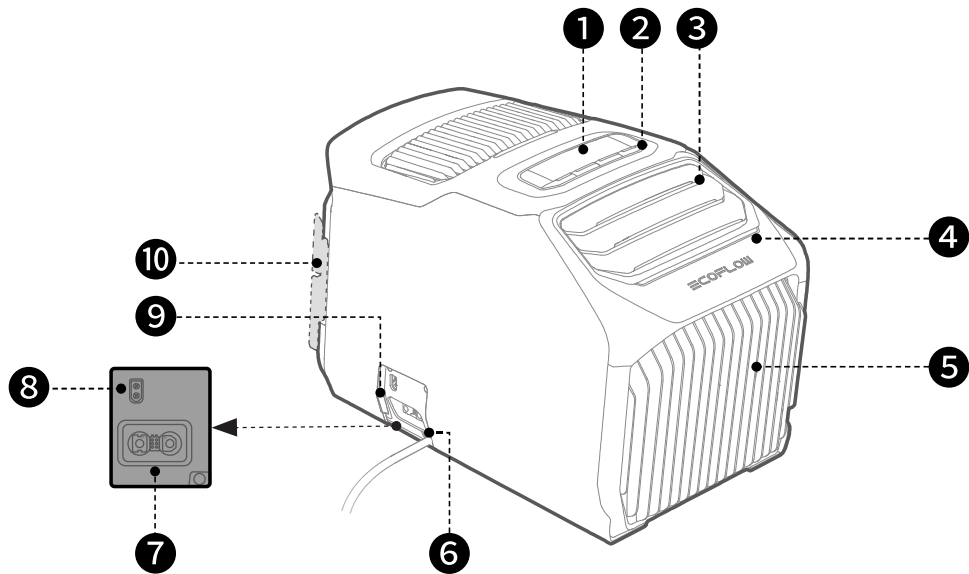
Drain pipe



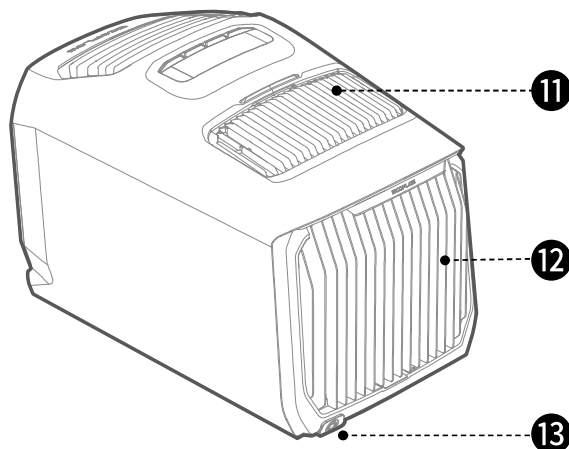
The type of AC charging cable (pluggable/embedded) varies due to local regulatory requirements. Please refer to the actual product.

# Product Details

## Overview

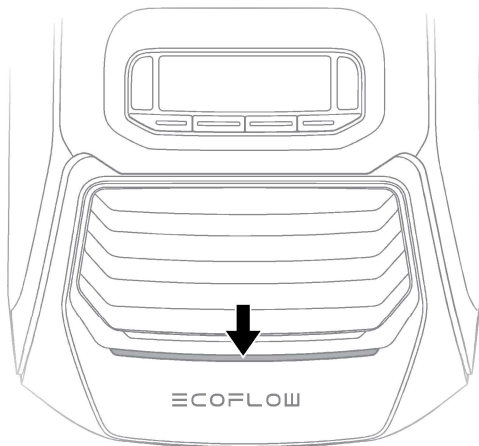






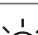
- 1. LCD
- 2. Control buttons
- 3. Front air outlet fan blade
- 4. Ambient light
- 5. Front air inlet filter
- 6. AC charging cable
- 7. Add-on battery socket (XT150)
- 8. Solar/car charging socket (XT60)
- 9. Charging port cover
- 10. Winder socket



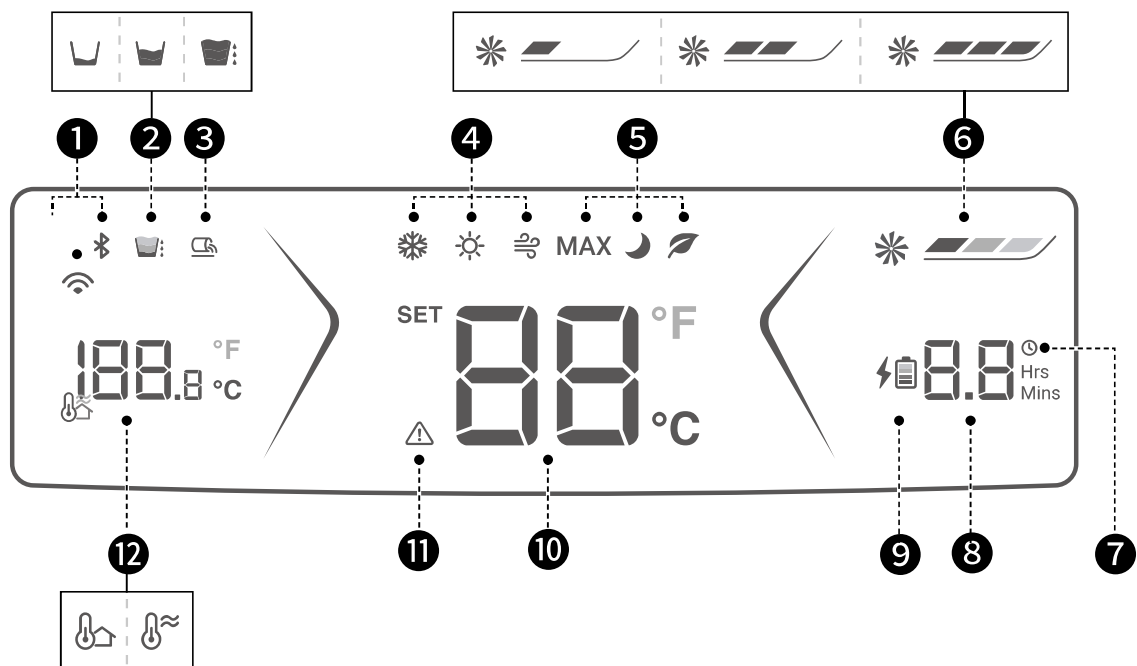
- 11. Rear air outlet
- 12. Rear air inlet filter
- 13. Drainage outlet & drainage outlet connector

## Introduction to Indicator Lights



Pulsating blue		Cooling status
Pulsating orange		Heating status
Pulsating white		Fan status
Solid red		Error alarm
Flashing white		Firmware update

## LCD

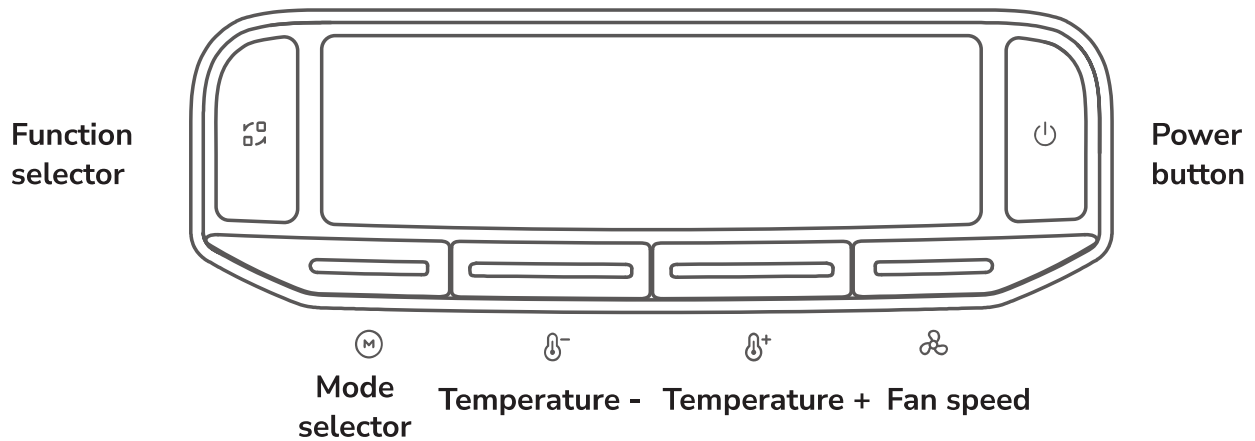


1. Wi-Fi/Bluetooth
2. Water level indicator
3. External drainage indicator
4. Cooling/Heating/Fan function
5. Max/Sleep/Eco mode
6. Fan speed
7. Timer (Supported in app settings only)
8. Remaining charge/discharge time
9. Add-on battery charging indicator
10. Temperature setting/Error code
11. Error alarm
12. Ambient/air outlet temperature



Refer to Fault Indication and Troubleshooting for error alarm solutions.

## Control Buttons



### Power button

**Press** Power-on/Standby.  
If Wave 2 is idle for 5 minutes, the LCD and ambient light will turn off automatically (The *power standby time* can be set in the app). Press any button to wake them up.

**Press and hold** Press and hold it for 3 seconds to shutdown.

### Function selector

**Press** Switch cooling ❄/heating ☀/fan 🌀 functions.  
When switching between cooling and heating, there will be 2 minutes of down time\* to protect the device.

**Press and hold** Press and hold it for 3 seconds to reset Wi-Fi 📶 and Bluetooth 📶.  
If reconnection is required, please open the EcoFlow app to reconnect.

\* As the operating power may fluctuate during down time, the remaining charge/discharge time is inaccurate. Please recheck it when Wave 2 starts cooling or heating.

### Mode selector (available for cooling/heating only)

**Press** Switch max MAX/sleep 🌙/eco 🌿/custom modes.  
In max mode, Wave 2 operates at high fan speed of 16°C (60°F) for cooling or 30°C (86°F) for heating by default, and the temperature or fan speed cannot be changed.  
In sleep or eco mode, it operates at low fan speed of 26°C (79°F) for cooling or 20°C (68°F) for heating by default. For eco mode in cooling state, Wave 2 operates for 20 minutes in cooling, then blows air for 10 minutes, and repeats the process.

**Press and hold** Press and hold it for 3 seconds to switch real-time ambient temperature 🌡/real-time air outlet temperature 🌡.


### Temperature+ / Temperature-

**Press** Setting temperature and cooling/heating temperature range: 16°C-30°C (60°F-86°F).  
**The temperature cannot be set when using the fan function .**

**Press and hold** Press and hold the Temperature+ and Temperature- buttons for 3 seconds to switch temperature units  $\frac{^{\circ}\text{F}}{^{\circ}\text{C}}$ .

## Fan speed

**Press** Fan speed setting (low  /medium  /high  ).

**Press and hold** Press and hold it for 3 seconds to enable external drainage function , repeat the process to disable the function.

\* Please read [How to Drain] before using the external drainage function.

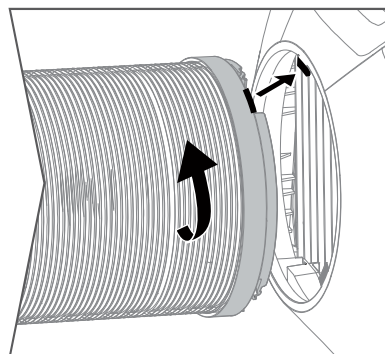
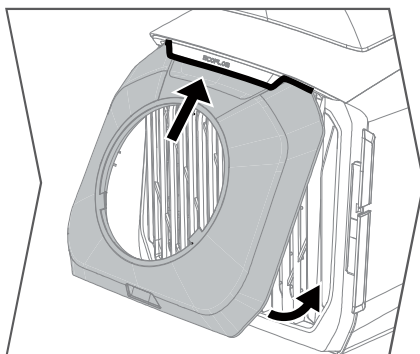
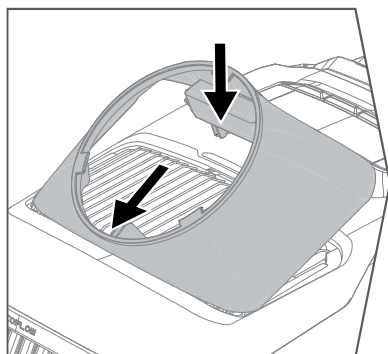
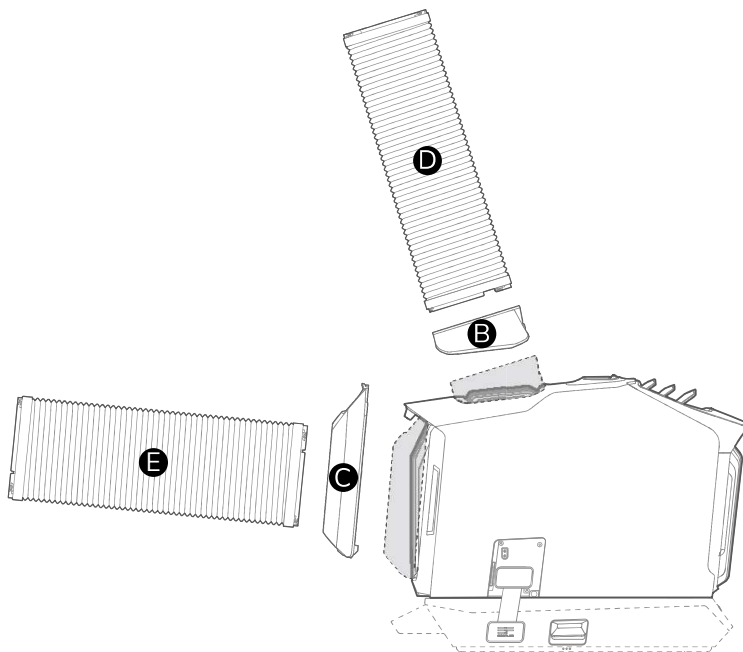
# Getting Started

## How to Install

When using the cooling or heating function, please make sure you've installed the exhaust duct and adapter cover to Wave 2, otherwise it will affect the air conditioner's working efficiency. It is recommended that the space is within 20m<sup>3</sup> for better working performance.

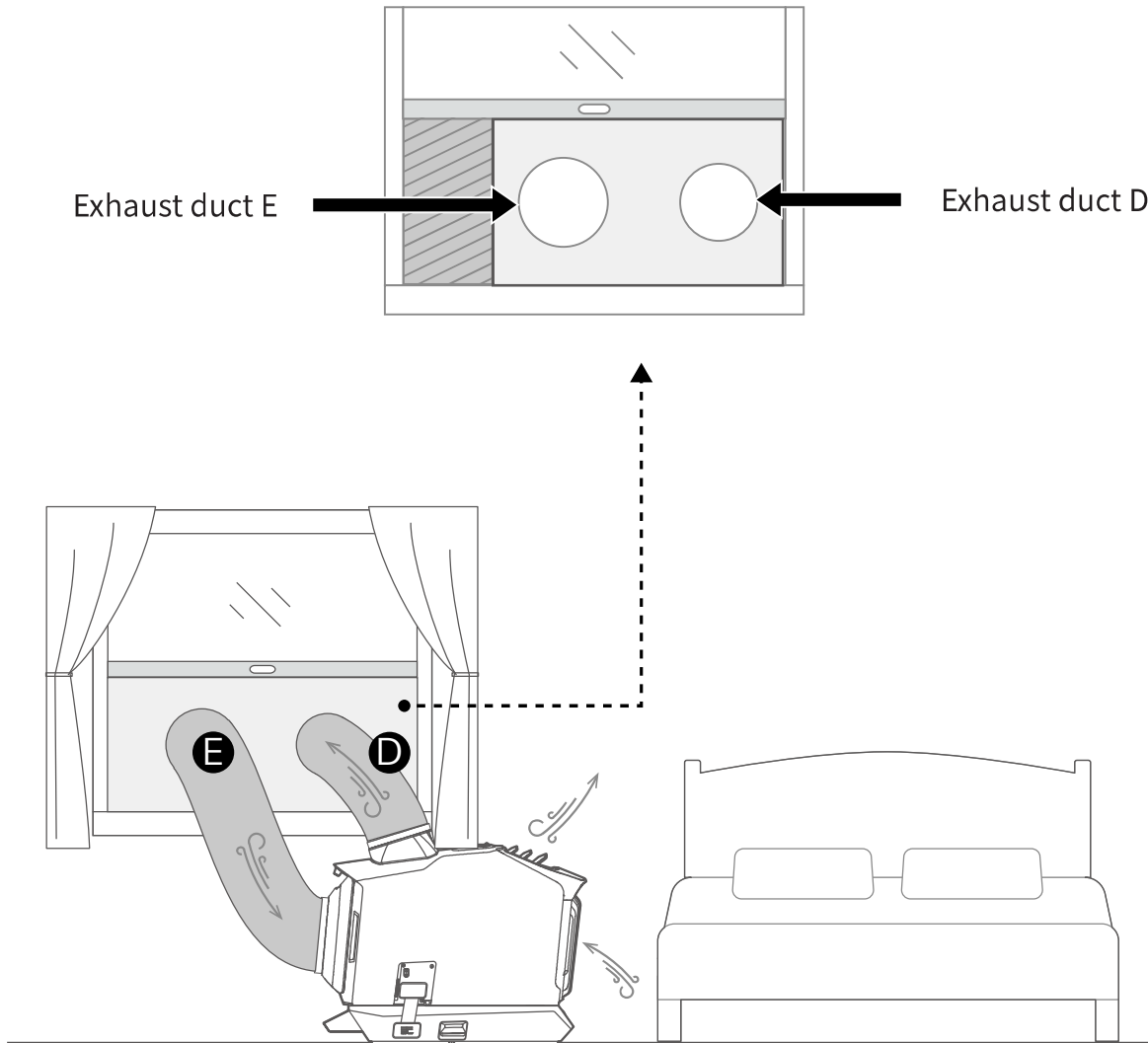
## Indoor Use

When the air conditioner is used in an enclosed space, you can get rid of waste air through the exhaust ducts. The exhaust duct should not be excessively stretched or bent when it is connected to avoid affecting the air conditioner's working efficiency.



## DIY Window Vent Board

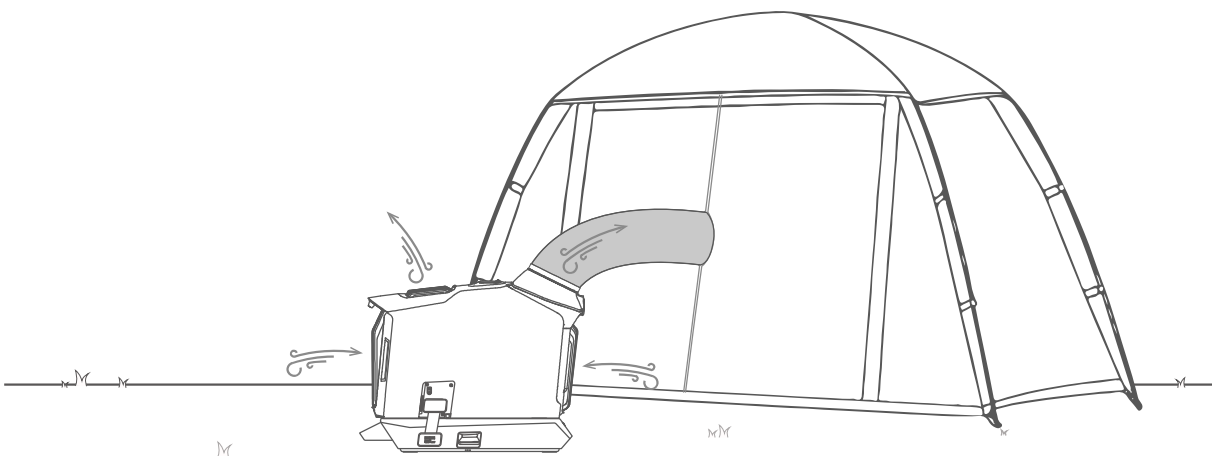
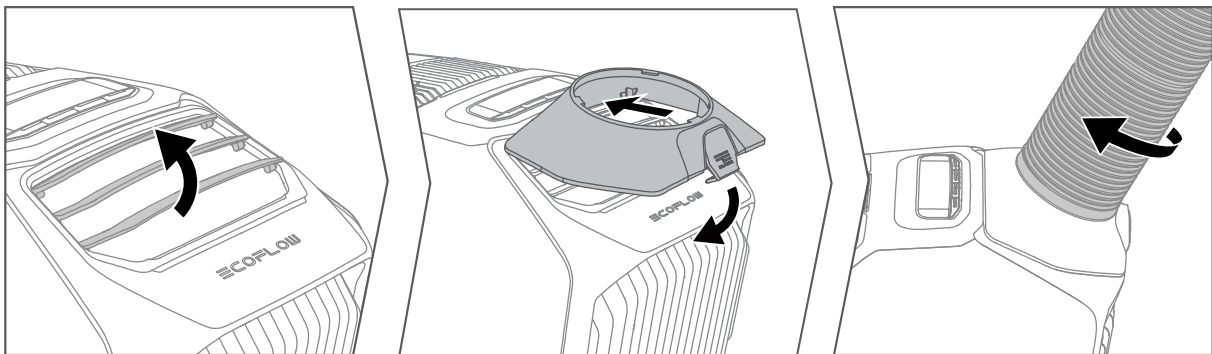
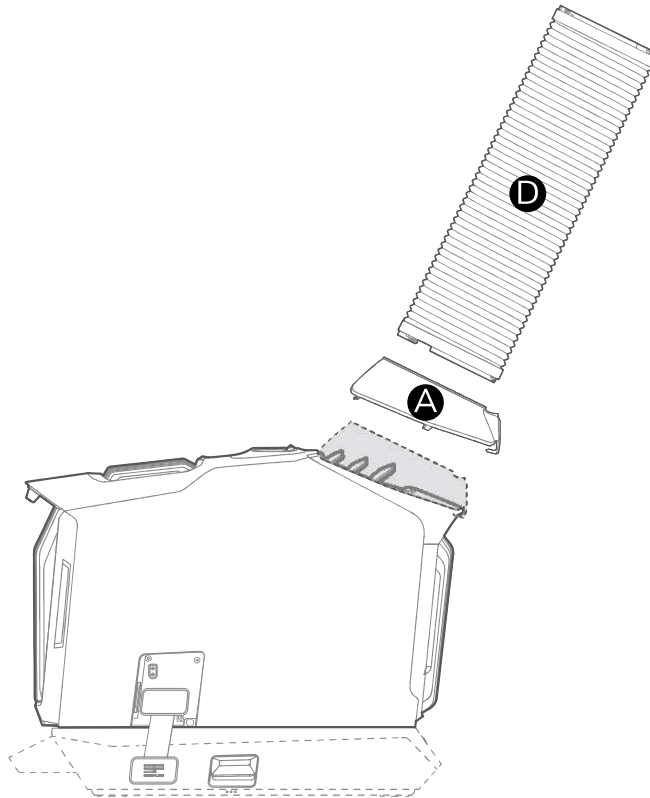
A window vent board is included with Wave 2. The board is pre-cut based on the diameters of the exhaust ducts. You can apply it to your truck, RV or home windows, fill the gap between the board and the window, and vent the exhaust air through the ducts.



It is not suggested to use the exhaust duct in rainy and snowy weather to avoid damaging the products.

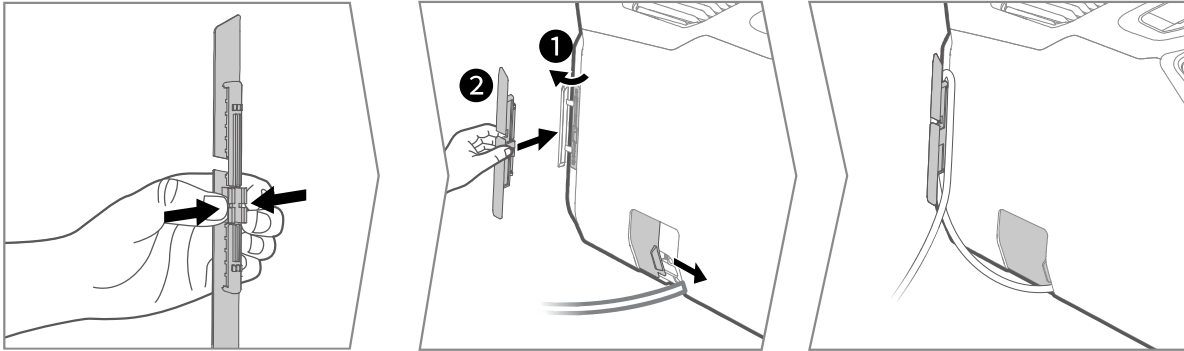
## Outdoor Use

When the interior space is small or noise avoidance is required, Wave 2 can be placed outdoors and deliver cooling or heating through the front air outlet.



## How to Power-on

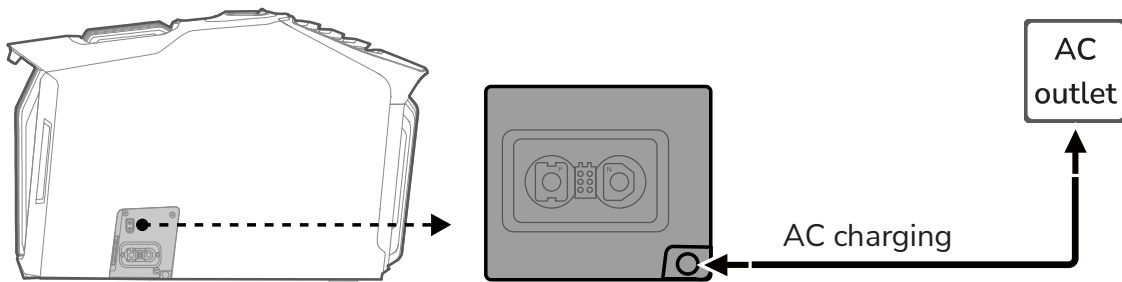
This product supports multiple power supply methods. Open the charging port cover before using it, then power on. Please close the cover to prevent dust during charging, and wind the AC charging cable around the winder.



For shutdown, please press and hold the power button before removing the charging cable. Do not directly remove the cable to avoid damaging the battery cell.

## AC Outlet

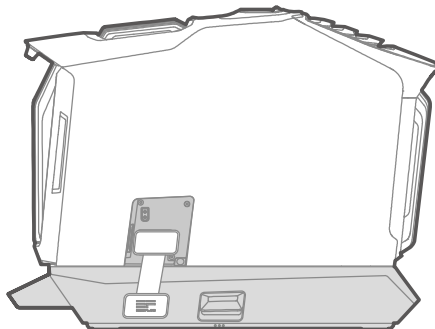
Wave 2 supports an AC voltage from 100-240V. Please use the original AC charging cable and make sure the working current of the outlet should continuously exceed 10A .



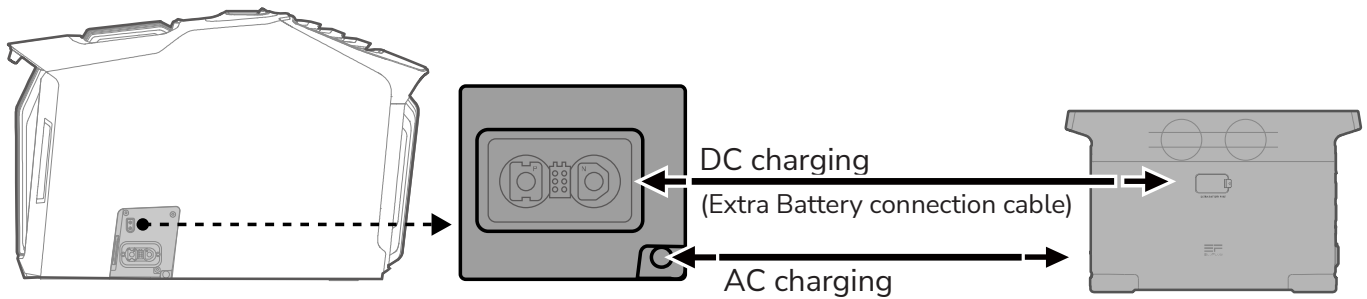
## Battery pack

The EcoFlow Wave 2 add-on battery or EcoFlow portable power stations (DELTA and DELTA 2 series are recommended) can be used to supply power to Wave 2. These products and cables can be purchased on official EcoFlow channels.

### 1. Wave 2 Add-on Battery



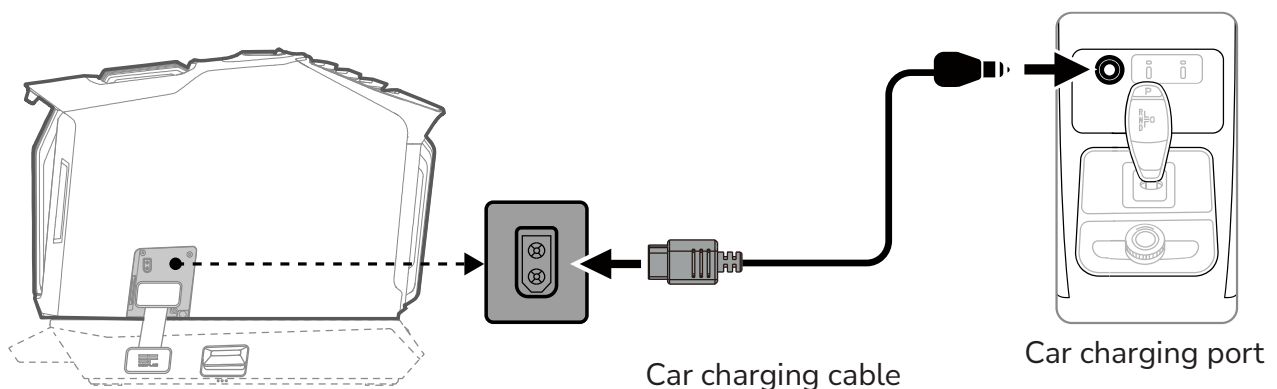
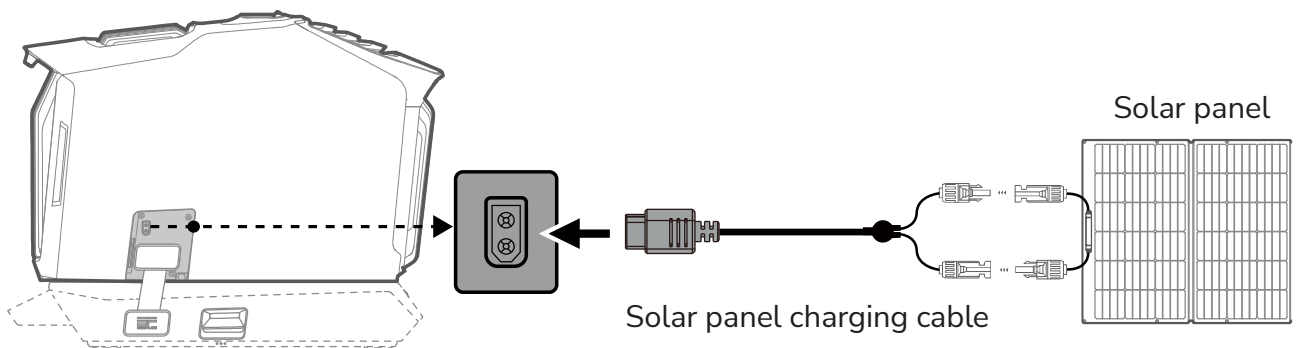
## 2. EcoFlow portable power stations (XT150 DC output port is recommended)



### Solar Panel/Car Charging Port

When charging using a solar panel, please confirm that the output voltage and current of the solar panel is within the specified range (11-60V/13A), and check the solar panel user manual.

When charging using the car charging port, turn on the engine first to avoid a failure to start if the car battery is too low. Wave 2 supports 12V/24V car charging and a maximum charging current of 8A. Make sure that the car charging port and charging cable are securely connected to the cigarette lighter.

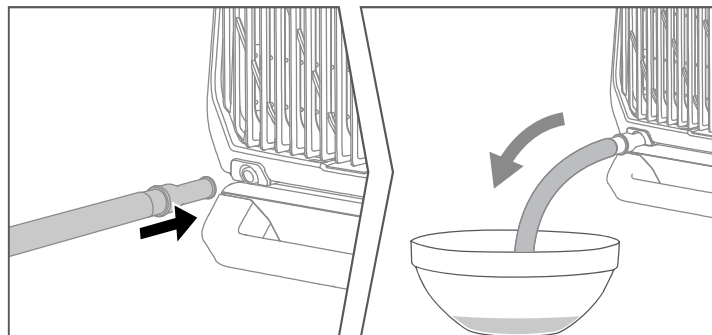
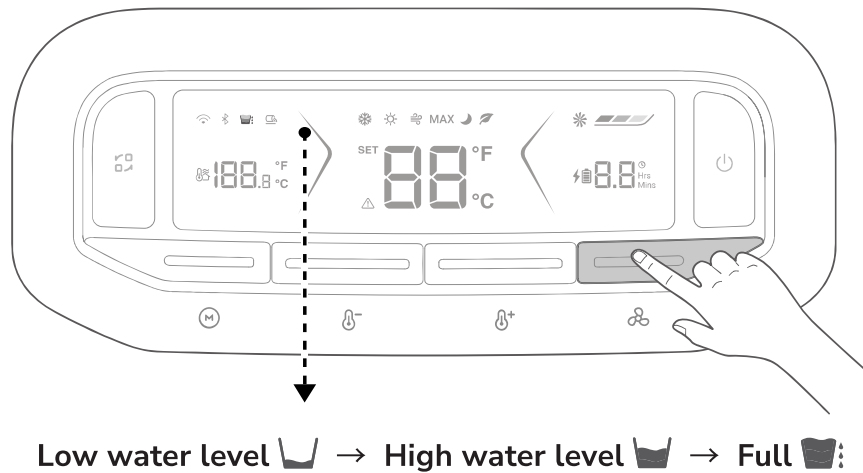


If car or solar panel power is low or voltage is unstable, only fan function will work. If the cooling/heating function is required, connect the Add-on Battery / portable power station.

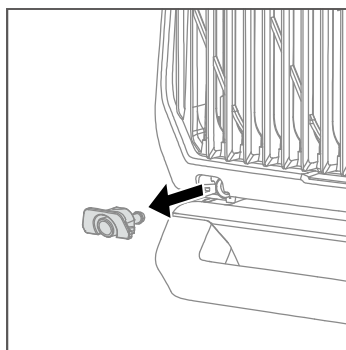
## How to Drain

**Wave 2 has drain-free function.** When the cooling function is on, condensation **evaporates** through flash distillation. When the heating function is in use or the ambient humidity is too high, condensation cannot be drained completely using flash distillation. Check the water level indication on the LCD for more information. When it cannot collect anymore water, Wave 2 will shut down automatically (switch to fan function if it is currently in cooling mode.). Do not shake or move the air conditioner to avoid water leakage.

**External drainage:** When the drain pipe is **connected to** the drainage outlet, press and hold the speed button for 3 seconds, and LCD displays [External drainage indicator]. Press and hold it again to turn off drainage function. If not turned off, the product will continue to drain out when reaching high water level.

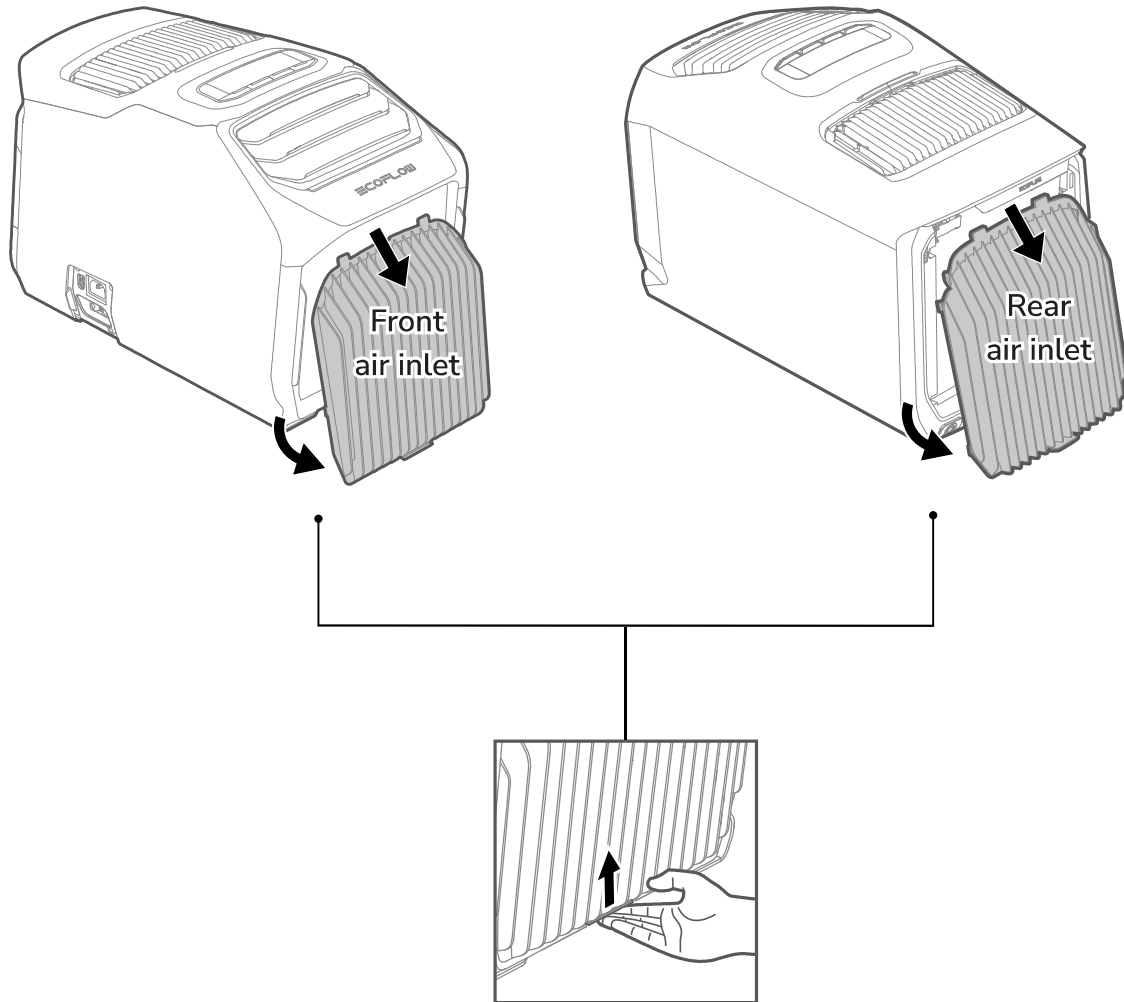


**Manual drainage:** A small amount of residual water will be left at the bottom of the water tank after external drainage. Please remove the connector, and tilt the unit back slightly until the condensation is completely drained.



## How to Clean

The air inlet may get blocked with large dust particles and impurities in the air during outdoor use. Regularly remove the front and rear air inlet filters, clean them with a damp cloth using a mild detergent, dry them in the air, and then reassemble them.



## Care and Maintenance

1. Please close the socket cover after the unit is stored to prevent dust.
2. After the unit is stored after shutdown, manually drain the unit to prevent bacteria breeding in the damp during long-term storage and avoid overflow of water when it is moved next time.
3. It is recommended to store this product within the range of ambient temperature range of 20°C-30°C (68°F-86°F), and keep this product away from water sources, heat sources, and metal objects.

**ECOFLOW**

