



Questo manuale d'istruzione è fornito da trovaprezzi.it. Scopri tutte le offerte per [Ecovacs Deebot T30](#) o cerca il tuo prodotto tra le [migliori offerte di Aspirapolvere e Pulitrici](#)



Questo manuale d'istruzione è fornito da trovaprezzi.it. Scopri tutte le offerte per [Ecovacs Deebot T30](#) o cerca il tuo prodotto tra le [migliori offerte di Aspirapolvere e Pulitrici](#)



DEEBOT **T30** OMNI

Instruction Manual

Instruction Manual	EN	 P03
Bedienungsanleitung	DE	 P16
Manuel d'instructions	FR	 P29
Manuale d'istruzioni	IT	 P42
Bruksanvisning	SE	 P55
Bruksanvisning	NO	 P68
Brugsanvisning	DK	 P81
Käyttöopas	FI	 P94
Kullanım Kılavuzu	TR	 P107

For the Instruction Manual in further languages, visit: <https://www.ecovacs.com>.

Die Bedienungsanleitung in anderen Sprachen findest du unter: <https://www.ecovacs.com>.

Pour obtenir le Manuel d'instruction dans différentes langues, visitez : <https://www.ecovacs.com>.

Per il manuale d'istruzioni in altre lingue, visitare il sito Web: <https://www.ecovacs.com>.

Bruksanvisningen finns på fler språk på: <https://www.ecovacs.com>.

Du finner bruksanvisningen på flere språk på: <https://www.ecovacs.com>.

Du kan finde brugsanvisningen på flere sprog på: <https://www.ecovacs.com>.

Käyttöopas on saatavilla muilla kielillä osoitteessa <https://www.ecovacs.com>.

Diğer dillerde sunulan Kullanım Kılavuzu için şu adresi ziyaret edin: <https://www.ecovacs.com>.

IMPORTANT SAFETY INSTRUCTIONS

IMPORTANT SAFETY INSTRUCTIONS

When using an electrical Appliance, basic precautions should always be followed, including the following:

READ ALL INSTRUCTIONS BEFORE USING THIS APPLIANCE

SAVE THESE INSTRUCTIONS

1. This Appliance can be used by children aged from 8 years and above and persons with reduced physical, sensory or mental capabilities or lack of experience and knowledge if they have been given supervision or instruction concerning use of the Appliance in a safe way and understand the hazards involved. Children shall not play with the Appliance. Cleaning and user maintenance shall not be made by children without supervision.
2. Clear the area to be cleaned. Remove power cords and small objects from the floor that could entangle the Appliance. Tuck rug fringe under the rug base, and lift items such as curtains and tablecloths off the floor.
3. If there is a drop off in the cleaning area due to a step or stairs, you should operate the Appliance to ensure that it can detect the step without falling over the edge. It may become necessary to place a physical barrier at the edge to keep the unit from falling. Make sure the physical barrier is not a trip hazard.
4. Only use as described in this manual. Only use attachments recommended or sold by the manufacturer.
5. For INDOOR household use ONLY. Do not use the Appliance in outdoor, commercial or industrial environments.
6. Do not use without dust bin and/or filters in place.
7. Do not operate the Appliance in an area where there are lit candles or fragile objects.
8. Keep hair, loose clothing, fingers, and all parts of body away from any openings and moving parts.
9. Do not operate the Appliance in a room where an infant or child is sleeping.
10. Do not use Appliance on wet surfaces or surfaces with standing water.
11. Do not allow the Appliance to pick up large objects like stones, large pieces of paper or any item that may clog the Appliance.

12. Do not use Appliance to pick up flammable or combustible materials such as gasoline, printer or copier toner, or use in areas where they may be present.
13. Do not use Appliance to pick up anything that is burning or smoking, such as cigarettes, matches, hot ashes, or anything that could cause a fire.
14. Do not put objects into the suction intake. Do not use if the suction intake is blocked. Keep the intake clear of dust, lint, hair, or anything that may reduce air flow.
15. If the power cord is damaged, it must be replaced by the manufacturer or its service agent in order to avoid a hazard.
16. Turn OFF the power switch before cleaning or maintaining the Appliance.
17. The lithium battery type suitable for CH2311 is Max. 8 cells, max. nominal voltage DC 14.4V, rated capacity 4,800mAh. The battery must be removed and discarded according to local laws and regulations before disposal of the Appliance.
18. Please dispose of used batteries according to local laws and regulations.
19. Do not incinerate the Appliance even if it is severely damaged. The batteries can explode in a fire.
20. The Appliance must be used in accordance with the directions in this Instruction Manual. Ecovacs Home Service Robotics cannot be held liable or responsible for any damages or injuries caused by improper use.
21. The robot contains batteries that are only replaceable by skilled persons. To replace the robot's battery, please contact Customer Service.
22. Please make sure your power supply source voltage matches the power voltage marked on the OMNI Station.
23. Use only the original rechargeable battery and OMNI Station provided with the Appliance from the manufacturer. Non-rechargeable batteries are prohibited.
24. Take care not to damage the power cord. Do not pull on or carry the Appliance or OMNI Station by the power cord, use the power cord as a handle, close a door on the power cord, or pull power cord around sharp edges or corners. Do not run Appliance over the power cord. Keep power cord away from hot surfaces.
25. Do not use the OMNI Station if it is damaged.

The power supply is not to be repaired and not to be used any longer if it is damaged or defective.

26. Do not use with a damaged power cord or receptacle. Do not use the Appliance or OMNI Station if it is not working properly, has been dropped, damaged, left outdoors, or come in contact with water. It must be repaired by the manufacturer or its service agent in order to avoid a hazard.
27. The plug must be removed from the receptacle before cleaning or maintaining the OMNI Station.
28. Remove the Appliance from the OMNI Station, and turn OFF the power switch to the Appliance before removing the battery for disposal of the Appliance.
29. When not using the OMNI Station for a long period of time, please unplug it.
30. If the robot will not be used for a long time, power OFF the robot for storage and unplug the OMNI Station.
31. **WARNING**-Add clean water into the clean tank only.
32. **WARNING:** For the purposes of recharging

the battery, only use the detachable supply unit CH2311 provided with the Appliance.









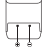

To satisfy RF exposure requirements, a separation distance of 20 cm or more should be maintained between this device and persons during device operation.

To ensure compliance, operations at closer than this distance is not recommended. The antenna used for this transmitter must not be co-located in conjunction with any other antenna or transmitter.

Device Update

Typically, some devices are updated bi-monthly, but not always so specific.

Some devices, especially those that went on sale more than three years ago, will only be updated if a critical vulnerability is found and fixed.

	Caution: hot surface
	Short-circuit-proof safety isolating transformer
	Switch mode power supply
	For indoor use only
	Direct current
	Alternating current
	This product conforms to the applicable EC Directives.
	Before charging, read the instructions.
	Polarity of the charging port
	Time-lag miniature fuse-link

The remote surveillance is for the absolute private use of non-public, private owned places for the pure self-protection and single control intended only. Please be aware of the local data protection based legal obligations in case of use. No surveillance of public places, especially with clandestine intent and/or on the part of the employer without justified reasons. Such not justified use is in the risk and responsibility of the user only.

European Union Compliance Statement Information on Disposal for Users of Waste Electrical & Electronic Equipment



This symbol on the product or on its packaging indicates that used electrical and electronic products should not be mixed with unsorted municipal waste.

For proper treatment, it is your responsibility to dispose of your waste equipment by arranging to return it to designated collection points.

Disposing of this product correctly will help save valuable resources and prevent any potential negative effects on human health and the environment, which could otherwise arise from inappropriate waste handling.

To return your used device, please use the return and collection systems or contact the retailer where the product was purchased, which is free of charge, please contact your local authority for further details of your nearest designated collection point.

Penalties may be applicable for incorrect disposal of this waste, in accordance with your national legislation.

Information on Disposal for Users of used batteries



This symbol means that batteries and accumulators, at their end-of-life, should not be mixed with unsorted municipal waste. Your participation is an important part of the effort to minimize the impact of batteries and accumulators on the environment and on human health. For proper recycling you can return this product or the batteries or accumulators it contains to your supplier or to a designated collection point, which is free of charge.

Disposing of this product correctly will help save valuable resources and prevent any potential negative effects on human health and the environment, which could otherwise arise from inappropriate waste handling.

Penalties may be applicable for incorrect disposal of this waste, in accordance with your national legislation. there are separate collection systems for used batteries and accumulators.

Please, dispose of batteries and accumulators correctly at your local community waste collection/ recycling center.

Restriction of the use of certain hazardous substances (RoHS) Directive

Ecovacs Home Service Robotics Co., Ltd. hereby declares the whole product including parts (cables, cords, and so on) meets the requirements of RoHS Directive 2011/65/EU and amendment Commission Delegated Directive (EU) 2015/863 on the restriction of the use of certain hazardous substances in electrical and electronic equipment ("RoHS recast" or "RoHS 2.0").

Radio Equipment Directive

Ecovacs Home Service Robotics Co., Ltd. hereby declares that the product listed in this section comply with the essential requirements and other relevant provisions of the Radio Equipment Directive 2014/53/EU.

Europe Authorised Representative:

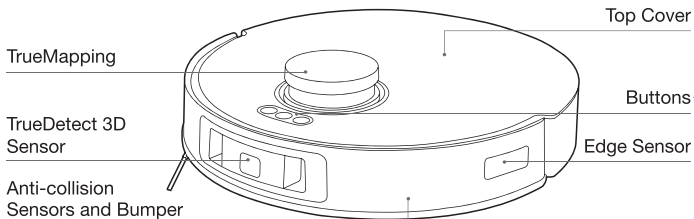


ECOVACS Europe GmbH
Holzstrasse 2 | D-40221 Düsseldorf | Germany


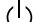

Ecovacs Home Service Robotics Co., Ltd. hereby declares that the product comply with the essential requirements and other relevant provisions of the RoHS Directive 2011/65/EU and amendment Commission Delegated Directive (EU) 2015/863, the Radio Equipment Directive 2014/53/EU. The declaration of conformity can be viewed at the following address: <https://www.ecovacs.com/global/compliance>.

PRODUCT DIAGRAM

Robot

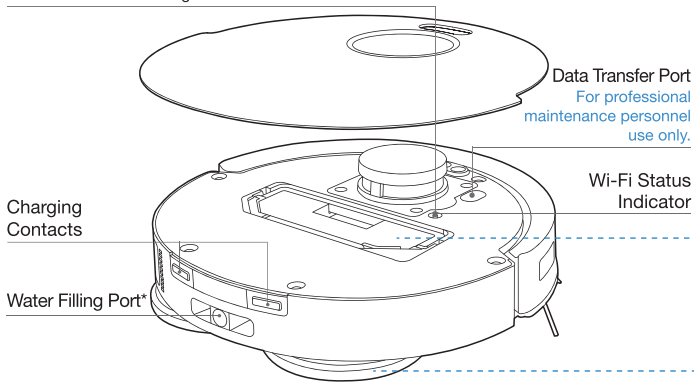


Buttons

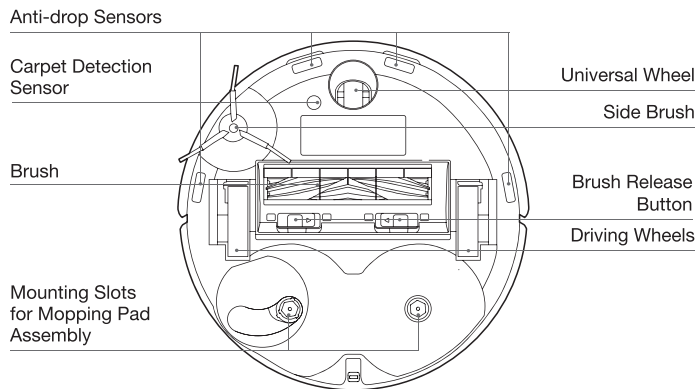
-  Short press: Exit/Return to the Station Long press: Self-clean
-  Short press: Start/Pause/Continue Long press: Power on/Power off
-  Short press: Start/End Spot Cleaning Long press: Child Lock

RESET Button

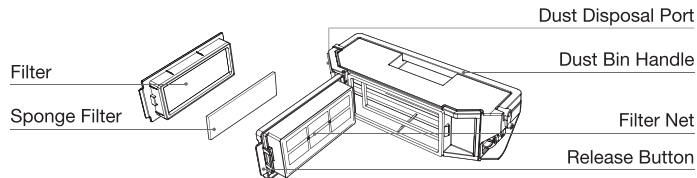
Restore to default settings: Press and hold RESET button for 5 seconds. After you hear the voice prompt, the startup music will be played and the robot will be restored to default settings.



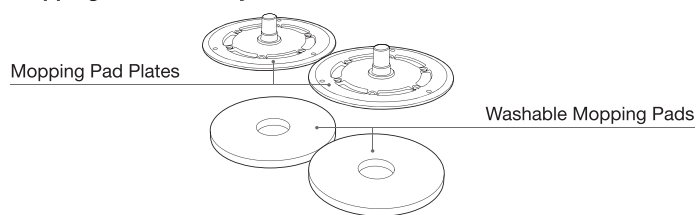
Bottom View



Dust Bin



Mopping Pad Assembly



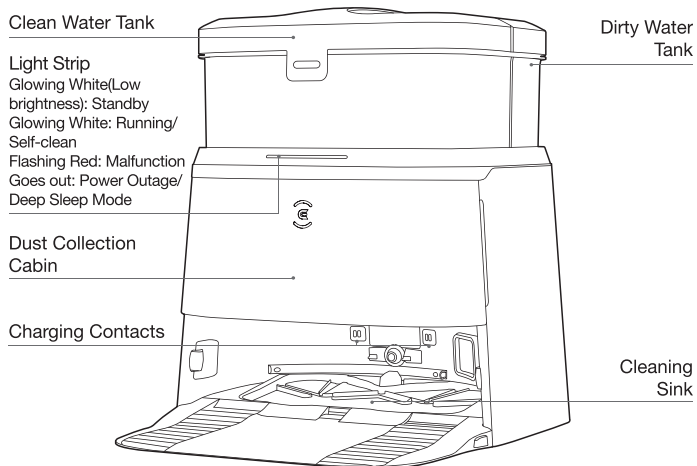
* Due to different product configurations, there may be models without a water filling port.

OMNI Station

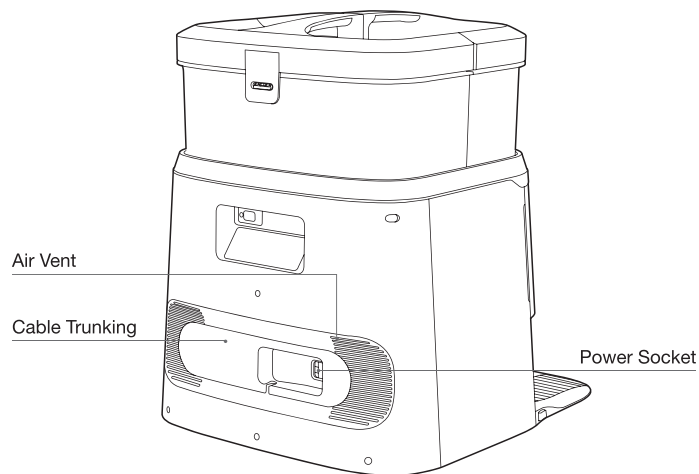
Note:

* If the Light Strip is flashing red, please check the reason in ECOVACS HOME App.

* If DEEBOT fails to charge, please wipe Charging Contacts with a clean and dry cloth.

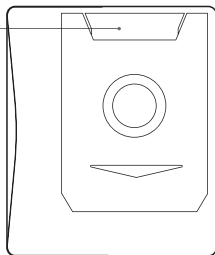


OMNI Station(Back)



Dust Bag

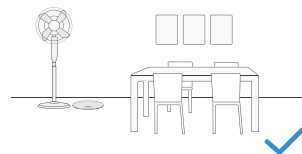
Dust Bag Handle



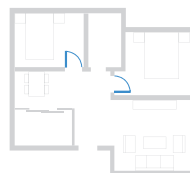
SENSORS

Name	Functional Description
TrueMapping	By utilizing the principle of triangulation, which involves emitting and receiving laser beams reflected by surrounding objects, precise distance measurement information between the DEEBOT and nearby objects can be calculated through algorithms. When the DEEBOT moves within a certain environment, the positions of surrounding objects are determined to create a spatial map of the DEEBOT's surroundings. The measurement range is 8 meters.
TrueDetect 3D Sensor	The TrueDetect 3D structured light sensor scans the object with a line laser and collect images with a monocular camera, and generates the three-dimensional coordinates of the object through image algorithms to identify the size of the object. The detection distance is 0.35m
Anti-drop Sensor	With Infrared Ranging-detecting the distance between the bottom of DEEBOT and ground by Infrared Sensor at the bottom, DEEBOT will not move forward when there are stairs in front or the identified distance exceeds the preset one, realizing the Anti-drop. The trigger distance is 60mm.
Carpet Detection Sensor	The difference in energy of the ultrasonic echo signal on different surfaces is used to identify the floor material and help DEEBOT to adjust the cleaning strategy automatically. Drive frequency 290kHz.
Edge Sensor	By the principle of infrared ranging, the robot detects the distance between itself and objects on its side. When there is a wall or obstacle on the right side, the robot performs edge-cleaning operations to avoid missing any spots and collisions.
Anti-collision Sensor	When the transmitted signal is blocked by an obstacle, the signal receiver will not be able to receive the signal. With this principle, DEEBOT will avoid obstacles when colliding with them.

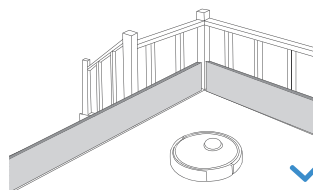
NOTES BEFORE CLEANING



Tidy up the area to be cleaned by putting furniture, such as chairs, in their proper place.



During the first use, make sure each room door is open to help DEEBOT fully explore your house.



It may be necessary to place a physical barrier at the edge of a drop to stop the unit from falling over the edge.



Put away objects including cables, cloths and slippers, etc. on the floor to improve the cleaning efficiency.



Before using the product on a rug with tasseled edges, please fold the rug edges under.



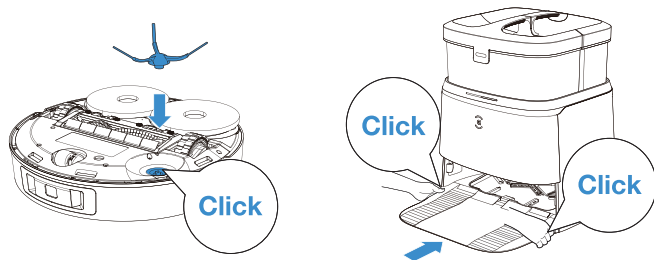
Please do not stand in narrow spaces, such as hallways, and make sure not to block the TrueMapping Distance Sensor.

QUICK START

Before using DEEBOT, please remove all protective materials.

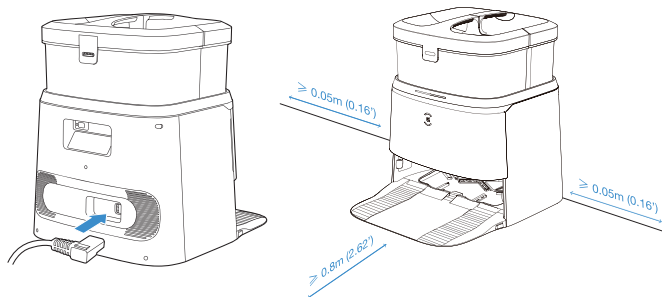
1 Installation

The sound of Click indicates proper installation.



2 Assemble and Place the Station

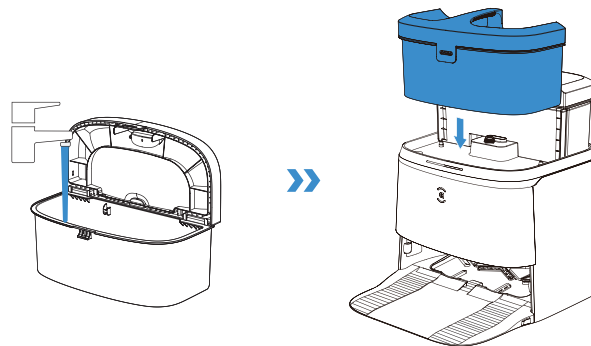
Keep the area around the Station clear of objects especially objects with reflective surfaces.



Note:

- If there are reflective objects such as mirrors and reflective skirting lines near the Station, the bottom 14cm of that should be covered.
- Do not place the Station under direct sunlight.
- It is recommended to place the Station on the hard floor to experience complete functions of the robot.
- Place Station in a location with a strong Wi-Fi signal.

Use Tanks



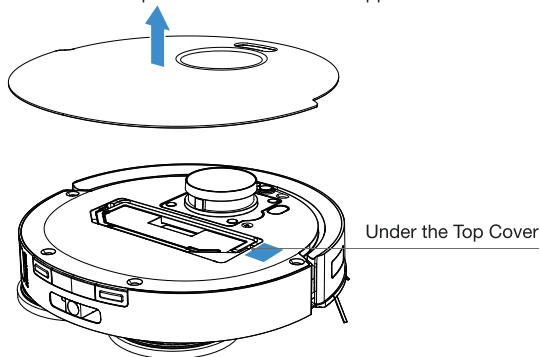
Note:

- * It is recommended to use ECOVACS DEEBOT Cleaning Solution (sold separately). Using other cleaning solution may cause DEEBOT slipping, water tank block and other problems.
- * The water drops in the Water Tank are left over from the function test, please rest assured to use.

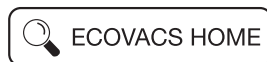
DOWNLOAD THE ECOVACS HOME APP

To enjoy all available features, it is recommended to control your DEEBOT via the ECOVACS HOME App.

1. Scan the QR Code under the Top Cover to download the App.


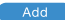


2. Search the ECOVACS HOME to download the App.



CONNECT DEEBOT WITH APP

1. Via Bluetooth:

Turn on the DEEBOT and mobile phone Bluetooth. Allow the App to obtain mobile phone Bluetooth permission. Tap  to scan the QR Code on DEEBOT or tap  in the App to find nearby DEEBOT.

2. Via Wi-Fi:


You can connect DEEBOT with App via Wi-Fi by ignoring Bluetooth in the App.

Note: Please select the appropriate connecting method.

Wi-Fi Network Requirements:


- You are using a 2.4GHz or 2.4/5 GHz mixed network.
- Your router supports 802.11b/g/n and IPv4 protocol.
- Do not use a VPN (Virtual Private Network) or Proxy Server.
- Do not use a hidden network.
- WPA and WPA2 using TKIP, PSK, AES/CCMP encryption.
- WEP EAP (Enterprise Authentication Protocol) is not supported.
- Use Wi-Fi channels 1-11 in North America and channels 1-13 outside North America (refer to local regulatory agency).
- If you are using a network extender/repeater, the network name (SSID) and password are the same as your primary network.
- Please enable the WPA2 on your router.

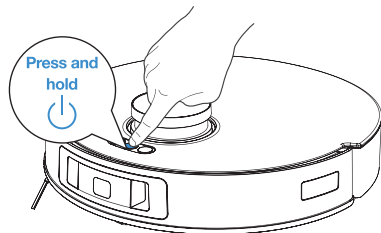
Wi-Fi Indicator Light

	White light slow flash	Connecting
	White light fast flash	Disconnected to Wi-Fi
	Solid Blue Light	Connected to Wi-Fi

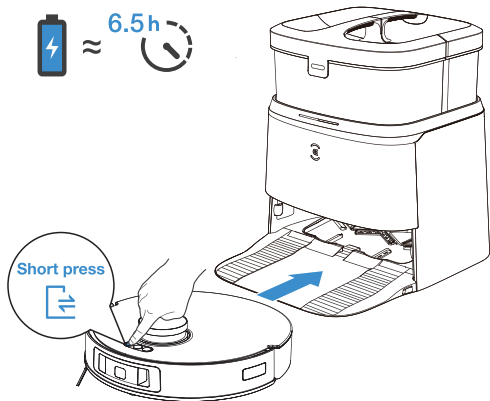
Please be aware that the realization of intelligent functions such as remote startup, voice interaction, 2D/3D map display and control settings, and personalized cleaning (depending on different products) requires users to download and use ECOVACS HOME App, which is constantly updated. You need to agree to our Privacy Policy and User Agreement before we can process some of your basic and necessary information and enable you to operate the product. If you do not agree with our Privacy Policy and User Agreement, some of the aforementioned intelligent functions cannot be realized through ECOVACS HOME App, but you can still use the basic functions of this product for manual operation.

Power ON and Charge DEEBOT

1 Press and hold  for 3 seconds, wait for the startup music to play, indicating that the DEEBOT has powered on.



2 Short press  to recall DEEBOT to enter the Station to charge.




Note: After DEEBOT enters the Station, wait for about 5 seconds and you will hear the voice prompt "Pairing Successful".

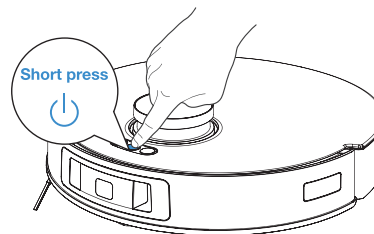
OPERATE DEEBOT

DEEBOT will create a map during the first-time cleaning. When creating a map for the first time, please follow DEEBOT to help eliminate some minor issues.

For example, DEEBOT may get stuck under the furniture. Please refer to the following solutions:

1. Raise the low sitting furniture if possible;
2. Cover the bottom of the furniture;
3. Set up Virtual Boundary via the App.

Short press  to start. For the first-time cleaning, please ensure that DEEBOT is fully charged.



Note: When DEEBOT is not working, it is recommended to keep it powered ON and charging.

TECHNICAL SPECIFICATIONS

Model	DDX11		
Rated Input	20V === 2A	Charging Time	about 6.5h
Station Model	CH2311		
Rated Input	220-240V ~ 50-60Hz	Rated Output	20V === 2A
Rated Input Current(Charging)	0.5A	Power(Emptying)	1000W
Power(Hot Water Washing Mop)	1650W		
Networked Standby Power	Less than 2.00W		

Output power of the wireless module is less than 100mW.

Note: Technical and design specifications may be changed for continuous product improvement.

Explore more accessories at <https://www.ecovacs.com/global>.



**Scan the QR code for
more information.**

WICHTIGE SICHERHEITSHINWEISE

WICHTIGE SICHERHEITSHINWEISE

Beim Gebrauch eines elektrischen Geräts sind einige grundlegende Sicherheitshinweise zu beachten. Dazu gehören die folgenden Hinweise:

LIES ALLE ANWEISUNGEN VOR GEBRAUCH DIESES GERÄTS. BEWAHRE DIESE ANLEITUNG AUF.

1. Dieses Gerät ist zur Verwendung durch Kinder ab acht Jahren oder durch Personen mit eingeschränkten physischen, sensorischen oder geistigen Fähigkeiten bzw. fehlenden Erfahrungen und Kenntnissen geeignet, sofern sie dabei beaufsichtigt oder bezüglich der sicheren Handhabung des Geräts angeleitet werden und die damit verbundenen Gefahren verstanden haben. Kinder dürfen nicht mit dem Gerät spielen. Reinigung und anwenderseitige Wartung dürfen nicht durch unbeaufsichtigte Kinder erfolgen.
2. Räume den zu reinigenden Bereich frei. Entferne Netzkabel und kleine Gegenstände, in denen sich das Gerät verfangen könnte, vom Boden. Lege Teppichfransen unter den Teppich, und achte darauf, dass Vorhänge, Tischdecken u. Ä. nicht bis zum Boden herunterhängen.
3. Wenn sich im zu reinigenden Bereich Absätze in Form von Stufen oder Treppen befinden, ist das Gerät so zu bedienen, dass die Stufe erkannt wird, ohne dass das Gerät über die Kante fällt. Es kann erforderlich sein, eine physische Barriere an der Kante anzubringen, um ein Herunterfallen des Geräts zu verhindern. Stelle sicher, dass die physische Barriere keine Stolperfalle darstellt.
4. Verwende das Gerät nur gemäß der Beschreibung in dieser Bedienungsanleitung. Verwende nur empfohlene bzw. vom Hersteller angebotene Zubehörteile.
5. Verwende das Gerät AUSSCHLIEßLICH für INNENRÄUME im Haushalt. Verwende das Gerät nicht im Freien oder für kommerzielle oder industrielle Anwendungen.
6. Verwende das Gerät nicht ohne Staubbehälter bzw. -filter.
7. Verwende das Gerät nicht in Bereichen, in denen sich brennende Kerzen oder zerbrechliche Gegenstände befinden.
8. Halte Haare, lose Kleidung, Finger und sonstige Körperteile von Öffnungen und sich bewegenden Teilen fern.
9. Verwende das Gerät nicht in Räumen, in denen Babys oder Kinder schlafen.

10. Verwende das Gerät nicht auf feuchten Flächen oder auf Flächen mit stehendem Wasser.
11. Achte darauf, dass das Gerät keine größeren Gegenstände wie Steine, große Papierstückchen oder sonstige Gegenstände aufnimmt, die das Gerät verstopfen könnten.
12. Verwende das Gerät nicht, um entzündliche oder brennbare Materialien wie Benzin, Drucker- oder Kopierertoner aufzunehmen, und nicht in Bereichen, in denen diese Materialien anzutreffen sind.
13. Verwende das Gerät nicht, um Zigaretten, Streichhölzer, heiße Asche oder sonstige brennende, qualmende oder brandauslösende Gegenstände aufzunehmen.
14. Stecke keine Gegenstände in die Ansaugöffnung. Lasse das Gerät nicht mit verstopfter Ansaugöffnung arbeiten. Halte die Ansaugöffnung frei von Staub, Flusen, Haaren oder sonstigen den Luftstrom behindernden Materialien.
15. Wenn das Netzkabel beschädigt ist, muss es durch den Hersteller oder dessen Kundendienst ausgewechselt werden, damit keine Gefahren davon ausgehen.
16. Schalte das Gerät vor dem Reinigen oder Warten durch Betätigen des Ein-/Ausschalters AUS.
17. Der für das Netzteil CH2311 geeignete Lithium-Akkutyp hat max. 8 Zellen und eine max. Nennspannung von DC 14,4 V sowie eine Nennkapazität von 4.800 mAh. Vor dem Entsorgen des Geräts ist der Akku entsprechend den örtlichen Gesetzen und Vorschriften zu entfernen und zu entsorgen.
18. Gebrauchte Akkus sind entsprechend den örtlichen Gesetzen und Vorschriften zu entsorgen.
19. Verbrenne das Gerät nicht, auch wenn es stark beschädigt ist. Die Akkus können im Feuer explodieren.
20. Verwende das Gerät immer gemäß den Anweisungen in dieser Bedienungsanleitung. Ecovacs Home Service Robotics übernimmt keine Haftung für Verletzungen und Schäden, die durch unsachgemäße Nutzung entstehen.
21. Der Roboter enthält Akkus, die nur durch geschultes Personal ausgewechselt werden dürfen. Zum Auswechseln oder Entfernen des Roboter-Akkus wende dich bitte an den Kundendienst.
22. Stelle sicher, dass die Spannung der Stromquelle mit der auf der OMNI-Station angegebenen Netzspannung übereinstimmt.
23. Benutze nur den aufladbaren Original-Akku und die OMNI-Station, die vom Hersteller mit dem Gerät mitgeliefert wurden. Nicht wiederaufladbare Batterien sind nicht zulässig.
24. Achte darauf, dass das Netzkabel nicht beschädigt wird. Ziehe oder trage das Gerät bzw. die OMNI-Station nicht am Netzkabel,

- verwende das Netzkabel nicht als Griff, klemme das Netzkabel nicht in einer geschlossenen Tür ein, und ziehe es nicht über scharfe Kanten oder Ecken. Achte darauf, dass das Gerät nicht über das Netzkabel fährt. Halte das Netzkabel von heißen Flächen fern.
25. Verwende die OMNI-Station nicht, wenn sie beschädigt ist. Das Netzteil darf nicht repariert oder weiterverwendet werden, wenn es beschädigt oder defekt ist.
 26. Verwende das Gerät nicht, wenn das Netzkabel oder die Steckdose beschädigt ist. Verwende das Gerät oder die OMNI-Station nicht, wenn es bzw. sie nicht einwandfrei funktioniert, heruntergefallen ist, beschädigt wurde, im Freien gelassen wurde oder mit Wasser in Berührung gekommen ist. Die Reparatur muss durch den Hersteller oder dessen Kundendienst durchgeführt werden, um Gefahren zu vermeiden.
 27. Vor dem Reinigen oder Warten der OMNI-Station muss der Stecker aus der Steckdose gezogen werden.
 28. Entferne vor dem Entsorgen des Geräts den Akku. Nimm hierzu das Gerät aus der OMNI-Station, und schalte es durch Betätigen des Ein-/Ausschalters aus.
 29. Wenn die OMNI-Station längere Zeit nicht benutzt wird, ist sie vom Stromnetz zu trennen.
 30. Wenn der Roboter längere Zeit nicht benutzt wird, schalte ihn zur Aufbewahrung aus. Trenne außerdem die OMNI-Station vom Netz.
 31. **WARNUNG** – Gib nur Frischwasser in den Frischwasserbehälter.
 32. **WARNUNG:** Verwende zum Wiederaufladen des Akkus ausschließlich das mit dem Gerät mitgelieferte abnehmbare Netzteil CH2311.



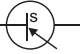





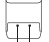
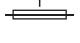
Um den Anforderungen der HF-Strahlenbelastungsrichtlinien zu entsprechen, ist beim Betrieb dieses Gerätes ein Mindestabstand von 20 cm zwischen dem Gerät und Personen einzuhalten.

Um die Einhaltung der Richtlinien zu gewährleisten, sollte der Abstand beim Betrieb nicht geringer sein. Die für diesen Sender verwendete Antenne darf nicht in Verbindung mit anderen Antennen oder Sendern aufgestellt werden.

Geräteaktualisierung

In der Regel werden einige Geräte alle zwei Monate aktualisiert, aber das muss nicht auf jedes Gerät zutreffen.

Einige Geräte, insbesondere solche, die vor mehr als drei Jahren in den Handel kamen, werden nur aktualisiert, wenn eine kritische Schwachstelle gefunden wurde und behoben wird.

	Vorsicht: heiße Oberfläche
	Kurzschlussfester Sicherheitstransformator
	Schaltnetzteil
	Nur zur Verwendung in Innenräumen vorgesehen
	Gleichstrom
	Wechselstrom
	Dieses Produkt entspricht den geltenden EU-Richtlinien.
	Lies bitte vor dem Laden die Anweisungen.
	Polarität des Ladeanschlusses
	Träge Miniatur- Sicherungsverbindung

Die Fernüberwachung ist ausschließlich für die private Nutzung in nicht öffentlichen, privaten Orten zum reinen Selbstschutz und zur alleinigen Kontrolle bestimmt. Bitte beachte bei der Nutzung die geltenden Datenschutzgesetze. Die Überwachung öffentlicher Orte, insbesondere im Heimlichen und/oder seitens des Arbeitgebers ohne berechtigte Gründe, ist unzulässig. Für eine solche unberechtigte Nutzung übernimmt ausschließlich der Benutzer die Verantwortung und das Risiko.

Konformitätserklärung für die Europäische Union

Informationen für Anwender zur Entsorgung von Elektro- und Elektronikmüll



Dieses Symbol auf dem Produkt oder der Verpackung weist darauf hin, dass gebrauchte elektrische und elektronische Geräte nicht mit dem unsortierten Hausmüll entsorgt werden dürfen. Für eine ordnungsgemäße Behandlung bist du dafür verantwortlich, deine Altgeräte an die dafür vorgesehenen Sammelstellen zu übergeben. Eine ordnungsgemäße Entsorgung dieses Gerätes trägt dazu bei, wertvolle Ressourcen einzusparen und mögliche negative Auswirkungen auf die menschliche Gesundheit und die Umwelt zu vermeiden, die andernfalls durch die unsachgemäße Behandlung von Abfällen entstehen können.

Für die Rückgabe deines gebrauchten Geräts verwende bitte das Rückgabe- und Abholungssystem oder wende dich an den Händler, bei dem das Produkt gekauft wurde. Dieser nimmt es kostenlos zurück. Weitere Informationen zur nächstgelegenen Abholstelle erhältst du bei deiner örtlichen Behörde.

Bei einer unsachgemäßen Entsorgung dieses Abfalls können gemäß nationaler Gesetzgebung Strafen verhängt werden.

Informationen zur Entsorgung gebrauchter Akkus



Dieses Symbol bedeutet, dass Batterien und Akkus am Ende ihrer Lebensdauer nicht mit dem unsortierten Hausmüll entsorgt werden dürfen. Deine Mitwirkung ist ein wichtiger Teil der Bemühungen, die Auswirkungen von Batterien und Akkus auf die Umwelt und die menschliche Gesundheit zu minimieren. Du kannst dieses Gerät oder die darin enthaltenen Batterien oder Akkus für eine ordnungsgemäße Wiederverwertung bei deinem Anbieter oder einer dafür vorgesehenen Sammelstelle kostenlos zurückgeben.

Eine ordnungsgemäße Entsorgung dieses Gerätes trägt dazu bei, wertvolle Ressourcen einzusparen und mögliche negative Auswirkungen auf die menschliche Gesundheit und die Umwelt zu vermeiden, die andernfalls durch die unsachgemäße Behandlung von Abfällen entstehen können.

Bei einer unsachgemäßen Entsorgung dieses Abfalls können gemäß nationaler Gesetzgebung Strafen verhängt werden.

Es gibt separate Sammelsysteme für gebrauchte Batterien und Akkus.

Entsorge Batterien und Akkus ordnungsgemäß bei deiner örtlichen Müllsammelstelle/Recyclingstelle.

Richtlinie zur Beschränkung der Verwendung bestimmter gefährlicher Stoffe in Elektro- und Elektronikgeräten (RoHS)

Ecovacs Home Service Robotics Co., Ltd. erklärt hiermit, dass der gesamte Artikel, einschließlich der Zubehörteile (Kabel, Leitungen usw.), die Anforderungen der RoHS-Richtlinie 2011/65/EU und der delegierten Richtlinie der Kommission (EU) 2015/863 zur Beschränkung der Verwendung bestimmter gefährlicher Stoffe in Elektro- und Elektronikgeräten erfüllt („RoHS Recast“ oder „RoHS 2.0“).

Funkanlagenrichtlinie

Ecovacs Home Service Robotics Co., Ltd. erklärt hiermit, dass der in diesem Abschnitt aufgeführte Artikel den grundlegenden Anforderungen und anderen diesbezüglichen Bestimmungen der Funkanlagenrichtlinie 2014/53/EU entspricht.

Bevollmächtigte Vertretung für Europa:

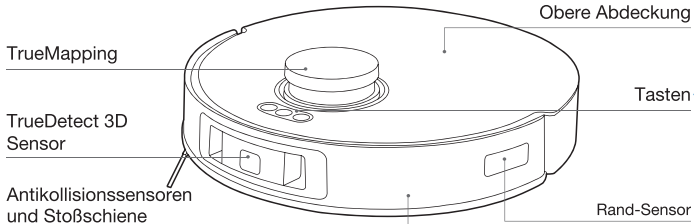


ECOVACS Europe GmbH
Holzstraße 2 | D-40221 Düsseldorf | Deutschland




Ecovacs Home Service Robotics Co., Ltd. erklärt hiermit, dass der Artikel den grundlegenden Anforderungen und weiteren ihn betreffenden Bestimmungen der RoHS-Richtlinie 2011/65/EU sowie der ergänzten delegierten Richtlinie der Kommission (EU) 2015/863 und der Funkanlagenrichtlinie 2014/53/EU, entspricht. Die Konformitätserklärung kann unter folgender Website eingesehen werden: <https://www.ecovacs.com/global/compliance>.

PRODUKTZEICHNUNG

Roboter

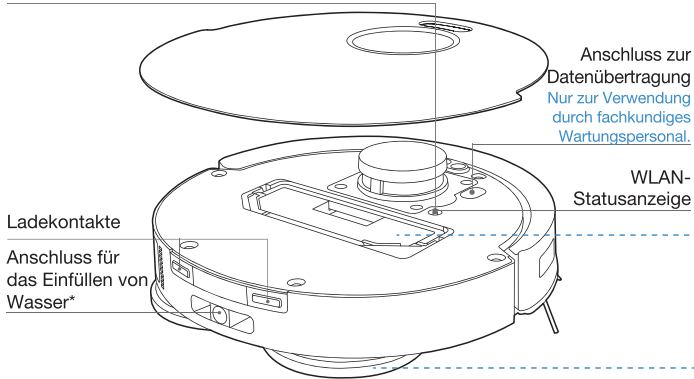


Tasten

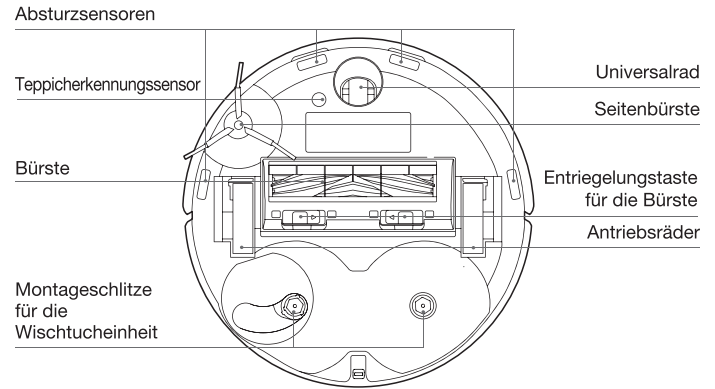
-  Kurz drücken: Beenden/Zurück zur Station Lang drücken: Selbstreinigung
-  Kurz drücken: Start/Pause/Fortsetzen Lang drücken: Einschalten/Ausschalten
-  Kurz drücken: Punktreinigung starten/beenden Lang drücken: Kindersicherung

RESET-Taste

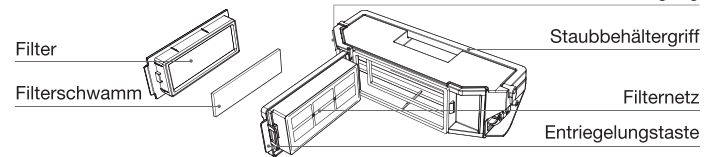
Standardeinstellungen wiederherstellen: Halte die RESET-Taste 5 Sekunden lang gedrückt. Nach der Sprachansage wird die Startmusik abgespielt, und der Roboter wird auf die Standardeinstellungen zurückgesetzt.



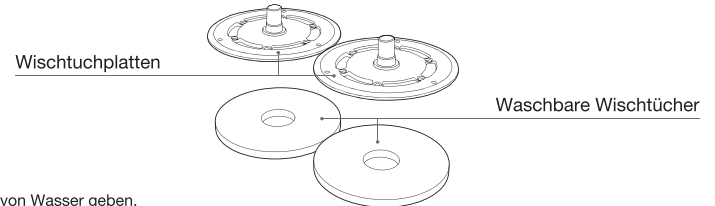
Ansicht von unten



Staubbehälter



Wischtucheinheit

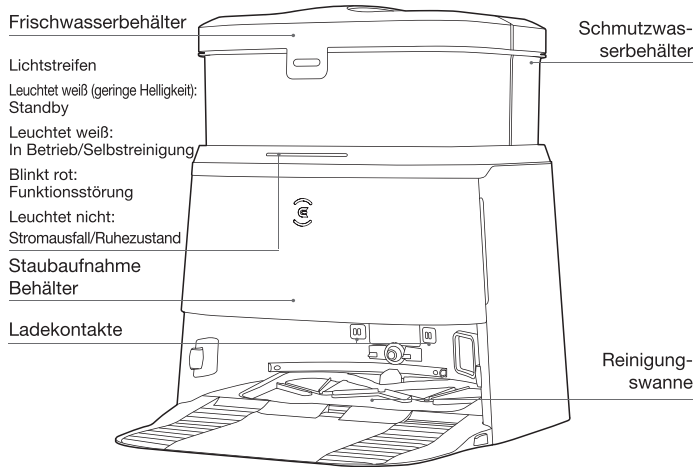


* Aufgrund unterschiedlicher Produktkonfigurationen kann es Modelle ohne Anschluss für das Einfüllen von Wasser geben.

OMNI-Station

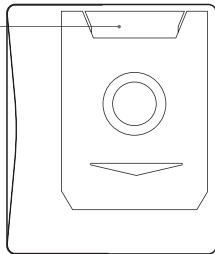
Hinweis:

- * Wenn der Lichtstreifen rot blinkt, prüfe bitte über die App ECOVACS HOME, was die Ursache ist.
- * Wenn der DEEBOT nicht lädt, wische die Ladekontakte mit einem sauberen und trockenen Tuch ab.

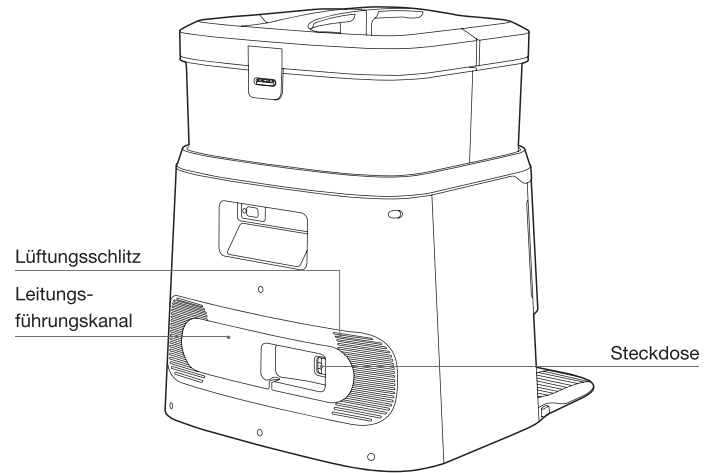


Staubbeutel

Staubbeutelgriff



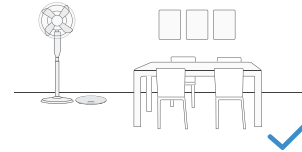
OMNI-Station (Rückseite)



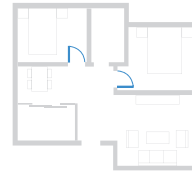
SENSOREN

Name	Funktionsbeschreibung
TrueMapping	Durch die Anwendung der Triangulation, bei der Laserstrahlen, die von umgebenden Objekten reflektiert werden, abgegeben und empfangen werden, können mithilfe von Algorithmen präzise Informationen zur Messung der Entfernung zwischen dem DEEBOT und Objekten in seiner Nähe berechnet werden. Wenn sich der DEEBOT innerhalb einer bestimmten Umgebung bewegt, werden die Positionen der Objekte in seiner Umgebung ermittelt. Darauf basierend wird eine räumliche Karte der Umgebung des DEEBOT erstellt. Der Messabstand beträgt 8 Meter.
TrueDetect 3D-Sensor	Der strukturierte TrueDetect 3D-Lichtsensord scannt das Objekt mit einem Linienlaser, erfasst Bilder mit einer Monokularkamera und generiert die dreidimensionalen Koordinaten des Objekts mithilfe von Bildalgorithmen, um die Größe des Objekts zu ermitteln. Der Erkennungsabstand beträgt 0,35 m.
Absturzsensord	Infrarotlicht erkennt den Abstand zwischen der Unterseite von DEEBOT und dem Boden durch den Infrarotsensord an der Unterseite. DEEBOT bewegt sich also nicht weiter nach vorn, wenn sich eine Treppe vor ihm befindet oder der ermittelte Abstand den voreingestellten Wert überschreitet. Auf diese Weise ist das Gerät vor Stürzen geschützt. Der Triggerabstand beträgt 60 mm.
Teppicherkenndensord	Der Energieunterschied des Ultraschallechosignals auf verschiedenen Oberflächen wird für die Identifizierung des Bodenmaterials genutzt. Dies unterstützt DEEBOT bei der automatischen Anpassung der Reinigungsstrategie. Antriebsfrequenz 290 kHz.
Rand-Sensord	Mithilfe von Infrarottechnologie erkennt der Roboter den Abstand zwischen sich selbst und Objekten, die sich seitlich von ihm befinden. Befindet sich rechts neben dem Gerät ein Hindernis, führt der Roboter eine Randraeueigung durch, um keine Bereiche auszulassen und gleichzeitig Kollisionen zu vermeiden.
Antikollisionssensord	Wenn das übertragene Signal durch ein Hindernis blockiert wird, kann der Signalempfänger das Signal nicht empfangen. Dieses Prinzip hilft dem DEEBOT, Hindernisse zu meiden, wenn er auf diese zusteuert.

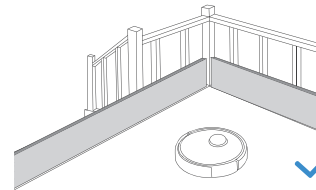
VOR DEM REINIGEN



Stelle Möbel wie Stühle im zu reinigenden Bereich an den für sie vorgesehenen Platz.



Stelle bei der ersten Verwendung sicher, dass jede Tür geöffnet ist, damit der DEEBOT dein Haus vollständig erkunden kann.



Es kann erforderlich sein, eine physische Barriere an der Kante einer Stufe anzubringen, um ein Herunterfallen des Geräts zu verhindern.



Entferne Gegenstände wie Kabel, Tücher, Hausschuhe usw. vom Boden, um die Reinigungseffizienz zu verbessern.



Schlage vor dem Gebrauch des Geräts bei Vorlegern mit Fransen die Kanten des Vorlegers um.



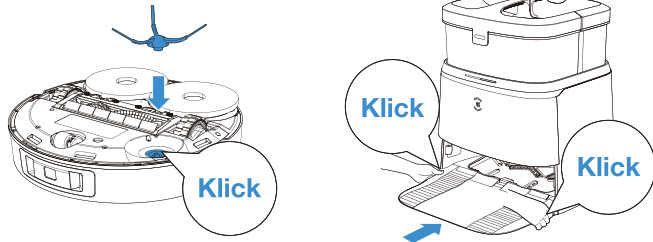
Stehe nicht an engen Stellen wie etwa in Fluren, und achte darauf, den TrueMapping-Abstandssensord nicht zu blockieren.

KURZANLEITUNG

Entferne vor der Verwendung des DEEBOT alle Schutzmaterialien.

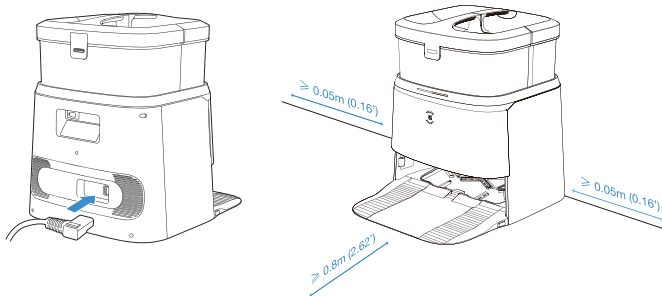
1 Installation

Das Klickgeräusch zeigt an, dass der DEEBOT richtig installiert wurde.



2 Station zusammensetzen und aufstellen

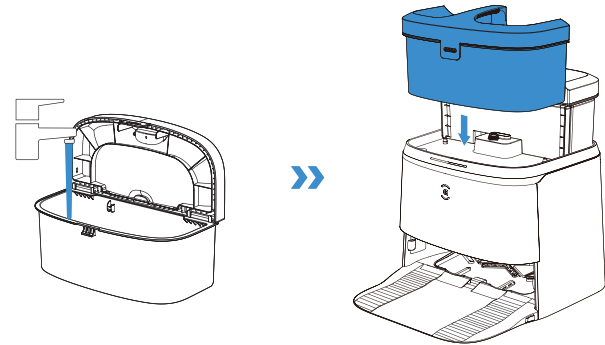
Halte die Umgebung der Station frei von Gegenständen, insbesondere von Objekten mit reflektierenden Oberflächen.



Hinweis:

- Wenn sich in der Nähe der Station reflektierende Objekte wie Spiegel und reflektierende Sockelleisten befinden, sollten die unteren 14 cm davon abgedeckt werden.
- Stelle die Station nicht in direktem Sonnenlicht auf.
- Es wird empfohlen, die Station auf einem harten Boden zu platzieren, um sämtliche Funktionen des Roboters nutzen zu können.
- Platziere die Station an einem Ort mit starkem WLAN-Signal.

Verwendung der Wasserbehälter



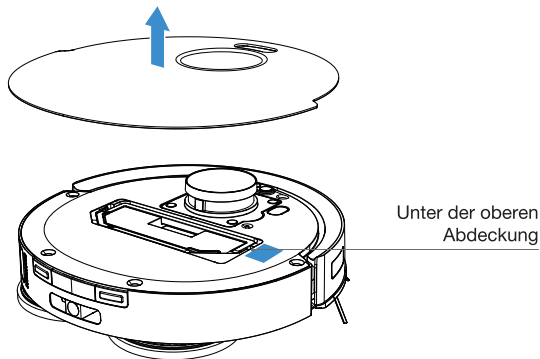
Hinweis:

- * Wir empfehlen, die DEEBOT-Reinigungslösung von ECOVACS zu verwenden (separat erhältlich). Die Verwendung anderer Reinigungsmittel kann dazu führen, dass der DEEBOT ausrutscht, der Wassertank blockiert wird und andere Probleme auftreten.
- * Die Wassertropfen im Wassertank stammen von der Funktionsprüfung. Die Verwendung kann wie gewohnt erfolgen.

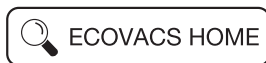
HERUNTERLADEN DER APP ECOVACS HOME

Um alle verfügbaren Funktionen nutzen zu können, wird empfohlen, deinen DEEBOT über die App ECOVACS HOME zu steuern.

1. Scanne den QR-Code unter der oberen Abdeckung, um die App herunterzuladen.





2. Suche nach der App ECOVACS HOME, um sie herunterzuladen.



DEEBOT MIT DER APP VERBINDEN

1. Über Bluetooth:

Aktiviere Bluetooth am DEEBOT und auf deinem Mobiltelefon. Erlaube der App den Zugriff auf die Bluetooth-Funktionen deines Mobiltelefons. Tippe auf , um den QR-Code auf dem DEEBOT zu scannen, oder tippe in der App auf , um einen DEEBOT in der Nähe zu finden.

2. Über WLAN:


Du kannst den DEEBOT über WLAN mit der App verbinden, indem du Bluetooth in der App ignorierst.

Hinweis: Wähle die entsprechende Verbindungsmethode aus.

Anforderungen an das WLAN-Netzwerk:

- Verwende ein 2,4-GHz- oder ein kombiniertes 2,4-/5-GHz-Netzwerk.
- Dein Router unterstützt 802.11b/g/n und das IPv4-Protokoll.
- Verwende kein VPN (Virtual Private Network) und keinen Proxy-Server.
- Verwende kein unsichtbares Netzwerk.
- Verwende WPA und WPA2 mit TKIP-, PSK- oder AES/CCMP-Verschlüsselung.
- WEP EAP (Enterprise Authentication Protocol) wird nicht unterstützt.
- Verwende die WLAN-Kanäle 1–11 in Nordamerika bzw. die Kanäle 1–13 außerhalb von Nordamerika (Einzelheiten erfährst du bei der lokalen Aufsichtsbehörde).
- Wenn du einen Netzwerk-Extender/Repeater verwendest, sind der Netzwerkname (SSID) und das Passwort identisch mit deinem primären Netzwerk.
- Aktiviere WPA2 auf deinem Router.

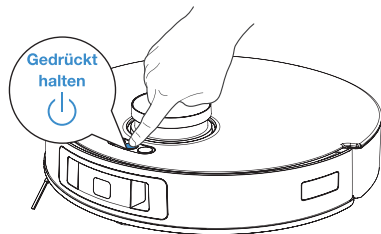
WLAN-Anzeige

	Weißes Licht blinkt langsam	Verbindung wird hergestellt
	Weißes Licht blinkt schnell	Es besteht keine WLAN-Verbindung
	Leuchtet blau:	Die WLAN-Verbindung wurde hergestellt.

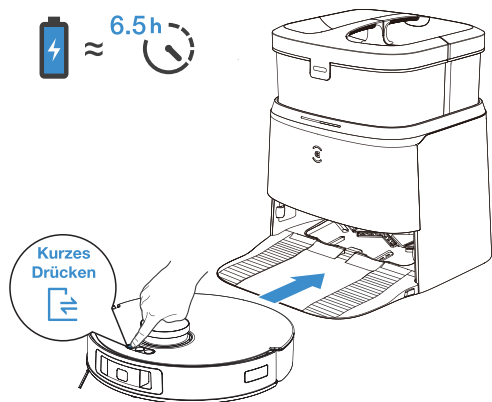
Bitte beachte, dass Benutzer die ECOVACS HOME App herunterladen und verwenden müssen, um intelligente Funktionen wie den Fernstart, die Sprachinteraktion, die Anzeige von 2D/3D-Karten und -Steuerungseinstellungen sowie die personalisierte Reinigung (je nach Produkt) nutzen zu können. Die App wird regelmäßig aktualisiert. Du musst unserer Datenschutzrichtlinie und Benutzervereinbarung zustimmen, bevor wir einige deiner grundlegenden und erforderlichen Informationen verarbeiten und dir die Nutzung des Produkts ermöglichen können. Wenn du unserer Datenschutzrichtlinie und Benutzervereinbarung nicht zustimmst, stehen dir einige der oben genannten intelligenten Funktionen über die App ECOVACS HOME nicht zur Verfügung. Du kannst jedoch weiterhin die grundlegenden Funktionen dieses Produkts im manuellen Betrieb nutzen.

DEEBOT einschalten und aufladen

1 Halte die -Taste 3 Sekunden lang gedrückt und warte, bis die Startmusik abgespielt wird. Dies zeigt, dass DEEBOT eingeschaltet ist.



2 Halte  kurz gedrückt, um den DEEBOT dazu aufzufordern, zum Laden zur Station zu fahren.




Hinweis: Warte etwa 5 Sekunden, nachdem DEEBOT die Station erreicht hat. Daraufhin wird die Sprachansage „Verbindung erfolgreich“ ausgegeben.

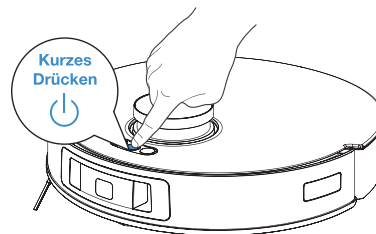
BETRIEB DES DEEBOT

Der DEEBOT erstellt während der ersten Reinigung eine Karte. Wenn er zum ersten Mal eine Karte erstellt, folge dem DEEBOT, um kleinere Probleme zu vermeiden.

Der DEEBOT könnte zum Beispiel unter Möbeln stecken bleiben. Beachte die folgenden Lösungsansätze:

1. Hebe niedrige Sitzmöbel nach Möglichkeit an;
2. Decke die Lücke zwischen Möbeln und Boden ab.
3. Richte über die App eine virtuelle Grenze ein.

Halte  kurz gedrückt, um den Vorgang zu starten. Stelle vor der ersten Reinigung sicher, dass der DEEBOT vollständig aufgeladen ist.



Hinweis: Wir empfehlen, den DEEBOT eingeschaltet zu lassen (Ein-/Ausschalter EIN) und ihn aufzuladen, wenn er gerade keine Reinigung durchführt.

TECHNISCHE SPEZIFIKATIONEN

Modell	DDX11		
Nenneingangsleistung	20 V === 2 A	Ladezeit	etwa 6,5 h
Modell der Station	CH2311		
Nenneingangsleistung	220–240 V ~ 50–60 Hz	Nennausgangsleistung	20 V === 2 A
Nenneingangsstrom (Ladevorgang)	0,5 A	Leistung (Entleerung)	1000W
Leistung (Heißwasserreinigung des Wischmopps)	1650W		
Leistungsaufnahme im vernetzten Standby-Modus	Weniger als 2,00 W		

Ausgangsleistung des WLAN-Moduls liegt unter 100 mW.

Hinweis: Technische Daten und Konstruktionspezifikationen können zum Zweck der kontinuierlichen Produktverbesserung geändert werden.

Weiteres Zubehör findest du unter <https://www.ecovacs.com/global>.



Scanne den QR-Code, um weitere Informationen zu erhalten.

CONSIGNES DE SÉCURITÉ IMPORTANTES

CONSIGNES DE SÉCURITÉ IMPORTANTES

Lors de l'utilisation d'un appareil électrique, des précautions de base doivent toujours être respectées, dont les suivantes :

LIRE TOUTES LES INSTRUCTIONS AVANT D'UTILISER CET APPAREIL. CONSERVER CES INSTRUCTIONS

1. Cet appareil peut être utilisé par des enfants à partir de 8 ans, ainsi que par des personnes dont les facultés physiques, sensorielles ou mentales sont diminuées, ou bien qui manquent d'expérience et de connaissances, à la condition qu'ils aient été informés sur la façon de se servir de l'appareil de manière sûre et qu'ils aient compris les risques éventuels. Les enfants ne doivent pas jouer avec l'appareil. Les processus de nettoyage et d'entretien de routine ne doivent pas être effectués par des enfants sans la surveillance d'un adulte.
2. Débarrasser la zone à nettoyer. Retirer les cordons d'alimentation et les petits objets présents sur le sol et susceptibles de se prendre dans l'appareil. Replier les franges sous les tapis et relever les rideaux et les nappes pour

- qu'ils ne traînent pas sur le sol.
3. Si le sol présente une déclivité dans la zone à nettoyer (une marche ou un escalier, par exemple), veiller à ce que l'appareil puisse détecter la marche sans tomber. Il peut s'avérer nécessaire de placer une barrière physique aux abords de la déclivité pour empêcher l'appareil de tomber. S'assurer que la barrière physique ne présente pas de risque de chute.
4. Utiliser l'appareil uniquement comme indiqué dans le présent manuel. Utiliser uniquement des accessoires recommandés ou vendus par le fabricant.
5. **UNIQUEMENT** destiné à un usage domestique en INTÉRIEUR. Ne pas utiliser l'appareil à l'extérieur ni dans des environnements industriels ou commerciaux.
6. Ne pas utiliser l'appareil sans réservoir à poussière et/ou sans filtre.
7. Ne pas faire fonctionner l'appareil en présence de bougies allumées ou d'objets fragiles.
8. Éloigner les cheveux, les vêtements amples, les doigts et toutes les parties du corps des orifices et des pièces mobiles.
9. Ne pas faire fonctionner l'appareil dans une pièce dans laquelle un nourrisson ou un enfant dort.
10. Ne pas utiliser l'appareil sur des surfaces humides ou recouvertes d'eau.

11. Ne pas laisser l'appareil ramasser des objets volumineux comme des pierres, de gros morceaux de papier ou tout élément susceptible de l'obstruer.
 12. Ne pas utiliser l'appareil pour ramasser des matériaux inflammables ou combustibles (essence et toners d'imprimante ou de photocopieur, par exemple) ni dans des endroits où ces produits sont susceptibles d'être présents.
 13. Ne pas utiliser l'appareil pour ramasser des objets en train de brûler ou de fumer (comme des cigarettes, des allumettes, des cendres chaudes) ou tout ce qui pourrait provoquer un incendie.
 14. Ne pas placer d'objet dans la tête d'aspiration. Ne pas utiliser l'appareil si la tête d'aspiration est bloquée. Retirer de la tête d'aspiration la poussière, les peluches, les cheveux ou tout ce qui peut réduire le débit d'air.
 15. Si le cordon d'alimentation est endommagé, il doit être remplacé par le fabricant ou son intermédiaire de service afin d'éviter tout accident.
 16. Couper l'alimentation avant le nettoyage ou l'entretien de l'appareil.
 17. Le type de batterie au lithium adapté au CH2311 est 8 cellules max., tension nominale max. 14,4V CC, capacité nominale 4 800mAh.
- la batterie doit être retirée et mise au rebut conformément aux lois et réglementations locales avant la mise au rebut de l'appareil.
18. Mettre au rebut les batteries usagées conformément aux lois et réglementations locales.
 19. Ne pas incinérer l'appareil, même s'il est gravement endommagé. Les batteries peuvent exploser sous l'effet du feu.
 20. L'appareil doit être utilisé conformément aux instructions figurant dans ce manuel d'instructions. Ecovacs Home Service Robotics ne peut être tenu responsable de tout dommage ou préjudice causé par une utilisation incorrecte.
 21. Le robot contient des batteries que seules des personnes qualifiées peuvent remplacer. Pour remplacer la batterie du robot, contacter le service clientèle.
 22. S'assurer que la tension d'alimentation correspond à celle indiquée sur la station OMNI.
 23. Utiliser uniquement la batterie rechargeable et la station OMNI d'origine fournies avec l'appareil par le fabricant. Les batteries non rechargeables sont interdites.
 24. Veiller à ne pas endommager le cordon d'alimentation. Ne pas déplacer l'appareil ou la station OMNI en tirant sur le cordon d'alimentation, ne pas utiliser le cordon d'alimentation comme une poignée, ne pas le

coincer dans une porte et ne pas tirer le cordon sur des bords ou coins tranchants. Ne pas faire rouler l'appareil sur le cordon d'alimentation. Maintenir le cordon d'alimentation à l'écart des surfaces chaudes.

25. Ne pas utiliser la station OMNI si elle est endommagée. Si l'alimentation est endommagée ou défectueuse, cesser de l'utiliser et ne pas tenter de la réparer.
26. Ne pas utiliser l'appareil si le cordon d'alimentation ou le réservoir est endommagé. Ne pas utiliser l'appareil ou la station OMNI s'ils ne fonctionnent pas correctement, ont subi une chute, ont été endommagés, sont restés à l'extérieur ou sont entrés en contact avec de l'eau. Ils doivent être réparés par le fabricant ou son intermédiaire de service afin d'éviter tout accident.
27. Le bouchon doit être retiré du réservoir avant le nettoyage ou l'entretien de la station OMNI.
28. Pour la mise au rebut de l'appareil, retirer l'appareil de la station OMNI, couper l'alimentation et retirer la batterie.
29. Si la station OMNI n'est pas utilisée pendant une longue période, la débrancher.
30. Si le robot n'est pas utilisé pendant une longue période, le mettre hors tension pour le ranger et débrancher la station OMNI.

31. **AVERTISSEMENT** : ajouter de l'eau propre uniquement dans le réservoir propre.

32. AVERTISSEMENT : Seule l'unité d'alimentation amovible CH2311 fournie avec l'appareil doit être utilisée pour recharger la batterie.









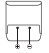

Afin de satisfaire aux exigences de sécurité de la FCC en matière d'exposition aux radiofréquences et aux circuits intégrés, une distance d'au moins 20 cm doit être maintenue entre cet appareil et les individus lorsque l'appareil est en fonctionnement.

Pour veiller au respect de ces exigences, il n'est pas conseillé d'utiliser l'appareil à une distance inférieure à celle indiquée. L'antenne utilisée pour cet émetteur ne doit pas se trouver à proximité d'une autre antenne ou d'un autre émetteur.

Mise à jour de l'appareil

En général, certains appareils sont mis à jour deux fois par mois, mais ce n'est pas toujours le cas.

Certains appareils, en particulier ceux commercialisés il y a plus de trois ans, ne seront mis à jour que si une faille critique est détectée et corrigée.

	Attention : surface chaude
	Transformateur d'isolement résistant aux courts-circuits
	Alimentation à découpage
	Utiliser uniquement à l'intérieur
	Courant continu
	Courant alternatif
	Ce produit est conforme aux directives CE applicables.
	Avant de charger, lisez les instructions.
	Polarité du port de recharge
	Fusible miniature temporisé

La télésurveillance est destinée à l'usage privé absolu de lieux non publics, de propriétés privées, à des fins d'autoprotection et de contrôle unique exclusivement. Merci de prendre connaissance des obligations légales locales en matière de protection des données en cas d'utilisation. Pas de surveillance des lieux publics, notamment dans un but dissimulé et/ou de la part de l'employeur sans raisons justifiées. Une telle utilisation non justifiée se fait aux risques et sous la responsabilité de l'utilisateur.

Déclaration de conformité de l'Union européenne

Informations sur la mise au rebut des déchets d'équipements électriques et électroniques



Ce symbole sur le produit ou sur son emballage indique que les produits électriques et électroniques usagés ne doivent pas être mis au rebut avec les déchets municipaux non triés. Pour un traitement approprié, il vous incombe de mettre au rebut votre équipement usagé en le déposant aux points de collecte désignés. La mise au rebut correcte de ce produit permettra d'économiser des ressources précieuses et d'éviter tout effet négatif potentiel sur la santé humaine et l'environnement, qui pourrait résulter d'un traitement inapproprié des déchets.

Pour retourner votre appareil usagé, utilisez les systèmes de retour et de collecte, ou contactez gratuitement le revendeur auprès duquel le produit a été acheté. Veuillez contacter votre autorité locale pour obtenir plus de détails sur le point de collecte désigné le plus proche. Des sanctions peuvent s'appliquer en cas de mise au rebut incorrecte de ces déchets, conformément à la législation nationale en vigueur.

Informations sur la mise au rebut à l'usage des utilisateurs de batteries usagées



Ce symbole signifie que les batteries et accumulateurs en fin de vie ne doivent pas être mis au rebut avec des déchets municipaux non triés. Votre participation constitue un élément important de l'effort visant à minimiser l'impact des batteries et accumulateurs sur l'environnement et la santé humaine. Pour un recyclage approprié, vous pouvez retourner gratuitement ce produit ou les batteries ou accumulateurs qu'il contient à votre fournisseur ou à un point de collecte désigné.

La mise au rebut correcte de ce produit permettra d'économiser des ressources précieuses et d'éviter tout effet négatif potentiel sur la santé humaine et l'environnement, qui pourrait résulter d'un traitement inapproprié des déchets.

Des sanctions peuvent s'appliquer en cas de mise au rebut incorrecte de ces déchets, conformément à la législation nationale en vigueur.

il existe des systèmes de collecte distincts pour les batteries et accumulateurs usagés.

Veuillez vous assurer que les batteries et les accumulateurs sont correctement mis au rebut dans votre centre local de collecte/recyclage des déchets.

Directive RoHS (Restriction de l'utilisation de certaines substances dangereuses)

Ecovacs Home Service Robotics Co., Ltd. déclare par la présente que l'ensemble du produit, y compris les pièces (câbles, cordons, etc.), répond aux exigences de la directive RoHS 2011/65/UE et de la Directive déléguée de la Commission (UE) 2015/863 relative à la limitation de l'utilisation de certaines substances dangereuses dans les équipements électriques et électroniques (« RoHS Recast » ou « RoHS 2.0 »).

Directive relative aux équipements radio

Ecovacs Home Service Robotics Co., Ltd. déclare par la présente que le produit répertorié dans cette section est conforme aux exigences essentielles et autres dispositions pertinentes de la directive sur les équipements radio 2014/53/UE.

Représentant agréé en Europe :



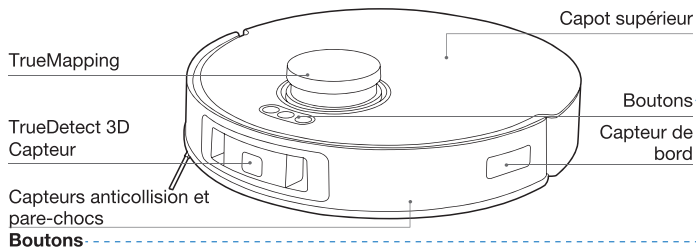
ECOVACS Europe GmbH
Holzstrasse 2 | D-40221 Düsseldorf | Allemagne

Ecovacs Home Service Robotics Co., Ltd. déclare par la présente que le produit est conforme aux exigences essentielles et autres dispositions pertinentes de la directive RoHS 2011/65/UE et de la Directive déléguée de la Commission (UE) 2015/863, la directive relative aux équipements radio 2014/53/UE.

La déclaration de conformité peut être consultée à l'adresse suivante : <https://www.ecovacs.com/global/compliance>.

SCHÉMA DU PRODUIT

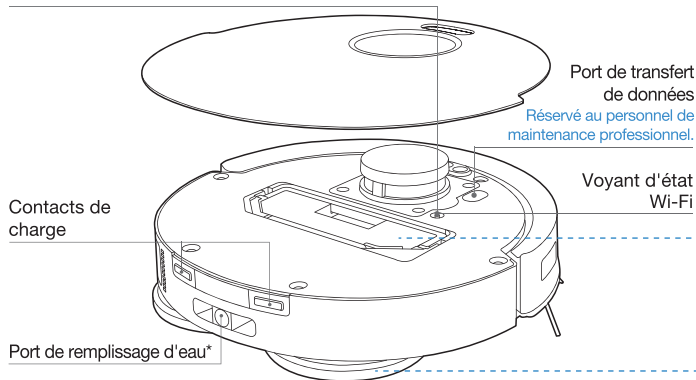
Robot



- Pression brève : Quitter/Revenir à la station Pression longue : Nettoyage automatique
- Pression brève : Démarrer/Pause/Continuer Pression longue : Mise sous tension/hors tension
- Pression brève : Démarrer/Terminer le nettoyage ponctuel Pression longue : Verrouillage enfants

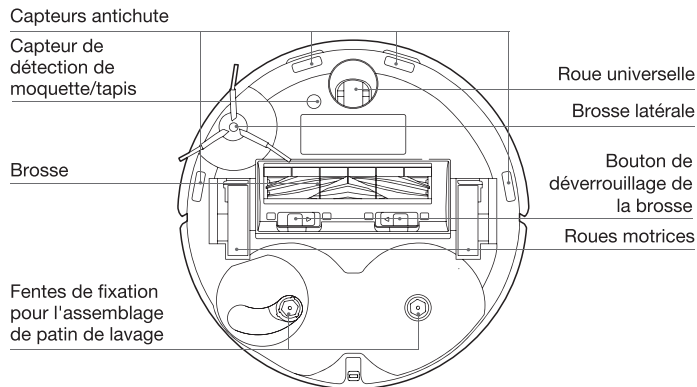
Bouton de réinitialisation

Réinitialisation des paramètres par défaut : Appuyer sur le bouton de réinitialisation pendant 5 secondes. Après avoir entendu l'invite vocale, la musique de démarrage est diffusée et les paramètres par défaut du robot sont restaurés.

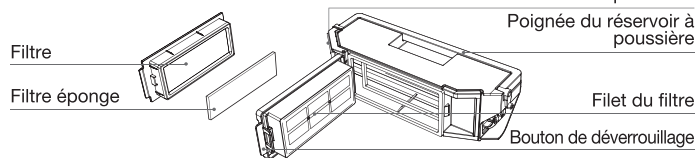


* En raison des différentes configurations du produit, il peut y avoir des modèles sans port de remplissage d'eau.

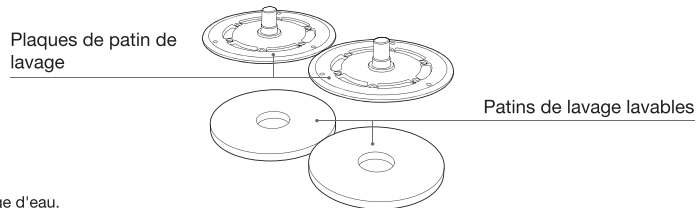
Vue de dessous



Réservoir à poussière



Assemblage de patin de lavage



Station OMNI

Remarque :

- * Si la bande lumineuse clignote en rouge, vérifier la raison dans l'application ECOVACS HOME.
- * Si le DEEBOT ne se charge pas, essuyer les contacts de charge avec un chiffon propre et sec.

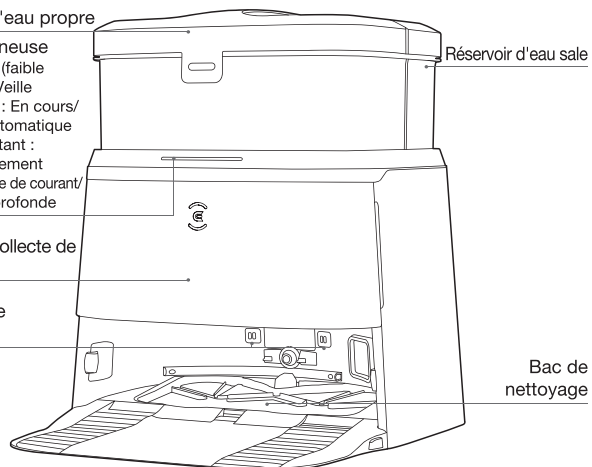
Réservoir d'eau propre

Bande lumineuse

- Blanc brillant (faible luminosité) : Veille
- Blanc brillant : En cours/Nettoyage automatique
- Rouge clignotant : Dysfonctionnement
- Éteint : Coupure de courant/mode Veille profonde

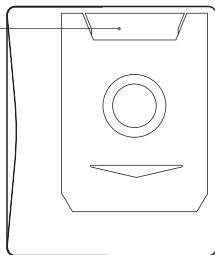
Cabine de collecte de poussière

Contacts de charge

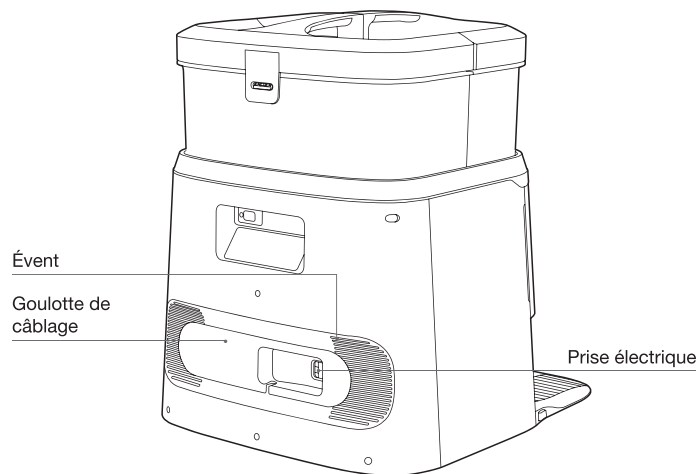


Sac à poussière

Poignée du sac à poussière



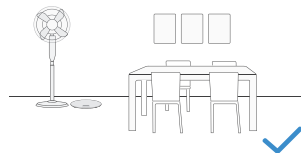
Station OMNI (arrière)



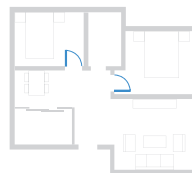
CAPTEURS

Nom	Description fonctionnelle
TrueMapping	En utilisant le principe de triangulation, qui implique l'émission et la réception de faisceaux laser réfléchis par les objets environnants, des informations précises de mesure de distance entre le DEEBOT et les objets à proximité peuvent être calculées par des algorithmes. Lorsque le DEEBOT se déplace dans un environnement donné, les positions des objets environnants sont déterminées pour créer une carte spatiale de son environnement. La plage de mesure est de 8 mètres.
Capteur 3D TrueDetect	Le capteur de lumière structuré TrueDetect 3D scanne l'objet à l'aide d'un laser linéaire et collecte des images avec une caméra monoculaire, et génère les coordonnées tridimensionnelles de l'objet à l'aide d'algorithmes d'image pour identifier la taille de l'objet. La distance de détection est de 0,35 m
Capteur antichute	Grâce à la détection infrarouge de la distance entre le fond du DEEBOT et le sol par capteur infrarouge, le DEEBOT n'avancera pas s'il y a des escaliers devant ou que la distance identifiée dépasse celle prédéfinie, d'où la garantie antichute. La distance de déclenchement est de 60 mm
Capteur de détection de moquette/tapis	La différence d'énergie du signal d'écho ultrasonique sur différentes surfaces est utilisée pour identifier le matériau du sol et permettre au DEEBOT d'ajuster automatiquement la stratégie de nettoyage. Fréquence d'entraînement 290 kHz.
Capteur de bord	Grâce au principe de la détection infrarouge de la distance, le robot détecte la distance entre lui-même et les objets à proximité. Lorsqu'un mur ou un obstacle se trouve sur le côté droit, le robot effectue des opérations de nettoyage des bords pour éviter de manquer des zones ou pour ne pas entrer en collision.
Capteur anticollision	Lorsque le signal transmis est bloqué par un obstacle, le récepteur de signal ne peut pas recevoir le signal. Grâce à ce principe, le DEEBOT évite les obstacles lorsqu'il entre en collision avec eux.

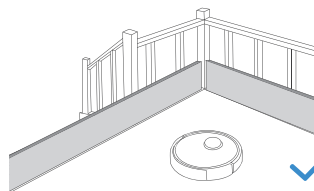
REMARQUES AVANT LE NETTOYAGE



Ranger la zone à nettoyer en mettant les meubles, par exemple les chaises, à leur place exacte.



Pour la première utilisation, s'assurer que les portes de toutes les pièces sont ouvertes pour que le DEEBOT puisse explorer entièrement votre domicile.



Il peut s'avérer nécessaire de placer une barrière physique aux abords d'une dénivelité pour empêcher l'appareil de tomber.



Ranger les objets tels que câbles, vêtements et chaussons, etc. pour une efficacité optimale de nettoyage.



Avant d'utiliser l'appareil sur un tapis à poil ras avec des franges, replier les bords sur eux-mêmes.



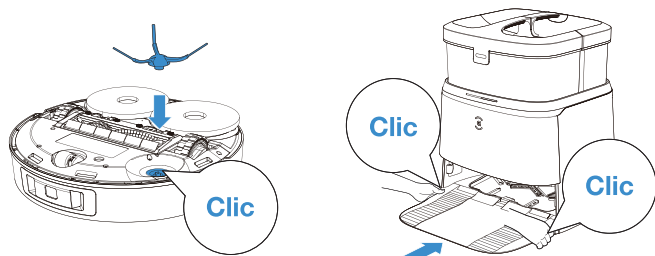
Il est important que personne ne se tienne debout dans les espaces étroits, tels que les corridors, et de veiller à ne pas bloquer le capteur de distance TrueMapping.

DÉMARRAGE RAPIDE

Avant d'utiliser le DEEBOT, retirer tous les matériaux de protection.

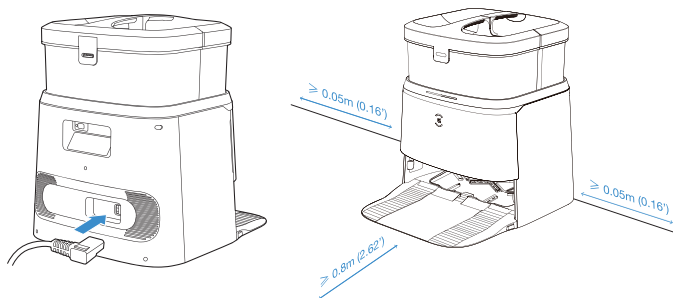
1 Installation

Le clic indique que l'installation est correcte.



2 Assembler et positionner la station

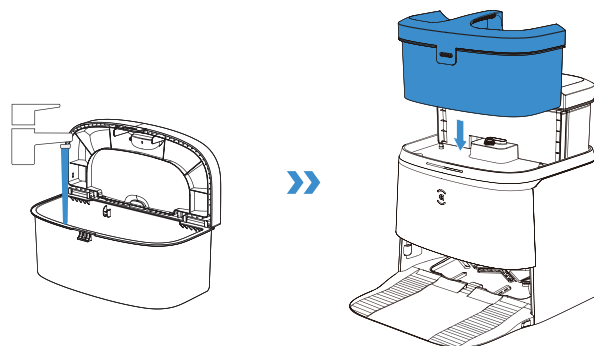
Maintenir la zone autour de la station exempte d'objets, surtout ceux ayant des surfaces réfléchissantes.



Remarque :

- Si des objets réfléchissants tels que des miroirs et des plinthes réfléchissantes se trouvent près de la station, la partie inférieure doit être couverte sur 14 cm.
- Ne pas exposer la station à la lumière directe du soleil.
- Il est recommandé de placer la station sur le plancher pour tester toutes les fonctions du robot.
- Placer la station dans un endroit où le signal Wi-Fi est fort.

Utiliser les réservoirs



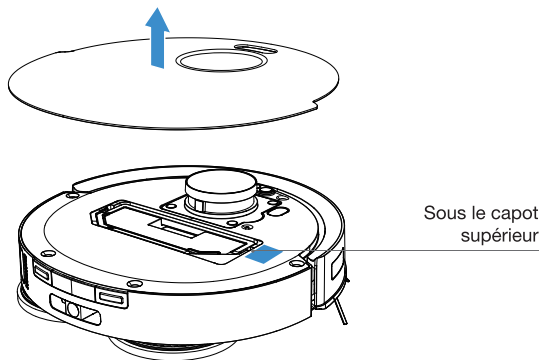
Remarque :

- * Il est recommandé d'utiliser une solution de nettoyage DEEBOT ECOVACS (vendue séparément). En cas d'utilisation d'une autre solution de nettoyage, le DEEBOT risque de patiner, le réservoir d'eau pourrait se boucher et d'autres problèmes pourraient survenir.
- * Il reste des gouttes d'eau dans le réservoir après le test de fonctionnement, vous pouvez utiliser en toute sécurité.

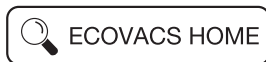
TÉLÉCHARGEZ L'APPLICATION ECOVACS HOME

Pour profiter de toutes les fonctionnalités disponibles, il est recommandé de commander votre DEEBOT via l'application ECOVACS HOME.

1. Scannez le code QR sous le capot pour télécharger l'application.





2. Recherchez ECOVACS HOME pour télécharger l'application.



CONNECTEZ LE DEEBOT AVEC L'APPLICATION

1. Via Bluetooth :

Activer le DEEBOT et le téléphone mobile Bluetooth. Autoriser l'application à obtenir la permission Bluetooth du téléphone mobile. Appuyer sur  pour scanner le code QR sur le DEEBOT ou appuyer sur  dans l'application pour trouver le DEEBOT à proximité.

2. Via Wi-Fi :


Il est possible de connecter le DEEBOT à l'application via Wi-Fi en ignorant le Bluetooth dans l'application.

Remarque : Veuillez sélectionner la méthode de connexion appropriée.

Exigences du réseau Wi-Fi :


- Vous utilisez un réseau mixte de 2,4 GHz ou 2,4/5 GHz.
- Votre routeur prend en charge les protocoles 802.11b/g/n et IPv4.
- Vous n'utilisez pas de VPN (réseau privé virtuel) ou de serveur proxy.
- Vous n'utilisez pas de réseau caché.
- Cryptage WPA et WPA2 utilisant TKIP, PSK, AES/CCMP.
- WEP EAP (Enterprise Authentication Protocol) n'est pas pris en charge.
- Vous utilisez les réseaux Wi-Fi 1-11 si vous êtes en Amérique du Nord et 1-13 en dehors de l'Amérique du Nord (référez-vous à l'organisme de réglementation local).
- Si vous utilisez un extenseur/répéteur réseau, le nom du réseau (SSID) et le mot de passe sont identiques à votre réseau principal.
- Activez le WPA2 sur votre routeur.

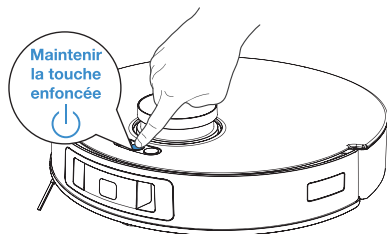
Voyant Wi-Fi

	Clignotement lent de lumière blanche	En cours de connexion
	Clignotement rapide de lumière blanche	Déconnecté du Wi-Fi
	Voyant bleu fixe	Connecté au Wi-Fi

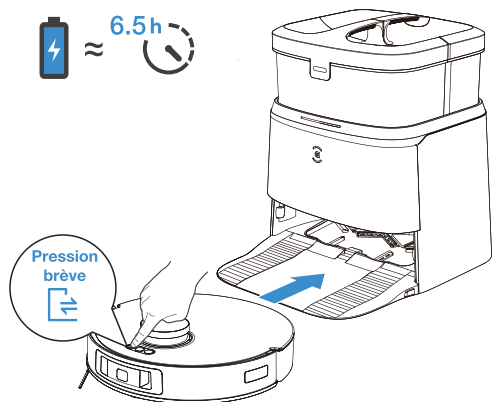
Veuillez noter que pour profiter de fonctions intelligentes telles que le démarrage à distance, l'interaction vocale, l'affichage de cartes 2D/3D et les paramètres de contrôle, ainsi que le nettoyage personnalisé (selon les produits), les utilisateurs doivent télécharger et utiliser l'application ECOVACS HOME, qui est constamment mise à jour. Vous devez accepter notre Politique de confidentialité et notre Accord de l'utilisateur avant que nous puissions traiter certaines de vos informations de base et nécessaires et vous permettre d'utiliser le produit. Si vous n'acceptez pas notre Politique de confidentialité et notre Accord de l'utilisateur, certaines des fonctions intelligentes susmentionnées ne peuvent pas être utilisées via l'application ECOVACS HOME, mais vous pouvez toujours profiter des fonctions de base de ce produit en mode manuel.

Alimentation et charge du DEEBOT

1 Maintenir la touche  enfoncée pendant 3 secondes, attendre que la musique de démarrage soit jouée, indiquant que le DEEBOT a été mis sous tension.



2 Appuyez brièvement sur  pour rappeler le DEEBOT et accéder à la station pour charger.




Remarque : Une fois que le DEEBOT est entré dans la station, attendez environ 5 secondes et vous entendrez le message vocal « Appairage réussi ».

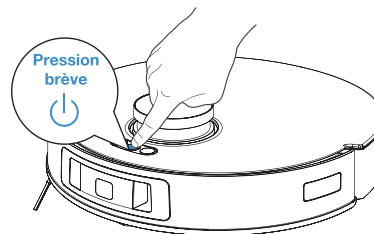
UTILISER LE DEEBOT

DEEBOT créera une carte lors du premier nettoyage. Lors de la création d'une carte pour la première fois, suivre les instructions du DEEBOT pour éliminer certains problèmes mineurs.

Par exemple, le DEEBOT peut se coincer sous les meubles. Se reporter aux instructions suivantes :

1. Si possible, soulever les meubles bas ;
2. Couvrir le bas du meuble ;
3. Configurer la limite virtuelle via l'application.

Appuyez brièvement sur  pour démarrer. Lors du premier nettoyage, s'assurer que le DEEBOT est complètement chargé.



Remarque : Lorsque le DEEBOT ne nettoie pas, il est recommandé de le laisser sous tension et en charge.

SPÉCIFICATIONS TECHNIQUES

Modèle	DDX11		
Courant nominal d'entrée	20V === 2A	Temps de charge	Environ 6,5 h
Modèle de station	CH2311		
Courant nominal d'entrée	220-240V ~ 50-60Hz	Courant de sortie nominal	20V === 2A
Courant nominal d'entrée (chargement)	0,5 A.	Alimentation (vidage)	1000W
Puissance (patin de lavage à l'eau chaude)	1650W		
Puissance en veille réseau	Moins de 2,00W		

La puissance de sortie du module sans fil est inférieure à 100 mW.

Remarque : Ces spécifications techniques peuvent être modifiées à des fins d'amélioration continue.

Découvrez d'autres accessoires sur <https://www.ecovacs.com/global>.



Scanner le code QR pour plus d'informations.

ISTRUZIONI IMPORTANTI DI SICUREZZA

ISTRUZIONI IMPORTANTI DI SICUREZZA

Quando si usa un elettrodomestico, è necessario seguire delle precauzioni di base, tra cui:

LEGGERE TUTTE LE ISTRUZIONI PRIMA DI UTILIZZARE L'APPARECCHIO CONSERVARE QUESTE ISTRUZIONI

1. Questo apparecchio può essere usato da bambini di almeno 8 anni e da persone con capacità fisiche, sensoriali o mentali ridotte o da persone che non ne conoscano il corretto utilizzo purché supervisionate o formate sull'uso sicuro dell'apparecchio e in grado di comprenderne gli eventuali rischi correlati. I bambini non devono giocare con l'apparecchio. La pulizia e la manutenzione non devono essere effettuate da bambini non supervisionati.
2. Sgombrare l'area da pulire. Togliere dal pavimento cavi di alimentazione e piccoli oggetti che potrebbero intralciare l'apparecchio. Piegare le frange dei tappeti sotto agli stessi e sollevare

- dal pavimento oggetti come tende e tovaglie.
3. In caso di possibilità di caduta nell'area da pulire, ad esempio a causa di scalini, è necessario impostare l'apparecchio in modo che possa rilevare i gradini senza cadere. Potrebbe essere necessario posizionare delle barriere fisiche sul bordo per evitare la caduta del robot. Assicurarsi che la barriera fisica non rappresenti un rischio di inciampo per le persone.
4. Utilizzare l'apparecchio solo come descritto nel presente manuale. Utilizzare solo accessori consigliati o venduti dal produttore.
5. SOLO per uso domestico INTERNO. Non utilizzare l'apparecchio in esterni o in ambienti commerciali o industriali.
6. Non utilizzare senza aver installato la vaschetta raccogli polvere e i filtri.
7. Non utilizzare l'apparecchio in un'area con candele accese o oggetti fragili.
8. Tenere capelli, vestiti, dita e qualsiasi parte del corpo lontano dalle aperture e dalle parti mobili dell'apparecchio.
9. Non utilizzare l'apparecchio in una stanza in cui sta dormendo un neonato o un bambino.
10. Non utilizzare l'apparecchio su superfici bagnate o con acqua stagnante.
11. Non consentire all'apparecchio di raccogliere oggetti grandi come pietre, grossi pezzi di carta

- o oggetti che potrebbero ostruirlo.
12. Non utilizzare l'apparecchio per raccogliere materiali infiammabili o combustibili come benzina, toner per stampanti o fotocopiatrici, né utilizzarlo in aree dove questi potrebbero essere presenti.
 13. Non utilizzare l'apparecchio per raccogliere materiali incandescenti o che emettono fumo, come sigarette, fiammiferi, cenere ardente, o qualsiasi cosa che potrebbe provocare un incendio.
 14. Non infilare oggetti nella presa di aspirazione. Non utilizzare l'apparecchio se la presa di aspirazione è ostruita. Mantenere la presa libera da polvere, garze, capelli o qualsiasi cosa che potrebbe ridurre il flusso d'aria.
 15. In caso di danneggiamento del cavo di alimentazione, sarà necessario sostituirlo presso il produttore o tramite il servizio clienti per evitare rischi.
 16. Posizionare su OFF il tasto di accensione prima di pulire o effettuare operazioni di manutenzione sull'apparecchio.
 17. La batteria al litio adatta a CH2311 è di max. 8 celle, tensione nominale max. CC 14,4 V, capacità nominale 4.800 mAh. È necessario rimuovere e smaltire la batteria secondo le leggi e le normative vigenti, prima dello smaltimento dell'apparecchio.
 18. Smaltire le batterie usate secondo le leggi e le normative vigenti.
 19. Non incenerire l'apparecchio anche nel caso in cui sia molto danneggiato. Le batterie potrebbero esplodere e provocare un incendio.
 20. Utilizzare l'apparecchio secondo le indicazioni fornite nel presente Manuale d'istruzioni. Ecovacs Home Service Robotics non potrà essere ritenuta responsabile di eventuali danni o infortuni causati da un utilizzo inappropriato.
 21. Il robot contiene batterie sostituibili solo da persone competenti. Per sostituire la batteria del robot, contattare l'assistenza clienti.
 22. Assicurarsi che il voltaggio della fonte di alimentazione corrisponda a quello indicato sulla stazione OMNI.
 23. Utilizzare solo le batterie ricaricabili originali e la stazione OMNI del produttore in dotazione con l'apparecchio. Non è consentito l'utilizzo di batterie non ricaricabili.
 24. Fare attenzione a non danneggiare il cavo di alimentazione. Non tirare o trascinare l'apparecchio o la stazione OMNI dal cavo di alimentazione, non utilizzare il cavo di alimentazione come maniglia, non chiudere il cavo di alimentazione in una porta e non strusciare il cavo di alimentazione su bordi o spigoli affilati. Non far passare l'apparecchio sopra il cavo di alimentazione. Tenere il cavo di

- alimentazione lontano da superfici calde.
25. Non utilizzare la stazione OMNI, se danneggiata. Non provare a riparare l'alimentatore e non utilizzarlo in caso di danni o malfunzionamenti.
 26. Non utilizzare l'apparecchio con prese o cavi di alimentazione danneggiati. Non utilizzare l'apparecchio o la stazione OMNI se non funzionano correttamente, in caso di caduta, se sono stati lasciati all'esterno o se sono venuti a contatto con acqua. In questi casi, sarà necessaria la riparazione da parte del produttore o tramite il servizio clienti per evitare rischi.
 27. È necessario rimuovere la spina dalla presa di corrente prima di pulire o effettuare operazioni di manutenzione sulla stazione OMNI.
 28. Rimuovere l'apparecchio dalla stazione OMNI e posizionare su OFF il tasto di accensione prima di rimuovere la batteria per lo smaltimento dell'apparecchio.
 29. Scollegare la stazione OMNI dalla presa di corrente in caso di mancato utilizzo prolungato.
 30. Se il robot non viene utilizzato per lungo tempo, spegnerlo per conservarlo e scollegare la stazione OMNI.
 31. **AVVERTENZA:** aggiungere acqua pulita solo nel serbatoio pulito.
 32. **AVVERTENZA:** per ricaricare la batteria, utilizzare solo l'unità di alimentazione rimovibile CH2311 fornita con l'apparecchio.

Per soddisfare i requisiti in materia di esposizione RF, è consigliabile mantenere una distanza di almeno 20 cm tra il dispositivo e le persone durante il funzionamento dell'apparecchio.

Per garantire la conformità, non è consigliato il funzionamento a distanze ravvicinate. L'antenna utilizzata per questo trasmettitore non deve essere impiegata in combinazione con altre antenne o trasmettitori.

Aggiornamento del dispositivo

In genere, alcuni dispositivi vengono aggiornati ogni due mesi, ma l'intervallo non è sempre così specifico.

Alcuni dispositivi, soprattutto quelli in vendita più di tre anni fa, verranno aggiornati solo se viene individuata e corretta una vulnerabilità critica.

	Attenzione: superficie calda
	Trasformatore isolante di sicurezza anti cortocircuito
	Alimentatore a commutazione
	Solo per uso in interni
	Corrente continua
	Corrente alternata
	Questo prodotto è conforme alle direttive CE applicabili.
	Prima di ricaricare, leggere le istruzioni.
	Polarità della porta di ricarica
	Fusibile miniaturizzato a tempo ritardato

La sorveglianza a distanza è destinata all'uso privato assoluto di luoghi non pubblici e privati ai soli fini di auto-protezione e controllo individuale. In caso di utilizzo, tenere presente gli obblighi legali locali basati sulla protezione dei dati. Non è consentita alcuna sorveglianza di luoghi pubblici, in particolare con intento clandestino e/o da parte del datore di lavoro senza giustificabili ragioni. Tale uso non giustificato è a rischio e responsabilità dell'utente.

Dichiarazione di conformità dell'Unione europea Informazioni per gli utenti sullo smaltimento dei rifiuti di apparecchiature elettriche ed elettroniche



Questo simbolo sul prodotto o sulla sua confezione indica che i prodotti elettrici ed elettronici utilizzati non devono essere smaltiti insieme ai rifiuti urbani indifferenziati. Per un corretto trattamento, è responsabilità dell'utente smaltire i rifiuti di queste apparecchiature organizzando la restituzione ai punti di raccolta designati.

Lo smaltimento corretto di questo prodotto consentirà di risparmiare risorse preziose e prevenire potenziali effetti negativi sulla salute umana e sull'ambiente, che potrebbero altrimenti scaturire da una gestione inadeguata dei rifiuti. Per restituire il dispositivo usato, utilizzare i sistemi di restituzione e raccolta o contattare gratuitamente il rivenditore presso il quale è stato acquistato il prodotto; contattare l'autorità locale per ulteriori dettagli sul punto di raccolta più vicino.

In caso di smaltimento non corretto di tali rifiuti, la legislazione nazionale vigente prevede l'applicazione di sanzioni.

Informazioni per gli utenti sullo smaltimento delle batterie usate



Questo simbolo indica che le batterie e gli accumulatori, al termine del loro ciclo di vita, non devono essere smaltiti insieme ai rifiuti urbani indifferenziati. La partecipazione dell'utente è una parte importante dell'impegno volto a ridurre al minimo l'impatto delle batterie e degli accumulatori sull'ambiente e sulla salute. Per un corretto riciclaggio, è possibile restituire gratuitamente questo prodotto, le batterie o gli accumulatori al proprio fornitore o a un punto di raccolta designato.

Lo smaltimento corretto di questo prodotto consentirà di risparmiare risorse preziose e prevenire potenziali effetti negativi sulla salute umana e sull'ambiente, che potrebbero altrimenti scaturire da una gestione inadeguata dei rifiuti.

In caso di smaltimento non corretto di tali rifiuti, la legislazione nazionale vigente prevede l'applicazione di sanzioni.

Esistono sistemi di raccolta separati per batterie e accumulatori usati.

Smaltire correttamente le batterie e gli accumulatori presso il centro di raccolta/riciclaggio dei rifiuti locale.

Direttiva sulla restrizione dell'uso di determinate sostanze pericolose (RoHS)

Ecovacs Home Service Robotics Co., Ltd. dichiara che l'intero prodotto, inclusi i componenti (cavi, fili e così via), soddisfa i requisiti della direttiva RoHS 2011/65/UE e Direttiva delegata (UE) 2015/863 della Commissione recante modifica sulla restrizione dell'uso di determinate sostanze pericolose nelle apparecchiature elettriche ed elettroniche ("riformulazione RoHS" o "RoHS 2.0").

Direttiva sulle apparecchiature radio

Ecovacs Home Service Robotics Co., Ltd. dichiara che il prodotto elencato in questa sezione è conforme ai requisiti essenziali e ad altre disposizioni correlate della Direttiva 2014/53/UE sulle apparecchiature radio.

Rappresentante autorizzato per l'Europa:

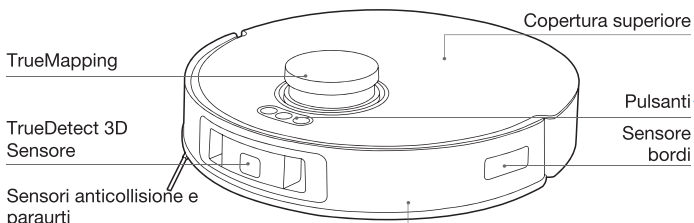


ECOVACS Europe GmbH
Holzstrasse 2 | D-40221 Düsseldorf | Germania

Ecovacs Home Service Robotics Co., Ltd. dichiara che il prodotto è conforme ai requisiti essenziali e ad altre disposizioni correlate della Direttiva RoHS 2011/65/UE e Direttiva delegata (UE) 2015/863 della Commissione recante modifica, della Direttiva 2014/53/UE sulle apparecchiature radio. La dichiarazione di conformità può essere consultata al seguente indirizzo: <https://www.ecovacs.com/global/compliance>.

DISEGNO DEL PRODOTTO

Robot

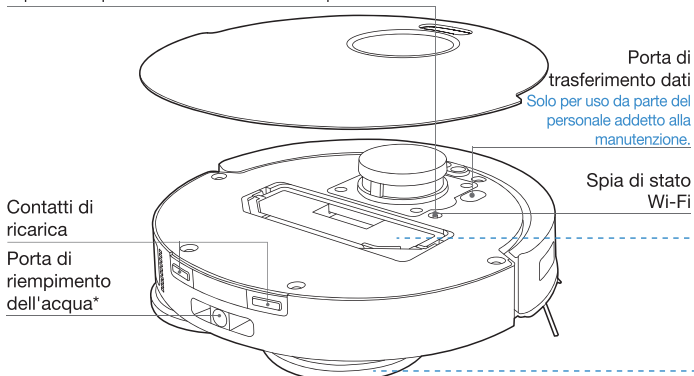


Pulsanti

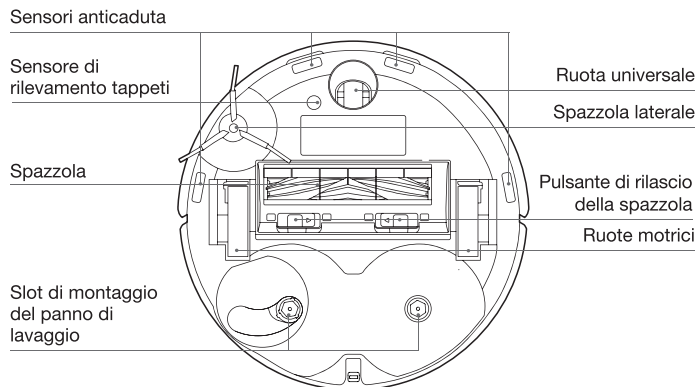
- | | | |
|--|--|---|
| | Premere brevemente: Uscita/Ritorno alla Stazione | Pressione lunga: Autopulizia |
| | Premere brevemente: Avvio/Pausa/Continua | Pressione lunga: Accensione/Spengimento |
| | Premere brevemente: Inizio/Fine Pulizia circoscritta | Pressione lunga: Chiusura bambini |

Tasto RESET

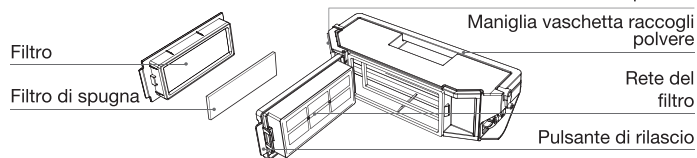
Ripristino delle impostazioni predefinite: tenere premuto il tasto RESET per 5 secondi. Dopo l'emissione di un messaggio vocale, seguirà un segnale acustico di avvio e le impostazioni predefinite del robot verranno ripristinate.



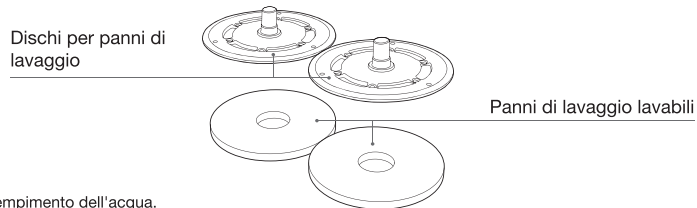
Vista inferiore



Vaschetta raccogli polvere



Composizione panno di lavaggio



* A causa delle diverse configurazioni dei prodotti, potrebbero essere presenti modelli privi di porta di riempimento dell'acqua.

Stazione OMNI

Nota:

* Se la striscia luminosa lampeggia in rosso, controllare la causa nell'app ECOVACS HOME.

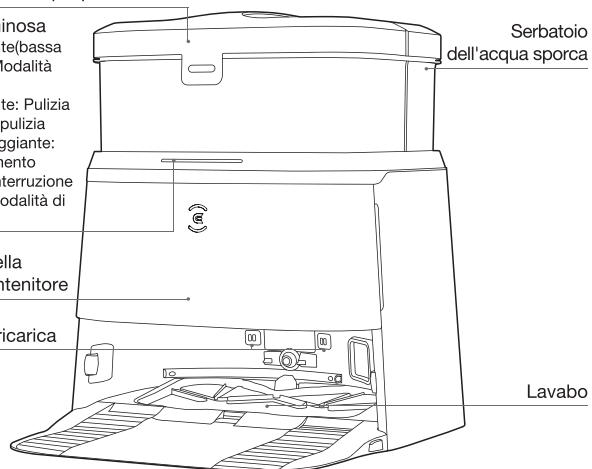
* Se DEEBOT non si ricarica, pulire i contatti di ricarica con un panno pulito e asciutto.

Serbatoio dell'acqua pulita

Striscia luminosa
Bianco brillante(bassa
luminosità): Modalità
standby
Bianco brillante: Pulizia
in corso/Autopulizia
Rosso lampeggiante:
Malfunzionamento
Disattivato: Interruzione
di corrente/modalità di
sospensione

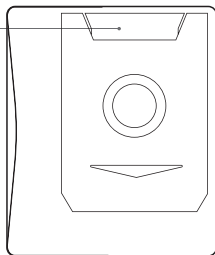
Raccolta della
polvere Contenitore

Contatti di ricarica

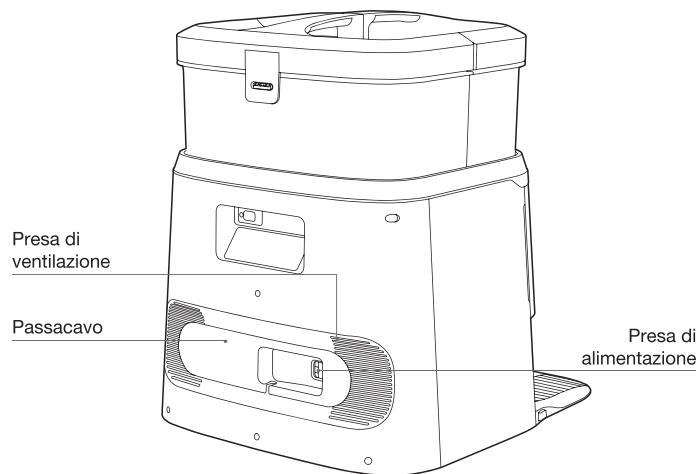


Sacchetto della polvere

Maniglia per sacchetto
della polvere



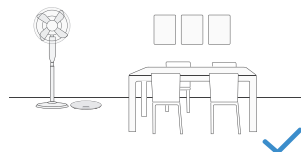
Stazione OMNI (parte posteriore)



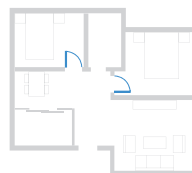
SENSORI

Nome	Descrizione della funzione
TrueMapping	Utilizzando il principio della triangolazione, che prevede l'emissione e la ricezione di raggi laser riflessi dagli oggetti circostanti, attraverso gli algoritmi è possibile calcolare con precisione le informazioni di misurazione della distanza tra il DEEBOT e gli oggetti vicini. Quando il DEEBOT si sposta all'interno di un determinato ambiente, le posizioni degli oggetti circostanti vengono determinate per creare una mappa spaziale dell'ambiente circostante. L'intervallo di misurazione è 8 metri.
Sensore TrueDetect 3D	Il sensore a luce strutturata 3D TrueDetect esegue la scansione dell'oggetto con un laser lineare e acquisisce le immagini con una fotocamera monoculare, quindi genera le coordinate tridimensionali dell'oggetto attraverso algoritmi di immagine per identificare le dimensioni dell'oggetto. La distanza di rilevamento è di 0,35 m
Sensore anticaduta	Con la misurazione a infrarossi che rileva la distanza tra la parte inferiore di DEEBOT e la massa tramite il sensore a infrarossi in basso, il DEEBOT non si sposta in avanti quando vi sono scale davanti o la distanza identificata supera quella preimpostata (sistema anti-caduta). La distanza di attivazione è di 60 mm
Sensore di rilevamento tappeti	La differenza di energia del segnale eco a ultrasuoni su diverse superfici viene utilizzata per identificare il materiale del pavimento e aiutare DEEBOT a regolare automaticamente la strategia di pulizia. Frequenza di azionamento 290 kHz
Sensore bordi	Con i raggi infrarossi, il robot rileva la distanza tra se stesso e gli oggetti su un lato. In presenza di una parete o di un ostacolo sul lato destro, il robot esegue operazioni di pulizia dei bordi per evitare di perdere punti o collisioni.
Sensore anticollisione	Quando il segnale trasmesso è bloccato da un ostacolo, il ricevitore del segnale non sarà in grado di ricevere il segnale. In base a questo principio, DEEBOT eviterà gli ostacoli in rotta di collisione.

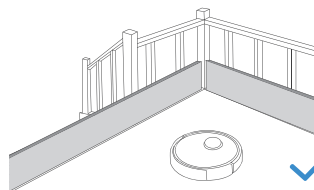
NOTE PRIMA DELLA PULIZIA



Mettere gli arredi, come le sedie, al loro posto prima di pulire la zona desiderata.



Durante il primo utilizzo, accertarsi che tutte le porte della stanza siano aperte per consentire a DEEBOT di esplorare tutta l'abitazione.



Potrebbe essere necessario posizionare alcune barriere sul bordo del dislivello per evitare la caduta del robot.



Per migliorare l'efficienza della pulizia, rimuovere dal pavimento oggetti quali cavi, panni, ciabatte eccetera.



Ripiegare i bordi dei tappeti con nappe prima di utilizzare il prodotto in loro prossimità.



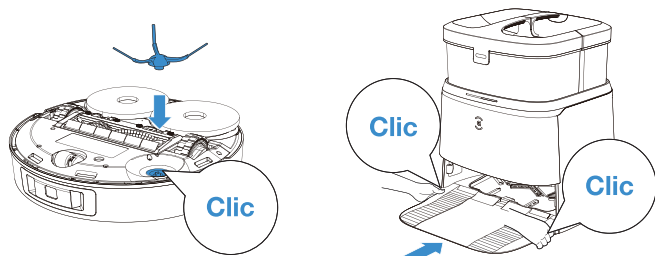
Non sostare in spazi ristretti, ad esempio i corridoi, e assicurarsi che il sensore di distanza TrueMapping non sia bloccato.

AVVIO RAPIDO

Prima di utilizzare DEEBOT, rimuovere tutti i materiali di protezione.

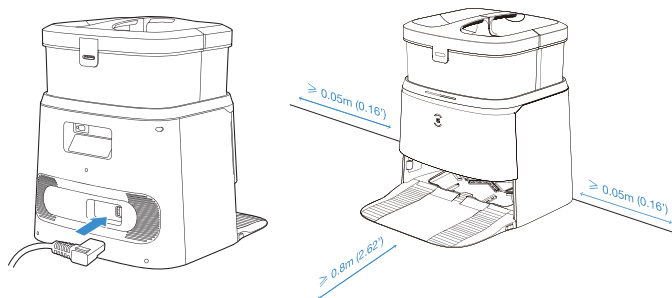
1 Installazione

Il suono di un clic indica la corretta installazione.



2 Montare e posizionare la Stazione

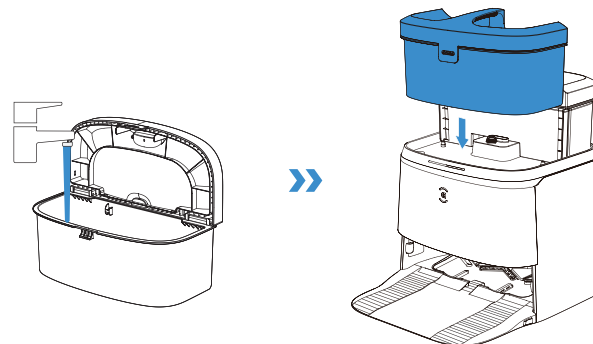
Tenere l'area intorno alla stazione libera da oggetti, soprattutto quelli con superfici riflettenti.



Nota:

- Se sono presenti oggetti riflettenti come specchi e battiscopa vicino alla stazione, questi dovrebbero essere coperti per 14 cm a partire dal basso.
- Non esporre la stazione alla luce diretta del sole.
- Posizionare la stazione su un pavimento duro per utilizzare tutte le funzioni del robot.
- Posizionare la stazione in un luogo con un forte segnale Wi-Fi.

Utilizzare i serbatoi



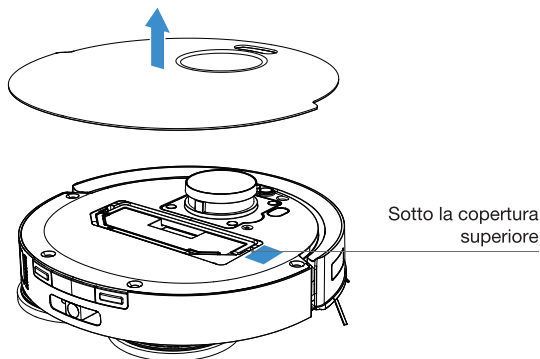
Nota:

- * Si consiglia di utilizzare la soluzione di lavaggio ECOVACS DEEBOT (venduta separatamente). L'uso di un'altra soluzione detergente può causare lo slittamento di DEEBOT, il blocco del serbatoio dell'acqua e altri problemi.
- * Dopo il test di funzionamento, potrebbero rimanere alcune gocce d'acqua nel serbatoio dell'acqua. L'utilizzo del prodotto è sicuro.

SCARICARE L'APP ECOVACS HOME

Per sfruttare tutte le funzioni disponibili, si consiglia di controllare DEEBOT tramite l'app ECOVACS HOME.

1. Eseguire la scansione del codice QR sotto la copertura superiore per scaricare l'applicazione.





2. Cercare ECOVACS HOME per scaricare l'app.



CONNETTERE DEEBOT ALL'APP

1. Tramite Bluetooth:

Attivare DEEBOT e il Bluetooth del telefono cellulare. Consentire all'applicazione di ottenere l'autorizzazione Bluetooth del telefono cellulare. Toccare  per eseguire la scansione del codice QR su DEEBOT o toccare  nell'app per trovare DEEBOT nelle vicinanze.

2. Tramite Wi-Fi:


È possibile connettere DEEBOT all'applicazione tramite Wi-Fi ignorando il Bluetooth nell'applicazione.

Nota: Selezionare il metodo di connessione appropriato.

Requisiti della rete Wi-Fi:

- Si sta utilizzando una rete mista a 2,4 GHz o 2,4/5 GHz.
- Il router supporta i protocolli 802.11b/g/n e IPv4.
- Non utilizzare una VPN (Virtual Private Network) o un server proxy.
- Non utilizzare una rete nascosta.
- WPA e WPA2 utilizzano la crittografia TKIP, PSK, AES/CCMP.
- WEP EAP (Enterprise Authentication Protocol) non è supportato.
- Utilizzare i canali Wi-Fi 1-11 in Nord America e i canali 1-13 al di fuori del Nord America (fare riferimento all'agenzia di regolamentazione locale).
- Se si utilizza un extender/ripetitore di rete, il nome di rete (SSID) e la password corrispondono alla rete primaria.
- Attivare WPA2 sul router.

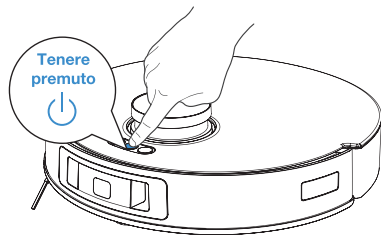
Spia Wi-Fi

	La spia bianca lampeggia lentamente	Connessione in corso
	La luce bianca lampeggia velocemente	Disconnesso dalla rete Wi-Fi
	Luce blu fissa	Connesso alla rete Wi-Fi

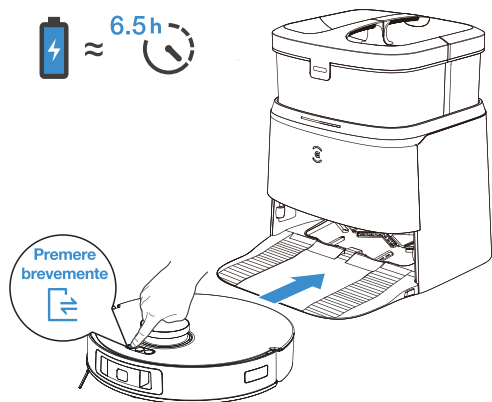
Tenere presente che la realizzazione di funzioni intelligenti come l'avvio remoto, l'interazione vocale, le impostazioni di visualizzazione e controllo delle mappe 2D/3D e la pulizia personalizzata (a seconda dei diversi prodotti) richiede agli utenti di scaricare e utilizzare l'app ECOVACS HOME, che viene costantemente aggiornata. L'utente deve accettare la nostra Informativa sulla privacy e il nostro Contratto per l'utente prima di poter elaborare alcune delle informazioni necessarie e di base e consentire l'utilizzo del prodotto. Se non accetta la nostra Informativa sulla privacy e il nostro Contratto per l'utente, alcune delle suddette funzioni intelligenti non possono essere realizzate tramite l'app ECOVACS HOME, ma è comunque possibile utilizzare le funzioni di base di questo prodotto per il funzionamento manuale.

Accendere e ricaricare DEEBOT

1 Tenere premuto  per 3 secondi, attendere la riproduzione della musica di avvio, a indicare che DEEBOT si è acceso.



2 Premere brevemente  per richiamare DEEBOT e accedere alla stazione per la ricarica.




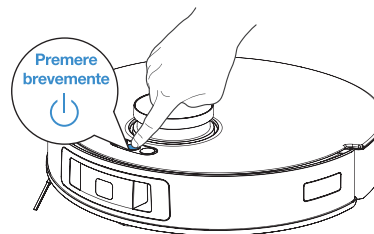
Nota: Una volta che DEEBOT entra nella stazione, attendere circa 5 secondi per ascoltare il messaggio vocale "Associazione riuscita".

FUNZIONAMENTO DI DEEBOT

Il DEEBOT creerà una mappa durante la prima pulizia. Quando si crea una mappa per la prima volta, seguire DEEBOT per assisterlo in caso di problemi. Ad esempio, DEEBOT potrebbe rimanere incastrato sotto i mobili. Fare riferimento alle seguenti soluzioni:

1. Sollevare i mobili bassi, se possibile;
2. Coprire la parte inferiore dei mobili;
3. Impostare le barriere virtuali tramite l'app.

Premere brevemente  per iniziare. Per la prima pulizia, assicurarsi che DEEBOT sia completamente carico.



Nota: Quando DEEBOT non sta pulendo, è consigliabile tenerlo acceso e in carica.

SPECIFICHE TECNICHE

Modello	DDX11		
Ingresso nominale	20 V === 2 A	Tempo di ricarica	Circa 6,5 ore
Modello stazione	CH2311		
Ingresso nominale	220 - 240 V ~ 50 - 60 Hz	Uscita nominale	20 V === 2 A
Corrente in ingresso nominale (ricarica)	0,5 A.	Potenza (svuotamento)	1000 W
Potenza (mop per lavaggio in acqua calda)	1650 W		
Standby rete	Meno di 2 W		

La potenza di uscita del modulo wireless è inferiore a 100 mW.

Nota: le specifiche tecniche e di progettazione potrebbero variare a seguito dei miglioramenti continui sul prodotto.

Altri accessori su <https://www.ecovacs.com/global>.



**Eeguire la scansione del
codice QR per ulteriori
informazioni.**

VIKTIGA SÄKERHETSINSTRUKTIONER

VIKTIGA SÄKERHETSINSTRUKTIONER

Vid användning av en elektrisk apparat ska grundläggande försiktighetsåtgärder alltid följas, däribland följande:

LÄS ALLA INSTRUKTIONER INNAN DU ANVÄNDER APPARATEN SPARA DESSA INSTRUKTIONER

1. Den här apparaten kan användas av barn från 8 år och personer med nedsatt fysisk, sensorisk eller mental förmåga eller som saknar erfarenhet och kunskap om de hålls under uppsikt eller har fått anvisningar om hur apparaten används på ett säkert sätt och förstår de risker som föreligger. Barn får inte leka med apparaten. Rengöring och användarunderhåll får inte utföras av barn utan tillsyn.
2. Rensa det område som ska rengöras. Ta bort strömsladdar och små föremål från golvet som apparaten kan trassla in sig i. Stoppa in mattlugg under mattan och lyft upp föremål som gardiner och dukar från golvet.
3. Om det t.ex. finns ett steg eller en trappa i rengöringsområdet ska du manövrera apparaten för att se till att den kan känna av avsatsen utan att falla över kanten. Du kan behöva placera en fysisk barriär vid kanten för att förhindra att enheten faller. Se till att den fysiska barriären inte utgör en snubbelrisk.
4. Använd endast på det sätt som beskrivs i den här handboken. Använd endast tillbehör som rekommenderas eller säljs av tillverkaren.
5. ENDAST för hushållsbruk INOMHUS. Använd inte apparaten utomhus eller i kommersiella eller industriella miljöer.
6. Använd inte utan dammbehållare eller filter på plats.
7. Använd inte apparaten i områden där det finns tända ljus eller ömtåliga föremål.
8. Håll hår, löst sittande kläder, fingrar och alla kroppsdelar borta från öppningar och rörliga delar.
9. Använd inte apparaten i ett rum där en bebis eller ett barn sover.
10. Använd inte apparaten på våta ytor eller ytor med vattensamlingar.
11. Låt inte apparaten plocka upp stora föremål

- som stenar, stora pappersbitar eller andra föremål som kan täppa igen apparaten.
12. Använd inte apparaten för att plocka upp brandfarliga eller brännbara material som bensin, toner till skrivare eller kopiator, och använd den inte i områden där sådana kan finnas.
 13. Använd inte apparaten för att plocka upp något som brinner eller ryker, t.ex. cigaretter, tändstickor, het aska eller annat som kan orsaka brand.
 14. Placera inte föremål i suginloppet. Använd inte om suginloppet är blockerat. Håll luftinloppet fritt från damm, ludd, hår eller annat som kan minska luftflödet.
 15. Om strömsladden skadas måste den bytas ut av tillverkaren eller dennes serviceombud för att undvika fara.
 16. Stäng AV strömbrytaren innan du rengör eller underhåller apparaten.
 17. Den typ av litiumbatterier som lämpar sig för CH2311 är max. 8 celler, max. nominell spänning 14,4 V likström, nominell kapacitet 4 800 mAh. Batteriet måste tas bort och kasseras enligt lokala lagar och bestämmelser innan apparaten kasseras.
 18. Kassera använda batterier i enlighet med lokala lagar och bestämmelser.
 19. Bränn inte apparaten även om den är allvarligt skadad. Batterierna kan explodera i en brand.
 20. Apparaten måste användas i enlighet med anvisningarna i denna bruksanvisning. Ecovacs Home Service Robotics kan inte hållas ansvariga för eventuella skador eller personskador som orsakas av felaktig användning.
 21. Roboten innehåller batterier som endast kan bytas ut av utbildade personer. Kontakta kundservice om du vill byta ut robotens batteri.
 22. Kontrollera att strömkällans spänning överensstämmer med den spänning som är markerad på OMNI-stationen.
 23. Använd endast det laddningsbara originalbatteriet och OMNI-stationen som medföljer apparaten från tillverkaren. Ej laddningsbara batterier är förbjudna.
 24. Var försiktig så att du inte skadar strömsladden. Dra inte i och bär inte apparaten eller OMNI-stationen i strömsladden, använd inte strömsladden som

handtag, stäng inte en dörr på strömsladden och dra inte strömsladden runt vassa kanter eller hörn. Kör inte apparaten över strömsladden. Håll strömsladden borta från varma ytor.

25. Använd inte OMNI-stationen om den är skadad. Strömförsörjningen får inte repareras och får inte användas längre om den är skadad eller defekt.
26. Använd inte med skadad strömsladd eller skadat uttag. Använd inte apparaten eller OMNI-stationen om den inte fungerar som den ska, om den har tappats, skadats, lämnats utomhus eller kommit i kontakt med vatten. Den måste repareras av tillverkaren eller dess serviceombud för att undvika fara.
27. Kontakten måste tas ut ur uttaget innan OMNI-stationen rengörs eller underhålls.
28. Ta bort apparaten från OMNI-stationen och stäng AV strömbrytaren på apparaten innan du tar bort batteriet för kassering av apparaten.
29. Koppla ur OMNI-stationen om den inte ska användas under en längre tid.

30. Om roboten inte ska användas under en längre tid stänger du AV den för förvaring och kopplar ur OMNI-stationen.

31. **WARNING:** Fyll endast på rent vatten i den rena tanken.

32. WARNING: Använd endast den löstagbara strömförsörjningsenhet CH2311 som medföljer apparaten för laddning av batteriet.

För att uppfylla kraven gällande RF-exponering ska ett avstånd på 20 cm eller mer upprätthållas mellan enheten och personer under användning av enheten.

För att säkerställa överensstämmelse rekommenderas inte användning närmare än detta avstånd. Den antenn som används till den här sändaren får inte placeras tillsammans med någon annan antenn eller sändare.

Enhetsuppdatering

Vanligtvis uppdateras vissa enheter varannan månad, men inte alltid så exakt.

Vissa enheter, särskilt de som såldes för mer än tre år sedan, uppdateras endast om en kritisk sårbarhet upptäcks och åtgärdas.

	Varning: Het yta
	Kortslutningssäker isoleringstransformator
	Strömbrytare för lägesval
	Endast för inomhusbruk
	Likström
	Växelström
	Denna produkt överensstämmer med gällande EG-direktiv.
	Läs anvisningarna innan laddning.
	Ladduttagets polaritet
	Miniatyrsmältsäkring med tidsfördröjning

Fjärrövervakning är endast avsedd för privat användning av icke-offentliga, privatägda platser för skydd och kontroll av enheten. Var medveten om lokala dataskyddsbaserade juridiska skyldigheter i händelse av användning. Ingen övervakning av offentliga platser, i synnerhet med dolda avsikter eller från arbetsgivarens sida utan motiverade skäl. Sådan omotiverad användning sker endast på användarens risk och ansvar.

Europeiska unionens överensstämmelseförklaring

Information om kassering av elektrisk och elektronisk utrustning



Denna symbol på produkten eller dess förpackning indikerar att använda elektriska och elektroniska produkter inte får blandas med osorterat kommunalt avfall. För korrekt hantering är det ditt ansvar att kassera din uttjänta utrustning genom att returnera den till därför avsedda insamlingsplatser.

Genom att kassera den här produkten på rätt sätt kan du spara värdefulla resurser och förhindra eventuella negativa effekter på människors hälsa och på miljön som annars kan uppstå på grund av felaktig avfallshantering.

Om du vill returnera den använda enheten använder du system för retur och insamling eller kontaktar återförsäljaren där produkten köptes (kostnadsfritt). Kontakta kommunen för mer information om närmaste insamlingsplats.

Straffavgifter kan tillämpas vid felaktig kassering av det här avfallet i enlighet med nationell lagstiftning.

Information om kassering av förbrukade batterier



Den här symbolen betyder att batterier och ackumulatörer, i slutet av deras livslängd, inte får blandas med osorterat hushållsavfall. Ditt deltagande är en viktig del av arbetet med att minimera påverkan av batterier och ackumulatörer på miljön och på människors hälsa. För korrekt återvinning kan du returnera produkten eller de batterier eller ackumulatörer som den innehåller till din leverantör eller till en angiven insamlingsplats, vilket är kostnadsfritt.

Genom att kassera den här produkten på rätt sätt kan du spara värdefulla resurser och förhindra eventuella negativa effekter på människors hälsa och på miljön som annars kan uppstå på grund av felaktig avfallshantering.

Straffavgifter kan tillämpas vid felaktig kassering av det här avfallet i enlighet med nationell lagstiftning. Det finns separata insamlingssystem för använda batterier och ackumulatörer.

Kassera batterierna och ackumulatörerna på rätt sätt på din lokala återvinningscentral.

Direktivet om begränsning av användning av vissa farliga ämnen i elektriska och elektroniska produkter (RoHS)

Ecovacs Home Service Robotics Co., Ltd. förklarar härmed att hela produkten, inklusive delar (kablar, sladdar osv.), uppfyller kraven i RoHS-direktivet 2011/65/EU och kommissionens delegerade ändringsdirektiv (EU) 2015/863 om begränsning av användning av vissa farliga ämnen i elektrisk och elektronisk utrustning ("omarbetning av RoHS" eller "RoHS 2.0").

Radioutrustningsdirektivet

Ecovacs Home Service Robotics Co., Ltd. försäkrar härmed att den produkt som anges i detta avsnitt uppfyller de grundläggande kraven och andra relevanta bestämmelser i direktiv 2014/53/EU om radioutrustning.

Auktoriserad representant i Europa:



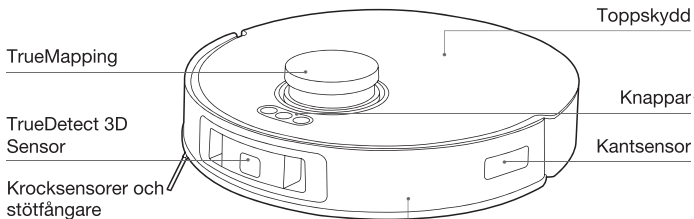
ECOVACS Europe GmbH
Holzstrasse 2 | D-40221 Düsseldorf | Tyskland

Ecovacs Home Service Robotics Co., Ltd. intygar att produkten uppfyller de grundläggande kraven och andra relevanta bestämmelser i RoHS-direktivet 2011/65/EU, det kommissionsdelegerade tilläggsdirektivet (EU) 2015/863 och radioutrustningsdirektivet 2014/53/EU.

Försäkran om överensstämmelse finns på följande adress: <https://www.ecovacs.com/global/compliance>.

PRODUKTDIAGRAM

Robot



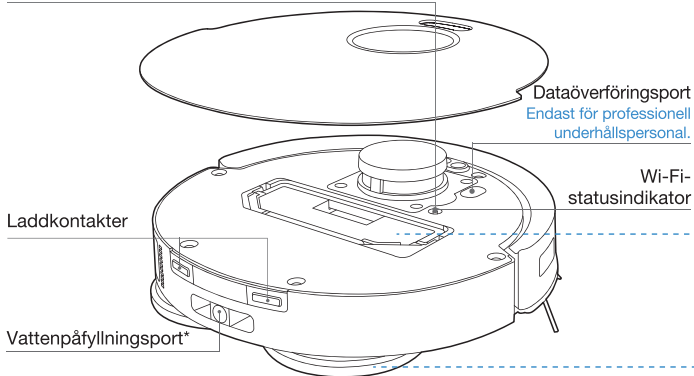
Knappar

- Kort tryckning: Avsluta/återgå till stationen Lång tryckning: Självrengöring
- Kort tryckning: Starta/pausa/fortsätt Lång tryckning: Ström på/ström av
- Kort tryckning: Starta/avsluta fläckläge Lång tryckning: Barnlås

Återställningsknapp

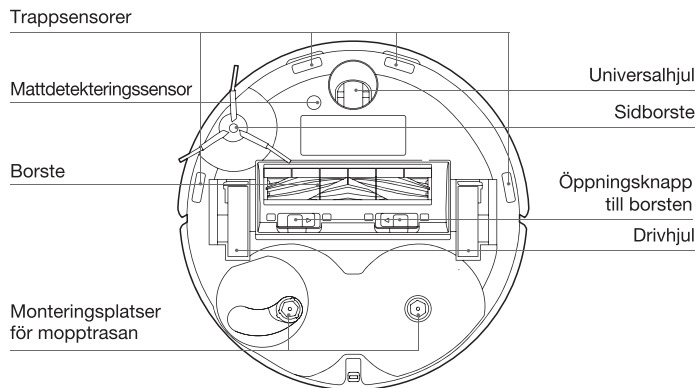
Återställ till standardinställningar: Tryck på och håll in den röda återställningsknappen i fem sekunder.

När du hör röstmeddelandet spelas startmusiken och roboten återställs till standardinställningarna.

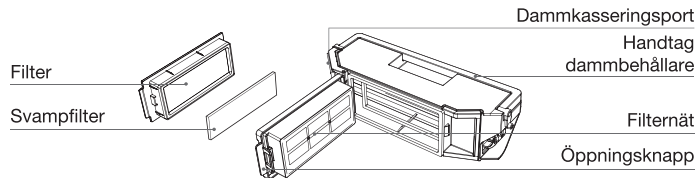


* På grund av olika produktkonfigurationer kan det finnas modeller utan vattenpåfyllningsport.

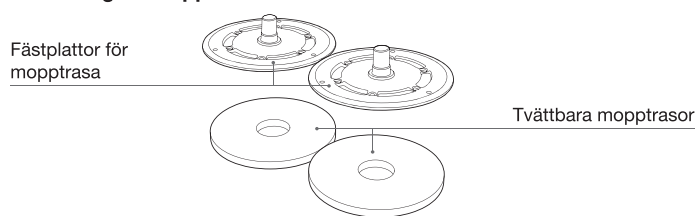
Vy nerifrån



Dammbehållare



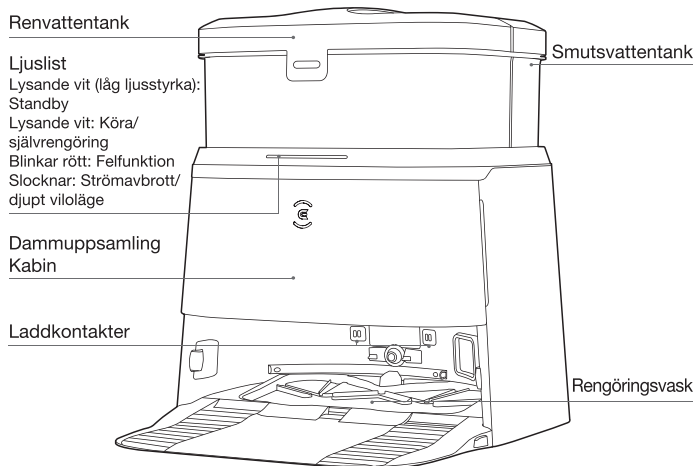
Montering av mopptrasa



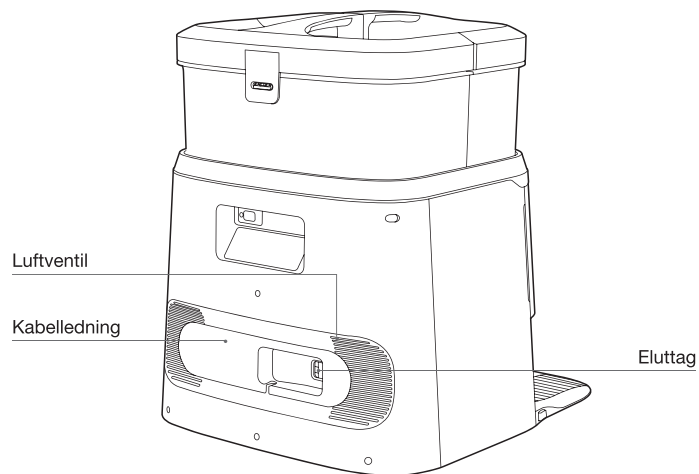
OMNI-station

Obs!

- * Om ljuslisten blinkar rött ska du kontrollera orsaken i ECOVACS HOME-appen.
- * Om DEEBOT inte laddas ska du torka av laddkontaktarna med en ren och torr trasa.

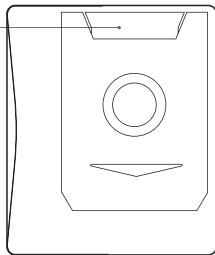


OMNI-station (baksida)



Damppåse

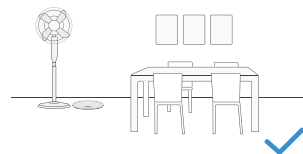
Handtag till dammbehållare



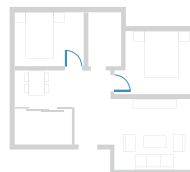
SENSORER

Namn	Funktionsbeskrivning
TrueMapping	Genom att använda principen för triangulering, som innefattar att sända och ta emot laserstrålar som reflekteras av omgivande objekt, kan exakt avståndsmätning information mellan DEEBOT och närliggande objekt beräknas genom algoritmer. När DEEBOT rör sig inom en viss miljö fastställs positionerna för omgivande objekt för att skapa en spatial karta över DEEBOT:s omgivning. Mätområdet är 8 meter.
TrueDetect 3D-sensor	Den TrueDetect 3D-strukturerade ljussensorn skannar objektet med en linjelaser och samlar in bilder med en monokulär kamera. Sedan genererar den de tredimensionella koordinaterna för objektet genom bildalgoritmer för att identifiera objektets storlek. Mätavståndet är 0,35 m
Trappsensor	IR-avståndsmätning används till att mäta avståndet mellan undersidan av DEEBOT och golvet med hjälp av en IR-sensor på undersidan. DEEBOT rör sig inte framåt när det finns trappor framför den eller om det identifierade avståndet överskrider det förinställda och förhindrar fall. Utlösningsavståndet är 60 mm.
Mattdetekteringssensor	Energiskillnaden i ultraljudsekosignalen på olika ytor används för att identifiera golvmaterialet och för att hjälpa DEEBOT att justera rengöringsstrategin automatiskt. Drivfrekvens 290 kHz.
Kantsensor	Med hjälp av IR-mätprincipen upptäcker roboten avståndet mellan sig själv och föremål på sidan. När det finns en vägg eller ett hinder på höger sida utför roboten kantrengöring för att undvika missade fläckar och kollisioner.
Krocksensor	När den överförda signalen blockeras av ett hinder kan inte signalmottagaren ta emot signalen. Med denna princip undviker DEEBOT hinder vid krock med dem.

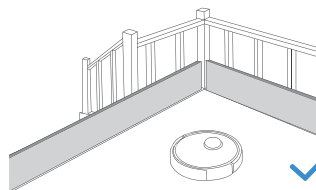
ANMÄRKNINGAR FÖRE RENGÖRING



Städa upp området som ska rengöras genom att placera möbler, t.ex. stolar, på rätt plats.



Under första användningen ska du se till att varje rumsdörr är öppen för att hjälpa DEEBOT att utforska hela huset.



Du kan behöva placera en fysisk barriär vid kanten till ett trappsteg för att förhindra att enheten faller över kanten.



Plocka undan föremål som kablar, trasor och tofflor osv. på golvet för att förbättra rengöringseffektiviteten.



Innan du använder produkten på en matta med tofskanter ska du vika in mattans kanter under mattan.



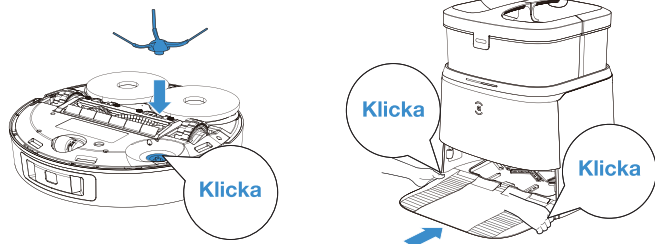
Stå inte i trånga utrymmen, som korridorer, och se till att inte blockera TrueMapping-avståndssensorn.

SNABBSTART

Ta bort allt skyddsmaterial innan du använder DEEBOT.

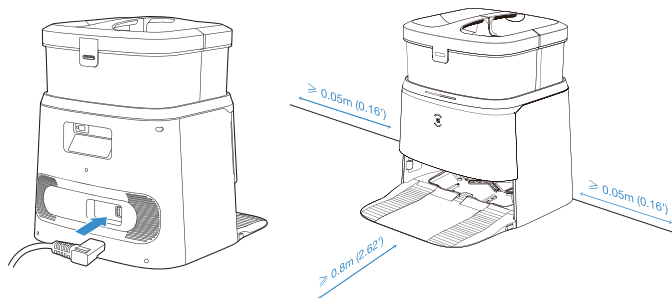
1 Installation

Ett klickljud indikerar korrekt installation.



2 Montera och placera stationen

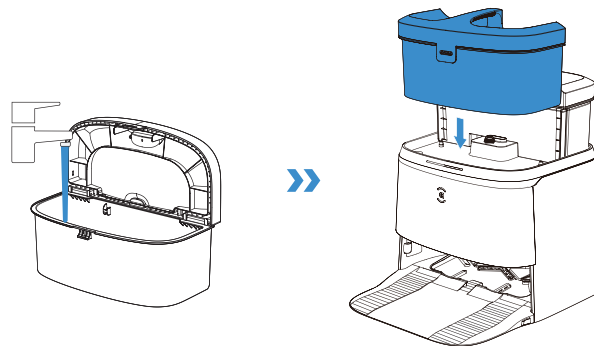
Håll området runt stationen fritt från föremål, särskilt föremål med reflekterande ytor.



Obs!

- Om det finns reflekterande föremål, som speglar och reflekterande golvlister, nära stationen ska de nedre 14 cm av dessa täckas.
- Placera inte stationen i direkt solljus.
- Vi rekommenderar att du placerar stationen på hårt golv för att roboten ska fungera som den ska.
- Placera stationen på en plats med stark Wi-Fi-signal.

Använda tankar



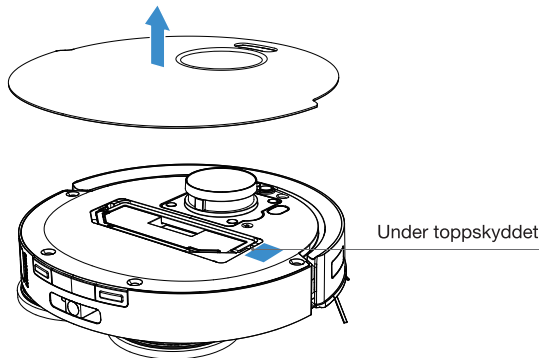
Obs!

- * Vi rekommenderar att du använder ECOVACS DEEBOT-rengöringslösning (säljs separat). Användning av annan rengöringslösning kan göra att DEEBOT halkar, att vattentanken blockeras och orsaka andra problem.
- * Vattendropparna i vattentanken är de som blivit över från funktionstestet. Detta är normalt.

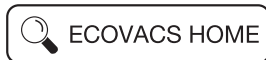
HÄMTA ECOVACS HOME-APPEN

För att få tillgång till alla tillgängliga funktioner rekommenderar vi att du styr din DEEBOT via ECOVACS HOME-appen.

1. Skanna QR-koden under toppskyddet för att hämta appen.




2. Sök på ECOVACS HOME för att hämta appen.



ANSLUT DEEBOT MED APPEN

1. Via Bluetooth:

Slå på DEEBOT och mobiltelefonens Bluetooth. Ge appen tillåtelse att nå mobilens Bluetooth. Tryck på  för att skanna QR-koden på DEEBOT eller tryck på  i appen för att hitta en DEEBOT i närheten.

2. Via Wi-Fi:


Du kan ansluta DEEBOT med appen via Wi-Fi genom att ignorera Bluetooth i appen.

Obs! Välj lämplig anslutningsmetod.

Wi-Fi-nätverkskrav:

- Du har ett nätverk på 2,4 GHz eller ett blandat 2,4/5 GHz.
- Routern har stöd för protokollen 802.11b/g/n och IPv4.
- Du använder inte VPN (Virtual Private Network) eller proxyserver.
- Du använder inte ett dolt nätverk.
- WPA och WPA2 med TKIP-, PSK-, AES/CCMP-kryptering.
- WEP EAP (Enterprise Authentication Protocol) stöds inte.
- Du använder Wi-Fi-kanalerna 1–11 i Nordamerika och kanalerna 1–13 utanför Nordamerika (se lokal tillsynsmyndighet).
- Om du använder en nätverksextensor/-repeater är nätverksnamnet (SSID) och lösenordet samma som ditt primära nätverk.
- Aktivera WPA2 på routern.

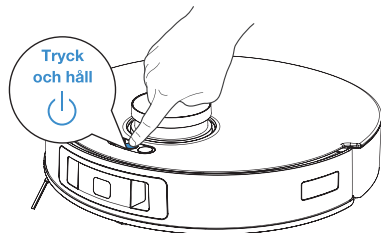
Indikatorlampa för Wi-Fi

	Vitt ljus blinkar långsamt	Ansluter
	Vitt ljus blinkar snabbt	Frånkopplad från Wi-Fi
	Fast blått sken	Ansluten till Wi-Fi

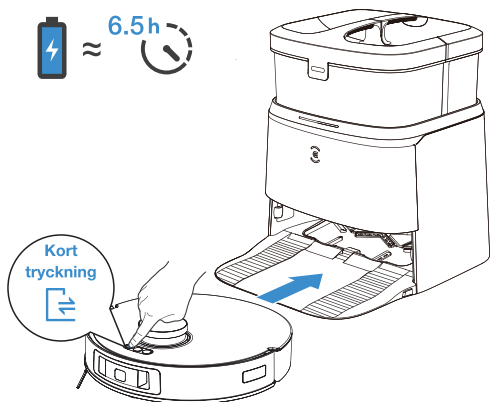
Tänk på att verkställande av intelligenta funktioner som fjärrstart, röstinteraktion, 2D/3D-kartvisning och kontrollinställningar samt och anpassad rengöring (beroende på produkt) kräver att användare hämtar och använder ECOVACS HOME-appen, som ständigt uppdateras. Du måste godkänna vår sekretesspolicy och vårt användaravtal innan vi kan behandla några av dina grundläggande och nödvändiga uppgifter och göra det möjligt för dig att använda produkten. Om du inte godkänner vår sekretesspolicy och vårt användaravtal kan vissa av de tidigare nämnda intelligenta funktionerna inte utföras via ECOVACS HOME-appen, men du kan fortfarande använda produktens basfunktioner för manuell drift.

Slå PÅ och ladda DEEBOT

1 Tryck och håll ned  i 3 sekunder, vänta tills startmusiken börjar spela, vilket indikerar att DEEBOT har startat.



2 Kort tryckning på  för att återkalla DEEBOT så att den åker till stationen för att ladda.




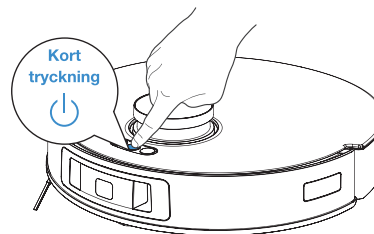
Obs! När DEEBOT ansluter till stationen hör du röstmeddelandet "Pairing Successful" (parkoppling slutförd) efter cirka fem sekunder.

ANVÄNDA DEEBOT

DEEBOT skapar en karta under den första rengöringen. När DEEBOT skapar en karta för första gången bör du följa efter den för att åtgärda mindre problem. DEEBOT kan t.ex. fastna under möblerna. Se följande lösningar:

1. Höj om möjligt de låga sittmöblerna.
2. Täck och blockera möblernas undersida.
3. Konfigurera virtuell gräns via appen.

Kort tryckning  för att starta. Se till att DEEBOT är fulladdad vid första rengöringen.



Obs! När DEEBOT inte arbetar rekommenderar vi att den är påslagen och laddas.

TEKNISKA SPECIFIKATIONER

Modell	DDX11		
Ineffekt	20 V === 2 A	Laddningstid	ungefär 6,5 tim.
Stationsmodell	CH2311		
Ineffekt	220–240 V ~ 50–60 Hz	Uteffekt	20V === 2A
Ingångsström (laddning)	0,5 A	Ström (tömning)	1 000 W
Ström (mopp för varmvattentvätt)	1650W		
Nätverksansluten standbyström	Mindre än 2,00 W		

Den trådlösa modulens uteffekt är lägre än 100 mW.

Obs! Tekniska specifikationer och konstruktionsspecifikationer kan ändras för kontinuerlig produktförbättring.

Utforska fler tillbehör på <https://www.ecovacs.com/global>.



**Skanna QR-koden för
mer information.**

VIKTIGE SIKKERHETSINSTRUKSJONER

VIKTIGE SIKKERHETSINSTRUKSJONER

Når du bruker et elektrisk produkt, må du alltid følge grunnleggende forholdsregler, inkludert følgende:

LES ALLE INSTRUKSJONENE FØR DU BRUKER DETTE PRODUKTET TA VARE PÅ DISSE INSTRUKSJONENE

1. Dette produktet kan brukes av barn over 8 år og av personer med nedsatt sanseevne eller fysisk eller psykisk funksjonsevne, eller personer med manglende erfaring eller kunnskap, dersom de får tilsyn eller instruksjoner om bruk av produktet på en sikker måte, og de forstår risikoen. Barn skal ikke leke med produktet. Rengjøring og vedlikehold skal ikke utføres av barn uten tilsyn.
2. Rengjør området som skal rengjøres. Fjern strømledninger og små gjenstander som kan vikle seg inn i produktet fra gulvet. Brett teppets frynser under teppet, og løft gjenstander som gardiner og duker opp fra gulvet.
3. Dersom området som skal rengjøres har trinn eller trapper, må du betjene produktet selv, slik at det oppdager trinnene uten å falle ned. Det kan være nødvendig å plassere en fysisk barriere ved kanten for å hindre at enheten faller ned. Pass på at den fysiske barrieren ikke utgjør en fare for å snuble.
4. Må bare brukes som beskrevet i denne bruksanvisningen. Bruk bare tilbehør som anbefales eller selges av produsenten.
5. BARE til INNENDØRS bruk i husholdning. Ikke bruk produktet utendørs, i kommersielle miljøer eller industrielle miljøer.
6. Må ikke brukes uten støvbeholder eller filter.
7. Produktet må ikke brukes på steder med tente stearinlys eller skjøre gjenstander.
8. Hold hår, løstsittende klær, fingre og kroppsdeler unna åpninger og bevegelige deler.
9. Ikke bruk produktet i rom der barn sover.
10. Ikke bruk produktet på våte overflater eller overflater med stillestående vann.
11. Sørg for at produktet ikke plukker opp store gjenstander, for eksempel steiner, store papirbiter eller andre gjenstander som kan tilstoppe produktet.

12. Ikke bruk produktet til å plukke opp brennbare materialer som bensin, blekk til skrivere eller kopimaskiner, og ikke bruk produktet på steder der det kan finnes slike gjenstander.
13. Ikke bruk produktet til å plukke opp noen ting som brenner eller avgir røyk, for eksempel sigaretter, fyrstikker, varm aske eller ting som kan forårsake brann.
14. Ikke stikk gjenstander inn i innsuget. Må ikke brukes hvis inntaket er blokkert. Hold inntaket fritt for støv, lo, hår og andre ting som kan redusere luftstrømmen.
15. Hvis strømledningen er skadet, må den skiftes av produsenten eller produsentens serviceverksted, slik at du unngår farlige situasjoner.
16. Slå av produktet før du rengjør eller vedlikeholder det.
17. Litium-batterier som passer til CH2311, er maks. 8 celler, har maks. 14,4 V nominell likestrømsspenning og en oppgitt kapasitet på 4800 mAh. Batteriet må fjernes og kasseres i henhold til lokale lover og forskrifter før produktet kasseres.
18. Kast brukte batterier i henhold til lokale lover og forskrifter.
19. Produktet må ikke brennes, selv om det har alvorlige skader. Batteriene kan eksplodere ved brann.
20. Produktet må brukes i henhold til instruksjonene i denne brukerveiledningen. Ecovacs Home Service Robotics kan ikke holdes ansvarlig for skader eller personskader som skyldes feil bruk.
21. Roboten inneholder batterier som bare kan skiftes av kvalifiserte personer. Ta kontakt med kundeservice om bytte av robotens batteri.
22. Kontroller at nettspenningen er den samme som spenningen oppgitt på OMNI-stasjonen.
23. Bruk bare det originale oppladbare batteriet og OMNI-stasjonen som medfølger produktet fra produsenten. Engangsbatterier må ikke brukes.
24. Vær forsiktig så du ikke skader strømledningen. Ikke dra i strømledningen eller bær produktet eller OMNI-stasjonen etter strømledningen, og ikke bruk strømledningen som håndtak, klem strømledningen når du lukker en dør, eller dra strømledningen rundt skarpe kanter eller hjørner. Ikke legg produktet oppå strømledningen. Hold strømledningen unna varme overflater.

25. OMNI-stasjonen må ikke brukes hvis den har skader. Strømforsyningen må ikke repareres eller brukes hvis den har skader eller er defekt.
26. Må ikke brukes med skadet strømledning eller stikkontakt. Produktet og OMNI-stasjonen må ikke brukes hvis de ikke fungerer som de skal, har falt i gulvet, er skadet, har stått utendørs eller vært i kontakt med vann. Det må repareres av produsenten eller deres serviceverksted for å unngå fare.
27. Støpselet må tas ut av stikkontakten før rengjøring eller vedlikehold av OMNI-stasjonen.
28. Fjern produktet fra OMNI-stasjonen, og slå av produktet før du tar ut batteriet når produktet skal kasseres.
29. Koble fra OMNI-stasjonen hvis den skal stå i lengre perioder uten å brukes.
30. Hvis roboten ikke skal brukes i en lengre periode, må du slå av roboten før oppbevaring og trekke ut ledningen til OMNI-stasjonen.
31. **ADVARSEL:** Tilsett kun rent vann på tanken med rent vann.
- 32. ADVARSEL:** Bruk bare den avtakbare strømforsyningen CH2311 som medfulgte produktet til lading av batteriet.








For å oppfylle kravene til eksponering for radiofrekvent stråling skal det være en avstand på 20 cm eller mer mellom denne enheten og personer når enheten er i bruk.

For å sikre samsvar anbefales det ikke å være nærmere enn dette. Antennen som brukes til denne senderen, må ikke plasseres sammen med andre antenner eller sendere.

Oppdatering av enheten

Enkelte enheter oppdateres vanligvis annenhver måned, men ikke alltid på dagen.

Noen enheter, spesielt enheter solgt for mer enn tre år siden, oppdateres bare hvis det en kritisk sårbarhet oppdages og løses.

	Forsiktig: Varm overflate
	Kortslutningssikker omformer med skillebryter
	Strømforsyning med brytermodus
	Kun til innendørs bruk
	Likestrøm
	Vekselstrøm
	Dette produktet oppfyller kravene i gjeldende EU-direktiver.
	Les instruksjonene før lading.
	Ladeportens polaritet
	Miniatyrsikring med tidsforsinkelse

Fjernovervåkingen er for helt privat bruk ved ikke-offentlige, privateide steder, og bare for tiltenkt sikkerhet og ettpunkts kontroll. Vær oppmerksom på lokale krav om databeskyttelse ved bruk. Overvåking av offentlige steder, hemmelig overvåking eller arbeidsgiveres overvåking uten berettigede grunner er ikke tillatt. Bruk uten berettigede grunner skjer for brukerens egen risiko og under brukerens ansvar alene.

EU-samsvarserklæring

Informasjon om avhending for brukere av elektrisk og elektronisk avfall



Dette symbolet på produktet eller emballasjen betyr at brukte elektriske og elektroniske produkter ikke skal blandes med usortert kommunalt avfall. For riktig behandling er det ditt ansvar at avfallet returneres til godkjente mottakssteder.

Riktig avhending av dette produktet bidrar til å spare verdifulle ressurser og forhindrer helse- og miljøskader, noe som kan oppstå ved feil avfallshåndtering.

Hvis du vil returnere en brukt enhet, må du bruke riktig avfallsmottak eller kontakte forhandleren der du kjøpte produktet, som er gratis. Kontakt dine lokale myndigheter for mer informasjon om ditt nærmeste avfallsmottak.

Feil avhending av dette produktet kan medføre bøter, avhengig av din nasjonale lovgivning.

Informasjon om avhending for brukere av brukte batterier



Dette symbolet betyr at batterier ikke må blandes med usortert husholdningsavfall etter endt levetid. Ditt bidrag er en viktig del av arbeidet med å minimere miljø- og helseskader fra batterier. For riktig gjenvinning kan du returnere produktet eller batteriene til leverandøren eller til et godkjent avfallsmottak, som er gratis.

Riktig avhending av dette produktet bidrar til å spare verdifulle ressurser og forhindrer helse- og miljøskader, noe som kan oppstå ved feil avfallshåndtering.

Feil avhending av dette produktet kan medføre bøter, avhengig av din nasjonale lovgivning. det finnes egne avfallsmottak for brukte batterier. Avhend batterier til ditt lokale avfallsmottak.

RoHS-direktivet om begrensning av visse farlige stoffer

Ecovacs Home Service Robotics Co., Ltd. erklærer herved at hele produktet, inkludert delene (kabler, ledninger osv.) oppfyller kravene i RoHS-direktiv 2011/65/EU og kommisjonens delegerede direktiv (EU) 2015/863 om begrensning av bruk av visse farlige stoffer i elektrisk og elektronisk utstyr («RoHS recast» eller «RoHS 2.0»).

Radioutstyrsdirektivet

Ecovacs Home Service Robotics Co., Ltd. erklærer herved at produktet beskrevet i dette avsnittet samsvarer med hovedkravene og andre relevante bestemmelser i direktiv 2014/53/EU om radioutstyr.

Autorisert representant i Europa:



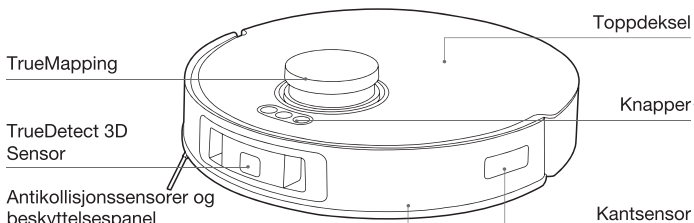
ECOVACS Europe GmbH
Holzstrasse 2 | D-40221 Düsseldorf | Tyskland

Ecovacs Home Service Robotics Co., Ltd. erklærer herved at produktet samsvarer med de grunnleggende kravene og andre relevante bestemmelser i RoHS-direktivet 2011/65/EU og kommisjonens delegerede direktiv (EU) 2015/863 med endringer, og direktiv 2014/53/EU om radioutstyr.

Samsvarserklæringen kan vises på følgende adresse: <https://www.ecovacs.com/global/compliance>.

PRODUKTDIAGRAM

Robot

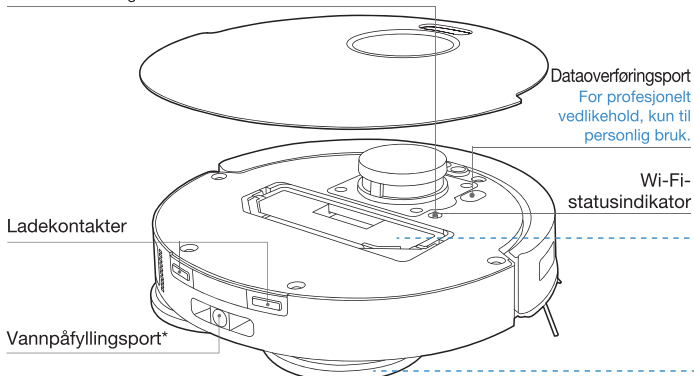


Knapper

- Kort trykk: Avslutt/Gå tilbake til stasjonen Hold inne: Selvrensing
- Kort trykk: Start/Pause/Fortsett Hold inne: Slå av/på
- Kort trykk: Start/avslutt punktvis rengjøring Hold inne: Barnesikring

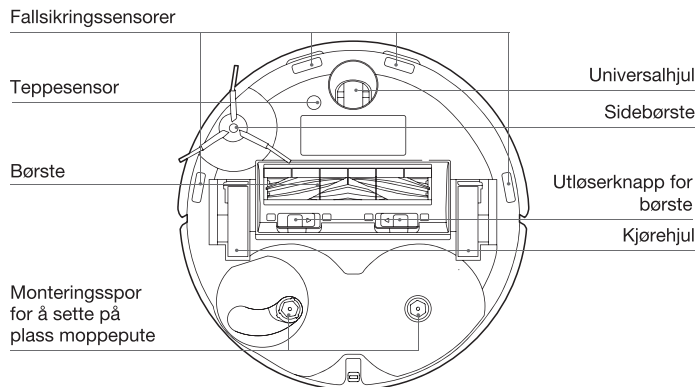
RESET-knapp

Gjenopprett til fabrikkinnstillinger: Trykk på og hold inne TILBAKESTILLINGSKNAPPEN i 5 sekunder. Etter at du hører talemeldingen, spilles oppstartsmusikken, og roboten gjenopprettes til standardinnstillingene.

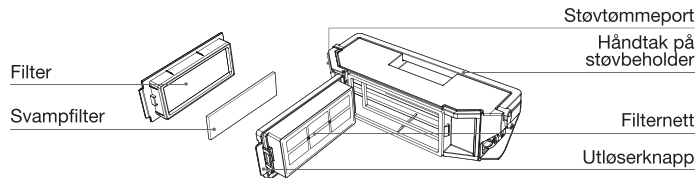


* På grunn av forskjellige produktkonfigurasjoner finnes det noen modeller uten en vannpåfyllingsport.

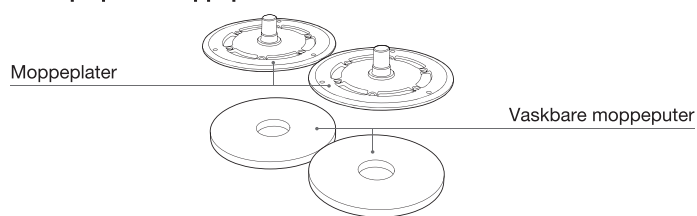
Sett nedenfra



Støvbeholder



Sette på plass moppepute



OMNI-stasjon

Merk:

* Hvis lysstripen blinker rødt, må du kontrollere årsaken i ECOVACS HOME-appen.

* Hvis DEEBOT ikke lader, må du tørke av ladekontaktene med en ren og tørr klut.

Tank med rent vann

Lysstrimmel

Glødende hvit (lav

lysstyrke): Standby

Glødende hvit: Kjører/

selvrensing

Blinkende rødt: Feil

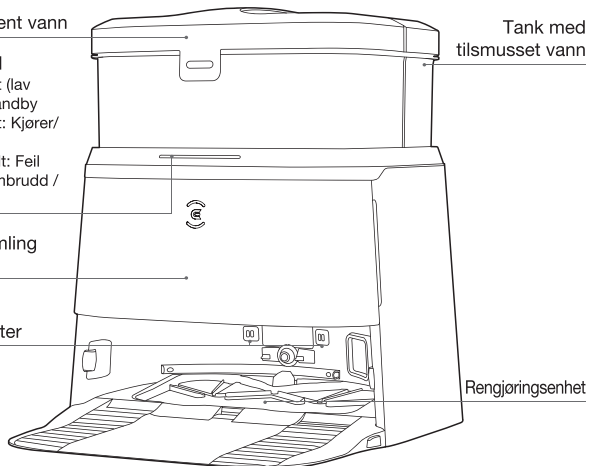
Slås av: Strømbrudd /

dvalemodus

Støvopsamling

Rom

Ladekontakter

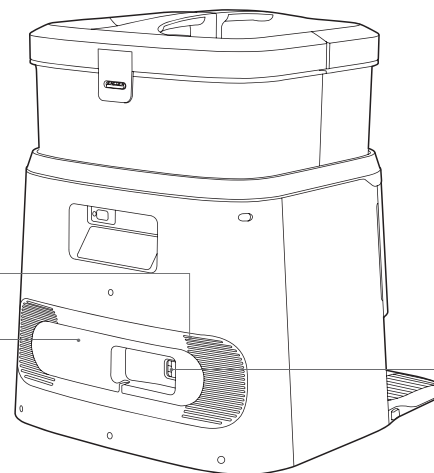


OMNI-stasjon (bak)

Luftutløp

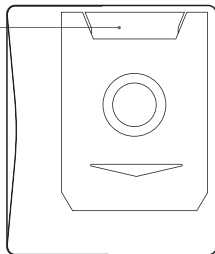
Kabelføring

Stikkontakt



Støvpose

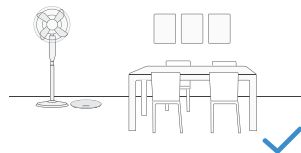
Støvposehåndtak



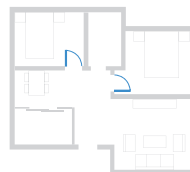
SENSORER

Navn	Funksjonsbeskrivelse
TrueMapping	Ved å benytte trianguleringsprinsippet, som innebærer å avgi og motta laserstråler som reflekteres av omkringliggende objekter, kan nøyaktig avstandsmålingsinformasjon mellom DEEBOT og nærliggende objekter beregnes gjennom algoritmer. Når DEEBOT beveger seg innenfor et bestemt miljø, bestemmes posisjonene til omkringliggende objekter for å lage et romkart over DEEBOTS omgivelser. Måleområdet er 8 meter.
TrueDetect 3D-sensor	Den strukturerte lyssensoren til TrueDetect 3D skanner objektet med en linjelaser og samler opp bilder med et monokulært kamera, og genererer de tredimensjonale koordinatene til objektet gjennom bildealgoritmer for å identifisere størrelsen på objektet. Avstandsmålingen er 0,35 m
Fallsikringssensor	Den infrarøde sensorens måling av avstanden mellom undersiden av DEEBOT og bakken sørger for at DEEBOT ikke fortsetter fremover hvis den har en trapp foran seg eller den identifiserte avstanden er høyere enn forhåndsinnstillingen, og fallsikringen aktiveres. Utløseravstanden er 60 mm.
Teppe sensor	Forskjellen i energi fra ultralydsignalet på ulike overflater brukes til å identifisere gulvmaterialet og hjelpe DEEBOT til å justere rengjøringsstrategien automatisk. Kjørefrekvens 290 kHz.
Kantsensor	Ved prinsippet om infrarød rekkevidde, oppdager roboten avstanden mellom seg selv og objekter som står ved siden av den. Hvis det er en vegg eller hindring på høyre side, utfører roboten kantrengjøring for å unngå kollisjoner og ikke gå glipp av flekker.
Kollisjonssensor	Når signalet som sendes blokkeres av en hindring, vil ikke mottakeren motta signalet. Dette prinsippet gjør at DEEBOT ikke kolliderer med hindringer.

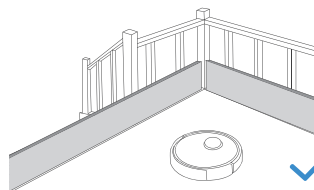
MERKNADER FØR RENGJØRING



Rydd området som skal rengjøres ved å flytte møbler, f.eks. stoler, til riktig sted.



Første gang DEEBOT brukes, må du sørge for at dørene til alle rommene er åpne, slik at den kan utforske hele huset.



Det kan være nødvendig å lage en fysisk barriere ved trapper og lignende, slik at ikke enheten faller ned.



Legg vekk gjenstander, inkludert ledninger, kluter, tøfler osv. som ligger på gulvet, slik at den kan rengjøre effektivt.



Før du bruker roboten på et teppe med frynsede kanter, må du brette frynsene inn under kantene av tappend.



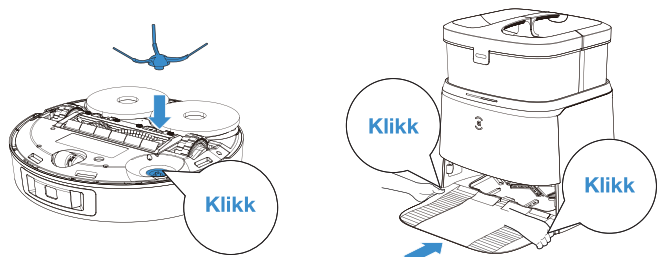
Ikke stå i veien på trange steder, f.eks. i ganger, og pass på så du ikke sperrer for avstandssensoren.

HURTIGSTART

Fjern alt beskyttelsesmateriale før du bruker DEEBOT.

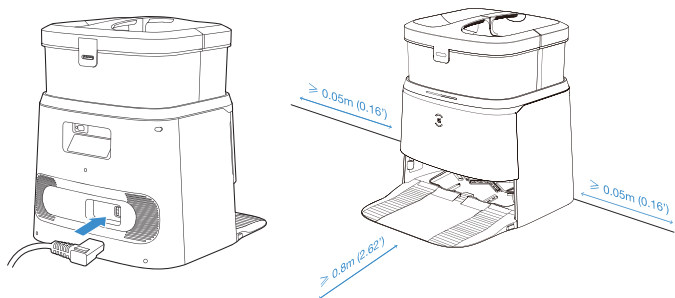
1 Installering

En klikkelyd indikerer riktig installasjon.



2 Sett sammen og plasser stasjonen

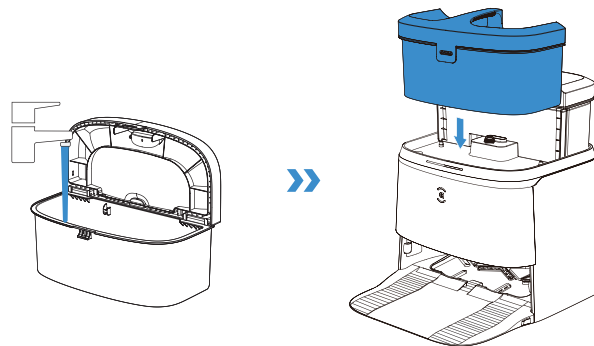
Sorg for at området rundt stasjonen er fritt for gjenstander, spesielt gjenstander med reflekterende overflate.



Merk:

- Hvis det er reflekterende gjenstander som speil og reflekterende lister i nærheten av stasjonen, må de nederste 14 cm tildekkes.
- Stasjonen må ikke stå i direkte sollys.
- For at roboten skal fungere optimalt, anbefales det at stasjonen står på hardt gulv.
- Plasser stasjonen på et sted med et sterkt wifisignal.

Bruk tankene



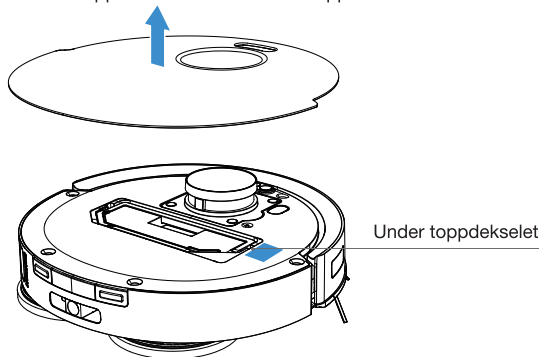
Merk:

- * Det anbefales å bruke ECOVACS DEEBOT Cleaning Solution (selges separat). Bruk av andre typer rengjøringsmiddel kan føre til at DEEBOT sklier, tilstopping av vanntanken og andre problemer.
- * Vannråpene i vanntanken er til overs fra funksjonstesten. Den er da klar til bruk.

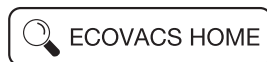
LAST NED ECOVACS HOME-APPEN

For å få tilgang til alle tilgjengelige funksjoner anbefaler vi at du bruker ECOVACS HOME-appen til å kontrollere DEEBOT.

1. Skann QR-koden under toppdekslet for å laste ned appen.



2. Søk på hjemmesiden til ECOVACS for å laste ned appen.



KOBLE DEEBOT TIL APPEN

1. Via Bluetooth:

Slå på Bluetooth på DEEBOT og mobiltelefonen. Gi appen på mobiltelefonen tillatelse til å bruke Bluetooth. Trykk på  for å skanne QR-koden på DEEBOT, eller trykk på  i appen for å finne DEEBOT i nærheten.

2. Via wifi:


Du kan koble DEEBOT til appen via wifi ved å slå av Bluetooth i appen.

Merk: Velg riktig tilkoblingsmetode.

Krav til wifinettverk:

- Du bruker et kombinert nettverk på 2,4 GHz eller 2,4/5 GHz.
- Ruterens støtter 802.11b/g/n og IPv4-protokoll.
- Ikke bruk VPN (Virtual Private Network) eller proxy-server.
- Ikke bruk et skjult nettverk.
- WPA og WPA2 med TKIP-, PSK-, AES/CCMP-kryptering.
- WEP EAP (Enterprise Authentication Protocol) støttes ikke.
- Bruk wifikanalene 1-11 i Nord-Amerika og kanalene 1-13 utenfor Nord-Amerika (se lokale standarder).
- Hvis du bruker en rekkeviddeforlenger for nettverket, er nettverksnavnet (SSID) og passordet det samme som for primærnettverket.
- Slå på WPA2 på ruterens.

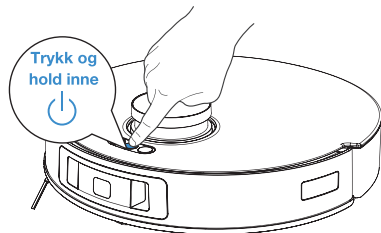
Wifiindikatorlampe

	Hvitt lys blinker sakte	Kobler til
	Hvitt lys blinker raskt	Koblet fra wifi
	Kontinuerlig blått lys	Koblet til wifi

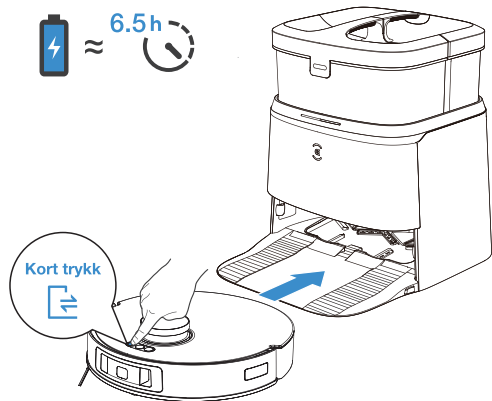
Vær oppmerksom på at intelligente funksjoner som ekstern oppstart, stemmestyring, 2D/3D-kartvisning, kontrollinnstillinger og personlig rengjøring (avhengig av ulike produkter) krever at brukerne laster ned og bruker ECOVACS HOME-appen, som oppdateres kontinuerlig. Du må godta personvernerklæringen og brukeravtalen før vi kan behandle noen av de grunnleggende og nødvendige opplysningene dine, slik at du kan bruke produktet. Hvis du ikke godtar personvernerklæringen og brukeravtalen, vil enkelte av de ovennevnte intelligente funksjonene ikke fungere i ECOVACS HOME-appen, men du kan fortsatt bruke de grunnleggende funksjonene i dette produktet for manuell betjening.

Slå på og lad DEEBOT

1 Trykk og hold inne  i 3 sekunder, vent til oppstartsmusikken spilles av, noe som indikerer at DEEBOT er slått på.



2 Trykk kort på  for å tilbakekalle DEEBOT til stasjonen for lading.




Merk: Når DEEBOT har gått inn i stasjonen, venter du i omtrent 5 sekunder, så vil du høre talemelding om at parkobling var vellykket.

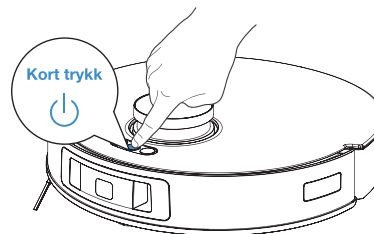
BETJENING AV DEEBOT

DEEBOT vil opprette et kart under førstegangsrengjøringen. Når du oppretter et kart for første gang, kan det være lurt å følge etter DEEBOT for å hjelpe til med å løse mindre problemer.

For eksempel kan DEEBOT bli sittende fast under møbler. Se på følgende løsninger:

1. Løft de lave møblene hvis mulig;
2. Dekk til bunnen av møblene;
3. Konfigurer virtuell grense via appen.

Trykk kort på  for å starte. For førstegangsrengjøringen må du sørge for at DEEBOT er fulladet.



Merk: Det anbefales å ha DEEBOT slått på og til lading når den ikke er i bruk.

TEKNISKE SPESIFIKASJONER

Modell	DDX11		
Nominell inngang	20 V === 2 A	Ladetid	Ca. 6,5 t
Stasjonsmodell	CH2311		
Nominell inngang	220–240 V ~ 50–60 Hz	Nominell utgang	20V === 2A
Nominell inngangsstrøm (lading)	0,5 A	Effekt (tømming)	1000 W
Effekt (mopp med varmt vann)	1650W		
Nettverkstilkoblet standby-effekt	Mindre enn 2,00 W		

Utgangseffekten til den trådløse modulen er mindre enn 100 mW.

Merk: Tekniske spesifikasjoner og design kan endres fortløpende for å forbedre produktet.

Du finner mer tilbehør på <https://www.ecovacs.com/global>.



Skann QR-koden for å
få mer informasjon.

VIGTIGE SIKKERHEDSANVISNINGER

VIGTIGE SIKKERHEDSANVISNINGER

Når du bruger et elektrisk apparat, skal du altid følge de grundlæggende sikkerhedsforanstaltninger, herunder:

LÆS ALLE ANVISNINGERNE, FØR DU BRUGER DETTE APPARAT GEM DISSE ANVISNINGER

1. Dette apparat kan bruges af børn fra 8 år og opefter samt af personer med nedsatte fysiske, sensoriske eller mentale evner eller manglende erfaring og viden, hvis de er blevet vejledt eller instrueret i sikker brug af apparatet og forstår de medfølgende risici. Børn må ikke lege med apparatet. Rengøring og vedligeholdelse af apparatet må ikke foretages af børn uden opsyn.
2. Ryd det område, der skal rengøres. Fjern elledninger og mindre genstande, der risikerer at blive viklet ind i apparatet, fra gulvet. Put eventuelle frynser ind under tæppets underside, og løft ting som gardiner og duge op fra gulvet.
3. Hvis der er en afsats i rengøringsområdet på grund af et trin eller trapper, skal du driftsindstille apparatet for at sikre, at det er i stand til at registrere trinnet uden at falde ud over kanten. Det kan være nødvendigt at anbringe en fysisk barriere ved kanten for at forhindre apparatet i at falde. Sørg for, at den fysiske barriere ikke udgør en snubelfare.
4. Må kun anvendes som beskrevet i denne vejledning. Brug udelukkende tilbehør, der anbefales eller sælges af fabrikanten.
5. KUN til INDENDØRSBRUG i husholdninger. Brug ikke apparatet udendørs eller i kommercielle eller industrielle miljøer.
6. Må ikke bruges uden at støvbeholder og/eller filtre er på plads.
7. Brug ikke apparatet i et område, hvor der er tændte stearinlys eller skrøbelige genstande.
8. Hold hår, løstsiddende tøj, fingre og alle kropsdele væk fra apparatets åbninger og bevægelige dele.
9. Brug ikke apparatet i et rum, hvor et spædbarn eller et barn sover.
10. Brug ikke apparatet på våde overflader eller overflader med stillestående vand.
11. Lad ikke apparatet opsamle store genstande som f.eks. sten, store stykker papir eller andre genstande, der kan tilstoppe apparatet.
12. Brug ikke apparatet til at opsamle brændbare

- eller antændelige materialer som f.eks. benzin, toner fra printer eller kopimaskine og brug det ikke i områder, hvor sådanne kan være til stede.
13. Brug ikke apparatet til at opsamle ting, der brænder eller ryger, f.eks. cigaretter, tændstikker, varm aske eller andet, der kan forårsage brand.
 14. Anbring ikke genstande i sugeindtaget. Må ikke anvendes, hvis sugeindtaget er blokeret. Hold indsugningen fri for støv, fnug, hår eller andet, der kan begrænse luftstrømmen.
 15. Hvis strømkablet bliver beskadiget, må den kun udskiftes af fabrikanten eller dennes serviceværksted for at undgå enhver risiko.
 16. Sluk for strømmen, før du rengør eller vedligeholder apparatet.
 17. Den type litiumbatteri, der egner sig til CH2311, er maks. 8 celler, maks. nominel spænding 14,4 V, nominel kapacitet 4.800 mAh. Batteriet skal tages ud af apparatet og bortskaffes i henhold til lokal lovgivning og lokale bestemmelser, før apparatet bortskaffes.
 18. Bortskaf brugte batterier i overensstemmelse med lokale love og bestemmelser.
 19. Apparatet må ikke sendes til forbrænding, heller ikke selv om det er alvorligt beskadiget.
- Batterierne kan eksplodere i ilden.
20. Apparatet skal bruges i overensstemmelse med instruktionerne i denne brugsanvisning. Ecovacs Home Service Robotics kan ikke holdes erstatningspligtig eller ansvarlig for eventuelle skader eller personskader forårsaget af forkert brug.
 21. Robotten indeholder batterier, der kun kan udskiftes af faglærte personer. Kontakt kundeservice for at få udskiftet robotens batteri.
 22. Sørg for, at strømforsyningskildens spænding svarer til den spænding, der er angivet på OMNI-stationen.
 23. Brug kun det originale genopladelige batteri og den OMNI-station, der fulgte med apparatet fra fabrikken. Det er forbudt at bruge ikke-genopladelige batterier.
 24. Pas på ikke at beskadige strømkablet. Undgå at trække i eller bære apparatet eller OMNI-stationen ved at holde i strømkablet, bruge strømkablet som håndtag, lukke døre på strømkablet eller trække i strømkablet rundt om skarpe kanter eller hjørner. Lad ikke apparatet køre hen over strømkablet. Hold strømkablet væk fra varme overflader.
 25. OMNI-stationen må ikke bruges, hvis den er

beskadiget. Strømforsyningen må ikke repareres og må ikke længere bruges, hvis den er beskadiget eller defekt.

26. Må ikke anvendes med et beskadiget strømkabel eller en beskadiget stikkontakt. Apparatet og OMNI-stationen må ikke bruges, hvis den ene eller den anden ikke fungerer korrekt, har været tabt, er beskadiget, har været efterladt udendørs eller er kommet i kontakt med vand. Den må kun repareres af fabrikanten eller dennes serviceværksted for at undgå enhver risiko.
27. Stikket skal tages ud af stikkontakten, før OMNI-stationen rengøres eller vedligeholdes.
28. I forbindelse med bortskaffelse af apparatet skal apparatet tages ud af OMNI-stationen, og strømmen til apparatet skal slukkes, før du fjerner batteriet.
29. Hvis OMNI-stationen ikke skal bruges i længere tid, skal den tages fra strømmen.
30. Hvis robotten ikke skal bruges i længere tid, skal du slukke for robotten med henblik på opbevaring og tage OMNI-stationen fra strømmen.
31. ADVARSEL – Hæld kun rent vand i rentvandstanken.

32. ADVARSEL: Brug kun den aftagelige strømforsyningsenhed CH2311, der følger med apparatet, til genopladning af batteriet.









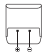

For at opfylde kravene til RF-eksponering skal der holdes afstand på 20 cm eller mere mellem denne enhed og personer under betjening af enheden.

For at sikre overholdelse af gældende love og bestemmelser frarådes det at betjene apparatet tættere på end denne afstand. Antennen, der bruges til denne sender, må ikke placeres sammen med andre antenner eller sendere.

Opdatering af enhed

Visse enheder opdateres typisk hver anden måned, men ikke altid så regelmæssigt.

Nogle enheder, især dem, der blev solgt for mere end tre år siden, vil kun blive opdateret, hvis der opdages en kritisk sårbarhed og den rettes.

	Forsigtig: varm overflade
	Kortslutningssikker isolerende transformere
	Strømforsyning til switch-mode
	Kun til indendørs brug
	Jævnstrøm
	Vekselstrøm
	Dette produkt overholder gældende EU-direktiver.
	Læs brugsanvisningen før opladning.
	Ladestikkets polaritet
	Miniature-sikringsforbindelse med tidsforsinkelse

Fjernovervågningen er udelukkende beregnet til privat brug på ikke-offentlige, private steder til ren selvbeskyttelse og enkeltkontrol. Vær opmærksom på de lokale juridiske databeskyttelsesforpligtelser, hvis den tages i brug. Der må ikke foretages overvågning af offentlige steder, især ikke med fordækte hensigter og/eller uden gyldig grund fra arbejdsgiverens side. En sådan uberettiget brug er udelukkende efter brugerens egen risiko og eget ansvar.

EU-overensstemmelseserklæring

Oplysninger til brugere om bortskaffelse af affald af elektrisk og elektronisk udstyr



Dette symbol på produktet eller dets emballage angiver, at brugte elektriske og elektroniske produkter ikke må blandes sammen med usorteret kommunalt affald. For at sikre korrekt behandling er det dit ansvar at bortskaffe dit affaldsudstyr ved at sørge for at returnere det til de angivne indsamlingssteder. Korrekt bortskaffelse af dette produkt bidrager til at spare værdifulde ressourcer og forhindre eventuel negativ påvirkning af folkesundheden og miljøet, som ellers ville kunne opstå som følge af uhensigtsmæssig affaldshåndtering.

For at aflevere din brugte enhed retur skal du bruge retur- og genbrugsfaciliteter eller kontakte den forhandler, hvor produktet blev købt, hvilket er gratis. Kontakt den lokale myndighed for at få yderligere oplysninger om den nærmeste afmærkede genbrugsplads eller indsamlingsordning. Der kan uddeles sanktioner ved forkert bortskaffelse af sådant affald i henhold til den statslige lovgivning.

Oplysninger til brugere om bortskaffelse af brugte batterier



Dette symbol betyder, at batterier og akkumulatorer ikke må blandes sammen med usorteret kommunalt affald, når de er udtjent. Din deltagelse er en vigtig del af indsatsen for at minimere batterier og akkumulators påvirkning af miljøet og af folkesundheden. For at sikre korrekt genbrug kan du aflevere dette produkt, eller de batterier eller akkumulatorer, det indeholder, retur til din forhandler eller aflevere det på en udpeget genbrugsplads, begge muligheder er gratis at bruge.

Korrekt bortskaffelse af dette produkt bidrager til at spare værdifulde ressourcer og forhindre eventuel negativ påvirkning af folkesundheden og miljøet, som ellers ville kunne opstå som følge af uhensigtsmæssig affaldshåndtering.

Der kan uddeles sanktioner ved forkert bortskaffelse af sådant affald i henhold til den statslige lovgivning. der findes separate genbrugssystemer til brugte batterier og akkumulatorer.

Bortskaf batterier og akkumulatorer korrekt på din lokale genbrugsplads.

Direktivet om begrænsning af anvendelsen af visse farlige stoffer (RoHS)

Ecovacs Home Service Robotics Co., Ltd. erklærer hermed, at hele produktet, herunder tilbehør (kabler, ledninger osv.), opfylder kravene i RoHS-direktivet 2011/65/EU og ændringskommissionens delegerede direktiv (EU) 2015/863 om begrænsning af anvendelsen af visse farlige stoffer i elektrisk og elektronisk udstyr ("RoHS-omarbejdning" eller "RoHS 2.0").

Radioudstyrsdirektivet

Ecovacs Home Service Robotics Co., Ltd. erklærer hermed, at det produkt, der er anført i dette afsnit, overholder de væsentlige krav og andre relevante bestemmelser i radioudstyrsdirektivet 2014/53/EU.

Godkendt repræsentant i Europa:



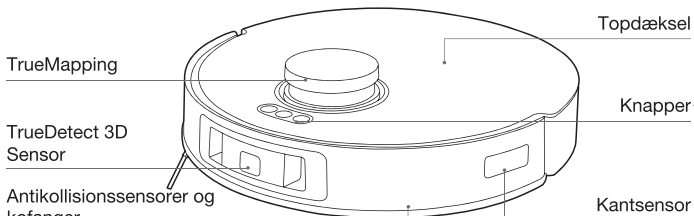
ECOVACS Europe GmbH
Holzstrasse 2 | D-40221 Düsseldorf | Tyskland

Ecovacs Home Service Robotics Co., Ltd. erklærer hermed, at produktet overholder de væsentlige krav og andre relevante bestemmelser i RoHS-direktivet 2011/65/EU og ændring af Kommissionens delegerede direktiv (EU) 2015/863, radioudstyrsdirektivet 2014/53/EU.

Overensstemmelseserklæringen kan ses på følgende webadresse: <https://www.ecovacs.com/global/compliance>.

PRODUKTDIAGRAM

Robot

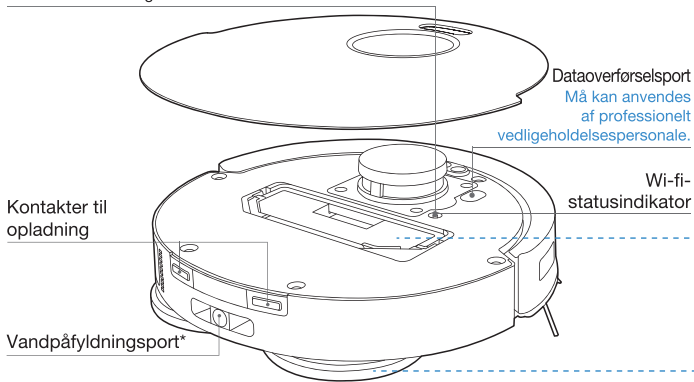


Knapper

- Kort tryk: Forlad/vend tilbage til stationen Langt tryk: Selvrens
- Kort tryk: Start/pause/fortsæt Langt tryk: Tænd/sluk
- Kort tryk: Start/afslut spotrengøring Langt tryk: Børnesikring

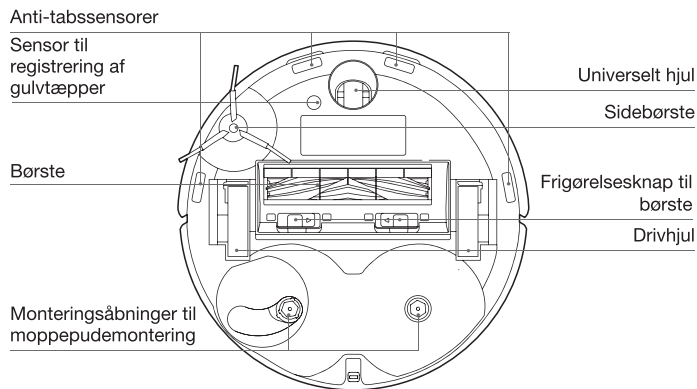
Nulstillingsknap

Gendan standardindstillinger: Tryk på nulstillingsknappen, og hold den nede i 5 sekunder. Når du hører stemmemeddelelsen, afspilles opstartsmusikken, og robotten vender tilbage til standardindstillingerne.

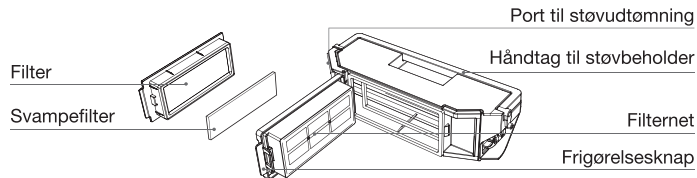


* På grund af forskellige produktkonfigurationer kan der være modeller uden en vandpåfyldningsport.

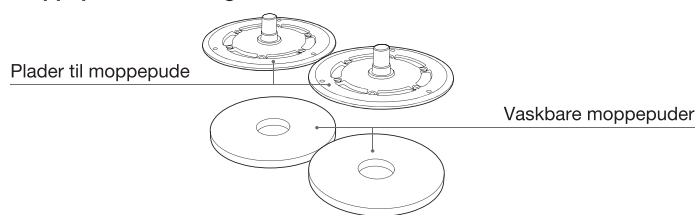
Set nedefra



Støvbeholder



Moppepudemontage



OMNI Station

Bemærk:

* Hvis lysstribe blinker rødt, skal du kontrollere årsagen i ECOVACS HOME-appen.

* Hvis DEEBOT ikke kan oplades, skal du tørre opladningskontakterne af med en ren og tør klud.

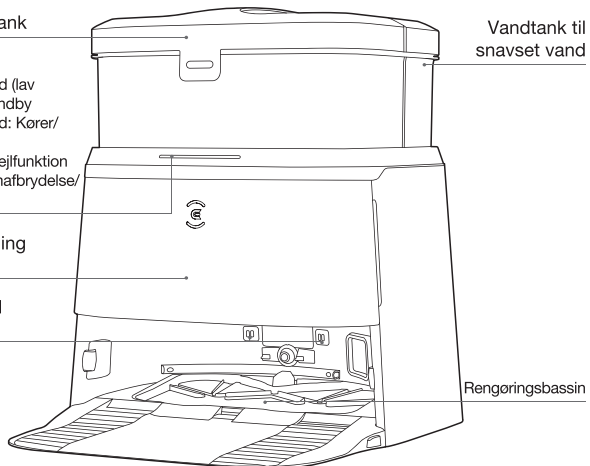
Rentvandstank

Lysstribe

Skinnende hvid (lav lysstyrke): Standby
Skinnende hvid: Kører/
selvrensning
Blinker rødt: Fejlfunktion
Slukker: Strømfryselse/
dvaletilstand

Støvsamling
Kabinet

Kontakter til
opladning

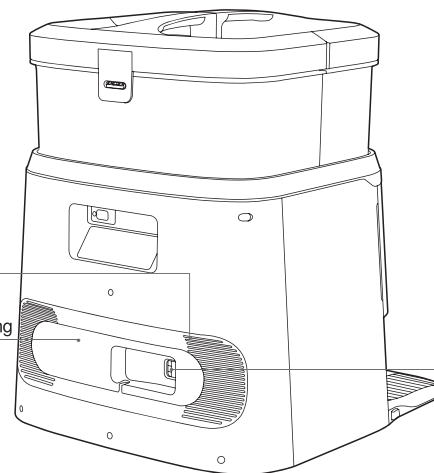


OMNI-station (bagside)

Luftudsugning

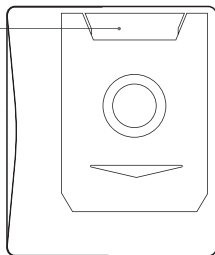
Kabelgennemføring

Strømskik



Støvpose

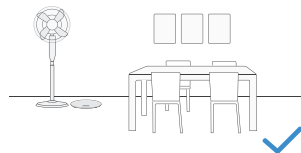
Håndtag til støvsugerpose



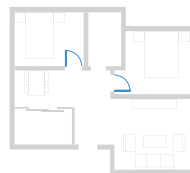
SENSORER

Navn	Funktionsbeskrivelse
TrueMapping	Ved at anvende trianguleringsprincippet, som involverer udsendelse og modtagelse af laserstråler reflekteret af omgivende objekter, kan afstanden mellem DEEBOT og nærliggende objekter beregnes præcist ved hjælp af algoritmer. Når DEEBOT bevæger sig inden for et bestemt miljø, bestemmes placeringen af de omgivende genstande for at oprette et rumligt kort over DEEBOTs omgivelser. Måleområdet er 8 meter.
TrueDetect 3D-sensor	TrueDetect 3D-sensoren med struktureret lys scanner genstanden med en linjelaser og tager billeder med et monokulært kamera og genererer genstandens tredimensionelle koordinater ved hjælp af billedalgoritmer for at identificere genstandens størrelse. Registreringsafstanden er 0,35 m
Anti-tabssensor	Når der bruges afstandsmåling med infrarødt lys til at måle afstanden mellem bunden af DEEBOT og gulvet via en infrarød sensor i bunden, vil DEEBOT ikke bevæge sig fremad, når der er trapper foran den, eller den identificerede afstand er større end den nuværende, hvilket sætter Anti-fald i gang. Udløsningsafstanden er 60 mm.
Sensor til registrering af gulvtæpper	Den energimæssige forskel mellem det ultrasoniske ekkosignal på forskellige overflader bruges til at identificere gulvmaterialet og hjælpe DEEBOT med at justere rengøringsstrategien automatisk. Kørefrekvens 290 kHz.
Kantsensor	Ved hjælp af princippet om infrarødt lys registrerer robotten afstanden mellem sig selv og genstande på siden. Når der er en væg eller en forhindring i højre side, udfører robotten kantrengøring, så den undgår kollisioner og opdager alle pletter.
Antikollisionssensor	Når det transmitterede signal blokeres af en forhindring, kan signalmottageren ikke modtage signalet. Ved hjælp af dette princip undgår DEEBOT forhindringer, når den stoder ind i dem.

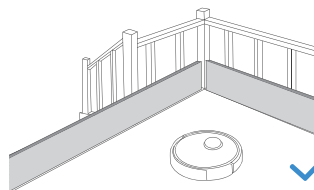
BEMÆRKNINGER FØR RENGØRING



Ryd op i det område, der skal rengøres, ved at stille møbler, f.eks. stole, på deres rette plads.



Ved førstegangsbrug skal du sørge for, at alle værelsesdøre er åbne, så DEEBOT kan udforske dit hus.



Det kan være nødvendigt at anbringe en fysisk barriere ved kanten af en niveauforskel for at forhindre apparatet i at falde ud over kanten.



Læg løse genstande som kabler, kludetæpper og tøfler væk for at gøre rengøringen mere effektiv.



Før du bruger produktet på et tæppe, der har frynser ved kanten, skal du folde tæppets kanter ind under sig selv.



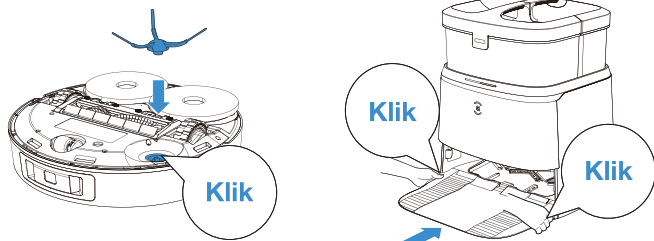
Stå ikke på smalle steder, f.eks. gange, og sørg for ikke at blokere TrueMapping-afstandssensoren.

LYNOPSTART

Før du bruger DEEBOT, skal du fjerne alle beskyttelsesmaterialer.

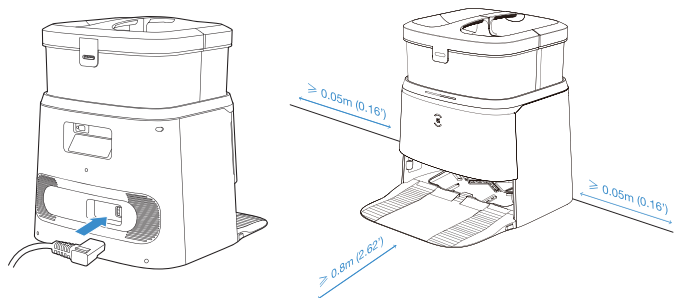
1 Installation

Kliklyden angiver korrekt montering.



2 Saml og placer stationen

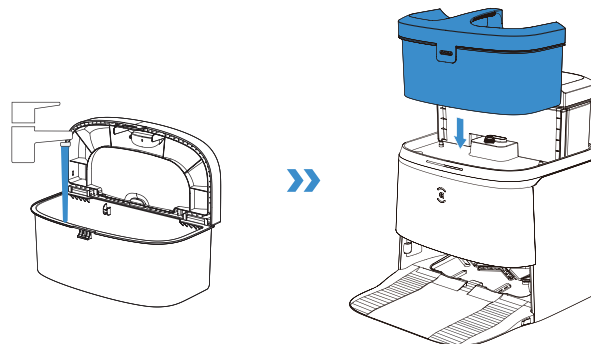
Sørg for, at området omkring stationen er fri for genstande, især genstande med reflekterende overflader.



Bemærk:

- Hvis der er reflekterende genstande som f.eks. spejle og reflekterende fodpaneler i nærheden af stationen, skal de nederste 14 cm af disse dækkes til.
- Stationen må ikke placeres i direkte sollys.
- Det anbefales at placere stationen på hårdt gulv, så det komplette udvalg af robotens funktioner kan opleves.
- Anbring stationen et sted med et stærkt wi-fi-signal.

Brug tanke



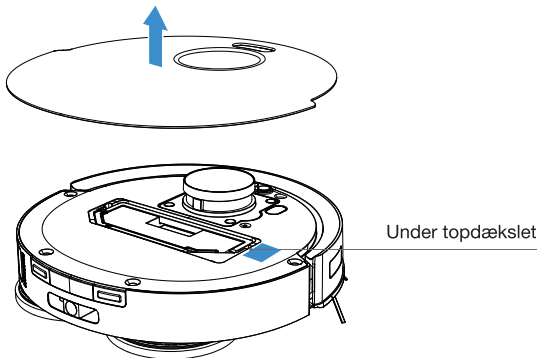
Bemærk:

- * Det anbefales at bruge ECOVACS DEEBOT-rengøringsmiddel (sælges separat). Brug af andre rengøringsmidler kan medføre, at DEEBOT glider, at vandtanken blokeres samt andre problemer.
- * Vanddråberne i vandtanken er tilovers fra funktionstesten, så du kan roligt bruge den.

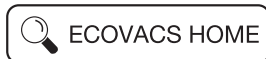
DOWNLOAD ECOVACS HOME-APPEN

For at du kan få glæde af alle de mulige funktioner anbefales det at bruge ECOVACS HOME-appen til at styre din DEEBOT.

1. Scan QR-koden under topdækslet for at downloade appen.





2. Søg i ECOVACS HOME for at downloade appen.



FORBIND DEEBOT MED APPEN

1. Via Bluetooth:

Tænd for Bluetooth på DEEBOT og på mobiltelefonen. Giv appen tilladelse til at få Bluetooth-tilladelse fra mobiltelefonen. Tryk på  for at scanne QR-koden på DEEBOT eller tryk på  i appen for at finde DEEBOT i nærheden.


2. Via wi-fi:

Du kan forbinde DEEBOT med appen via wi-fi ved at ignorere Bluetooth i appen. **Bemærk:** Vælg den relevante tilslutningsmetode.

Krav til wi-fi-netværk:

- Du bruger et 2,4 GHz eller 2,4/5 GHz blandet netværk.
- Routeren understøtter 802.11b/g/n- og IPv4-protokollen.
- Der må ikke bruges VPN (Virtual Private Network) eller proxyserver.
- Der må ikke bruges et skjult netværk.
- WPA og WPA2 med TKIP-, PSK-, AES/CCMP-kryptering.
- WEP EAP (Enterprise Authentication Protocol) understøttes ikke.
- Brug wi-fi-kanal 1-11 i Nordamerika og kanal 1-13 uden for Nordamerika (der henvises til det lokale myndighedsorgan).
- Hvis du bruger en netværksforlænger/-repeater, er netværksnavnet (SSID) og adgangskoden det samme som dit primære netværk.
- Aktiver WPA2 på din router.

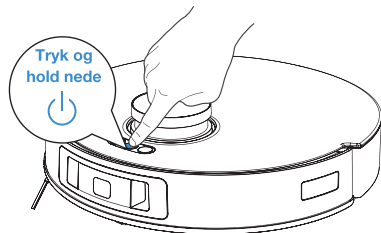
Wi-fi-indikatorlys

	Hvidt lys blinker langsomt	Opretter forbindelse
	Hvidt lys blinker hurtigt	Afbrudt fra wi-fi
	Konstant blått lys	Tilsluttet wi-fi

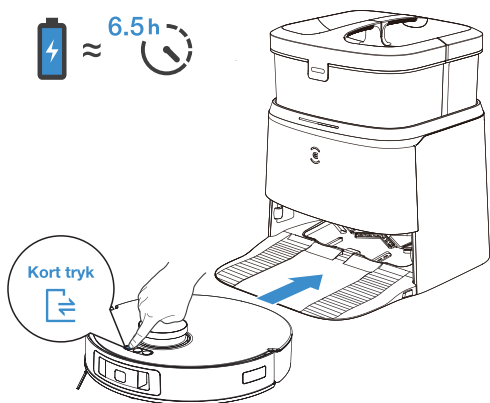
Vær opmærksom på, at ibrugtagelse af smartfunktioner som f.eks. fjernbetjent opstart, stemmeinteraktion, visning af 2D/3D-kort og betjeningsindstillinger samt personliggjort rengøring (afhængigt af forskellige produkter) kræver, at brugerne downloader og bruger ECOVACS HOME-appen, som hele tiden opdateres. Du skal acceptere vores politik om beskyttelse af personlige oplysninger og vores brugeraftale, før vi kan behandle nogle af dine grundlæggende og nødvendige oplysninger og gøre det muligt for dig at betjene produktet. Hvis du ikke accepterer vores politik om beskyttelse af personlige oplysninger og vores brugeraftale, vil nogle af de førnævnte smartfunktioner ikke kunne ibrugtages via ECOVACS HOME-appen. Du vil dog stadig kunne bruge produktets grundlæggende funktioner til manuel betjening.

Tænd og oplad DEEBOT

1 Tryk og hold  nede i 3 sekunder, vent på, at startmusikken afspilles, så ved du, at DEEBOT er tændt.



2 Tryk kort på  for at kalde DEEBOT tilbage for at køre ind i stationen og blive opladt.




Bemærk: Når DEEBOT er kørt ind i stationen, skal du vente i ca. 5 sekunder, og du vil høre stemmemeddelelsen "Parring lykkedes".

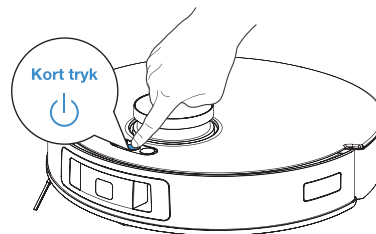
BETJENING AF DEEBOT

DEEBOT opretter et kort under første rengøring. Når du laver et kort for første gang, skal du følge DEEBOT med rundt for at hjælpe med at løse nogle småproblemer.

DEEBOT kan f.eks. sidde fast under møblerne. Se følgende løsninger:

1. Hæv de lavtstående møbler, hvis det er muligt.
2. Dæk bunden af møblerne.
3. Konfigurer den virtuelle grænse via appen.

Tryk kort på  for at starte. Ved første rengøring skal du sørge for, at DEEBOT er fuldt opladet.



Bemærk: Når DEEBOT ikke er i drift, anbefales det at holde den tændt og i færd med at lade op.

TEKNISKE SPECIFIKATIONER

Model	DDX11		
Nominel indgang	20 V === 2 A	Opladningstid	ca. 6,5 t
Stationsmodel	CH2311		
Nominel indgang	220-240 V ~ 50-60 Hz	Nominel udgang	20V === 2A
Nominel indgangseffekt (opladning)	0,5 A	Effekt (tømning)	1000W
Effekt (varmtvandsvaskemoppe)	1650W		
Strøm til netværksstandby	Mindre end 2,00 W		

Det trådløse moduls udgangseffekt er mindre end 100 mW.

Bemærk: Tekniske specifikationer og designspecifikationer kan ændres i forbindelse med løbende produktforbedringer.

Se mere tilbehør på <https://www.ecovacs.com/global>.



Scan QR-koden for
yderligere oplysninger.

TÄRKEITÄ TURVALLISUUSOHJEITA

TÄRKEITÄ TURVALLISUUSOHJEITA

Sähkölaitteita käytettäessä on aina noudatettava seuraavia varotoimia:

LUE KAIKKI OHJEET ENNEN LAITTEEN KÄYTTÖÄ SÄILYTÄ NÄMÄ OHJEET

1. Laitetta voivat käyttää myös yli 8-vuotiaat lapset ja henkilöt, joiden fyysinen tai henkinen toimintakyky on rajoittunut tai joilla on aistirajoitteita tai joilla ei ole kokemusta tai tietoa laitteen käytöstä, jos heitä valvotaan tai heitä on opastettu laitteen turvalliseen käyttöön ja he ymmärtävät laitteen käyttöön liittyvät vaarat. Lapset eivät saa leikkiä laitteella. Lapset eivät saa puhdistaa tai huoltaa laitetta ilman valvontaa.
2. Tyhjennä puhdistettava alue. Poista virtajohdot ja pienet esineet lattialta, jotta ne eivät sotkeudu laitteeseen. Työnnä maton hapsut maton alle ja nosta esimerkiksi verhojen tai pöytäliinojen liepeet pois lattialta.
3. Jos puhdistettavalla alueella on pudotus portaiden tai askelmien vuoksi, varmista

ohjaamalla laitetta, että se tunnistaa askelman eikä putoa reunan yli. Reunalle on ehkä asetettava fyysinen este, jotta laite ei putoa. Varmista, että fyysinen este ei aiheuta kompastumisvaaraa.

4. Käytä laitetta vain tässä oppaassa kuvatulla tavalla. Käytä vain valmistajan suosittelemia tai myymiä lisälaitteita.
5. VAIN kotitalouksien SISÄKÄYTTÖÖN. Älä käytä laitetta ulkona, kaupallisessa ympäristössä tai teollisessa ympäristössä.
6. Älä käytä laitetta ilman pölysäiliötä ja/tai suodattimia.
7. Älä käytä laitetta paikassa, jossa on kynttilöitä tai hauraita esineitä.
8. Pidä hiukset, väljät vaatteet, sormet ja muut vartalon osat etäällä laitteen aukoista ja liikkuvista osista.
9. Älä käytä laitetta huoneessa, jossa on nukkuva vauva tai lapsi.
10. Älä käytä laitetta märillä pinnoilla tai pinnoilla, joilla on seisovaa vettä.
11. Älä anna laitteen poimia suuria esineitä, kuten kiviä, suuria paperinpalasia tai muuta, mikä voi tukkia laitteen.

12. Älä poimi laitteella helposti syttyviä tai tulenarkoja materiaaleja, kuten bensiiniä tai tulostimen tai kopiokoneen väriainetta, tai käytä sitä alueilla, joilla niitä saattaa olla.
13. Älä poimi laitteella palavia tai savuavia materiaaleja, kuten savukkeita, tulitikkuja tai tuhkaa tai muuta, mikä voi aiheuttaa tulipalon.
14. Älä työnnä imuaukkoon esineitä. Älä käytä laitetta, jos imuaukko on tukossa. Varmista, että ilmanottoaukossa ei ole pölyä, nukkaa, hiuksia tai muuta, mikä voi heikentää ilmavirtaa.
15. Jos virtajohto on vahingoittunut, vaaran välttämiseksi sen saa vaihtaa vain valmistaja tai huoltoliike.
16. Katkaise virta virtakytkimestä ennen laitteen puhdistamista tai huoltoa.
17. CH2311-virtalähteessä on käytettävä litiumakkua, jossa on enintään 8 kennoa ja jonka nimellisjännite on enintään DC 14,4 V ja nimelliskapasiteetti 4 800 mAh. Akku on poistettava ja hävitettävä paikallisten lakien ja säädösten mukaisesti ennen laitteen hävittämistä.
18. Hävitä käytetyt akut paikallisten lakien ja säädösten mukaisesti.
19. Älä polta laitetta, vaikka se olisi vaurioitunut vakavasti. Akut voivat räjähtää poltettaessa.
20. Laitetta on käytettävä tämän käyttöoppaan ohjeiden mukaisesti. Ecovacs Home Service Robotics ei vastaa virheellisestä käytöstä johtuvista vahingoista tai vammoista.
21. Robotti sisältää akkuja, joita vain ammattitaitoiset henkilöt saavat vaihtaa. Jos haluat vaihtaa robotin akun, ota yhteyttä asiakaspalveluun.
22. Varmista, että virtalähteen jännite vastaa OMNI-asemaan merkittyä jännitettä.
23. Käytä vain laitteen mukana toimitettua alkuperäistä ladattavaa akkua ja OMNI-asemaa. Paristot eivät ole sallittuja.
24. Varo, ettet vahingoita virtajohtoa. Älä vedä tai kanna laitetta tai OMNI-asemaa virtajohdosta, käytä virtajohtoa kahvana, sulje ovea siten, että virtajohto jää väliin, tai vedä virtajohtoa terävien reunojen tai kulmien ympäri. Älä anna laitteen kulkea virtajohdon päältä. Pidä virtajohto etäällä kuumista pinnoista.
25. Älä käytä viallista OMNI-asemaa. Virtalähdettä ei saa korjata eikä käyttää enää, jos se on vaurioitunut tai viallinen.

26. Älä käytä laitetta, jos virtajohto tai liitäntä on vaurioitunut. Älä käytä laitetta tai OMNI-asemaa, jos se ei toimi kunnolla, jos se on pudonnut, vaurioitunut, jätetty ulos tai joutunut kosketuksiin veden kanssa. Vaaran välttämiseksi se on toimitettava korjattavaksi valmistajalle tai huoltoliikkeeseen.
27. Pistoke on irrotettava liitännästä ennen OMNI-aseman puhdistamista tai huoltoa.
28. Poista laite OMNI-asemasta ja katkaise siitä virta ennen kuin poistat akun laitteen hävittämistä varten.
29. Jos OMNI-asemaa ei käytetä pitkään aikaan, irrota se pistorasiasta.
30. Jos robottia ei käytetä pitkään aikaan, katkaise siitä virta säilytystä varten ja irrota OMNI-asema pistorasiasta.
31. VAROITUS: lisää puhdasta vettä vain puhtaan veden säiliöön.
32. **VAROITUS:** Lataa akku vain laitteen mukana toimitetulla irrotettavalla virtalähteellä CH2311.







Jotta laite täyttäisi radiotaajuusenergialle altistumista koskevat vaatimukset, laitteen on oltava käytön aikana vähintään 20 cm:n päässä ihmisistä.

Vaatimustenmukaisuuden varmistamiseksi laitetta ei saa käyttää tätä lähempänä. Tämän lähettimen antennia ei saa sijoittaa minkään muun antennin tai lähettimen yhteyteen.

Laitteen päivitys

Jotkin laitteet päivitetään kahdesti kuukaudessa, mutta tätä ei noudateta aina tarkasti.

Jotkin laitteet, erityisesti yli kolme vuotta sitten myydyt, päivitetään vain, jos niistä on löytynyt kriittinen haavoittuvuus, joka on korjattu.

	Varoitus: kuuma pinta
	Oikosulkusuojattu eristysmuuntaja
	Hakkuriteholähde
	Vain sisäkäyttöön
	Tasavirta
	Vaihtovirta
	Tämä tuote täyttää sovellettavien EY-direktiivien vaatimukset.
	Lue ohjeet ennen lataamista.
	Latausliitännän napaisuus
	Aikaviive, pienoissulake

Etävalvonta on tarkoitettu ainoastaan yksityiseen käyttöön yksityishenkilön omistamissa tiloissa henkilökohtaista turvallisuutta ja yhden laitteen ohjausta varten. Huomioi paikalliset tietosuojaperusteiset lakisääteiset velvoitteet käytön aikana. Valvontaa ei saa käyttää julkisissa paikoissa, varsinkaan salatussa tarkoituksessa ja/tai työnantajan toimesta perusteettomasti. Käyttäjä on yksin vastuussa perusteettomasta käytöstä ja sen aiheuttamista riskeistä.

Euroopan unionin vaatimustenmukaisuuslausunto

Tietoja sähkö- ja elektroniikkaromun hävittämisestä



Tämä tuotteessa tai sen pakkauksessa oleva symboli osoittaa, että käytettyjä sähkö- ja elektroniikkalaitteita ei saa hävittää lajittelemattoman yhdyskuntajätteen mukana. Oikea käsittely edellyttää, että hävität jätelaitteiston toimittamalla sen asianmukaiseen keräyspisteeseen. Hävittämällä tuotteen oikein säästät arvokkaita luonnonvaroja ja estät ihmisten terveyteen ja ympäristöön kohdistuvia haittoja, joita tuotteen väärä hävittäminen voi aiheuttaa. Voit palauttaa käytetyn laitteen maksutta keräyspisteeseen tai jälleenmyyjälle, jolta tuote on ostettu. Pyydä paikalliselta viranomaiselta lisätietoja lähimmästä asianmukaisesta keräyspisteestä. Tämän jätteen virheelliseen hävittämiseen voi liittyä seuraamuksia kansallisen lainsäädännön mukaisesti.

Tietoja käytettyjen akkujen hävittämisestä



Tämä symboli tarkoittaa, että käyttöiän lopussa olevia paristoja ja akkuja ei saa hävittää lajittelemattoman yhdyskuntajätteen mukana. Osallistumisesi on tärkeä osa pyrkimystä vähentää haittoja, joita paristot ja akut voivat aiheuttaa ympäristölle ja ihmisten terveydelle. Oikea kierrätys edellyttää, että toimitat tämän tuotteen, paristot tai akut jälleenmyyjälle tai asianmukaiseen keräyspisteeseen, mikä on maksutonta. Hävittämällä tuotteen oikein säästät arvokkaita luonnonvaroja ja estät ihmisten terveyteen ja ympäristöön kohdistuvia haittoja, joita tuotteen väärä hävittäminen voi aiheuttaa. Tämän jätteen virheelliseen hävittämiseen voi liittyä seuraamuksia kansallisen lainsäädännön mukaisesti. Käytettyjä paristoja ja akkuja varten on omat keräysjärjestelmänsä. Toimita paristot ja akut asianmukaisesti paikalliseen jätteiden keräys- ja kierrätyskeskukseen.

Tiettyjen vaarallisten aineiden käytön rajoittamista koskeva direktiivi (RoHS)

Ecovacs Home Service Robotics Co., Ltd. vakuuttaa täten, että koko tuote, mukaan lukien osat (kaapelit, johdot, jne.), täyttää RoHS-direktiivin 2011/65/EU ja komission delegoidun muutosdirektiivin (EU) 2015/863 vaatimukset tiettyjen vaarallisten aineiden käytön rajoittamisesta sähkö- ja elektroniikkalaitteissa ("uusittu RoHS" tai "RoHS 2.0").

Radiolaitedirektiivi

Ecovacs Home Service Robotics Co., Ltd. vakuuttaa täten, että tässä osiossa luetellut tuotteet ovat radiolaitedirektiivin 2014/53/EU olennaisten vaatimusten ja muiden määräysten mukaisia.

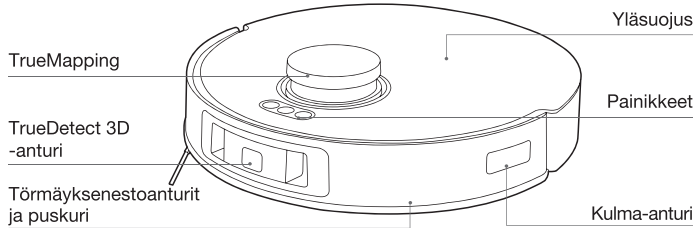
Valtuutettu edustaja Euroopassa:



Ecovacs Home Service Robotics Co., Ltd. vakuuttaa täten, että tuote on RoHS-direktiivin 2011/65/EU ja komission delegoidun muutosdirektiivin (EU) 2015/863 sekä radiolaitedirektiivin 2014/53/EU olennaisten vaatimusten ja muiden määräysten mukainen. Vaatimusten mukaisuusvakuutus on luettavissa osoitteessa <https://www.ecovacs.com/global/compliance>.

TUOTEKAAVIO

Robotti

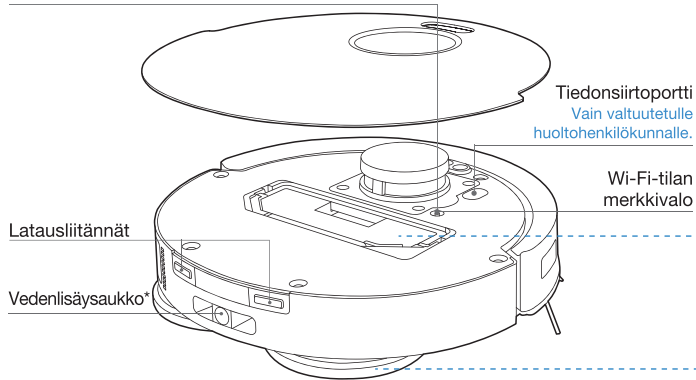


Painikkeet

- Lyhyt painallus: Poistuminen/paluu asemaan Pitkä painallus: Itsepuhdistus
- Lyhyt painallus: Käynnistys/tauko/jatka Pitkä painallus: Käynnistys/sammutus
- Lyhyt painallus: Aloita/lopetä pienen alueen tehopuhdistus Pitkä painallus: lapsilukko

NOLLAUSpainike

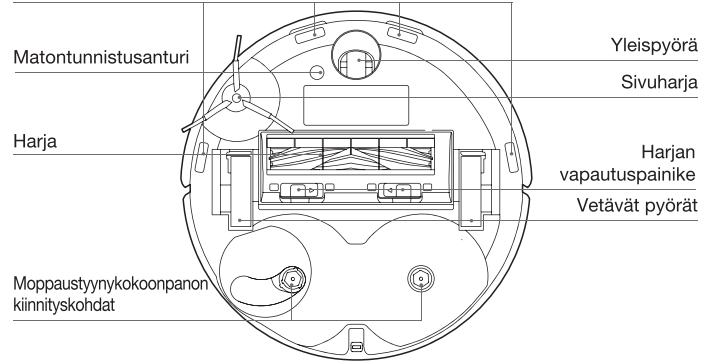
Oletusasetusten palauttaminen: Paina NOLLAUSpainiketta 5 sekuntia. Äänikehotteen jälkeen käynnistysääni toistetaan ja robotin oletusasetukset palautetaan.



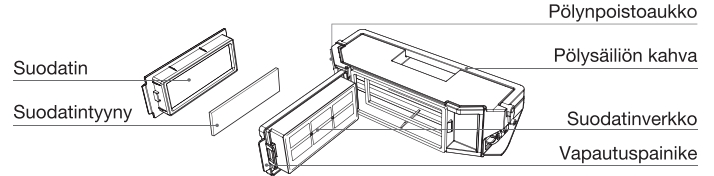
* Eri tuotekokoonpanojen vuoksi joissakin malleissa ei välttämättä ole vedenlisäysaukkoa.

Näkymä alta

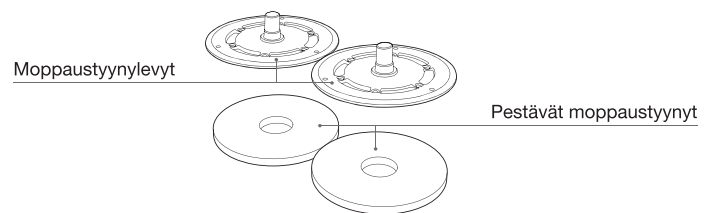
Putoamisen estoanturit



Pölysäiliö



Moppaustyynykokoonpano



OMNI-asema

Huomautus:

* Jos valonauha vilkkuu punaisena, tarkista syy ECOVACS HOME App -sovelluksesta.

* Jos DEEBOT ei lataudu, pyyhi latausliitännät puhtaalla ja kuivalla liinalla.

Puhtaan veden säiliö

Valonauha

Hehkuu valkoisena (pieni

kirkkaus): Valmiustila

Hehkuu valkoisena:

Käynnissä/itsepuhdistus

Vilkkuu punaisena:

Toimintahäiriö

Sammuu: Virtakatkos /

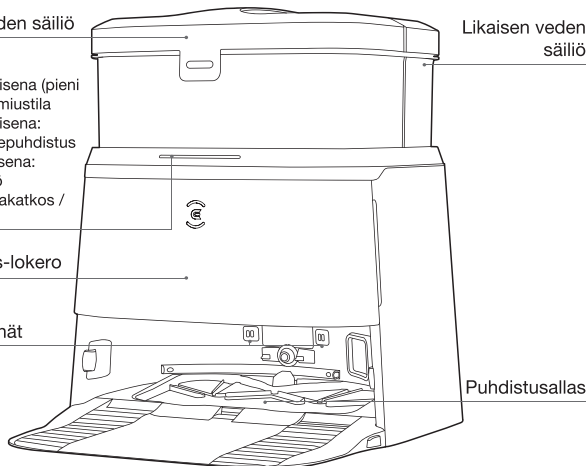
syvä lepotila

Pölynkeräys-lokero

Latausliitännät

Likaisen veden
säiliö

Puhdistusallas

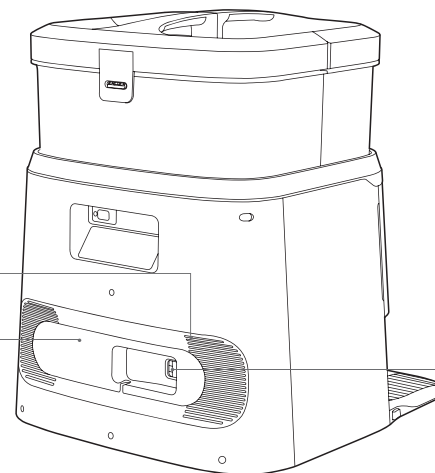


OMNI-asema (takaa)

Ilma-aukko

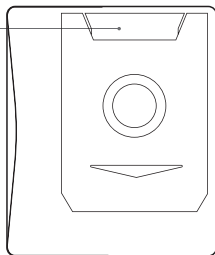
Johtokanava

Pistorasia



Pölypussi

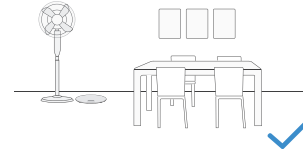
Pölypussin kahva



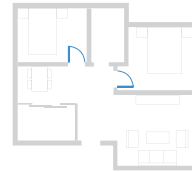
ANTURIT

Nimi	Toiminnon kuvaus
TrueMapping	DEEBOT-laitteen tarkka etäisyys lähellä oleviin kohteisiin voidaan laskea algoritmien avulla käyttäen kolmiomittauksen periaatetta ja lasersäteitä, jotka heijastuvat laitteen ympärillä olevista kohteista. Kun DEEBOT liikkuu tietyssä ympäristössä, sen ympäristöstä luodaan kartta määrittämällä sen ympärillä olevien kohteiden sijainnit. Mittausalue on 8 metriä.
TrueDetect 3D -anturi	TrueDetect 3D -valoanturi lukee kohteen viivalaserilla ja kuvaa yksilinnisellä kameralla. Se määrittää kohteen koon luomalla kohteen kolmiulotteiset koordinaatit kuva-algoritmien avulla. Tunnistusetäisyys on 0,35 m
Putoamisen estoanturi	Kun infrapuna-anturi havaitsee DEEBOT-laitteen pohjan etäisyyden lattiaan laitteen pohjassa olevalla infrapuna-anturilla, DEEBOT ei liiku eteenpäin, jos sen edessä on portaita tai havaittu etäisyys ylittää esimääritetyn rajan, ja putoamisen esto aktivoituu. Laukeamisetäisyys on 60 mm.
Matontunnistusanturi	Lattian materiaali tunnustetaan sen mukaan, miten ultraäänen kaikusignaali heijastuu erilaisista materiaaleista, ja DEEBOT vaihtaa puhdistustavan automaattisesti. Käyttötaajuus 290 kHz.
Kulma-anturi	Robotti havaitsee etäisyytensä sivullaan oleviin kohteisiin infrapuna-anturilla. Kun oikealla puolella on seinä tai este, robotti varmistaa joka kohdan siivouksen ja estää törmäyksen reunan puhdistustoiminnolla.
Törmäyksenestoanturi	Kun este estää lähetetyn signaalin, signaalivastaanotin ei vastaanota signaalia. DEEBOT välttää esteitä tämän periaatteen mukaisesti.

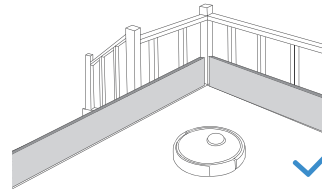
HUOMAUTUKSIA ENNEN PUHDISTUSTA



Tyhjennä puhdistettava alue siirtämällä kalusteet, kuten tuolit, oikeille paikoilleen.



Varmista ensimmäisellä käyttökerralla, että jokaisen huoneen ovi on auki, jotta DEEBOT voi tutkia kotisi täysin.



Jotta laite ei putoa minkään reunan yli, reunalle on ehkä asetettava fyysinen este.



Voit tehostaa puhdistusta poistamalla lattialta esineitä, kuten kaapeleita, liinoja ja tossuja.



Ennen kuin käytät tuotetta tupsureunaisella matolla, taita reunat maton alle.



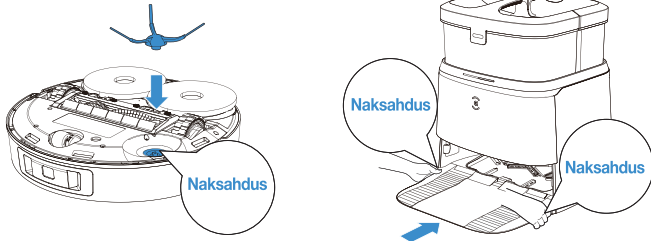
Älä seiso kapeissa tiloissa, kuten käytävillä, äläkä estä TrueMapping-etäisyysanturin toimintaa.

PIKÄKÄYNNISTYS

Poista kaikki suojamateriaalit ennen DEEBOT-laitteen käyttöä.

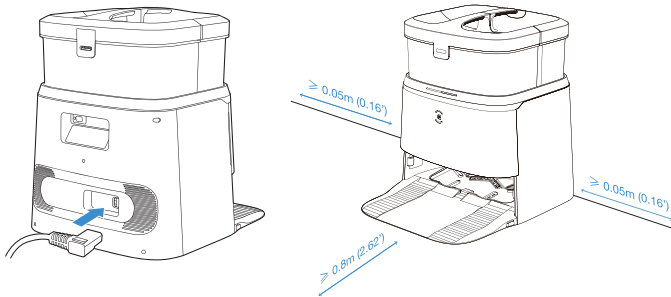
1 Asennus

Naksahdus ilmaisee, että asennus on onnistunut.



2 Kokoa ja sijoita asema

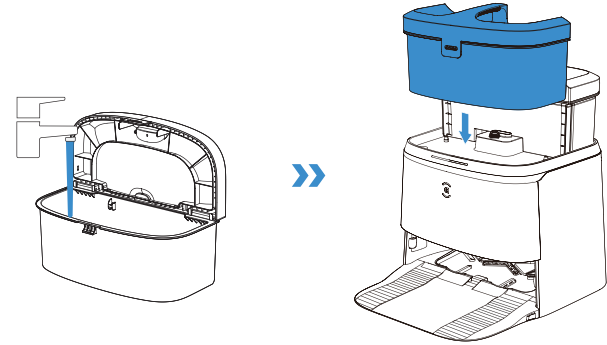
Pidä aseman ympärillä oleva alue tyhjänä esineistä ja erityisesti esineistä, joissa on heijastavia pintoja.



Huomautus:

- Jos aseman lähellä on heijastavia esineitä, kuten peilejä tai heijastavia jalkalistoja, niiden alareuna on peitettävä 14 cm:n korkeuteen lattiasta.
- Älä sijoita asemaa suoraan auringonvaloon.
- Asema kannattaa sijoittaa kovalle lattialle, jotta robotin kaikki toiminnot toimivat.
- Sijoita asema paikkaan, jossa on vahva Wi-Fi-signaali.

Säiliöiden käyttäminen



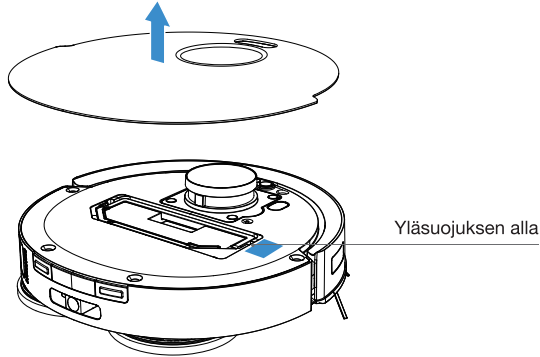
Huomautus:

- * On suositeltavaa käyttää ECOVACS DEEBOT -puhdistusliuosta (myydään erikseen). Muiden puhdistusliuosten käyttö voi aiheuttaa esimerkiksi DEEBOT-laitteen lipsumista tai vesisäiliön tukoksen.
- * Vesisäiliössä on vesipisarointa toimintatestin jäljiltä. Voit käyttää sitä turvallisesti.

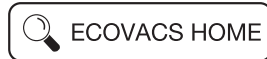
LATAA ECOVACS HOME APP -SOVELLUS YHDISTÄ DEEBOT SOVELLUKSEEN

Jotta voit käyttää kaikkia käytettävissä olevia ominaisuuksia, suosittelemme, että ohjaat DEEBOT-laitetta ECOVACS HOME App -sovelluksella



1. Lataa sovellus skannaamalla yläsuojuksen alla oleva QR-koodi.



2. Hae ja lataa ECOVACS HOME -sovellus.



1. Bluetooth-yhteydellä:

Ota Bluetooth käyttöön DEEBOT-laitteessa ja matkapuhelimessa. Salli sovellukselle matkapuhelimen Bluetoothin käyttöoikeus. Skanna DEEBOT-laitteen QR-koodi napauttamalla -painiketta tai etsi lähellä oleva DEEBOT napauttamalla -painiketta sovelluksessa.

2. Wi-Fi-yhteydellä:


Voit yhdistää DEEBOT-laitteen sovellukseen Wi-Fi-yhteydellä ohittamalla sovelluksen Bluetooth-yhteyden.

Huomaus: Valitse asianmukainen yhteys.

Wi-Fi-verkon vaatimukset:

- Käytössä on 2,4 GHz:n tai 2,4/5 GHz:n sekaverkko.
- Reittiin tukee 802.11b/g/n- ja IPv4-protokollia.
- Älä käytä VPN (Virtual Private Network) -yhteyttä tai välityspalvelinta.
- Älä käytä piilotettua verkkoa.
- WPA ja WPA2 sekä TKIP-, PSK-, AES/CCMP-salaus.
- WEP EAP (Enterprise Authentication Protocol) -protokollaa ei tueta.
- Käytä Pohjois-Amerikassa Wi-Fi-kanavia 1–11 ja Pohjois-Amerikan ulkopuolella kanavia 1–13 (kysy lisätietoja paikallisesta sääntelyvirastosta).
- Jos käytät verkon laajenninta/toistinta, verkon nimi (SSID) ja salasana ovat samat kuin ensisijaisessa verkossa.
- Ota WPA2 käyttöön reitittimessä.

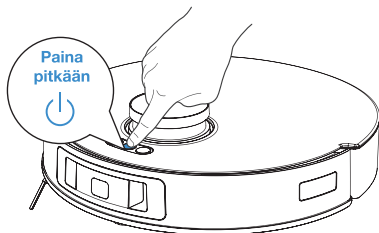
Wi-Fi-merkkivalo


	Valkoinen valo vilkkuu hitaasti	Yhteyttä muodostetaan
	Valkoinen valo vilkkuu nopeasti	Wi-Fi-yhteys katkaistu
	Palaa sinisenä	Yhdistetty Wi-Fi-verkkoon

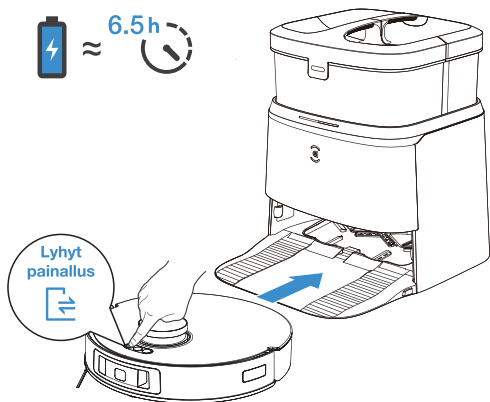
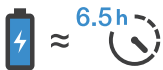
Huomaa, että älytoimintojen käyttäminen (kuten etäkäynnistys, puheohjaus, 2D/3D-karttanäyttö ja ohjausasetukset) sekä mukautettu puhdistus (tuotekohtaisesti) edellyttävät, että käyttäjät lataavat ja käyttävät jatkuvasti päivitettyä ECOVACS HOME App -sovellusta. Sinun on hyväksyttävä tietosuojakäytäntömme ja käyttäjäsovimuksemme, jotta voimme käsitellä sinua koskevia perustietoja ja tarvittavia tietoja ja sallia tuotteen käytön sinulle. Jos et hyväksy tietosuojakäytäntöämme ja käyttäjäsovimustamme, jokin edellä mainituista älytoiminnoista eivät ole käytettävissä ECOVACS HOME App -sovelluksessa, mutta voit silti käyttää tuotteen perustoimintoja manuaalisesti.

DEEBOT-laitteen käynnistäminen ja lataaminen

1 Paina  -painiketta 3 sekuntia ja odota käynnistymusiikkia, joka ilmaisee, että DEEBOT on käynnistynyt.



2 Painamalla  -painiketta lyhyesti voit palauttaa DEEBOT-laitteen asemaan latautumaan.




Huomautus: Kun DEEBOT saapuu asemalle, noin 5 sekunnin kuluttua kuulet äänen sanovan "Pairing Successful".

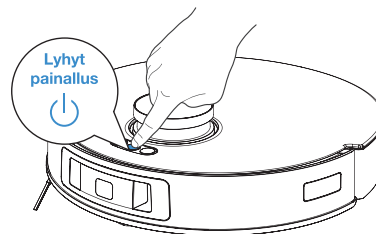
DEEBOT-LAITTEEN KÄYTTÖ

DEEBOT luo ensimmäisellä puhdistuskerralla kartan. Kun luot karttaa ensimmäistä kertaa, seuraa DEEBOT-laitetta mahdollisten pienten ongelmien varalta.

DEEBOT saattaa esimerkiksi jäädä jumiin kalusteiden alle. Kokeile seuraavia:

1. Nosta matalalla olevia kalusteita, jos mahdollista
2. Peitä kalusteiden alareuna
3. Määritä virtuaalinen raja sovelluksella.

Käynnistä painamalla  -painiketta lyhyesti. Varmista ennen ensimmäistä puhdistuskertaa, että DEEBOT on ladattu täyteen.



Huomautus: Kun DEEBOT ei ole käytössä, on suositeltavaa pitää se PÄÄLLÄ ja latauksessa.

TEKNISET TIEDOT

Malli	DDX11		
Nimellistulojännite	20 V === 2 A	Latausaika	Noin 6,5 h
Aseman malli	CH2311		
Nimellistulojännite	220–240 V ~ 50–60 Hz	Nimellisteho	20 V === 2 A
Nimellistulovirta (lataus)	0,5 A	Teho (tyhjennys)	1000 W
Teho (kuumavesipesumoppi)	1650W		
Valmiustilan virrankäyttö verkossa	Alle 2,0 W		

Langattoman moduulin nimellisteho on alle 100 mW.

Huomautus: Tekniset tiedot ja rakenteen tekniset tiedot voivat muuttua tuotteen jatkuvan parantamisen vuoksi.

Tutustu muihin lisävarusteisiin osoitteessa <https://www.ecovacs.com/global>.



**Katso lisätiedot
skannaamalla QR-koodi.**

ÖNEMLİ GÜVENLİK TALİMATLARI

ÖNEMLİ GÜVENLİK TALİMATLARI

Bir elektrikli Cihaz kullanırken, aşağıdakiler de dahil olmak üzere temel önlemlere mutlaka uyulmalıdır:

BU CİHAZI KULLANMADAN ÖNCE TÜM TALİMATLARI OKUYUN BU TALİMATLARI SAKLAYIN

1. Bu Cihaz, Cihazın güvenli bir şekilde kullanımına ilişkin denetim sağlanıp söz konusu tehlikeleri anlamaları koşuluyla 8 yaş ve üzeri çocuklar ve fiziksel, duyuşsal veya zihinsel becerileri gelişmemiş ya da yeterli deneyim ve bilgiye sahip olmayan kişiler tarafından kullanılabilir. Çocuklar, Cihazla oynamamalıdır. Temizlik ve kullanıcı bakımı, gözetim olmaksızın çocuklar tarafından gerçekleştirilmemelidir.
2. Temizlenecek alanı boşaltın. Cihaza dolanabilecek güç kablolarını ve küçük nesnelere zeminden kaldırın. Halının saçaklarını halının altına sıkıştırın ve perde ve masa örtüleri gibi nesnelere yerden kaldırın.
3. Bir basamak veya merdiven nedeniyle temizlik

alanında düşme olursa Cihazın basamağı düşmeden tespit edebilmesini sağlamak için cihazı çalıştırmanız gerekir. Ünitenin düşmesini önlemek için kenara fiziksel bir bariyer yerleştirmek gerekebilir. Fiziksel bariyerin takılma tehlikesi oluşturmadığından emin olun.

4. Yalnızca bu kılavuzda açıklanan şekilde kullanın. Yalnızca üretici tarafından önerilen veya satılan ek parçaları kullanın.
5. YALNIZCA İÇ MEKAN ev kullanımı içindir. Cihazı dış mekanda, ticari veya endüstriyel ortamlarda kullanmayın.
6. Toz haznesi ve/veya filtreler olmadan kullanmayın.
7. Cihazı, yanan mumlar veya hassas nesnelere bulunduğu bir alanda çalıştırmayın.
8. Saçlarınızı, bol giysilerinizi, parmaklarınızı ve vücudunuzun tüm kısımlarını açıklıklardan ve hareketli parçalardan uzak tutun.
9. Cihazı bir bebek veya çocuğun uyuduğu bir odada çalıştırmayın.
10. Cihazı ıslak yüzeylerde veya durgun su bulunan yüzeylerde kullanmayın.
11. Cihazın taşlar, büyük kağıt parçaları veya

- Cihazı tıkayabilecek herhangi bir nesne gibi büyük objeleri çekmesine izin vermeyin.
12. Cihazı benzin, yazıcı veya fotokopi toneri gibi yanıcı veya tutuşabilir maddeleri çekmek için veya bu maddelerin bulunabileceği alanlarda kullanmayın.
 13. Cihazı sigara, kibrit, sıcak kül gibi yanan veya üzerinden duman tüten ya da yangına neden olabilecek herhangi bir şeyi çekmek için kullanmayın.
 14. Emme girişine herhangi bir nesne koymayın. Emme girişi tıkalıysa ürünü kullanmayın. Emme girişini tozdan, tüylerden, saçlardan veya hava akışını azaltabilecek herhangi bir şeyden uzak tutun.
 15. Güç kablosu, hasar görmesi halinde tehlikeyi önlemek için üretici veya servis sorumlusu tarafından değiştirilmelidir.
 16. Cihazı temizlemeden veya bakımını yapmadan önce güç düğmesini KAPALI konuma getirin.
 17. CH2311 için uygun lityum pil tipi; maksimum 8 hücreli, DC 14,4 V maksimum nominal gerilimli ve 4800 mAh anma kapasitelidir. Cihaz bertaraf edilmeden önce pil çıkarılmalı ve yerel yasalara ve yönetmeliklere uygun olarak atılmalıdır.
 18. Lütfen kullanılmış pilleri yerel yasalara ve yönetmeliklere uygun olarak bertaraf edin.
 19. Ciddi şekilde hasar görmüş olsa bile Cihazı yakmayın. Piller yangında patlayabilir.
 20. Cihaz, bu Kullanım Kılavuzundaki talimatlara uygun olarak kullanılmalıdır. Ecovacs Home Service Robotics, yanlış kullanımdan kaynaklanan herhangi bir hasar veya yaralanmadan sorumlu tutulamaz.
 21. Robotta yalnızca kalifiye kişiler tarafından değiştirilebilecek piller bulunur. Robotun pilini değiştirmek için lütfen Müşteri Hizmetleri ile iletişim kurun.
 22. Lütfen güç kaynağı geriliminin OMNI Station'da işaretli güç gerilimiyle eşleştiğinden emin olun.
 23. Yalnızca üretici tarafından Cihazla birlikte verilen orijinal şarj edilebilir pili ve OMNI Station'ı kullanın. Şarj edilemeyen pillerin kullanımı yasaktır.
 24. Güç kablosuna zarar vermemeye dikkat edin. Cihazı veya OMNI Station'ı güç kablosundan çekmeyin veya taşımayın, güç kablosunu tutacak olarak kullanmayın, güç

kablosu üzerine kapı kapatmayın veya güç kablosunu keskin kenarların veya köşelerin etrafından çekmeyin. Cihazı güç kablosunun üzerinde çalıştırmayın. Güç kablosunu sıcak yüzeylerden uzak tutun.

25. Hasarlıysa OMNI Station'ı kullanmayın. Güç kaynağı onarılmamalı ve hasarlı veya arızalı olması durumunda kullanılmamalıdır.
26. Hasarlı bir güç kablosu veya priz ile kullanmayın. Düzgün çalışmaması, düşmesi, hasar görmesi, dışarıda bırakılması veya suyla temas etmesi halinde Cihazı veya OMNI Station'ı kullanmayın. Tehlikeyi önlemek için üretici veya servis sorumlusu tarafından onarılmalıdır.
27. OMNI Station'ı temizlemeden veya bakımını yapmadan önce fişin prizden çıkarılması gerekir.
28. Cihazı OMNI Station'dan çıkarın ve Cihazın bertarafı için pili çıkarmadan önce Cihazın güç düğmesini KAPALI konuma getirin.
29. OMNI Station uzun süre kullanılmayacaksa lütfen fişini çekin.
30. Robot uzun bir süre kullanılmayacaksa depolama için robotu KAPALI konuma alın ve OMNI Station'ı prizden çekin.

31. UYARI - Yalnızca temiz depoya temiz su ekleyin.

32. UYARI: Pili şarj etmek amacıyla sadece Cihazla birlikte verilen CH2311 çıkarılabilir besleme ünitesini kullanın.

Radyo frekansına maruz kalma gereksinimlerini karşılamak için aygıt çalışırken bu aygıtla kişiler arasında 20 cm veya daha fazla bir mesafe olmalıdır.

Uyumluluğu sağlamak adına bu mesafeden daha yakında kullanım yapılması önerilmez. Bu verici için kullanılan anten, başka bir anten veya verici ile birlikte yerleştirilmemelidir.

Aygıt Güncellemesi

Bazı aygıtlar genellikle iki ayda bir güncellenmekle birlikte her zaman bu kadar kesin olmayabilir. Özellikle üç yıldan uzun süre önce satışa sunulan bazı aygıtlar, yalnızca kritik bir güvenlik açığı bulunup düzeltilirse güncellenir.

	Dikkat: sıcak yüzey
	Kısa devre korumalı güvenlik yalıtım transformatörü
	Anahtar modu güç kaynağı
	Yalnızca iç mekanda kullanım içindir
	Doğrudan akım
	Alternatif akım
	Bu ürün, yürürlükteki AT Direktiflerine uygundur.
	Şarj etmeden önce talimatları okuyun.
	Şarj bağlantı noktasının polaritesi
	Zaman gecikmeli minyatür sigorta bağlantısı

Uzaktan gözetim, yalnızca meşru müdafaa ve tek kontrol amacıyla, halka açık olmayan, özel mülk kapsamındaki yerlerin kullanımına yöneliktir. Lütfen kullanım durumunda yerel veri korumaya ilişkin yasal yükümlülöklere dikkat edin. Halka açık yerlerde, özellikle gizli niyetle ve/veya işveren tarafından haklı nedenler olmaksızın gözetim yapılmamalıdır. Haklı nedenlere dayalı olmayan kullanım, yalnızca kullanıcının riski ve sorumluluğudur.

Avrupa Birliđi Uyum Beyanı Atık Elektrikli ve Elektronik Ekipman Kullanıcıları için Bertaraf Dair Bilgiler



Ürün veya ambalajı üzerindeki bu sembol, kullanılmış elektrikli ve elektronik ürünlerin tasnif edilmemiş kentsel atıklarla karıştırılmaması gerektiğini gösterir. Doğru işlem için atık ekipmanınızı belirlenen toplama noktalarına iade etmek üzere düzenleme yaparak bertaraf etmek sizin sorumluluğunuzdadır. Bu ürünün doğru bir şekilde bertaraf edilmesi, değerli kaynakların korunmasına yardımcı olur ve uygunsuz atık işleme nedeniyle insan sağlığı ve çevre üzerinde oluşabilecek olumsuz etkileri önler. Kullanılmış aygıtınızı iade etmek için lütfen iade ve toplama sistemlerini kullanın veya ücretsiz olarak ürünü satın aldığınız bayiye iletişime geçin. Size en yakın toplama noktası hakkında daha fazla bilgi için yerel yetkilinizle iletişime geçebilirsiniz. Ulusal mevzuatınız uyarınca bu atığın yanlış şekilde bertaraf edilmesi nedeniyle cezalar söz konusu olabilir.

Kullanılmış Pillerin Bertaraf Edilmesine Yönelik Kullanıcı Bilgileri



Bu sembol, pil ve akümülatörlerin kullanım ömrü sonunda tasnif edilmemiş kentsel atıklarla karıştırılmaması gerektiği anlamına gelir. Bu hususa riayet etmeniz, pillerin ve akümülatörlerin çevre ve insan sağlığı üzerindeki etkisini en aza indirmeye yönelik çabaların önemli bir parçasıdır. Doğru geri dönüşüm uygulaması için bu ürünü ya da içindeki pilleri veya akümülatörleri tedarikçinize veya belirlenmiş bir toplama noktasına ücretsiz olarak iade edebilirsiniz. Bu ürünün doğru bir şekilde bertaraf edilmesi, değerli kaynakların korunmasına yardımcı olur ve uygunsuz atık işleme nedeniyle insan sağlığı ve çevre üzerinde oluşabilecek olumsuz etkileri önler. Ulusal mevzuatınız uyarınca bu atığın yanlış şekilde bertaraf edilmesi nedeniyle cezalar söz konusu olabilir. Kullanılmış piller ve akümülatörler için ayrı toplama sistemleri mevcuttur. Lütfen pilleri ve akümülatörleri yerel atık toplama/geri dönüşüm merkezinizde doğru şekilde bertaraf edin.

Belirli tehlikeli maddelerin kullanımının kısıtlanmasına ilişkin (RoHS) Direktifi

Ecovacs Home Service Robotics Co., Ltd. işbu belgeyle parçaları (kablolar, teller vb.) dahil olmak üzere tüm ürünün, 2011/65/EU sayılı RoHS Direktifi ve (EU) 2015/863 sayılı, elektrikli ve elektronik ekipmanlarda belirli tehlikeli maddelerin kullanımının kısıtlanmasına ilişkin tadil edilmiş Komisyon Yetkili Direktifine ("Tadil Edilmiş RoHS" veya "RoHS 2.0") uygun olduğunu beyan eder.

Telsiz Ekipmanları Direktifi

Ecovacs Home Service Robotics Co., Ltd. işbu belgeyle bu bölümde listelenen ürünün 2014/53/EU sayılı Telsiz Ekipmanları Direktifinin temel gerekliliklerine ve ilgili diğer hükümlerine uygun olduğunu beyan eder.

Avrupa Yetkili Temsilcisi:

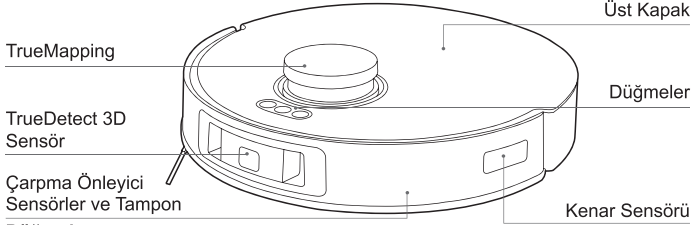


ECOVACS Europe GmbH
Holzstrasse 2 | D-40221 Düsseldorf | Almanya

Ecovacs Home Service Robotics Co., Ltd. işbu belgeyle ürünün 2011/65/EU sayılı RoHS Direktifi, (EU) 2015/863 sayılı tadil edilmiş Komisyon Yetkili Direktifi ve 2014/53/EU sayılı Telsiz Ekipmanları Direktifinin temel gerekliliklerine ve ilgili diğer hükümlerine uygun olduğunu beyan eder. Uygunluk beyanına şu adresten ulaşabilirsiniz: <https://www.ecovacs.com/global/compliance>.

ÜRÜN ŞEMASI

Robot

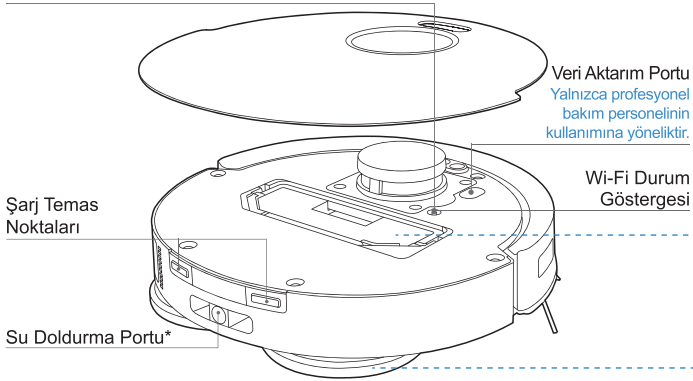


Düğmeler

- | | | |
|--|---|-------------------------------------|
| | Kısa basma: Çıkış/İstasyona Dönüş | Uzun basma: Kendi kendini temizleme |
| | Kısa basma: Başlat/Duraklat/Devam | Uzun basma: Güç açık/Güç kapalı |
| | Kısa basma: Loke Temizlemeyi Başlat/Bitir | Uzun basma: Çocuk Kilidi |

SIFIRLA (RESET) düğmesi

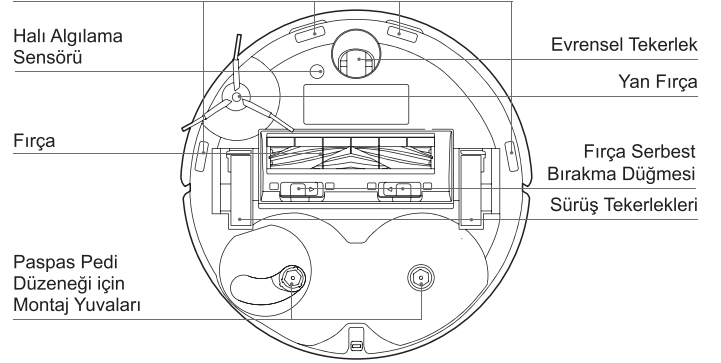
Varsayılan ayarları geri yükleme: SIFIRLA (RESET) düğmesini 5 saniye basılı tutun. Sesli uyarıyı duyduktan sonra başlangıç müziği oynatılır ve robot, varsayılan ayarlara geri döner.



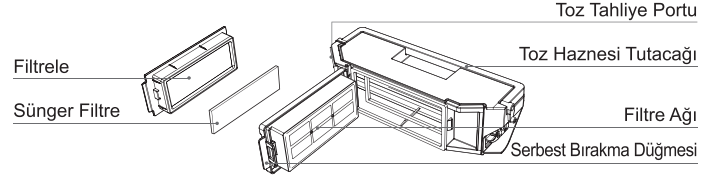
* Farklı ürün yapılandırmaları nedeniyle su doldurma portu olmayan modeller olabilir.

Alttan Görünüm

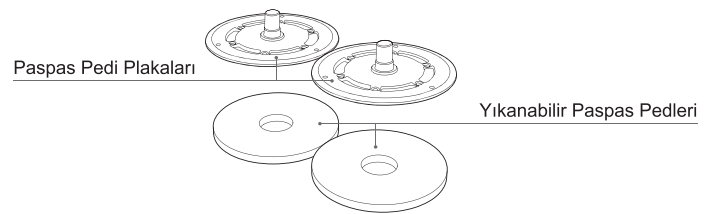
Düşme Önleyici Sensörler



Toz Haznesi



Paspas Padi Düzeneği



OMNI Station

Not:

* Işık Şeridi kırmızı renkte yanıp sönüyorsa lütfen ECOVACS HOME Uygulamasında nedenini kontrol edin.

* DEEBOT şarj olmuyorsa lütfen Şarj Temas Noktalarını temiz ve kuru bir bezle silin.

Temiz Su Deposu

Işık Şeridi

Parlak Beyaz (Düşük parlaklık): Bekleme

Parlak Beyaz: Çalışma/
Kendi kendini temizleme

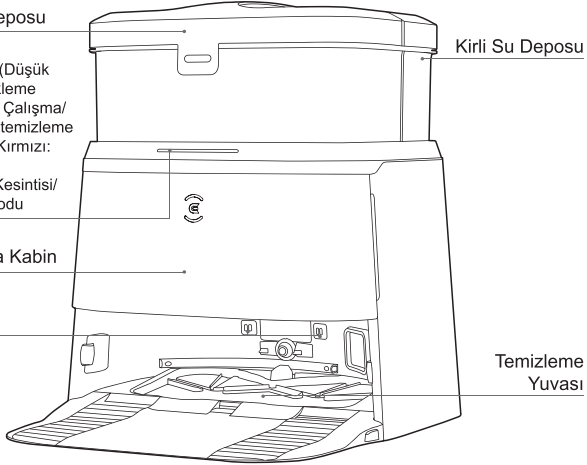
Yanıp Sönen Kırmızı:

Arıza

Sönme: Güç Kesintisi/
Derin Uyku Modu

Toz Toplama Kabin

Şarj Temas
Noktaları

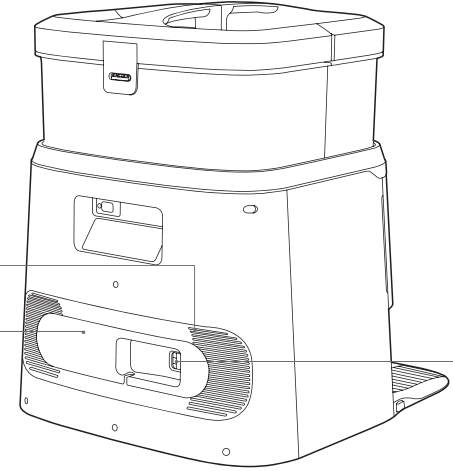


OMNI Station (Geri)

Hava Kanalı

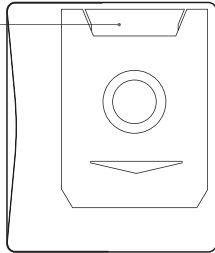
Kablo Kanalı

Priz



Toz Torbası

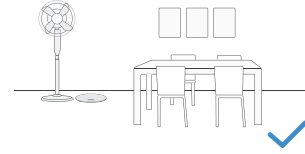
Toz Torbası Tutacağı



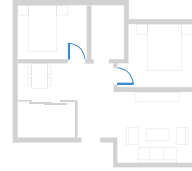
SENSÖRLER

Ad	İşlevsel Açıklama
TrueMapping	Çevredeki nesnelere yansıyan lazer ışınlarının yayılmasını ve alınmasını içeren üçgenlere ayırma prensibi kullanılarak, DEEBOT ile yakındaki nesnelere arasındaki hassas mesafe ölçüm bilgileri algoritmalar aracılığıyla hesaplanabilir. DEEBOT belirli bir ortamda hareket ettiğinde, çevredeki nesnelere konumları DEEBOT'un çevresinin uzamsal haritasını oluşturacak şekilde belirlenir. Ölçüm aralığı 8 metredir.
TrueDetect 3D Sensörü	TrueDetect 3D yapılı ışık sensörü, nesneyi bir çizgi lazer ile tarayarak monoküler kamerayla görüntüler toplar ve nesnenin boyutunu belirlemek için görüntü algoritmaları aracılığıyla nesnenin üç boyutlu koordinatlarını oluşturur. Algılama mesafesi 0,35 m'dir
Düşme Önleyici Sensör	DEEBOT'un alt kısmı ile zemin arasındaki mesafeyi alt kısımdaki kızılötesi sensör aracılığıyla tespit eden kızılötesi menzilleme özelliğiyle DEEBOT önünde merdiven olduğunda veya belirlenen mesafe önceden ayarlanan mesafeyi aştığında düşme önleme işlevini devreye alarak ilerlemez. Tetikleme mesafesi 60 mm'dir.
Halı Algılama Sensörü	Ultrasonik eko sinyalinin farklı yüzeylerdeki enerji farkı, zemin malzemesini tanımlamak ve DEEBOT'un temizleme stratejisini otomatik olarak ayarlamasına yardımcı olmak için kullanılır. Tahrik frekansı 290 KHZ.
Kenar Sensörü	Kızılötesi menzilleme prensibiyle robot, kendisi ile yanındaki nesnelere arasındaki mesafeyi algılar. Sağ tarafta bir duvar veya engel olduğunda, robot atlanan noktaları veya çarpışmaları önlemek için kenar temizleme işlemleri uygular.
Çarpma Önleyici Sensör	İletilen sinyal bir engel tarafından engellendiğinde, sinyal alıcısı sinyali alamaz. Bu prensiple DEEBOT, çarpışacağı engellerden kaçınır.

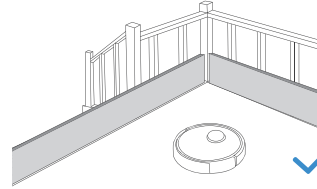
TEMİZLİK ÖNCESİ NOTLAR



Sandalye gibi mobilyaları doğru yerlere yerleştirilerek temizlenecek alanı düzenli bir şekilde ayarlayın.



İlk kullanım sırasında DEEBOT'un evinizi tamamen keşfetmesine yardımcı olmak için her odanın kapısının açık olduğundan emin olun.



Ünitenin kenardan düşmesini önlemek için kenara fiziksel bir bariyer yerleştirmek gerekebilir.



Temizlik verimliliğini artırmak için kablo, kıyafet ve terlik gibi nesnelere zeminde kaldırm.



Ürünü kenarları püsküllü bir halı üzerinde kullanmadan önce lütfen halı kenarlarını halının altına doğru katlayın.



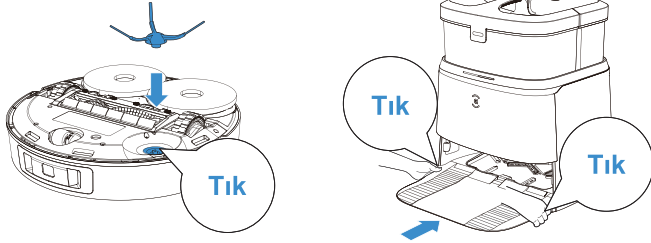
Lütfen koridor gibi dar alanlarda durmayın ve TrueMapping Mesafe Sensörünü engellemediğinizden emin olun.

HIZLI BAŞLANGIÇ

DEEBOT'u kullanmadan önce lütfen tüm koruyucu malzemeleri çıkarın.

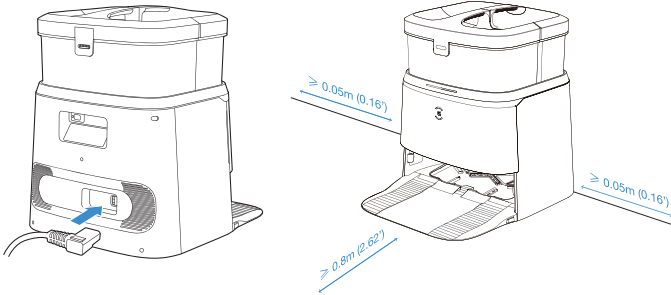
1 Kurulum

Tık sesi doğru takıldığını gösterir.



2 İstasyonu Monte Etme ve Yerleştirme

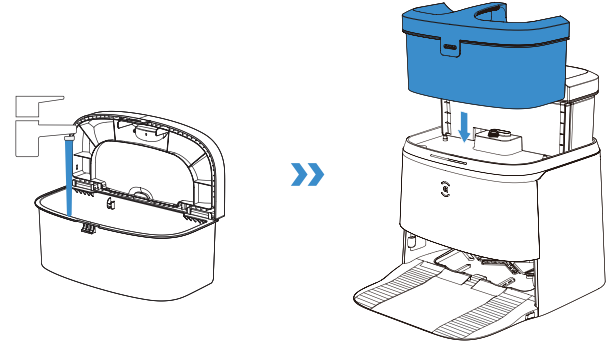
İstasyonun etrafındaki alanı, özellikle yansıtıcı yüzeylere sahip nesnelere uzak tutun.



Not:

- İstasyonun yakınında ayna ve yansıtıcı süpürgelikler gibi yansıtıcı nesnelere varsa alttan 14 cm'lik bir alan örtülmelidir.
- İstasyonu doğrudan güneş ışığı altında bırakmayın.
- Robotun tüm işlevlerini deneyimleyebilmek için İstasyonu sert bir zemine yerleştirmeniz önerilir.
- İstasyonu güçlü Wi-Fi sinyali alan bir konuma yerleştirin.

Depoların Kullanılması



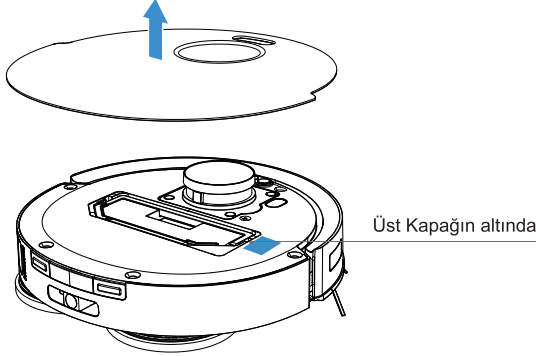
Not:

- * ECOVACS DEEBOT Temizleme Solüsyonunun (ayrı olarak satılır) kullanılması önerilir. Başka bir temizleme solüsyonunun kullanılması DEEBOT'un kaymasına, su deposunun tıkanmasına ve diğer sorunlara neden olabilir.
- * Su Deposundaki su damlaları işlev testinden kalmıştır, lütfen içiniz rahat bir şekilde kullanın.

ECOVACS HOME UYGULAMASINI İNDİRİN

Mevcut tüm özelliklerden faydalanmak için DEEBOT'unuzu ECOVACS HOME Uygulaması ile kontrol etmeniz önerilir.

1. Uygulamayı indirmek için Üst Kapağın altındaki QR Kodunu tarayın.




2. Uygulamayı indirmek için ECOVACS HOME olarak aratın.



DEEBOT'U UYGULAMA İLE BAĞLAYIN

1. Bluetooth ile:

DEEBOT'u ve cep telefonunun Bluetooth özelliğini açın. Uygulamanın cep telefonundan Bluetooth izni almasına izin verin. DEEBOT'taki QR kodunu taramak için  öğesine dokunun veya yakındaki DEEBOT'u bulmak için Uygulamada

 öğesine dokununuz.

2. Wi-Fi ile:


Uygulamada Bluetooth'u yok sayarak DEEBOT'u Wi-Fi yoluyla Uygulamaya bağlayabilirsiniz.

Not: Lütfen uygun bağlantı yöntemini seçin.

Wi-Fi Ağ Gereksinimleri:

- 2,4 GHz veya 2,4/5 GHz karma ağ kullanmaktasınız.
- Yönlendiriciniz 802.11 b/g/n ve IPv4 protokolünü desteklemektedir.
- VPN (Sanal Özel Ağ) veya Proxy Sunucusu kullanmayın.
- Gizli bir ağ kullanmayın.
- WPA ve WPA2; TKIP, PSK, AES/CCMP şifreleme kullanmaktadır.
- WEP EAP (Kurumsal Kimlik Doğrulama Protokolü) desteklenmez.
- Kuzey Amerika'da 1-11 numaralı Wi-Fi kanallarını, Kuzey Amerika dışında ise 1-13 numaralı kanalları kullanın (yerel düzenleyici kuruluşa başvurun).
- Ağ genişletici/tekrarlayıcı kullanıyorsanız ağ adı (SSID) ve parola birincil ağınızla aynıdır.
- Lütfen yönlendiricinizde WPA2'yi etkinleştirin.

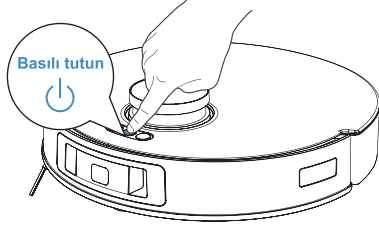
Wi-Fi Gösterge Işığı


	Beyaz ışık yavaş yanıp sönüyor	Bağlanıyor
	Beyaz ışık hızlı yanıp sönüyor	Wi-Fi bağlantısı kesildi
	Sabit Mavi Işık	Wi-Fi'ya bağlandı

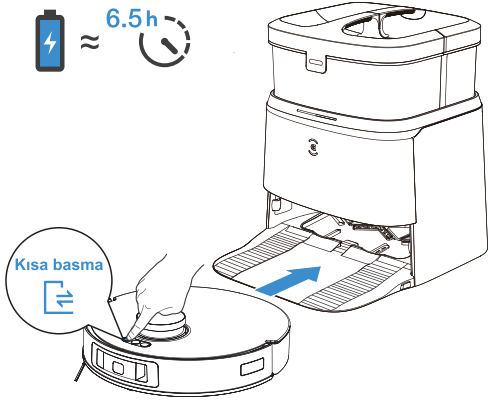
Uzaktan başlatma, sesli etkileşim, 2D/3D harita görüntüleme ve kontrol ayarları ile kişiselleştirilmiş temizlik (farklı ürünlere bağlı olarak) gibi akıllı işlevlerin kullanılabilmesi için kullanıcıların sürekli olarak güncellenen ECOVACS HOME uygulamasını indirmesi ve kullanması gerektiğini lütfen unutmayın. Bazı temel ve gerekli bilgilerinizi işleyebilmemiz ve ürünü çalıştırmanızı sağlayabilmemiz için Gizlilik Politikamızı ve Kullanıcı Sözleşmemizi kabul etmeniz gerekir. Gizlilik Politikamızı ve Kullanıcı Sözleşmemizi kabul etmediğiniz takdirde yukarıda bahsedilen akıllı işlevlerin bazıları ECOVACS HOME Uygulaması ile gerçekleştirilemez. Ancak manuel çalışma için bu ürünün temel işlevlerini kullanmaya devam edebilirsiniz.

DEEBOT'u AÇIK konuma getirin ve Şarj Edin

1  düğmesine 3 saniye boyunca basılı tutun, DEEBOT'un açıldığını belirten başlangıç müziğinin oynatılmasını bekleyin.



2  düğmesine kısa basarak DEEBOT'u geri çağırın ve şarj işlemi için İstasyona girmesini sağlayın.




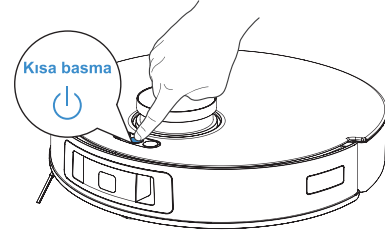
Not: DEEBOT İstasyona girdikten sonra yaklaşık 5 saniye bekleyin, ardından "Pairing Successful" (Eşleştirme Başarılı) sesli uyarısını duyarsınız.

DEEBOT'U ÇALIŞTIRMA

DEEBOT, ilk temizlik sırasında bir harita oluşturacaktır. İlk kez harita oluştururken bazı küçük sorunları ortadan kaldırmak için lütfen DEEBOT'u takip edin. Örneğin, DEEBOT mobilyaların altına sıkışabilir. Lütfen aşağıdaki çözümlere bakın:

1. Mümkünse alçak koltukları kaldırın;
2. Mobilyaların alt kısmını kapatın;
3. Uygulama aracılığıyla Sanal Sınır ayarlayın.

Başlatmak için  düğmesine kısa basın. İlk temizlik için lütfen DEEBOT'un tamamen şarj edildiğinden emin olun.



Not: DEEBOT çalışmadığında AÇIK konumda tutulması ve şarj edilmesi önerilir.

TEKNİK ÖZELLİKLER

Model	DDX11		
Anma Girişi	20 V === 2 A	Şarj Süresi	yaklaşık 6,5 saat
İstasyon Modeli	CH2311		
Anma Girişi	220-240 V ~ 50-60 Hz	Anma Çıkışı	20 V === 2 A
Anma Girişi Akımı (Şarj)	0,5 A	Güç (Boşaltma)	1000 W
Güç (Sıcak Suyla Yıkama Paspası)	1650W		
Ağa Bağlı Bekleme Gücü	2,00 W'tan az		

Kablosuz modülün çıkış gücü 100 mW'tan azdır.

Not: Teknik özellikler ve tasarım özellikleri, sürekli ürün geliştirme kapsamında değiştirilebilir.
Daha fazla aksesuarı <https://www.ecovacs.com/global> adresinden keşfedebilirsiniz.



Daha fazla bilgi için QR kodunu tarayın.

Ecovacs Home Service Robotics Co., Ltd.

No.518 Songwei Road, Wusongjiang Industry Park, Guoxiang Street,
Wuzhong District, Suzhou, Jiangsu, China.