



Questo manuale d'istruzione è fornito da trovaprezzi.it. Scopri tutte le offerte per [Extreme AP4000](#) o cerca il tuo prodotto tra le [migliori offerte di Altri dispositivi di rete](#)



Questo manuale d'istruzione è fornito da trovaprezzi.it. Scopri tutte le offerte per [Extreme AP4000](#) o cerca il tuo prodotto tra le [migliori offerte di Wireless e Bluetooth](#)



ExtremeWireless™ Indoor Access Point AP4000

Installation Guide

9037237-01 Rev AA
January 2022



Copyright © 2022 Extreme Networks, Inc. All rights reserved.

Legal Notice

Extreme Networks, Inc. reserves the right to make changes in specifications and other information contained in this document and its website without prior notice. The reader should in all cases consult representatives of Extreme Networks to determine whether any such changes have been made.

The hardware, firmware, software or any specifications described or referred to in this document are subject to change without notice.

Trademarks

Extreme Networks and the Extreme Networks logo are trademarks or registered trademarks of Extreme Networks, Inc. in the United States and/or other countries.

All other names (including any product names) mentioned in this document are the property of their respective owners and may be trademarks or registered trademarks of their respective companies/owners.

For additional information on Extreme Networks trademarks, see: www.extremenetworks.com/company/legal/trademarks

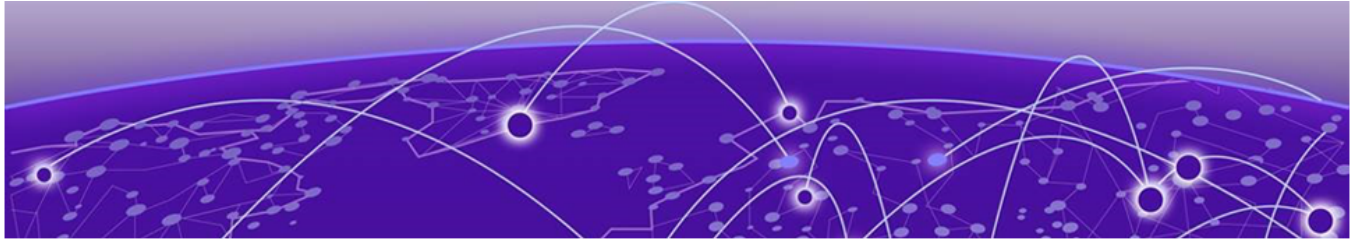
Open Source Declarations

Some software files have been licensed under certain open source or third-party licenses. End-user license agreements and open source declarations can be found at: <https://www.extremenetworks.com/support/policies/open-source-declaration/>



Table of Contents

Preface.....	4
Text Conventions.....	4
Documentation and Training.....	5
Help and Support.....	6
Subscribe to Product Announcements.....	6
Send Feedback.....	6
AP4000 Access Point Overview.....	8
AP4000 Features and Specifications.....	8
Features.....	8
Temperature Specifications.....	10
Power Specifications.....	10
Power Profile.....	10
Status LED Activity Description.....	11
Install the Access Point.....	12
Access Point Box Contents.....	12
Install the Access Point on a Standard Ceiling.....	13
Install the Access Point on a Wall or a Solid Surface Using the AH-ACC-BKT-AX-TB Bracket.....	15
Non-Standard Ceiling Grid or Wall Installation.....	17
Lock the Access Point after Installation.....	21
Internal Antenna Information.....	22
Regulatory and Compliance Information.....	23
Safety Guidelines.....	23
Federal Communications Commission (FCC) Notice.....	23
Japan Indoor Use Statement.....	24
Japan Voluntary Control Council for Interference (VCCI) - Class B.....	24
European Union (EU) Radiation Warning Statement.....	24
Brazil Agência Nacional De Telecomunicações (Anatel) Statement.....	25
Mexico Compliance Statement.....	25
UK Statement and CE Statement.....	25
Industry Canada Statement.....	26
Industry Canada indoor warning.....	26
Taiwan Regulatory Statement.....	28
Hazardous Substances.....	28
European Waste Electrical and Electronic Equipment (WEEE) Notice.....	29
Supplement to Product Instructions.....	29
Declaration of Conformity in Languages of the European Community.....	30
Index.....	33



Preface

Read the following topics to learn about:

- The meanings of text formats used in this document.
- Where you can find additional information and help.
- How to reach us with questions and comments.

Text Conventions

Unless otherwise noted, information in this document applies to all supported environments for the products in question. Exceptions, like command keywords associated with a specific software version, are identified in the text.

When a feature, function, or operation pertains to a specific hardware product, the product name is used. When features, functions, and operations are the same across an entire product family, such as ExtremeSwitching switches or SLX routers, the product is referred to as *the switch* or *the router*.

Table 1: Notes and warnings






Icon	Notice type	Alerts you to...
	Tip	Helpful tips and notices for using the product
	Note	Useful information or instructions
	Important	Important features or instructions
	Caution	Risk of personal injury, system damage, or loss of data
	Warning	Risk of severe personal injury

Table 2: Text

Convention	Description
screen displays	This typeface indicates command syntax, or represents information as it is displayed on the screen.
The words <i>enter</i> and <i>type</i>	When you see the word <i>enter</i> in this guide, you must type something, and then press the Return or Enter key. Do not press the Return or Enter key when an instruction simply says <i>type</i> .
Key names	Key names are written in boldface, for example Ctrl or Esc . If you must press two or more keys simultaneously, the key names are linked with a plus sign (+). Example: Press Ctrl+Alt+Del
Words in italicized type	Italics emphasize a point or denote new terms at the place where they are defined in the text. Italics are also used when referring to publication titles.
NEW!	New information. In a PDF, this is searchable text.

Table 3: Command syntax

Convention	Description
bold text	Bold text indicates command names, keywords, and command options.
<i>italic</i> text	Italic text indicates variable content.
[]	Syntax components displayed within square brackets are optional. Default responses to system prompts are enclosed in square brackets.
{ x y z }	A choice of required parameters is enclosed in curly brackets separated by vertical bars. You must select one of the options.
x y	A vertical bar separates mutually exclusive elements.
< >	Nonprinting characters, such as passwords, are enclosed in angle brackets.
...	Repeat the previous element, for example, <i>member</i> [<i>member</i> ...].
\	In command examples, the backslash indicates a “soft” line break. When a backslash separates two lines of a command input, enter the entire command at the prompt without the backslash.

Documentation and Training

Find Extreme Networks product information at the following locations:

[Current Product Documentation](#)

[Release Notes](#)

[Hardware and software compatibility](#) for Extreme Networks products

[Extreme Optics Compatibility](#)

[Other resources](#) such as white papers, data sheets, and case studies

Extreme Networks offers product training courses, both online and in person, as well as specialized certifications. For details, visit www.extremenetworks.com/education/.

Help and Support

If you require assistance, contact Extreme Networks using one of the following methods:

Extreme Portal

Search the GTAC (Global Technical Assistance Center) knowledge base; manage support cases and service contracts; download software; and obtain product licensing, training, and certifications.

The Hub

A forum for Extreme Networks customers to connect with one another, answer questions, and share ideas and feedback. This community is monitored by Extreme Networks employees, but is not intended to replace specific guidance from GTAC.

Call GTAC

For immediate support: (800) 998 2408 (toll-free in U.S. and Canada) or 1 (408) 579 2826. For the support phone number in your country, visit: www.extremenetworks.com/support/contact

Before contacting Extreme Networks for technical support, have the following information ready:

- Your Extreme Networks service contract number, or serial numbers for all involved Extreme Networks products
- A description of the failure
- A description of any actions already taken to resolve the problem
- A description of your network environment (such as layout, cable type, other relevant environmental information)
- Network load at the time of trouble (if known)
- The device history (for example, if you have returned the device before, or if this is a recurring problem)
- Any related RMA (Return Material Authorization) numbers

Subscribe to Product Announcements

You can subscribe to email notifications for product and software release announcements, Field Notices, and Vulnerability Notices.

1. Go to [The Hub](#).
2. In the list of categories, expand the **Product Announcements** list.
3. Select a product for which you would like to receive notifications.
4. Select **Subscribe**.
5. To select additional products, return to the **Product Announcements** list and repeat steps 3 and 4.

You can modify your product selections or unsubscribe at any time.

Send Feedback

The Information Development team at Extreme Networks has made every effort to ensure that this document is accurate, complete, and easy to use. We strive to improve our documentation to help you in your work, so we want to hear from you. We welcome all feedback, but we especially want to know about:

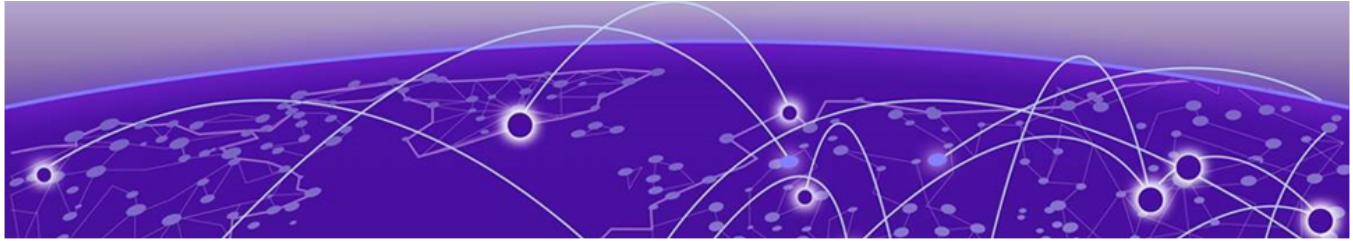
- Content errors, or confusing or conflicting information.

- Improvements that would help you find relevant information.
- Broken links or usability issues.

To send feedback, do either of the following:

- Access the feedback form at <https://www.extremenetworks.com/documentation-feedback/>.
- Email us at documentation@extremenetworks.com.

Provide the publication title, part number, and as much detail as possible, including the topic heading and page number if applicable, as well as your suggestions for improvement.



AP4000 Access Point Overview

[AP4000 Features and Specifications](#) on page 8

[Power Profile](#) on page 10

[Status LED Activity Description](#) on page 11

The AP4000 access point is a high-performance 802.11ax Wi-Fi 6E access point. Designed for high-density indoor environments, it can operate in 6 GHz, 5 GHz, and 2.4 GHz bands.

The access point supports IEEE 802.11ax Orthogonal Frequency-Division Multiple Access (OFDMA) multi-user access.

Related Topics

[AP4000 Features and Specifications](#) on page 8

[Power Profile](#) on page 10

[Status LED Activity Description](#) on page 11

AP4000 Features and Specifications

Features

The access point has the following hardware components:

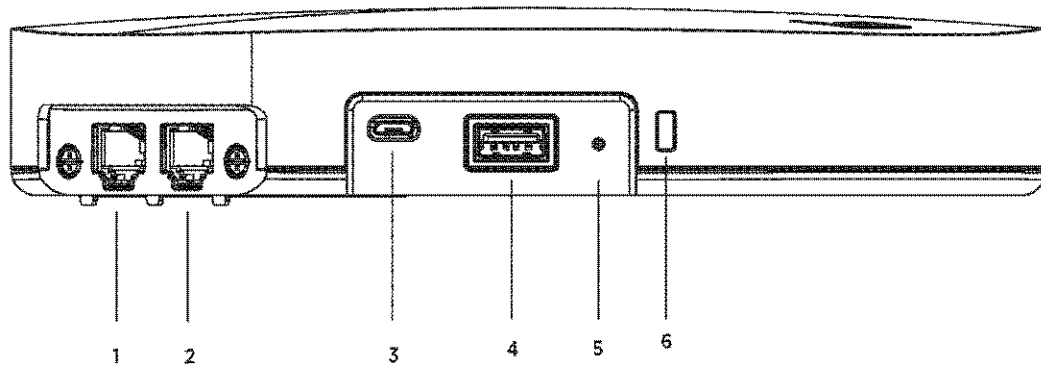


Figure 1: AP4000 hardware components

Callout	Description
1	Eth1
2	Eth0/PoE+
3	Console port
4	USB port
5	Reset button
6	Security Kensington lock

The access point has the following features:

- One multicolor LED status light
- One light sensor located at the top of the device
- Two Ethernet ports - Eth0 and Eth1

For LED activity description, see [Status LED Activity Description](#) on page 11.

Ethernet ports (Eth0 and Eth1) automatically negotiate half- and full-duplex connections with the connecting device.

- Eth0: 100/1000/2500 Mbps auto-negotiation Ethernet port, RJ45, Power over Ethernet (PoE) at 802.3at
- Eth1: 10/100/1000 Mbps auto-negotiation Ethernet port, RJ45

These ports are auto-sensing and adjust to straight-through and crossover standard Cat5e or better Ethernet cables automatically. The access point receives power through an Ethernet connection to the Eth0 port from power sourcing equipment (PSE) that is compatible with the 802.3at and 802.3at standards.

- One USB port
 - One micro USB console port
- Use the USB port to connect USB-based beacons such as iBeacon and Internet of Things (IoT) devices. Remove the screw that secures the protective cover to access the USB port.

Through the console port, you can make a serial connection between your management system and the access point.



Note

When you connect to the device using the micro USB Console port, the management station from which you connect to the device must have a VT100 emulation program, such as Tera Term Pro (a free terminal emulator) or Hilgraeve HyperTerminal (provided with Windows operating systems from XP forward).

- One reset button
- One Kensington lock



Tip

The best practice is to use Kensington locks for locking the device.

Temperature Specifications

- Operating temperature: 0 °C to +50 °C (+32 °F to +122 °F)
- Storage temperature: -40 °C to +70 °C (-40 °F to +158 °F)
- Relative humidity: 0% to 95% non-condensing

Power Specifications

IEEE 802.3at PoE Power

For detailed specifications, refer to the [AP4000 Data Sheet](#).

Power Profile

- Power draw:
 - Typical: 13.0 W; Max: 14.5 W (without USB)
 - Typical: 15.8 W; Max: 17.3 W (with USB)
- 802.3at PoE capable
- Gigabit Ethernet port (RJ45 power input pins: Wires 4,5,7,8 or 1,2,3,6)

Table 4: AP4000 power profile for 802.3af and 802.3at

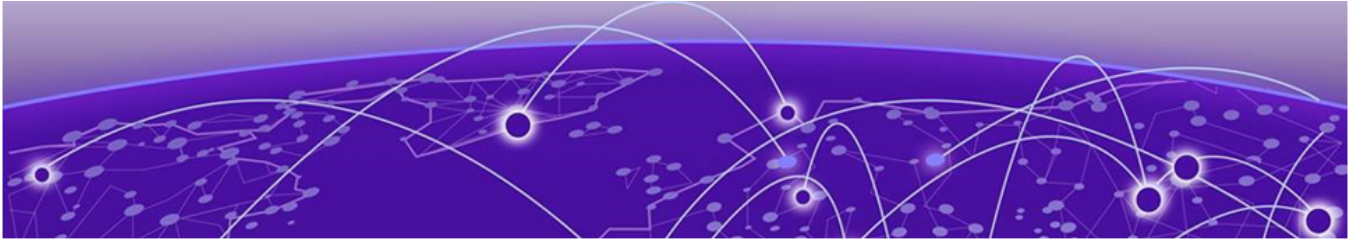
AP4000	802.3af	802.3at
Radio 0 (2.4G)	2×2 (16 dBm)	2×2 (19 dBm)
Radio 1 (5G)	2×2 (16 dBm)	2×2 (18 dBm)
Radio 2 (6G)	2×2 (16 dBm)	2×2 (18 dBm)
BLE	On	On
USB	Off	On

Status LED Activity Description

The AP4000 access point has one status light on top of the chassis. The status light conveys operational states for system power, firmware updates, Ethernet and wireless interface activity, and major alarms.

Table 5: Status LED light activity

Status light color	Activity	Description
White	Steady	The device has successfully established a Control And Provisioning of Wireless Access Points (CAPWAP) connection to ExtremeCloud IQ and is operating normally
	Slow-blinking	The device has a CAPWAP connection to ExtremeCloud IQ, but is operating on 802.3af power instead of 802.3at power
Amber	Steady	The device is initializing, rebooting, or is running without a CAPWAP connection
	Slow-blinking	The device has no CAPWAP connection to ExtremeCloud IQ, and is operating on 802.3af power instead of 802.3at power
	Fast-blinking	The device is upgrading its IQ Engine firmware
Dark	None	Power is off



Install the Access Point

[Access Point Box Contents](#) on page 12

[Install the Access Point on a Standard Ceiling](#) on page 13

[Install the Access Point on a Wall or a Solid Surface Using the AH-ACC-BKT-AX-TB Bracket](#) on page 15

[Non-Standard Ceiling Grid or Wall Installation](#) on page 17

[Lock the Access Point after Installation](#) on page 21

Details about pre-installation checks and various installation options.

About This Task

The access point can be installed on an indoor environment such as a ceiling rail, on non-standard ceilings, and on a wall. The access point is shipped with one mounting bracket, but can be used with other mounting accessories. For more information about selecting the right accessory for your installation scenario, see [802.11ax and Cloud Access Points Accessories Guide](#).

Procedure

1. Verify the access point [box contents](#).
2. Visually inspect the access point, the mounting bracket, and any other optional accessories that you have ordered for physical damage.
If there is any damage, contact [Extreme Networks Support](#).
3. Read and review the [safety guidelines](#).
4. Select an access point mounting option:
 - To install the access point on a standard ceiling rail, see [Install the Access Point on a Standard Ceiling](#) on page 13.
 - To install the access point on a non-standard ceiling grid or a wall, see [Non-Standard Ceiling Grid or Wall Installation](#) on page 17.
5. [Lock the access point](#) after installation.

Access Point Box Contents

When you purchase the access point, ensure that the following items are available in the box:

- An AP4000 access point

- One mounting bracket for 15/16 in. T-bar ceiling installation (part number AH-ACC-BKT-AX-TB)

**Note**

The mounting bracket includes wall mounting hardware; two screws and two anchors for wall installation.

- One quick reference guide

All optional brackets and accessories are sold separately. For detailed instructions about all mounting procedures, see [802.11ax and Cloud Access Points Accessories Guide](#).

Install the Access Point on a Standard Ceiling

Details about access point installation on a standard ceiling

Before You Begin

Hardware requirements for installation:

- One AP4000 access point
- One AH-ACC-BKT-AX-TB bracket

About This Task

The access point ships with the AH-ACC-BKT-AX-TB mounting bracket for standard 15/16 in. dropped ceiling grid or for 9/16 in. wide and flat T-bar, and for walls or solid surfaces with the appropriate mounting hardware. For wall or solid surface installation using the AH-ACC-BKT-AX-TB bracket, see [Install the Access Point on a Wall or a Solid Surface Using the AH-ACC-BKT-AX-TB Bracket](#) on page 15.

For non-standard ceiling rail installations, see [Install the Access Point on a Non-Standard Ceiling Grid or a Wall](#).

The bracket and the access point have a red dot on the back that acts as a guide during installation.

To install the access point:

Procedure

1. Remove the ceiling tiles.

- Align the bracket on the ceiling rail in such a way that the bracket metal angled cuts are parallel to the sides of the ceiling rail.

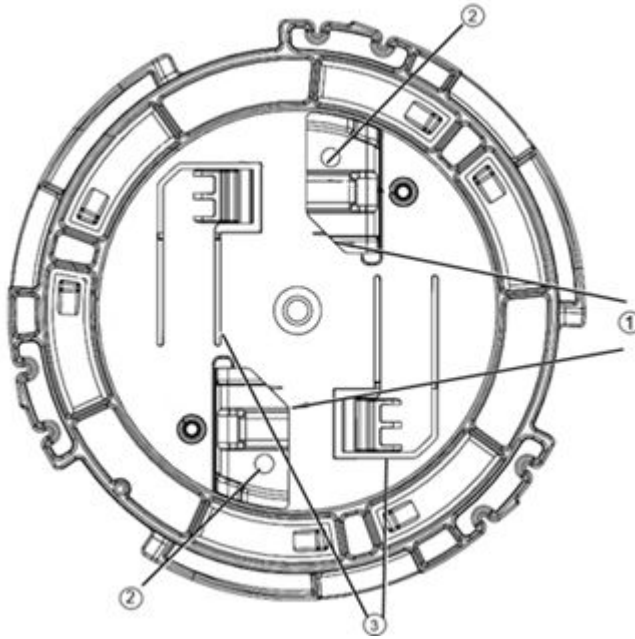


Figure 2: AH-ACC-BKT-AX-TB bracket

Callout	Description
1	Metal angled cuts
2	Wall mount holes
3	White tab

- Rotate the bracket clockwise until the metal angled cuts on the back of the bracket hook over the edge of the ceiling rail and the white tabs click in place.



Note

There are two white tabs in the back of the bracket that holds on to the ceiling rail in place. Use your finger to push and unhook one side of the white tab if you want to remove the accessory from the ceiling rail.

- Attach the Ethernet port cap to the access point Ethernet port.
- Align the red dot on the back of the access point against the red dot on the bracket.



Note

The bracket has a center circular tip that fits into the circular dip on the back of the access point.

6. Press and rotate the access point 1/8th turn clockwise until it clicks into place on the bracket.

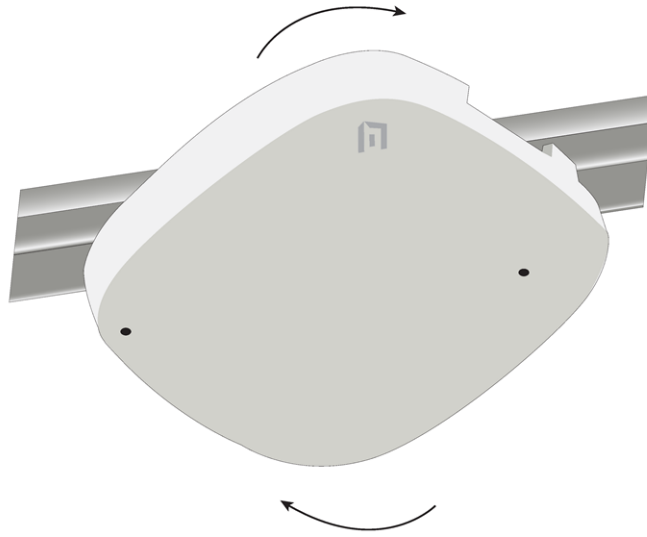


Figure 3: AP4000 standard ceiling install

7. Attach the Cat6 RJ45 cable to the Eth0 or Eth1 port.
8. Place the cable cover over the Ethernet cable.
9. Replace the ceiling tiles.

Install the Access Point on a Wall or a Solid Surface Using the AH-ACC-BKT-AX-TB Bracket

Install the access point on a wall or a solid surface using the AH-ACC-BKT-AX-TB bracket and the appropriate mounting hardware.

Before You Begin

Hardware requirements for installation:

- One AP4000 access point
- One AH-ACC-BKT-AX-TB bracket
- Two screws
- Two anchors, if needed

About This Task

The access point can be installed on a wall or a solid surface using the AH-ACC-BKT-AX-TB bracket paired with two screws and screw-in anchors, if needed.

To install the access point:

Procedure

1. Place the AH-ACC-BKT-AX-TB bracket on a wall or a solid surface, and mark and drill two mounting holes.

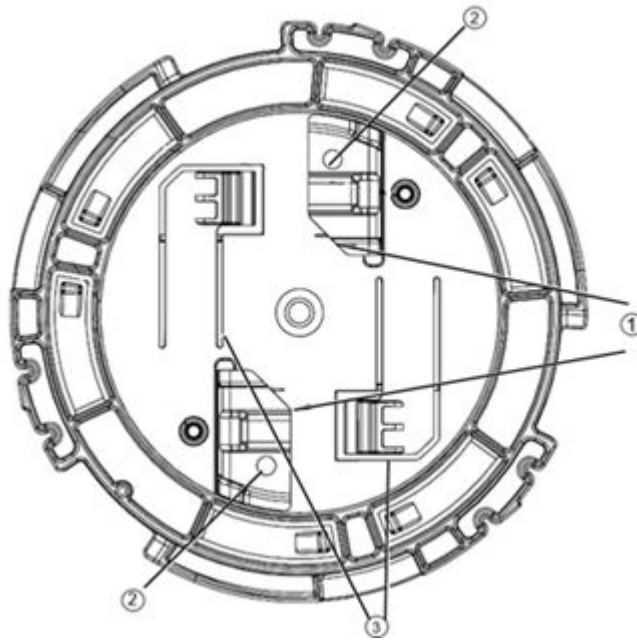


Figure 4: AH-ACC-BKT-AX-TB bracket with wall mounting holes

Callout	Description
1	Metal angled cuts
2	Wall mount holes
3	White tab

2. Attach the bracket to the wall using two screws.
Use screw in anchors, if needed.
3. Attach the Ethernet port cap to the access point Ethernet port.
4. Align the red dot on the back of the access point against the red dot on the bracket.



Note

The bracket has a center circular tip that fits into the circular dip on the back of the access point.

5. Press and rotate the access point 1/8th turn clockwise until it clicks into place on the bracket.
6. Attach the Cat6 RJ45 cable to the Eth0 or Eth1 port.
7. Place the cable cover over the Ethernet cable.

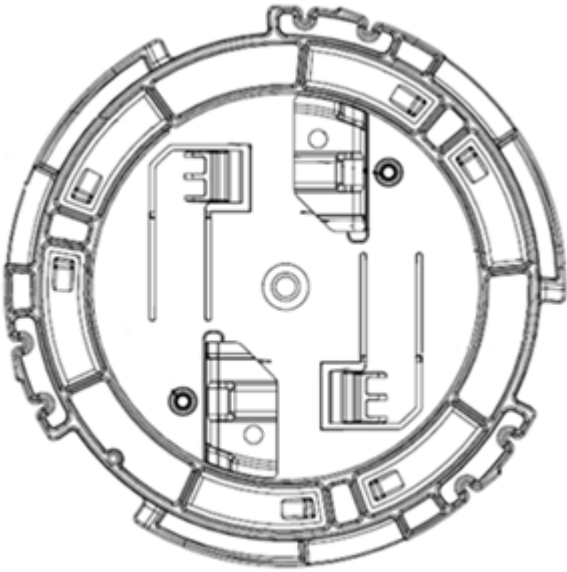
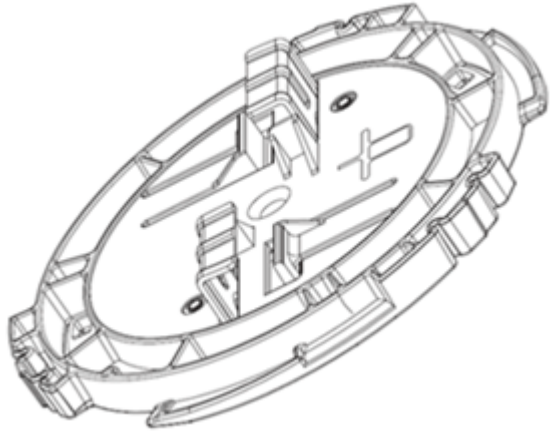
Non-Standard Ceiling Grid or Wall Installation

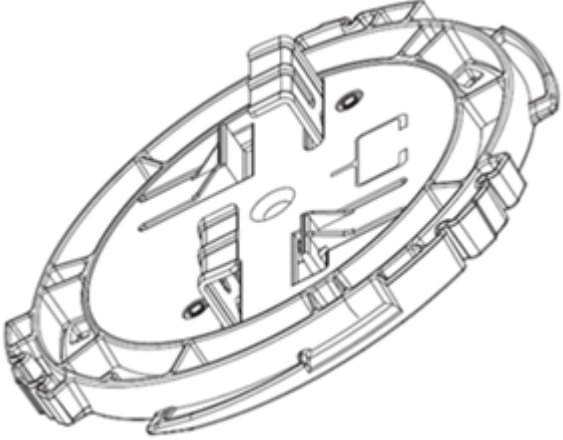
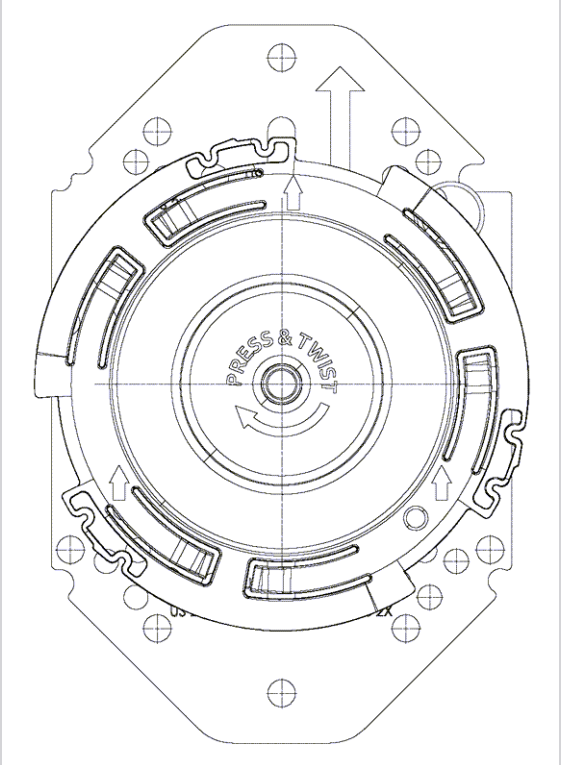


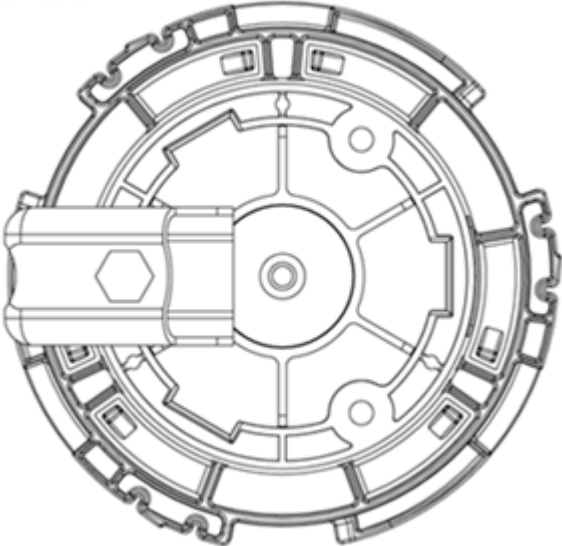
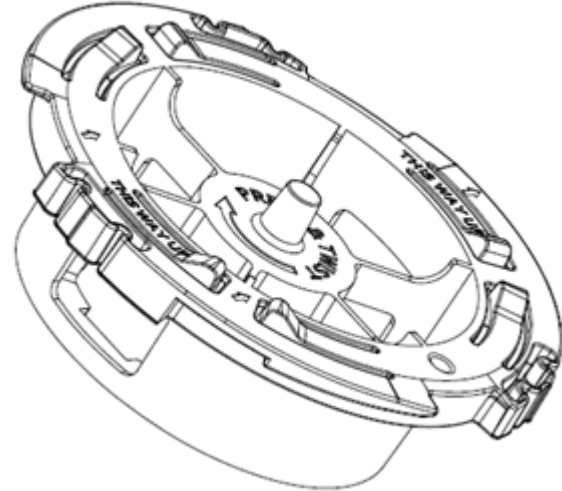
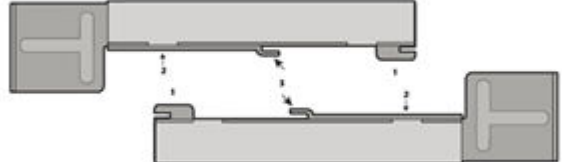
Note

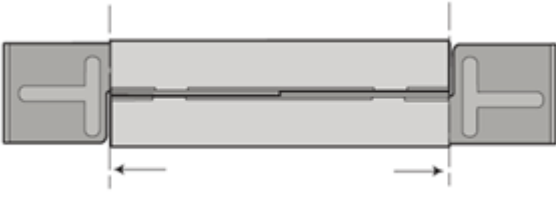
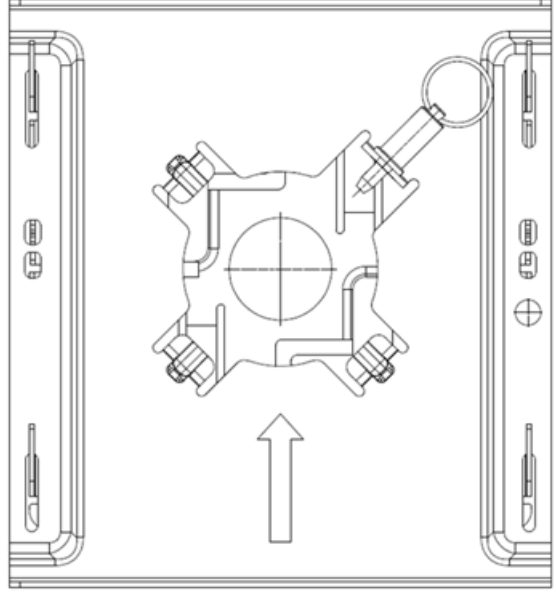
For all non-standard ceiling grid installation or wall installation instructions, refer to the [Wi-Fi 6 802.11ax Access Points Accessories Guide](#).

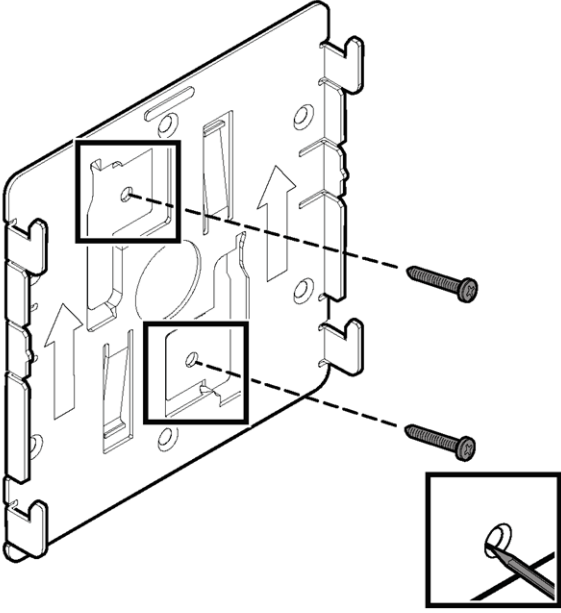
The access point can be installed on a non-standard ceiling grid using the following accessories:

Order part number	Description
<p>AH-ACC-BKT-AX-TB</p> <p>Note: Only this bracket is included with the access point</p>	<p>Mounting bracket for 15/16 in. or 9/16 flat, T-bar ceiling grid, walls or solid surfaces with the associated screws and anchors</p> 
<p>AH-ACC-BKT-AX-IL</p>	<p>Mounting bracket for 9/16 in. wide T-bar with protrusion</p> 

Order part number	Description
AH-ACC-BKT-AX-SL	<p>Mounting bracket for ceiling grids with a bottom opening of 1/8 in. to 1/4 in. wide (Armstrong ceiling model type Silhouette)</p> 
ACC-BKT-AX-JB	<p>Junction box or wall mounting for indoor access points</p> 

Order part number	Description
ACC-BKT-AX-BEAM	Beam mounting for indoor access points 
AH-ACC-BKT-AX-WL	Mounting bracket for direct-to-wall installations. Provides a gap from the wall that is about 1/4 in. 
AH-ACC-BKT-916-KIT	9/16 in. ceiling mount brackets for non-flat and protruded ceiling tiles. Use with AH-ACC-BKT-AX-TB 

Order part number	Description
ACC-BKT-TB-NF	<p>Adapter bracket for use with AH-ACC-BKT-TB with 15/16 in. wide T-bars on non-flat or protruded ceiling tiles</p> 
ACC-BKT-AX-WNGADAPT	<p>Adapter bracket for use with cloud access point that has an existing WiNG mounting plate (#37201)</p>  <p>Figure 5: ACC-BKT-AX-WNGADAPT adapter bracket</p>

Order part number	Description
	 <p data-bbox="906 974 1438 1003">Figure 6: WiNG metal bracket (#37201)</p>



Important

The default bracket for wall installation is the ACC-BKT-AX-TB bracket.



Note

The AH-ACC-BKT-AX-WL bracket is generally for users who already have the -WL brackets.

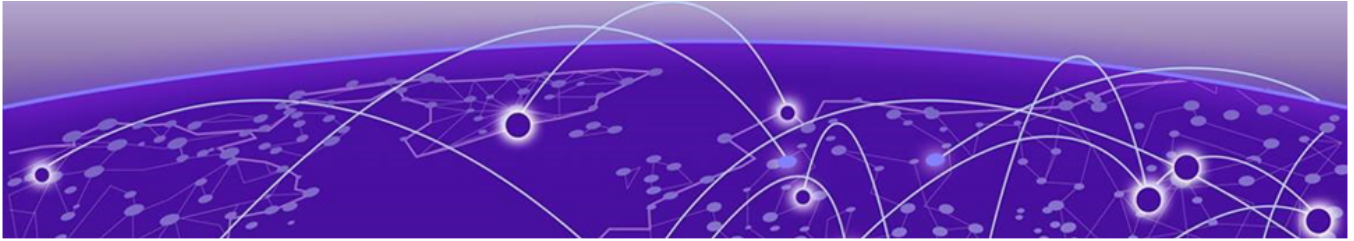
Related Topics

https://documentation.extremenetworks.com/wireless/Accessories_Guide

Lock the Access Point after Installation

Learn how to lock the indoor access point using a Kensington lock.

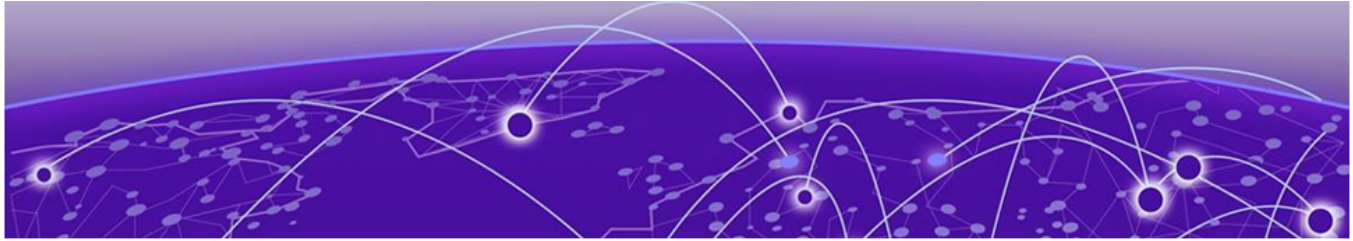
If you are using an indoor access point, you can secure it by using the Kensington lock on the side of the access point. The security feature is used to prevent the access point from being removed from the mounting accessory.



Internal Antenna Information

The access point has internal antennas:

- 2 dual-band 2.4/5G antennas
- 2 6G band antennas
- 2 scanning 2.4/5G/6G antennas
- 1 BLE antenna
- 1 UWB antenna (for AP4000U only)



Regulatory and Compliance Information

[Safety Guidelines](#) on page 23

[Federal Communications Commission \(FCC\) Notice](#) on page 23

[Japan Indoor Use Statement](#) on page 24

[Japan Voluntary Control Council for Interference \(VCCI\) - Class B](#) on page 24

[European Union \(EU\) Radiation Warning Statement](#) on page 24

[Brazil Agência Nacional De Telecomunicações \(Anatel\) Statement](#) on page 25

[Mexico Compliance Statement](#) on page 25

[UK Statement and CE Statement](#) on page 25

[Industry Canada Statement](#) on page 26

[Taiwan Regulatory Statement](#) on page 28

[Hazardous Substances](#) on page 28

[European Waste Electrical and Electronic Equipment \(WEEE\) Notice](#)
on page 29

[Supplement to Product Instructions](#) on page 29

[Declaration of Conformity in Languages of the European Community](#)
on page 30

Learn about safety guidelines, compliance notices, and regulatory information pertaining to various countries in which the device can be used.

Safety Guidelines

Learn about the safety guidelines that are intended to protect your personal safety and prevent damage to the equipment.



Important

Only qualified personnel must perform installation procedures. Within the context of the safety notes in this documentation, qualified persons are defined as persons who are authorized to commission grounding, and label devices, systems, and circuits in accordance with established safety practices and standards. A qualified person understands the requirements and risks involved with installing the electrical equipment in accordance with national codes.

Federal Communications Commission (FCC) Notice

This equipment has been tested and found to comply with the limits for a Class B digital device, pursuant to Part 15 of the FCC Rules. These limits are designed to provide reasonable protection against

harmful interference in a residential installation. This equipment generates, uses and can radiate radio frequency energy and, if not installed and used in accordance with the instructions, may cause harmful interference to radio communications. However, there is no guarantee that interference will not occur in a particular installation. If this equipment does cause harmful interference to radio or television reception, which can be determined by turning the equipment off and on, the user is encouraged to try to correct the interference by one of the following measures:

- Reorient or relocate the receiving antenna.
- Increase the separation between the equipment and receiver.
- Connect the equipment into an outlet on a circuit different from that to which the receiver is connected.
- Consult the dealer or an experienced radio/TV technician for help.

**Caution**

Any changes or modifications not expressly approved by the party responsible for compliance could void the user's authority to operate this equipment.

This device is restricted for indoor use. This equipment may only be operated indoors. Operation outdoors is in violation of 47 U.S.C. 301 and could subject the operator to serious legal penalties. The operation of this device is prohibited on oil platforms, cars, trains, boats, and aircraft, except that operation of this device is permitted in large aircraft while flying above 10,000 feet.

Operation of transmitters in the 5.925-7.125 GHz band is prohibited for control of or Communications with unmanned aircraft systems.

**Warning**

FCC Radiation Exposure Statement: This equipment complies with FCC radiation exposure limits set forth for an uncontrolled environment. This equipment should be installed and operated with minimum distance of 25 cm between the radiator and your body.

Japan Indoor Use Statement

For Japan, the AP4000 access point is restricted for indoor use in the 5150-5350 MHz band only.

Japan Voluntary Control Council for Interference (VCCI) - Class B

この装置は、クラスB情報技術装置です。この装置は、家庭環境で使用することを目的としていますが、この装置がラジオやテレビジョン受信機に近接して使用されると、受信障害を引き起こすことがあります。

取扱説明書に従って正しい取り扱いをして下さい。

VCCI-B

European Union (EU) Radiation Warning Statement

Brazil Agência Nacional De Telecomunicações (Anatel) Statement

Details about certification from Brazil's local authority Agência Nacional De Telecomunicações (Anatel) for access point usage in Brazil.

Este produto está homologado pela Anatel, de acordo com os procedimentos regulamentados e atende aos requisitos técnicos aplicados.

Este equipamento não tem direito à proteção contra interferência prejudicial e não pode causar interferência em sistemas devidamente autorizados. Para maiores informações, consulte o site da Anatel – www.anatel.gov.br

Mexico Compliance Statement

Details about compliance conditions for device use in Mexico.

La operación de este equipo está sujeta a las siguientes dos condiciones

1. es posible que este equipo o dispositivo no cause interferencia perjudicial y
2. este equipo o dispositivo debe aceptar cualquier interferencia, incluyendo la que pueda causar su operación no deseada.

The operation of this equipment is subject to the following two conditions:

1. it is possible that this equipment or device does not cause disruptive interference and
2. this equipment or device must accept any interference, including interference that may cause undesired operation.

UK Statement and CE Statement

This equipment complies with the UK and EEA radiation exposure limits set forth for an uncontrolled environment. This equipment should be installed and operated with minimum distance of 20 cm between the radiator and your body.

The frequency and the maximum transmitted power in the UK and European Conformity are listed below:

- 2402-2480MHz (LE): 9.63 dBm
- 2405-2480MHz: 9.81 dBm
- 2412-2472MHz: 19.96 dBm
- 5180-5240MHz: 22.95 dBm
- 5260-5320MHz: 22.98 dBm
- 5500-5700MHz: 22.98 dBm
- 5745-5825 MHz: 22.98 dBm
- 5955-6415MHz: 22.97 dBm
- 6489.6-7987.2MHz: -41.58 dBm/RBW (for AP4000U only)

The device is restricted to indoor use only when operating in the 5925 to 6425 MHz frequency range.

Hereby, Extreme Networks declares that the radio equipment AP4000 is in compliance with Radio Equipment Regulations 2017.

Extreme Networks UK Address

Extreme Networks, UK Ltd.

250 Longwater Avenue Green Park

1st Floor

Reading, UK

Industry Canada Statement

Industry Canada indoor warning

**Warning**

For indoor use only.

Pour une utilisation en intérieur uniquement.

**Warning**

This device is restricted for indoor use.

This device complies with Innovation, Science and Economic Development (ISED) Canada's licence-exempt RSSs. Operation is subject to the following two conditions: (1) this device may not cause harmful interference, and (2) this device must accept any interference received, including interference that may cause undesired operation.

Le présent appareil est conforme aux CNR d'ISED applicables aux appareils radio exempts de licence. L'exploitation est autorisée aux deux conditions suivantes : (1) le dispositif ne doit pas produire de brouillage préjudiciable, et (2) ce dispositif doit accepter tout brouillage reçu, y compris un brouillage susceptible de provoquer un fonctionnement indésirable.

**Warning****IC Radiation Exposure Statement:**

This equipment complies with IC RSS-102 radiation exposure limits set forth for an uncontrolled environment. This equipment should be installed and operated with minimum distance of 27 cm between the radiator and your body.

**Warning****Déclaration d'exposition aux radiations:**

Cet équipement est conforme aux limites d'exposition aux rayonnements IC établies pour un environnement non contrôlé. Cet équipement doit être installé et utilisé avec un minimum de 27 cm de distance entre la source de rayonnement et votre corps.

**Caution**

The device for operation in the band 5150-5250 MHz is only for indoor use to reduce the potential for harmful interference to co-channel mobile satellite systems.

les dispositifs fonctionnant dans la bande 5150-5250 MHz sont réservés uniquement pour une utilisation à l'intérieur afin de réduire les risques de brouillage préjudiciable aux systèmes de satellites mobiles utilisant les mêmes canaux.

This radio transmitter [IC: 4141B-AP4000] has been approved by Innovation, Science and Economic Development Canada to operate with the antenna types listed in Extreme Wireless AP4000 Access Point Installation Guide, with the maximum permissible gain indicated. Antenna types not included in this list that have a gain greater than the maximum gain indicated for any type listed are strictly prohibited for use with this device.

Le présent émetteur radio [IC: 4141B-AP4000] a été approuvé par Innovation, Sciences et Développement économique Canada pour fonctionner avec les types d'antenne répertoriés dans le Guide d'installation des points d'accès sans fil extrêmes AP4000, avec le un gain admissible maximal. Les types d'antenne non inclus dans cette liste, et dont le gain est supérieur au gain maximal indiqué pour tout type figurant sur la liste, sont strictement interdits pour l'exploitation de l'émetteur.

This device complies with Part 15 of the FCC Rules. Operation is subject to the following two conditions: (1) This device may not cause harmful interference, and (2) this device must accept any interference received, including interference that may cause undesired operation. This transmitter must not be co-located or operating in conjunction with any other antenna or transmitter.

Taiwan Regulatory Statement

臺灣

低功率電波輻射性電機管理辦法

第十二條

經型式認證合格之低功率射頻電機，非經許可，公司、商號或使用者均不得擅自變更頻率、加大功率或變更原設計之特性及功能。

第十四條

低功率射頻電機之使用不得影響飛航安全及干擾合法通信；經發現有干擾現象時，應立即停用，並改善至無干擾時方得繼續使用。

前項合法通信，指依電信規定作業之無線電通信。

低功率射頻電機須忍受合法通信或工業、科學及醫療用電波輻射性電機設備之干擾。

無線接入點 (專業安裝)

1. 「本公司於說明書中提供所有必要資訊以指導使用者/安裝者正確的安裝及操作」警語。

並於該中文使用說明書及器材上標示

2. 「本器材須經專業工程人員安裝及設定，始得設置使用，且不得直接販售給一般消費者」警語。

「不致造成違反低功率電波輻射性電機管理法之所有控制、調整及開關之使用方法」。

「對任何可能造成違反管理法規定之調整予以警告，或建議由具有發射機維修專長之技術人員執行或由其直接監督及負責」。

「對任何可能造成違反管理法之零件(晶體、半導體等)置換之警告」。

「電磁波曝露量MPE標準值 $1\text{mW}/\text{cm}^2$ ，本產品使用時建議應距離人體：35 cm」。

Hazardous Substances

This product complies with the requirements of Directive 2011/65/EU and its amendments of the European Parliament and of the Council of 8 June 2011 on the restriction of the use of certain hazardous substances in electrical and electronic equipment.

European Waste Electrical and Electronic Equipment (WEEE) Notice



In accordance with Directive 2012/19/EU of the European Parliament on waste electrical and electronic equipment (WEEE):

1. The symbol above indicates that separate collection of electrical and electronic equipment is required.
2. When this product has reached the end of its serviceable life, it cannot be disposed of as unsorted municipal waste. It must be collected and treated separately.
3. It has been determined by the European Parliament that there are potential negative effects on the environment and human health as a result of the presence of hazardous substances in electrical and electronic equipment.
4. It is the user's responsibility to utilize the available collection system to ensure WEEE is properly treated.

For information about the available collection system, please contact Extreme Environmental Compliance at Green@extremenetworks.com.

Supplement to Product Instructions

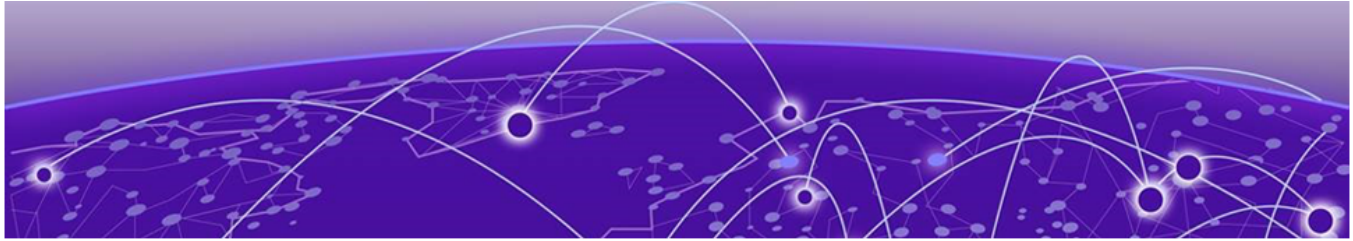
單元 Unit	限用物質及其化學符號 Restricted substances and its chemical symbols					
	鉛Lead (Pb)	汞Mercury (Hg)	鎘Cadmium (Cd)	六價鉻 Hexavalent chromium (Cr ⁺⁶)	多溴聯苯 Polybrominated biphenyls (PBB)	多溴二苯醚 Polybrominated diphenyl ethers (PBDE)
金屬零件 (Metal Parts)	○	○	○	○	○	○
電路模組 (Circuit Modules)	—	○	○	○	○	○
電纜及電纜組件 (Cables & Cable Assemblies)	○	○	○	○	○	○
塑料和聚合物零件 (Plastic and Polymeric parts)	○	○	○	○	○	○
備考1. “超出0.1 wt %”及“超出0.01 wt %”係指限用物質之百分比含量超出百分比含量基準值。 Note 1 : “Exceeding 0.1 wt %” and “exceeding 0.01 wt %” indicate that the percentage content of the restricted substance exceeds the reference percentage value of presence condition. 備考2. “○”係指該項限用物質之百分比含量未超出百分比含量基準值。 Note 2 : “○” indicates that the percentage content of the restricted substance does not exceed the percentage of reference value of presence. 備考3. “—”係指該項限用物質為排除項目。 Note 3 : The “—” indicates that the restricted substance corresponds to the exemption.						

Declaration of Conformity in Languages of the European Community

English	Hereby, Extreme Networks declares that the radio equipment type (AP4000) is in compliance with Directive 2014/53/EU. For full text of the EU Declaration of Conformity, contact Extreme Regulatory Compliance at compliancerequest@extremenetworks.com
Finnish	Valmistaja Extreme Networks vakuuttaa täten että Radio LAN device (AP4000) tyyppinen laite on direktiivin 2014/53/EU oleellisten vaatimusten ja sitä koskevien direktiivin muiden ehtojen mukainen. EU-vaatimustenmukaisuusvaatimuksen täydellisestä tekstistä ota yhteyttä äärimmäisiin säädösten noudattamiseen osoitteessa compliancerequest@extremenetworks.com
Dutch	Hierbij verklaart Extreme Networks dat het toestel Radio LAN device (AP4000) in overeenstemming is met de essentiële eisen en de andere relevante bepalingen van richtlijn 2014/53/EU. Neem voor de volledige tekst van de EU-conformiteitsverklaring u contact opnemen met extreme regelgeving op compliancerequest@extremenetworks.com
French	Par la présente Extreme Networks déclare que l'appareil Radio LAN device (AP4000) est conforme aux exigences essentielles et aux autres dispositions pertinentes de la directive 2014/53/EU. Pour obtenir le texte intégral du processus de Déclaration de la conformité de l'UE, veuillez contacter la conformité réglementaire extrême à l'adresse suivante: compliancerequest@extremenetworks.com
Swedish	Härmed intygar Extreme Networks att radioutrustningstypen AP4000 överensstämmer med de väsentliga egenskapskrav och övriga relevanta bestämmelser som framgår av direktiv 2014/53/ EU. För fullständig text av EU-försäkran om överensstämmelse, kontakta Extreme regelefterlevnad på compliancerequest@extremenetworks.com
Danish	Undertegnede Extreme Networks erklærer herved, at følgende udstyr Radio LAN device (AP4000) overholder de væsentlige krav og øvrige relevante krav i direktiv 2014/53/EU. For den fulde ordlyd af EU-overensstemmelseserklæringen bedes du kontakte Extreme Regulatory Compliance på compliancerequest@extremenetworks.com

German	Hiermit erklärt Extreme Networks die Übereinstimmung des "WLAN Wireless Controller bzw. Access Points" (AP4000) mit den grundlegenden Anforderungen und den anderen relevanten Festlegungen der Richtlinie 2014/53/EU. Für den vollständigen Wortlaut der EU-Konformitätserklärung wenden Sie sich bitte an extreme Regulatory Compliance unter compliancerequest@extremenetworks.com
Greek	ΜΕ ΤΗΝ ΠΑΡΟΥΣΑ Extreme Networks ΔΗΛΩΝΕΙ ΟΤΙ Radio LAN device (AP4000) ΣΥΜΜΟΡΦΩΝΕΤΑΙ ΠΡΟΣ ΤΙΣ ΟΥΣΙΩΔΕΙΣ ΑΠΑΙΤΗΣΕΙΣ ΚΑΙ ΤΙΣ ΛΟΙΠΕΣ ΣΧΕΤΙΚΕΣ ΔΙΑΤΑΞΕΙΣ ΤΗΣ ΟΔΗΓΙΑΣ 2014/53/EU. Για το πλήρες κείμενο της δήλωσης συμμόρφωσης ΕΕ, παρακαλούμε επικοινωνήστε με την ακραία κανονιστική συμμόρφωση στο compliancerequest@extremenetworks.com
Icelandic	Extreme Networks lýsir her með yfir að thessi bunadur, Radio LAN device (AP4000), uppfyllir allar grunnkröfur, sem gerðar eru í R&TTE tilskipun ESB nr 2014/53/EU. Fyrir fullan texta í ESB yfirlýsingu um samræmi, vinsamlegast hafðu samband við Extreme Regluglyfni á compliancerequest@extremenetworks.com
Italian	Con la presente Extreme Networks dichiara che questo Radio LAN device (AP4000) è conforme ai requisiti essenziali ed alle altre disposizioni pertinenti stabilite dalla direttiva 2014/53/EU. Per il testo integrale della Dichiarazione di conformità dell'UE, contattare Extreme Regulatory Compliance presso compliancerequest@extremenetworks.com
Spanish	Por medio de la presente Extreme Networks declara que el Radio LAN device (AP4000) cumple con los requisitos esenciales y cualesquiera otras disposiciones aplicables o exigibles de la Directiva 2014/53/EU. Para obtener el texto completo de la Declaración de conformidad de la UE, póngase en contacto con Extreme Regulatory Compliance en compliancerequest@extremenetworks.com

Portuguese	Extreme Networks declara que este Radio LAN device (AP4000) está conforme com os requisitos essenciais e outras disposições da Directiva 2014/53/EU. Para o texto integral da declaração de conformidade da UE, contacte a conformidade regulamentar extrema em compliancerequest@extremenetworks.com
Malti	Hawnhekk, Extreme Networks, jiddikjara li dan Radio LAN device (AP4000) jikkonforma mal-htigijiet essenzjali u ma provvedimenti oħrajn rilevanti li hemm fid-Dirrettiva 2014/53/EU. Għat-test sħiħ tad-dikjarazzjoni ta' konformità tal-UE, jekk jogħġbok ikkuntattja lill-konformità regolatorja compliancerequest@extremenetworks.com



Index

A

- access point lock
 - Kensington lock 21
 - security bracket 21
 - security torx 21
- access point overview 8
- announcements 6

B

- box contents
 - AH-ACC-BKT-AX-TB bracket 12
 - AP4000 access point 12
 - quick reference guide 12

C

- CE statement 25
- conventions
 - notice icons 4
 - text 4

D

- documentation
 - feedback 6
 - location 5

E

- EU warning 24

F

- FCC statement 23
- features 8, 10
- feedback 6

I

- industry Canada statement 26
- install the access point 12
- internal antennas 22

J

- Japan class B statement 24
- Japan indoor use 24

M

- Mexico compliance statement 25

N

- non-standard ceiling install
 - ACC-BKT-AX-WNGADAPT 17
 - ACC-BKT-TB-NF 17
 - accessory information 17
 - AH-ACC-BKT-916-KIT 17
 - AH-ACC-BKT-AX-IL accessory 17
 - AH-ACC-BKT-AX-SL accessory 17
 - AH-ACC-BKT-AX-TB accessory 17
- notices 4

P

- power profile
 - power draw 10
- product announcements 6

R

- regulatory information, hazardous Substances 28
- Restriction of Hazardous Substances information 29

S

- safety guidelines 23
- solid surface installation 15
- standard ceiling install 13
- Status LED 11
- support, see technical support

T

- technical support
 - contacting 6

U

- UK statement 25

W

- wall installation 15
- warnings 4