



Questo manuale d'istruzione è fornito da trovaprezzi.it. Scopri tutte le offerte per [Gigabyte GS27F](#) o cerca il tuo prodotto tra le [migliori offerte di Monitor](#)



Questo manuale d'istruzione è fornito da trovaprezzi.it. Scopri tutte le offerte per [Gigabyte GS27F](#) o cerca il tuo prodotto tra le [migliori offerte di Monitor](#)

# GIGABYTE™

## GAMING MONITOR

---

### GS SERIES USER GUIDE

GS27F / GS27Q / GS32Q

# Copyright

© 2023 GIGA-BYTE TECHNOLOGY CO., LTD. All rights reserved.

The trademarks mentioned in this manual are legally registered to their respective owners.

## Disclaimer

Information in this manual is protected by copyright laws and is the property of GIGABYTE.

Changes to the specifications and features in this manual may be made by GIGABYTE without prior notice.

No part of this manual may be reproduced, copied, translated, transmitted, or published in any form or by any means without GIGABYTE's prior written permission.

- In order to assist in the use of this monitor, carefully read the User Guide
- For more information, check on our website at:  
<https://www.gigabyte.com>



The terms HDMI, HDMI High-Definition Multimedia Interface, HDMI Trade Dress and the HDMI Logos are trademarks or registered trademarks of HDMI Licensing Administrator, Inc.

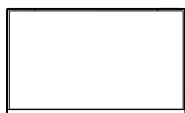
# CONTENTS

<b>INTRODUCTION</b> .....	<b>4</b>
Package Contents .....	4
Product Overview .....	5
<b>GETTING STARTED</b> .....	<b>6</b>
Installing the Stand Base .....	6
Cable Management .....	7
Adjusting the Viewing Angle .....	8
Installing a Wall-Mount Bracket (Optional) .....	9
<b>USING THE DEVICE</b> .....	<b>10</b>
Turning the Power On/Off .....	10
Selecting the Input Source .....	11
<b>OPERATIONS</b> .....	<b>11</b>
Quick Menu .....	11
Function Key Guide .....	13
<b>APPENDICES</b> .....	<b>22</b>
Specifications .....	22
Supported Timing List .....	23
Troubleshooting .....	24
Basic Care .....	24
GIGABYTE Service Information .....	24
<b>SAFETY INFORMATION</b> .....	<b>25</b>
Safety Precautions .....	25
Stability Hazard Precautions .....	26
User Comfort Recommendations .....	26
<b>REGULATORY INFORMATION</b> .....	<b>27</b>

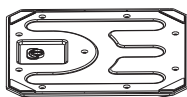
# INTRODUCTION

## Package Contents

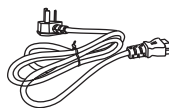
The following items come with your packaging box. If any of them is missing, please contact your local dealer.



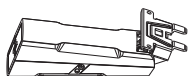
Monitor



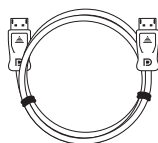
Monitor Base



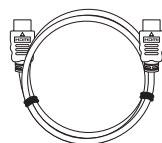
Power Cable



Stand



DP Cable  
(GS27Q/GS32Q)



HDMI Cable  
(GS27F)



Quick Start Guide

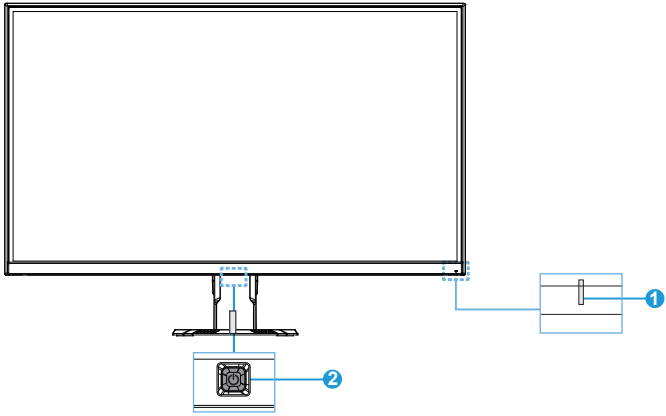


Warranty Card

**Note:** Please keep the packaging box and packing materials for possible transportation of the monitor.

# Product Overview

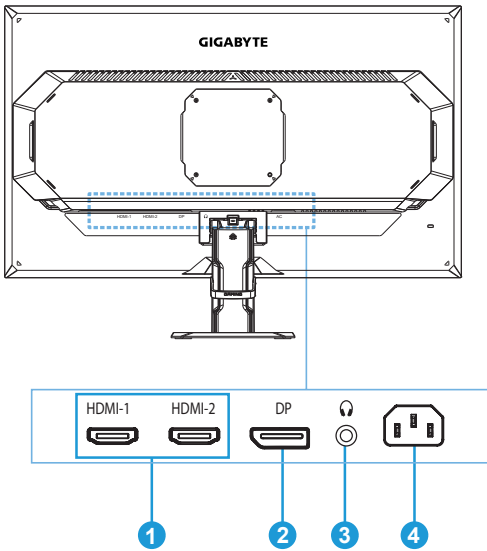
## Front View



1 Power LED

2 Control button

## Rear View



1 HDMI ports (x2)

3 Headphone jack

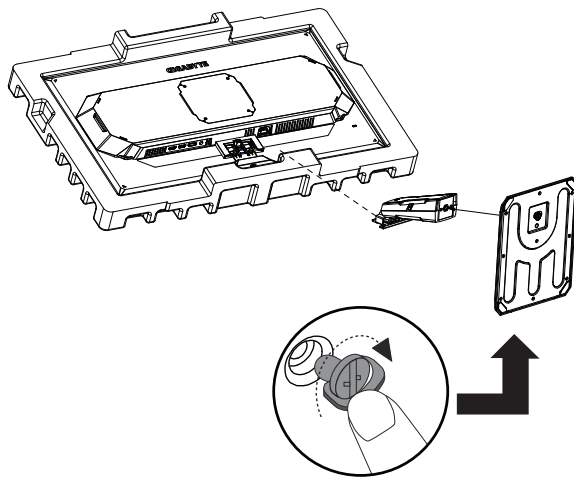
2 DisplayPort

4 AC IN jack

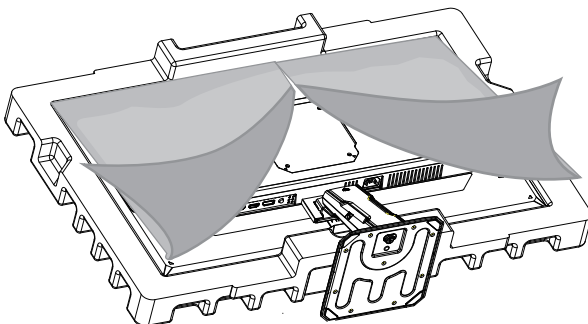
# GETTING STARTED

## Installing the Stand Base

1. Position the monitor face down on a flat surface with its protective foam underneath and with its Styrofoam bag covered.
2. Fit the stand riser and stand base together with a coin, a screwdriver, or the pull ring attached on the stand base.

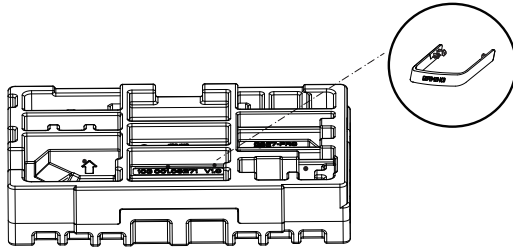


3. Tear apart the Styrofoam bag. Fit the stand riser to the groove on the back of the monitor. Push the stand until it snaps into place.
4. Take the monitor from the protective foam by holding its stand riser. Place it upright on a table.

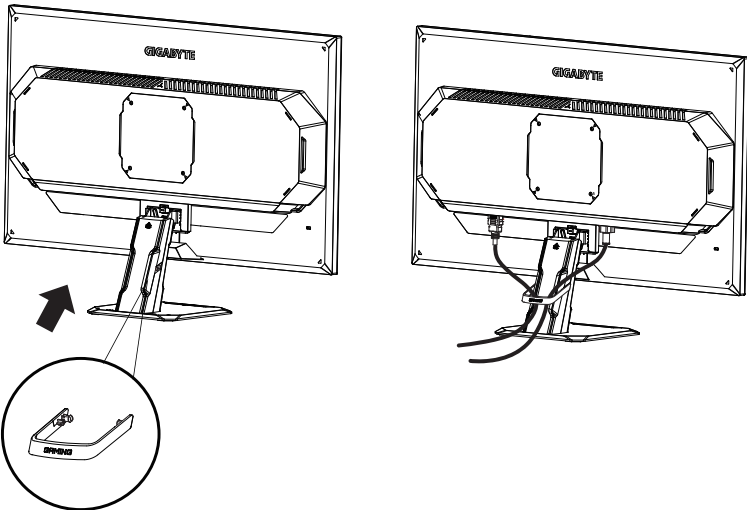


# Cable Management

1. Take out the cable clip from the EPS.

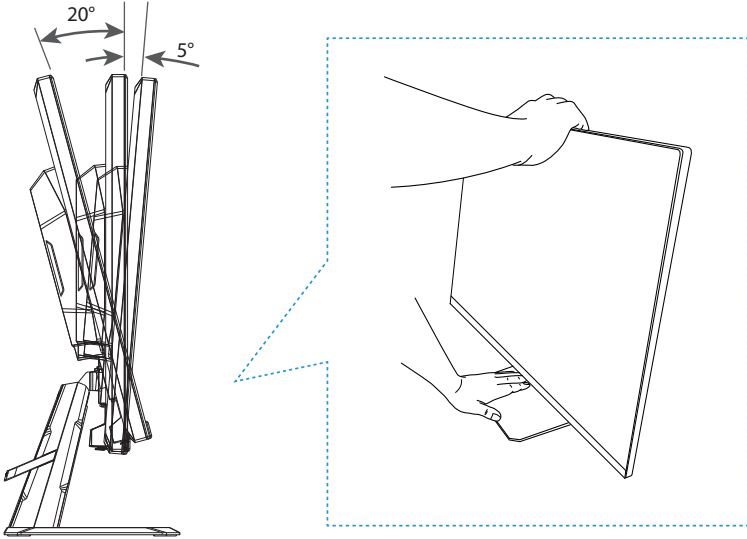


2. Snap the cable clip into the stand, then pass the power cord and the cable through the cable clip in the stand to connect them to the monitor.



# Adjusting the Viewing Angle

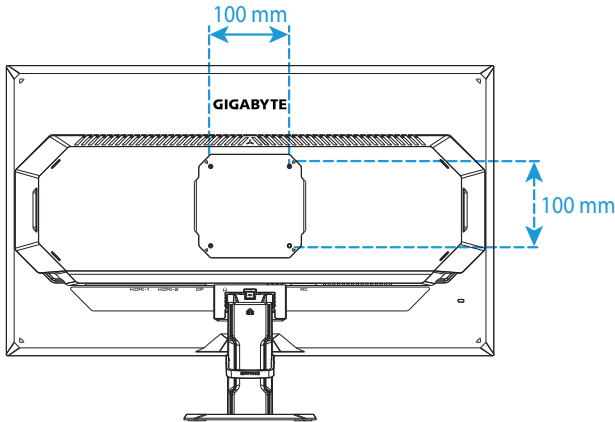
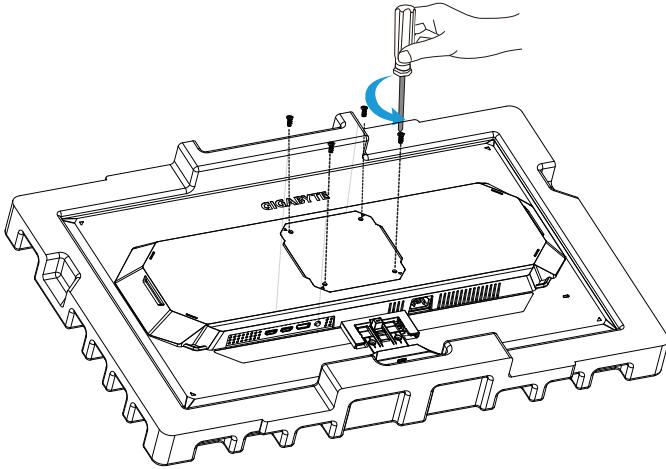
1. Place one hand on the base to prevent the monitor from tipping over during the adjustment.
2. Place the other hand on the top-center of the screen and apply forward or backward pressure to adjust the angle to the desired viewing angle (-5° to 20°).



## Installing a Wall-Mount Bracket (Optional)

Use only 100 x 100 mm compliant wall mount kit. Install the wall mount according to the manufacturer's instructions.

1. Position the monitor face down with its protective foam or with a nonabrasive cloth underneath.
2. Align the wall-mount bracket installation holes with the screw holes on the back of the monitor.
3. Use the screws to secure the bracket in place.



**Note:** To mount the monitor on the wall, refer to the installation guide that is included in the wall-mount bracket kit.

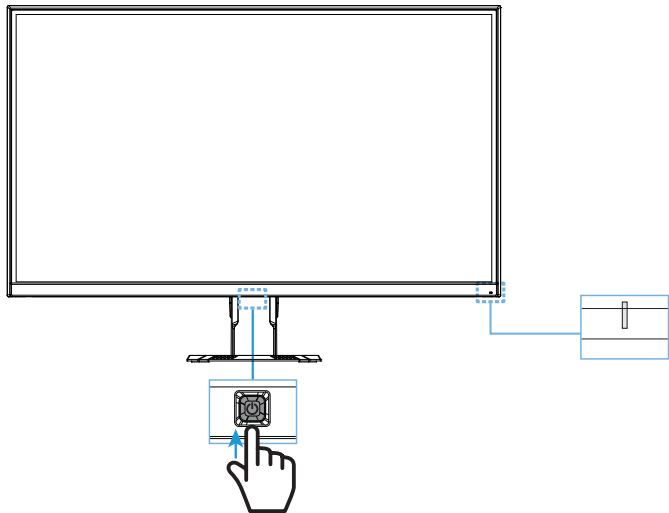
# USING THE DEVICE

## Turning the Power On/Off

Make sure the power switch next to the AC power input jack is switched to **ON**.

### Power On

1. Connect one end of the power cable to the AC IN jack at the rear of the monitor.
2. Connect other end of the power cable to a power outlet.
3. Press the **Control** button to turn on the monitor. The Power LED will light in white, indicating the monitor is ready to use.



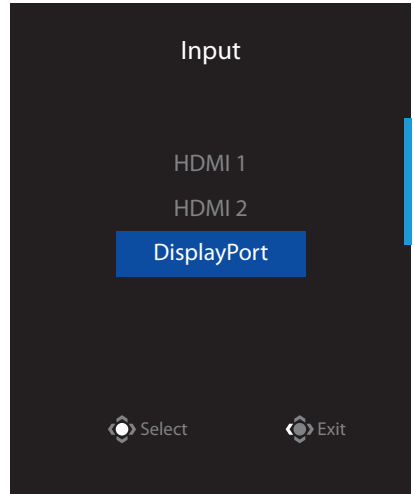
### Power Off

Press the **Control** button for 2 seconds to turn off the monitor.

**Note:** When the **Main** menu appears on the screen, you can also turn off the monitor by moving the **Control** button down (⬇️). Refer to page 13.

## Selecting the Input Source

1. Move the **Control** button right (⬆️) to enter the **Input** menu.
2. Move the **Control** button center (⬆️) to select the desired input source. Then press the **Control** button to confirm.



# OPERATIONS

## Quick Menu

### Hot Key

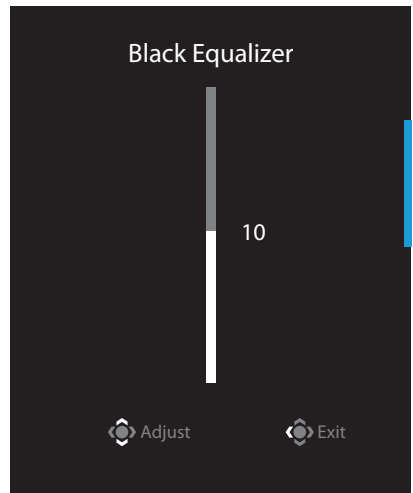
By default, the **Control** button has been assigned with the specific function.

**Note:** To change the preset hot key function, refer to the “Quick Switch” section on page 20.

To access the hot key function, do the following:

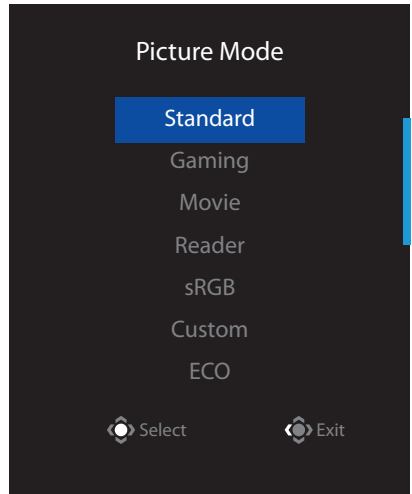
- Move the **Control** button up (⬆️) to enter the **Black Equalizer** menu.

Move the **Control** button up/down (⬆️) to adjust the setting and press the **Control** button to confirm.



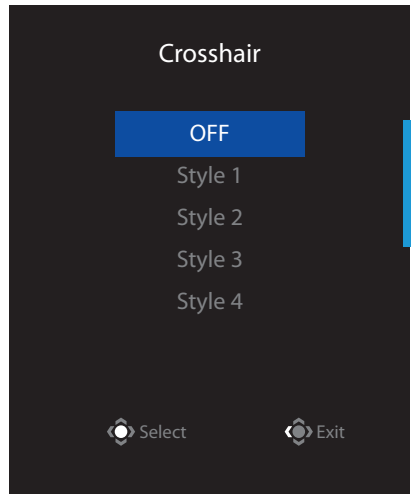
- Move the **Control** button down (⬇️) to enter the **Picture Mode** menu.

Move the **Control** button center (⬆️) to select the desired option and press the **Control** button to confirm.



- Move the **Control** button left (⬅️) to enter the **Crosshair** menu.

Move the **Control** button up/down (⬆️) to select the desired option and press the **Control** button to confirm.

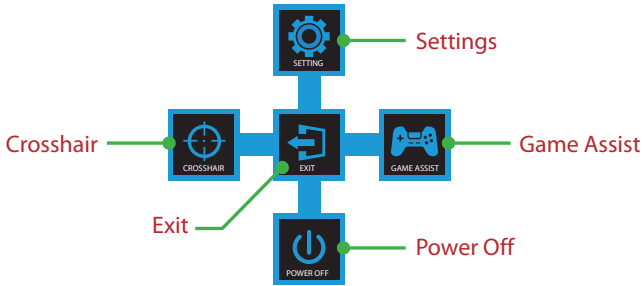


- Move the **Control** button right (⬆️) to enter the **Input** menu. Refer to the "Selecting the Input Source" section.

**Note:** To close the menu, move the **Control** button left (⬅️).

# Function Key Guide

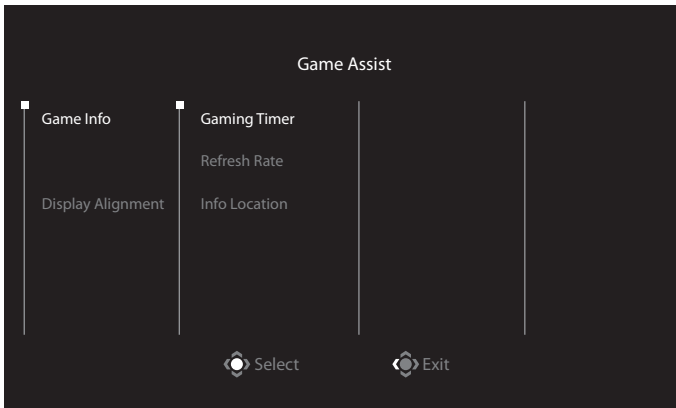
- Press the **Control** button to display the Main menu.



Then use the **Control** button to select the desired function and configure the related settings.

## Game Assist

- When the **Main** menu appears on the screen, move the **Control** button right (➡) to enter the **Game Assist** menu.



- **Game INFO:** Configure the FPS (First Person Shooting) game related settings.
  - ✓ Select **Gaming Timer** to select countdown timer mode. To disable this function, set the setting to **OFF**.
  - ✓ Select **Refresh Rate** to enable/disable real-time refresh rate setting.
  - ✓ Select **Info Location** to specify the location of the information to be shown on the screen.

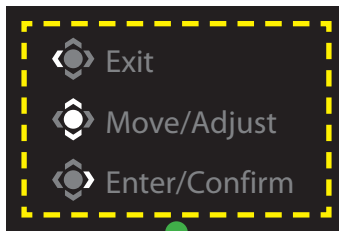


- **Display Alignment:** When the function is enabled, it displays the alignment lines on the four sides of the screen, providing handy tool for you to line up multiple monitors perfectly.

### Configure the Device Settings

When the **Main** menu appears on the screen, move the **Control** button up (⬆️) to enter the **Settings** menu.

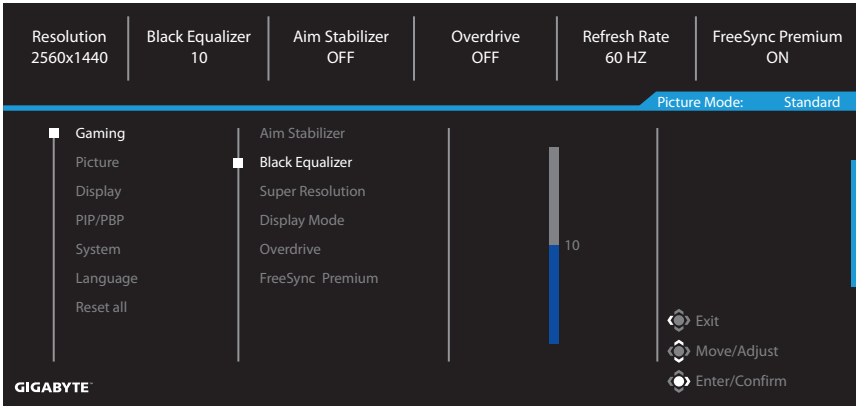
**Note:** Use the **Control** button to navigate through the menu and make adjustments.



Button Guide

## Gaming

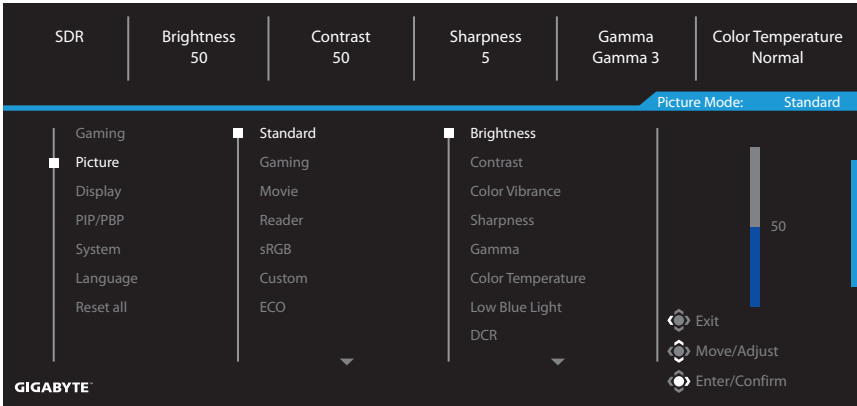
Configure the game related settings.



Item	Description
Aim Stabilizer	When this function is enabled, it reduces the motion blur in a fast moving games. <b>Note:</b> This function is not available under the following conditions: - when the frequency setting is lower than 100Hz. - when the FreeSync Premium function is activated.
Black Equalizer	Adjust the brightness of the black areas.
Super Resolution	Sharpen the low resolution images.
Display Mode	Select the aspect ratio of the screen. <ul style="list-style-type: none"> <li>• Full: Scale the input image to fill the screen. Ideal for 16:9 aspect images.</li> <li>• Aspect: Display the input image without geometric distortion filling as much of the screen as possible.</li> </ul> <b>Note:</b> This option is not compatible with FreeSync Premium and PIP/PBP functions.
Overdrive	Improve the response time of the LCD monitor.
FreeSync Premium	When this function is enabled, it eliminates the screen lag and tearing while playing games.

## Picture

Configure the image related settings.

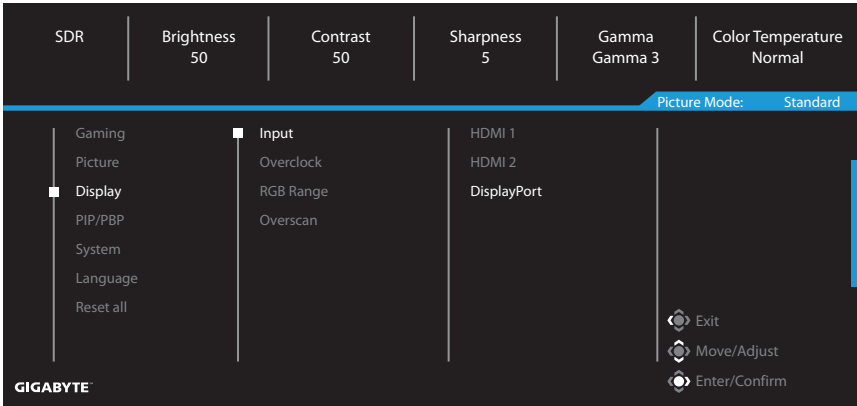


Item	Description
Standard	For editing documents or browsing websites.
Gaming	For playing games.
Movie	For watching movies.
Reader	For viewing documents.
sRGB	For viewing photos and graphics on the computer.
Custom	Customized picture mode settings.
ECO	For Energy saving mode.

**Note:** Picture mode “Standard”, Low blue light “Level 10” is the optimized setting in compliance with TÜV Low Blue Light Certification.

# Display

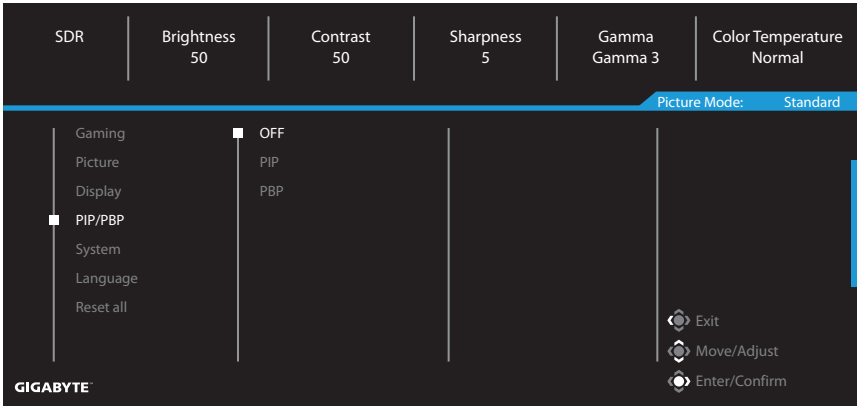
Configure the display screen related settings.



Item	Description
Input	Select the input source.
Overclock	Select ON/OFF (only for GS27Q/GS32Q)
RGB Range	Select an appropriate RGB range setting or let the monitor to detect it automatically. <b>Note:</b> This option is only available for HDMI input.
Overscan	When this function is enabled, it slightly enlarges the input image to hide the outermost edges of the image.

## PIP/PBP (Only for GS27Q/GS32Q)

Configure multi-image related settings.

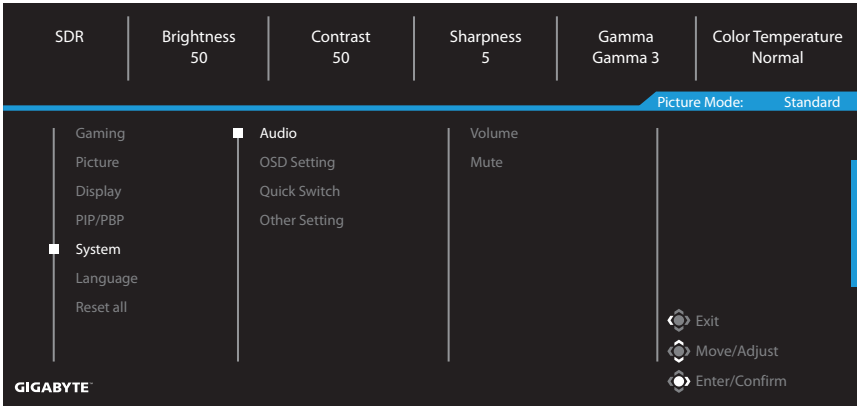


Item	Description
OFF	Disable PIP/PBP function.
PIP	Divide the screen into two parts (main window and inserted window) <ul style="list-style-type: none"><li>• Signal source: Change the input source of the inserted window.</li><li>• PIP size: Adjust size of the inserted window.</li><li>• Position: Move the inserted window to a different position.</li><li>• Display switch: Switch between the two windows.</li><li>• Audio switch: Select the audio source of the desired sound.</li></ul>
PBP	Display 1x1 split screen (with left and right windows). <ul style="list-style-type: none"><li>• Signal source: Change the input source of the right window.</li><li>• PBP size: Adjust size of the window.</li><li>• Display switch: Switch between the two windows.</li><li>• Audio switch: Select the audio source of the desired sound.</li></ul>

**Note:** PIP/PBP is not compatible with HDR and FreeSync Premium functions.

# System

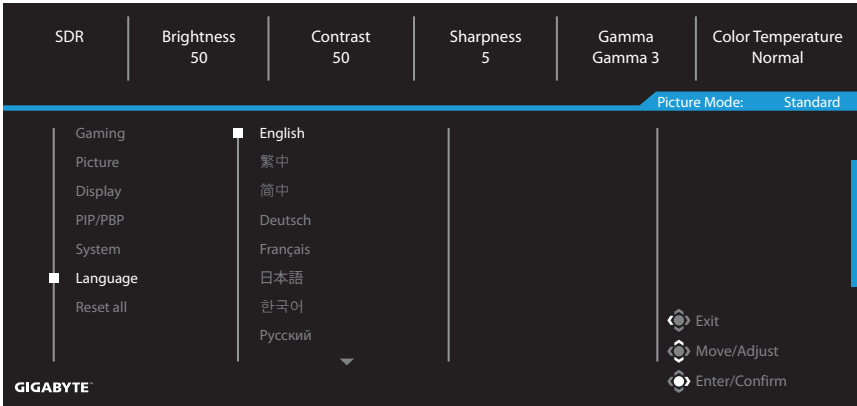
Configure the system related settings.



Item	Description
Audio	Configure the headphone settings. <ul style="list-style-type: none"> <li>• Volume: Adjust the volume level.</li> <li>• Mute: Enable/Disable the mute function.</li> </ul>
OSD Settings	Configure the on-screen display (OSD) menu related settings. <ul style="list-style-type: none"> <li>• Display Time: Set the length of time the OSD menu remains on the screen.</li> <li>• OSD Transparency: Adjust the OSD menu transparency.</li> <li>• OSD Lock: When this function is enabled, no OSD adjustment is allowed.</li> </ul> <p><b>Note:</b> To disable the OSD lock function, press the <b>Control</b> key. When the message appears on the screen, select <b>Yes</b> to confirm.</p> <div data-bbox="455 1031 759 1182" style="background-color: black; color: white; padding: 10px; text-align: center;"> <p>The button is locked, confirm to unlock OSD.</p> <p>No      <span style="background-color: #00aaff; color: white; padding: 2px 10px; border-radius: 5px;">Yes</span></p> </div>

Item	Description
Quick Switch	<p>Assign the function of the hot keys.</p> <p>Available options: Aim Stabilizer, Black Equalizer, Crosshair, Low Blue Light, Volume, Input, Contrast, Brightness, and Picture Mode.</p> <p>The default setting of the hot keys as below:</p> <ul style="list-style-type: none"> <li>⇒ Up (⬆️): Black Equalizer</li> <li>⇒ Down (⬇️): Picture Mode</li> <li>⇒ Right (⬆️): Input</li> <li>⇒ Left (⬅️): Crosshair</li> </ul>
Other Settings	<ul style="list-style-type: none"> <li>• Resolution Notice: When this function is enabled, the current resolution message will appear on the screen when the monitor switches to another input source.</li> <li>• Input Auto Switch: When this function is enabled, it automatically switches to an available input source.</li> <li>• Auto Power Off: When this function is enabled, the monitor will automatically turn off after a certain amount of time.</li> <li>• LED Indicator: By default, the LED indicator is set to <b>Always ON</b>. <ul style="list-style-type: none"> <li>⇒ Always OFF: Turn off the Power LED.</li> <li>⇒ Always ON: The Power LED lights white during operation and lights interval every 1 sec. in standby mode.</li> <li>⇒ Standby ON: The Power LED turns off during operation and lights interval every 1 sec. in standby mode.</li> </ul> <p><b>(Note:</b> The Power LED will turn on for 1 minute after restarting the display in Standby ON mode.)</p> </li> <li>• Quick Boot: When this function is enabled, it slightly improves the boot-up speed of the screen. (Only for GS27Q/GS32Q)</li> </ul>

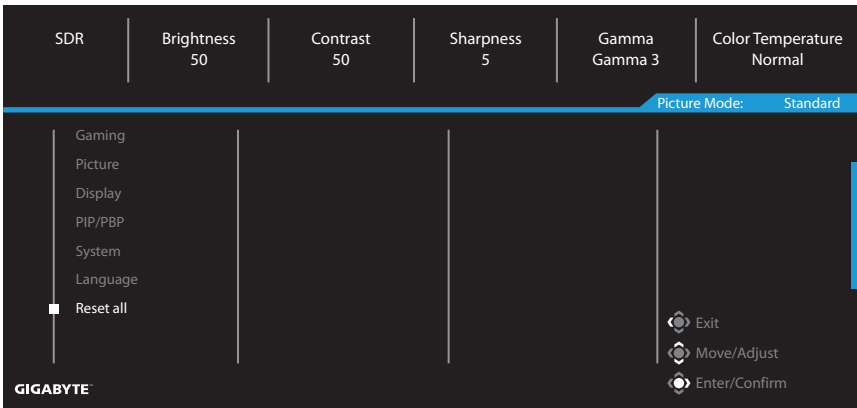
# Language



Item	Description
Language	Select an available language for the OSD menu.

# Reset All

Restore the monitor to its factory default settings.



# APPENDICES

## Specifications

Item	Specifications		
Model	GS27F	GS27Q	GS32Q
Panel Size	27-inch		32-inch
Aspect Ratio	16:9		
Resolution	1920 x 1080	2560 x 1440	
LED Life	30,000 hours (min.)		
Pixel Pitch	0.3108 (H) x 0.3108 (V)	0.2331 (H) x 0.2331 (V)	0.2727 (H) x 0.2727 (V)
Brightness	300 nits (typ.) / 250 nits (min.)		
Contrast Ratio	1000:1 (typ.)		1200:1 (typ.)
Color Depth	16.7M (8Bit)		1.07B (8Bit+FRC)
Active Display Area	596.736(H) x 335.664(V)	596.736(H) x 335.664(V)	698.112(H) x 392.688(V)
Viewing Angle	178° (H)/178° (V)		
Input/Output Terminals	2 x HDMI 2.0 1 x DP 1.4 1 x Headphone		
Power Supply	AC100~240V, 50/60Hz		
Power Consumptions	<ul style="list-style-type: none"> <li>On Mode: 23W</li> <li>Standby: 0.5W</li> <li>Off Mode: 0.3W</li> </ul>	<ul style="list-style-type: none"> <li>On Mode: 33W</li> <li>Standby: 0.5W</li> <li>Off Mode: 0.3W</li> </ul>	<ul style="list-style-type: none"> <li>On Mode: 36W</li> <li>Standby: 0.5W</li> <li>Off Mode: 0.3W</li> </ul>
	<b>Note:</b> The test conditions follow the CEC standards.		
Dimensions (W x H x D)	619 x 447.4 x 172 mm (with Stand)		714 x 500.8 x 238 mm (with Stand)
Weight	5.02 kg (Net)	5.26 kg (Net)	7.2 kg (Net)
Temperature Range (operation)	0°C to 40°C		

**Note:** Specifications subject to change without notice.

# Supported Timing List

Timing List	FHD			QHD		
	HDMI 1	HDMI 2	DP	HDMI 1	HDMI 2	DP
720X400 / 70Hz	V	V	V	V	V	V
720X400 / 88Hz	V	V	V	V	V	V
640X480 / 60Hz	V	V	V	V	V	V
640X480 / 67Hz	V	V	V	V	V	V
640X480 / 72Hz	V	V	V	V	V	V
640X480 / 75Hz	V	V	V	V	V	V
800X600 / 56Hz	V	V	V	V	V	V
800X600 / 60Hz	V	V	V	V	V	V
800X600 / 72Hz	V	V	V	V	V	V
800X600 / 75Hz	V	V	V	V	V	V
832X624 / 75Hz	V	V	V	V	V	V
1024X768 / 87Hz	V	V	V	V	V	V
1024X768 / 60Hz	V	V	V	V	V	V
1024X768 / 70Hz	V	V	V	V	V	V
1024X768 / 75Hz	V	V	V	V	V	V
1280X1024 / 75Hz	V	V	V	V	V	V
1152X870 / 75Hz	V	V	V	V	V	V
1152X864 / 75Hz	V	V	V	V	V	V
1280X720 / 60Hz	V	V	V	V	V	V
1280X800 / 60Hz	V	V	V	V	V	V
1280X960 / 60Hz	V	V	V	V	V	V
1280X1024 / 60Hz	V	V	V	V	V	V
1440X900 / 60Hz	V	V	V	V	V	V
1600X900 / 60Hz	V	V	V	V	V	V
1680X1050 / 60Hz	V	V	V	V	V	V
720X480 / 60Hz	V	V	V	V	V	V
1280X720 / 50Hz	V	V	V	V	V	V
1280X720 / 60Hz	V	V	V	V	V	V
1280X720 / 100Hz	V	V	V	V	V	V
1440X480 / 60Hz	V	V	V	V	V	V
1920X1080 / 50Hz	V	V	V	V	V	V
1920X1080 / 60Hz	V	V	V	V	V	V
1920X1080 / 100Hz	V	V	V	V	V	V
1920X1080 / 120Hz	V	V	V	V	V	V
1920X1080 / 144Hz	V	V	V	V	V	V
1920X1080 / 165Hz	V	V	V			V
2560x1440 / 60Hz				V	V	V
2560x1440 / 120Hz				V	V	V
2560x1440 / 144Hz				V	V	
2560x1440 / 165Hz						V

# Troubleshooting

Problem	Possible Solution(s)
No power	<ul style="list-style-type: none"><li>• Make sure the power cable is properly connected to the power source and the monitor.</li><li>• Check the cable and plug to make sure they are not broken.</li><li>• Make sure the monitor is turned on.</li></ul>
No image appears on the screen	<ul style="list-style-type: none"><li>• Make sure the monitor and the computer are properly connected and both devices are turned on.</li><li>• Make sure you have selected the correct input source. Refer to page 11 or 17.</li></ul>
The image does not fill the entire screen	<ul style="list-style-type: none"><li>• Try different <b>Display Mode</b> (aspect ratio) setting. Refer to page 15.</li></ul>
The colors are distorted	<ul style="list-style-type: none"><li>• Make sure the input signal cable is properly connected.</li><li>• Configure the image related settings. Refer to the "Picture" section.</li></ul>
No sound or volume is low	<ul style="list-style-type: none"><li>• Make sure the headphone cable is properly connected.</li><li>• Adjust the volume level. Refer to page 19.</li><li>• Check the <b>Audio Source</b> setting.</li><li>• Adjust your computer sound related settings.</li></ul>

**Note:** If the problem persists, please contact our customer service for further assistance.

## Basic Care

- Wipe the screen with a soft, lint-free cloth to remove any residual dust.
- Spray or apply the cleaning fluid onto a soft cloth. Then wipe the screen gently with the damp cloth.

**Note:**

- Make sure that the cloth is damp, but not wet.
- When wiping, avoid applying excessive pressure on the screen.
- Acidic or abrasive cleaners can damage the screen.

## GIGABYTE Service Information

More service information, please visit GIGABYTE official website.

<https://www.gigabyte.com/>

# SAFETY INFORMATION

## Safety Precautions

Read through the following Safety Precautions before using the monitor.

- Only use the accessories that are provided with the monitor or that which are recommended by the manufacturer.
- Keep the plastic packaging bag for the product in a place that cannot be reached by children.
- Before connecting the monitor to the power outlet, make sure that the voltage rating of the power cable is compatible with the power specification in the country where you are located.
- The power cord plug must be connected to a properly wired and grounded power outlet.
- Do not touch the plug with wet hands, otherwise easily cause electric shock.
- Place the monitor in a stable and well-ventilated place.
- Do not place the monitor near any heat sources such as electric radiators or direct sunlight.
- The holes or openings on the monitor are for ventilation. Do not cover or block the ventilation holes with any objects.
- Do not use the monitor near water, drinks, or all types of liquids. Failure to do so may result in electric shock or damage to the monitor.
- Make sure to unplug the monitor from the power outlet before cleaning.
- As the screen surface is easy to be scratched, avoid touching the surface with any hard or sharp object.
- Use a soft lint-free cloth instead of a tissue to wipe the screen. You may use a glass cleaner to clean the monitor if required. However, never spray the cleaner directly onto the screen.
- Disconnect the power cable if the monitor is not being used for a long period of time.
- Do not attempt to disassemble or repair the monitor yourself.

## Stability Hazard Precautions

The product may fall, causing serious personal injury or death. To prevent injury, this product must be securely attached to the floor/wall in accordance with the installation instructions.

Many injuries, particularly to children, can be avoided by taking simple precautions such as:

- ALWAYS use stands or installation methods recommended by the manufacturer of the product set.
- ALWAYS use furniture that can safely support the product.
- ALWAYS ensure the product is not overhanging the edge of the supporting furniture.
- ALWAYS educate children about the dangers of climbing on furniture to reach the product or its controls.
- ALWAYS route cords and cables connected to your product so they cannot be tripped over, pulled or grabbed.
- NEVER place a product in an unstable location.
- NEVER place the product on tall furniture (for example, cupboards or bookcases) without anchoring both the furniture and the product to a suitable support.
- NEVER place the product on cloth or other materials that may be located between the product and supporting furniture.
- NEVER place items that might tempt children to climb, such as toys and remote controls, on the top of the product or furniture on which the product is placed.
- If the existing product is going to be retained and relocated, the same considerations as above should be applied.
- To prevent personal injury or damage to the product caused by tipping over due to earthquakes or other shocks, make sure to install the product in a stable location and take measures to prevent falling.

## User Comfort Recommendations

The monitor adopts Flicker-Free technology which clears the eye visible monitor flicker and prevents users from suffering eye strain and fatigue.

The following are some tips for comfortable viewing of your monitor:

- Optimal viewing distances for monitors range from approximately 510 mm to 760 mm (20" to 30").
- A general guideline is to position the monitor such that the top of the screen is at or slightly below your eye-height when you are comfortably seated.
- Use adequate lighting for the type of work you are performing.
- Take regular and frequent breaks (at least for 10 minutes) every half-hour.
- Be sure to periodically look away from your monitor screen and focus on a far object for at least 20 seconds during the breaks.
- Eye exercise can help reduce eye strain. Repeat these exercises frequently:  
(1) look up and down (2) slowly roll your eye (3) move your eyes diagonally.

This model has passed Flicker Free and Low Blue Light verification by TÜV Rheinland.

To learn more:

<https://www.gigabyte.com/tw/Support/FAQ/4310>

# REGULATORY INFORMATION

## **United States of America, Federal Communications Commission Statement**

This equipment has been tested and found to comply with the limits for a Class B digital device, pursuant to Part 15 of the FCC Rules. These limits are designed to provide reasonable protection against harmful interference in a residential installation. This equipment generates, uses and can radiate radio frequency energy and, if not installed and used in accordance with manufacturer's instructions, may cause harmful interference to radio communications. However, there is no guarantee that interference will not occur in a particular installation. If this equipment does cause harmful interference to radio or television reception, which can be determined by turning the equipment off and on, the user is encouraged to try to correct the interference by one or more of the following measures:

- Reorient or relocate the receiving antenna.
- Increase the separation between the equipment and receiver.
- Connect the equipment to an outlet on a circuit different from that to which the receiver is connected.
- Consult the dealer or an experienced radio/TV technician for help.

## **Canadian Department of Communications Statement**

This digital apparatus does not exceed the Class B limits for radio noise emissions from digital apparatus set out in the Radio Interference Regulations of the Canadian Department of Communications. This class B digital apparatus complies with Canadian ICES-003.

## **Avis de conformité à la réglementation d'Industrie Canada**

Cet appareil numérique de la classe B est conforme à la norme NMB-003 du Canada.

## **European Union (EU) CE Declaration of Conformity**

This device complies with the following directives: Electromagnetic Compatibility Directive 2014/30/EU, Low-voltage Directive 2014/35/EU, ErP Directive 2009/125/EC, RoHS directive (recast) 2011/65/EU & the Directive (EU) 2015/863 amendment of Annex II.

Compliance with these directives is assessed using applicable European Harmonised Standards.

## **European Union (EU) RoHS (recast) Directive 2011/65/EU & the European Commission Delegated Directive (EU) 2015/863 Statement**

GIGABYTE products have not intended to add and safe from hazardous substances (Cd, Pb, Hg, Cr+6, PBDE, PBB, DEHP, BBP, DBP and DIBP). The parts and components have been carefully selected to meet RoHS requirement. Moreover, we at GIGABYTE are continuing our efforts to develop products that do not use internationally banned toxic chemicals.

## **European Union (EU) Community Waste Electrical & Electronic Equipment (WEEE) Directive Statement**

GIGABYTE will fulfill the national laws as interpreted from the 2012/19/EU WEEE (Waste Electrical and Electronic Equipment) (recast) directive. The WEEE Directive specifies the treatment, collection, recycling and disposal of electric and electronic devices and their components. Under the Directive, used equipment must be marked, collected separately, and disposed of properly.

### **WEEE Symbol Statement**



The symbol shown below is on the product or on its packaging, which indicates that this product must not be disposed of with other waste. Instead, the device should be taken to the waste collection centers for activation of the treatment, collection, recycling and disposal procedure.

For more information about where you can drop off your waste equipment for recycling, please contact your local government office, your household waste disposal service or where you purchased the product for details of environmentally safe recycling.

### **End of Life Directives-Recycling**



The symbol shown below is on the product or on its packaging, which indicates that this product must not be disposed of with other waste. Instead, the device should be taken to the waste collection centers for activation of the treatment, collection, recycling and disposal procedure.

### **CE Déclaration de Conformité**

Cet appareil est conforme aux Directives de l'UE suivantes: Directive Compatibilité Electromagnétique 2014/30/UE, Directive Basse Tension 2014/35/UE, Directive 2009/125/CE en matière d'écoconception, la Directive RoHS II 2011/65/UE & Directive (UE) 2015/863 modifiant l'Annexe II.

La conformité à ces directives est évaluée sur la base des normes européennes harmonisées applicables.

### **CE-Konformitätserklärung**

Dieses Produkte erfüllen folgenden EU-Richtlinien: EMV-Richtlinie 2014/30/EU, Niederspannungsrichtlinie 2014/30/EU, Ökodesign-Richtlinie 2009/125/EC, RoHS-Richtlinie 2011/65/EG erfüllt und die Richtlinie (EU) 2015/863 zur Änderung von Anhang II.

Die Konformität mit diesen Richtlinien wird anhand der anwendbaren harmonisierten Europäischen Normen bewertet.

### **CE Declaración de conformidad**

Este producto cumplen con las siguientes Directivas de la Unión Europea: Directiva EMC 2014/30/EU, Directiva de bajo voltaje 2014/35/EU, Directiva de Ecodiseño 2009/125/CE, Directiva RoHS 2011/65/EU y la Directiva (EU) 2015/863 por la que se modifica el Anexo II. El cumplimiento de estas directivas se evalúa mediante las normas europeas armonizadas.

## **CE declaração de conformidade**

Este produto estão em conformidade com das seguintes Diretivas UE: Diretiva Baixa Tensão 2014/35/UE; Diretiva CEM 2014/30/UE; Diretiva Conceção Ecológica 2009/125/CE; Diretiva RSP 2011/65/CE e a Diretiva (UE) 2015/863 que altera o Anexo II.

A conformidade com estas diretivas é verificada utilizando as normas europeias harmonizadas.

## **CE Dichiarazione di conformità**

I prodotti sono conformi con una o più delle seguenti Direttive UE, come applicabile: Direttiva EMC 2014/30/UE, Direttiva sulla bassa tensione 2014/35/UE, Direttiva Ecodesign EMC 2009/125/CE, Direttiva RoHS 2011/65/UE e Direttiva (UE) 2015/863 recante modifica dell'Allegato II.

La conformità con tali direttive viene valutata utilizzando gli Standard europei armonizzati applicabili.

## **CE Deklaracja zgodności**

Urządzenie jest zgodne z następującymi dyrektywami: Dyrektywa kompatybilności elektromagnetycznej 2014/30/UE, Dyrektywa niskonapięciowej 2014/35/UE, Dyrektywa ErP 2009/125/WE, Dyrektywa RoHS 2011/65/UE i Dyrektywa (UE) 2015/863 zmieniająca Załącznik II. Zgodność z tymi dyrektywami oceniono za pomocą mających zastosowanie zharmonizowanych norm europejskich.

## **CE Prohlášení o shodě**

Toto zařízení splňuje požadavky Směrnice o Elektromagnetické kompatibilitě 2014/30/EU, Směrnice o Nízkém napětí 2014/35/EU, Směrnice ErP 2009/125/ES, Směrnice RoHS 2011/65/EU a Směrnice (EU) 2015/863 kterou se mění Příloha II.

Shoda s těmito směrnici je posuzována v souladu s příslušnými evropskými harmonizačními standardy.

## **CE Megfelelőségi nyilatkozata**

A termék megfelelnek a következőkről szóló egy vagy több Európai Unió irányelvnek: EMC irányelv 2014/30/EU, Kiszármagterhelésű villamos berendezésekre vonatkozó irányelv 2014/35/EU, Környezetbarát tervezésről szóló irányelv 2009/125/EZ, Direktívi RoHS irányelv 2011/65/EU és Direktívi (EU) 2015/863 o izmjeni Priloga II.

A fenti irányelveknek történő megfelelés megállapítása a vonatkozó harmonizált európai szabványok segítségével történik.

## **CE Δήλωση συμμόρφωσης**

Είναι σε συμμόρφωση με τις διατάξεις των παρακάτω Οδηγιών της Ευρωπαϊκής Κοινότητας: Οδηγία 2014/30/ΕΕ σχετικά με την ηλεκτρομαγνητική συμβατότητα, Οδηγία χαμηλή τάση 2014/35/ΕU, Οδηγία 2009/125/ΕΚ σχετικά με τον οικολογικό σχεδιασμό, Οδηγία RoHS 2011/65/ΕΕ και Οδηγία (ΕΕ) 2015/863 για την τροποποίηση του παραρτήματος II.

Η συμμόρφωση με αυτές τις οδηγίες αξιολογείται χρησιμοποιώντας τα ισχύοντα εναρμονισμένα ευρωπαϊκά πρότυπα.

### **CE Declarație de conformitate**

Acest aparat este conform cu: Compatibilitatea electromagnetică Directiva 2014/30/UE, Directiva privind echipamentele de joasă tensiune 2014/35/UE, Directiva privind proiectarea ecologică 2009/125/CE, Directiva RoHS 2011/65/UE & Directiva (UE) 2015/863 de modificare a Anexei II.

Conformitatea cu aceste directive este evaluatăutilizând Standardele europene armonizate aplicabile.

### **CE Overensstemmelseserklæring**

Denne enhed overholder stk.: elektromagnetisk kompatibilitet Direktivet 2014/30/EC, LVD Direktivet 2014/35/EC, miljøvenligt design Direktivet 2009/125/EF, RoHS Direktivet 2011/65/EU & Direktivet (UE) 2015/863 om ændring af Bilag II.

Overholdelse af disse direktiver vurderes med gældende europæiske harmoniserede standarder.

### **CE Vyhlásenie o zhode**

Tento produkt spĺňajú najmenej jednu z nasledujúcich platných smerníc EÚ: Smernica 2014/30/ES pre elektromagnetickú kompatibilitu, Smernica 2014/35/ES o Nízkom Napätí (LVD), Smernica 2009/125/ES pre ekodizajn, Smernica RoHS 2011/65/EÚ & Smernica (EÚ) 2015/863 ktorou sa mení Príloha II.

Zhoda s týmito smernicami sa hodnotí použitím príslušných európskych harmonizovaných štandardov.

### **CE Vaatimustenmukaisuusvakuutus**

Tämä tuote on näiden EU-direktiivien mukainen: EMC Direktiivi 2014/30/EY, LVD Direktiivi 2014/35/EY, Ekologista suunnittelua koskeva Direktiivi 2009/125/EY, RoHS Direktiivi 2011/65/EU & Direktiivi (EU) 2015/863 Liitteen II muuttamisesta.

Yhdenmukaisuus näiden direktiivien kanssa on arvioitu käyttäen soveltuvia eurooppalaisia harmonisoituja standardeja.

### **CE Försäkran om överensstämmelse**

Denna produkt uppfyller följande direktiv: Direktivet om Elektromagnetisk kompatibilitet 2014/30/EU, Lågspänningsdirektivet 2014/35/EU, Ekodesigndirektiv 2009/125/EG, Direktiv RoHS 2011/65/EU mid Direktiv (EU) 2015/863 om ändring av Bilaga II.

Överensstämmelse med dessa direktiv bedöms med hjälp av tillämpliga europeiska harmoniserade standarder.

### **CE Conformiteitsverklaring**

Dit product voldoet aan de volgende van toepassing zijnde EU-richtlijnen: EMC Richtlijn 2014/30/EG, Laagspanningsrichtlijn 2014/35/EU, Ecodesign-richtlijn 2009/125/EG, G RoHS Richtlijn 2011/65/EG & Richtlijn (EU) 2015/863 tot wijziging van Bijlage II.

Het voldoen aan deze richtlijnen is beoordeeld met de van toepassing zijnde Europese geharmoniseerde normen.

## **CE Vyhlásenie o zhode**

Toto zariadenie vyhovuje nasledujúcim smerniciam: Smernica elektromagnetickej kompatibility 2014/30/EÚ, Smernica o nízkom napätí 2014/35/EÚ, Smernica o výrobkoch týkajúcich sa energie 2009/125/ES, Smernica RoHS 2011/65/EÚ & Smernica (EÚ) 2015/863 ktorou sa mení príloha II.

Zhoda s týmito smernicami sa hodnotí použitím príslušných európskych harmonizovaných štandardov.

## **India RoHS**

This product complies with the "India E-waste (Management and Handling) Rule 2011" and prohibits use of lead, mercury, hexavalent chromium, polybrominated biphenyls or polybrominated diphenyl ethers in concentrations exceeding 0.1 weight % and 0.01 weight % for cadmium, except for the exemptions set in Schedule 2 of the Rule.

## **Japan Class 01 Equipment Statement**

### **安全にご使用いただくために**

接地接続は必ず電源プラグを電源につなぐ前に行ってください。

また、接地接続を外す場合は、必ず電源プラグを電源から切り離してから行って下さい。

## **Japan VCCI Class B Statement**

### **クラスB VCCI 基準について**

この装置は、クラス B 情報技術装置です。この装置は、家庭環境で使用することを目的としていますが、この装置がラジオやテレビジョン受信機に近接して使用されると、受信障害を引き起こすことがあります。

取扱説明書に従って正しい取り扱いをして下さい。

VCCI-B

## China RoHS Compliance Statement

### 中国《废弃电器电子产品回收处理管理条例》提示性说明

为了更好地关爱及保护地球·当用户不再需要此产品或产品寿命终止时·请遵守国家废弃电器电子产品回收处理相关法律法规·将其交给当地具有国家认可的回收处理资质的厂商进行回收处理。

### 环保使用期限

#### Environment-friendly use period



此标识指期限（十年）·电子电气产品中含有的有害物质不会发生外泄或突变·电子电气产品用户正常使用该电子电气产品不会对环境造成严重污染或对其人身、财产造成严重损害的期限。

### 产品中有害物质的名称及含量:

部件名称	有害物质					
	铅 (Pb)	汞 (Hg)	镉 (Cd)	六价铬 (Cr <sup>6+</sup> )	多溴联苯 (PBB)	多溴二苯醚 (PBDE)
印刷电路板及其电子组件	×	○	○	○	○	○
液晶面板	×	○	○	○	○	○
外壳	○	○	○	○	○	○
外部信号连接头及线材	×	○	○	○	○	○

本表格依据 SJ/T 11364 的规定编制。

○：表示该有害物质在该部件所有均质材料中的含量均在 GB/T 26572 规定的限量要求以下。

×：表示该有害物质至少在该部件的某一均质材料中的含量超出 GB/T 26572 规定的限量要求。