



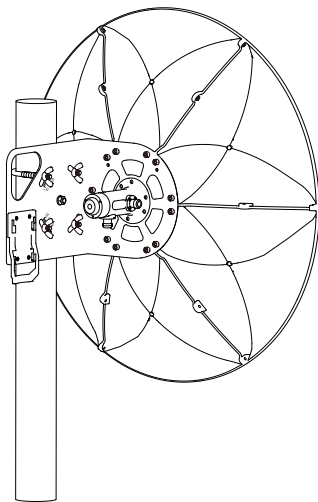
Questo manuale d'istruzione è fornito da trovaprezzi.it. Scopri tutte le offerte per [IP-Com ANT30-5G](#) o cerca il tuo prodotto tra le [migliori offerte di Altri dispositivi di rete](#)



Questo manuale d'istruzione è fornito da trovaprezzi.it. Scopri tutte le offerte per [IP-Com ANT30-5G](#) o cerca il tuo prodotto tra le [migliori offerte di Wireless e Bluetooth](#)

Quick Start Guide

5GHz 30dBi Dual-Polarization Dish Basestation Antenna



Package Contents

- Reflector 6×2
- U-groove×2
- 5G coupler×2
- U Bolt×4
- RF Cables×4
- Cross hex wrench×1
- Small Reflector×2
- Bracket with Hanger×2
- Aluminum tube×2
- Quick Start Guide×1

before use this equipment, please read this guide for installing equipment quickly.



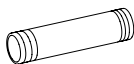
the wireless radio from this guide (Sold separately)

Installation Requirements

- Workpieces to be prepared during installation: Phillips screwdriver, M8 wrench.
- Shielded Category 5 (or above) cabling should be used for all wired Ethernet connections and should be grounded through the AC ground of the PoE. We recommend that you protect your networks from the most brutal environments and devastating ESD attacks with industrial grade shielded Ethernet cable.



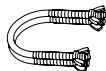
5G coupler
(Qty.2)



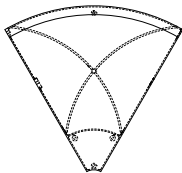
Aluminum tube
(Qty.2)



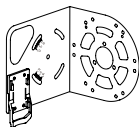
Small Reflector
(Qty.2)



U Bolt
(Qty.4)



Reflector
(Qty.6x2)



Bracket with hanger
(Qty.2)



U-groove
(Qty.2)



Cross hex wrench
(Qty.2)



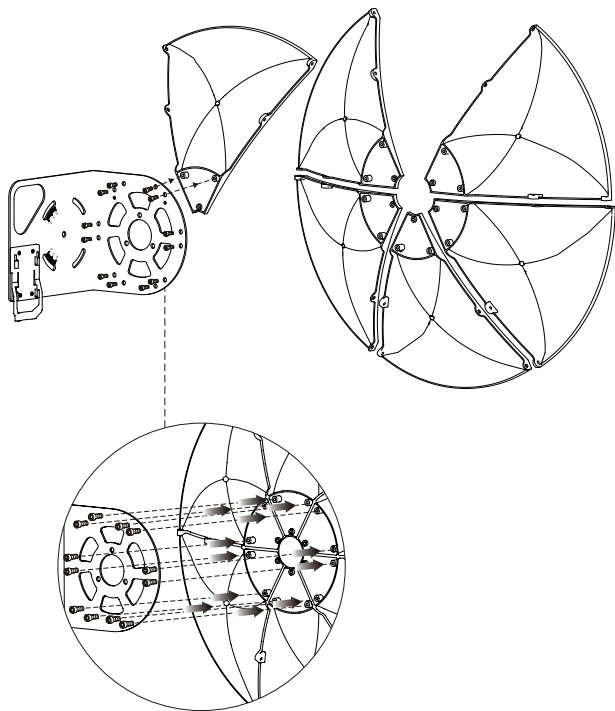
Screws (for bracket)
(M6 Qty.12x2)



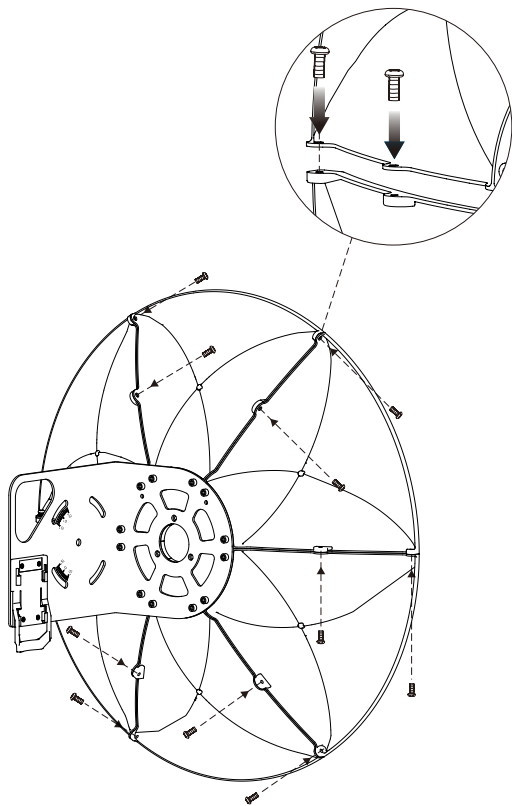
Screws
Assemble the reflector
Assemble the coupler
(M5 Qty.15x2)

Bracket Installation

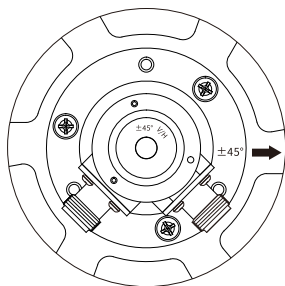
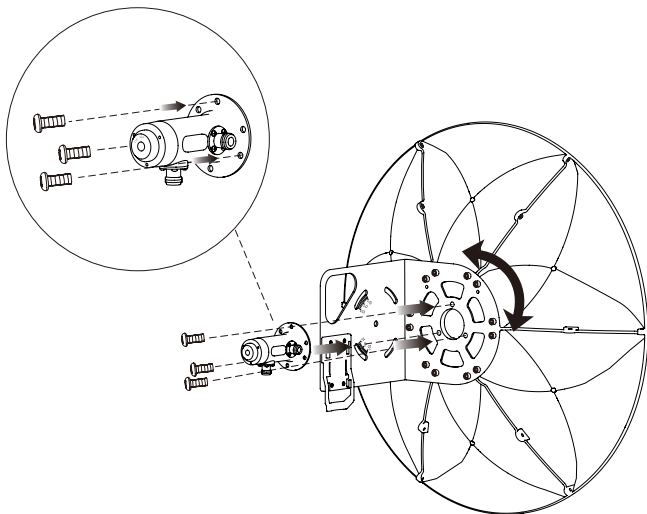
- ① Assemble the 6 pieces of Reflector on the Bracket with hanger, and each Reflector is fixed with 2 M6 screws.



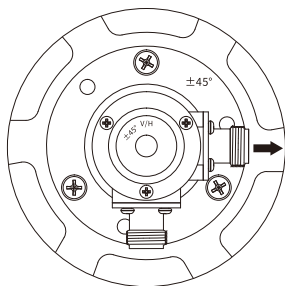
- ② Use M5 screws to fix the Reflector, each Reflector is fixed with 2 M5 screws.



- ③ The 5G coupler is selected for polarization, then using 3 M5 screws to fix on the bracket of the center of the antenna.

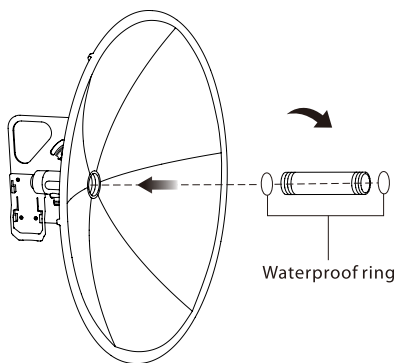


$\pm 45^\circ$

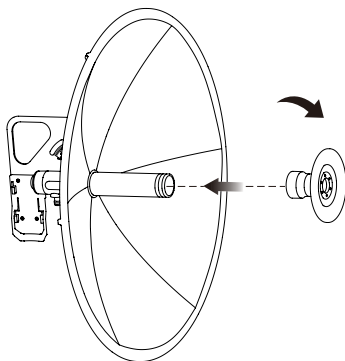


V/H

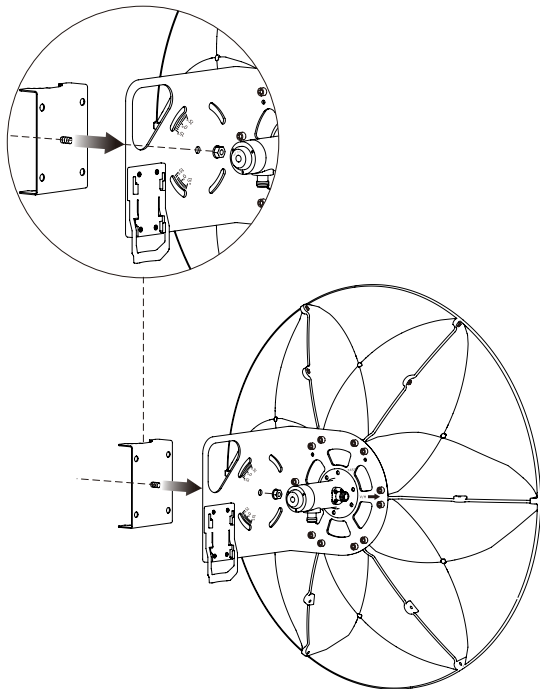
- ④ Put the waterproof ring on the aluminum tube connector and turn it clockwise into the coupling connector.



- ⑤ Align the Small Reflectors with the center of the front of the aluminum tube and turn them clockwise.

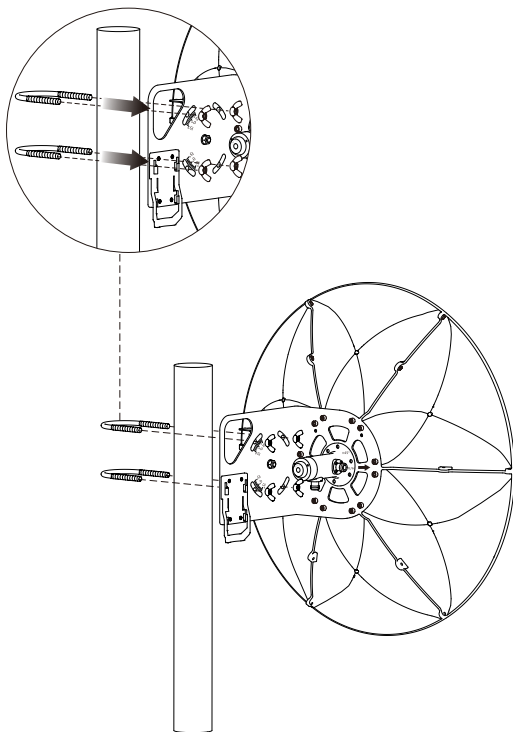


⑥ Fix the U-groove to the Bracket with nuts by M8 wrench.

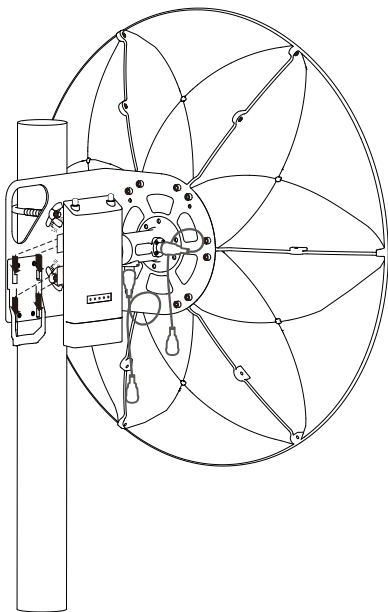


- ⑦ Remove the nut on the U-Bolt, select the appropriate position of the antenna to adjust the antenna twist, lock the nut to the U-Bolt, fix the antenna, and complete the installation.

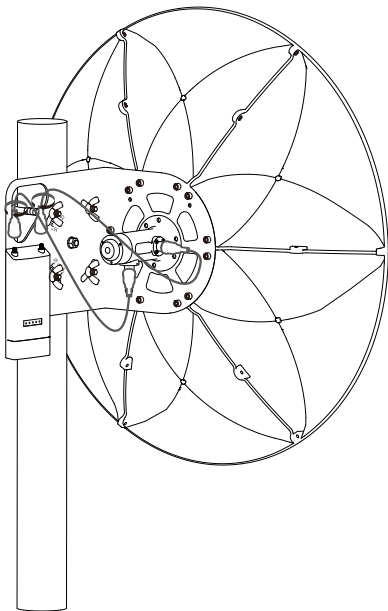
📄 Note: The mounting assembly can accommodate a \varnothing 30 - 70mm pole.



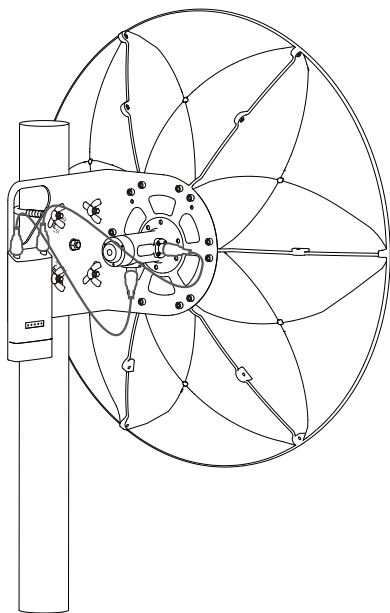
- ⑧ Attach the RF cables to the connector on the antenna.
Slide the Protective Shroud down over the Station until it locks onto the Station Mount Bracket.



- ⑨ Unscrew the plastic nut on the interface of station.
Connect the other end of the 2 RF cables to the station.

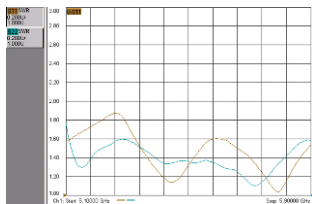


⑩ Completed installation.

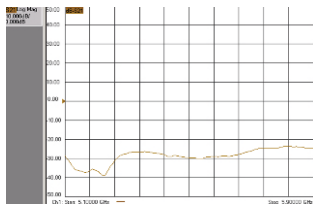


Technical Specifications

Electrical	
Model	ANT30-5G
Frequency Range	4900-6500MHz
Gain	29dBi \pm 1dBi
Polarization	Vertical and Horizontal
Isolation	>20dB
F/B Ratio	>35dB
Horizontal Beamwidth(3dB)	6° type
Vertical Beamwidth(3dB)	5° type
V.S.W.R	<2
Max Power	50W
Nominal Impedance	50 Ω
Lightingprotection	Outdoor protection
Mechanical	
Connector	2 x N Female
Antenna Size	Φ 65cm
Antenna Weight	5.5kg
Antenna Colour	white
Antenna material	Aluminum
Operatingt emperature	-40°C to +70°C (-32°F to +158°F)
ETSI Specification	ETS 300 019-1-4, EN 302 085(ANNEX A.1.1)

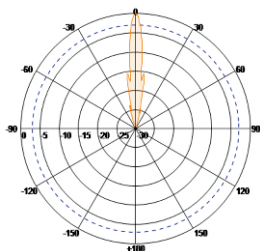


Antenna Voltage V.S.W.R

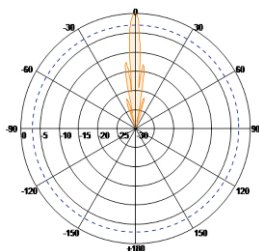


Port Isolation

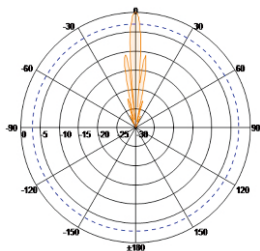
Antenna Pattern



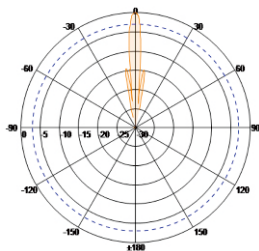
V-Pol Azimuth



V-Pol Elevation



H-Pol Azimuth



H-Pol Elevation