



Questo manuale d'istruzione è fornito da trovaprezzi.it. Scopri tutte le offerte per [Lego Technic 42199 Pull-back Monster Jam DIGatron](#) o cerca il tuo prodotto tra le [migliori offerte di Lego](#)



Questo manuale d'istruzione è fornito da trovaprezzi.it. Scopri tutte le offerte per [Lego Technic 42199 Pull-back Monster Jam DIGatron](#) o cerca il tuo prodotto tra le [migliori offerte di Lego](#)



TECHNIC

42199






Q LEGO® Builder



LEGO.com/sustainable-packaging

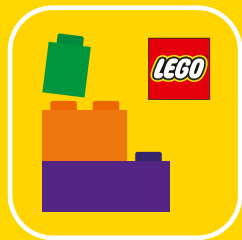


 ^{FR} **DONNEZ**
OU
RECYCLEZ

 OU  OU 

ASSOCIATION MAGASIN DÉCHÈTERIE

Adresses sur quefairedemesdechets.fr



Q LEGO® Builder

BUILDER

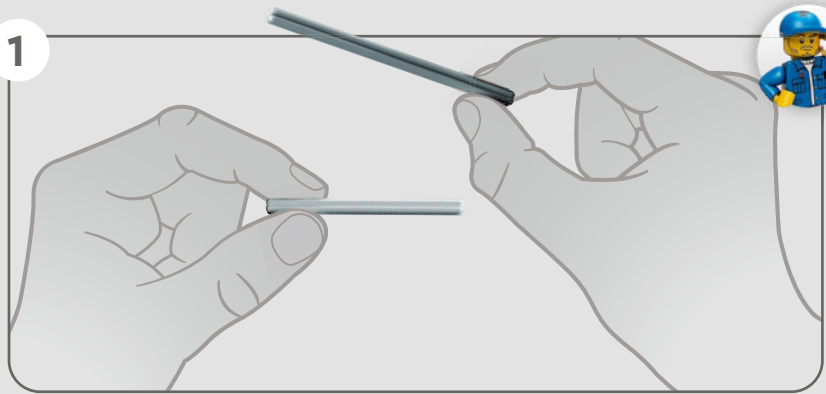


Apple and the Apple logo are trademarks of Apple Inc., registered in the U.S. and other countries and regions. App Store is a service mark of Apple Inc. Google Play and the Google Play logo are trademarks of Google LLC. Tencent and the Tencent logo are trademarks of Tencent Inc.

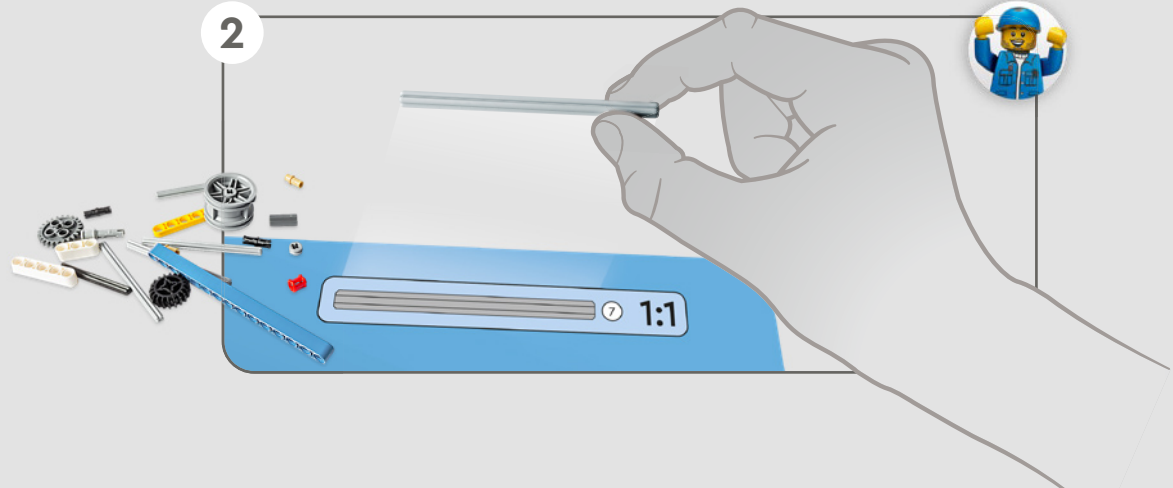
EN Ask parents' permission before going online | DE Eltern um Erlaubnis bitten, bevor du online gehst | FR Demande l'autorisation d'un parent avant d'aller en ligne | IT Chiedi il permesso ai tuoi genitori prima di andare online | ES Pídeles permiso a tus papás antes de conectarte a Internet | PT Pede autorização aos pais antes de acederes online | ZH 上网前应先征得父母的同意 | PL Poproś rodziców o zgodę, zanim wejdiesz do Internetu | CS Než půjdeš na internet, požádej rodiče o svolení | SK Skôr než pôjdeš na internet, vypýtaj si povolenie od rodičov | HU Kérj szülői engedélyt, mielőtt online csatlakoznál! | RO Cere permisiunea părinților înainte de a te conecta online | BG Поискайте разрешение от родител, преди да влезете онлайн | LV Pirms došanās tiešsaistē palūdz atļauju vecākiem | ET Enne Interneti kasutamist küsi vanematelt luba | LT Prieš prisijungdami prie interneto, atsiklauskite tėvų

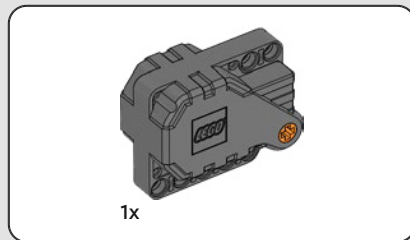
Q [LEGO.com/devicecheck](https://www.lego.com/devicecheck)

1

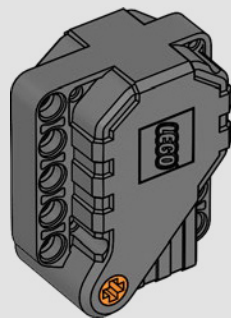


2





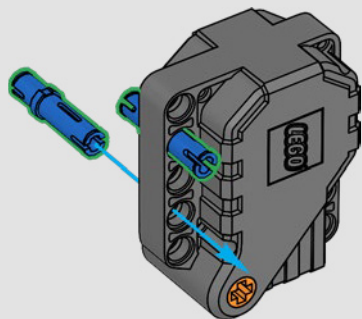
1





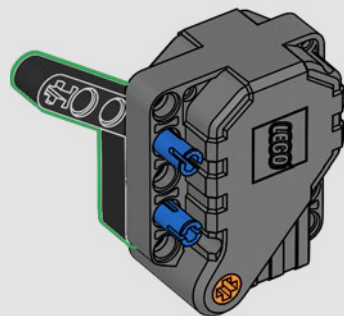
2x

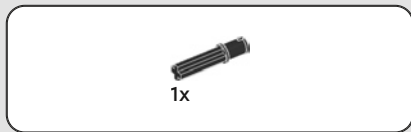
2



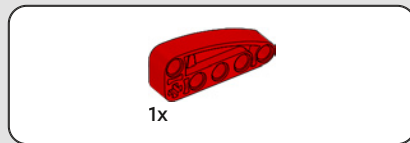
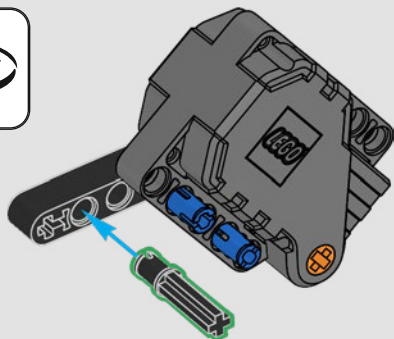
1x

3

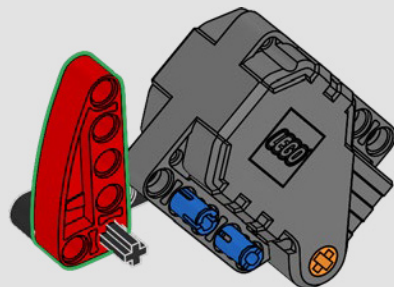


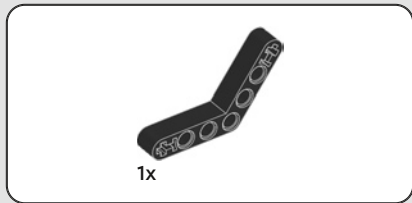


4

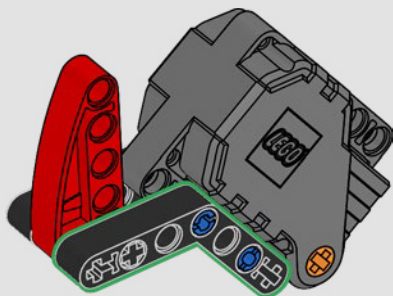


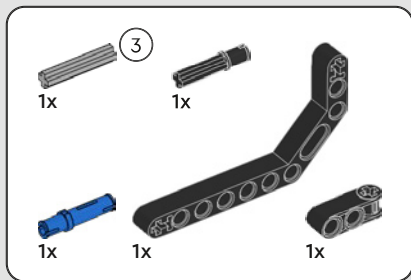
5



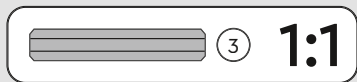
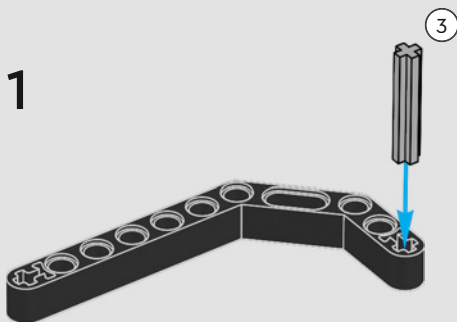


6

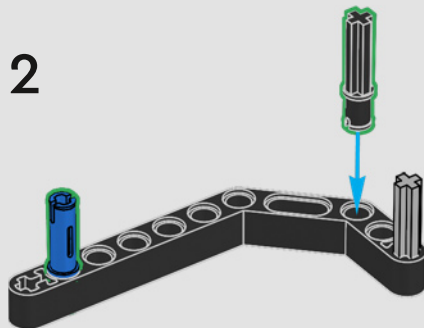




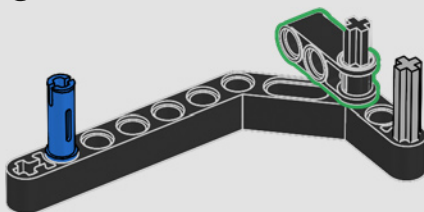
7

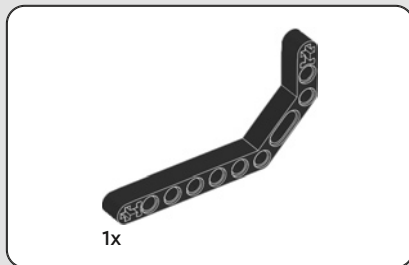
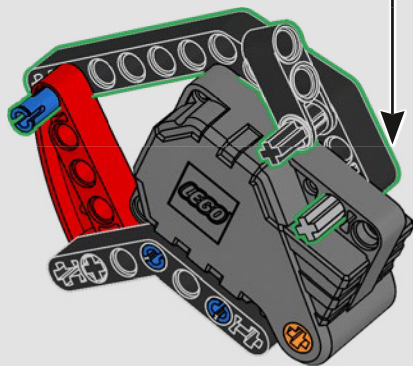


2

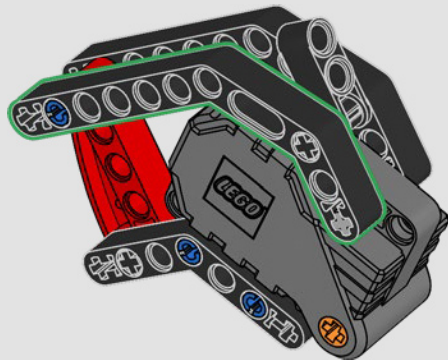


3





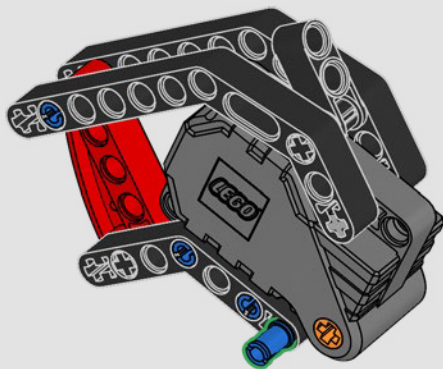
8





1x

9

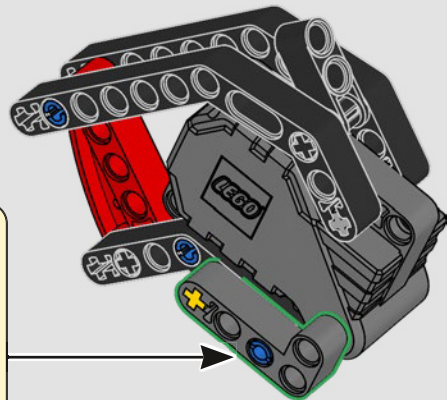


1x

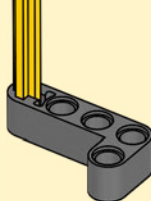


1x

10



1x



1x

1:1

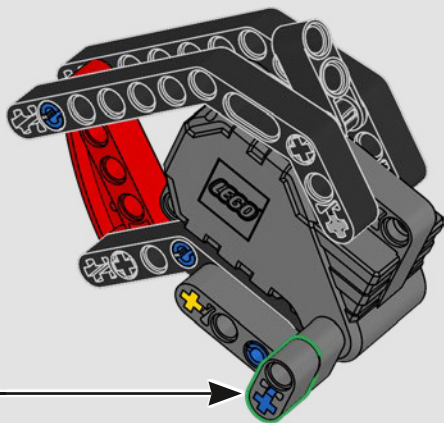
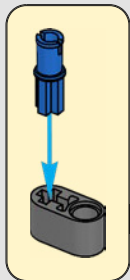


1x



1x

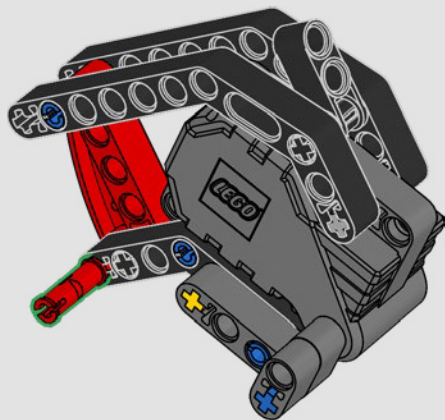
11





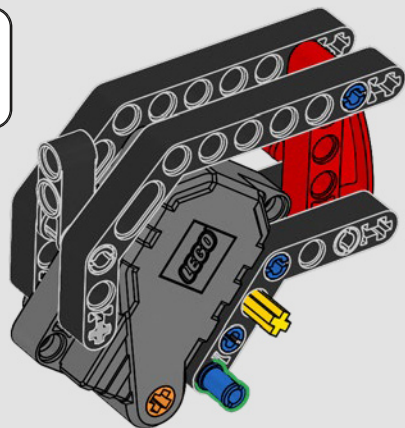
1x

12



1x

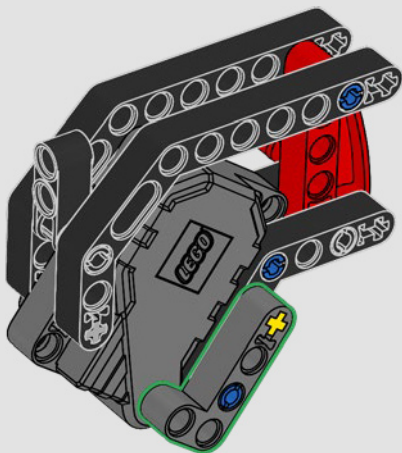
13





1x

14



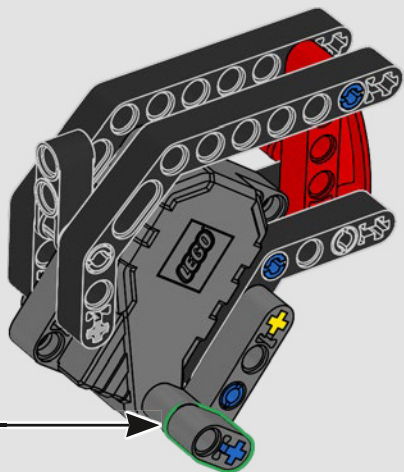
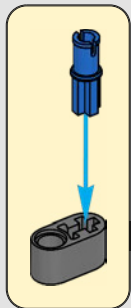


1x



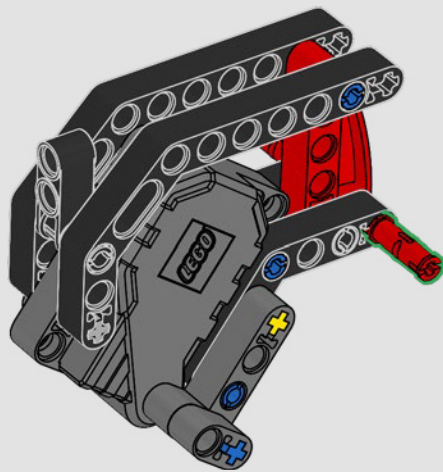
1x

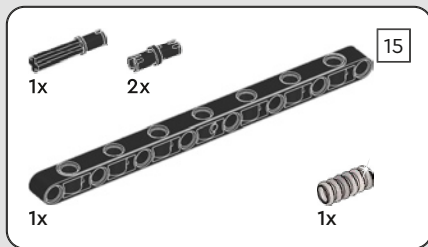
15



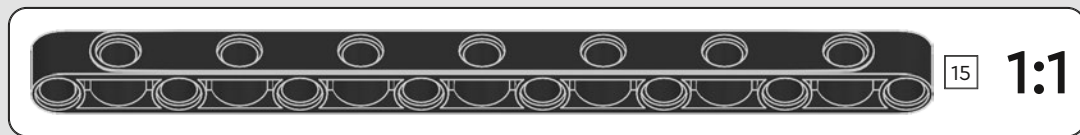
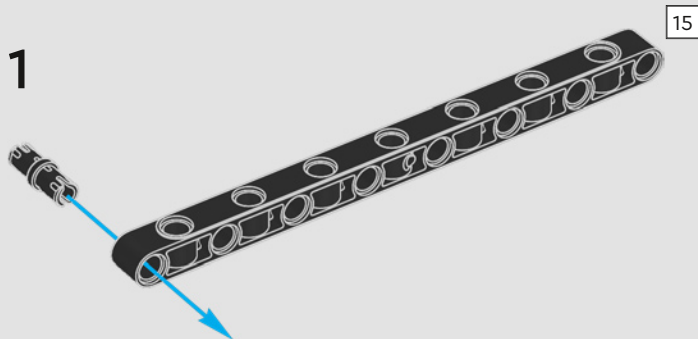
1x

16

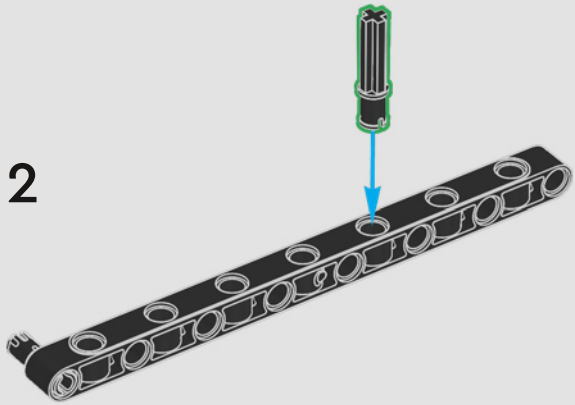




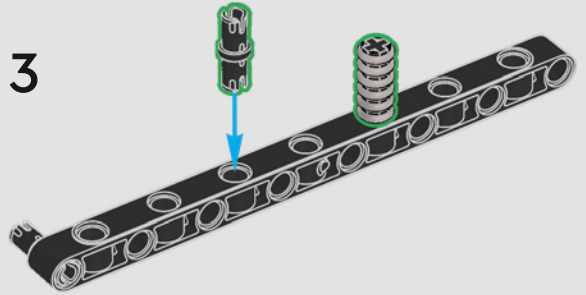
17

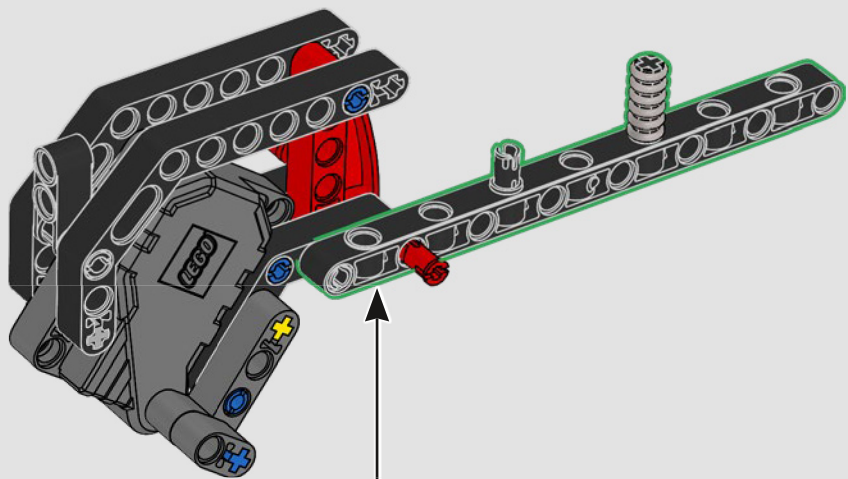


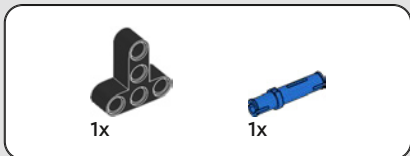
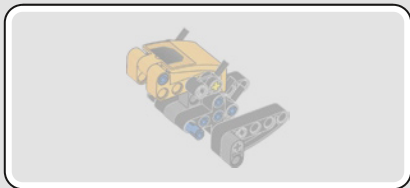
2



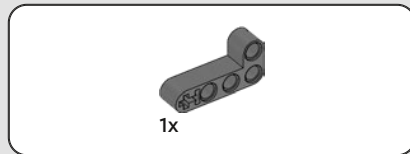
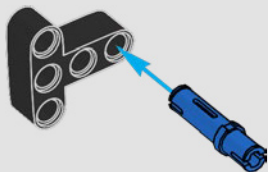
3



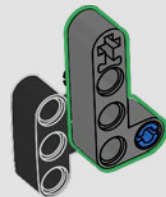




18



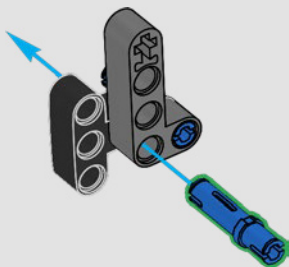
19





1x

20





1x



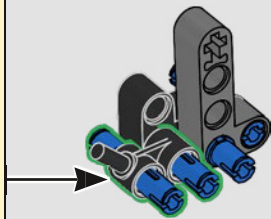
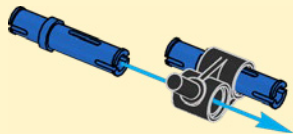
2x

21

1



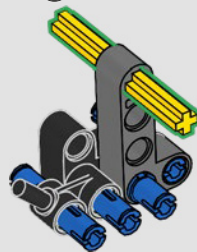
2



1x

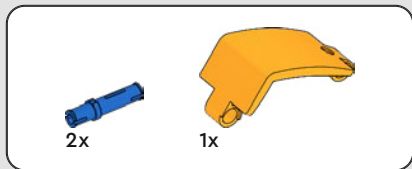
22

5

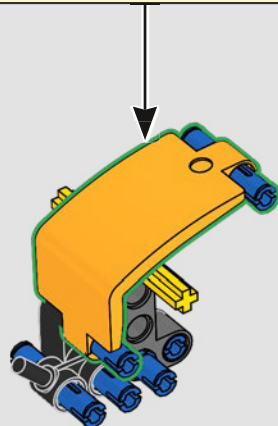
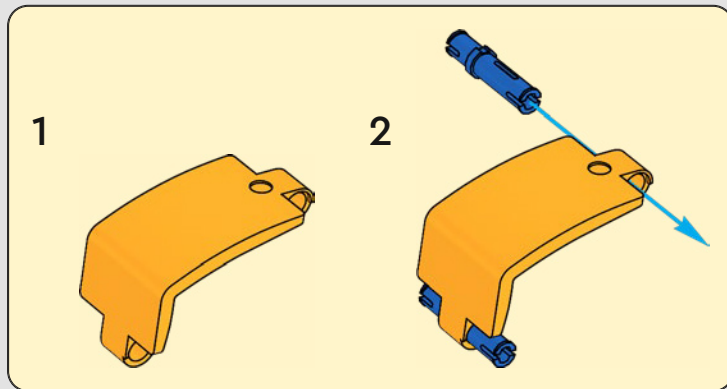


5

1:1



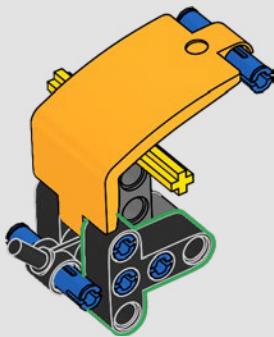
23





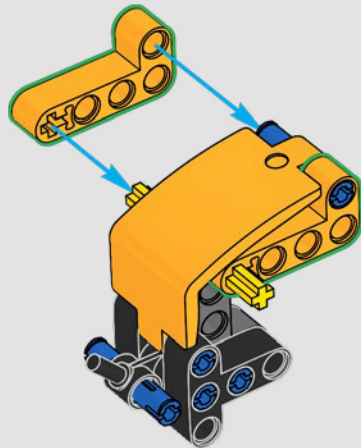
1x

24

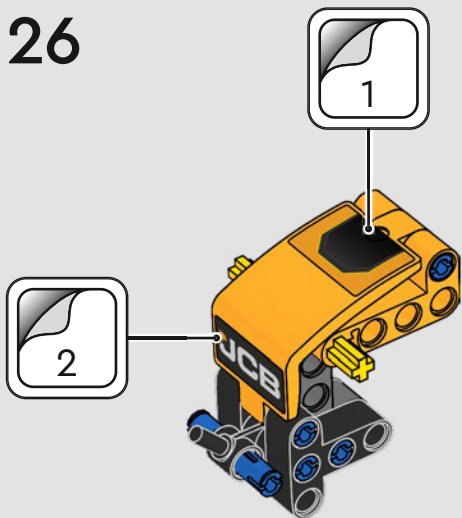


2x

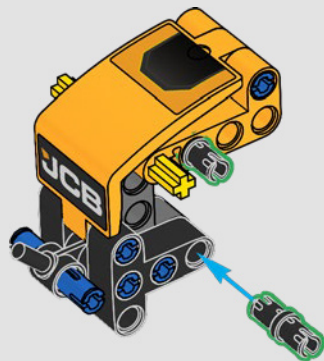
25



26



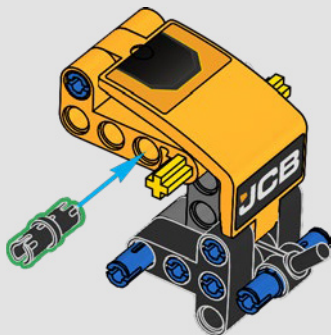
27





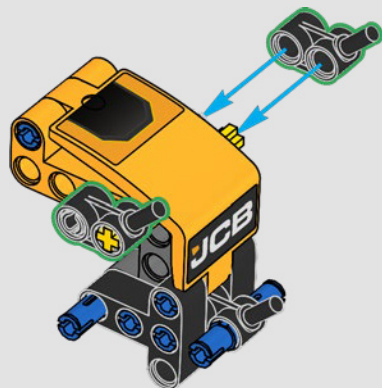
1x

28



2x

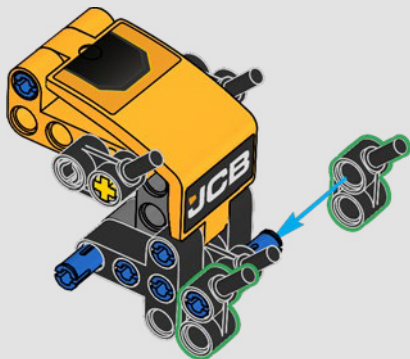
29

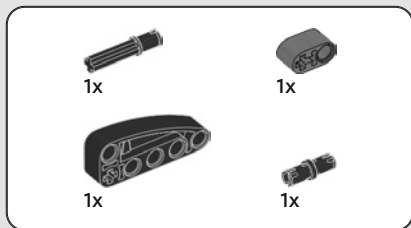




2x

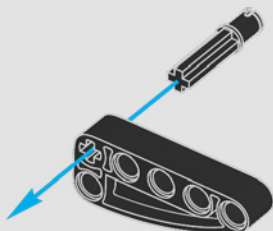
30



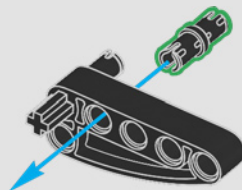


31

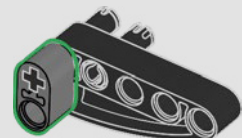
1

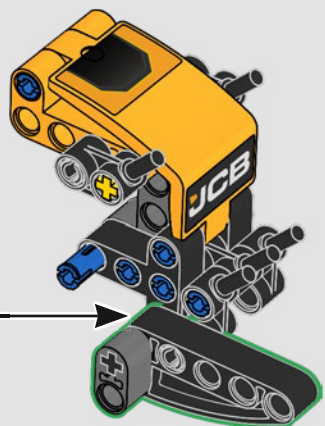


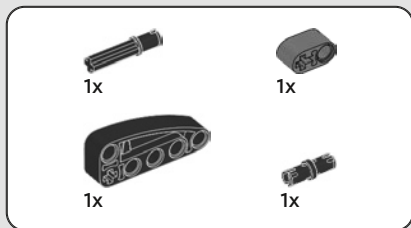
2



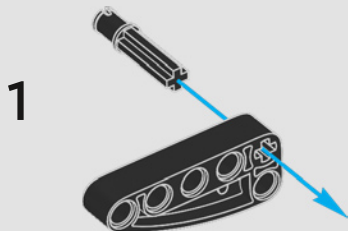
3



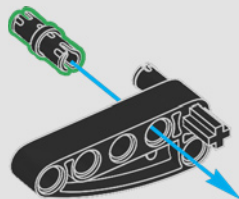




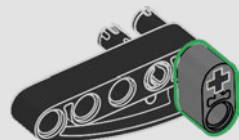
32

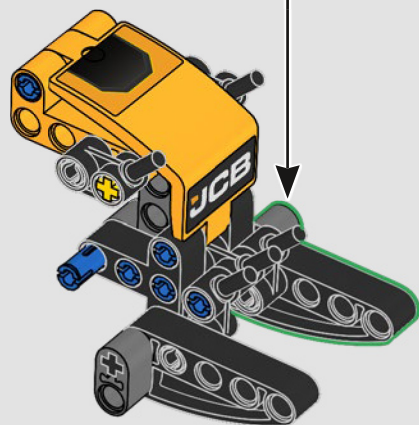


2

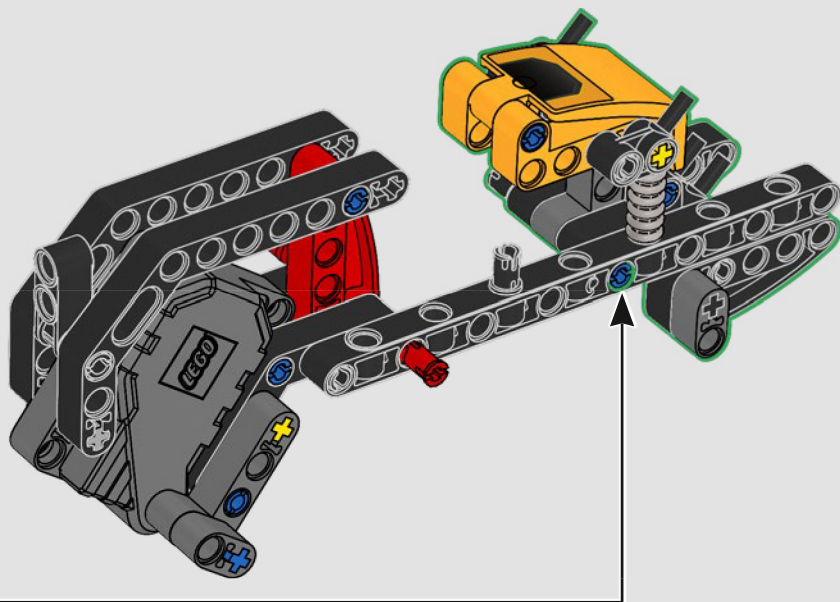


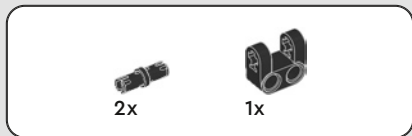
3



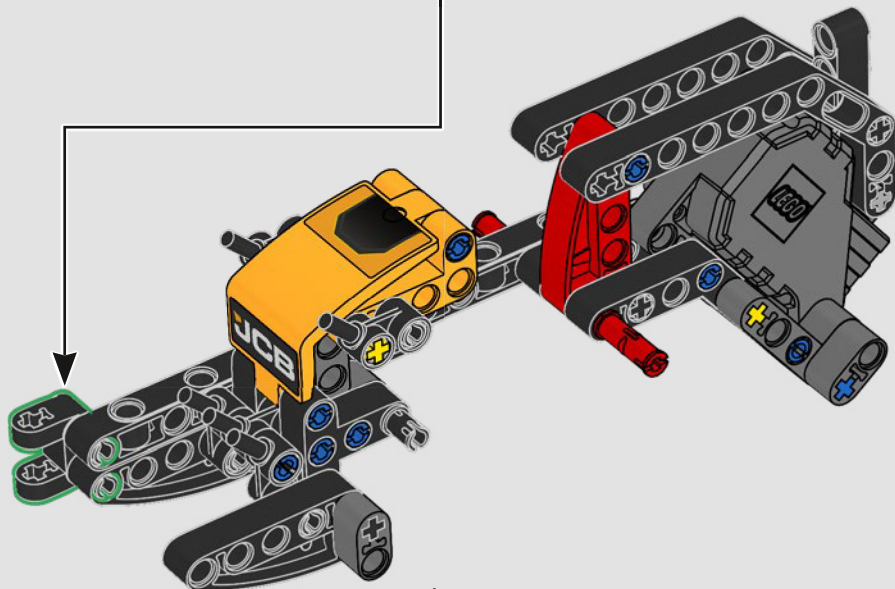
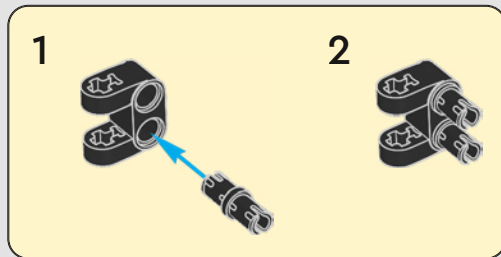


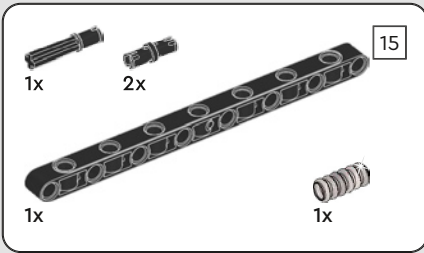
33





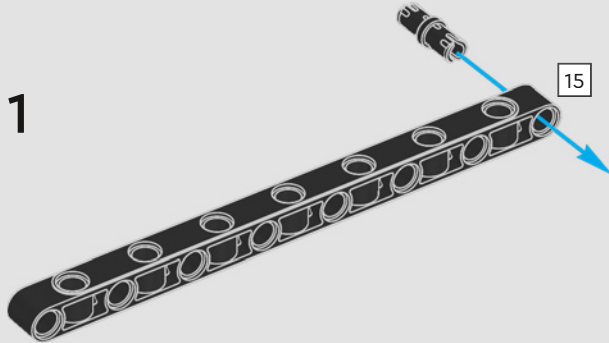
34



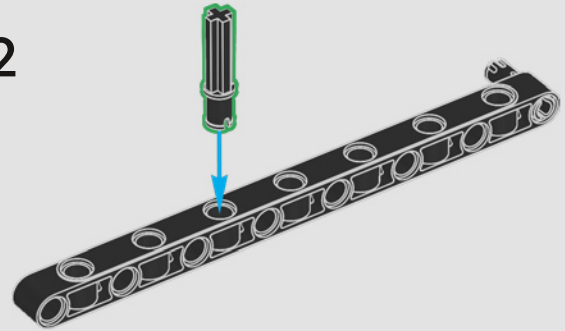


35

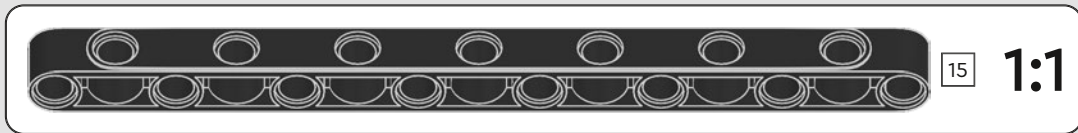
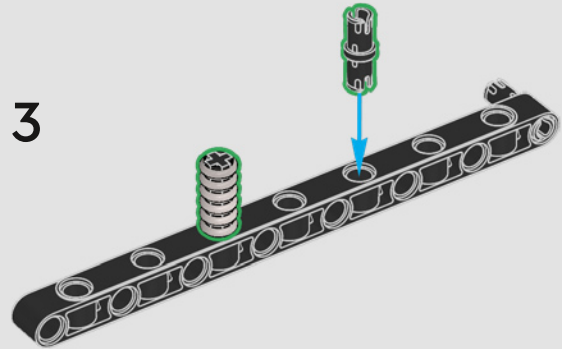
1

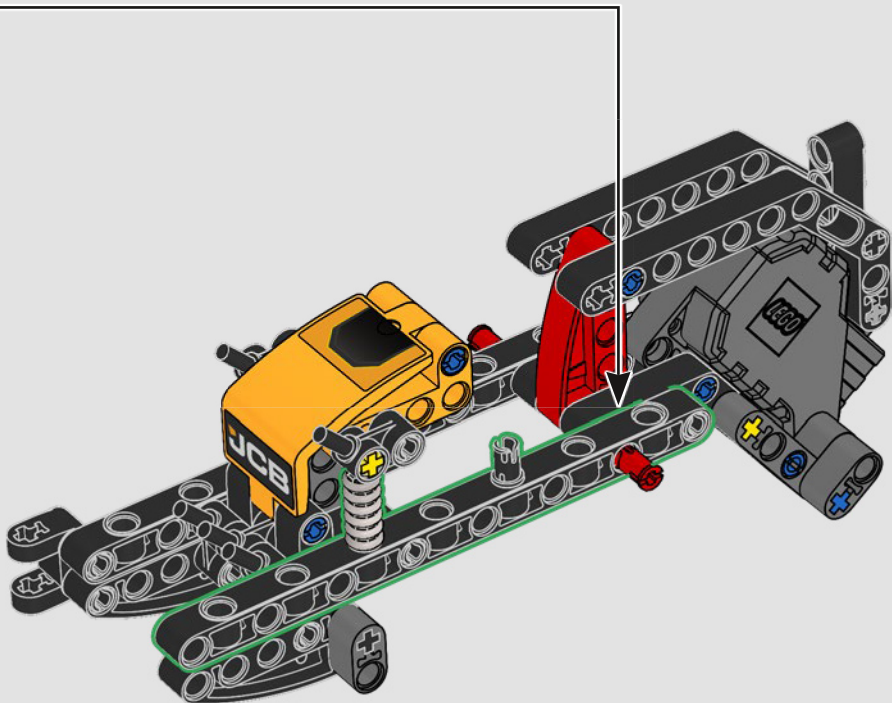


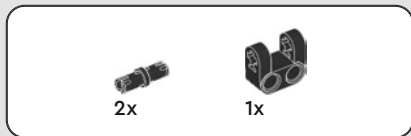
2



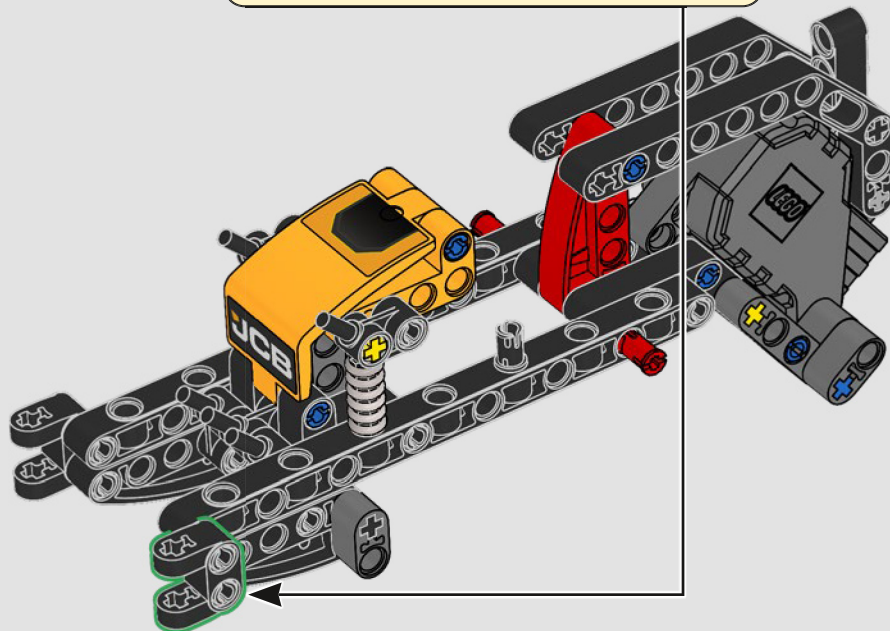
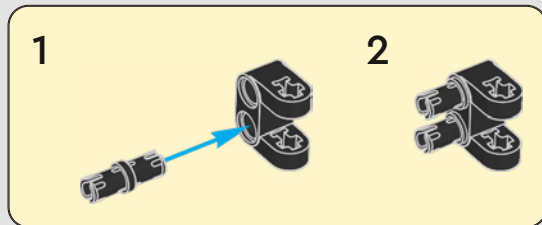
3







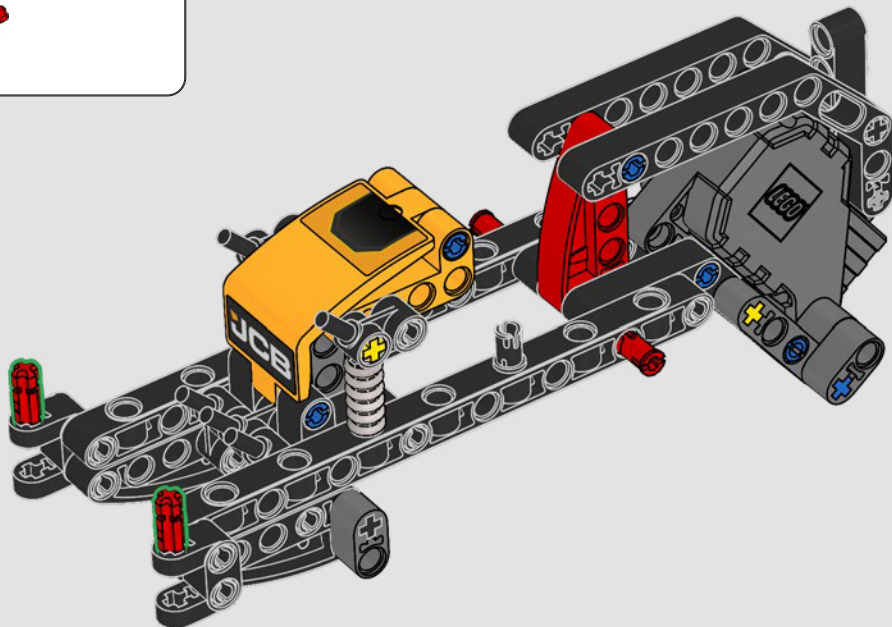
36

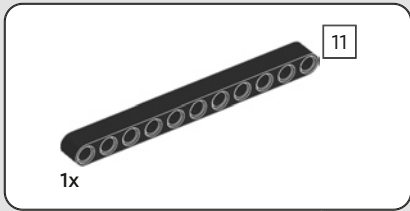




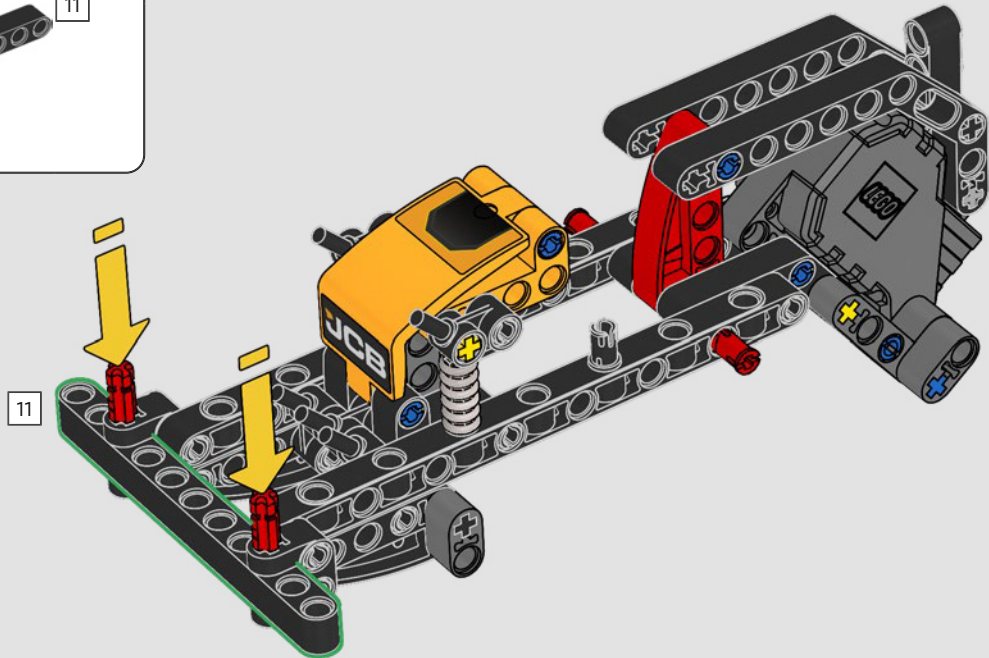
2x

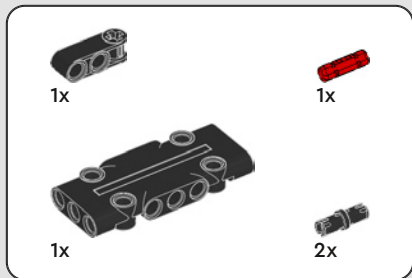
37



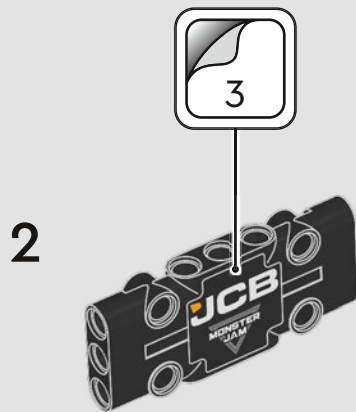
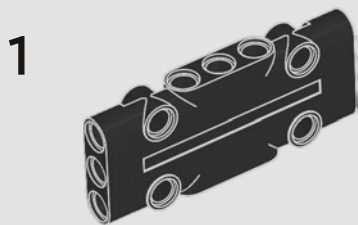


38

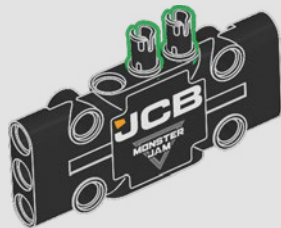




39



3

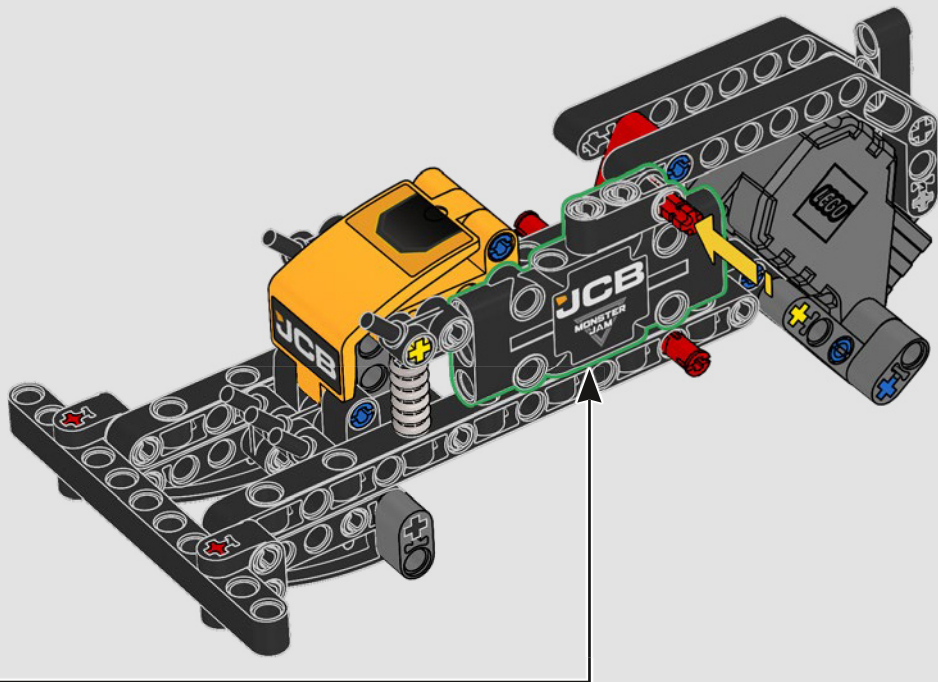


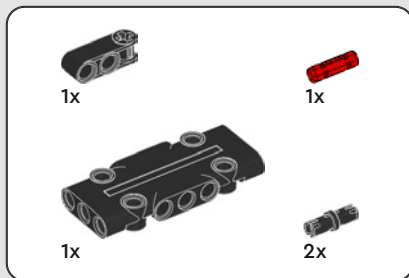
4



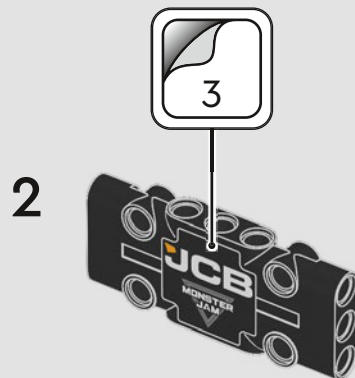
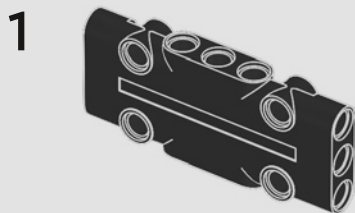
5



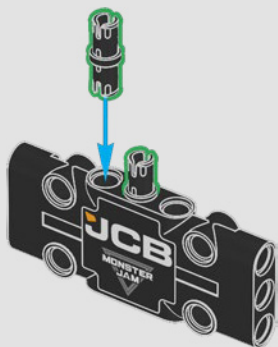




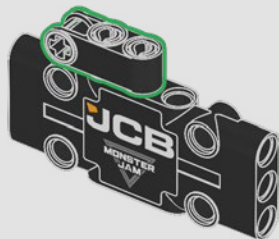
40



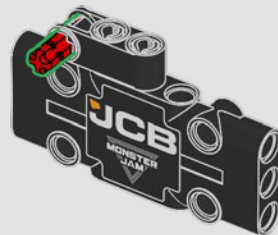
3

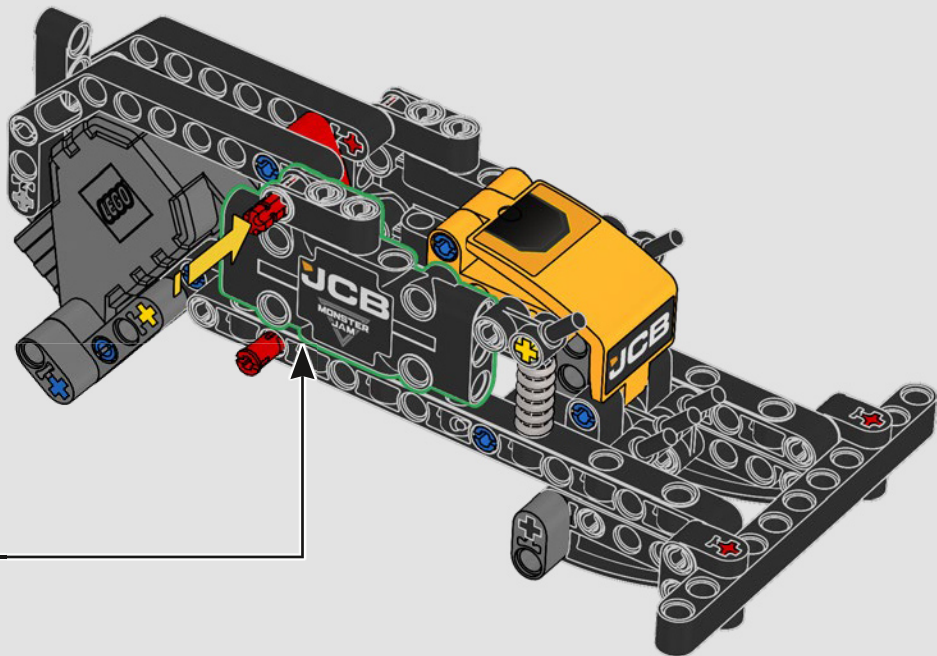


4



5







2x



4x



2x



2x



2x



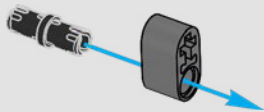
2x



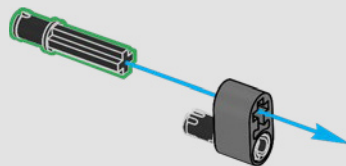
2x

41

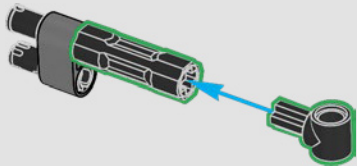
1



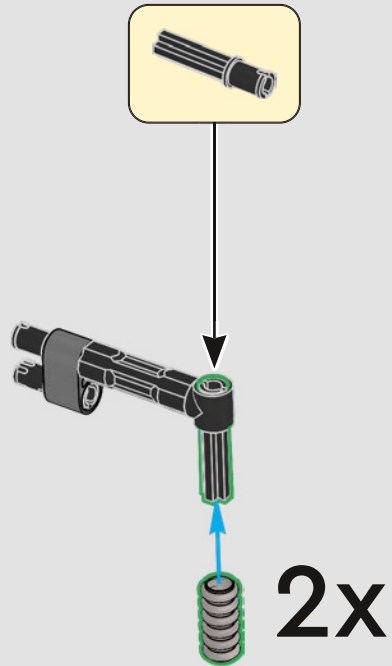
2

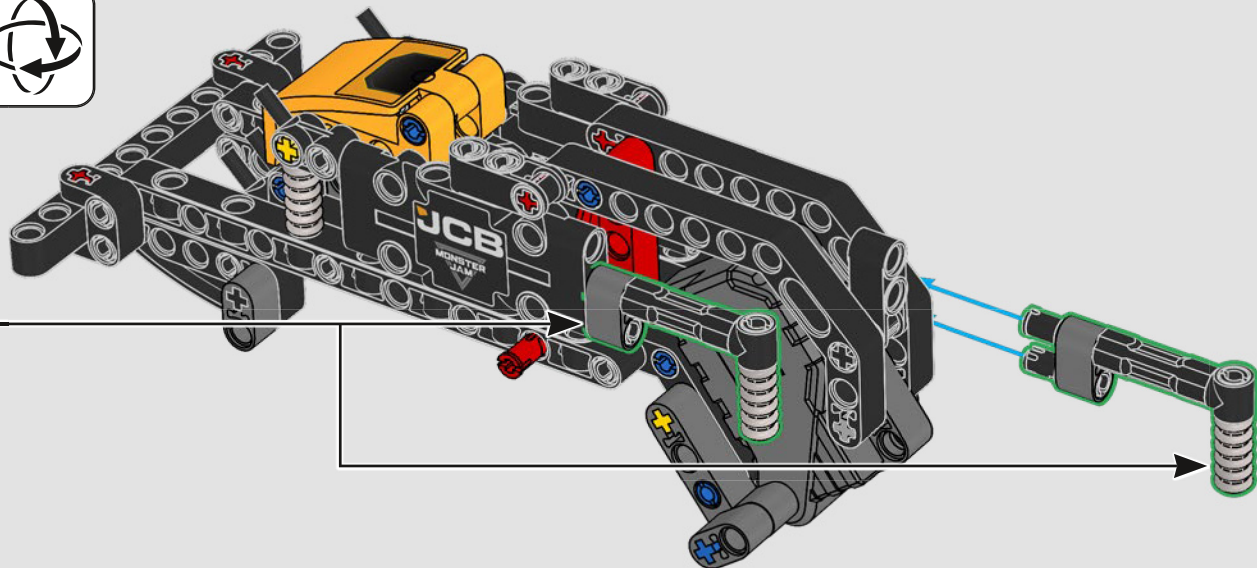


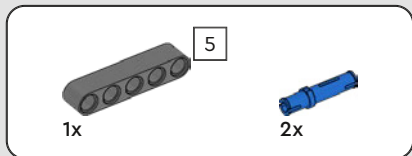
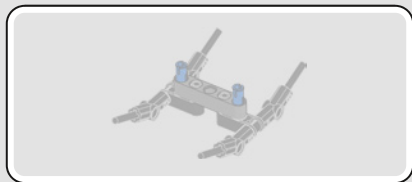
3



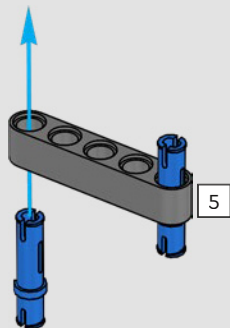
4



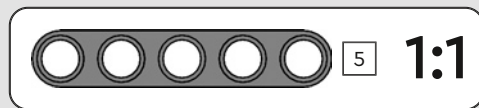
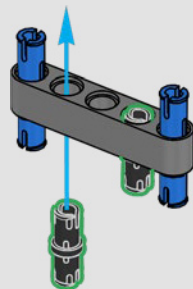


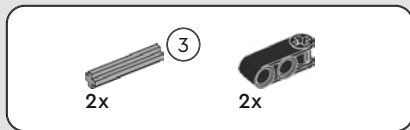


42

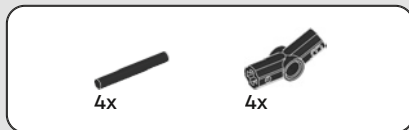
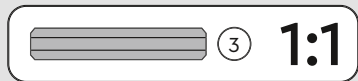
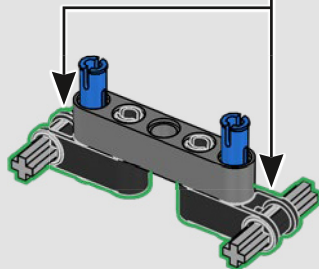
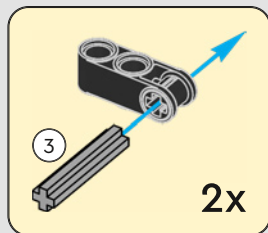


43

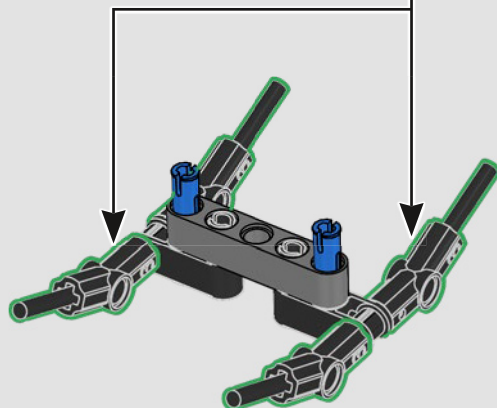
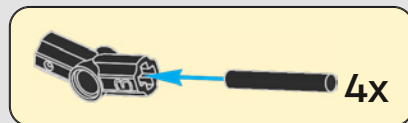




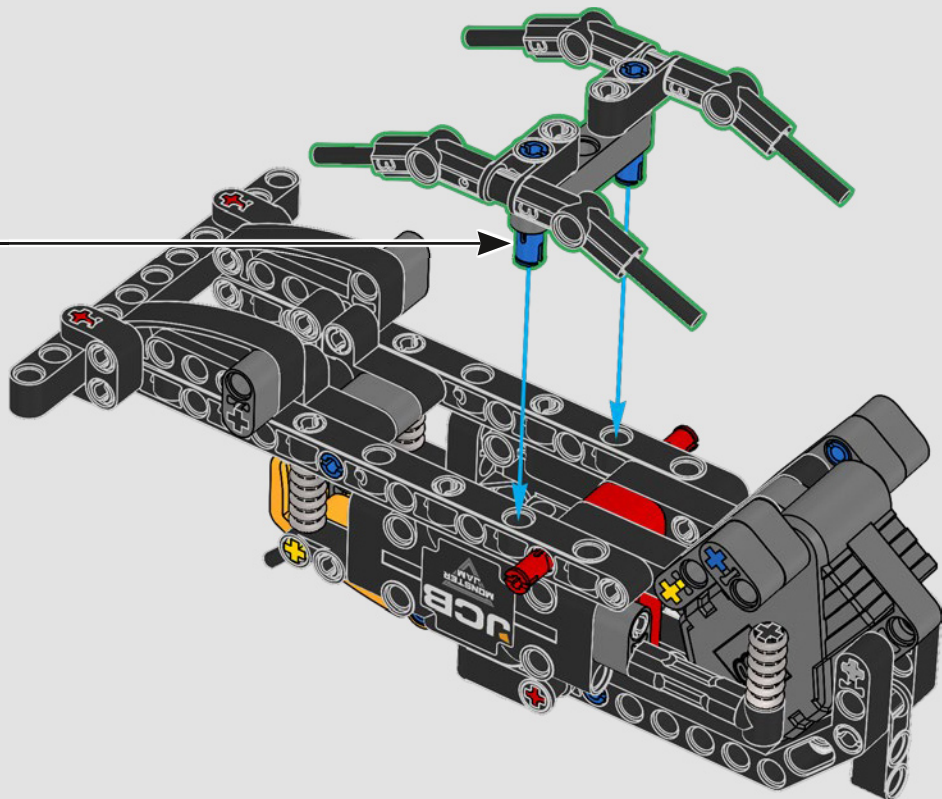
44



45



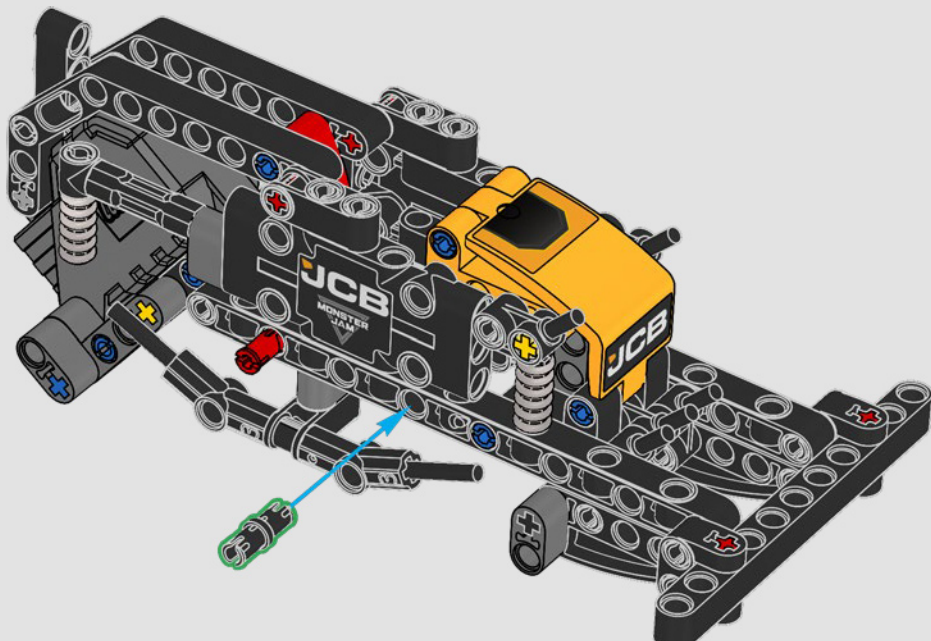
46

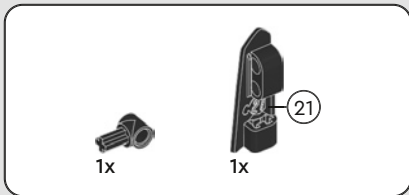




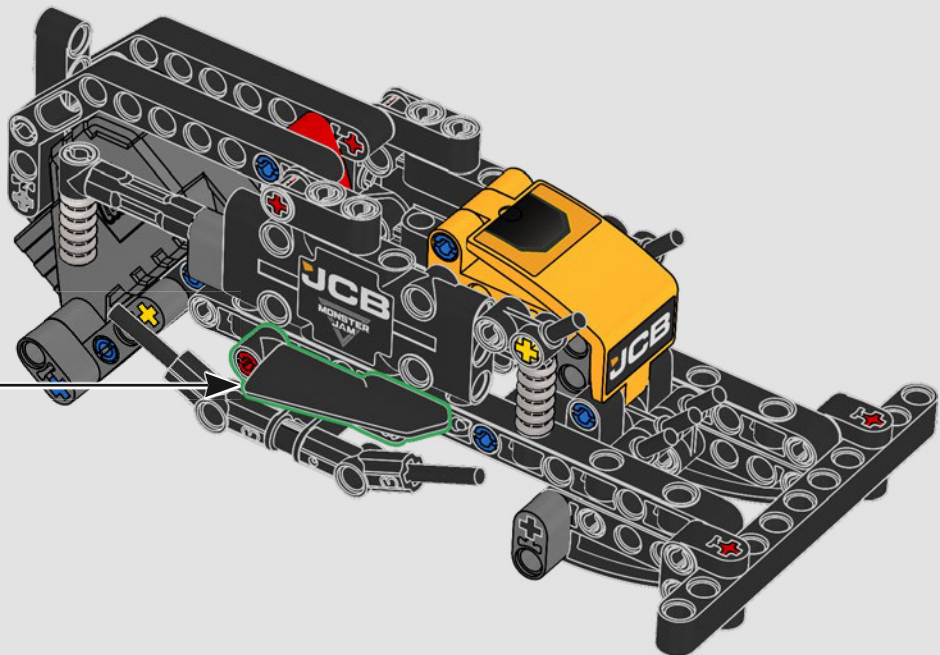
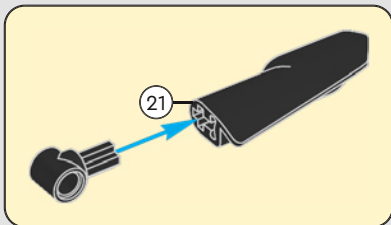
1x

47





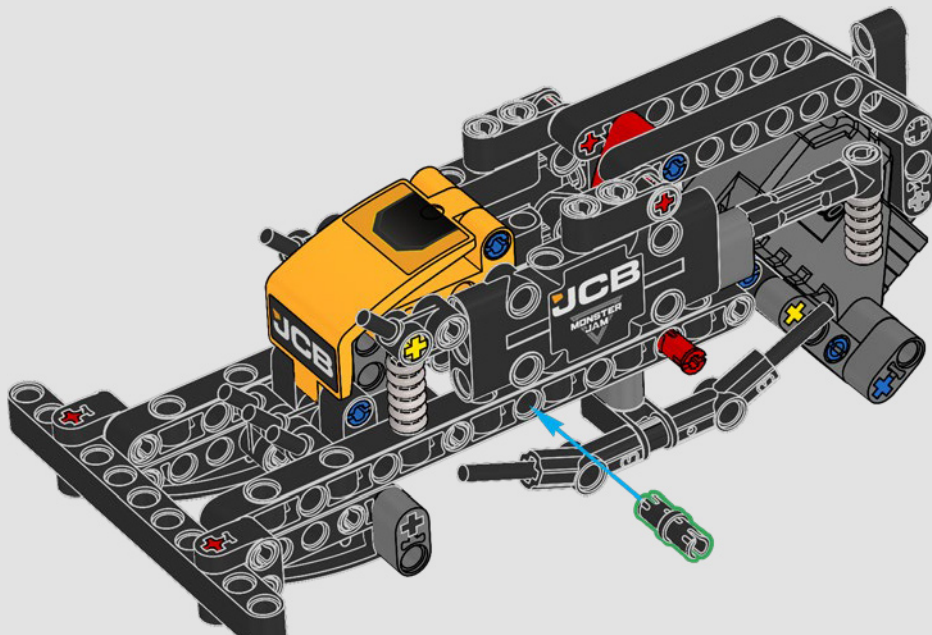
48

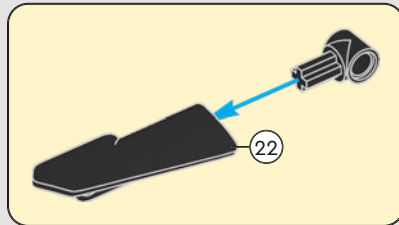
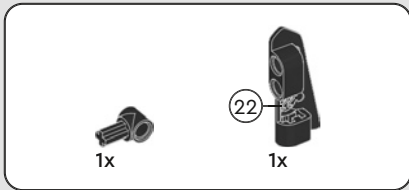




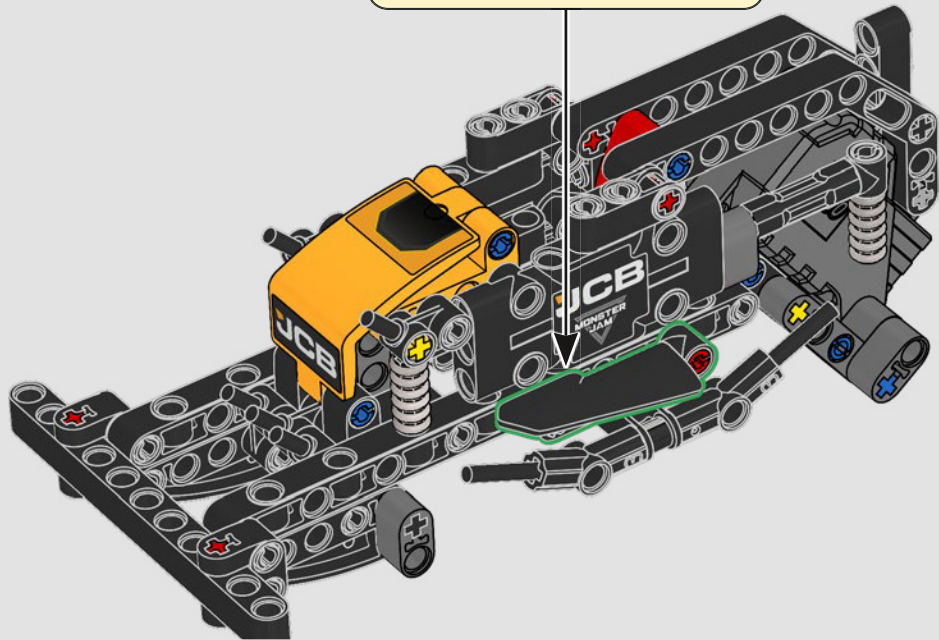
1x

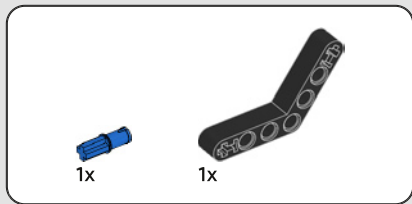
49



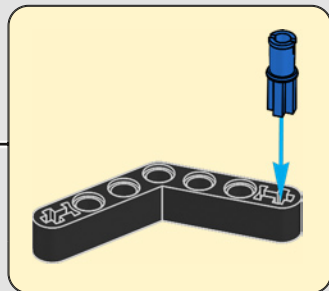
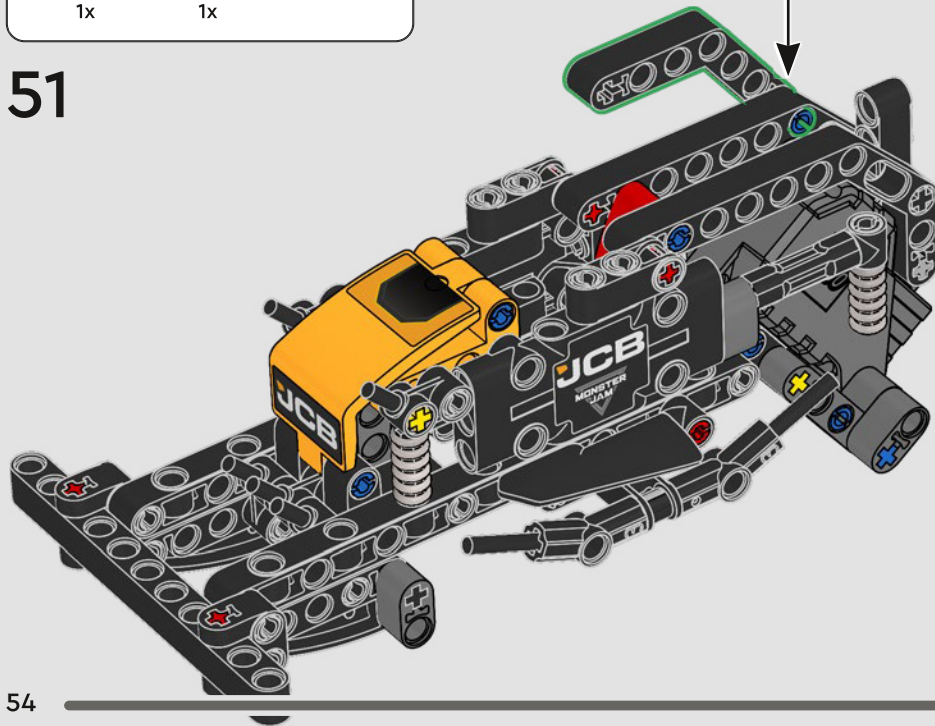


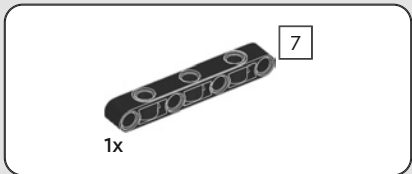
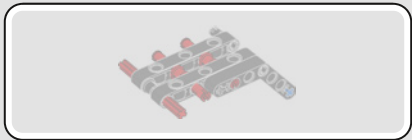
50



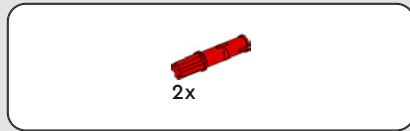
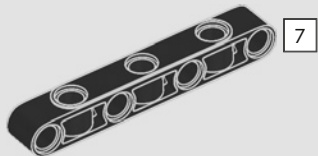


51

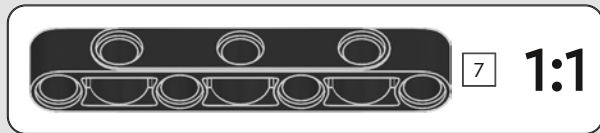
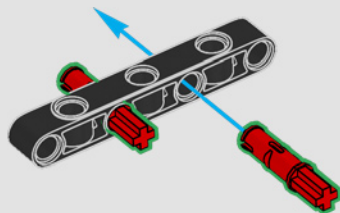




52



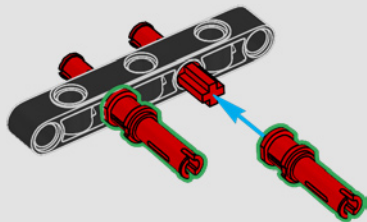
53





2x

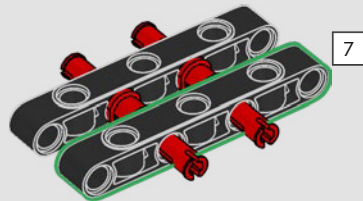
54



7

1x

55



7



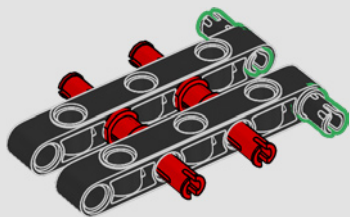
7

1:1



2x

56

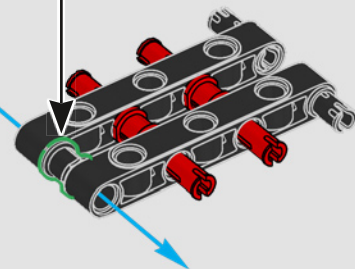
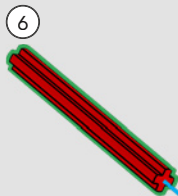


1x



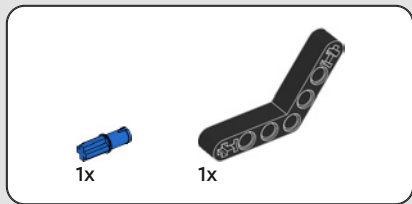
1x

57

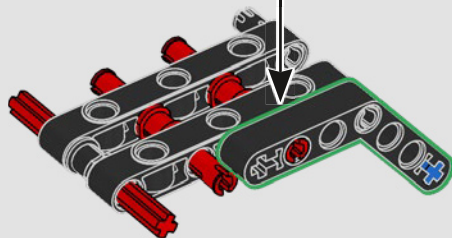
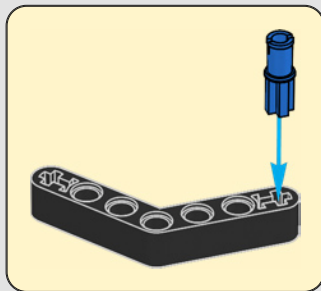


6

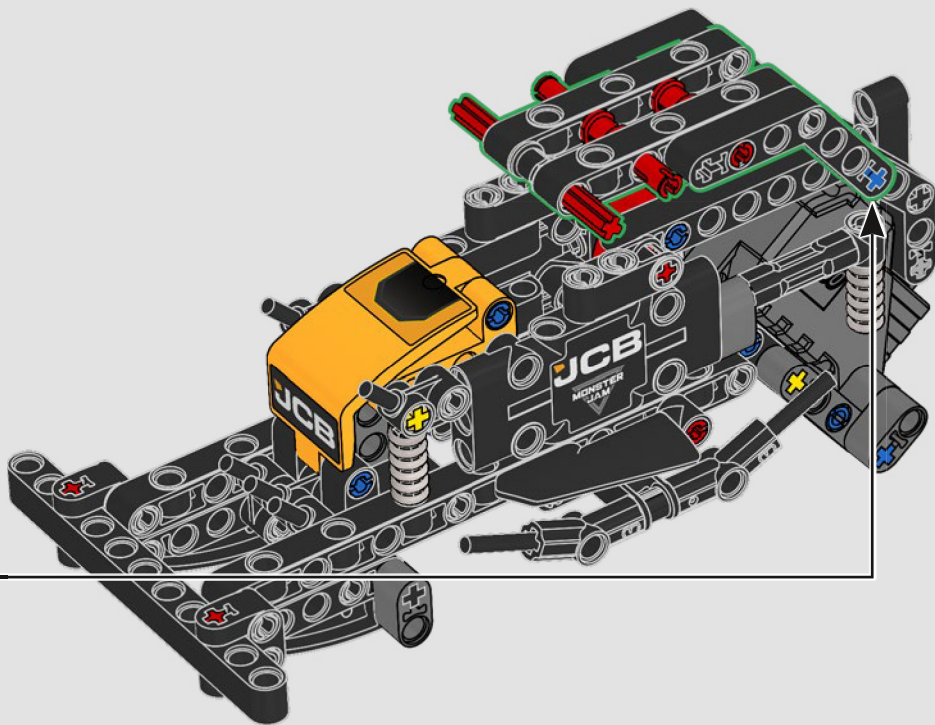
1:1



58



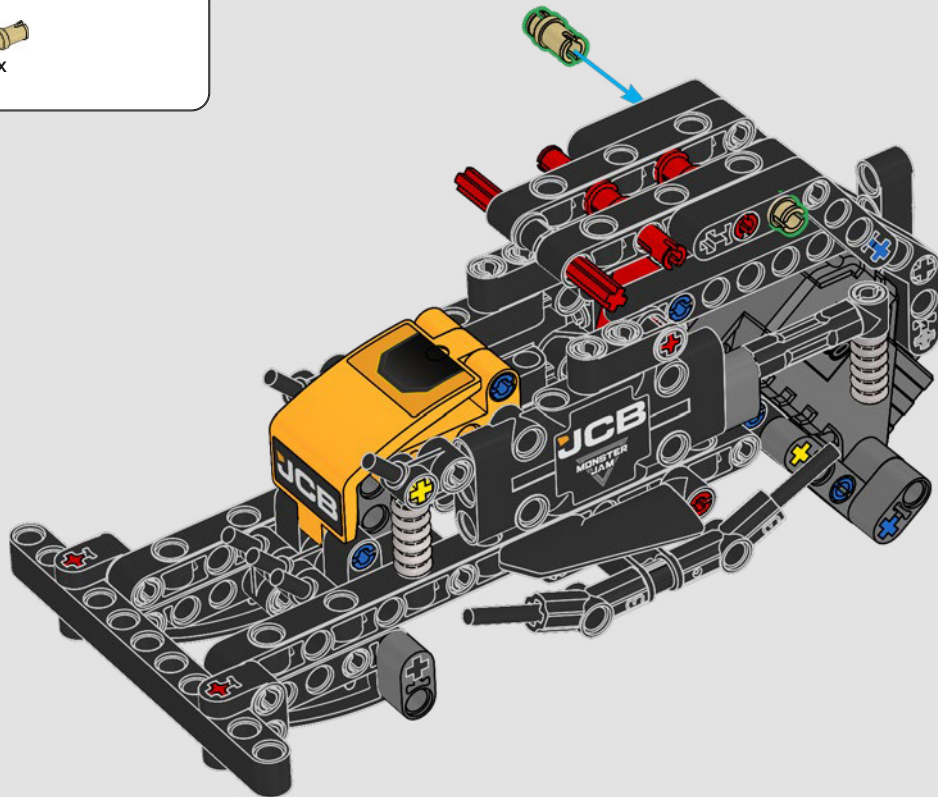
59





2x

60



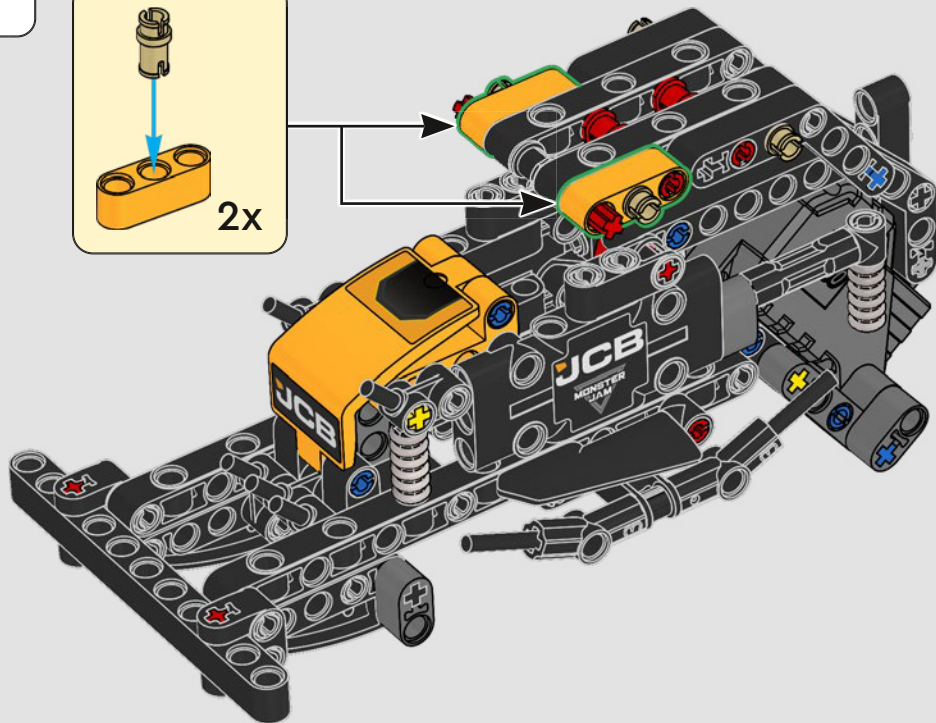
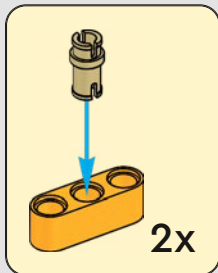


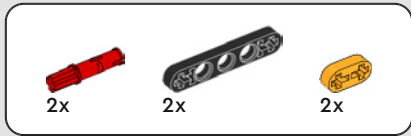
2x



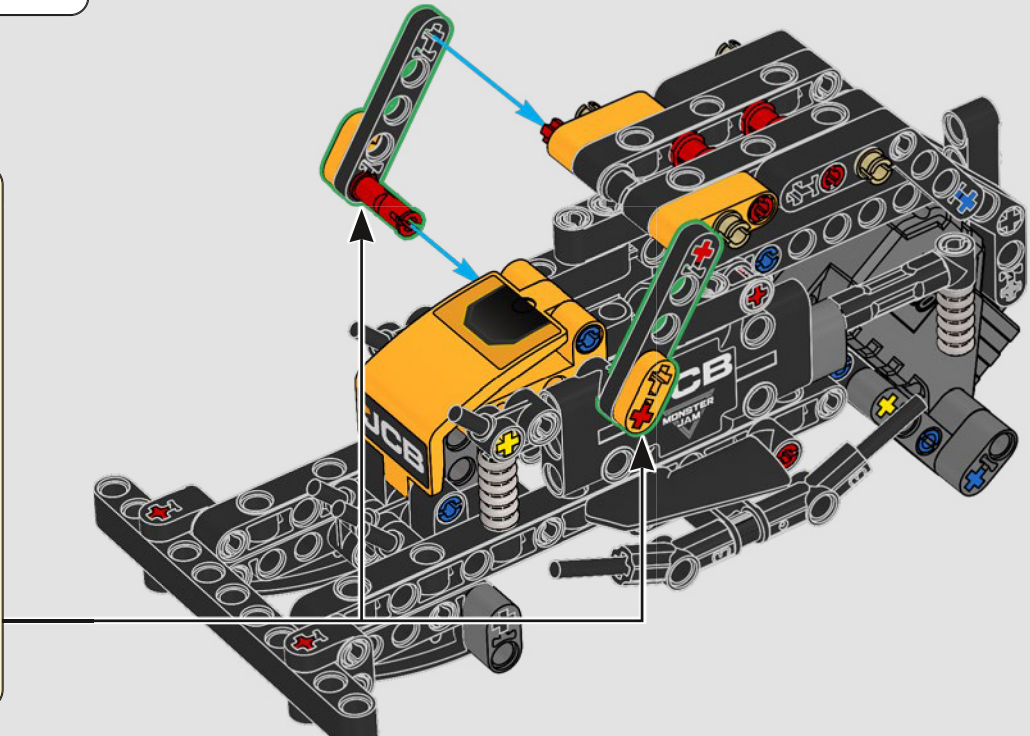
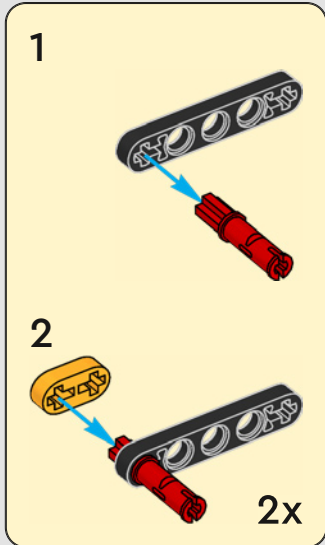
2x

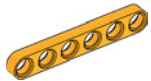
61





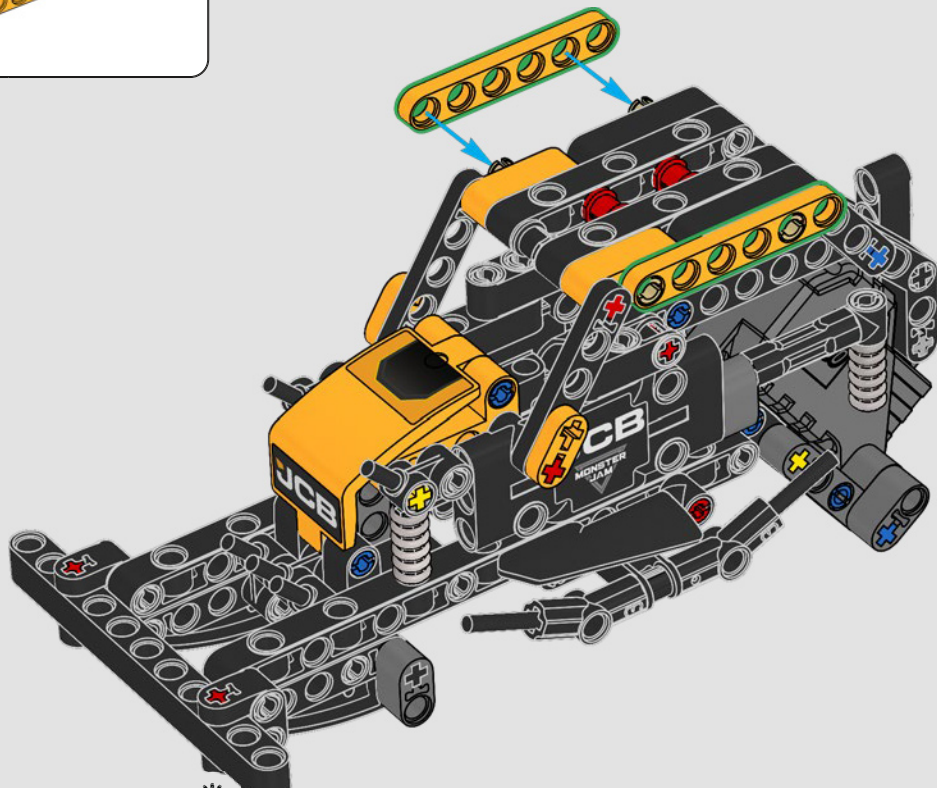
62





2x

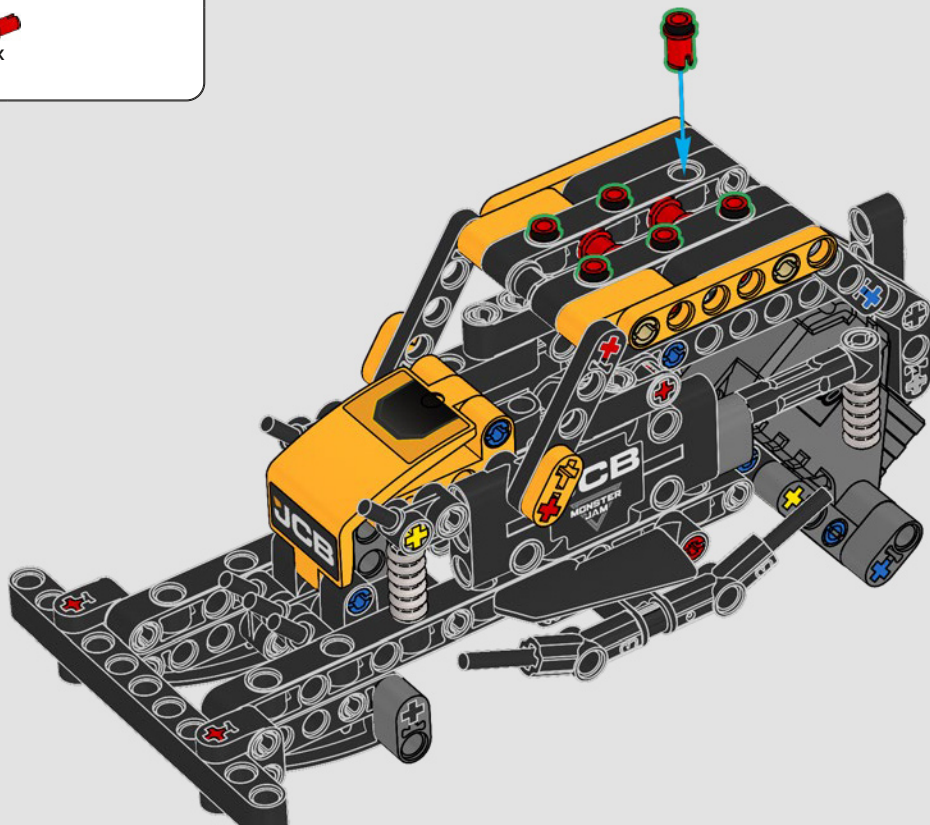
63

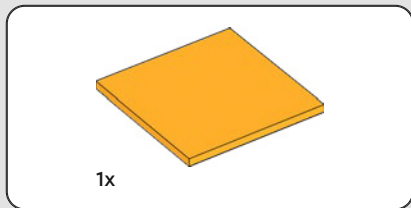




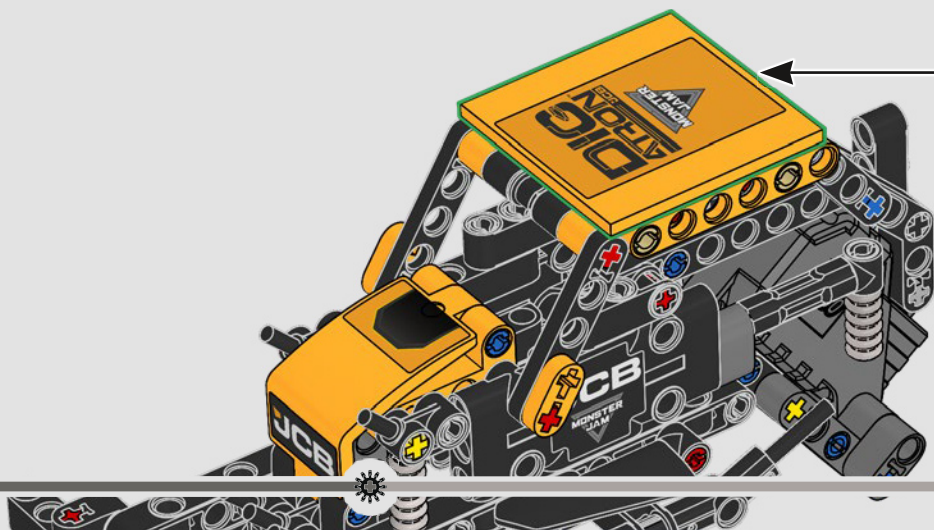
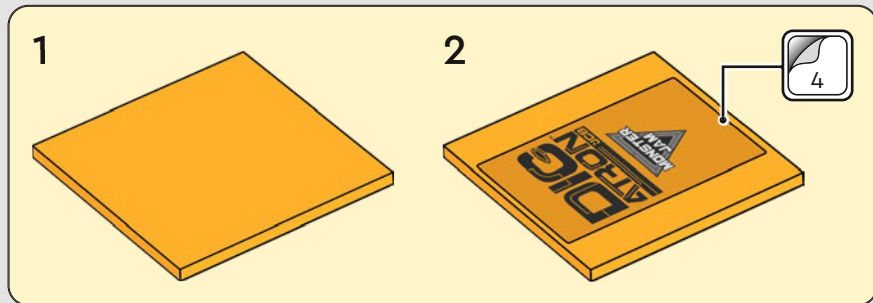
6x

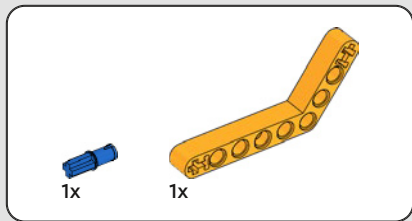
64



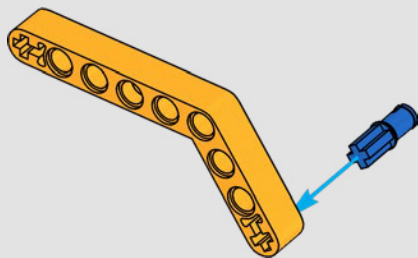


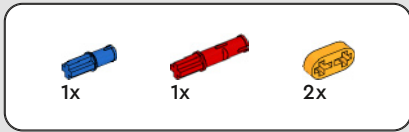
65



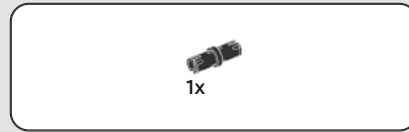
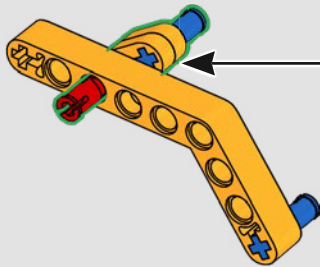
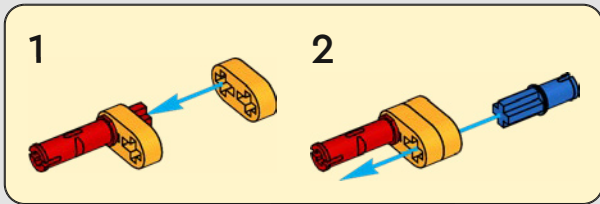


66

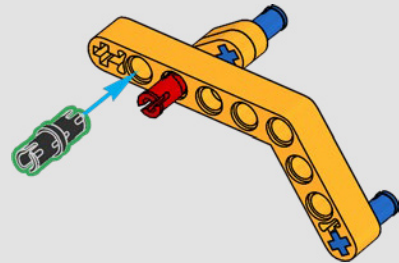




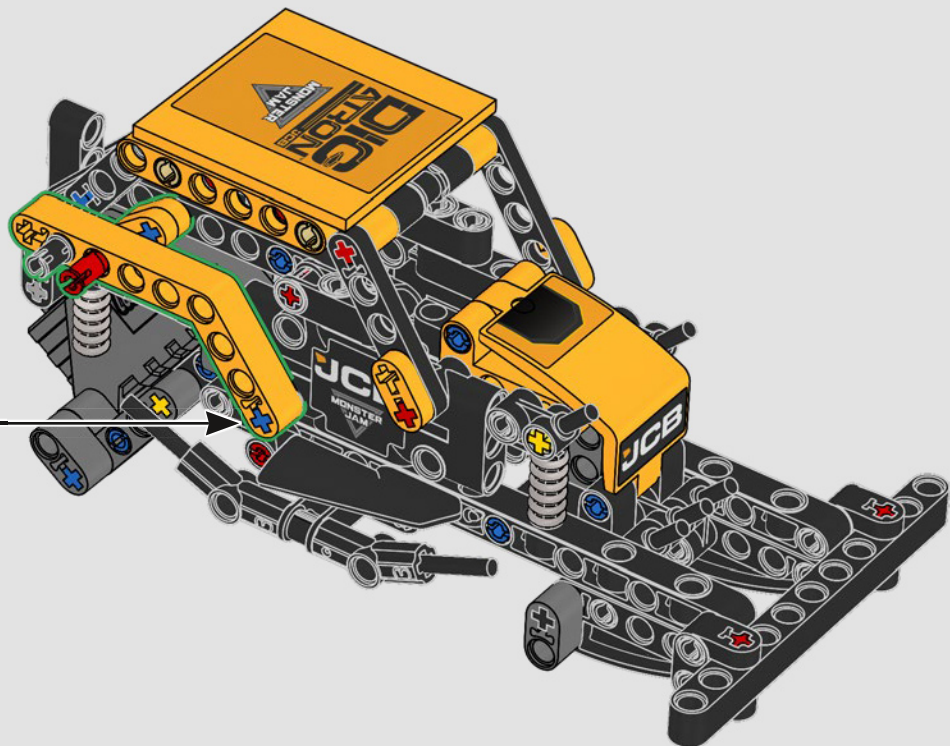
67

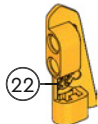


68



69

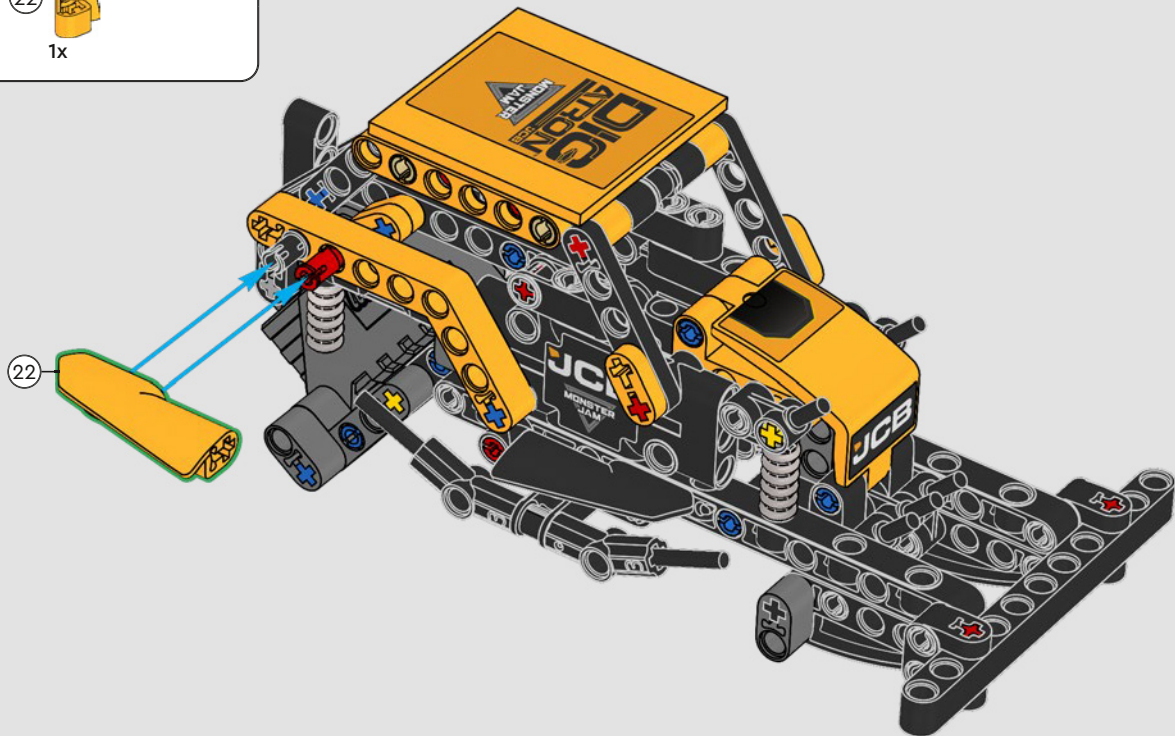




22

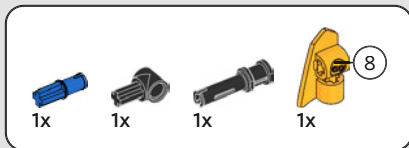
1x

70

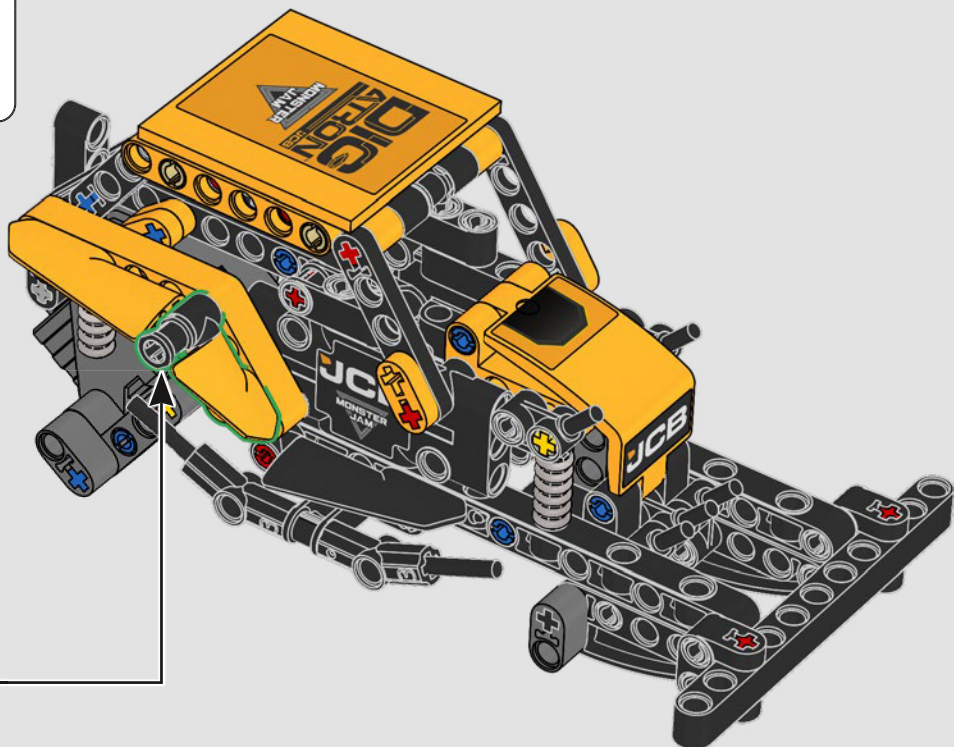
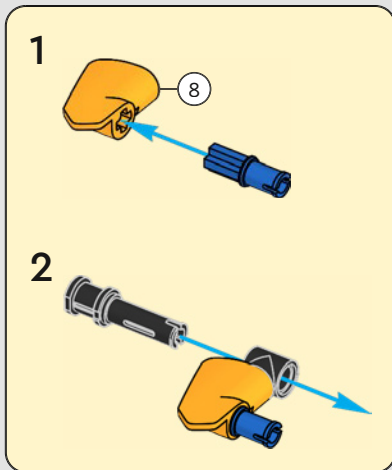


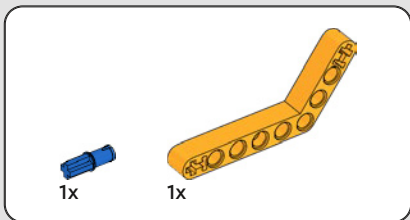
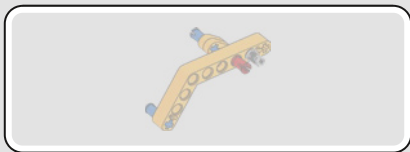
22



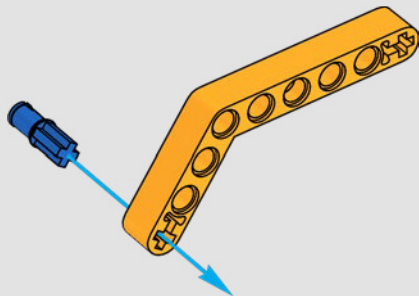


71





72





1x

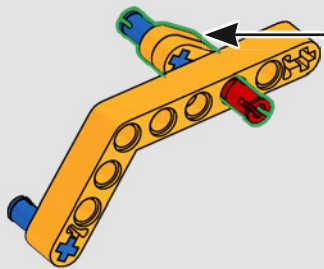
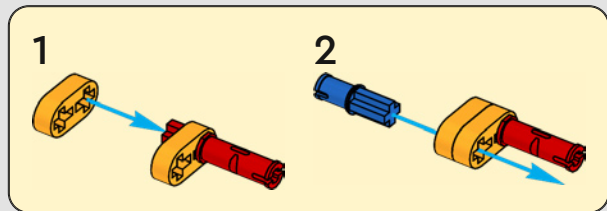


1x



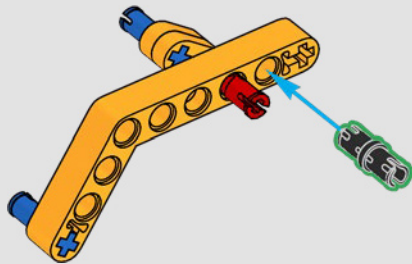
2x

73

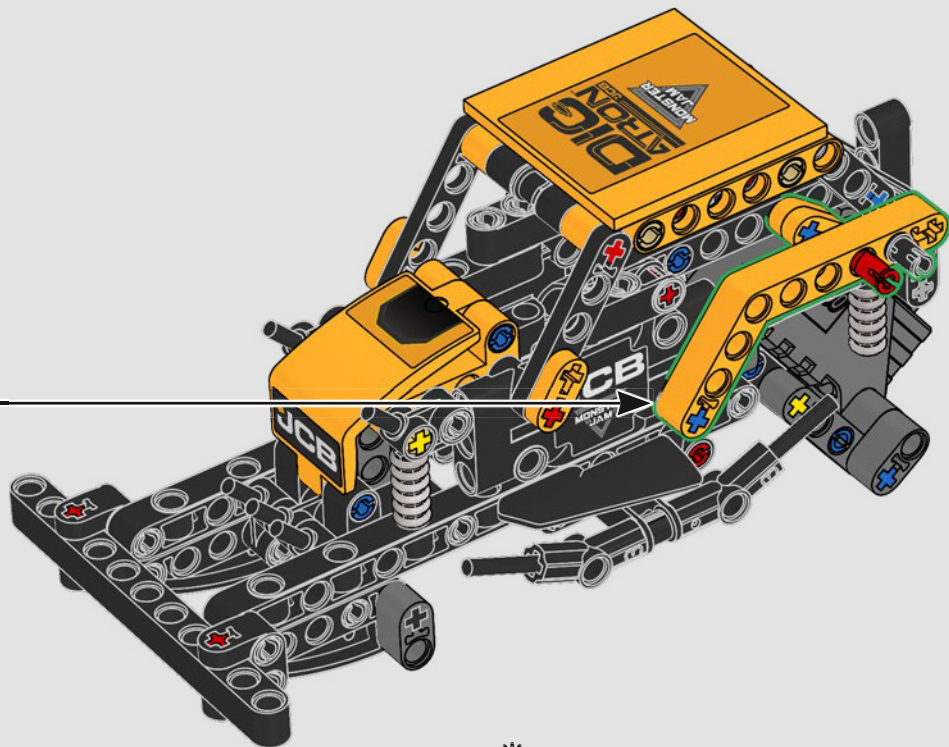


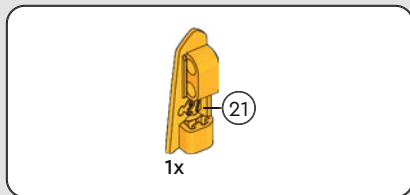
1x

74

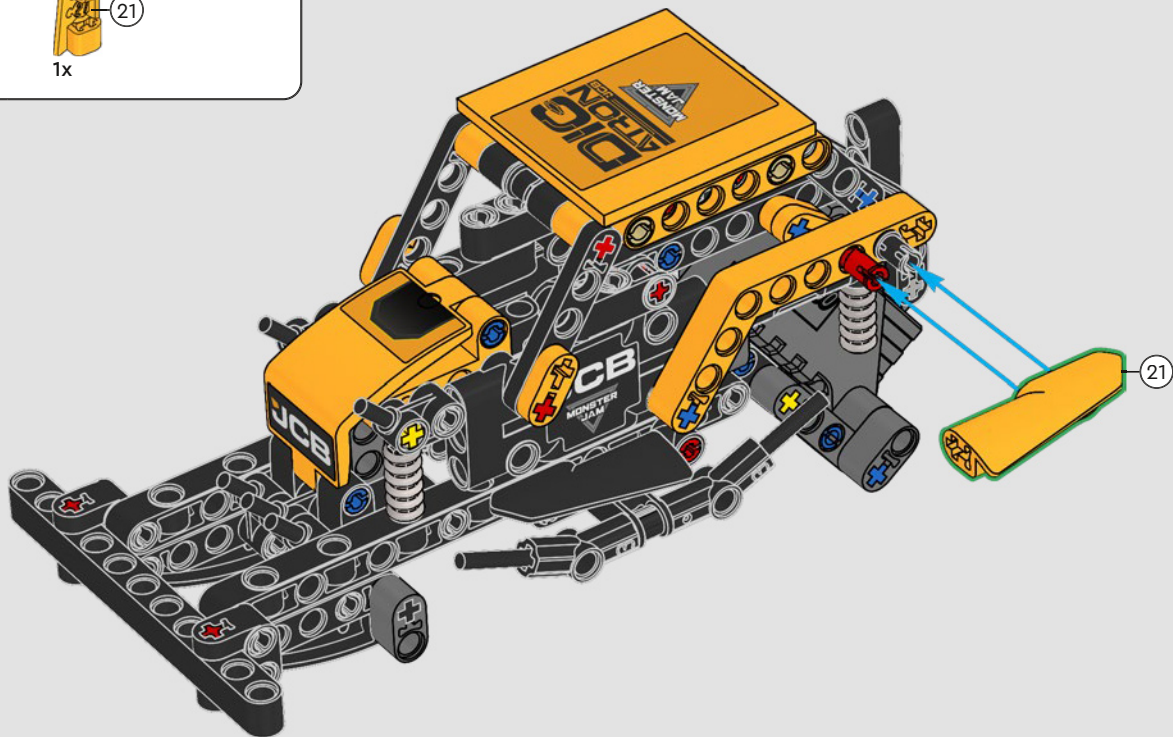


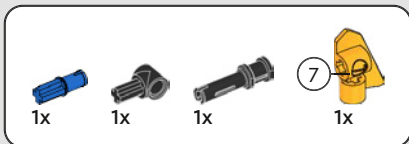
75



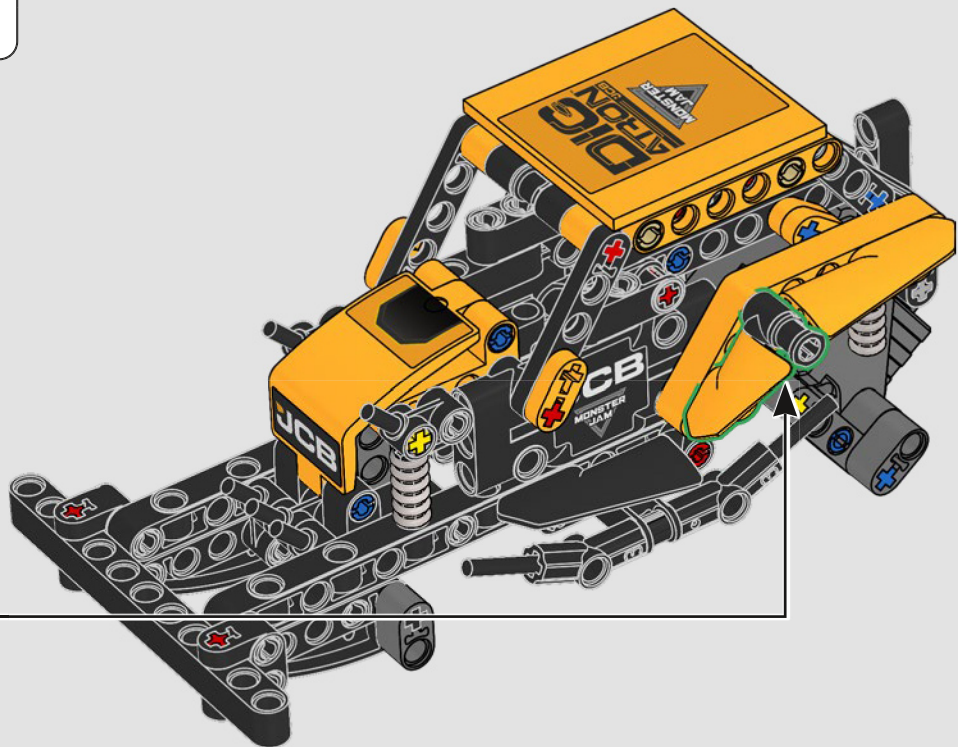
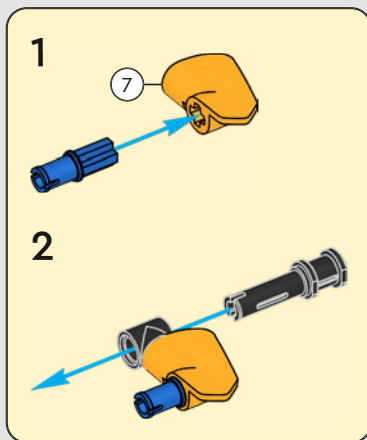


76





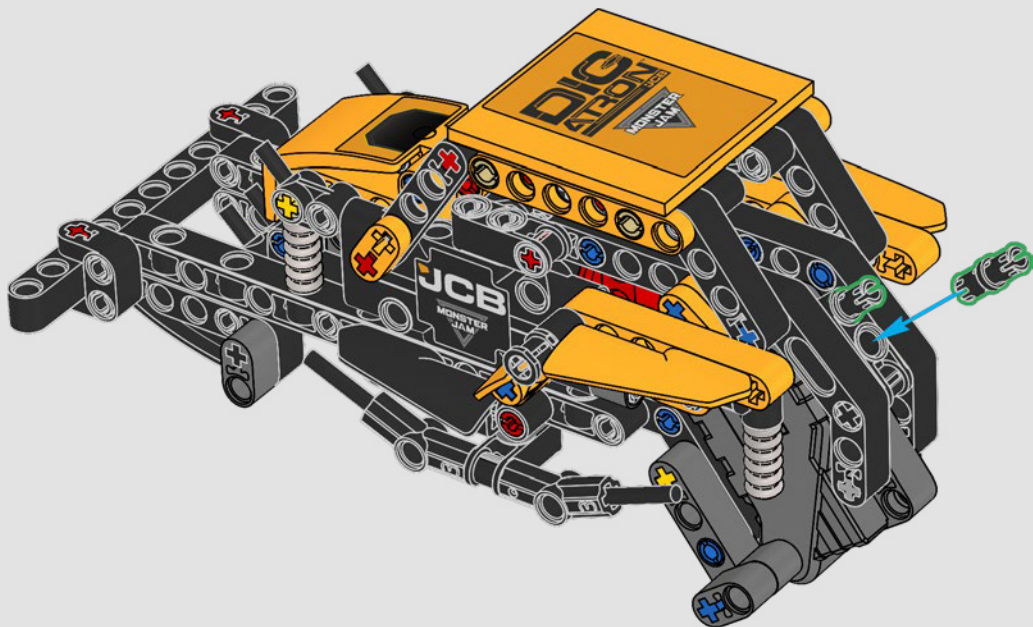
77

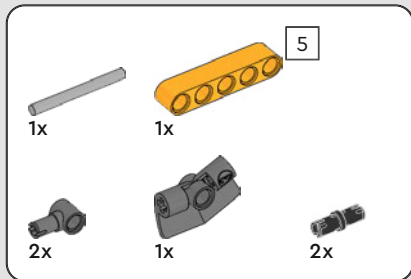
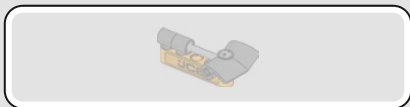




2x

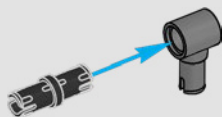
78



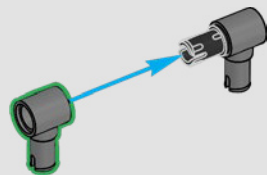


79

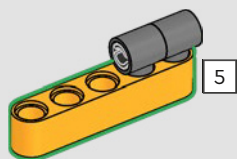
1



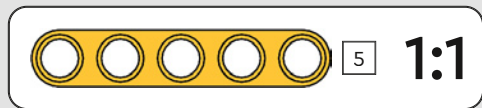
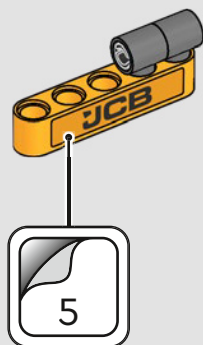
2



3

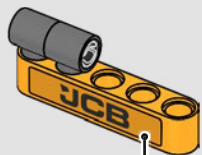


4

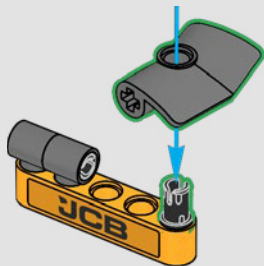




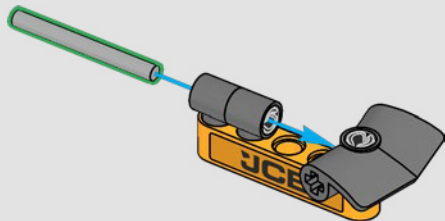
5

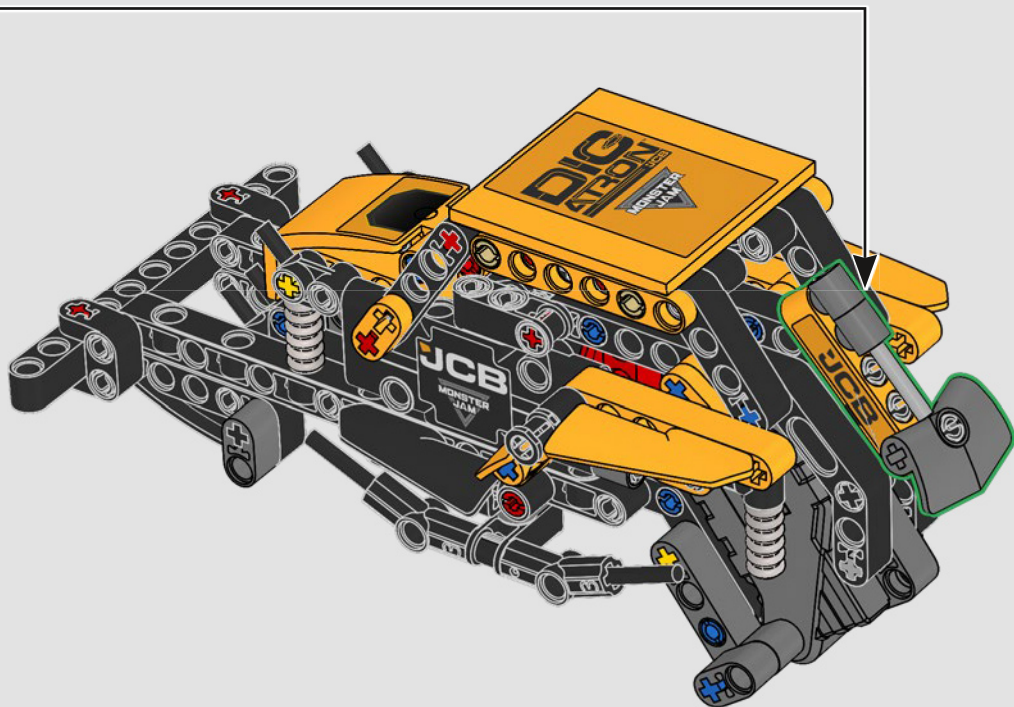


6



7





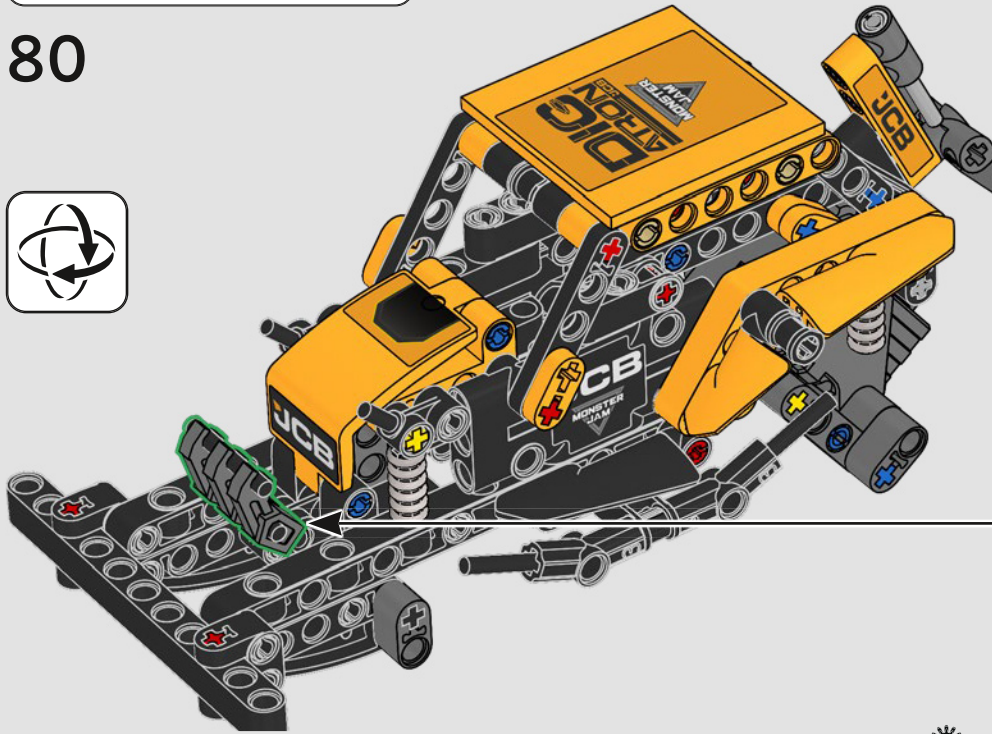
2x



3x



80



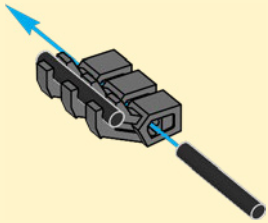
1



2



3



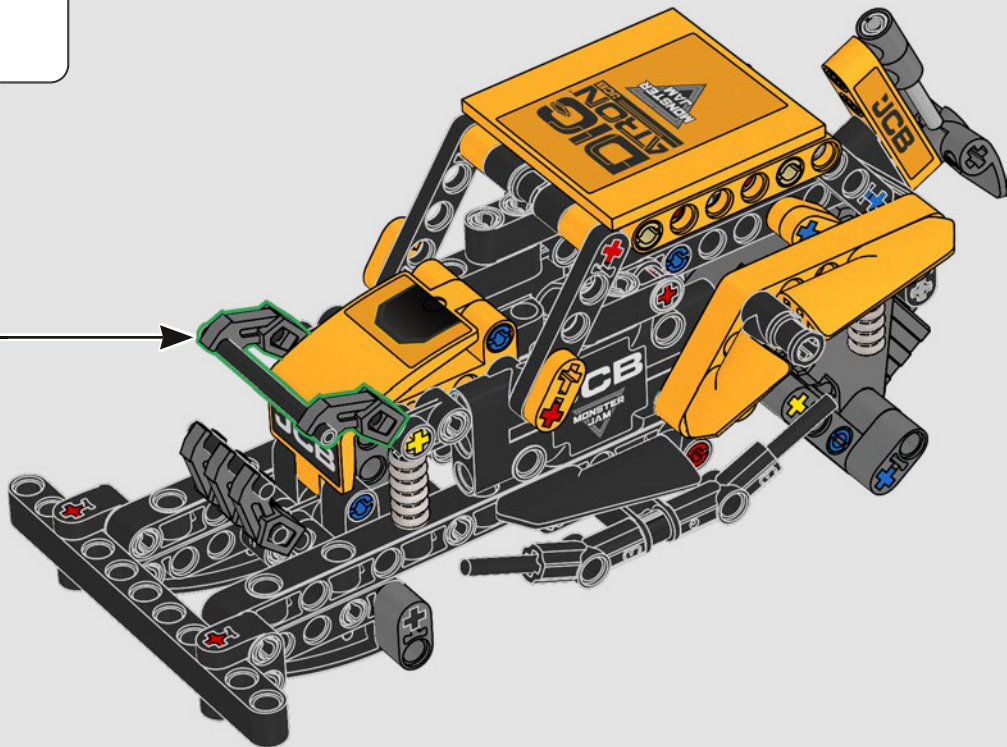
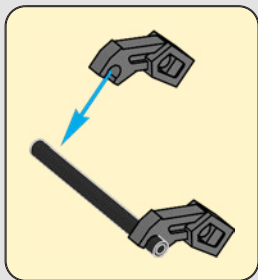


2x



1x

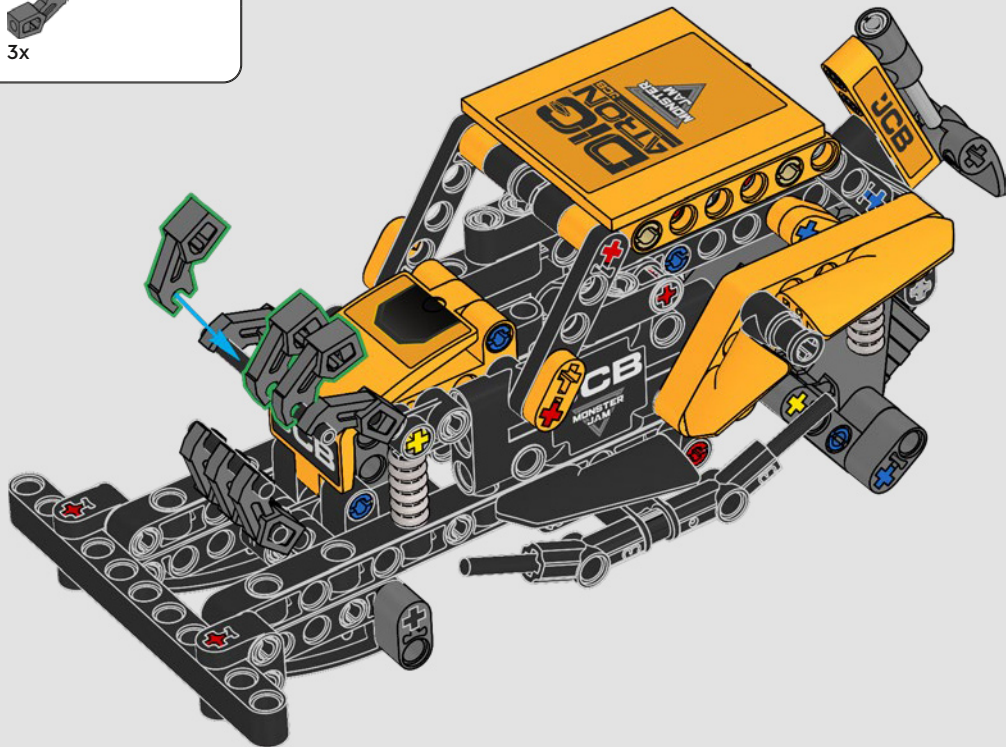
81





3x

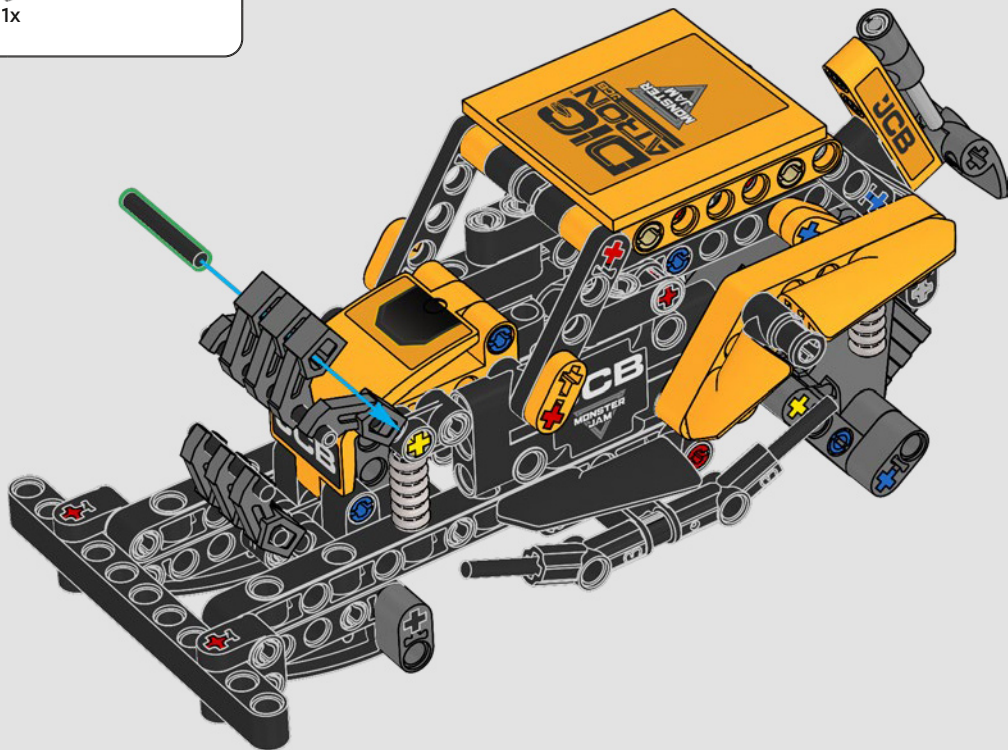
82



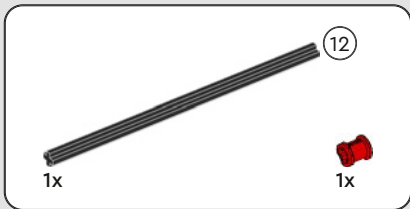
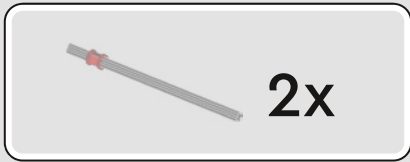


1x

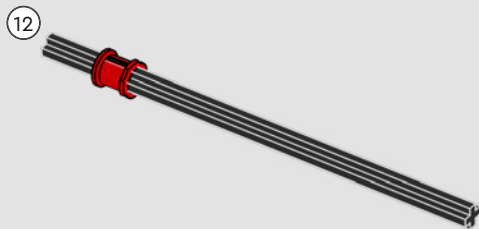
83



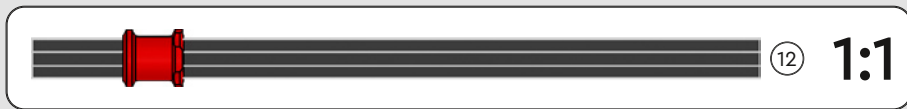
84

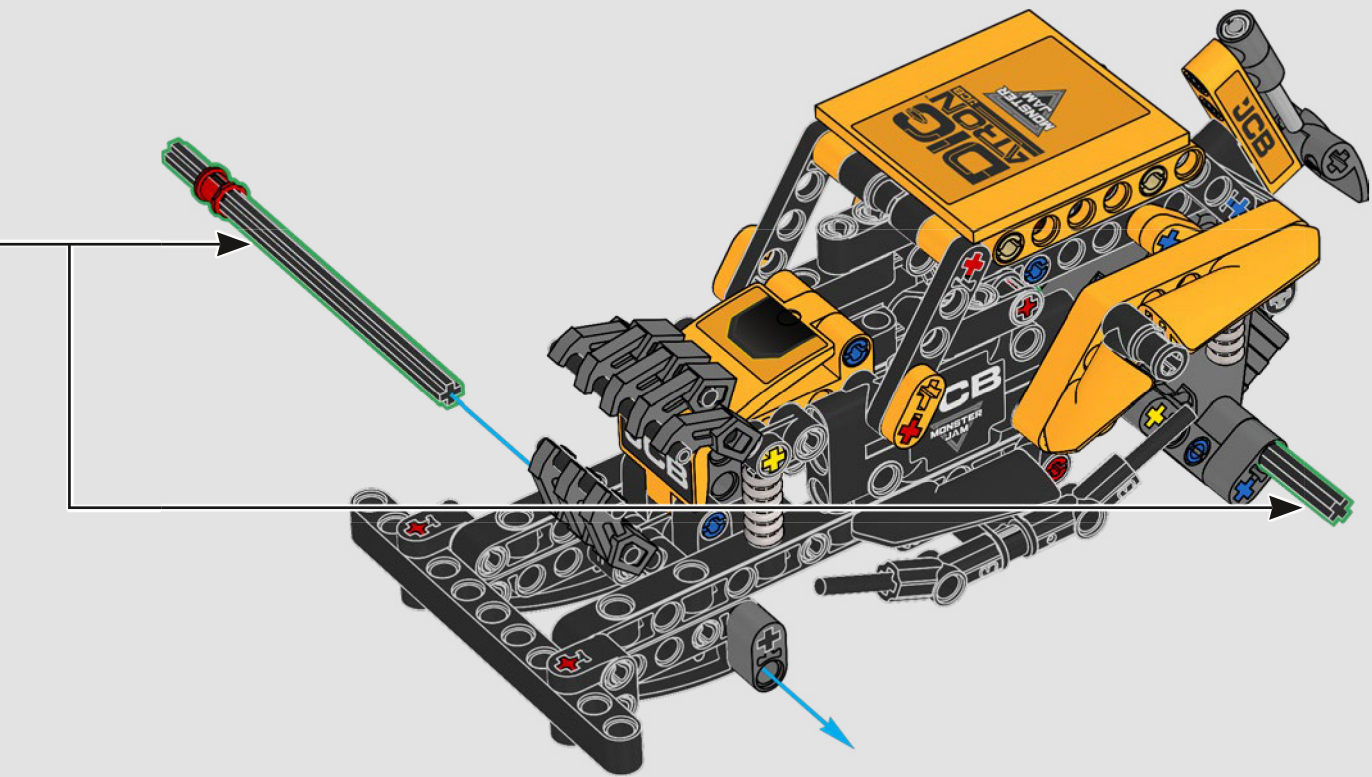


84



2x

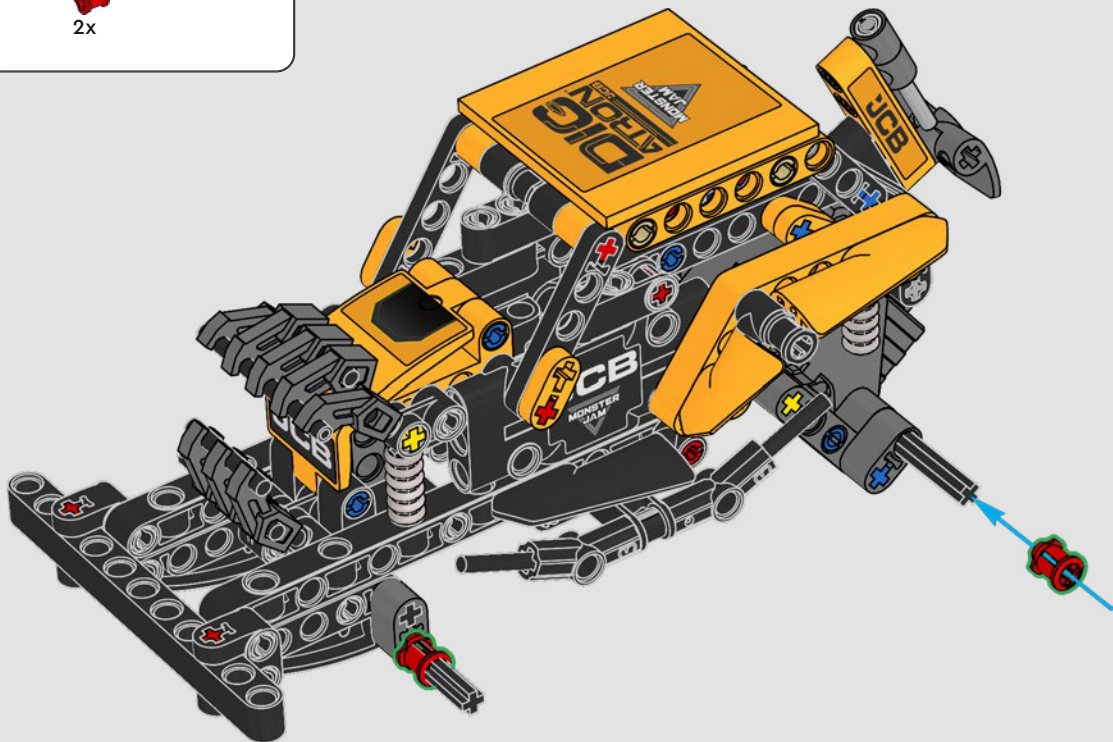


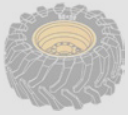




2x

85





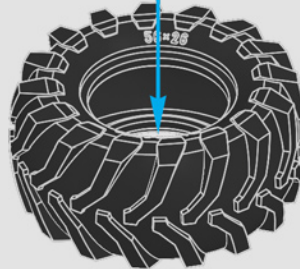
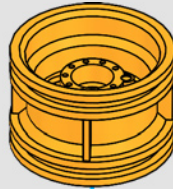
2x



1x



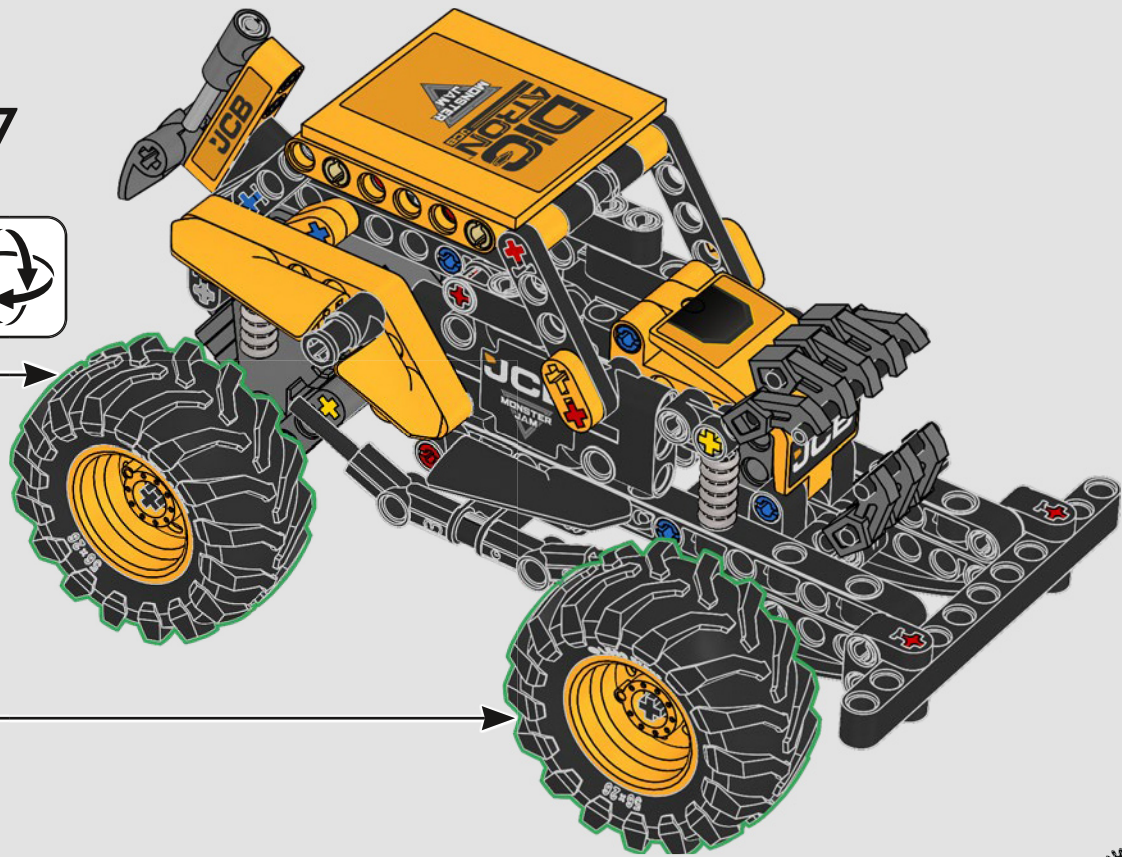
1x

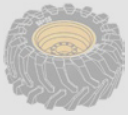


2x

86

87





2x

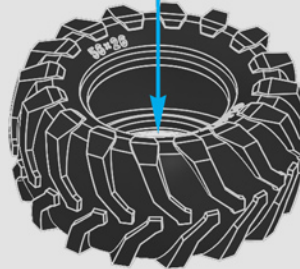
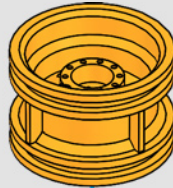


1x



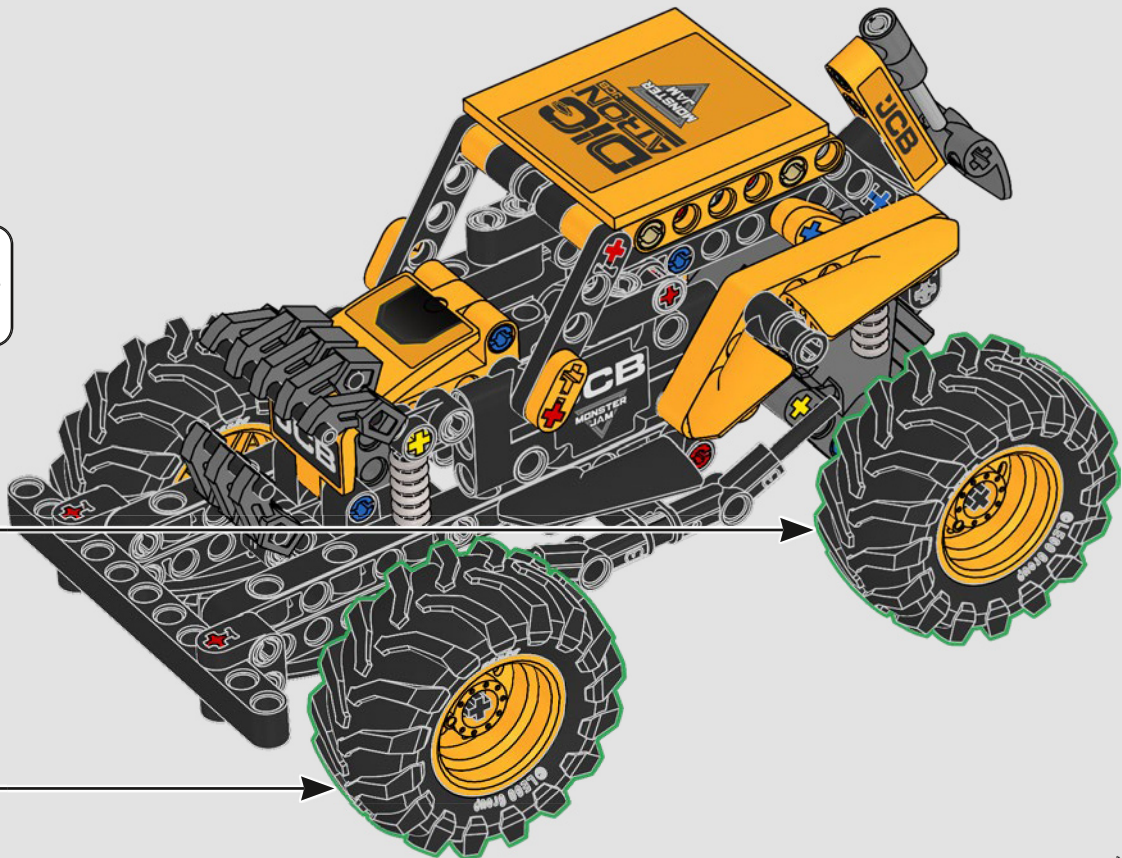
1x

88



2x

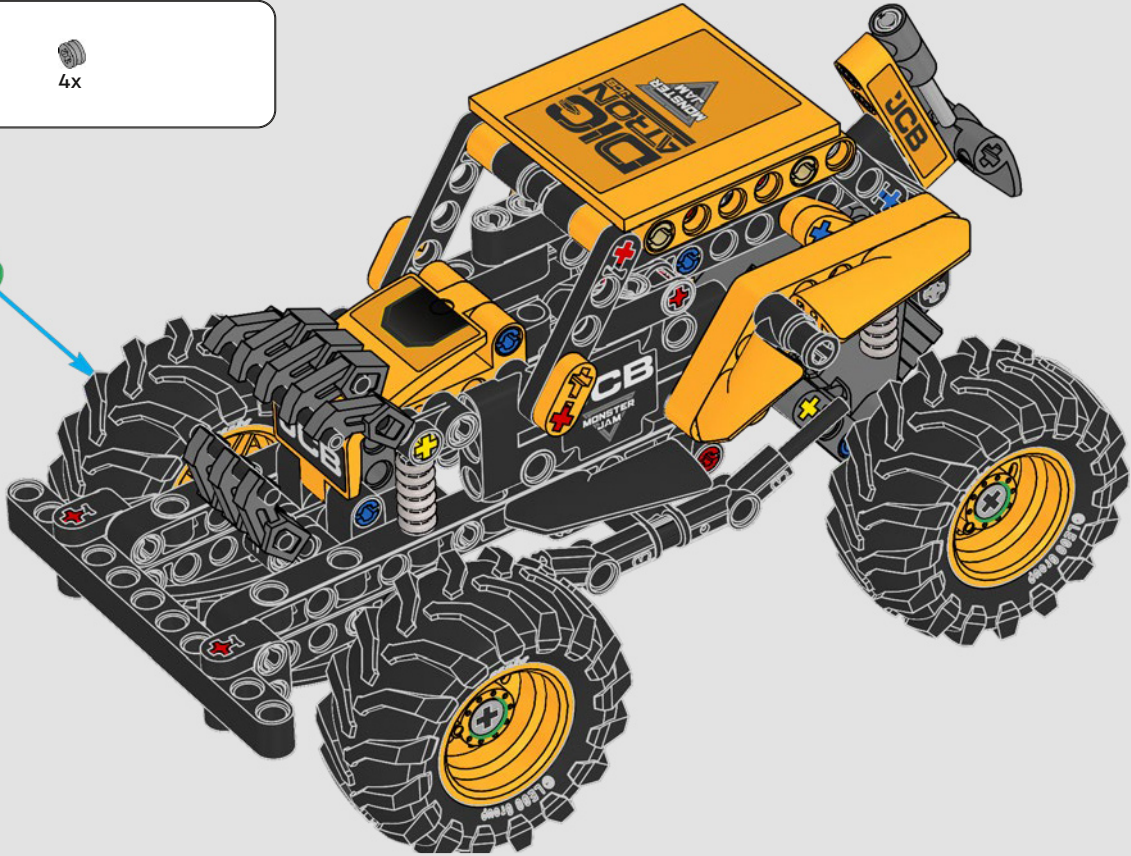
89

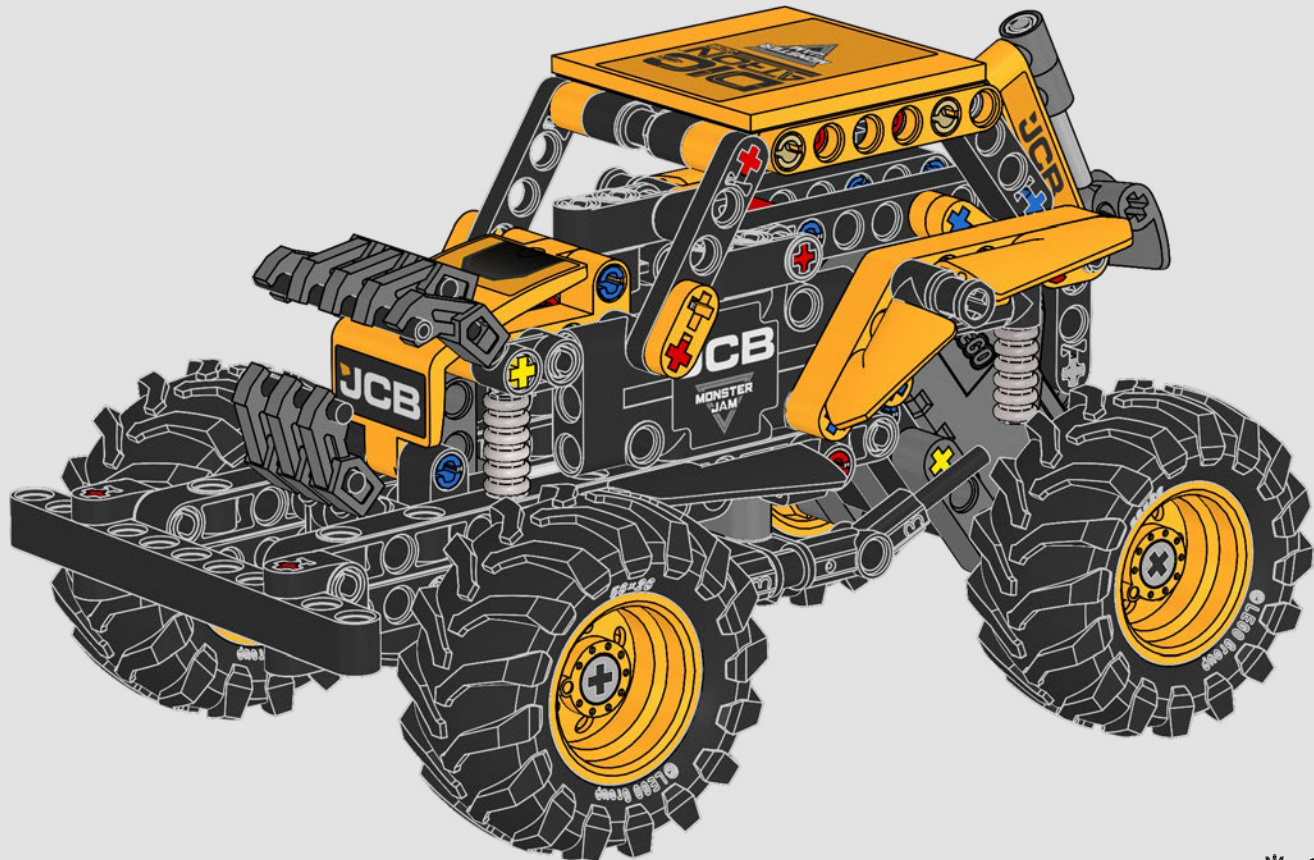




4x

90







TECHNIC™

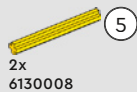
Rückziehmotor
Rétrofriction
Carga manual
回力功能
Napęd typu pull-back

Natahovací motor
Náťahovací motor
Hátrahúzó
Motor cu resort
Издърпване назад

Atvelkams
Tagasitõmmatav
Spyruoklinis
mechanizmas



**PULL
BACK**



2x
6130008



4x
6271820



6x
6378120



4x
4142865



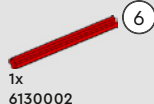
8x
6209519



2x
6347789



1x
6407068



1x
6130002



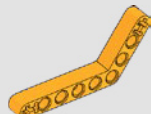
4x
6013938



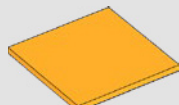
2x
6476803



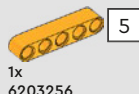
1x
6302731



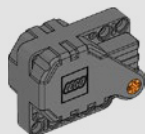
2x
6476813



1x
6525132



1x
6203256



1x
6143751



1x
6389721



1x
6513884



1x
6476816



2x
6418455



2x
6411444



6x
6476817



1x
6511000



4x
6528827



12x
4206482



11x
6299413



10x
6089119



2x
6321745



4x
6261386



6x
6253260



5x
6173124



2x
6286381



31x
6279875



5x
6273708



4x
6325260



1x
6319983



1x
6432743



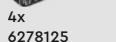
1x
6316923



2x
4552347



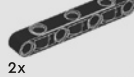
2x
6407066



4x
6278125



1x
6332148



2x
6435016



1x
6029578



2x
370826



7x
6093525



2x
6271152



2x
6321716



2x
6331935



2x
6327028



2x
6349281



4x
6271165



3x
4211815



1x
6116608



8x
6276870



2x
6282144



1x
6510093



3x
6271830



1x
4210686

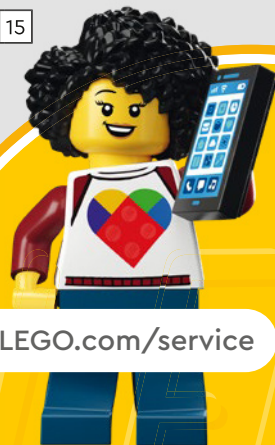


6x
6265093



4x
6525133

 [LEGO.com/service](https://www.LEGO.com/service)



YOU COULD
WIN



Scan this QR code or go to
LEGO.COM/PRODUCTFEEDBACK and give us
your short feedback about this LEGO® set for
a chance to win a cool LEGO prize.

Terms and Conditions apply*

EN: YOU COULD WIN. Terms and Conditions apply* **DE: Du könntest GEWINNEN.** Es gelten die Teilnahmebedingungen* **FR: Tu pourrais GAGNER.** Des conditions s'appliquent* **IT: Potresti VINCERE tu.** Termini e condizioni sono applicabili* **ES: Puedes GANAR.** Aplican términos y condiciones* **PT: Poderá GANHAR.** Aplicam-se termos e condições* **ZH: 轻松获奖. 条款和条件适用*** **PL: Szansa na WYGRANĄ.** Obowiązują warunki korzystania* **CS: Máte šanci VYHRÁT.** Platí všeobecné smluvní podmínky* **SK: Máte šancu VYHRAŤ.** Platia všeobecné zmluvné podmienky* **HU: TE IS NYERHETSZ.** Felhasználási feltételek érvényesek* **RO: Ai putea CÂȘTIGA.** Se aplică termeni și condiții* **BG: Можете да СПЕЧЕЛИТЕ.** Има определени правила и условия* **LV: Tu vari LAIMĒT.** Ir spēkā noteikumi un nosacījumi.* **ET: Sul on võimalus VÕITA.** Kehtivad tingimused* **LT: Jūs galite LAIMĖTI.** Taikomos sąlygos*

*[LEGO.com/productfeedback-terms](https://www.lego.com/productfeedback-terms)

LEGO and the LEGO logo are trademarks of the LEGO Group. ©2025 The LEGO Group.

©2025 Feld Motor Sports, Inc. MONSTER JAM™, DIGatron™ Pull-Back, and all related logos and characters/designs are intellectual property of and used under license from Feld Motor Sports, Inc. All rights reserved. JCB™ LOGOS ARE TRADEMARKS OF JCB™ USED UNDER LICENSE.

6556967