



Questo manuale d'istruzione è fornito da trovaprezzi.it. Scopri tutte le offerte per [Lenovo Smart Clock 2](#) o cerca il tuo prodotto tra le [migliori offerte di Diffusori Audio](#)



Questo manuale d'istruzione è fornito da trovaprezzi.it. Scopri tutte le offerte per [Lenovo Smart Clock 2](#) o cerca il tuo prodotto tra le [migliori offerte di Diffusori Audio](#)



Lenovo Smart Clock 2

User Guide

Basics

- All pictures and illustrations in this document are for reference only.
- The Google Home app supports both Android and iOS systems. This document uses the Android system as an illustrative example.
- Because the Google Home app will regularly be updated, refer to the latest version for the actual procedure and screenshots.

Before using this information and the product it supports, be sure to read the following:

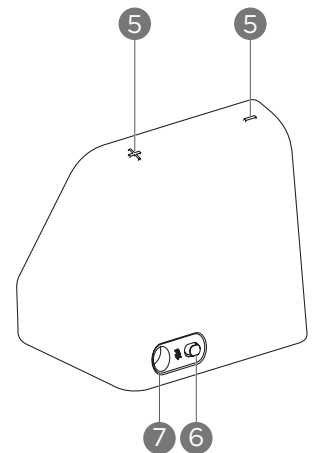
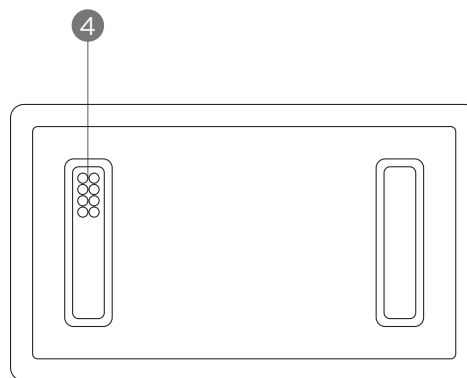
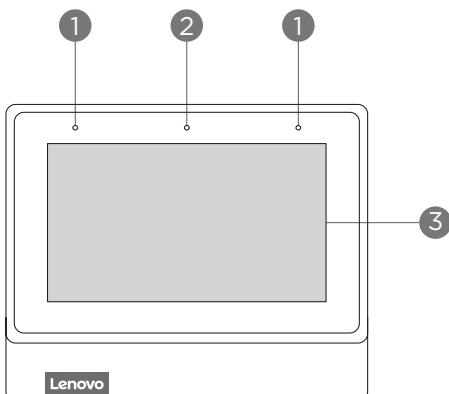
- Safety, Warranty & Quick Start Guide
- Regulatory Notice
- Important safety and handling information in Appendix

The Safety, Warranty & Quick Start Guide and the Regulatory Notice are available at:
<http://support.lenovo.com>

Getting started

Overview

Name	Model
Lenovo Smart Clock 2	Lenovo CD-24502F

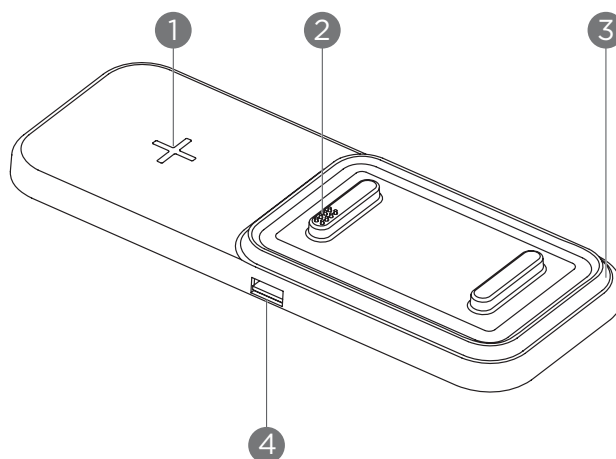


- ① Microphones
- ② Light/proximity sensor
- ③ Touch screen
- ④ Dock connector
- ⑤ Volume buttons
- ⑥ Microphone mute switch
- ⑦ Power adapter connector

- All pictures and illustrations in this document are for your reference only and may differ from the final product.

- To mute the microphone, slide the Microphone mute switch towards the direction of the mute icon.
- To turn off the Bluetooth, use a voice command.

Name	Model
Wireless Charging Dock for Lenovo Smart Clocks	Lenovo SE-A61UW



- ① Wireless charging area
- ② Dock connector
- ③ Night light
- ④ USB connector

- Align the central area of your mobile phone with the “+” position for continuous and stable charging.
- Wireless Charging Dock for Lenovo Smart Clocks maintains compatibility with Qi charging and MagSafe function.
- The USB connector can be used to charge your phone or other devices.

Wireless charger compatibility

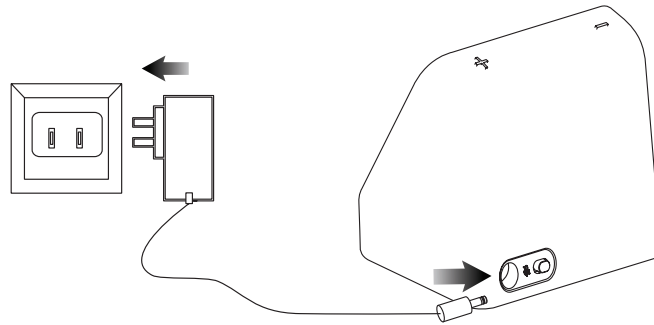
Wireless Charging Dock for Lenovo Smart Clocks maintains compatibility with Qi charging on three modes to charge your phone or other devices.

Mode type	Qi-enabled phones and devices
10W Mode	Samsung Galaxy S21, Samsung Galaxy S20, Samsung Galaxy S10, Samsung Galaxy S9+, Samsung Galaxy S9, Samsung Galaxy S8, Samsung Galaxy S8+, Samsung Note 20, Samsung Note 10, Samsung Note 9, Samsung Note 8, LG V30+, LG V40, Huawei Mate20 Pro, Xiaomi 9, Google Pixel 5, Google Pixel 4XL
7.5W Mode	iPhone 12, iPhone 12 Mini, iPhone 12 Pro Max, iPhone 11, iPhone 11 Pro Max, iPhone XS Max, iPhone XR, iPhone XS, iPhone X, iPhone 8, iPhone 8 Plus
5W Mode	Google Pixel 3XL, Google Pixel Buds 2, AirPods, AirPods Pro

- Work with Rubber/plastic/TPU cases up to 3mm thickness. Cases made of metal, attachments such as pop sockets, metal rings, magnets, cards, grips will interfere with charging.
- All chargers generate some heat when charging, and wireless chargers are no exception. Lenovo chargers with their safety protocols built-in to the circuitry will shut down if they detect excessive heat to protect you and your devices.

Plugging in the Lenovo Smart Clock 2 to turn it on

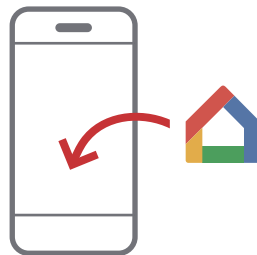
Connect the power adapter to your device.



Downloading the Google Home app

Download and run the Google Home app on Google Play on a phone/tablet. Or if you are an iPhone user, you can download the Google Home app from the App Store.

Follow the on-screen instructions to set up your Lenovo Smart Clock 2.



Connecting the Lenovo Smart Clock 2 to the Internet

You'll need to connect your device to the Internet before using it.

1. Open the Google Home app.
2. Tap **Get started** and register your Google account.
3. Add the new device in Google Home. The Google Home app will scan for nearby devices.
4. Select the device that you want to connect.
5. Follow the on-screen instructions to set up your device.

- Use the same WLAN (only support 2.4G) network for your Lenovo Smart Clock 2 and phone/tablet.

- The system may be updated automatically when using it for the first time. Wait several minutes without operating.

Talking to the Lenovo Smart Clock 2

The Lenovo Smart Clock 2 has the Google Assistant built in. Just say “Hey Google” or “Ok Google” to get started.

You can say “Hey Google, what can you do?” to learn about the available services of your Google Assistant on your Smart Display.

For example:

If you say “Hey Google, what’s the weather this weekend?”, the Lenovo Smart Clock 2 will tell you the weather information.

- Access your settings in the Google Home app at any time to add or modify your home address, work address, set your nickname, and more.





Setting the Nightlight

The nightlight function provides a light source for convenience in dark areas.

Method 1: Voice command

Directly talk to Lenovo Smart Clock 2. Say something like: “Hey Google, turn on the night light.”

Method 2: Manual settings

1. Swipe up on the home screen, then tap .
 2. Tap **Night light** to choose any of the following options:
 - Color:
 - Without Wireless Charging Dock: Night light refers to the background color of the LCD screen, whose color can be changed.
 - With Wireless Charging Dock: Night light refers to the LED indicator, whose color cannot be changed.
 - Brightness: Choose the brightness level from 0 to 10
 - Duration: Choose the time you prefer
 3. Tap **Done**.
 4. Swipe down on the home screen, then tap **on** to turn it on.
 - Tap **Turn off night light** to close the nightlight function.
 - Tap  to set nightlight settings.
- If the Wireless Charging Dock for Lenovo Smart Clocks is connected, you can't set the color of the night light on the dock.

Alarm Clock







Setting an alarm clock

You can set an alarm that plays a sound at a specific time.



Method 1: Voice command

Directly talk to Lenovo Smart Clock 2. Say something like: “Hey Google, set an alarm for 8 a.m.”

Method 2: Manual settings

1. Swipe down on home screen, then tap **Alarms** .
 2. Tap **Set an alarm**, then set the time.
 3. Tap **Set** to choose any of the following options:
 - Repeat: Choose the days of the week.
 - Alarm tone: Choose the tone you prefer.
 - Sunrise alarm: The Smart Clock gently brightens 30 min before you need to get up.
 - Good morning routine: Wake up to the Assistant briefing you about the weather, your schedule, your commute and the news.
 4. Tap **Done**. Tap **Delete** to remove the alarm.
-  You can swipe right on home screen and tap  shown at the top right. Then, tap **Set an alarm** if you want to set another time or tap  for alarm settings.

Snoozing and stopping alarm clock

1. Swipe down on home screen, then tap **Alarms** .
2. Tap  to set the following alarm options:
 - Snooze length: choose the time to give yourself a few more minutes.
 - Hard Tap: snooze or stop your alarm


Adjusting screen brightness

The clock screen supports voice, automatic and manual modes to adjust brightness.


Method 1: Voice command

Directly talk to Lenovo Smart Clock 2. Say something like: “Hey Google, set screen brightness level to eight”

Method 2: Manual settings

Swipe up on home screen, then tap  to set the brightness level you prefer.

Method 3: Automatic settings

1. Swipe up on home screen, then tap .
2. Tap **Display settings** to set the following options:
 - During low light: Choose the mode that the home screen will automatically switch to in the low-light environment.

Show Mono clockface

Show current clockface

Turn off the screen

- Minimum brightness: Choose the mode that the home screen will automatically switch to in the minimum brightness environment.

Brighter

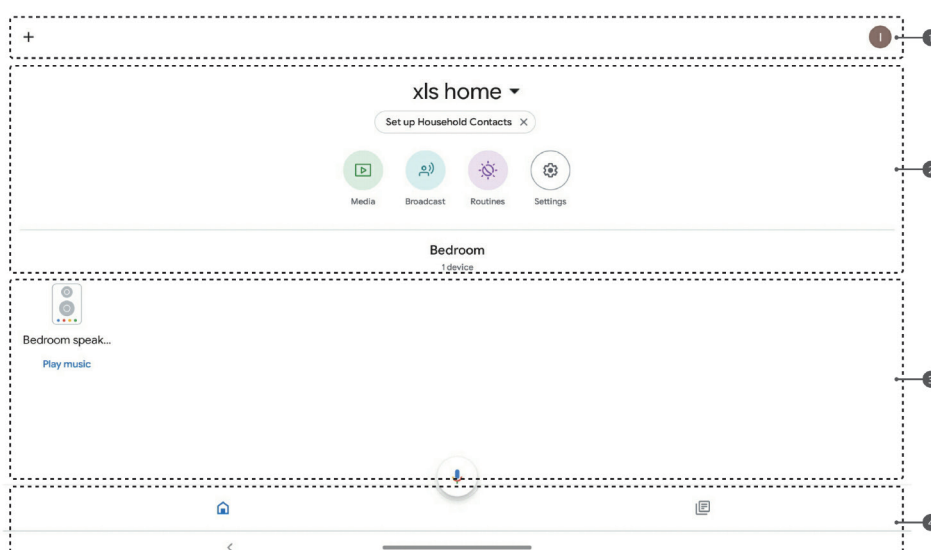
Dim

Darker

3. Tap **Done**.

Using the Google Home app

Use the Google Home app to manage your device. Through the app, you can modify your Google Assistant settings including your personal information, your media service preferences, and your connected smart home devices.



1

Tap  to add features to home, manage services, or view offers.

Tap  to manage your Google Account.

- ② View and change information.
- ③ Display disconnected and available devices nearby.
- ④ Main tabs include the Home tab and the Recent events tab.

Appendix

Important safety and handling information

To avoid personal injury, property damage, or accidental damage to the product, read all of the information in this section before using the product. For additional tips to help you operate your device safely, go to <http://www.lenovo.com/safety>.

Handle your device with care

Do not drop, bend, or puncture your device. Do not insert foreign objects into or place heavy objects on your device. Sensitive components inside might become damaged. When using your device, keep it away from hot or high-voltage environments, such as electrical appliances, electrical heating equipment, and electrical cooking equipment. Use your device only in environments within the temperature range of 0°C (32°F) to 40°C (104°F) (storage -20°C (-4°F) to 60°C (140°F)) to avoid damage.

Don't expose your device to water, rain, extreme humidity, sweat or other liquids.

Do not disassemble or modify your device

Your device is a sealed unit. There are no end-user serviceable parts inside. All internal repairs must be done by a Lenovo-authorized repair facility or a Lenovo-authorized technician. Attempting to open or modify your device will void the warranty.

Plastic bag notice

DANGER:

Plastic bags can be dangerous. Keep plastic bags away from babies and children to avoid danger of suffocation.

Adapter information

Adapter shall be installed near the equipment and shall be easily accessible.

- **Prevent AC adapter from getting wet.**
- **Use approved charging methods only.**

Note: Please only use standard Lenovo power adapters. The use of third-party power adapters will affect the charging speed, resulting in abnormal charging and potential damage to the device.

Connect a standard power adapter to a suitable power outlet.

Charging devices might become warm during normal use. Ensure that you have adequate ventilation around the charging device. Unplug the charging device if any of the following occurs:

- The charging device has been exposed to rain, liquid, or excessive moisture.
- The charging device shows signs of physical damage.
- You want to clean the charging device.

Warning:

Lenovo is not responsible for the performance or safety of products not manufactured or approved by Lenovo. Use only approved Lenovo AC adapters.

Dispose according to local laws and regulations

When your device reaches the end of its useful life, do not crush, incinerate, immerse in water, or dispose of your device in any manner contrary to local laws and regulations. Some internal parts contain substances that can explode, leak, or have an adverse environmental effect if disposed of incorrectly.

See “Recycling and environmental information” for additional information.

Keep your device and accessories away from small children

Your device contains small parts that can be a choking hazard to small children. Additionally, the glass screen can break or crack if dropped on or thrown against a hard surface.

Be aware of heat generated by your device

When your device is turned on, some parts might become hot. The temperature that they reach depends on the amount of system activity. Extended contact with your body, even through clothing, could cause discomfort or even a skin burn. Avoid keeping your hands, your lap, or any other part of your body in contact with a hot section of the device for any extended time.

Electronic emission notices

FCC Compliance Statement

This equipment has been tested and found to comply with the limits for a Class B digital device, pursuant to Part 15 of the FCC Rules. These limits are designed to provide reasonable protection against harmful interference in a residential installation. This equipment generates, uses, and can radiate radio frequency energy and, if not installed and used in accordance with the instructions, may cause harmful interference to radio communications. However, there is no guarantee that interference will not occur in a particular installation. If this equipment does cause harmful interference to radio or television reception, which can be determined by turning the equipment off and on, the

user is encouraged to try to correct the interference by one or more of the following measures:

- Reorient or relocate the receiving antenna.
- Increase the separation between the equipment and receiver.
- Connect the equipment into an outlet on a circuit different from that to which the receiver is connected.
- Consult an authorized dealer or service representative for help.

Lenovo is not responsible for any radio or television interference caused by unauthorized changes or modifications to this equipment. Unauthorized changes or modifications could void the user's authority to operate the equipment.

This device complies with Part 15 of the FCC Rules. Operation is subject to the following two conditions: (1) this device may not cause harmful interference, and (2) this device must accept any interference received, including interference that may cause undesired operation.

Responsible Party:

Lenovo (United States) Incorporated

1009 Think Place - Building One

Morrisville, NC 27560

Telephone: 1-919-294-5900

ISED Caution

This device complies with Innovation, Science and Economic Development Canada license-exempt RSS standard(s). Operation is subject to the following two conditions:

- (1) This device may not cause interference, and
- (2) this device must accept any interference, including interference that may cause undesired operation of the device.

Le présent appareil est conforme aux CNR d'Industrie Canada applicables aux appareils radio exempts de licence. L'exploitation est autorisée aux deux conditions suivantes:

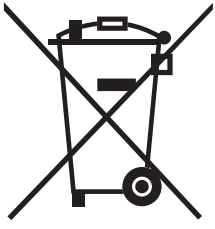
- (1) l'appareil ne doit pas produire de brouillage, et
- (2) l'utilisateur de l'appareil doit accepter tout brouillage radioélectrique subi, même si le brouillage est susceptible d'en compromettre le fonctionnement.

Environmental, recycling, and disposal information

General recycling statement

Lenovo encourages owners of information technology (IT) equipment to responsibly recycle their equipment when it is no longer needed. Lenovo offers a variety of programs and services to assist equipment owners in recycling their IT products. For information on recycling Lenovo products, go to <http://www.lenovo.com/recycling>.

WEEE information



Don't dispose of your product with your household waste. Refer to the User Guide that came with your product for further information, or go to <http://www.lenovo.com/recycling>

Recycling information for Japan

Recycling and disposal information for Japan is available at:

<http://www.lenovo.com/recycling/japan>

Restriction of Hazardous Substances Directive (RoHS)

United States of America

Lenovo products sold in California, on or after January 1, 2007, meet the requirements of "California's RoHS" (SB20, 50).

Lenovo products sold to the New York City government, on or after March 1, 2007, meet the requirements of the City's environmental preferred purchasing regulations.

Turkey

Lenovo products sold in Turkey, on or after June 1, 2009, meet the requirements of the former Republic of Turkey Restriction of Hazardous Substances legislation from 30th of May 2008 and the Control of Waste Electrical and Electronic Equipment Regulations from 22nd of May 2012 ("Turkey RoHS").

Ukraine

Lenovo products sold in Ukraine, on or after January 1, 2011, meet the requirements of the Technical Directive on Restriction of Hazardous Substances in Electric and Electronic Equipment enforced by the Government, Decision No 1057 dated 2008/12/03 ("Ukraine TR on RoHS").

India

Lenovo products sold in India, on or after May 1, 2012, meet the requirements of the India E-waste (Management) Rules ("India RoHS").

Vietnam

Lenovo products sold in Vietnam, on or after September 23, 2011, meet the requirements of the Vietnam Circular 30/2011/TT-BCT ("Vietnam RoHS").

European Union (EU) / United Kingdom (UK) RoHS

This Lenovo product, with included parts (cables, cords, and so on) meets the requirements of EU Directive 2011/65/EU as amended by Directive 2015/863/EU and UK SI 2012 No. 3032 on the restriction of the use of certain hazardous substances in electrical and electronic equipment (“RoHS recast” or “RoHS 2”). For more information about Lenovo progress on RoHS, go to:

https://www.lenovo.com/us/en/social_responsibility/RoHS-Communication.pdf

Singapore

Lenovo products sold in Singapore, on or after June 1, 2017, meet the requirements of Government Gazette order No. S 263/2016 Restriction of Hazardous Substances in Electrical and Electronic Equipment in Singapore (“SG-RoHS”).

Export classification notice

This product is subject to the United States Export Administration Regulations (EAR) and has an Export Classification Control Number (ECCN) of 5A992.c. It can be re-exported except to any of the embargoed countries in the EAR E1 country list.

EU ErP (EcoDesign) Directive (2009/125/EC) - external power adapters (Regulation (EU) 2019/1782) Ecodesign for Energy-Related Products Regulations 2010 - UK SI 2010 No. 2617 (Ext PSU), SI 2020 No. 485 (Ntwk Standby), SI 2014 No. 1290 as amended

Lenovo products are compliance with the EU EcoDesign (ErP) Directive & UK EcoDesign for Energy-related Products Regulations. Refer to the following for details: For EU, refer to the system declaration <https://www.lenovo.com/us/en/compliance/eu-doc>, and for UK refer to the system declaration <https://www.lenovo.com/us/en/compliance/uk-doc>

Product power consumption

Connect the product to the Internet, with the ambient light brightness lower than 1 lux. Turn off the nightlight and keep the product in an idle state. At this time, the power consumption of the product will be less than 2W.

Legal notices

Google, Google Home and Google Play are trademarks of Google LLC.