



Questo manuale d'istruzione è fornito da trovaprezzi.it. Scopri tutte le offerte per [MSI MAG Forge 100M](#) o cerca il tuo prodotto tra le [migliori offerte di Case e Alimentatori](#)



Questo manuale d'istruzione è fornito da trovaprezzi.it. Scopri tutte le offerte per [MSI MAG Forge 100M](#) o cerca il tuo prodotto tra le [migliori offerte di Case e Alimentatori](#)

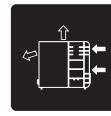
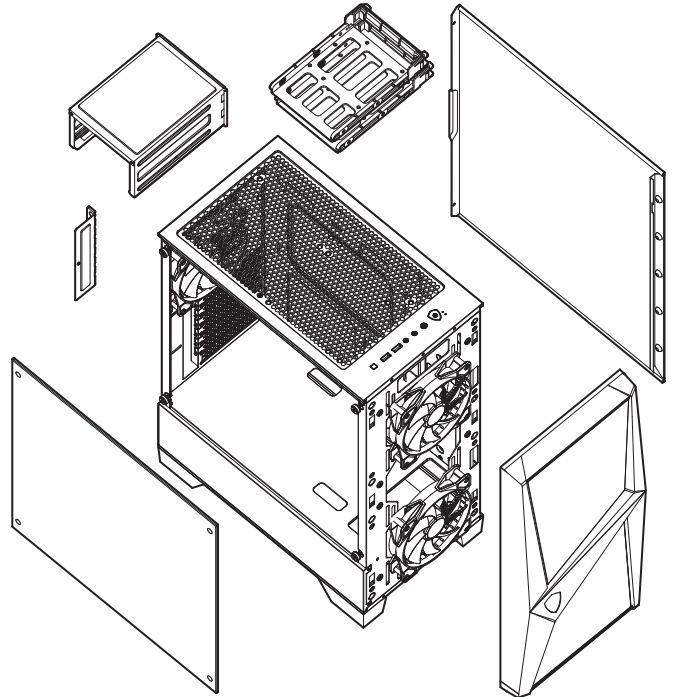


**MAG FORGE 100M**

**MAG FORGE 101M**

**MAG FORGE 100R**

### Case Features / 機殼特色



Optimized Air Flow  
最佳風流設計



RGB Fan Included  
內含RGB風扇



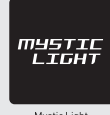
Tool-Less Tempered Glass  
無螺絲與強化玻璃側板



Magnetic Filter  
磁吸防塵網



ARGB Fan Included  
內含ARGB風扇



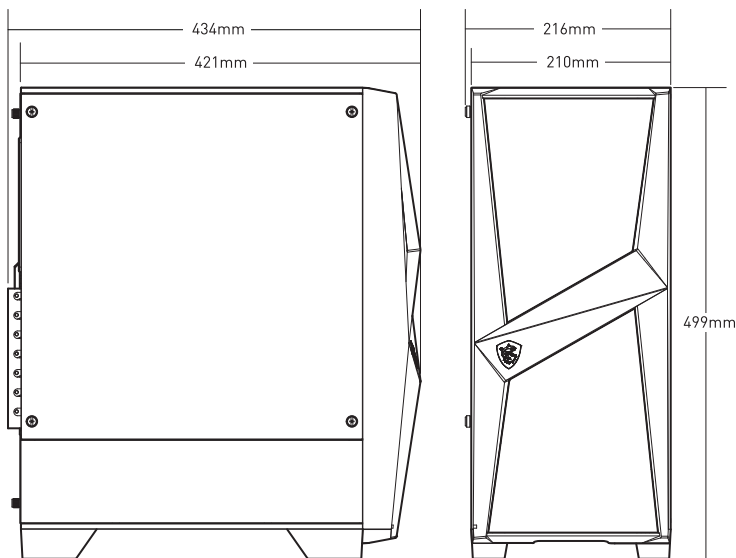
Mystic Light  
支援燈效軟體



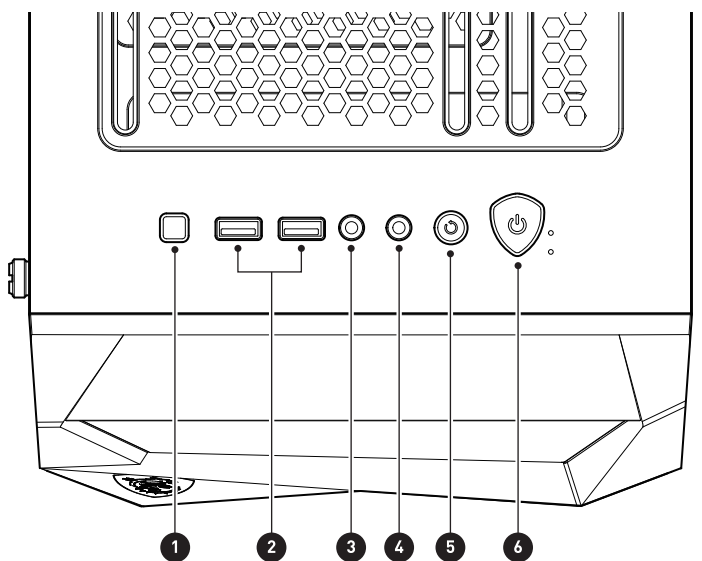
1 to 6 ARGB Control Board  
1對6 ARGB控制板

For MAG FORGE 100R only  
僅MAG FORGE 100R 支援

### Side & Front View/ 側面和前面





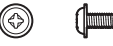




### IO Panel / IO面板

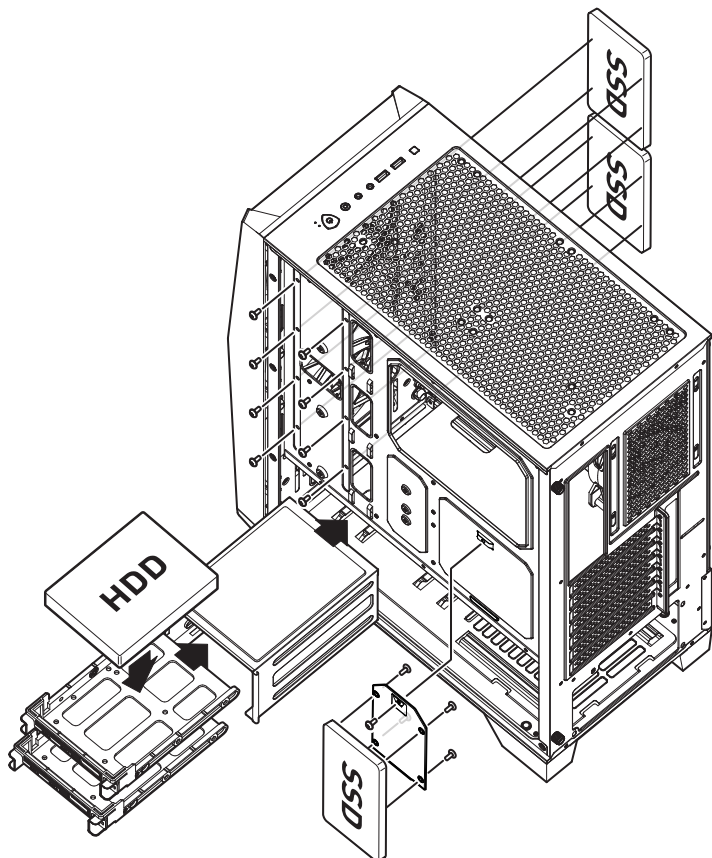


1. LED switch button / LED切換按鈕
2. USB 3.2 Gen1 Type A
3. Mic in / 音訊輸入
4. Audio out / 音訊輸出
5. Reset button / 重新開機按鈕
6. Power button / 電源按鈕

## Accessories / 配件

Item 項目	Name 名稱 / Q'ty 數量	Used for 用途
	Cable ties 束綫帶 x5	Cable management 整線
	PCI slot cover PCI 插槽擋片 x2	PCI slot protection 保護PCI插槽
	Screw #6-32 10mm 手轉螺絲 x2	Securing drive tray 固定硬碟托架
	Screw #6-32 6.5mm x4	Motherboard Stud 主機板螺柱
	Screw M3 5mm x20	Motherboard / SSD 主機板 / SSD
	Screw #6-32 6mm 六角螺絲 x6	PSU / PCIe Card 電源供應器 / PCIe卡
	Screw #6-32 5mm 圓頭螺絲 x4	3.5" HDD 3.5" 硬碟

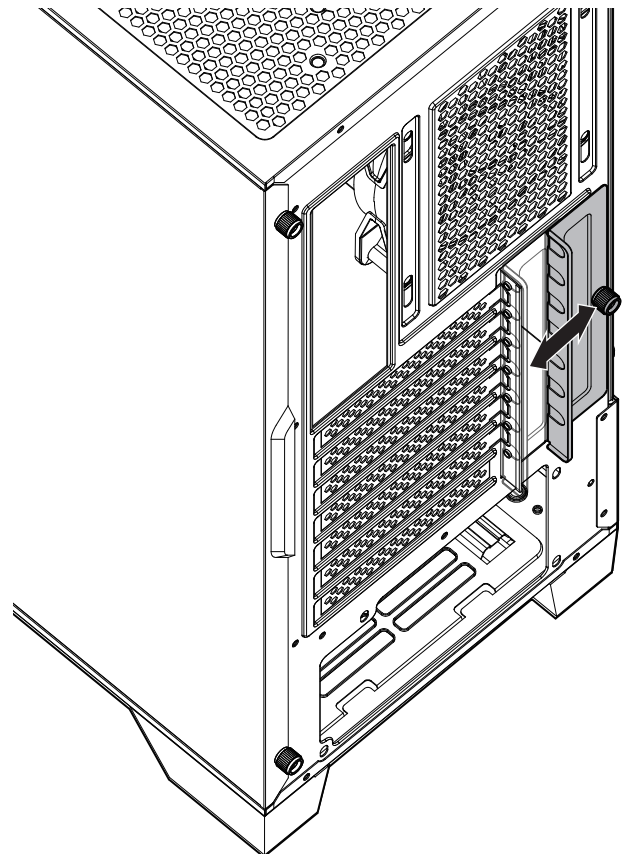
## SSD & HDD Installation/ SSD和硬碟安裝方式



## Specification / 產品規格

	MAG FORGE 100M	MAG FORGE 101M	MAG FORGE 100R
Fan LED Controller	1 to 6 RGB Control Board	1 to 6 RGB Control Board	1 to 6 ARGB Control Board
Pre-installed	Front: 2x 120 mm RGB fans Rear: 1x 120 mm black fan	Front: 3x 120 mm RGB fans Rear: 1x 120 mm RGB fan	Front: 2x 120 mm ARGB fans Rear: 1x 120 mm black fan
Case Dimensions (mm)	434(D) x 216(W) x 499(H)		
Motherboard Support	ATX / Micro-ATX / Mini-ITX		
Drive Bays	2x 3.5" Included (Max 2, compatible with 2.5") 3x 2.5" Included (Max 3)		
IO Panel	1x LED switch button 2x USB 3.2 Gen1 Type A ports 1x Mic in jack 1x Audio out jack 1x Reset button 1x Power button		
Clearance	CPU Cooler High: max 166 mm Graphics Card Length: max 330 mm PSU Length: Standard ATX 160 mm, max to 200 mm (without 3.5" HDD case installed)		
Fan Support	Front: Up to 3x 120 mm or 2x 140 mm Top: Up to 2x 120 mm or 2x 140 mm Rear: Up to 1x 120 mm		
Radiator Support	Front: Up to 240 mm Top: Up to 240 mm Rear: Up to 120mm		
Material	Left Side: Tempered Glass Right Side: Metal Front: Mesh Top: Metal		

## PCIe Card Installation/ PCIe卡安裝方式



Specifications are subject to change without notice.  
規格若有變更，恕不另行通知。