



Questo manuale d'istruzione è fornito da trovaprezzi.it. Scopri tutte le offerte per [PreSonus Eris E4.5](#) o cerca il tuo prodotto tra le [migliori offerte di Diffusori Audio](#)



Questo manuale d'istruzione è fornito da trovaprezzi.it. Scopri tutte le offerte per [PreSonus Eris E4.5](#) o cerca il tuo prodotto tra le [migliori offerte di Diffusori Audio](#)

Eris[®]-series E3.5/E3.5 BT/E4.5/ E4.5 BT High-Definition Media Reference Monitors Owner's Manual

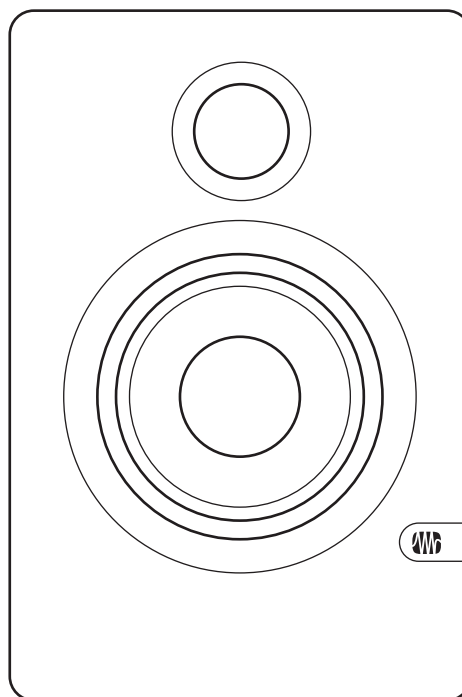
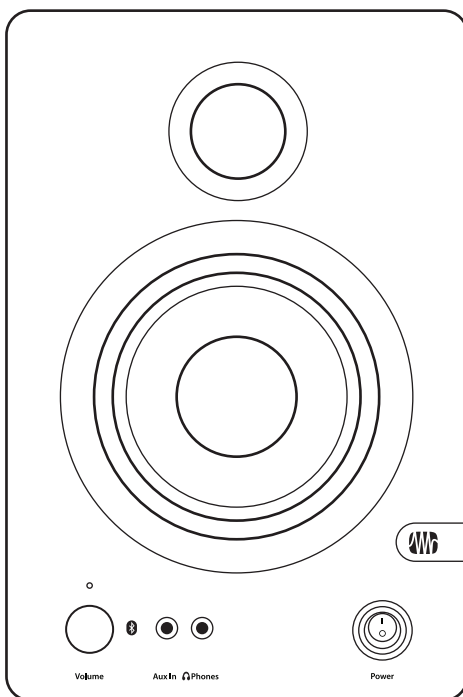
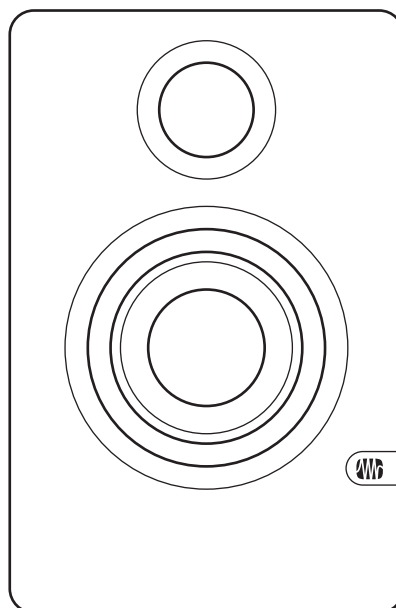
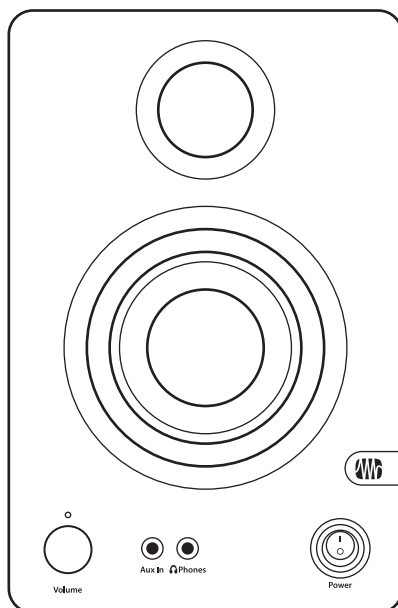


Table of Contents

1 Overview — 1

- 1.1 Introduction — 1
- 1.2 Product Registration — 1
- 1.3 What's in the Box — 2

2 Connections and Controls — 3

- 2.1 Rear Panel — 3
 - 2.1.1 Inputs — 3
 - 2.1.2 Power — 3
 - 2.1.3 Acoustic Tuning Controls — 3
 - 2.1.4 Speaker Connections — 4
- 2.2 Active Speaker Front Panel — 4

3 Hookup Diagrams — 5

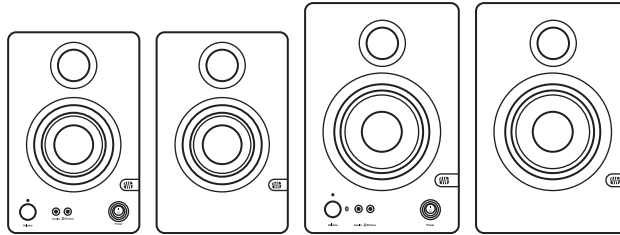
- 3.1 Basic Setup — 5
- 3.2 Audio Connections — 5
- 3.3 Bluetooth Pairing
(Eris E3.5 BT and Eris E4.5 BT only) — 6

4 Resources — 7

- 4.1 Technical Specifications — 7
- 4.2 Troubleshooting — 8

1 Overview

1.1 Introduction



Thank you for purchasing a pair of PreSonus® Eris® high-definition media reference monitors. Ideal for gaming, home content creation, or just listening to your favorite album, Eris media reference monitors deliver studio-quality sound, with a smooth and accurate frequency response.

PreSonus Audio Electronics is committed to constant product improvement, and we highly value your suggestions. We believe the best way to achieve our goal of constant product improvement is by listening to the real experts: our valued customers. We appreciate the support you have shown us through the purchase of this product and are confident that you will enjoy your Eris!

About this manual: We suggest that you use this manual to familiarize yourself with the features, applications, and correct connection procedures for your Eris media reference monitors before trying to connect it to your other audio equipment. This will help you avoid problems during installation and setup.

This manual describes the functionality for all four Eris media reference models. Please note that Bluetooth connectivity is only available on the Eris E3.5BT and Eris E4.5BT.




Throughout this manual, you will find **Power User Tips** that can quickly make you an Eris expert and help you get the most out of your investment.

1.2 Product Registration

PreSonus is committed to delivering the best experience for our customers. My PreSonus is a one-stop portal for all our registered customers' needs. From your my PreSonus account, you can view all your PreSonus hardware and software registrations; contact support; track orders and more.

To register your Eris media reference monitors

Don't have a My.PreSonus account yet?
Here's why you should sign up.

-  One account gets you everything you need, from support to forums to product info and upgrades. Get the inside track on training videos, tutorials, special offers, and advance notifications.
-  Register a product on My.PreSonus and you're eligible for technical support, timely updates, expedited warranty service and quick tracking should you ever need repair. You also get special promotions that are 'members only'!
-  Join the ever-growing community of PreSonus users and share ideas, projects, and yes, gripes on our forum and blogs. It's a lively, Cajun-tinged vibe and it's waiting for you.

[Create My.PreSonus Account](#)

Go to **My.PreSonus.com** and follow the onscreen instructions.

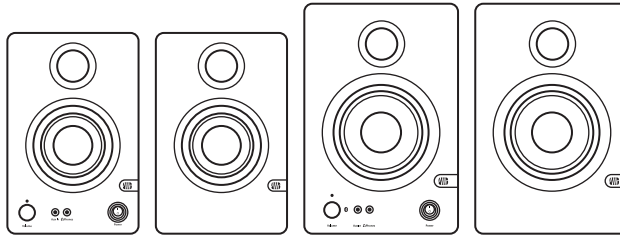
OR

Download the **MyPreSonus app** from the Apple App Store or Google Play.



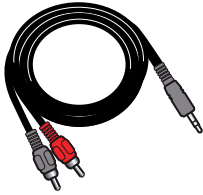
1.3 What's in the Box

Your Eris media reference monitors' package contains the following:

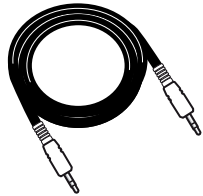


(1 pair) PreSonus Eris Media Reference Monitors (1 active, 1 passive)

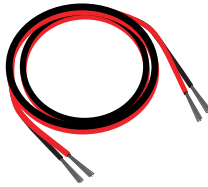
(1) 1.5M 1/8" TRS to 2x RCA cable



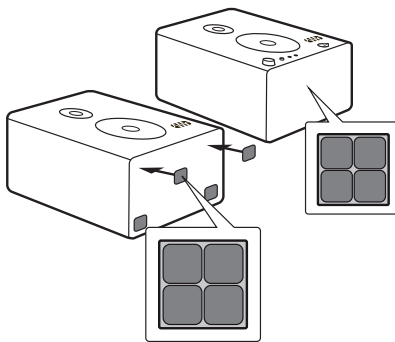
(1) 1.5M 1/8" TRS stereo cable



(1) 2M bare-wire speaker cable



(8) Foam feet: 4 to be placed on the bottom of each speaker to improve isolation



(1) Quick Start Guide



(1) IEC Power Cable

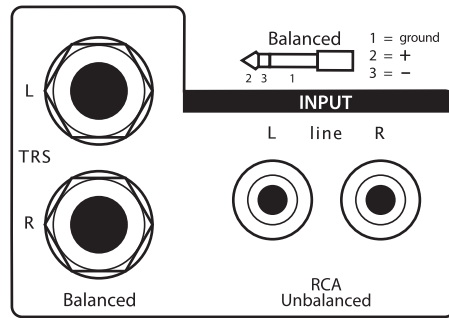


2 Connections and Controls

Each Eris media reference monitor pair consists of one active speaker and one passive speaker. Nearly every connection is located exclusively on the active speaker. This speaker provides signal and power for the passive speaker. The exceptions are the bare-wire connectors, which send power and signal from the active speaker to the passive speaker.

2.1 Rear Panel

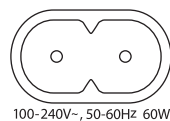
2.1.1 Inputs



Line-level Inputs. The Eris active speaker provides a choice of two pairs of inputs on the rear-panel: left and right balanced ¼" TRS and left and right unbalanced RCA. These inputs accept a line-level signal from an audio source and feed that signal to each monitor's power amplifier. These inputs are provided to enable flexible connectivity, not for connecting multiple sources to your speakers simultaneously. A third 1/8" stereo input is available on the front panel, *please see Section 2.2 for more information.*

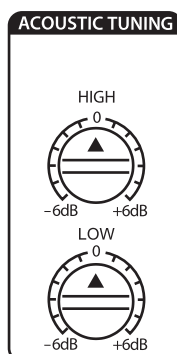
Power User Tip: The left inputs (balanced or unbalanced) send signal to the amplifier that powers the active speaker; and the right inputs send signal to the amplifier that powers the passive speaker. PreSonus recommends that the active speaker be placed on the left side of your mixing space and the passive speaker be placed on the right. However, if you prefer to have the controls located on your active monitor placed on the right side of your workspace, be sure to reverse the inputs from your audio source to maintain the correct stereo image.

2.1.2 Power



IEC Power Connection. The Eris active speaker accepts a standard IEC C7 power cord. The power switch is located on the front panel of the active speaker.

2.1.3 Acoustic Tuning Controls



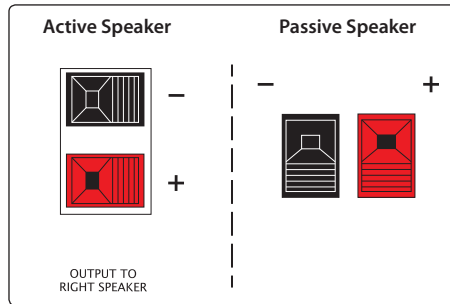
High. Boosts or cuts all frequencies above 10 kHz by ±6 dB.

Power User Tip: The High control is a high-shelf EQ and attenuates or boosts frequencies above 10 kHz. This EQ is much like the treble control on a home or car stereo: It raises or lowers the gain on all frequencies above the specified cutoff frequency. Shelving EQs can make big changes to the sound very quickly by adding or removing an entire range of frequencies.

Low. Boosts or cuts frequencies around 100 Hz by ±6 dB.

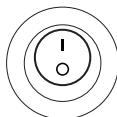
Power User Tip: The Low control is a low-shelf EQ and attenuates or boosts frequencies below 100 Hz. This function is the equivalent to the Bass control on a home or car stereo: It raises or lowers the gain on all frequencies below the specified cutoff frequency. Shelving EQs can make big changes to sound very quickly by adding or removing an entire range of frequencies.

2.1.4 Speaker Connections



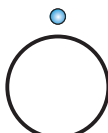
Bare-wire connectors. This connection is used to send power and send signal to the passive Eris speaker. Be sure to connect the positive and negative connections on your active Eris speaker to the positive and negative connections, respectively, on the passive Eris speaker (i.e. connect positive to positive and negative to negative).

2.2 Active Speaker Front Panel



Power

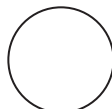
Power Switch. This is the On/Off switch.



Volume

Power / Bluetooth Status LED. The LED above the volume control indicates power status for all Eris speaker models. For Eris E3.5 BT and E4.5 BT reference monitors, this LED also displays the Bluetooth status as follows:

- **Solid Blue.** Eris speaker is powered on.
- **Flashing Blue (Eris E3.5 BT and E4.5 BT only).** Eris speaker is in pairing mode.
- **Solid White (Eris E3.5 BT and E4.5 BT only).** Eris speaker is paired to a Bluetooth device.



Volume

Volume. Sets the volume level of the input signal before it is amplified. This is also the volume control for the front-panel headphone amp.



Aux In

Aux In. This stereo 1/8" jack can be used to patch in a media player for a quick reference check.

Power User Tip: This input will sum with the inputs on the back panel.



Phones

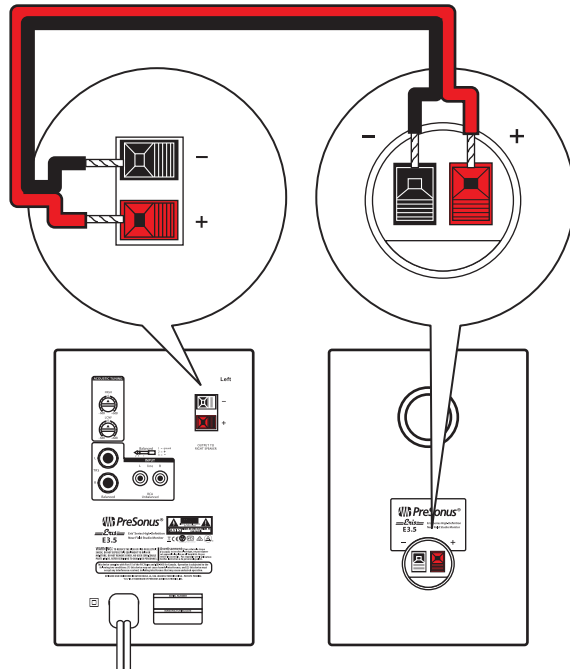
Headphone Out. This headphone output is controlled by the Level knob.



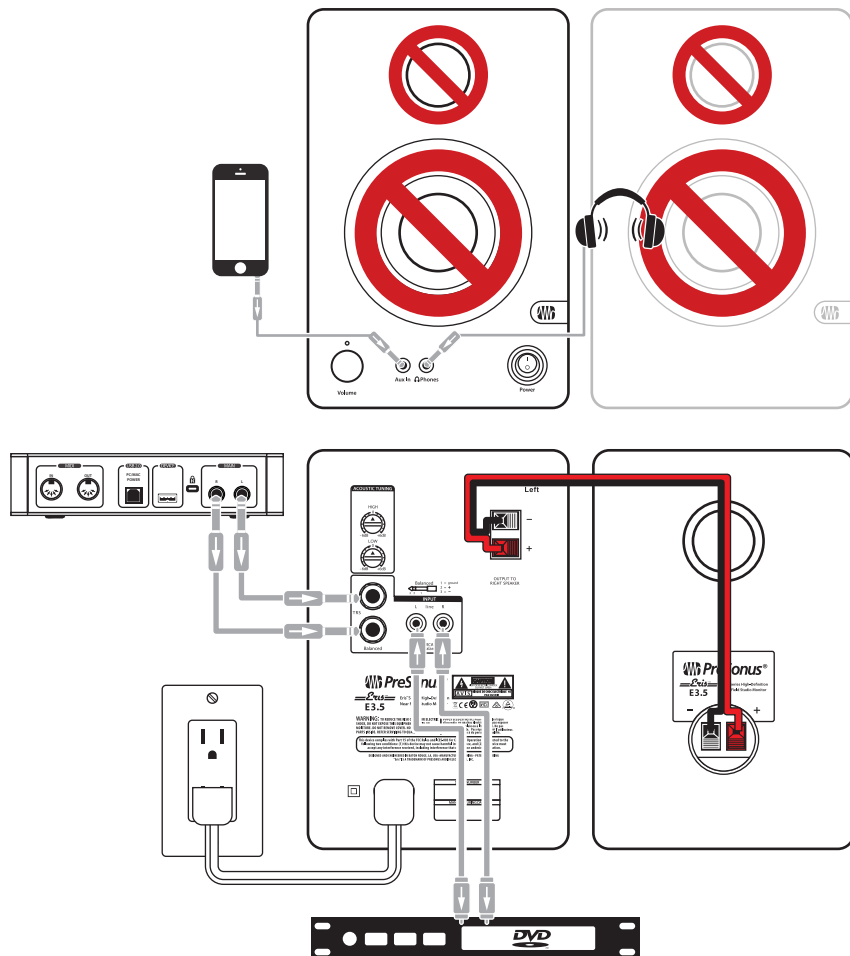
Power User Tip: When the headphone output is connected, audio will be muted to your Eris speakers. So, you can listen as loud as you like without disturbing the neighbors.

3 Hookup Diagrams

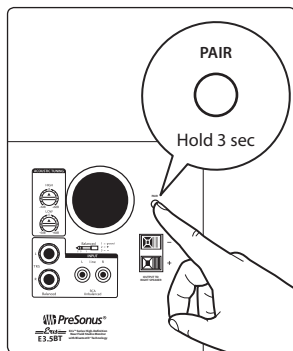
3.1 Basic Setup



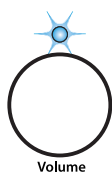
3.2 Audio Connections



3.3 Bluetooth Pairing (Eris E3.5 BT and Eris E4.5 BT only)



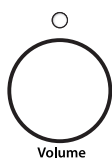
Your Eris E3.5 BT or E4.5 BT can be paired with any Bluetooth device for audio playback. To pair your pair your speakers, first press and hold the pair button on the rear of the active Eris speaker for three seconds.



The Power/Bluetooth LED on the front of the active speaker will flash, indicating pairing is active.



On your Bluetooth device, select "Eris E3.5 BT" or "Eris E4.5 BT".



Once your Eris speakers are paired, the Power/Bluetooth LED will illuminate white.

Power User Tip: You can pair an additional device by repeating these steps. Your Eris speakers can store two Bluetooth device pairings, although audio can only be streamed from one Bluetooth device at a time. Whenever you power on your Eris speakers, your stored Bluetooth devices will automatically pair if within range.

4 Resources

4.1 Technical Specifications

	Eris E3.5 / E3.5 BT	Eris E4.5 / E4.5 BT
Inputs	1- Stereo 1/8" TRS 2- Balanced 1/4" TRS 2- Unbalanced RCA Stereo Bluetooth 5.0 (Eris E3.5 BT and E4.5 BT only)	

Performance

Frequency Response	80 Hz to 20 kHz	70 Hz to 20 kHz
Crossover Frequency	2.8 kHz	
Amplifier Power	50W (25W / speaker)	
Peak SPL (@ 1 meter)	100 dB	
LF Driver	3.5"	4.5"
HF Driver	1" Silk Dome	
Input Impedance	10 kΩ	

User Controls

Volume Range	A-Type Taper	
MF Control	Variable (-6 to +6 dB, center 100 Hz)	
HF Control	Variable (-6 to +6 dB, center 10 kHz)	
Protection	RF interference Output-current limiting Over-temperature Turn-on/off transient Subsonic filter External mains fuse	
Power	100-120V ~50/60 Hz or 220-240V ~50/60 Hz	
Cabinet	Vinyl-laminated, medium-density fiberboard	

Physical

Width	5.6" (141 mm)	6.4" (163 mm)
Depth	6.4" (162 mm)	7" (180 mm)
Height	8.3" (210 mm)	9.5" (241 mm)
Weight (per pair)	6.4 lb (2.9 kg)	13 lb. (5.9 kg)

4.2 Troubleshooting

No power. First ensure that your active Eris speaker is plugged in. If it's connected to a power conditioner, verify that the power conditioner is turned on and functioning.

No audio. If your active Eris speaker appears to power on but you hear no sound when playing audio from your audio source (the lights are on but nobody's home), first make sure that the cable connecting your audio source to the active speaker is working correctly. Also, verify that the volume control is set to provide enough amplitude for the signal. If only the passive Eris speaker is not passing audio, check your speaker-wire connections and verify that the bare wire is fully inserted into each connection.

Hum. Usually, hum is caused by a ground loop. Verify that all audio equipment is connected to the same power source.

Sound is thin. If the sound of the speakers seems thin and brittle, check that your speaker wires are connected correctly (i.e., the positive/red connection on the active Eris speaker is connected to the positive/red connection on the passive Eris speaker and the negative/black connection on each is connected to the negative/black connection on the other).

Added bonus: PreSonus' previously Top Secret recipe for . . .

Chicken and Andouille Gumbo

Ingredients:

- 1 C All-Purpose flour
- $\frac{3}{4}$ C Vegetable Oil
- 1 large onion (diced)
- 1 small onion (quartered)
- 6 celery stalks (diced)
- 1 large green bell pepper (diced)
- 3 cloves garlic (2 minced, 1 whole)
- 1 lb link Andouille sausage
- 4 Chicken leg quarters
- 4 qt water
- 4 bay leaves
- 1 tsp thyme
- 1 tsp Old Bay seasoning
- 1-2 C frozen okra, sliced
- $\frac{1}{4}$ C fresh parsley, minced
- 6-8 eggs (optional)

Cooking Instructions:

1. In a large pot, combine whole chicken leg quarters, water, quartered onion, Old Bay, 2 bay leaves and 1 whole clove garlic. Cover and bring to a low boil. Simmer stock until chicken is falling off the bone. Remove the chicken and set aside. Discard the onion, bay leaves, and garlic, reserving the liquid.
2. In a heavy saucepan, heat 1 Tbsp of the oil on medium high heat and brown the andouille until it is cooked through. Set aside sausage for later.
3. In the same saucepan, add and heat remaining oil. Slowly add flour 1-2 Tbsp at a time, stirring continuously. Continue cooking and stirring the roux until it is a dark brown (it should look like melted dark chocolate). Be careful to not to get the oil too hot or the flour will burn and you'll have to start over.
4. Once roux has reached the correct color, add diced onion, celery, green pepper, and minced garlic. Cook until vegetables are very tender. Do not cover.
5. Slowly add 1 quart of chicken broth and bring to a low boil, stirring constantly.
6. Transfer roux mixture to a soup pot and bring to low boil. Do not cover, the roux will settle on the bottom of the pot and burn.
7. Add remaining chicken broth, bay leaves, and thyme. Simmer for 30 minutes.
8. While gumbo is simmering, debone and shred chicken and slice the andouille.
9. Add chicken and andouille to gumbo and return to a simmer. Simmer for 30-45 minutes.
10. Stir in frozen okra and parsley and bring to a rolling boil.
11. **Optional:** Crack one egg into a teacup and quickly pour into the boiling gumbo. Repeat with the other eggs being careful not to cluster them too closely. After all the eggs have risen back to the surface, reduce heat and simmer.
12. Correct seasoning with salt and pepper (red, white and/or black) if necessary.
13. Serve over rice with potato salad.

Serves 12

Eris[®]-series E3.5/E3.5 BT/E4.5/ E4.5 BT High-Definition Media Reference Monitors Owner's Manual

