



Questo manuale d'istruzione è fornito da trovaprezzi.it. Scopri tutte le offerte per [Samson Auro D210](#) o cerca il tuo prodotto tra le [migliori offerte di Diffusori Audio](#)



Questo manuale d'istruzione è fornito da trovaprezzi.it. Scopri tutte le offerte per [Samson Auro D210](#) o cerca il tuo prodotto tra le [migliori offerte di Diffusori Audio](#)

SAMSON[®]

auro Powered Loudspeakers

D208

D210



200 Watt 2-Way Powered Loudspeakers

OWNERS MANUAL

Safety Instructions/Consignes de sécurité/Sicherheitsvorkehrungen



WARNING: To reduce the risk of fire or electric shock, do not expose this unit to rain or moisture. To reduce the hazard of electrical shock, do not remove cover or back. No user serviceable parts inside. Please refer all servicing to qualified personnel. The lightning flash with an arrowhead symbol within an equilateral triangle, is intended to alert the user to the presence of uninsulated "dangerous voltage" within the products enclosure that may be of sufficient magnitude to constitute a risk of electric shock to persons. The exclamation point within an equilateral triangle is intended to alert the user to the presence of important operating and maintenance (servicing) instructions in the literature accompanying the product.

Important Safety Instructions

1. Please read all instructions before operating the unit.
2. Keep these instructions for future reference.
3. Please heed all safety warnings.
4. Follow manufacturers instructions.
5. Do not use this unit near water or moisture.
6. Clean only with a damp cloth.
7. Do not block any of the ventilation openings. Install in accordance with the manufacturers instructions.
8. Do not install near any heat sources such as radiators, heat registers, stoves, or other apparatus (including amplifiers) that produce heat.
9. Do not defeat the safety purpose of the polarized or grounding-type plug. A polarized plug has two blades with one wider than the other. A grounding type plug has two blades and a third grounding prong. The wide blade or third prong is provided for your safety. When the provided plug does not fit your outlet, consult an electrician for replacement of the obsolete outlet.
10. Protect the power cord from being walked on and pinched particularly at plugs, convenience receptacles and at the point at which they exit from the unit.
11. Unplug this unit during lightning storms or when unused for long periods of time.
12. Refer all servicing to qualified personnel. Servicing is required when the unit has been damaged in any way, such as power supply cord or plug damage, or if liquid has been spilled or objects have fallen into the unit, the unit has been exposed to rain or moisture, does not operate normally, or has been dropped.

ATTENTION: Pour éviter tout risque d'électrocution ou d'incendie, ne pas exposer cet appareil à la pluie ou à l'humidité. Pour éviter tout risque d'électrocution, ne pas ôter le couvercle ou le dos du boîtier. Cet appareil ne contient aucune pièce remplaçable par l'utilisateur. Confiez toutes les réparations à un personnel qualifié. Le signe avec un éclair dans un triangle prévient l'utilisateur de la présence d'une tension dangereuse et non isolée dans l'appareil. Cette tension constitue un risque d'électrocution. Le signe avec un point d'exclamation dans un triangle prévient l'utilisateur d'instructions importantes relatives à l'utilisation et à la maintenance du produit.

Consignes de sécurité importantes

1. Veuillez lire toutes les instructions avant d'utiliser l'appareil.
2. Conserver ces instructions pour toute lecture ultérieure.
3. Lisez avec attention toutes les consignes de sécurité.
4. Suivez les instructions du fabricant.
5. Ne pas utiliser cet appareil près d'une source liquide ou dans un lieu humide.
6. Nettoyez l'appareil uniquement avec un tissu humide.
7. Veillez à ne pas obstruer les fentes prévues pour la ventilation de l'appareil. Installez l'appareil selon les instructions du fabricant.
8. Ne pas installer près d'une source de chaleur (radiateurs, etc.) ou de tout équipement susceptible de générer de la chaleur (amplificateurs de puissance par exemple).
9. Ne pas retirer la terre du cordon secteur ou de la prise murale. Les fiches canadiennes avec polarisation (avec une lame plus large) ne doivent pas être modifiées. Si votre prise murale ne correspond pas au modèle fourni, consultez votre électricien.
10. Protégez le cordon secteur contre tous les dommages possibles (pincement, tension, torsion,, etc.). Veillez à ce que le cordon secteur soit libre, en particulier à sa sortie du boîtier.
11. Déconnectez l'appareil du secteur en présence d'orage ou lors de périodes d'inutilisation prolongées.
12. Consultez un service de réparation qualifié pour tout dysfonctionnement (dommage sur le cordon secteur, baisse de performances, exposition à la pluie, projection liquide dans l'appareil, introduction d'un objet dans le boîtier, etc.).

ACHTUNG: Um die Gefahr eines Brandes oder Stromschlags zu verringern, sollten Sie dieses Gerät weder Regen noch Feuchtigkeit aussetzen. Um die Gefahr eines Stromschlags zu verringern, sollten Sie weder Deckel noch Rückwand des Geräts entfernen. Im Innern befinden sich keine Teile, die vom Anwender gewartet werden können. Überlassen Sie die Wartung qualifiziertem Fachpersonal. Der Blitz mit Pfeilspitze im gleichseitigen Dreieck soll den Anwender vor nichtisolierter "gefährlicher Spannung" im Geräteinnern warnen. Diese Spannung kann so hoch sein, dass die Gefahr eines Stromschlags besteht. Das Ausrufezeichen im gleichseitigen Dreieck soll den Anwender auf wichtige Bedienungs- und Wartungsanleitungen aufmerksam machen, die im mitgelieferten Informationsmaterial näher beschrieben werden.

Wichtige Sicherheitsvorkehrungen

1. Lesen Sie alle Anleitungen, bevor Sie das Gerät in Betrieb nehmen.
2. Bewahren Sie diese Anleitungen für den späteren Gebrauch gut auf.
3. Bitte treffen Sie alle beschriebenen Sicherheitsvorkehrungen.
4. Befolgen Sie die Anleitungen des Herstellers.
5. Benutzen Sie das Gerät nicht in der Nähe von Wasser oder Feuchtigkeit.
6. Verwenden Sie zur Reinigung des Geräts nur ein feuchtes Tuch.
7. Blockieren Sie keine Belüftungsöffnungen. Nehmen Sie den Einbau des Geräts nur entsprechend den Anweisungen des Herstellers vor.
8. Bauen Sie das Gerät nicht in der Nähe von Wärmequellen wie Heizkörpern, Wärmeclappen, Öfen oder anderen Geräten (inklusive Verstärkern) ein, die Hitze erzeugen.
9. Setzen Sie die Sicherheitsfunktion des polarisierten oder geerdeten Steckers nicht außer Kraft. Ein polarisierter Stecker hat zwei flache, unterschiedlich breite Pole. Ein geerdeter Stecker hat zwei flache Pole und einen dritten Erdungsstift. Der breitere Pol oder der dritte Stift dient Ihrer Sicherheit. Wenn der vorhandene Stecker nicht in Ihre Steckdose passt, lassen Sie die veraltete Steckdose von einem Elektriker ersetzen.
10. Schützen Sie das Netzkabel dahingehend, dass niemand darüber laufen und es nicht geknickt werden kann. Achten Sie hierbei besonders auf Netzstecker, Mehrfachsteckdosen und den Kabelanschluss am Gerät.
11. Ziehen Sie den Netzstecker des Geräts bei Gewittern oder längeren Betriebspausen aus der Steckdose.
12. Überlassen Sie die Wartung qualifiziertem Fachpersonal. Eine Wartung ist notwendig, wenn das Gerät auf irgendeine Weise, beispielsweise am Kabel oder Netzstecker beschädigt wurde, oder wenn Flüssigkeiten oder Objekte in das Gerät gelangt sind, es Regen oder Feuchtigkeit ausgesetzt war, nicht mehr wie gewohnt betrieben werden kann oder fallen gelassen wurde.

PRECAUCION: Para reducir el riesgo de incendios o descargas, no permita que este aparato quede expuesto a la lluvia o la humedad. Para reducir el riesgo de descarga eléctrica, nunca quite la tapa ni el chasis. Dentro del aparato no hay piezas susceptibles de ser reparadas por el usuario. Dirija cualquier reparación al servicio técnico oficial. El símbolo del relámpago dentro del triángulo equilátero pretende advertir al usuario de la presencia de "voltajes peligrosos" no aislados dentro de la carcasa del producto, que pueden ser de la magnitud suficiente como para constituir un riesgo de descarga eléctrica a las personas. El símbolo de exclamación dentro del triángulo equilátero quiere advertirle de la existencia de importantes instrucciones de manejo y mantenimiento (reparaciones) en los documentos que se adjuntan con este aparato.

Instrucciones importantes de seguridad

1. Lea todo este manual de instrucciones antes de comenzar a usar la unidad.
2. Conserve estas instrucciones para cualquier consulta en el futuro.
3. Cumpla con todo lo indicado en las precauciones de seguridad.
4. Observe y siga todas las instrucciones del fabricante.
5. Nunca utilice este aparato cerca del agua o en lugares húmedos.
6. Limpie este aparato solo con un trapo suave y ligeramente humedecido.
7. No bloquee ninguna de las aberturas de ventilación. Instale este aparato de acuerdo a las instrucciones del fabricante.
8. No instale este aparato cerca de fuentes de calor como radiadores, calentadores, hornos u otros aparatos (incluyendo amplificadores) que produzcan calor.
9. No anule el sistema de seguridad del enchufe de tipo polarizado o con toma de tierra. Un enchufe polarizado tiene dos bornes, uno más ancho que el otro. Uno con toma de tierra tiene dos bornes normales y un tercero para la conexión a tierra. El borne ancho o el tercero se incluyen como medida de seguridad. Cuando el enchufe no encaje en su salida de corriente, llame a un electricista para que le cambie su salida anticuada.
10. Evite que el cable de corriente quede en una posición en la que pueda ser pisado o aplastado, especialmente en los enchufes, receptáculos y en el punto en el que salen de la unidad.
11. Desconecte de la corriente este aparato durante las tormentas eléctricas o cuando no lo vaya a usar durante un periodo de tiempo largo.
12. Dirija cualquier posible reparación solo al servicio técnico oficial. Deberá hacer que su aparato sea reparado cuando esté dañado de alguna forma, como si el cable de corriente o el enchufe están dañados, o si se han derramado líquidos o se ha introducido algún objeto dentro de la unidad, si esta ha quedado expuesta a la lluvia o la humedad, si no funciona normalmente o si ha caído al suelo.

ATTENZIONE: per ridurre il rischio di incendio o di scariche elettriche, non esponete questo apparecchio a pioggia o umidità. Per ridurre il pericolo di scariche elettriche evitate di rimuoverne il coperchio o il pannello posteriore. Non esistono all'interno dell'apparecchio parti la cui regolazione è a cura dell'utente. Per eventuale assistenza, fate riferimento esclusivamente a personale qualificato. Il fulmine con la punta a freccia all'interno di un triangolo equilatero avvisa l'utente della presenza di "tensioni pericolose" non isolate all'interno dell'apparecchio, tali da costituire un possibile rischio di scariche elettriche dannose per le persone. Il punto esclamativo all'interno di un triangolo equilatero avvisa l'utente della presenza di importanti istruzioni di manutenzione (assistenza) nella documentazione che accompagna il prodotto.

Importanti Istruzioni di Sicurezza

1. Prima di usare l'apparecchio, vi preghiamo di leggerne per intero le istruzioni.
2. Conservate tali istruzioni per una eventuale consultazione futura.
3. Vi preghiamo di rispettare tutte le istruzioni di sicurezza.
4. Seguite tutte le istruzioni del costruttore.
5. Non usate questo apparecchio vicino ad acqua o umidità.
6. Pulite l'apparecchio esclusivamente con un panno asciutto.
7. Evitate di ostruire una qualsiasi delle aperture di ventilazione. Posizionatelo seguendo le istruzioni del costruttore.
8. Non posizionatelo vicino a sorgenti di calore come radiatori, scambiatori di calore, forni o altri apparecchi (amplificatori compresi) in grado di generare calore.
9. Non disattivate la protezione di sicurezza costituita dalla spina polarizzata o dotata di collegamento a terra. Una spina polarizzata è dotata di due spinotti, uno più piccolo ed uno più grande. Una spina dotata di collegamento a terra è dotata di due spinotti più un terzo spinotto di collegamento a terra. Questo terzo spinotto, eventualmente anche più grande, viene fornito per la vostra sicurezza. Se la spina fornita in dotazione non si adatta alla vostra presa, consultate un elettricista per la sostituzione della presa obsoleta.
10. Proteggete il cavo di alimentazione in modo che non sia possibile camminarci sopra né piegarlo, con particolare attenzione alle prese, ai punti di collegamento e al punto in cui esce dall'apparecchio.
11. Staccate l'apparecchio dalla alimentazione in caso di temporali o tempeste o se non lo usate per un lungo periodo.
12. Per l'assistenza, fate riferimento esclusivamente a personale qualificato. È necessaria l'assistenza se l'apparecchio ha subito un qualsiasi tipo di danno, come danni al cavo o alla spina di alimentazione, nel caso in cui sia stato versato del liquido o siano caduti oggetti al suo interno, sia stato esposto a pioggia o umidità, non funzioni correttamente o sia stato fatto cadere.



If you want to dispose this product, do not mix it with general household waste. There is a separate collection system for used electronic products in accordance with legislation that requires proper treatment, recovery and recycling.



Private household in the 25 member states of the EU, in Switzerland and Norway may return their used electronic products free of charge to designated collection facilities or to a retailer (if you purchase a similar new one).

For Countries not mentioned above, please contact your local authorities for a correct method of disposal.

By doing so you will ensure that your disposed product undergoes the necessary treatment, recovery and recycling and thus prevent potential negative effects on the environment and human health.

Table of Contents

Introduction.	5
Auro D208/D210 Features	6
Quick Start.	7
Rear Panel Layout	8
Connecting a Microphone.	9
Connecting a Stereo Signal Source	10
Linking Two Speakers Per Side	11
Positioning the Auro D208/D210	12
Connections.	13
Specifications.	14
Dimensions	15

Introduction

Thank you for purchasing the Samson Auro professional, powered loudspeaker. The Auro D208 and D210 are compact and powerful speaker cabinets featuring 200 watts of bi-amped onboard power. The Auro D208 and D210, respectively, feature 8" and 10" heavy-duty, long-excursion woofers, as well as 1" high frequency drivers on 1" throat wide dispersion horns. The speaker cabinets provide both XLR and ¼" phone jacks that handle microphone or line level inputs. The XLR Line Output allows you to "daisy-chain" multiple Auro cabinets together to create larger sound reinforcement systems.

For added speaker protection, the Auro D208 and D210 feature dual optical limiters that keep your speaker sounding perfect at any level, and the integrated two-band equalizer allows you to sculpt the mix to your desired sound. The cabinet's shape has been designed to be configured for either front-of-house use, or for operation as a wedge-style monitor. In addition, the Auro D208 and D210 can be easily stand mounted using the integral 1 3/8" pole mount receptacle.

Each Auro PA system's durable enclosure is made of high-impact polypropylene with a scuff-resistant textured finish, and include a heavy-grade steel grill, offering excellent protection against wear and tear for truly portable audio. The Auro active monitors are ideal for live music, DJ, lecture, and installed sound applications, or anywhere serious power and superior sound quality are desired.

In these pages, you'll find a detailed itemization of the features of the Auro PA stracsystem, as well as a description of its front and rear panels, step-by-step instructions for its setup and use, and full specifications. You'll also find a warranty card enclosed—please don't forget to fill it out and mail it in so that you can receive online technical support, and so that we can send you updated information about this and other Samson products in the future. Also, be sure to check out our website (www.samsontech.com) for complete information about our full product line.

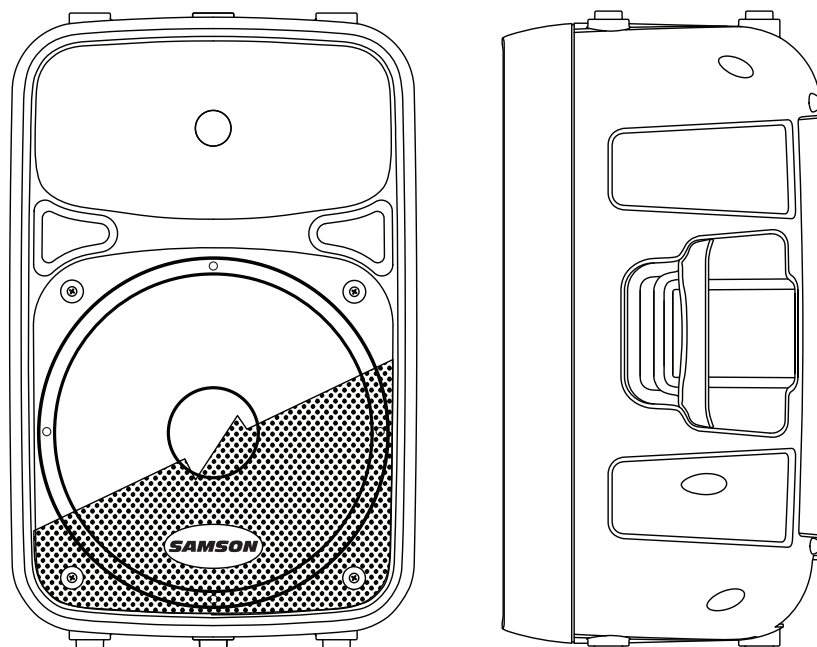
With proper care and adequate air circulation, your Auro cabinet will operate trouble free for many years. We recommend you record your serial number in the space provided below for future reference.

Serial number: _____

Date of purchase: _____

Should your unit ever require servicing, a Return Authorization (RA) number must be obtained before shipping your unit to Samson. Without this number, the unit will not be accepted. Please call Samson at 1-800-3SAMSON (1-800-372-6766) for an RA number prior to shipping your unit. Please retain the original packing materials and, if possible, return the unit in the original carton and packing materials. If you purchased your Samson product outside the United States, please contact your local distributor for warranty and service information.

Auro D208/D210 Features



Here is a look at some the features of the Auro powered loudspeakers:

- 200 watt, two-way active loudspeakers for live sound applications
- 150W LF + 50W HF power amplifiers (peak)
- Ultra-wide, flat frequency response
- Custom-designed, heavy-duty, 8"/10" long throw low frequency drivers provide enhanced bass response
- 1" high frequency driver with 1" throat for smooth high-end reproduction
- Balanced Mic/Line input with Volume control and Peak LED
- Two-band LF and HF shelving equalizer
- XLR Line Output connectors to "daisy-chain" multiple Auro cabinets
- Multi-band dynamics processing with audibly transparent limiting
- Internal 24 dB/octave time aligned electronic crossover
- 35° monitor angle for the D208 and 45° degree monitor angle for the D210
- Standard 1 3/8-inch (35mm) speaker stand receptacle
- Versatile, portable design with integrated side handles
- Tuned, ported bass reflex design for extended low end
- Rugged, lightweight polypropylene cabinet construction

The following steps will help you set up your Auro D208/D210 loudspeakers.

Setup

1. Turn the Level control on the rear panel fully counterclockwise.
2. Set the Bass and Treble EQ controls to the 12 o'clock position.
3. Turn the Power switch OFF.

Connections

1. Connect either a line-level signal from your mixer (or other source) or a microphone to the Input jack on the Auro D208/D210 rear panel.
2. Connect the supplied power cable to the IEC socket on the back of the loudspeaker. Plug the power cable into an AC outlet.
3. Note: Always make sure that the AC outlet is configured with the correct voltage as indicated on the rear panel of the Auro loudspeaker.

Operation

1. Switch the Auro's Power switch to the ON position.
2. Run an audio signal from your mixer, or talk into the microphone.
3. Slowly raise the Auro's Level control until you have reached the desired level.
4. If the volume from the speakers gets really loud, or you see the Peak indicator blinking frequently, turn down the Level control on the Auro D208/D210 a little until the Peak indicator does not light, or only lights occasionally with signal peaks.

Rear Panel Layout

1. XLR Input Connector

This female XLR connector accepts either a balanced microphone or line level signal.

2. 1/4" Input Connector

Use this 1/4" input for connecting balanced microphone or balanced and unbalanced line level inputs.

3. Line Output

Male XLR connector used to link multiple Auro cabinets.

4. Level Control

This control adjusts the overall signal level at the input of the power amplifiers. For attenuating a line level signal, turn the control from fully counter-clockwise until 12 o'clock. For a mic level signal turn the Level control past 12 o'clock.

5. Bass EQ Control

This controls the low band of the loudspeaker equalizer, +/- 15 dB at 80 Hz.

6. Treble EQ Control

This controls the high band of the loudspeaker equalizer, +/- 15 dB at 12 kHz.

7. Peak Indicator

This RED LED lights when the amp is near the clipping point. If the Peak indicator lights frequently, turn down the Level control on the Auro loudspeaker or turn down the signal at the source, until the indicator does not light anymore, or lights occasionally with signal peaks.

8. Power Indicator

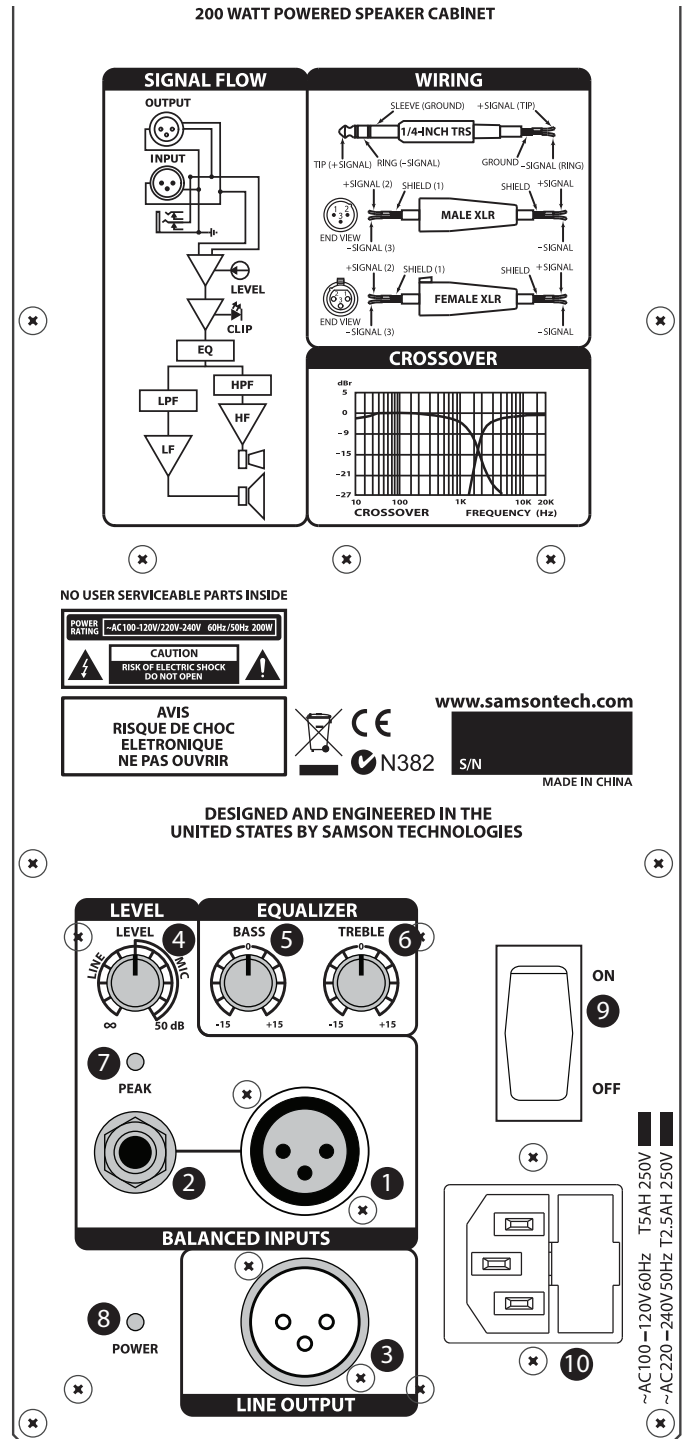
This LED lights GREEN when amp is active.

9. Power Switch

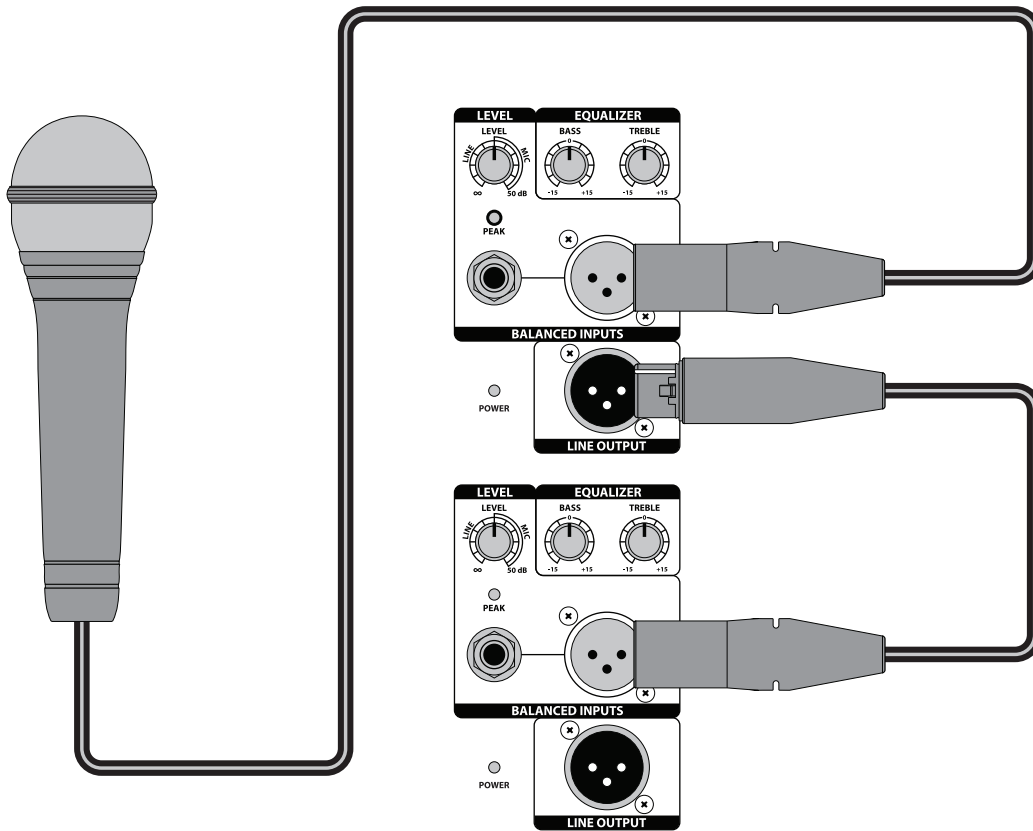
Switches on the Auro's main power.

10. AC Power Inlet

Connect the supplied standard IEC AC power cable here.



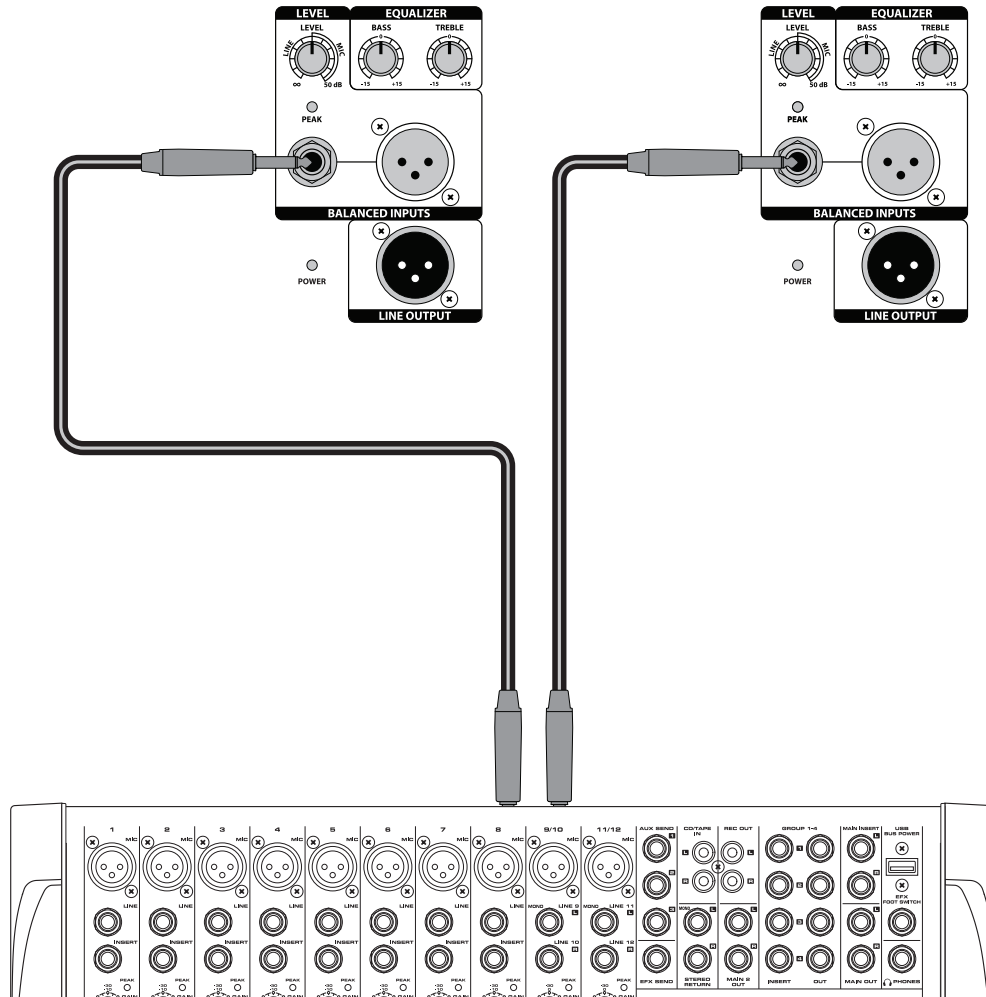
Connecting a Microphone



Using a Microphone

- Be sure that the Auro D208/D210 Power switch is set to the off position.
- Turn the LEVEL control fully counterclockwise to the off position.
- Connect the power cable to an AC socket.
- Using a standard XLR cable, plug a microphone into the Auro's XLR INPUT.
- Switch the Power switch to the ON position.
- While speaking or singing into the microphone, slowly raise the LEVEL control until you have reached the desired level.
- For larger sound reinforcement you can run several monitors using the Line Output to daisy-chain one Auro to another.

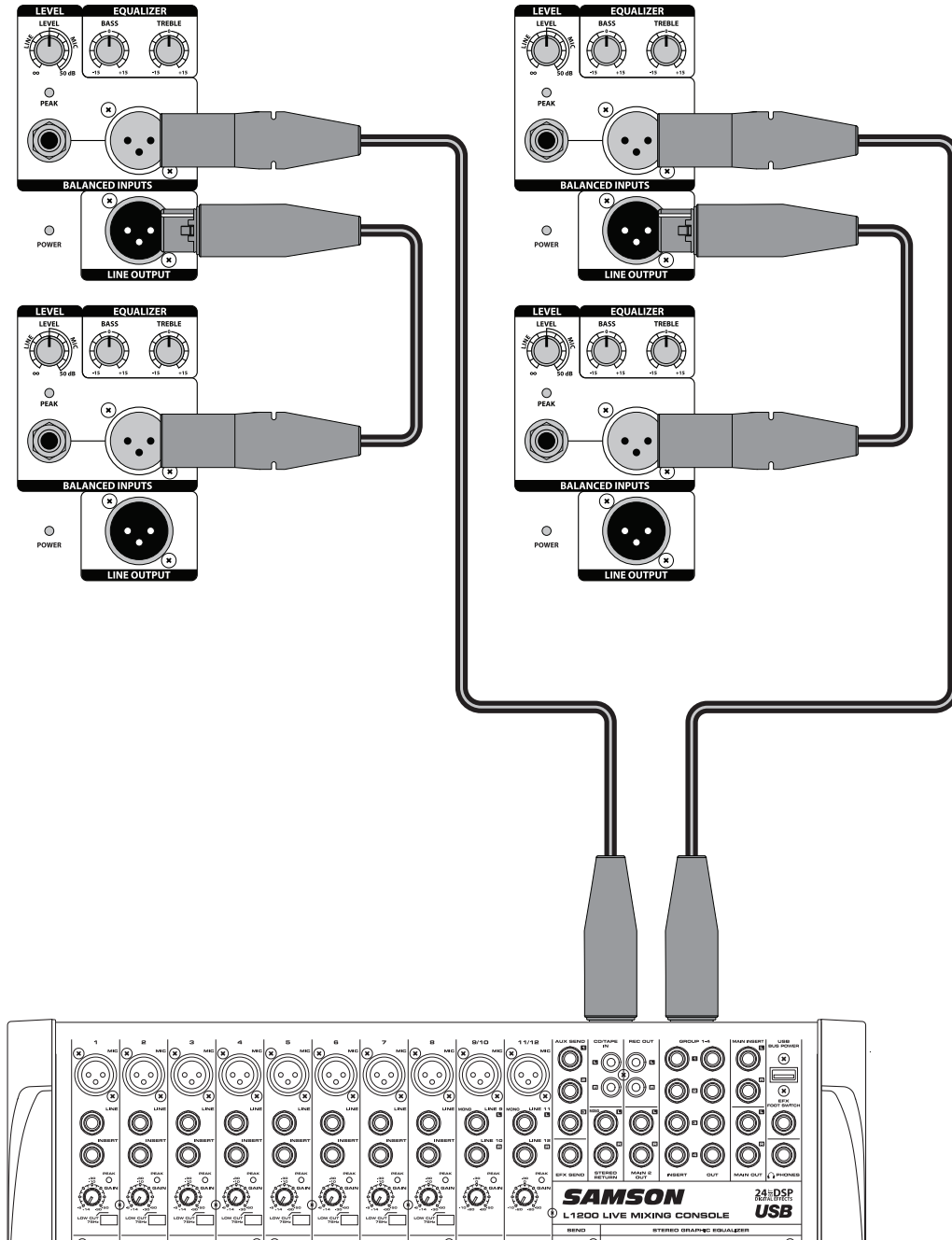
Connecting a Stereo Signal Source



Using a Stereo Line Level Signal

- Be sure that the Auro D208/D210 Power switch is set to the off position.
- Turn the LEVEL control fully counterclockwise to the off position.
- Connect the power cable to an AC socket.
- Using standard XLR or 1/4" cables, connect the line level signals from a mixer or keyboard into the Auro Inputs.
- Switch the Power switch to the ON position.
- Now, run an audio signal from your mixer (like music from a CD) while slowly raising the Auro's Level control until you have reached the desired level.

Linking Two Speakers Per Side



Linking two Auro cabinets per side:

- Turn the LEVEL control fully counterclockwise to the off position.
- Connect the left and right line-level outputs from a mixer to the inputs of two Auro loudspeakers.
- Feed the Line Outputs to another pair of Auro loudspeaker inputs.
- Now, run an audio signal from your mixer (like music from a CD) while slowly raising the Auro's Level control until you have reached the desired level.

Positioning the Auro D208/D210

Speaker Placement

Whenever possible, it is a good idea to raise the speakers above the heads of the listening audience. The Auro enclosures feature standard 1 3/8" pole mount receptacles, which are compatible with speaker stands from a variety of manufacturers. In a smaller setting like a school cafeteria, library, or a mall kiosk, you can also use the Auro loudspeaker in one of the tilt back monitor positions, which will improve the projection of the speakers and may eliminate the need for speaker stands.

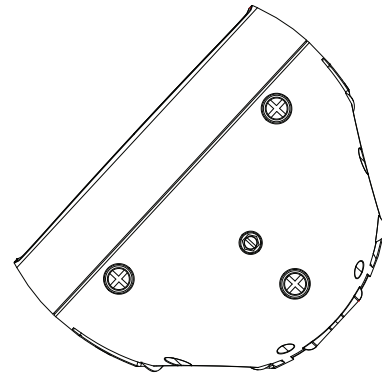
Note: When using a speaker pole mount, be sure the pole is capable of supporting the weight of the Auro loudspeaker.

Note: Always have another person to assist when mounting the Auro speaker onto a speaker stand, or when adjusting the stand while the speaker is mounted on the stand.



Using the Auro D208/D210 as a Floor Monitor

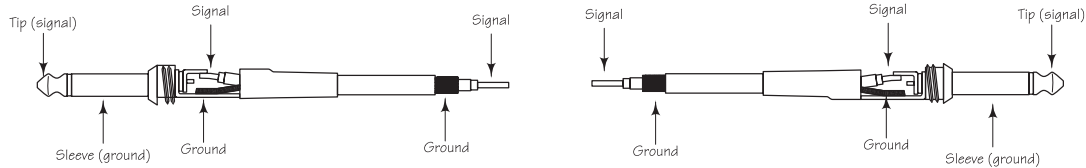
The Auro D208/D210 is an ideal solution for stage monitoring and thanks to its unique design, can be placed on its side to be used as a wedge monitor. The Auro D208 features a 35° monitor position, and the Auro D210 features a 45° monitor position.



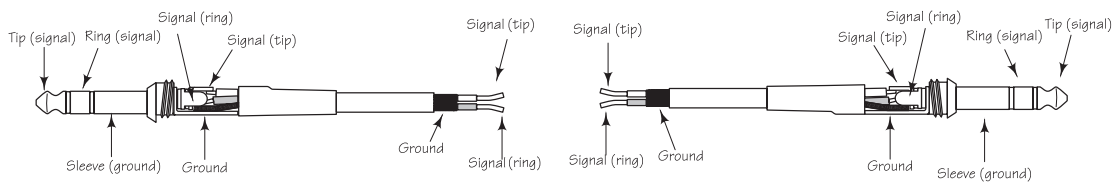
Connections

The Auro D208/D210 features balanced inputs and outputs, so connecting balanced and unbalanced signals is acceptable. Whenever possible, use balanced connections to other equipment to suppress interference.

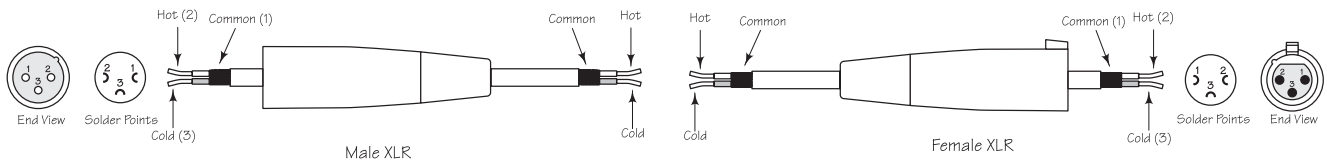
Unbalanced 1/4" Connector



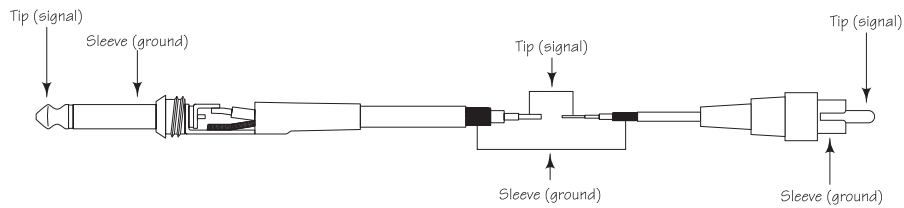
Balanced TRS 1/4" Connector



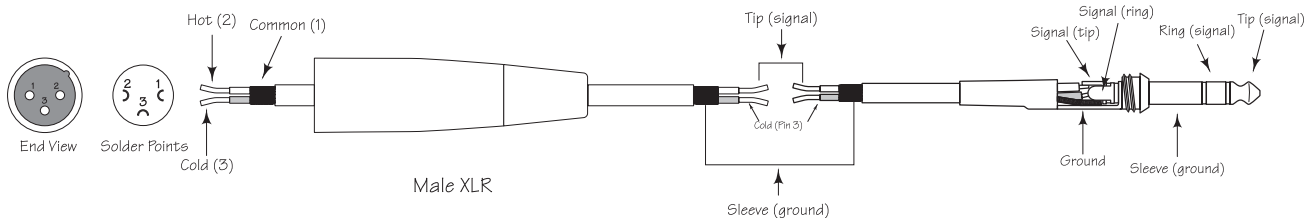
XLR to XLR Balanced



Unbalanced 1/4" Connector to RCA



XLR to Balanced 1/4-Inch



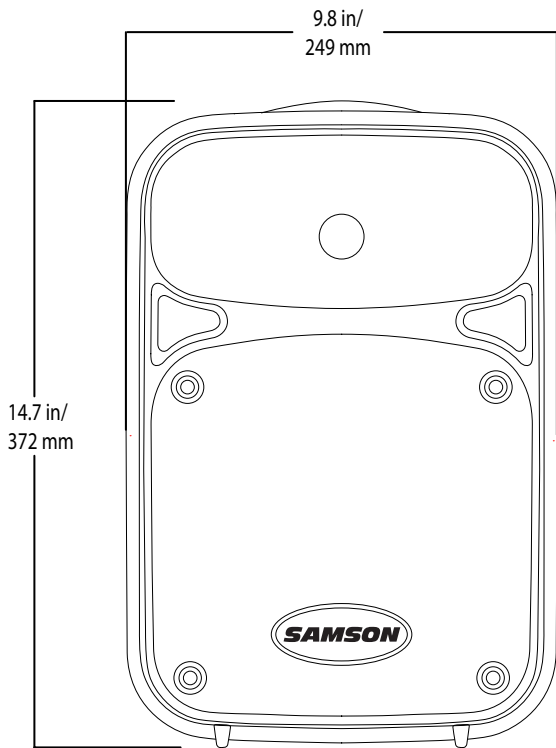
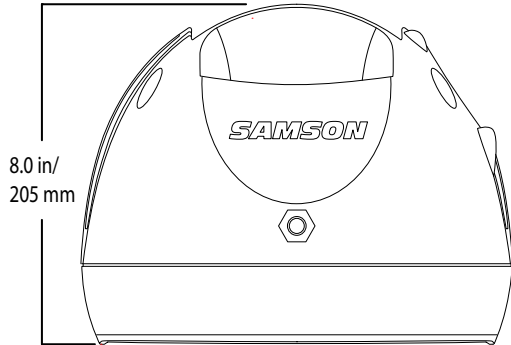
ENGLISH
FRANÇAIS
DEUTSCHE
ESPAÑOL
ITALIANO

Specifications

		D208	D210
Output Power			
Low Frequency	RMS Power	135 W @ 8 ohms	
	Peak Power	160 W @ 8 ohms	
	THD	< 1 %	
High Frequency	RMS Power	20 W @ 8 ohms	
	Peak Power	40 W @ 8 ohms	
	THD	< 1 %	
Transducers			
Low Frequency	8" bass transducer		10" bass transducer
High Frequency	1" (25 mm) high frequency driver		
Acoustic Performance			
Frequency Response (-3 dB)	64 Hz to 20 kHz		60 Hz to 20 kHz
Maximum Sound Pressure Level	113 dB SPL @ 1 m		113 dB SPL @ 1 m
Limiter	Optical		
Horizontal Coverage Angle	90°		
Vertical Coverage Angle	60°		
Electronic Crossover			
Crossover Type	24 dB/oct Linkwitz-Riley		
Crossover Frequency	2.1 kHz		
Input/Output			
Inputs	Balanced XLR & 1/4" Mic/Line Connectors		
Output	Balanced XLR Line Output		
Equalization			
High	±15 dB @ 12 kHz, shelving		
Low	±15 dB @ 80 Hz, shelving		
Power Supply			
Power Consumption	300 W max.		
AC Connector	3-pin IEC 250 VAC, 20 A male		
Fuse	100 - 115 VAC T5AL / 250 V		
	220 - 240 VAC T2.5AL / 250 V		
Dimensions and Weight			
Dimensions	in	9.8" L x 8.0" W x 14.7" H	11.5" L x 9.6" W x 18.3" H
	mm	249 mm L x 205 mm W x 372 mm H	292 mm L x 244 mm W x 464 mm H
Weight	lbs	14.7	18.8
	kg	6.66	8.52
Mounting			
Mounting Method	Integral 1 3/8" Pole Mount Receptacle		
Fly Point	1		

Specifications are subject to change without notice.

D208



D210

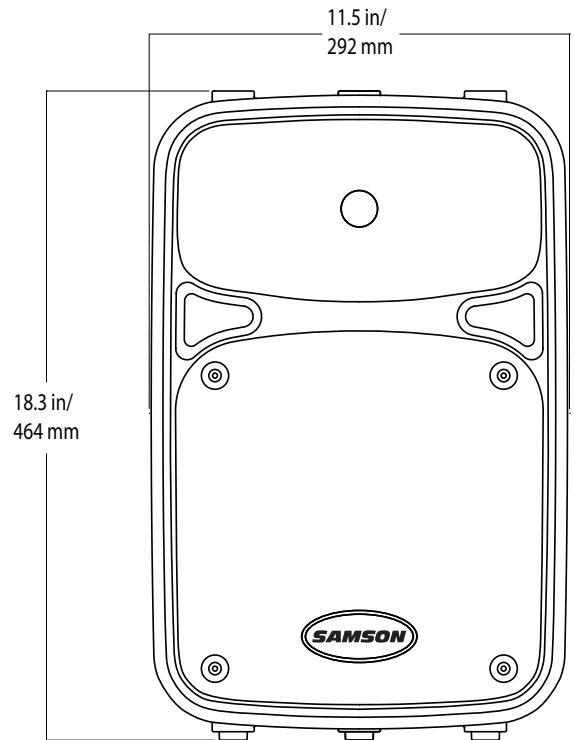
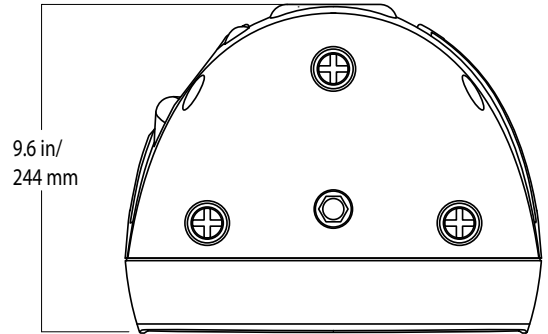


Table des matières

Introduction17
Auro D208/D210 — Généralités18
Mise en oeuvre19
Face arrière20
Connexion d'un micro21
Connexion d'un signal stéréo.22
Connexion de 2 enceintes par côté23
Positionnement des enceintes Auro D208/D210.24
Connexions25
Caractéristiques techniques.26
Dimensions27

Merci d'avoir choisi les enceintes actives Samson Auro professional. Les enceintes Auro D208 et D210 sont compactes et puissantes. Elles délivrent 200 Watts par bi-amplification interne. Les enceintes Auro D208 et D210, sont équipées respectivement de Woofers de 8 pouces (20 cm) et de 10 pouces (25 cm) haute fiabilité et à longue élévation, et de Tweeters à compression de 25 mm montés sur des trompes à dispersion large et couplés par guide d'onde de 25 mm. Ces enceintes sont équipées de connecteurs XLR et 6,35 mm qui peuvent accepter des signaux à niveau micro ou ligne. La sortie ligne en XLR vous permet de connecter plusieurs enceintes Auro en série et obtenir ainsi un système de sonorisation évolutif en fonction de vos besoins.

Pour une protection supérieure, les enceintes Auro D208 et D210 sont équipées de doubles limiteurs optiques qui vous garantissent le meilleur son, quel que soit le niveau. L'égaliseur 2 bandes intégré vous permet de modifier la réponse en fonction du résultat sonore souhaité. La forme trapézoïdale des baffles vous permet d'utiliser les enceintes en sonorisation de façade ou en retour de scène «bain de pied». De plus, le format compact des enceintes vous permet de les empiler à l'aide des supports intégrés. Vous pouvez également monter les enceintes sur pied grâce à leur embase pour pied intégrée.

Le baffle des Auro est en polypropylène ultra résistant, anti-rayures et anti-choc. Les Woofers sont parfaitement protégés par une grille en acier haute résistance — les enceintes sont parfaitement protégées contre l'usure et les abus des concerts. Les Auro sont parfaites en sonorisation de concerts, pour les DJ, les conférences, les installations fixes, ou toute autre application nécessitant une puissance élevée et une très bonne qualité sonore.

Dans ces pages, vous trouverez tout ce dont vous avez besoin sur les Auro PA, avec une description des faces avant et arrière, des instructions pas-à-pas de mise en œuvre et d'utilisation, et les caractéristiques techniques. Vous trouverez également la carte de garantie — pensez à nous la renvoyer pour bénéficier de l'assistance technique, et pour recevoir toutes les mises à jour sur les produits Samson à l'avenir. Également, consultez notre site Internet (www.samsontech.com) pour de plus amples renseignements sur tous nos produits.

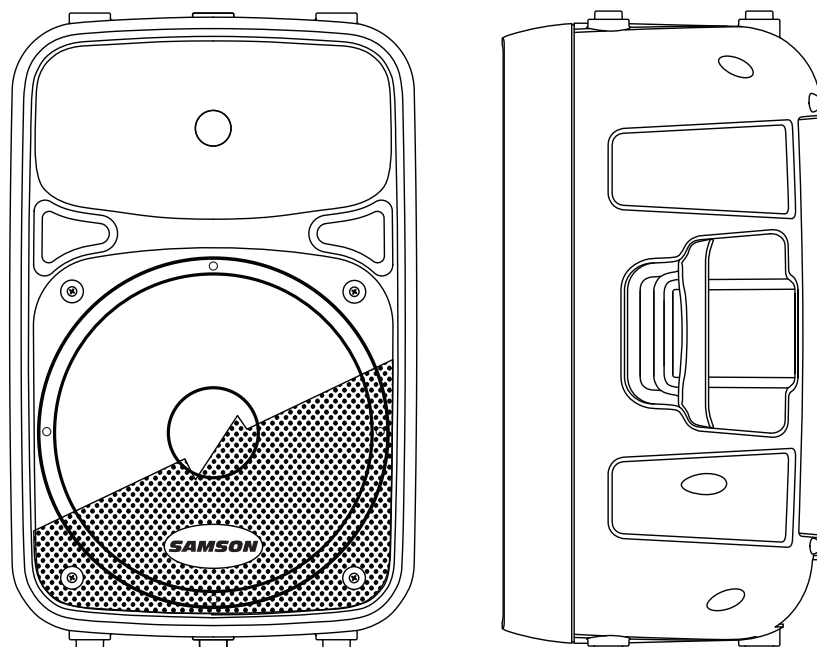
Avec un entretien adapté, les enceintes Auro vous donneront satisfaction pendant de très nombreuses années. Prenez le temps de noter le numéro de série et la date d'achat ci-dessous pour toute référence ultérieure.

Numéro de série : _____

Date d'achat : _____

Si vous devez faire réparer cet appareil, vous devez tout d'abord obtenir un numéro d'autorisation de retour auprès de nos services. Sans ce numéro d'autorisation, l'appareil ne sera pas accepté lors de sa réception. Appelez Samson au : 1-800-3SAMSON (1-800-372-6766) pour obtenir ce numéro d'autorisation. Utilisez les emballages d'origine pour le retour.

Auro D208/D210 — Généralités



Voici quelques unes des fonctions des enceintes actives Auro :

- Enceintes de sonorisation actives 2 voies de 200 Watts
- 150 Watts pour le Woofer + 50 Watts pour le Tweeter (en crête)
- Réponse en fréquence ultra-large et plate
- Woofer de 8/10 pouces (20/25 cm) de construction spéciale, haute résistance, à longue elongation offrant une réponse étendue dans le bas du spectre
- Tweeter de 25 mm avec couple acoustique de 25 mm offrant une restitution douce et musicale des hautes fréquences
- Entrée Micro/ligne symétrique avec réglage de volume et Led d'écrêtage
- Égaliseur Baxendall deux bandes (basses et hautes fréquences)
- Sortie ligne en XLR pour connecter plusieurs Auro en série
- Traitement multi-bande de la dynamique avec limitation indécélable
- Filtre actif interne à 24 dB/octave avec alignement temporel
- Angles de retour de 30 degrés par la D208 et de 45 degrés pour la D210 en retours de scène
- Embase pour pied standard de 35 mm
- Enceinte polyvalente et aisément transportable avec poignées latérales intégrées
- Baffle Bass Reflex accordé pour une réponse étendue dans le bas du spectre
- Baffle ultra résistant et léger en polypropylène

Les étapes suivantes vous aident à utiliser rapidement vos enceintes Auro D208/D210.

Mise en oeuvre

1. Baissez le niveau Level de face arrière au minimum.
2. Réglez les boutons Bass et Treble en position centrale.
3. Placez l'interrupteur en position OFF.

Connexions

1. Reliez un signal à niveau ligne en provenance de votre console de mixage (ou toute autre source), ou un micro à l'entrée Input de l'Auro D208/D210 (en face arrière).
2. Connectez le cordon d'alimentation fourni à l'embase IEC, à l'arrière de l'enceinte. Reliez la fiche secteur à une prise secteur murale.
3. Remarque : Vérifiez toujours que la tension d'utilisation de l'enceinte (indiquée en face arrière) soit identique à la tension secteur de votre zone géographique.

Utilisation

1. Placez l'interrupteur en position ON.
2. Alimentez le signal en provenance de la console de mixage ou parlez dans le micro.
3. Montez lentement le niveau Level de l'Auro jusqu'à obtenir le niveau souhaité. .
4. Si le volume des enceintes est trop élevé, ou si le témoin Peak s'allume souvent, baissez un peu le bouton Level de l'Auro D208/D210 jusqu'à ce que le témoin Peak ne s'allume que rarement, sur les pointes de signal.

Face arrière

1. Entrée XLR

Cette embase XLR femelle accepte les signaux symétriques à niveau micro ou ligne.

2. Entrée Jack 6,35 mm

Utilisez cette entrée en Jack 6,35 mm avec un micro symétrique ou des signaux à niveau ligne symétriques ou asymétriques.

3. Sortie Ligne

Cette embase XLR mâle vous permet de relier plusieurs enceintes Auro en série.

4. Bouton Level

Ce bouton règle le niveau général en entrée des étages de puissance. Lorsque vous travaillez avec un signal à niveau ligne, utilisez la moitié inférieure de la plage du potentiomètre. Lorsque vous travaillez avec un signal à niveau micro, utilisez la moitié supérieure.

5. Bouton Bass

Règle l'égaliseur basse fréquence sur une plage de +/- 15 dB à 80 Hz.

6. Bouton Treble

Règle l'égaliseur haute fréquence sur une plage de +/- 15 dB à 12 kHz.

7. Témoin Peak

Ce témoin ROUGE s'allume lorsque l'amplificateur de sortie atteint l'écrêtage. Si le témoin Peak s'allume souvent, baissez le bouton Level sur l'Auro ou réduisez le niveau à la source, jusqu'à ce que le témoin ne s'allume que rarement, sur les pointes de signal.

8. Témoin Power

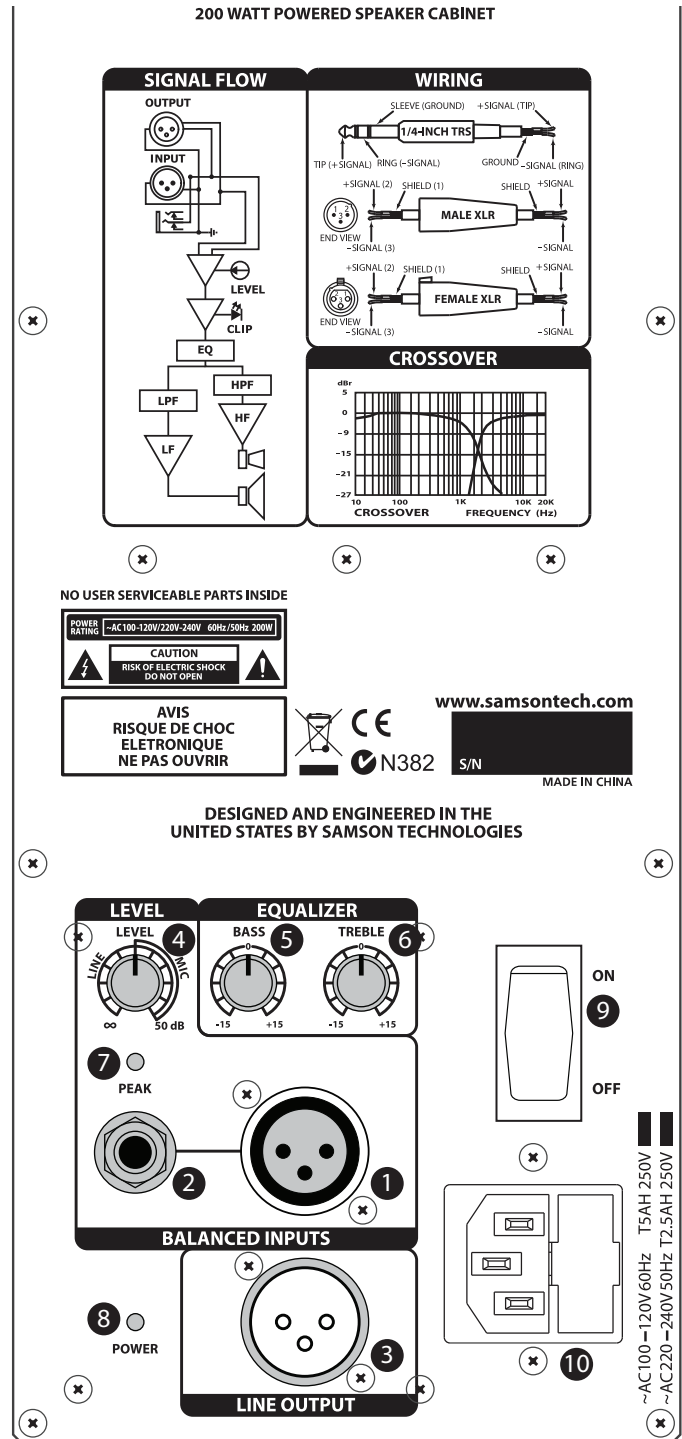
Cette Led s'allume en vert lorsque l'enceinte est sous tension.

9. Interrupteur secteur Power

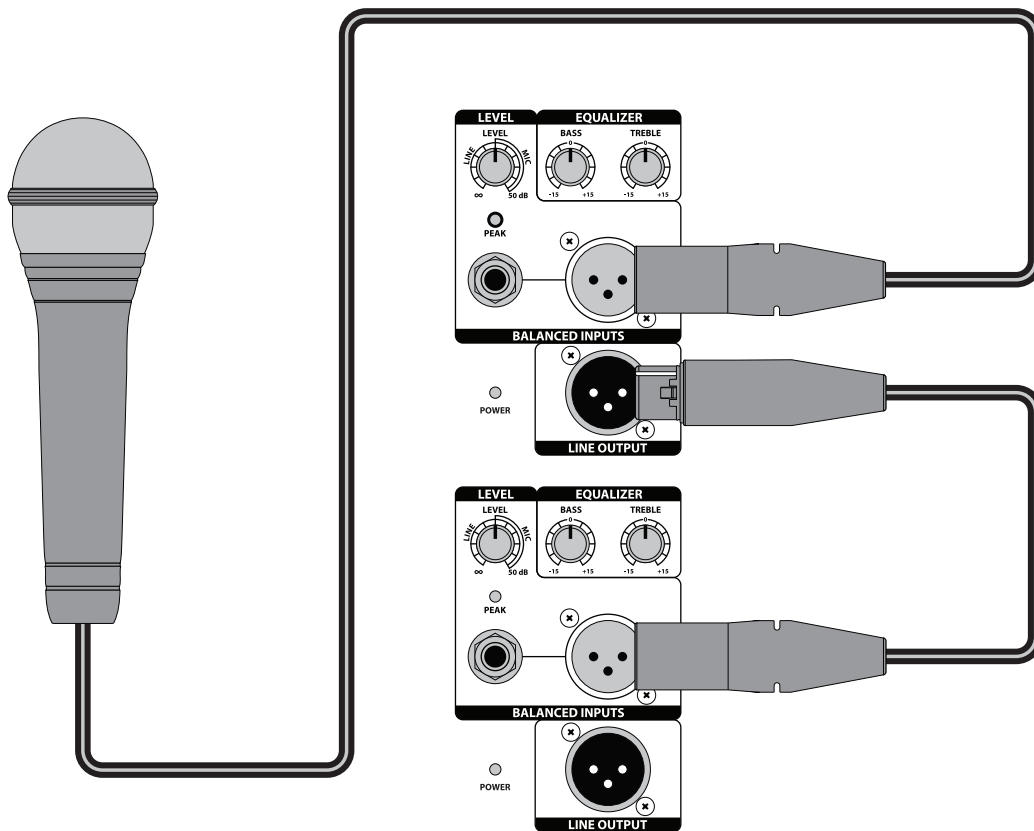
Place l'Auro sous/hors tension.

10. Embase secteur

Connectez le cordon secteur fourni à cette embase.



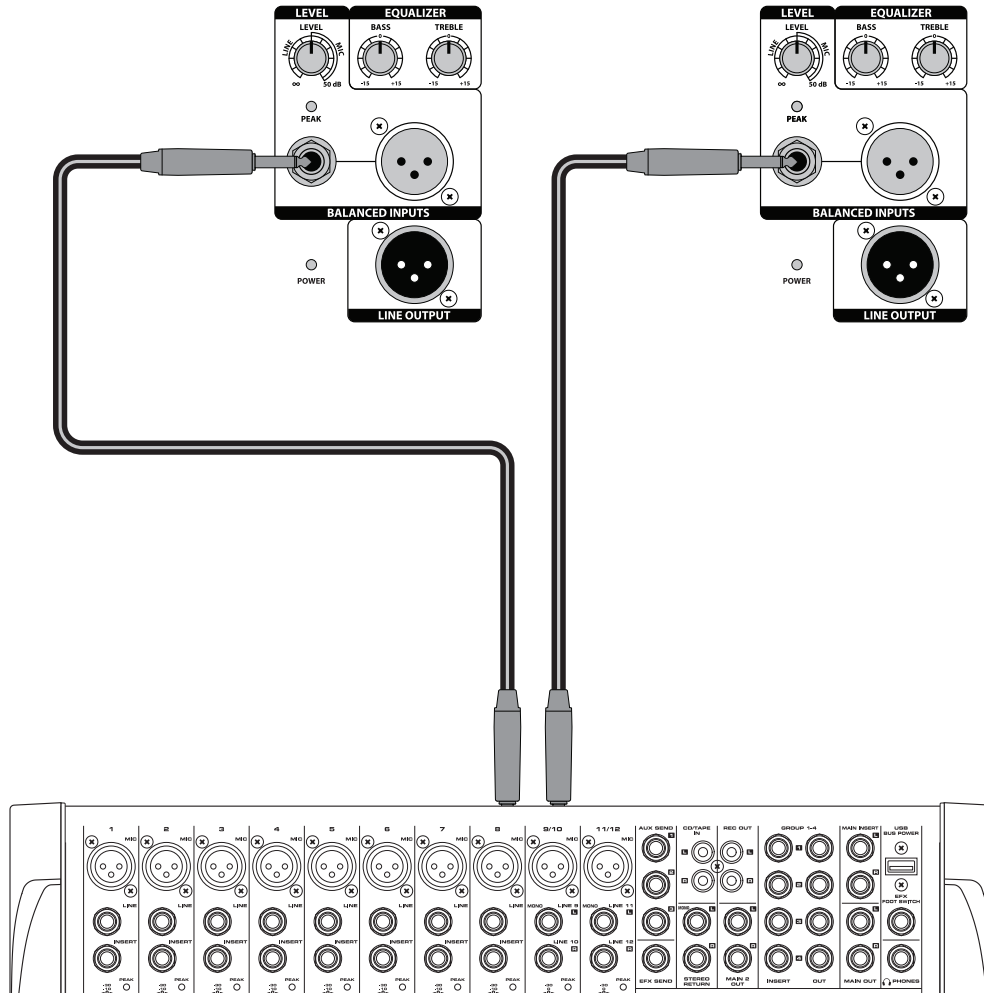
Connexion d'un micro



Utilisation d'un micro

- Placez l'interrupteur de l'Auro D208/D210 sur Off.
- Baissez le niveau LEVEL de face arrière au minimum sur Off.
- Connectez le cordon d'alimentation fourni à l'embase IEC, à l'arrière de l'enceinte. Reliez la fiche secteur à une prise secteur murale.
- Utilisez un câble XLR standard pour relier un micro à l'entrée XLR de l'Auro.
- Placez l'interrupteur de l'Auro D208/D210 sur ON.
- Parlez ou chantez dans le micro et montez progressivement le bouton LEVEL jusqu'à obtenir le niveau souhaité.
- Pour une puissance de sonorisation plus importante, reliez plusieurs enceintes Auro en série avec la sortie Line Output.

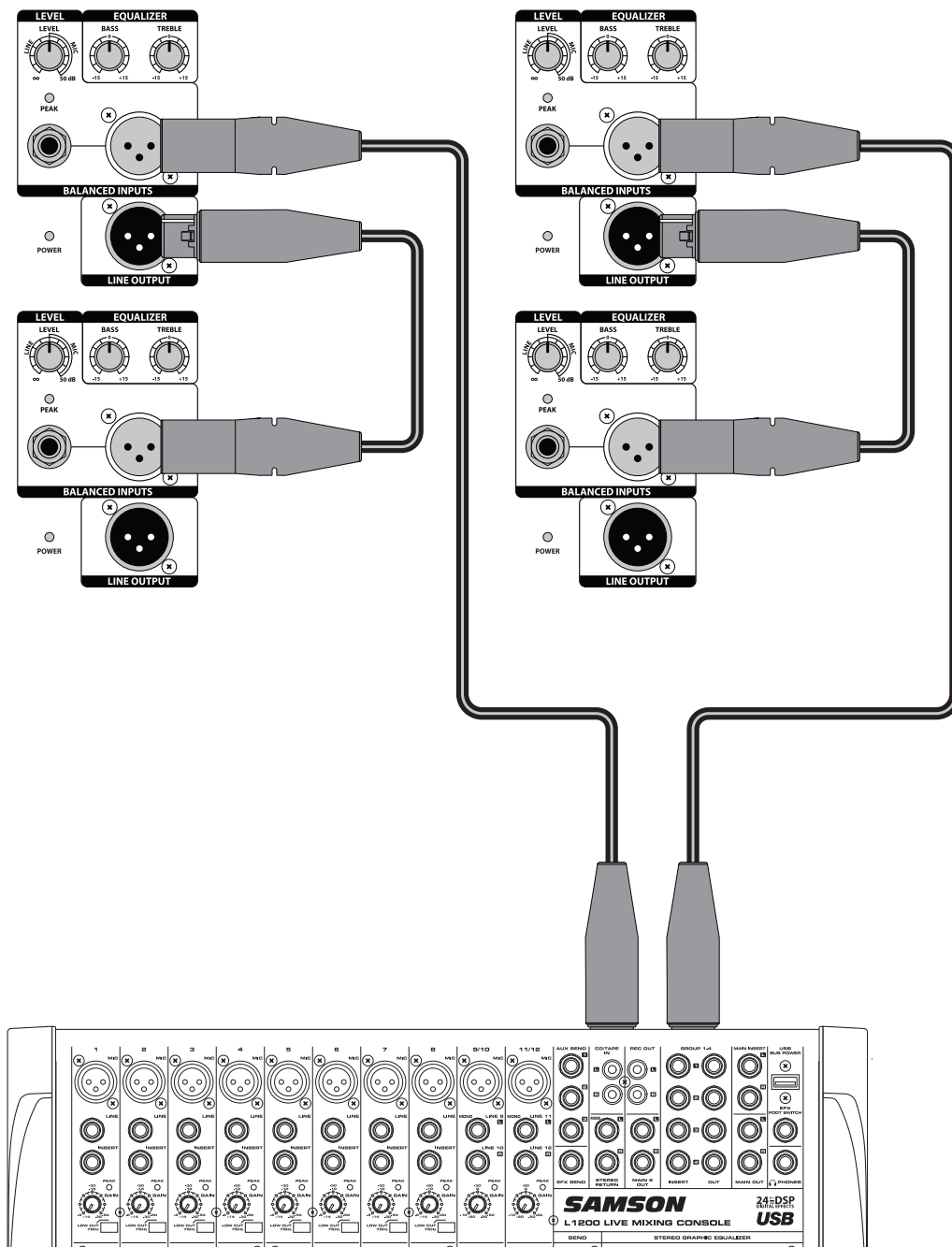
Connexion d'un signal stéréo



Utilisation d'un signal stéréo à niveau ligne

- Placez l'interrupteur de l'Auro D208/D210 sur Off.
- Baissez le niveau LEVEL de face arrière au minimum.
- Connectez le cordon d'alimentation fourni à l'embase IEC, à l'arrière de l'enceinte. Reliez la fiche secteur à une prise secteur murale.
- À l'aide d'un câble XLR ou Jack 6,35 mm standard, connectez les signaux à niveau ligne d'une console de mixage ou d'un clavier aux entrées des enceintes Auro.
- Placez l'interrupteur de l'Auro D208/D210 sur ON.
- Lancez la lecture du signal à niveau ligne en provenance de la console de mixage (musique en provenance d'un lecteur de CD, par exemple), et montez progressivement le réglage Level des enceintes, jusqu'à obtenir le niveau souhaité.

Connexion de 2 enceintes par côté



Pour connecter deux enceintes Auro par côté :

- Baissez le niveau Level de face arrière au minimum.
- Reliez les sorties ligne gauche et droite de la console aux entrées des deux enceintes Auro.
- Reliez les sorties Line Outputs à deux autres enceintes Auro comme indiqué sur l'illustration.
- Lancez la lecture du signal à niveau ligne en provenance de la console de mixage (musique en provenance d'un lecteur de CD, par exemple), et montez progressivement le réglage Level des enceintes, jusqu'à obtenir le niveau souhaité.

Positionnement des enceintes Auro D208/D210

Positionnement des enceintes

Lorsque cela est possible, placez les enceintes au-dessus de la tête du public. Les enceintes Auro sont équipées de supports de pied d'enceintes à verrouillage, compatibles avec les pieds d'enceintes de nombreux fabricants. Pour les applications de plus faible puissance comme dans une cantine d'école, une bibliothèque, un petit kiosque à musique, vous pouvez placer l'enceinte en position latérale inclinée, ce qui améliore la projection des enceintes et élimine le besoin d'utiliser des pieds.

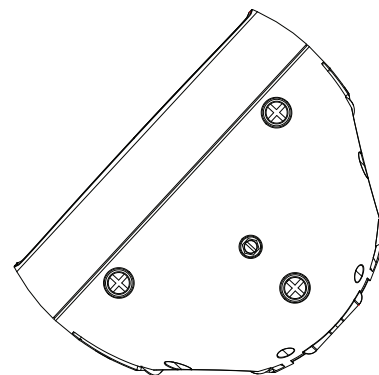
Remarque : Si vous utilisez des pieds d'enceintes, veillez à utiliser des modèles pouvant supporter la charge des Auro.

Remarque : Aidez-vous d'une autre personne lorsque vous installez les Auro sur des pieds, ou lorsque vous réglez les pieds avec les enceintes dessus.



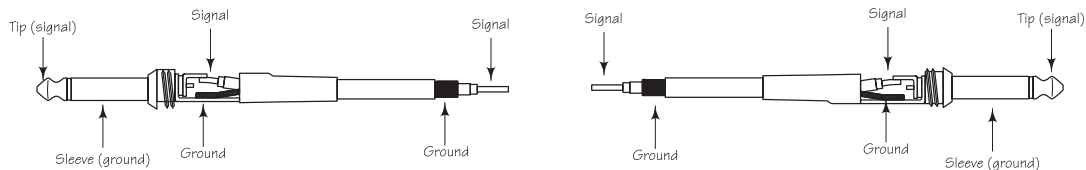
Utilisation des Auro D208/D210 en retour de scène

Les Auro D208/D210 sont parfaites en retour de scène bain de pied en position inclinée, grâce à leur forme unique. L'Auro D208 offre une dispersion de 35° en position de retour, et l'Auro D210 offre une dispersion de 45°.

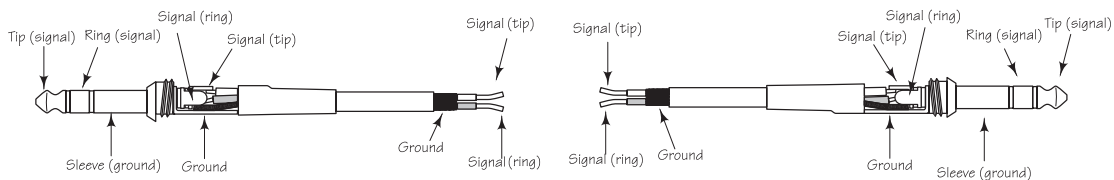


Les enceintes Auro D208/D210 sont équipées d'entrées et de sorties symétriques, acceptant également des signaux symétriques. Lorsque cela est possible, utilisez des liaisons symétriques pour éviter toute interférence.

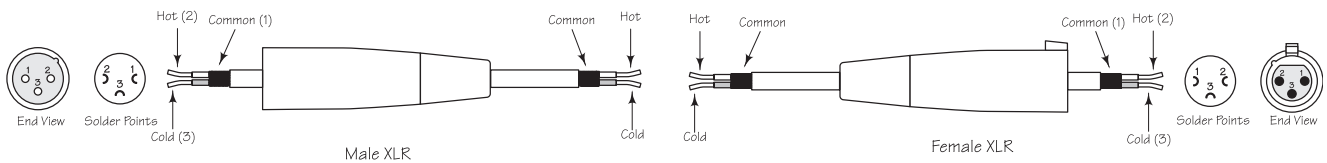
Jack 6,35 mm asymétrique



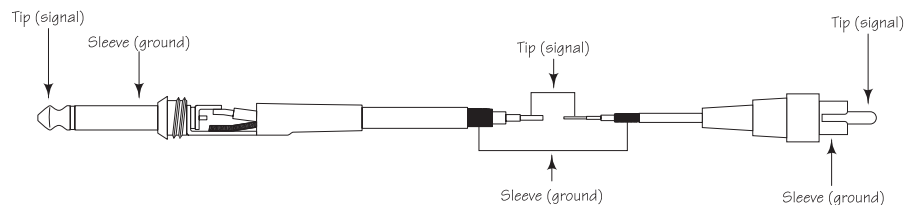
Jack 6,35 mm stéréo symétrique



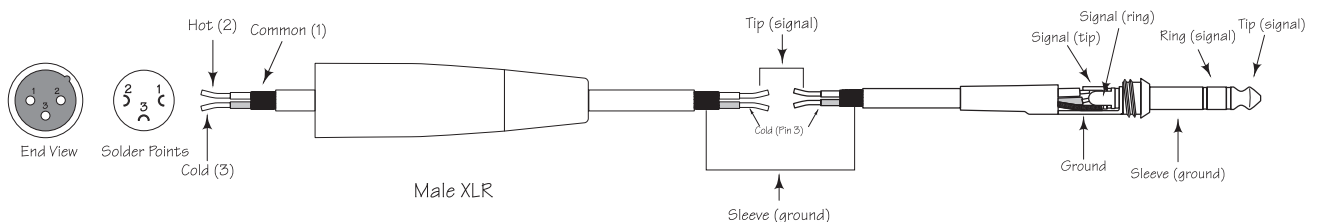
XLR vers XLR (symétrique)



Jack 6,35 mm asymétrique vers RCA



XLR vers Jack 6,35 mm stéréo symétrique

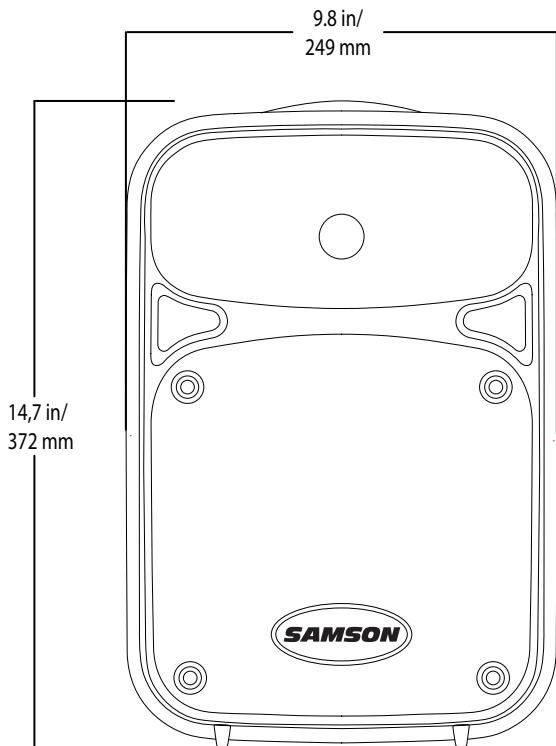
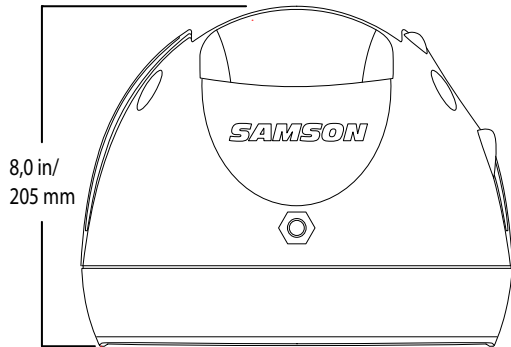


Caractéristiques techniques

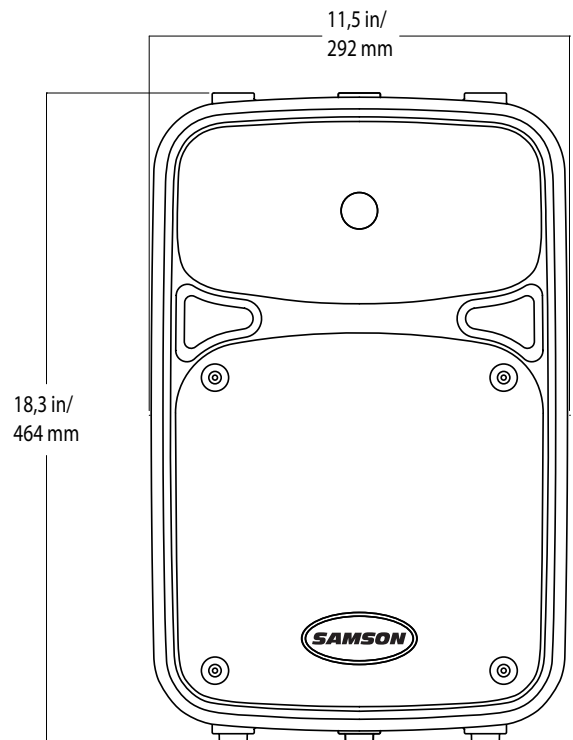
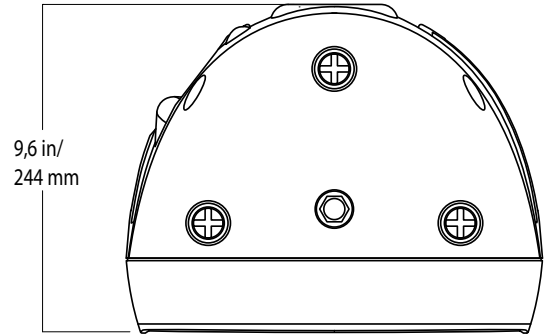
		D208	D210
Puissance de sortie			
Basse fréquence	Efficace	135 W dans 8 ohms	
	Crête	160 W dans 8 ohms	
	DHT	< 1 %	
Haute fréquence	Efficace	20 W dans 8 ohms	
	Crête	40 W dans 8 ohms	
	DHT	< 1 %	
Haut-parleurs			
Basse fréquence		Woofer de 20 cm	Woofer de 25 cm
Haute fréquence		Tweeter de 25 mm, bobine à fil cuivre	
Mesures acoustiques			
Réponse en fréquence (-3 dB)		64 Hz à 20 kHz	60 Hz à 20 kHz
Pression sonore maximum		113 dB SPL à 1 m	113 dB SPL à 1 m
Limiteur		Optique	
Couverture horizontale		90°	
Couverture verticale		60°	
Filtre actif			
Type de filtre		Linkwitz-Riley à 24 dB/oct	
Fréquence de coupure		2,1 kHz	
Entrées/sorties			
Entrées		Connecteurs Mic/Line symétriques XLR et Jack 6,35 mm	
Sorties		Sortie ligne symétrique en XLR	
Égalisation			
High		±15 dB à 12 kHz, Baxendall	
Low		±15 dB à 80 Hz, Baxendall	
Alimentation			
Consommation électrique		300 W max.	
Embase secteur		IEC 3 broches, 250 Vca, 20 A mâle	
Fusible		100 - 115 Vca T5 AL / 250 V	
		220 - 240 Vca T2,5 AL / 250 V	
Dimensions et poids			
Dimensions	Pouces	9.8" L x 8.0" W x 14.7" H	11.5" L x 9.6" W x 18.3" H
	mm	249 mm (L) x 205 mm (l) x 372 mm (H)	292 mm (L) x 244 mm (l) x 464 mm (H)
Poids	Livres US	14,7	18,8
	kg	6,7	8,5
Installation			
Méthode d'installation		Embase pour pied d'enceinte standard de 35 mm	
Points de suspension		1	

Caractéristiques sujettes à modifications sans préavis

D208



D210



Inhalt

Einleitung29
Auro D208/D210 Features30
Schnellstart31
Rückseite.32
Mikrofon anschließen.33
Stereo-Signalquelle anschließen.34
Zwei Boxen pro Seite koppeln35
Auro D208/D210 positionieren.36
Anschlüsse37
Technische Daten38
Abmessungen39

Herzlichen Dank für den Kauf einer professionellen Samson Auro-Aktivbox. Die Auro D208 und D210 sind kompakte, kraftvolle Boxen und erzeugen intern 200 Watt an Bi-Amp-Leistung. Die Auro D208 und D210 verfügen jeweils über hochbelastbare, weit auslenkende 8" und 10" Woofer sowie über 1" Höhentreiber auf breit streuenden Hörnern mit 1" Trichteröffnungen. Die Lautsprechergehäuse bieten XLR- und 6,35 mm Klinkenbuchsen für Eingangssignale mit Mikrofon- und Line-Pegel. Über den XLR Line-Ausgang lassen sich mehrere Auro-Boxen verketteten, um größere Beschallungssysteme aufzubauen.

Zum zusätzlichen Schutz der Lautsprecher sind die Auro D208 und D210 mit doppelten optischen Limitern ausgerüstet, die Ihren Boxen bei allen Pegeln einen perfekten Klang verleihen. Mit dem integrierten 2-Band-EQ können Sie die Mischung nach Ihren Klangvorstellungen formen. Die trapezförmigen Gehäuse lassen sich als PA-Hauptboxen und als Bodenmonitore konfigurieren. Zudem kann man die Auro D208 und D210 lassen sich mit der integrierten 1 3/8" Ständerhalterung problemlos auf Ständern montieren.

Das robuste Gehäuse des mühelos transportierbaren Auro PA-Systems besteht aus hochschlagfestem Polypropylen mit kratzfester texturierter Oberfläche und einem massiven Stahlschutzgitter, was einen hervorragenden Schutz gegen Verschleiß bietet. Die Auro-Aktivmonitore sind ideal geeignet für Live-Musik, DJing, Vorträge und Festinstallationen sowie für alle Gelegenheiten, bei denen Leistungsstärke und exzellente Klangqualität unverzichtbar sind.

Auf diesen Seiten finden Sie eine detaillierte Aufstellung der Funktionen des Auro PA-Systems sowie eine Beschreibung der Vorder- und Rückseite, schrittweise Anleitungen für die Einrichtung und Anwendung plus umfassende technische Daten. Bitte vergessen Sie nicht, die beiliegende Garantiekarte ausgefüllt an uns zurückzusenden, damit Sie online technischen Support erhalten und wir Ihnen zukünftig aktuelle Informationen über dieses und andere Samson-Produkte zukommen lassen können. Besuchen Sie auch unsere Website (www.samsontech.com), um Informationen über unsere komplette Produktpalette zu erhalten.

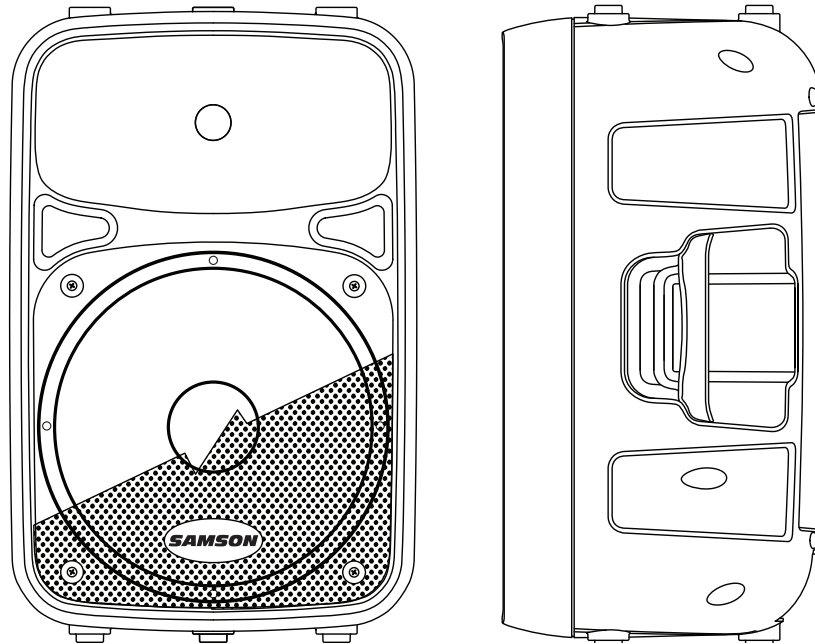
Bei sorgsamer Behandlung und angemessener Belüftung wird Ihre Auro-Aktivbox viele Jahre störungsfrei funktionieren. Die Seriennummer Ihres Geräts sollten Sie vorsorglich in der Zeile unten eintragen.

Seriennummer: _____

Kaufdatum: _____

Falls Ihr Gerät einmal gewartet werden muss, benötigen Sie vor der Rücksendung an Samson eine Return Authorization-Nummer (RA/Rücksendeberechtigungsnummer). Ohne diese Nummer wird das Gerät nicht angenommen. Rufen Sie bitte Samson unter 1-800-3SAMSON (1-800-372-6766) an, um vor der Rücksendung eine RA-Nummer zu erhalten. Bewahren Sie das Verpackungsmaterial auf und schicken Sie das Gerät möglichst im Originalkarton und der Originalverpackung zurück. Wenn Sie Ihr Samson-Produkt nicht in den USA gekauft haben, setzen Sie sich bei Fragen zu Garantie und Wartung bitte mit Ihrem lokalen Vertrieb in Verbindung.

Auro D208/D210 Features



Die wichtigsten Features der Auro-Aktivboxen:

- 2-Weg, 200-Watt Aktivboxen für die Live-Beschallung
- 150 W LF + 50 W HF Endstufen (Spitzenleistung)
- Ultrabreiter linearer Frequenzgang
- Speziell entwickelte, hochbelastbare 8"/10" Basstreiber mit weiter Auslenkung und optimiertem Bassfrequenzgang
- 1" Höhentreiber mit 1" Trichteröffnung für ausgewogene Höhenwiedergabe
- Symmetrischer Mic/Line-Eingang mit Pegelregler und Peak LED
- 2-Band LF und HF Shelving EQ
- XLR Line-Ausgänge zum Verketteten mehrerer Auro-Boxen
- Mehrbandige Dynamikbearbeitung mit hörbar transparentem Limiting
- Internes laufzeitangepasstes elektronisches Crossover mit 24 dB/Oktave
- 35° Monitorwinkel bei der D208 und 45° Monitorwinkel bei der D210 Standard 1 3/8" (35 mm) Boxenständerhalterung
- Vielseitige tragbare Konstruktion mit integrierten Seitengriffen
- Abgestimmtes Bassreflexsystem mit Luftkanal für erweiterte Tiefbässe
- Robustes, leichtes Polypropylen-Gehäuse

Schnellstart

Die folgenden Schritte werden Ihnen bei der Inbetriebnahme Ihrer Auro D208/D210 Aktivboxen helfen.

Einrichtung

1. Drehen Sie den rückseitigen Pegelregler ganz nach links.
2. Stellen Sie die Bass- und Treble EQ-Regler auf 12 Uhr ein.
3. Stellen Sie den Power-Schalter auf OFF ein.

Anschlüsse

1. Schließen Sie entweder das Line-Pegel-Signal Ihres Mixers (oder andere Quelle) oder ein Mikrofon an die Input-Buchse auf dem rückseitigen Bedienfeld der Auro D208/D210 an.
2. Schließen Sie das mitgelieferte Netzkabel an den rückseitigen IEC-Eingang der Box an. Verbinden Sie das Netzkabel mit einer Netzsteckdose.
3. Hinweis: Achten Sie immer darauf, dass die Netzsteckdose die Spannung liefert, die auf dem rückseitigen Bedienfeld der Auro angegeben ist.

Betrieb

1. Stellen Sie den Netzschalter auf ON ein.
2. Speisen Sie ein Audiosignal über Ihren Mixer ein oder sprechen Sie ins Mikrofon.
3. Drehen Sie den Pegelregler der Auro langsam auf, bis die gewünschte Lautstärke erreicht ist.
4. Wenn die Boxen sehr laut sind oder deren Peak-Anzeige häufig blinkt, drehen Sie den Pegelregler der Auro D208/D210 etwas zurück, bis die Peak-Anzeige nicht mehr oder nur noch bei Signalspitzen aufleuchtet.

Rückseite

1. XLR-Eingang

Diese XLR-Buchse akzeptiert ein symmetrisches Signal mit Mikrofon- oder Line-Pegel.

2. 6,35 mm Eingang

Diese 6,35 mm-Buchse akzeptiert symmetrische Mikrofonsignale oder symmetrische und unsymmetrische Line-Pegel-Signale.

3. Line-Ausgang

Über diesen XLR-Stecker lassen sich mehrere Auro-Boxen koppeln.

4. Pegelregler

Damit stellen Sie den Gesamtsignalpegel am Eingang der Endstufen ein. Um ein Line-Pegel-Signal zu verstärken, drehen Sie den Regler von ganz links in Richtung 12 Uhr. Bei einem Signal mit Mikrofonpegel drehen Sie den Regler über 12 Uhr hinaus.

5. Bass EQ-Regler

Steuert das tiefe Band des EQ, +/- 15 dB bei 80 Hz.

6. Treble EQ-Regler

Steuert das hohe Band des EQ, +/- 15 dB bei 12 kHz.

7. Peak-Anzeige

Diese ROTE LED leuchtet, wenn sich der Verstärker der Clipping-Grenze nähert. Wenn die Peak-Anzeige häufig leuchtet, drehen Sie den Pegelregler an der Auro-Box oder das Signal an der Quelle so weit zurück, bis die Anzeige nicht mehr oder nur gelegentlich bei Signalspitzen leuchtet.

8. Netzanzeige

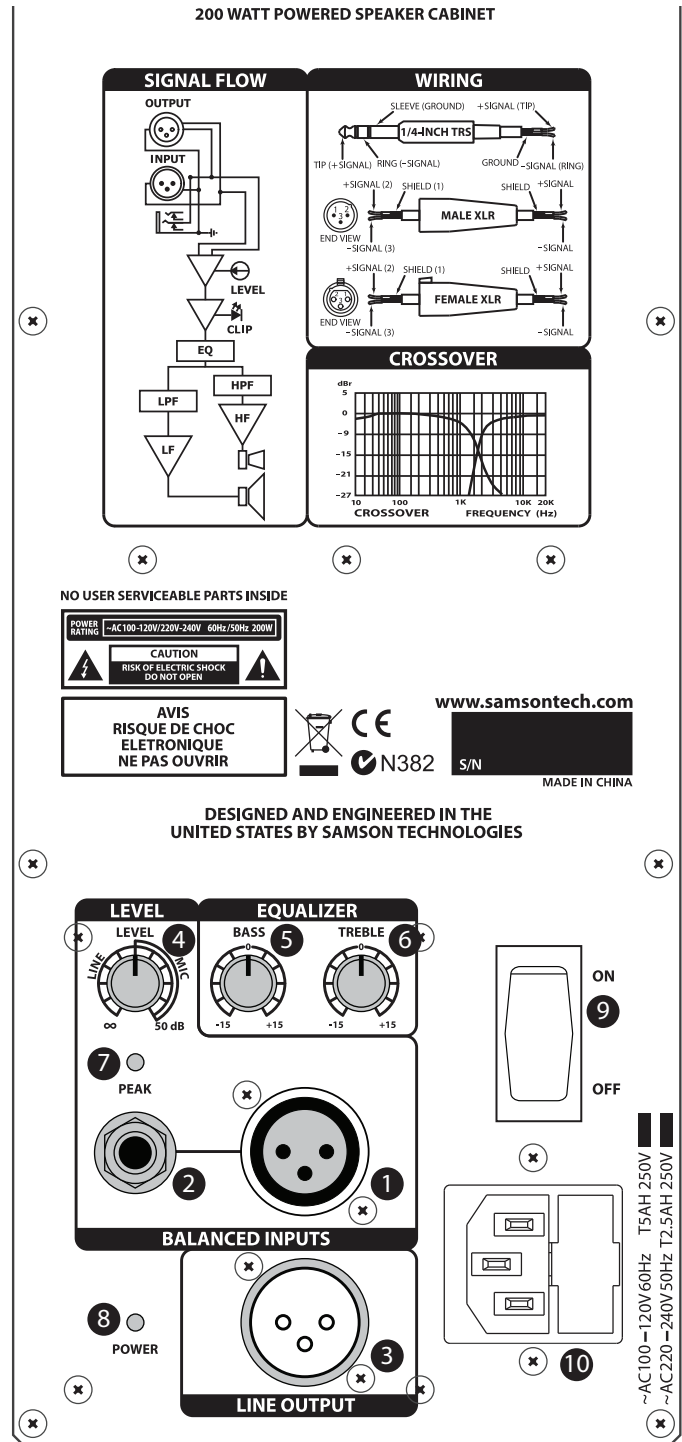
Diese LED leuchtet GRÜN bei aktiviertem Verstärker.

9. Netzschalter

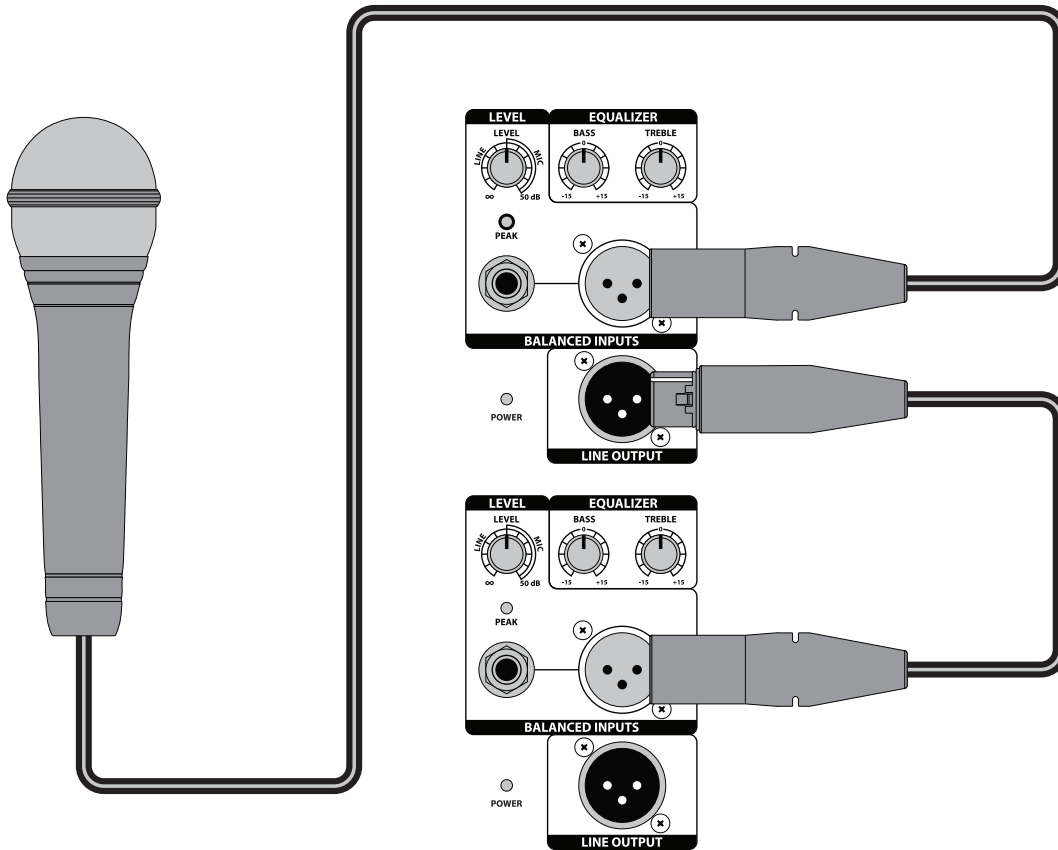
Schaltet die Auro ein.

10. Netzeingang

Schließen Sie hier das mitgelieferte standard IEC-Netzka-
bel an.



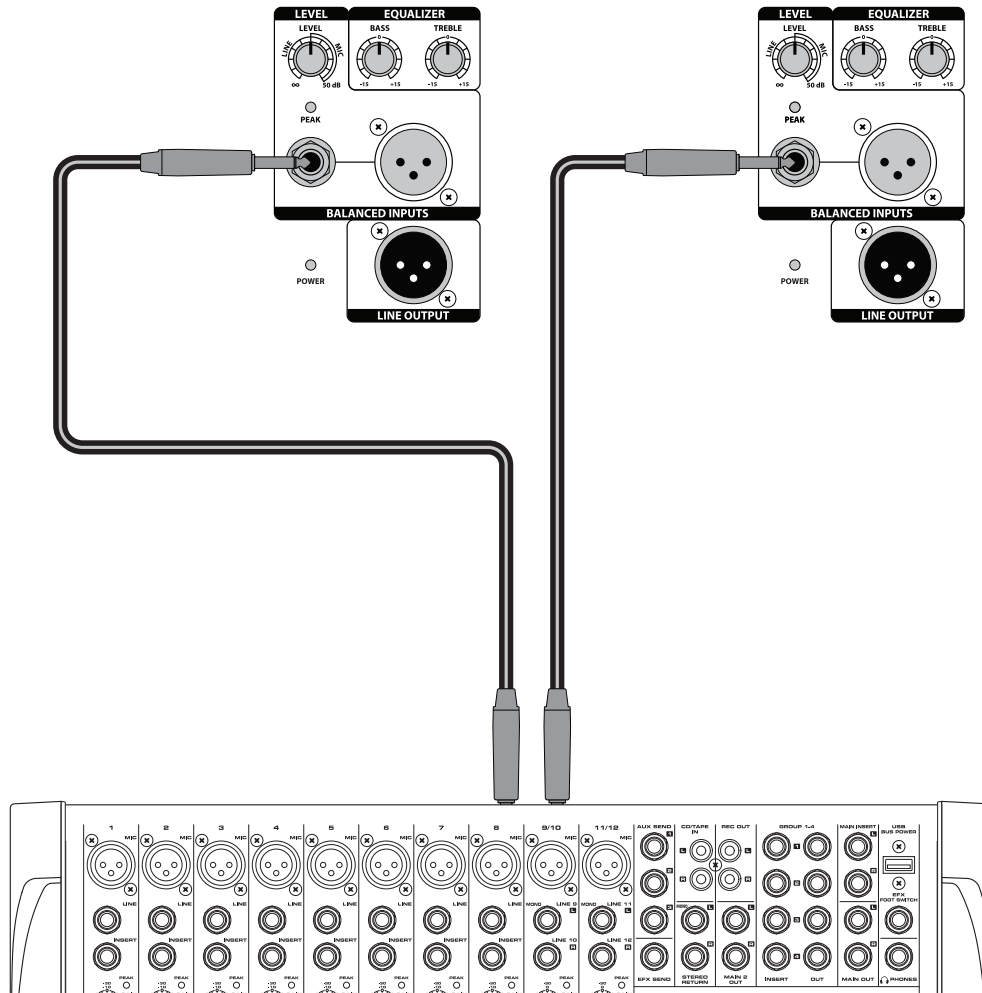
Mikrofon anschließen



Mikrofon verwenden

- Achten Sie darauf, dass der Auro D208/D210 Netzschalter auf Off steht.
- Drehen Sie den Pegelregler (LEVEL) ganz nach links auf Off.
- Verbinden Sie das Netzkabel mit einer Netzsteckdose.
- Schließen Sie ein Mikrofon über ein standard XLR-Kabel an den XLR-Eingang der Auro an.
- Stellen Sie den Netzschalter auf ON.
- Sprechen oder singen Sie ins Mikrofon und drehen Sie den Pegelregler langsam auf, bis die gewünschte Lautstärke erreicht ist.
- Für größere Beschallungsaufgaben können Sie mehrere Boxen betreiben, indem Sie mehrere Auros über die Line-Ausgänge miteinander verketteten.

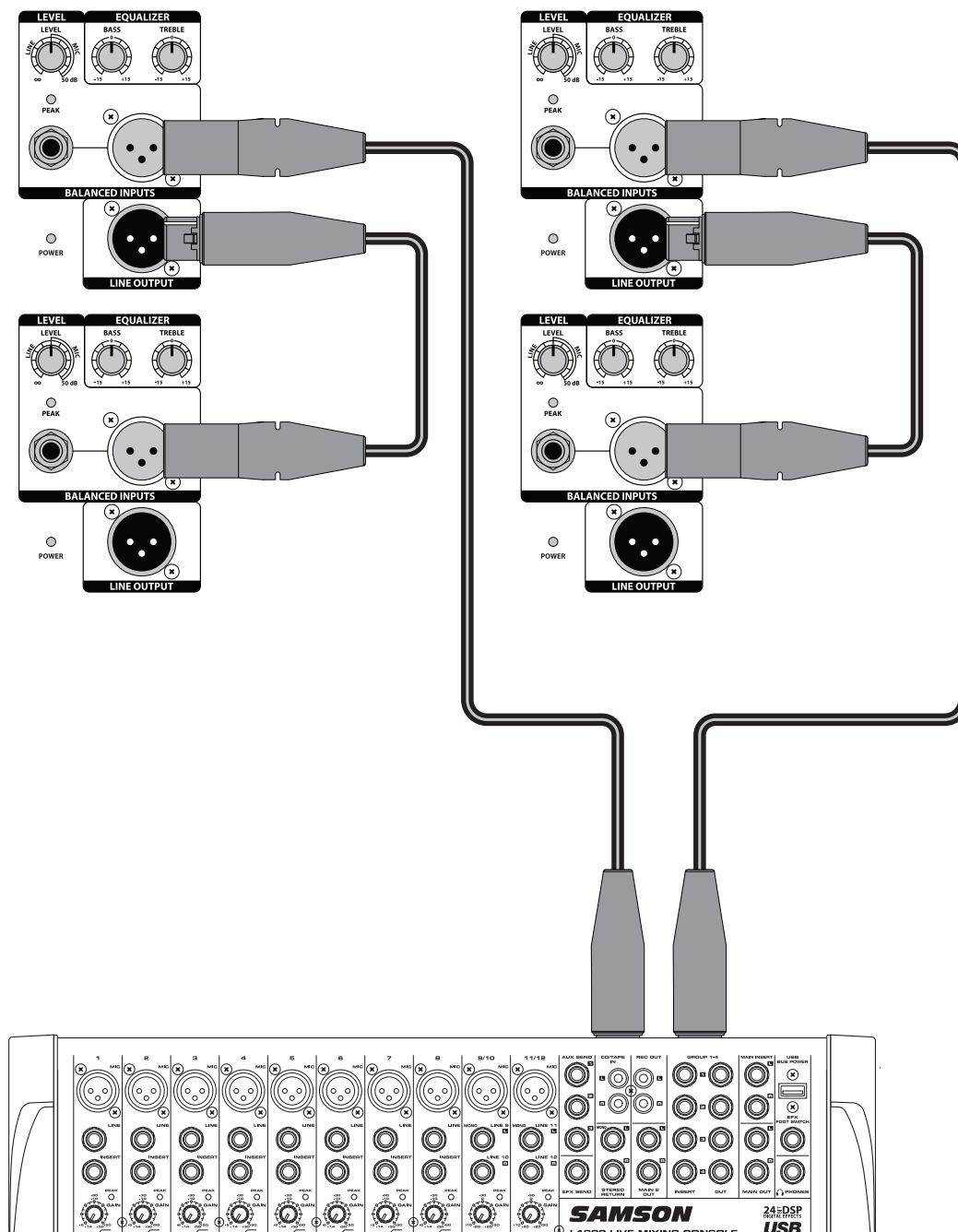
Stereo-Signalquelle anschließen



Stereosignal mit Line-Pegel verwenden

- Achten Sie darauf, dass der Auro D208/D210 Netzschalter auf Off steht.
- Drehen Sie den Pegelregler (LEVEL) ganz nach links auf Off.
- Verbinden Sie das Netzkabel mit einer Netzsteckdose.
- Schließen Sie die Line-Pegel-Signale eines Mixers oder Keyboards über standard XLR- oder 6,35 mm-Kabel an die Auro-Eingänge an.
- Stellen Sie den Netzschalter auf ON.
- Speisen Sie jetzt ein Audiosignal vom Mixer ein (z. B. Musik von CD) und drehen Sie den Auro-Pegelregler langsam auf, bis die gewünschte Lautstärke erreicht ist.

Zwei Boxen pro Seite koppeln



Zwei Auro-Boxen pro Seite koppeln:

- Drehen Sie den Pegelregler (LEVEL) ganz nach links auf Off.
- Verbinden Sie den linken und rechten Line-Pegel-Ausgang eines Mixers mit den Eingängen von zwei Auro-Boxen.
- Speisen Sie die Line-Ausgänge der D208/D210 in ein weiteres Paar von Auro-Boxeneingängen ein.
- Speisen Sie jetzt ein Audiosignal vom Mixer ein (z. B. Musik von CD) und drehen Sie den Auro-Pegelregler langsam auf, bis die gewünschte Lautstärke erreicht ist.

Auro D208/D210 positionieren

Boxenplatzierung

Man sollte die Boxen möglichst immer über den Köpfen der Zuhörer platzieren. Die Auro-Gehäuse verfügen über standard 1 3/8" Ständerhalterungen, die zu Boxenständern verschiedenster Hersteller kompatibel sind. In einem kleineren Setup, z. B. Schulcafeteria, Bibliothek oder Kiosk, kann man die Auro-Boxen auch in einer der zurückgekippten Monitorpositionen betreiben, die die Abstrahlung der Boxen verbessern und Ständer eventuell überflüssig machen.

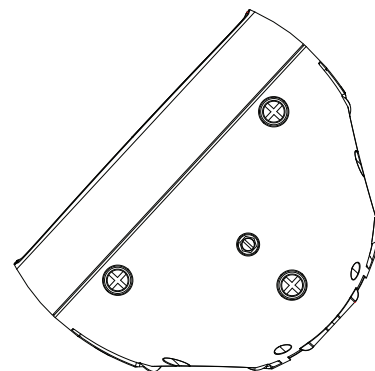
Hinweis: Die verwendeten Ständer müssen das Gewicht der Auro-Boxen sicher tragen können.

Hinweis: Bitten Sie immer jemanden um Hilfe, wenn Sie die Auro-Box auf einen Ständer montieren oder den Ständer bei montierter Box neu einstellen.



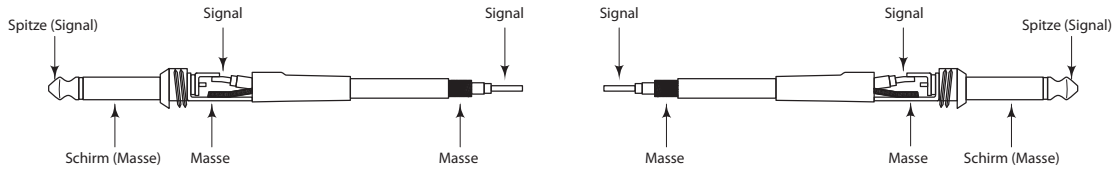
Auro D208/D210 als Bodenmonitor betreiben

Die Auro D208/D210 ist die ideale Lösung für das Bühnenmonitoring, da sie dank ihrer neuartigen Konstruktion auf die Seite gelegt und als Bodenmonitor benutzt werden kann. Der Monitorwinkel der Auro D208 beträgt 35° und der Monitorwinkel der Auro D210 beträgt 45°.

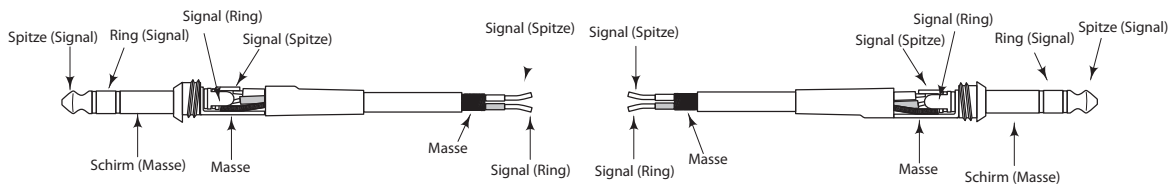


Da die Auro D208/D210 über symmetrische Ein- und Ausgänge verfügt, kann man symmetrische und unsymmetrische Signale anschließen. Verwenden Sie möglichst immer symmetrische Verbindungen zu anderen Geräten, um Störungen zu unterdrücken.

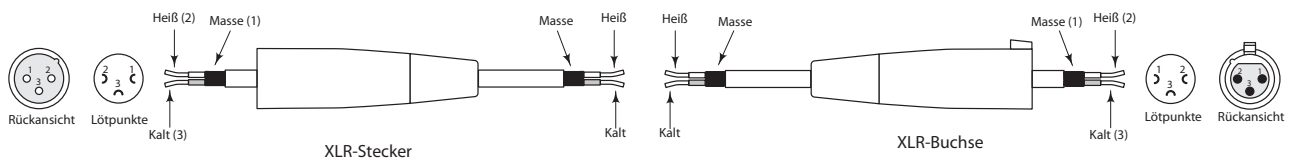
unsymmetrischer 6,35 mm Anschluss



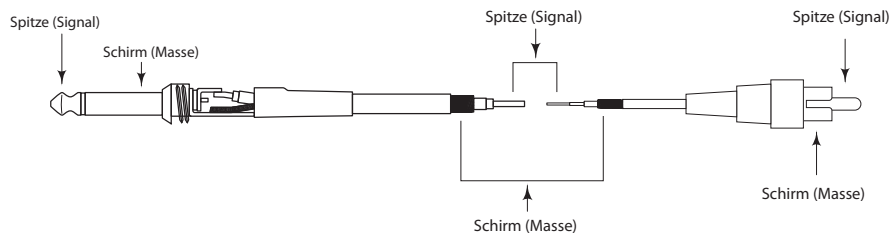
symmetrischer 6,35 mm TRS-Anschluss



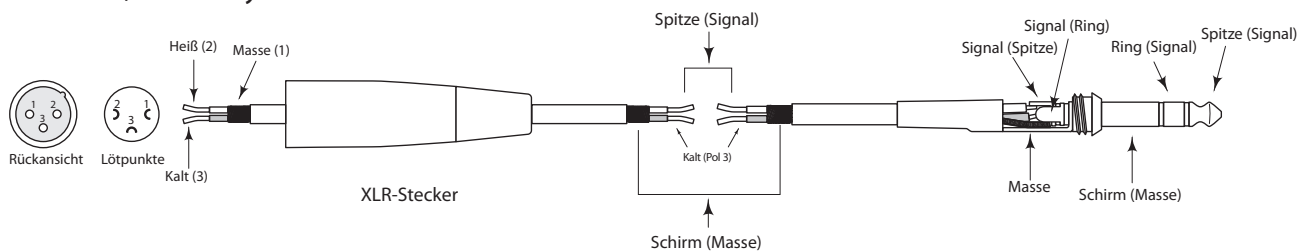
XLR auf XLR symmetrisch



unsymmetrischer 6,35 mm Anschluss auf Cinch



XLR auf 6,35 mm symmetrisch

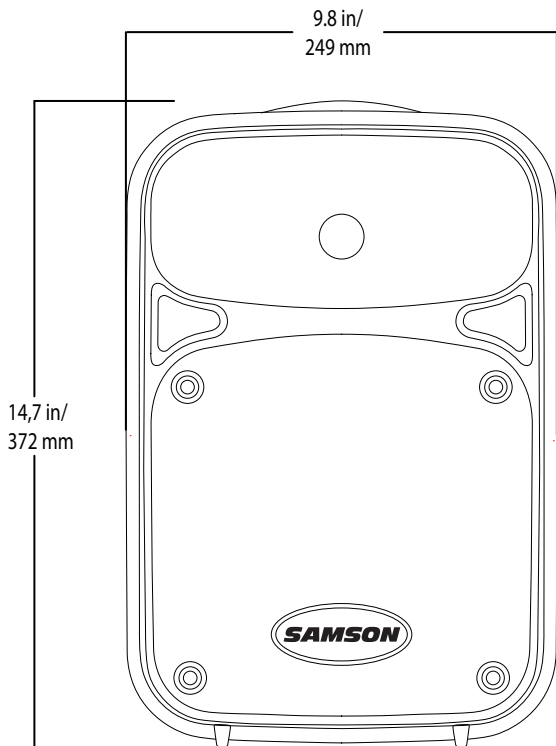
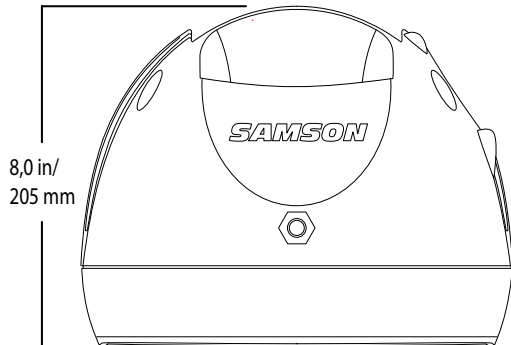


Technische Daten

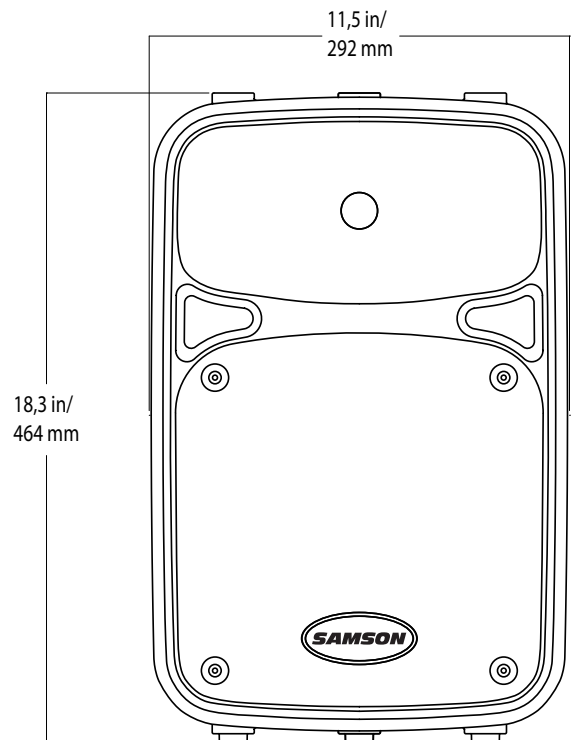
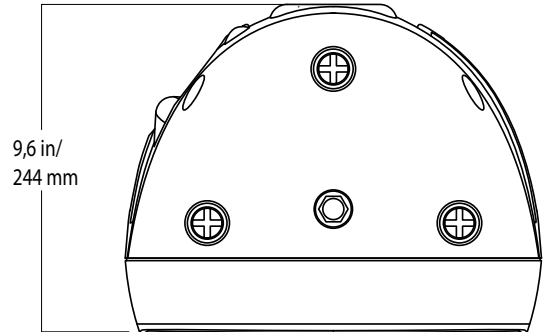
		D208	D210
Ausgangsleistung			
Bässe	Dauer	135 W @ 8 Ohm	
	Spitze	160 W @ 8 Ohm	
	Klirrfaktor	< 1 %	
Höhen	Dauer	20 W @ 8 Ohm	
	Spitze	40 W @ 8 Ohm	
	Klirrfaktor	< 1 %	
Wandler			
Bässe	8" Basswandler		10" Basswandler
Höhen	1" (25 mm) Höhentreiber		
Akustische Leistung			
Frequenzgang (-3 dB)		64 Hz bis 20 kHz	60 Hz bis 20 kHz
Max. Schalldruck		113 dB SPL @ 1	113 dB SPL @ 1 m
Limiter		optisch	
Horizontaler Abstrahlwinkel		90°	
Vertikaler Abstrahlwinkel		60°	
Elektronisches Crossover			
Crossover-Typ		24 dB/Okt. Linkwitz-Riley	
Crossover-Frequenz		2,1 kHz	
Eingang/Ausgang			
Eingänge		symmetrische XLR & 6,35 mm Mic/Line-Anschlüsse	
Ausgänge		symmetrischer XLR Line-Ausgang	
Equalizer			
Höhen		±15 dB @ 12 kHz, Shelving	
Bässe		±15 dB @ 80 Hz, Shelving	
Spannungsversorgung			
Leistungsaufnahme		300 W max.	
Netzanschluss		3-Pol IEC 250 VAC, 20 A Stecker	
Sicherung		100 - 115 VAC T5AL / 250 V	
		220 - 240 VAC T2,5AL / 250 V	
Abmessungen und Gewicht			
Abmessungen	Zoll	9,8" L x 8,0" B x 14,7" H	11,5" L x 9,6" B x 18,3" H
	mm	249 mm L x 205 mm B x 372 mm H	292 mm L x 244 mm B x 464 mm H
Gewicht	lbs	14,7	18,8
	kg	6,66	8,52
Montage			
Montageverfahren		Integrierte 1 3/8" Ständerhalterung	
Aufhängepunkte		1	

Technische Daten können unangekündigt geändert werden.

D208



D210



ENGLISH

FRANÇAIS

DEUTSCHE

ESPAÑOL

ITALIANO

Índice

Introducción 41

Características del Auro D208/D210. 42

Puesta en marcha 43

Panel trasero 44

Conexión de un micrófono 45

Conexión de una fuente de señal stereo. 46

Enlace de dos recintos por lado 47

Colocación del Auro D208/D210. 48

Conexiones 49

Especificaciones técnicas 50

Dimensiones 51

Felicidades y gracias por la compra de estos recintos acústicos profesionales autoamplificados Samson Auro. Los Auro D208 y D210 son recintos acústicos compactos y potentes que le ofrecen 200 vatios de potencia biamplificada interna. El Auro D208 y D210, respectivamente, dispone de un woofer de alto rendimiento y largo recorrido de excursión de 8" y 10", así como cabezales de agudos de 1" con trompetas de gran dispersión con un cuello de 1". Estos recintos le ofrecen conectores XLR y de 6,3 mm capaces de admitir tanto entradas de nivel de micro como de línea. La salida de línea XLR le permite conectar en cadena varios recintos Auro juntos para crear sistemas de refuerzo de sonido aun más potentes.

Para una mayor protección de los altavoces, los Auro D208 y D210 disponen de un doble limitador óptico que hacen que sus altavoces suenen a la perfección en cualquier momento, y el ecualizador integrado de dos bandas le permite modelar la mezcla hasta conseguir el sonido deseado. Este recinto ha sido diseñado con un formato que le permite usarlo tanto como caja para usos FOH o como monitor de escenario tipo cuña. Además, el Auro D208 y D210 pueden ser fácilmente montados sobre un soporte de barra gracias al casquillo integrado de 1 3/8".

La robusta carcasa de cada uno de estos recintos Auro está fabricada en polipropileno de gran resistencia a los golpes y con un acabado exterior realmente duro, e incluyen una parrilla de acero de gran robustez, lo que le ofrece una protección total contra el desgaste y el uso, para convertirlos en unidades audio totalmente portátiles y listas para las giras. Los monitores activos Auro son perfectos para música en directo, DJ, conferencias y aplicaciones de sonido fijas, o en cualquier otro lugar en la que necesite verdadera potencia y calidad de sonido.

En estas páginas encontrará una descripción detallada de las características del sistema PA Auro, así como una descripción de su panel frontal y posterior, instrucciones paso-a-paso para su configuración y manejo y una completa tabla de especificaciones técnicas. También encontrará una tarjeta de garantía—no se olvide de cumplimentarla y devolvémosla por correo para que pueda recibir soporte técnico online y para que podamos enviarle información actualizada acerca de este y otros productos Samson en el futuro. Además, consulte nuestra página web (www.samsontech.com) para ver la información de toda nuestra gama de productos.

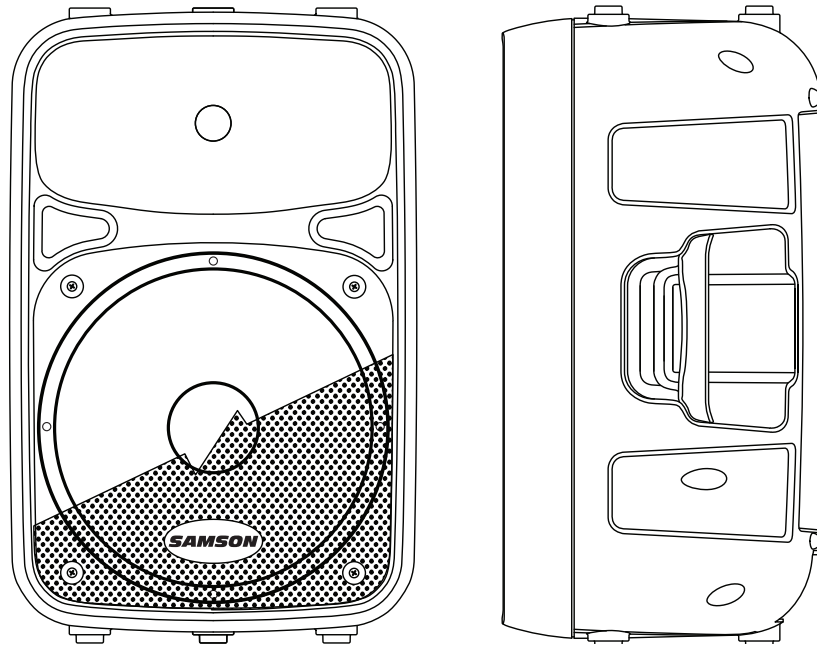
Con unos cuidados mínimos y una correcta refrigeración, su recinto Auro funcionará sin darle ningún problema durante años. Para cualquier referencia futura, le recomendamos que apunte aquí abajo el número de serie.

Número de serie: _____

Fecha de compra: _____

En el improbable caso de que este aparato deba ser reparado en algún momento, deberá conseguir un número de Autorización de devolución (RA) antes de enviar este aparato a Samson. Sin este número, ninguna unidad será aceptada. Póngase en contacto con Samson en el teléfono 1-800-3SAMSON (1-800-372-6766) para solicitar su número de Autorización de devolución antes de devolvernos su unidad. Conserve el embalaje original y las protecciones y, si es posible, devuélvanos la unidad en ellos. Si adquirió este producto Samson fuera de los Estados Unidos, póngase en contacto con su distribuidor local para que le facilite los detalles acerca de la garantía y reparaciones.

Características del Auro D208/D210



Estas son algunas de las características principales de los recintos acústicos autoamplificados Auro:

- Recintos acústicos activos de 2 vías y 200 watios para aplicaciones de sonido directo
- Etapas de potencia de 150 W en graves + 50 W agudos (picos)
- Respuesta de frecuencia plana y súper ancha
- Cabezales de graves de gran proyección y alto rendimiento de 8"/10" de diseño exclusivo para ofrecerle una respuesta mejorada en las bajas frecuencias
- Cabezal de agudos de 1" con garganta de 1" para una reproducción totalmente suave de los súper agudos
- Entrada balanceada de micro/línea con control de volumen y piloto de picos
- Ecualizador de dos bandas con estantería de graves y agudos
- Conectores de salida de línea XLR que le permiten conectar en cadena varios recintos Auro
- Procesado dinámico multibandas con limitación totalmente transparente
- Crossover interno electrónico de 24 dB/octava con alineación de tiempo
- Posibilidad de colocación como monitor en cuña con un ángulo de 35° para el D208 y de 45° para el D210
- Casquillo para barras de soporte de altavoz standard de 1 3/8" (35 mm)
- Diseño versátil y manejable con asas laterales integradas
- Diseño de tobera reflex de graves, afinada para unos súper graves mejorados
- Recinto fabricado en polipropileno, de gran resistencia y ligereza

Puesta en marcha

Los pasos siguientes le ayudarán a la hora de configurar y poner en marcha sus recintos Auro D208/D210.

Configuración

1. Gire el control de nivel (Level) del panel trasero a su tope izquierdo (mínimo).
2. Ajuste los controles de EQ Bass y Treble a la posición de las "12 en punto".
3. Apague la unidad (asegúrese de que el interruptor de encendido esté en la posición OFF).

Conexiones

1. Conecte una señal de nivel de línea procedente de su mezclador (u otra fuente) o un micrófono a la toma Input del panel trasero del Auro D208/D210.
2. Conecte el cable de alimentación incluido a la toma IEC de la parte trasera del recinto. Conecte el otro extremo a una salida de corriente alterna.
3. Nota: Asegúrese siempre de que la salida de corriente alterna sea del voltaje y amperaje que aparecen indicados en el panel trasero de su recinto Auro.

Funcionamiento

1. Coloque el interruptor de encendido (Power) de su recinto Auro en la posición ON.
2. Haga pasar una señal audio desde su mesa de mezclas, o hable o cante en el micrófono.
3. Suba lentamente la posición del control Level del Auro hasta que consiga el nivel de escucha que quiera.
4. Si el volumen emitido por sus altavoces es demasiado potente, o si observa que el indicador Peak parpadea con demasiada frecuencia, reduzca un poco la posición del control Level del Auro D208/D210 hasta que el piloto deje de iluminarse o hasta que solo lo haga de forma puntual en los picos de señal.

Panel trasero

1. Conector de entrada XLR

Esta toma XLR hembra acepta una señal de nivel de línea o de micro balanceada.

2. Conector de entrada de 6,3 mm

Use esta entrada de 6,3 mm para la conexión de entrada de nivel de micro balanceadas o de nivel de línea tanto balanceadas como no balanceadas.

3. Salida de línea

Conector XLR macho que le permite enlazar varios recintos acústicos Auro.

4. Control Level

Este control le permite ajustar el nivel de señal global en la entrada de las etapas de potencia. Si quiere atenuar una señal de nivel de línea, gire el control desde su tope izquierdo hasta la posición de las "12 en punto". Para una señal de nivel de micro, llévelo más allá de la posición de las "12 en punto".

5. Control EQ Bass

Esto controla la banda de graves del recinto acústico en un rango de +/- 15 dB a 80 Hz.

6. Control EQ Treble

Esto controla la banda de agudos del recinto acústico en un rango de +/- 15 dB a 12 kHz.

7. Indicador Peak

Este piloto ROJO se ilumina cuando el amplificador está cerca del punto de saturación. Si este piloto se ilumina con frecuencia, baje el control Level de su recinto Auro o baje el nivel de la señal en la fuente hasta que el piloto ya no se encienda o lo haga solamente de forma puntual en los picos de señal.

8. Indicador de encendido

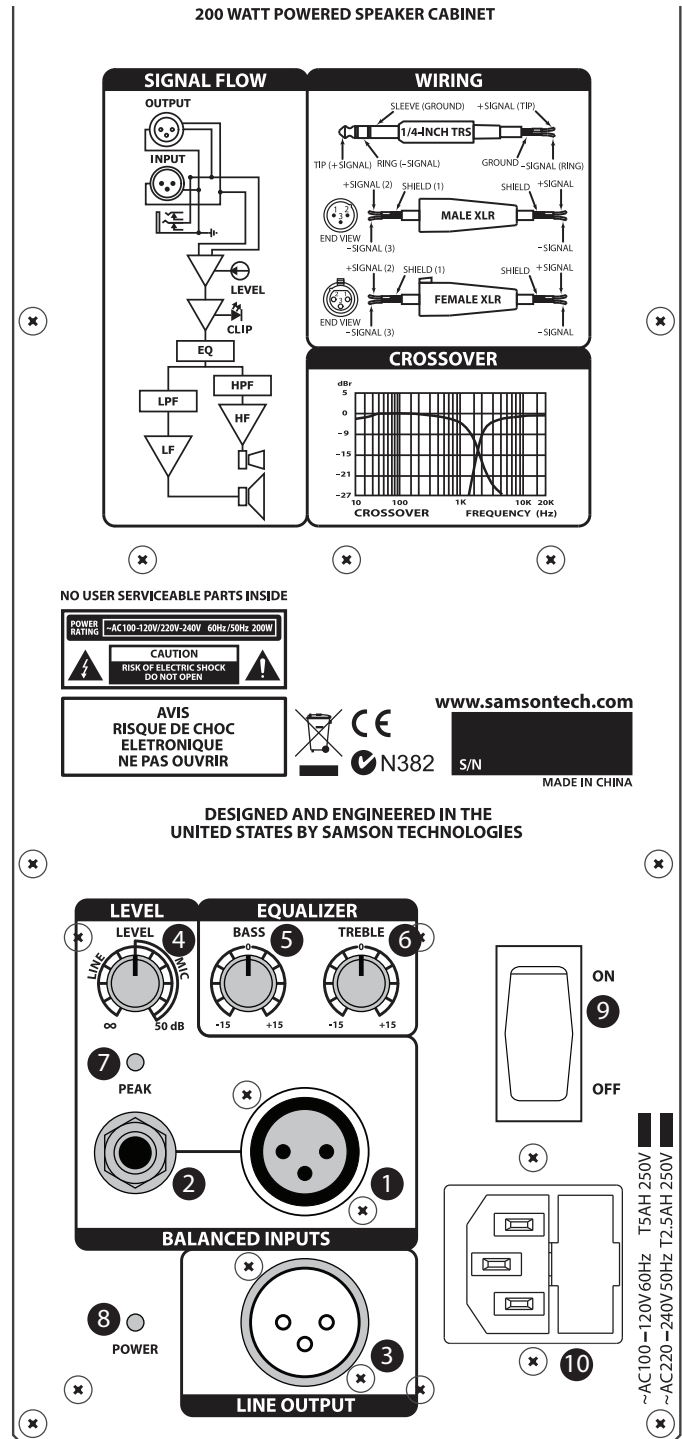
Este piloto se ilumina en VERDE cuando la unidad esté encendida.

9. Interruptor Power

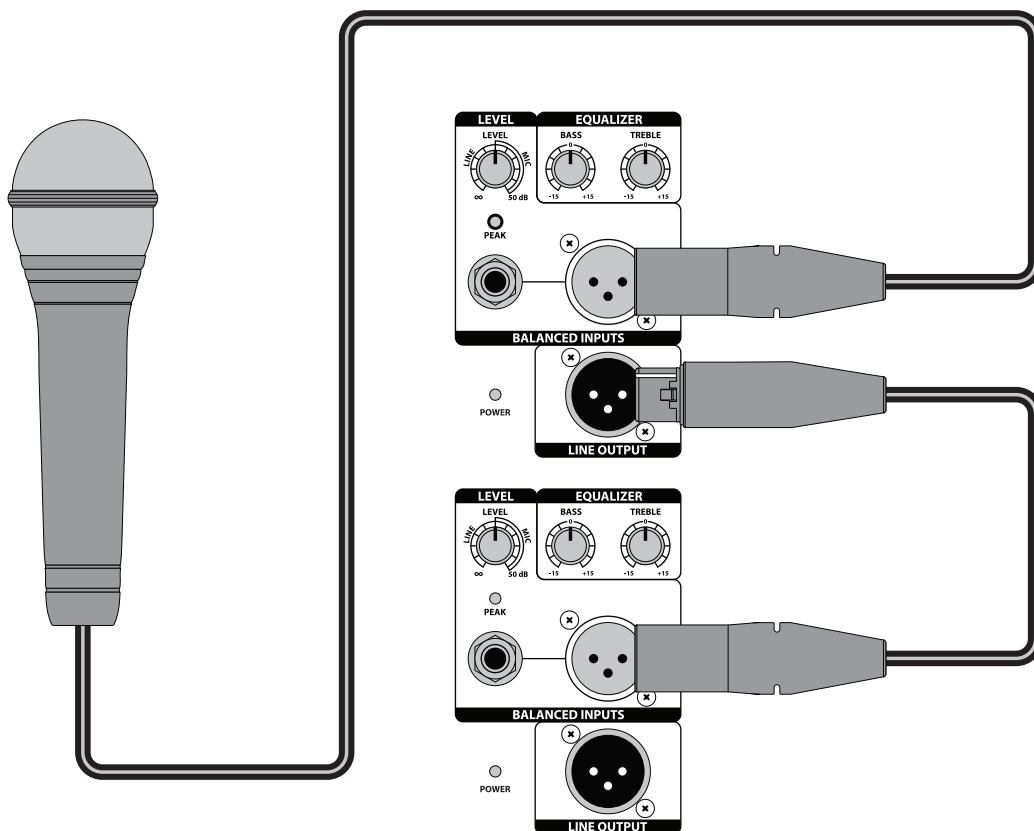
Le permite encender o apagar el Auro.

10. Entrada de corriente

Conecte aquí el cable de alimentación IEC standard incluido.



Conexión de un micrófono



Uso de un micrófono

- Asegúrese de que el interruptor de encendido del Auro D208/D210 esté en la posición OFF.
- Coloque el control LEVEL al mínimo (tope izquierdo).
- Conecte el cable de alimentación en la entrada de corriente del recinto y en una salida de corriente alterna.
- Usando un cable XLR standard, conecte un micrófono en la toma INPUT XLR del Auro.
- Coloque el interruptor de encendido en la posición ON.
- Mientras habla o canta en el micrófono, suba lentamente la posición del mando LEVEL hasta que consiga el nivel deseado.
- Para sistemas de refuerzo de sonido mayores, puede conectar juntos varios monitores usando la salida de línea para conectar en cadena un recinto Auro con otro.

ENGLISH

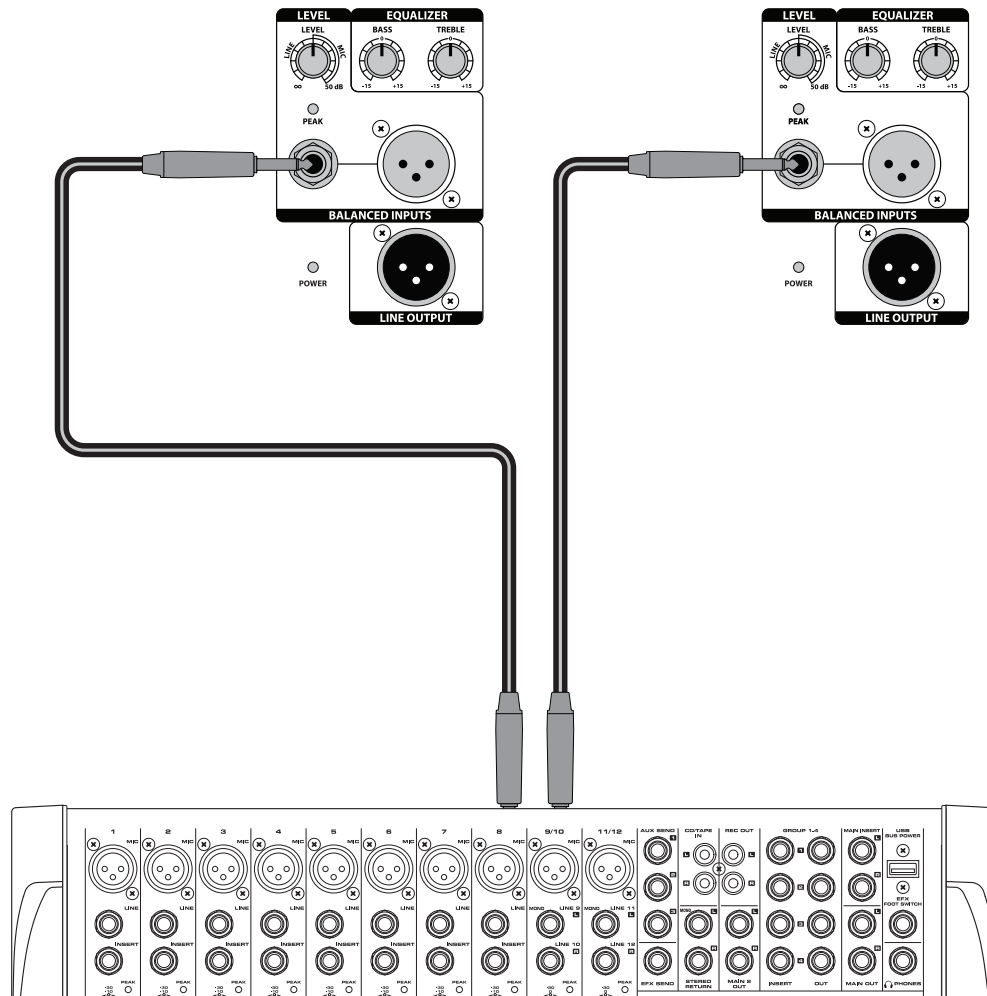
FRANÇAIS

DEUTSCHE

ESPAÑOL

ITALIANO

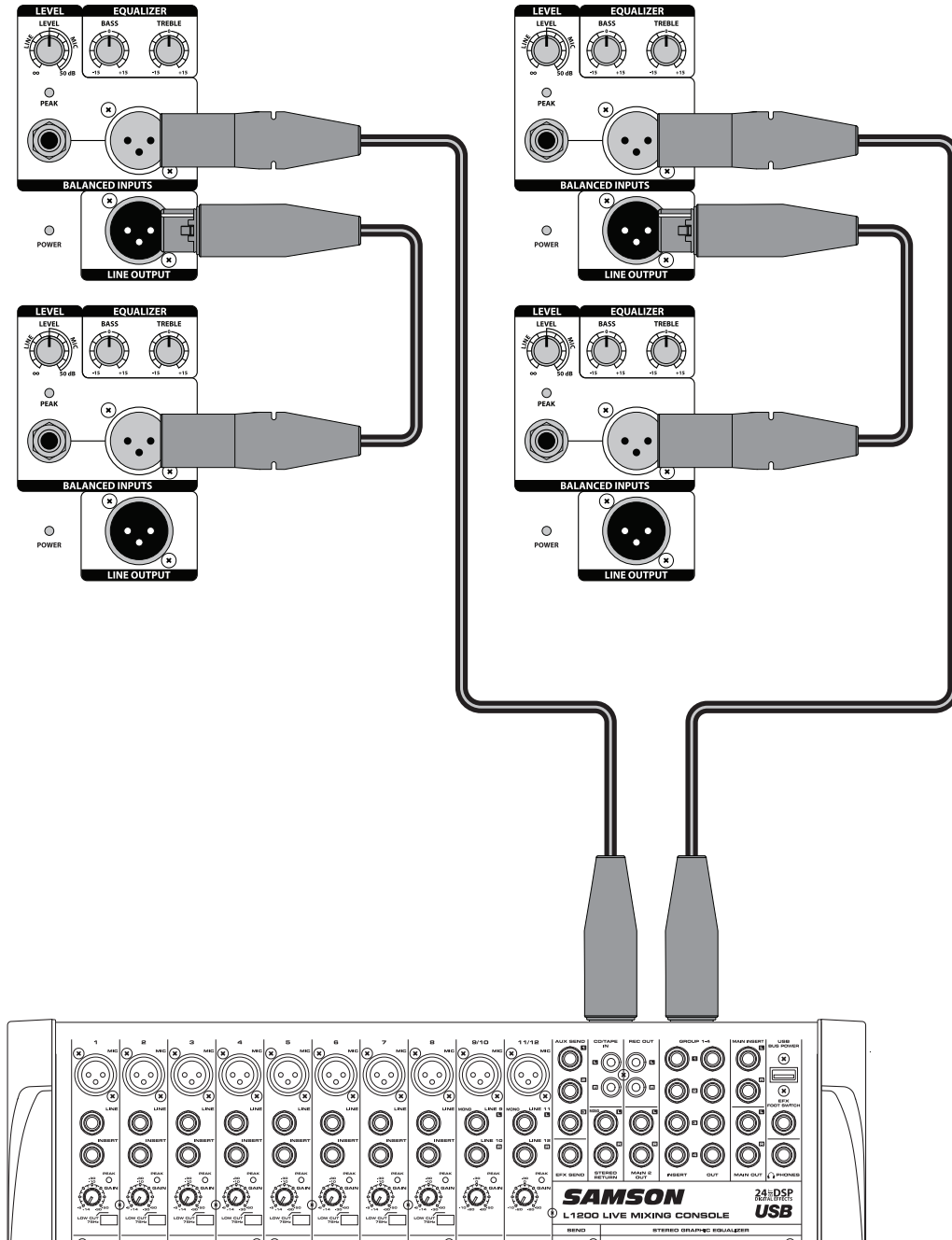
Conexión de una fuente de señal stereo



Uso de una señal de nivel de línea stereo

- Asegúrese de que el interruptor de encendido del Auro D208/D210 esté en la posición OFF.
- Coloque el control LEVEL al mínimo (tope izquierdo).
- Conecte el cable de alimentación en la entrada de corriente del recinto y en una salida de corriente alterna.
- Usando cables con conectores standard XLR o de 6,3 mm, conecte las señales de nivel de línea procedentes de su mezclador o teclado a las entradas del Auro.
- Coloque el interruptor de encendido en la posición ON.
- Ahora, haga pasar una señal audio desde su mezclador (como la de un CD de música, por ejemplo) mientras gira lentamente hacia la derecha el control Level del Auro hasta que consiga el nivel de escucha que quiera.

Enlace de dos recintos por lado



Enlace de dos recintos Auro por lado:

- Coloque el control LEVEL en su posición mínima (tope izquierdo).
- Conecte las salidas de nivel de línea izquierda y derecha de su mezclador en las entradas de dos recintos Auro.
- Conecte las salidas de línea de estos recintos a las entradas de otro par de recintos Auro.
- Ahora, haga pasar una señal audio desde su mezclador (como la de un CD de música, por ejemplo) mientras gira lentamente hacia la derecha el control Level del Auro hasta que consiga el nivel de escucha que quiera.

Colocación del Auro D208/D210

Colocación del recinto acústico

Siempre que sea posible, resulta una buena idea colocar los altavoces a una altura superior a la de las cabezas del público. Los recintos acústicos Auro disponen de casquillos standard de 1 3/8" para colocación en barra con tuercas de fijación, compatibles con gran cantidad de soportes de altavoz del mercado. En entornos más reducidos (bares, bibliotecas, kioskos) puede colocar también los Auro en el suelo, inclinados en cuña, lo que mejorará la proyección de los altavoces y eliminará la necesidad de soportes.

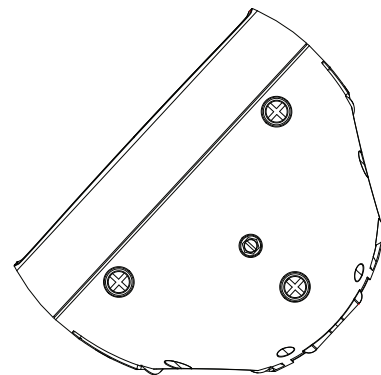
Nota: Cuando instale los altavoces en barra, asegúrese que sea capaz de soportar el peso de los recintos Auro.

Nota: Haga siempre que otra persona le ayude cuando coloque los recintos Auro sobre un soporte de altavoces o cuando ajuste el soporte con el altavoz ya instalado en él.



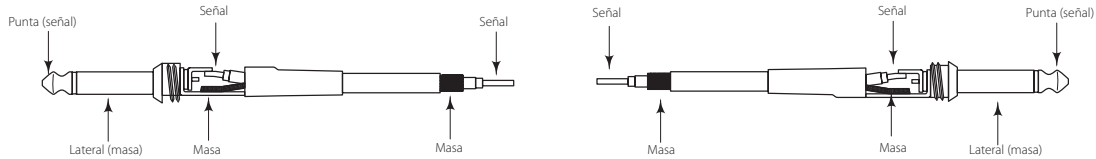
Uso del Auro D208/D210 como un monitor de suelo

El Auro D208/D210 es la solución perfecta para monitorización de escenario y, gracias a su exclusivo diseño, puede colocarlo de lado para usarlo como monitor de cuña. El Auro D208 le permite colocarlo como un monitor con un ángulo de 35° y el Auro D210 con un ángulo de 45°.

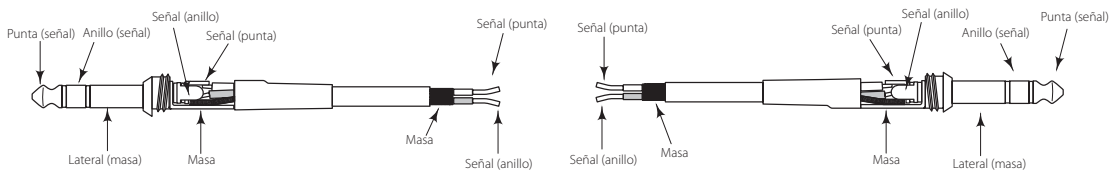


Los recintos acústicos Auro D208/D210 disponen de entradas y salidas balanceadas, por lo que puede usarlos con señales tanto balanceadas como no balanceadas. Siempre que sea posible, use conexiones balanceadas para evitar posibles interferencias con el resto de equipos.

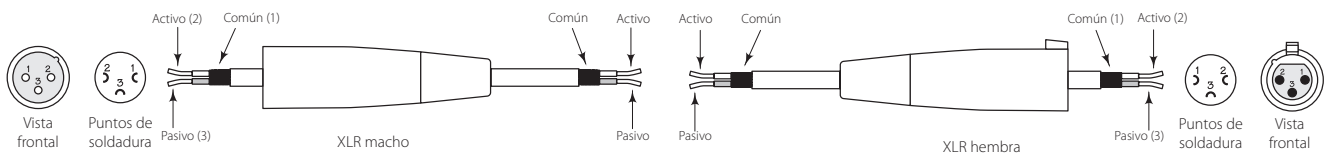
Conector 6,3 mm no balanceado



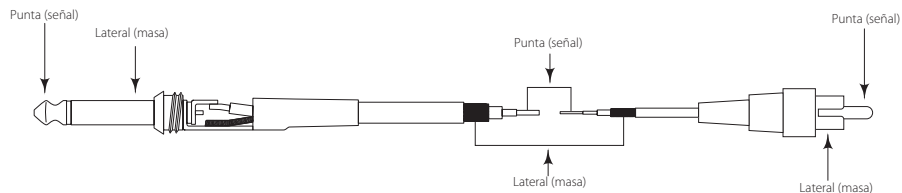
Conector TRS 6,3 mm balanceado



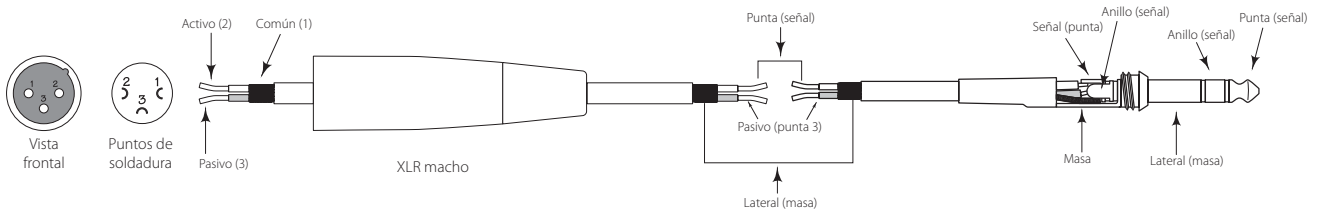
XLR a XLR balanceado



Conector de 6,3 mm no balanceado a RCA



XLR a 6,3 mm balanceado



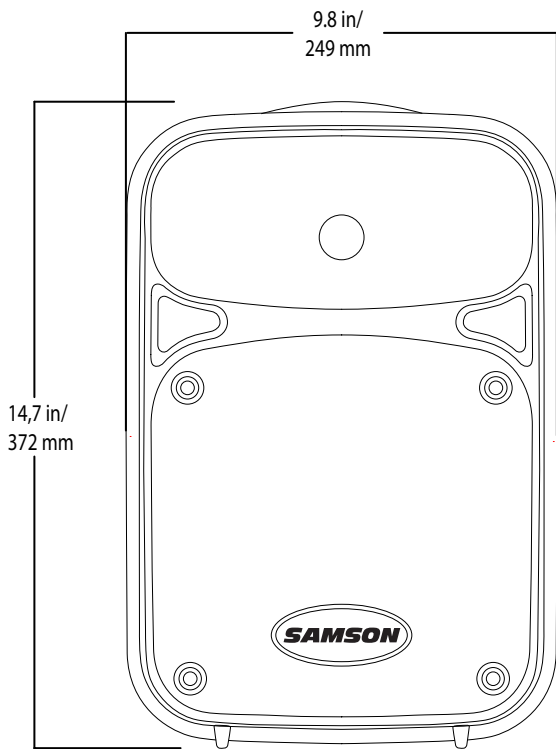
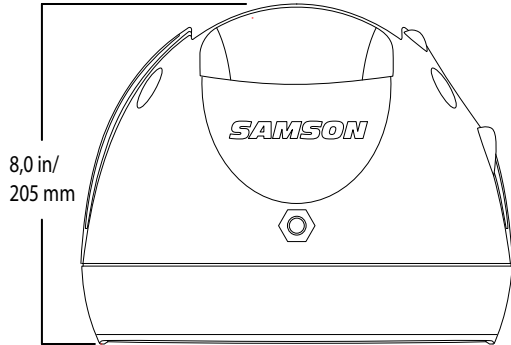
ENGLISH
FRANÇAIS
DEUTSCHE
ESPAÑOL
ITALIANO

Especificaciones técnicas

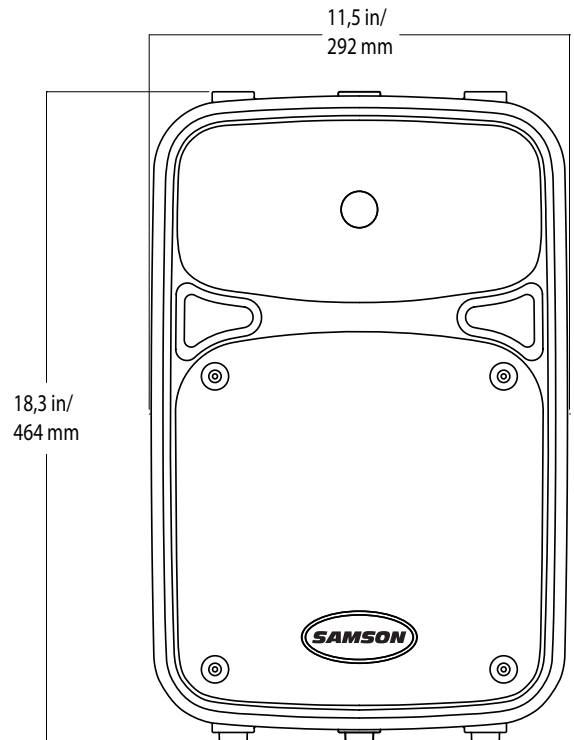
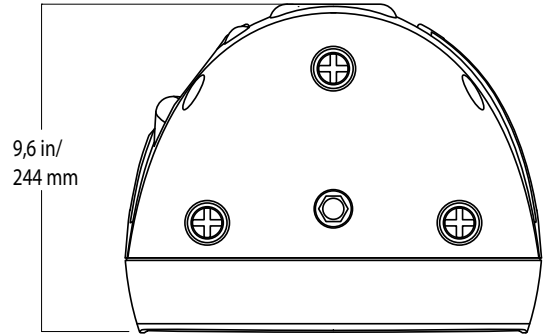
		D208	D210
Potencia de salida			
Bajas frecuencias	Potencia RMS	135 W @ 8 ohmios	
	Potencia picos	160 W @ 8 ohmios	
	THD	< 1 %	
Altas frecuencias	Potencia RMS	20 W @ 8 ohmios	
	Potencia picos	40 W @ 8 ohmios	
	THD	< 1 %	
Transductores			
Bajas frecuencias	Transductor de graves de 8"		Transductor de graves de 10"
Altas frecuencias	Cabezal de agudos de 1" (25 mm)		
Rendimiento acústico			
Respuesta de frecuencia (-3 dB)	64 Hz a 20 kHz		60 Hz a 20 kHz
Nivel máximo presión sonora	113 dB SPL @ 1 m		113 dB SPL @ 1 m
Limitador	Óptico		
Ángulo cobertura horizontal	90°		
Ángulo cobertura vertical	60°		
Crossover electrónico			
Tipo de crossover	24 dB/octava Linkwitz-Riley		
Frecuencia de crossover	2.1 kHz		
Entrada/salida			
Entradas	Conectores micro/línea XLR y 6,3 mm balanceados		
Salida	Salida de línea XLR balanceada		
Ecualización			
Agudos	±15 dB @ 12 kHz, estantería		
Graves	±15 dB @ 80 Hz, estantería		
Alimentación			
Consumo	300 W máximo		
Conector de corriente	IEC de 3 puntas 250 V CA, 20 A, macho		
Fusible	100 - 115 V CA T5AL / 250 V		
	220 - 240 V CA T2.5AL / 250 V		
Dimensiones y peso			
Dimensiones	in	9.8" L x 8.0" P x 14.7" A	11.5" L x 9.6" P x 18.3" A
	mm	249 mm L x 205 mm P x 372 mm A	292 mm L x 244 mm P x 464 mm A
Peso	lbs	14.7	18.8
	kg	6.66	8.52
Sistema de montaje			
Método de montaje	Casquillo para montaje en barra de 1 3/8"		
Puntos de anclaje suspendido	1		

Estas especificaciones están sujetas a cambios sin previo aviso.

D208



D210



ENGLISH

FRANÇAIS

DEUTSCHE

ESPAÑOL

ITALIANO

Indice

Introduzione53
Auro D208/D210 – Caratteristiche54
Guida rapida55
Pannello posteriore56
Collegare un microfono57
Collegare una sorgente in stereo.58
Collegare due casse per canale.59
Posizionamento delle Auro D208/D21060
Collegamenti61
Specifiche62
Dimensioni63

Introduzione

Grazie per aver acquistato le casse acustiche professionali attive Auro Samson. Le Auro D208 e D210 sono casse acustiche compatte e potenti che offrono 200 watt in biamplificazione e, rispettivamente, di woofer "heavy duty" a escursione ampia da 8" (20 cm) e 10" (25 cm), oltre a un altoparlante ad alta frequenza da 1" (25 mm) con tromba a dispersione ampia da 1" (25 mm). Il pannello dispone sia di prese sia XLR sia di jack da 6,25 mm, in grado di gestire ingressi di livello microfónico o di linea. L'uscita XLR permette di collegare in cascata più casse Auro per creare sistemi di amplificazione sonora di dimensioni maggiori.

A ulteriore protezione degli altoparlanti, le Auro D208 e D210 dispongono di doppi limitatori ottici che ne mantengono perfetto il suono a qualsiasi livello, e di un equalizzatore interno a due bande che permette di scolpirne il suono a piacere. La loro forma trapezoidale ne permette l'uso sia come casse frontali che come monitor da palco. Inoltre, sono le Auro D208 e le D210 possono facilmente essere installate su asta, grazie al ricettacolo interno per il montaggio su aste da 1 e 3/8".

Il cabinet esterno di ognuno dei sistemi PA Auro è realizzato in polipropilene resistente agli urti, con finitura lavorata antigraffio, ed è dotato di una robusta griglia in acciaio che offre una protezione eccellente contro l'usura alla quale vanno inevitabilmente incontro i sistemi audio portatili. I monitor attivi Auro sono ideali per la musica dal vivo, per i DJ, nell'ambito di conferenze e installazioni sonore, oppure per qualsiasi situazione in cui si vuole disporre di un livello superiore di potenza e qualità sonora.

Queste pagine forniscono una panoramica dettagliata sulle caratteristiche dei sistemi PA Auro, la descrizione dei pannelli frontali e posteriori, istruzioni passo a passo per il collegamento e l'uso, nonché le specifiche complete. Troverete anche la garanzia, da compilare e inviare per posta per poter ricevere supporto tecnico online e informazioni aggiornate su questo e altri prodotti Samson. Vi invitiamo anche a visitare anche il nostro sito web (www.samsontech.com) per informazioni complete sulla nostra intera linea di prodotti.

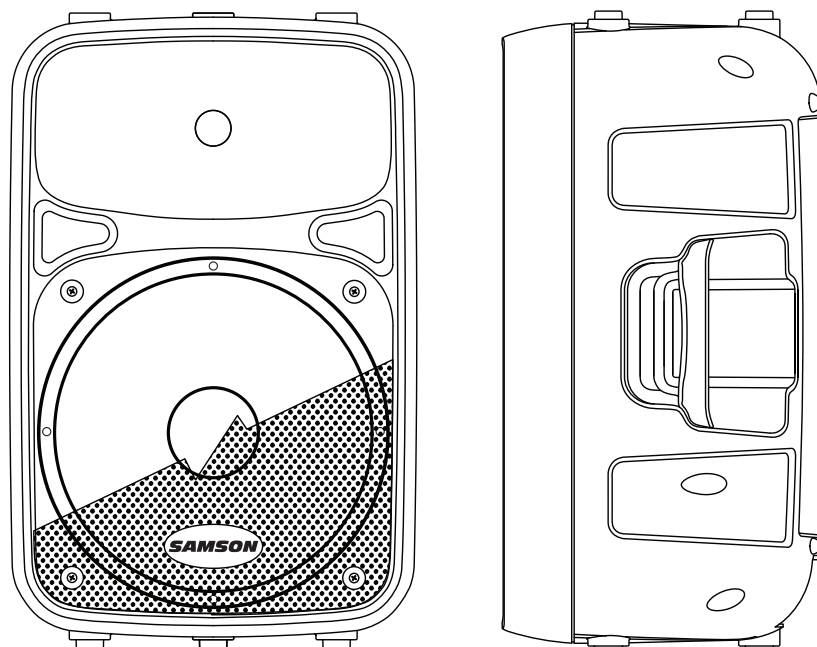
Se trattate con cura e adeguatamente ventilate, le vostre casse Auro funzioneranno senza problemi per molti anni. Vi raccomandiamo di annotare qui sotto il numero di serie come futuro riferimento.

Numero di serie: _____

Data d'acquisto: _____

Se l'unità necessitasse di riparazione, prima di spedirla a Samson dovrete ottenere un numero di Autorizzazione Reso. In sua assenza, l'unità non verrà accettata. Vi preghiamo di contattare Samson al numero 1-800-3SAMSON (1-800-372-6766) per richiedere il numero di autorizzazione prima di procedere alla spedizione. Conservate l'imballaggio originale e, se possibile, utilizzatelo per spedire l'unità. Se il prodotto Samson è stato acquistato al di fuori degli Stati Uniti, contattate il vostro distributore di zona per tutti i dettagli sulla garanzia e l'assistenza.

Auro D208/D210 – Caratteristiche



Ecco una panoramica su alcune delle caratteristiche delle casse acustiche attive Auro.

- Casse acustiche attive a due vie da 200 watt per applicazioni di amplificazione dal vivo.
- Amplificatori di potenza da 150 W per le frequenze basse e 50 W per le frequenze alte (valori di picco).
- Risposta in frequenza neutra e particolarmente estesa.
- Altoparlanti per le basse frequenze da 8"/10" (20/25 cm) con progettazione specifica, ad ampia escursione e di tipo "heavy duty", forniscono una risposta estesa dei bassi.
- Driver da 1" (25 mm) con bocca di emissione da 1" (25 mm), per una riproduzione morbida degli acuti.
- Ingresso Mic/Line bilanciato con controllo volume e LED Peak.
- Equalizzatore a due bande (shelving) per le frequenze basse e acute.
- Uscita XLR line per il collegamento in cascata di più casse Auro.
- Elaborazione dinamica multibanda con limitatore trasparente sul segnale audio.
- Crossover elettronico interno da 24 dB/ottava ad allineamento temporale.
- Angolazione da monitor a 35 gradi per la D208 e a 45 gradi per la D210.
- Alloggiamento per l'installazione su asta standard da 3,5 cm.
- Design versatile e facilmente trasportabile, con maniglie laterali integrate.
- Design "bass reflex" accordato, per una risposta estesa alle basse frequenze.
- Cabinet esterno in polipropilene, robusto e leggero.

Le istruzioni qui di seguito vi aiuteranno a configurare le vostre casse acustiche Auro D208/D210.

Configurazione

1. Ruotate completamente in senso orario il controllo Level sul pannello posteriore.
2. Regolate i controlli di EQ su Bass e Treble in posizione "a ore 12".
3. Spostate l'interruttore Power su OFF.

Collegamenti

1. Collegate o un segnale a livello di linea da un mixer (o da un'altra sorgente) o un microfono al jack di ingresso sul pannello posteriore della Auro D208/D210.
2. Collegate il cavo di alimentazione in dotazione alla presa IEC sul retro della cassa acustica, poi collegate l'altro capo a una presa di alimentazione CA.
3. Nota: accertatevi sempre che la tensione della presa CA corrisponda a quanto indicato sul pannello posteriore della cassa acustica Auro.

Uso

1. Spostate l'interruttore Power della Auro su ON.
2. Inviare un segnale audio dal mixer, oppure parlate nel microfono.
3. Alzate lentamente il controllo Level della Auro fino a raggiungere il livello desiderato.
4. Se il volume dalla cassa acustica diventa davvero elevato, oppure se l'indicatore LED lampeggia di frequente, abbassate leggermente il controllo Level dell'Auro D208/D210 fino a far spegnere l'indicatore, o fino a farlo accendere solo di tanto in tanto con segnali di picco.

Pannello posteriore

1. Connettore di ingresso XLR

È un connettore XLR femmina bilanciato che accetta segnale da un microfono o a livello di linea.

2. Connettore di ingresso da 6,35 mm

Usate questo ingresso da 6,35 mm per il collegamento di un microfono bilanciato o di un segnale bilanciato o sbilanciato a livello di linea.

3. Uscita Line

Connettore XLR maschio che permette di collegare più casse Auro in cascata.

4. Controllo Level

Regola il livello globale del segnale all'ingresso dei finali di potenza. Per attenuare un segnale a livello di linea, ruotatelo dalla posizione completamente in senso antiorario fino a "ore 12". Per un segnale microfonico, ruotatelo oltre la posizione a "ore 12".

5. Controllo equalizzatore Bass

Controlla le frequenze basse dell'equalizzatore della cassa acustica, +/- 15 dB a 80 Hz.

6. Controllo equalizzatore Treble

Controlla le frequenze acute dell'equalizzatore della cassa acustica, +/- 15 dB a 12 kHz.

7. Indicatore Peak

È un LED ROSSO che si accende quando l'amplificatore è vicino al punto di clipping. Se l'indicatore Peak si accende di frequente, abbassate il controllo Level della cassa Auro oppure abbassate il segnale dalla sorgente finché l'indicatore non si accende più, o si accende occasionalmente sui picchi del segnale.

8. Indicatore Power

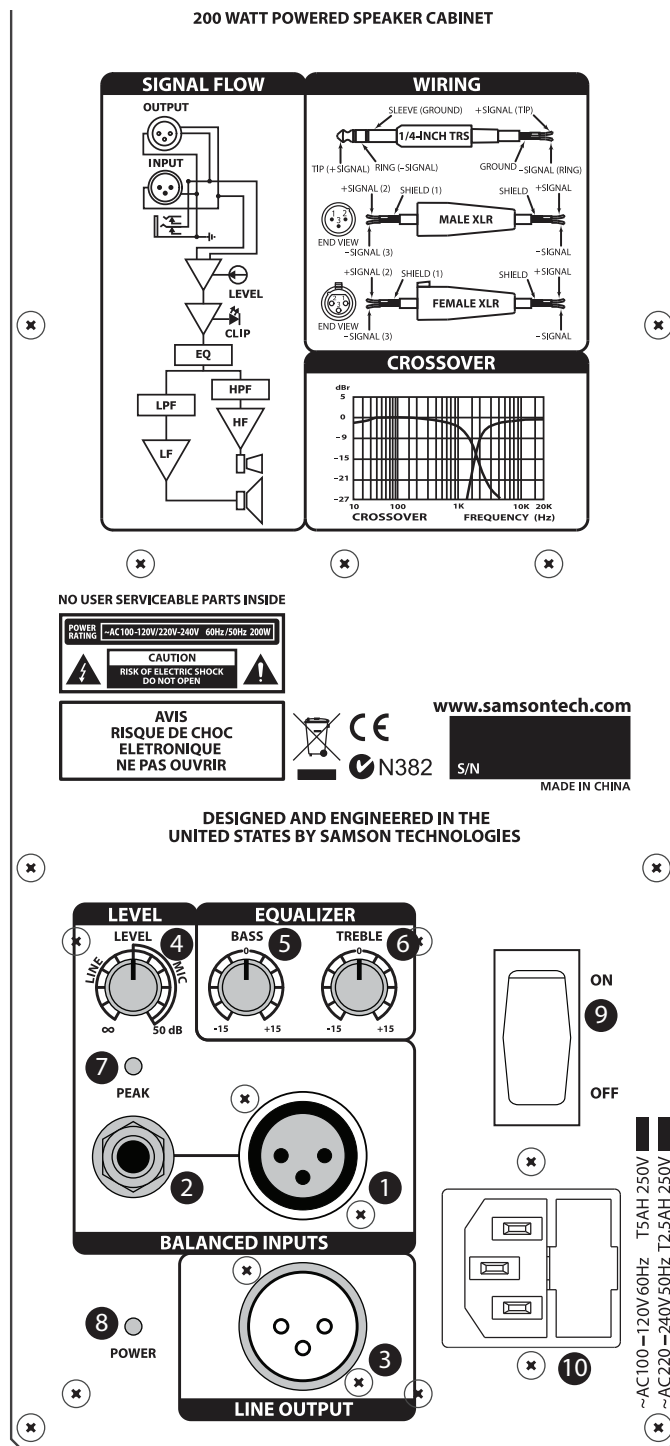
Il LED diventa VERDE quando l'amplificatore è acceso.

9. Interruttore Power

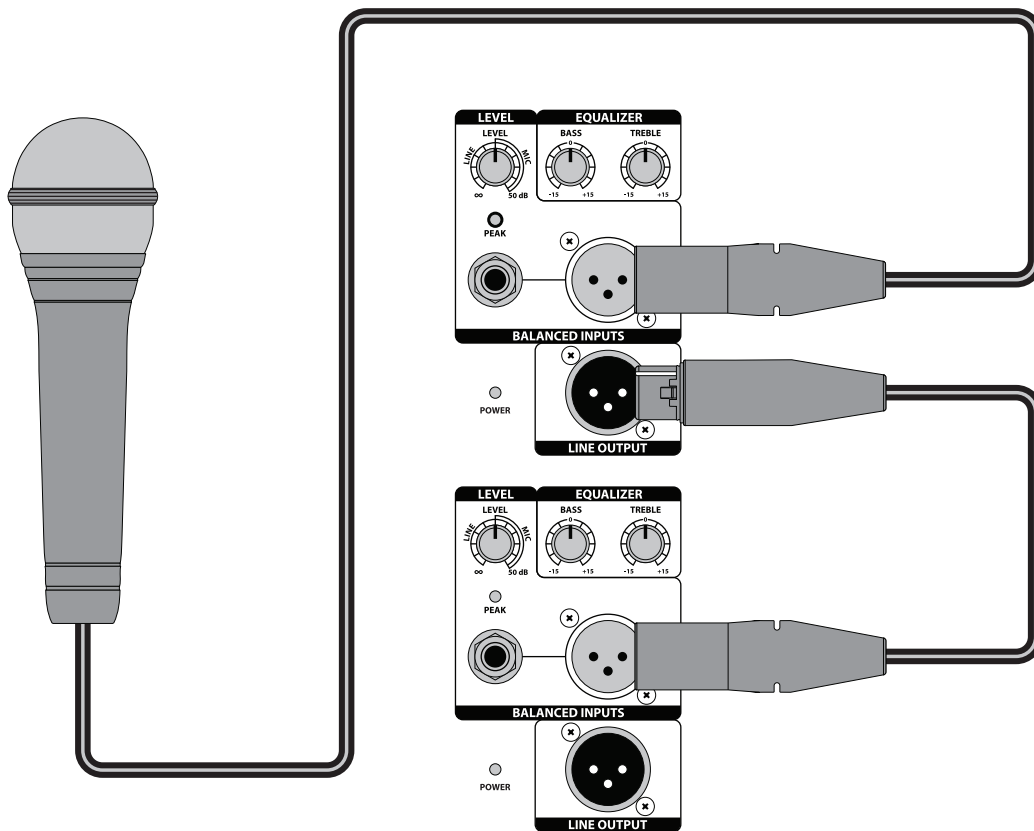
È l'interruttore che controlla l'accensione della cassa Auro.

10. Presa di alimentazione CA

Collegate qui il cavo di alimentazione IEC standard in dotazione.



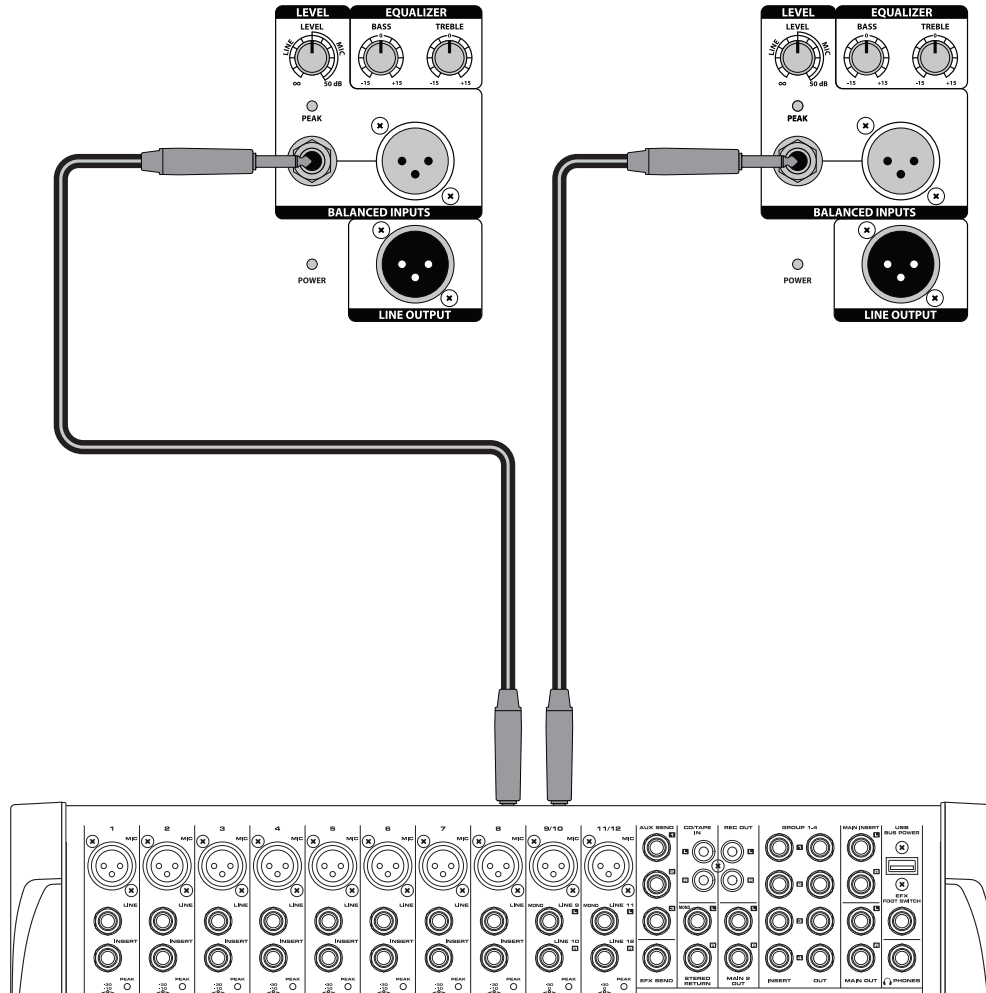
Collegare un microfono



Usare un microfono

- Accertatevi che l'interruttore Power della Auro D208/D210 sia in posizione OFF.
- Ruotate completamente il controllo LEVEL in senso antiorario, fino a disattivarlo.
- Collegate il cavo di alimentazione a una presa CA.
- Usando un cavo XLR standard, collegate un microfono all'ingresso XLR della Auro.
- Spostate l'interruttore Power in posizione ON.
- Parlando o cantando nel microfono, alzate lentamente il controllo LEVEL fino a raggiungere il livello desiderato.
- Se volete creare sistemi di amplificazione di dimensioni più ampie, potete connettere più monitor sfruttando l'uscita Line delle Auro per effettuare un collegamento in cascata.

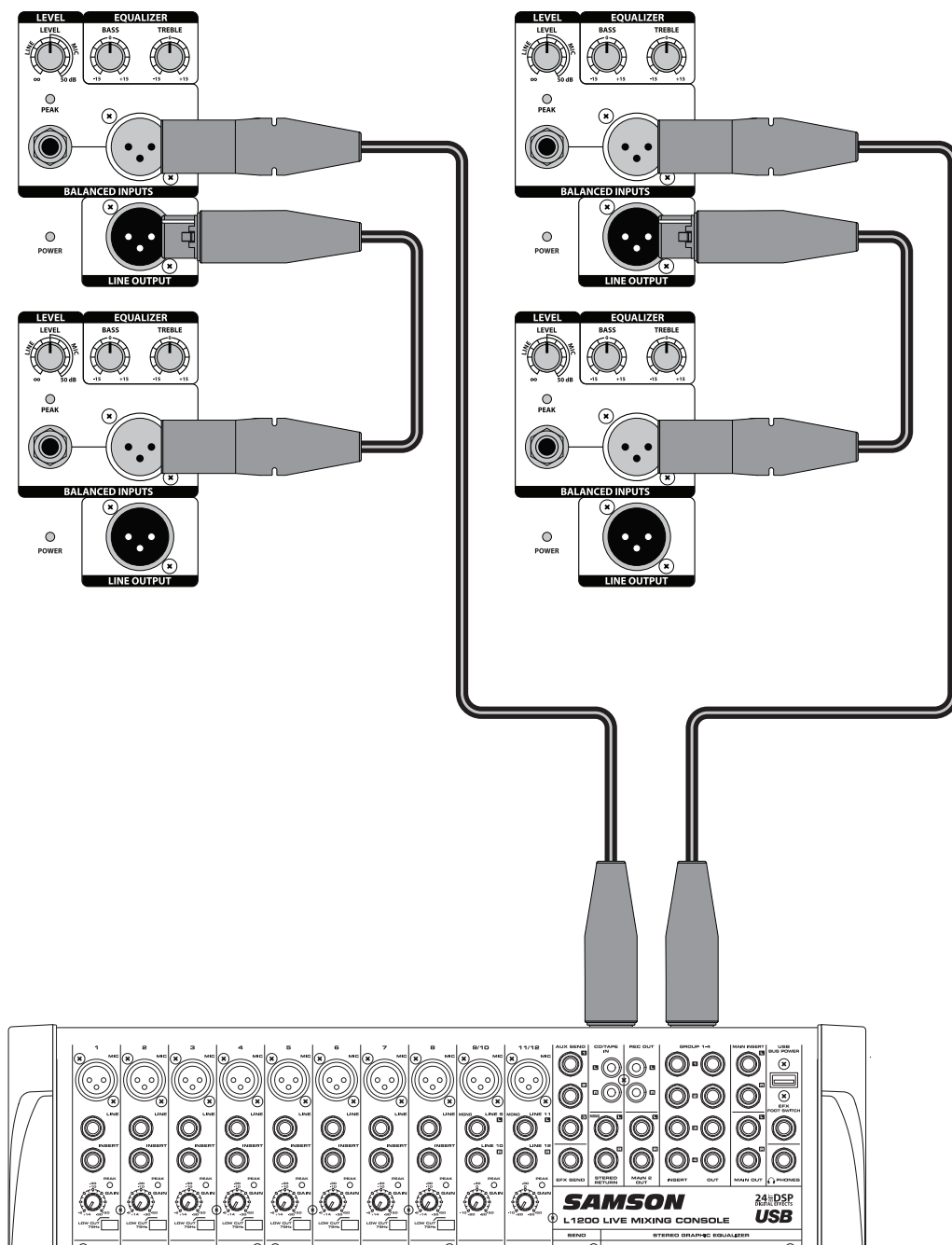
Collegare una sorgente in stereo



Usare un segnale stereo a livello di linea

- Accertatevi che l'interruttore Power della Auro D208/D210 sia in posizione OFF.
- Ruotate completamente il controllo LEVEL in senso antiorario, fino a disattivarlo.
- Collegate il cavo di alimentazione a una presa CA.
- Usando cavi XLR o da 6,35 mm standard, collegate i segnali a livello di linea da un mixer o una tastiera agli ingressi della Auro.
- Spostate l'interruttore Power in posizione ON.
- A questo punto mandate un segnale audio dal mixer (ad esempio musica da un CD) e alzate lentamente il controllo LEVEL delle Auro fino a raggiungere il livello desiderato.

Collegare due casse per canale



Collegare due casse Auro per canale

- Ruotate completamente il controllo LEVEL in senso antiorario, fino a disattivarlo.
- Collegate le uscite destra e sinistra a livello di linea di un mixer agli ingressi di due casse Auro.
- Collegate le uscite LINE agli ingressi di un'altra coppia di casse Auro.
- A questo punto mandate un segnale audio dal mixer (ad esempio musica da un CD) e alzate lentamente il controllo LEVEL delle Auro fino a raggiungere il livello desiderato.

Posizionamento delle Auro D208/D210

Posizionare le casse

Quando possibile, è sempre una buona idea sollevare le casse al di sopra della testa degli ascoltatori. Le casse acustiche Auro hanno alloggiamenti standard per il montaggio su aste da 3,5 cm, compatibili con aste per casse di vari costruttori. In contesti di dimensioni più contenute, per esempio nella mensa di una scuola, in una libreria o in uno stand, potete anche usare le casse Auro in una delle posizioni inclinate da monitor, cosa che migliora la proiezione delle casse e può eliminare la necessità di montarle su aste.

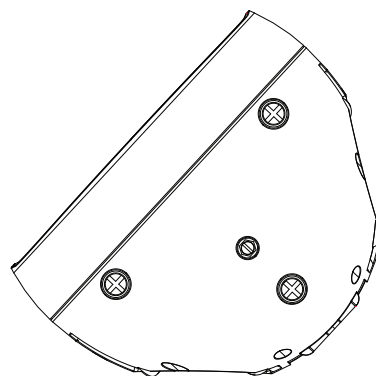
Nota: quando installate una cassa Auro su un'asta, assicuratevi che l'asta possa sopportarne il peso.

Nota: fatevi sempre aiutare da un'altra persona quando montate le casse Auro sulle apposite aste, o quando regolate le aste con le casse già installate.



Usare le Auro D208/D210 come monitor da palco

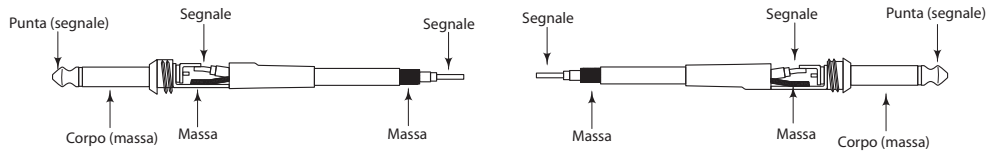
Le Auro D208/D210 sono ideali come monitor da palco, grazie all'esclusivo design che permette di sistemarle sul fianco. Le Auro D208 supportano una posizione a 35 gradi, mentre le Auro D210 sono regolabili con un'angolazione a 45 gradi.



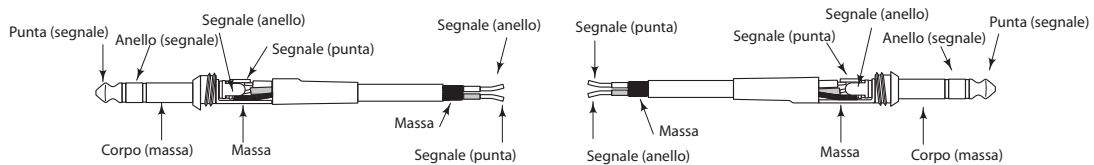
Collegamenti

Le Auro D208/D210 dispongono di ingressi e uscite bilanciati per cui è possibile collegare segnali sia bilanciati sia sbilanciati. Quando possibile, usate collegamenti bilanciati verso gli altri apparecchi, per eliminare potenziali interferenze.

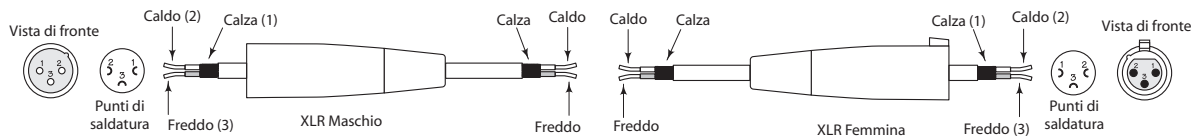
Connettore Sbilanciato da 1/4"



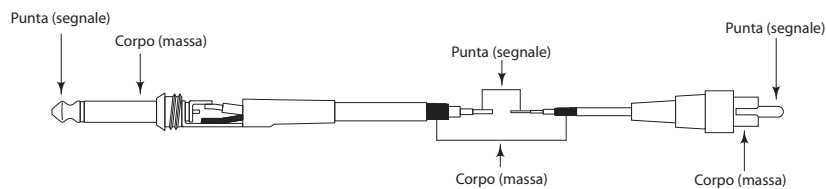
Connettore TRS Bilanciato da 1/4"



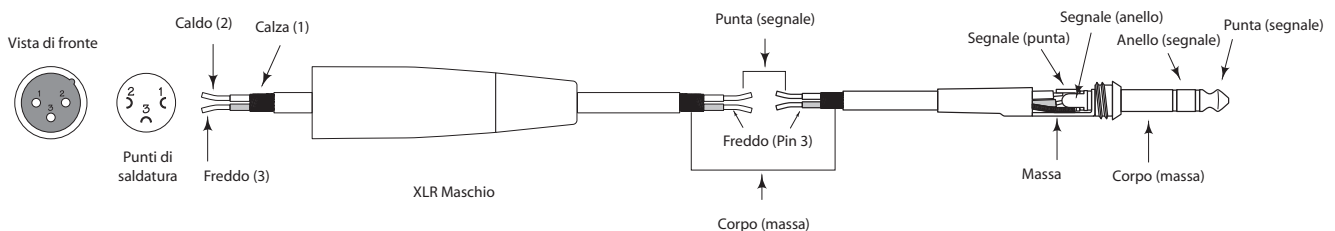
XLR - XLR Bilanciato



Connettore Sbilanciato da 1/4" a RCA



Connettore Bilanciato da XLR a 1/4"



ENGLISH

FRANÇAIS

DEUTSCHE

ESPAÑOL

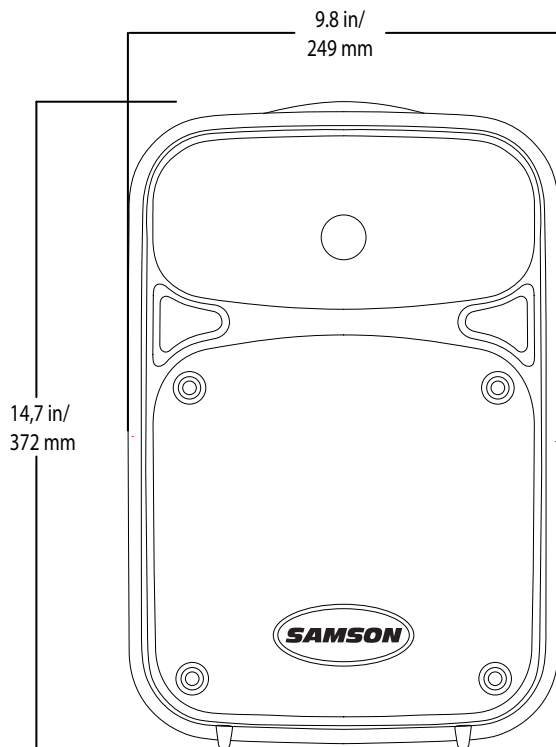
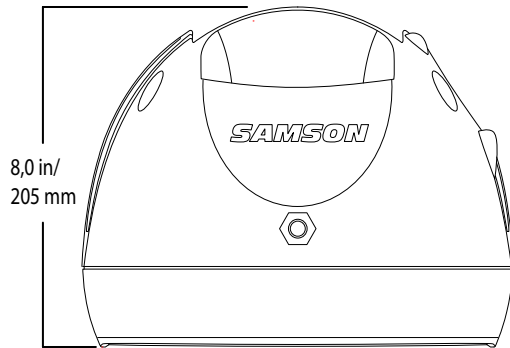
ITALIANO

Specifiche

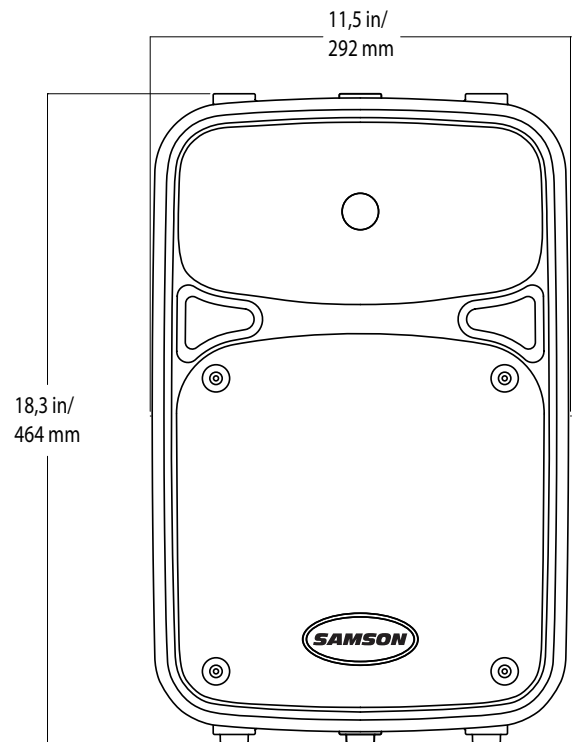
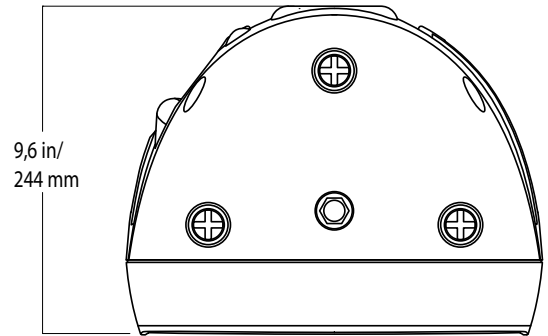
		D208	D210
Potenza in uscita			
Basse frequenze	Potenza RMS	135 W @ 8 ohm	
	Pot. di picco	160 W @ 8 ohm	
	THD	< 1 %	
Alte frequenze	Potenza RMS	20 W @ 8 ohm	
	Pot. di picco	40 W @ 8 ohm	
	THD	< 1 %	
Trasduttori			
Basse frequenze	Trasduttore da 8" (20 cm)		Trasduttore da 10" (25 cm)
Alte frequenze	Altoparlante da 1" (25 mm) per alte frequenze		
Prestazioni acustiche			
Risposta in frequenza (-3 dB)	Da 64 Hz a 20 kHz		Da 60 Hz a 20 kHz
Livello max di pressione sonora	113 dB SPL @ 1 m		113 dB SPL @ 1 m
Limitatore	Ottico		
Angolo di copertura orizzontale	90°		
Angolo di copertura verticale	60°		
Crossover elettronico			
Tipo di crossover	Linkwitz-Riley 24 dB/ott		
Frequenza crossover	2,1 kHz		
Ingressi/Uscite			
Ingressi	XLR bilanciati e connettori Mic/Line da 6,35 mm		
Uscite	Uscita Line XLR bilanciata		
Equalizzazione			
Acuti	±15 dB @ 12 kHz, shelving		
Bassi	±15 dB @ 80 Hz, shelving		
Alimentazione			
Potenza assorbita	300 W max.		
Connettore CA	IEC a 3 pin maschio 250 VCA, 20 A		
Fusibile	100 - 115 VCA T5AL / 250 V		
	220 - 240 VCA T2,5AL / 250 V		
Dimensioni e peso			
Dimensioni	mm	249 mm L x 205 mm P x 372 mm A	292 mm L x 244 mm P x 464 mm A
Peso	kg	6,66	8,52
Installazione			
Metodo di installazione	Alloggiamento integrato per il montaggio su asta da 3,5 cm		
Punti di sospensione	1		

Le specifiche possono variare senza preavviso.

D208



D210



Samson Technologies Corp.
45 Gilpin Avenue
Hauppauge, New York 11788-8816
Phone: 1-800-3-SAMSON (1-800-372-6766)
Fax: 631-784-2201
www.samsontech.com