



Questo manuale d'istruzione è fornito da trovaprezzi.it. Scopri tutte le offerte per [Samson Auro X15D](#) o cerca il tuo prodotto tra le [migliori offerte di Diffusori Audio](#)



Questo manuale d'istruzione è fornito da trovaprezzi.it. Scopri tutte le offerte per [Samson Auro X15D](#) o cerca il tuo prodotto tra le [migliori offerte di Diffusori Audio](#)

auro

X12D • X15D 1,000 WATT ACTIVE LOUDSPEAKER



OWNER'S MANUAL

SAMSON®

Copyright 2015 - Samson Technologies Corp.
V2
Samson Technologies Corp.
45 Gilpin Avenue
Hauppauge, New York 11788-8816
Phone: 1-800-3-SAMSON (1-800-372-6766)
Fax: 631-784-2201
www.samsontech.com

Important Safety Information



This lightning flash with arrowhead symbol within an equilateral triangle is intended to alert the user to the presence of non-insulated "dangerous voltage" within the product's enclosure that may be of sufficient magnitude to constitute a risk of electric shock.



The exclamation point within an equilateral triangle is intended to alert the user to the presence of important operating and maintenance instructions in the literature accompanying the appliance.



CAUTION

To prevent electric shock hazard, do not connect to mains power supply while grille is removed.

WARNING: TO REDUCE THE RISK OF ELECTRIC SHOCK, DO NOT REMOVE COVER (OR BACK) AS THERE ARE NO USER-SERVICEABLE PARTS INSIDE. REFER SERVICING TO QUALIFIED SERVICE PERSONNEL.

1. Read these instructions.
2. Keep these instructions.
3. Heed all warnings.
4. Follow all instructions.
5. Do not use this apparatus near water.
6. Clean only with dry cloth.
7. Do not block any ventilation openings. Install in accordance with the manufacturer's instructions.
8. Do not install near any heat sources such as radiators, heat registers, stoves, or other apparatus (including amplifiers) that produce heat.
9. Do not defeat the safety purpose of the polarized or grounding type plug. A polarized plug has two blades with one wider than the other. A grounding type plug has two blades and a third grounding prong. The wide blade or the third prong are provided for your safety. If the provided plug does not fit into your outlet, consult an electrician for replacement of the obsolete outlet.
10. Protect the power cord from being walked on or pinched particularly at the plugs, convenience receptacles, and at the point where they exit from the apparatus.
11. Only use attachments/accessories specified by the manufacturer.
12. Use only with the cart, stand, tripod, bracket, or table specified by the manufacturer, or sold with the apparatus. When a cart is used, use caution when moving the cart/apparatus combination to avoid injury from tip-over.
13. Unplug the apparatus during lightning, storm or when unused for long periods of time.
14. Refer all servicing to qualified personnel. Service is required when the apparatus has been damaged in any way, such as power supply cord or plug is damaged, liquid has been spilled or objects have fallen into the apparatus has been exposed to rain or moisture, does not operate normally, or has been dropped.
15. This appliance shall not be exposed to dripping or splashing water and that no object filled with liquid such as vases shall be placed on the apparatus.
16. Caution-to prevent electrical shock, match wide blade plug wide slot fully insert.
17. Please keep a good ventilation environment around the entire unit.
18. **POWER ON/OFF SWITCH:** For products with a power switch, the power switch DOES NOT break the connection from the mains.
19. **MAINS DISCONNECT:** The plug should remain readily operable. For rack-mount or installation where plug is not accessible, an all-pole mains switch with a contact separation of at least 3mm in each pole shall be incorporated into the electrical installation of the rack or building.



Important Safety Information

FCC Notice

1. This device complies with Part 15 of the FCC Rules. Operation is subject to the following two conditions:
 - (1) This device may not cause harmful interference.
 - (2) This device must accept any interference received, including interference that may cause undesired operation.
2. Changes or modifications not expressly approved by the party responsible for compliance could void the user's authority to operate the equipment.



If you want to dispose this product, do not mix it with general household waste. There is a separate collection system for used electronic products in accordance with legislation that requires proper treatment, recovery and recycling.

Private household in the 28 member states of the EU, in Switzerland and Norway may return their used electronic products free of charge to designated collection facilities or to a retailer (if you purchase a similar new one).

For Countries not mentioned above, please contact your local authorities for a correct method of disposal.

By doing so you will ensure that your disposed product undergoes the necessary treatment, recovery and recycling and thus prevent potential negative effects on the environment and human health.

Contents

Introduction	6
Features	7
Quick Start	8
Rear Panel Layout	9
Making Connections	11
Cables and Connectors	13
Specifications	14
Dimensions	15

ENGLISH

FRANÇAIS

DEUTSCHE

ESPAÑOL

ITALIANO

Introduction

Thank you for purchasing the Samson Auro professional, powered loudspeaker. The Auro X12D and X15D are compact and powerful speaker cabinets featuring 1,000 watts of bi-amped onboard power. The Auro X12D and X15D, respectively, feature 12" and 15" heavy-duty, long-excursion woofers, as well as 1.34" titanium compression drivers with a 1" exit. The back panels offer two XLR & ¼" input channels, each with independent volume controls. They also feature a Master Volume control, as well as a 3-position EQ and HPF presets to suit any application. The XLR Line Output allows you to "daisy-chain" multiple Auro cabinets together to create larger sound reinforcement systems.

The Auro X12D and X15D feature a 1,000 watt lightweight, efficient class-d amplifier as well as Samson's R.A.M.P. Digital Signal Processing (DSP) technology. The R.A.M.P. DSP ensures for maximum output with a linear response while providing protection to the speaker and components.

Each cabinet's trapezoidal shape allows it to be configured for either front-of-house use, or for operation as a wedge-style monitor. In addition, the compact cabinets can easily be stacked, using the built-in bumpers or can be stand-mounted using the integral 1 3/8" pole-mount receptacles.

Each Auro PA system's durable enclosure is made of high-impact polypropylene with a scuff-resistant textured finish, and include a heavy-grade steel grill, offering excellent protection against wear and tear for truly portable audio. The Auro active monitors are ideal for live music, DJ, lecture, and installed sound applications, or anywhere serious power and superior sound quality are desired.

In these pages, you'll find a detailed itemization of the features of the Auro PA system, as well as a description of its front and rear panels, step-by-step instructions for its setup and use, and full specifications. You'll also find a warranty card enclosed—please don't forget to fill it out and mail it in so that you can receive online technical support, and so that we can send you updated information about this and other Samson products in the future. Also, be sure to check out our website (www.samsontech.com) for complete information about our full product line.

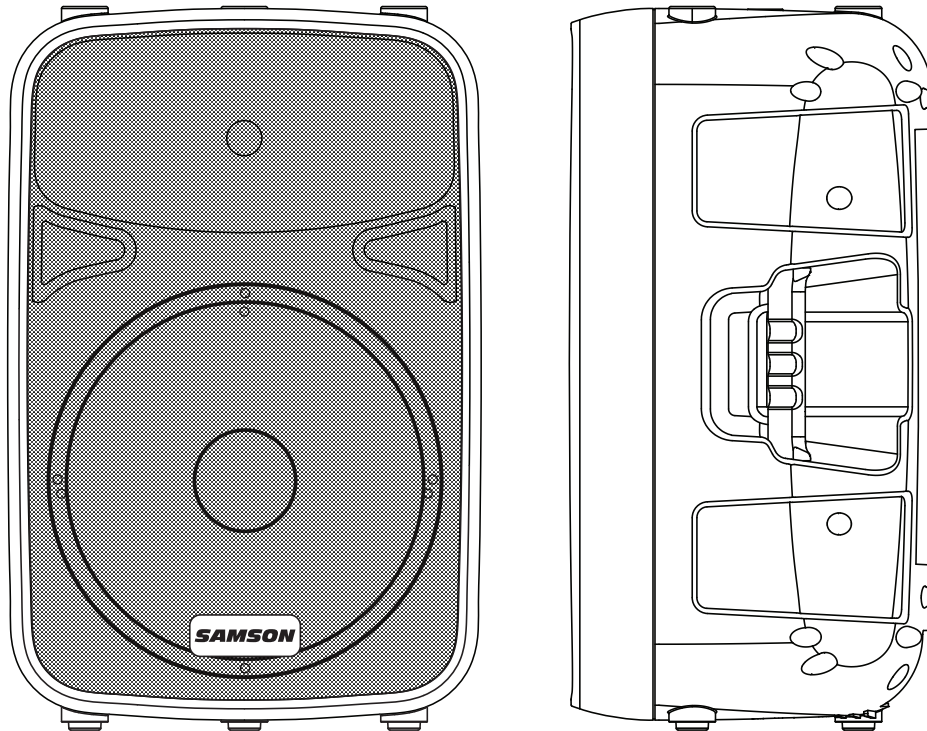
With proper care and adequate air circulation, your Auro cabinet will operate trouble free for many years. We recommend you record your serial number in the space provided below for future reference.

Serial number: _____

Date of purchase: _____

Should your unit ever require servicing, a Return Authorization (RA) number must be obtained before shipping your unit to Samson. Without this number, the unit will not be accepted. Please call Samson at 1-800-3SAMSON (1-800-372-6766) for an RA number prior to shipping your unit. Please retain the original packing materials and, if possible, return the unit in the original carton and packing materials. If you purchased your Samson product outside the United States, please contact your local distributor for warranty and service information.

Features



- 1,000 watt, two-way active loudspeakers for live sound applications
- Lightweight, ultra-efficient Class-D amplifier
- 800W LF + 200W HF power amplifiers (peak)
- Ultra-wide, flat frequency response
- Custom-designed, heavy-duty, 12"/15" long throw low frequency drivers provide enhanced bass response
- 1.34" titanium diaphragm compression driver with 1" throat for smooth high-end reproduction
- Samson's R.A.M.P. DSP technology
- Master Volume control with peak indicator
- Two XLR-1/4" combo input channels with independent
- 3-position EQ and HPF presets
- XLR Line Output connectors to "daisy-chain" multiple Auro cabinets
- Internal 24 dB/octave time aligned electronic crossover
- 30- and 45- degree monitor angles for near and far field coverage
- Standard 1 3/8-inch (35mm) speaker stand receptacle
- Versatile, portable design with integrated side handles
- Tuned, ported bass reflex design for extended low end
- Solid polypropylene enclosure with impact resistant design

Quick Start

1. Turn the Level control on the rear panel fully counterclockwise.
2. Set the HPF and EQ switches to the Flat positions (figure 1).
3. Turn the Power switch OFF.
4. Connect either a line level signal from your mixer (or other audio source) or a microphone to the Input 1 jack or a line level signal to the Input 2 jack on the Auro X12D/X15D rear panel (figure 2). If using a microphone, set the Mic/Line Switch to the microphone position.
5. Connect the supplied power cable to the AC Power Inlet on the back of the loudspeaker. Plug the power cable into an AC outlet (figure 4).
Note: Always make sure that the AC outlet is configured with the correct voltage as indicated on the rear panel of the Auro loudspeaker.
6. Switch the Auro's Power switch to the ON position.
7. Turn the Master VOL control up.
8. Run an audio signal from your mixer, or talk into the microphone (figure 4).
9. Slowly raise the Auro's Level control until you have reached the desired level.
10. If the sound from the speakers sounds distorted, or you see the FAULT indicator blinking frequently, turn down the Input Level control on the Auro X12D/X15D a little until the indicator does not light. To increase the output level of the cabinet, raise the Master VOL Control.

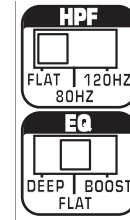


figure 1

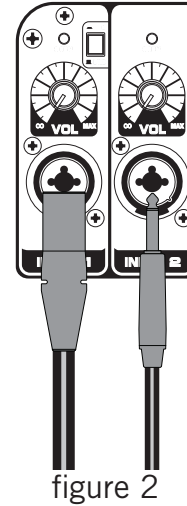


figure 2

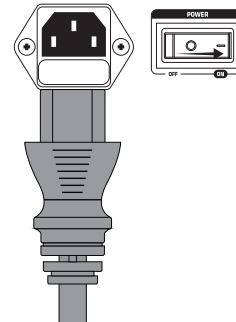


figure 3

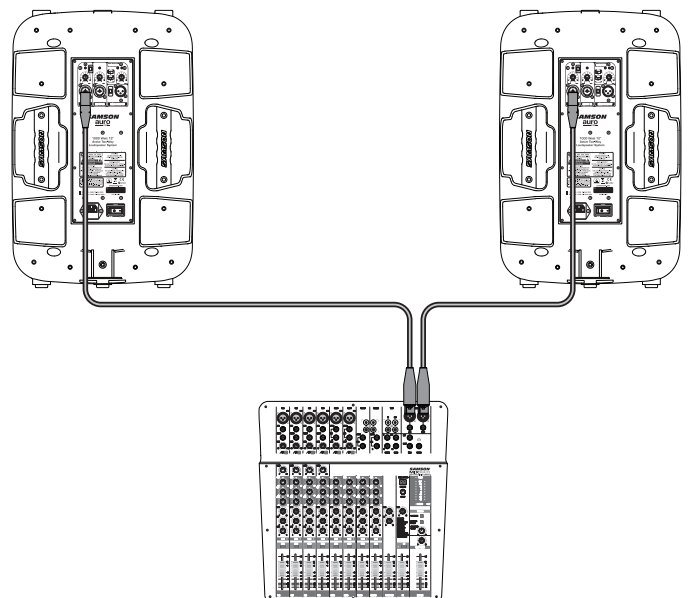
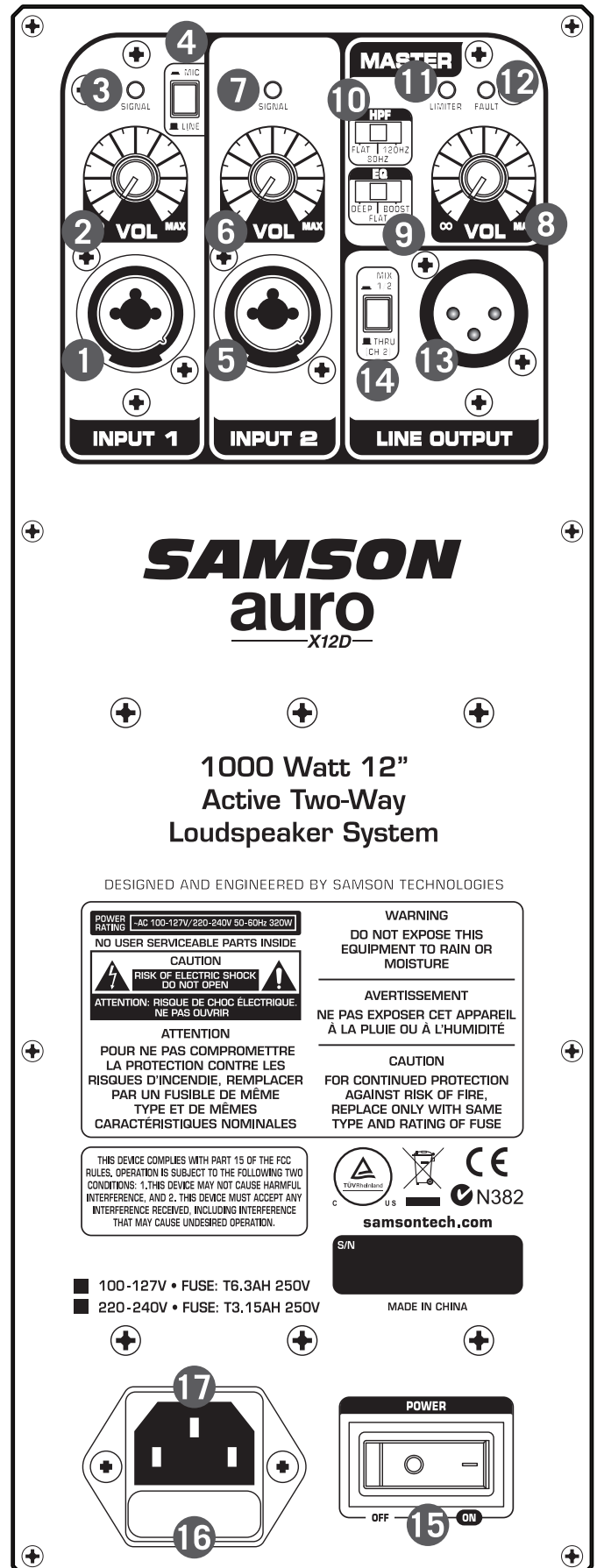


figure 4

Rear Panel Layout

- 1. XLR and 1/4" Input Connector (Input 1)** - This combo XLR and 1/4" connector accepts either a balanced or unbalanced microphone or line level signal. The 1/4" phone input accepts TS or TRS type connectors.
- 2. VOL Control (Input 1)** - This Volume knob adjusts the level of the Input 1 channel.
- 3. SIGNAL Indicator (Input 1)** - This GREEN LED indicator, when illuminated, indicates that the signal is present at the Input 1, regardless of the Input 1 VOL Control setting.
- 4. Mic/Line Switch (Input 1)** - The MIC position changes the gain of the Input 1 jacks to MIC level. The LINE position reduces the gain of both jacks by 30dB to line level.
- 5. XLR and 1/4" Input Connector (Input 2)** - This combo XLR and 1/4" connector accepts either a balanced or unbalanced line level signal. The 1/4" phone input accepts TS or TRS type connectors.
- 6. VOL Control (Input 2)** - This control adjusts the level of the Input 2 channel.
- 7. SIGNAL Indicator (Input 2)** - This GREEN LED indicator, when illuminated, indicates that the signal is present at the Input 2, regardless of the Input 2 VOL Control setting.
- 8. Master VOL Control** - This control adjusts the overall signal level at the input of the power amplifiers.
- 9. EQ Switch** - The Auro DSP has three EQ contour curves: FLAT, DEEP, and BOOST. The FLAT setting produces the standard frequency response and works best for most applications. The BOOST setting provides a high frequency lift for vocal clarity. This is useful when plugging a microphone directly into the speaker. The DEEP setting enhances low frequencies to add punch and high frequencies to add vocal clarity.



ENGLISH

FRANÇAIS

DEUTSCHE

ESPAÑOL

ITALIANO

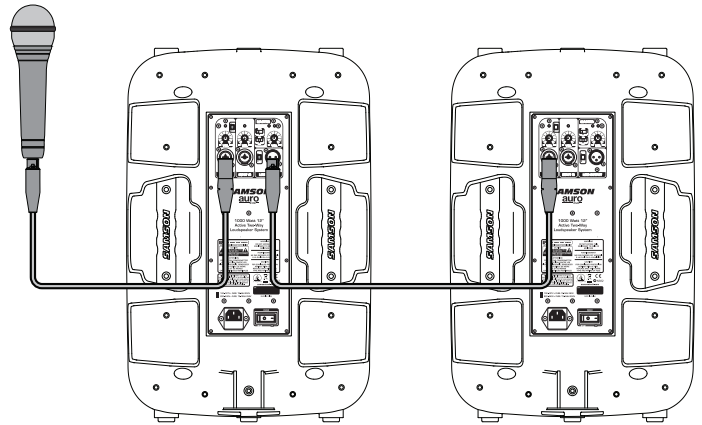
Rear Panel Layout

10. **HPF Switch** - This switch adjust the High Pass Filter frequency of the cabinet. When using the Auro speaker with a subwoofer, set the switch to 80Hz or 120Hz depending on the specification of the subwoofer. It is also recommended to set the HPF to 120Hz when using the Auro speaker as a floor monitor to limit the low frequency build up on the stage.
11. **LIMITER Indicator** - This YELLOW LED lights when the amp is near the clipping point and the limiter is engaged. If the LIMITER indicator lights frequently, turn down the Master VOL control or INPUT VOL controls on the Auro speaker or turn down the signal at the source, until the indicator does not light anymore, or lights only occasionally with high signal peaks.
12. **FAULT Indicator** - This LED lights RED when the input is overloaded, amp overheats or other problems have been detected. If the FAULT indicator lights due to the amp overheating, the amplifier will limit the audio and lower the output level. When the unit cools, the FAULT indicator will turn off and the amplifier will raise the level back up.
13. **Line Output** - Male XLR connector used to link multiple Auro cabinets.
NOTE: When connecting a loudspeaker to the Line Output of the Auro X12D or X15D, it is important to power on the main Auro loudspeaker first, then power on the linked speaker. When powering down the system, it is recommended to turn off all linked speakers, then power off the main Auro loudspeaker.
14. **MIX 1/2 & THRU Switch** - This switch is used to select the signal that is sent to the Line Output. When the switch is in the up (MIX 1/2) position, the signal on the Line Output is a mix of both the Input 1 and Input 2 signals. When the switch is in the down (THRU) position the Line Output carries only the Input 2 signal.
15. **Power Switch** - This rocker switch turns on and off the Auro's main power. The switch lights RED when the amp is active.
NOTE: It is important to remember the Golden Rule of audio... "LAST ON, FIRST OFF." Translated, this means that when turning on your system, you should always turn your powered speakers on LAST, and when turning your system off, turn your powered speakers off FIRST. This helps avoid any loud pops caused by inrush current at power up, or down, which can sometimes damage loudspeakers.
16. **Fuse Cover** - The fuse is located behind the fuse cover. Always replace fuses with the same type of fuse.
17. **AC Power Inlet** - Connect the supplied standard 3-prong IEC power cable here.
Note: Never disconnect the plug's ground pin. It is dangerous and can result in electric shock!

Making Connections

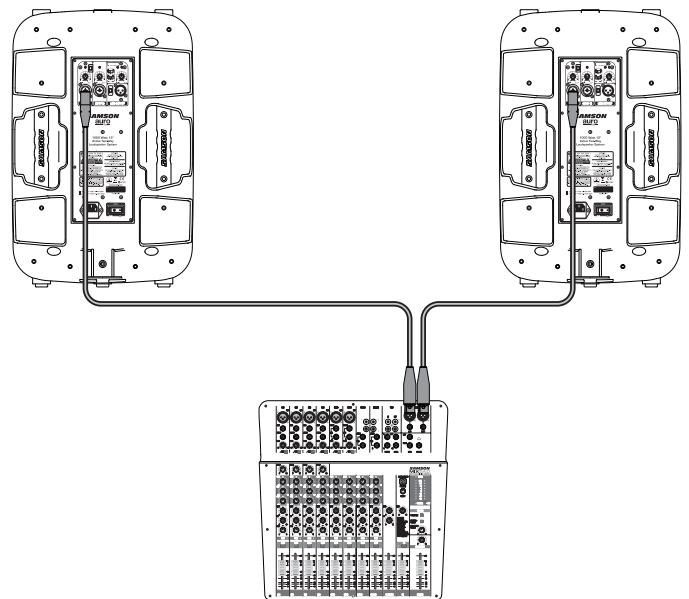
Using a Microphone

- Be sure that the Auro X12D/X15D Power switch is set to the off position.
- Turn the LEVEL control fully counterclockwise to the off position.
- Connect the power cable to an AC socket.
- Using a standard XLR cable, plug a microphone into the Auro's XLR INPUT 1.
- Set the MIC/LINE switch to the MIC (down) position.
- Set the MIX 1/2 & THRU switch to the MIX 1/2 position.
- Switch the Power switch to the ON position.
- While speaking or singing into the microphone, slowly raise the LEVEL control until you have reached the desired level.
- For larger sound reinforcement you can run several monitors using the Line Output to daisy-chain one Auro to another.



Using a Stereo Line Level Signal

- Be sure that the Auro X12D/X15D Power switch is set to the off position.
- Turn the LEVEL control fully counterclockwise to the off position.
- Connect the power cable to an AC socket.
- Using standard XLR or 1/4" cables, connect the line level signals from a mixer or keyboard into the Auro Inputs.
- Switch the Power switch to the ON position.
- Now, run an audio signal from your mixer (like music from an MP3 player) while slowly raising the Auro's Level control until you have reached the desired level.



Speaker Placement

Whenever possible, it is a good idea to raise the speakers above the heads of the listening audience. The Auro enclosures feature standard 1 3/8" pole mount receptacles with locking bolts, which are compatible with speaker stands from a variety of manufacturers. In a smaller setting like a school cafeteria, library, or a mall kiosk, you can also use the Auro loudspeaker in one of the tilt back monitor positions, which will improve the projection of the speakers and may eliminate the need for speaker stands.

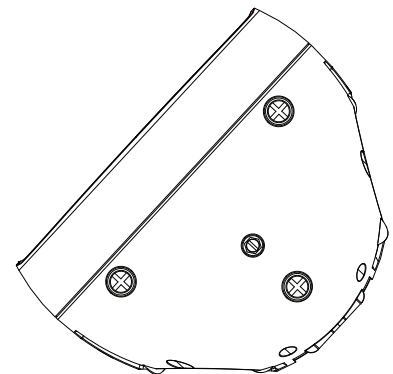
Note: When using a speaker pole mount, be sure the pole is capable of supporting the weight of the Auro loudspeaker.

Note: Always have another person to assist when mounting the Auro speaker onto a speaker stand, or when adjusting the stand while the speaker is mounted on the stand.



Using the Auro X12D/X15D as a Floor Monitor

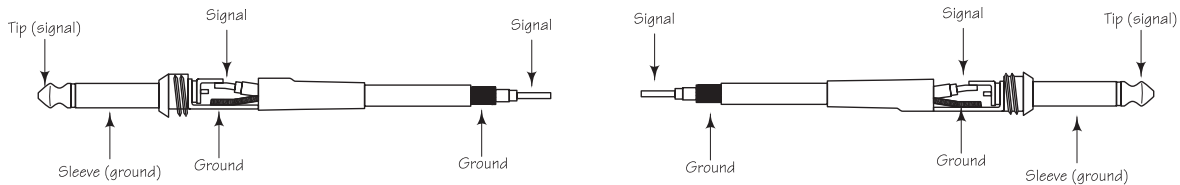
The Auro X12D/X15D is an ideal solution for stage monitoring and thanks to its unique design, two wedge monitor positions are possible. When placed on its side, with the high frequency horn facing to the left of the enclosure, the Auro is tilted at a 30 degree angle, optimizing performance when used on a large stage. When placed on its side with the high frequency horn facing to the right of the enclosure, the Auro is tilted at a 45 degree angle optimizing performance when used on smaller stages.



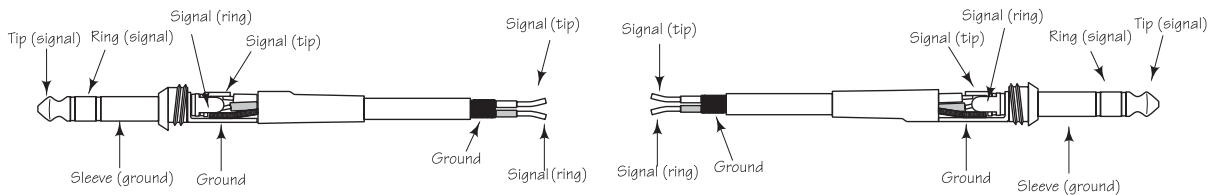
Cables and Connectors

The Auro X12D/X15D features balanced inputs and outputs, so connecting balanced and unbalanced signals is acceptable. Whenever possible, use balanced connections to other equipment to suppress interference.

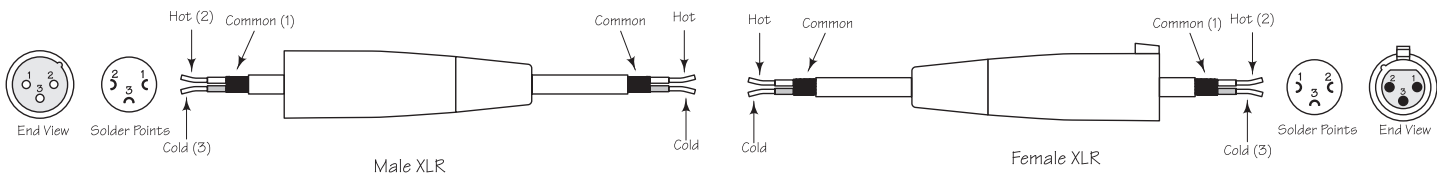
Unbalanced 1/4" Connector



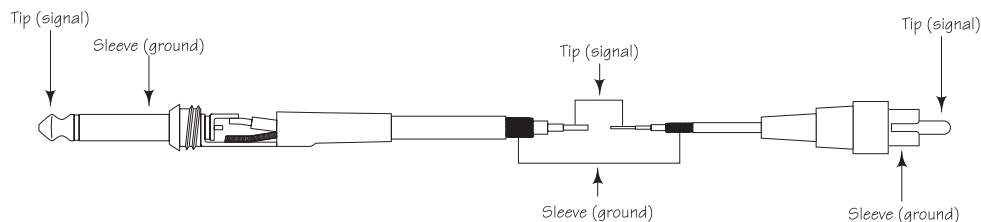
Balanced TRS 1/4" Connector



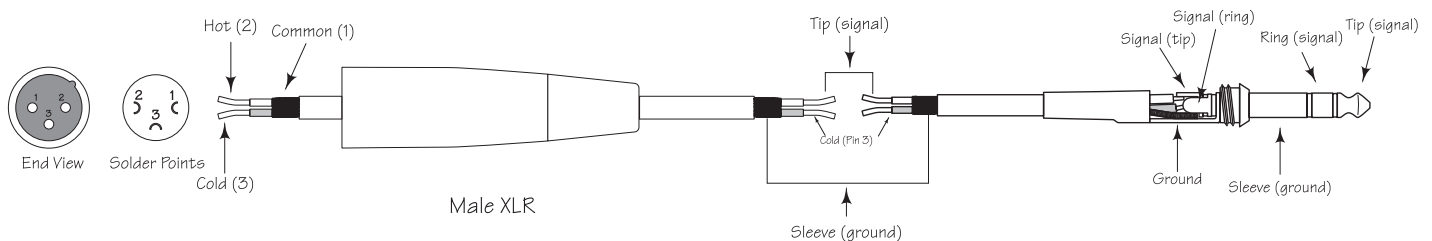
XLR to XLR Balanced



Unbalanced 1/4" Connector to RCA



XLR to Balanced 1/4-Inch



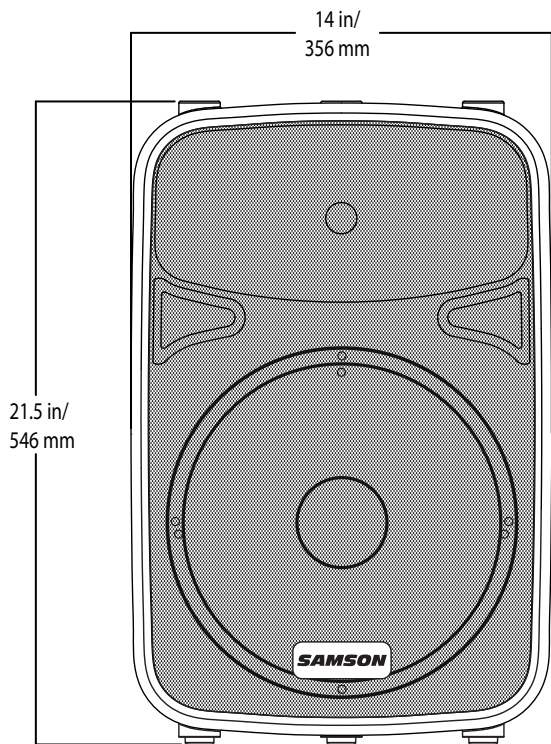
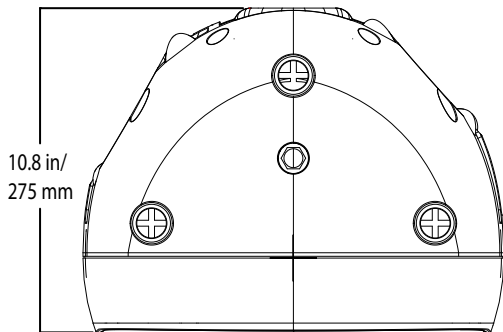
Specifications

		X12D	X15D
Output Power			
Low Frequency	RMS Power	400 W @ 8 ohms	
	Peak Power	800 W @ 8 ohms	
	THD	< 1 %	
High Frequency	RMS Power	100 W @ 8 ohms	
	Peak Power	200 W @ 8 ohms	
	THD	< 1 %	
Transducers			
Low Frequency	12" bass transducer, 3" voice coil		15" bass transducer, 3" voice coil
High Frequency	1.34" (34 mm) titanium compression driver, edge-wound copper voice coil		
Acoustic Performance			
Frequency Response (-3 dB)	58 Hz to 20 kHz		55 Hz to 20 kHz
Maximum SPL (Peak Power)	125 dB SPL @ 1 m		125 dB SPL @ 1 m
Horizontal Coverage Angle	90°		
Vertical Coverage Angle	60°		
Electronic Crossover			
Crossover Type	24 dB/oct Linkwitz-Riley		
Crossover Frequency	2.3 kHz		2.1 kHz
Input/Output			
Inputs	Balanced XLR & ¼" Connectors (Input 1 Mic/Line Level; Input 2 Line Level)		
Output	Balanced XLR Line Output		
Equalization Switches			
HPF	Flat, 80Hz, 120Hz		
EQ	Flat, Deep, Boost		
Power Supply			
Power Consumption	456 W max.		
AC Connector	3-pin IEC 250 VAC, 20 A male		
Fuse	100 - 127 VAC T6.3AH / 250 V		
	220 - 240 VAC T3.15AH / 250 V		
Dimensions and Weight			
Dimensions	in	14" L x 10.8" W x 21.5" H	17.75" L x 13.5" W x 27.5" H
	mm	356 mm L x 275 mm W x 546 mm H	450 mm L x 342 mm W x 698 mm H
Weight	lbs	28.5	41.5
	kg	12.8	19
Mounting			
Mounting Method	Integral 1 3/8" Pole Mount Receptacle		
Fly Point	1 x M10		

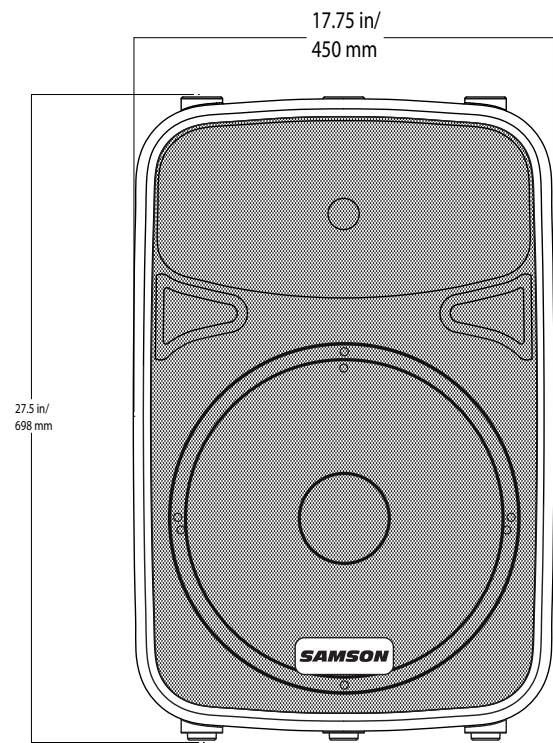
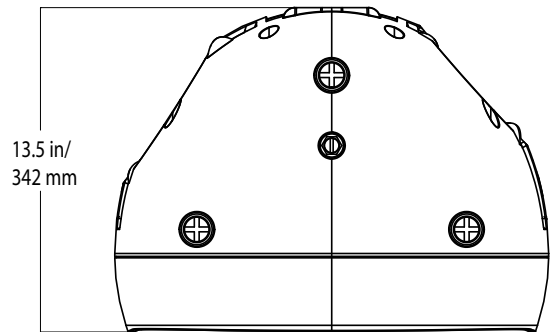
At Samson, we are continually improving our products, therefore specifications and images are subject to change without notice.

Dimensions

X12D



X15D



ENGLISH

FRANÇAIS

DEUTSCHE

ESPAÑOL

ITALIANO

Consignes de sécurité importantes



AVIS
RISQUE D'ÉLECTROCUTION -
NE PAS OUVRIR



Le triangle équilatéral renfermant un éclair terminé par une flèche a pour but d'alerter l'utilisateur sur la présence d'une "tension dangereuse" non isolée à l'intérieur du boîtier de l'appareil qui peut être d'une valeur suffisante pour présenter un risque d'électrocution.



Le triangle équilatéral renfermant un point d'exclamation a pour but d'alerter l'utilisateur sur la présence de consignes d'utilisation et de maintenance importantes dans la documentation jointe à l'appareil.



ATTENTION !

Pour prévenir le risque d'électrocution, ne pas se brancher sur secteur pendant que la grille est retirée.

AVERTISSEMENT : POUR REDUIRE LE RISQUE D'ELECTROCUTION, N'OTEZ PAS LE COUVERCLE NI LE DOS DU BOITIER. CET APPAREIL NE CONTIENT AUCUNE PIECE REMPLACABLE PAR L'UTILISATEUR. CONFIEZ TOUTES LES INTERVENTIONS D'ENTRETIEN A DES TECHNICIENS DE S.A.V. QUALIFIE.

1. Lire la présente notice.
2. Conserver la présente notice.
3. Respecter toutes les mises en garde.
4. Suivre les consignes.
5. Ne pas utiliser cet appareil près de l'eau.
6. Ne nettoyer qu'avec un chiffon sec.
7. Ne pas boucher les ouïes de ventilation. Installer en respectant la notice du fabricant.
8. Ne pas installer à proximité de sources de chaleur comme des radiateurs, bouches de chauffage, cuisinières ou autres appareils (amplificateurs compris) qui dégagent de la chaleur.
9. Ne pas défaire le dispositif de sécurité de la fiche polarisée ou à mise à la terre. Une fiche polarisée présente deux lames dont une plus large que l'autre. Une fiche à prise de terre présente deux lames et une troisième broche de mise à la terre. La lame large ou la troisième broche est prévue pour votre sécurité. S'il est impossible d'introduire la fiche fournie dans la prise de secteur, consulter un électricien pour remplacer la prise de secteur non conforme.
10. Protéger le câble électrique pour éviter de marcher dessus ou de le pincer, en particulier sur les fiches mâles, les prises de courant et à l'endroit où ils sortent de l'appareil.
11. N'employer que les fixations/accessoires indiqués par le fabricant.
12. Ne l'utiliser qu'avec le chariot, support, trépied, console ou plateau indiqué(e) par le fabricant ou vendu(e) avec l'appareil. Lors de l'utilisation d'un chariot, faire attention en déplaçant l'ensemble chariot/appareil afin d'éviter tout accident corporel en cas de renversement.
13. Débrancher cet appareil en cas d'orage ou de non-utilisation prolongée.
14. Toutes les interventions d'entretien doivent être confiées à des techniciens qualifiés. L'intervention doit impérativement avoir lieu lorsque l'appareil a été endommagé d'une manière quelconque, par ex. le câble ou la prise mâle d'alimentation est endommagé(e), un liquide s'est déversé ou des objets sont tombés à l'intérieur de l'appareil, l'appareil a été exposé à la pluie ou à l'humidité, ne fonctionne pas normalement ou est tombé.
15. Cet appareil ne doit pas être exposé aux gouttes ni aux éclaboussures ; ne poser sur l'appareil aucun objet rempli de liquide (par ex. un vase).
16. Attention ! Pour prévenir tout risque d'électrocution, faire correspondre la lame large de la fiche mâle à la fente large ; enfoncer à fond.
17. Assurer un bon climat de ventilation tout autour de l'appareil.
18. **INTERRUPTEUR MARCHE/ARRET** : Pour les produits disposant d'un interrupteur MARCHE/ARRET, cet interrupteur **NE COUPE PAS** la liaison au secteur.
19. **SECTIONNEUR SECTEUR** : la fiche mâle devra rester facilement accessible. Pour une installation encastrable en rack ou une installation où la fiche mâle n'est pas accessible, un interrupteur secteur omnipolaire à écart entre contacts d'au moins 3 mm sur chaque pôle devra être intégré à l'installation électrique du bâti ou de l'immeuble.



Consignes de sécurité importantes

Avis de la Federal Communications Commission (FCC)

1. Cet appareil est conforme au paragraphe 15 des Règles de la FCC. Le fonctionnement du dispositif est assujéti aux deux conditions suivantes :
 - (1) Cet appareil ne doit pas causer d'interférences nuisibles.
 - (2) Il doit supporter les interférences reçues, notamment celles pouvant entraîner un dysfonctionnement.
2. Les changements ou modifications non expressément validés par le responsable de la conformité risquent d'annuler l'autorisation de l'utilisateur à faire fonctionner les équipements.



Si vous souhaitez éliminer ce produit, ne le mettez pas aux ordures ménagères. Conformément à la législation, le ramassage des équipements électroniques se fait séparément pour en assurer le recyclage dans les règles de l'art.

Les ménages résidant dans les 28 Etats membres de l'U.E., en Suisse et en Norvège peuvent déposer gratuitement leurs appareils électroniques usagés dans les déchetteries agréées ou chez un revendeur (en cas d'achat d'un appareil neuf similaire).

Pour les pays non cités, n'hésitez pas à contacter votre collectivité locale pour vous renseigner sur le mode d'élimination en vigueur.

En agissant ainsi, vous serez assuré que votre appareil sera traité, récupéré et recyclé dans les règles, prévenant ainsi les effets néfastes potentiels sur l'environnement et la santé humaine.

Sommaire

Introduction	20
Caractéristiques techniques.	21
Prise en mains rapide	22
Schéma de façade arrière.	23
Etablissement des raccords	25
Câbles et Connecteurs	27
Caractéristiques techniques.	28
Dimensions	29

ENGLISH

FRANÇAIS

DEUTSCHE

ESPAÑOL

ITALIANO

Introduction

Vous venez d'acheter une enceinte amplifiée Samson Auro de qualité professionnelle. Merci ! Les enceintes Auro X12D et X15D sont des enceintes compactes et puissantes dotées de 1000 W de puissance bi-amplifiée intégrée. Les Auro X12D et X15D sont munis de hauts-parleurs de graves robustes à grand débattement respectivement de 12" et 15", ainsi que des hauts-parleurs à compression en titane de 1,34" à sortie 1". Les façades arrière présentent deux voies d'entrée XLR & ¼", chacune avec des réglages de volume indépendants. Elles sont également dotées d'un réglage de Volume Principal et de pré-réglages d'égaliseur et de filtre passe-haut (EQ et HPF) à 3 positions prévus pour n'importe quelle application. La Sortie de Ligne XLR vous permet d'installer "en marguerite" plusieurs enceintes Auro pour créer des systèmes de sonorisation plus étendus.

Les Auro X12D et X15D sont dotés d'un amplificateur 1000 watts de classe D léger et efficace et de la technologie de traitement du signal numérique R.A.M.P. de Samson. Le traitement du signal numérique R.A.M.P. assure une puissance de sortie maximale à réponse linéaire tout en offrant une protection à l'enceinte et aux composants.

La forme trapézoïdale de chaque enceinte lui permet d'être configurée en vue d'une utilisation soit en avant-scène, soit en enceinte de monitoring en demi-lune. En outre, les enceintes compactes s'empilent facilement en utilisant les pare-chocs intégrés ou peuvent être posées à la verticale en se servant des logements intégrés à 1" 3/8 à mâât.

Fabriquée en polypropylène à haute résistance aux chocs et à finition texturée résistante aux frottements, l'enceinte durable du système d'ampli de puissance Auro comporte une grille d'acier haute qualité qui offre une excellente protection contre l'usure pour un signal audio véritablement portable. Les enceintes de monitoring actives Auro sont l'idéal pour la musique en public, les DJs, les conférences et les applications à son installé, ou partout où l'on recherche une puissance solide et une qualité acoustique supérieure.

Dans ces pages, vous trouverez une description détaillée des caractéristiques techniques du système d'amplification de puissance Auro ainsi qu'une présentation de leurs façades avant et arrière, les consignes étape par étape pour leur mise en œuvre et leur utilisation, ainsi que toutes leurs caractéristiques techniques. Vous trouverez également une carte de garantie : n'oubliez pas de la remplir et de nous la renvoyer. Vous pourrez ainsi bénéficier de l'assistance technique en ligne et recevoir les dernières informations sur les produits Samson. En outre, consultez notre site web (www.samsontech.com) pour tous renseignements sur toute notre gamme d'appareils.

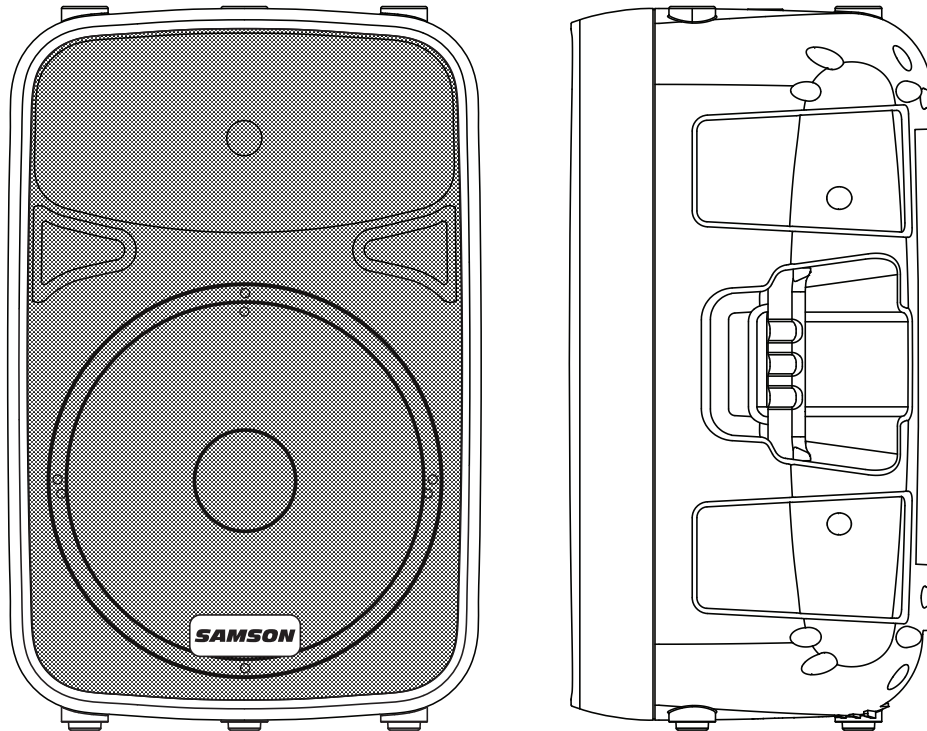
En bénéficiant d'un entretien adapté et d'une circulation de l'air suffisante, votre enceinte Auro vous donnera satisfaction pendant de nombreuses années. Prenez le temps de noter ci-dessous le numéro de série pour le retrouver ultérieurement.

Numéro de série : _____

Date d'achat : _____

Pour faire réparer votre matériel, vous devez tout d'abord obtenir un numéro de retour (RA) avant de le renvoyer à Samson. Sans ce numéro, le matériel ne sera pas accepté. N'hésitez pas à appeler Samson au 1-800-3SAMSON (1-800-372-6766) pour obtenir ce numéro avant de renvoyer votre appareil. Conservez, si possible, l'emballage d'origine afin de l'utiliser en cas de retour. Si vous avez acheté votre produit Samson ailleurs qu'aux Etats-Unis, contactez votre revendeur pour obtenir tous les renseignements sur la garantie et le service après-vente.

Caractéristiques techniques



- Enceintes actives de 1000 W à deux voies pour des applications de sonorisation en public
- Amplificateur de Classe D léger et ultra-efficace
- Amplificateurs de puissance 800 W LF + 200 W HF (pic)
- Réponse en fréquence plate ultra-large
- Des hauts-parleurs basse fréquence à longue portée personnalisés et robustes de 12"/15" assurent une réponse aux graves améliorée
- Enceinte de compression à membrane en titane de 1,34" à gorge de 1" pour une restitution haut de gamme régulière
- Technologie du processeur à signaux numériques R.A.M.P. DSP de Samson
- Réglage du Volume Principal à indicateur de crête
- Deux voies d'entrée combo XLR-1/4" à
- pré-réglages d'égaliseur et HPF à 3 positions indépendants
- Connecteurs de sortie de ligne XLR reliant aux armoires Auro multiples "en marguerite"
- Filtre électronique interne synchronisé 24 dB/octave
- L'enceinte de monitoring à 30 et 45 degrés pivote pour assurer une couverture de proximité et plus éloignée
- Logement à pied d'enceinte standard de 1" 3/8 (35 mm)
- Conception polyvalente transportable à poignées latérales intégrées
- Modèle à bass reflex ajusté porté pour basses fréquences étendues
- Boîtier en polypropylène massif de conception résistante aux chocs

Prise en mains rapide

1. Tourner le réglage de Niveau situé sur la façade arrière à fond en sens inverse horaire.
2. Mettre les boutons HPF et EQ sur Flat (figure 1).
3. Mettre l'interrupteur Marche/Arrêt sur "OFF" (ARRET).
4. Raccorder soit un signal d'entrée de ligne entre votre table de mixage (ou autre source de signal audio) ou un microphone et le jack d'Entrée 1, soit un signal d'entrée de ligne vers le jack d'Entrée 2 sur la façade arrière de l'Auro X12D/X15D (figure 2). Si l'on utilise un microphone, amener le Sélecteur Mic/Line sur micro.
5. Brancher le câble d'alimentation fourni sur l'Entrée d'Alim. Secteur située à l'arrière de l'enceinte. Brancher le câble d'alimentation dans une prise de secteur (figure 4).
Remarque : Toujours s'assurer que la prise de secteur soit configurée à la bonne tension, comme indiqué sur la façade arrière de l'enceinte Auro.
6. Mettre l'interrupteur Marche/Arrêt de l'Auro sur "Marche".
7. Monter le réglage de VOL Principal.
8. Faire passer un signal audio provenant de votre table de mixage, ou parlez dans le micro (figure 4).
9. Monter lentement le réglage de niveau de l'Auro jusqu'à parvenir au niveau désiré.
10. Si le son sortant des enceintes paraît en distorsion ou si vous constatez que le témoin FAULT clignote souvent, réduisez légèrement le réglage du Niveau d'Entrée (Input Level) de l'Auro X12D/X15D jusqu'à ce que le témoin ne s'allume plus. Pour augmenter le niveau de sortie de l'enceinte, montez le Réglage Master VOL (VOL Principal).

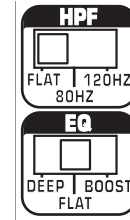


figure 1

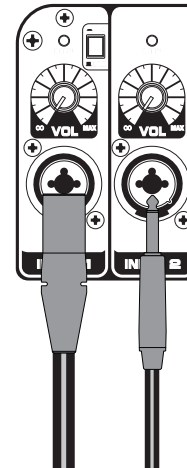


figure 2

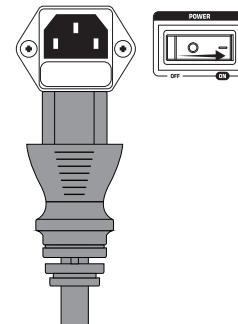


figure 3

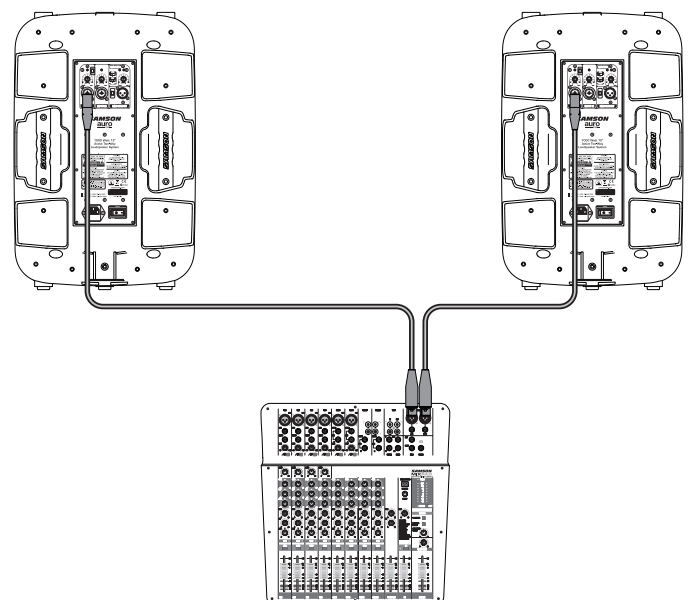


figure 4

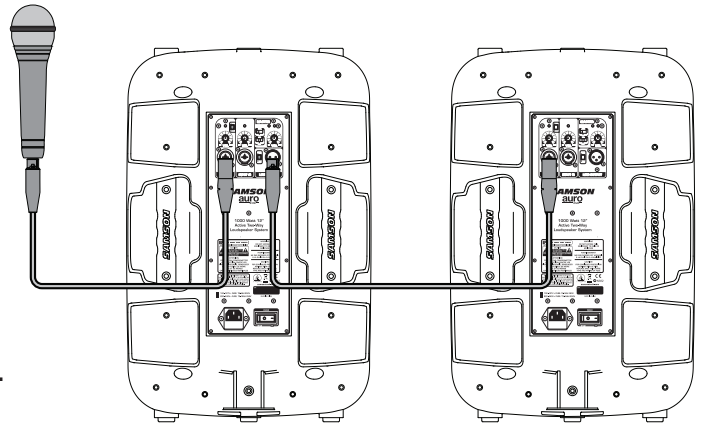
Schéma de la façade arrière

10. **Bouton HPF** - Il sert à régler la fréquence du Filtre Passe-Haut de l'enceinte. En utilisant l'enceinte Auro avec un caisson d'extrêmes-graves, régler le bouton sur 80 Hz ou 120 Hz selon les caractéristiques techniques du caisson d'extrêmes-graves. Il est également conseillé de régler le HPF sur 120 Hz lorsqu'on se sert de l'enceinte Auro comme d'une enceinte de monitoring au sol pour limiter l'accumulation de basses fréquences sur scène.
11. **Témoin LIMITER** - Ce témoin LED JAUNE s'allume lorsque l'ampli est proche du point d'écrêtage et que le limiteur est enclenché. Si le témoin LIMITER s'allume souvent, réduire le réglage de VOL. Principal (Master VOL) ou les réglages de VOL. d'ENTREE (INPUT VOL) situés sur l'enceinte Auro ou diminuer le signal à la source jusqu'à ce que le témoin s'éteigne ou qu'ils ne s'allument qu'occasionnellement avec des pointes de signal élevées.
12. **Témoin FAULT (Anomalie)** - Ce témoin LED s'allume en ROUGE lorsque l'entrée est en surcharge, que l'ampli passe en surchauffe ou que d'autres problèmes ont été détectés. Si le témoin FAULT s'allume à cause d'une surchauffe de l'ampli, l'amplificateur limitera le signal audio et réduira le niveau de sortie. Lorsque l'appareil refroidira, le témoin FAULT s'éteindra et l'amplificateur se remettra à monter le niveau.
13. **Sortie de Ligne** - Connecteur XLR mâle servant à relier plusieurs enceintes Auro.
REMARQUE : En reliant une enceinte à la Sortie de Ligne de l'Auro X12D ou X15D, il est important d'allumer en premier l'enceinte Auro principale, puis d'allumer l'enceinte reliée. En éteignant le système, il est conseillé d'éteindre d'abord toutes les enceintes reliées, puis d'éteindre l'enceinte Auro principale.
14. **Bouton MIX 1/2 & THRU** - Ce bouton sert à sélectionner le signal envoyé vers la Sortie de Ligne. Lorsque ce sélecteur est en position relevée (MIX 1/2), le signal sur la Sortie de Ligne est un mélange des deux signaux Entrée 1 et Entrée 2. Lorsque ce sélecteur est en position basse (THRU), la Sortie de Ligne ne laisse passer que le signal d'Entrée 2.
15. **Bouton Marche/Arrêt** - Cet interrupteur à bascule enclenche et coupe l'alimentation principale de l'Auro. Ce bouton s'allume en ROUGE lorsque l'ampli est activé.
REMARQUE : Il est important de ne pas oublier la Règle d'Or du son... "DERNIER ALLUME, PREMIER ETEINT." En clair, cela signifie que pour allumer votre système, vous devrez toujours allumer vos enceintes amplifiées EN DERNIER, et que pour éteindre votre système, vous devez éteindre vos enceintes amplifiées EN PREMIER. Ceci vous permet d'éviter les forts claquements dus au courant d'appel à la mise sous tension, ou à la mise hors tension, ce qui risque parfois d'endommager les enceintes.
16. **Cache à fusible** - Le fusible se trouve derrière le cache à fusible. Toujours remplacer les fusibles par des fusibles de même type.
17. **Entrée AC (secteur) – Brancher ici le câble de secteur standard CEI à prise de terre joint à la livraison. Remarque : Ne jamais débrancher le contact de terre de la prise mâle. C'est dangereux et cela peut provoquer une électrocution !**

Etablissement des raccords

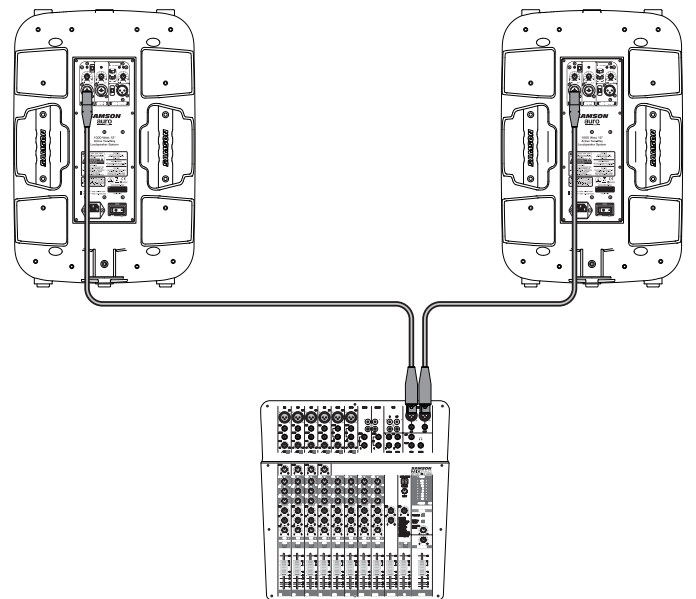
Utilisation d'un micro

- Vérifiez que l'interrupteur Marche/Arrêt de l'Auro X12D/X15D est bien sur Arrêt.
- Tourner le réglage de NIVEAU à fond en sens inverse horaire sur Arrêt.
- Brancher le câble d'alimentation sur une prise de secteur.
- A l'aide d'un câble XLR standard, brancher un micro dans l'ENTREE 1 XLR de l'Auro.
- Mettre le sélecteur MIC/LINE sur MIC (en bas).
- Mettre l'interrupteur MIX 1/2 & THRU sur MIX 1/2.
- Mettre l'interrupteur Marche/Arrêt sur "MARCHE".
- Tout en parlant ou en chantant dans le micro, montez lentement le réglage LEVEL (Niveau) jusqu'à ce que vous parveniez au niveau désiré.
- Pour renforcer davantage le son, vous pouvez faire fonctionner plusieurs enceintes de monitoring en utilisant la Sortie de Ligne pour relier en guirlande une Auro à une autre.



Pour utiliser un signal de niveau de ligne stéréo

- Vérifier que l'interrupteur Marche/Arrêt de l'Auro X12D/X15D est bien sur Arrêt.
- Tourner le réglage de NIVEAU à fond en sens inverse horaire sur Arrêt.
- Brancher le câble d'alimentation sur une prise de secteur.
- A l'aide de câbles XLR ou 1/4" standard, relier les signaux de niveau de ligne entre une table de mixage ou un clavier et les Entrées Auro.
- Mettre l'interrupteur Marche/Arrêt sur "MARCHE".
- Maintenant, faire passer un signal audio de votre table de mixage (par ex. de la musique provenant d'un lecteur MP3) tout en montant lentement le réglage Niveau de l'Auro jusqu'à ce que le niveau désiré soit atteint.



ENGLISH

FRANÇAIS

DEUTSCHE

ESPAÑOL

ITALIANO

Positionnement de l'enceinte

A chaque fois où c'est possible, c'est une bonne idée de monter les enceintes au-dessus des têtes de l'auditoire. Les enceintes Auro présentent des logements intégrés à mât de 1" 3/8 à vis de blocage compatibles avec les pieds d'enceintes de divers fabricants. Dans un cadre plus restreint comme une cafétéria d'école, une bibliothèque ou un kiosque de galerie commerciale, vous pourrez également utiliser l'enceinte Auro dans l'une des positions d'enceinte de monitoring basculée en arrière, qui améliorera la projection des enceintes et supprimera éventuellement la nécessité de pieds d'enceintes.

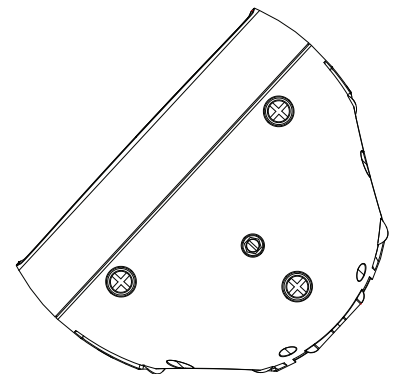
Remarque : Si vous vous servez d'un support d'enceinte sur mât, assurez-vous que le mât puisse supporter le poids de l'enceinte Auro.

Remarque : Toujours se faire aider par quelqu'un d'autre pour installer l'enceinte Auro sur un support d'enceinte, ou pour régler le support pendant que l'enceinte est montée sur le support.



Utilisation de l'Auro X12D/X15D comme enceinte de monitoring au sol

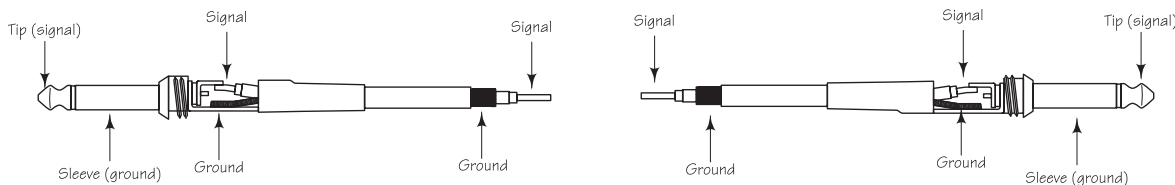
L'Auro X12D/X15D est une solution idéale pour servir d'enceinte de monitoring de scène ; grâce à sa conception unique, deux positions d'enceinte de monitoring en demi-lune sont possibles. Lorsqu'elle est disposée sur le côté, pavillon hautes fréquences tourné vers la gauche de l'enceinte, l'Auro bascule à 30 degrés d'angle, optimisant les performances lorsqu'elle est utilisée sur une grande scène. Lorsqu'elle est disposée sur le côté, pavillon hautes fréquences tourné vers la droite de l'enceinte, l'Auro bascule à 45 degrés d'angle, optimisant les performances lorsqu'elle est utilisée sur des petites scènes.



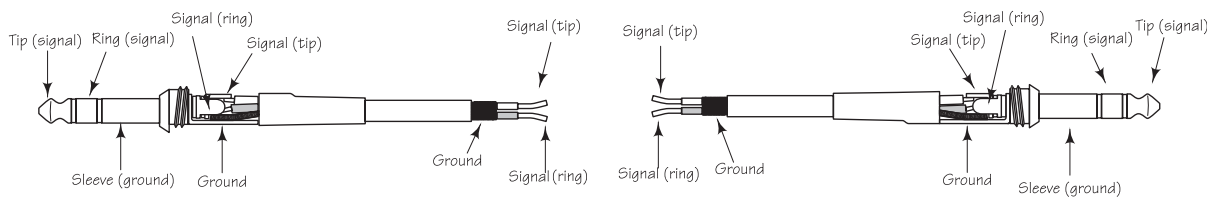
Câbles et Connecteurs

L'Auro X12D/X15D est munie d'entrées et de sorties à balance, ce qui fait qu'il est admissible de connecter des signaux à balance et sans balance. Toutes les fois où c'est possible, utiliser des raccords à balance vers les autres équipements pour supprimer les interférences.

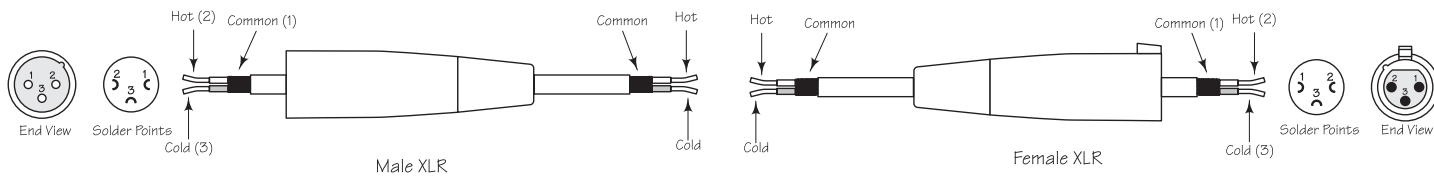
Unbalanced 1/4" Connector



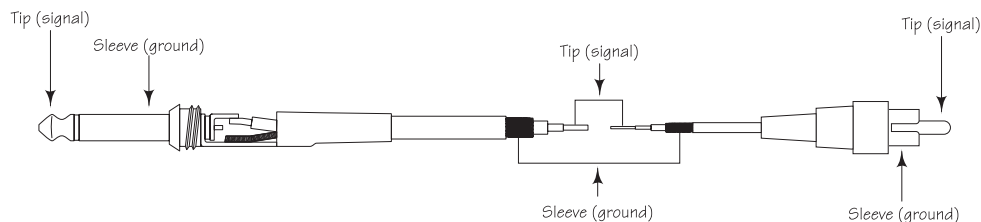
Balanced TRS 1/4" Connector



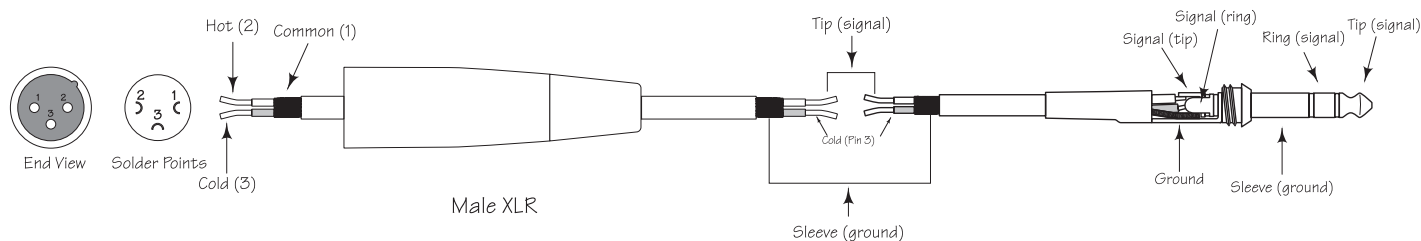
XLR to XLR Balanced



Unbalanced 1/4" Connector to RCA



XLR to Balanced 1/4-Inch



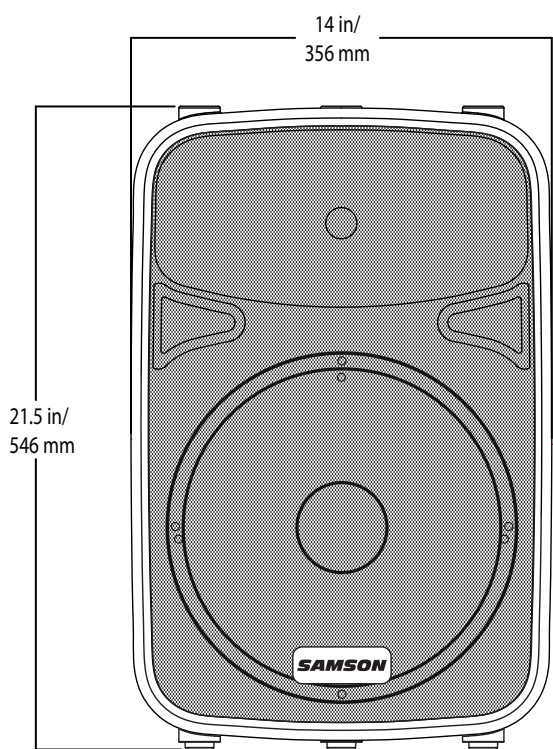
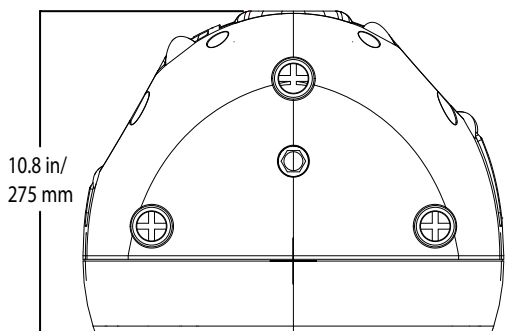
Caractéristiques techniques

		X12D	X15D
Puissance de sortie			
Basse fréquence	Puissance efficace	400 W à 8 ohms	
	Puissance maxi	800 W à 8 ohms	
	THD	< 1 %	
Haute Fréquence	Puissance efficace	100 W à 8 ohms	
	Puissance maxi	200 W à 8 ohms	
	THD	< 1 %	
Capteurs			
Basse fréquence	Capteur de graves 12", enroulement de voix 3"		Capteur de graves 15", enroulement de voix 3"
Haute Fréquence	haut-parleur à compression en titane de 1,34" (34 mm), bobine de cuivre à voix enroulée en bordure		
Performances acoustiques			
Réponse en fréquence (-3 dB)	58 Hz à 20 kHz		55 Hz à 20 kHz
Niv. pression acoustique maxi (puissance maxi)	NPA de 125 dB à 1 m		NPA de 125 dB à 1 m
Angle de Couverture Horizontale	90°		
Angle de Couverture Verticale	60°		
Filtre électronique			
Type de filtre	24 dB/oct Linkwitz-Riley		
Fréquence de coupure	2,3 kHz		2,1 kHz
Entrée/Sortie			
Entrées	Connecteurs XLR & ¼" à balance (Entrée 1 Mic/Niveau de ligne ; Entrée 2 Niveau de Ligne)		
Sortie	Sortie de ligne XLR à balance		
Boutons d'Egalisation			
HPF	Plat, 80Hz, 120Hz		
Egaliseur	Plat, Profond, Amplifié		
Alimentation			
Puissance absorbée	456 W maxi		
Connecteur de secteur	mâle à 3 broches CEI 250 V , 20 A		
Fusible	100 - 127 V T6,3 AH / 250 V		
	220 - 240 V T3,15 AH / 250 V		
Dimensions et poids			
Dimensions	pouces	(l x p x h) 14 x 10,8 x 21,5"	(l x p x h) 17,75 x 13,5 x 27,5"
	mm	(l x p x h) 356 x 275 x 546 mm	(l x p x h) 450 x 342 x 698 mm
Poids	(livres)	28,5	41,5
	kg	12,8	19
Fixation			
Méthode de fixation	Logement à montage sur mât intégré de 1" 3/8		
Fly Point	1 x M10		

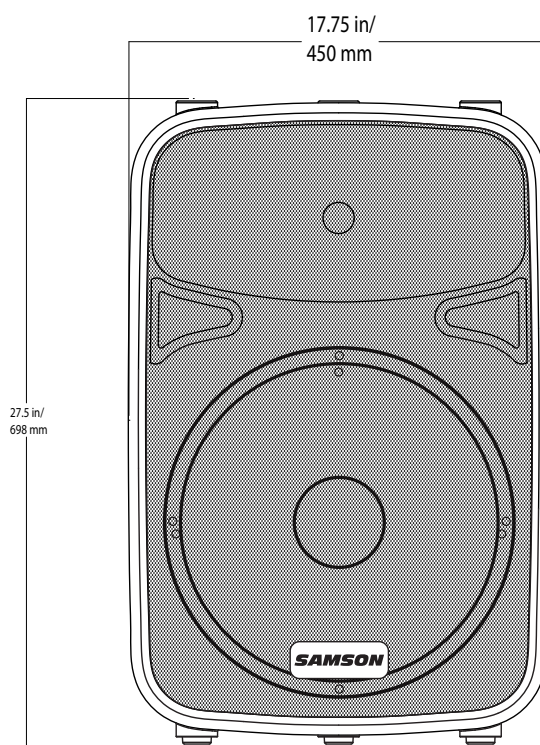
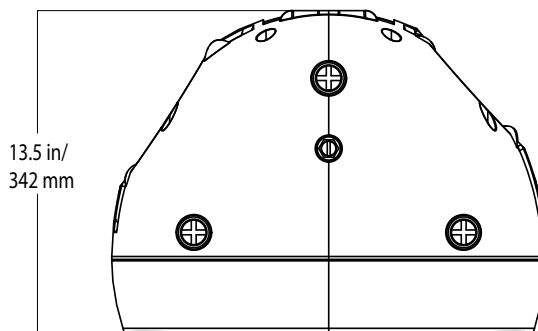
Chez Samson, nous améliorons nos produits en permanence ; certaines images et caractéristiques techniques sont donc susceptibles d'évoluer sans préavis.

Dimensions

X12D



X15D



ENGLISH

FRANÇAIS

DEUTSCHE

ESPAÑOL

ITALIANO

Wichtige Sicherheitsinformationen



ACHTUNG
GEFAHR EINES STROMSCHLAGS
NICHT ÖFFNEN



Dieser Blitz mit einem Pfeil als Symbol in einem gleichseitigen Dreieck soll den Benutzer auf das Vorhandensein von "gefährlicher Spannung" im Gehäuse des Produkts hinweisen. Diese Spannung ist unter Umständen groß genug, um ein Risiko für einen elektrischen Schlag darzustellen.



Das Ausrufungszeichen in einem gleichseitigen Dreieck soll den Benutzer in der mit dem Gerät mitgelieferten Dokumentation auf eine wichtige Betriebs- oder Wartungsanweisung hinweisen.



ACHTUNG

Um die Gefahr eines elektrischen Schlages zu vermeiden, schließen Sie das Gerät nicht ans Stromnetz an, während ein Gitter entfernt ist.

WARNUNG: UM DAS RISIKO EINES ELEKTRISCHEN SCHLAGS ZU REDUZIEREN ÖFFNEN SIE NICHT DIE HINTERE ABDECKUNG, DA KEINE VOM BENUTZER ZU WARTENDEN TEILE VORHANDEN SIND. ÜBERGEBEN SIE DAS GERÄT NUR QUALIFIZIERTEM PERSONAL ZUR REPARATUR.

1. Lesen Sie diese Anweisungen.
2. Bewahren Sie diese Anweisungen auf.
3. Beachten Sie alle Warnungen.
4. Folgen Sie allen Anweisungen.
5. Benutzen Sie das Gerät nicht in der Nähe von Wasser.
6. Reinigen Sie es nur mit einem trockenen Tuch.
7. Verschließen Sie keine Ventilationsöffnungen. Installieren Sie das Gerät gemäß den Anweisungen des Herstellers.
8. Installieren Sie es nicht in der Nähe von Wärmequellen wie Radiatoren, Heizkörpern, Öfen oder anderen Geräten (einschließlich Verstärker), die Hitze erzeugen.
9. Umgehen Sie nicht die Sicherheitsfunktion des polarisierten oder geerdeten Steckers. Ein polarisierter Stecker besteht aus zwei Flachkontakten, wobei einer breiter ist als der andere. Ein Stecker mit Erdung besteht aus zwei Flachkontakten und einem dritten runden Erdungsstift. Der breite Flachkontakt und der Erdungsstift werden aus Sicherheitsgründen integriert. Wenn der mitgelieferte Stecker nicht in Ihre Steckdose passt, bitten Sie einen Elektriker, die obsoletere Steckdose auszutauschen.
10. Schützen Sie das Stromversorgungskabel davor, dass man darauf tritt und dass es geknickt wird, vor allem an den Steckern, Buchsenteilen und an den Punkten, an denen das Kabel aus dem Gerät kommt.
11. Benutzen Sie nur die vom Hersteller spezifizierten Zubehörteile.
12. Benutzen Sie nur Wagen, Ständer, Stative, Halter oder Tische, die vom Hersteller angegeben werden oder passend zum Gerät erhältlich sind. Wenn ein Wagen eingesetzt wird, sollten Sie vorsichtig sein, wenn Sie den Wagen und das Gerät bewegen, um Verletzungen durch Umkippen zu vermeiden.
13. Ziehen Sie den Stecker des Geräts bei Gewittern oder wenn es längere Zeit nicht benutzt wird aus der Steckdose.
14. Übergeben Sie das Gerät zur Reparatur nur qualifiziertem Personal. Wenn das Gerät in irgendeiner Weise beschädigt wurde, zum Beispiel wenn das Stromversorgungskabel oder der Stecker beschädigt sind, Flüssigkeit ausgelaufen ist oder ein Objekt in das Gerät gefallen ist oder das Gerät Regen oder Feuchtigkeit ausgesetzt wurde, es nicht normal funktioniert oder gefallen ist, muss es von einer Fachkraft werden.
15. Dieses Gerät darf nicht Wasserspritzern oder einem Wasserstrahl ausgesetzt werden und es darf keine Vase oder ein mit Wasser gefülltes Objekt auf das Gerät gestellt werden.
16. Achtung - um einen elektrischen Schock zu vermeiden, muss der breite Flachkontakt vollkommen in die breite Buchse eingeführt werden.
17. Bitte achten Sie darauf, dass die gesamte Umgebung um das Gerät gut gelüftet ist.
18. HAUPTSCHALTER EIN/AUS SCHALTER: Bei Produkten mit einem Hauptschalter unterbricht dieser Schalter NICHT die Verbindung zum Stromnetz.
19. STROMKABEL ABKLEMMEN: Der Stecker sollte immer betriebsbereit sein. Bei einer Rack Montage oder bei Installationen, bei denen der Stecker nicht erreichbar ist muss ein Hauptschalter im Rack oder dem Gebäude / Gerüst eingebaut werden, der alle Phase unterbricht und einen Kontaktabstand von wenigstens 3mm hat.



53125A

Wichtige Sicherheitsinformationen

FCC Hinweis

1. Dieses Gerät entspricht Teil 15 der FCC Bestimmungen. Der Betrieb unterliegt folgenden beiden Bedingungen:
 - (1) Dieses Gerät darf keine schädigenden Störungen verursachen.
 - (2) Dieses Gerät muss alle Störungen vertragen, einschließlich Störungen, die unerwünschte Funktionen verursachen können.
2. Änderungen oder Modifikationen, die nicht ausdrücklich von der Institution genehmigt wurden, die für die Konformität mit den geltenden Verordnungen verantwortlichen ist, können zum Verlust der Betriebserlaubnis des Geräts führen.



Wenn Sie das Produkt entsorgen möchten, geben Sie es nicht in den Hausmüll. In Übereinstimmung mit der Gesetzgebung existiert ein separates Sammelsystem für elektrische und elektronische Produkte. Diese Gesetze fordern eine angemessene Behandlung, Verwertung und Wiederaufbereitung solcher Geräte.

Private Haushalte in den 28 Mitgliedsstaaten der EU, in der Schweiz und Norwegen können ihre elektronischen Produkte kostenlos an eine Sammelstelle oder den Händler abgeben (wenn Sie ein ähnliches Produkt wieder erwerben).

Verbraucher in Ländern, die nicht oben genannt werden, kontaktieren bitte ihre lokalen Behörden, um Informationen über eine korrekte Entsorgung zu erhalten.

Sie werden so sicherstellen, dass Ihr Produkt der notwendigen Behandlung, Verwertung und Wiederaufbereitung unterzogen wird und eventuelle negative Auswirkungen auf die Umwelt und die Gesundheit vermieden werden.

Inhaltsverzeichnis

Einführung.	34
Funktionen	35
Quick Start Anleitung.	36
Layout der Rückseite	37
Verbindungen herstellen	39
Kabel und Anschlüsse	41
Spezifikationen.	42
Abmessungen	43

ENGLISH

FRANÇAIS

DEUTSCHE

ESPAÑOL

ITALIANO

Einführung

Vielen Dank dafür, dass Sie einen professionellen Samson Auro Aktiv Lautsprecher erworben haben. Der Auro X12D und X15D sind kompakte und leistungsstarke Lautsprecher mit 1.000 Watt doppelt verstärkter Onboard Stromversorgung. Der Auro X12D und der X15D verfügen über einen leistungsstarken Langhub Woofer von respektive 12" und 15" Durchmesser mit Titan Kompressionstreiber und 1" Ausgang. Auf der Rückseite befinden sich zwei XLR & ¼" Eingangskanäle, ein jeder mit unabhängiger Lautstärkeregelung. Sie verfügen ebenfalls über einen Master- Lautstärkeregelung sowie ein 3-Positionen EQ und HPF Presets, die für alle Anwendungen geeignet sind. Der XLR Line Ausgang ermöglicht Ihnen, mehrere Auro Schränke in "daisy-chain" Form zusammen zu schalten, um ein noch leistungsstärkeres Sound System zu erstellen.

Der Auro X12D und der X15D sind mit einem effizienten 1.000 Watt Class-D Verstärker sowie Samsons R.A.M.P. ausgestattet. Digital Signal Processing (DSP) Technologie. Der R.A.M.P. DSP garantiert maximalen Output mit linearem Frequenzgang, während gleichzeitig der Lautsprecher und die Komponenten geschützt werden.

Die Trapezform eines jeden Lautsprechers ermöglicht es, dass er sowohl für den Front-of-House Einsatz konfiguriert als auch als keilförmiger Monitor eingesetzt werden kann. Darüber hinaus können die kompakten Lautsprecher mit Hilfe der integrierten Stoßfängern leicht gestapelt oder mit den integralen 1 3 / 8" Ständer-Aufnahmen auf Ständern montiert werden.

Das haltbare Gehäuse eines jeden Auro PA Systems besteht aus schlagfestem Polypropylen mit einer abriebfesten Strukturlackierung und verfügt über ein schweres Edelstahl Gitter, das einen hervorragenden Schutz gegen Abnutzung für wirklich tragbares Audio bietet. Die aktiven Auro Monitore sind ideal für Live-Musik, DJs und installierte Sound Anwendungen, oder überall dort, wo wirkliche Leistung und überlegene Klangqualität gewünscht sind.

Auf diesen Seiten werden Sie eine detaillierte Beschreibung der Eigenschaften und Funktionen des Auro PA Systems sowie eine Tour durch die Elemente der Vorderseite und Rückseite, eine Schritt-für-Schritt Anleitung durch das Setup und den Betrieb vorfinden sowie eine umfangreiche Liste der Spezifikationen. Sie werden ebenfalls im Lieferumfang eine Garantiekarte vorfinden — vergessen Sie bitte nicht, sie auszufüllen und einzusenden, so dass Sie den technischen Support in Anspruch nehmen können und wir Ihnen aktualisierte Informationen über dieses und andere Samson Produkte zusenden können. Besuchen Sie ebenfalls unsere Website (www.samsontech.com), um Informationen über unser komplettes Produktangebot zu erhalten.

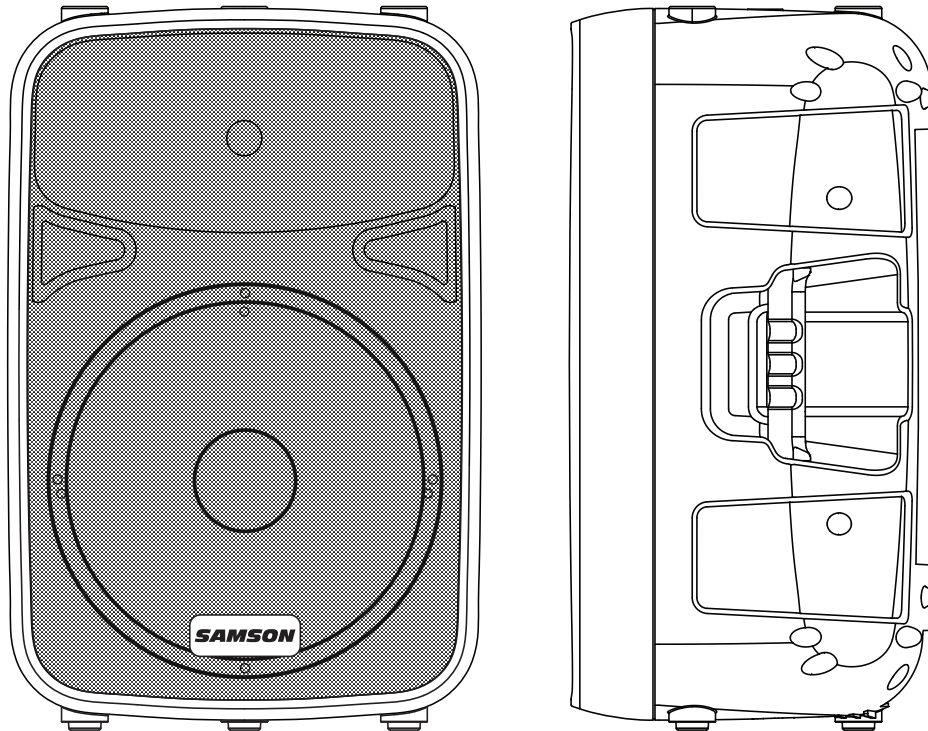
Mit der richtigen Pflege und Wartung werden Sie Ihren Auro Lautsprecher viele Jahre lang problemlos einsetzen können. Wir empfehlen Ihnen, die Seriennummer im unten dafür vorgesehenen Bereich zu notieren, um sie später zur Hand zu haben.

Seriennummer: _____

Kaufdatum: _____

Falls Ihre Einheit je eine Reparatur benötigen sollte, ist eine Return Authorization (RA) Nummer [Rücksende-Genehmigungsnummer] erforderlich, bevor Sie Ihr Gerät an die Samson schicken. Ohne diese Nummer wird das Gerät nicht angenommen. Bitte rufen Sie Samson unter 1-800-3SAMSON (1-800-372-6766) an und erbitten Sie eine RA Nummer, bevor Sie die Einheit einschicken. Bitte bewahren Sie das originale Verpackungsmaterial auf und schicken Sie das Gerät wenn möglich in der originalen Verpackung ein. Wenn Sie Ihr Samson Produkt außerhalb der Vereinigten Staaten erworben haben, kontaktieren Sie bitte Ihren lokalen Händler für Informationen zu Garantie und Reparaturen.

Funktionen



- Aktive 1.000 Watt Zweiwege Lautsprecher für Live Sound Anwendungen
- Leichter, ultra-effizienter Class-D Verstärker
- 800W LF + 200W HF Leistungsverstärker (Peak)
- Ultraweiter flacher Frequenzgang
- Maßgeschneiderte, robuste 12"/15" Langhub Tieftöner liefern verbesserten Bass Sound
- 1.34" Titan Hochtöner mit 1" Öffnung für eine sanfte High-end Wiedergabe
- Samsons R.A.M.P. DSP Technologie
- Master Lautstärkereglер mit Peak Indikator
- Zwei XLR-1/4" Kombi Eingangskanäle mit unabhängigen
- 3-Positionen EQ und HPF Presets
- XLR Line Ausgangsanschlüsse für eine mehrfache "daisy-chain" Auro Lautsprecher Schaltung
- Interne 24 dB/Oktav zeitlich ausgerichtete Frequenzweiche
- 30- und 45- Grad Monitor Winkel für nahe und weite Deckung
- Integrierte 1 3/8 Zoll (35 mm) Aufnahme für Ständer- Montage
- Vielseitiges, tragbares Design mit integrierten Seitengriffen
- Abgestimmtes portiertes Bassreflex- Design für erweiterte Low-End
- Solides Polypropylen Gehäuse auf Basis einer stoßfesten Bauweise

Quick Start Anleitung

1. Drehen Sie den Level Regler auf der Rückseite gegen den Uhrzeigersinn.
2. Stellen Sie den HPF und EQ Schalter auf die Flat Positionen (Abbildung 1).
3. Schalten Sie den Hauptschalter auf OFF.
4. Schließen Sie entweder ein Line Signal vom Mixer (oder einer anderen Audioquelle) oder ein Mikrofon an die Input 1 Buchse oder ein Line-Level Signal an die Input 2 Buchse an der Rückseite des Auro X12D/ X15D (Abbildung 2). Wenn Sie ein Mikrofon verwenden, stellen Sie den Mic / Line Schalter auf die Position des Mikrofons.
5. Schließen Sie das mitgelieferte Netzkabel an den Netzanschluss, der sich an der Rückseite des Lautsprechers befindet. Stecken Sie das Netzkabel in eine Steckdose (Abbildung 4).
Anmerkung: Achten Sie immer darauf, dass die Steckdose, an die Sie dieses Gerät anschließen, die richtige Spannung führt, die auf der Rückseite des Auro Lautsprechers angegeben ist.
6. Schalten Sie den POWER Schalter in die ON Position.
7. Drehen Sie den Master VOL Regler auf.
8. Leiten Sie ein Audiosignal von Ihrem Mischpult in das Gerät oder sprechen Sie in das Mikrofon (Abbildung 4).
9. Erhöhen Sie langsam die Lautstärke des Auro Lautsprechers, bis Sie das gewünschte Niveau erreicht haben.
10. Wenn sich der Ton des Lautsprechers verzerrt anhört oder die FAULT Anzeige häufig aufblinkt, drehen Sie den Input Level Regler am Auro X12D/X15D ein wenig herunter, bis der Indikator nicht mehr aufleuchtet. Um den Ausgangspegel des Lautsprechers zu erhöhen, heben Sie den Master VOL Regler etwas an.

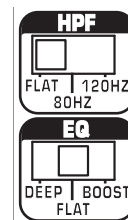


Abbildung 1

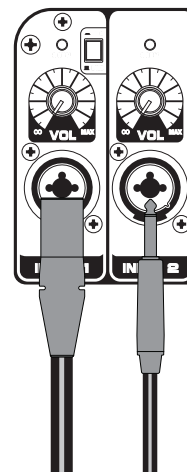


Abbildung 2

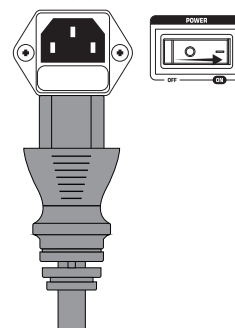


Abbildung 3

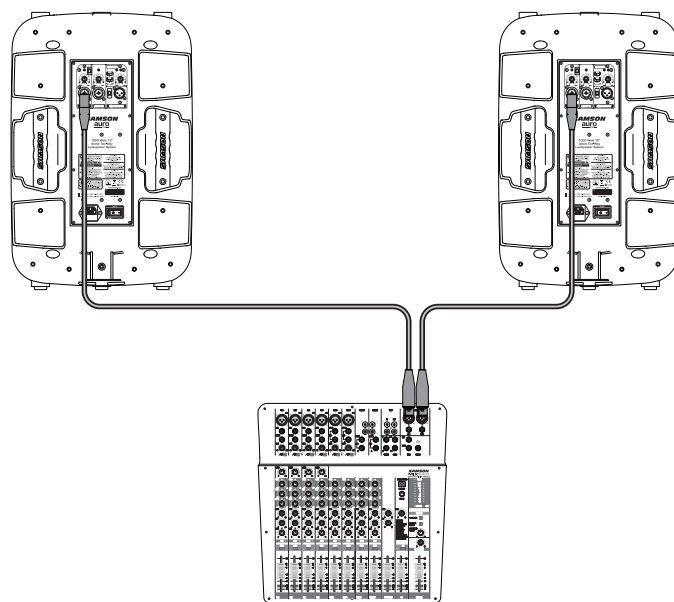
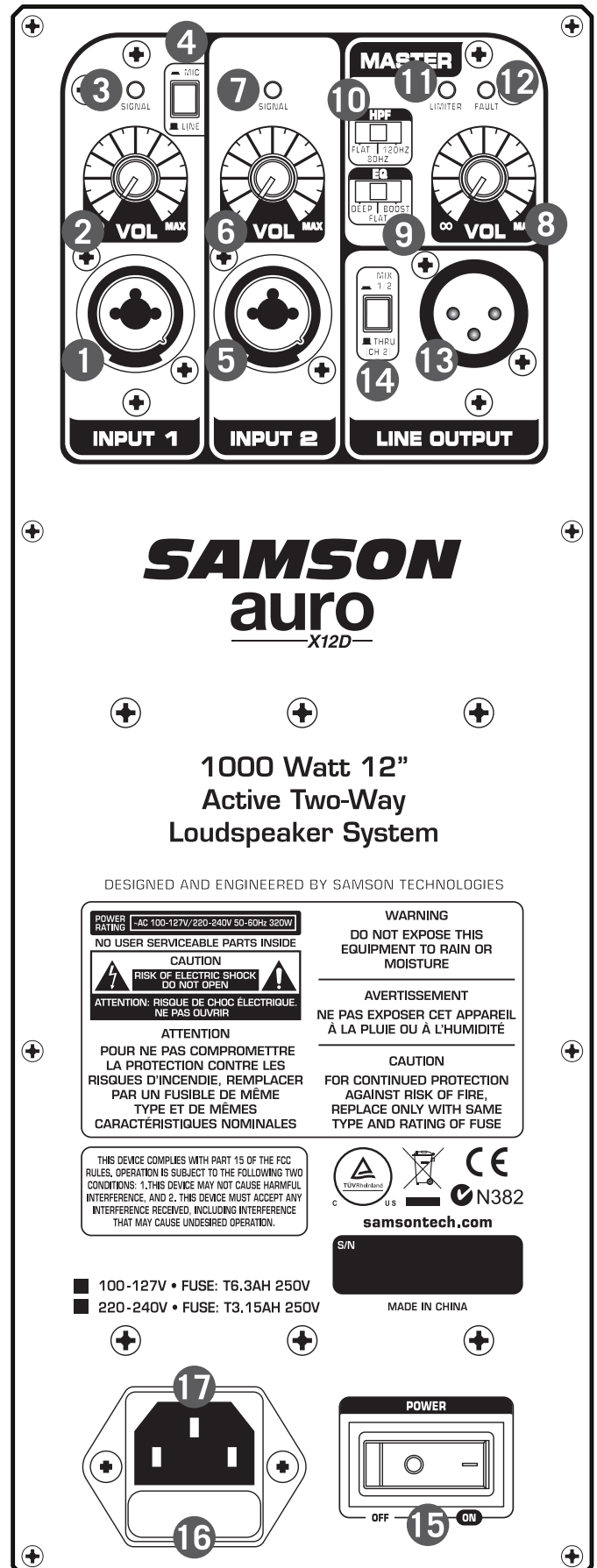


Abbildung 4

Layout der Rückseite

- 1. XLR und 1/4" Eingangsanschluss (Input 1)**
- Dieser Kombi XLR und 1/4" Anschluss kann sowohl symmetrische als auch unsymmetrische Mikrofon und Line Level Signale annehmen. An den 1/4" Phone Eingang können Stecke vom Typ TS oder TRS angeschlossen werden.
- 2. VOL Regler (Input 1)** - Dieser Regler regelt die Lautstärke des Input 1 Kanals.
- 3. SIGNAL Indikator (Input 1)** - Dieser GRÜNE LED Indikator zeigt, wenn er aufleuchtet, dass ein Signal am Input 1 anliegt, unabhängig von der Input 1 VOL Reglereinstellung.
- 4. Mic / Line Schalter (Input 1)** - Die MIC Position ändert die Verstärkung der Input 1 Buchse auf MIC Niveau. Die LINE Position reduziert die Verstärkung der Buchse um 26dB auf Line Pegel.
- 5. XLR und 1/4" Eingangsanschluss (Input 2)**
- Dieser Kombi XLR und 1/4" Anschluss kann sowohl symmetrische als auch unsymmetrische Line Level Signale annehmen. An den 1/4" Phone Eingang können Stecke vom Typ TS oder TRS angeschlossen werden.
- 6. VOL Regler (Input 2)** - Dieser Regler regelt die Lautstärke des Input 2 Kanals.
- 7. SIGNAL Indikator (Input 2)** - Dieser GRÜNE LED Indikator zeigt, wenn er aufleuchtet, dass ein Signal am Input 2 anliegt, unabhängig von der Input 2 VOL Reglereinstellung.
- 8. Master VOL Regler** - Dieser Regler stellt den gesamten Signalpegel am Eingang des internen Leistungsverstärkers ein.
- 9. EQ Schalter** - Der Auro DSP besitzt drei vordefinierte EQ Kurven: FLAT, DEEP und BOOST. Die FLAT Einstellung erzeugt den Standard Frequenzgang und ist für die meisten Anwendungen geeignet. Die BOOST Einstellung verstärkt die hohen Frequenzen für eine klare Stimmenwiedergabe. Dies ist nützlich, wenn ein Mikrofon direkt an den Lautsprecher angeschlossen wird. Das DEEP



ENGLISH

FRANÇAIS

DEUTSCHE

ESPAÑOL

ITALIANO

Layout der Rückseite

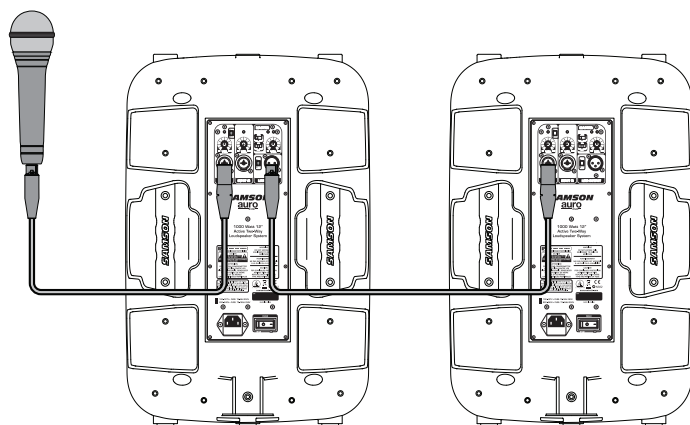
Einstellung verbessert niedrige Frequenzen, um Druck zu erhöhen, und hohe Frequenzen, um einen klaren Sound im Vokalbereich zu übertragen.

10. **HPF Schalter** - Mit diesem Schalter stellen Sie die Hochpassfilter Frequenz des Lautsprechers ein. Stellen Sie bei der Verwendung des Auro Lautsprechers mit einem Subwoofer den Schalter auf 80 Hz oder 120 Hz, je nach Spezifikation des Subwoofers. Es wird auch empfohlen, den HPF auf 120 Hz einzustellen, wenn der Auro Lautsprecher als Bodenmonitor eingesetzt wird, um den Aufbau der Niederfrequenz auf der Bühne einzuschränken.
11. **LIMITER Anzeige** - Diese GELBE LED leuchtet auf, wenn das Signal nahe am Verzerrpunkt liegt und der Begrenzer aktiviert wurde. Wenn der Begrenzer häufig aufleuchtet, drehen Sie den VOL Regler oder INPUT VOL Regler am Auro Lautsprecher oder das Signal an der Soundquelle herab, bis die Anzeige nicht mehr oder nur noch gelegentlich bei starken Signalspitzen aufleuchtet.
12. **FAULT Anzeige** - Diese LED leuchtet ROT auf, wenn der Verstärker überhitzt oder andere Probleme festgestellt wurden. Wenn die FAULT Anzeige aufgrund der Überhitzung des Verstärkers aufleuchtet, wird der Verstärker das Audio Signal begrenzen und die Lautstärke senken. Wenn das Gerät abgekühlt ist, wird der FAULT Indikator aus gehen und der Verstärker die Lautstärke wieder anheben.
13. **Line Output** - XLR Anschluss, um mehrere Auro Lautsprecher miteinander zu verbinden.
ANMERKUNG: Beim Anschluss eines Lautsprechers an den Line Ausgang des Auro X12D oder X15D ist es wichtig, zuerst den Haupt- Auro Lautsprecher und erst dann den angeschlossenen Lautsprecher einzuschalten. Beim Ausschalten des Systems ist es empfehlenswert, zuerst alle verbundenen Lautsprecher und dann Sie den Haupt- Auro Lautsprecher auszuschalten.
14. **MIX 1/2 THRU Schalter** - Dieser Schalter wird verwendet, um das Signal zu wählen, das an den Line Ausgang gesendet wird. Wenn sich der Schalter in der oberen (MIX 1/2) Position befindet, ist das Signal auf dem Line Ausgang eine Mischung aus den beiden Input 1 und Input 2 Signalen. Wenn sich der Schalter in der unteren (THRU) Position befindet, führt der Line Ausgang ausschließlich das Input 2 Signal.
15. **Netzschalter** - Dieser Kippschalter den Strom des Auro Lautsprechers ein und aus. Der Schalter leuchtet rot auf, wenn der Verstärker eingeschaltet ist.
ANMERKUNG: Es ist wichtig, die Goldene Audio Regel zu beachten ... "LAST ON, FIRST OFF" / Als letzter eingeschaltet / eingesteckt, als erster ausgeschaltet / ausgesteckt. Übersetzt bedeutet dies, dass Sie beim Einschalten Ihres Systems immer Ihre Endstufen oder Aktivboxen als LETZTES einschalten und beim Ausschalten des Systems Ihre Endstufen als ERSTES ausschalten sollten. Dies trägt dazu bei, laute Knackgeräusche durch Stromstöße beim Ein- oder Ausschalten zu vermeiden, die manchmal die Lautsprechern beschädigen können.
16. **Abdeckung der Sicherung** - Die Sicherung befindet sich hinter der Sicherungsabdeckung. Ersetzen Sie Sicherungen stets mit der gleichen Art Sicherung.
17. **AC Power Inlet** - Schließen Sie das mitgelieferte dreiphasige IEC Netzkabel hier an.
Anmerkung: Trennen Sie niemals den Erdungsstift des Steckers. Es ist gefährlich und kann zu einem elektrischen Schlag führen!

Verbindungen herstellen

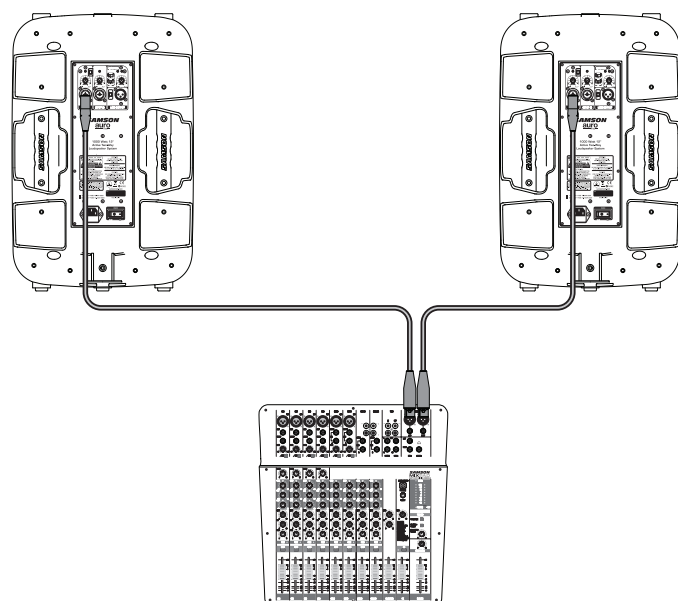
Verwendung eines Mikrofons

- Vergewissern Sie sich, dass sich der Hauptschalter des Auro XX12D / X15D in der OFF Position befindet.
- Drehen Sie den LEVEL Regler vollkommen gegen den Uhrzeigersinn in die Off Position.
- Verbinden Sie das Stromversorgungskabel mit einer Steckdose.
- Verbinden Sie mit einem Standard XLR Kabel ein Mikrofon in den XLR INPUT 1 des Auro Lautsprechers.
- Stellen Sie den MIC/LINE Schalter in die MIC (unten) Position.
- Stellen Sie den MIX 1/2 & THRU Schalter in die MIX 1/2 Position.
- Schalten Sie den POWER Schalter in die ON Position.
- Erhöhen Sie langsam, während Sie in das Mikrofon sprechen, den LEVEL Regler, bis Sie die gewünschte Einstellung erreicht haben.
- Für größere Beschallungen können Sie mehrere Monitore mit dem Line Ausgang über eine "daisy-chain" Verbindung mehrere Auro Lautsprecher zusammen schließen.



Mit einem Stereo Line Level Signal

- Vergewissern Sie sich, dass sich der Hauptschalter des Auro XX12D / X15D in der OFF Position befindet.
- Drehen Sie den LEVEL Regler vollkommen gegen den Uhrzeigersinn in die Off Position.
- Verbinden Sie das Stromversorgungskabel mit einer Steckdose.
- Verbinden Sie mit Standard XLR oder 1/4" Kabeln die Line Level Signale von einem Mixer oder Keyboard an die Auro Eingänge.
- Schalten Sie den POWER Schalter in die ON Position.
- Schicken Sie nun ein Audio Signal von Ihrem Mixer (etwa Musik von einem MP3 Player) und drehen Sie langsam den Pegel Regler am Auro Lautsprecher auf, bis Sie die gewünschte Lautstärke erreicht haben.



ENGLISH

FRANÇAIS

DEUTSCHE

ESPAÑOL

ITALIANO

Aufstellen des Lautsprechers

Für beste Ergebnisse sollten Sie die Lautsprecher über den Köpfen der Zuhörer anbringen. Das Auro Gehäuse verfügt über die Standard 1 3/8" Pol Montage mit Verriegelungsstift. Dies ist kompatibel mit Lautsprecherständern von verschiedenen Herstellern. In einem kleineren Rahmen, etwa einer Schulkantine, einer Bibliothek oder einem Kiosk in einem Einkaufszentrum, können Sie auch die Auro Lautsprecher in einer der zurückgeneigten Monitor Positionen aufstellen, wodurch die Projektion der Lautsprecher verbessert wird und Lautsprecherständer eventuell nicht notwendig sind.

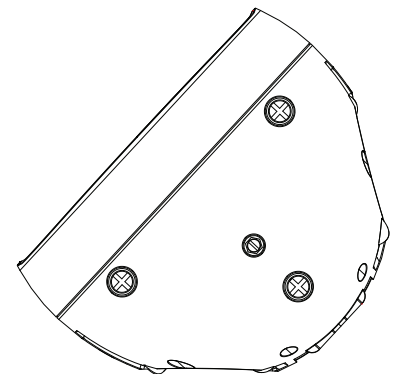
Anmerkung: Bei der Verwendung eines Lautsprecherständers sollten Sie sich vergewissern, dass die Stange das Gewicht des Auro Lautsprecher tragen kann.

Anmerkung: Sie sollten immer zusammen mit einer anderen Person den Auro Lautsprecher an einen Lautsprecherständer montieren oder bei der Einstellung des Ständers, wenn der Lautsprecher an ihm montiert ist.



Verwendung des Auro X12D / X15D als Boden- Monitor

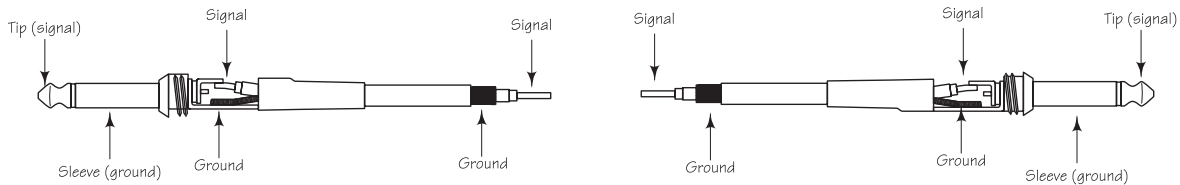
Der Auro X12D / X15D ist eine ideale Lösung für Bühnenmonitoring und dank seiner einzigartigen Konstruktion sind zwei Keilmonitorpositionen möglich. Wenn er auf die Seite gelegt wird, mit dem Hochfrequenz-Horn nach links des Gehäuses zeigend, ist der Auro in einem Winkel von 30 Grad geneigt. Dies optimiert die Leistung, wenn der Lautsprecher auf einer großen Bühne verwendet wird. Wenn er auf die Seite gelegt wird, mit dem Hochfrequenz-Horn nach rechts des Gehäuses zeigend, ist der Auro in einem Winkel von 45 Grad geneigt. Dies optimiert die Leistung, wenn der Lautsprecher auf einer kleineren Bühne verwendet wird.



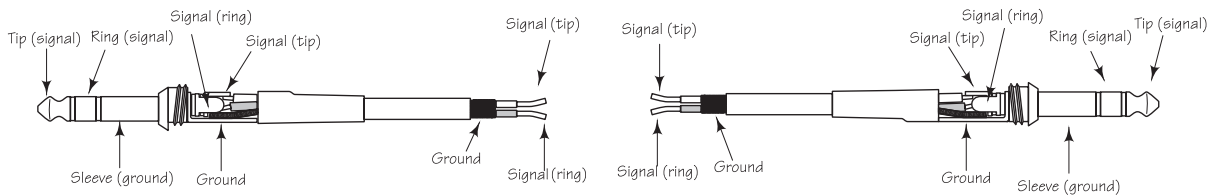
Kabel und Anschlüsse

Der X12D / X15D verfügt über symmetrische Ein- und Ausgänge. Es ist somit möglich, Geräte mit symmetrischen und unsymmetrischen Signalen anzuschließen. Wann immer möglich sollten Sie hochwertige symmetrische Verbindungen zu anderen Geräten verwenden, um Störungen zu unterdrücken.

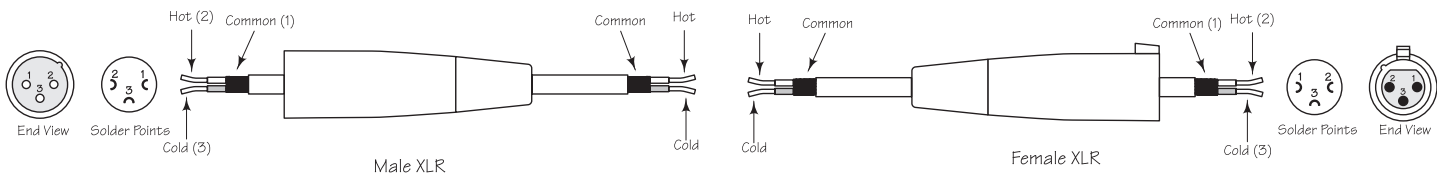
Unbalanced 1/4" Connector



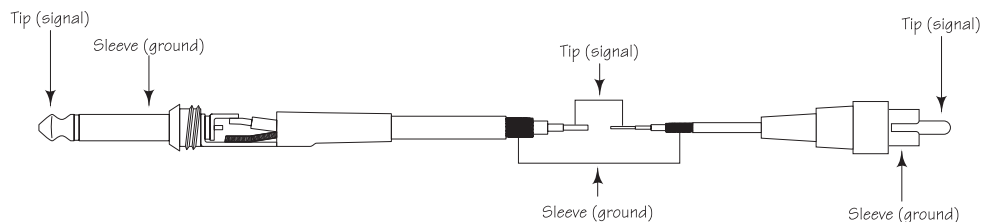
Balanced TRS 1/4" Connector



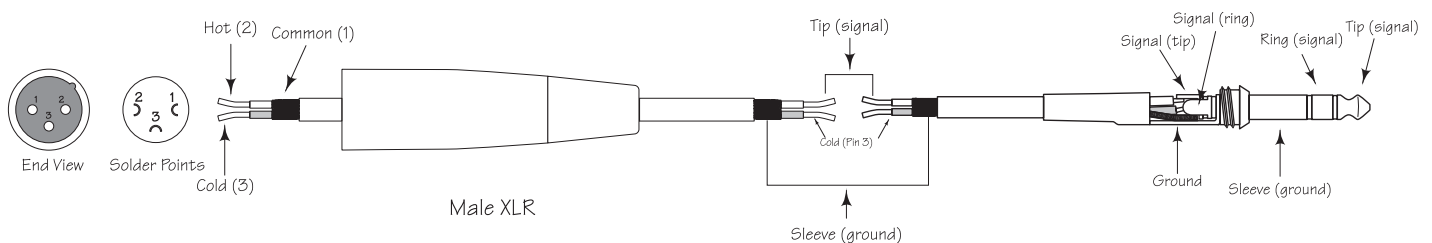
XLR to XLR Balanced



Unbalanced 1/4" Connector to RCA



XLR to Balanced 1/4-Inch



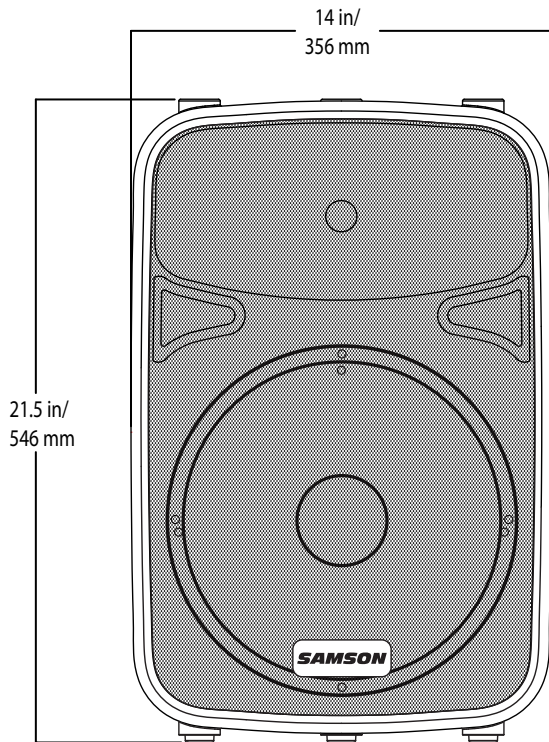
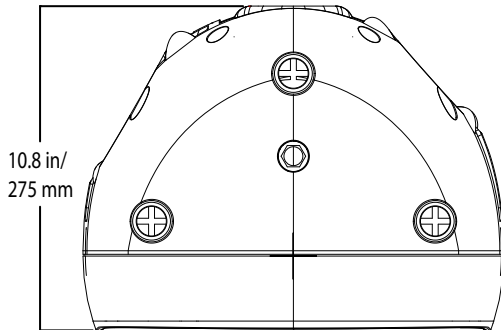
Spezifikationen

		X12D	X15D
Abgabeleistung			
Tiefe Frequenz	RMS Leistung	400 W @ 8 Ohm	
	Spitzenleistung	800 W @ 8 Ohm	
	THD	< 1 %	
Hohe Frequenz	RMS Leistung	100 W @ 8 Ohm	
	Spitzenleistung	200 W @ 8 Ohm	
	THD	< 1 %	
Wandler			
Tiefe Frequenz	12" Tieftöner, 3" Schwingspule		15" Tieftöner, 3" Schwingspule
Hohe Frequenz	1,34" (34 mm) Titan Kompressionstreiber, hochkant gewickelte Kupferschwingspule		
Akustische Eigenschaften			
Frequenzgang (-3 dB)	58 Hz bis 20 kHz		55 Hz bis 20 kHz
Maximum SPL (Spitzenleistung)	125 dB SPL @ 1 m		125 dB SPL @ 1 m
Horizontale Abstrahlung	90°		
Vertikale Abstrahlung	60°		
Elektronische Frequenzweiche			
Frequenzweichentyp	24 dB/oct Linkwitz Riley		
Übergangsfrequenz	2,3 kHz		2,1 kHz
Eingang / Ausgang			
Eingang	Symmetrische XLR & ¼" Anschlüsse (Input 1 Mic / Line Level; Input 2 Line Level)		
Ausgang	Symmetrischer XLR Line Ausgang		
Equalization Schalter			
HPF	Flat, 80Hz, 120Hz		
EQ	Flat, Deep, Boost		
Stromversorgung			
Stromverbrauch	456 W max.		
AC Anschluss	3-pin IEC 250 VAC, 20 A Stecker		
Sicherung	100 - 127 VAC T6,3AH / 250 V		
	220 - 240 VAC T3,15AH / 250 V		
Dimensionen und Gewicht			
Abmessungen	in	14" L x 10,8" W x 21,5" H	17,75" L x 13,5" W x 27,5" H
	mm	356 mm L x 275 mm W x 546 mm H	450 mm L x 342 mm W x 698 mm H
Gewicht	lbs	28,5	41,5
	kg	12,8	19
Montage			
Montagemethoden	Integrierter Halter für 1 3/8-Zoll Stange		
Fly Point	1 x M10		

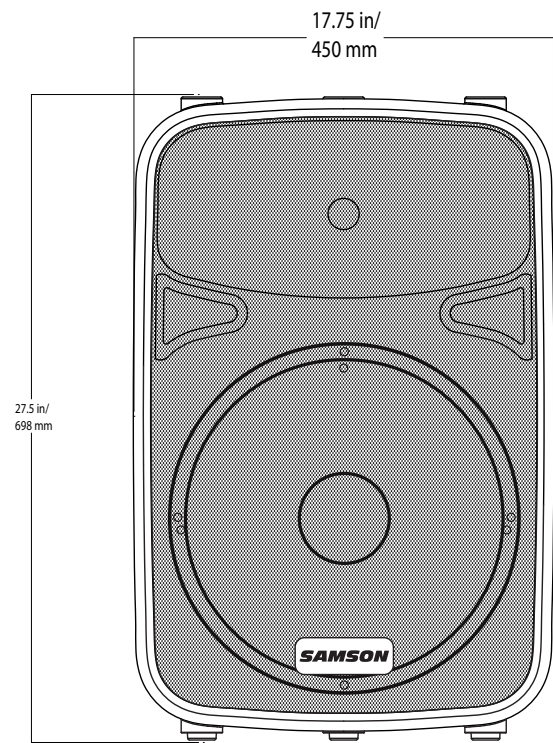
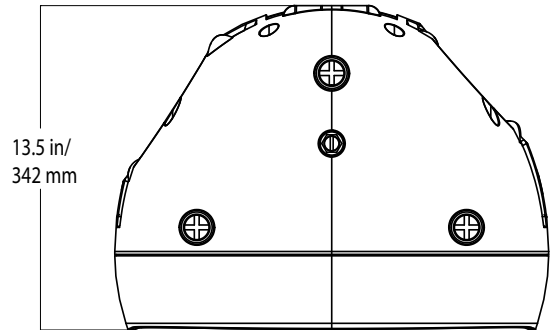
Wir bei Samson verbessern ständig unsere Produkte. Daher können Spezifikationen und Bilder ohne vorherige Ankündigung geändert werden.

Abmessungen

X12D



X15D



ENGLISH

FRANÇAIS

DEUTSCHE

ESPAÑOL

ITALIANO

Información de Seguridad Importante



ADVERTENCIA
PELIGRO DE SACUDIDA ELÉCTRICA -
NO ABRIR



Este símbolo de un relámpago con cabeza de flecha situado en el interior de un triángulo equilátero tiene como objeto alertar al usuario de la presencia de "tensión peligrosa" no aislada en el interior del alojamiento del producto que podría tener la magnitud suficiente para presentar un riesgo de sacudida eléctrica.



El símbolo de un signo de exclamación situado en el interior de un triángulo equilátero tiene como objeto alertar al usuario de la presencia de instrucciones de operación y mantenimiento importantes en la documentación que acompaña al aparato.



PRECAUCIÓN

Con el fin de evitar el riesgo de electrocución, no conecte la alimentación de la red eléctrica mientras la rejilla no esté instalada.

ADVERTENCIA: CON EL FIN DE REDUCIR EL PELIGRO DE SACUDIDA ELÉCTRICA, NO RETIRE LA TAPA (O LA PARTE POSTERIOR). NO HAY PIEZAS CUYA REPARACIÓN PUEDA SER EFECTUADA POR EL USUARIO EN EL INTERIOR DEL APARATO. ENCARGUE LAS REPARACIONES A PERSONAL TÉCNICO DEBIDAMENTE CUALIFICADO.

1. Lea cuidadosamente estas instrucciones.
2. Conserve estas instrucciones para cualquier consulta en el futuro.
3. Siga cuidadosamente todas las advertencias.
4. Observe y siga todas las instrucciones del fabricante.
5. No utilice este aparato cerca del agua.
6. Limpie el aparato solo con un trapo seco.
7. No bloquee las aperturas de ventilación. Instale el aparato de acuerdo con las instrucciones del fabricante.
8. No instale el aparato cerca de fuentes de calor como, por ejemplo, rejillas de calefacción, estufas u otros aparatos (incluyendo amplificadores) que produzcan calor.
9. No anule el sistema de seguridad del enchufe de tipo polarizado o con toma de tierra. Un enchufe polarizado tiene dos patillas, una más ancha que la otra. Un enchufe con toma de tierra tiene dos patillas normales y una tercera para la conexión a tierra. La patilla ancha o la tercera patilla se incluyen como medida de seguridad. Si el enchufe no encaja en su toma de corriente, llame a un electricista para que le cambie su toma anticuada.
10. Evite que el cable de corriente quede en una posición en la que pueda ser pisado o aplastado, especialmente en los enchufes, receptáculos y en el punto en el que sale de la unidad.
11. Utilice solo las conexiones/accesorios especificados por el fabricante.
12. Utilice solo el soporte de carro, el soporte de trípode o la mesa especificados por el fabricante o vendidos junto con el aparato. Si utiliza un carro, es necesario que proceda con precaución a la hora de mover el conjunto del carro/aparato con el fin de evitar que vuelque y las lesiones personales que ello podría acarrearle.
13. Desenchufe este aparato durante las tormentas eléctricas o cuando no vaya a utilizarlo durante un período de tiempo prolongado.
14. Dirija cualquier posible reparación solo a personal técnico debidamente cualificado. Deberá hacer que su aparato sea reparado cuando esté dañado de cualquier manera, como por ejemplo si el cable de corriente o el enchufe están dañados, o si se han derramado líquidos, o se ha introducido algún objeto dentro de la unidad, si ésta ha quedado expuesta a la lluvia o la humedad, si no funciona normalmente o si ha caído al suelo.
15. Este aparato no debe exponerse al goteo o a las salpicaduras de líquidos. Tampoco deben colocarse sobre él objetos llenos de líquidos, como por ejemplo jarrones.
16. Atención - para evitar descargas eléctricas, introduzca totalmente las patillas del enchufe en las ranuras de la toma.
17. Mantenga este aparato en un entorno con buena ventilación.
18. INTERRUPTOR DE ENCENDIDO/APAGADO En los productos equipados con un interruptor de Encendido/Apagado (o de Alimentación), dicho interruptor NO corta la conexión de la corriente.
19. DESCONEXIÓN DE LA CORRIENTE ELÉCTRICA: Coloque el enchufe de forma que siempre pueda acceder a él. En caso de una instalación en rack o de otro tipo en la que no sea fácil acceder al enchufe, coloque en el circuito eléctrico del rack o de la sala un interruptor de corriente multipolar con una separación de contactos de al menos 3 mm en cada polo.



S3125A

ENGLISH

FRANÇAIS

DEUTSCHE

ESPAÑOL

ITALIANO

Información de Seguridad Importante

Aviso sobre las Normas FCC

1. Este dispositivo cumple lo estipulado en la Sección 15 de las Normas FCC. Su funcionamiento está sujeto a las dos condiciones siguientes:
 - (1) Este aparato no puede producir interferencias molestas.
 - (2) Este aparato debe aceptar cualquier interferencia recibida, incluyendo aquellas que puedan producir un funcionamiento no deseado de la unidad.
2. Los cambios o modificaciones no aprobados expresamente por la parte responsable del cumplimiento normativo podrían anular la autorización del usuario para utilizar el equipo.



A la hora de deshacerse de este aparato al final de su vida de servicio, no lo elimine junto con la basura doméstica general. Existe un procedimiento específico para la eliminación de los aparatos electrónicos usados de manera conforme a la legislación actual que requiere el tratamiento, la recuperación y el reciclaje apropiados de los mismos.

Los usuarios no profesionales residentes en uno de los 28 estados miembro de la UE, en Suiza y en Noruega pueden devolver sus aparatos electrónicos usados, sin coste alguno, al comercio en el que fueron adquiridos (si se adquiere allí otro aparato similar) o a determinados centros designados para la recogida de residuos eléctricos y electrónicos.

En el caso de los países no indicados arriba, póngase en contacto con las autoridades locales para determinar el método de eliminación correcto.

Mediante la eliminación correcta de su aparato usado se asegurará de que éste se someta al tratamiento, la recuperación y el reciclaje apropiados, evitándose así los efectos adversos sobre el medio ambiente y la salud humana.

Índice

Introducción	48
Características	49
Inicio Rápido	50
Panel Trasero	51
Conexiones	53
Cables y Conectores	55
Especificaciones	56
Dimensiones	57

ENGLISH

FRANÇAIS

DEUTSCHE

ESPAÑOL

ITALIANO

Introducción

Le agradecemos que haya decidido adquirir el altavoz autoamplificado profesional Auro de Samson. El Auro X12D y el Auro X15D son recintos acústicos compactos y potentes que le ofrecen 1.000 vatios de potencia biamplificada interna. El Auro X12D y el Auro X15D disponen de *woofers* de alto rendimiento y largo recorrido de excursión de 12 y 15 pulgadas, respectivamente, así como motores de compresión de titanio de 1,34 pulgadas con salida de 1 pulgada. Los paneles traseros disponen de dos canales de entrada XLR y ¼", cada uno de ellos con controles de volumen independientes. También incluyen un control de Volumen Maestro, así como de un ecualizador de tres posiciones y preajustes de filtro pasa-altos (HPF) para la adaptación a cualquier aplicación. La Salida de Línea XLR le permite conectar en cadena varios recintos Auro juntos para crear sistemas de refuerzo de sonido aun más potentes.

El Auro X12D y el Auro X15D están equipados con un amplificador de clase D de 1.000 vatios ligero y eficiente, así como con la tecnología de Procesamiento Digital de Señales (DSP) R.A.M.P. de Samson. El Procesamiento Digital de Señales R.A.M.P. asegura la máxima salida con una respuesta lineal, protegiendo al mismo tiempo tanto el altavoz como los componentes.

La forma trapezoidal de cada recinto permite la configuración para usos FOH o como monitor de escenario tipo cuña. Además, los recintos compactos pueden apilarse fácilmente gracias a los topes integrados, o también pueden montarse sobre un soporte de barra utilizando el casquillo integrado de 1 3/8".

La robusta carcasa de cada uno de estos recintos Auro está fabricada en polipropileno de gran resistencia a los golpes y con un acabado exterior resistente a los arañazos, e incluye una rejilla de acero de gran robustez que proporciona una protección total contra el uso y el desgaste, convirtiendo así al

Auro X12D y el Auro X15D en unidades de audio totalmente portátiles. Los monitores activos Auro son perfectos para aplicaciones de música en directo, DJ, conferencias y aplicaciones de sonido fijas, o cualquier otra aplicación en la que se necesite una gran potencia y una calidad de sonido excelente.

En estas páginas, encontrará una descripción detallada de las características del sistema PA Auro, así como un recorrido guiado por sus paneles frontal y trasero, instrucciones paso a paso para su configuración y uso y las especificaciones técnicas completas del dispositivo. También encontrará una tarjeta de garantía – no olvide rellenarla y enviárnosla por correo para que pueda recibir soporte técnico online y para que le podamos ofrecer información actualizada sobre éste y otros productos de Samson en el futuro. Además, no deje de visitar nuestra web (www.samsontech.com) para ver toda la información sobre nuestra línea de productos.

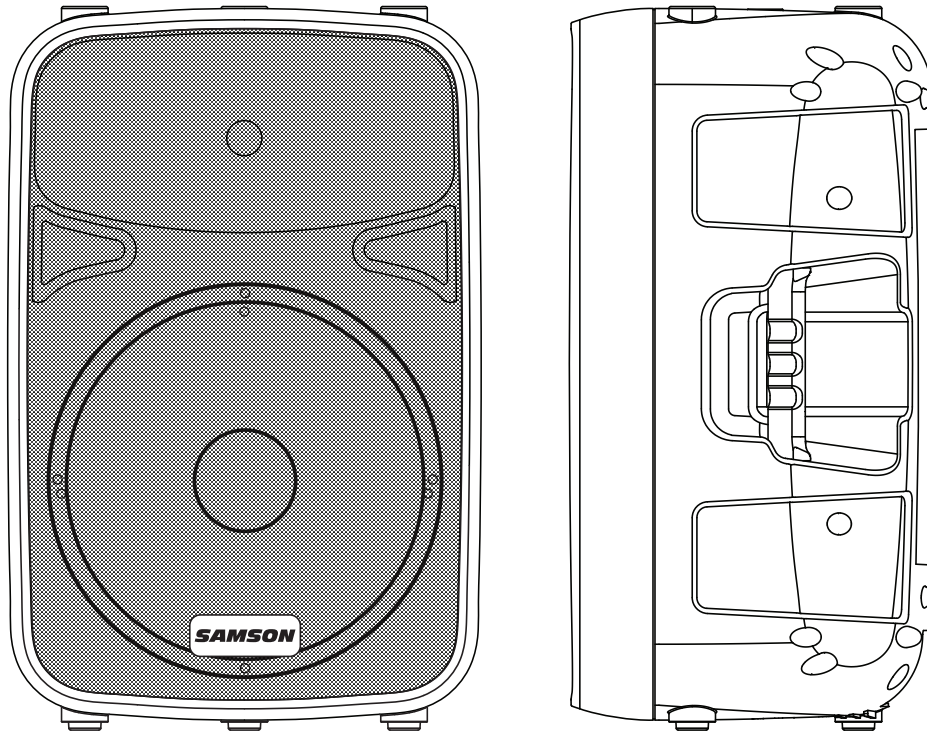
Con unos cuidados mínimos y una correcta refrigeración, su recinto Auro funcionará sin problemas durante muchos años. Le recomendamos que apunte el número de serie en el espacio reservado para ello por si tiene que hacer cualquier consulta en el futuro.

Número de serie: _____

Fecha de compra: _____

En el caso improbable de que en algún momento tuviera que reparar este aparato, deberá solicitarnos un número de Autorización de Devolución (RA) para poder enviar su unidad a Samson. Sin este número no se aceptará el aparato. Póngase en contacto con Samson en el número 1-800- 3SAMSON (1-800-372-6766) para que le facilitemos este número de autorización de devolución antes de enviarnos la unidad. Si fuera posible, conserve el embalaje original y los materiales de protección para devolvernos la unidad dentro de ellos. Si compró su unidad fuera de los Estados Unidos, póngase en contacto con su distribuidor en lo relativo a los detalles de la garantía y la información de servicio.

Características



- Recintos acústicos activos bidireccionales de 1.000 vatios para aplicaciones de sonido directo
- Amplificador de Clase D ligero y extremadamente eficiente
- Etapas de potencia de 800 W en graves + 200 W agudos (picos)
- Respuesta de frecuencia plana y súper ancha
- Cabezales de graves de gran proyección y alto rendimiento de 12/15 pulgadas de diseño exclusivo para ofrecerle una respuesta mejorada en las bajas frecuencias
- Motor de compresión de diafragma de titanio de 1,34 pulgadas con garganta de 1 pulgada para una reproducción totalmente suave de los súper agudos
- Tecnología DSP R.A.M.P. de Samson
- Control de Volumen Maestro con indicador de picos
- Dos canales de entrada combinada XLR-1/4" con preajustes independientes de filtro pasa-altos (HPF)
- y ecualizador de tres posiciones
- Conectores de Salida de Línea XLR que le permiten conectar en cadena varios recintos Auro
- *Crossover* interno electrónico de 24 dB/octava con alineación de tiempo
- Posibilidad de colocación en ángulos de 30 y 45 grados para cobertura de campo próximo y lejano
- Casquillo para barras de soporte de altavoz estándar de 1 3/8" (35 mm)
- Diseño versátil y portátil con asas laterales integradas
- Diseño de tobera reflex de graves, afinada para unos súper graves mejorados
- Sólido recinto de polipropileno de diseño resistente a los golpes

Inicio Rápido

1. Gire el control de Nivel del panel trasero totalmente en el sentido contrario a las agujas del reloj.
2. Sitúe los interruptores de HPF y EQ en las posiciones Planas (Figura 1).
3. Apague la unidad colocando el interruptor de encendido en la posición OFF.
4. Conecte una señal de nivel de línea procedente de su mesa de mezclas (u otra fuente de audio) o un micrófono al conector de la Entrada 1 o una señal de nivel de línea al conector de la Entrada 2 del panel trasero del Auro X12D/X15D (Figura 2). Si utiliza un micrófono, sitúe el interruptor Mic/Línea en la posición de micrófono.
5. Conecte el cable de alimentación incluido a la entrada de Alimentación de Corriente Alterna (CA) situada en el panel trasero del altavoz. Enchufe el cable de alimentación en una toma de CA (Figura 4).
Nota: Asegúrese siempre de que la salida de CA corresponda al voltaje y el amperaje que aparecen indicados en el panel trasero de su recinto Auro.
6. Coloque el interruptor de Encendido (Power) de su recinto Auro en la posición ON.
7. Suba el control de Volumen Maestro.
8. Haga pasar una señal audio procedente de su mesa de mezclas, o hable o cante al micrófono.
9. Suba lentamente la posición del control de Nivel del Auro hasta que consiga el nivel de escucha que desee.
10. Si el sonido emitido por sus altavoces está distorsionado, o si observa que el indicador de FALLO parpadea con frecuencia, reduzca un poco la posición del control de Nivel del Auro X12D/X15D hasta que el indicador deje de iluminarse. Para incrementar el nivel de salida del recinto, suba el control de Volumen Maestro.

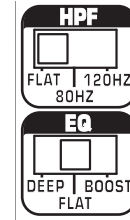


Figura 1

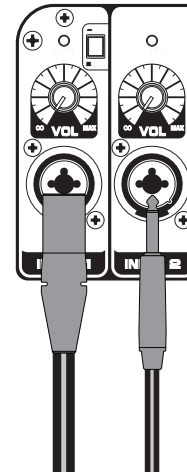


Figura 2

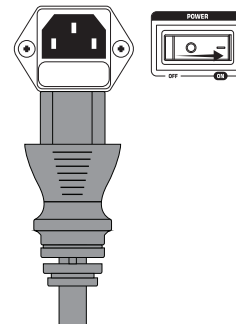


Figura 3

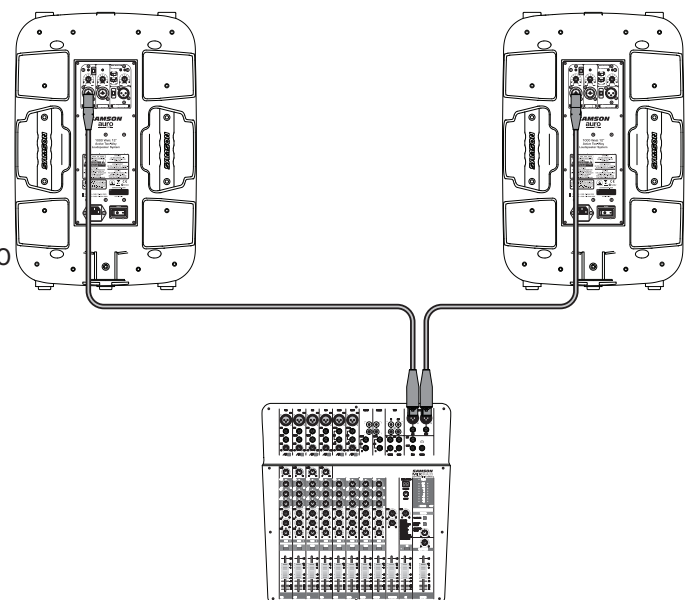
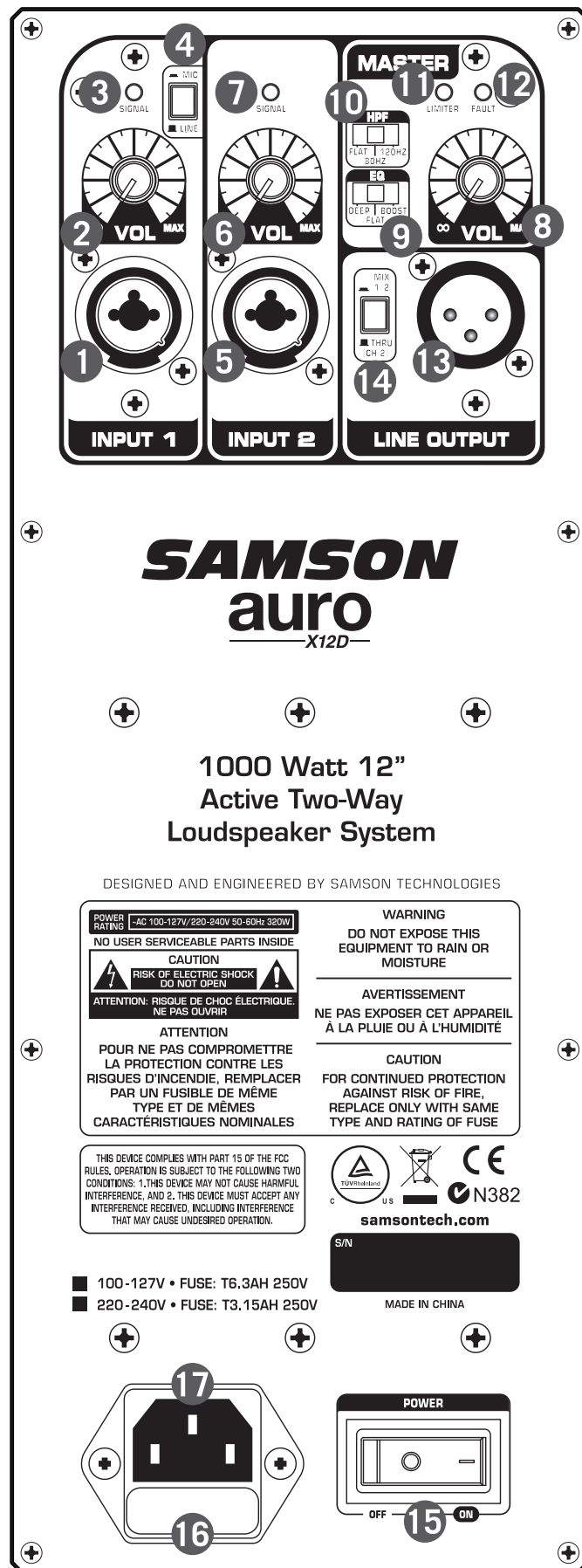


Figura 4

Panel Trasero

- Conector de Entrada XLR y ¼" (Entrada 1)** - Este conector XLR y ¼" combinado acepta una señal de micrófono o de nivel de línea tanto balanceada como no balanceada. La entrada de tipo telefónico de ¼" acepta conectores de tipo TS o TRS.
- Control de VOL (Entrada 1)** - Este mando de Volumen permite ajustar el nivel del canal de la Entrada 1.
- Indicador de SEÑAL (Entrada 1)** - Cuando se ilumina, este indicador LED VERDE indica que hay señal en la Entrada 1, independientemente del ajuste del Control de VOL de la Entrada 1.
- Interruptor Mic/Línea (Entrada 1)** - La posición MIC cambia la ganancia de los conectores de la Entrada 1 al nivel de MIC. La posición LÍNEA reduce 30 dB la ganancia de los dos conectores hasta dejarla en el nivel de línea.
- Conector de Entrada XLR y ¼" (Entrada 2)** - Este conector XLR y ¼" combinado acepta una señal de nivel de línea tanto balanceada como no balanceada. La entrada de tipo telefónico de ¼" acepta conectores de tipo TS o TRS.
- Control de VOL (Entrada 2)** - Este mando de permite ajustar el nivel del canal de la Entrada 2.
- Indicador de SEÑAL (Entrada 2)** - Cuando se ilumina, este indicador LED VERDE indica que hay señal en la Entrada 2, independientemente del ajuste del Control de VOL de la Entrada 2.
- Control de VOL Maestro** - Este control permite ajustar el nivel global de la señal en la entrada de las etapas de potencia.
- Interruptor EQ** - El DSP del Auro tiene tres curvas de contorno de ecualización: PLANO, PROFUNDO y REFUERZO. El ajuste PLANO produce la respuesta de frecuencia estándar y es la mejor opción para las mayoría de las aplicaciones. El ajuste de REFUERZO proporciona un realce de los agudos para la claridad vocal. Este ajuste resulta útil cuando se conecta un micrófono directamente al altavoz. El ajuste PROFUNDO potencia los graves para añadir "pegada" y los agudos para



ENGLISH

FRANÇAIS

DEUTSCHE

ESPAÑOL

ITALIANO

Panel Trasero

añadir claridad vocal.

10. **Interruptor HPF** - Este interruptor permite ajustar la frecuencia del Filtro Pasa-Altos del recinto. Cuando utilice el altavoz Auro con un *subwoofer*, ajuste el interruptor en 80Hz o 120Hz, dependiendo de la especificación del *subwoofer*. También se recomienda ajustar el HPF en 120Hz cuando se utilice el altavoz Auro como un monitor de suelo con el fin de limitar la acumulación de graves en el escenario.
11. **Indicador LIMITADOR** - Este indicador LED AMARILLO se ilumina cuando el amplificador está próximo al punto de saturación y se aplica el limitador. Si el indicador LIMITADOR se ilumina con frecuencia, baje el control de VOL Maestro o los controles de VOL de ENTRADA en el altavoz Auro o reduzca la señal en la fuente, hasta que el indicador deje de iluminarse o solo lo haga ocasionalmente con los picos de señal alta.
12. **Indicador de FALLO** - Este indicador LED se ilumina en color ROJO cuando la entrada está sobrecargada, cuando el amplificador se calienta excesivamente o si se han detectado otros problemas. Si el indicador de FALLO se ilumina debido al calentamiento excesivo del amplificador, el amplificador limitará el audio y reducirá el nivel de la salida. Cuando la unidad se haya enfriado, el indicador de FALLO se apagará y el amplificador incrementará de nuevo el nivel.
13. **Salida de Línea** - Conector XLR macho que le permite enlazar

varios recintos acústicos Auro.

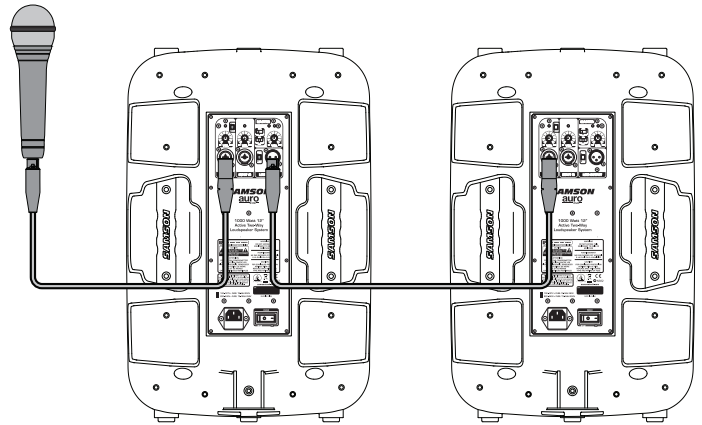
NOTA: Cuando se conecte un altavoz a la Salida de Línea del Auro X12D o el Auro X15D, es importante encender el altavoz Auro principal en primer lugar y encender después el altavoz conectado. A la hora de apagar el sistema, se recomienda apagar en primer lugar todos los altavoces conectados y apagar entonces el altavoz Auro principal.

14. **Interruptor MEZCLA 1/2 y THRU** - Este interruptor se utiliza para seleccionar la señal que se envía a la Salida de Línea. Cuando el interruptor está en la posición superior (MEZCLA 1/2), la señal en la Salida de Línea es una mezcla de las señales de la Entrada 1 y la Entrada 2. Cuando el interruptor está en la posición inferior (THRU), la Salida de Línea solo lleva la señal de la Línea 2.
15. **Interruptor de Encendido** - Este interruptor basculante se utiliza para encender y apagar la alimentación eléctrica del Auro. El interruptor se ilumina en color ROJO cuando el amplificador está activo.
NOTA: Es importante que tenga en cuenta la regla de oro del audio... “EL ÚLTIMO EN SER ENCENDIDO ES EL QUE DEBE APAGARSE EN PRIMER LUGAR”. Esto significa que cuando ponga en marcha su sistema, siempre debe encender los altavoces autoamplificados AL FINAL, y cuando vaya a desconectarlo, debe apagar los altavoces autoamplificados EN PRIMER LUGAR. Esto le ayudará a evitar petardeos producidos por los picos de corriente durante el encendido o apagado, que podrían llegar a dañar los altavoces.
16. **Tapa del Fusible** - El fusible está situado detrás de la tapa del fusible. A la hora de cambiar el fusible, utilice siempre un fusible del mismo tipo.
17. **Entrada de Alimentación de CA** - Conecte aquí el cable de alimentación IEC de 3 patillas incluido con la unidad.
Nota: No desconecte nunca la patilla de tierra del enchufe. ¡Es peligroso y puede dar lugar a una descarga eléctrica!

Conexiones

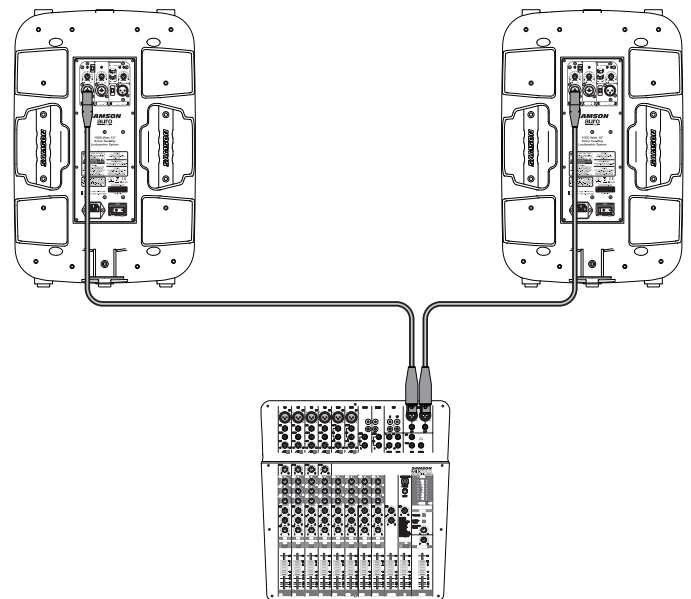
Uso de un Micrófono

- Compruebe que el interruptor de Alimentación del Auro X12D/X15D esté en la posición de OFF.
- Gire el control de NIVEL totalmente en el sentido contrario a las agujas del reloj hasta situarlo en la posición de OFF.
- Conecte el cable de alimentación en una toma de corriente alterna.
- Utilizando un cable XLR estándar, conecte un micrófono en la ENTRADA 1 XLR del Auro.
- Coloque el interruptor MIC/LÍNEA en la posición MIC (abajo).
- Coloque el interruptor de MEXCLA 1/2 y THRU en la posición de MEZCLA 1/2.
- Coloque el interruptor de Alimentación en la posición ON.
- Mientras habla o canta al micrófono, suba lentamente el control de nivel hasta que se alcance el nivel que desee.
- Para un mayor refuerzo del sonido, puede conectar varios monitores juntos utilizando la Salida de Línea para conectar en cadena un recinto Auro con otro.



Uso de una Señal de Nivel de Línea Estéreo

- Compruebe que el interruptor de Alimentación del Auro X12D/X15D esté en la posición de OFF.
- Gire el control de NIVEL totalmente en el sentido contrario a las agujas del reloj hasta situarlo en la posición de OFF.
- Conecte el cable de alimentación en una toma de corriente alterna.
- Utilizando los cables XLR o ¼" estándar, conecte las señales de nivel de línea procedentes de una mesa de mezclas o teclado a las Entradas del Auro.
- Coloque el interruptor de Alimentación en la posición ON.
- Ahora, haga pasar una señal audio procedente de su mesa de mezclas (como por ejemplo música de un reproductor MP3) mientras sube lentamente el control de Nivel del Auro hasta que consiga el nivel de escucha que desee.



Colocación de los Altavoces

Siempre que sea posible, resulta una buena idea colocar los altavoces a una altura superior a la de las cabezas del público. Los recintos acústicos Auro disponen de casquillos estándar de 1 3/8" para colocación en barra con tuercas de fijación, compatibles con un gran número de soportes de altavoz de diversos fabricantes. En entornos más reducidos (como por ejemplo bares, bibliotecas o kioskos), también puede colocar los Auro en el suelo, inclinados en cuña, lo que mejorará la proyección de los altavoces y puede eliminar la necesidad de utilizar soportes.

Nota: Cuando instale los altavoces en una barra, asegúrese de que la barra en cuestión sea capaz de soportar el peso del recinto Auro.

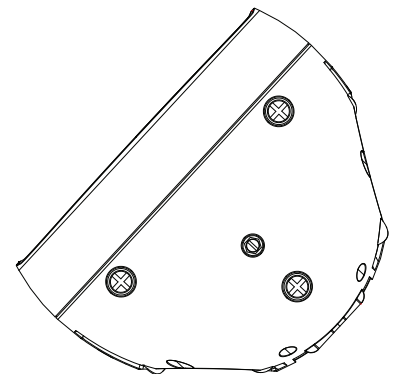
Nota: Haga siempre que otra persona le ayude cuando coloque los recintos Auro sobre un soporte de altavoces o cuando ajuste el soporte con el altavoz ya instalado en él.



Uso del Auro X12D/X15D como un Monitor de Suelo

El Auro X12D/X15D es una solución perfecta para monitorización de escenario y, gracias a su exclusivo diseño,

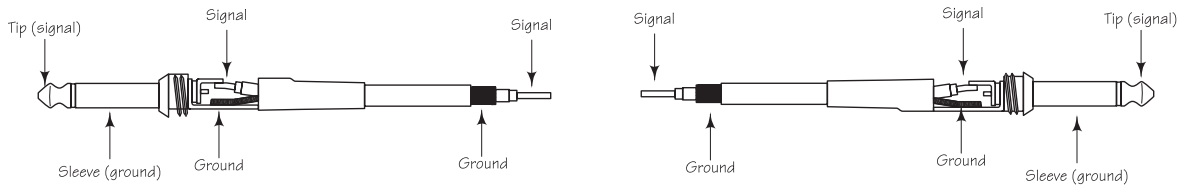
puede colocarse como monitor de cuña en dos posiciones. Cuando se coloca sobre uno de sus lados, con la bocina de agudos orientada hacia la parte izquierda del recinto, el Auro se inclina con un ángulo de 30 grados, optimizando el rendimiento cuando se utiliza en un escenario de gran tamaño. Cuando se coloca sobre uno de sus lados, con la bocina de agudos orientada hacia la parte derecha del recinto, el Auro se inclina con un ángulo de 45 grados, optimizando el rendimiento cuando se utiliza en escenarios de menores dimensiones.



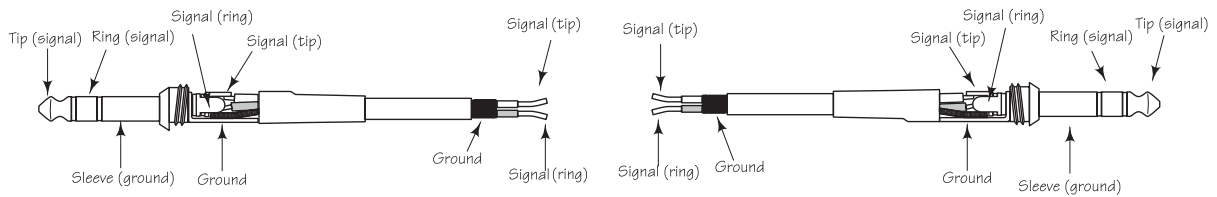
Cables y Conectores

El Auro X12D/X15D dispone de entradas y salidas balanceadas, lo que le permite conectar señales tanto balanceadas como no balanceadas. Siempre que sea posible, use conexiones balanceadas para evitar posibles interferencias con el resto de equipos.

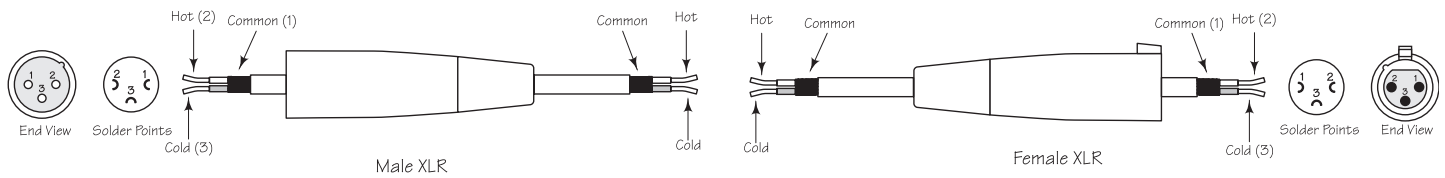
Unbalanced 1/4" Connector



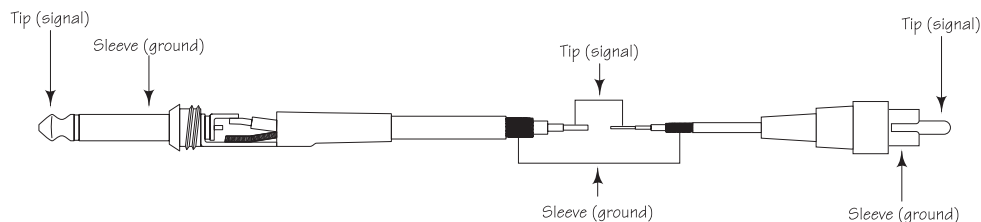
Balanced TRS 1/4" Connector



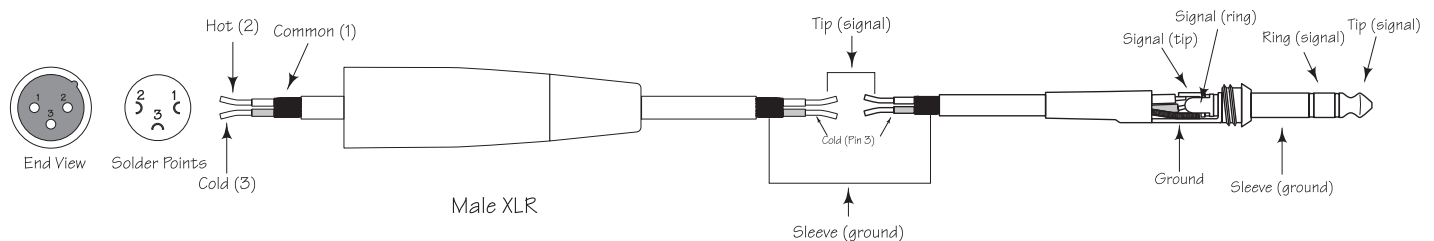
XLR to XLR Balanced



Unbalanced 1/4" Connector to RCA



XLR to Balanced 1/4-Inch



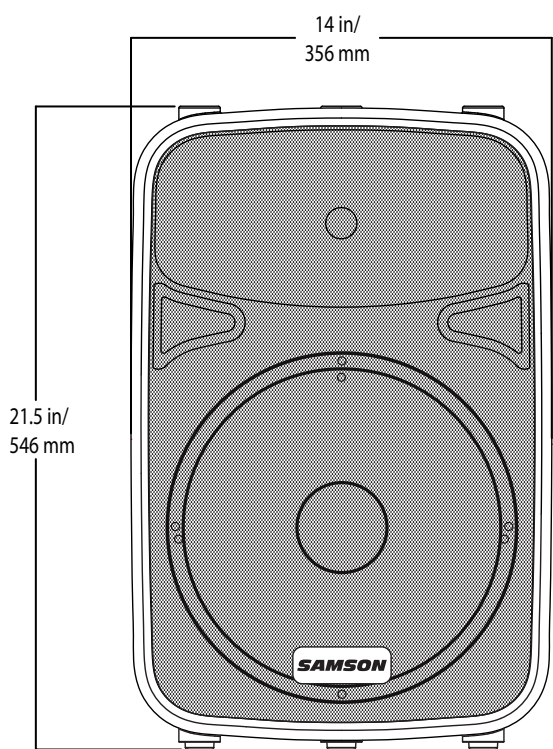
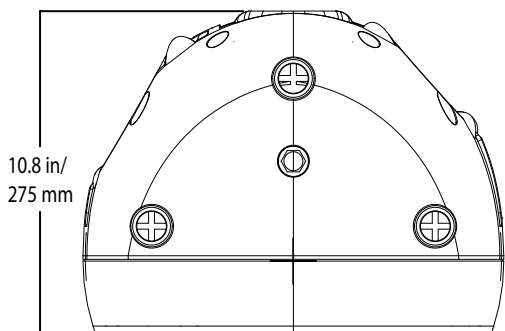
Especificaciones

		X12D	X15D
Potencia de Salida			
Bajas Frecuencias	Potencia RMS	400 W a 8 ohmios	
	Potencia Picos	800 W a 8 ohmios	
	THD	< 1 %	
Altas Frecuencias	Potencia RMS	100 W a 8 ohmios	
	Potencia Picos	200 W a 8 ohmios	
	THD	< 1 %	
Transductores			
Bajas Frecuencias	Transductor de graves de 12 pulgadas, bobina de voz de 3 pulgadas		Transductor de graves de 15 pulgadas, bobina de voz de 3 pulgadas
Altas Frecuencias	Motor de compresión de titanio de 1,34" (34 mm), bobina de voz de cobre de hilo cuadrado		
Rendimiento Acústico			
Respuesta de frecuencia (-3 dB)	58 Hz a 20 kHz		55 Hz a 20 kHz
Nivel Máximo de Presión Sonora (SPL) (Potencia Pico)	125 dB SPL a 1 m		125 dB SPL a 1 m
Ángulo de Cobertura Horizontal	90°		
Ángulo de Cobertura Vertical	60°		
Crossover Electrónico			
Tipo de <i>Crossover</i>	24 dB/octava Linkwitz-Riley		
Frecuencia de <i>Crossover</i>	2,3 kHz	2,1 kHz	
Entrada/Salida			
Entradas	Conectores XLR y ¼" balanceados (Entrada 1 Mic/Nivel de Línea; Entrada 2 Nivel de Línea)		
Salida	Salida de Línea XRL balanceada		
Interruptores de Ecuación			
HPF	Plano, 80Hz, 120Hz		
EQ	Plano, Profundo, Refuerzo		
Alimentación			
Consumo de Energía	456 W máximo		
Conector de CA	IEC de tres puntas, 250 V CA, 20 A, macho		
Fusible	100 - 127 V CA T6,3AH / 250 V		
	220 - 240 V CA T3,15AH / 250 V		
Dimensiones y Peso			
Dimensiones	en	14" L x 10,8" F x 21,5" A	17,75" L x 13,5" F x 27,5" A
	mm	356 mm L x 275 mm F x 546 mm A	450 mm L x 342 mm F x 698 mm A
Peso	libras	28,5	41,5
	kg	12,8	19
Montaje			
Método de Montaje	Casquillo para montaje en barra de 1 3/8 pulgadas		
Punto de Anclaje Suspenso	1 x M10		

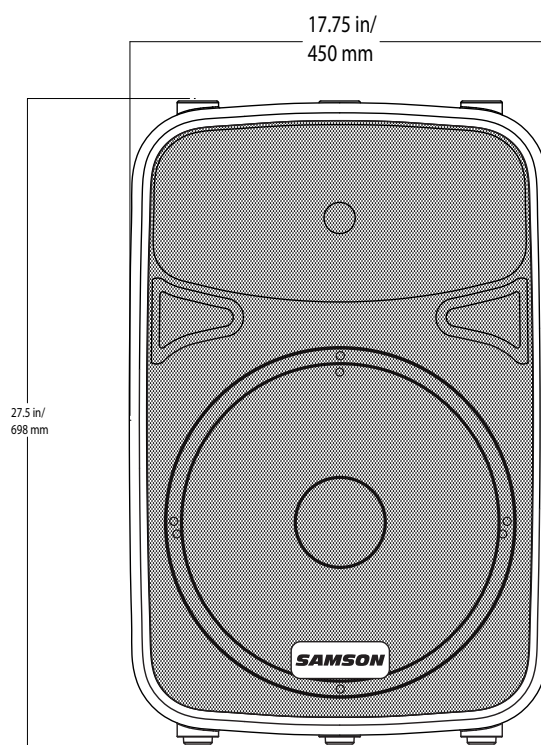
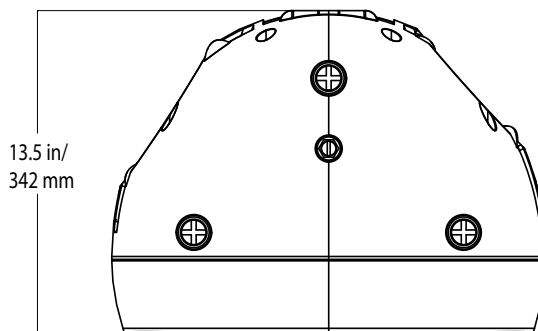
En Samson mejoramos continuamente nuestros productos y debido a ello las especificaciones y las imágenes pueden ser objeto de cambios sin previo aviso.

Dimensiones

X12D



X15D



ENGLISH

FRANÇAIS

DEUTSCHE

ESPAÑOL

ITALIANO

Informazioni di sicurezza importanti



ATTENZIONE
RISCHIO DI FOLGORAZIONE -
NON APRIRE



Il simbolo di folgore con punta di freccia all'interno di un triangolo equilatero intende avvertire l'utente della presenza di "tensione pericolosa" non isolata all'interno dell'involucro del prodotto, di entità sufficiente a costituire un rischio di scossa elettrica.



Il punto esclamativo all'interno di un triangolo equilatero intende avvertire l'utente della presenza di importanti istruzioni operative e di manutenzione nella manualistica che accompagna l'apparecchio.



AVVERTENZA

Per prevenire il rischio di scossa elettrica, non connettere alla presa di rete a griglia rimossa.

ATTENZIONE: PER RIDURRE IL RISCHIO DI SCOSSA ELETTRICA, NON RIMUOVERE LA COPERTURA (O IL RETRO), DAL MOMENTO CHE ALL'INTERNO NON VI SONO COMPONENTI UTILIZZABILI. FARE RIFERIMENTO A PERSONALE DI ASSISTENZA QUALIFICATO

1. Leggere queste istruzioni.
2. Conservare queste istruzioni.
3. Prestare attenzione tutte le avvertenze.
4. Seguire tutte le istruzioni.
5. Non usare questo apparecchio in prossimità di acqua.
6. Pulire solo con panno asciutto.
7. Non bloccare alcuna apertura di ventilazione. Installare secondo le istruzioni del fabbricante.
8. Non installare in prossimità di sorgenti di calore come radiatori, stufette o altri apparati (amplificatori compresi) che producono calore.
9. Non modificare le caratteristiche di sicurezza della spina polarizzata o dotata di messa a terra. Una spina polarizzata ha due lamelle, con una più larga dell'altra. Una spina con messa a terra ha due lamelle e un terzo contatto di terra. La terza lamella serve alla vostra sicurezza. Se la spina fornita non si adatta alla presa, consultate un elettricista per sostituire la presa obsoleta.
10. Proteggere il cavo di alimentazione in modo che non venga calpestato o pizzicato particolarmente in corrispondenza della spina, e del punto in cui esce dall'apparecchio
11. Usare solo accessori specificati dal fabbricante.
12. Usare solo il carrello, il cavalletto, il treppiede, il supporto o il ripiano specificati dal fabbricante o venduti con l'apparecchio. Quando si usa un carrello, prestare attenzione durante lo spostamento del carrello/apparecchio per evitare danni da ribaltamento.
13. Staccare la spina dell'apparecchio nel corso di temporali o quando si prevede di non utilizzare l'apparecchio per un lungo periodo di tempo.
14. Affidare qualsiasi intervento di assistenza a personale qualificato. L'assistenza è necessaria quando l'apparecchio è stato danneggiato in qualsiasi modo: per esempio quando il cavo di alimentazione o la spina sono danneggiati, quando sono stati versati liquidi o sono caduti oggetti sull'apparecchio, o quando l'apparecchio è stato esposto a pioggia o umidità, non funziona normalmente o è caduto.
15. Questo apparecchio non deve essere esposto a gocce o a schizzi d'acqua, e nessun oggetto pieno di liquido, come può essere un bicchiere, vi deve essere collocato sopra.
16. Attenzione: per prevenire scosse elettriche, fare corrispondere la lamella larga con la fessura larga e inserire a fondo.
17. Mantenere un buon ambiente di ventilazione attorno all'intera unità.
18. **INTERRUTTORE ON/OFF** Per prodotti con un interruttore, l'interruttore **NON** interrompe la connessione della rete elettrica.
19. **DISCONNESSIONE DALLA RETE** La spina deve rimanere facilmente accessibile. Per il montaggio su rack dell'installazione dove la spina non è accessibile, un interruttore di rete con una separazione di contatto di almeno 3 mm in ciascun polo sarà incorporato nell'installazione elettrica del rack.



S3125A

ENGLISH

FRANÇAIS

DEUTSCHE

ESPAÑOL

ITALIANO

Informazioni di sicurezza importanti

Nota FCC

1. Questo dispositivo è conforme alla Part 15 delle Norme FCC. Il suo funzionamento è soggetto alle seguenti condizioni:
 - (1) Il dispositivo non può causare interferenze dannose.
 - (2) Il dispositivo deve accettare qualsiasi interferenza ricevuta, comprese le interferenze che possano causare un funzionamento indesiderato.
2. Cambi o modifiche non espressamente approvati dalla parte responsabile della conformità potrebbero annullare l'autorità dell'utilizzatore di servirsi dell'apparecchio.



Quando si vuole smaltire questo prodotto, non lo si deve mescolare ai rifiuti generici domestici. Esiste un sistema di raccolta separata per i prodotti elettronici usati, secondo la legislazione che impone un trattamento, un recupero e un riciclaggio appropriati.

Gli utilizzatori privati nei 28 stati membri della UE, in Svizzera e in Norvegia, possono conferire gratuitamente i loro prodotti elettronici usati a impianti di raccolta designati o a un rivenditore (quando si acquista un prodotto simile nuovo).

Per i paesi non compresi tra quelli summenzionati, si prega di contattare le autorità locali per essere informati sul corretto metodo di smaltimento.

Così facendo, si sarà certi che il prodotto smaltito subisca il necessario trattamento, recupero e riciclaggio, prevenendo in tal modo i potenziali effetti negativi sull'ambiente e la salute umana.

Indice

Introduzione	62
Caratteristiche	63
Avvio rapido	64
Layout pannello posteriore	65
Fare connessioni	67
Cavi e connettori	69
Specifiche	70
Dimensioni	71

ENGLISH

FRANÇAIS

DEUTSCHE

ESPAÑOL

ITALIANO

Introduzione

Grazie per aver acquistato l'altoparlante alimentato Samson Auro Professional. Auro X12D e X15D sono cabinet altoparlante compatti e potenti con una potenza a bordo bi-amplificata di 1000 watt. Auro X12D e X15D, rispettivamente, dispongono di woofer heavy-duty da 12" e 15", a lunga escursione, nonché di driver a compressione in titanio da 1.34" con un'uscita da 1". I pannelli neri offrono due canali di input XLR e 1/4", ciascuno con controlli di volume indipendenti. Comprendono anche un controllo Master Volume, nonché un EQ a 3 posizioni e preset HPF per adattarsi a qualsiasi applicazione. L'Output di Linea XLR consente di collegare a "daisy-chain" diversi cabinet Auro per creare sistemi più grandi di rinforzo sonoro.

Auro X12D e X15D sono dotati di un amplificatore di classe d da 1000 watt, leggero ed efficiente, nonché di tecnologia R.A.M.P. Digital Signal Processing (DSP) di Samson, La R.A.M.P. DSP assicura un massimo di output con una risposta lineare, garantendo al tempo stesso protezione all'altoparlante e ai suoi componenti.

La forma trapezoidale di ciascun mobiletto consente di configurarlo o per un uso "front-of-house" o per il funzionamento come monitor tipo wedge. Inoltre, i mobiletti compatti possono essere facilmente impilati, usando i parabordi incorporati, o possono essere montati su cavalletto usando i ricettacoli di montaggio integrali da 1 e 3/8".

Ciascun involucro durevole del sistema Auro PA è fatto di polipropilene ad alto impatto con una finitura texturata resistente ai segni, e include una griglia di acciaio "heavy-grade" che offre un'eccellente protezione contro l'usura per un audio realmente portatile. I monitor attivi Auro sono ideali per musica live, DJ, conferenze, e installazioni audio applicate, e ovunque si desiderino una grande potenza e qualità audio superiori.

In queste pagine, troverete un'esposizione in dettaglio delle caratteristiche del sistema Auro PA, nonché una descrizione dei suoi pannelli frontale e posteriore, istruzioni passo-passo per la sua configurazione e il suo uso e le complete

specifiche. Troverete anche una scheda di garanzia: non dimenticate di compilarla e di spedirla per avere la possibilità di ricevere supporto tecnico on-line e in modo tale che ci sia possibile inviarvi informazioni aggiornate su questo e altri prodotti Samson, in futuro. Controllare inoltre il nostro sito web (www.samsontech.com) for complete information about our full product line.

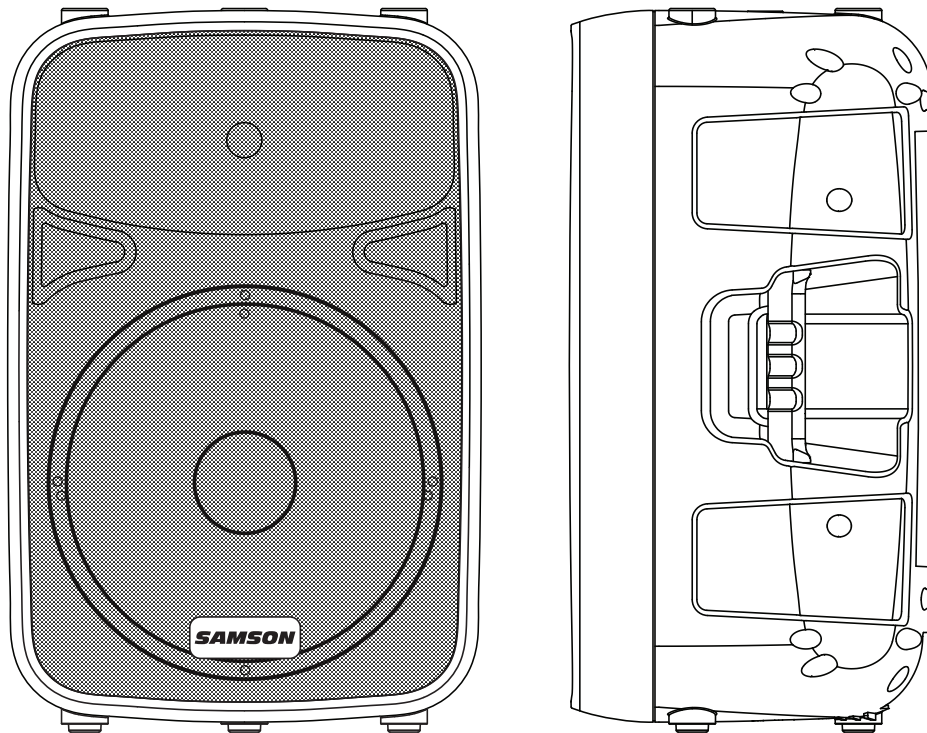
Con una cura appropriata e un'adeguata circolazione d'aria, il mobiletto Auro funzionerà senza problemi per molti anni. Raccomandiamo di registrare il numero di serie nello spazio apposito, per riferimento futuro.

Numero di Serie: _____

Data di acquisto: _____

Qualora la vostra unità dovesse richiedere assistenza, prima della spedizione dell'unità a Samson dovrà essere ottenuto un numero di Autorizzazione al Ritorno (RA). In mancanza di questo numero, l'unità non verrà accettata. Si prega di chiamare Samson al numero 1-800-3SAMSON (1-800-372-6766) per ottenere un numero RA prima di spedire l'unità. Si prega di conservare il materiale originale di imballaggio e, se possibile, di spedire l'unità nel cartone e nei materiali di imballaggio originali. Se avete acquistato il vostro prodotto Samson al di fuori degli Stati Uniti, vi preghiamo di contattare il vostro distributore locale per informazioni sulla garanzia e l'assistenza.

Caratteristiche



- Altoparlanti attivi a due vie da 1000 watt per applicazioni live sound
- Amplificatore leggero di Classe D, ultra efficiente
- Amplificatori 800W LF + 200W HF (picco)
- Risposta in frequenza piatta, ultra-ampia.
- Driver a bassa frequenza long throw, con progettazione customizzata, heavy duty, da 12"/15", provvedono a una risposta dei bassi esaltata.
- Driver a compressione di diaframma da 1.34" in titanio con gola da h 1" per una riproduzione high-end liscia
- Tecnologia DSP R.A.M.P. di Samson
- Controllo Master Volume con indicatore di picco
- Due canali di input combo XLR-1/4" con EQ indipendente
- a 3 posizioni e preset HPF
- Connettori di output di linea XLR per collegare a "daisy-chain" vari cabinet Auro
- Crossover elettronico interno allineato nel tempo 24dB/ottava
- Angoli di monitor di 30 e 45 gradi per copertura di campo vicino e lontano
- Ricettacolo asta per altoparlante di dimensioni standard 1 e 38 di pollice (35mm)
- Design portatile e versatile, con maniglie laterali integrate
- Design bass reflex sintonizzato con porte per un'estremità bassa estesa
- Involucro in robusto polipropilene con design resistente agli urti

Avvio rapido

1. Ruotare completamente in senso antiorario il controllo di livello sul pannello posteriore.
2. Impostare gli switch HPF ed EQ alle posizioni Flat (figura 1).
3. Portare l'interruttore Power su OFF.
4. Connettere o un segnale di livello linea dal mixer (o altra sorgente audio) o un microfono al jack di Input 1 o un segnale di livello linea al jack di Input 2 sul pannello posteriore (figura 2) dell'Auro X12D/X15D. Se si usa un microfono, impostare l'interruttore Mic/Line alla posizione microfono.
5. Connettere il cavo di alimentazione fornito all'entrata AC Power sul retro dell'altoparlante. Inserire il cavo di alimentazione in una presa AC (figura 4).
Nota: Assicurarsi sempre che l'uscita AC sia configurata con la tensione corretta, come indicata sul pannello posteriore dell'altoparlante Auro.
6. Spostare l'interruttore Power in posizione ON.
7. Ruotare il controllo Master VOL verso l'alto.
8. Fare emettere un segnale audio dal mixer, oppure parlare nel microfono (figura 4).
9. Aumentare lentamente il controllo di livello di Auro fino a raggiungere il livello desiderato.
10. Se il suono degli altoparlanti arriva distorto o si vede la spia FAULT che lampeggia frequentemente, abbassare un poco il controllo di Input Level su Auro X12D/X15D finché la spia si spegne. Per aumentare il livello di uscita, aumentare il controllo Master VOL.

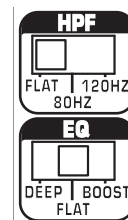


figura 1

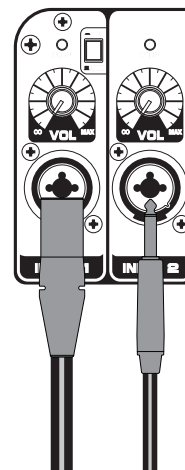


figura 2

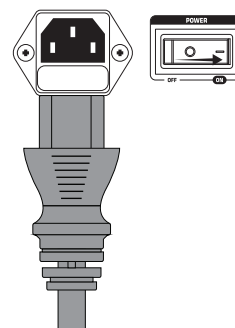


figura 3

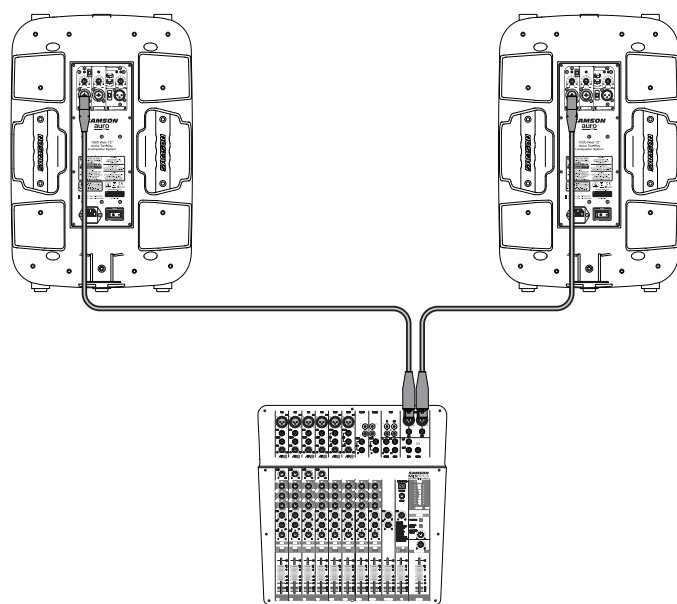


figura 4

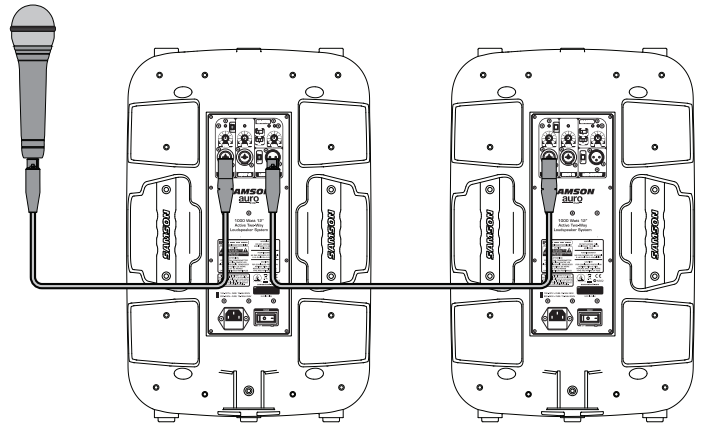
Layout Pannello Posteriore

10. **Commutatore HPF** - Questo commutatore regola la frequenza del filtro passa alto del cabinet. Quando si usa l'altoparlante Auro con un subwoofer, impostare l'interruttore a 80Hz o 120Hz a seconda delle specifiche del subwoofer. Si raccomanda anche impostare l'HPF a 120Hz quando si usa l'altoparlante Auro come monitor del pavimento, per limitare il build up di bassa frequenza sulla scena.
11. **Spia LIMITER** - Questo LED GIALLO si accende quando l'amplificatore è prossimo al punto di clipping e il limitatore è inserito. Se l'indicatore LIMITER si accende spesso, abbassare il controllo Master VOL o i controlli INPUT VOL sull'altoparlante Auro o abbassare il segnale alla sorgente, fino a che l'indicatore non è più acceso, o si accende solo occasionalmente con alti picchi di segnale.
12. **Spia FAULT** - Questo LED si accende in ROSSO quando l'input è sovraccarico, l'amplificatore si surriscalda o quando vengono rilevati altri problemi. Se la spia FAULT si accende a causa del surriscaldamento dell'amplificatore, l'amplificatore limiterà l'audio e abbasserà il livello di uscita. Quando l'unità si raffredda, la spia FAULT si spegne e l'amplificatore torna al livello di uscita normale.
13. **Line Output** - Connettore XLR maschio che serve a collegare vari cabinet Auro.
NOTA: Quando si connette un altoparlante al Line Output di Auro X12D o X15D, è importante accendere prima l'altoparlante principale Auro, e quindi accendere l'altoparlante collegato. Quando si spegne il sistema, si raccomanda di spegnere tutti gli altoparlanti connessi e quindi di spegnere l'altoparlante Auro principale.
14. **Commutatore MIX 1/2 e THRU** - Questo commutatore serve a selezionare il segnale che viene inviato al Line Output. Quando il commutatore è in posizione up (MIX 1/2) il segnale del Line Output è un misto dei segnali Input 1 e Input 2. Quando il commutatore è in posizione giù (THRU), il Line output reca solo il segnale Input 2.
15. **Commutatore Power** - Questo commutatore a bilanciere accende e spegne l'alimentazione principale di Auro. L'interruttore si accende in ROSSO quando l'amplificatore è attivo.
NOTA: È importante ricordare la Regola d'Oro dell'audio: "LAST ON, FIRST OFF." Tradotto, ciò significa che quando si accende il sistema si devono sempre accendere gli altoparlanti per ULTIMI, mentre quando si spegne gli altoparlanti vanno spenti per PRIMI. Ciò aiuta a evitare qualsiasi forte schiocco causato dall'afflusso di corrente all'accensione, che in qualche caso può danneggiare gli altoparlanti.
16. **Copertura fusibile** - Il fusibile si trova dietro alla copertura fusibile. Sostituire sempre i fusibili con fusibili dello stesso tipo.
17. **Ingresso Power AC** - Connettere qui il cavo standard di alimentazione fornito IEC a 3 poli.
Nota: Non disconnettere mai il contatto di terra della spina. È pericoloso e può causare scosse elettriche!

Fare connessioni

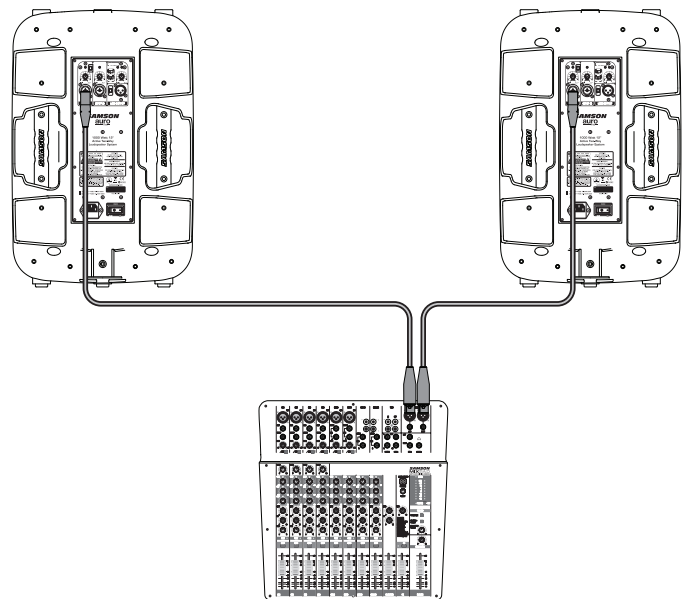
Uso di un microfono

- Assicurarsi che l'interruttore di accensione di Auro X12D/X15D sia in posizione off.
- Ruotare il controllo LEVEL completamente in senso antiorario fino alla posizione off.
- Connettere il cavo di alimentazione a una presa AC.
- Usando un cavo standard XLR, inserire un microfono nell'INPUT 1 XLR di Auro.
- Mettere l'interruttore MIC/LINE in posizione MIC (giù)
- Impostare il commutatore MIX 1/2 e THRU in posizione MIX 1/2.
- Mettere l'interruttore in posizione ON.
- Quando si parla o canta nel microfono, aumentare lentamente il controllo LEVEL fino a raggiungere il livello desiderato.
- Per un maggiore rinforzo di suono, si possono far funzionare diversi monitor usando Line Output per connettere a "daisy-chain" un Auro all'altro.



Uso di un segnale stereo Line Level

- Accertarsi che l'interruttore di Auro X12D/X15D sia in posizione off.
- Ruotare il controllo LEVEL completamente in senso antiorario alla posizione off.
- Connettere il cavo di alimentazione a una presa AC.
- Usando cavi standard XLR o da 1/4", connettere i segnali di livello linea da un mixer o da una tastiera negli Input Auro.
- Mettere l'interruttore in posizione ON.
- Ora, riprodurre un segnale audio dal mixer (per esempio musica da un lettore MP3) aumentando lentamente il controllo LEVEL fino a raggiungere il livello desiderato.



Collocazione altoparlanti

Se è possibile, è bene collocare gli altoparlanti a un livello superiore alle teste dell'uditorio. Gli involucri Auro sono dotati di ricettacoli standard da 1 e 3/8" di montaggio su asta con bulloni di bloccaggio, che sono compatibili con le aste altoparlante di una varietà di fabbricanti. In un'ambientazione più piccola, come una caffetteria scolastica, una biblioteca o un negozio di un centro commerciale, si può anche usare l'altoparlante Auro in una delle posizioni a monitor reclinato all'indietro, per migliorare la proiezione degli altoparlanti ed eliminare la necessità di supporti ad asta.

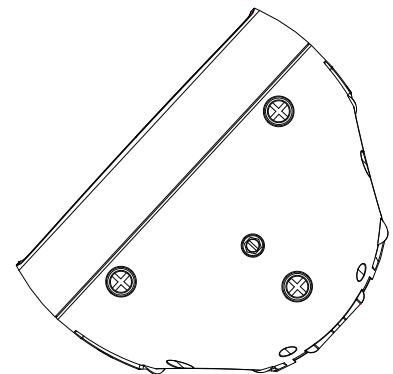
Nota: Quando si usa un supporto altoparlante, accertarsi che l'asta di sostegno sia in grado di reggere il peso dell'altoparlante Auro.

Nota: Fare in modo che vi sia sempre un'altra persona ad assistere quando si monta l'altoparlante Auro su un supporto, o quando si regola il supporto mentre l'altoparlante viene montato sul supporto.



Uso di Auro X12D/X15D come Monitor da pavimento

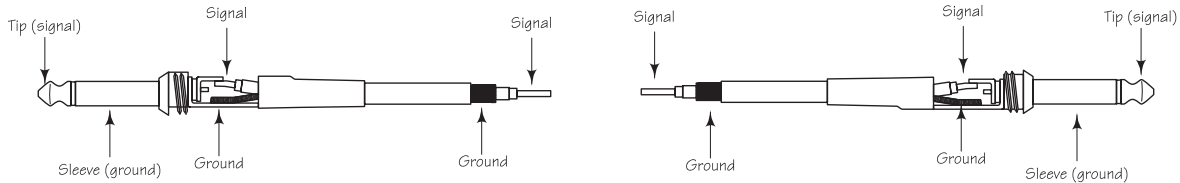
L'Auro X12D/X15D è una soluzione ideale per il monitoraggio di scena e grazie al suo design unico sono possibili due posizioni di monitor a cuneo. Quando viene collocato sul suo lato, con la tromba di alta frequenza rivolta a sinistra dell'involucro, l'Auro è inclinato a un angolo di 30 gradi, ottimizzando la performance quando viene usato su un palcoscenico grande. Quando viene collocato di lato con la tromba di alta frequenza rivolta verso la destra dell'involucro, Auro è inclinato a 45 gradi, in modo da ottimizzare la performance quando viene usato su palcoscenici più piccoli.



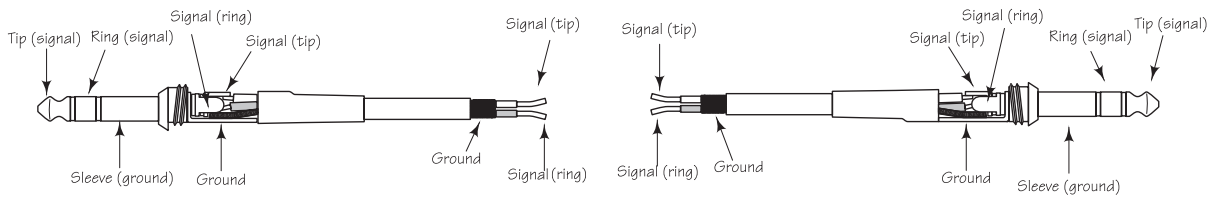
Cavi e connettori

Auro X12D/X15D è dotato di input e output bilanciati, per cui è accettabile la connessione di segnali bilanciati e sbilanciati. Se possibile, usare connessioni bilanciate ad altre apparecchiature per sopprimere l'interferenza.

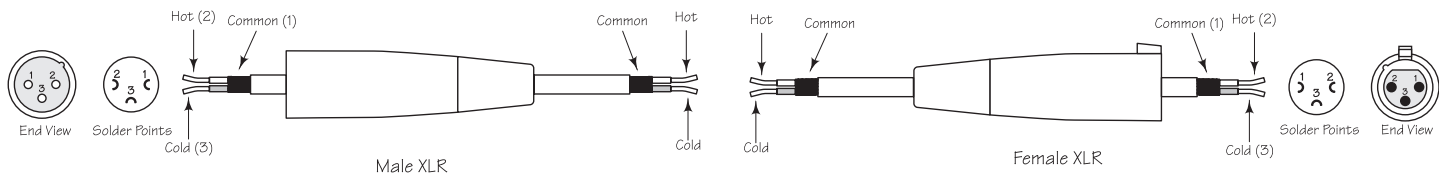
Unbalanced 1/4" Connector



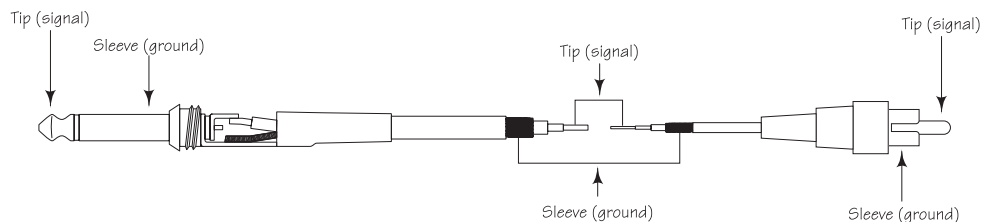
Balanced TRS 1/4" Connector



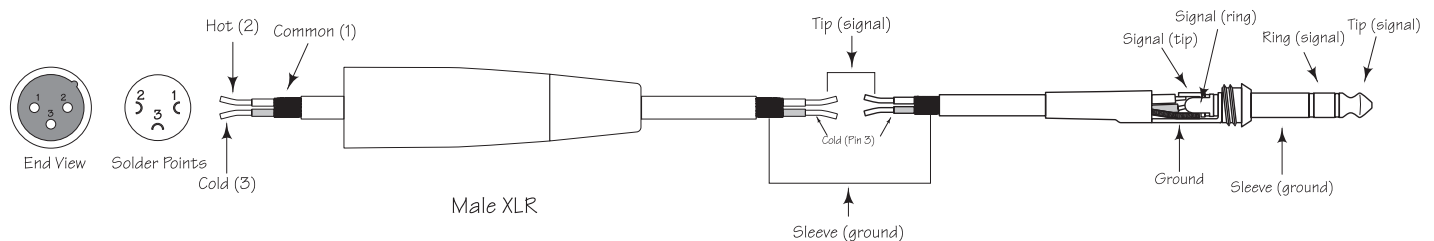
XLR to XLR Balanced



Unbalanced 1/4" Connector to RCA



XLR to Balanced 1/4-Inch



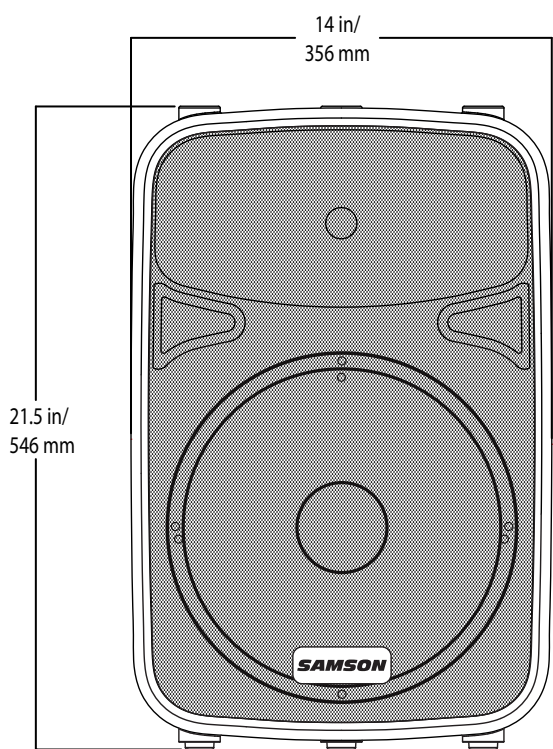
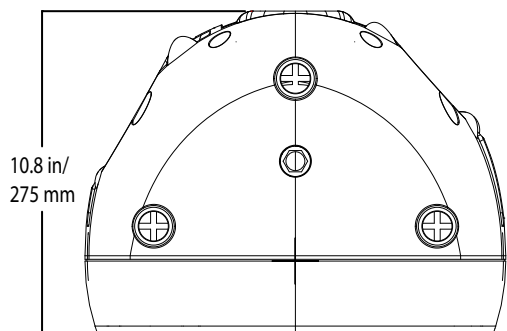
Specifiche

		X12D	X15D
Potenza di uscita			
Bassa frequenza	Potenza RMS	400 W @ 8 ohms	
	Potenza di picco	800 W @ 8 ohms	
	THD	< 1 %	
Alta frequenza	Potenza RMS	100 W @ 8 ohms	
	Potenza di picco	200 W @ 8 ohms	
	THD	< 1 %	
Trasduttori			
Bassa frequenza	Trasduttore dei bassi da 12", voice coil da 3"		Trasduttore dei bassi da 15", voice coil da 3"
Alta frequenza	Driver a compressione in titanio da 1.34" (34 mm); voice coil in rame edge-wound		
Performance acustica			
Risposta di frequenza (-3 dB)	da 58 Hz a 20 kHz		da 55 Hz a 20 kHz
SPL massimo (Potenza di picco)	125 dB SPL @ 1 m		125 dB SPL @ 1 m
Angolo di copertura orizzontale	90°		
Angolo di copertura verticale	60°		
Crossover elettronico			
Tipo crossover	24 dB/ott Linkwitz-Riley		
Frequenza crossover	2.3 kHz		2.1 kHz
Input/Output			
Inputs	Connettori bilanciati XLR e ¼" (Input 1 Mic/Line Level; Input 2 Line Level)		
Output	Line Output bilanciato XLR		
Commutatori di Equalizzazione			
HPF	Flat, 80Hz, 120Hz		
EQ	Flat, Deep, Boost		
Alimentazione elettrica			
Consumo di potenza	456 W max.		
Connettore AC	3-pin IEC 250 VAC, 20 A maschio		
Fusibile	100 - 127 VAC T6.3AH / 250 V		
	220 - 240 VAC T3.15AH / 250 V		
Dimensioni e peso			
Dimensioni	in	14" L x 10.8" W x 21.5" H	17.75" L x 13.5" W x 27.5" H
	mm	356 mm L x 275 mm W x 546 mm H	450 mm L x 342 mm W x 698 mm H
Peso	lbs	28.5	41.5
	kg	12.8	19
Supporto			
Metodo di montaggio al supporto	Ricettacolo integrale di montaggio ad asta da 1 e 3/8"		
Punto di aggancio	1 x M10		

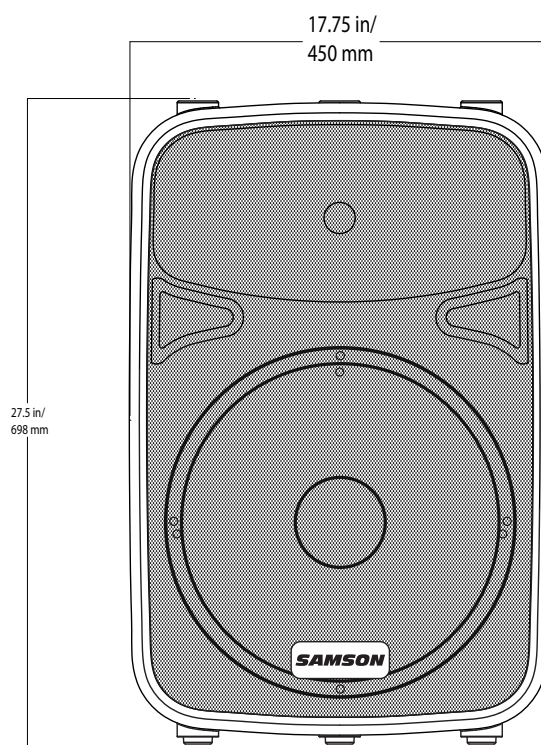
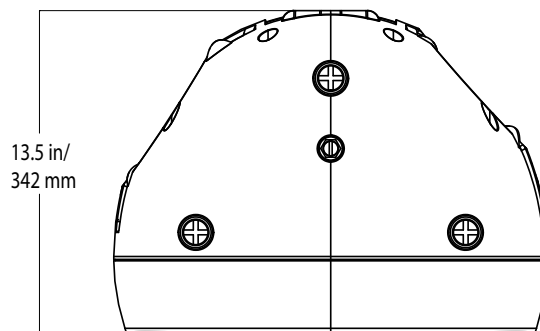
Samson migliora continuamente i suoi prodotti; pertanto, specifiche e immagini sono soggette a cambiamenti senza preavviso.

Dimensioni

X12D



X15D



ENGLISH

FRANÇAIS

DEUTSCHE

ESPAÑOL

ITALIANO

Samson Technologies Corp.
45 Gilpin Avenue
Hauppauge, New York 11788-8816
Phone: 1-800-3-SAMSON (1-800-372-6766)
Fax: 631-784-2201
samsontech.com