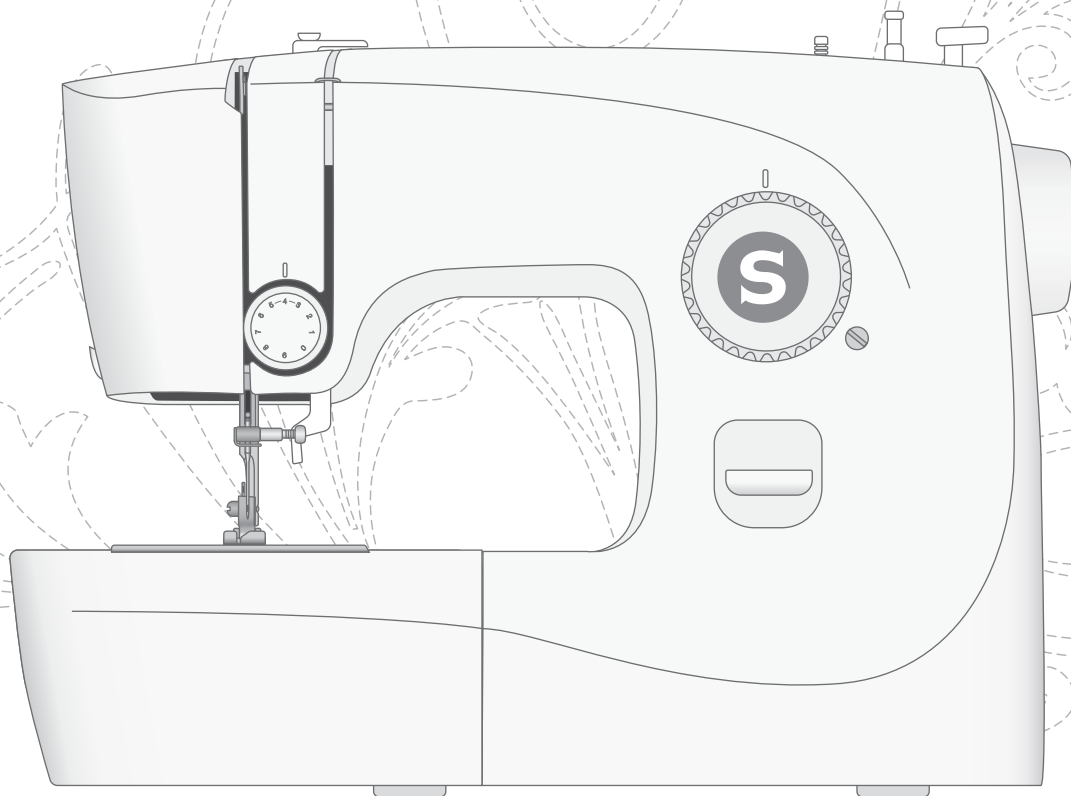




Questo manuale d'istruzione è fornito da trovaprezzi.it. Scopri tutte le offerte per [Singer M1155](#) o cerca il tuo prodotto tra le [migliori offerte di Macchine da Cucire](#)

INSTRUCTION MANUAL

M1150 / M1155



SINGER®

IMPORTANT SAFETY INSTRUCTIONS

Read all instructions before using this household sewing machine.

When using an electrical appliance, basic safety precautions should always be followed, including the following:

Keep the instructions at a suitable place close to the machine. Make sure to hand them over if the machine is given to a third party.

This appliance is intended for use by adults. The appliance can be used with adult supervision by (i) children aged from 8 to 12 years and (ii) persons with reduced physical, sensory or mental capabilities or lack of experience and knowledge if they have been given instruction concerning use of the appliance in a safe way and understand the hazards involved. Cleaning and user maintenance shall not be made by children without supervision. It is not allowed for anyone to play with the machine. Children up to 8 years are not allowed to use the machine.

WARNING –TO REDUCE THE RISK OF BURNS, FIRE, ELECTRIC SHOCK, OR INJURY TO PERSON:

- A sewing machine should never be left unattended when plugged in. The electrical socket, to which the machine is plugged in should be easily accessible. Always unplug this sewing machine from the electric outlet immediately after using and before cleaning, removing covers, lubricating or when making any other user servicing adjustments mentioned in the instruction manual.
- Do not allow to be used as a toy. Close attention is necessary when this sewing machine is used by or near children.
- Use this sewing machine only for its intended use as described in this manual. Use only attachments recommended by the manufacturer as contained in this manual.
- Never operate this sewing machine if it has a damaged cord or plug, if it is not working properly, if it has been dropped or damaged, or dropped into water. Return the sewing machine to the nearest authorized dealer or service center for examination, repair, electrical or mechanical adjustment.
- Never operate the sewing machine with any air openings blocked. Keep ventilation openings of the sewing machine and foot control free from the accumulation of lint, dust, and loose cloth.
- Keep fingers away from all moving parts. Special care is required around the sewing machine needle.
- Always use the proper needle plate. The wrong plate can cause the needle to break.
- Do not use bent needles.
- Do not pull or push fabric while stitching. It may deflect the needle causing it to break.
- Wear safety glasses.
- Switch the sewing machine off (“0”) when making any adjustment in the needle area, such as threading needle, changing needle, threading bobbin, or changing presser foot, etc.
- Never drop or insert any object into any opening.
- Do not use outdoors.
- Do not operate where aerosol (spray) products are being used or where oxygen is being administered.
- To disconnect, turn all controls to the off (“0”) position, then remove plug from outlet.
- Do not unplug by pulling on cord. To unplug, grasp the plug, not the cord.
- The foot control is used to operate the machine. Never place other objects on the foot control.
- Do not use the machine if it is wet.
- If the LED lamp is damaged or broken, it must be replaced by the manufacturer or its service agent or a similarly qualified person, in order to avoid a hazard.

- If the cord connected with the foot control is damaged, it must be replaced by the manufacturer or its service agent or a similarly qualified person, in order to avoid a hazard.

For Overlock Machines only:

- Never operate without a cutter cover or a securely installed coverstitch table.

SAVE THESE INSTRUCTIONS

TABLE OF CONTENTS

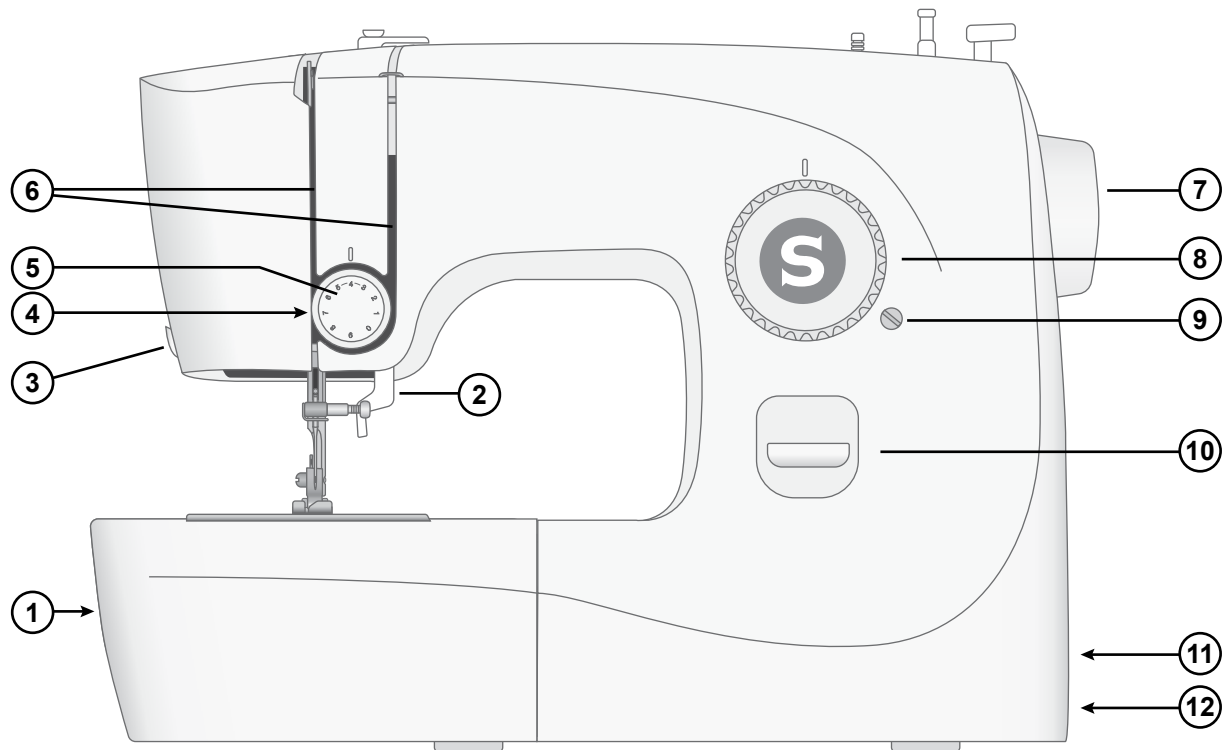
INTRODUCTION	4	SEWING	13
Intended Use	4	Start to Sew – Straight Stitch.....	13
Machine Overview	4	Change Sewing Direction.....	13
Top of Machine	4	Finish Sewing	13
Needle Area.....	5	Multi-Step Zigzag Stitch.....	14
Accessories	5	Blind Hems	14
Included Accessories (Not Pictured).....	5	Darning and Mending	15
Presser Feet.....	6	Repair Large Holes	15
Stitch Overview.....	6	Repair Tears	15
PREPARATIONS.....	7	Four-Step Buttonhole	16
Unpack the Machine.....	7	Buttonhole Balance.....	16
Connect to the Power Supply.....	7	Sew Zippers.....	17
Pack Away after Sewing.....	7	MAINTENANCE.....	18
Free Arm/Removable Accessory Tray	8	Cleaning the Machine.....	18
Presser Foot Lifter.....	8	Cleaning the Bobbin Area.....	18
Thread Knife	8	Cleaning under the Bobbin Area.....	18
Change the Presser Foot	8	Troubleshooting.....	19
Wind the Bobbin	9	Technical Specification	23
Insert the Bobbin	9	Intellectual property	23
Thread the Machine.....	10		
Bring Up the Bobbin Thread	10		
Needles	11		
Important Needle Information	11		
Selection Guide — Needle Size, Fabric, Thread	11		
Change the Needle.....	11		
Thread Tension.....	12		
Select a Stitch.....	12		
Reverse Sewing	12		

INTRODUCTION

Intended Use

Optimal use and maintenance are described in these instructions. This product is not intended for industrial or commercial use. Additional assistance, by region, may be found online at www.singer.com.

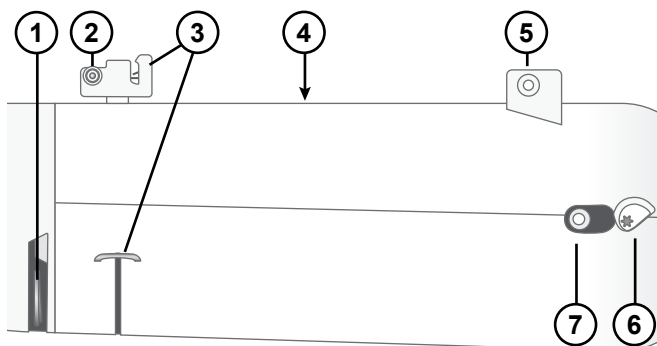
Machine Overview



1. Accessory Tray / Free Arm — provides a flat surface when sewing and allows storage for your accessories. Remove the accessory tray to use the free arm which makes it easier to sew, e.g., trouser hems and sleeves.
2. Presser Foot Lifter
3. Thread Knife — for trimming thread ends at the end of sewing.
4. Thread Tension Disks — positioned behind the thread tension dial.
5. Thread Tension Dial — adjustable for setting the desired tension for your stitch, thread and fabric.
6. Threading Slots — thread paths with tension discs and take up lever.
7. Hand Wheel — used to manually control the movement of the needle and the thread take-up lever.
8. Stitch Selector Dial — is used to select stitch patterns and buttonhole settings (see page 12).
9. Buttonhole Balance
10. Reverse Sewing Lever — press and hold to sew in reverse, e.g., when securing the beginning or ending of a seam.
11. Power and foot control socket
12. On/Off switch

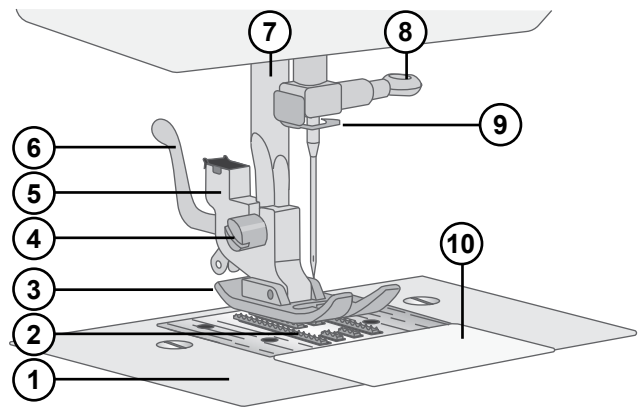
Top of Machine

1. Thread take-up lever
2. Bobbin winding tension disc
3. Thread guides
4. Handle
5. Spool pin
6. Bobbin winding stopper
7. Bobbin winding spindle



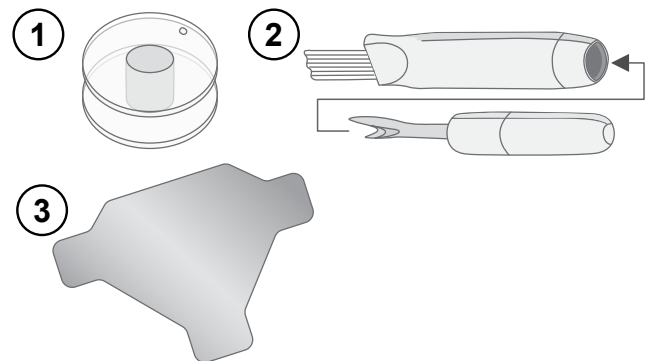
Needle Area

1. Needle Plate — provides a flat area around presser foot for sewing. Guidelines indicate various seam allowances used to guide fabric while sewing.
2. Feed Teeth — feed the fabric under the presser foot when sewing.
3. Presser Foot — holds fabric against feed teeth which draw fabric under the presser foot as you sew.
4. Presser Foot Holder Screw — loosen the screw to remove the presser foot holder.
5. Presser Foot Holder — holds the presser foot.
6. Presser Foot Release Lever — press this lever to release the presser foot from the holder.
7. Presser Foot Bar — accommodates the presser foot holder.
8. Needle Clamp Screw — secures the needle.
9. Needle Thread Guide — helps maintain thread flow when sewing.
10. Bobbin Cover — protects the bobbin while sewing.



Accessories

1. Bobbin x3 — Only use the type of transparent bobbins delivered with your machine (SINGER® Class 15 transparent bobbins). One of the bobbins is inserted in the machine upon delivery.
2. Brush and Seam Ripper — Used to remove stitches/brush off lint.
3. Screwdriver — Used to remove the needle plate, presser foot holder or needle screw.



Included Accessories (Not Pictured)

- Needles
- Foot control
- Power cord

Presser Feet

All-purpose Foot (J) *(attached to the machine upon delivery)*

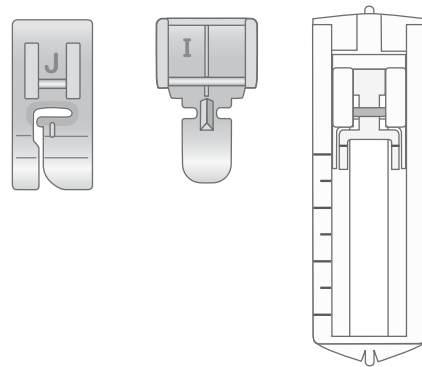
This foot is used for general sewing on most types of fabric. The bottom of the foot is flat, so that the fabric is held down firmly against the feed teeth while sewing. It also has a wide slot so that the needle can move from left to right, depending on which stitch you sew.

Zipper Foot (I)

This foot is used for inserting zippers. Attach the foot to the presser foot holder on either side of the foot, depending on which side of the zipper is being sewn. The Zipper Foot can also be used to create and insert piping.



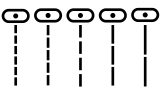

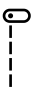

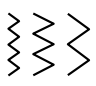

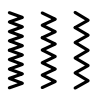







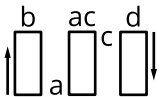
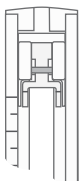
Four-Step Buttonhole Foot (D)

This foot is used for making a 4-step buttonhole. This foot holds the fabric securely as you sew the top, bottom, left side and right side of your buttonhole.



Stitch Overview

The stitches described in the below chart are utility stitches, used mainly for utility sewing. When sewing, use a thread tension between 3–5. Always test sew on a piece of scrap fabric, and adjust the tension if necessary.

			Application
	Straight Stitch Center Position		The basic stitch used for sewing. The most common use for a straight stitch is to sew two pieces of fabric together. Use stitch with longer stitch length when sewing in heavy fabric.
	Straight Stitch Left Position		Use for top stitching.
	Zigzag Stitch		A very versatile stitch for decorative sewing, applique, attaching trims, and more.
	Satin Stitch		Use for decorative sewing and appliqués.
	Multi-Step Zigzag Stitch		Finish seam allowances to prevent the fabric from unravelling. When seam finishing, the smaller step of the stitches will help keep fabric more flat than a regular zigzag. It can also be used for mending tears and sewing elastic.
	Blind Hem Stitch		Sew hems that are practically invisible from the right side of the fabric. It is used for skirts, dresses, trousers, curtains, etc, made with non-stretch fabrics.
	Stretch Blind Hem Stitch		Sew hems that are practically invisible from the right side of the fabric. It is used for garments and other projects made with stretch knit fabrics.
	Buttonhole		Sew buttonholes on home décor, garments, crafts and more.

PREPARATIONS

Unpack the Machine

1. Place the box on a steady, flat surface. Lift the machine out of the box, and remove the packaging.
2. Remove all outer packing material and the plastic bag.
3. Wipe off the machine with a dry cloth to remove any lint and/or excess oil around the needle area.

Note: Your sewing machine is adjusted to provide the best stitch result at normal room temperature. Extreme hot and cold temperatures can affect the sewn result.

Connect to the Power Supply

Among the accessories you will find the power cord and the foot control.

For this sewing machine, foot control model HKT7 (110-120V,50/60HZ,2.0A) / HKT72C (GS AX200-240V, 50HZ,0.5A) manufactured by Zhejiang Huaxing Electric Motor Co.,Ltd (China) must be used.

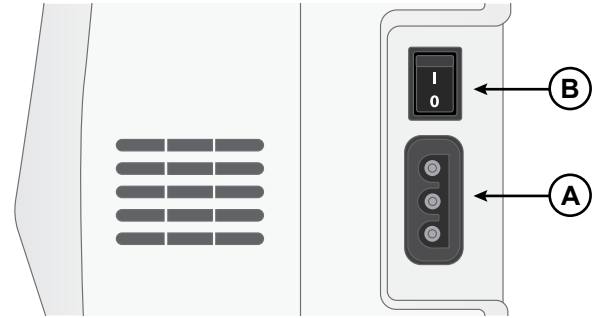
Note: Consult a qualified electrician if in doubt as how to connect the machine to the power source. Unplug the power cord when the machine is not in use.

On the bottom right side of the sewing machine, you find the connecting sockets and the ON/OFF button.

1. Connect the power cord to the socket on the bottom right side of the machine (A). Plug the cord into the wall socket.
2. Press the ON/OFF switch (B) to "I" to turn on power and light.

Sewing speed is regulated by pressing the foot control.

Note: After turning off the machine, residual power may remain in the machine. This could cause the light to stay on for a few seconds while the power is consumed. This is normal for an energy efficient appliance.



For the USA and Canada

This sewing machine has a polarized plug (one blade wider than the other). To reduce the risk of electric shock, this plug is intended to fit in a polarized outlet only one way. If the plug does not fit fully in the outlet, reverse the plug. If it still does not fit, contact a qualified electrician to install the proper outlet. Do not modify the plug in any way.

Pack Away after Sewing

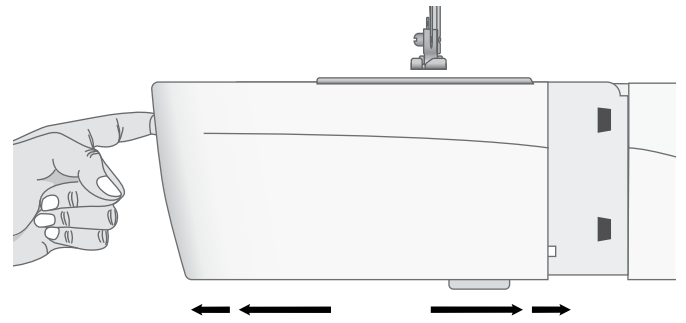
1. Switch the main switch off. After switching off, residual power may still remain in the machine. This may cause the light to stay on for a few seconds while the power is consumed. This is normal behavior for an energy efficient appliance.
2. Unplug the cord from the wall socket and then from the machine.
3. Wind the cord around the foot control for easy storage.
4. Place all accessories in the accessory tray. Slide the tray on to the machine around the free arm.
5. Place the foot control and cord in the space above the free arm.
6. Place the soft cover on the machine to help protect it from dust and lint.

Free Arm/Removable Accessory Tray

Store presser feet, bobbins, needles and other accessories in the accessory tray so that they are easily accessible.

Keep the accessory tray on the machine to provide a larger, flat work surface.

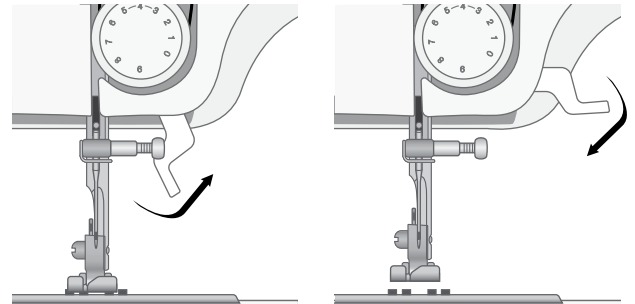
Use the free arm to facilitate sewing trouser legs and sleeve hems. To use the free arm, slide off the accessory tray. When attached, a hook keeps the accessory tray securely attached to the machine. Remove the tray by sliding it to the left.



Presser Foot Lifter

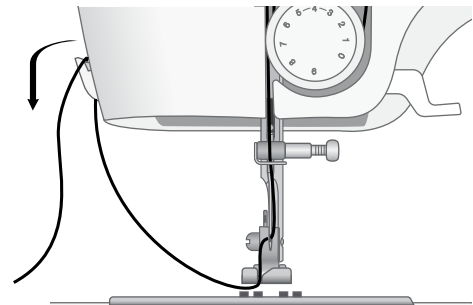
The presser foot lever is located at the side of the sewing machine head. The lever is used to raise and lower the presser foot. Raise the lever up for machine threading, lower it for sewing.

When the foot is in the raised position, press the lever further upward for more room under the presser foot. This is good for sewing thick projects.



Thread Knife

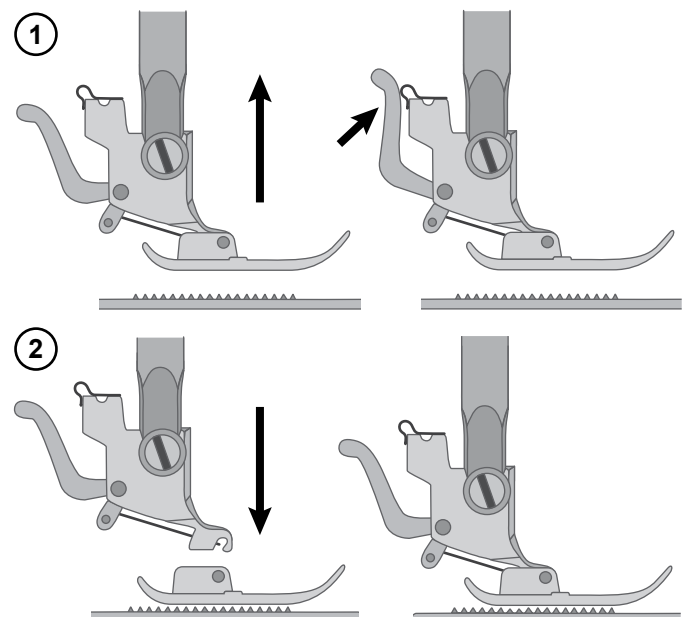
To use the thread knife, pull the thread from back to front as illustrated. Doing this will leave the thread ends long enough so that the needle doesn't become unthreaded when you start to sew again.



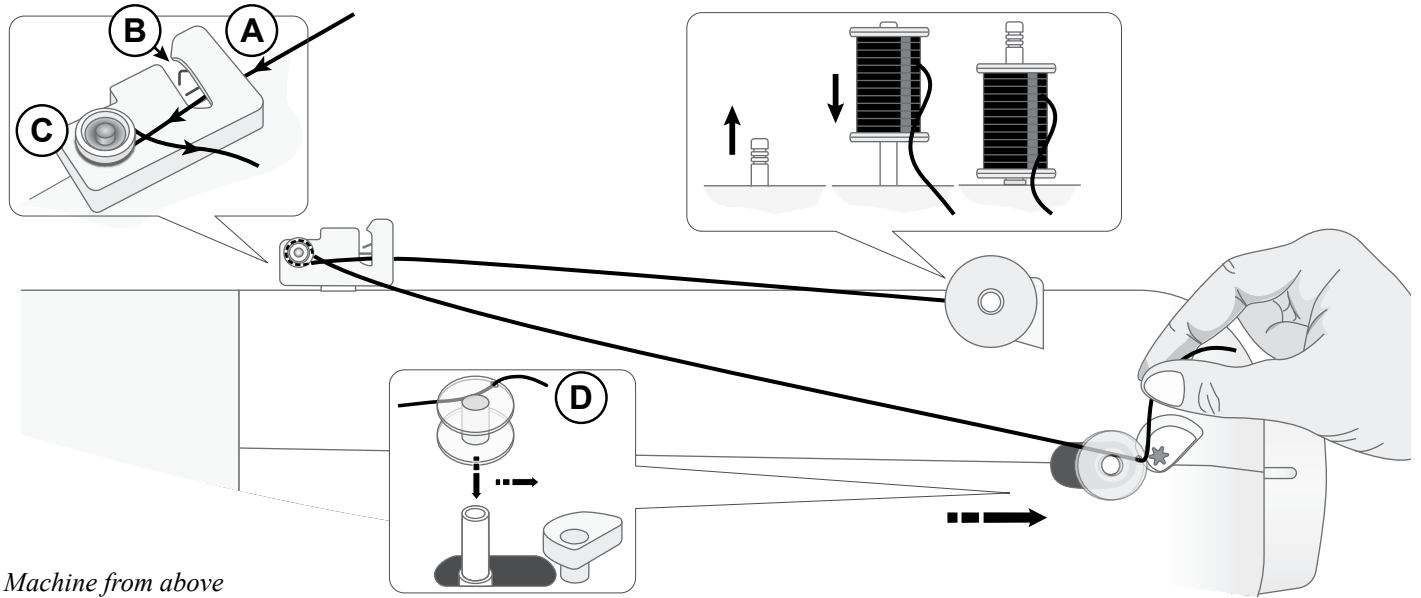
Change the Presser Foot

1. Make sure that the needle is in the highest position and the presser foot is lifted. The presser foot release lever extends out the back of the presser foot holder. Press this lever to release the presser foot.
2. To attach a presser foot to the holder, place the desired presser foot with its pin directly under the slot in the presser foot holder. Lower the presser foot lifter and the presser foot will snap into place.

Note: If you find it difficult to place the presser foot in the correct position, keep the release lever pressed while lowering the presser foot. Use your thumb to carefully guide the presser foot into the correct position and it will snap into place.



Wind the Bobbin



Machine from above

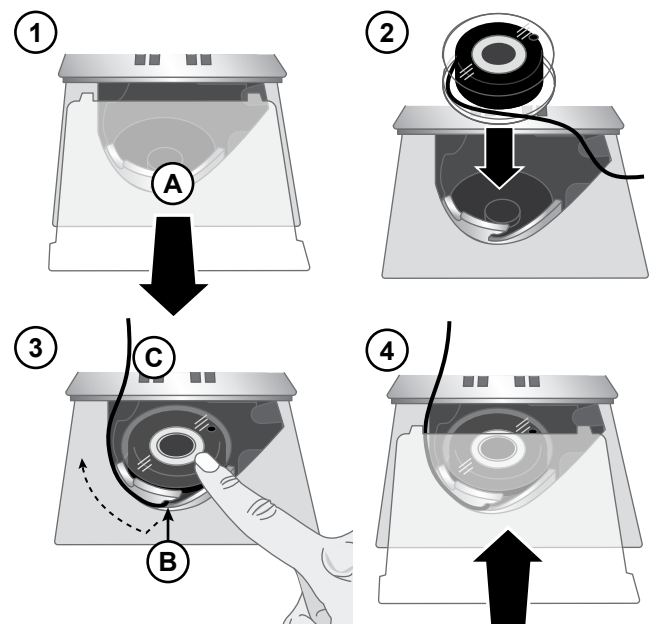
1. Pull up the spool pin to its full extent.
2. Place a thread spool on the spool pin.
3. Place the thread into the thread guide (A) from back to the front. Make sure the threads slips into the spring (B). Bring the thread clockwise around the bobbin winding tension disc (C).
4. Thread through the hole in the bobbin (D) from the inside to the outside.
5. Place the bobbin on the bobbin winding spindle. Make sure the bobbin is pushed down firmly.
6. Push the bobbin winding spindle to the right. Hold the thread end, and press the foot control to start winding. After a few turns, take your foot off the foot control to stop winding. Cut the excess thread tail above the bobbin, making sure to trim it close to the bobbin. Step on the foot control to resume winding. When the bobbin is full, the bobbin winding will slow down.
7. Remove your foot from the foot control to stop winding.
8. Push the bobbin winding spindle to the left. Remove the bobbin and cut the thread.

Note: When the bobbin winding spindle is pushed to the right, the machine will not sew. Make sure to push the bobbin spindle back to the sewing position (left) before sewing.

Insert the Bobbin

Note: Make sure that the needle is fully raised and the machine is turned off before inserting or removing the bobbin.

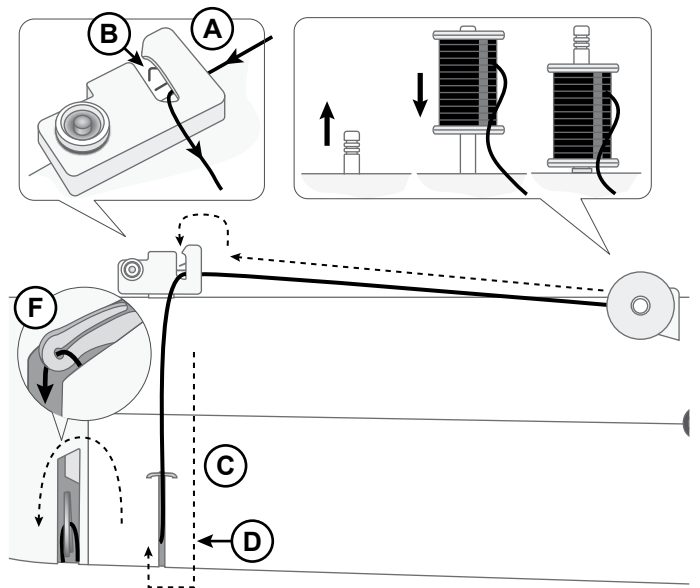
1. Remove the bobbin cover (A) by sliding it towards you.
2. Insert the bobbin in the bobbin case with the thread running in a counterclockwise direction.
3. Pull the thread through the slit (B). Pull out about 15cm (6 inches) of thread and place it to the back over the stitch plate (C).
4. Attach the bobbin cover plate.



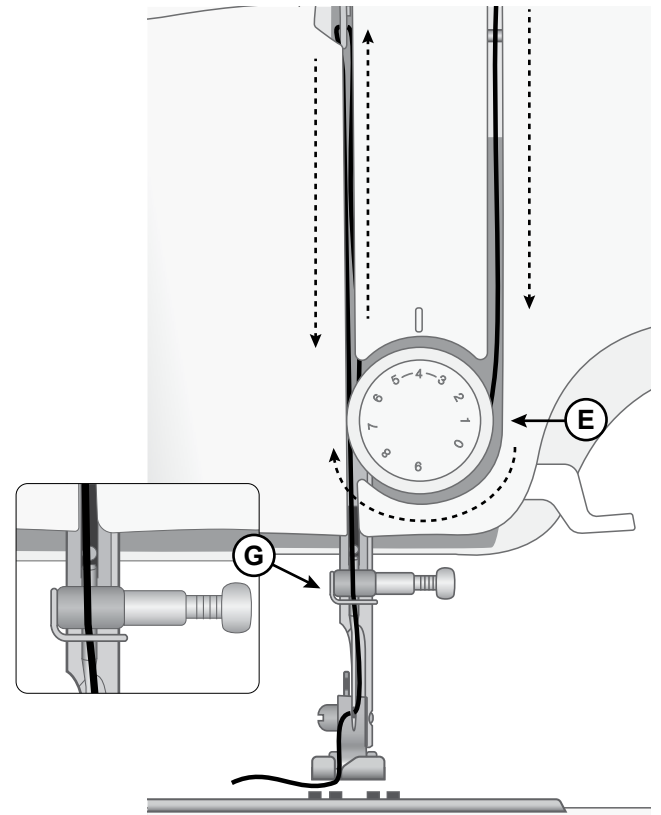
Thread the Machine

Important! Make sure that the presser foot is raised and the needle is in its highest position by turning the handwheel toward you. This is very important to help ensure that the machine is correctly threaded. Not doing so can result in poor stitch quality when you start to sew.

1. Pull up the spool pin to its full extent.
2. Place a thread spool on the spool pin.
3. Place the thread into the thread guide (A) from back to the front. Make sure the threads slips into the spring (B).
4. Pull the thread over the thread guide (C) and down in the threading slot (D).
5. Continue bringing the thread down through the right threading slot, around the the tension dial (E) (make sure the thread slips into the tension discs). Then bring the thread back upwards through the left threading slot.
6. Bring the thread from the right into the take-up lever (F) and down in the left-hand threading slot, and into the needle thread guide (G).
7. Thread the needle from front to back.



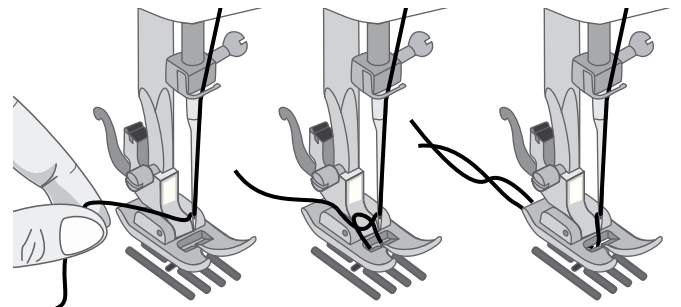
Machine from above



Machine from front


Bring Up the Bobbin Thread

1. Hold the upper thread with the left hand. Turn the hand wheel towards you lowering, then raising needle.
2. If it is difficult to raise the bobbin thread, check to make sure the thread is not trapped in the bobbin cover.
3. Gently pull on the upper thread to bring the bobbin thread up through the needle plate hole.
4. Lay both threads to the back under the presser foot. Pull out about 6–8" (15–20cm) of thread behind the needle.



Needles

The sewing machine needle plays an important role in successful sewing. Use only quality needles. We recommend needles of system 130/705H. The needle package included with your machine contains needles of the most frequently used sizes.

 *Be sure to match the needle to the thread you are using. Heavier threads require a needle with a larger needle eye. If the needle eye is too small for the thread the needle threader may not work properly.*

Note: To avoid the needle break, use only medium/low speed and recommended needle on thick fabrics works.

Important Needle Information

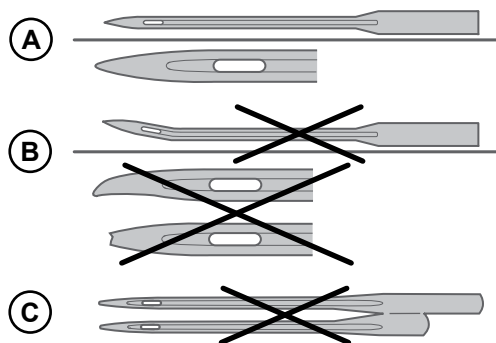


Change the needle often. As a general rule, needles should be changed every 6-8 hours of actual stitching time.

Always use a straight needle with a sharp point and make sure the point is not bent or damaged (A).

A damaged needle (B) can cause skipped stitches, breakage or snapping of the thread. It can also damage the needle plate.

Do not use asymmetrical twin needles (C), they can damage your sewing machine.



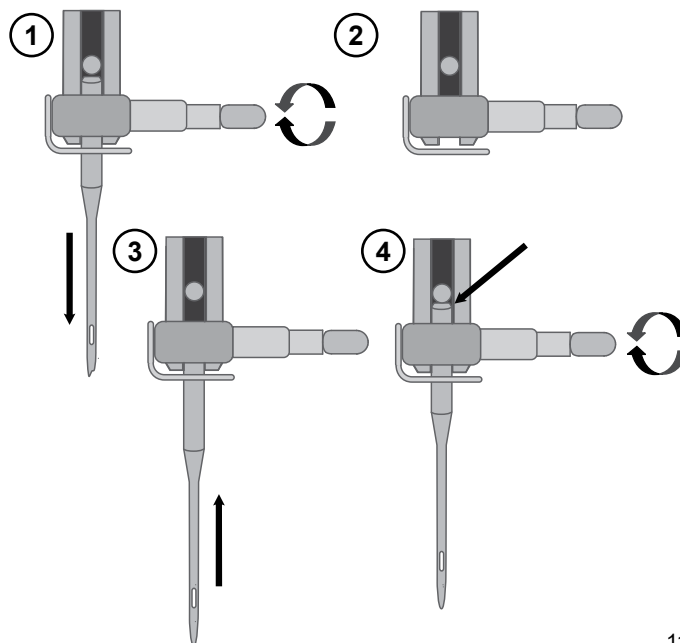
Selection Guide — Needle Size, Fabric, Thread

Needle Size	Fabric	
70 (9) 80 (12)	Lightweight fabrics: Fine cotton, voile, silk, muslin, interlock, tricot, jersey, crepe, polyester, chiffon, organza, organdy	Light duty all-purpose thread
80 (12) 90 (14)	Medium weight fabrics: Quilting cotton, satin, double knit, lightweight wool, rayon, polyester, lightweight linen	Use polyester threads on synthetic fabrics and all-purpose or cotton thread on natural fabrics for best results.
90 (14)	Medium weight fabrics: Firm woven, medium weight linen, cotton/polyester blend, terrycloth, chambray, double knit	
100 (16)	Heavy weight fabrics: Canvas, wool, denim, home decor, fleece, heavy knit	Polyester or all-purpose thread.
110 (18)	Heavy weight fabrics: Coat weight wool, upholstery fabrics	Heavy duty thread for needle, with all-purpose thread for the bobbin.

Change the Needle

Note: Before you begin changing the needle, it can be helpful to place a small piece of paper or fabric underneath the needle area, over the hole in the needle plate, so that the needle doesn't accidentally fall down into the machine.

1. Loosen the needle clamp screw. If it feels tight, use the screwdriver from your accessories to aid with loosening the screw.
2. Remove the needle.
3. Push the new needle upwards into the needle clamp with the flat side of the needle away from you.
4. When the needle will go up no further, tighten the screw securely.



Thread Tension

To set the thread tension, turn the dial on the front of the machine. Depending on the fabric, thread, etc, the tension may need to be adjusted. For the best stitch appearance and durability, make sure the needle thread tension is correctly adjusted.

When sewing, use a thread tension between 3–5

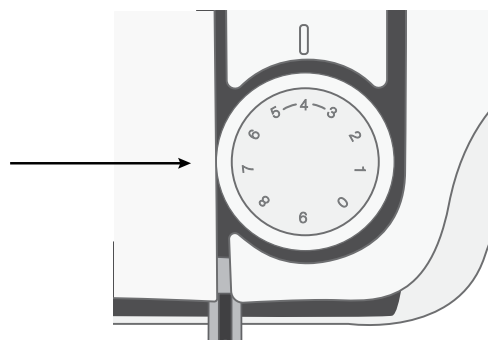
For general sewing, the threads evenly meet between the two layers of fabric (A).

If the bobbin thread is visible on the top side of the fabric, the needle thread tension is too tight (B). Reduce the needle thread tension.

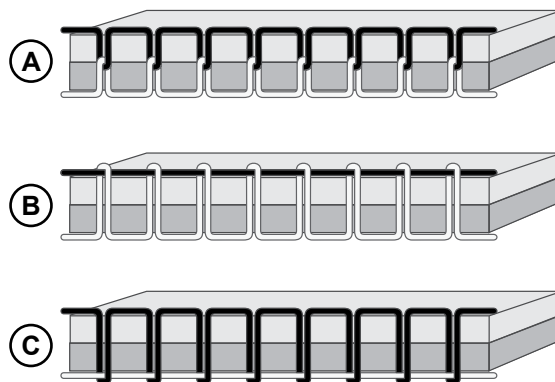
If top thread is visible on the underside of the fabric, the needle thread tension is too loose (C). Increase the needle thread tension.

For decorative stitches and buttonholes, the top thread should be visible on the underside of the fabric.

Make a few tests on a scrap piece of the fabric you are going to sew and check the tension.

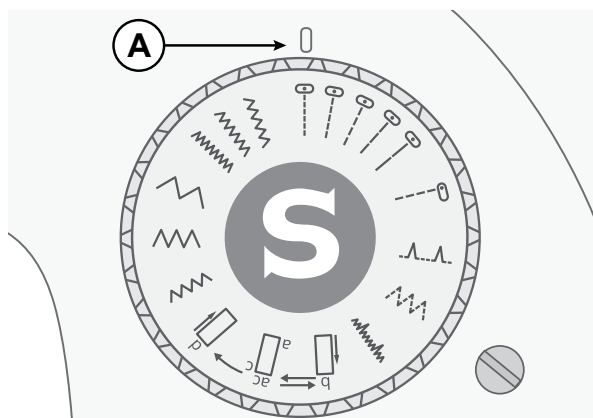


Thread tension dial



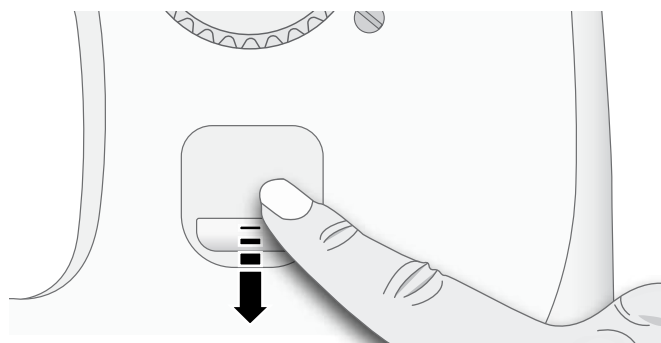
Select a Stitch

Turn the stitch selector dial to the left or right until the stitch you want to sew is lined up with the dot marking above the dial.



Reverse Sewing

To secure the beginning and the end of a seam, press down the reverse lever. Sew a few reverse stitches. Release the lever and the machine will sew forward again.



SEWING

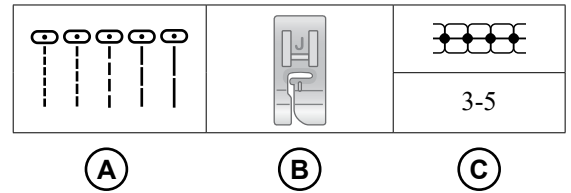
Next to each stitch or sewing technique described in this section of the manual is a chart showing the recommended settings and presser foot. See sample of the chart to the right.

The recommended settings are also shown on the display, but might need adjustment to fit a special technique.

Note: Some fabrics have a lot of excess dye which can cause discoloration on other fabric but also on your sewing machine. This discoloring may be very difficult or impossible to remove. Fleece and denim fabric in especially red and blue often contain a lot of excess dye. If you suspect that your fabric/ready-to-wear garment contains a lot of excess dye, always pre-wash it before sewing to avoid the discoloring.

Note: For best sewing result, use the same thread on top and bobbin. If sewing with specialty/decorative threads, use regular sewing thread in the bobbin.

Note: When sewing in light weight fabrics, always use stabilizer under the fabric. This is to make sure the fabric feed correctly and that the stitches are formed correctly.



- A. Stitch
- B. Presser foot
- C. Thread tension

Start to Sew – Straight Stitch

Set your machine for straight stitch (see chart to the right).

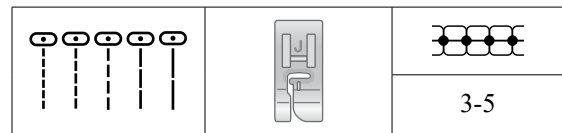
Raise the presser foot and position the fabric under it, next to a seam allowance guide line on the needle plate or bobbin cover.

Place the top thread underneath the presser foot.

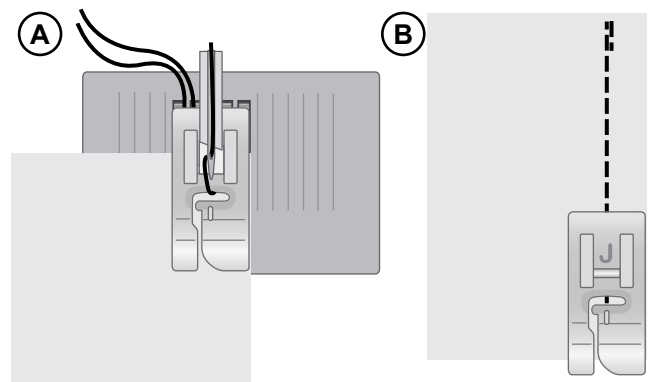
Lower the needle to the point where you want to start. Bring the threads toward the back and lower the presser foot. Press the foot control. Gently guide the fabric along the seam guide letting the machine feed the fabric (A).

Note: Do not forget to bring up the bobbin thread before starting to sew (see page 10.)

To secure the beginning of a seam, press and hold the reverse lever. Sew a few reverse stitches. Release the reverse lever and the machine will sew forward again (B).



Set up for straight stitch

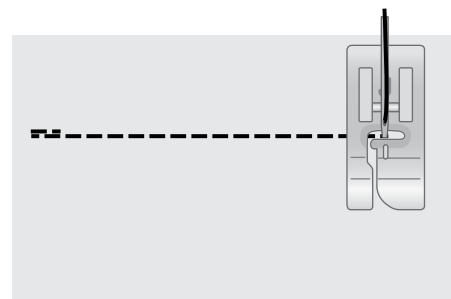


Change Sewing Direction

To change sewing direction, stop the machine and turn the handwheel toward you to bring the needle down into the fabric.

Raise the presser foot.

Pivot the fabric around the needle to change sewing direction as desired. Lower the presser foot and continue sewing in the new direction.



Finish Sewing

Press and hold the Reverse lever and sew a few stitches in reverse when you reach the end of the seam. Release the button and sew forward again to the end of the seam. This will secure the seam so the stitches don't unravel.

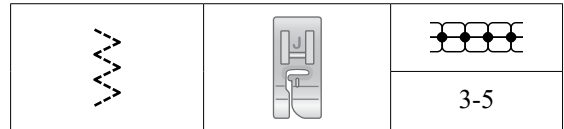
Turn the handwheel toward you to raise the needle to its highest position. Raise the presser foot and remove the fabric, pulling the threads to the back.

Pull the threads up and into the thread knife so that the threads are cut the proper length and your needle won't come unthreaded when you start the next seam.

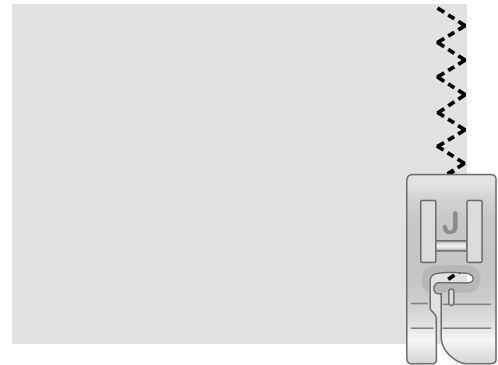
Multi-Step Zigzag Stitch

Multi-step zigzag stitch is used to overcast raw edges. Make sure the needle pierces the fabric on the left side and overcasts the edge on the right side.

The stitch can also be used as an elastic stitch to allow seams to stretch when sewing knit fabrics.

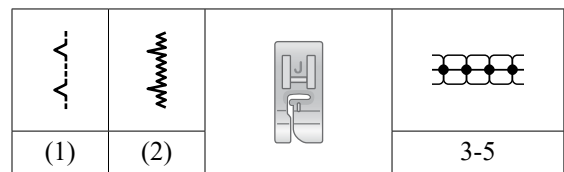


Set up for multi-step zigzag stitch



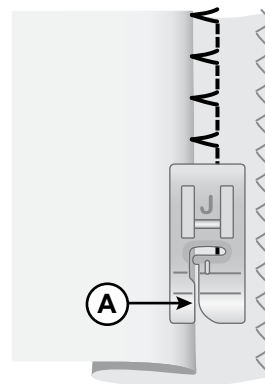
Blind Hems

The blind hem stitch is used to make invisible hems on skirts, trousers and home décor projects. There are two types of blind hem; one is recommended for medium to heavy woven fabric (1), the other for medium to heavy stretch fabric (2).

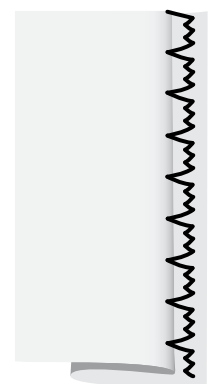


Set up for blind hem

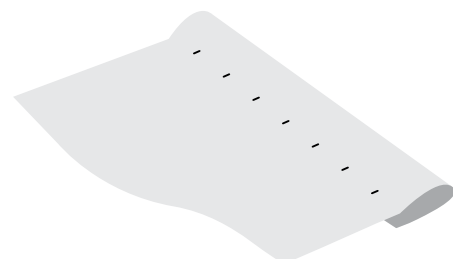
- Finish the raw edge of the hem if sewing on a woven fabric. There is no need to finish the raw edge first on most knits.
- Fold and press the hem allowance to the wrong side.
- Fold the hem back on itself so approximately 3/8" (1 cm) of the finished edge extends beyond the fold. The wrong side of your project should now be facing up.
- Place the fabric under the presser foot so that the fold runs along the presser foot as illustrated (A).
- When the needle swings into the fold it should catch a small amount of fabric.



Woven fabric



Stretch fabric



Right side of fabric

Darning and Mending

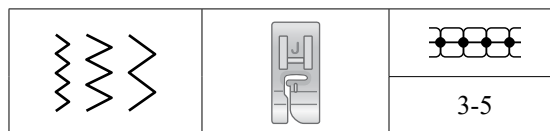
Repair Large Holes

To cover large holes it is necessary to sew a new piece of fabric onto the damaged area.

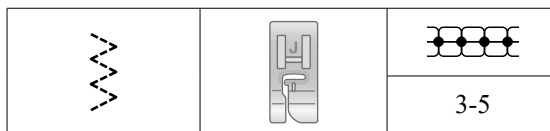
Baste the new piece of fabric onto the damaged area on the right side of the fabric.

Sew over the fabric edges with the zigzag or the multi-step zigzag stitch.

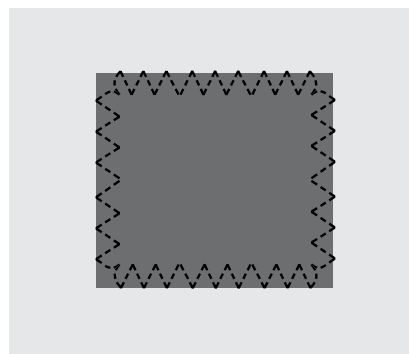
Trim the damaged area close to the seam from the wrong side of the fabric.



Set up for zigzag



Set up for multi-step zigzag



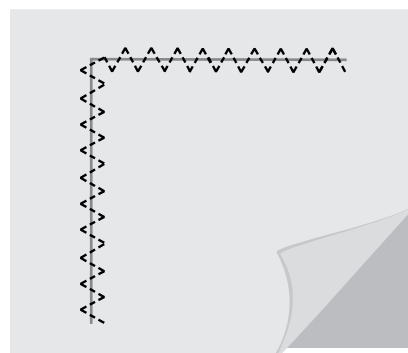
Repair Tears

On tears, frayed edges or small holes it is useful to lay a piece of fabric on the wrong side of the fabric. The underlaid fabric reinforces the damaged area.

Lay a piece of fabric underneath the damaged fabric. It must be a little larger than the damaged area.

Sew over the damaged area using the zigzag or multi-step zigzag stitch.

Trim the piece of fabric used as reinforcement.

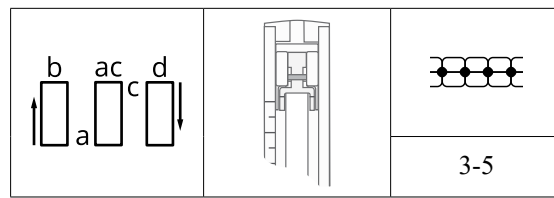


Four-Step Buttonhole

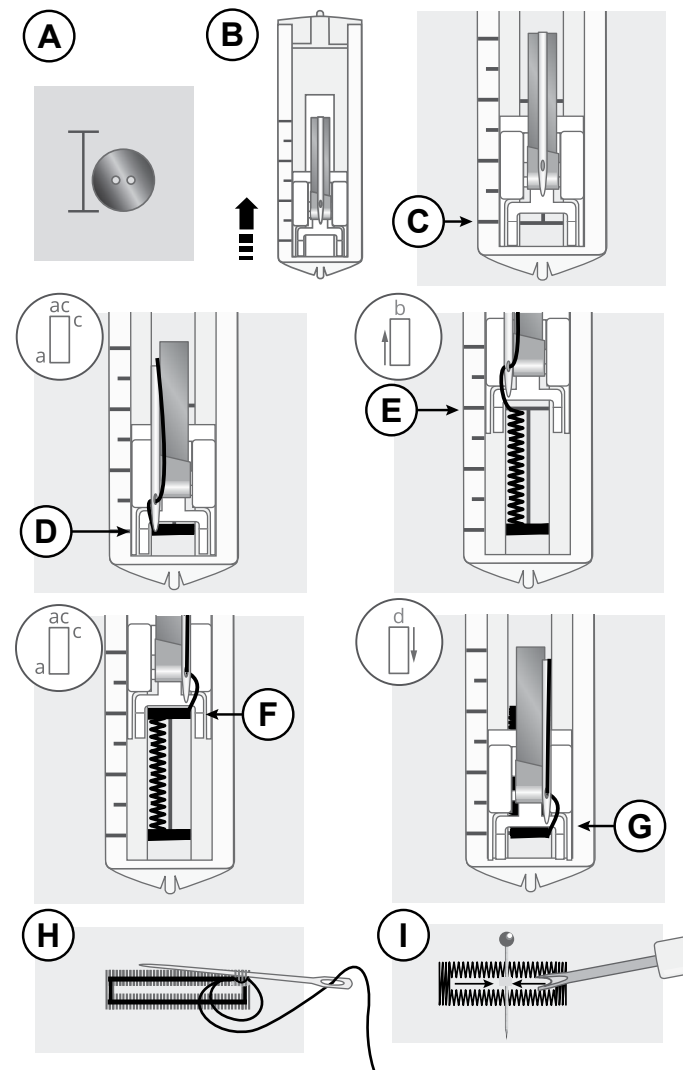
Sew buttonholes perfectly sized for your button. The fabric should be interfaced and/or stabilized where buttonholes are to be sewn.

1. Measure the button to use for your project. Add 5/8 inch (3mm). Use a fabric marking pencil to mark the starting position and length of the buttonhole on the fabric (A).
2. Attach the buttonhole foot and slide the foot backwards as far as it will go (B).
3. Place the fabric underneath the foot, aligning the marks on the foot with lines marked on the fabric (C).
4. Select buttonhole stitch “ac”. Lower the foot and sew 5-6 stitches, to create the first bartack of the buttonhole (D). Stop when the needle is at the left side of the bartack.
5. Raise the needle to its highest position and select buttonhole stitch “b”. Sew the left column backwards to the desired length of the buttonhole (E). Stop when the needle is at the left side of the column.
6. Raise the needle to its highest position and select buttonhole stitch “ac”. Sew the second bartack (F). Stop when the needle is at the right side of the bartack.
7. Raise the needle to its highest position and select buttonhole stitch “d”. Sew the right side of the buttonhole to the same length as the first column (G).
8. To secure the bartack, thread the end of the top thread into a hand sewing needle, pull to the wrong side and tie the end before cutting excess thread ((H).
9. Use a seam ripper and cut the buttonhole open from both ends towards the middle (I).

Note: Always sew a test buttonhole on a piece of scrap fabric.



Set up for buttonhole



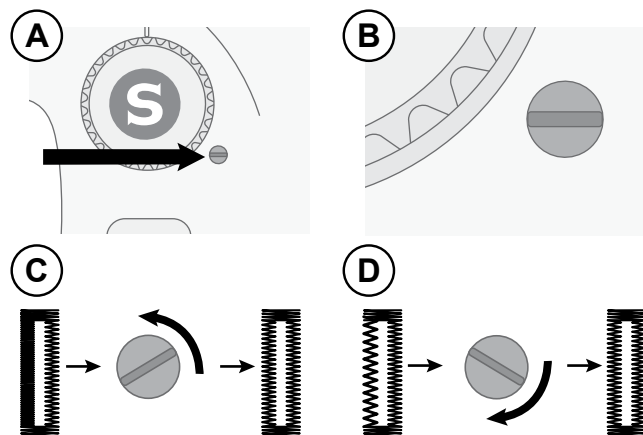
Buttonhole Balance

If the density of the buttonhole columns differ, you can adjust the stitch density of the buttonhole. The buttonhole balance dial (A) is found on the right side of the stitch selection dial. Only the left column of the buttonhole will be adjusted. Balance it to match the right buttonhole column.

Normally, the dial should be placed in a neutral position (B).

If the stitches of the left buttonhole column are too dense, turn the dial to the left (C).

If the stitches of the left buttonhole column are too sparse, turn the dial to the right (D).

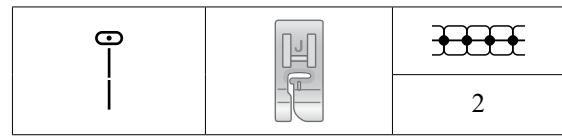


Sew Zippers

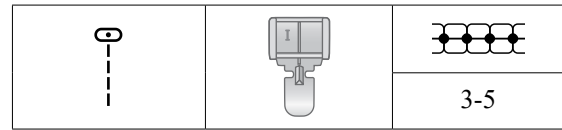
The Zipper Foot can be attached on either the right or the left of the needle, making it easy to sew both sides of the zipper.

To sew the right side of the zipper, attach the foot in the left presser foot position (A).

To sew the left side of zipper, attach the foot in the right presser foot position (B).



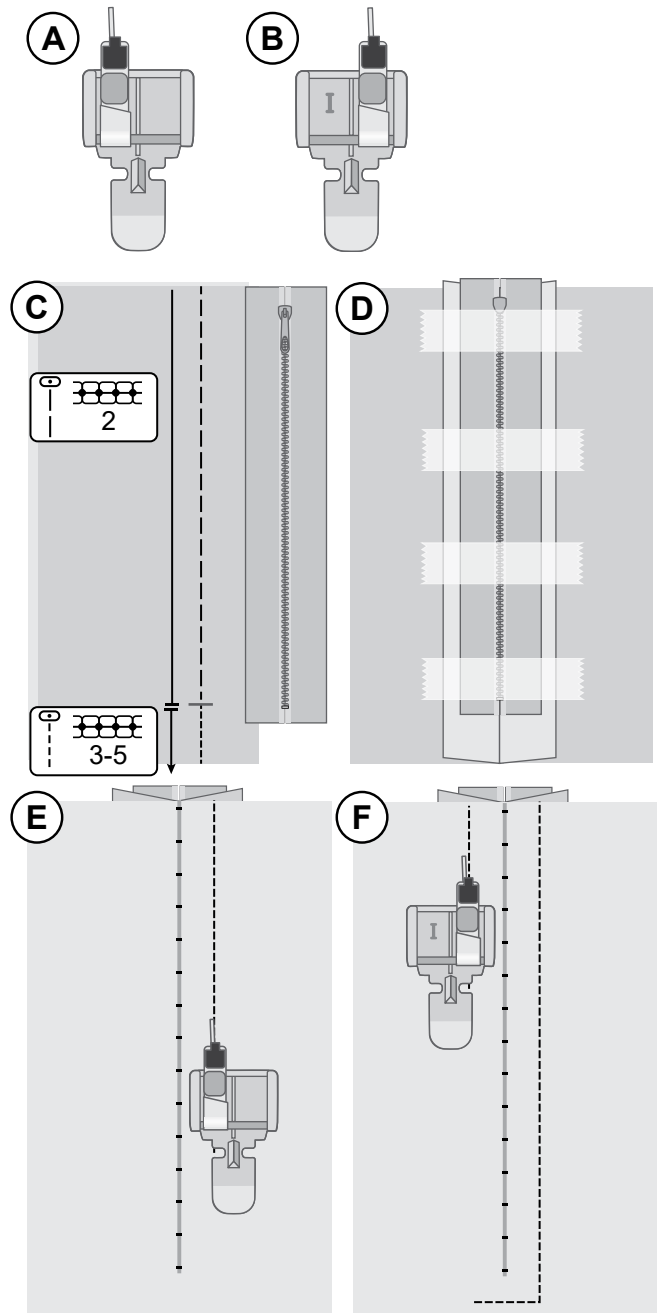
Set up for basting



Set up for sewing zippers

Centered Zipper

- Place the fabric pieces right sides together and pin. Mark the zipper length on your fabric.
- Baste the zipper seam using the specified seam allowance (use straight stitch with the longest stitch length, thread tension 2). Baste to the end of zipper marking (C).
- Set up the machine for straight stitch (see table above), backstitch a few stitches and sew the rest of the seam using the specified seam allowance (C).
- Press the seam allowances open. Place the right side of the zipper to the wrong side of the seam, tape in place (D).
- Flip your project, making sure that the right side is facing up. Snap on the Zipper Foot, to the left side of the needle (A).
- Sew along the right side of the zipper to the end of your zipper, remember to backstitch in the beginning. Stop with the needle down in the fabric, lift the presser foot and turn your project to sew across the bottom of the zipper (E).
- Attach the Zipper Foot to the right side of the needle (B). Sew the remaining zipper side as you did with the first side (F).
- Flip your project to remove the tape on the back side.
- Flip your project to the right side again and remove the basting stitches.




MAINTENANCE

Cleaning the Machine

To keep your sewing machine operating well, clean it often. No lubrication (oiling) is needed. Wipe the exterior surface of your machine with a soft cloth to remove any dust or lint built up.

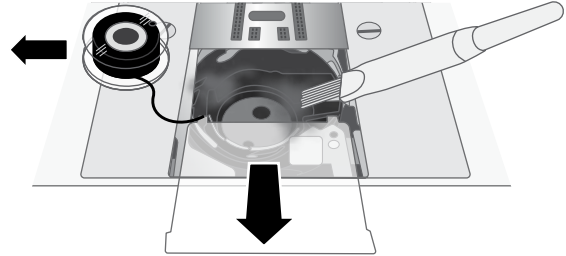
Cleaning the Bobbin Area

 *Raise the needle and turn off the machine.*


Remove the presser foot. Slide off the bobbin cover and remove the bobbin.

Clean the feed teeth and the bobbin area with the brush found among the accessories.

Attach the presser foot, insert the bobbin and replace the bobbin cover.



Cleaning under the Bobbin Area

 *Raise the needle and turn off the machine.*

Clean the area under the bobbin case after sewing several projects or any time you notice an accumulation of lint in the bobbin case area.

Remove the presser foot. Remove the screws in the needle plate by using the screwdriver. Lift up and remove the needle plate.

Remove the bobbin case by lifting it up.

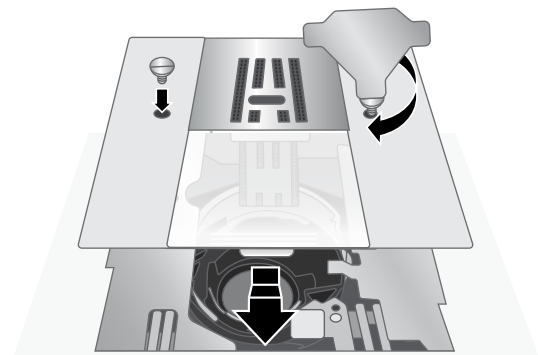
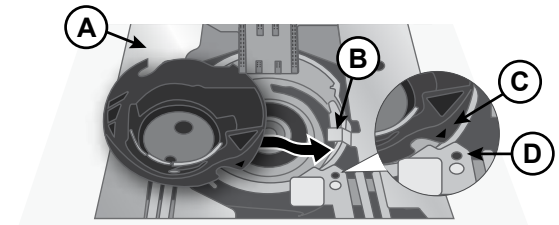
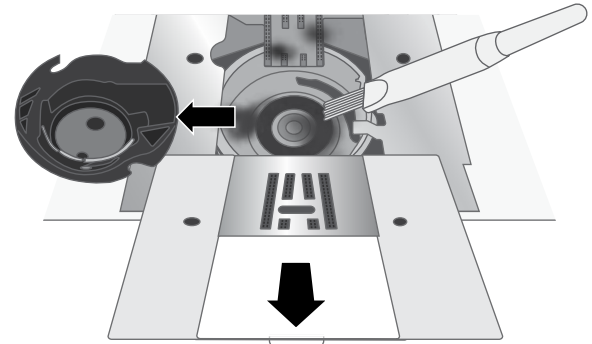
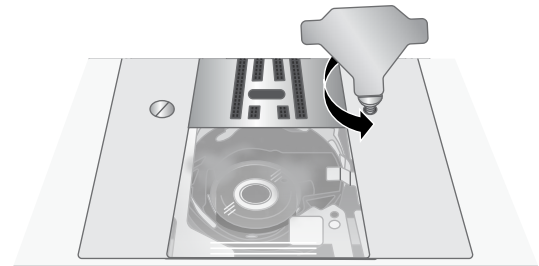
Clean the area with the brush or with a dry cloth.

Note: Do not blow air into the bobbin case area. The dust and lint will be blown into your machine.

Guide the “forked” end of the bobbin case (A) under the feed teeth from left to right. The bobbin case should be placed under the feed teeth and under the spring (B). The mark (C) on the bobbin case should be aligned with the mark (D) on the the hook race for easy placement. Move the bobbin case slightly until it slips correctly into the hook race (E). To make sure the bobbin case is properly replaced, turn the handwheel towards you. The hook race should rotate freely in a counter-clockwise direction.

Place the needle plate over the feed teeth, replace and tighten the screws.

Attach the presser foot and replace the bobbin.



Troubleshooting

Thread Loops on Underside of Fabric

Possible cause: Thread looping on the underside of the fabric is always an indication that the upper thread is not correctly threaded. This happens when the upper thread is not correctly placed in the thread tension mechanism and has not been threaded through the take up lever.

Solution: *Rethread the machine, making sure to first raise the presser foot lifter before starting to thread, so thread can be properly seated in the tension mechanism and take up lever. To know if you have rethreaded the machine correctly, try this test:*

- Raise the presser foot lifter and thread the top of the machine.
- Thread the needle, but don't put the thread under the presser foot yet. As you pull the upper thread to the left, it should pull freely.
- Put the presser foot lifter down. As you pull the upper thread to the left, you should feel resistance. This means you are threaded correctly.
- Put the thread under the presser foot, and then draw up the bobbin thread. Slip both thread tails under the presser foot towards the back. Lower the presser foot and begin sewing.

If you put the presser foot lifter down, but the thread still pulls freely (you feel no difference whether the presser foot is up or down), this means that you have threaded incorrectly. Remove the upper thread and rethread the machine.

Bobbin Thread Breaking

Possible cause: Bobbin threaded incorrectly.

Solution: *Check that bobbin is placed correctly in the bobbin holder.*

Possible cause: Bobbin wound too full or unevenly.

Solution: *Bobbin thread may not have been correctly placed into bobbin winding tension disc during the bobbin winding process.*

Possible cause: Dirt or lint in bobbin holder.

Solution: *Clean bobbin holder.*

Possible cause: Wrong bobbins being used.

Solution: *Use bobbins that are the same style as those that come with the machine (SINGER® Class 15 transparent bobbins) – don't substitute.*

Bobbin Thread Showing on Top of Fabric

Possible cause: Top thread too tight.

Solution: *Reduce upper thread tension.*

Possible cause: Thread path is obstructed, putting extra tension on top thread.

Solution: *Check that the top thread path is not obstructed and thread is moving freely through the thread path.*

Possible cause: Bobbin thread not in bobbin case tension.

Solution: *Rethread bobbin.*

Bobbin Winding Difficulties

Possible cause: Bobbin thread loosely wound on bobbin.

Solution: *Rewind bobbin, making sure that the thread is placed snugly in the bobbin winding tension disc.*

Possible cause: Bobbin winding spindle not fully engaged, therefore bobbin not winding.

Solution: *Check that the bobbin winding spindle has been fully engaged before starting to wind.*

Possible cause: Bobbin is winding sloppily because thread end not held at beginning of winding process.

Solution: *Before starting to wind, hold the thread tail (coming out of the bobbin) securely, allow the bobbin to partially fill, then stop to trim the thread tail close to the bobbin.*

Fabric Puckers

Possible cause: Top thread is too tight.

Solution: *Reduce top thread tension.*

Possible cause: Wrong style needle for fabric type.

Solution: *Use correct needle style and size for your fabric.*

Fabric Is Tunneling Under Stitches

Possible cause: Fabric is not properly stabilized for the density of the stitches (for example, satin stitch applique).

Solution: *Add a fabric stabilizer underneath the fabric to help keep the stitches from tunneling in together, forming a puckered ridge in fabric.*

Loud Noise When Sewing

Possible cause: Thread not in take-up lever.

Solution: *Rethread the machine, making sure the take up lever is in its highest position so thread goes in the eye of the take up lever — turn machine hand wheel toward you to raise the take up lever to its highest position for threading.*

Possible cause: Thread path is obstructed.

Solution: *Check that thread is not caught on the thread spool or behind the spool cap.*

Machine is Not Feeding Fabric

Possible cause: Presser foot lifter has not been lowered onto fabric after threading.

Solution: *Lower the presser foot lifter before starting to sew. Don't "push" or "pull" the fabric as you sew.*

Machine Will Not Run

Possible cause: Bobbin winding spindle is engaged when you try to sew.

Solution: *Disengage bobbin winding spindle by pushing it to the left.*

Possible cause: Power cord and/or foot control not plugged in correctly.

Solution: *Make sure power cord/foot control are correctly seated in machine and power supply.*

Possible cause: Wrong bobbins being used.

Solution: *Use bobbins that are the same style as those that come with the machine (SINGER® Class 15 transparent bobbins)— don't substitute.*

Needles Breaking

Possible cause: Bent, dull or damaged needle.

Solution: *Discard needle, insert new needle.*

Possible cause: Wrong size needle for fabric.

Solution: *Insert appropriate needle for fabric type.*

Possible cause: Machine not threaded correctly.

Solution: *Rethread the machine completely.*

Possible cause: "Pushing" or "pulling" fabric.

Solution: *Don't manually push/pull fabric in order to sew, but allow the machine's feed teeth to draw fabric under the presser foot as you guide it.*

Skipping Stitches

Possible cause: Needle inserted incorrectly.

Solution: *Check that flat side of needle top is toward back of machine and needle is up as far as it can go, then tighten needle clamp screw.*

Possible cause: Wrong needle for fabric sewn.

Solution: *Use correct needle style and size for your fabric.*

Possible cause: Bent, dull or damaged needle.

Solution: *Discard needle and insert new needle.*

Stitches Distorted

Possible cause: “Pushing” or “pulling” the fabric.

Solution: *Don't manually push/pull fabric in order to sew, but allow the machine's feed teeth to draw fabric under presser foot as you guide it.*

Possible cause: Stabilizer may be needed for technique.

Solution: *Place stabilizer underneath fabric.*

Thread Bunching at Beginning

Possible cause: Top and bobbin threads have not been properly placed underneath presser foot before starting to sew.

Solution: *Ensure that both the top thread and the bobbin thread are under the presser foot and toward the back before starting to sew.*

Possible cause: Sewing was started with no fabric under the presser foot.

Solution: *Place fabric under foot, making sure that needle comes down into fabric; lightly hold both thread tails for first few stitches.*

Possible cause: Stabilizer may be needed for technique.

Solution: *Place stabilizer underneath fabric.*

Upper Thread Breaking

Possible cause: Thread path obstructed

Solution: *Check if thread is caught on thread spool (rough spots on the spool itself).*

Possible cause: Machine is not threaded correctly.

Solution: *Remove upper thread completely, raise presser foot lifter, rethread machine making sure thread is in take-up lever (raise take up lever to its highest position by turning hand wheel toward you).*

Possible cause: Upper tension too tight.

Solution: *Reduce upper thread tension.*

Technical Specification

Sewing Speed Maximum 550 +/- 50rpm (using straight stitch with default stitch length)	Rated Voltage 240 V/50Hz, 230 V/50Hz, 220 V/50-60Hz, 127 V/60 Hz, 120 V/60 Hz, 100V/50-60Hz, 120V/60Hz	Presser Foot Rise Height 6.5mm
Protection Class II (Europe)	Stitch Width 0–5.0mm	Stitch Length 0–4.0mm
Type of Lamp LED light	Machine Dimensions Length: ≈425mm Width: ≈174mm Height: ≈320mm	Weight ≈6kg

We reserve the right to change the machine equipment and the assortment of accessories without prior notice, or make modifications to the performance or design. Such modifications, however, will always be to the benefit of the user and the product.

INTELLECTUAL PROPERTY

SINGER, and the Cameo “S” Design, are exclusive trademarks of The Singer Company Limited S.à.r.l. or its Affiliates.



Please note that on disposal, this product must be safely recycled in accordance with relevant National legislation relating to electrical/electronic products. Do not dispose of electrical appliances as unsorted municipal waste, use separate collection facilities. Contact your local government for information regarding the collection systems available. When replacing old appliances with new ones, the retailer may be legally obligated to take back your old appliance for disposal free of charge.

If electrical appliances are disposed of in landfills or dumps, hazardous substances can leak into the groundwater and get into the food chain, damaging your health and well-being.

MANUFACTURER
VSM Group AB
Soldattorpsgatan 3, SE-55474 Jönköping, SWEDEN



SINGER®

ORIGINAL SINCE 1851.