



Questo manuale d'istruzione è fornito da trovaprezzi.it. Scopri tutte le offerte per [TP-Link CPE710](#) o cerca il tuo prodotto tra le [migliori offerte di Altri dispositivi di rete](#)



Questo manuale d'istruzione è fornito da trovaprezzi.it. Scopri tutte le offerte per [TP-Link CPE710](#) o cerca il tuo prodotto tra le [migliori offerte di Wireless e Bluetooth](#)



# Installation Guide

## Outdoor CPE



Get Started with Setup Videos

Scan the QR code or visit

<https://www.tp-link.com/support/setup-video/>

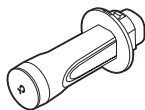
# Contents

<b>Overview</b>	<b>01</b>
Package Contents .....	01
Hardware Overview .....	02
Application Example .....	04
<b>Hardware Connection</b>	<b>05</b>
Site Consideration .....	05
Hardware Installation .....	07
Power Supply .....	14
Lightning & ESD Protection .....	15
Installer Compliance Responsibility .....	16
<b>Software Configuration</b>	<b>17</b>
Logging in to the PharOS .....	17
Configuration for a Typical Application .....	18
<b>Antenna Alignment</b>	<b>20</b>
<b>Specifications</b>	<b>21</b>
<b>FAQ</b>	<b>22</b>

# Overview

TP-Link's Pharos series outdoor CPEs are dedicated to outdoor wireless network solutions.

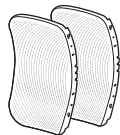
## Package Contents



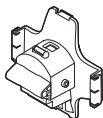
Pharos CPE



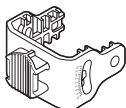
Center Reflector Panel



Side Reflector Panels  
(Qty.2)



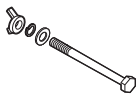
Rear Cover



Mounting Bracket  
(For CPE)



Protective Cap



Hexagon Bolts with Wing Nut  
and Washer Assemblies  
(M6x79)



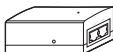
Metal Strap



Power Cord



Mounting Bracket  
(For PoE Adapter)



Passive PoE Adapter



Installation Guide



ST3x16 Self-tapping Screws  
(Qty.2)



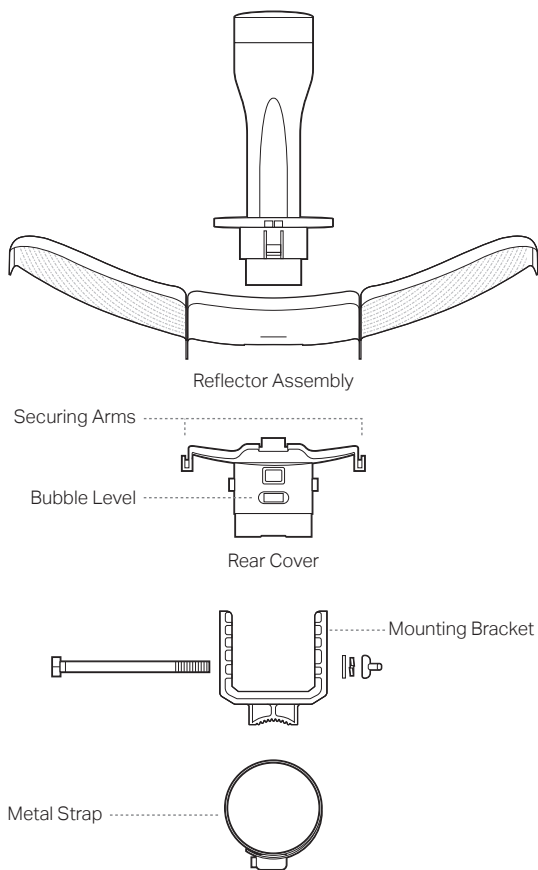
D3x28 Plastic Wall Anchors  
(Qty.2)



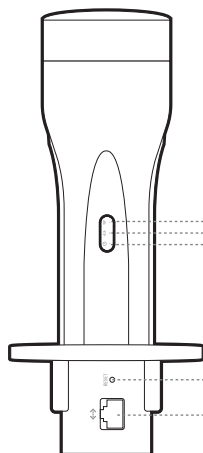
Four M2.5x8 Combination Screws  
with M2.5x2 Nuts  
(QTY.4)  
(Only for CPE710)

# Hardware Overview

- Bottom View



## • Panel Layout



**On:** The wireless function is enabled.

**On:** A device is connected to the ETHERNET port, but there is no activity.

**Flashing:** A device is connected to the ETHERNET port and is active.

**On:** The CPE is powered on.

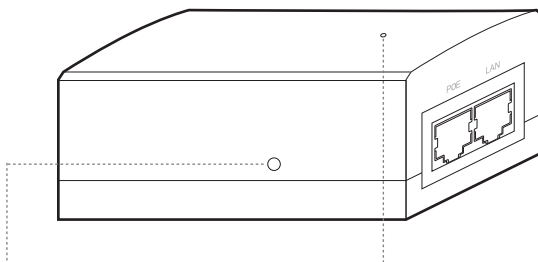
### RESET

Press and hold for 5 seconds to reset the CPE to its factory defaults.

### ETHERNET

The port is used to connect to the POE port of the provided PoE adapter for both data transmission and power supply through Ethernet cabling.

## • Passive PoE Adapter



### Remote Reset

Press and hold for about 5 seconds to reset the CPE to its factory defaults.

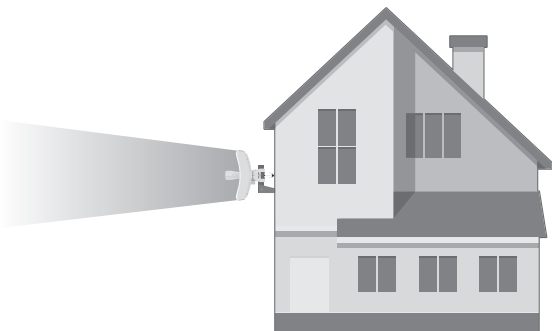
### Power LED

**On:** The CPE is powered on.

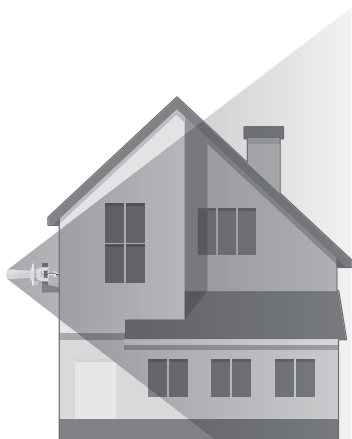
**Off:** The CPE is powered off.

## Application Example

The CPE device with the reflector installed provides outdoor network access over long distances for point-to-point applications.



The CPE device without the reflector installed provides outdoor-to-indoor Wi-Fi coverage with the Feed only mode.

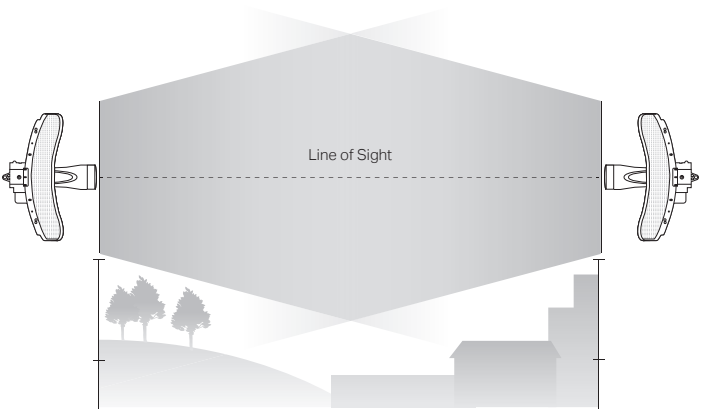


# Hardware Connection

## Site Consideration

- Mounting Height

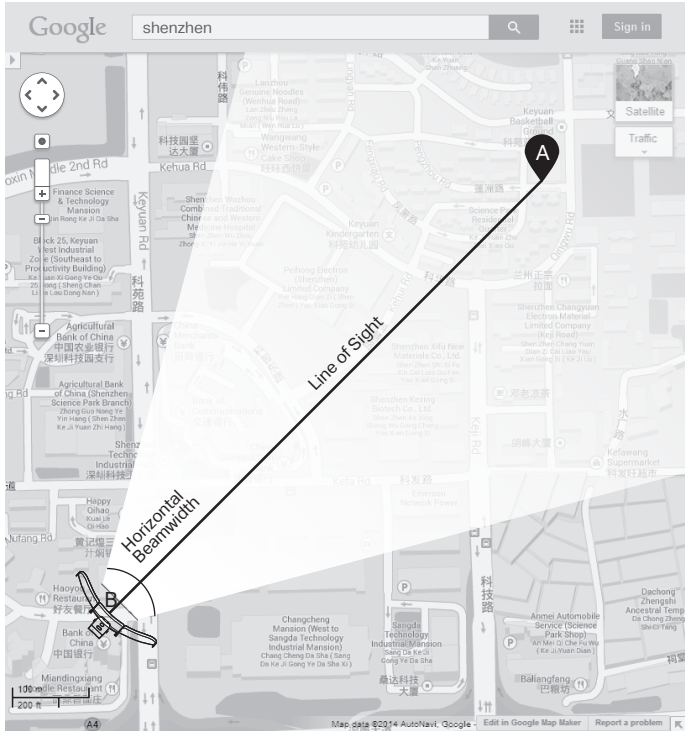
Ensure a clear line of sight between the wireless devices for optimum performance. An elevated location is recommended as obstacles like trees, buildings and large steel structures will weaken the wireless signal. See 'Q2' in 'FAQ' for details about how to calculate the minimum mounting height of the devices.



Side View

## • Orientation

Install the CPE devices and make sure that they point towards the devices that will receive the signal. You can orient the devices with the help of Google Maps, GPS and some landmarks. The horizontal bandwidth of CPE605/CPE710 is 7°.

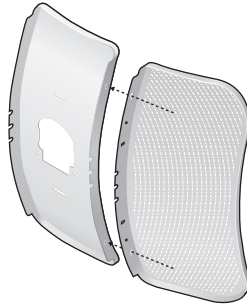


# Hardware Installation

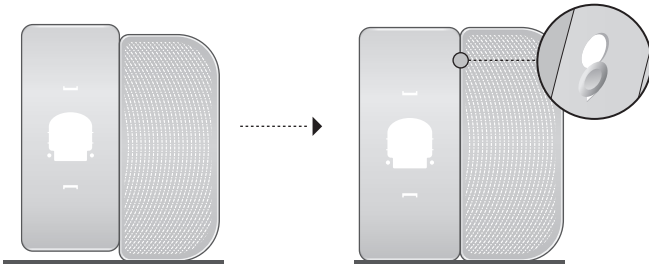
TERMS OF USE: TP-Link's Pharos series outdoor CPEs must be installed by a certified professional. Installers must abide by local rules and regulations in terms of legal frequency channels, output power, and Dynamic Frequency Selection (DFS) requirements.

1. Attach the Side Reflector Panels to the Center Reflector Panel as follows:

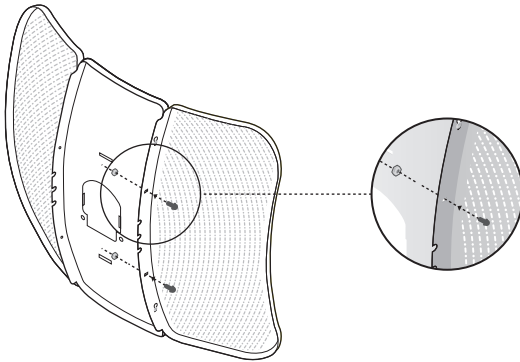
- a. Insert the two mounting studs on the Center Reflector Panel into the large opening of the slots on the Side Reflector Panel.



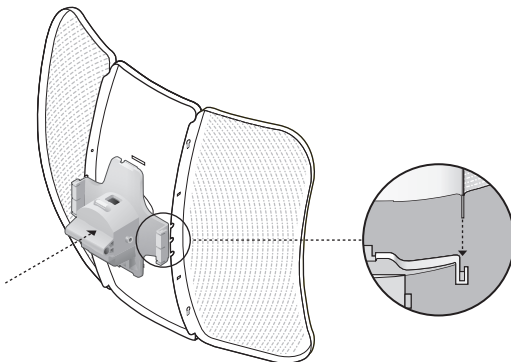
- b. Slide the Side Reflector Panel until the mounting studs are positioned over the narrow opening of the slots, and the top edges of the panels should be aligned when done.



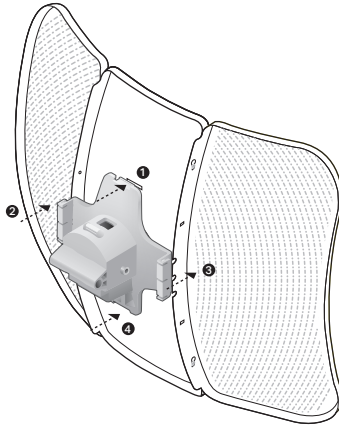
- c. Repeat **step a** and **step b** to attach the other Side Reflector Panel.
- d. Attach the Side Reflector Panels to the Center Reflector Panel more securely using four M2.5\*8 combination screws with M2.5\*2 nuts (only provided with CPE710).



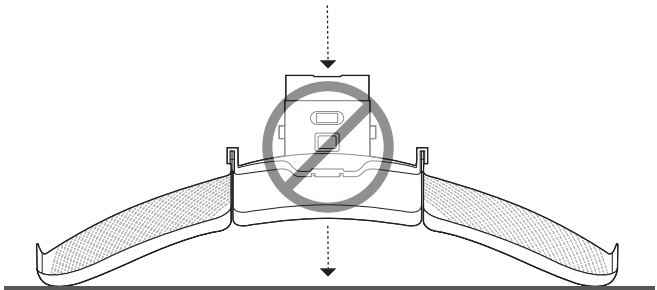
2. Attach the Rear Cover to the reflector assembly as follows:
- a. While holding the reflector assembly, align the raised edges on the back with the Securing Arms of the Rear Cover, and align the Snap Hooks on the Rear Cover with the slots on the Center Reflector Panel.



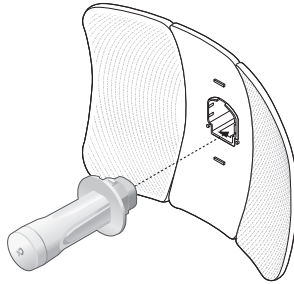
b. Attach the Rear Cover to the reflector assembly. Press upon the Rear Cover at the four positions marked in the diagram below in sequence until it locks into place.



**WARNING:** To avoid damage, do not place the panels on a flat surface or push down on it.



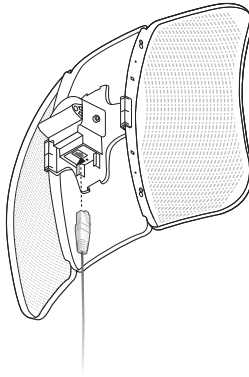
3. Insert the Pharos CPE into the Rear Cover until the CPE locks into place.



4. Connect the Ethernet cable to the Pharos CPE.

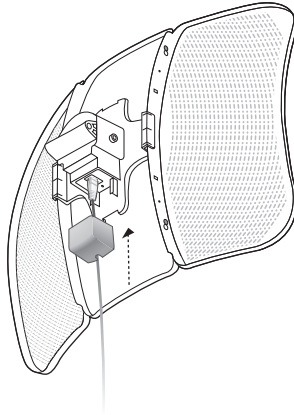
a. Connect the Ethernet cable to the Ethernet port.

**Note:** The length of the Ethernet cable is up to \*60m for steady power supply.

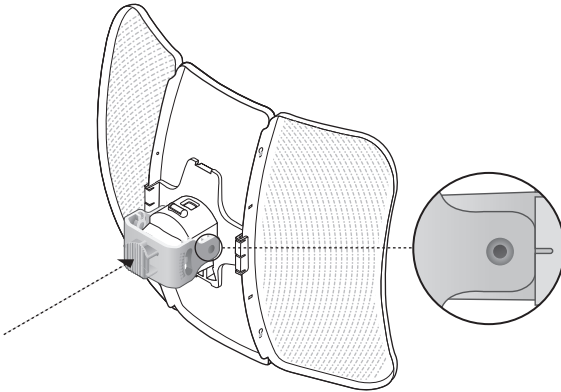


\* Power supply distances are based on test results under normal usage conditions. Actual power supply distance will vary as a result of 1) AP status, including transmit power, connected devices and network traffic and 2) cable properties, including type and texture.

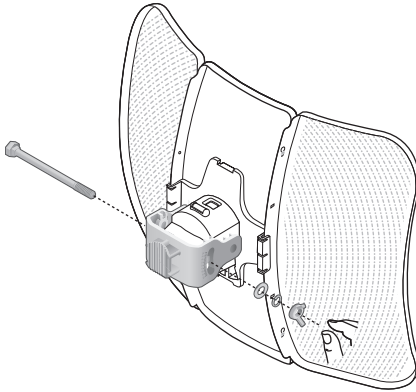
b. Attach the Protective Cap to the Rear Cover



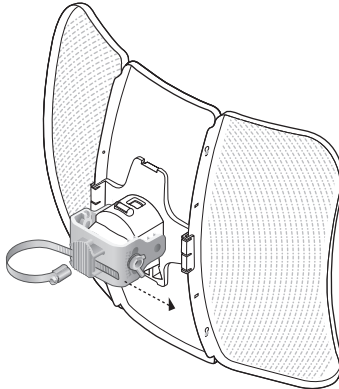
5. Attach the Mounting Bracket to the Rear Cover until the grooves on the Mounting Bracket are positioned over the pins on the Rear Cover.



6. Secure the Mounting Bracket to the Rear Cover using M6x79 Hexagon Bolts with Wing Nut and Lock Washer Assemblies.

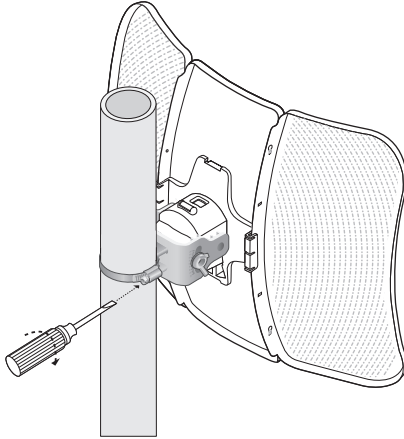


7. Attach the CPE assembly to the pole using the metal Strap.  
a. Open the Metal Strap and feed it through the two slots of the Ball joint Mount.

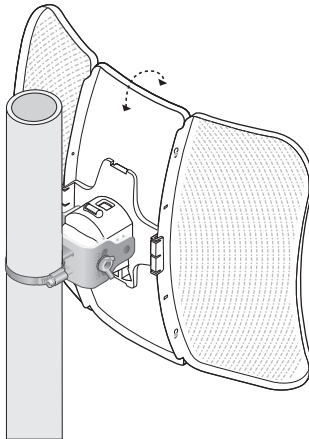


b. Wrap the metal strap around the pole. Use a socket wrench or screwdriver to turn the screw clockwise and securely fasten the strap to the pole.

**Note:** Suitable pole diameters range from 15mm to 70mm.



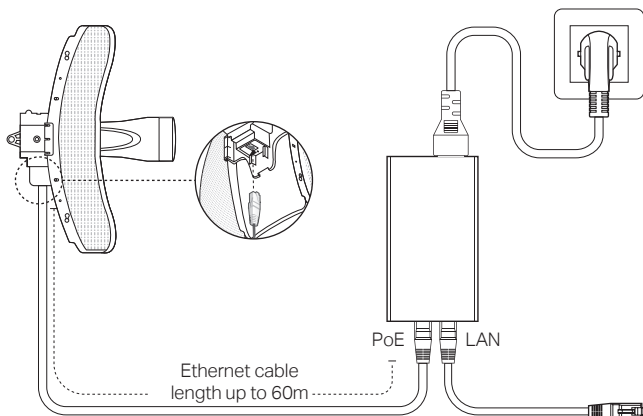
8. Adjust the azimuth and elevation angle of the CPE device to achieve maximum signal strength.



# Power Supply

## • Connecting the PoE Adapter

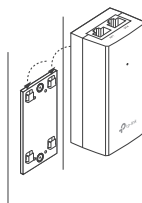
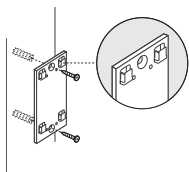
Connect the devices as shown in the figure below.



## • Mounting the PoE Adapter (Optional)

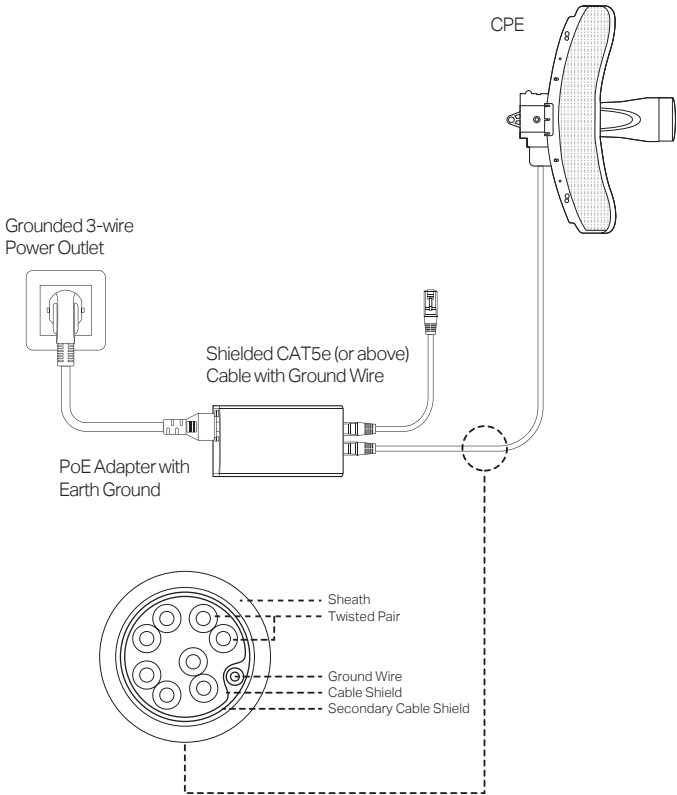
**Note:** To ensure the passive PoE adapter is attached most securely, it is recommended to install the adapter with the Ethernet port facing upward.

1. Drill two holes on the wall and insert the plastic wall anchors into the the holes. Secure the mounting bracket to the wall.
2. Attach the passive PoE adapter to the mounting bracket by sliding the adapter in the direction of the arrows until it locks into place.



# Lightning & ESD Protection

Proper grounding is extremely important for outdoor devices. By using shielded CAT5e (or above) cable with ground wire and the provided PoE adapter, you can effectively eliminate ESD attacks.



# Installer Compliance Responsibility

Devices must be professionally installed and it is the professional installer's responsibility to make sure the device is operated within local rules and regulations.

Since TP-Link's Pharos outdoor CPE can be paired with a variety of antennas, the **Antenna** and **Transmit Power** fields are provided to the professional installer to assist in meeting regulatory requirements.

Basic Wireless Settings

Region: Germany

Mode: 802.11a/n

Channel Width: 20/40MHz

Max TX Rate: MCS15 - 270/300 Mbps

Channel/Frequency: Auto

Antenna: Feed Only - 7dBi

EIRP Limit:  Enable

Transmit Power:  dBm

MAXstream:  Enable

Spectrum Analysis

Refer to **Antenna** and **Transmit Power** fields to make sure the devices are operated within local rules and regulations.

# Software Configuration

This chapter introduces the login to the PharOS Web Interface and the software configurations.

## Logging in to the PharOS

1. Before accessing the PharOS Web Interface, you need to assign a static IP address 192.168.0.X (X ranges between 2 and 253, e.g. 192.168.0.10) to your computer.

General

You can get IP settings assigned automatically if your network supports this capability. Otherwise, you need to ask your network administrator for the appropriate IP settings.

Obtain an IP address automatically

Use the following IP address:

IP address: 192 . 168 . 0 . 10

Subnet mask: 255 . 255 . 255 . 0

Default gateway: . . . .

Obtain DNS server address automatically

Use the following DNS server addresses:

Preferred DNS server: . . . .

Alternate DNS server: . . . .

Validate settings upon exit

Advanced...

OK Cancel

2. Open a web browser, type `http://192.168.0.254` into the address field and press Enter (Windows) or return (Mac). It is recommended to use the latest version of Google Chrome, Firefox or Safari.



3. Enter **admin** for both **User Name** and **Password**, then select the **Language** from the drop-down list. Read and agree to the terms of use, then click **Login**.

4. Change the default User Name and Password for security purposes. You can then start to configure your CPE.

**Note:** For subsequent logins, use the new username and password.

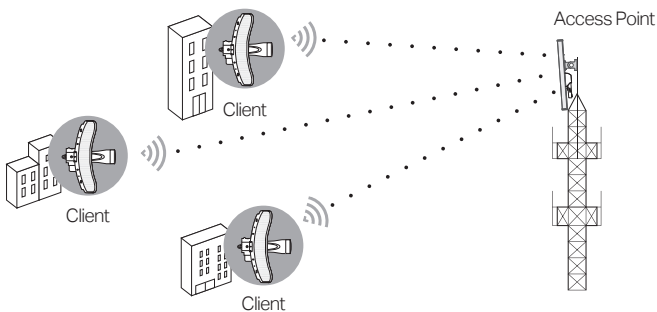
For more configurations, please visit

<https://www.tp-link.com/support> to download the User Guide of Pharos products in the download center.

## Configuration for a Typical Application

The typical topology is as follows: Multiple wireless bridges are built among the access point and the clients. Follow the instructions below to configure the Access Point and the Clients.

For simplicity, we will take one wireless bridge as an example.



### • Configure the Access Point (AP)

1. Log in to PharOS and go to the Quick Setup page.
2. Operation Mode: Select **Access Point** and click **Next**.
3. LAN Settings: Click **Next**.
4. Wireless AP Settings:
  - a. Create a new SSID (Network name) for your wireless network.
  - b. Select **WPA-PSK/WPA2-PSK** for the Security method and create a PSK Password to protect your AP.
  - c. Enter the distance between the Access Point and the Client into the **Distance Setting** field.

d. Select the **MAXtream** checkbox (Refer to Q3 in FAQ for details about MAXtream), and click **Next**.

5. Finish: Verify your settings and click **Finish** to complete the configuration.

## • Configure the Client

1. Log in to PharOS and go to the Quick Setup page.

2. Operation Mode: Select **Client** and click **Next**.

3. LAN Settings: Change the IP Address to 192.168.0.X (X ranges between 2 and 253), the same subnet as the access point, and click **Next**.

4. Wireless Client Settings:

a. Click **Survey** and select the SSID of the Access Point in the AP list, then click **Connect**.

b. Select **WPA-PSK/WPA2-PSK** from the Security option, enter the same PSK password and distance value of the Access Point, then click **Next**.

5. Finish: Verify your settings and click **Finish** to complete the configuration.

For more configurations, please visit

<https://www.tp-link.com/support> to download the User Guide of Pharos products in the download center.

# Antenna Alignment

In order to get the best performance, you can precisely align the direction of the CPE with the assistance of Wireless Signal Quality on the STATUS page of the PharOS Web Interface.

The screenshot shows the TP-Link PharOS web interface. The top navigation bar includes 'QUICK SETUP', 'STATUS', 'NETWORK', 'WIRELESS', 'MANAGEMENT', and 'SYSTEM'. The 'STATUS' tab is active. The page is divided into two columns: 'Device Information' and 'Wireless Settings'.  
**Device Information:**  
Device Name: CPE605  
Device Model: CPE605 v1.0  
Firmware Version: 2.1.15 Build 20190131 Rel. 64402 (0000)  
System Time: 2019-02-20 10:17:19  
Uptime: 0 days 00:02:07  
CPU: 2% (with progress bar)  
Memory: 58% (with progress bar)  
**Wireless Settings:**  
MAStream: OFF  
Region: Test\_Mode  
Channel/Frequency: 200 / 5000MHz  
Channel Width: 20/40MHz  
IEEE802.11 Mode: AN Mixed  
Max TX Rate: 150.0Mbps  
Antenna: Feed Only - 6dBi  
Transmit Power: 23dBm  
Distance: 0.376km

## Wireless Signal Quality

Signal Strength: N/A  
Noise Strength: N/A  
SNR: N/A  
Transmit CQI: 100 (with progress bar)

## Radio Status

AP: Enable  
MAC Address: 00-00-FF-FF-0D-52  
SSID: TP-Link\_Outdoor\_FF0D52  
Security Mode: None  
Connected Stations: 0

Adjust the direction of the CPE until the SNR reaches a maximum.



# Specifications

---

## HARDWARE FEATURES

---

Interface	10/100 Mbps Ethernet port (for CPE605) 10/100/1000 Mbps Ethernet port (for CPE710)
Button	RESET: Restore the device to its factory defaults
Power Supply	24 V passive PoE adapter included
ESD Protection	*15 KV
Lightning Protection	Up to *6 KV
Operating Temperature	-40°C to 70°C (-40°F to 158°F)
Operating Humidity	10% to 90%
Certification	CE, FCC, RoHS, IP65

---

## WIRELESS FEATURES

---

Antenna Gain	23 dBi
Antenna Beamwidth	Azimuth: 7° Elevation: 9° (for CPE710), 10° (for CPE605)
802.11 Standards	11a/n (for CPE605) 11a/n/ac (for CPE710)

---

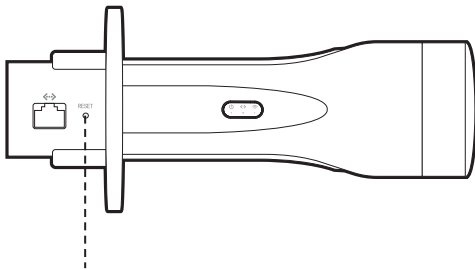
**Note:** \*Estimation is based on shielded CAT5e(or above) cable with an integrated grounding wire.

# FAQ

## Q1. How to restore the CPE to its factory default settings?

### Method 1:

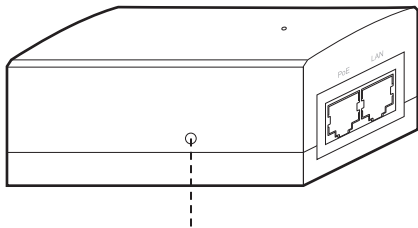
With the CPE powered on, press and hold the RESET button on the CPE for about 5 seconds.



**RESET Button:**  
Press & hold for about 5 seconds

### Method 2:

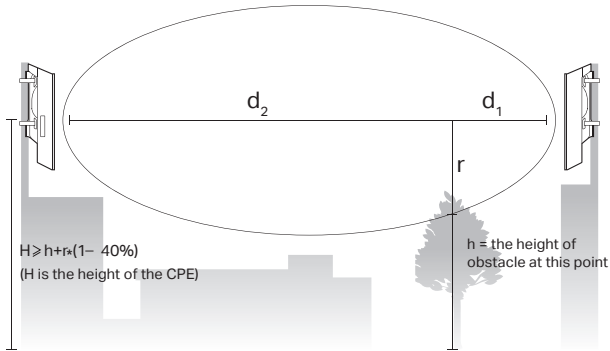
With the CPE powered on, press and hold the **Remote Reset** button on the passive PoE adapter for about 5 seconds.



**Remote Reset Button:**  
Press & hold for about 5 seconds

## Q2. How to calculate the minimum mounting height of the devices?

In order to maximize the received signal strength of the devices, installers need to minimize the effect of the out-of-phase signals, which is caused by obstacles in the path between the transmitter and the receiver. Fresnel Zone is a usual method to calculate this path, as shown in the formula and the figure below.



$$r = \sqrt{\frac{d_1 \times d_2}{d_1 + d_2} \cdot \frac{c}{f}}$$

where,

$r$  = Fresnel zone radius in meters

$c = 3 \times 10^8$  m/s, speed of light

$f$  = operating frequency of the devices in Hz

$d_1$  &  $d_2$  = the distances between the point and the devices in meters

For example, assume  $d_1$  is 2 km,  $d_2$  is 8 km, and  $f$  is 2.4 GHz, then  $r$  would be 14.142 m. Considering a toleration of 40%, allowable radius would be 8.485 m. Assume  $h$  is 10 m, then the result of the minimum mounting height based on this point would be 18.485 m. Similarly, calculate the results based on all the points where there are obstacles, and the maximum value would be the final result.

For more information, please refer to:

[https://en.wikipedia.org/wiki/Fresnel\\_zone](https://en.wikipedia.org/wiki/Fresnel_zone)

### Q3. What is Pharos MAXstream?

Pharos MAXstream is a proprietary protocol developed on the basis of Time Division Multiple Access (TDMA) by TP-Link.

The MAXstream technology has the following advantages:

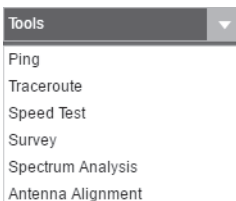
- Eliminates hidden node collisions and improves channel efficiency.
- Lower latency, higher throughput, larger network capacity and more stability.
- Improves the QoS for video, voice and sound data stream.

By dividing the timing of transmission into different time slots, MAXstream allows the Pharos devices to transmit in rapid succession, one after another, each using its own time slot to transmit and receive their own frames, which greatly reduces the chance of collision.

Pharos MAXstream is a non-standard Wi-Fi protocol that is only compatible with TP-Link's Pharos series products. Please notice that you will not be able to connect other Wi-Fi devices to an AP with MAXstream enabled.

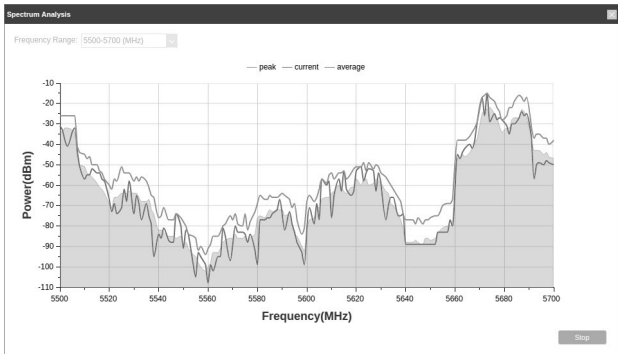
### Q4. How can I use Spectrum Analysis to find the appropriate channel for the devices?

1. Log in to PharOS, click **Spectrum Analysis** in the tools drop-down list, a window will pop up to remind you that all wireless connections will be lost during spectrum analysis. Click **Yes** to continue to the Spectrum Analysis page.



2. Click **Start**, the Pharos will begin to analyze the power of frequency. Observe the curves for a period of time, and then click **Stop**. Note that the relatively low and continuous part of the average curve

indicates less radio noise. Here, we use the figure below as an example.



3. When choosing channel/frequency, you should avoid the spectrum with large radio noise. In this example, the recommended channel/frequency is 112/5560 MHz.

# Safety Information

- Keep the device away from water, fire, humidity or hot environments.
- Do not attempt to disassemble, repair, or modify the device.
- Do not use damaged charger or USB cable to charge the device.
- Do not use any other chargers than those recommended.
- Do not use the device where wireless devices are not allowed.
- Adapter shall be installed near the equipment and shall be easily accessible.



To ask questions, find answers, and communicate with TP-Link users or engineers, please visit <https://community.tp-link.com> to join TP-Link Community.



For technical support, the user guide and other information, please visit <https://www.tp-link.com/support>, or simply scan the QR code.



If you have any suggestions or needs on the product guides, welcome to email [techwriter@tp-link.com.cn](mailto:techwriter@tp-link.com.cn).



The products of TP-Link partly contain software code developed by third parties, including software code subject to the GNU General Public License ("GPL"). As applicable, the terms of the GPL and any information on obtaining access to the respective GPL Code used in TP-Link products are available to you in GPL-Code-Centre under (<https://www.tp-link.com/en/support/gpl/>). The respective programs are distributed WITHOUT ANY WARRANTY and are subject to the copyrights of one or more authors. For details, see the GPL Code and other terms of the GPL.