



Questo manuale d'istruzione è fornito da trovaprezzi.it. Scopri tutte le offerte per [Zebra ZD421 TT](#) o cerca il tuo prodotto tra le [migliori offerte di Macchine per Ufficio](#)



Questo manuale d'istruzione è fornito da trovaprezzi.it. Scopri tutte le offerte per [Zebra ZD421 TT](#) o cerca il tuo prodotto tra le [migliori offerte di Macchine per Ufficio](#)

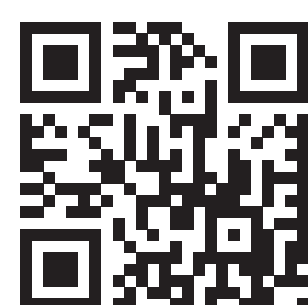
ZD421T Desktop Printer



Quick Start Guide



1 Setup



zebra.com/setup

Scan the code to download and install Zebra Setup Utilities.

2 Remove Packing

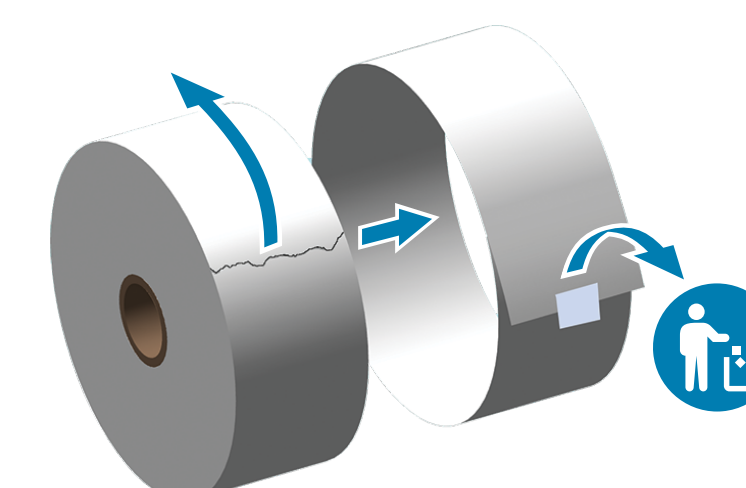


Slide the release latches to the front to unlock the cover.



Open the printer and remove the packing.

3 Load Media



Unroll and discard the outer layer of the media roll.

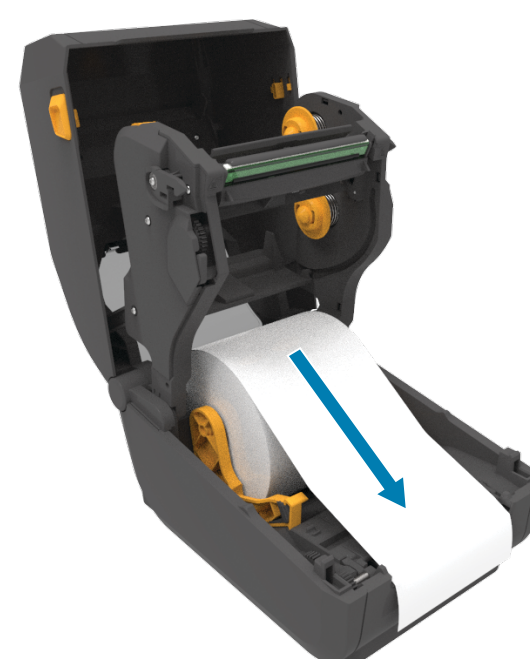
3 Load Media (continued)



Spread the roll holders open and place the roll into the printer.



Verify the roll spins easily on the holder.



Pull the end of the roll past the front edge of the printer.



Press the media under the guides.

4 Adjust Sensor



Align the sensor to the center of the roll for regular labels.

4 Adjust Sensor (continued)

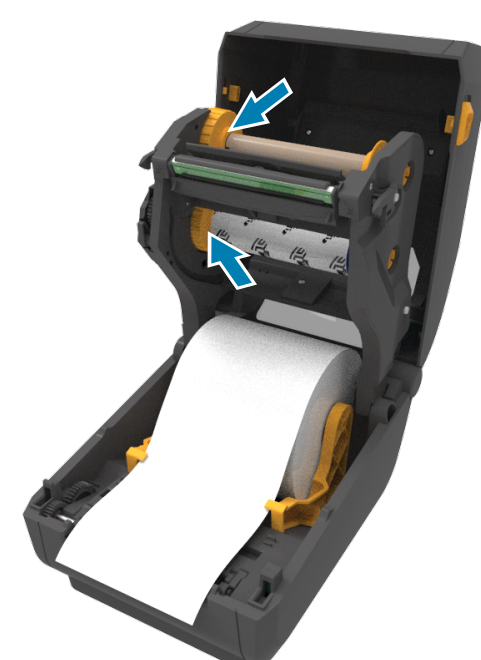


Align the sensor to the edge of the roll for marked labels.

5 Load Ribbon



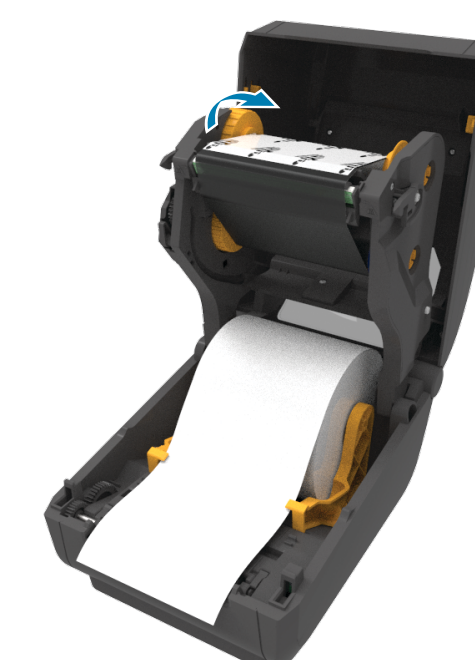
Push the right side of the spool onto the spring-loaded spindle.



Place the left side of the spool onto the spindle aligning it with the notches.



Pull the supply ribbon leader up and over the printhead and attach it to the take-up spool.



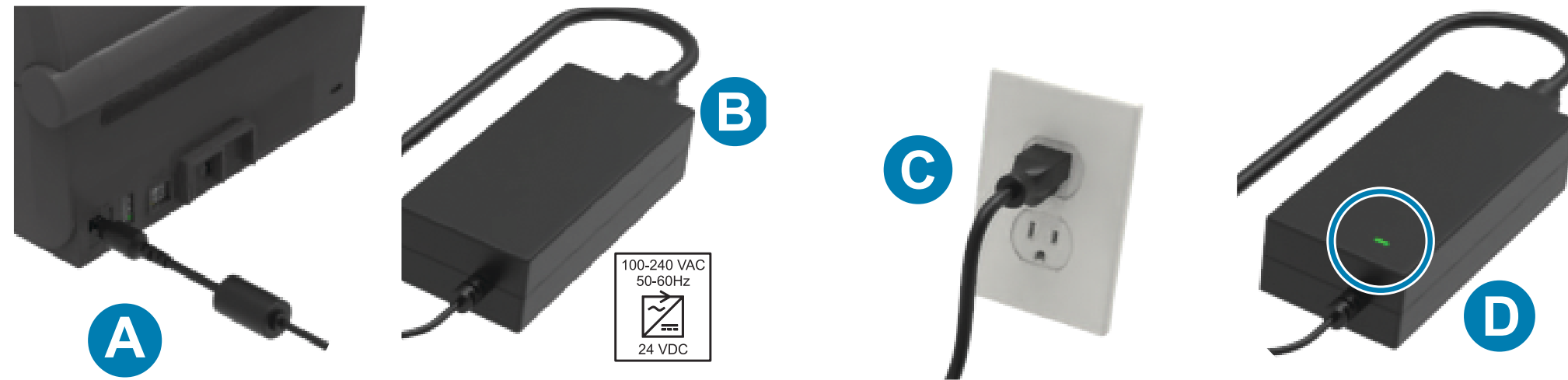
Turn the ribbon take-up wheel to remove the slack and advance the ribbon.

6 Close Printer



Push down on the front edge of the printer until it locks.

7 Connect Power



A. Plug the power supply into the printer.
B. Plug the power cable into the power supply.

C. Plug the power cord into an appropriate receptacle.
D. The power supply lights green.

8 Connect USB



Connect a USB cable to the printer, connect the other end to your computer.

9 Power On



Press the power button.

9 Power On (continued)



When the printer is ready, the printer status light will turn green.

10 Smart Calibration



Press and hold the Pause and Cancel buttons for two seconds to line up the labels.

11 Print Configuration Report



Press and hold the Feed and Cancel buttons for two seconds to print a configuration report.

Media Out



When the media runs out, the printer status and media status lights will turn red.



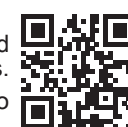
Open the printer and discard the empty roll.

Support and Information



Need to design a label?
zebra.com/zebradesigner

View user documentation and how-to videos.
zebra.com/zd421t-info



Need to manage your printer?
zebra.com/ppme

Contact Zebra about your printer.
zebra.com/contact

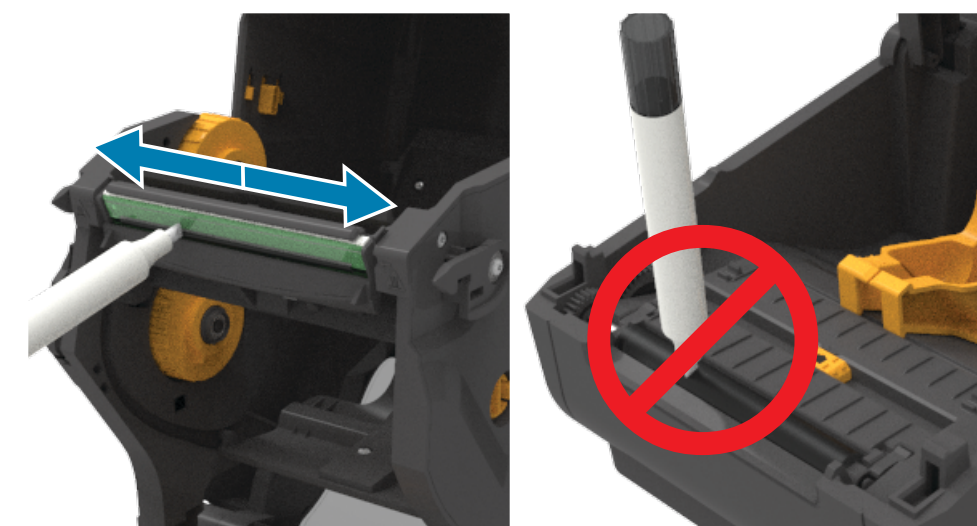


Need to secure your printer?
zebra.com/printsecure

Learn about genuine Zebra supplies.
zebra.com/supplies



Cleaning

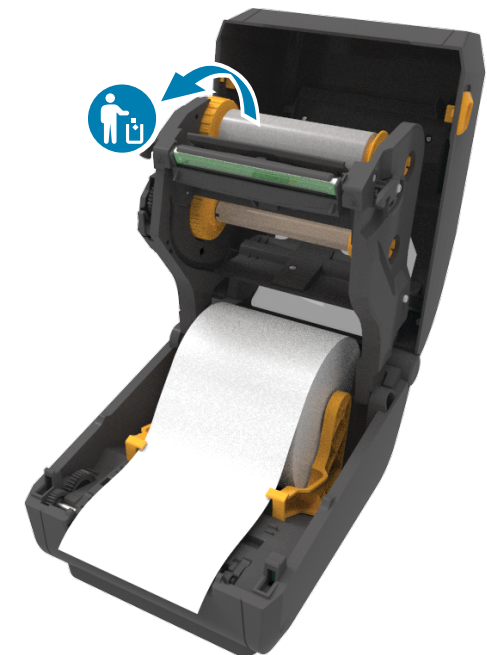


Clean printhead with cleaning pen starting from the middle to sliding to the outside. Do not use a cleaning pen on the platen.

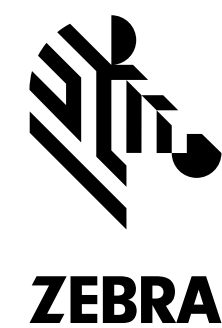
Ribbon Out



When the ribbon runs out, the printer status and ribbon status lights will turn red.



Open the printer and discard the empty spools.



212696-002

