

Haier

HWS33GG

HWS31GGE

HWS33GGFR



Wine Cellar
User Guide

Weinkühler
Bedienungsanleitung

Cave à vin
Manuel d'Utilisation

Cantinetta per vini
Manuale utente

Bodega de vinos
Manual del Usuario

Chłodziarka do winnika
Podręcznik użytkownika

Cave de Vinho
Manual do Utilizador

Wijnkelder
Handleiding

Винарска изба
Ръководство на потребителя

Винный шкаф
Руководство пользователя

Vinný sklípek
Uživatelská příručka

Vinotéka
Návod na použitie

EN

DE

FR

IT

ES

PL

PT

NL

BG

RU

CS

SK

Safety information



EN WARNING: Risk of fire/flammable material.

The symbol indicates there is a risk of fire since flammable materials are used. Take care to avoid causing a fire by igniting flammable material.

DE WARNUNG: Brandgefahr/ brennbares Material.

Das Symbol weist auf Brandgefahr hin, da brennbare Materialien verwendet werden. Verhindern Sie die Entstehung von Bränden, die durch entflammbare Materialien verursacht werden.

FR ATTENTION: Risque d'incendie ou de matières inflammables.

Le symbole montre qu'il y'a le risque de matériaux inflammables sont utilisés. Prendre soin d'éviter de provoquer un incendie en ingérant des matières inflammables.

IT ATTENZIONE: Rischio di incendio/materiale infiammabile. Il simbolo indica il rischio di incendio nel caso di utilizzo di materiali infiammabili. Fare attenzione ed evitare l'insorgere di incendi a causa della combustione di materiali infiammabili.

ES ADVERTENCIA: Riesgo de incendio o material inflamable. El símbolo indica que existe riesgo de incendio, dado que se utilizan materiales inflamables. Se debe procurar evitar incendios mediante la combustión de materiales inflamables.

PL OSTRZEŻENIE: Ryzyko pożaru/materiał łatwopalny. Symbol wskazuje, że istnieje ryzyko pożaru, ponieważ używane są materiały łatwopalne. Dbaj o to, aby uniknąć pożaru poprzez zapalenie łatwopalnego materiału.

PT ADVERTÊNCIA: Risco de incêndio/material inflamável. O símbolo indica que existe um risco de incêndio uma vez que são usados materiais inflamáveis. Ter cuidado para evitar provocar um incêndio por acender material inflamável.

NL WAARSCHUWING: Brandrisico / brandbaar materiaal. Het systeem geeft aan dat er een brandrisico bestaat aangezien brandbaar materiaal wordt gebruikt. Zorg ervoor dat er geen brand wordt veroorzaakt door brandbaar materiaal te ontsteken.

BG ВНИМАНИЕ: Опасност от пожар / запалим материал.

Символът показва, че има риск от пожар, тъй като се използват запалими материали. Внимавайте да не се предизвика пожар чрез попадане на запалим материал.

RU ПРЕДУПРЕЖДЕНИЕ. Опасность пожара/воспламеняющиеся материалы. Символ указывает на риск возгорания, поскольку используются легковоспламеняющиеся материалы.

Соблюдайте осторожность, чтобы не вызвать пожар из-за легковоспламеняющихся материалов.

CS VAROVÁNÍ: Nebezpečí požáru/hořlavý materiál. Tento symbol signalizuje, že hrozí nebezpečí požáru kvůli použití hořlavých materiálů. Dejte pozor, abyste zamezili způsobení požáru zapálením hořlavého materiálu.

SK VAROVANIE: Nebezpečenstvo požiaru/horľavý materiál. Symbol označuje nebezpečenstvo požiaru, pretože sa používajú horľavé materiály. Dávajte pozor, aby ste zabránili vzniku požiaru vznietením horľavého materiálu.



User Manual

Wine Cellar

HWS33GG
HWS31GGE
HWS33GGFR

EN

Haier

Thank you for purchasing a Haier Product.

Please read these instructions carefully before using this appliance. The instructions contain important information which will help you get the best out of the appliance and ensure safe and proper installation, use and maintenance.

Keep this manual in a convenient place so you can always refer to it for the safe and proper use of the appliance.

If you sell the appliance, give it away, or leave it behind when you move house, make sure you also pass this manual so that the new owner can become familiar with the appliance and safety warnings.



Legend

Warning – Important Safety information



General information and tips



Environmental information



Disposal

Help protect the environment and human health. Put the packaging in applicable containers to recycle it. Help to recycle waste of electrical and electronic appliances. Do not dispose appliances marked with this symbol with the household waste. Return the product to your local recycling facility or contact your municipal office.



WARNING!

Risk of injury or suffocation!

Refrigerants and gases must be disposed of professionally. Ensure that the tubing of the refrigerant circuit is not damaged before being properly disposed of. Disconnect the appliance from the mains supply. Cut off the mains cable and dispose of it. Remove the trays and drawers as well as the door catch and seals, to prevent children and pets to get closed in the appliance.

Old appliances still have some residual value. An environmentally friendly method of disposal will ensure that valuable raw materials can be recovered and used again.

Cyclopentane, a flammable substance not harmful to ozone, is used as an expander for the insulating foam.

By ensuring this product is disposed of correctly, you will help prevent potential negative consequences for the environment and human health, which could otherwise be caused.

For more detailed information about recycling of this product, please contact your local council, your household waste disposal service or the shop where you purchased the product, handled by the professionals.

1- Safety information.....	4
2- Safety tips.....	7
3- Maintenance	11
4-Accessories.....	13
5- Product description	14
6- Installation	15
7- Use.....	17
8- Energy saving tips	18
9 - Equipment	19
10- Care and cleaning.....	20
11- Troubleshooting	21
12- Technical data	25
13- Customer service	26
14- Wine bottle stacking.....	27

This appliance is intended to be used exclusively for the storage of wine. Before switching on the appliance for the first time read the following safety hints:



WARNING!

Before first use

- ▶ Make sure there is no transport damage.
- ▶ Remove all packaging and keep out of children's reach and dispose them in an environmentally friendly manner.
- ▶ Wait at least two hours before installing the appliance in order to ensure the refrigerant circuit is fully efficient.
- ▶ Handle the appliance always with at least two persons because it is heavy.

Installation

- ▶ The appliance should be placed in a well-ventilated place. Ensure a space of at least 10 cm above and around the appliance.
- ▶ **WARNING:** Keep ventilation openings, in the appliance enclosure or in the built-in structure, clear of obstruction.
- ▶ Never place the appliance in a damp area or location where it might be splashed with water. Clean and dry water splashes and stains with a soft clean cloth.
- ▶ Do not install your wine cellar in any location not properly insulated or heated (e.g. garage etc). Your wine cellar was not designed to operate in ambient temperature below 16 °C.
- ▶ Do not install the appliance in direct sunlight or in the near of heat sources (e.g. stoves, heaters).
- ▶ Install and level the appliance in an area suitable for its size and use.
- ▶ Make sure that the electrical information on the rating plate agrees with the power supply. If it does not, contact an electrician.
- ▶ The appliance is operated by a 220-240 V/50 Hz power supply. Abnormal voltage fluctuation may cause the appliance to fail to start, or damage to the temperature control or compressor, or there may be an abnormal noise when operating. In such case, an automatic regulator shall be mounted.
- ▶ Do not use multi-plug adapters and extension cables.

**WARNING!**

- ▶ **WARNING:** Do not locate multiple portable socket outlets or portable power supplies at the rear of the appliance.
- ▶ **WARNING:** When positioning the appliance, ensure the supply cord is not trapped or damaged.
- ▶ Do not step on the power cable.
- ▶ Use a separate earthed socket for the power supply which is easy accessible. The appliance must be earthed.
- ▶ Only for UK: The appliance's power cable is fitted with 3-cord (grounding) plug that fits a standard 3-cord (grounded) socket. Never cut off or dismount the third pin (grounding). After the appliance is installed, the plug should be accessible.
- ▶ **WARNING:** Do not damage the refrigerant circuit.

Daily use

- ▶ This appliance can be used by children aged from 8 years and above and persons with reduced physical, sensory or mental capabilities or lack of experience and knowledge if they have been given supervision or instruction concerning use of the appliance in a safe way and understand the hazards involved.
- ▶ Children shall not play with the appliance.
- ▶ Children aged from 3 to 8 years are allowed to load and unload refrigerating appliances, but not allowed to clean and install the refrigerating appliances.
- ▶ Keep away children under 3 years of age from the appliance unless they are constantly supervised.
- ▶ Cleaning and user maintenance shall not be made by children without supervision.
- ▶ The appliance must be positioned so that the plug is accessible.
- ▶ If coal gas or other inflammable gas is leaking into vicinity of the appliance, turn off the valve of the leaking gas, open the doors and windows and do not unplug the power cable of the appliance.
- ▶ Wait at least 7 minutes to reconnect the power after the power has been disconnected.
- ▶ Do not lift the appliance by its door handles.



WARNING!

- ▶ Notice that the appliance is set for operation at the specific ambient range between 16 and 38°C. The appliance may not work properly if it is left for a long period at a temperature above or below the indicated range.
- ▶ Do not place unstable articles (heavy objects, containers filled with water) on top of the appliance, to avoid personal injury caused by falling or electric shock caused by contact with water.
- ▶ Open and close the door only with the handles. The gap between the door and the cabinet is very narrow. Do not put your hands in these areas to avoid pinching your fingers. Open or close the appliance doors only when there are no children standing within the range of door movement.
- ▶ Do not store or use inflammable, explosive or corrosive materials in the appliance or in the vicinity.
- ▶ Do not store explosive substances such as aerosol cans with a flammable propellant in this appliance.
- ▶ Do not store medicines, bacteria or chemical agents in the appliance. This appliance is a household appliance. It is not recommended to store materials that require strict temperatures.
- ▶ Do not set unnecessarily low temperature in the wine cabinet compartment. Minus temperatures may occur at high settings. Attention: Bottles can burst.
- ▶ Do not touch the inside surface of the appliance compartment when in operation, especially with wet hands, as your hands may freeze onto the surface.
- ▶ For proper wine cooling, do not overload the appliance.
- ▶ Unplug the appliance in the event of a power interruption or before cleaning. Allow at least 7 minutes before restarting the appliance, as frequent starting may damage the compressor.
- ▶ **WARNING:** Do not use electrical devices inside the appliance, unless they are of the type recommended by the manufacturer. To avoid risks a damaged power cord must be replaced by the customer service (see warranty card).
- ▶ To prolong the service life of the appliance, avoid turning it off.
- ▶ Never place the appliance horizontally on the ground. After tilting the appliance more than 45°, wait for 0.5 hours before plugging it in.

**WARNING!****Maintenance / cleaning**

- ▶ Make sure children are supervised if they carry out cleaning and maintenance.
- ▶ Disconnect the appliance from the electrical supply before undertaking any routine maintenance. Allow at least 7 minutes before restarting the appliance, as frequent starting may damage the compressor.
- ▶ Hold the plug, not the cable, when unplugging the appliance.
- ▶ Do not clean the appliance with hard brushes, wire brushes, detergent powder, petrol, amyl acetate, acetone and similar organic solutions, acid or alkaline solutions. Please clean with special refrigerator/freezer detergent to avoid damage. Eventually use warm water and baking soda solution - about a tablespoon of baking soda to a litre/quart of water. Rinse thoroughly with water and wipe dry. Do not use cleaning powders or other abrasive cleaners. Do not wash removable parts in a dishwasher.
- ▶ **WARNING:** Do not use mechanical devices or other means to accelerate the defrosting process, other than those recommended by the manufacturer.
- ▶ If the supply cord is damaged, it must be replaced by the manufacturer, its service agent or similarly qualified persons in order to avoid a hazard.
- ▶ Do not try to repair, disassemble or modify the appliance by yourself. In case of repair please contact our customer service.
- ▶ If the illuminating lamps are damaged, it must be replaced by the manufacturer, its service agent or similarly qualified persons in order to avoid a hazard.
- ▶ Eliminate the dust on the back of the unit at least once in the year to avoid hazard by fire, as well as increased energy consumption.

- ▶ Do not spray or flush the appliance during cleaning.
- ▶ Do not use water spray or steam to clean the appliance.
- ▶ Do not clean the cold glass door with hot water. Sudden temperature change may cause the glass to break.
- ▶ If you leave your appliance out of use for an extended period, leave it open to prevent odour and unpleasant smells building up inside.

Refrigerant gass information



WARNING!

The appliance contains the flammable refrigerant ISOBUTANE (R600a). Make sure the refrigerant circuit is not damaged during transportation or installation. Leaking refrigerant may cause eye injuries or ignite. If a damage has occurred, keep away open fire sources, thoroughly ventilate the room, do not plug or unplug the power cords of the appliance or any other appliance. Inform the customer service.

In case of eyes get into contact with the refrigerant, rinse it immediately under running water and call immediately the eye specialist.

WARNING: The refrigeration system is under high pressure. Do not tamper with it. Since the flammable refrigerants are used, please, install, handle and service the appliance strictly according to the instruction and contact the professional agent or our after-sales service to dispose of the appliance.

Intended use


This appliance is intended to be used in household and similar applications such as

- staff kitchen areas in shops, offices and other working environments;
 - farm houses and by clients in hotels, motels and other residential type environments;
 - bed and breakfast type environments;
 - catering and similar non-retail applications.
- ▶ To ensure the safe preservation of wine, please comply with this instruction for use.
- ▶ The details on the most appropriate part in the compartment of the appliance where specific types of food shall be stored, considering the distribution of temperature that can be present in the different compartments of the appliance are in the other part of the manual.

Changes or modifications to the device are not allowed. Unintended use may cause hazards and loss of warranty claims.

Disposal



The  symbol on the product or on its packaging indicates that this product may not be treated as household waste. Instead it shall be handed over to the applicable collection point for the recycling of electrical and electronic equipment. By ensuring this product is disposed of correctly, you will help prevent potential negative consequences for the environment and human health, which could otherwise be caused by inappropriate waste handling of this product. For more detailed information about recycling of this product, please contact your local city office, your household waste disposal service or the shop where you purchased the product.

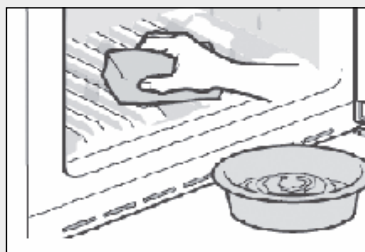
Since the flammable insulation blowing gases are used, please contact the professional agent or our after-sale service to dispose of the appliance.

WARNING!

Risk of injury of suffocation!

Refrigerants and gases must be disposed of professionally. Ensure that the tubing of the refrigerant circuit is not damaged before being properly disposed of. Disconnect the appliance from the mains supply. Cut off the mains cable and dispose of it. Remove the trays and drawers as well as the door catch and seals to prevent children and pets to get closed in the appliance.

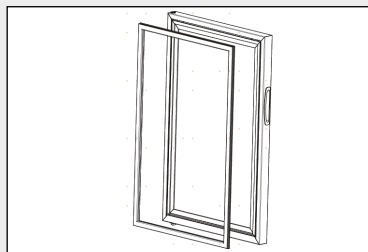
- ▶ **WARNING:** Disconnect the appliance from the power supply before cleaning.
- ▶ Do not clean the appliance with hard brushes, wire brushes, detergent powder, petrol, amyl acetate, acetone and similar organic solutions, acid or alkaline solutions. Please clean with special refrigerator detergent to avoid damage.
- ▶ Clean the appliance when only little or no wine is stored. It is only necessary to clean it when it is dirty.
- ▶ Clean the inside and housing of the appliance with a sponge damped in warm water and neutral detergent
- ▶ Rinse with clean warm water and dry with dry cloth.
- ▶ Do not clean any of the parts of the appliance in a dishwasher.
- ▶ Allow at least 7 minutes before re-starting the appliance as frequent starting may damage the compressor.



Clean the door gasket:

- ▶ The door gaskets should be cleaned to assure a proper seal. As below : Remove: Grasp the door gasket and pull it out according to the direction of arrow to remove the whole door gasket in order.

Dip the brush with water or food grade alcohol, clean up the door gasket groove firstly by pulling back and forth the brush. Then wipe door gasket surface with a towel dipped with water or food grade alcohol. Finally, wash the door gasket clean and wipe it dry with a clean towel.



Installation door gasket after cleaning:

Before installation, make sure that there is no water on the door gasket. Insert the door gasket into the groove, and press the door gasket tightly from the top to the bottom by hand until the whole door gasket is inserted into the groove.

Cleaning the shelves:

All shelves can be taken out for cleaning.

Take out all bottles.

Lift each shelf a little and take it out.

Clean the shelf with a soft towel.

Wait until the shelves are dry before putting them back in.

Check the accessories and literature in accordance with this list:
without isolation.

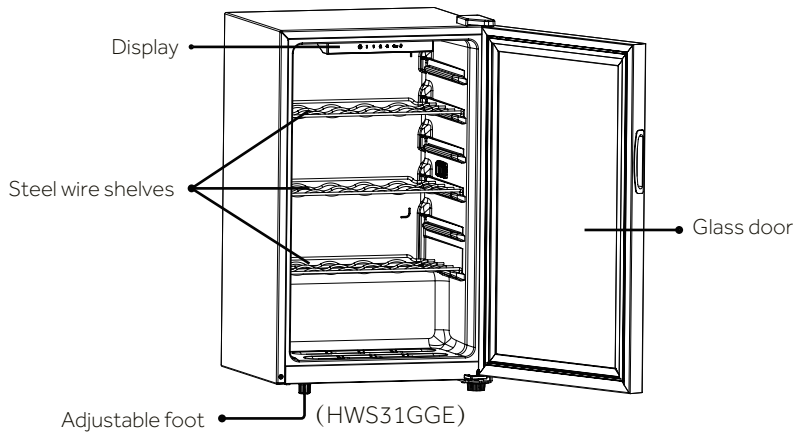
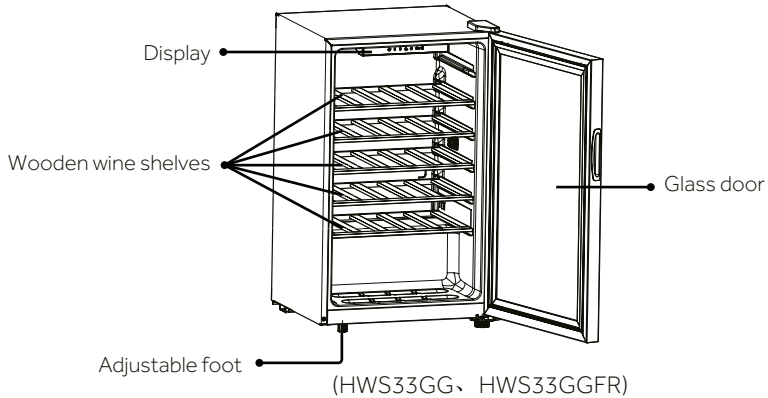
Quantity / Name / Product Model	UserGuide	Information Kit	Wooden wine Shelves	Steel wire shelves
HWS33GG	1	1	5	0
HWS31GGE	1	1	0	3
HWS33GGFR	1	1	5	0



Notice

Due to technical changes and different models, some of the illustrations in this manual may differ from your model.

Picture of appliance



This product contains a light source of energy efficiency class G.

1. Unpacking

- ▶ Take the appliance out of the packaging.
- ▶ Remove all packaging materials including the foam base and all adhesive tape holding the accessories.

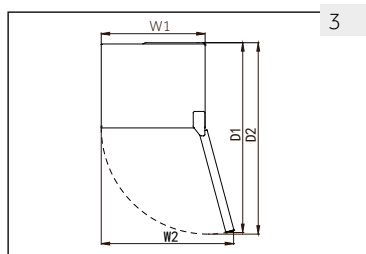
2. Environmental conditions

The room temperature should always be between 16 °C and 38 °C, since it can influence the temperature inside the appliance and its energy consumption. Do not install the appliance near other heat-emitting appliances (ovens, refrigerators) without isolation.

3. Space requirements

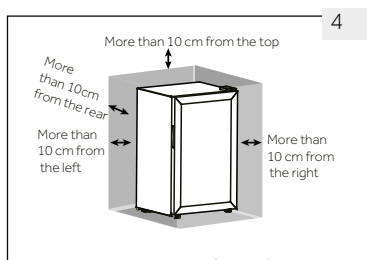
Required space to open the door (Fig. 3):

Width in mm		Depth in mm	
W1	W2	D1	D2
499	633	905	919



4. Ventilation space

For safety and energy reasons, the required ventilation distance of 10 cm in all directions must be observed (Fig. 4).



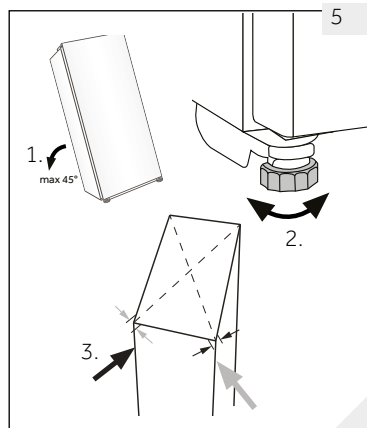
WARNING!

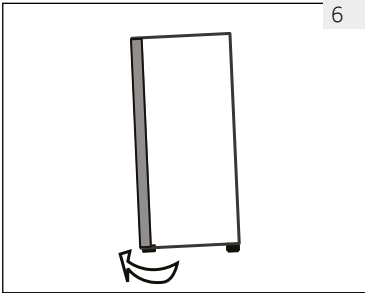
- ▶ Keep ventilation openings in the appliance or in the in-built structure clear of obstruction. This refrigerating appliance is not intended to be used as a built-in appliance.

5. Aligning the appliance

The appliance should be placed on a flat and solid surface.

1. Tilt the appliance slightly backwards (Fig. 5).
2. Set the adjustable front feet to the desired level by turning them.
3. The stability can be checked by alternately bumping on the diagonals. The slight swaying should be the same in both directions. Otherwise the frame can warp; possible leaking door seals are the result. A low tendency to the rear facilitates the closing of the door.





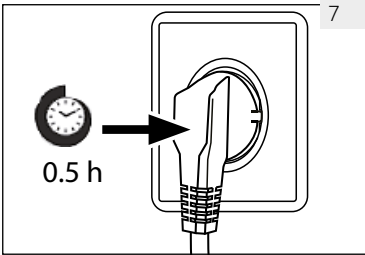
6

6. Fine tuning of the door

The appliance closes more easily if the levelling feet on the front are used:

Rotate the adjustable feet (Fig. 6) to turn them up or down:

- ▶ Turning the feet clockwise raises the appliance.
- ▶ Turning the feet counterclockwise lower the appliance.



7

7. Waiting time

The maintenance-free lubrication oil is located in the capsule of the compressor. This oil can get through the closed pipe system during transport if the appliance is tilted. Before connecting the appliance to the power supply, wait 0.5 hours (Fig. 7) so that the oil runs back into the capsule.

8. Electrical connection

Before each connection check if:

- ▶ power supply, socket and fusing are appropriate to the rating plate.
- ▶ the power socket is earthed and no multi-plug or extension.
- ▶ the power plug and socket are fit properly.

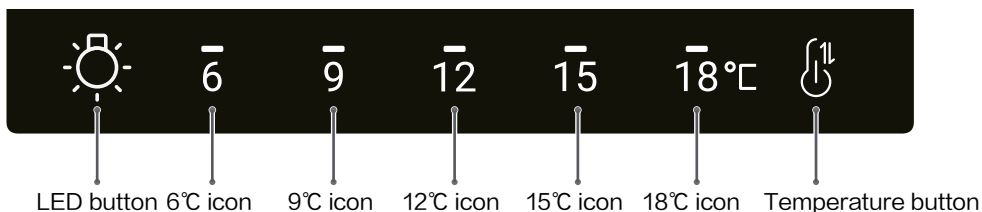
Connect the plug to a properly installed household socket.



WARNING!

To avoid risks a damaged power cord must be replaced by the customer service (see warranty card).

Control Panel



The temperature range of display panel is 6~18°C

The default setting temperature is 12°C

You can set the temperature according to your wine storage requirements.

1. Temperature Adjustments

Press the "Temperature button" to light up the top icon of the current setting temperature level; Press the "Temperature button" again and set the temperature up by one step for a total of 5 steps. When the temperature reaches 18 °C, if you continue to adjust, it will be 6 °C, cycle in turn. When the desired gear is selected and the operation is stopped for 5 seconds, the system automatically defaults to the current setting parameters.

2. Interior Light

Press the "Lighting button" once, the light in the cabinet will be on; Press the "Lighting button" again and the lights in the cabinet go out and cycle in turn.

3. Power-off memory function

Cabinet temperature setting will be remembered. After re-plugging, it will return to the pre-power setting.



Energy saving tips

- ▶ Make sure the appliance is properly ventilated (see INSTALLATION).
- ▶ Do not install the appliance in direct sunlight or in the near of heat sources (e.g. stoves, heaters).
- ▶ Avoid unnecessarily low temperature in the appliance. The energy consumption increases the lower the temperature in the appliance is set.
- ▶ Open the appliance door as little and as briefly as possible.
- ▶ Do not exceed the designed amount of bottles to avoid obstructing the air flow.
- ▶ Keep door seals clean so that the door always closes correctly.
- ▶ The most energy-saving configuration requires shelves to be positioned in the appliance on factory-fresh condition, and wine to be placed without blocking the air outlet of the duct.

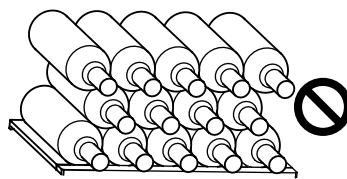
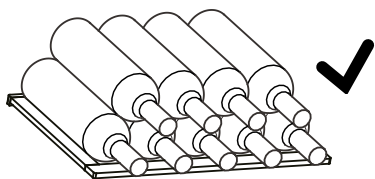
1. Shelf

1. The shelves are designed for easy storage and easy removal of the wine. They can be cleaned with a soft towel.
2. Regular bottles with diameter of 76mm can be stacked.
3. Magnum bottles can be stacked on the bottom.
4. The quantity can vary from the depicted number or bottles if they are stacked in a different way.



Precautions for Use of Wine Cellar

Do not place too much wine in the cellar so as not to exceed the bearing capacity of the wine shelves. Do not place more than three layers of wine on each shelf. The number of wine bottles should not exceed three layers on each shelf, or the bearing capacity of the wine shelves should not exceed 15kg.

Before placing the bottles inside the wine cellar, confirm whether or not the wine shelves are completely stable. In addition, confirm whether or not any bottle protrudes from the shelves in order to prevent bottles hitting the glass door upon closing.



2. The light

While the door is open, press  the light button, turn on the light; press  the light button again, turn off the light.

3. Automatic Defrosting

This appliance has an automatic defrosting function. During use, ensure that the drainage hole is unblocked so as to force defrosting water to flow smoothly through the drainage hole into the water receiver inside the cellar cabin.

Regularly clean water receivers at the bottom of the compartments; use a dry cloth to absorb water inside the water receivers and wipe down them (clean them every three months as suggested).

1. Defrosting

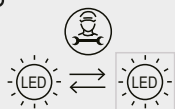
The defrosting of the wine cellar is done automatically; no manual operation is needed.

2. Replacing the LED lamp

The lamp uses LED as its light source, featuring low energy consumption and long service life. If there is any abnormality, please contact the customer service. See CUSTOMER SERVICE.



WARNING!



Do not replace the LED lamp yourself. It must only be replaced by either the manufacturer or the authorised service agent.

Parameters of LED lamp:

Voltage: 12V; Max power: 2W

3. Non-use for a longer period

Unplug the power cord.

Clean the appliance and door gaskets as described above.

Keep the door open to prevent the creation of bad odours inside.

4. Moving the appliance

1. Remove all bottles and unplug the appliance.
2. Secure shelves and other moveable parts in the wine cellar with adhesive tape.
3. Do not tilt the wine cellar more than 45° to avoid damaging the refrigerating system.

Many occurring problems could be solved by yourself without specific expertise. In case of a problem please check all shown possibilities and follow below instructions before you contact an after sales service. See CUSTOMER SERVICE.



WARNING!

- ▶ Before maintenance, deactivate the appliance and disconnect the mains plug from the mains socket.
- ▶ Electrical equipment should be serviced only by qualified electrical experts, because improper repairs can cause considerable consequential damages.
- ▶ A damaged supply should only be replaced by the manufacturer, its service agent or similarly qualified persons in order to avoid a hazard.

Error Code	Cause	Solution
"9"icon blinks	Refrigeration sensor failure.	Call after-sales service phone.
"12"icon blinks	Refrigeration sensor cryogenic alarm.	Call after-sales service phone.

Problem	Possible Cause	Possible Solution
Frost on back of inner gallbladder?	<ul style="list-style-type: none"> Refrigeration pipes are designed on the back of the inner liner of a wine cabinet. 	<ul style="list-style-type: none"> This is a normal phenomenon. The cabinet will automatically frost without affecting normal use.
Too much noise?	<ul style="list-style-type: none"> Unstable Placement. 	<ul style="list-style-type: none"> Adjust the adjustable bottom foot to keep the cabinet stable. Make sure the cabinet does not touch other objects or walls.
Sound of liquid flowing in the cabinet?	<ul style="list-style-type: none"> Sound of refrigerant flow in circulating pipeline of refrigeration system. 	<ul style="list-style-type: none"> This is a normal phenomenon.
The wine cabinet is not working?	<ul style="list-style-type: none"> Connection between wine cabinet plug and power outlet. Protective mode of compressor. 	<ul style="list-style-type: none"> Make sure that the wine cabinet plug is properly connected to the power outlet;The power socket is live;Good fuse at home. The compressor has a protective mode with an interval of 7 minutes.
Why are there slight ridges on both sides of the case?	<ul style="list-style-type: none"> The phenomenon of expansion and contraction caused by heat. 	<ul style="list-style-type: none"> This is a normal phenomenon.The purpose is to ensure good heat dissipation and high working efficiency of the wine cabinet.
Door body not closed tightly, air leakage?	<ul style="list-style-type: none"> After using the product for a period of time, it is easy to make the door seal hard and distorted because of the lower temperature in the cabinet. 	<ul style="list-style-type: none"> Bake the deformed area with hot air from a hairdryer or cover the deformed area with a hot towel. Close the door tightly when the door seal is soft.
Compressor keeps running for a long time?	<ul style="list-style-type: none"> Whether the door of the cabinet is not closed or opened too many times? Put too many drinks one time. Whether the cabinet is setting too low? 	<ul style="list-style-type: none"> Close the door tightly or reduce the number of times you open it. Do not put too many drinks one time, and leave a gap between drinks. The cabinet setting can be adjusted appropriately.

Problem	Possible Cause	Possible Solution
When the wine cabinet is running, does it make a "click" sound?	<ul style="list-style-type: none"> • Due to temperature changes, various materials due to thermal expansion and contraction. During use, the action of relay and other electrical components causes. 	<ul style="list-style-type: none"> • This is a normal phenomenon.
Can't the wine cabinet cool well?	<ul style="list-style-type: none"> • Whether the temperature setting is too high. • Exposed to direct sunlight or heat sources nearby. • There are hot drinks in the wine cabinet. • The drinks in the wine cabinet are too crowded. • Whether the wine cabinet door is frequently opened or closed. 	<ul style="list-style-type: none"> • Lower temperature setting. • Avoid direct sunlight and keep away from heat sources. • Drinks should not be overheated. • Drinks should not be too much one time. • Please close the door tightly or reduce the number of times you open the door.
Is there a peculiar smell in the wine cabinet?	<ul style="list-style-type: none"> • The newly bought wine cabinet smells of foaming agent or plastic. 	<ul style="list-style-type: none"> • This is a normal phenomenon and will volatilize slowly in the follow-up. • Please check the cabinet for deteriorated drinks in time. • Odorous drinks shall be tightly wrapped in plastic bags. • The wine cabinet should be cleaned regularly.
Is there condensation on the wine cabinet door?	<ul style="list-style-type: none"> • Whether the door is opened too frequently or for a long time. • Whether the temperature setting in the cabinet is too low. • High ambient temperature and humidity. 	<ul style="list-style-type: none"> • Please close the door tightly or reduce the number of times you open the door. • The temperature in the cabinet should not be set too low. • Please dry it with a dry cloth.
The light is not bright?	<ul style="list-style-type: none"> • Whether the power is connected? • Whether the lamp is damaged? 	<ul style="list-style-type: none"> • Check the power supply. • Inspection lamp.

To contact the technical assistance, visit our website:

<https://corporate.haier-europe.com/en/>

Under the section "website", choose the brand of your product and your country. You will be redirected to the specific website where you can find the telephone number and form to contact the technical assistance.

Product fiche according to regulation EU No. 2019/2016

Brand	Haier	Haier	Haier
Model name / identifier	HWS33GG	HWS31GGE	HWS33GGFR
Rated bottle capacity	33	31	33
Household refrigeration category	I	I	I
Energy efficiency class	G	G	G
Annual energy consumption (kWh/year) ¹⁾	154	154	154
Storage volume (L)	93	93	93
Climate class: This appliance is intended to be used at an ambient temperature between 16 °C and 38 °C.	ST	ST	ST
Airborne acoustical noise emissions (db(A) re 1pW)	C(37)	C(37)	C(37)
Type of appliance	Freestanding	Freestanding	Freestanding
This appliance is intended to be used exclusively for the storage of wine.	Yes	Yes	Yes
Dimensions (D/W/H in mm)	455/499/830	455/499/830	455/499/830

Explanations:

1) based on standard test results for 24 hours. The actual power consumption depends on the actual environment, the amount of bottling, the set temperature, the door opening and closing, etc.

2) The nominal power consumption is the value obtained according to the standard test when the wine cabinet does not turn on the internal light and the air cycle

- extended temperate: 'this refrigerating appliance is intended to be used at ambient temperatures ranging from 10 °C to 32 °C';

- temperate: 'this refrigerating appliance is intended to be used at ambient temperatures ranging from 16 °C to 32 °C';

- subtropical: 'this refrigerating appliance is intended to be used at ambient temperatures ranging from 16 °C to 38 °C';

- tropical: 'this refrigerating appliance is intended to be used at ambient temperatures ranging from 16 °C to 43 °C';

Standards and directives

This product meets the requirements of all applicable EC directives with the corresponding harmonised standards, which provide for CE marking.

We recommend our Haier Customer Service and the use of original spare parts.
 If you have a problem with your appliance, please first check section TROUBLESHOOTING.
 If you cannot find a solution there, please contact

- ▶ your local dealer or
- ▶ the Service & Support area at www.haier.com where you can find telephone numbers and FAQs and where you can activate the service claim.

To contact our Service, ensure that you have the following data available.

The information can be found on the rating plate.

Model _____ Serial No. _____

Also check the Warranty Card supplied with the product in case of warranty.

For general business enquiries please find our addresses in Europe below:

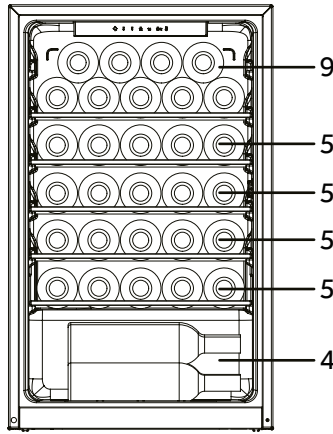
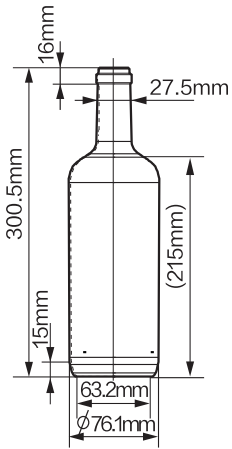
European Haier addresses

Country*	Postal address	Country	Postal address
Italy	Haier Europe Trading SRL Via De Cristoforis, 12 21100 Verese ITALY	France	Haier Europe Trading SRL Via De Cristoforis, 12 21100 Verese ITALY
Spain Portugal	Haier Iberia SL Pg. Garcia Faria, 49-51 08019 Barcelona SPAIN	Belgium-FR Belgium-NL Netherlands Luxembourg	Haier Benelux SA Anderlecht Route de Lennik 451 BELGIUM
Germany Austria	Haier Deutschland GmbH Hewlett-Packard-Str. 4 D-61352 Bad Homburg GERMANY	Poland Czechia Hungary Greece	Haier Poland Sp. zo.o. Al. Jerozolimskie 181B 02-222 Warszawa POLAND
United Kingdom	Haier Appliances UK Co. Ltd. One Crown Square Church Street East Woking, Surrey, GU21 6HR UK	Romania Russia	

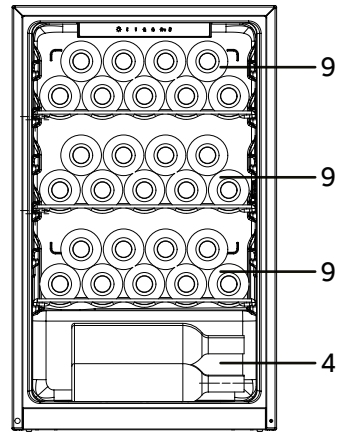
AVAILABILITY OF SPARE PARTS: Thermostats, temperature sensors, printed circuit boards and light sources are available for a minimum period of seven years after placing the last unit of the model on the market. Door handles, door hinges, trays and baskets for a minimum period of seven years and door gaskets for a minimum period of 10 year, after placing the last unit of the model on the market

Minimum guarantee is: 2 years for EU Countries, 3 years for Turkey, 1 year for UK, 1 year for Russia, 3 years for Sweden, 2 years for Serbia, 5 years for Norway, 1 year for Morocco, 6 months for Algeria, Tunisia no legal warranty required.

For further information about the product, please consult <https://eprel.ec.europa.eu/> or scan the QR on the energy label supplied with the appliance.



HWS33GG
HWS33GGFR
(33 bottle capacity)



HWS31GGE
(31 bottle capacity)



Benutzerhandbuch

Weinklimaschrank

HWS33GG
HWS31GGE
HWS33GGFR

DE

Haier

Vielen Dank für den Kauf eines Haier-Produkts.

Bitte lesen Sie diese Anweisungen sorgfältig durch, bevor Sie dieses Gerät benutzen. Die Anleitung enthält wichtige Informationen, die Ihnen helfen, das Gerät optimal zu nutzen und eine sichere und ordnungsgemäße Installation, Verwendung und Wartung zu gewährleisten.

Bewahren Sie diese Anleitung an einem geeigneten Ort auf, damit Sie jederzeit für die sichere und ordnungsgemäße Verwendung des Geräts darauf zurückgreifen können.

Wenn Sie das Gerät verkaufen, weggeben oder bei einem Umzug zurücklassen, vergewissern Sie sich, dass diese Anleitung auch beigelegt wird, damit sich der neue Besitzer mit dem Gerät und den Sicherheitshinweisen vertraut machen kann.



Legende

Warnung - Wichtige Sicherheitsinformationen



Allgemeine Informationen und Tipps



Umweltinformationen



Entsorgung

Tragen Sie zum Schutz der Umwelt und der menschlichen Gesundheit bei. Die Verpackung zum Recyceln in die entsprechenden Behälter entsorgen. Unterstützen Sie das Recycling von Elektro- und Elektronik-Altgeräten. Entsorgen Sie Geräte, die mit diesem Symbol gekennzeichnet sind, nicht mit dem Hausmüll. Geben Sie das Produkt an Ihre lokale Recyclinganlage zurück oder wenden Sie sich an Ihre Stadtverwaltung.



WARNUNG!

Verletzungs- oder Erstickungsgefahr!

Kältemittel und Gase müssen fachgerecht entsorgt werden. Überprüfen Sie, dass der Schlauch des Kühlkreislaufs nicht beschädigt wird, bevor er ordnungsgemäß entsorgt wird. Trennen Sie das Gerät von der Stromversorgung. Trennen Sie das Netzkabel und entsorgen Sie es. Entfernen Sie die Bleche und Schubladen sowie die Türöffnung und Dichtungen, um zu verhindern, dass Kinder und Haustiere im Gerät eingeschlossen werden.

Altgeräte haben noch einen gewissen Restwert. Eine umweltfreundliche Entsorgungsmethode gewährleistet, dass wertvolle Rohstoffe wieder verwertet und wiederverwendet werden können.

Cyclopentan ist eine entzündliche für Ozon nicht schädliche Substanz, die als Treibmittel im Isolierschaum verwendet wird.

Indem Sie sicherstellen, dass dieses Produkt ordnungsgemäß entsorgt wird, tragen Sie dazu bei, mögliche negative Folgen für die Umwelt und die menschliche Gesundheit zu vermeiden, die andernfalls verursacht werden könnten.

Für weitere Informationen über das Recycling dieses Produkts wenden Sie sich bitte an Ihre örtlich zuständige Behörde, Ihr Müllabfuhrunternehmen oder an das Geschäft, in dem Sie das Produkt erworben haben und das von Fachleuten geführt wird.

1 - Sicherheitsinformationen	4
2 - Sicherheitstipps.....	6
3 - Wartung.....	11
4 - Zubehör.....	13
5 - Produktbeschreibung	14
6 - Installation.....	15
7 - Nutzung.....	17
8 - Energiespartipps	18
9 - Ausrüstung	19
10 - Pflege und Reinigung	20
11 - Fehlerbehebung.....	21
12 - Technische Daten	25
13 - Kundenservice.....	26
14 - Stapeln von Weinflaschen	27

Dieses Gerät ist ausschließlich für die Weinlagerung bestimmt. Lesen Sie vor dem ersten Einschalten des Geräts folgende Sicherheitshinweise:



WARNUNG!

Vor der ersten Inbetriebnahme

- ▶ Vergewissern Sie sich, dass keine Transportschäden vorliegen.
- ▶ Entfernen Sie sämtliches Verpackungsmaterial und bewahren Sie es außerhalb der Reichweite von Kindern auf und entsorgen Sie es umweltfreundlich.
- ▶ Warten Sie vor dem Einschalten des Geräts mindestens zwei Stunden, damit der Kühlkreislauf auch sicher und effektiv arbeitet.
- ▶ Das Gerät immer mit mindestens zwei Personen transportieren, da es schwer ist.

Installation

- ▶ Das Gerät sollte an einem gut belüfteten Ort aufgestellt werden. Idealerweise müssen mindestens 10 cm rund um das Gerät frei bleiben.
- ▶ **WARNUNG:** Lüftungsschlitze am Gehäuse des Geräts oder in der Einbauöffnung freihalten.
- ▶ Stellen Sie das Gerät niemals in einem feuchten Bereich oder an einem Ort auf, wo es mit Wasser nassgespritzt werden könnte. Reinigen Sie Wasserspritzer und Flecken mit einem weichen, sauberen Tuch.
- ▶ Stellen Sie Ihren Weintemperierschrank nicht an einem Ort auf, der nicht ordnungsgemäß isoliert oder beheizt ist (z. B. in einer Garage usw.). Ihr Weintemperierschrank ist nicht für den Betrieb bei einer Umgebungstemperatur unter 16 °C ausgelegt.
- ▶ Stellen Sie das Gerät nicht in direktem Sonnenlicht oder in der Nähe von Hitzequellen (z. B. Herden, Heizungen) auf.
- ▶ Installieren und richten Sie das Gerät in einem Bereich ein, der für seine Größe und Verwendung geeignet ist.
- ▶ Stellen Sie sicher, dass die elektrischen Informationen auf dem Typenschild der Stromversorgung entsprechen. Ist dies nicht der Fall, wenden Sie sich an einen Elektriker.

**WARNUNG!**

- ▶ Das Gerät wird über eine 220-240 V Wechselspannung/50 Hz betrieben. Unnormale Spannungsschwankungen könnten dazu führen, dass das Gerät nicht angeht, der Temperaturregler oder Kompressor beschädigt wird, oder dass während des Betriebs ein unnormales Geräusch auftritt. In einem solchen Fall ist ein automatischer Regler anzubringen.
- ▶ Verwenden Sie keine Mehrfachsteckadapter und Verlängerungskabel.
- ▶ **WARNUNG:** Keine Mehrfachsteckdosen oder Verlängerungen hinter dem Gerät platzieren.
- ▶ **WARNUNG:** Beim Aufstellen des Geräts darauf achten, dass das Stromkabel nicht eingeklemmt oder beschädigt wird.
- ▶ Nicht auf das Netzkabel treten
- ▶ Verwenden Sie eine separate, geerdete Steckdose für eine leicht zugängliche Stromversorgung. Das Gerät muss geerdet werden.
- ▶ Nur für UK: (geerdeter) Stecker, der in eine standardmäßige 3-adrige (geerdete) Steckdose passt. Den dritten Stift (Erdung) auf keinen Fall kappen oder entfernen. Das Gerät muss so installiert werden, dass der Stecker erreichbar ist.
- ▶ **WARNUNG:** Den Kühlkreislauf nicht beschädigen.

Täglicher Gebrauch

- ▶ Dieses Gerät kann von Kindern ab 8 Jahren und Personen mit eingeschränkten körperlichen, sensorischen oder geistigen Fähigkeiten oder mangelnder Erfahrung und mangelndem Wissen benutzt werden, wenn diese in die sichere Bedienung des Geräts eingewiesen wurden oder beaufsichtigt werden und die damit verbundenen Gefahren verstanden haben.
- ▶ Kinder dürfen nicht mit dem Gerät spielen.
- ▶ Kinder im Alter von 3 bis 8 Jahren dürfen Kühlgeräte be- und entladen, aber die Kühlgeräte nicht reinigen und installieren.
- ▶ Kinder unter 3 Jahren vom Gerät fernhalten, es sei denn, sie werden ständig beaufsichtigt.
- ▶ Kinder dürfen Reinigungs- und Pflegeaufgaben nur unter Aufsicht ausführen.
- ▶ Das Gerät sollte so positioniert sein, dass der Stecker frei zugänglich ist.



WARNUNG!

- ▶ Wenn Kohlegas oder ein anderes brennbares Gas in die Nähe des Geräts gelangt, schalten Sie das Ventil des auslaufenden Gases ab, öffnen Sie die Türen und Fenster und ziehen Sie nicht den Gerätenetzstecker.
- ▶ Warten Sie nach dem Ausschalten mindestens 7 Minuten, bevor Sie den Netzstecker wieder einstecken.
- ▶ Heben Sie das Gerät nicht an seinen Türgriffen an.
- ▶ Beachten Sie, dass das Gerät für den Betrieb im spezifischen Umgebungstemperaturbereich zwischen 16 und 38°C eingestellt ist. Das Gerät kann nicht richtig funktionieren, wenn es längere Zeit bei einer Temperatur über oder unter dem angegebenen Bereich verbleibt.
- ▶ Stellen Sie keine instabilen Gegenstände (schwere Gegenstände, mit Wasser gefüllte Behälter) auf das Gerät, um Verletzungen durch Herunterfallen oder elektrische Schläge durch Kontakt mit Wasser zu vermeiden.
- ▶ Die Tür nur mit den Griffen öffnen und schließen. Der Spalt zwischen Tür und Schrank ist sehr schmal. Stecken Sie nicht Ihre Hände in diese Bereiche, um zu vermeiden, dass Sie Ihre Finger eingeklemmt werden. Die Gerätetüren nur dann öffnen oder schließen, wenn keine Kinder im Bewegungsbereich der Tür stehen.
- ▶ Keine brennbaren, explosionsfähigen oder korrosiven Substanzen im Gerät oder in der Nähe verwenden.
- ▶ Keine explosiven Substanzen mit entzündlichen Treibgasen, wie Sprühdosen, in diesem Gerät lagern.
- ▶ Keine Arzneimittel, Bakterien oder Chemikalien im Gerät lagern. Dieses Gerät ist ein Haushaltsgerät, es wird daher davon abgeraten, Materialien zu lagern, die eine exakte Temperatur erfordern.
- ▶ Keine unnötig niedrigen Temperaturen im Weinklimaschrank einstellen. Bei hohen Einstellungen kann es zu Minder-temperaturen kommen. Achtung: Flaschen können platzen.
- ▶ Berühren Sie nicht die Innenfläche des Geräteraums, insbesondere nicht mit nassen Händen, da die Finger an der Oberfläche festfrieren könnten.
- ▶ Um eine ordnungsgemäße Weinkühlung zu gewährleisten, darf das Gerät nicht überladen werden.

**WARNUNG!**

- ▶ Ziehen Sie den Gerätestecker aus der Steckdose, falls die Stromversorgung unterbrochen wird oder bevor Sie das Gerät reinigen. Warten Sie vor dem Neustart mindestens 7 Minuten, da durch häufiges Einschalten der Kompressor beschädigt werden kann.
- ▶ **WARNUNG:** Verwenden Sie keine elektrischen Geräte im Innern des Geräts, es sei denn, der Typ wurde vom Hersteller empfohlen. Um Gefahren zu vermeiden, muss ein beschädigtes Netzkabel vom Kundenservice ausgetauscht werden (siehe Garantiekarte).
- ▶ Um die Lebensdauer des Geräts zu verlängern, sollten Sie es nicht ausschalten.
- ▶ Stellen Sie das Gerät niemals waagrecht auf den Boden. Wenn das Gerät um mehr als 45° gekippt wurde, warten Sie 0,5 Stunden, bevor Sie es anschließen.

Wartung / Reinigung

- ▶ Kinder müssen beaufsichtigt werden, wenn sie das Gerät reinigen und warten.
- ▶ Trennen Sie das Gerät von der Stromversorgung, bevor Sie eine routinemäßige Wartung durchführen. Warten Sie vor dem Neustart mindestens 7 Minuten, da durch häufiges Einschalten der Kompressor beschädigt werden kann.
- ▶ Fassen Sie beim Herausziehen des Gerätesteckers aus der Steckdose, den Stecker und nicht das Kabel an.
- ▶ Reinigen Sie das Gerät nicht mit harten Bürsten, Drahtbürsten, Reinigungspulver, Benzin, Amylacetat, Aceton und ähnlichen organischen Lösungen, Säure oder Alkalilösungen. Bitte reinigen Sie das Gerät mit einem speziellen Reinigungsmittel für Kühl-/Gefriergeräte, um Beschädigungen zu vermeiden. Verwenden Sie ggf. warmes Wasser und eine Natronlösung - etwa einen Esslöffel Backnatron auf einen Liter/Winkel Wasser. Gründlich mit Wasser abspülen und trocken reiben. Verwenden Sie keine Reinigungspulver oder anderen Scheuermittel. Waschen Sie herausnehmbare Teile nicht in der Geschirrspülmaschine.

- ▶ **WARNUNG:** Keine mechanischen oder sonstigen Hilfsmittel verwenden, um den Abtauvorgang zu beschleunigen, es sei denn, dies ist vom Hersteller so empfohlen.
- ▶ Wenn das Stromkabel beschädigt ist, muss es vom Hersteller oder von seinem Service-Mitarbeiter, oder einer gleichwertig qualifizierten Person ausgetauscht werden, um jegliches Risiko zu vermeiden.
- ▶ Versuchen Sie nicht, das Gerät selbst zu reparieren, zu zerlegen oder zu verändern. Bei Reparaturen wenden Sie sich bitte an unseren Kundenservice.
- ▶ Wenn die Lampen beschädigt sind, müssen sie vom Hersteller, von seinem Service-Mitarbeiter, oder einer gleichwertig qualifizierten Person ausgetauscht werden, um jegliches Risiko zu vermeiden.
- ▶ Entfernen Sie den Staub auf der Geräterückseite mindestens einmal im Jahr, um Brandgefahr und einen erhöhten Energieverbrauch zu vermeiden.
- ▶ Das Gerät während der Reinigung nicht mit Flüssigkeit besprühen.
- ▶ Das Gerät nicht mit Wasser besprühen oder mit Dampf reinigen.
- ▶ Die kalte Glastür nicht mit heißem Wasser reinigen. Plötzliche Temperaturschwankungen können dazu führen, dass das Glas zerspringt.
- ▶ Wenn Sie das Gerät längere Zeit nicht benutzen, lassen Sie es offen, um zu verhindern, dass sich unangenehme Gerüche im Inneren bilden.

Angaben zu Kältemittelgasen



WARNUNG!

Das Gerät enthält das entzündliche Kältemittel ISOBUTAN (R600a). Stellen Sie sicher, dass der Kühlkreislauf während des Transports oder der Installation nicht beschädigt wird. Auslaufendes Kältemittel kann Augenverletzungen verursachen oder sich entzünden. Falls Schäden aufgetreten sind, halten Sie sich von offenen Brandquellen fern, lüften Sie den Raum gründlich, stecken Sie die Netzkabel des Geräts oder eines anderen Geräts nicht ein oder aus. Informieren Sie den Kundendienst.

Falls die Augen mit dem Kältemittel in Kontakt kommen, sofort unter fließendem Wasser ausspülen und den Augenarzt verständigen.

WARNUNG: Das Kühlsystem steht unter hohem Druck. Nicht daran manipulieren. Da entzündliche Kältemittel verwendet werden, bitte das Gerät entsprechend der Anweisung installieren, handhaben und warten. Wenden Sie sich an den Fachtechniker oder unseren Kundenservice, um das Gerät zu entsorgen.

Bestimmungsgemäße Verwendung


Dieses Gerät ist ausschließlich für den Hausgebrauch und vergleichbare Verwendungen bestimmt.

- Personalküchen in Geschäften, Büros und anderen Arbeitsumgebungen,
 - in landwirtschaftlichen Betrieben, für die Nutzung durch Gäste von Hotels, Pensionen und ähnlichen Unterkünften,
 - Bed & Breakfast (B&B),
 - Catering-Dienste und ähnliche, nicht kommerzielle Zwecke.
- Um eine sichere Konservierung des Weins zu gewährleisten, halten Sie sich bitte an diese Gebrauchsanweisung.
- Einzelheiten über die Gerätebereiche, die je nach Temperaturverteilung in den verschiedenen Fächern am besten für die Lagerung bestimmter Lebensmittel geeignet sind, finden Sie im anderen Teil der Anleitung.

Änderungen oder Anpassungen am Gerät sind nicht erlaubt. Eine unsachgemäße Verwendung kann zu Gefahren und zum Verlust von Garantieansprüchen führen.

Entsorgung



Das  Symbol auf dem Produkt oder auf der Verpackung weist darauf hin, dass es nicht als Hausmüll entsorgt werden darf. Stattdessen sollte es an die zuständige Sammelstelle für das Recycling von Elektro- und Elektronik-Altgeräten übergeben werden. Bitte stellen Sie sicher, dass das Produkt nach seiner Außerbetriebnahme ordnungsgemäß entsorgt wird. Damit tragen Sie dazu bei, gesundheits- und umweltschädigende Auswirkungen zu verhindern, die eine nicht korrekte Entsorgung am Ende der Nutzungsdauer zur Folge haben könnte. Für weitere Informationen über das Recycling dieses Produkts wenden Sie sich bitte an Ihre örtlich zuständige Behörde, Ihr Müllabfuhrunternehmen oder an das Geschäft, in dem Sie das Produkt erworben haben.

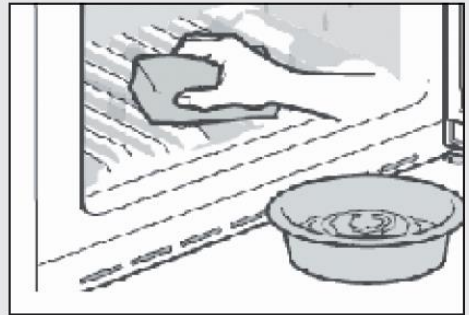
Da brennbare Isolationsblasgase verwendet werden, wenden Sie sich bitte an den Fachtechniker oder unseren Kundendienst, um das Gerät zu entsorgen.

WARNUNG!

Erstickungsgefahr!

Kältemittel und Gase müssen fachgerecht entsorgt werden. Überprüfen Sie, dass der Schlauch des Kühlkreislaufs nicht beschädigt wird, bevor er ordnungsgemäß entsorgt wird. Trennen Sie das Gerät von der Stromversorgung. Trennen Sie das Netzkabel und entsorgen Sie es. Entfernen Sie die Bleche und Schubladen sowie die Türöffnung und Dichtungen, um zu verhindern, dass Kinder und Haustiere im Gerät eingeschlossen werden.

- ▶ **WARNUNG:** Trennen Sie das Gerät vor der Reinigung von der Stromversorgung.
- ▶ Reinigen Sie das Gerät nicht mit harten Bürsten, Drahtbürsten, Reinigungspulver, Benzin, Amylacetat, Aceton und ähnlichen organischen Lösungen, Säure oder Alkalilösungen. Bitte reinigen Sie das Gerät mit einem speziellen Reinigungsmittel für Kühlgeräte, um Beschädigungen zu vermeiden.
- ▶ Reinigen Sie das Gerät, wenn nur wenig oder kein Wein gelagert wird. Das Gerät muss nur dann gereinigt werden, wenn es schmutzig ist.
- ▶ Reinigen Sie das Innere und das Gehäuse des Gerätes mit einem Schwamm, der mit warmem Wasser und einem neutralen Reinigungsmittel angefeuchtet wurde.
- ▶ Mit sauberem, warmen Wasser abwaschen und mit einem weichen Tuch abtrocknen.
- ▶ Reinigen Sie Geräteteile nicht in einer Geschirrspülmaschine.
- ▶ Warten Sie vor dem Neustart mindestens 7 Minuten, da durch häufiges Einschalten der Kompressor beschädigt werden kann.



Reinigen Sie die Türdichtung:

- ▶ Die Türdichtungen sollten regelmäßig gereinigt werden, um eine ordnungsgemäße Abdichtung zu gewährleisten.

Wie unten: Entfernen: Fassen Sie die Türdichtung und ziehen Sie sie entsprechend der

Pfeilrichtung heraus, um die gesamte Türdichtung der Reihe nach zu entfernen. Tauchen Sie die Bürste in Wasser oder lebensmittelechtem Alkohol ein, reinigen Sie zuerst die Türdichtungsnut, indem Sie die Bürste hin- und herziehen.

Wischen Sie dann die

Türdichtung mit einem Tuch ab, das mit Wasser oder Alkohol in Lebensmittelqualität getränkt wurde. Reinigen Sie die Türdichtung und reiben Sie sie mit einem sauberen Tuch trocken.



Montage der Türdichtung nach der Reinigung:

Vergewissern Sie sich, dass sich vor der Installation kein Wasser auf der Türdichtung befindet. Setzen Sie die Türdichtung in die Nut ein und drücken Sie die Türdichtung von oben nach unten fest an, bis die gesamte Türdichtung in die Nut eingeführt ist.

Reinigen der Einlegeböden:

Alle Einlegeböden können zur Reinigung herausgenommen werden.

Alle Flaschen herausnehmen.

Heben Sie jeden Einlegeboden ein wenig an und nehmen Sie ihn heraus.

Reinigen Sie den Einlegeboden mit einem weichen Tuch.

Warten Sie, bis die Einlegeböden trocken sind, bevor Sie sie wieder einsetzen.

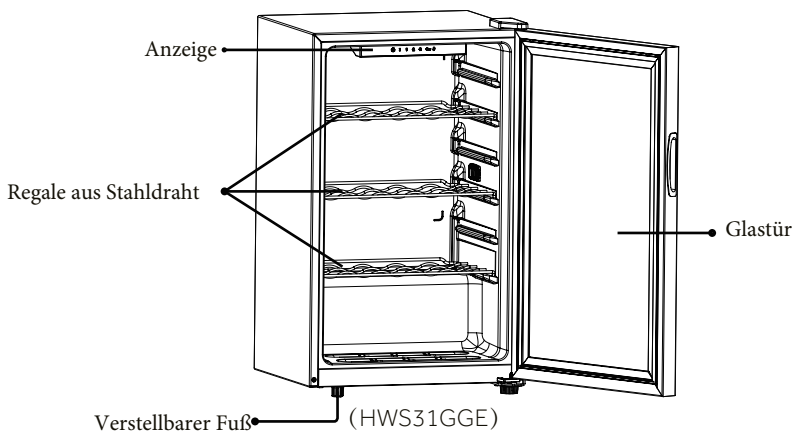
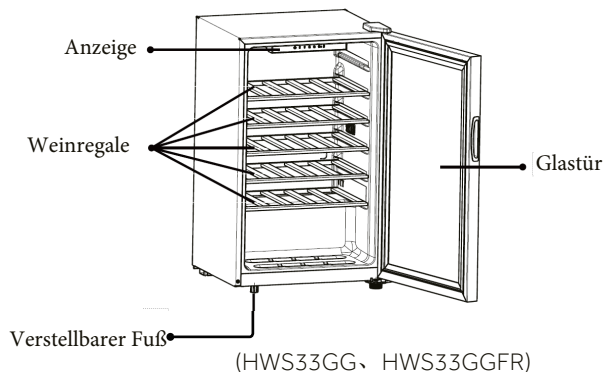
Prüfen Sie das Zubehör und die Literatur gemäß dieser Liste:
ohne Isolierung.

Menge	Name	Benutzerhandbuch	Informationspaket	Weinregale	Regale aus Stahdraht
Produkt modell					
HWS33GG		1	1	5	0
HWS31GGE		1	1	0	3
HWS33GGFR		1	1	5	0

Hinweis

Aufgrund von technischen Änderungen und unterschiedlichen Modellen können einige der Abbildungen in dieser Anleitung von Ihrem Modell abweichen.

Geräteabbildung



Dieses Produkt enthält eine Lichtquelle der Energieeffizienzklasse G.

1. Auspacken

- ▶ Nehmen Sie das Gerät aus der Verpackung.
- ▶ Entfernen Sie alle Verpackungsmaterialien, einschließlich des Schaumstoffbodens und des Klebebandes, auf dem das Zubehör befestigt ist.

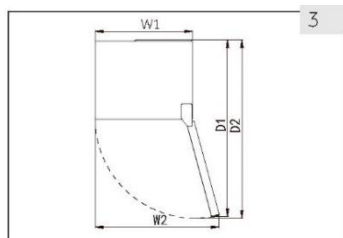
2. Umgebungsbedingungen

Die Raumtemperatur sollte immer zwischen 16°C und 38°C liegen, da sie die Temperatur im Inneren des Geräts und dessen Energieverbrauch beeinflussen kann. Das Gerät nicht in der Nähe anderer wärmeemittierender Geräte (Ofen, Kühlschränke) installieren.

3. Platzbedarf

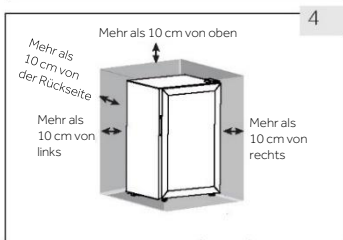
Erforderlicher Platz zum Öffnen der Tür (Abb. 3):

Breite in mm		Tief e in mm	
W1	W2	D1	D2
499	633	905	919



4. Lüftungsraum

Aus Sicherheits- und Energiegründen ist der erforderliche Lüftungsabstand von 10 cm in alle Richtungen einzuhalten (Abb. 4).



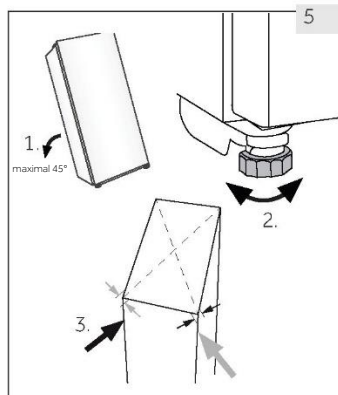
WARNUNG!

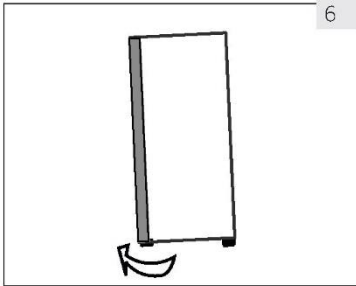
- ▶ Lüftungsschlitze am Gerät oder in der Einbaustruktur freihalten. Dieses Kühlgerät ist nicht zur Verwendung als Einbaugerät bestimmt.

5. Geräteausrichtung

Das Gerät sollte auf einer flachen und festen Oberfläche aufgestellt werden.

1. Das Gerät leicht nach hinten neigen (Abb. 5).
2. Stellen Sie die verstellbaren Vorderfüße durch Drehen auf die gewünschte Höhe ein.
3. Die Stabilität kann durch abwechselndes Anschlagen gegen die Diagonalen überprüft werden. Das leichte Schwanken sollte in beide Richtungen gleich sein. Andernfalls kann sich der Rahmen verziehen; mögliche undichte Türdichtungen sind die Folge. Eine geringe Neigung nach hinten erleichtert das Schließen der Tür.





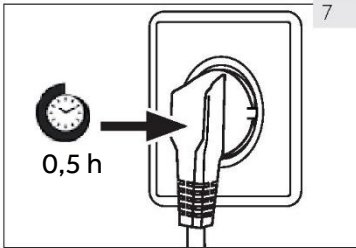
6

6. Feinabstimmung der Tür

Das Gerät schließt sich leichter, wenn die Nivellierfüße an der Vorderseite verwendet werden:

Drehen Sie die verstellbaren Füße (Abb. 6), um sie nach oben oder unten zu verstellen:

- ▶ Durch Drehen der Füße im Uhrzeigersinn wird das Gerät angehoben.
- ▶ Durch Drehen der Füße gegen den Uhrzeigersinn, wird das Gerät abgesenkt.



7

7. Wartezeit

Das wartungsfreie Schmieröl befindet sich in der Kapsel des Kompressors. Dieses Öl kann beim Transport durch das geschlossene Rohrsystem gelangen, wenn das Gerät gekippt wird. Warten Sie 0,5 Stunden, bevor Sie das Gerät an die Stromversorgung anschließen, (Abb. 7), damit das Öl wieder in die Kapsel zurückfließt.

8. Elektrischer Anschluss

Überprüfen Sie vor jeder Verbindung, dass:

- ▶ die Stromversorgung, Steckdose und Sicherung den Angaben auf dem Typenschild entsprechen.
- ▶ die Steckdose geerdet ist und kein Mehrfachstecker oder Verlängerungskabel vorhanden ist.
- ▶ Netzstecker und Steckdose richtig zusammenpassen.

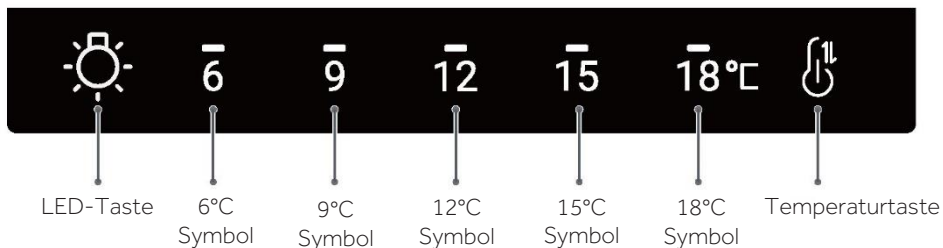
Schließen Sie den Stecker an eine ordnungsgemäß installierte Haushaltssteckdose an.



WARNUNG!

Um Gefahren zu vermeiden, muss ein beschädigtes Netzkabel vom Kundenservice ausgetauscht werden (siehe Garantiekarte).

Bedienfeld



Der Temperaturbereich der Anzeigetafel beträgt 6-18°C

Die Standardeinstellung beträgt 12°C

Sie können die Temperatur je nach Ihren Anforderungen an die Weinlagerung einstellen.

1. Temperatureinstellung

Drücken Sie die „Temperaturtaste“, damit das oberste Symbol der aktuellen Temperaturstufe aufleuchtet; drücken Sie die „Temperaturtaste“ erneut und erhöhen Sie die Temperatur in insgesamt fünf Schritten. Wenn die Temperatur 18°C erreicht hat und Sie die Einstellung fortsetzen, kommt 6°C an die Reihe und die weiteren Temperaturen danach. Wenn die gewünschte Temperatur ausgewählt und der Betrieb 5 Sekunden lang angehalten wird, stellt das System automatisch die aktuellen Einstellungsparameter wieder her.

2. Innenbeleuchtung

Drücken Sie die „Beleuchtungstaste“ einmal, damit das Licht im Schrank angeht; drücken Sie die „Beleuchtungstaste“ erneut und das Licht im Schrank geht aus.

3. Ausschalt Speicher-Funktion

Die eingestellte Temperatur im Schrank wird gespeichert. Nach dem erneuten Einstecken kehrt das Gerät in den Zustand vor dem Einschalten zurück.



Energiespartipps

- ▶ Stellen Sie sicher, dass das Gerät ordnungsgemäß belüftet ist (siehe INSTALLATION).
- ▶ Stellen Sie das Gerät nicht in direktem Sonnenlicht oder in der Nähe von Hitzequellen (z. B. Herden, Heizungen) auf.
- ▶ Vermeiden Sie unnötig niedrige Temperaturen im Gerät. Je niedriger die im Gerät eingestellte Temperatur, umso höher der Energieverbrauch.
- ▶ Öffnen Sie die Gerätetür so wenig und so kurz wie möglich
- ▶ Überschreiten Sie nicht die festgelegte Anzahl an Flaschen, um den Luftstrom nicht zu behindern.
- ▶ Halten Sie Türdichtungen sauber, damit die Tür immer richtig schließt.
- ▶ Die energiesparendste Konfiguration erfordert, dass die Einlegeböden im Gerät so wie geliefert eingesetzt sind und der Wein so platziert wird, dass er den Luftauslass des Kanals nicht blockiert.

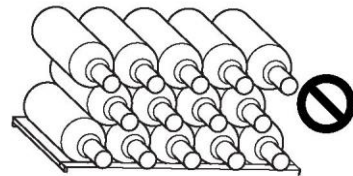
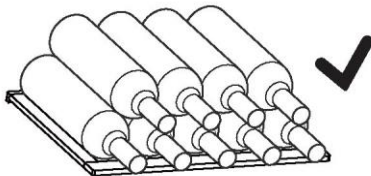
1. Einlegeboden

1. Die Einlegeböden sind für eine einfache Aufbewahrung und ein einfaches Herausnehmen des Weins ausgelegt. Sie können mit einem weichen Tuch gereinigt werden.
2. Reguläre Flaschen mit einem Durchmesser von 76 mm können gestapelt werden.
3. Magnum-Flaschen können unten im Schrank gestapelt werden.
4. Die Menge kann von der angegebenen Anzahl bzw. den Flaschen abweichen, wenn diese auf eine andere Weise gestapelt wurden.



Vorsichtsmaßnahmen für die Benutzung des Weintemperierschranks

Legen Sie nicht zu viele Weinflaschen in den Kühlschrank, um die Tragfähigkeit der Regalflächen nicht zu überschreiten. Legen Sie nicht mehr als drei Lagen Weinflaschen auf jeden Regalboden. Die Anzahl der Weinflaschen sollte nicht mehr als drei Schichten pro Einlegeboden betragen und die Tragkraft der Weineinlegeböden sollte 15 kg nicht übersteigen.

Vor dem Einlegen der Flaschen in den Weinklimaschrank müssen Sie sich vergewissern, dass die Einlegeböden stabil sind. Vergewissern Sie sich außerdem, dass keine Flasche aus den Einlegeböden herausragt, um zu vermeiden, dass Flaschen beim Schließen gegen die Glastür schlagen.



2. Das Licht

Drücken Sie bei geöffneter Tür auf  die Lichttaste, um das Licht einzuschalten; drücken Sie erneut auf  die Lichttaste, um das Licht auszuschalten.

3. Automatisches Abtauen

Dieses Gerät ist mit einer automatischen Abtaufunktion ausgestattet. Achten Sie während des Betriebs darauf, dass das Abflussloch nicht verstopft ist, damit das Tauwasser ungehindert in den Wasserbehälter im Weintemperierschrank fließen kann. Reinigen Sie regelmäßig die Wasserbehälter am Boden der Fächer; verwenden Sie ein trockenes Tuch, um das Wasser in den Wasserbehältern aufzusaugen und wischen Sie sie ab (reinigen Sie sie alle drei Monate, wie empfohlen).

1. Abtauen

Das Abtauen des Weinklimaschranks erfolgt automatisch, es ist keine manuelle Tätigkeit erforderlich.

2. Austausch der LED-Leuchte

Die Leuchte nutzt als Lichtquelle eine LED mit geringem Energieverbrauch und langer Lebensdauer. Bei Anomalien wenden Sie sich bitte an den Kundenservice. Siehe KUNDENSERVICE.



WARNUNG!



Ersetzen Sie die LED-Leuchte nicht selbst. Sie darf nur vom Hersteller oder von einem autorisierten Service-Mitarbeiter ausgetauscht werden.

Parameter der LED-Leuchte:

Spannung 12 V; Max. Leistung: 2 W

3. Nichtverwendung für einen längeren Zeitraum

Das Netzkabel abziehen.

Reinigen Sie das Gerät und die Türdichtungen wie oben beschrieben.

Halten Sie die Tür offen, um zu verhindern, dass sich schlechte Gerüche bilden.

4. Verstellen des Gerätes

1. Nehmen Sie alle Flaschen heraus und ziehen Sie den Gerätestecker.
2. Fixieren Sie die Einlegeböden und andere bewegliche Teile im Weinklimaschrank mit Klebeband.
3. Den Weinklimaschrank um maximal 45° kippen, um eine Beschädigung des Kühlsystems zu vermeiden.

Viele auftretende Probleme können von Ihnen selbst ohne spezifische Fachkenntnisse gelöst werden. Bei Problemen prüfen Sie bitte alle angezeigten Möglichkeiten und befolgen Sie die nachstehenden Anweisungen, bevor Sie einen Kundenservice kontaktieren. Siehe KUNDENSERVICE.



WARNUNG!

- ▶ Das Gerät vor der Wartung deaktivieren und den Netzstecker aus der Steckdose ziehen.
- ▶ Elektrische Geräte sollten nur von qualifizierten Fachelektrikern repariert werden, da unsachgemäße Reparaturen erhebliche Folgeschäden verursachen können.
- ▶ Eine beschädigte Lieferung sollte nur vom Hersteller, von seinem Service-Mitarbeiter oder einer gleichwertig qualifizierten Person ausgetauscht werden, um jegliches Risiko zu vermeiden.

Fehlercode	Ursache	Lösung
Symbol „9“ blinkt	Kühlsensor defekt.	Rufen Sie den telefonischen Kundendienst an.
Symbol „12“ blinkt	Alarm Kältetechniksensor.	Rufen Sie den telefonischen Kundendienst an.

Problem	Mögliche Ursache	Mögliche Behebung
Frost hinten im Inneren des Kühlschranks?	<ul style="list-style-type: none"> Die Kühlrohre sind auf der Rückseite der Innenverkleidung eines Weinschranks angebracht. 	<ul style="list-style-type: none"> Dies ist ein normales Phänomen. Der Weintemperierschrank wird automatisch gefrostet, ohne dass die normale Nutzung beeinträchtigt wird.
Der Kühlschrank ist zu laut?	<ul style="list-style-type: none"> Er wurde wackelig aufgestellt. 	<ul style="list-style-type: none"> Bringen Sie den Schrank über die Stellfüße stabil in die Waage. Achten Sie darauf, dass der Schrank keine anderen Gegenstände oder Wände berührt.
Geräusch von fließender Flüssigkeit im Schrank?	<ul style="list-style-type: none"> Dies ist das Geräusch des Kältemittelflusses in der Umlaufleitung des Kühlsystems. 	<ul style="list-style-type: none"> Dies ist ein normales Phänomen.
Der Weintemperierschrank funktioniert nicht?	<ul style="list-style-type: none"> Verbindung zwischen dem Stecker des Weintemperierschranks und der Steckdose. Schutzmodus des Kompressors. 	<ul style="list-style-type: none"> Vergewissern Sie sich, dass der Stecker des Weintemperierschranks richtig in der Steckdose steckt. Die Steckdose steht unter Spannung und sollte ordnungsgemäß installiert sein. Der Kompressor verfügt über einen Schutzmodus mit einem Intervall von 7 Minuten.
Warum sind auf beiden Seiten des Gehäuses leichte Rillen zu sehen?	<ul style="list-style-type: none"> Das Phänomen der wärmebedingten Ausdehnung und Kontraktion. 	<ul style="list-style-type: none"> Dies ist ein normales Phänomen. Damit sollen eine gute Wärmeableitung und eine hohe Arbeitseffizienz des Weintemperierschranks gewährleistet werden.
Tür nicht dicht geschlossen, Luftaustritt?	<ul style="list-style-type: none"> Wenn das Produkt über einen längeren Zeitraum verwendet wird, kann die Türdichtung aufgrund der niedrigeren Temperatur im Schrank hart werden und sich verziehen. 	<ul style="list-style-type: none"> Föhnen Sie dazu die verformte Stelle mit einem Fön mit heißer Luft, oder drücken Sie ein heißes Handtuch auf die verformte Stelle. Schließen Sie die Tür fest, wenn die Türdichtung weich ist.
Läuft der Kompressor lange Zeit?	<ul style="list-style-type: none"> Ist die Tür des Schranks nicht geschlossen oder zu oft geöffnet worden? Es wurden zu viele neue Flaschen auf einmal eingelegt. Ist die Temperatur des Schranks zu niedrig eingestellt? 	<ul style="list-style-type: none"> Türe fest schließen oder weniger häufig öffnen. Nicht zu viele Flaschen auf einmal einlegen und zwischen der Einlagerung von neuen eine Pause machen. Die Temperatur des Weintemperierschranks kann entsprechend angepasst werden.

Problem	Mögliche Ursache	Mögliche Behebung
Der Weintemperierschrank macht ein klickendes Geräusch?	<ul style="list-style-type: none"> • Aufgrund von Temperaturschwankungen kommt es bei verschiedenen Materialien zu einer thermischen Ausdehnung und Kontraktion. Während der Benutzung verursacht die Wirkung von Relais und anderen elektrischen Komponenten dieses Geräusch. 	<ul style="list-style-type: none"> • Dies ist ein normales Phänomen.
Der Weintemperierschrank kühlt nicht gut?	<ul style="list-style-type: none"> • Die Temperatur ist eventuell zu hoch eingestellt. • Der Weintemperierschrank ist direktem Sonnenlicht oder Wärmequellen in der Nähe ausgesetzt. • Im Weintemperierschrank befinden sich heiße oder warme Getränke. • Der Weintemperierschrank ist überfüllt. • Die Tür des Weintemperierschranks wurde zu häufig geöffnet oder geschlossen. 	<ul style="list-style-type: none"> • Tiefere Temperatur einstellen. • Vermeiden Sie direkte Sonneneinstrahlung und halten Sie den Weintemperierschrank von Wärmequellen fern. • Keine warmen oder heißen Getränke hineinstellen. • Nicht zu viele Flaschen auf einmal einlagern. • Tür fest schließen und nicht zu häufig öffnen.
Der Weintemperierschrank riecht komisch?	<ul style="list-style-type: none"> • Der neue Weintemperierschrank kann nach Isoliermittel oder Plastik riechen. 	<ul style="list-style-type: none"> • Dies ist ein normales Phänomen, das sich in der Folgezeit langsam verflüchtigen wird. • Überprüfen Sie den Schrank rechtzeitig auf verdorbene Getränke. • Geruchsintensive Getränke müssen fest in Plastiktüten verpackt sein. • Der Weintemperierschrank sollte regelmäßig gereinigt werden.
An der Tür des Weintemperierschranks befindet sich Kondenswasser?	<ul style="list-style-type: none"> • Die Tür wurde zu häufig oder zu lange geöffnet. • Die Temperatur ist eventuell zu niedrig eingestellt. • Hohe Umgebungstemperatur und Luftfeuchtigkeit. 	<ul style="list-style-type: none"> • Tür fest schließen und nicht zu häufig öffnen. • Die Temperatur im Schrank sollte nicht zu niedrig eingestellt werden. • Mit einem trockenen Tuch abwischen.
Das Licht ist nicht hell genug?	<ul style="list-style-type: none"> • Ist er an den Strom angeschlossen? • Ist die Lampe kaputt? 	<ul style="list-style-type: none"> • Stromversorgung prüfen. • Prüfen Sie die Glühbirne.

Um den technischen Kundendienst zu kontaktieren, besuchen Sie unsere Website:

<https://corporate.haier-europe.com/en/>

Wählen Sie im Abschnitt „Website“ die Marke Ihres Produkts und Ihr Land aus. Sie werden auf die entsprechende Website weitergeleitet, auf der Sie die Telefonnummer und das Formular zur Kontaktaufnahme mit dem technischen Kundendienst finden.

Produktdatenblatt gemäß EU-Nr. 2019/2016

Marche	Haier	Haier	Haier
Name/Modellkennung	HWS33GG	HWS31GGE	HWS33GGFR
Kapazität Flaschen	33	31	33
Haushaltskategorie	I	I	I
Energieeffizienzklasse	G	G	G
Jährlicher Energieverbrauch (kWh) ¹⁾	154	154	154
Speichervolumen (L)	93	93	93
Klimaklasse: Dieses Gerät ist für den Gebrauch bestimmt bei einer Umgebungstemperatur zwischen 16°C und 38°C	ST	ST	ST
Luftschallemission (db(A) re 1pW)	C(37)	C(37)	C(37)
Geratetyp	Freestanding	Freestanding	Freestanding
Dieses Gerät ist ausschließlich für den Gebrauch bestimmt zur Weinlagerung	Ja	Ja	Ja
Abmessungen (T/B/H in mm)	455/499/830	455/499/830	455/499/830

1) basierend auf Standard-Testergebnissen für 24 Stunden. Der tatsächliche Energieverbrauch hängt von der aktuellen Umgebung, der Anzahl an Flaschen, der eingestellten Temperatur, dem Öffnen und Schließen der Tür, usw. ab

2) Die Nennleistungsaufnahme ist der Wert, der gemäß der Standardprüfung ermittelt wird, wenn das Innenlicht und der Luftkreislauf des Weinklimaschranks nicht eingeschaltet sind.

- Subnormal: Dieses Kühlgerät ist für die Verwendung bei einer Umgebungstemperatur zwischen 10°C und 32°C ausgelegt.
- Normal: Dieses Kühlgerät ist für die Verwendung bei einer Umgebungstemperatur zwischen 16 °C und 32°C ausgelegt.
- Subtropisch: Dieses Kühlgerät ist für die Verwendung bei einer Umgebungstemperatur zwischen 16 °C und 38 °C ausgelegt.
- Tropisch: Dieses Kühlgerät ist für die Verwendung bei einer Umgebungstemperatur zwischen 16 °C und 43 °C ausgelegt. **CE**

Dieses Produkt erfüllt die Anforderungen aller geltenden EG-Richtlinien mit den

entsprechenden harmonisierten Normen, die eine CE-Kennzeichnung vorsehen.

Wir empfehlen unseren Haier Kundenservice und die Verwendung von Original-Ersatzteilen. Wenn Sie Probleme mit dem Gerät haben, lesen Sie bitte zuerst den Abschnitt „FEHLERBEHEBUNG“. Wenn Sie dort keine Lösung finden, wenden Sie sich bitte an

- ▶ Ihren Händler vor Ort oder
- ▶ den Abschnitt Service & Support unter www.haier.com, wo Sie Telefonnummern und FAQs finden und wo Sie den Service-Anspruch aktivieren können.

Um unseren Service zu kontaktieren, stellen Sie sicher, dass Sie die folgenden Daten zur Hand haben.

Die Informationen finden Sie auf dem Typenschild.

Modell _____ Seriennummer _____

Prüfen Sie im Garantiefall auch die mit dem Produkt mitgelieferte Garantiekarte.

Für allgemeine Geschäftsanfragen finden Sie unten unsere Adressen in Europa:

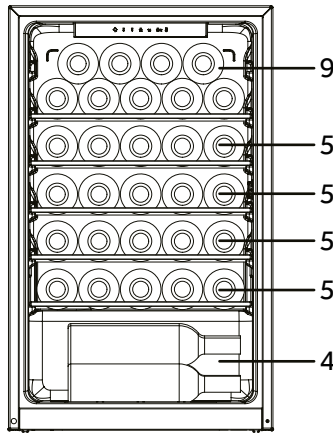
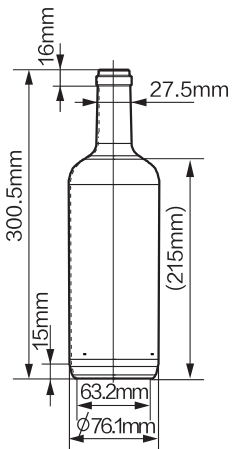
Haier-Standorte in Europa

Land*	Postanschrift	Land	Postanschrift
Italien	Haier Europe Trading SRL Via De Cristoforis, 12 21100 Varese ITALY	Frankreich	Haier Europe Trading SRL Via De Cristoforis, 12 21100 Varese ITALY
Spanien Portugal	Haier Iberia SL Pg. Garcia Faria, 49-51 08019 Barcelona SPAIN	Belgien-FR Belgien-NL Niederlande Luxemburg	Haier Benelux SA Anderlecht Route de Lennik 451 BELGIUM
Deutschland Österreich	Haier Deutschland GmbH Hewlett-Packard-Str. 4 D-61352 Bad Homburg GERMANY	Polen Tschechien Ungarn Griechenland	Haier Poland Sp. zo.o. Al. Jerozolimskie 181B 02-222 Warszawa POLAND
Vereinigtes Königreich	Haier Appliances UK Co. Ltd. One Crown Square Church Street East Woking, Surrey, GU21 6HR UK	Rumänien Russland	

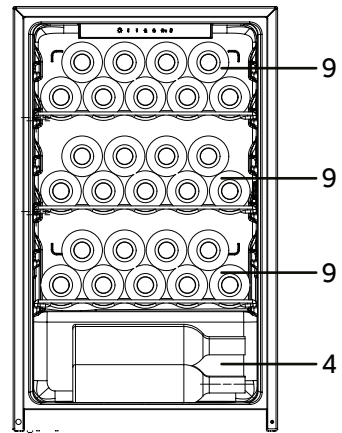
VERFÜGBARKEIT VON ERSATZTEILEN: Thermostate, Temperatursensoren, Leiterplatten und Leuchtmittel sind für einen Zeitraum von mindestens sieben Jahren nach Inverkehrbringen des letzten Gerätes des Modells erhältlich. Türgriffe, Türscharniere, Auszüge und Schubladen für eine Mindestdauer von sieben Jahren und Türdichtungen für eine Mindestdauer von 10 Jahren, nachdem das letzte Gerät des Modells in Verkehr gebracht wurde.

Mindestgarantie ist: 2 Jahre für EU-Länder, 3 Jahre für die Türkei, 1 Jahr für Großbritannien, 1 Jahr für Russland, 3 Jahre für Schweden, 2 Jahre für Serbien, 5 Jahre für Norwegen, 1 Jahr für Marokko, 6 Monate für Algerien, Tunesien keine gesetzliche Gewährleistung erforderlich.

Weitere Informationen zum Produkt finden Sie unter <https://eprel.ec.europa.eu/> oder scannen Sie den QR-Code auf dem mit dem Gerät gelieferten Energieetikett.



HWS33GG
HWS33GGFR
(33 bottle capacity)



HWS31GGE
(31 bottle capacity)



Manuel d'utilisation

Cave à vin

HWS33GG
HWS31GGE
HWS33GGFR

FR

Haier

Merci d'avoir choisi l'un de nos produits

Veillez lire attentivement ces instructions avant d'utiliser cet appareil. Les instructions contiennent des informations importantes qui vous aideront à tirer le meilleur parti de l'appareil et à assurer l'installation, l'utilisation et l'entretien sûrs et appropriés de celui-ci.

Conservez ce manuel dans un endroit pratique afin que vous puissiez toujours vous référer à celui-ci pour une utilisation sûre et appropriée de l'appareil.

Si vous vendez l'appareil, si vous le donnez ou si vous le laissez derrière vous lorsque vous déménagez, assurez-vous que vous transmettez également ce manuel pour que le nouveau propriétaire puisse se familiariser avec l'appareil et les consignes de sécurité.



Légende

Avertissement-Informations de sécurité importantes



Informations générales et conseils



Informations environnementales

Disposition



Contribuez à protéger l'environnement et la santé humaine. Jetez l'emballage dans les bacs correspondants pour le recycler. Aidez à recycler les déchets d'appareils électriques et électroniques. Ne jetez pas les appareils marqués de ce symbole avec les déchets ménagers. Ramenez le produit à votre déchetterie locale ou contactez votre bureau municipal.



AVERTISSEMENT !

Risque de blessure ou d'étouffement!

Les frigorigènes et les gaz doivent être éliminés professionnellement. Assurez-vous que le tube du circuit réfrigérant n'est pas endommagé avant d'être correctement éliminé. Débranchez l'appareil du secteur. Coupez le câble d'alimentation et jetez-le. Retirez les clayettes et les tiroirs ainsi que le verrou et les joints de la porte, afin d'éviter que les enfants et les animaux domestiques ne se retrouvent enfermés dans l'appareil.

Les anciens appareils ont encore une valeur résiduelle. Une méthode de mise au rebut respectueuse de l'environnement permettra de récupérer et de réutiliser les matières premières de valeur.

Le cyclopentane, une substance inflammable non toxique pour l'ozone, est utilisé pour former la mousse isolante.

En veillant à ce que ce produit soit éliminé correctement, vous éviterez les effets négatifs potentiels sur l'environnement et la santé humaine, qui pourraient sinon être causés.

Pour plus d'informations sur le recyclage de ce produit, veuillez contacter votre conseil local, votre service d'élimination des déchets ménagers ou le magasin où vous avez acheté le produit, manipulé par les professionnels.

1 - Informations sur la sécurité.....	4
2 - Conseils de sécurité.....	6
3 - Entretien.....	11
4 - Accessoires.....	12
5 - Description du produit.....	14
6 - Installation.....	15
7 - Utilisation.....	17
8 - Conseils d'économie d'énergie.....	18
9 - Matériel.....	19
10 - Entretien et nettoyage.....	20
11 - Dépannage.....	21
12 - Données techniques.....	25
13 - Service clientèle.....	26
14 - Empilage des bouteilles de vin.....	27

Cet appareil est destiné à être utilisé exclusivement pour la conservation du vin. Avant d'allumer l'appareil pour la première fois, lisez les conseils de sécurité suivants :



AVERTISSEMENT !

Avant la première utilisation

- ▶ Assurez-vous qu'il n'a pas été endommagé pendant le transport.
- ▶ Retirez tous les emballages et gardez-les hors de la portée des enfants, puis jetez-les d'une manière respectueuse de l'environnement.
- ▶ Attendez au moins deux heures avant d'installer l'appareil afin de vous assurer que le circuit réfrigérant fonctionne parfaitement.
- ▶ Manipulez toujours l'appareil avec au moins deux personnes parce qu'il est lourd.

Installation

- ▶ L'appareil doit être placé dans un endroit bien ventilé. Garantissez un espace d'au moins 10 cm au-dessus et autour de l'appareil.
- ▶ **AVERTISSEMENT** : Gardez les ouvertures de ventilation, dans le bâti de l'appareil ou dans la structure intégrée, exemptes d'obstruction.
- ▶ Ne placez jamais l'appareil dans un endroit humide ou un endroit où il pourrait être éclaboussé d'eau. Nettoyez et séchez les éclaboussures d'eau et les taches avec un chiffon doux et propre.
- ▶ N'installez pas votre cave à vin dans un endroit non isolé ou chauffé (p. ex. garage, etc.). Votre cave à vin n'a pas été conçue pour fonctionner à une température ambiante inférieure à 16 °C.
- ▶ N'installez pas l'appareil en plein soleil ou à proximité de sources de chaleur (par ex. cuisinières, chauffages).
- ▶ Installez et mettez à niveau l'appareil dans une zone adaptée à sa taille et à son utilisation.
- ▶ Assurez-vous que les informations électriques figurant sur la plaque signalétique sont conformes à l'alimentation électrique. Si ce n'est pas le cas, contactez un électricien.

**AVERTISSEMENT !**

- ▶ L'appareil fonctionne avec une alimentation de 220-240 V/50 Hz. Les variations anormales de tension peuvent provoquer l'arrêt de l'appareil ou endommager le régulateur de température ou le compresseur, ou il peut y avoir un bruit anormal lors du fonctionnement. Dans ce cas, un régulateur automatique doit être monté.
- ▶ N'utilisez pas d'adaptateurs multiprises ni de rallonges.
- ▶ AVERTISSEMENT : Ne placez pas plusieurs prises portatives ou alimentations portatives à l'arrière de l'appareil.
- ▶ AVERTISSEMENT : Lors du positionnement de l'appareil, vérifiez que le cordon d'alimentation n'est pas coincé ou abîmé.
- ▶ Ne marchez pas sur le câble d'alimentation.
- ▶ Utilisez une prise de terre séparée pour l'alimentation électrique qui est facile d'accès. L'appareil doit être mis à la terre.
- ▶ Uniquement pour le Royaume-Uni : fiche (de mise à la terre) qui s'adapte à une prise standard 3 pôles (de mise à la terre). Ne coupez jamais ou ne démontez jamais la troisième broche (mise à la terre). Une fois l'appareil installé, la fiche doit être accessible.
- ▶ AVERTISSEMENT : N'endommagez pas le circuit réfrigérant.

Utilisation quotidienne

- ▶ Cet appareil peut être utilisé par les enfants de plus de 8 ans et les personnes ayant des capacités physiques, sensorielles ou mentales réduites ou un manque d'expérience et de connaissances, s'ils ont été supervisés ou si on leur a appris à utiliser l'appareil en toute sécurité et qu'ils comprennent les risques courus.
- ▶ Les enfants ne doivent pas jouer avec l'appareil.
- ▶ Les enfants âgés de 3 à 8 ans sont autorisés à remplir et vider les appareils de réfrigération, mais ne sont pas autorisés à nettoyer et à installer les appareils de réfrigération.
- ▶ Gardez les enfants âgés de moins de 3 ans à l'écart de l'appareil à moins qu'ils ne soient constamment surveillés.
- ▶ Le nettoyage et l'entretien ne doivent pas être effectués par des enfants sans surveillance.



AVERTISSEMENT !

- ▶ L'appareil doit être positionné de manière à ce que la fiche soit accessible.
- ▶ Si du gaz de ville ou tout autre gaz inflammable fuit à proximité de l'appareil, fermez la vanne du gaz qui fuit, ouvrez les portes et les fenêtres et ne débranchez pas le câble d'alimentation de l'appareil.
- ▶ Attendez au moins 7 minutes pour remettre le courant après l'avoir coupé.
- ▶ Ne soulevez pas l'appareil par ses poignées de porte.
- ▶ Notez que l'appareil est réglé pour fonctionner dans la plage ambiante spécifique entre 16 et 38 °C. L'appareil ne peut pas fonctionner correctement s'il est laissé pendant une longue période à une température supérieure ou inférieure à la plage indiquée.
- ▶ Ne placez pas d'objets instables (objets lourds, récipients remplis d'eau) sur le dessus de l'appareil, pour éviter les blessures corporelles causées par une chute ou un choc électrique causé par le contact avec de l'eau.
- ▶ Ouvrez et fermez la porte uniquement avec les poignées. L'écart entre la porte et la cave est très étroit. Ne mettez pas vos mains dans ces zones pour éviter de vous pincer les doigts. Ouvrez ou fermez les portes de l'appareil uniquement lorsqu'il n'y a pas d'enfants dans le rayon de mouvement de la porte.
- ▶ Ne conservez pas et n'utilisez pas de matières corrosives, explosives ou inflammables dans l'appareil ou à proximité.
- ▶ Ne rangez pas des substances explosives comme des bombes d'aérosol contenant un combustible inflammable dans cet appareil.
- ▶ Ne conservez pas de médicaments, de bactéries ou d'agents chimiques dans l'appareil. Cet appareil est un appareil électroménager, il n'est pas recommandé de stocker des produits qui nécessitent des températures strictes.
- ▶ Ne réglez pas une température inutilement basse dans le compartiment de la cave à vin. Des températures inférieures peuvent se produire à des réglages élevés. Attention : Les bouteilles peuvent éclater.



AVERTISSEMENT !

- ▶ Ne touchez pas la surface intérieure du compartiment de l'appareil lorsqu'il est en fonctionnement, en particulier avec les mains mouillées, car vos mains peuvent geler sur la surface.
- ▶ Pour un refroidissement correct du vin, ne surchargez pas l'appareil.
- ▶ Débranchez l'appareil en cas de coupure de courant ou avant de le nettoyer. Attendez au moins 7 minutes avant de redémarrer l'appareil, car le démarrage fréquent risque d'endommager le compresseur.
- ▶ **AVERTISSEMENT :** N'utilisez pas d'appareils électriques à l'intérieur de l'électroménager, à moins qu'ils ne soient du type recommandé par le fabricant. Pour éviter tout risque, un câble d'alimentation endommagé doit être remplacé par le service à la clientèle (voir carte de garantie).
- ▶ Pour prolonger la durée de vie de l'appareil, évitez de l'éteindre.
- ▶ Ne placez jamais l'appareil à l'horizontale sur le sol. Après avoir incliné l'appareil de plus de 45°, attendez 30 minutes avant de le brancher.

Entretien / nettoyage

- ▶ Veillez à superviser les enfants s'ils effectuent le nettoyage et l'entretien.
- ▶ Débranchez l'appareil du secteur avant d'effectuer tout entretien courant. Attendez au moins 7 minutes avant de redémarrer l'appareil, car le démarrage fréquent risque d'endommager le compresseur.
- ▶ Tenez la fiche, pas le câble, lorsque vous débranchez l'appareil.
- ▶ Ne nettoyez pas l'appareil à l'aide de brosses dures, de brosses métalliques, de détergents en poudre, d'essence, d'acétate d'amyle, d'acétone et de solutions organiques similaires, d'acides ou de solutions alcalines. Nettoyez-le avec un détergent spécial pour réfrigérateur/congélateur afin d'éviter de l'endommager. Enfin, utilisez de l'eau tiède et une solution de bicarbonate de soude : environ une cuillère à soupe de bicarbonate de soude pour un litre/quart d'eau. Rincez abondamment à l'eau et essuyez. N'utilisez pas de poudres de nettoyage ou d'autres nettoyants abrasifs. Ne lavez pas les pièces amovibles au lave-vaisselle.

- ▶ **AVERTISSEMENT** : N'utilisez pas des dispositifs mécaniques ou d'autres moyens pour accélérer le processus de dégivrage, hormis ceux recommandés par le fabricant.
- ▶ Si le cordon d'alimentation est endommagé, faites-le remplacer par le fabricant, le service après-vente ou un électricien qualifié pour éviter tout risque d'accident.
- ▶ N'essayez pas de réparer, démonter ou modifier l'appareil vous-même. En cas de réparation, veuillez contacter notre service clientèle.
- ▶ Si les lampes d'éclairage sont endommagées, elles doivent être remplacées par le fabricant, son service de maintenance ou des personnes de qualification similaire afin d'éviter tout danger.
- ▶ Éliminez la poussière à l'arrière de l'appareil au moins une fois par an pour éviter tout risque d'incendie, ainsi que l'augmentation de la consommation d'énergie.
- ▶ Ne pulvérisez pas et ne rincez pas l'appareil pendant le nettoyage.
- ▶ N'utilisez pas de jet d'eau ou de vapeur pour nettoyer l'appareil.
- ▶ Ne nettoyez pas la porte froide en verre à l'eau chaude. Un changement soudain de température peut casser le verre.
- ▶ Si vous laissez votre appareil hors d'usage pendant une période prolongée, laissez-le ouvert pour éviter que des odeurs désagréables se forment à l'intérieur.

Informations sur le gaz réfrigérant



AVERTISSEMENT !

L'appareil contient l'ISOBUTANE réfrigérant inflammable (R600a). Assurez-vous que le circuit du réfrigérant n'est pas endommagé pendant le transport ou l'installation. Les fuites de frigorigène peuvent provoquer des blessures oculaires ou s'enflammer. Si un dommage s'est produit, gardez les sources de feu ouvert à l'écart, aérez complètement la pièce, ne branchez pas ou ne débranchez pas les cordons d'alimentation de l'appareil ou de tout autre appareil. Informez le service à la clientèle.

En cas de contact du réfrigérant avec les yeux, rincez-les immédiatement à l'eau courante et appelez immédiatement un oculiste.

AVERTISSEMENT : Le système de réfrigération est sous haute pression. Ne le modifiez pas. Étant donné que des réfrigérants inflammables sont utilisés, veuillez installer, manipuler et entretenir l'appareil en suivant strictement les instructions et contactez l'agent professionnel ou notre service après-vente pour mettre l'appareil au rebut.

Utilisation prévue

Cet appareil est conçu pour être utilisé dans une habitation et pour des applications similaires telles que


- coins-cuisine du personnel dans des magasins, bureaux et autres environnements de travail ;
 - habitations rurales et par des clients dans des hôtels, motels et autres environnements de type résidentiel ;
 - environnements de type chambres d'hôtes ou B&B ;
 - restauration et applications similaires non dédiées à la vente au détail.
- Pour assurer une conservation sûre du vin, veuillez respecter cette notice d'utilisation.

- Les détails de la partie la plus appropriée dans le compartiment de l'appareil où des types spécifiques d'aliments doivent être stockés, compte tenu de la répartition de la température pouvant être présente dans les différents compartiments de l'appareil, se trouvent dans l'autre partie du manuel.

Les changements ou modifications apportés à l'appareil ne sont pas autorisés. Une utilisation non prévue peut entraîner des risques et la perte de garantie.

Disposition



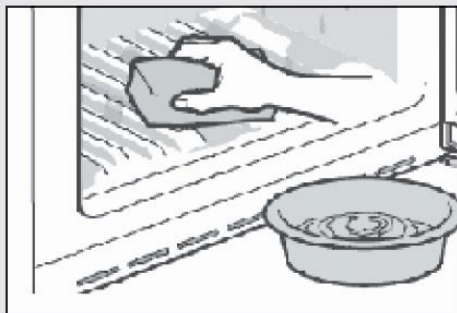
Le symbole  figurant sur le produit ou sur son emballage indique qu'il ne doit pas être traité comme des ordures ménagères. Vous devez l'apporter à un centre de tri pour le recyclage des produits électriques et électroniques. En éliminant correctement cet appareil, vous évitez toutes les conséquences négatives pour l'environnement et la santé humaine, susceptibles de se présenter si cet appareil n'est pas éliminé correctement. Pour plus d'informations sur le recyclage de ce produit, veuillez contacter votre mairie, votre service de collecte des ordures ménagères ou le magasin où vous avez acheté le produit. Étant donné que des gaz de soufflage d'isolation inflammables sont utilisés, veuillez contacter l'agent professionnel ou notre service après-vente pour la mise au rebut de l'appareil.

AVERTISSEMENT !

Risque de blessures ou d'étouffement !

Les frigorigènes et les gaz doivent être éliminés professionnellement. Assurez-vous que le tube du circuit réfrigérant n'est pas endommagé avant d'être correctement éliminé. Débranchez l'appareil du secteur. Coupez le câble d'alimentation et jetez-le. Retirez les clayettes et les tiroirs ainsi que le verrou et les joints de la porte afin d'éviter que les enfants et les animaux domestiques ne se retrouvent enfermés dans l'appareil.

- ▶ **AVERTISSEMENT** : Débranchez l'appareil de l'alimentation électrique avant de le nettoyer.
- ▶ Ne nettoyez pas l'appareil à l'aide de brosses dures, de brosses métalliques, de détergents en poudre, d'essence, d'acétate d'amyle, d'acétone et de solutions organiques similaires, d'acides ou de solutions alcalines. Nettoyez-le avec un détergent spécial pour réfrigérateur afin d'éviter de l'endommager.
- ▶ Nettoyez l'appareil lorsqu'il n'y a qu'un peu de vin ou qu'il n'y a pas de vin stocké à l'intérieur. Il ne faut le nettoyer que quand il est sale.
- ▶ Nettoyez l'intérieur et le bâti de l'appareil à l'aide d'une éponge imbibée d'eau tiède et de détergent neutre.
- ▶ Rincez à l'eau tiède propre et séchez à l'aide d'un chiffon sec.
- ▶ Ne nettoyez aucune des parties de l'appareil au lave-vaisselle.
- ▶ Attendez au moins 7 minutes avant de redémarrer l'appareil, car le démarrage fréquent risque d'endommager le compresseur.



Nettoyer le joint de porte : :

- ▶ Les joints de porte doivent être nettoyés pour assurer une bonne étanchéité. Comme suit : Retirez-le : Saisissez le joint de la porte et tirez-le selon le sens de la flèche pour enlever tout le joint de la porte dans l'ordre. Trempez la brosse dans de l'eau ou de l'alcool alimentaire, nettoyez d'abord la rainure du joint de la porte en tirant vers passant la brosse de l'arrière vers l'avant. Essuyez ensuite la surface du joint de la porte avec un torchon imbibé d'eau ou d'alcool alimentaire. Enfin, lavez le joint de la porte et essuyez-le avec un torchon propre.



Pose du joint de porte après nettoyage:

Avant de le monter, assurez-vous qu'il n'y a pas d'eau sur le joint de la porte. Insérez le joint de la porte dans la rainure et appuyez fermement sur le joint de la porte de haut en bas à la main jusqu'à ce que tout le joint de la porte soit inséré dans la rainure.

Nettoyer les étagères:

Toutes les clayettes peuvent être retirées pour le nettoyage.

Sortez toutes les bouteilles.

Soulevez chaque clayette un peu et retirez-la.

Nettoyez la clayette à l'aide d'un torchon doux.

Attendez que les clayettes soient sèches avant de les remettre en place.

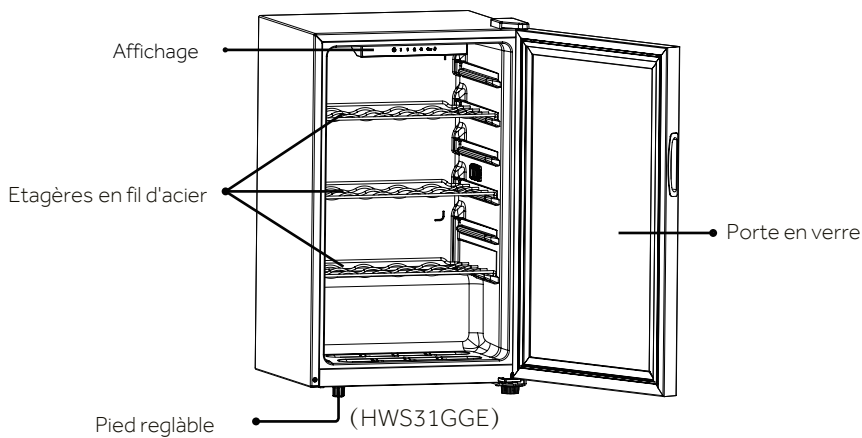
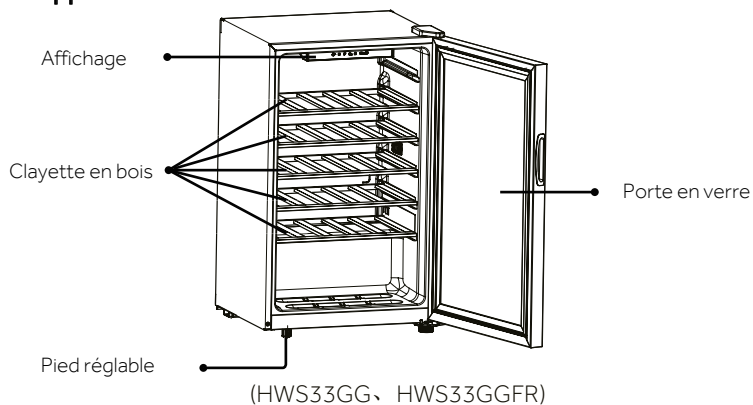
Vérifiez les accessoires et la littérature conformément à cette liste : sans isolation.

Quantité / Nom	Mode d'emploi	Trousse d'information	Etagères à vin en bois	Etagères en fil d'acier
Modele du produit				
HWS33GG	1	1	5	0
HWS31GGE	1	1	0	3
HWS33GGFR	1	1	5	0

Remaue

En raison des changements techniques et de différents modèles, certaines des illustrations de ce manuel peuvent différer de votre modèle.

Image de l'appareil



Ce produit contient une source de lumière appartenant à la classe d'efficacité énergétique G.

1. D  ballage

- Sortez l'appareil de l'emballage.
- Retirez tous les mat  riaux d'emballage, y compris la base en mousse et tout le ruban adh  sif qui retient les accessoires.

2. Conditions Environnementales

La temp  rature ambiante doit toujours   tre comprise entre 16   C et 38   C, car elle peut influencer sur la temp  rature    l'int  rieur de l'appareil et sa consommation d'  nergie. N'installez pas l'appareil    proximit   d'autres appareils g  n  rant de la chaleur (fours, r  frig  rateurs) sans isolation.

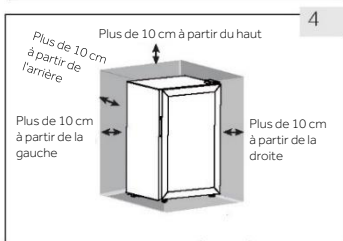
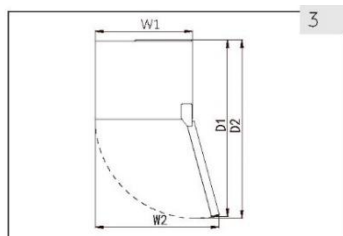
3. Espace requis

Espace n  cessaire pour ouvrir la porte (Fig. 3) :

Largeur en mm		Profondeur en mm	
W1	W2	D1	D2
499	633	905	919

4. Espaces d'a  ration

Pour des raisons   nerg  tiques et de s  curit  , la distance de ventilation requise de 10 cm dans toutes les directions doit   tre respect  e (Fig. 4).



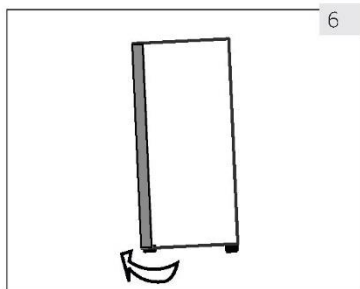
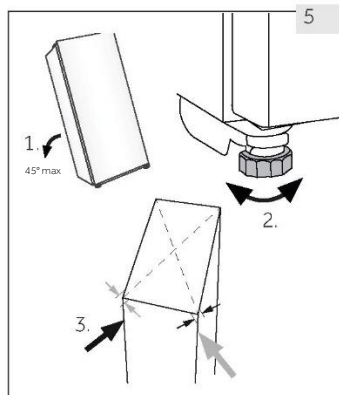
AVERTISSEMENT !

- Maintenez les ouvertures de ventilation situ  es dans l'appareil ou dans la structure encastr  e libres de toute obstruction. Cet appareil de r  frig  ration n'est pas destin        tre utilis   comme un appareil encastr  .

5. Alignement de l'appareil

L'appareil doit être placé sur une surface plane et solide.

1. Inclinez légèrement l'appareil vers l'arrière (Fig. 5).
2. Réglez les pieds avant réglables au niveau souhaité en les tournant.
3. La stabilité peut être vérifiée en alternant les diagonales. Le léger flottement doit être le même dans les deux directions. Dans le cas contraire, le cadre peut se déformer; cela se traduit par des fuites au niveau des joints de la porte. Une faible tendance vers l'arrière facilite la fermeture de la porte.

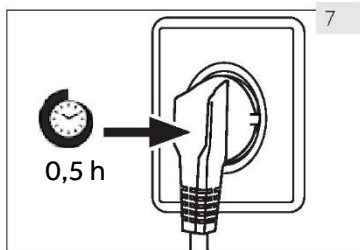


6. Règlage fin de la porte

L'appareil se ferme plus facilement si les pieds de nivellement sur le devant sont utilisés :

Tournez les pieds réglables (Fig. 6) pour les monter ou les baisser :

- ▶ La rotation des pieds dans le sens des aiguilles d'une montre soulève l'appareil.
- ▶ Tournez les pieds dans le sens contraire des aiguilles d'une montre pour baisser l'appareil.



7. Temps d'attente

L'huile de lubrification sans entretien se trouve dans la capsule du compresseur. Cette huile peut passer par le système fermé de tuyauterie pendant le transport si l'appareil est incliné. Avant de brancher l'appareil sur l'alimentation électrique, attendez 0,5 heures (Fig. 7) afin que l'huile revienne dans la capsule.

8. Connexion électrique

Avant chaque connexion, vérifiez si:

- ▶ l'alimentation, la prise et le fusible sont adaptés à la plaque signalétique.
- ▶ la prise de courant est mise à la terre et sans multiprise ni rallonge.
- ▶ la fiche d'alimentation et la prise sont adaptées l'une à l'autre.

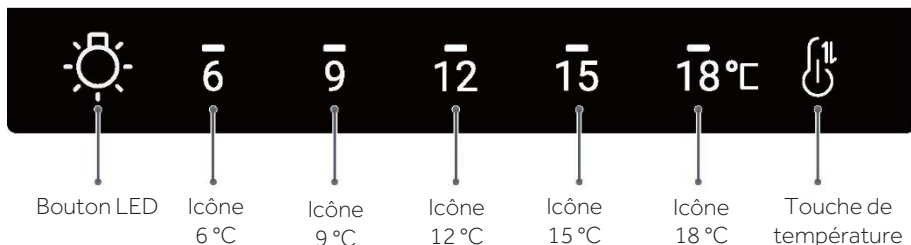
Branchez la fiche sur une prise domestique correctement installée.



AVERTISSEMENT !

Pour éviter tout risque, un câble d'alimentation endommagé doit être remplacé par le service à la clientèle (voir carte de garantie).

Panneau de commande



La plage de température de l'afficheur est de 6-18 °C

La température de réglage par défaut est de 12 °C

Vous pouvez régler la température en fonction de vos besoins en matière de stockage du vin.

1. Ajustements de température

Appuyez sur le bouton « Température » pour allumer l'icône supérieure du niveau de température actuel. Appuyez à nouveau sur le bouton « Température » et réglez la température un niveau à la fois sur 5 niveaux au total. Lorsque la température atteint 18 °C, si vous continuez à régler, elle revient à 6 °C, le cycle fait un tour. Lorsque la température souhaitée est sélectionnée et que l'opération est arrêtée pendant 5 secondes, le système conserve automatiquement les paramètres de réglage actuels.

2. Lumière intérieure

Appuyez une fois sur le bouton « Éclairage », la lumière s'allume. Appuyez à nouveau sur le bouton « Éclairage » et les lumières s'éteignent, car le cycle a fait un tour.

3. Fonction de mise hors tension de la mémoire

Le réglage de la température de la cave sera mémorisé. Après branchement, elle revient au réglage de préalimentation.



Conseils d'économie d'énergie

- ▶ Assurez-vous que l'appareil est bien ventilé (voir INSTALLATION).
- ▶ N'installez pas l'appareil en plein soleil ou à proximité de sources de chaleur (par ex. cuisinières, chauffages).
- ▶ Évitez une température inutilement basse dans l'appareil. Plus vous réglez bas la température de l'appareil, plus la consommation d'énergie augmente.
- ▶ Ouvrez la porte de l'appareil le moins souvent et le plus rapidement possible.
- ▶ Ne dépassez pas la quantité prévue de bouteilles pour éviter de bloquer la circulation de l'air.
- ▶ Gardez les joints de la porte propres afin que la porte se ferme toujours correctement.
- ▶ La configuration la plus économe en énergie nécessite que les clayettes soient positionnées dans l'appareil dans les conditions d'usine, et que les bouteilles soient placées sans bloquer la sortie d'air du conduit.

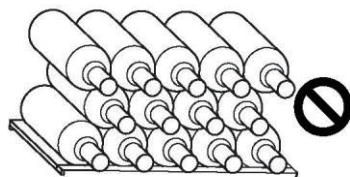
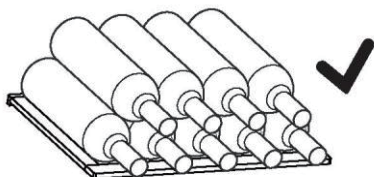
1. Clee

1. Les clayettes sont conçues pour faciliter le stockage et faciliter le retrait du vin. Elles peuvent être nettoyées avec un torchon doux.
2. Les bouteilles normales d'un diamètre de 76 mm peuvent être empilées.
3. Les bouteilles Magnum peuvent être empilées en bas.
4. La quantité de bouteilles peut varier du nombre de bouteilles représentées si elles sont empilées d'une manière différente.



Précautions d'utilisation de la cave à vin

Ne placez pas trop de vin dans la cave afin de ne pas dépasser la capacité des clayettes à vin. Ne placez pas plus de trois couches de vin sur chaque clayette. Le nombre de bouteilles de vin ne doit pas dépasser trois couches sur chaque clayette, ou la capacité de charge des clayettes de vin ne doit pas dépasser 15 kg.

Avant de placer les bouteilles à l'intérieur de la cave à vin, vérifiez si les clayettes sont complètement stables ou non. En outre, vérifiez si une bouteille dépasse ou non des clayettes afin d'éviter que des bouteilles ne cognent contre la porte vitrée lors de la fermeture.



2. La lumière

Lorsque la porte est ouverte, appuyez sur la touche d'éclairage  allumez la lumière, appuyez à nouveau sur  éteignez la lumière.

3. Dégivrage automatique

Cet appareil dispose d'une fonction de dégivrage automatique. Pendant l'utilisation, assurez-vous que l'orifice d'évacuation est dégagé de manière à forcer l'eau de dégivrage à s'écouler en douceur à travers celui-ci et dans le réservoir d'eau à l'intérieur de la cave.

Nettoyez régulièrement les réservoirs d'eau au fond des compartiments. Utilisez un chiffon sec pour absorber l'eau à l'intérieur des réservoirs d'eau et essuyez-les (nettoyez-les tous les trois mois comme suggéré).

1. Décongélation

Le dégivrage de la cave à vin se fait automatiquement ; aucune opération manuelle n'est nécessaire.

2. Remplacement de la lampe LED

La lampe utilise la LED comme source de lumière, avec une faible consommation d'énergie et une longue durée de vie. En cas d'anomalie, veuillez contacter le service clientèle. Reportez-vous au paragraphe SERVICE CLIENTÈLE.

AVERTISSEMENT !



Ne remplacez pas la lampe LED vous-même. Elle ne doit être remplacée que par le fabricant ou l'agent de maintenance agréé.

Parameters de la lampe Led:

Tension 12 V ; puissance max : 2W

3. Non-utilisation pendant une longue période

Débranchez le cordon d'alimentation.

Nettoyez l'appareil et les joints de la porte comme cela est décrit ci-dessus.

Gardez la porte ouverte pour éviter la formation de mauvaises odeurs à l'intérieur.

4. Déplacement de l'appareil

1. Retirez toutes les bouteilles et débranchez l'appareil.
2. Fixez les clayettes et les autres parties mobiles dans la cave à vin avec du ruban adhésif.
3. N'inclinez pas la cave à vin à plus de 45° pour éviter d'endommager le système de réfrigération.

Vous pouvez résoudre de nombreux problèmes vous-même sans expertise spécifique. En cas de problème, veuillez vérifier toutes les possibilités indiquées et suivre les instructions ci-dessous avant de contacter un service après-vente. Reportez-vous au paragraphe SERVICE CLIENTÈLE.



AVERTISSEMENT !

- ▶ Avant l'entretien, désactivez l'appareil et débranchez la fiche secteur de la prise secteur.
- ▶ L'équipement électrique ne doit être entretenu que par des experts électriques qualifiés, car des réparations inappropriées peuvent causer des dommages consécutifs considérables.
- ▶ Une alimentation endommagée ne devrait être remplacée que par le fabricant, son agent de maintenance ou des personnes avec une qualification similaire de manière à éviter tout danger.

Code d'erreur	Cause	Solution
L'icône "9" clignote	Défaillance du capteur de réfrigération.	Appelez le service après-vente.
L'icône "12" clignote	Alarme cryogénique du capteur de réfrigération.	Appelez le service après-vente.

Problème	Cause possible	Solution possible
Givre à l'arrière de la poche intérieure ?	<ul style="list-style-type: none"> Les tuyaux de réfrigération sont placés à l'arrière du revêtement intérieur de la cave à vin. 	<ul style="list-style-type: none"> C'est un phénomène normal. La cave gèle automatiquement sans affecter l'utilisation normale.
Trop de bruit ?	<ul style="list-style-type: none"> Emplacement instable. 	<ul style="list-style-type: none"> Ajustez le pied inférieur réglable pour maintenir la cave stable. Assurez-vous que la cave ne touche pas d'autres objets ou parois.
Bruit de liquide s'écoulant dans la cave ?	<ul style="list-style-type: none"> C'est le bruit du flux de réfrigérant dans le tuyau de circulation du système de réfrigération. 	<ul style="list-style-type: none"> C'est un phénomène normal.
La cave à vin ne fonctionne pas ?	<ul style="list-style-type: none"> Raccordement entre la fiche de la cave à vin et la prise électrique. Mode de protection du compresseur. 	<ul style="list-style-type: none"> Assurez-vous que la fiche de la cave à vin est correctement connectée à la prise électrique, que la prise fonctionne, que les fusibles fonctionnent à la maison. Le compresseur dispose d'un mode de protection avec un intervalle de 7 minutes.
Pourquoi y a-t-il de légères nervures des deux côtés du caisson ?	<ul style="list-style-type: none"> C'est un phénomène d'expansion et de contraction causé par la chaleur. 	<ul style="list-style-type: none"> C'est un phénomène normal. L'objectif est d'assurer une bonne dissipation de la chaleur et une grande efficacité de fonctionnement de la cave à vin.
Corps de porte mal fermé, fuite d'air ?	<ul style="list-style-type: none"> Après utilisation du produit pendant une certaine période, le joint de porte peut être dur et déformé en raison de la température plus basse dans la cave. 	<ul style="list-style-type: none"> Appliquez la chaleur d'un sèche-cheveux sur la zone déformée ou recouvrez la zone déformée d'une serviette chaude. Fermez correctement la porte lorsque le joint de la porte est souple.
Le compresseur continue de fonctionner longtemps ?	<ul style="list-style-type: none"> La porte de la cave est fermée ou ouverte trop souvent ? Trop de bouteilles placées dans la cave à la fois. Le réglage de la cave est-il trop faible ? 	<ul style="list-style-type: none"> Fermez correctement la porte ou réduisez le nombre d'ouvertures. Ne mettez pas trop de bouteilles à la fois et laissez un espace entre celles-ci. Le réglage de la cave peut être adapté.

Problème	Cause possible	Solution possible
Quand la cave à vin fonctionne, elle produit un « clic ».	<ul style="list-style-type: none"> En raison des changements de température, divers matériaux bougent en raison de la dilatation et de la contraction thermiques. Pendant l'utilisation, l'action du relais et d'autres composants électriques provoque du bruit. 	<ul style="list-style-type: none"> C'est un phénomène normal.
La cave à vin ne refroidit pas correctement ?	<ul style="list-style-type: none"> Si le réglage de la température est trop élevé. Exposition à la lumière directe du soleil ou à des sources de chaleur à proximité. Il y a des bouteilles chaudes dans la cave à vin. Les bouteilles de la cave à vin sont trop nombreuses. Si la porte de la cave à vin est souvent ouverte ou fermée. 	<ul style="list-style-type: none"> Abaissez la température de réglage. Évitez la lumière directe du soleil et maintenez la cave à l'écart des sources de chaleur. Les bouteilles ne doivent pas être surchauffées. Les bouteilles ne doivent pas être trop nombreuses. Fermez correctement la porte ou réduisez le nombre d'ouvertures.
Y a-t-il une odeur particulière dans la cave à vin ?	<ul style="list-style-type: none"> La cave à vin nouvellement achetée sent le plastique ou les agents moussants. 	<ul style="list-style-type: none"> Il s'agit d'un phénomène normal et l'odeur se volatilise lentement. Veillez vérifier que la cave ne contient pas des bouteilles détériorées par le temps. Les bouteilles odorantes doivent être bien enveloppées dans des sacs en plastique. La cave à vin doit être nettoyée régulièrement.
Y a-t-il de la condensation sur la porte de la cave à vin ?	<ul style="list-style-type: none"> Si la porte est ouverte trop fréquemment ou pendant une longue période. Si le réglage de température dans la cave est trop bas. Température ambiante et humidité élevées. 	<ul style="list-style-type: none"> Fermez correctement la porte ou réduisez le nombre d'ouvertures. La température de la cave ne doit pas être réglée trop basse. Séchez-la avec un chiffon sec.
La lumière n'est pas assez puissante ?	<ul style="list-style-type: none"> Si l'alimentation n'est pas branchée Si la lampe est endommagée 	<ul style="list-style-type: none"> Vérifiez l'alimentation électrique. Lampe de vérification.

Pour contacter l'assistance technique, rendez-vous sur notre site :

<https://corporate.haier-europe.com/en/>

Dans la rubrique « site web », choisissez la marque de votre produit et votre pays. Vous serez redirigé vers le site web spécifique où vous trouverez le numéro de téléphone et le formulaire pour contacter l'assistance technique.

Fiche de produit selon la réglementation UE n° 2019/2016

Marque	Haier	Haier	Haier
Nom/Identifiant du modèle	HWS33GG	HWS31GGE	HWS33GGFR
Capacité nominale en bouteilles	33	31	33
Catégorie de réfrigération domestique	I	I	I
Classe d'efficacité énergétique	G	G	G
Consommation d'énergie annuelle(kWh/an)	154	154	154
Volume de Stockage(L)	93	93	93
Classe climatique:Cet appareil est destiné à être utilisé à une température ambiante comprise entre 16°C at 38°C	ST	ST	ST
Emissions acoustiques dans l'air (db(A) re 1p W)	C(37)	C(37)	C(37)
Type d'appareil	Freestanding	Freestanding	Freestanding
Cet appareil est destiné à être utilisé exclusivement pour le stockage du vin	Oui	Oui	Oui
Dimension(P/L/H en mm)	455/499/830	455/499/830	455/499/830

1) D'après les résultats des tests standard pendant 24 heures. La consommation réelle dépend de l'environnement réel, de la quantité de bouteilles, de la température réglée, de l'ouverture et de la fermeture de la porte, etc.

2) La consommation d'énergie nominale est la valeur obtenue en fonction de l'essai standard lorsque la cave à vin n'active pas la lumière à l'intérieur et le cycle d'air.

- tempérée prolongée : « cet appareil de réfrigération est destiné à être utilisé à des températures ambiantes allant de 10 °C à 32 °C » ;
- tempérée : « cet appareil de réfrigération est destiné à être utilisé à des températures ambiantes allant de 16 °C à 32 °C » ;
- subtropicale : « cet appareil de réfrigération est destiné à être utilisé à des températures ambiantes allant de 16 °C à 38 °C » ;
- tropicale : « cet appareil de réfrigération est destiné à être utilisé à des températures ambiantes allant de 16 °C à 43 °C » ;

Normes et directives

Ce produit satisfait aux exigences de toutes les directives CE applicables avec les normes harmonisées correspondantes, qui prévoient le marquage CE.

Nous recommandons notre Service Clientèle Haier et l'utilisation de pièces détachées d'origine.

Si vous rencontrez un problème avec votre appareil, veuillez d'abord consulter le paragraphe DÉPANNAGE. Si vous ne trouvez pas de solution, veuillez contacter

- ▶ votre revendeur local ou
- ▶ l'espace Service & Assistance sur le site www.haier.com où vous pouvez trouver les numéros de téléphone et les FAQ et où vous pouvez activer la demande de service.

Pour contacter notre Service, assurez-vous que vous disposez des données suivantes. Les informations se trouvent sur la plaque signalétique.

Modèle _____ N° de série _____

Vérifiez également la carte de garantie fournie avec le produit en cas de garantie.

Pour toute question commerciale générale, veuillez trouver nos adresses en Europe ci-dessous :

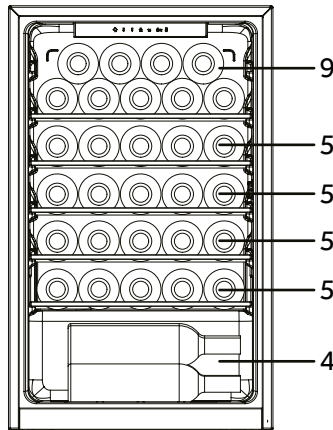
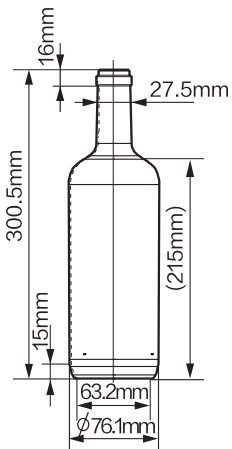
Adresses de Haier en Europe

Pays*	Adresse postale	Pays	Adresse postale
Italie	Haier Europe Trading SRL Via De Cristoforis, 12 21100 Varese ITALY	France	Haier Europe Trading SRL Via De Cristoforis, 12 21100 Varese ITALY
Espagne Portugal	Haier Iberia SL Pg. Garcia Faria, 49-51 08019 Barcelone SPAIN	Belgique-FR Belgique-NL Pays-Bas Luxembourg	Haier Benelux SA Anderlecht Route de Lennik 451 BELGIUM
Allemagne Autriche	Haier Deutschland GmbH Hewlett-Packard-Str. 4 D-61352 Bad Homburg GERMANY	Pologne Tchéquie Hongrie Grèce	Haier Pologne Sp. zo.o. Al. Jerozolimskie 181B 02-222 Warszawa POLAND
Royaume-Uni	Haier Appliances UK Co. Ltd. One Crown Square Church Street East Woking, Surrey, GU21 6HR UK	Roumanie Russie	

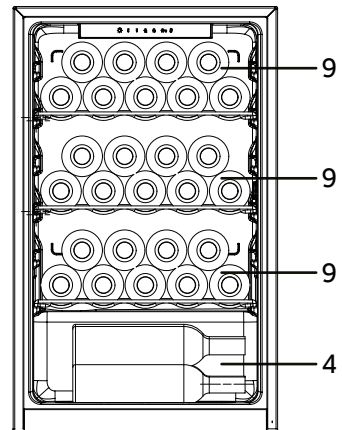
DISPONIBILITÉ DES PIÈCES DE RECHANGE : thermostats, les capteurs de température, les circuits imprimés et les sources de lumière sont disponibles pendant une période minimale de 7 ans après la mise sur le marché de la dernière unité du modèle. Poignées de porte, charnières de porte, bacs et paniers pendant une période minimale de 7 ans et joints de porte pendant une période minimale de 10 ans, après la mise sur le marché de la dernière unité du modèle.

La garantie minimale est: 2 ans pour les pays de l'UE, 3 ans pour la Turquie, 1 an pour le Royaume-Uni, 1 an pour la Russie, 3 ans pour la Suède, 2 ans pour la Serbie, 5 ans pour la Norvège, 1 an pour le Maroc, 6 mois pour l'Algérie, aucune garantie légale pour la Tunisie.

Pour plus d'informations sur le produit, veuillez consulter <https://eprel.ec.europa.eu/ou> scanner le QR sur l'étiquette énergétique fournie avec l'appareil.



HWS33GG
HWS33GGFR
(33 bottle capacity)



HWS31GGE
(31 bottle capacity)



Manuale d'uso

Cantina

HWS33GG
HWS31GGE
HWS33GGFR

IT

Haier

Grazie per aver acquistato un prodotto Haier.

Leggere attentamente queste istruzioni prima di utilizzare l'elettrodomestico. Le istruzioni contengono informazioni importanti per ottimizzare l'uso dell'elettrodomestico e garantire l'installazione, l'uso e la manutenzione sicuri e corretti.

Conservare il presente manuale in un luogo comodo, in modo da poterlo sempre consultare per un uso sicuro e corretto dell'elettrodomestico.

Se l'elettrodomestico viene venduto, ceduto o abbandonato in caso di trasloco, trasferire anche il presente manuale in modo che il nuovo proprietario possa comprendere l'uso dell'elettrodomestico e delle avvertenze di sicurezza.



Legenda

Avvertenza - Informazioni importanti per la sicurezza



Informazioni generali e consigli



Informazioni ambientali



Smaltimento

Contribuire a proteggere l'ambiente e la salute umana. Collocare l'imballo in appositi contenitori affinché venga riciclato. Contribuire al riciclo dei rifiuti delle apparecchiature elettriche ed elettroniche. Non smaltire gli elettrodomestici contrassegnati con questo simbolo assieme ai rifiuti domestici. Conferire il prodotto presso la struttura di riciclo locale o rivolgersi all'ufficio comunale preposto.



AVVERTENZA!

Pericolo di lesioni o soffocamento!

I refrigeranti e i gas devono essere smaltiti in maniera professionale. Accertarsi che la tubazione del circuito del refrigerante non sia danneggiata prima di smaltirla correttamente. Scollegare l'elettrodomestico dalla rete elettrica. Tagliare il cavo di alimentazione e smaltirlo. Rimuovere vassoi e cassette, fermaporte e guarnizioni, per evitare che bambini e animali domestici rimangano chiusi nell'elettrodomestico.

Gli elettrodomestici vecchi possono avere ancora un valore residuo. Un metodo ecologico per lo smaltimento garantisce il recupero e il riutilizzo delle materie prime utili.

Il ciclopentano, una sostanza infiammabile che non danneggia l'ozono, viene utilizzato come espansore per la schiuma isolante.

Garantendo il corretto smaltimento del prodotto, si contribuisce a prevenire conseguenze negative per l'ambiente e per la salute umana.

Per informazioni più dettagliate sul riciclo di questo prodotto, rivolgersi alla municipalità locale, all'azienda addetta allo smaltimento dei rifiuti domestici o al punto vendita dov'è stato acquistato.

1 - Informazioni per la sicurezza.....	4
2 - Consigli per la sicurezza	6
3 - Manutenzione.....	11
4 - Accessori	12
5 - Descrizione del prodotto	14
6 - Installazione.....	15
7 - Utilizzo	17
8 - Suggerimenti per il risparmio energetico.....	18
9 - Dotazioni	19
10 - Cura e pulizia.....	20
11 - Soluzione dei problemi	21
12 - Dati tecnici.....	25
13 - Assistenza clienti	26
14 - Impilaggio delle bottiglie di vino.....	27

Questo elettrodomestico deve essere utilizzato solo per la conservazione del vino. Prima di accendere l'elettrodomestico per la prima volta, leggere i seguenti consigli sulla sicurezza:



AVVERTENZA!

Operazioni preliminari al primo utilizzo

- ▶ Accertarsi dell'assenza di danni dovuti al trasporto.
- ▶ Rimuovere tutti gli imballi, tenerli fuori dalla portata dei bambini e smaltirli nel rispetto dell'ambiente.
- ▶ Per garantire la totale efficienza del circuito del refrigerante, attendere almeno due ore prima di installare l'elettrodomestico.
- ▶ L'elettrodomestico deve essere maneggiato sempre da almeno due persone perché è pesante.

Installazione

- ▶ Installare l'elettrodomestico in un luogo asciutto e ben ventilato. Lasciare uno spazio libero di almeno 10 cm sopra e attorno all'elettrodomestico.
- ▶ **AVVERTENZA:** le aperture di ventilazione nell'involucro dell'elettrodomestico o nella struttura a incasso devono rimanere sempre libere.
- ▶ Non collocare mai l'elettrodomestico in zone umide o soggette a schizzi d'acqua. Pulire e asciugare schizzi e macchie d'acqua con un panno morbido e pulito.
- ▶ Non installare la cantinetta in ambienti non adeguatamente isolati o riscaldati (ad es. in garage). La cantinetta non è stata progettata per funzionare a temperature ambiente inferiori a 16 °C.
- ▶ Non installare l'elettrodomestico esposto alla luce diretta del sole o in prossimità di fonti di calore (ad es. stufe o radiatori).
- ▶ Installare l'elettrodomestico a livello in un'area adatta alle dimensioni e all'uso.
- ▶ Accertarsi che i dati elettrici sulla targhetta siano conformi all'alimentazione elettrica. In caso contrario, rivolgersi a un elettricista.
- ▶ L'elettrodomestico funziona con corrente elettrica 220-240 Vca / 50 Hz. Oscillazioni anomale della tensione possono causare il mancato avvio dell'elettrodomestico, danni al controllo della temperatura o al compressore oppure rumori anomali durante il funzionamento. In tal caso, è opportuno montare un regolatore automatico.

**AVVERTENZA!**

- ▶ Non adoperare prese multiple o cavi di prolunga.
- ▶ **AVVERTENZA:** Non applicare prese multiple o alimentatori portatili sulla parte posteriore dell'elettrodomestico.
- ▶ **AVVERTENZA:** quando l'elettrodomestico viene collocato nella sede prescelta, accertarsi che il cavo di alimentazione non sia incastrato o danneggiato.
- ▶ Non calpestare il cavo di alimentazione.
- ▶ Per l'alimentazione elettrica utilizzare una presa separata collegata a terra e facilmente accessibile. L'elettrodomestico deve essere collegato a terra.
- ▶ Solo per il Regno Unito: (messa a terra) spina che si adatta a una presa standard a 3 fili (collegata a terra). Non tagliare né smontare mai il terzo conduttore (collegamento a terra). Dopo l'installazione dell'elettrodomestico, la spina deve essere accessibile.
- ▶ **AVVERTENZA:** non danneggiare il circuito di refrigerazione.

Utilizzo quotidiano

- ▶ Questo elettrodomestico può essere utilizzato da bambini di almeno 8 anni, da persone con ridotte capacità fisiche, sensoriali o mentali e da persone inesperte solo sotto stretta sorveglianza o se hanno appreso le modalità di utilizzo sicuro dell'elettrodomestico e sono consapevoli dei relativi pericoli.
- ▶ Impedire ai bambini di giocare con l'elettrodomestico.
- ▶ I bambini di età da 3 a 8 anni possono riempire e svuotare gli elettrodomestici refrigeranti, ma non devono pulirli o installarli.
- ▶ Tenere lontano dall'elettrodomestico i bambini di età inferiore a 3 anni, a meno che non siano costantemente sorvegliati.
- ▶ La pulizia e la manutenzione non devono essere effettuate da bambini non sorvegliati.
- ▶ L'elettrodomestico deve essere posizionato in modo che la spina sia accessibile.
- ▶ In caso di perdite di gas illuminante o altri gas infiammabili in prossimità dell'elettrodomestico, spegnere la valvola del gas che fuoriesce, aprire porte e finestre e non staccare la spina del cavo di alimentazione dell'elettrodomestico.
- ▶ Attendere almeno 7 minuti per ricollegare l'alimentazione dopo averla scollegata.
- ▶ Non sollevare l'elettrodomestico mantenendolo per le maniglie della porta.



AVVERTENZA!

- ▶ Tenere presente che l'elettrodomestico è impostato per il funzionamento con un intervallo di temperatura ambiente specifico compreso tra 16 e 38 °C. L'elettrodomestico potrebbe non funzionare correttamente se lasciato per lunghi periodi a temperature esterne all'intervallo indicato.
- ▶ Non collocare articoli instabili (oggetti pesanti, contenitori pieni d'acqua) sopra l'elettrodomestico, per evitare lesioni personali dovute a cadute o scosse elettriche causate dal contatto con l'acqua.
- ▶ Aprire e chiudere lo sportello solo adoperando le maniglie. La distanza tra lo sportello e il vano è molto limitata. Non collocare le mani in queste zone per evitare che le dita rimangano intrappolate. Aprire o chiudere gli sportelli dell'elettrodomestico solo quando non ci sono bambini nel raggio di movimento degli sportelli.
- ▶ Non conservare né utilizzare materiali esplosivi o corrosivi nell'elettrodomestico o nelle vicinanze.
- ▶ Non collocare sostanze esplosive (ad es. lattine di aerosol con propellente infiammabile) all'interno di questo elettrodomestico.
- ▶ Non conservare medicinali, batteri o sostanze chimiche nell'elettrodomestico. Questo elettrodomestico è destinato ad ambienti residenziali, per cui si sconsiglia di conservare materiali che richiedono temperature rigide.
- ▶ Non impostare una temperatura inutilmente bassa nel vano cantinetta. Con impostazioni elevate possono crearsi temperature sotto zero. Attenzione: le bottiglie possono scoppiare.
- ▶ Non toccare la superficie interna dello scomparto dell'elettrodomestico durante il funzionamento, soprattutto con le mani bagnate, poiché le mani potrebbero congelare sulla superficie.
- ▶ Per un corretto raffreddamento del vino, non sovraccaricare l'elettrodomestico.
- ▶ In caso di blackout o prima della pulizia, scollegare l'elettrodomestico. Attendere almeno 7 minuti prima di riavviare l'elettrodomestico, poiché un avvio frequente può danneggiare il compressore.
- ▶ **AVVERTENZA:** Non adoperare apparecchiature elettriche all'interno degli scomparti per la conservazione degli alimenti, a meno che non siano del tipo consigliato dal produttore. Per evitare rischi, un cavo di alimentazione danneggiato deve essere sostituito dall'assistenza clienti (v. scheda di garanzia).
- ▶ Per prolungare la durata dell'elettrodomestico, evitare di spegnerlo.



AVVERTENZA!

Non collocare mai l'elettrodomestico orizzontalmente a terra. Se l'elettrodomestico è stato inclinato di oltre 45°, attendere mezz'ora prima di collegarlo alla rete elettrica.

Manutenzione / pulizia

- ▶ Accertarsi che i bambini siano sorvegliati se effettuano la pulizia e la manutenzione.
- ▶ Scollegare l'elettrodomestico dalla rete elettrica prima di effettuare operazioni di manutenzione ordinaria. Attendere almeno 7 minuti prima di riavviare l'elettrodomestico, poiché un avvio frequente può danneggiare il compressore.
- ▶ Quando si scollega l'elettrodomestico, mantenere la spina e non il cavo.
- ▶ Non pulire l'elettrodomestico con spazzole rigide, spazzole metalliche, detersivi in polvere, benzina, acetato di pentile, acetone e soluzioni organiche simili, soluzioni acide o alcaline. Per la pulizia adoperare un detergente speciale per frigoriferi/congelatori per evitare danni. Alla fine utilizzare acqua calda e una soluzione di bicarbonato di sodio (un cucchiaino di bicarbonato di sodio per litro d'acqua). Sciacquare abbondantemente con acqua e asciugare con un panno. Non adoperare detersivi in polvere o altri detersivi abrasivi. Non lavare le parti rimovibili in lavastoviglie.
- ▶ **AVVERTENZA:** non usare oggetti meccanici o utensili diversi da quelli consigliati dal produttore per accelerare lo sbrinamento.
- ▶ Se il cavo di alimentazione è danneggiato, deve essere sostituito dal produttore, da un tecnico dell'assistenza o da una persona con analogo qualifica per evitare rischi.
- ▶ Non cercare di riparare, smontare o modificare personalmente l'elettrodomestico. Per le riparazioni rivolgersi all'assistenza clienti.
- ▶ Se le lampadine sono danneggiate, devono essere sostituite dal produttore, da un tecnico dell'assistenza o da una persona con analogo qualifica per evitare rischi.
- ▶ Eliminare la polvere sul retro dell'unità almeno una volta all'anno per scongiurare il rischio di incendio e limitare i consumi energetici.

- ▶ Non spruzzare liquidi sull'elettrodomestico durante la pulizia.
- ▶ Per pulire questo elettrodomestico non utilizzare apparecchi a vapore.
- ▶ Non pulire lo sportello di vetro freddo con acqua calda. Un'improvvisa variazione della temperatura può causare la rottura del vetro.
- ▶ Se l'elettrodomestico deve rimanere inutilizzato per lungo tempo, lasciarlo aperto per evitare che all'interno si generino odori sgradevoli.

Informazioni sul gas refrigerante



AVVERTENZA!

L'elettrodomestico contiene il refrigerante infiammabile ISOBUTANO (R600a). Accertarsi che il circuito del refrigerante non abbia subito danni durante il trasporto o l'installazione. Eventuali perdite di refrigerante possono causare lesioni oculari o incendi. In caso di danni, tenere lontane fonti di fiamme libere, ventilare perfettamente l'ambiente, non collegare o scollegare i cavi di alimentazione dell'elettrodomestico o di altri elettrodomestici. Informare l'assistenza clienti.

In caso di contatto con gli occhi, sciacquare immediatamente con acqua corrente e rivolgersi immediatamente a un oculista.

AVVERTENZA: l'impianto di refrigerazione è ad alta pressione. Non manometterlo. Poiché sono utilizzati refrigeranti infiammabili, l'installazione, la movimentazione e la manutenzione dell'elettrodomestico devono essere effettuate attenendosi scrupolosamente alle istruzioni; per lo smaltimento dell'elettrodomestico, rivolgersi a un professionista o all'assistenza post-vendita.

Uso previsto


Questo elettrodomestico è destinato all'uso domestico e a utilizzi simili a quelli di seguito indicati:

- Zone cucina per il personale di negozi, uffici e altri ambienti lavorativi.
 - Aziende agricole e clienti di hotel, motel e altri ambienti residenziali.
 - Bed & breakfast.
 - Catering e servizi simili non al dettaglio.
- ▶ Per garantire la conservazione sicura del vino, attenersi a queste istruzioni per l'uso.
 - ▶ L'altra parte del manuale contiene informazioni dettagliate sulla zona più appropriata nel vano dell'elettrodomestico dove conservare determinati tipi di alimenti, considerando la distribuzione della temperatura nei diversi vani dell'elettrodomestico.

Non sono consentiti cambiamenti o modifiche all'elettrodomestico. Utilizzi errati possono causare pericoli e annullare la garanzia.

Smaltimento



Il simbolo  sul prodotto o sull'imballo indica che non può essere gestito come rifiuto domestico. Il prodotto deve essere conferito in un punto di raccolta per il riciclo delle apparecchiature elettriche ed elettroniche. Garantendo il corretto smaltimento del prodotto, è possibile evitare conseguenze negative per l'ambiente e per la salute umana dovute dalla gestione impropria dei rifiuti. Per informazioni più dettagliate sul riciclo di questo prodotto, rivolgersi all'ente locale competente, all'azienda addetta allo smaltimento dei rifiuti domestici o al punto vendita dov'è stato acquistato.

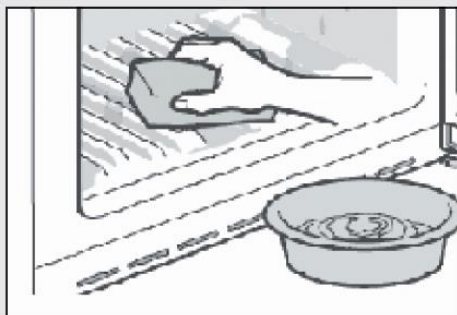
Poiché sono utilizzati gas infiammabili per l'isolamento, per lo smaltimento dell'elettrodomestico rivolgersi a un professionista o all'assistenza post-vendita.

AVVERTENZA!

Rischio di lesioni da soffocamento!

I refrigeranti e i gas devono essere smaltiti in maniera professionale. Accertarsi che la tubazione del circuito del refrigerante non sia danneggiata prima di smaltirla correttamente. Scollegare l'elettrodomestico dalla rete elettrica. Tagliare il cavo di alimentazione e smaltirlo. Rimuovere vassoi e cassette, fermaporta e guarnizioni, per evitare che bambini e animali domestici rimangano chiusi nell'elettrodomestico.

- ▶ **AVVERTENZA:** Prima di effettuare la pulizia, staccare la spina di alimentazione dell'elettrodomestico.
- ▶ Non pulire l'elettrodomestico con spazzole rigide, spazzole metalliche, detersivi in polvere, benzina, acetato di pentile, acetone e soluzioni organiche simili, soluzioni acide o alcaline. Per la pulizia adoperare un detersivo speciale per frigoriferi per evitare danni.
- ▶ Pulire l'elettrodomestico quando è vuoto o quando contiene poco vino. È necessario pulirlo solo quando è sporco.
- ▶ Pulire l'interno e l'alloggiamento dell'elettrodomestico con una spugna inumidita in acqua calda e detersivo neutro.
- ▶ Sciacquare con acqua calda e pulita e asciugare con un panno asciutto.
- ▶ Non lavare i componenti dell'elettrodomestico in lavastoviglie.
- ▶ Attendere almeno 7 minuti prima di riavviare l'elettrodomestico, poiché un avvio frequente può danneggiare il compressore.



Pulire la guarnizione dello sportello:

- ▶ Per garantire una tenuta adeguata le guarnizioni dello sportello devono essere pulite. Effettuare le seguenti operazioni: rimozione: afferrare la guarnizione dello sportello ed estrarla seguendo la direzione della freccia per rimuovere l'intera guarnizione dello sportello nell'ordine. Immergere il pennello in acqua o alcool alimentare, pulire la scanalatura della guarnizione dello sportello tirando avanti e



indietro il pennello. Pulire, quindi, la superficie della guarnizione dello sportello con un asciugamano imbevuto di acqua o alcool alimentare. Lavare, infine, la guarnizione dello sportello e asciugarla con un asciugamano pulito.

Installazione della guarnizione dello sportello dopo la pulizia:

Prima dell'installazione, accertarsi che non vi sia acqua sulla guarnizione dello sportello. Inserire la guarnizione dello sportello nella scanalatura e premerla a mano dall'alto verso il basso fino a inserire l'intera guarnizione dello sportello nella scanalatura.

Pulizia dei ripiani:

Tutti i ripiani per gli alimenti possono essere estratti per la pulizia.

Togliere tutte le bottiglie.

Sollevarle lievemente ogni ripiano ed estrarlo.

Pulire il ripiano con un panno morbido.

Attendere che i ripiani siano asciutti prima di rimontarli.

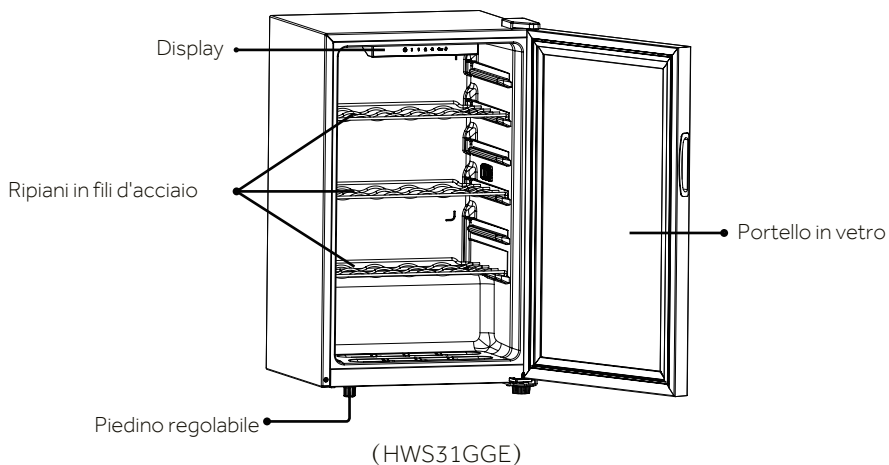
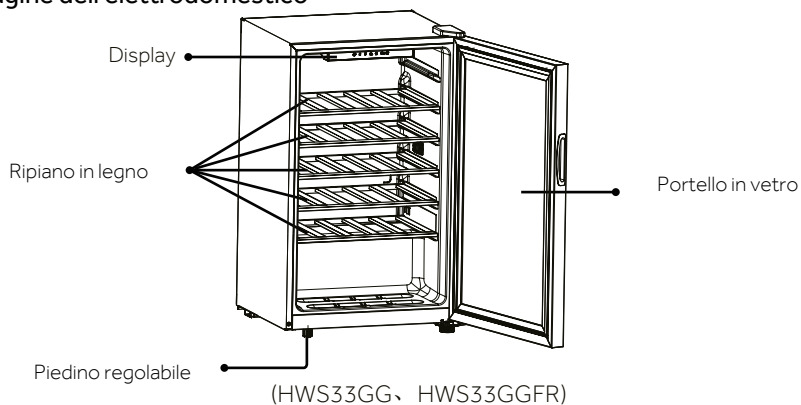
Controllare gli accessori e la documentazione indicati nel seguente elenco: senza isolamento.

Quantità	Nome	Guida Utente	Kit Informativo	Scaffali per vino in legno	Ripiani in filo d'acciaio
Modello di prodotto					
	HWS33GG	1	1	5	0
	HWS31GGE	1	1	0	3
	HWS33GGFR	1	1	5	0

Avviso

A causa di modifiche tecniche e della varietà dei modelli, alcune illustrazioni riportate nel presente manuale possono essere diverse dall'aspetto reale del modello acquistato.

Immagine dell'elettrodomestico



Questo prodotto contiene una fonte luminosa con efficienza energetica di classe G.

1. Disimballo

- ▶ Estrarre l'elettrodomestico dall'imballo.
- ▶ Rimuovere tutti i materiali dell'imballo, compresa la base in schiuma e tutto il nastro adesivo che fissa gli accessori.

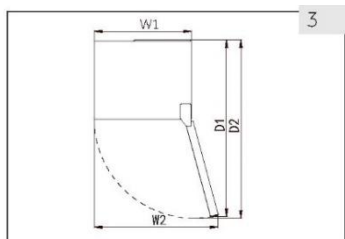
2. Condizioni ambientali

La temperatura ambiente deve essere sempre compresa tra 16 e 38 °C, poiché può influire sulla temperatura interna dell'elettrodomestico e sui consumi energetici. Non installare l'elettrodomestico vicino ad altri elettrodomestici che emettono calore (forni, frigoriferi) senza isolamento.

3. Requisiti di spazio

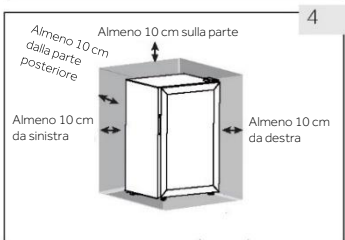
Spazio necessario per aprire lo sportello (Fig. 3):

Larghezza (mm)		Profondità (mm)	
W1	W2	D1	D2
499	633	905	919



4. Spazio per la ventilazione

Per la sicurezza e il risparmio energetico, rispettare la distanza di ventilazione richiesta di 10 cm in tutte le direzioni (Fig. 4).



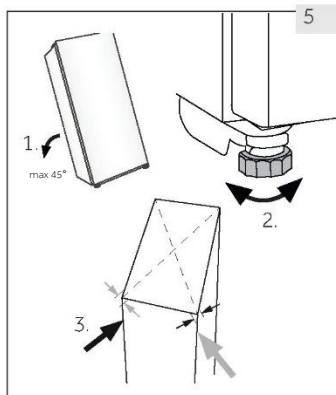
AVVERTENZA!

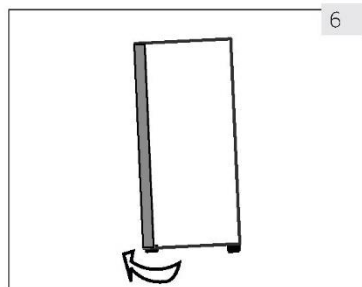
- ▶ Le aperture di ventilazione nell'elettrodomestico o nella struttura a incasso devono rimanere sempre libere. Questo elettrodomestico refrigerante non è progettato per l'installazione a incasso.

5. Allineamento dell'elettrodomestico

Installare l'elettrodomestico su una superficie solida e piana.

1. Inclinare lievemente all'indietro l'elettrodomestico (Fig. 5).
2. Regolare i piedini anteriori regolabili sul livello desiderato ruotandoli.
3. La stabilità può essere verificata spingendo diagonalmente l'elettrodomestico a destra e a sinistra. Il lieve ondeggiamento deve essere identico in entrambe le direzioni. In caso contrario, il telaio potrebbe deformarsi e le guarnizioni dello sportello potrebbero perdere. Una lieve inclinazione posteriore facilita la chiusura dello sportello.





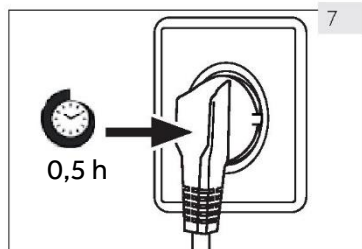
6

6. Regolazione precisa dello sportello

L'elettrodomestico si chiude più facilmente agendo sui i piedini di livellamento anteriori:

Ruotare i piedini regolabili (Fig. 6) per sollevarli o abbassarli:

- ▶ Ruotando i piedini in senso orario, l'elettrodomestico si solleva.
- ▶ Ruotando i piedini in senso antiorario, l'elettrodomestico si abbassa.



7

7. Tempo di attesa

L'olio di lubrificazione esente da manutenzione si trova nella capsula del compressore. Se l'elettrodomestico è inclinato, questo olio può percorrere il sistema di tubazioni chiuse durante il trasporto. Prima di collegare l'elettrodomestico all'alimentazione elettrica, attendere 0,5 ore (Fig. 7) in modo che l'olio torni nella capsula.

8. Collegamento elettrico

Prima di ogni collegamento, effettuare i seguenti controlli:

- ▶ La fonte di alimentazione, la presa e i fusibili sono conformi ai dati indicati nella targhetta.
- ▶ La presa di corrente è collegata a terra e non sono utilizzate prese multiple o prolunghie.
- ▶ La spina e la presa di corrente sono inserite correttamente.

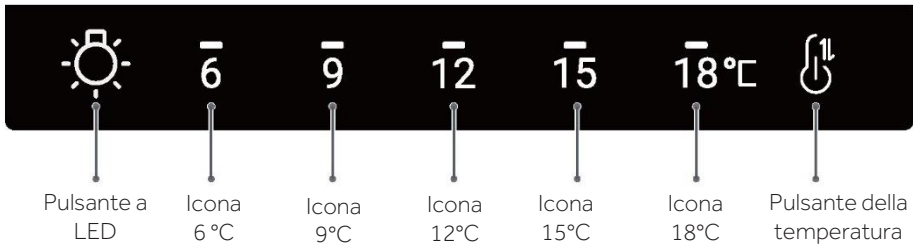
Collegare la spina a una presa domestica installata correttamente.



AVVERTENZA!

Per evitare rischi, un cavo di alimentazione danneggiato deve essere sostituito dall'assistenza clienti (v. scheda di garanzia).

Pannello di controllo



L'intervallo di temperatura del pannello di visualizzazione è 6-18 °C

La temperatura predefinita è 12 °C

È possibile impostare la temperatura in base alle esigenze di conservazione del vino.

1. Regolazione della temperatura

Premere il "pulsante di temperatura" per accendere l'icona superiore del livello di temperatura attuale; premere nuovamente il "pulsante della temperatura" e impostare la temperatura su di un livello per un totale di 5 livelli. La regolazione della temperatura è ciclica: continuando a premere il pulsante, dopo 18 °C si riparte da 6 °C. Quando si seleziona il livello desiderato e non si effettuano operazioni per 5 secondi, il sistema ripristina automaticamente i parametri di impostazione attuali.

2. Illuminazione interna

Premendo una sola volta il "pulsante di illuminazione", l'illuminazione nel vano si accende; premendo nuovamente il "pulsante di illuminazione", le luci nel vano si spengono.

3. Funzione di memoria in caso di spegnimento

L'impostazione della temperatura del vano rimane in memoria. Quando si inserisce nuovamente la spina, viene ripristinata l'impostazione precedente.



Suggerimenti per il risparmio energetico

- ▶ Accertarsi che l'elettrodomestico sia adeguatamente ventilato (v. INSTALLAZIONE).
- ▶ Non installare l'elettrodomestico esposto alla luce diretta del sole o in prossimità di fonti di calore (ad es. stufe o radiatori).
- ▶ Evitare che la temperatura dell'elettrodomestico sia inutilmente bassa. Riducendo la temperatura impostata nell'elettrodomestico, il consumo energetico aumenta.
- ▶ Aprire lo sportello dell'elettrodomestico senza spalancarlo e chiuderlo prima possibile.
- ▶ Per evitare ostruzioni del flusso d'aria, non superare la quantità di bottiglie indicata.
- ▶ Mantenere pulite le guarnizioni dello sportello in modo che si chiuda sempre correttamente.
- ▶ Per ottimizzare il risparmio energetico, collocare i ripiani nell'elettrodomestico come installati in fabbrica e riporre il vino senza ostruire l'uscita dell'aria del condotto.

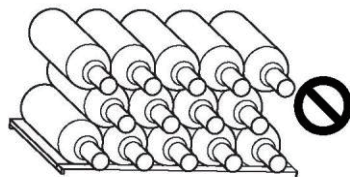
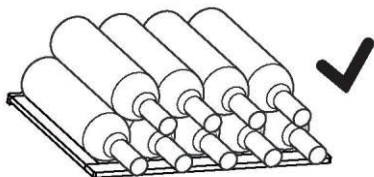
1. Ripiano

1. I ripiani sono progettati per facilitare la conservazione e la rimozione del vino. Possono essere puliti con un asciugamano morbido.
2. Le bottiglie normali con diametro di 76 mm possono essere impilate.
3. Le bottiglie magnum possono essere impilate in basso.
4. La quantità può variare rispetto al numero o alle bottiglie raffigurate, se impilate in modo diverso.



Precauzioni per l'uso della cantinetta

Non collocare troppo vino nella cantinetta, senza superare la capacità dei ripiani. Su ogni ripiano, non collocare più di tre strati di bottiglie impilate. Il numero di bottiglie di vino non deve superare tre livelli su ogni ripiano e il carico sui ripiani non dovrebbe essere superiore a 15 kg.

Prima di collocare le bottiglie nella cantinetta, accertarsi che i ripiani per il vino siano perfettamente stabili. Accertarsi, inoltre, che le bottiglie non sporgano dai ripiani per evitare che urtino lo sportello di vetro quando viene chiuso.



2. Luce

Con lo sportello aperto, premere il pulsante dell'illuminazione  per accenderla; premere nuovamente il pulsante dell'illuminazione  per spegnerla.

3. Sbrinamento automatico

Questo elettrodomestico è dotato di una funzione di sbrinamento automatico. Durante l'uso, accertarsi che il foro di scarico non sia ostruito drenaggio, affinché l'acqua di sbrinamento possa scorrere senza ostacoli nel foro di scarico fino al serbatoio interno dell'acqua del vano della cantinetta.

Pulire regolarmente i ricevitori d'acqua sul fondo degli scomparti; utilizzare un panno asciutto per assorbire l'acqua all'interno dei ricevitori d'acqua e pulirli ogni tre mesi, come suggerito.

1. Sbrinamento

Lo sbrinamento della cantinetta avviene in modo automatico e non richiede alcuna operazione manuale.

2. Sostituzione della lampada a LED

La lampada utilizza una sorgente luminosa a LED, che riduce i consumi energetici e garantisce una lunga durata. In caso di anomalie, rivolgersi all'assistenza clienti. V. ASSISTENZA CLIENTI.



AVVERTENZA!



Non sostituire personalmente la lampada a LED. La lampada a LED deve essere sostituita solo dal produttore o da un tecnico dell'assistenza autorizzato.

Parametri della lampada a LED:

Tensione 12 V; potenza max: 2 W

3. Inutilizzo per lunghi periodi

Scollegare il cavo di alimentazione.

Pulire l'elettrodomestico e le guarnizioni dello sportello come descritto precedentemente.

Lasciare lo sportello aperto per evitare la produzione di cattivi odori all'interno.

4. Spostamento dell'elettrodomestico

1. Togliere tutte le bottiglie e scollegare l'elettrodomestico.
2. Fissare con nastro adesivo i ripiani e le altre parti mobili nella cantinetta.
3. Non inclinare la cantinetta oltre 45° per evitare di danneggiare il sistema di refrigerazione.

Molti problemi possono essere risolti personalmente senza particolari competenze. In caso di problemi, consultare tutte le soluzioni possibili indicate e attenersi alle seguenti istruzioni prima di contattare l'assistenza post-vendita. V. ASSISTENZA CLIENTI.



AVVERTENZA!

- ▶ Prima di effettuare la manutenzione dell'elettrodomestico, spegnerlo e staccare la spina dalla presa di corrente.
- ▶ La manutenzione delle apparecchiature elettriche deve essere effettuata solo da elettricisti qualificati, dal momento che eventuali riparazioni improprie possono causare danni notevoli.
- ▶ Se il cavo di alimentazione è danneggiato, deve essere sostituito unicamente dal produttore, da un tecnico dell'assistenza o da una persona con analogo qualifica per evitare rischi.

Codice di errore	Causa	Soluzione
L'icona "9" lampeggia	Guasto del sensore di refrigerazione	Telefonare all'assistenza post-vendita.
L'icona "12" lampeggia	Allarme criogenico del sensore di refrigerazione.	Telefonare all'assistenza post-vendita.

Problema	Causa possibile	Soluzione possibile
Si forma brina sul retro del vano interno?	<ul style="list-style-type: none"> Sul retro del rivestimento interno della cantinetta sono installati tubi di refrigerazione. 	<ul style="list-style-type: none"> Questo fenomeno è normale. Il vano si congela automaticamente senza influire sul normale utilizzo.
L'elettrodomestico è troppo rumoroso?	<ul style="list-style-type: none"> Posizionamento instabile. 	<ul style="list-style-type: none"> Regolare il piedino inferiore in modo che il vano sia stabile. Accertarsi che il vano non tocchi le pareti o altri oggetti.
Si sente un rumore di liquido che scorre nel vano?	<ul style="list-style-type: none"> È il rumore del flusso di refrigerante nelle tubazioni di circolazione del sistema di refrigerazione. 	<ul style="list-style-type: none"> Questo fenomeno è normale.
La cantinetta non funziona?	<ul style="list-style-type: none"> Controllare se la spina della cantinetta è inserita nella presa di corrente. Modalità di protezione del compressore. 	<ul style="list-style-type: none"> Accertarsi che la spina della cantinetta sia inserita correttamente nella presa di corrente. Controllare se presa di corrente funziona. Controllare il fusibile dell'impianto elettrico. Il compressore include una modalità di protezione con un intervallo di 7 minuti.
Perché sono visibili lievi rilievi su entrambi i lati dell'involucro?	<ul style="list-style-type: none"> Dono dovute all'espansione e alla contrazione causate dal calore. 	<ul style="list-style-type: none"> Questo fenomeno è normale. Lo scopo è garantire una corretta dissipazione del calore e un'efficienza ottimale della cantinetta.
Lo sportello non si chiude perfettamente? Perdita d'aria?	<ul style="list-style-type: none"> Dopo un certo periodo di tempo di utilizzo del prodotto, è possibile che la guarnizione dello sportello si indurisca e si deformi a causa della temperatura bassa nel vano. 	<ul style="list-style-type: none"> Riscaldare la zona deformata con aria calda (ad es. con un asciugacapelli) o coprire la zona deformata con un asciugamano caldo. Se la guarnizione della porta è morbida, lo sportello si chiude perfettamente.
Il compressore rimane in funzione per molto tempo?	<ul style="list-style-type: none"> Lo sportello del vano non è chiuso o è stato aperto troppe volte? Sono state collocate troppe bevande in una sola volta. L'impostazione del vano è troppo bassa? 	<ul style="list-style-type: none"> Chiudere bene lo sportello o ridurre la frequenza di apertura. Non collocare troppe bevande in una sola volta e lasciare uno spazio tra una bevanda e l'altra. L'impostazione del vano può essere regolata correttamente.

Problema	Causa possibile	Soluzione possibile
Quando la cantinetta è in funzione, si sente un rumore come uno scatto?	<ul style="list-style-type: none"> • A causa dei cambiamenti di temperatura, vari materiali sono soggetti all'espansione e alla contrazione termica. Durante l'uso, lo scatto è dovuto all'azione del relè e di altri componenti elettrici. 	<ul style="list-style-type: none"> • Questo fenomeno è normale.
La cantinetta non raffredda correttamente?	<ul style="list-style-type: none"> • Controllare se temperatura impostata è eccessiva. • L'elettrodomestico è esposto alla luce diretta del sole o a fonti di calore vicine. • Nella cantinetta sono state collocate bevande calde. • Sono state collocate troppe bevande nella cantinetta. • Lo sportello della cantinetta è stato aperto e chiuso frequentemente. 	<ul style="list-style-type: none"> • Impostare una temperatura più bassa. • Evitare la luce diretta del sole e tenere lontano l'elettrodomestico da fonti di calore. • Le bevande non devono essere troppo calde. • Non inserire troppe bevande in una sola volta. • Chiudere bene lo sportello o ridurre il numero di volte che viene aperto.
La cantinetta emette un odore particolare?	<ul style="list-style-type: none"> • Se è nuova, la cantinetta emette un odore di plastica o schiuma. 	<ul style="list-style-type: none"> • Questo fenomeno è normale e scompare col tempo. • Controllare regolarmente se la cantinetta contiene bevande guaste. • Avvolgere con cura le bevande che emettono molto odore in sacchetti di plastica. • La cantinetta deve essere pulita regolarmente.
È presente condensa sullo sportello della cantinetta?	<ul style="list-style-type: none"> • Non aprire troppo spesso lo sportello e non lasciarlo aperto per molto tempo. • Controllare se l'impostazione della temperatura nel vano è troppo bassa. • La temperatura e l'umidità dell'ambiente sono elevate. 	<ul style="list-style-type: none"> • Chiudere bene lo sportello o ridurre il numero di volte che viene aperto. • Non impostare una temperatura troppo bassa nel vano. • Asciugare il vano con un panno morbido.
L'illuminazione è insufficiente?	<ul style="list-style-type: none"> • Controllare se la cantinetta riceve corrente elettrica. • La lampada è danneggiata? 	<ul style="list-style-type: none"> • Controllare l'alimentazione elettrica. • Ispezionare la lampada.

Per contattare l'assistenza tecnica, visitare il nostro sito web:

<https://corporate.haier-europe.com/en/>

Nella sezione "sito web", scegliere la marca del proprio prodotto e il proprio paese.

Si aprirà il sito web specifico contenente il numero di telefono e il modulo per contattare l'assistenza tecnica.

Specifiche del prodotto secondo il regolamento UE n. 2019/2016

Marca	Haier	Haier	Haier
Nome/Modello identificatore	HWS33GG	HWS31GGE	HWS33GGFR
Capacità nominale(n°bottiglie)	33	31	33
Categoria di refrigerazione domestica	I	I	I
Classe di efficienza energetica	G	G	G
Consumo energetico annuo	154	154	154
Volume di stoccaggio(L)	93	93	93
Classe climatica:Questo elettrodomestico è destinato all'uso con temperature ambiente comprese tra 16°C e 38°C	ST	ST	ST
Emissioni acustiche(db(A) 1pW)	C(37)	C(37)	C(37)
Tipo di elettrodomestico	Freestanding	Freestanding	Freestanding
Questo elettrodomestico deve essere usato solo per la conservazione del vino	SI	SI	SI
Dimensioni (P/L/A in mm)	455/499/830	455/499/830	455/499/830

1) Sulla base dei risultati di test standard per 24 ore. Il consumo energetico effettivo dipende dall'ambiente reale, dalla quantità di bottiglie conservate, dalla temperatura impostata, dall'apertura e chiusura dello sportello ecc.

2) Il consumo energetico nominale è il valore ottenuto in base alla prova standard con il ciclo dell'aria e l'illuminazione della cantinetta spenta.

- temperata estesa: "Questo elettrodomestico è destinato all'uso con temperature ambiente comprese tra 10 e 32 °C"
- temperata: "Questo elettrodomestico è destinato all'uso con temperature ambiente comprese tra 16 e 32 °C".
- subtropicale: "Questo elettrodomestico è destinato all'uso con temperature ambiente comprese tra 16 e 38 °C".
- tropicale: "Questo elettrodomestico è destinato all'uso con temperature ambiente comprese tra 16 e 43 °C".

Norme e direttive

Questo prodotto è conforme ai requisiti di tutte le direttive CE vigenti con le corrispondenti norme armonizzate che prevedono il marchio CE.

Si consiglia di rivolgersi all'Assistenza Clienti Haier e di utilizzare ricambi originali. In caso di problemi con l'elettrodomestico, consultare prima la sezione SOLUZIONE DEI PROBLEMI. Se non si riesce a trovare una soluzione, contattare

- ▶ il rivenditore locale o
- ▶ l'area Service & Support su www.haier.com, che riporta numeri di telefono e domande frequenti, e le istruzioni per rivendicare la garanzia.

Per contattare l'assistenza, procurarsi i dati seguenti.

Le informazioni si trovano sulla targhetta.

Modello _____ N. di serie _____

Controllare anche la scheda di garanzia fornita con il prodotto.

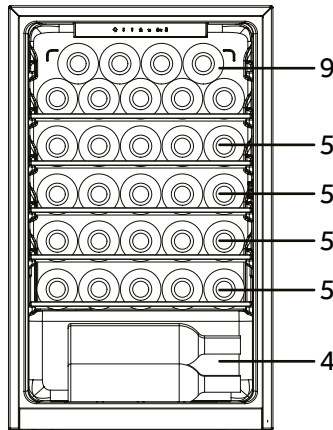
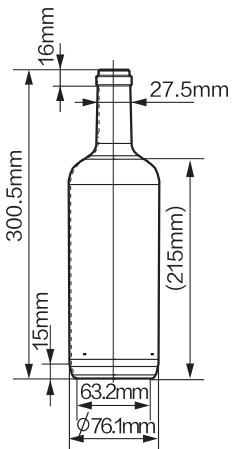
Per richieste di carattere generico, di seguito sono riportati i nostri indirizzi in Europa:

Indirizzi Haier europei			
Paese*	Indirizzo postale	Paese	Indirizzo postale
Italia	Haier Europe Trading SRL Via De Cristoforis, 12 21100 Varese ITALY	Francia	Haier Europe Trading SRL Via De Cristoforis, 12 21100 Varese ITALY
Spagna Portogallo	Haier Iberia SL Pg. Garcia Faria, 49-51 08019 Barcellona SPAIN	Belgio (FR) Belgio (NL) Paesi Bassi Lussemburgo	Haier Benelux SA Anderlecht Route de Lennik 451 BELGIUM
Germania Austria	Haier Deutschland GmbH Hewlett-Packard-Str. 4 D-61352 Bad Homburg GERMANY	Polonia Repubblica Ceca Ungheria Grecia	Haier Poland Sp. zo.o. Al. Jerozolimskie 181B 02-222 Varsavia POLAND
Regno Unito	Haier Appliances UK Co. Ltd. One Crown Square Church Street East Woking, Surrey, GU21 6HR UK	Romania Russia	

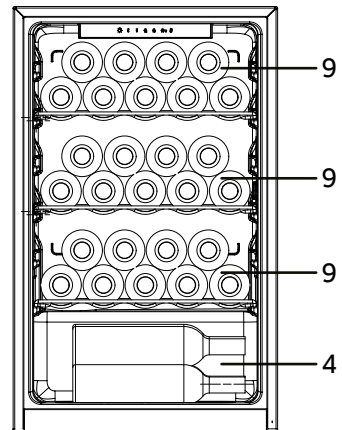
DISPONIBILITÀ DEI RICAMBI: Termostati, sensori di temperatura, circuiti stampati e lampade rimangono disponibili per almeno sette anni dopo l'immissione sul mercato dell'ultima unità del modello. Maniglie e cerniere degli sportelli, vassoi e cestelli rimangono disponibili per almeno di sette anni e le guarnizioni degli sportelli per almeno dieci anni dopo l'immissione sul mercato dell'ultima unità del modello.

Garanzia minima: 2 anni per i paesi UE, 3 anni per la Turchia, 1 anno per il Regno Unito, 1 anno per la Russia, 3 anni per la Svezia, 2 anni per la Serbia, 5 anni per la Norvegia, 1 anno per il Marocco, 6 mesi per l'Algeria; per la Tunisia non è obbligatoria alcuna garanzia legale.

Per ulteriori informazioni sul prodotto, consultare <https://eprel.ec.europa.eu/> o effettuare una scansione del codice QR apposto sull'etichetta energetica fornita con l'elettrodomestico.



HWS33GG
HWS33GGFR
(33 bottle capacity)



HWS31GGE
(31 bottle capacity)



Manual de usuario

Bodega de vinos

HWS33GG
HWS31GGE
HWS33GGFR

ES

Haier

Gracias por comprar un producto Haier.

Lea atentamente estas instrucciones antes de utilizar este electrodoméstico. Las instrucciones contienen información importante que le ayudará a sacar el máximo provecho del electrodoméstico y a garantizar una instalación, uso y mantenimiento seguros y adecuados.

Guarde este manual en un lugar accesible para que siempre pueda consultarlo para el uso seguro y adecuado del electrodoméstico.

Si usted vende el electrodoméstico, lo dona o lo deja atrás al mudarse, asegúrese de dejar también este manual para que el nuevo propietario pueda familiarizarse con el electrodoméstico y las advertencias de seguridad.



Leyenda

Advertencia: Información de seguridad importante



Información general y consejos



Información medioambiental



Eliminación

Ayude a proteger el medio ambiente y la salud humana. Tire el embalaje en los contenedores correspondientes para reciclarlo. Ayude a reciclar los residuos de aparatos eléctricos y electrónicos. No deseche los aparatos marcados con este símbolo con los residuos domésticos. Lleve el producto a su planta de reciclaje local o póngase en contacto con su oficina municipal.



ADVERTENCIA!

Peligro de lesiones o asfixia!

Los refrigerantes y los gases deben desecharse de forma profesional. Asegúrese de que la tubería del circuito refrigerante no está dañada antes de desecharla adecuadamente. Desconecte el electrodoméstico de la red eléctrica. Corte el cable de red y deséchelo. Retire las bandejas y los cajones, así como el pestillo de la puerta y las juntas, para evitar que los niños y las mascotas se queden encerrados en el electrodoméstico.

Los electrodomésticos viejos todavía tienen algún valor residual. Un método de eliminación respetuoso con el medio ambiente garantizará que las valiosas materias primas puedan recuperarse y volver a utilizarse.

El ciclopentano, una sustancia inflamable que no daña el ozono, se utiliza como expansor para la espuma aislante.

Al garantizar que este producto se desecha correctamente, ayudará a prevenir posibles consecuencias negativas para el medio ambiente y la salud humana.

Para obtener información más detallada sobre el reciclaje de este producto, póngase en contacto con los profesionales de su ayuntamiento, su servicio de eliminación de residuos domésticos o la tienda donde compró el producto.

1 - Información de seguridad	4
2 - Consejos de seguridad	6
3 - Mantenimiento	11
4 - Accesorios	12
5 - Descripción del producto.....	14
6 - Instalación.....	15
7 - Uso.....	17
8 - Consejos para ahorrar energía	18
9 - Equipo	19
10 - Cuidado y limpieza.....	20
11 - Solución de problemas.....	21
12 - Datos técnicos	25
13 - Atención al cliente	26
14 - Apilamiento de las botellas de vino	27

Este electrodoméstico está destinado a ser utilizado exclusivamente para el almacenamiento de vino. Antes de encender el electrodoméstico por primera vez, lea las siguientes directrices de seguridad:



ADVERTENCIA!

Antes del primer uso

- ▶ Asegúrese de que no haya daños causados por el transporte.
- ▶ Retire todo el embalaje, manténgalo fuera del alcance de los niños y deséchelo de forma respetuosa con el medio ambiente.
- ▶ Espere al menos dos horas antes de instalar el electrodoméstico para garantizar que el circuito refrigerante es totalmente eficiente.
- ▶ Este electrodoméstico es pesado: manipúlelo con la ayuda de otra persona.

Instalación

- ▶ Este electrodoméstico debe colocarse en un lugar bien ventilado. Asegúrese de dejar un espacio libre de al menos 10 cm por encima y alrededor del electrodoméstico.
- ▶ **ADVERTENCIA:** No obstruya las aberturas de ventilación del armazón del electrodoméstico o de la estructura integrada.
- ▶ No coloque el electrodoméstico en un área húmeda o en un lugar donde pueda recibir salpicaduras de agua. Limpie y seque las salpicaduras y manchas con un paño suave y limpio.
- ▶ No instale su bodega en ningún lugar que no esté debidamente aislado o calentado (por ejemplo, un garaje, etc.). Su bodega de vinos no ha sido concebida para funcionar a una temperatura ambiente inferior a 16 °C.
- ▶ No instale el electrodoméstico bajo la luz directa del sol o cerca de fuentes de calor (p. ej.: fogones, estufas...).
- ▶ Instale y nivele el electrodoméstico en un lugar adecuado para su tamaño y uso.
- ▶ Asegúrese de que la información eléctrica de la placa de características técnicas coincida con la fuente de alimentación. Si no es así, póngase en contacto con un electricista.

**ADVERTENCIA!**

- ▶ El aparato funciona con una fuente de alimentación de 220-240 V/50 Hz. Una fluctuación anormal del voltaje puede provocar que el electrodoméstico no se ponga en marcha, o que se dañe el control de temperatura o el compresor, o que se oiga un ruido anormal durante el funcionamiento. En tal caso, se deberá instalar un regulador automático.
- ▶ No utilice adaptadores de múltiples contactos ni cables de extensión.
- ▶ **ADVERTENCIA:** No coloque múltiples tomas de corriente portátiles ni fuentes de alimentación portátiles en la parte trasera del electrodoméstico.
- ▶ **ADVERTENCIA:** Al posicionar el electrodoméstico, asegúrese de que el cable de alimentación no está atrapado o dañado.
- ▶ No oprima el cable de alimentación.
- ▶ Utilice una toma de corriente a tierra separada para la fuente de alimentación a la que se pueda acceder fácilmente. Este electrodoméstico debe conectarse a tierra.
- ▶ Sólo para el Reino Unido: conector de tierra compatible con una toma de corriente estándar de 3 cables (con conexión a tierra). No corte ni desmonte la tercera patilla (toma de tierra). Una vez instalado el electrodoméstico, el enchufe debe ser accesible.
- ▶ **ADVERTENCIA:** No dañe el circuito del refrigerante.

Uso diario

- ▶ Este electrodoméstico puede ser utilizado por niños a partir de 8 años y por personas con capacidades físicas, sensoriales o mentales reducidas, o sin experiencia o conocimientos previos, siempre y cuando hayan recibido la supervisión y las instrucciones necesarias para utilizar el electrodoméstico de forma segura y comprendan los riesgos que implica.
- ▶ Los niños no deben jugar con este electrodoméstico.
- ▶ Se permite que los niños de 3 a 8 años llenen y vacíen electrodomésticos de refrigeración, pero no están autorizados a limpiarlos e instalarlos.
- ▶ Mantenga alejados del electrodoméstico a los niños menores de 3 años a menos que estén constantemente supervisados.
- ▶ La limpieza y el mantenimiento del usuario no deben ser realizados por niños sin supervisión.



ADVERTENCIA!

- ▶ El electrodoméstico debe colocarse de forma que el enchufe sea accesible.
- ▶ Si se filtra gas de hulla u otro gas inflamable en las proximidades del electrodoméstico, apague la válvula del gas filtrado, abra las puertas y ventanas y no desconecte el cable de alimentación del electrodoméstico.
- ▶ Espere al menos 7 minutos antes de volver conectar la alimentación después de desconectarla.
- ▶ No levante el electrodoméstico por las asas de la puerta.
- ▶ Tenga en cuenta que el aparato está ajustado para funcionar en un rango de temperatura ambiental específico entre 16 y 38° C. El aparato puede no funcionar correctamente si se deja durante un período prolongado a una temperatura superior o inferior a la indicada.
- ▶ No coloque artículos inestables (objetos pesados, recipientes llenos de agua) en la parte superior del electrodoméstico, a fin de evitar lesiones personales causadas por caídas o descargas eléctricas causadas por el contacto con el agua.
- ▶ Abra y cierre la puerta solamente usando las asas. El espacio entre la puerta y el armario es muy estrecho. No ponga las manos en estas áreas para evitar pillarse los dedos. Abra o cierre las puertas del electrodoméstico solo cuando no haya niños dentro del área de movimiento de la puerta.
- ▶ No almacene ni utilice elementos inflamables, explosivos o corrosivos en el electrodoméstico ni cerca de él.
- ▶ No almacene en este electrodoméstico sustancias explosivas, como botes de aerosol con propelente inflamable.
- ▶ No guarde medicamentos, bacterias ni agentes químicos en el electrodoméstico. Este electrodoméstico es un aparato de uso doméstico. No se recomienda guardar en él materiales que requieran temperaturas estrictas.
- ▶ No ajuste una temperatura innecesariamente baja en el compartimento de la cámara de vino. En los ajustes altos pueden darse temperaturas bajo cero. Atención: las botellas pueden estallar.

**ADVERTENCIA!**

- ▶ No toque la superficie interior del compartimento del electrodoméstico cuando esté en funcionamiento, especialmente con las manos mojadas, ya que las manos pueden congelarse en la superficie.
- ▶ Para una refrigeración adecuada del vino, no sobrecargue el electrodoméstico.
- ▶ Desenchufe el electrodoméstico en caso de interrupción del suministro eléctrico o antes de limpiarlo. Deje pasar al menos 7 minutos antes de reiniciar el electrodoméstico, ya que el arranque frecuente puede dañar el compresor.
- ▶ **ADVERTENCIA:** No utilice dispositivos eléctricos dentro del electrodoméstico, a menos que sean del tipo recomendado por el fabricante. Para evitar riesgos, solo el servicio de atención al cliente debe reemplazar un cable de alimentación dañado (ver tarjeta de garantía).
- ▶ Para prolongar la vida útil del electrodoméstico, evite apagarlo.
- ▶ No coloque el electrodoméstico horizontalmente sobre el suelo. Si el aparato se inclina más de 45°, espere 0,5 horas antes de enchufarlo.

Mantenimiento / limpieza

- ▶ Asegúrese de que los niños están bajo supervisión si realizan tareas de limpieza y mantenimiento.
- ▶ Desconecte el electrodoméstico de la red eléctrica antes de realizar cualquier mantenimiento rutinario. Deje pasar al menos 7 minutos antes de reiniciar el electrodoméstico, ya que el arranque frecuente puede dañar el compresor.
- ▶ Cuando desenchufe el electrodoméstico, hágalo agarrando la clavija, no el cable.
- ▶ No limpie el electrodoméstico con cepillos duros, cepillos de alambre, detergente en polvo, gasolina, acetato de amilo, acetona y soluciones orgánicas similares, soluciones ácidas o alcalinas. Limpie con un detergente especial para frigoríficos/congeladores para evitar daños. Finalmente, use una solución de agua tibia y bicarbonato (aproximadamente una cucharada de bicarbonato en un litro/cuarto de agua). Enjuague abundantemente con agua y seque con un trapo. No

utilice limpiadores en polvo u otros limpiadores abrasivos. No lave las piezas extraíbles en el lavavajillas.

- ▶ **ADVERTENCIA:** No utilice dispositivos mecánicos ni otros equipos para acelerar el proceso de descongelación, salvo aquellos recomendados por el fabricante.
- ▶ Si el cable de alimentación está dañado, debe ser sustituido por el fabricante, por su servicio técnico o por cualquier profesional cualificado similar para evitar riesgos.
- ▶ No intente reparar, desmontar o modificar este electrodoméstico por su cuenta. En caso de reparación, póngase en contacto con nuestro servicio de atención al cliente.
- ▶ Si las luces están dañadas, deben ser sustituidas por el fabricante, por su servicio técnico o por cualquier profesional cualificado similar para evitar riesgos.
- ▶ Saque el polvo de la parte posterior de la unidad al menos una vez al año para evitar el riesgo de incendio, así como un mayor consumo de energía.
- ▶ No pulverice sobre el aparato para su limpieza.
- ▶ No use agua pulverizada o vapor para limpiar el electrodoméstico.
- ▶ No limpie la puerta de cristal fría con agua caliente. Un cambio repentino de temperatura puede causar que el cristal se rompa.
- ▶ Si deja el electrodoméstico fuera de uso durante un periodo prolongado, déjelo abierto para evitar que se acumulen malos olores en el interior.

Información sobre gases refrigerantes



ADVERTENCIA!

Este electrodoméstico contiene el refrigerante inflamable ISOBUTANO (R600a). Asegúrese de no dañar el circuito refrigerante durante el transporte o la instalación. La fuga de refrigerante puede causar lesiones oculares o incendios. Si se produce algún daño, mantenga alejadas fuentes de fuego abiertas, ventile a fondo la habitación y no conecte o desconecte los cables de alimentación de este o cualquier otro electrodoméstico. Informe al servicio de atención al cliente.

En caso de que los ojos entren en contacto con el refrigerante, enjuáguelos inmediatamente con agua corriente y llame inmediatamente a un oftalmólogo.

ADVERTENCIA: El sistema de refrigeración está bajo alta presión. No lo fuerce. Dado que se utilizan refrigerantes inflamables, siga estrictamente las instrucciones de instalación, manipulación y mantenimiento del electrodoméstico y póngase en contacto con un técnico profesional o con nuestro servicio posventa para desecharlo.

Uso previsto


Este electrodoméstico está diseñado para uso doméstico y aplicaciones similares, tales como:

- Cocinas para personal en tiendas, oficinas y otros entornos de trabajo.
 - Granjas y el uso por clientes en hoteles, moteles y otros entornos de tipo residencial.
 - Entornos tipo pensión.
 - Catering y aplicaciones similares no minoristas.
- ▶ Para garantizar la conservación segura del vino, siga las instrucciones de uso.
 - ▶ Los detalles sobre la zona de almacenamiento más apropiada para determinados tipos de alimentos, teniendo en cuenta la distribución de la temperatura en los distintos compartimentos del electrodoméstico, se encuentran en la otra parte del manual.

No se permite realizar cambios o modificaciones en el electrodoméstico. Un uso no previsto puede causar riesgos y la pérdida de reclamaciones de garantía.

Eliminación



El símbolo  presente en el producto o en su embalaje indica que este producto no puede ser tratado como residuo doméstico. Por el contrario, debe llevarse al punto de recogida pertinente para el reciclado de equipos eléctricos y electrónicos. Asegurándose de que este producto se elimina correctamente, ayudará a evitar posibles consecuencias negativas para el medio ambiente y la salud humana, provocadas por una eliminación inadecuada de este producto. Para obtener información más detallada sobre el reciclaje de este producto, póngase en contacto con los profesionales de su ayuntamiento, su servicio de eliminación de residuos domésticos o la tienda donde compró el producto.

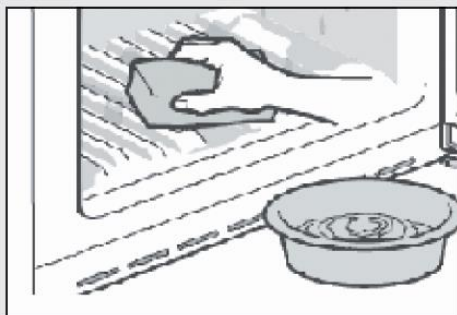
Dado que se utilizan gases expansivos de aislamiento inflamables, póngase en contacto con un técnico profesional o con nuestro servicio posventa para desecharlo.

ADVERTENCIA!

Peligro de lesiones o asfixia!

Los refrigerantes y los gases deben desecharse de forma profesional. Asegúrese de que la tubería del circuito refrigerante no está dañada antes de desecharla adecuadamente. Desconecte el electrodoméstico de la red eléctrica. Corte el cable de red y deséchelo. Retire las bandejas y los cajones, así como el pestillo de la puerta y las juntas, para evitar que los niños y las mascotas se queden encerrados en el electrodoméstico.

- ▶ **ADVERTENCIA:** Desconecte el electrodoméstico de la fuente de alimentación antes de limpiarlo.
- ▶ No limpie el electrodoméstico con cepillos duros, cepillos de alambre, detergente en polvo, gasolina, acetato de amilo, acetona y soluciones orgánicas similares, soluciones ácidas o alcalinas. Limpie con un detergente especial para frigoríficos para evitar daños.
- ▶ Limpie el electrodoméstico solo cuando haya poco o ningún vino guardado. Solo es necesario limpiarlo cuando está sucio.
- ▶ Limpie el interior y el armazón del electrodoméstico con una esponja humedecida en agua tibia y detergente neutro.
- ▶ Enjuague con agua tibia limpia y seque con un paño seco.
- ▶ No limpie ninguna de las piezas o partes de este electrodoméstico en un lavavajillas.
- ▶ Deje pasar al menos 7 minutos antes de reiniciar el electrodoméstico, ya que el arranque frecuente puede dañar el compresor.



Limpieza de la junta de la puerta:

- ▶ Las juntas de la puerta deben limpiarse para asegurar un buen sellado.

Como se indica a continuación: Extracción: Agarre la junta de la puerta y tire de ella de acuerdo con la dirección que indica la flecha para sacar toda la junta de la puerta. Sumerja el cepillo con agua o alcohol de grado alimenticio y limpie la junta de la puerta primero moviendo el cepillo



hacia atrás y hacia fuera. Luego limpie la superficie de la junta de la puerta con un trapo empapado en agua o alcohol de grado alimenticio. Finalmente, lave la junta de la puerta y séquela con un trapo limpio.

Instalación de la junta de la puerta después de la limpieza:

Antes de la instalación, asegúrese de que no haya agua en la junta. Introduzca la junta de la puerta en la ranura y presione firmemente con la mano de la parte superior a la parte inferior hasta que toda la junta se inserte en la ranura.

Limpieza de los estantes:

Todos los estantes se pueden sacar para su limpieza.

Saque todas las botellas.

Levante un poco cada estante y extráigalo.

Limpie el estante con un trapo suave.

Espere a que los estantes estén secos antes de volver a colocarlos.

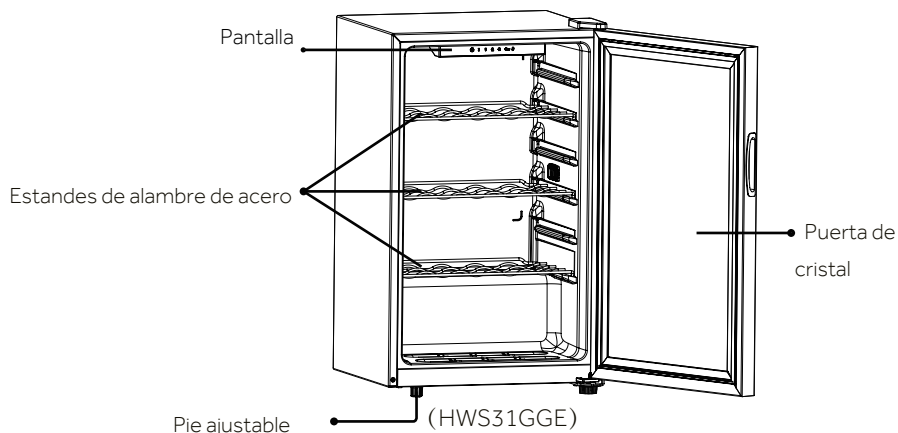
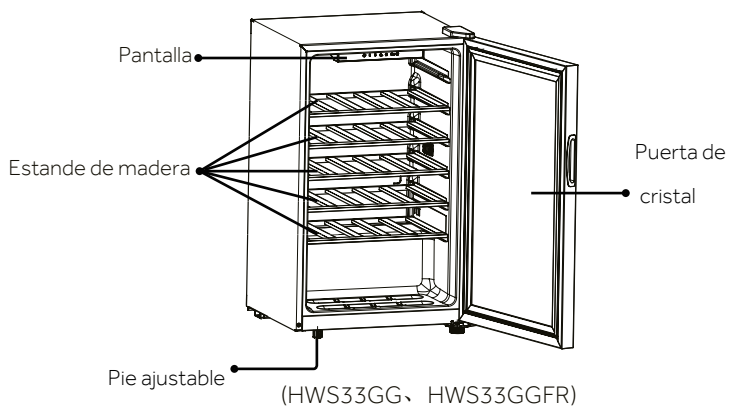
Compruebe los accesorios y guías de acuerdo con esta lista:
sin aislamiento.

Cantidad	Nombre	Guía de usuario	Kit de información	Estantes de vino	Estantes de alambre de acero
Model de producto					
	HWS33GG	1	1	5	0
	HWS31GGE	1	1	0	3
	HWS33GGFR	1	1	5	0

Aviso

Debido a cambios técnicos y a las diferencias entre modelos, algunas de las ilustraciones de este manual pueden diferir de su modelo.

Imagen del electrodoméstico



Este producto contiene una fuente luminosa de clase de eficiencia energética G.

1. Desempaquetado

- ▶ Saque el electrodoméstico de su embalaje.
- ▶ Retire todos los materiales de embalaje, incluyendo la base de espuma y toda la cinta adhesiva que sujeta los accesorios.

2. Condiciones ambientales

La temperatura ambiente debería encontrarse siempre entre 16°C y 38°C, ya que puede influir en la temperatura del interior del aparato y en su consumo de energía. No instale el electrodoméstico cerca de otros electrodomésticos emisores de calor (hornos, neveras) sin aislamiento.

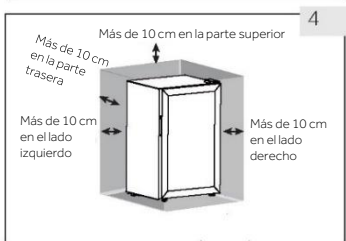
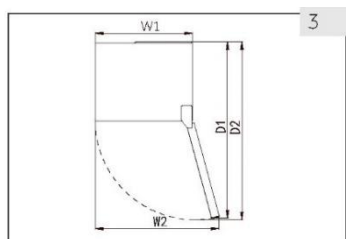
3. Requisitos de espacio

Espacio necesario para abrir la puerta (Fig. 3):

Ancho en mm		Profundidad en mm	
W1	W2	D1	D2
499	633	905	919

4. Espacio de ventilación

Por razones de seguridad y energía, debe respetarse la distancia de ventilación necesaria de 10 cm en todas direcciones (Fig. 4).



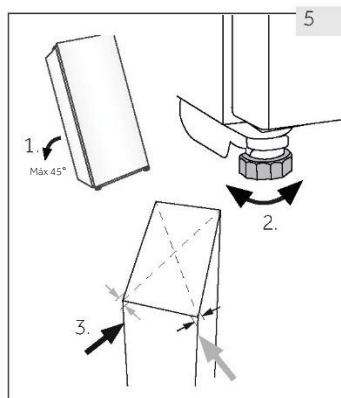
ADVERTENCIA!

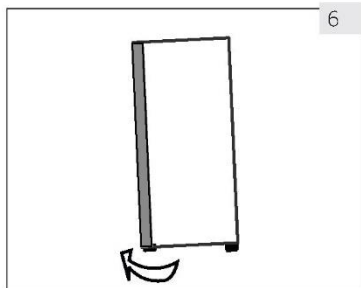
- ▶ No obstruya las aberturas de ventilación del armazón del electrodoméstico o de la estructura integrada. Este electrodoméstico de refrigeración no está diseñado para ser utilizado como un electrodoméstico integrado.

5. Nivelación del electrodoméstico

Este electrodoméstico debe colocarse sobre una superficie plana y sólida.

1. Inclíne el electrodoméstico ligeramente hacia atrás (Fig. 5).
2. Ajuste las patas delanteras ajustables al nivel deseado haciéndolas girar.
3. Puede comprobarse la estabilidad golpeando alternativamente las diagonales. El ligero bamboleo debe ser el mismo en ambas direcciones. De lo contrario, el marco puede deformarse y resultar en fugas en las juntas de la puerta. Una ligerísima inclinación hacia atrás facilita el cierre de la puerta.





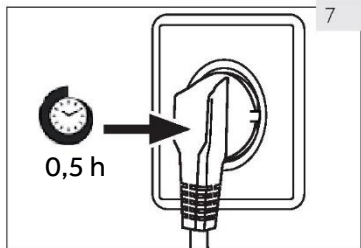
6

6. Ajuste de la puerta

El electrodoméstico se cierra más fácilmente si se utilizan las patas ajustables situadas en la parte delantera:

Gire las patas ajustables (Fig. 6) para elevarlas o bajarlas:

- ▶ Girar las patas en sentido horario eleva el electrodoméstico.
- ▶ Girar las patas en sentido antihorario baja el electrodoméstico.



7

7. Tiempo de espera

El aceite de lubricación sin mantenimiento se encuentra en la cápsula del compresor. Este aceite puede pasar por el sistema de tuberías cerradas durante el transporte si el electrodoméstico está inclinado. Antes de conectar el electrodoméstico a la fuente de alimentación, espere 0,5 horas (Fig. 7) para que el aceite vuelva a entrar en la cápsula.

8. Conexión eléctrica

Antes de cada conexión, compruebe si:

- ▶ La fuente de alimentación, la toma de corriente y el fusible son adecuados para la placa de clasificación.
- ▶ La toma de corriente tiene conexión a tierra y no tiene múltiples contactos ni extensiones.
- ▶ El enchufe y la toma de corriente están bien ajustados.

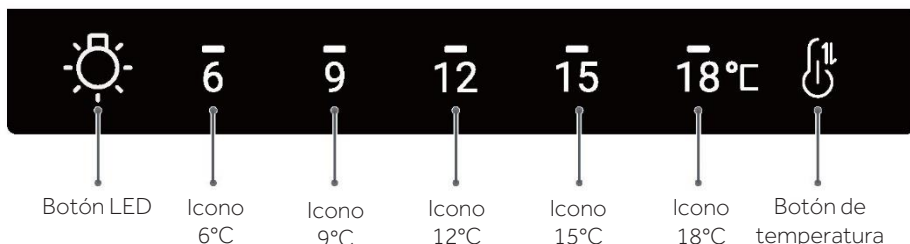
Conecte el enchufe a una toma de corriente doméstica correctamente instalada.



ADVERTENCIA!

Para evitar riesgos, solo el servicio de atención al cliente debe reemplazar un cable de alimentación dañado (ver tarjeta de garantía).

Panel de control



El rango de temperatura de la pantalla es de 6-18°C

La temperatura de ajuste por defecto es de 12°C

Puede ajustar la temperatura en función de sus necesidades de conservación del vino.

1. Ajustes de temperatura

Pulse el "botón de temperatura" para que se ilumine el icono superior del nivel de temperatura de ajuste actual; vuelva a pulsar el "botón de temperatura" y aumente la temperatura en un paso hasta un total de 5 pasos. Cuando la temperatura alcance los 18°C, y si sigue aumentándola, ésta cambiará a 6°C, y se volverá a repetir el ciclo. Al seleccionar el nivel deseado y se detiene la operación durante 5 segundos, el sistema vuelve automáticamente a los parámetros de ajuste actuales.

2. Luz interior

Pulse el "botón de iluminación" una vez para que se encienda la luz del armario; vuelva a pulsar el "botón de iluminación" para que las luces del armario se apaguen y se reinicie el ciclo de operación del botón.

3. Función de memoria de apagado

Se memorizará el ajuste de la temperatura del armario. Después de volver a enchufarlo, el aparato volverá a la configuración previa al encendido.



Consejos de ahorro de energía

- ▶ Asegúrese de que el electrodoméstico esté bien ventilado (vea INSTALACIÓN).
- ▶ No instale el electrodoméstico bajo la luz directa del sol o cerca de fuentes de calor (p. ej.: fogones, estufas...).
- ▶ Evite una temperatura innecesariamente baja en el electrodoméstico. El consumo de energía aumenta la temperatura del electrodoméstico.
- ▶ Abra la puerta del aparato lo menos y más brevemente posible
- ▶ No supere la cantidad de botellas para la que está diseñado este electrodoméstico para evitar obstruir el flujo de aire.
- ▶ Mantenga las juntas de la puerta limpias para que la puerta se cierre siempre correctamente.
- ▶ La configuración que ahorra más energía requiere que los estantes se coloquen en el electrodoméstico según el estado de fábrica, y que el vino se coloque de modo que no bloquee la salida de aire del conducto.

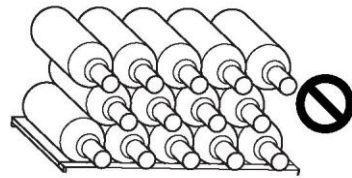
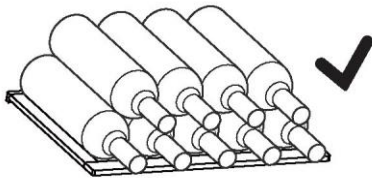
1. Estante

1. Los estantes están diseñados para almacenar y extraer fácilmente el vino. Se pueden limpiar con un trapo suave.
2. Se pueden apilar botellas normales de 76 mm de diámetro.
3. Las botellas Magnum se pueden apilar en la parte inferior.
4. La cantidad puede variar del número indicado o de las botellas si se apilan de forma diferente.



Precauciones de uso de la bodega de vino

No coloque demasiado vino en la bodega para no superar la capacidad de carga de los estantes. No coloque más de tres filas de vino en cada estante. Recomendamos que el número de botellas de vino no supere las dos filas en cada estante y que el peso a soportar por los estantes no supere los 15 kg.

Antes de colocar las botellas en la bodega, confirme si los estantes son o no completamente estables. Además, compruebe que ninguna botella sobresalga de los estantes para evitar que ninguna botella golpee la puerta de cristal al cerrarse.



2. La luz

Mientras la puerta está abierta, pulse el botón de la luz  para encender la luz; vuelva a pulsar el botón de la luz  para apagarla.

3. Descongelación automática

Este electrodoméstico cuenta con una función de descongelación automática. Durante el uso, asegúrese de que el orificio de drenaje no esté obstruido para que el agua de descongelación fluya sin problemas a través del orificio de drenaje hacia el recipiente colector de agua dentro de la cabina de la bodega. Limpie regularmente los recipientes colectores de agua situados en el fondo de los compartimentos; utilice un paño seco para absorber el agua del interior de los recipientes y límpielos (se recomienda limpiarlos cada tres meses).

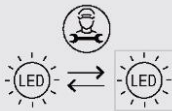
1. Descongelación

La descongelación de la bodega se realiza automáticamente; no se requiere ninguna operación manual.

2. Sustitución de la lámpara LED

La lámpara utiliza LED como fuente de luz, con bajo consumo energético y larga vida útil. Si detecta alguna anomalía, póngase en contacto con el servicio de atención al cliente. Vea ATENCIÓN AL CLIENTE.

¡ADVERTENCIA!



No cambie la lámpara LED usted mismo. Solo debe cambiarla el fabricante o un técnico autorizado.

Parámetros de la lámpara LED:

Tensión 12V; Potencia máxima: 2W

3. Si no lo usa durante un largo periodo de tiempo

Desenchufe el cable de la toma de corriente.

Limpie el electrodoméstico y las juntas de la puerta como se ha descrito anteriormente.

Mantenga las puertas abiertas para evitar que se generen malos olores en el interior.

4. Desplazar el electrodoméstico

1. Retire todas las botellas y desenchufe el electrodoméstico.
2. Fije los estantes y otras partes móviles a la bodega con cinta adhesiva.
3. No incline la bodega más de 45° para evitar dañar el sistema de refrigeración.

Usted mismo puede resolver muchos de los problemas que puedan presentarse sin tener conocimientos específicos. En caso de que se produzca algún problema, compruebe todas las posibilidades ilustradas y siga las instrucciones pertinentes antes de ponerse en contacto con un servicio posventa. Vea ATENCIÓN AL CLIENTE.



ADVERTENCIA!

- ▶ Antes de realizar tareas de mantenimiento, desactive el electrodoméstico y desconecte el enchufe de la toma de corriente.
- ▶ Los equipos eléctricos solo deben ser revisados y manejados por electricistas expertos cualificados, ya que las reparaciones incorrectas pueden causar daños considerables en consecuencia.
- ▶ Si el sistema de alimentación está dañado, debe ser sustituido por el fabricante, por su servicio técnico o por cualquier profesional cualificado similar para evitar riesgos.

Código de error	Causa	Solución
Parpadea el icono "9"	Fallo del sensor de refrigeración.	Contacte con el servicio posventa.
Parpadea el icono "12"	Alarma criogénica del sensor de refrigeración	Contacte con el servicio posventa.

Problema	Causa posible	Solución posible
Se forma escarcha en la parte posterior del compartimento interior?	<ul style="list-style-type: none"> Los tubos de refrigeración están dispuestos en la parte posterior del revestimiento interior del armario para vinos. 	<ul style="list-style-type: none"> Se trata de un efecto normal. El armario producirá automáticamente escarcha sin afectar al uso normal.
Demasiado ruido?	<ul style="list-style-type: none"> Colocación inestable. 	<ul style="list-style-type: none"> Ajuste el pie inferior ajustable para mantener el armario estable. Asegúrese de que el armario no toque otros objetos o con las paredes.
Sonido del líquido que circula por el armario?	<ul style="list-style-type: none"> Sonido del flujo de refrigerante en la tubería de circulación del sistema de refrigeración. 	<ul style="list-style-type: none"> Se trata de un efecto normal.
El armario del vinos no funciona?	<ul style="list-style-type: none"> Conexión entre el enchufe del armario de vinos y la toma de corriente. Modo de protección del compresor. 	<ul style="list-style-type: none"> Asegúrese de que el enchufe del armario para vinos está bien conectado a la toma de corriente; La toma de corriente tiene corriente; El fusible de la toma de corriente o el interruptor automático no han saltado. El compresor cuenta con un modo de protección con un intervalo de 7 minutos.
Por qué hay ligeros rebordes en ambos lados de la caja?	<ul style="list-style-type: none"> Se trata de un fenómeno de expansión y contracción provocado por el calor. 	<ul style="list-style-type: none"> Se trata de un efecto normal. El objetivo es garantizar una buena disipación del calor y una alta eficiencia de funcionamiento del armario para vinos.
El marco de la puerta no queda bien cerrado, ¿se produce una fuga de aire?	<ul style="list-style-type: none"> Después de utilizar el producto durante un período de tiempo, es probable que la junta de la puerta se endurezca y se deforme debido a la baja temperatura del armario. 	<ul style="list-style-type: none"> Caliente la zona deformada con un secador de pelo o cubra la zona deformada con una toalla caliente. Cierre bien la puerta cuando la junta de la puerta esté blanda.
El compresor permanece en funcionamiento durante mucho tiempo?	<ul style="list-style-type: none"> No se ha cerrado la puerta del armario o se ha abierto demasiadas veces? Meter demasiadas bebidas de una vez. Se ha ajustado el armario a un nivel demasiado bajo? 	<ul style="list-style-type: none"> Cierre bien la puerta o reduzca el número de veces que la abre. No meta demasiadas bebidas de una sola vez, y deje un espacio entre ellas. Se puede ajustar la configuración del armario de forma adecuada.

Problema	Causa posible	Solución posible
Cuando el armario de vinos está en marcha, hace un ruido de "clic"?	<ul style="list-style-type: none"> • Debido a los cambios de temperatura, los distintos materiales sufren dilataciones y contracciones térmicas. Durante el uso, ruido causado la acción del relé y otros componentes eléctricos. 	<ul style="list-style-type: none"> • Se trata de un efecto normal.
El armario del vino no puede enfriarse bien?	<ul style="list-style-type: none"> • Si el ajuste de la temperatura es demasiado alto. • El armario está expuesto a la luz directa del sol o a fuentes de calor cercanas. • Hay bebidas calientes en el armario de vinos. • Las bebidas en el armario del vino están demasiado llenas. • La puerta del armario de vinos se abre o se cierra con frecuencia. 	<ul style="list-style-type: none"> • Ajuste de temperatura más bajo. • Evite la luz solar directa y manténgalo alejado de fuentes de calor. • Las bebidas no deben estar muy calientes. • No deben meterse demasiadas bebidas en una sola vez. • Por favor, cierre bien la puerta o reduzca el número de veces que la abre.
Hay un olor peculiar en el armario de vinos?	<ul style="list-style-type: none"> • Un armario de vinos recién comprado huele a espuma o a plástico. 	<ul style="list-style-type: none"> • Se trata de un fenómeno normal y el olor desaparecerá lentamente con el uso. • Por favor, compruebe regularmente si hay bebidas dañadas en el armario. • Las bebidas olorosas deberán estar bien envueltas en bolsas de plástico. • El armario de vinos debe limpiarse regularmente.
Hay condensación en la puerta del armario de vinos?	<ul style="list-style-type: none"> • Si la puerta se abre con demasiada frecuencia o se mantiene abierta durante mucho tiempo. • La configuración de temperatura en el armario es demasiado baja. • Temperatura y humedad ambiental elevadas. 	<ul style="list-style-type: none"> • Por favor, cierre bien la puerta o reduzca el número de veces que la abre. • La temperatura en el armario no debe ser demasiado baja. • Por favor, séquelo con un paño seco.
La luz no se enciende?	<ul style="list-style-type: none"> • Está enchufado a la corriente eléctrica? • Está dañada la lámpara? 	<ul style="list-style-type: none"> • Compruebe la alimentación de energía. • Compruebe el estado de la lámpara.

Para contactar con el servicio de asistencia técnica, visite nuestro sitio web:

<https://corporate.haier-europe.com/en/>

En la sección "website", elija la marca de su producto y su país. Se le redirigirá a la página web específica donde podrá encontrar el número de teléfono y el formulario para ponerse en contacto con el servicio de asistencia técnica.

Ficha del producto conforme al Reglamento UE n.º 2019/2016

Marca	Haier	Haier	Haier
Nombre del modelo/identificador	HWS33GG	HWS31GGE	HWS33GGFR
Capacidad máxima en botellas	33	31	33
Categoría de refrigeración doméstica	I	I	I
Clase de eficiencia energética	G	G	G
Consumo anual de energía(kWh/año)	154	154	154
Volumen de almacenamiento(L)	93	93	93
Clase climática: este aparato destinado a ser utilizado a una temperatura ambiente de entre 16°C y 38°C	ST	ST	ST
Emisiones acústicas transmitidas por aire(db(A) re 1pW)	C(37)	C(37)	C(37)
Tipo de electrodoméstico	Freestanding	Freestanding	Freestanding
Este electrodoméstico está destinado a ser utilizado exclusivamente para el almacenamiento de vino	Si	Si	Si
Tamaño(P/A/A en mm)	455/499/830	455/499/830	455/499/830

1) Basado en los resultados de la prueba estándar de 24 horas. El consumo de energía real depende del entorno real, la cantidad de botellas, la temperatura establecida, la apertura y cierre de la puerta, etc.

2) El consumo energético nominal es el valor obtenido de acuerdo con el ensayo estándar cuando el compartimento del vino no enciende la luz interna y la circulación de aire.

- templado extendido: 'este electrodoméstico de refrigeración está destinado a ser utilizado a una temperatura ambiente comprendida entre 10 °C y 32 °C;
- normal: 'este electrodoméstico de refrigeración está destinado a ser utilizado a una temperatura ambiente comprendida entre 16 °C y 32 °C;
- subtropical: 'este electrodoméstico de refrigeración está destinado a ser utilizado a una temperatura ambiente comprendida entre 16 °C y 38 °C;
- tropical: 'este electrodoméstico de refrigeración está destinado a ser utilizado a una temperatura ambiente comprendida entre 16 °C y 43 °C;

Normas y directivas

Este producto cumple los requisitos de todas las directivas CE aplicables con las correspondientes normas acordadas, que establecen el mercado CE.

Recomendamos nuestro Servicio de atención al cliente Haier y el uso de repuestos originales. Si tiene algún problema con su electrodoméstico, compruebe primero la sección **SOLUCIÓN DE PROBLEMAS**. Si no encuentra una solución allí, póngase en contacto con

- ▶ su distribuidor local o
- ▶ con el área de servicio y asistencia en www.haier.com, donde puede encontrar números de teléfono y preguntas frecuentes y activar la solicitud de servicio.

Para ponerse en contacto con nuestro Servicio, asegúrese de tener los siguientes datos disponibles.

Puede encontrar la información en la placa de datos.

Modelo _____ N.º de serie _____

Compruebe también la tarjeta de garantía suministrada con el producto en caso de garantía.

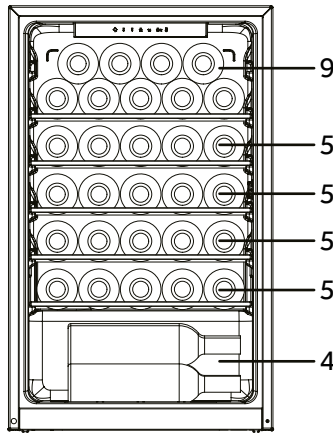
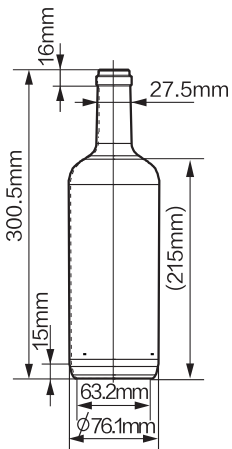
Para consultas comerciales generales, estas son nuestras direcciones en Europa:

Direcciones de Haier en Europa			
País*	Dirección postal	País	Dirección postal
Italia	Haier Europe Trading SRL Via De Cristoforis, 12 21100 Varese ITALY	Francia	Haier Europe Trading SRL Via De Cristoforis, 12 21100 Varese ITALY
España Portugal	Haier Iberia SL Pg. Garcia Faria, 49-51 08019 Barcelona SPAIN	Bélgica-FR Bélgica-NL Países Bajos Luxemburgo	Haier Benelux SA Anderlecht Route de Lennik 451 BELGIUM
Alemania Austria	Haier Deutschland GmbH Hewlett-Packard-Str. 4 D-61352 Bad Homburg GERMANY	Polonia República Checa Hungría Grecia	Haier Poland Sp. zo.o. Al. Jerozolimskie 181B 02-222 Warszawa POLAND
Reino Unido	Haier Appliances UK Co. Ltd. One Crown Square Church Street East Woking, Surrey, GU21 6HR UK	Rumanía Rusia	

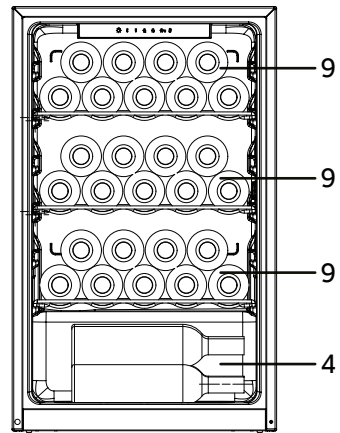
DISPONIBILIDAD DE PIEZAS DE REPUESTO: Los termostatos, los sensores de temperatura, las placas de circuito impresas y las fuentes de luz están disponibles durante un período mínimo de 7 años después de la comercialización de la última unidad del modelo. Las asas, bisagras, bandejas y cestas lo están durante un período mínimo de 7 años, y las juntas durante un período mínimo de 10 años después de la comercialización de la última unidad del modelo.

La garantía mínima es de: 2 años para los países de la UE, 3 años para Turquía, 1 año para el Reino Unido, 1 año para Rusia, 3 años para Suecia, 2 años para Serbia, 5 años para Noruega, 1 año para Marruecos, 6 meses para Argelia, Túnez sin garantía legal, al no requerirse.

Para más información sobre el producto, consulte <https://eprel.ec.europa.eu/> o escanee el código QR en la etiqueta energética suministrada con el electrodoméstico.



HWS33GG
HWS33GGFR
(33 bottle capacity)



HWS31GGE
(31 bottle capacity)



Instrukcja obsługi

Chłodziarka do wina

HWS33GG
HWS31GGE
HWS33GGFR

PL

Haier

Dziękujemy za zakup produktu firmy Haier.

Przed użyciem urządzenia należy dokładnie przeczytać niniejsze instrukcje. Instrukcje zawierają ważne informacje, które pomogą możliwie najlepiej wykorzystać funkcje urządzenia, bezpiecznie i prawidłowo je zainstalować, eksploatować oraz konserwować.

Niniejszą instrukcję obsługi należy przechowywać w dostępnym miejscu, aby móc z niej zawsze skorzystać w celu bezpiecznego i właściwego użytkowania urządzenia.

Przy sprzedaży urządzenia należy do niego dołączyć niniejszą instrukcję obsługi, a w przypadku przeprowadzki przekazać ją nowemu właścicielowi, aby mógł się zapoznać z urządzeniem i ostrzeżeniami dotyczącymi bezpieczeństwa.



Legenda

Ostrzeżenie – ważne informacje dotyczące bezpieczeństwa



Ogólne informacje i wskazówki



Informacje dotyczące ochrony środowiska



Utylizacja

Pomóż chronić środowisko i ludzkie zdrowie. Wyrzuć opakowanie do odpowiednich pojemników do recyklingu. Pomóż recyklingować odpady z urządzeń elektrycznych i elektronicznych. Nie wyrzucaj urządzeń oznaczonych tym symbolem razem z odpadami domowymi. Oddaj produkt do miejscowego zakładu recyklingu lub skontaktuj się z urzędem miejskim.



OSTRZEŻENIE!

Ryzyko obrażeń lub uduszenia!

Czynniki chłodnicze i gazy muszą być utylizowane w profesjonalny sposób. Przed utylizacją upewnij się, że przewody układu chłodniczego nie są uszkodzone. Odłącz urządzenie od zasilania sieciowego. Odetnij przewód zasilający i zutylizuj go. Usuń tace i szuflady oraz zamek drzwi i uszczelki, aby zapobiec zamknięciu się dzieci i zwierząt w urządzeniu.

Stare urządzenia nadal mają pewną wartość rezydualną. Dzięki przyjaznej dla środowiska metodzie utylizacji cenne surowce mogą być odzyskane i ponownie wykorzystane.

Cyklopentan, substancja palna nieszkodliwa dla ozonu, jest stosowany jako środek porotwórczy do wytwarzania pianki izolacyjnej.

Zapewniając prawidłową utylizację urządzenia, pomagasz zapobiegać ewentualnym negatywnym konsekwencjom dla środowiska i zdrowia ludzkiego.

Więcej informacji na temat recyklingu tego produktu można uzyskać, kontaktując się z samorządem lokalnym, służbami zajmującymi się utylizacją odpadów lub prowadzonym przez specjalistów sklepem, z którego pochodzi produkt.

1 - Informacje dotyczące bezpieczeństwa.....	4
2 - Wskazówki dotyczące bezpieczeństwa.....	6
3 - Konserwacja.....	11
4 - Akcesoria.....	12
5 - Opis produktu.....	14
6 - Instalacja.....	15
7 - Użytkowanie.....	17
8 - Wskazówki dotyczące oszczędzania energii.....	18
9 - Wyposażenie.....	19
10 - Pielęgnacja i czyszczenie.....	20
11 - Usuwanie usterek.....	21
12 - Dane techniczne.....	25
13 - Obsługa klienta.....	26
14 - Układanie butelek wina w stos.....	27

To urządzenie jest przeznaczone wyłącznie do przechowywania wina. Przed włączeniem urządzenia po raz pierwszy, przeczytaj poniższe wskazówki dotyczące bezpieczeństwa:



OSTRZEŻENIE!

Przed pierwszym użyciem

- ▶ Upewnić się, że nie ma uszkodzeń powstałych podczas transportu.
- ▶ Usuń wszelkie opakowania, trzymaj je w miejscu niedostępnym dla dzieci i zutylizuj w sposób przyjazny dla środowiska.
- ▶ Odczekaj co najmniej dwie godziny przed zainstalowaniem urządzenia, aby upewnić się, że obieg chłodniczy jest w pełni efektywny.
- ▶ Zawsze przenosić urządzenie z pomocą co najmniej dwóch osób, ponieważ jest ono ciężkie.

Instalacja

- ▶ Urządzenie powinno być umieszczone w dobrze wentylowanym miejscu. Zapewnij przestrzeń co najmniej 10 cm nad urządzeniem i wokół niego.
- ▶ **OSTRZEŻENIE:** Należy dbać o drożność otworów wentylacyjnych w obudowie urządzenia wolnostojącego lub w konstrukcji do zabudowy.
- ▶ Nigdy nie należy umieszczać urządzenia w wilgotnym miejscu lub w takim, w którym może być ochlapane wodą. Zetrzyj plamy i zachlapania do sucha miękką i czystą ściereczką.
- ▶ Nie instaluj piwniczki na wino w miejscu, które nie jest odpowiednio izolowane lub ogrzewane (np. garaż itp.). Twoja piwniczka na wino nie została zaprojektowana do pracy w temperaturze otoczenia poniżej 16°C.
- ▶ Nie należy instalować urządzenia w bezpośrednim świetle słonecznym lub w pobliżu źródeł ciepła (np. pieców, grzejników).
- ▶ Zainstalować i wypoziomować urządzenie w miejscu odpowiednim dla jego wielkości i przeznaczenia.
- ▶ Upewnić się, że informacje dotyczące elektryki na tabliczce znamionowej są zgodne z parametrami zasilania. Jeśli tak nie jest, należy się skontaktować z elektrykiem.

**OSTRZEŻENIE!**

- ▶ Urządzenie zasilane jest napięciem 220-240 V/50 Hz. Odbiegające od normy wahania napięcia mogą spowodować niewłczenie się urządzenia albo uszkodzenie regulatora temperatury lub sprężarki. Mogą też być przyczyną nietypowego hałasu podczas pracy. W takim przypadku powinien zostać zamontowany automatyczny regulator.
- ▶ Nie używaj adapterów wtyczek i przedłużaczy.
- ▶ **OSTRZEŻENIE:** Za urządzeniem nie powinna się znajdować większa liczba listew zasilających ani przenośnych zasilaczy.
- ▶ **OSTRZEŻENIE:** Podczas ustawiania urządzenia należy się upewnić, że kabel zasilający nie został przygnieciony ani uszkodzony.
- ▶ Nie stawaj na przewodzie zasilającym.
- ▶ Używaj oddzielnego, łatwo dostępnego i uziemionego gniazdka. Urządzenie musi być uziemione.
- ▶ Tylko dla Wielkiej Brytanii: wtyczka (uziemiająca) pasująca do standardowego 3-przewodowego (uziemionego) gniazda. Nigdy nie odcinać ani nie wyjmować trzeciego bolca (z uziemieniem). Po zainstalowaniu urządzenia, wtyczka powinna być dostępna.
- ▶ **OSTRZEŻENIE:** Uważać, aby nie uszkodzić obwodu chłodniczego.

Codziennie użytkowanie

- ▶ Urządzenie może być obsługiwane przez dzieci powyżej 8 roku życia i przez osoby o ograniczonych możliwościach fizycznych, sensorycznych lub umysłowych lub osoby nieposiadające doświadczenia ani wiedzy pod warunkiem, że są one pod odpowiednim nadzorem lub zostały poinstruowane, jak bezpiecznie obsługiwać urządzenie i rozumieją związane z nim zagrożenia.
- ▶ Dzieci nie powinny bawić się urządzeniem.
- ▶ Dzieciom w wieku od 3 do 8 lat zezwala się na załadunek i rozładunek urządzeń chłodniczych, ale nie wolno im ich czyścić i instalować.
- ▶ Trzymaj z dala od urządzenia dzieci poniżej 3 roku życia, chyba że są pod stałym nadzorem.

**OSTRZEŻENIE!**

- ▶ Czyszczenie i konserwacja nie mogą być wykonywane przez dzieci bez dozoru
- ▶ Urządzenie musi być ustawione tak, aby wtyczka była dostępna.
- ▶ Jeśli gaz węglowy lub inny łatwopalny gaz wycieka w pobliżu urządzenia, zamknij zawór wyciekającego gazu, otwórz drzwi oraz okna i nie odłączaj ani nie podłączaj kabla zasilającego urządzenia.
- ▶ Odczekaj co najmniej 7 minut, aby ponownie podłączyć zasilanie po jego odłączeniu.
- ▶ Nie podnoś urządzenia za klamki drzwi.
- ▶ Należy pamiętać, że urządzenie jest przeznaczone do pracy w zakresie temperatur otoczenia od 16°C do 38°C. Urządzenie może nie działać prawidłowo, jeśli jest pozostawione na dłuższy czas w temperaturze powyżej lub poniżej wskazanego zakresu.
- ▶ Na urządzeniu nie należy umieszczać niestabilnych przedmiotów (ciężkich przedmiotów, pojemników wypełnionych wodą), aby uniknąć obrażeń ciała spowodowanych upadkiem lub porażeniem prądem elektrycznym w wyniku kontaktu z wodą.
- ▶ Otwieraj i zamykaj drzwi tylko za pomocą klamek. Szczelina między drzwiami a komorą jest bardzo wąska. Nie trzymaj rąk w tych obszarach, aby uniknąć przycięcia palców. Otwieraj i zamykaj drzwi urządzenia tylko wtedy, gdy nie ma dzieci stojących w obrębie ruchu drzwi.
- ▶ Nie przechowuj ani nie używaj materiałów łatwopalnych, wybuchowych lub żrących w urządzeniu lub w jego sąsiedztwie.
- ▶ Nie przechowuj w urządzeniu substancji wybuchowych takich jak aerozole w puszcze z łatwopalnymi gazami nośnymi.
- ▶ Nie należy przechowywać w urządzeniu leków, bakterii lub substancji chemicznych. To urządzenie służy do użytku domowego. Nie zaleca się przechowywania materiałów, które wymagają ściśle określonej temperatury.
- ▶ Nie ustawiaj niepotrzebnie niskiej temperatury w komorze na wino. Ujemne temperatury mogą wystąpić przy wysokich ustawieniach. Uwaga: Butelki mogą wybuchnąć.
- ▶ Nie dotykaj wnętrza komory podczas pracy, zwłaszcza mokrymi rękami, ponieważ mogą one przymarznąć do jej powierzchni.

**OSTRZEŻENIE!**

- ▶ W celu zapewnienia prawidłowego chłodzenia wina nie należy przeladowywać urządzenia.
- ▶ Odłącz urządzenie w przypadku przerwy w zasilaniu lub przed czyszczeniem. Nie uruchamiaj ponownie urządzenia przez co najmniej 7 minut, ponieważ szybkie włączenie może doprowadzić do uszkodzenia sprężarki.
- ▶ **OSTRZEŻENIE:** Nie używaj urządzeń elektrycznych w komorze urządzenia, chyba, że są rekomendowane przez producenta. Aby uniknąć ryzyka, uszkodzony przewód zasilający musi być wymieniony przez serwis (zob. karta gwarancyjna).
- ▶ Aby przedłużyć żywotność urządzenia, należy unikać jego wyłączania.
- ▶ Nigdy nie należy ustawiać urządzenia poziomo na ziemi. Po przechyleniu urządzenia o więcej niż 45° należy odczekać 0,5 godziny przed jego podłączeniem.

Konserwacja / czyszczenie

- ▶ Upewnij się, że dzieci są nadzorowane podczas czyszczenia i konserwacji urządzenia.
- ▶ Przed przystąpieniem do rutynowej konserwacji należy odłączyć urządzenie od zasilania elektrycznego. Nie uruchamiaj ponownie urządzenia przez co najmniej 7 minut, ponieważ szybkie włączenie może doprowadzić do uszkodzenia sprężarki.
- ▶ Podczas odłączania urządzenia trzymaj za wtyczkę, a nie za przewód.
- ▶ Nie czyść urządzenia za pomocą twardych szczotek, szczotek drucianych, detergentów proszkowych, benzyny, octanu amylu, acetonu i podobnych roztworów organicznych, kwasu lub roztworów alkalicznych. Do czyszczenia należy używać specjalnego detergentu do lodówek/zamrażarek, aby uniknąć uszkodzenia. Można użyć ciepłej wody i roztworu sody oczyszczonej – około jedna łyżka stołowa sody oczyszczonej na litr/kwartę wody. Dokładnie spłucz wodą i wytrzyj do sucha. Nie używaj proszków czyszczących ani innych środków czyszczących o właściwościach ściernych. Nie myj wyjmowanych części urządzenia w zmywarce.

- ▶ **OSTRZEŻENIE:** Nie używać urządzeń mechanicznych ani innych środków do przyspieszania procesu rozmrażania, chyba że są one zalecane przez producenta.
- ▶ Jeśli kabel zasilający ulegnie uszkodzeniu, dla bezpieczeństwa należy zlecić jego wymianę producentowi, autoryzowanemu serwisowi lub osobom o podobnych kwalifikacjach.
- ▶ Nie należy próbować samodzielnie naprawiać, demontować ani modyfikować urządzenia. W przypadku konieczności naprawy prosimy o kontakt z naszym działem obsługi klienta.
- ▶ Jeśli lampy oświetleniowe ulegną uszkodzeniu, dla bezpieczeństwa należy zlecić ich wymianę producentowi, autoryzowanemu serwisowi lub osobom o podobnych kwalifikacjach.
- ▶ Usuń kurz z tyłu urządzenia co najmniej raz w roku, aby uniknąć zagrożenia ogniem, a także zwiększonego zużycia energii.
- ▶ Nie używaj aerozolu ani nie przepłukuj urządzenia podczas czyszczenia.
- ▶ Nie używaj wody lub pary do czyszczenia urządzenia.
- ▶ Nie czyść zimnych szklanych drzwi gorącą wodą. Nagła zmiana temperatury może spowodować pęknięcie szkła.
- ▶ Jeśli urządzenie nie będzie używane przez dłuższy czas, należy pozostawić je otwarte, aby zapobiec powstawaniu nieprzyjemnych zapachów w jego wnętrzu.

Informacje o gazie chłodzącym



OSTRZEŻENIE!

Urządzenie zawiera łatwopalny czynnik chłodniczy IZOBUTAN (R600a). Upewnij się, że układ chłodniczy nie został uszkodzony podczas transportu lub instalacji. Wyciek czynnika może spowodować uszkodzenie wzroku lub zapalenie. Jeśli wystąpiło uszkodzenie, trzymaj urządzenie z dala od otwartych źródeł ognia, dokładnie przewietrz pomieszczenie, nie podłączaj ani nie odłączaj kabli zasilających tego lub innego urządzenia. Poinformuj obsługę klienta.

W przypadku kontaktu czynnika chłodniczego z oczami natychmiast przepłucz je pod bieżącą wodą i natychmiast

skontaktuj się z okulistą.

OSTRZEŻENIE: Układ chłodniczy jest pod wysokim ciśnieniem. Nie manipuluj nim. Ponieważ stosowane są palne czynniki chłodnicze, urządzenie należy zainstalować, obsługiwać i serwisować ściśle według instrukcji obsługi i skontaktować się z profesjonalnym przedstawicielem lub naszym serwisem posprzedażowym w celu utylizacji urządzenia.

Przeznaczenie


Urządzenie jest przeznaczone do użytku domowego oraz do innych podobnych zastosowań, takich jak

- użytkowanie w pomieszczeniach kuchennych przeznaczonych dla personelu sklepów, w biurach i innych miejscach pracy;
 - użytkowanie w gospodarstwach rolnych i pomieszczeniach dla klientów hoteli, w motelach oraz innych środowiskach mieszkalnych;
 - użytkowanie w pensjonatach;
 - użytkowanie w środowisku cateringowym i przy innych zastosowaniach niehandlowych.
- ▶ Aby zapewnić bezpieczne przechowywanie wina, należy postępować zgodnie z niniejszą instrukcją obsługi.
 - ▶ Szczegółowe informacje na temat najbardziej odpowiedniej części komory urządzenia do przechowywania określonych rodzajów żywności, z uwzględnieniem rozkładu temperatury w poszczególnych przedziałach urządzenia, znajdują się w drugiej części instrukcji.

Zmiany lub modyfikacje urządzenia są niedozwolone. Użycie niezgodne z przeznaczeniem może spowodować zagrożenie i utratę roszczeń gwarancyjnych.

Utylizacja



Symbol  na produkcie lub jego opakowaniu wskazuje, że produkt nie może być traktowany jak odpady gospodarstwa domowego. Należy go oddać do odpowiedniego punktu zbiórki zużytego sprzętu elektrycznego i elektronicznego do recyklingu. Zapewniając prawidłową utylizację urządzenia, pomagasz zapobiegać ewentualnym negatywnym konsekwencjom dla środowiska i zdrowia ludzkiego, które mogą wystąpić na skutek nieprawidłowego przetwarzania odpadów z niniejszego urządzenia. W celu uzyskania bardziej szczegółowych informacji na temat recyklingu tego produktu należy skontaktować się z lokalnym urzędem miasta, służbą utylizacji odpadów domowych lub sklepem, w którym produkt został zakupiony.

W związku z tym, że stosowane są palne gazy izolacyjne, w celu utylizacji urządzenia prosimy o kontakt z profesjonalnym przedstawicielem lub naszym serwisem posprzedażowym.

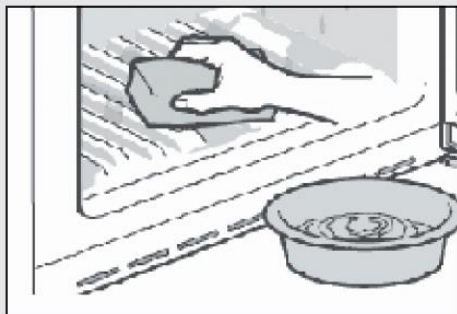
OSTRZEŻENIE!

Ryzyko obrażeń lub uduszenia!

Czynniki chłodnicze i gazy muszą być utylizowane w profesjonalny sposób. Przed utylizacją upewnij się, że przewody układu chłodniczego nie są uszkodzone. Odłącz urządzenie od zasilania sieciowego. Odetnij przewód zasilający i zutylizuj go. Usuń tace i szuflady oraz zamek drzwi i uszczelki, aby zapobiec zamknięciu się dzieci i zwierząt w urządzeniu.

- **OSTRZEŻENIE:** Przed czyszczeniem odłącz urządzenie od zasilania sieciowego.

- ▶ Nie czyść urządzenia za pomocą twardych szczotek, szczotek drucianych, detergentów proszkowych, benzyny, octanu amylu, acetonu i podobnych roztworów organicznych, kwasu lub roztworów alkalicznych. Do czyszczenia należy używać specjalnego detergentu do lodówek, aby uniknąć uszkodzenia.
- ▶ Czyść urządzenie, gdy nie ma w nim wina lub przechowywana jest jego niewielka ilość.
Czyść urządzenie, gdy jest brudne.
- ▶ Czyść wnętrze i obudowę urządzenia gąbką zwilżoną ciepłą wodą i neutralnym detergentem
- ▶ Spłucz czystą, ciepłą wodą i osusz suchą ściereczką.
- ▶ Nie należy myć żadnych części urządzenia w zmywarce do naczyń.
- ▶ Odczekaj co najmniej 7 minut przed ponownym uruchomieniem urządzenia, ponieważ częste uruchamianie może uszkodzić sprężarkę.



Czyszczenie uszczelek drzwi:

- ▶ Uszczelki drzwi powinny być czyszczone, aby zapewnić właściwą szczelność.

Postępuj w niżej opisany sposób: Zdejmowanie: Chwyć za uszczelkę drzwi i wyciągnij ją zgodnie z kierunkiem strzałki. Zanurz szczotkę w wodzie lub alkoholu spożywczym i przesuwając ją w przód i w tył, wyczyść rowek uszczelki drzwi. Następnie przetrzyj powierzchnię uszczelki drzwi ręcznikiem zamoczonym w wodzie lub alkoholu spożywczym. Na koniec umyj uszczelkę drzwi i wytrzyj ją do sucha czystym ręcznikiem.



Zakładanie uszczelki drzwi po czyszczeniu:

Przed założeniem upewnij się, czy uszczelka drzwi jest sucha. Wsuń uszczelkę drzwi w rowek i dociskaj ją ręcznie od góry do dołu, aż do momentu, gdy cała uszczelka zostanie w nim umieszczona.

Czyszczenie półek:

Wszystkie półki można wyjąć w celu ich wyczyszczenia.

Wyjmij wszystkie butelki.

Unieś lekko każdą półkę i ją wyjmij.

Wyczyść półkę miękkim ręcznikiem.

Poczekaj, aż półki wyschną zanim włożysz je ponownie do środka.

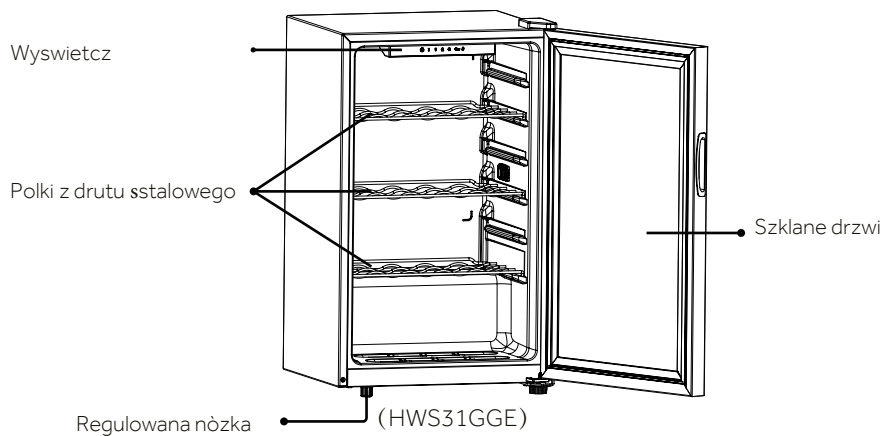
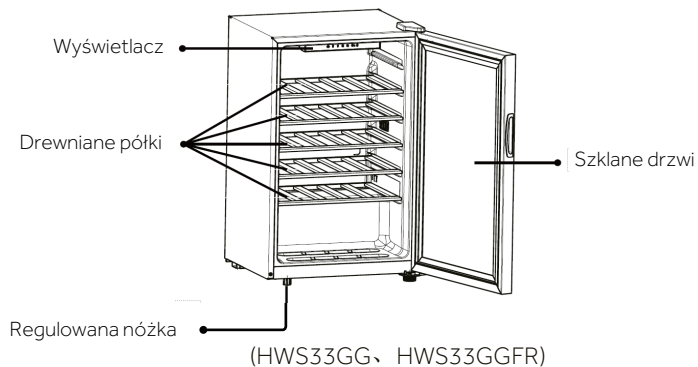
Sprawdź akcesoria i literaturę zgodnie z tą listą: bez izolacji.

Bosc^ / Nazwa Model Produktu	Podręcznik użytkownika	Zestaw informacyjny	Półki na wino	Półki z drutu stalowego
HWS33GG	1	1	5	0
HWS31GGE	1	1	0	3
HWS33GGFR	1	1	5	0

Uwaga

Z powodu zmian technicznych i różnych modeli, niektóre ilustracje w tej instrukcji mogą się różnić od Twojego modelu.

Zdjęcie urządzenia



Ten produkt zawiera źródło światła o klasie efektywności energetycznej G

1. Rozpakowanie

- ▶ Wyjmij urządzenie z opakowania.
- ▶ Usuń wszystkie materiały opakowaniowe, łącznie z podłożem z pianki i taśmą samoprzylepną przytrzymującą akcesoria.

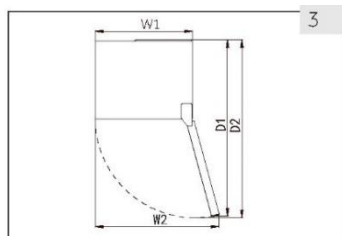
2. Warunki środowiskowe

Temperatura w pomieszczeniu powinna zawsze wynosić od 16°C do 38°C, ponieważ może wpływać na temperaturę wewnątrz urządzenia i zużycie energii. Nie ustawiaj urządzenia w pobliżu innych urządzeń bez izolacji emitujących ciepło (piekarniki, lodówki).

3. Wymagana przestrzeń

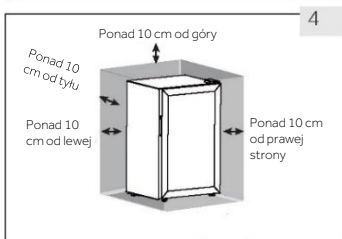
Wymagane miejsce, gdy drzwi są otwarte (rys. 3):

Szerokość w mm		Głębokość w mm	
W1	W2	D1	D2
499	633	905	919



4. Przekrój wentylacji

Ze względu na bezpieczeństwo i wydajność energetyczną należy zachować wymagany odstęp wentylacyjny wynoszący 10 cm z każdej strony (rys. 4).



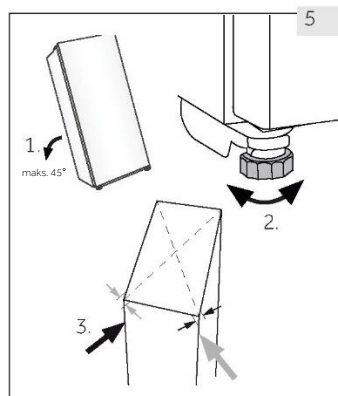
OSTRZEŻENIE!

- ▶ Należy dbać o drożność otworów wentylacyjnych w obudowie urządzenia wolnostojącego lub w konstrukcji do zabudowy. To urządzenie chłodnicze nie jest przeznaczone do zabudowy.

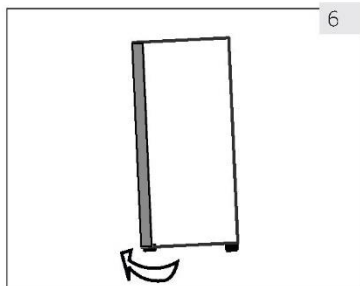
5. Ustawianie urządzenia

Urządzenie powinno być ustawione na płaskiej i stabilnej powierzchni.

1. Przechyl urządzenie lekko do tyłu (rys. 5).
2. Ustaw nóżki na odpowiednim poziomie, obracając je.
3. Stabilność można sprawdzić, popychając urządzenie naprzemiennie w linii przekątnych. Lekkie kołysanie powinno być takie same w obu kierunkach. W przeciwnym razie rama może się wykrzywić; w rezultacie może dojść do rozszczelnienia drzwi. Niewielki przechył do



tyłu pomagają przy zamykaniu drzwi.



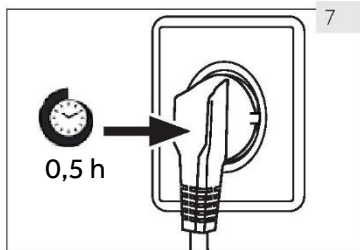
6

6. Regulowanie drzwi

Urządzenie zamyka się łatwiej, gdy używane są nóżki poziomicujące z przodu:

Obracaj regulowane nóżki (rys. 6), aby je podwyższyć lub obniżyć:

- ▶ Obracanie nóżek zgodnie z ruchem wskazówek zegara podnosi urządzenie.
- ▶ Obracanie nóżek w kierunku przeciwnym do ruchu wskazówek zegara obniża urządzenie.



7

7. Czas oczekiwania

W zbiorniku sprężarki znajduje się olej bezobsługowy. Olej ten może przedostać się poprzez zamknięty system rur podczas transportu przechylonego urządzenia. Przed podłączeniem urządzenia do zasilania trzeba odczekać 0,5 godziny (rys. 7), aby olej spłynął z powrotem do zbiornika.

8. Podłączenie do prądu

Przed każdym podłączeniem sprawdź, czy:

- ▶ zasilacz, gniazdo i bezpieczniki odpowiadają parametrom podanym na tabliczce znamionowej.
- ▶ gniazdko jest uziemione i nie zastosowano rozgałęźnika lub przedłużacza.
- ▶ wtyczka i gniazdko są odpowiednio dopasowane.

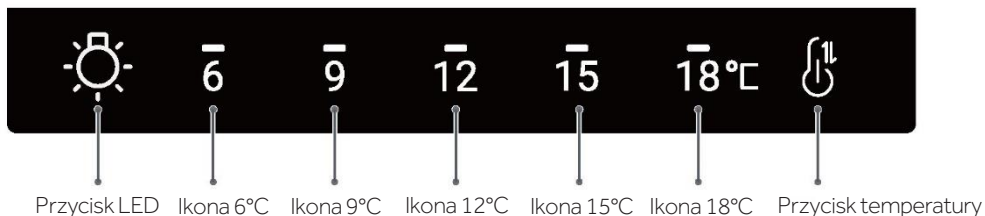
Podłącz wtyczkę do prawidłowo zainstalowanego gniazdka domowego.



OSTRZEŻENIE!

Aby uniknąć ryzyka, uszkodzony przewód zasilający musi być wymieniony przez serwis (zob. karta gwarancyjna).

Panel sterowania



Zakres temperatur panelu wyświetlacza wynosi 6~18°C

Domyślnie ustawiona jest temperatura 12°C

Możesz ustawić temperaturę zgodnie z wymaganiami dotyczącymi przechowywania wina.

1. Regulacja temperatury

Naciśnij przycisk „Temperatura”, aby podświetlić górną ikonę aktualnego ustawienia poziomu temperatury; Naciśnij ponownie przycisk „Temperatura” i ustaw temperaturę o jeden stopień, łącznie 5 stopni. Gdy temperatura osiągnie 18°C, jeśli będziesz kontynuować regulację, wyniesie 6°C, cykl po kolei. Po wybraniużądanego biegu i zatrzymaniu pracy na 5 sekund, system automatycznie przyjmie bieżące parametry ustawień.

2. Światło wewnętrzne

Naciśnij raz przycisk „Oświetlenie”, światło będzie włączone; Naciśnij ponownie przycisk „Oświetlenie”, a światła zgasną i po kolei się przełączają.

3. Pamięć funkcji podczas awarii zasilania

Ustawienie temperatury szafki zostanie zapamiętane. Po ponownym podłączeniu powróci do ustawień sprzed zasilania.



Wskazówki dotyczące oszczędzania energii

- ▶ Upewnij się, że urządzenie jest właściwie wentylowane (patrz MONTAŻ).
- ▶ Nie należy instalować urządzenia w bezpośrednim świetle słonecznym lub w pobliżu źródeł ciepła (np. pieców, grzejników).
- ▶ Unikaj niepotrzebnie niskiej temperatury w urządzeniu. Zużycie energii zwiększa się wraz z ustawieniem niższej temperatury w urządzeniu.
- ▶ Otwieraj drzwi możliwie rzadko i na krótko
- ▶ Nie należy przekraczać dozwolonej liczby butelek, aby nie utrudniać przepływu powietrza.
- ▶ Utrzymuj w czystości uszczelki drzwi, aby zapewnić prawidłowe ich zamykanie.
- ▶ Najbardziej energooszczędna konfiguracja wymaga, aby półki były umieszczone w urządzeniu jak w stanie fabrycznym, a wino nie blokowało wylotu powietrza z kanału.

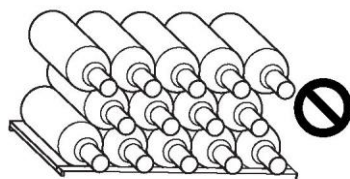
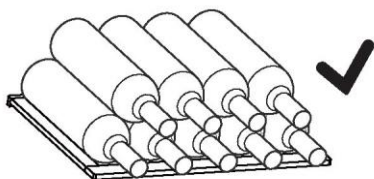
1. Półka

1. Półki są zaprojektowane w sposób ułatwiający przechowywanie i wyjmowanie wina. Można je czyścić miękkim ręcznikiem.
2. Standardowe butelki o średnicy 76 mm mogą być układane w stosy.
3. Butelki magnum można układać w stosy na dole.
4. Liczba butelek może się różnić od przedstawionej na ilustracji, jeśli są one ułożone w inny sposób.



Środki ostrożności dotyczące korzystania z piwniczki na wino

Nie umieszczaj zbyt dużo wina w piwniczce, aby nie przekroczyć nośności półek na wino. Nie umieszczaj więcej niż trzech warstw wina na każdej półce. Liczba butelek wina nie powinna przekraczać dwóch warstw na każdej półce, a obciążenie półek nie przekraczało 15kg.

Przed umieszczeniem butelek w chłodziarce należy sprawdzić, czy półki na wino są całkowicie stabilne. Ponadto należy sprawdzić, czy żadna z butelek nie wystaje poza półkę, aby uniknąć jej uderzenia o szklane drzwi podczas zamykania.



2. Oświetlenie

Gdy drzwi są otwarte, naciśnij  przycisk światła, włącz światło; naciskać  ponownie przycisk światła, wyłącz światło.

3. Automatyczne rozmrażanie

To urządzenie posiada funkcję automatycznego rozmrażania. Podczas użytkowania należy upewnić się, że otwór odpływowy jest odblokowany, aby wymusić płynny przepływ wody z rozmrażania przez otwór odpływowy do zbiornika wody wewnątrz szafki piwniczki.

Regularnie czyść zbiorniki wody na dnie komór; użyj suchej szmatki do zebrania wody wewnątrz zbiorników wody i przetrzyj je (czyść je zgodnie z zaleceniami co trzy miesiące).

1. Rozmrażanie

Rozmrażanie chłodziarki do wina przebiega automatycznie; nie jest wymagana ręczna obsługa.

2. Wymiana lamp LED

Jako źródło światła lampy wykorzystują diody LED, charakteryzujące się niskim zużyciem energii i długą żywotnością. W przypadku wystąpienia jakichkolwiek nieprawidłowości prosimy o kontakt z działem obsługi klienta. Zob. OBSŁUGA KLIENTA.

OSTRZEŻENIE!



Nie wymieniaj samodzielnie lampy LED. Musi ona zostać wymieniona przez producenta albo przez autoryzowanego serwisanta.

Parametry lampy LED:

Napięcie 12V; Maks. moc: 2W

3. Nieużytkowanie przez dłuższy okres

Odłącz przewód zasilający.

Wyczyść urządzenie i uszczelki drzwi jak opisano powyżej.

Zostaw drzwi otwarte, aby zapobiec tworzeniu się wewnątrz nieprzyjemnych zapachów.

4. Przenoszenie urządzenia

1. Wyjmij wszystkie butelki i odłącz urządzenie od zasilania.
2. Zabezpiecz taśmą klejącą półki i inne części ruchome w chłodziarce do wina.
3. Nie przechylaj chłodziarki do wina bardziej niż 45°, aby uniknąć uszkodzenia układu chłodniczego.

Wiele problemów można rozwiązać samodzielnie, bez specjalistycznej wiedzy. W przypadku problemów prosimy sprawdzić wszystkie pokazane możliwości i postępować zgodnie z poniższymi instrukcjami przed skontaktowaniem się z obsługą posprzedażową. Zob. OBSŁUGA KLIENTA.



OSTRZEŻENIE!

- ▶ Przed przystąpieniem do konserwacji wyłącz urządzenie i wyjmij wtyczkę z gniazdka sieciowego.
- ▶ Urządzenie elektryczne powinno być serwisowane tylko przez wykwalifikowanych ekspertów, ponieważ niewłaściwe naprawy mogą spowodować znaczne szkody.
- ▶ Jeśli kabel zasilania jest uszkodzony, musi on zostać wymieniony przez producenta, serwisanta lub inną wykwalifikowaną osobę w celu uniknięcia niebezpieczeństwa.

Kod usterki	Przyczyna	Rozwiązanie
Ikona „9” miga	Awaria czujnika chłodzenia.	Zadzwoń do serwisu posprzedażowego.
Ikona „12” miga	Alarm kriogeniczny czujnika chłodniczego.	Zadzwoń do serwisu posprzedażowego.

Problem	Potencjalna przyczyna	Możliwe rozwiązanie
Szron z tyłu?	<ul style="list-style-type: none"> Rury chłodnicze są zaprojektowane z tyłu wewnętrznej wykładziny szafki na wino. 	<ul style="list-style-type: none"> Jest to normalne zjawisko. Szafka ulega automatycznemu zamrożeniu bez wpływu na normalne użytkowanie.
Za dużo hałasu?	<ul style="list-style-type: none"> Niestabilne rozmieszczenie. 	<ul style="list-style-type: none"> Wyreguluj regulowaną stopkę dolną, aby szafka była stabilna. Upewnij się, że szafka nie dotyka innych przedmiotów ani ścian.
Dźwięk płynącej cieczy w szafce?	<ul style="list-style-type: none"> Dźwięk przepływu czynnika chłodniczego w rurociągu cyrkulacyjnym układu chłodniczego. 	<ul style="list-style-type: none"> Jest to normalne zjawisko.
Szafka na wino nie działa?	<ul style="list-style-type: none"> Połączenie między wtyczką szafki na wino a gniazdem elektrycznym. Tryb ochrony sprężarki. 	<ul style="list-style-type: none"> Upewnij się, że wtyczka szafki na wino jest prawidłowo podłączona do gniazda elektrycznego; Gniazdo zasilania jest pod napięciem; Dobry bezpiecznik w domu. Sprężarka ma tryb ochrony z przerwą 7 minut.
Dlaczego po obu stronach obudowy są niewielkie marszczenia?	<ul style="list-style-type: none"> Zjawisko rozszerzania i kurczenia się pod wpływem ciepła. 	<ul style="list-style-type: none"> Jest to normalne zjawisko. Celem jest zapewnienie dobrego odprowadzania ciepła i wysokiej wydajności pracy szafki na wino.
Korpus drzwi nie jest szczelnie zamknięty, wyciek powietrza?	<ul style="list-style-type: none"> Po dłuższym użytkowaniu produktu łatwo doprowadzić do tego, że uszczelka drzwi będzie twarda i zniekształcona z powodu niższej temperatury w szafce. 	<ul style="list-style-type: none"> Skieruj gorące powietrze z suszarki do włosów na zdeformowane miejsce lub przykryj zdeformowane miejsce gorącym ręcznikiem. Zamknij szczelnie drzwi, gdy uszczelka drzwi jest miękka.
Sprężarka pracuje przez długi czas?	<ul style="list-style-type: none"> Czy drzwi szafki nie są zamykane lub otwierane zbyt wiele razy? Włożono zbyt dużo napoi na raz. Czy szafka jest ustawiona zbyt nisko? 	<ul style="list-style-type: none"> Zamknij szczelnie drzwi lub zmniejsz liczbę ich otwierania. Nie wkładaj zbyt wielu napojów jednorazowo i zostawiaj przerwę między nimi. Ustawienie szafki można odpowiednio dostosować.

Problem	Potencjalna przyczyna	Możliwe rozwiązanie
Czy podczas pracy szafka na wino wydaje dźwięk „kliknięcia”?	<ul style="list-style-type: none"> • Ze względu na zmiany temperatury różne materiały z powodu rozszerzalności i kurczenia termicznego. Podczas użytkowania, działanie przekątnika i innych elementów elektrycznych powoduje to. 	<ul style="list-style-type: none"> • Jest to normalne zjawisko.
Czy szafka na wino nie może dobrze chłodzić?	<ul style="list-style-type: none"> • Czy ustawienie temperatury jest zbyt wysokie. • Wystawione na bezpośrednie działanie promieni słonecznych lub znajdujących się w pobliżu źródeł ciepła. • W szafce na wino są gorące napoje. • Napoje w szafce na wino są ułożone zbyt blisko siebie. • Niezależnie od tego, czy drzwi szafka na wino są często otwierane, czy zamykane. 	<ul style="list-style-type: none"> • Ustawienie niższej temperatury. • Unikaj bezpośredniego światła słonecznego i trzymaj z dala od źródeł ciepła. • Napojów nie należy przegrzewać. • Nie powinno być zbyt dużo napoi jednorazowo. • Zamknij szczelnie drzwi lub zmniejsz liczbę ich otwierania.
Czy w szafce na wino wydziela się dziwny zapach?	<ul style="list-style-type: none"> • Nowo zakupiona szafka na wino pachnie środkiem pianącym lub plastikiem. 	<ul style="list-style-type: none"> • Jest to normalne zjawisko i będzie powoli ulatniało się. • Prosimy sprawdzić, czy w szafce nie ma zepsutych napojów. • Napoje o nieprzyjemnym zapachu powinny być szczelnie zapakowane w plastikowe torebki. • Szafkę na wino należy regularnie czyścić.
Czy na drzwiach szafka na wino występuje kondensacja?	<ul style="list-style-type: none"> • Czy drzwi są otwierane zbyt często lub przez długi czas. • Czy ustawienie temperatury w szafce jest zbyt niskie. • Wysoka temperatura i wilgotność otoczenia. 	<ul style="list-style-type: none"> • Zamknij szczelnie drzwi lub zmniejsz liczbę ich otwierania. • Temperatura w szafce nie powinna być zbyt niska. • Proszę osuszyć suchą szmatką.
Światło nie jest jasne?	<ul style="list-style-type: none"> • Czy zasilanie jest podłączone? • Czy lampa jest uszkodzona? 	<ul style="list-style-type: none"> • Sprawdź zasilanie. • Lampa kontrolna.

Aby skontaktować się z pomocą techniczną, odwiedź naszą stronę internetową:

<https://corporate.haier-europe.com/en/>

W sekcji „Strona internetowa” wybierz markę swojego produktu i kraj. Zostaniesz przekierowany/a na konkretną stronę internetową, na której znajdziesz numer telefonu i formularz do kontaktu z pomocą techniczną.

Karta produktu, zgodnie z rozporządzeniem UE nr 2019/2016

Marka	Haier	Haier	Haier
Nazwa modelu/identyfikator	HWS33GG	HWS31GGE	HWS33GGFR
Pojemność znamionowa butelki	33	31	33
Kategoria urządzenia chłodniczego	I	I	I
Klasa efektywności energetycznej	G	G	G
Roczne zużycie energii(kWh/OK)1	154	154	154
Objętość komory(1)	93	93	93
Klasa klimatyczna: To urządzenie jest przeznaczone do użytkowania w temperaturze otoczenia od 16°C do 38°C	ST	ST	ST
Poziom emitowanego hałasu (db(A) e 1pW)	C(37)	C(37)	C(37)
Rodzaj konstrukcji	Freestanding	Freestanding	Freestanding
To urządzenie przeznaczone wyłącznie do przechowania wina	Tak	Tak	Tak
Wymiary(gl./zer./wys en mm)	455/499/830	455/499/830	455/499/830

Objaśnienie:

1) na podstawie standardowych wyników testów dla okresu 24 godzin. Rzeczywisty pobór mocy zależy od rzeczywistego otoczenia, ilości rozlewu, ustawionej temperatury, otwierania i zamykania drzwi itp.

2) Nominalny pobór mocy jest wartością ustaloną na podstawie standardowego testu, gdy w komorze na wino nie włącza się wewnętrzne światło i cykl powietrza.

- rozszerzony zakres temperatur „To urządzenie chłodnicze przeznaczone jest do użytkowania w temperaturze otoczenia od 10°C do 32°C”
- umiarkowany: „To urządzenie chłodnicze przeznaczone jest do użytkowania w temperaturze otoczenia od 16 °C do 32°C”
- subtropikalny: „To urządzenie chłodnicze przeznaczone jest do użytkowania w temperaturze otoczenia od 16 °C do 38 °C”
- tropikalny (T): „To urządzenie chłodnicze przeznaczone jest do użytkowania w temperaturze otoczenia od 16 °C do 43 °C”

Normy i dyrektywy

Produkt ten spełnia wymagania wszystkich obowiązujących dyrektyw UE z odpowiednimi normami zharmonizowanymi, które przewidują oznakowanie CE.

Polecamy nasz system Obsługi Klienta Haier i stosowanie oryginalnych części zamiennych. Jeśli masz problem z urządzeniem, najpierw sprawdź sekcję ROZWIĄZYWANIE PROBLEMÓW. Jeżeli nie możesz znaleźć rozwiązania, prosimy o

- ▶ kontakt z lokalnym sprzedawcą lub
- ▶ serwisem poprzez stronę internetową www.haier.com, na której można znaleźć numery telefonów i FAQ oraz aktywować roszczenia serwisowe.

Aby skontaktować się z naszym działem obsługi, upewnij się, że masz następujące dane. Informacje można znaleźć na tabliczce znamionowej.

Model _____ Nr seryjny _____

Sprawdź także kartę gwarancyjną dostarczoną z produktem.

Dla ogólnych zapytań biznesowych znajdziesz poniżej nasze adresy w Europie:

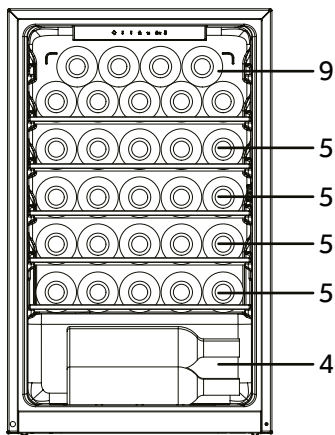
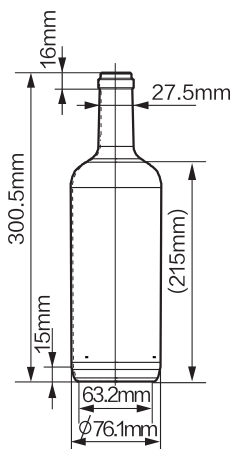
Europejskie adresy Haier

Kraj*	Adres pocztowy	Kraj	Adres pocztowy
Włochy	Haier Europe Trading SRL Via De Cristoforis, 12 21100 Varese ITALY	Francja	Haier Europe Trading SRL Via De Cristoforis, 12 21100 Varese ITALY
Hiszpania Portugalia	Haier Iberia SL Pg. Garcia Faria, 49-51 08019 Barcelona SPAIN	Belgia FR Belgia NL Holandia Luksemburg	Haier Benelux SA Anderlecht Route de Lennik 451 BELGIUM
Niemcy Austria	Haier Deutschland GmbH Hewlett-Packard-Str. 4 D-61352 Bad Homburg GERMANY	Polska Czechy Węgry Grecja	Haier Poland Sp. zo.o. Al. Jerozolimskie 181B 02-222 Warszawa POLAND
Wielka Brytania	Haier Appliances UK Co. Ltd. One Crown Square Church Street East Woking, Surrey, GU21 6HR UK	Rumunia Rosja	

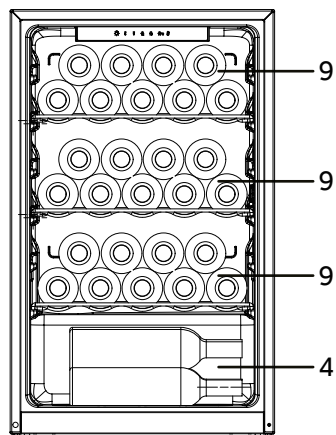
DOSTĘPNOŚĆ CZĘŚCI ZAMIENNYCH: Termostaty, czujniki temperatury, płytki drukowane i źródła światła są dostępne przez okres co najmniej siedem lat od wprowadzenia na rynek ostatniego egzemplarza modelu. Klamki, zawiasy drzwi, tace i kosze przez okres co najmniej siedem lat, a uszczelki drzwi przez okres co najmniej 10 lat od wprowadzenia na rynek ostatniego egzemplarza modelu

Minimalna gwarancja wynosi: 2 lata dla krajów UE, 3 lata dla Turcji, 1 rok dla Wielkiej Brytanii, 1 rok dla Rosji, 3 lata dla Szwecji, 2 lata dla Serbii, 5 lat dla Norwegii, 1 rok dla Maroka, 6 miesięcy dla Algierii, w Tunezji nie jest wymagana gwarancja prawna.

Aby uzyskać więcej informacji o produkcie, odwiedź stronę internetową <https://eprel.ec.europa.eu/> lub zeskanuj kod QR na etykiecie energetycznej dołączonej do urządzenia.



HWS33GG
HWS33GGFR
(pojemność 33 butelek)



HWS31GGE
(pojemność 31 butelek)



Manual do utilizador

Garrafeira

HWS33GG
HWS31GGE
HWS33GGFR

PT

Haier

Obrigado por comprar um produto Haier.

Leia atentamente estas instruções antes de utilizar este aparelho. As instruções contêm informações importantes que irão ajudá-lo a obter o melhor proveito do aparelho e garantir a instalação, o uso e a manutenção seguros e adequados.

Mantenha este manual num local conveniente para que o possa sempre consultar para uma utilização segura e adequada do aparelho.

Se vender, oferecer ou deixar o aparelho para trás, caso mude de casa, certifique-se de que passa também este manual para que o novo proprietário se possa familiarizar com o aparelho e avisos de segurança.



Legenda

Aviso - Informação de Segurança Importante



Informações gerais e dicas



Informação ambiental



Eliminação

Ajude a proteger o ambiente e a saúde humana. Coloque a embalagem em recipientes adequados para reciclar. Ajude a reciclar resíduos de aparelhos elétricos e eletrônicos. Não elimine os aparelhos marcados com este símbolo em conjunto com o lixo doméstico. Entregue o produto na sua instalação de reciclagem local ou entre em contato com seu escritório municipal.



AVISO!

Risco de lesão ou sufocação!

Os fluidos refrigerantes e os gases devem ser eliminados de forma profissional. Certifique-se de que os tubos do circuito refrigerante não estão danificados antes de serem devidamente eliminados. Desligue o aparelho da alimentação elétrica. Corte o cabo de alimentação de rede e elimine-o. Remova as bandejas e gavetas, bem como a pega e vedantes da porta, para evitar que crianças e animais de estimação se fechem no aparelho.

Os aparelhos antigos ainda têm algum valor residual. Um método de eliminação ecológico assegura que matérias-primas valiosas podem ser novamente recuperadas e utilizadas.

O ciclopentano, uma substância inflamável não prejudicial ao ozônio, é utilizado como expensor para a espuma de isolamento.

Ao assegurar que este produto é eliminado devidamente, irá ajudar a prevenir consequências potencialmente negativas para o ambiente e a saúde humana, que de outra forma poderiam ser causadas.

Para informações mais detalhadas sobre reciclagem deste produto, contacte a sua autarquia, o seu serviço de eliminação de resíduos domésticos ou a loja onde adquiriu o produto, manuseado pelos profissionais.

1 - Informações de segurança	4
2 - Dicas de segurança	6
3 - Manutenção	11
4 - Acessórios	12
5 - Descrição do produto	14
6 - Instalação	15
7 - Utilização	17
8 - Dicas de poupança de energia	18
9 - Equipamento	19
10 - Cuidados e limpeza	20
11 - Resolução de problemas	21
12 - Dados técnicos	25
13 - Assistência ao cliente	26
14 - Empilhamento de garrafas de vinho	27

Este aparelho destina-se exclusivamente ao armazenamento de vinho. Antes de ligar o aparelho pela primeira vez, leia as seguintes dicas de segurança:



AVISO!

Antes da primeira utilização

- ▶ Certifique-se de que não há danos provocados pelo transporte.
- ▶ Remova todas as embalagens e mantenha fora do alcance das crianças e elimine-as de forma ecológica.
- ▶ Aguarde no mínimo duas horas antes de instalar o aparelho, de forma a garantir que o circuito refrigerante está com eficiência total.
- ▶ Manuseie o aparelho sempre com pelo menos duas pessoas porque é pesado.

Instalação

- ▶ O aparelho deve ser colocado num local bem ventilado. Certifique-se de que existe um espaço de pelo menos 10 cm, por cima e ao redor do aparelho.
- ▶ **AVISO:** Mantenha as aberturas de ventilação, no revestimento do aparelho ou na estrutura integrada, livres de obstruções.
- ▶ Nunca coloque o aparelho numa área húmida ou num local onde possa ser salpicado com água. Limpe e seque as salpicos de água e manchas com um pano macio limpo.
- ▶ Não instale a sua garrafeira em qualquer local não devidamente isolado ou aquecido (p.ex. garagem, etc.). A sua garrafeira não foi projetada para funcionar a uma temperatura ambiente abaixo de 16 °C.
- ▶ Não instale o aparelho sob luz solar direta ou na proximidade de fontes de calor (por exemplo, fogões, aquecedores).
- ▶ Instale e nivele o aparelho numa área adequada para o seu tamanho e utilização.
- ▶ Certifique-se de que as informações elétricas na placa de classificação correspondem à fonte de alimentação. Se não, entre em contato com um electricista.
- ▶ O aparelho funciona com uma alimentação 220-240 V/50 Hz. Uma flutuação da tensão anormal pode fazer com que o aparelho não ligue ou danifique o controlo da temperatura ou o compressor, ou pode haver um ruído anormal durante o funcionamento. Nesse caso, deve ser montado um regulador automático.

**AVISO!**

- ▶ Não use adaptadores de fichas múltiplas nem cabos de extensão.
- ▶ AVISO: Não coloque tomadas triplas múltiplas portáteis ou fontes de alimentação portáteis na parte traseira do aparelho.
- ▶ AVISO: Ao posicionar o aparelho, certifique-se de que o cabo de alimentação não se encontra preso nem danificado.
- ▶ Não pise o cabo de alimentação.
- ▶ Use uma tomada de terra separada para a fonte de alimentação que seja fácil de aceder. Este aparelho deve ser ligado à terra.
- ▶ Apenas para o Reino Unido (ligação à terra) ficha que se encaixa numa tomada padrão de 3 pinos (terra). Nunca corte ou desmonte o terceiro pino (terra). Após a instalação do aparelho, a tomada deve ficar acessível.
- ▶ AVISO: Não danifique o circuito refrigerante.

Utilização diária

- ▶ Este aparelho pode ser utilizado por crianças de idade igual ou superior a 8 anos e por pessoas com capacidades físicas, sensoriais ou mentais reduzidas ou falta de experiência e conhecimento, caso lhes tenha sido fornecida supervisão ou instruções relativas à utilização do aparelho de forma segura e desde que compreendam os perigos envolvidos.
- ▶ As crianças não devem brincar com o aparelho.
- ▶ As crianças de 3 a 8 anos são autorizadas a carregar e descarregar aparelhos de refrigeração, mas não podem limpar e instalar os aparelhos de refrigeração.
- ▶ Mantenha as crianças com menos de 3 anos de idade afastadas do aparelho, a menos que estejam constantemente sob supervisão.
- ▶ A limpeza e a manutenção pelo utilizador não devem ser realizadas por crianças sem supervisão.
- ▶ O aparelho deve ser posicionado de modo a que a ficha fique acessível.
- ▶ Se o gás de carvão ou outro gás inflamável verter para a proximidade do aparelho, desligue a válvula do gás de fuga, abra as portas e janelas e não desligue o cabo de alimentação do eletrodoméstico.



AVISO!

- ▶ Aguarde pelo menos 7 minutos para reconectar a energia depois de ter sido desconectada.
- ▶ Não levante o aparelho pelas pegas das portas.
- ▶ Observe que o aparelho está regulado para funcionar no intervalo de temperatura específico de 16 e 38°C. O aparelho não pode funcionar adequadamente se for deixado durante um longo período a uma temperatura acima ou abaixo do intervalo indicado.
- ▶ Não coloque artigos instáveis (objetos pesados, recipientes cheios de água) em cima do aparelho, para evitar lesões pessoais causadas por queda ou choque elétrico causado pelo contato com a água.
- ▶ Abra e feche a porta apenas pelas pegas. O espaço entre a porta e o armário é muito estreito. Não coloque as mãos nessas áreas para evitar entalar os dedos. Abra ou feche as portas do aparelho apenas quando não houver crianças que se encontrem dentro do alcance do movimento das portas.
- ▶ Não guarde nem use materiais inflamáveis, explosivos ou corrosivos no aparelho ou nas proximidades.
- ▶ Não guarde substâncias explosivas como, por exemplo, latas de aerossóis, com um carburante inflamável, no interior deste aparelho.
- ▶ Não guarde medicamentos, bactérias ou agentes químicos no aparelho. Este aparelho é um eletrodoméstico. Não é recomendado para armazenar materiais que requerem temperaturas rigorosas.
- ▶ Não ajuste uma temperatura desnecessariamente baixa na garrafeira. Podem ocorrer temperaturas negativas em altas configurações. Atenção: As garrafas podem rebentar.
- ▶ Não toque na superfície interna do compartimento do aparelho, quando em funcionamento, especialmente com as mãos molhadas, pois as mãos podem congelar na superfície.
- ▶ Para uma refrigeração adequada do vinho, não sobrecarregue o aparelho.
- ▶ Desligue o aparelho em caso de interrupção da energia ou antes da limpeza. Deixe passar pelo menos 7 minutos antes de reiniciar o aparelho, pois o arranque frequente pode danificar o compressor.

**AVISO!**

- ▶ **AVISO:** Não utilize dispositivos elétricos no interior do aparelho, a menos que sejam do tipo recomendado pelo fabricante. Para evitar riscos, um cabo de alimentação danificado deve ser substituído pela assistência ao cliente (ver cartão de garantia).
- ▶ Para prolongar a vida útil do aparelho, evite desligá-lo.
- ▶ Nunca coloque o aparelho na horizontal no chão. Depois de inclinar o aparelho mais de 45°, aguarde 0,5 horas antes de o ligar.

Manutenção/limpeza

- ▶ Certifique-se de que as crianças estão vigiadas caso estejam a realizar a limpeza e manutenção.
- ▶ Desligue o aparelho da alimentação elétrica antes de realizar qualquer manutenção de rotina. Deixe passar pelo menos 7 minutos antes de reiniciar o aparelho, pois o arranque frequente pode danificar o compressor.
- ▶ Segure a ficha, não o cabo, ao desligar o aparelho.
- ▶ Não limpe o aparelho com escovas duras, escovas de arame, detergente em pó, gasolina, acetato de amilo, acetona e soluções orgânicas semelhantes, soluções ácidas ou alcalinas. Limpe com detergente especial para frigorífico/congelador para evitar danos. No final use água morna e solução de bicarbonato de sódio - cerca de uma colher de sopa de bicarbonato de sódio para um litro de água. Enxaguar abundantemente com água e secar. Não utilize pós de limpeza ou outros produtos de limpeza abrasivos. Não lave as peças removíveis na máquina de lavar loiça.
- ▶ **AVISO:** Não utilize dispositivos mecânicos ou outros meios para acelerar o processo de descongelação, que não os recomendados pelo fabricante.
- ▶ Se o cabo de alimentação estiver danificado, tem de ser substituído pelo fabricante, pelo agente de serviço ou por pessoas igualmente qualificadas de forma a evitar o perigo.
- ▶ Não tente reparar, desmontar ou modificar o aparelho sozinho. Em caso de reparação, entre em contato com a nossa assistência ao cliente.

- ▶ Se as luzes de iluminação estiverem danificadas, devem ser substituídas pelo fabricante, pelo seu agente de serviço ou por pessoas qualificadas similares, a fim de evitar riscos.
- ▶ Elimine o pó na parte de trás da unidade pelo menos uma vez no ano para evitar perigo de incêndio, bem como o aumento do consumo de energia.
- ▶ Não pulverize o aparelho durante a limpeza.
- ▶ Não use spray de água ou vapor para limpar o aparelho.
- ▶ Não limpe a porta de vidro fria com água quente. A mudança súbita de temperatura pode fazer com que o vidro se quebre.
- ▶ Se deixar de utilizar o seu aparelho durante um período prolongado, deixe-o aberto para evitar odores e cheiros desagradáveis dentro.

Informações sobre gases refrigerantes



AVISO!

O aparelho contém o refrigerante inflamável ISOBUTANO (R600a). Certifique-se de que o circuito refrigerante não fica danificado durante o transporte ou instalação. A fuga de refrigerante pode causar lesões oculares ou inflamações. Se ocorrer um dano, mantenha afastadas fontes de chama aberta, ventile completamente a sala, não ligue ou desligue os cabos de alimentação do eletrodoméstico ou de qualquer outro aparelho. Informe a assistência ao cliente.

No caso de os olhos entrarem em contacto com o fluido refrigerante, lave-os imediatamente sob água corrente e contacte imediatamente um oftalmologista.

AVISO: O sistema de refrigeração está sob alta pressão. Não o viole. Uma vez que os refrigerantes inflamáveis são usados, por favor, instale, manuseie e carregue o aparelho estritamente de acordo com as instruções e contacte o agente profissional ou o nosso serviço pós-venda para eliminar o aparelho.

Utilização prevista


Este aparelho destina-se a ser utilizado em meio doméstico e aplicações similares tais como

- áreas de cozinha para o pessoal em lojas, escritórios e outros ambientes de trabalho;
 - quintas e por clientes em hotéis, motéis e outros ambientes de tipo residencial;
 - ambientes de tipo alojamento e pequeno-almoço;
 - aplicações de catering e idênticas não comerciais.
- Para garantir a preservação segura do vinho, por favor, siga estas instruções de uso.
- Os dados relativos à parte mais adequada no compartimento do eletrodoméstico em que devem ser armazenados tipos específicos de alimentos, tendo em conta a distribuição da temperatura que pode estar presente nos diferentes compartimentos do aparelho, encontram-se na outra parte do manual.

Não são permitidas alterações ou modificações no dispositivo. Uma utilização indevida pode causar riscos e perda de reivindicações de garantia.

Eliminação



O símbolo  no produto ou na sua embalagem indica que este produto não pode ser tratado como lixo doméstico. Em vez disso, deve ser entregue no ponto de recolha aplicável para reciclagem de equipamentos elétricos e eletrônicos. Ao assegurar que este produto é eliminado devidamente, irá ajudar a evitar consequências potencialmente negativas para o ambiente e a saúde humana, que de outra forma poderiam ser causadas pelo manuseamento inadequado de resíduos deste produto. Para informações mais detalhadas sobre reciclagem deste produto, entre em contato com departamento da sua cidade, o seu serviço de eliminação de resíduos domésticos ou a loja onde comprou o produto.

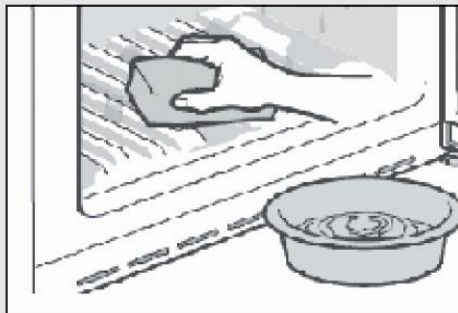
Uma vez que são utilizados gases de sopro do isolamento inflamáveis, entre em contato com um agente profissional ou nosso serviço pós-venda para eliminar o aparelho.

AVISO!

Risco de lesão de sufocação!

Os fluidos refrigerantes e os gases devem ser eliminados de forma profissional. Certifique-se de que os tubos do circuito refrigerante não estão danificados antes de serem devidamente eliminados. Desligue o aparelho da alimentação elétrica. Corte o cabo de alimentação de rede e elimine-o. Remova as bandejas e gavetas, bem como a pega e vedantes da porta, para evitar que crianças e animais de estimação fiquem fechados dentro do aparelho.

- ▶ **AVISO:** Desligue o aparelho da fonte de alimentação antes de limpar.
- ▶ Não limpe o aparelho com escovas duras, escovas de arame, detergente em pó, gasolina, acetato de amilo, acetona e soluções orgânicas semelhantes, soluções ácidas ou alcalinas. Limpe com detergente especial do frigorífico para evitar danos.
- ▶ Limpe o aparelho quando apenas tiver armazenado pouco ou nenhum vinho. Só é necessário limpá-lo quando estiver sujo.
- ▶ Limpe o interior e a caixa do aparelho com uma esponja molhada em água morna e detergente neutro
- ▶ Enxague com água morna limpa e seque com um pano seco.
- ▶ Não limpe nenhuma das peças do aparelho numa máquina de lavar loiça.
- ▶ Deixe passar pelo menos 7 minutos antes de voltar a ligar o aparelho pois o arranque frequente pode danificar o compressor.



Limpe a junta de vedação da porta:

- ▶ Os vedantes da porta devem ser limpos para garantir uma vedação adequada. Como indicado em baixo: Remover: Segure a vedação da porta e puxe-a de acordo com a direção da seta para remover toda a vedação da porta em ordem. Mergulhe a escova com água ou álcool de classe alimentar, limpe o sulco da vedação da porta primeiro puxando a escova para trás e para a frente. Em seguida,



limpe a superfície da vedação da porta com uma toalha embebida com água ou álcool de grau alimentar. Finalmente, lave a junta da porta para limpar e limpe-a com uma toalha limpa.

Vedação da porta de instalação após a limpeza:

Antes da instalação, certifique-se de que não há água na vedação da porta. Insira a vedação da porta na ranhura e pressione firmemente a vedação da porta desde a parte superior à parte inferior manualmente até que toda a vedação da porta seja inserida na ranhura.

Limpeza das prateleiras:

Todas as prateleiras podem ser retiradas para limpeza.

Retire todas as garrafas.

Levante cada prateleira um pouco e retire para fora.

Limpe a prateleira com uma toalha macia.

Aguarde até que as prateleiras estejam secas antes de as voltar a colocar.

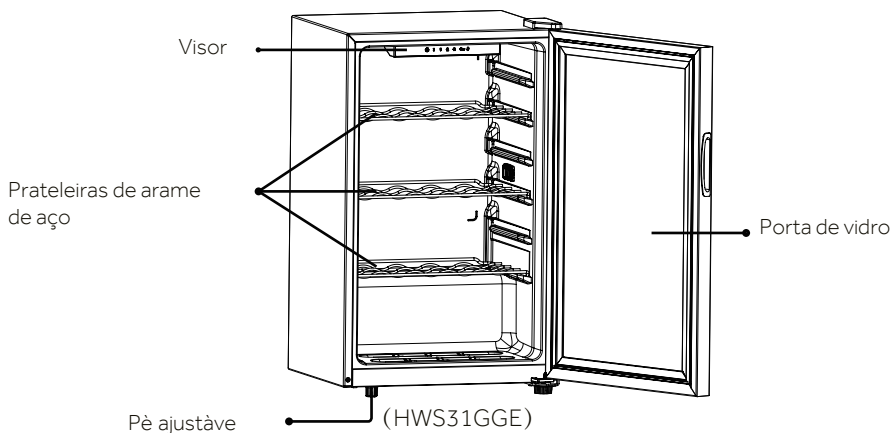
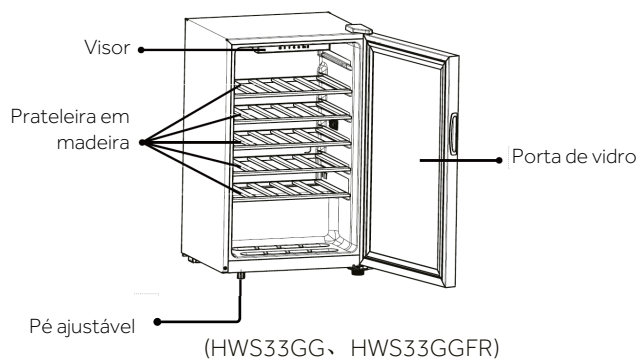
Verifique os acessórios e a literatura de acordo com esta lista: sem isolamento.

Quantidade	Nome	Guia de utilizador	Kit de informações	Prateleiras para vinhos	Prateleiras de arame de aço
Modelo de produto					
	HWS33GG	1	1	5	0
	HWS31GGE	1	1	0	3
	HWS33GGFR	1	1	5	0

Aviso

Devido a alterações técnicas e a modelos diferentes, algumas das ilustrações neste manual podem ser diferentes do seu modelo.

Imagem do aparelho



Este produto contém uma fonte de luz de classe de eficiência energética.

1. Desembalar

- ▶ Retire o aparelho da embalagem.
- ▶ Remova todos os materiais de embalagem, incluindo a base de espuma e toda fita adesiva com os acessórios.

2. Condições ambientais

A temperatura ambiente deve estar sempre entre 16°C e 38°C, uma vez que pode influenciar a temperatura no interior do aparelho e o seu consumo de energia. Não instale o aparelho perto de outros aparelhos emissores de calor (fornos, frigoríficos) sem isolamento.

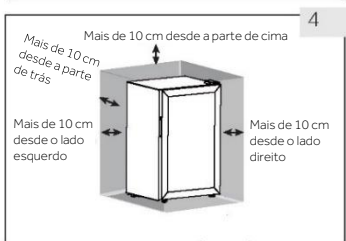
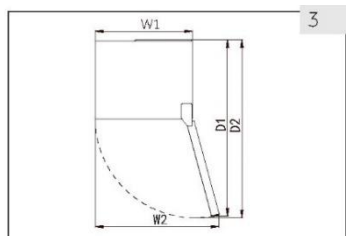
3. Requisitos de espaço

Espaço necessário para abrir a porta (Fig. 3):

Largura em mm		Profundidade em mm	
W1	W2	D1	D2
499	633	905	919

4. Espaço de ventilação

Por razões de segurança e energia, deve ser observada a distância de ventilação necessária de 10 cm em todas as direções (Fig. 4).



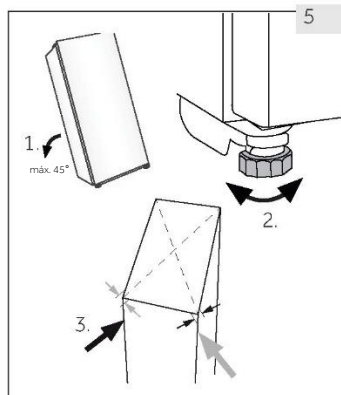
AVISO!

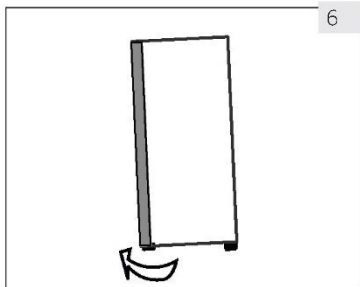
- ▶ Mantenha as aberturas de ventilação no aparelho ou na estrutura embutida livres de obstruções. Este frigorífico não se destina a ser utilizado como um aparelho de encastrar

5. Alinhar o aparelho

O aparelho deve ser colocado sobre uma superfície plana e sólida.

1. Incline o aparelho ligeiramente para trás (Fig. 5).
2. Ajuste os pés dianteiros ajustáveis para o nível desejado, rodando-os.
3. A estabilidade pode ser verificada por empurrando alternadamente as diagonais. Uma ligeira oscilação deve ser a mesma em ambas as direções. Caso contrário, a estrutura pode empenar; a consequência pode ser fugas dos vedantes da porta. Uma leve inclinação para a traseira facilita o fecho da porta.





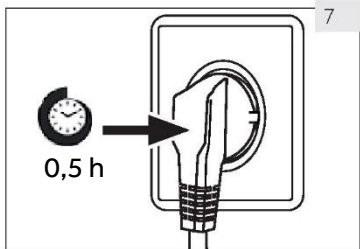
6

6. Ajuste fino da porta

O aparelho fecha mais facilmente se forem utilizados os pés de nivelamento na frente:

Rode os pés ajustáveis (Fig. 6) para os subir ou descer:

- ▶ Rodar os pés no sentido horário levanta o aparelho.
- ▶ Rodar os pés no sentido anti-horário baixa o aparelho.



7

7. Tempo de espera

O óleo de lubrificação sem manutenção está localizado na câpsula do compressor. Este óleo pode passar pelo sistema fechado do tubo durante o transporte se o aparelho estiver inclinado. Antes de ligar o aparelho à fonte de alimentação, aguarde 0,5 horas (Fig. 7) para que o óleo volte à câpsula.

8. Ligação elétrica

Antes de cada conexão verificar se:

- ▶ a fonte de alimentação, tomada e fusíveis são adequados à placa de classificação.
- ▶ a tomada de alimentação está ligada à terra sem fichas múltiplas nem extensão.
- ▶ a ficha de alimentação e a tomada estão corretamente ajustadas.

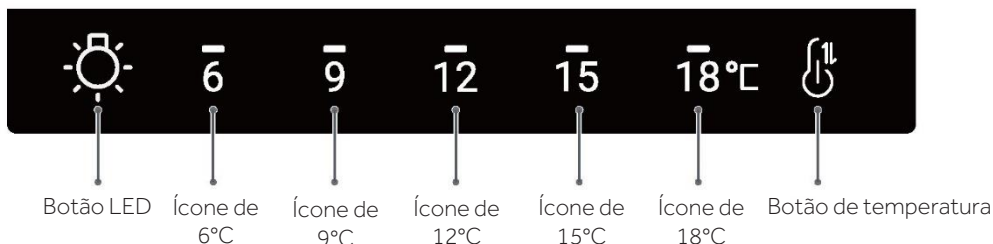
Ligue a ficha a uma tomada doméstica instalada corretamente.



AVISO!

Para evitar riscos, um cabo de alimentação danificado deve ser substituído pela assistência ao cliente (ver cartão de garantia).

Painel de controlo



O intervalo de temperatura do painel do visor é de 6-18°C

A regulação de temperatura padrão é de 12°C

Pode ajustar a temperatura de acordo com suas necessidades de armazenamento de vinhos.

1. Ajustes de Temperatura

Prima o "Botão de temperatura" para acender o ícone superior da temperatura atualmente regulada; Prima o "Botão de temperatura" novamente e aumenta a temperatura, um passo de cada vez, num total de 5 passos. Quando a temperatura atingir os 18°C, se continuar a ajustar, volta aos 6°C. Quando o modos desejado está seleccionado e a operação é interrompida durante 5 segundos, o sistema ajusta-se automaticamente para os parâmetros de configuração atual.

2. Luz interior

Prima uma vez o "Botão da luz", a luz no armário acende-se; Prima novamente o "Botão da luz" e as luzes no armário apagam-se e voltam a acender.

3. Desligar a função de memória

O ajuste de temperatura do armário será lembrado. Depois de voltar a ligar, regressa à configuração antes de ligar.



Dicas de poupança de energia

- ▶ Certifique-se de que o aparelho está devidamente ventilado (ver INSTALAÇÃO).
- ▶ Não instale o aparelho sob luz solar direta ou na proximidade de fontes de calor (por exemplo, fogões, aquecedores).
- ▶ Evite temperaturas desnecessariamente baixas no aparelho. O consumo de energia aumenta quanto menor for a temperatura do aparelho.
- ▶ Abra a porta do aparelho o mínimo possível e tão breve quanto possível
- ▶ Não exceda a quantidade de garrafas prevista para evitar obstruir o fluxo de ar.
- ▶ Mantenha os vedantes da porta limpos para que a porta feche sempre corretamente.
- ▶ A configuração mais economizadora de energia implica que as prateleiras estejam posicionadas no aparelho tal como vêm de fábrica, e que o vinho seja colocado sem bloquear a saída de ar das condutas.

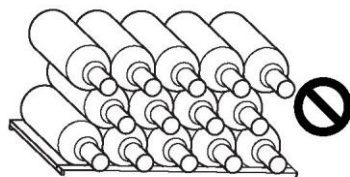
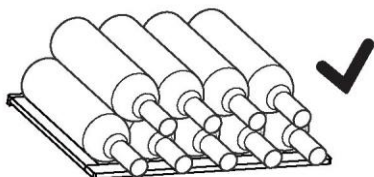
1. Prateleira

1. As prateleiras são projetadas para um armazenamento e remoção fáceis do vinho. Podem ser limpas com uma toalha macia.
2. Garrafas normais com diâmetro de 76 mm podem ser empilhadas.
3. Garrafas maiores podem ser empilhadas na parte de baixo.
4. A quantidade variar do número ou garrafas ilustradas se forem empilhadas de forma diferente.



Precauções de utilização da garrafeira

Não coloque demasiado vinho na garrafeira de modo a não exceder a capacidade de suporte das prateleiras de vinho. Não coloque mais de três camadas de vinho em cada prateleira. O número de garrafas de vinho não deve exceder três camadas em cada prateleira, ou a capacidade de suporte das prateleiras de vinho não deve exceder 15kg.

Antes de colocar as garrafas dentro da garrafeira, confirme se as prateleiras do vinho estão completamente estáveis. Além disso, confirme se existe alguma garrafa saliente das prateleiras, a fim de evitar que as garrafas batam na porta de vidro ao fechar.



2. A luz

Enquanto a porta está aberta, prima o botão da luz  'LIGHT' ligue a luz; prima o botão da luz  'LIGHT' novamente, desligue a luz.

3. Descongelamento automático

Este aparelho tem uma função de descongelação automática. Durante a utilização, certifique-se de que o orifício de drenagem está desbloqueado de modo a forçar a água descongelada a fluir suavemente através do orifício de drenagem para o recetor de água no interior da garrafeira.

Limpe regularmente os recetores de água nos compartimentos; utilize um pano seco para absorver água dentro dos recetores de água e limpe-os (limpá-los a cada três meses, conforme sugerido).

1. Descongelamento

O descongelamento da garrafeira é feito automaticamente; nenhuma operação manual é necessária.

2. Substituir a lâmpada LED

A lâmpada usa LED como sua fonte de luz, com baixo consumo de energia e longa vida útil. Se houver alguma anomalia, entre em contato com a assistência ao cliente. Consulte ASSISTÊNCIA AO CLIENTE.

AVISO!



Não substitua a lâmpada LED você mesmo. Só pode ser substituída pelo fabricante ou pelo agente de serviço autorizado.

Parâmetros da lâmpada LED:

Voltagem 12V; Potência máxima: 2W

3. Não utilizar durante um período maior

Desligue o cabo de alimentação.

Limpe o aparelho e as juntas da porta conforme descrito acima.

Mantenha a porta aberta para evitar a criação de maus odores no interior.

4. Mover o aparelho

1. Remova todas as garrafas e desligue o aparelho.
2. Fixe prateleiras e outras peças móveis na garrafeira com fita adesiva.
3. Não incline a garrafeira mais de 45° para evitar danificar o sistema de refrigeração.

Muitos problemas que ocorrem podem ser resolvidos por si mesmo sem experiência específica. Em caso de problema, por favor verifique todas as possibilidades apresentadas e siga as instruções abaixo antes de contactar um serviço pós-venda. Consulte ASSISTÊNCIA AO CLIENTE.

**AVISO!**

- ▶ Antes da manutenção, desative o aparelho e desligue a ficha da tomada.
- ▶ Os equipamentos elétricos devem ser reparados apenas por eletricitas qualificados, uma vez que reparações inadequadas podem causar danos consequenciais consideráveis.
- ▶ Se o cabo de alimentação estiver danificado, este apenas pode ser substituído pelo fabricante, pelo agente de serviço ou por pessoas igualmente qualificadas de forma a evitar o perigo.

Código de erro	Causa	Solução
O ícone "9" pisca	Falha do sensor de refrigeração.	Contacte o serviço pós-venda.
O ícone "12" pisca	Alarme criogénico do sensor de refrigeração.	Contacte o serviço pós-venda.

Problema	Causa possível	Possível solução
Gelo na parte de trás da vesícula interior?	<ul style="list-style-type: none"> Os tubos de refrigeração estão incorporados na parte de trás do forro interno de uma garrafeira. 	<ul style="list-style-type: none"> Isto é um fenómeno normal. O armário irá descongelar automaticamente sem afetar a utilização normal.
Muito barulho?	<ul style="list-style-type: none"> Instalação instável. 	<ul style="list-style-type: none"> Ajuste o pé inferior ajustável para manter o armário estável. Certifique-se de que o armário não toca noutros objetos ou paredes.
Som de líquido a correr no armário?	<ul style="list-style-type: none"> Som de fluxo de refrigerante na tubagem de circulação do sistema de refrigeração. 	<ul style="list-style-type: none"> Isto é um fenómeno normal.
A garrafeira não está a funcionar?	<ul style="list-style-type: none"> Conexão entre a ficha da garrafeira e a tomada de parede. Modo de proteção do compressor. 	<ul style="list-style-type: none"> Certifique-se de que a ficha da garrafeira está corretamente ligada à tomada; A tomada tem corrente; O fusível em casa está bom. O compressor possui um modo de proteção com um intervalo de 7 minutos.
Porque é que existem leves nervuras de ambos os lados da estrutura?	<ul style="list-style-type: none"> O fenómeno de expansão e de contração causadas pelo calor. 	<ul style="list-style-type: none"> Isto é um fenómeno normal. O objetivo é garantir uma boa dissipação de calor e alta eficiência operacional da garrafeira.
A porta não está a fechar bem, fuga de ar?	<ul style="list-style-type: none"> Depois de usar o produto por um período de tempo, é natural que o vedante da porta fique endurecido e distorcida devido à temperatura mais baixa no armário. 	<ul style="list-style-type: none"> Seque a área deformada com ar quente de um secador de cabelo ou cubra a área deformada com uma toalha quente. Feche bem a porta quando o vedante da porta estiver mole.
O compressor continua a funcionar durante muito tempo?	<ul style="list-style-type: none"> A porta do armário não estará a ser aberta e fechada muitas vezes? Foram postas demasiadas bebidas de uma vez. A regulação do armário estará demasiado baixa? 	<ul style="list-style-type: none"> Feche bem a porta ou reduza o número de vezes que a abre. Não coloque demasiadas bebidas de uma vez, e deixe um intervalo entre as bebidas. A regulação do armário pode ser feita de forma adequada.

Problema	Causa possível	Possível solução
Quando a garrafeira está a funcionar, ouve-se um som tipo "click"?	<ul style="list-style-type: none"> • Devido às mudanças de temperatura, vários materiais sofrem expansão e contração térmica. Durante a utilização, devido à ação do relé e a outras causas de componentes elétricos. 	<ul style="list-style-type: none"> • Isto é um fenómeno normal.
A garrafeira não consegue arrefecer bem?	<ul style="list-style-type: none"> • A regulação da temperatura é demasiado alta. • Exposto a luz solar direta ou fontes de calor nas proximidades. • Há bebidas quentes na garrafeira. • As bebidas na garrafeira estão muito próximas. • A porta da garrafeira é aberta ou fechada com frequência. 	<ul style="list-style-type: none"> • Regulação da temperatura mais baixa. • Evite luz solar direta e mantenha afastado de fontes de calor. • As bebidas não devem estar sobreaquecidas. • As bebidas não devem ser demasiadas uma vez. • Feche bem a porta ou reduza o número de vezes que a abre.
Há um cheiro peculiar no armário de vinho?	<ul style="list-style-type: none"> • Um armário de vinho acabado de comprar cheira a espuma ou a plástico. 	<ul style="list-style-type: none"> • Este é um fenómeno normal e acabará por desaparecer lentamente com o tempo. • Por favor, inspecione o armário para ver se há bebidas estragadas a tempo. • As bebidas com cheiros devem ser enroladas bem em sacos de plástico. • A garrafeira deve ser limpa regularmente.
Há condensação na porta da garrafeira?	<ul style="list-style-type: none"> • A porta é aberta com demasiada frequência ou durante demasiado tempo. • A regulação da temperatura no armário é demasiado baixa. • Temperatura ambiente e humidade elevadas. 	<ul style="list-style-type: none"> • Feche bem a porta ou reduza o número de vezes que a abre. • A temperatura no armário não deve ser regulada para muito baixa. • Por favor seque com um pano seco.
A luz não é brilhante?	<ul style="list-style-type: none"> • A alimentação está ligada? • A lâmpada está danificada? 	<ul style="list-style-type: none"> • Verifique a fonte de alimentação. • Inspeccione a lâmpada.

Para contactar a assistência técnica, consulte o nosso website:

<https://corporate.haier-europe.com/en/>

Na seção "website", escolha a marca do seu produto e o seu país. Será redirecionado para o website específico onde pode encontrar o número de telefone e o formulário para contactar a assistência técnica.

Ficha de produto de acordo com o Regulamento UE N.º 2019/2016

Marca	Haier	Haier	Haier
Nome do modelo/identificador	HWS33GG	HWS31GGE	HWS33GGFR
Capacidade nominal do frasco	33	31	33
Categoria de refrigeração para uso	I	I	I
Classe de eficiência energética	G	G	G
Consumo anual de energia(kWh/ano)	154	154	154
Volume de armazenagem(L)	93	93	93
Classe climática: Este aparelho destina-se a ser utilizado a uma temperatura ambiente entre 16°C e 38°C	ST	ST	ST
Emissões de ruído aéreo(db(A)re 1W)	C(37)	C(37)	C(37)
Tipo de aparelho	Freestanding	Freestanding	Freestanding
Este aparelho destina-se exclusivamente ao armazenamento de vinho	Sim	Sim	Sim
Dimensões(D/W/H em mm)	455/499/830	455/499/830	455/499/830

Explicações:

1) com base nos resultados do teste padrão durante 24 horas. O consumo real de energia depende do ambiente real, da quantidade de garrafas, da temperatura ajustada, da abertura e fecho da porta, etc.

2) O consumo nominal de energia é o valor obtido de acordo com o ensaio normal quando a garrafeira não acende a luz interna e o ciclo de ar.

- temperatura prolongada: "este aparelho de refrigeração destina-se a ser utilizado a uma temperatura ambiente entre 10 °C e 32 °C";
- temperado: "este aparelho de refrigeração destina-se a ser utilizado a uma temperatura ambiente entre 16 °C e 32 °C";
- subtropical: "este aparelho de refrigeração destina-se a ser utilizado a uma temperatura ambiente entre 16 °C e 38 °C";
- tropical: "este aparelho de refrigeração destina-se a ser utilizado a uma temperatura ambiente entre 16 °C e 43 °C";

Normas e diretivas

Este produto cumpre os requisitos de todas as diretivas CE aplicáveis com as normas harmonizadas correspondentes, que permitem a marcação CE.

Recomendamos o nosso Serviço de Assistência ao Cliente da Haier e a utilização de peças de reposição originais.

Se tiver algum problema com o seu aparelho, verifique primeiro a secção RESOLUÇÃO DE PROBLEMAS. Se não conseguir encontrar uma solução nesta secção, entre em contato

- ▶ com o seu revendedor local ou
- ▶ a área de Serviço e Suporte em www.haier.com onde pode encontrar números de telefone e perguntas frequentes e onde pode ativar um pedido de assistência.

Para contactar a nossa Assistência, certifique-se de que tem os seguintes dados disponíveis.

As informações podem ser encontradas na placa de classificação.

Modelo _____ N.º de série _____

Verifique também o cartão de garantia fornecido com o produto em caso de garantia.

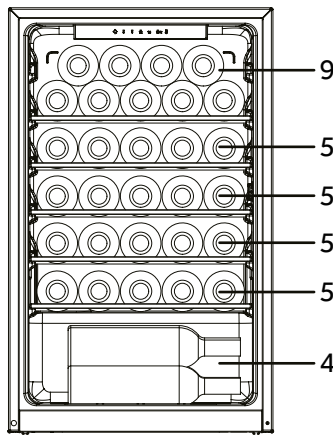
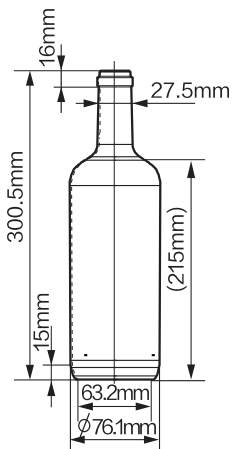
Para consultas gerais, por favor encontre os nossos endereços na Europa abaixo:

Endereços da Haier na Europa			
País*	Endereço postal	País	Endereço postal
Itália	Haier Europe Trading SRL Via De Cristoforis, 12 21100 Varese ITALY	França	Haier Europe Trading SRL Via De Cristoforis, 12 21100 Varese ITALY
Espanha Portugal	Haier Iberia SL Pg. Garcia Faria, 49-51 08019 Barcelona SPAIN	Bélgica-FR Bélgica-NL Países Baixos Luxemburgo	Haier Benelux SA Anderlecht Route de Lennik 451 BELGIUM
Alemanha Áustria	Haier Deutschland GmbH Hewlett-Packard-Str. 4 D-61352 Bad Homburg GERMANY	Polónia República Checa Hungria Grécia	Haier Poland Sp. zo.o. Al. Jerozolimskie 181B 02-222 Warszawa POLAND
Reino Unido	Haier Appliances UK Co. Ltd. One Crown Square Church Street East Woking, Surrey, GU21 6HR UK	Roménia Rússia	

DISPONIBILIDADE DE PEÇAS SOBRESSELENTES: Termostatos, sensores de temperatura, placas de circuitos impressos e fontes de luz estão disponíveis durante um período mínimo de sete anos após a colocação da última unidade do modelo no mercado. Puxadores da porta, dobradiças da porta, bandejas e cestos durante um período mínimo de sete anos e juntas da porta durante um período mínimo de 10 anos, depois de colocada a última unidade do modelo no mercado

A garantia mínima é: 2 anos para os países da UE, 3 anos para a Turquia, 1 ano para o Reino Unido, 1 ano para a Rússia, 3 anos para a Suécia, 2 anos para a Sérvia, 5 anos para a Noruega, 1 ano para Marrocos, 6 meses para a Argélia, Tunísia nenhuma garantia legal necessária.

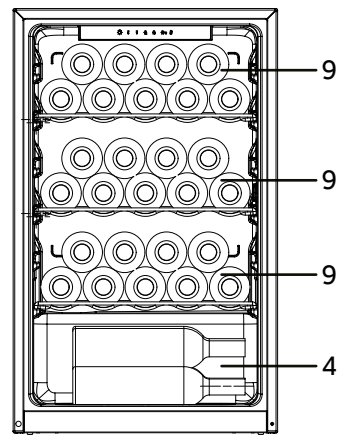
Para mais informações sobre o produto, consulte <https://eprel.ec.europa.eu/> ou digitalize o código QR na etiqueta energética fornecida com o aparelho.



HWS33GG

HWS33GGFR

(capacidade para 33 garrafas)



HWS31GGE

(capacidade para 31 garrafas)



Gebruikershandleiding

Wijnkast

HWS33GG
HWS31GGE
HWS33GGFR

NL

Haier

Bedankt voor de aankoop van dit Haier-product.

Lees deze instructies zorgvuldig door voordat u dit apparaat gebruikt. De instructies bevatten belangrijke informatie die u helpt het beste uit het apparaat te halen en veilige en correcte installatie, gebruik en onderhoud te waarborgen.

Bewaar deze handleiding op een handige plaats zodat u hem altijd kunt raadplegen voor een veilig en correct gebruik van het apparaat.

Als u het apparaat verkoopt, weggeeft of achterlaat wanneer u verhuist, zorg er dan voor dat u deze handleiding ook overdraagt, zodat de nieuwe eigenaar het apparaat en de veiligheidswaarschuwingen kan leren kennen.



Legenda

Waarschuwing - Belangrijke veiligheidsinformatie



Algemene informatie en tips



Milieu-informatie



Verwijdering

Help het milieu en de menselijke gezondheid te beschermen. Doe de verpakking in de daarvoor bestemde containers om deze te recyclen. Help het afval van elektrische en elektronische apparaten te recyclen. Gooi apparaten met dit symbool niet weg bij het huisvuil. Lever het product in bij uw plaatselijke recyclingsfaciliteit of neem contact op met uw gemeentekantoor.



WAARSCHUWING!

Gevaar voor letsel of verstikking!

Koelmiddelen en gassen moeten professioneel worden verwijderd. Controleer of de leidingen van het koelmiddelcircuit niet zijn beschadigd voordat ze op de juiste manier worden afgevoerd. Haal de stekker van het apparaat uit het stopcontact. Knip het netsnoer af en gooi het weg. Verwijder de bakken en laden en de deurvergrendeling en -afdichtingen, om te voorkomen dat kinderen en huisdieren in het apparaat worden opgesloten.

Oude apparaten hebben nog enige restwaarde. Een milieuvriendelijke verwijderingsmethode zorgt ervoor dat waardevolle grondstoffen kunnen worden teruggewonnen en opnieuw kunnen worden gebruikt.

Cyclopentaan, een brandbare stof die niet schadelijk is voor de ozonlaag, wordt gebruikt als expansiemiddel voor het isolatieschuim

Door dit product op de juiste manier af te voeren, helpt u mogelijke negatieve gevolgen voor het milieu en de menselijke gezondheid te voorkomen, die anders zouden kunnen worden veroorzaakt.

Voor meer gedetailleerde informatie over het recyclen van dit product kunt u contact opnemen met uw gemeente, uw huisvuilverwijderingsdienst of de winkel waar u het product hebt gekocht, om het door professionals te laten afvoeren.

1 - Veiligheidsinformatie	4
2 - Veiligheidstips	6
3 - Onderhoud	11
4 - Accessoires	12
5 - Productbeschrijving	14
6 - Installatie	15
7 - Gebruik	17
8 - Engergiebesparingenstips	18
9 - Apparatuur	19
10 - Onderhoud en reiniging	20
11 - Problemen oplossen	21
12 - Technische gegevens	25
13 - Klantenservice	26
14 - Wijnflessen stapelen	27

Dit apparaat is uitsluitend bedoeld voor het bewaren van wijn. Lees voordat u het apparaat voor het eerst inschakelt de volgende veiligheidstips:



WAARSCHUWING!

Vóór het eerste gebruik

- ▶ Controleer of er geen transportschade is.
- ▶ Verwijder alle verpakkingen, houd ze buiten bereik van kinderen en gooi ze op een milieuvriendelijke manier weg.
- ▶ Wacht ten minste twee uur voordat u het apparaat installeert, om er zeker van te zijn dat het koelmiddelcircuit volledig werkt.
- ▶ Verplaats het apparaat altijd met ten minste twee personen, het is namelijk zwaar.

Installatie

- ▶ Het apparaat moet op een goed geventileerde plaats worden geplaatst. Zorg voor een ruimte van ten minste 10 cm boven en rond het apparaat.
- ▶ **WAARSCHUWING:** Zorg ervoor dat de ventilatieopeningen in de behuizing van het apparaat of in de ingebouwde constructie open blijven.
- ▶ Plaats het apparaat nooit in een vochtige ruimte of op een plaats waar het met water kan worden bespat. Reinig en droog waterspatten en vlekken met een zachte, schone doek
- ▶ Plaats uw wijnkast niet op een niet goed geïsoleerde of verwarmde plek (bijv. de garage, enz.). Uw wijnkast is niet ontworpen om te werken bij een omgevingstemperatuur lager dan 16 °C.
- ▶ Installeer het apparaat niet in direct zonlicht of in de buurt van warmtebronnen (bijv. kachels, verwarmingstoestellen).
- ▶ Installeer het apparaat waterpas op een plaats die geschikt is voor de grootte en het gebruik ervan.
- ▶ Controleer of de elektrische informatie op het typeplaatje overeenkomt met de stroomvoorziening. Als dat niet het geval is, neem dan contact op met een elektricien.

**WAARSCHUWING!**

- ▶ Het apparaat wordt aangedreven met een voeding van 220-240 V/50 Hz. Abnormale spanningsschommelingen kunnen ertoe leiden dat het apparaat niet start of dat de temperatuurregeling of de compressor beschadigd raakt of dat er tijdens het gebruik een abnormaal geluid optreedt. In dat geval moet er een automatische regelaar worden gemonteerd.
- ▶ Gebruik geen stekkerdozen en verlengkabels.
- ▶ **WAARSCHUWING:** Plaats niet meerdere draagbare stopcontacten of draagbare voedingen op de achterkant van het apparaat.
- ▶ **WAARSCHUWING:** Zorg er bij het neerzetten van het apparaat voor dat het netsnoer niet bekneld of beschadigd raakt.
- ▶ Ga niet op de voedingskabel staan.
- ▶ Gebruik een apart geaard stopcontact voor de stroomvoorziening, dat gemakkelijk toegankelijk is. Het apparaat moet geaard zijn.
- ▶ Alleen voor het Verenigd Koninkrijk: (aard)stekker die past bij een standaard 3-pins (geaard) stopcontact. De derde pin (aarding) mag nooit worden afgesneden of gedemonteerd. Nadat het apparaat is geïnstalleerd, moet de stekker bereikbaar zijn.
- ▶ **WAARSCHUWING:** Beschadig het koelcircuit niet.

Dagelijks gebruik

- ▶ Dit apparaat mag worden gebruikt door kinderen vanaf 8 jaar en door personen met verminderde lichamelijke, zintuiglijke of geestelijke vermogens of met een gebrek aan kennis en ervaring, mits zij onder toezicht worden gehouden of instructies hebben gekregen om het apparaat veilig te kunnen gebruiken en de gevaren begrijpen die ermee gepaard gaan.
- ▶ Kinderen mogen niet met het apparaat spelen.
- ▶ Kinderen van 3 tot 8 jaar mogen wel koelapparatuur inladen en uitladen, maar niet reinigen en installeren.
- ▶ Houd kinderen onder de 3 jaar uit de buurt van het apparaat, tenzij ze voortdurend onder toezicht staan.
- ▶ Reiniging en onderhoud mogen niet zonder toezicht worden uitgevoerd door kinderen.
- ▶ Het apparaat moet zo worden geplaatst dat de stekker bereikbaar is.



WAARSCHUWING!

- ▶ Als er koolgas of ander brandbaar gas in de buurt van het apparaat lekt, moet u het ventiel van het lekkende gas sluiten, de deuren en ramen openen en mag u de stekker niet uit het stopcontact halen.
- ▶ Wacht minstens 7 minuten met het opnieuw aansluiten van de stroom nadat de stekker uit het stopcontact is gehaald.
- ▶ Til het apparaat niet op aan de deurgrepen.
- ▶ Let op, het apparaat is ingesteld om te werken in het specifieke omgevingsbereik tussen 16 en 38 °C. Het apparaat werkt misschien niet goed als het gedurende lange tijd in een temperatuur boven of onder het aangegeven bereik staat.
- ▶ Plaats geen onstabiele voorwerpen (zware voorwerpen, containers gevuld met water) op het apparaat, om persoonlijk letsel door vallen of elektrische schokken door contact met water te voorkomen.
- ▶ Open en sluit de deur alleen met de handgrepen. De ruimte tussen de deur en de kast is zeer smal. Steek uw handen niet in deze ruimtes, om te voorkomen dat uw vingers bekneld raken. Open of sluit de deuren van het apparaat alleen als er geen kinderen zijn die zich binnen het bewegingsbereik van de deur bevinden.
- ▶ Bewaar of gebruik in het apparaat of in de omgeving geen brandbare, explosieve of corrosieve materialen.
- ▶ Sla geen explosieve stoffen, zoals spuitbussen met een brandbaar drijfgas, op in dit apparaat.
- ▶ Bewaar geen geneesmiddelen, bacteriën of chemische middelen in het apparaat. Dit apparaat is een huishoudelijk apparaat. Het wordt niet aanbevolen om materialen op te slaan die strikte temperaturen vereisen.
- ▶ Stel de temperatuur in de wijnkast niet onnodig laag in. Bij een hoge instelling kunnen temperaturen onder nul optreden. Let op: Flessen kunnen barsten.
- ▶ Raak het binnenoppervlak van het apparaat niet aan wanneer het in werking is, vooral niet met natte handen, omdat uw handen aan het oppervlak vast kunnen vriezen.
- ▶ Voor een goede koeling van de wijn mag u het apparaat niet te vol laden.



WAARSCHUWING!

- ▶ Haal de stekker van het apparaat uit het stopcontact wanneer er een stroomonderbreking optreedt of voordat u het schoonmaakt. Laat het apparaat minstens 7 minuten rusten voordat u het opnieuw opstart, omdat vaak starten de compressor kan beschadigen.
- ▶ **WAARSCHUWING:** Gebruik geen elektrische apparaten in het apparaat, tenzij deze van het type zijn dat door de fabrikant wordt aanbevolen. Om risico's te vermijden moet een beschadigd netsnoer worden vervangen door de klantenservice (zie garantiekaart).
- ▶ Om de levensduur van het apparaat te verlengen, moet u het niet uitschakelen.
- ▶ Plaats het apparaat nooit horizontaal op de grond. Nadat u het apparaat meer dan 45° heeft gekanteld, moet u een half uur wachten tot u de stekker in het stopcontact steekt.

Onderhoud/reiniging

- ▶ Zorg ervoor dat kinderen onder toezicht staan als ze schoonmaak en onderhoud uitvoeren.
- ▶ Haal de stekker van het apparaat uit het stopcontact voordat u routineonderhoud uitvoert. Laat het apparaat minstens 7 minuten rusten voordat u het opnieuw opstart, omdat vaak starten de compressor kan beschadigen.
- ▶ Houd de stekker vast, niet het snoer, wanneer u de stekker uit het stopcontact haalt.
- ▶ Reinig het apparaat niet met harde borstels, draadborstels, waspoeder, benzine, amylacetaat, aceton en soortgelijke organische oplossingen, zure of alkalische oplossingen. Reinig het apparaat met een speciaal reinigingsmiddel voor koelkasten/vriezers om schade te voorkomen. U kunt eventueel ook een oplossing van warm water en zuiveringszout gebruiken – ongeveer een eetlepel zuiveringszout per liter water. Spoel grondig af met water en veeg droog. Gebruik geen schoonmaakpoeder of andere schurende middelen. Was verwijderbare onderdelen niet in een vaatwasser.
- ▶ **WAARSCHUWING:** Gebruik geen mechanische apparaten of andere middelen om het ontdooien te versnellen, behalve als

deze door de fabrikant worden aanbevolen.

- ▶ Als het netsnoer beschadigd is, moet het worden vervangen door de fabrikant, diens servicevertegenwoordiger of vergelijkbaar gekwalificeerde personen om gevaar te voorkomen.
- ▶ Probeer het apparaat niet zelf te repareren, te demonteren of te wijzigen. In geval van reparatie kunt u contact opnemen met onze klantenservice.
- ▶ Als de lampen zijn beschadigd, moeten deze worden vervangen door de fabrikant, diens servicevertegenwoordiger of vergelijkbaar gekwalificeerde personen om gevaar te voorkomen.
- ▶ Verwijder het stof aan de achterkant van het toestel ten minste eenmaal per jaar om brandgevaar en een verhoogd energieverbruik te voorkomen.
- ▶ Spuit niet op het apparaat tijdens het reinigen.
- ▶ Gebruik geen waterstraal of stoom om het apparaat schoon te maken.
- ▶ Reinig de koude glazen deur niet met warm water. Door plotselinge temperatuurveranderingen kan het glas breken.
- ▶ Als u het apparaat voor langere tijd buiten gebruik laat, laat het dan open staan om te voorkomen dat er binnenin onaangename geuren ontstaan.

Informatie over koelgas



WAARSCHUWING!

Het apparaat bevat het brandbare koelmiddel ISOBUTAAN (R600a). Controleer of het koelcircuit tijdens transport of installatie niet is beschadigd. Lekkend koelmiddel kan oogletsel veroorzaken of ontbranden. Als er schade is opgetreden, weghouden van open vuurbronnen, de kamer grondig ventileren, de stekker van het apparaat of enig ander apparaat niet in het stopcontact steken of eruit halen. Informeer de klantenservice.

Als de ogen in contact komen met het koelmiddel, spoel het dan onmiddellijk onder stromend water af en bel onmiddellijk de oogspecialist.

WAARSCHUWING: Het koelsysteem staat onder hoge druk. Wijzig er niets aan. Aangezien er brandbare koelmiddelen worden gebruikt, moet u het apparaat volgens de aanwijzingen installeren, verplaatsen en onderhouden en moet u contact opnemen met de professionele vertegenwoordiger of onze klantenservice om het apparaat te verwijderen.

Bedoeld gebruik

Dit apparaat is bedoeld voor huishoudelijk gebruik of voor soortgelijke toepassingen, zoals:

- personeelskeukens in winkels, kantoren en andere werkomgevingen;
 - op boerderijen en door gasten van hotels, motels en andere woonomgevingen;
 - in bed-and-breakfast-omgevingen;
 - voor catering en dergelijke toepassingen die niet voor de kleinhandel zijn.
- Neem deze gebruiksinstructies in acht om een veilige bewaring van de wijn te garanderen.
- De gegevens over het meest geschikte gedeelte in de koelruimte van het toestel waar specifieke soorten levensmiddelen moeten worden opgeslagen, rekening houdend met de verdeling van de temperatuur die in de verschillende ruimten van het apparaat aanwezig kan zijn, staan in het andere deel van de handleiding.

Wijzigingen of aanpassingen aan het apparaat zijn niet toegestaan. Onbedoeld gebruik kan risico's en verlies van garantieclaims veroorzaken.

Verwijdering



Het symbool  op het product of op de verpakking geeft aan dat dit product niet als huishoudelijk afval mag worden behandeld. In plaats daarvan moet het bij het toepasselijke inzamelpunt voor het recyclen van elektrische en elektronische apparatuur worden ingeleverd. Door dit product correct te verwijderen, helpt u potentiële negatieve gevolgen voor het milieu en de menselijke gezondheid te voorkomen, die anders door de verkeerde behandeling van dit product als afval zouden kunnen worden veroorzaakt. Voor meer gedetailleerde informatie over de recycling van dit product neemt u contact op met het gemeentekantoor in uw woonplaats, de dienst voor verwijdering van huishoudelijk afval of de winkel waar u het apparaat hebt gekocht.

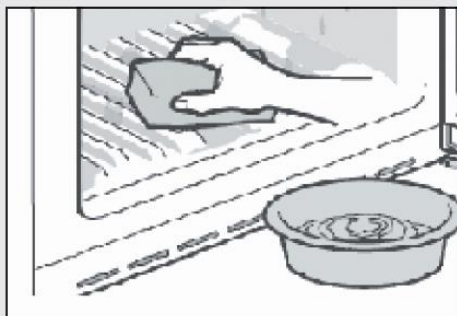
Aangezien er brandbare isolatiegassen worden gebruikt, moet u contact opnemen met de professionele vertegenwoordiger of onze klantenservice om het apparaat te verwijderen.

WAARSCHUWING!

Gevaar voor verstikking!

Koelmiddelen en gassen moeten professioneel worden verwijderd. Controleer of de leidingen van het koelmiddelcircuit niet zijn beschadigd voordat ze op de juiste manier worden afgevoerd. Haal de stekker van het apparaat uit het stopcontact. Knip het netsnoer af en gooi het weg. Verwijder de bakken en laden en de deurvergrendeling en -afdichtingen, om te voorkomen dat kinderen en huisdieren in het apparaat worden opgesloten.

- ▶ **WAARSCHUWING:** Haal de stekker van het apparaat uit het stopcontact voordat u het reinigt.
- ▶ Reinig het apparaat niet met harde borstels, draadborstels, waspoeder, benzine, amylacetaat, aceton en soortgelijke organische oplossingen, zure of alkalische oplossingen. Reinig het apparaat met een speciaal reinigingsmiddel voor koelkasten om schade te voorkomen.
- ▶ Reinig het apparaat wanneer er weinig of geen wijn is opgeslagen. Het hoeft alleen te worden schoongemaakt wanneer het vuil is.
- ▶ Reinig de binnenkant en behuizing van het apparaat met een spons die is bevochtigd in warm water en een neutraal reinigingsmiddel.
- ▶ Spoel af met schoon warm water en droog af met een droge doek.
- ▶ Reinig de onderdelen van het apparaat niet in een vaatwasser.
- ▶ Laat het apparaat minstens 7 minuten rusten voordat u het opnieuw opstart, omdat vaak opstarten de compressor kan beschadigen.



De deurpakking reinigen:

- ▶ De pakkingen van de deur moeten worden gereinigd om een goede dichting te garanderen. Zoals hieronder: Verwijderen: Pak de deurpakking vast en trek hem naar buiten in de richting van de pijl om de hele deurpakking te verwijderen. Doop de borstel in water of voedselkwaliteit alcohol, reinig eerst de groef van de deurpakking door de borstel



heen en weer te trekken. Veeg vervolgens het oppervlak van de deurpakking af met een handdoek die gedrenkt is in water of alcohol van voedselkwaliteit. Was tot slot de deurpakking schoon en veeg deze droog met een schone handdoek.

De deurpakking installeren na het reinigen:

Zorg er voor de installatie voor dat er geen water op de deurpakking staat. Steek de pakking van de deur in de groef en duw de deurpakking van boven naar beneden met de hand stevig aan totdat de hele deurpakking in de groef zit.

De schappen schoonmaken:

Alle schappen kunnen worden verwijderd voor reiniging.

Haal alle flessen uit het apparaat.

Til elk schap een beetje op en verwijder.

Reinig het schap met een zachte handdoek.

Wacht totdat de schappen droog zijn voordat u ze terugplaatst.

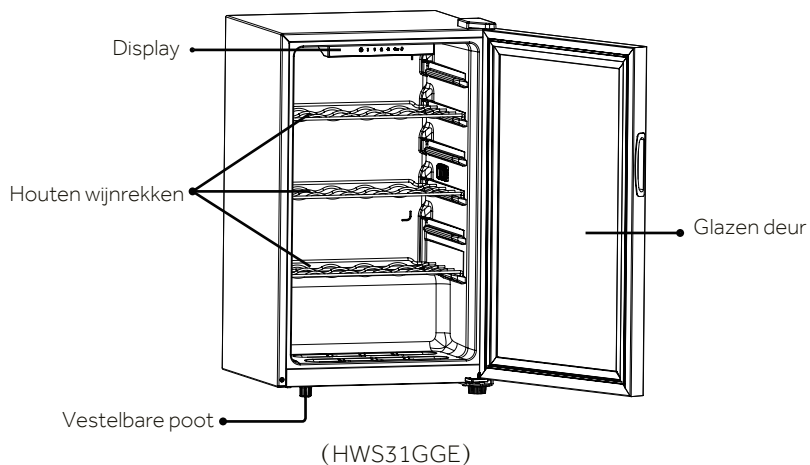
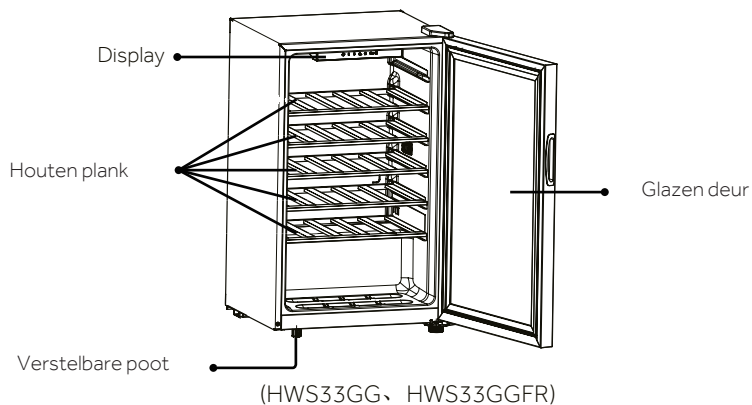
Controleer de accessoires en literatuur volgens deze lijst: zonder isolatie.

Productmodel	Gebruikersaanwijzing	Informatiekit	Wijnschappen	Stalen draadplanken
HWS33GG	1	1	5	0
HWS31GGE	1	1	0	3
HWS33GGFR	1	1	5	0

Let op

Door technische wijzigingen en verschillende modellen kunnen sommige afbeeldingen in deze handleiding afwijken van uw model.

Afbeelding van het apparaat



Dit product bevat een lichtbron van energie-efficiëntieklasse G.

1. Uitpakken

- ▶ Haal het apparaat uit de verpakking.
- ▶ Verwijder al het verpakkingsmateriaal, inclusief de schuimbodem en al het plakband waarmee de accessoires vastzitten.

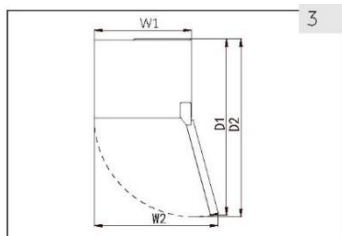
2. Omgevingsomstandigheden

De kamertemperatuur moet altijd tussen 16°C en 38°C liggen, aangezien het de temperatuur in het apparaat en het energieverbruik kan beïnvloeden. Installeer het apparaat niet in de buurt van andere warmtebronnen (ovens, koelkasten) zonder isolatie.

3. Benodigde ruimte

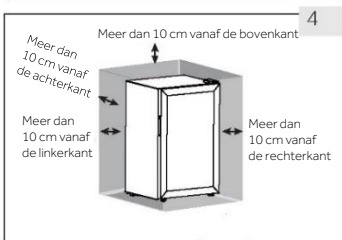
Benodigde ruimte om de deur te openen (afb. 3).

Breedte in mm		Diepte in mm	
B1	B2	D1	D2
499	633	905	919



4. Ventilatie ruimte

Om veiligheids- en energieredenen moet de vereiste ventilatieafstand van 10 cm in alle richtingen in acht worden genomen (afb. 4).



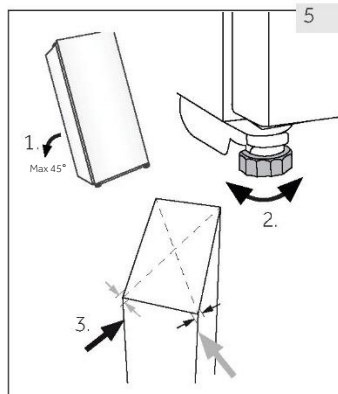
WAARSCHUWING!

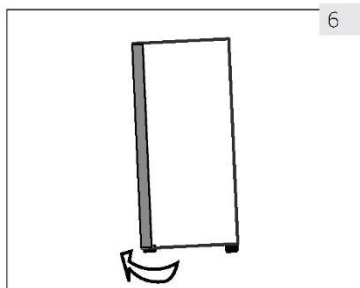
- ▶ Zorg ervoor dat de ventilatieopeningen in het apparaat of in de ingebouwde constructie open blijven. Dit koelapparaat is niet bedoeld voor gebruik als inbouwapparaat.

5. Het apparaat uitlijnen

Het apparaat moet op een vlakke en stevige ondergrond worden geplaatst.

1. Kantel het apparaat iets naar achteren (afb. 5).
2. Stel de verstelbare voorste pootjes in op het gewenste niveau door ze te draaien.
3. De stabiliteit kan worden gecontroleerd door afwisselend op de diagonalen te duwen. De lichte slingering moet in beide richtingen hetzelfde zijn. Anders kan het frame kromtrekken; mogelijk lekkende deurafdichtingen zijn het resultaat. Een kleine helling naar achteren vergemakkelijkt het sluiten van de deur.





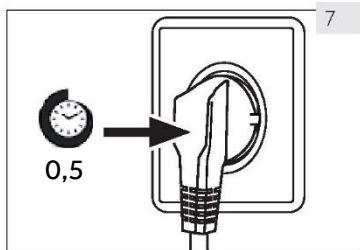
6

6. Fijnafstelling van de deur

Het apparaat sluit gemakkelijker af als de stelvoetjes aan de voorkant worden gebruikt:

Draai aan de verstelbare voetjes (afb. 6) om ze omhoog of omlaag te draaien:

- ▶ Door de voetjes rechtsom te draaien, gaat het apparaat omhoog.
- ▶ Door de voetjes linksom te draaien, gaat het apparaat omlaag



7

7. Wachtijd

De onderhoudsvrije smeerolie bevindt zich in de behuizing van de compressor. Deze olie kan tijdens het vervoer door het gesloten leidingsysteem komen als het apparaat wordt gekanteld. Voordat u het apparaat op de voeding aansluit, wacht u 0,5 uur (afb. 7) zodat de olie weer in de behuizing loopt.

8. Elektrische aansluiting

Controleer vóór elke aansluiting of:

- ▶ voeding, stopcontact en zekering geschikt zijn volgens het typeplaatje;
- ▶ het stopcontact is geaard en er geen stekkerdoos of verlengsnoer is;
- ▶ de stekker en het stopcontact goed passen.

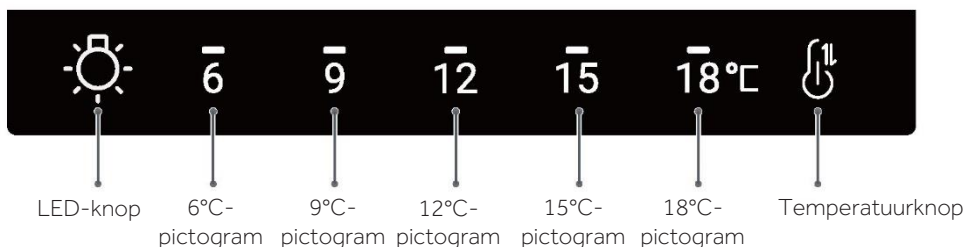
Sluit de stekker aan op een correct geïnstalleerd huishoudelijk stopcontact.



WAARSCHUWING!

Om risico's te vermijden moet een beschadigd netsnoer worden vervangen door de klantenservice (zie garantiekaart).

Bedieningspaneel



Het temperatuurbereik van het displaypaneel is 6~18°C

De standaard instellingstemperatuur is 12°C

U kunt de temperatuur instellen op basis van uw wijnopslagvereisten.

1. Temperatuuraanpassingen

Druk op de 'Temperatuurknop' om het streepje boven het pictogram van de ingestelde temperatuur te laten oplichten; druk nogmaals op de 'Temperatuurknop' en stel de temperatuur een stap hoger in, er zijn in totaal van 5 stappen. Wanneer de temperatuur 18°C bereikt, gaat de cyclus weer terug naar en verder vanaf 6°C als u doorgaat met aanpassen. Wanneer het gewenste vermogen is geselecteerd en er 5 seconden geen actie wordt uitgevoerd, dan keert het systeem automatisch terug naar de huidige instellingsparameters.

2. Binnenverlichting

Druk eenmaal op de 'Lampknop' en de verlichting in de kast gaat aan; druk nogmaals op de 'Lampknop' en de verlichting in de kast gaat weer uit; en vice versa.

3. Geheugenfunctie bij stroomonderbreking

De temperatuurinstelling van de kast wordt onthouden. Na het opnieuw insteken van de stekker gaat de kast terug naar de eerder ingestelde stand.



Tips voor energiebesparing

- ▶ Zorg ervoor dat het apparaat goed wordt geventileerd (zie INSTALLATIE).
- ▶ Installeer het apparaat niet in direct zonlicht of in de buurt van warmtebronnen (bijv. kachels, verwarmingstoestellen).
- ▶ Vermijd onnodig lage temperaturen in het apparaat. Het energieverbruik neemt toe naarmate de temperatuur in het apparaat lager is ingesteld.
- ▶ Open de deur van het apparaat zo weinig mogelijk en zo kort mogelijk.
- ▶ Overschrijd de voorgeschreven hoeveelheid flessen niet, om te voorkomen dat de luchtstroom wordt belemmerd.
- ▶ Houd de deurpakking schoon, zodat de deur altijd goed sluit.
- ▶ Voor de meest energiebesparende configuratie moeten de schappen in fabrieksconditie in het apparaat worden geplaatst en moet de wijn zo worden geplaatst dat deze de luchtuitlaat van het ventilatiesysteem niet blokkeert.

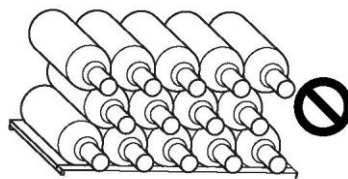
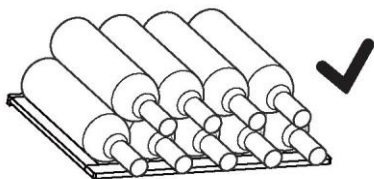
1. Schap

1. De schappen zijn zo ontworpen dat de wijn gemakkelijk kan worden opgeslagen en verwijderd. Ze kunnen met een zachte handdoek worden gereinigd.
2. Regelmatige gevormde flessen met een diameter van 76 mm kunnen worden opgestapeld.
3. Grote flessen kunnen onderin op de bodem worden opgestapeld.
4. De hoeveelheid kan variëren van het aangegeven aantal flessen als ze op een andere manier worden opgestapeld.

Voorzorgsmaatregelen voor het gebruik van de wijnkast

Plaats niet te veel wijn in de kast om de draagcapaciteit van de wijschappen niet te overschrijden. Plaats niet meer dan drie lagen wijn op elk schap. Het aantal wijnflessen mag niet hoger zijn dan drie lagen op elk schap, of de belading van de wijschappen mag niet meer dan 15 kg zijn.

Voordat u de flessen in de wijnkast plaatst, moet u controleren of de wijschappen volledig stabiel zijn. Bovendien moet u controleren of er geen flessen uitsteken voorbij de schappen, om te voorkomen dat flessen de glazen deur raken bij het sluiten.



2. De verlichting

Druk terwijl de deur open is op de lichtknop  en zet het licht aan; druk nogmaals op de lichtknop  en zet het licht uit.

3. Automatisch ontdooien

Dit apparaat heeft een automatische ontdooifunctie. Zorg er tijdens het gebruik voor dat het afvoergat niet geblokkeerd wordt, zodat het dooiwater ongehinderd door het afvoergat in het waterreservoir in de kast kan stromen.

Reinig regelmatig de wateropvangsers aan de onderkant van de compartimenten; gebruik een droge doek om het water in de wateropvangsers te absorberen en veeg ze schoon (elke drie maanden reinigen, zoals voorgesteld).

1. Ontdooien

Het ontdooien van de wijnkast gebeurt automatisch; er is geen handmatige actie nodig.

2. De ledlamp vervangen

De lamp gebruikt een led als lichtbron, met een laag energieverbruik en een lange levensduur. Als er sprake is van een afwijking, neem dan contact op met de klantenservice. Zie KLANTENSERVICE.



WAARSCHUWING!



Vervang de ledlamp niet zelf. Deze mag alleen worden vervangen door de fabrikant of de erkende servicevertegenwoordiger.

Parameters van de ledlamp:

Spanning 12 V; max. 2 W

3. Niet gebruiken voor een langere periode

Haal de stekker van het netsnoer uit het stopcontact.

Reinig het apparaat en de deuropakkingen zoals hierboven beschreven.

Houd de deur open om de vorming van nare geuren binnenin te voorkomen.

4. Het apparaat verplaatsen

1. Verwijder alle flessen en haal de stekker van het apparaat uit het stopcontact.
2. Zet schappen en andere beweegbare delen in de wijnkast vast met plakband.
3. Kantel de wijnkast niet meer dan 45° om schade aan het koelsysteem te voorkomen.

Veel problemen kunnen door uzelf worden opgelost zonder specifieke expertise. Raadpleeg in geval van een probleem alle getoonde mogelijkheden en volg de onderstaande instructies voordat u contact opneemt met de klantenservice. Zie KLANTENSERVICE.



WAARSCHUWING!

- ▶ Schakel het apparaat uit voordat u onderhoud uitvoert en haal de stekker uit het stopcontact.
- ▶ Elektrische apparatuur mag alleen worden onderhouden door gekwalificeerde elektrische experts, omdat onjuiste reparaties aanzienlijke gevolgschade kunnen veroorzaken.
- ▶ Als de voeding beschadigd is, mag deze alleen worden vervangen door de fabrikant, diens servicevertegenwoordiger of vergelijkbaar gekwalificeerde personen om gevaar te voorkomen.

Foutcode	Oorzaak	Oplossing
Het pictogram '9' knippert	Storing koelsensor.	Bel de aftersales-dienst.
Het pictogram '12' knippert	Cryogeen alarm koelsensor.	Bel de aftersales-dienst.

Probleem	Mogelijke oorzaak	Mogelijke oplossing
Vorst op de achterkant van de binnenbekleding?	<ul style="list-style-type: none"> Koelleidingen zitten aan de achterkant van de binnenbekleding van een wijnkast. 	<ul style="list-style-type: none"> Dit is een normaal fenomeen. De kast zal automatisch bevroren zonder dat dit van invloed is op normaal gebruik.
Te veel lawaai?	<ul style="list-style-type: none"> Instabiel geplaatst. 	<ul style="list-style-type: none"> Pas de stelpeet aan de onderkant aan om de kast stabiel te houden. Zorg dat de kast geen andere voorwerpen of muren aanraakt.
Geluid van vloeistof dat door de kast stroomt?	<ul style="list-style-type: none"> Geluid van koelmiddelen die door de circulatieleiding van het koelsysteem stromen. 	<ul style="list-style-type: none"> Dit is een normaal fenomeen.
De wijnkast werkt niet?	<ul style="list-style-type: none"> Verbinding tussen de stekker van de wijnkast en het stopcontact. Beschermingsmodus van de compressor. 	<ul style="list-style-type: none"> Zorg ervoor dat de stekker van de wijnkast goed in het stopcontact zit; dat er stroom op het stopcontact staat; dat de zekering is aangesloten. De compressor heeft een beschermingsmodus met een interval van 7 minuten.
Waarom zijn er kleine richeltjes aan beide zijden van de behuizing?	<ul style="list-style-type: none"> Het fenomeen van uitzetten en inkrimpen veroorzaakt door hitte. 	<ul style="list-style-type: none"> Dit is een normaal fenomeen. Het doel is om te zorgen voor een goede warmteafvoer en een goede efficiënte werking van de wijnkast.
Deur behuizing niet goed gesloten, luchtlekkage?	<ul style="list-style-type: none"> Na enige tijd gebruik van het product wordt de deurafdichting gemakkelijk hard en vervormd door de lagere temperatuur in de kast. 	<ul style="list-style-type: none"> Verwarm het vervormde gebied met hete lucht van een föhn of bedek het vervormde gebied met een hete handdoek. Sluit de deur zorgvuldig wanneer de deurafdichting zacht is.
Compressor blijft lange tijd draaien?	<ul style="list-style-type: none"> Is de deur van de kast niet te vaak gesloten of geopend? Te veel flessen tegelijk geplaatst. Is de instelling van de kast te laag? 	<ul style="list-style-type: none"> Sluit de deur goed of doe hem minder vaak open. Plaats niet te veel flessen in één keer, en laat ruimte tussen de flessen. De instelling van de kast kan op passende wijze worden aangepast.

Probleem	Mogelijke oorzaak	Mogelijke oplossing
Als de wijnkast aan staat, klinkt er dan een klik?	<ul style="list-style-type: none"> • Thermische uitzetting en inkrimping bij temperatuurveranderingen en verschillende materialen. Tijdens het gebruik veroorzaken de zekering en andere elektrische componenten een 'klik'-geluid. 	<ul style="list-style-type: none"> • Dit is een normaal fenomeen.
Koelt de wijnkast niet goed?	<ul style="list-style-type: none"> • Is de temperatuurinstelling te hoog? • Blootgesteld aan direct zonlicht of warmtebronnen in de buurt. • Er zijn warme dranken in de wijnkast gezet. • De flessen in de wijnkast liggen te dicht op elkaar. • Wordt de wijnkastdeur vaak geopend en gesloten? 	<ul style="list-style-type: none"> • Verlaag de temperatuurinstelling. • Vermijd direct zonlicht en houd uit de buurt van warmtebronnen. • Dranken mogen niet te warm zijn. • Niet te veel flessen plaatsen. • Sluit de deur goed of doe hem minder vaak open.
Ruikt de wijnkast gek?	<ul style="list-style-type: none"> • De nieuw gekochte wijnkast ruikt naar schuimmiddel of plastic. 	<ul style="list-style-type: none"> • Dit is een normaal fenomeen en zal bij gebruik langzaam verdwijnen. • Controleer of er dranken in de kast zitten die niet meer houdbaar zijn. • Sterk ruikende dranken moeten goed in plastic zakken worden verpakt. • De wijnkast moet regelmatig worden schoongemaakt.
Zit er condens op de deur van de wijnkast?	<ul style="list-style-type: none"> • Wordt de deur te vaak of te lang geopend? • Is de temperatuurinstelling in de kast te laag? • Hoge omgevingstemperatuur en vochtigheid. 	<ul style="list-style-type: none"> • Sluit de deur goed of doe hem minder vaak open. • De temperatuur in de kast mag niet te laag worden ingesteld. • Droog het af met een droge doek.
Is de verlichting niet helder?	<ul style="list-style-type: none"> • Is de stroom aangesloten? • Is de lamp beschadigd? 	<ul style="list-style-type: none"> • Controleer de stroomtoevoer. • Controleer de lamp.

Ga naar onze website om contact op te nemen met de technische dienst:

<https://corporate.haier-europe.com/en/>

Kies onder de kop 'websites' het merk van uw product en uw land. U wordt doorgestuurd naar de specifieke website waar u het telefoonnummer kunt vinden en contact kunt opnemen met de technische dienst.

Productkaart volgens de verordening EU nr. 2019/2016

Mark	Haier	Haier	Haier
Modelnaam/identificatie	HWS33GG	HWS31GGE	HWS33GGFR
Nominale flesinhoud	33	31	33
Categorie huishoudelijke koeling	I	I	I
Energie-efficiëntieklasse	G	G	G
Jaarlijks energieverbruik(kWh/jaar)	154	154	154
Opslagvolume(L)	93	93	93
Klimaatklasse:Dit apparaat is bedoeld voor gebruik bij een omgevingstemperatuur tussen 16°C en 38°C	ST	ST	ST
Geluidsemissies via de luchtdb(A) re 1pW	C(37)	C(37)	C(37)
Type apparaat	Freestanding	Freestanding	Freestanding
Dit apparaat is uitsluitend bedoeld voor hetewaren van wijn	Ja	Ja	Ja
Afmetingen(D/B/H en mm)	455/499/830	455/499/830	455/499/830

Uitleg:

1) gebaseerd op de resultaten van de standaardtest gedurende 24 uur. Het werkelijke energieverbruik is afhankelijk van de werkelijke omgeving, het aantal flessen, de ingestelde temperatuur, het openen en sluiten van de deur, enz.

2) Het nominale stroomverbruik is de volgens de standaardtest verkregen waarde waarbij de binnenverlichting en de luchtcirculatie niet zijn ingeschakeld in de wijnkast.

- Uitgebreid gematigd: 'dit koelapparaat is bedoeld voor gebruik bij omgevingstemperatuur variërend van 10°C tot 32°C';
- Gematigd: 'dit koelapparaat is bedoeld voor gebruik bij omgevingstemperatuur variërend van 16°C tot 32°C';
- Subtropisch: 'dit koelapparaat is bedoeld voor gebruik bij omgevingstemperatuur variërend van 16°C tot 38°C';
- Tropisch: 'dit koelapparaat is bedoeld voor gebruik bij omgevingstemperatuur variërend van 16°C tot 43°C';

Normen en richtlijnen

Dit product voldoet aan de eisen van alle toepasselijke EG-richtlijnen met de bijbehorende geharmoniseerde normen die voorzien in een CE-markering.

Wij adviseren onze Haier klantenservice en het gebruik van originele onderdelen.

Als u een probleem hebt met uw apparaat, controleer dan eerst het hoofdstuk

PROBLEEM OPLOSSEN. Als u daar geen oplossing kunt vinden, neem dan contact op met

- ▶ uw plaatselijke dealer; of
- ▶ ga naar de Service & Support-zone op www.haier.com waar u telefoonnummers en veelgestelde vragen kunt vinden en waar u de serviceclaim kunt activeren.

Om contact op te nemen met onze klantenservice, moet u ervoor zorgen dat u over de volgende gegevens beschikt.

De informatie is te vinden op het typeplaatje.

Model _____ Serienummer _____

Controleer ook de garantiekaart die met het product is meegeleverd in geval van garantie.

Voor algemene zakelijke vragen vindt u hieronder onze adressen in Europa:

Europese Haier-adressen			
Land*	Postadres	Land	Postadres
Italië	Haier Europe Trading SRL Via de Cristoforis, 12 21100 Varese ITALY	Frankrijk	Haier Europe Trading SRL Via de Cristoforis, 12 21100 Varese ITALY
Spanje Portugal	Haier Iberia SL Pg. Garcia Faria, 49-51 08019 Barcelona SPAIN	België-FR België-NL Nederland Luxemburg	Haier Benelux SA Anderlecht Route de Lennik 451 BELGIUM
Duitsland Oostenrijk	Haier Deutschland GmbH Hewlett-Packard-Str. 4 D-61352 Bad Homburg GERMANY	Polen Tsjechië Hongarije Griekenland	Haier Poland Sp. zo.o. Al. Jerozolimskie 181B 02-222 Warszawa (Warschau) POLAND
Verenigd Koninkrijk	Haier Appliances UK Co. Ltd. One Crown Square Church Street East Woking, Surrey, GU21 6HR UK	Roemenië Rusland	

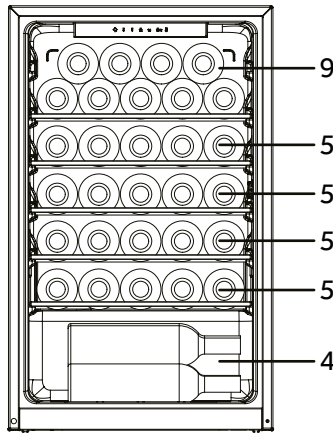
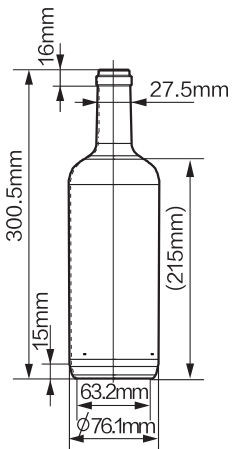
BESCHIKBAARHEID VAN RESERVEONDERDELEN: Thermostaten,

temperatuursensoren, printplaten en lichtbronnen zijn gedurende minimaal zeven jaar na het op de markt brengen van de laatste eenheid van het model beschikbaar.

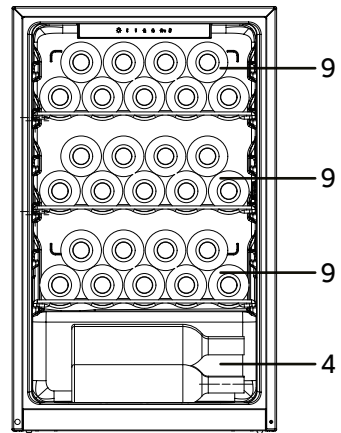
Deurgrepen, deurscharnieren, bakken en manden voor een minimale periode van zeven jaar en deurpakkingen ten minste 10 jaar na het op de markt brengen van de laatste eenheid van het model.

De minimaalgarantie is: 2 jaar voor EU-landen, 3 jaar voor Turkije, 1 jaar voor het Verenigd Koninkrijk, 1 jaar voor Rusland, 3 jaar voor Zweden, 2 jaar voor Servië, 5 jaar voor Noorwegen, 1 jaar voor Marokko, 6 maanden voor Algerije, Tunesië geen wettelijke garantie vereist.


Raadpleeg voor meer informatie over het product <https://eprel.ec.europa.eu/> of scan de QR op het energielabel dat bij het apparaat is geleverd.



HWS33GG
HWS33GGFR
(33 bottle capacity)



HWS31GGE
(31 bottle capacity)



Ръководство за
потребителя

Витрини за вино

HWS33GG
HWS31GGE
HWS33GGFR

BG

Haier

Благодарим ви, че закупихте продукт Haier.

Моля, прочетете внимателно инструкциите, преди да използвате този уред. Инструкциите съдържат важна информация, която ще ви помогне да получите най-доброто от уреда и да осигурите безопасно и правилно монтиране, употреба и поддръжка.

Съхранявайте това ръководство на удобно място, за да можете по всяко време да правите справка с него за безопасно и правилно използване на уреда.

Ако продавате, подарявате или оставяте уреда, когато се местите, уверете се, че сте предали и това ръководство, за да може новият собственик да се запознае с уреда и предупрежденията за безопасност.



Легенда

Предупреждение – Важна информация за безопасност



Обща информация и съвети



Информация за околната среда



Изхвърляне

Помогнете за опазването на околната среда и човешкото здраве. Поставете опаковката в подходящи контейнери, за да бъде рециклирана. Помогнете за рециклирането на отпадъци от електрически и електронни уреди. Уреди, обозначени с този символ, не трябва да бъдат изхвърляни заедно с битовите отпадъци. Върнете продукта в местното съоръжение за рециклиране или се свържете с общинската служба.



ПРЕДУПРЕЖДЕНИЕ!

Опасност от нараняване или задушаване!

Хладилните агенти и газовете трябва да се изхвърлят компетентно. Преди да изхвърлите по подходящия начин, се уверете, че тръбите на охладителната верига не са повредени. Изключете уреда от захранването. Отрежете захранващия кабел и го изхвърлете. Извадете тавите и чекмеджетата, както и фиксатора и уплътненията на вратата, за да предотвратите затварянето на деца и домашни любимци в уреда.

Старите уреди все още имат някаква остатъчна стойност. Природосъобразен метод за изхвърляне ще гарантира, че ценните суровини могат да бъдат възстановени и използвани отново.

Циклопентанът, запалимо вещество, което не е вредно за озоновия слой, се използва като разширител за изолационната пяна.

Като гарантирате правилното изхвърляне на продукта, ще помогнете за предотвратяване на потенциални отрицателни последици за околната среда и човешкото здраве, които в противен случай биха могли да бъдат причинени.

За по-подробна информация относно рециклирането на този продукт, моля, свържете се с вашата община, с местната служба по изхвърляне на битови отпадъци или с магазина, от който сте закупили продукта, за да бъде поет от компетентни лица.

1 - Информация за безопасност	4
2 - Съвети за безопасност.....	6
3 - Поддръжка.....	11
4 - Аксесоари	12
5 - Описание на продукта	14
6 - Монтиране	15
7 - Употреба	17
8 - Съвети за пестене на енергия	18
9 - Оборудване.....	19
10 - Грижа и почистване	20
11 - Отстраняване на неизправности.....	21
12 - Технически данни	25
13 - Обслужване на клиенти	26
14 - Подреждане на бутилки вино.....	27

Този уред е предназначен да се използва изключително за съхранение на вино. Преди да включите уреда за първи път, прочетете следните съвети за безопасност:



ПРЕДУПРЕЖДЕНИЕ!

Преди първоначална употреба

- ▶ Уверете се, че няма транспортни повреди.
- ▶ Отстранете всички опаковъчни материали и ги дръжте на място, недостъпно за деца, и ги изхвърлете по природосъобразен начин.
- ▶ Изчакайте поне два часа преди монтирането на уреда, за да сте сигурни, че охладителната верига е напълно ефективна.
- ▶ Уредът трябва да се мести винаги поне от двама души, защото е тежък.

Монтиране

- ▶ Уредът трябва да бъде поставен на добре проветриво място. Осигурете пространство от най-малко 10 см над уреда и около уреда.
- ▶ **ПРЕДУПРЕЖДЕНИЕ:** Поддържайте вентилационните отвори на корпуса на уреда или на вградената конструкция свободни от препятствия.
- ▶ Никога не поставяйте уреда на влажно място или на място, където има опасност да бъде пръскан с вода. Почиствайте и изсушавайте пръски вода и петна с мека чиста кърпа.
- ▶ Не поставяйте витрината за вино на места, които не са добре изолирани или отоплявани (например гараж и др.). Вашата витрина за вино не е предназначена да работи при температура на околната среда под 16° C.
- ▶ Не поставяйте уреда на пряка слънчева светлина или в близост до източници на топлина (напр. печки, нагреватели).
- ▶ Поставете и нивелирайте уреда в зона, подходяща за неговия размер и употреба.
- ▶ Уверете се, че информацията за електрическата инсталация на табелката с данни съответства на захранването. Ако не е така, свържете се с електротехник.

**ПРЕДУПРЕЖДЕНИЕ!**

- ▶ Уредът работи при хранване с мощност 220-240 V/50 Hz. Необичайните флукуации в хранващото напрежение могат да доведат до неуспешно стартиране на уреда, да повредят управлението на температурата или компресора или да причинят необичаен шум при работа. В такъв случай се монтира автоматичен регулатор.
- ▶ Не използвайте разклонители и удължители.
- ▶ ПРЕДУПРЕЖДЕНИЕ: Не разполагайте преносими разклонители или преносими източници на хранване в задната част на уреда.
- ▶ ПРЕДУПРЕЖДЕНИЕ: При позициониране на уреда, уверете се, че хранващият кабел не е заклещен или повреден.
- ▶ Не стъпвайте върху хранващия кабел.
- ▶ Използвайте отделен заземен контакт за хранването, който е леснодостъпен. Уредът трябва да е заземен.
- ▶ Само за Великобритания: (заземяващ) щепсел, който отговаря на стандартен 3-кабелен (заземен) контакт. Никога не отрязвайте или демонтирайте третия щифт (заземяване). След поставянето на уреда трябва да има достъп до щепсела.
- ▶ ПРЕДУПРЕЖДЕНИЕ: Не повреждайте охладителната верига.

Ежедневна употреба

- ▶ Този уред може да се използва от деца над 8-годишна възраст и от лица с намалени физически, сетивни или умствени способности или липса на опит и познания, ако се наблюдават или са инструктирани за използването на уреда по безопасен начин и разбират свързаните с това опасности.
- ▶ Децата не бива да използват уреда за игра.
- ▶ Деца на възраст от 3 до 8 години могат да зареждат и разтоварват хладилни уреди, но не могат да ги почистват и монтират.
- ▶ Деца под 3-годишна възраст трябва да се пазят далеч от уреда, с изключение на случаите, когато са под постоянен надзор.

**ПРЕДУПРЕЖДЕНИЕ!**

- ▶ Почистването и потребителската поддръжка на уреда не бива да се извършва от деца без надзор.
- ▶ Уредът трябва да е разположен така, че щепселът да е достъпен.
- ▶ Ако в близост до уреда изтича охладителен газ или друг запалим газ, изключете вентила на изтичащия газ, отворете вратите и прозорците и не изваждайте щепсела от захранващия кабел на уреда.
- ▶ След изключване на захранването изчакайте поне 7 минути, за да включите отново.
- ▶ Не вдигайте уреда за дръжките на вратата.
- ▶ Обърнете внимание, че уредът е настроен за работа в определен диапазон на температурата на околната среда между 16 и 38° C. Уредът може да не работи правилно, ако е оставен за дълъг период при температура над или под посочения диапазон.
- ▶ Не поставяйте нестабилни предмети (тежки предмети, съдове, пълни с вода) върху уреда, за да избегнете нараняване, причинено от падане или токов удар при контакт с вода.
- ▶ Отваряйте и затваряйте вратата само посредством дръжките. Пролуката между вратата и шкафа е много тясна. Не поставяйте ръцете си в тези зони, за да избегнете прищипване на пръстите. Отваряйте или затваряйте вратите на уреда само когато в обсега на движението на вратата няма деца.
- ▶ Не съхранявайте и не използвайте запалими, експлозивни или корозивни материали в уреда или в близост до него.
- ▶ Не съхранявайте взривни вещества като аерозолни флакони със запалимо гориво в този уред.
- ▶ Не съхранявайте лекарства, бактерии или химически агенти в уреда. Това е домакински уред. Не се препоръчва да съхранявате материали, които изискват строги температури.
- ▶ Не задавайте излишно ниска температура в отделението за вино. При високи настройки могат да възникнат минусови температури. Внимание: Бутилките могат да се пръснат.
- ▶ Не докосвайте вътрешната повърхност на уреда, когато той работи, особено с мокри ръце, тъй като ръцете ви могат да замръзнат върху повърхността.



ПРЕДУПРЕЖДЕНИЕ!

- ▶ За правилно охлаждане на виното, не претоварвайте уреда.
- ▶ Изключете уреда от електрическата мрежа в случай на прекъсване на захранването или преди почистване. Изчакайте поне 7 минути, преди да включите отново уреда, тъй като честото стартиране може да повреди компресора.
- ▶ **ПРЕДУПРЕЖДЕНИЕ:** Не използвайте електрически уреди в уреда, освен ако не са от вид, препоръчан от производителя. За да се избегнат рискове, повреден захранващ кабел трябва да се заменя от сервизния отдел (вижте гаранционната карта).
- ▶ За да удължите експлоатационния живот на уреда, избягвайте да го изключвате.
- ▶ Никога не поставяйте уреда в хоризонтално положение върху земята. След като наклоните уреда повече от 45°, изчакайте 30 минути, преди да го включите.

Поддръжка/почистване

- ▶ Ако деца извършват почистване и поддръжка, се уверете, че са под надзор.
- ▶ Изключете уреда от електрическото захранване, преди да предприемете каквато и да е рутинна поддръжка. Изчакайте поне 7 минути, преди да включите отново уреда, тъй като честото стартиране може да повреди компресора.
- ▶ При изключване на уреда хващайте щепсела, а не кабела.
- ▶ Не почиствайте уреда с твърди четки, телени четки, прахообразни препарати, бензин, амилацетат, ацетон и подобни органични разтвори, киселинни или алкални разтвори. Моля, почиствайте със специален препарат за хладилник/фризер, за да избегнете повреди. В краен случай използвайте топла вода и разтвор на сода за хляб – около супена лъжица сода за хляб на литър вода. Изплакнете обилно с вода и подсушете. Не използвайте почистващи прахове или други абразивни почистващи препарати. Не мийте разглобяващите се части в съдомиялна машина.
- ▶ **ПРЕДУПРЕЖДЕНИЕ:** Не използвайте механични устройства или други средства за ускоряване процеса на размразяване, различни от препоръчаните от производителя.

- ▶ Ако захранващият кабел е повреден, трябва да бъде заменен от производителя, неговия обслужващ агент или лице с подобна квалификация, за да се избегне евентуална опасност.
- ▶ Не се опитвайте сами да ремонтирате, разглобявате или модифицирате уреда. При необходимост от ремонт се свържете с нашия отдел за обслужване на клиенти.
- ▶ Ако осветителните лампи са повредени, трябва да бъдат заменени от производителя, неговия обслужващ агент или лице с подобна квалификация, за да се избегне евентуална опасност.
- ▶ Отстранявайте прахта по гърба на уреда поне веднъж годишно, за да се избегне пожар, както и повишен разход на енергия.
- ▶ Не пръскайте уреда по време на почистване.
- ▶ Не използвайте водна струя или пара за почистване на уреда.
- ▶ Не почиствайте студената стъклена врата с гореща вода. Рязката температурна разлика може да доведе до спукване на стъклото.
- ▶ Ако уредът няма да се използва за продължителен период от време, оставете го отворен, за да предотвратите натрупването на неприятни миризми отвътре.

Информация за хладилен газ



ПРЕДУПРЕЖДЕНИЕ!

Уредът съдържа запалим хладилен агент ISOBUTANE (R600a). Уверете се, че охладителната верига не е била повредена по време на транспортиране или монтаж. Течът на хладилен агент може да причини нараняване на очите или възпламеняване. При възникване на повреда се пазете от открити източниците на огън, проветрете добре помещението, не включвайте и не изключвайте захранващите кабели на уреда или на друг уред. Информирайте центъра за обслужване на клиенти.

В случай че хладилен агент попадне в очите, изплакнете веднага с течаща вода и незабавно се свържете с офталмолог.

ПРЕДУПРЕЖДЕНИЕ: Охладителната система е под високо налягане. Не се опитвайте да я манипулирате. Поради използването на запалими хладилни агенти, моля, монтирайте, манипулирайте и обслужвайте уреда стриктно в съответствие с инструкциите и се свържете с професионален представител или с нашия отдел за следпродажбено обслужване, за да изхвърлите уреда.

Предвидена употреба


Този уред е предназначен да бъде използван за битови нужди и подобни приложения като

- кухненски боксове за персонала в магазини, офиси и други работни среди;
 - къщи за гости, хотели, мотели и други подобни обекти;
 - други заведения за настаняване и изхранване;
 - кетъринг и подобни приложения за нетърговски цели.
- За да осигурите безопасното запазване на виното, моля, спазвайте тези инструкции за употреба.
- Подробностите за най-подходящата част в уреда, където се съхраняват определени видове храни спрямо разпределението на температурата в различните отделения на уреда, са в другата част на ръководството.

Не се разрешават промени или модификации на устройството. Използването не по предназначение може да доведе до опасности и загуба на гаранционно покритие.

Изхвърляне



Символът  върху продукта или върху опаковката му показва, че този продукт не може да се третира като битов отпадък. Затова той трябва да бъде предаден в съответния пункт за събиране на електрическо и електронно оборудване за рециклиране. Като гарантирате правилното изхвърляне на продукта, ще помогнете за предотвратяване на потенциални отрицателни последици за околната среда и човешкото здраве, които в противен случай биха могли да бъдат причинени от неправилното изхвърляне на продукта. За по-подробна информация относно рециклирането на този продукт, моля, свържете се с вашата община, с местната служба по изхвърляне на битови отпадъци или с магазина, от който сте закупили продукта.

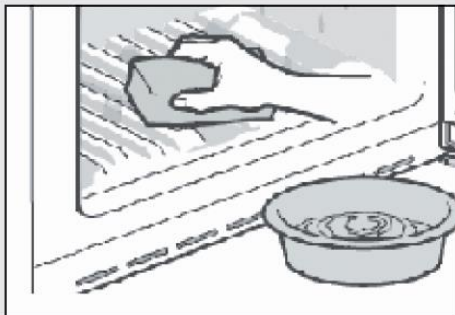
Тъй като се използват запалими изолационни газове, моля, свържете се с професионален представител или с нашия отдел за следпродажбено обслужване, за да изхвърлите уреда.

ПРЕДУПРЕЖДЕНИЕ!

Опасност от нараняване или задушаване!

Хладилните агенти и газовете трябва да се изхвърлят компетентно. Преди да изхвърлите по подходящия начин, се уверете, че тръбите на охладителната верига не са повредени. Изключете уреда от захранването. Отрежете захранващия кабел и го изхвърлете. Извадете тавите и чекмеджетата, както и фиксатора и уплътненията на вратата, за да предотвратите затварянето на деца и домашни любимци в уреда.

- ▶ **ПРЕДУПРЕЖДЕНИЕ:** Изключвайте уреда от захранването преди почистване.
- ▶ Не почиствайте уреда с твърди четки, телени четки, прахообразни препарати, бензин, амилацетат, ацетон и подобни органични разтвори, киселинни или алкални разтвори. Моля, почиствайте със специален препарат за хладилник, за да избегнете повреди.
- ▶ Почистете уреда, когато в него се съхранява малко или никаква храна. Почистването е необходимо само при замърсяване.
- ▶ Почиствайте вътрешността и корпуса на уреда с влажна гъба с топла вода и неутрален препарат
- ▶ Изплакнете с чиста топла вода и подсушете със суха кърпа.
- ▶ Не почиствайте никоя от частите на уреда в миялна машина.
- ▶ Изчакайте поне 7 минути, преди да включите отново уреда, тъй като честото стартиране може да повреди компресора.



Почистете уплътнението на вратата:

- ▶ Уплътненията на вратите трябва да се почистват, за да се осигури правилно уплътнение.

Както по-долу: Премахване: Хванете уплътнението на вратата и го издърпайте според посоката на стрелката, за да отстраните цялото уплътнение на вратата.

Потопете четката във вода или спирт за хранителни продукти, първо почистете канала на уплътнението на вратата, като плъзгате четката нагоре-надолу. След това избършете повърхността на

уплътнението на вратата с кърпа, навлажнена с вода или спирт за хранителни продукти. Накрая измийте уплътнението на вратата и го подсушете с чиста кърпа.



Монтаж на уплътнение на вратата след почистване:

Преди монтажа се уверете, че върху уплътнението на вратата няма вода. Поставете уплътнението на вратата в канала и го натиснете плътно отгоре надолу с ръка, докато цялото уплътнение на вратата влезе в канала.

Почистване на рафтовете:

Всички рафтове могат да бъдат извадени за почистване.

Извадете всички бутилки.

Леко повдигнете всеки рафт и го извадете.

Почистете рафта с мека кърпа.

Изчакайте, докато рафтовете изсъхнат, преди да ги поставите отново.

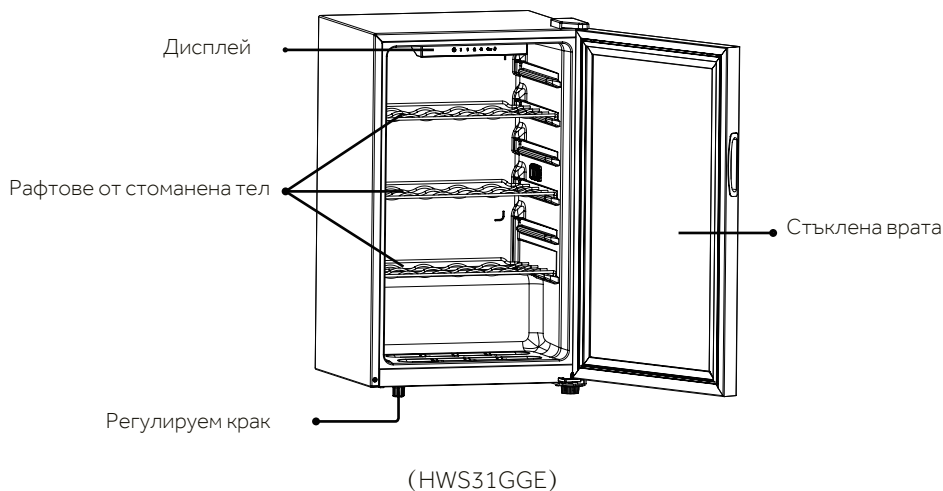
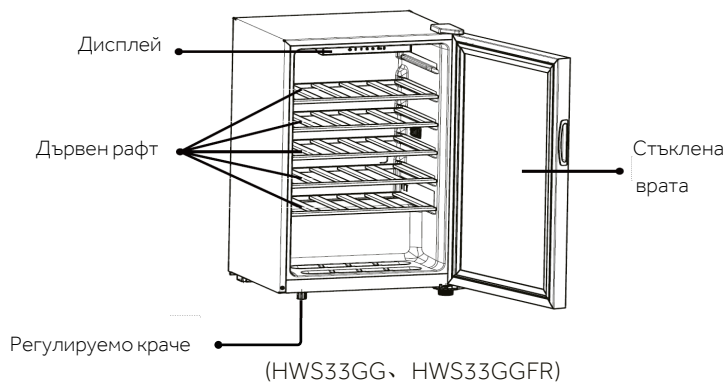
Проверете аксесоарите и книжните материали в съответствие с този списък: без изолация.

количество / име / Модел на продукта	Упътване за употреба	Информационен комплект	Рафтове за вино	Рафтове от стоманена тел
HWS33GG	1	1	5	0
HWS31GGE	1	1	0	3
HWS33GGFR	1	1	5	0

Предупреждение

Поради технически промени и наличие на различни модели, някои от илюстрациите в това ръководство може да се различават от вашия модел.

Снимка на уреда



Този продукт съдържа източник на светлина с клас на енергийна ефективност G.

1. Разопаковане

- ▶ Разопакувайте уреда.
- ▶ Отстранете всички опаковъчни материали, включително основата от пяна и цялата лепяща лента, която държи аксесоарите.

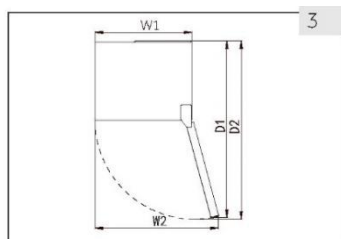
2. Условия на обкръжаващата среда

Температурата в помещението винаги трябва да бъде между 16°C и 38°C, тъй като това може да повлияе на температурата вътре в уреда и консумацията на енергия. Не поставяйте уреда близо до други излъчващи топлина уреди (фурни, хладилници) без изолация.

3. Изисквания за пространство

Необходимо място за отваряне на вратата (фиг. 3):

Ширина в мм		Дълбочина в мм	
W1	W2	D1	D2
499	633	905	919



4. Пространство за вентилация

От съображения за безопасност и енергоефективност трябва да се спазва необходимото разстояние за вентилация от 10 см във всички посоки (фиг. 4).



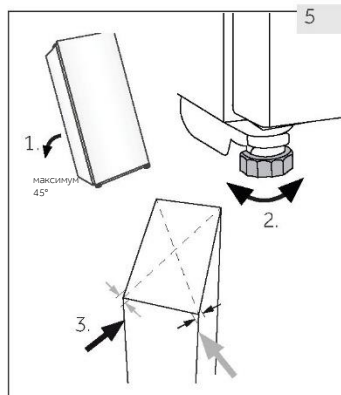
ПРЕДУПРЕЖДЕНИЕ!

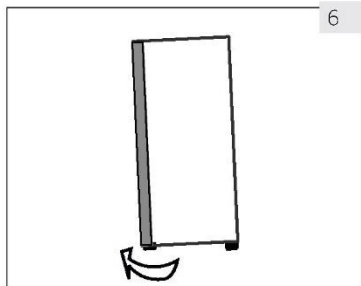
- ▶ Поддържайте вентилационните отвори на уреда или на вградената конструкция свободни от препятствия. Този хладилник не е предназначен за използване като вграден уред

5. Подравняване на уреда

Уредът трябва да бъде поставен на равна и твърда повърхност.

1. Наклонете уреда леко назад. (фиг. 5).
2. Нагласете регулируемите предни крачета на желаното ниво, като ги завъртите.
3. Стабилността може да се провери чрез последователно удряне по диагоналите. И в двете посоки трябва да се получава еднакво леко люлеене. В противен случай рамката може да се изкриви, в резултат на което углътненията на вратата няма да прилепват плътно. Лекият наклон назад улеснява затварянето на вратите.





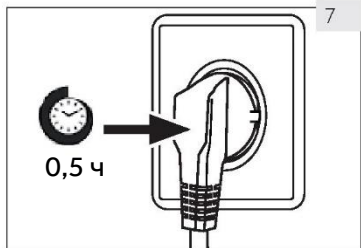
6

6. Фина настройка на вратата

Уредът се затваря по-лесно, ако се използват нивелиращите крачета отпред:

Завъртете регулируемите крачета (фиг. 6), за да ги повдигнете нагоре или да ги свалите надолу:

- ▶ Завъртането на крачетата по посока на часовниковата стрелка повдига уреда.
- ▶ Завъртането на крачетата по посока обратно на часовниковата стрелка намаля височината на уреда.



7

7. Време на изчакване

Смазочното масло, което не се нуждае от поддръжка, се намира в капсулата на компресора. Това масло може да се разтече из затворената система на тръбата по време на пренасяне, ако уредът е в наклонено положение. Преди да свържете уреда към захранването, изчакайте поне 0,5 часа (фиг. 7), за да може маслото да се върне обратно в капсулата.

8. Електрическа връзка

Преди всяко свързване проверявайте дали:

- ▶ захранването, контактът и предпазителите са подходящи според табелката с данни.
- ▶ електрическият контакт е заземен и няма включен разклонител или удължител.
- ▶ щепселът и контактът са поставени правилно.

Свържете щепсела към правилно инсталиран контакт с битово предназначение.



ПРЕДУПРЕЖДЕНИЕ!

За да се избегнат рискове, повреден захранващ кабел трябва да се заменя от сервизния отдел (вижте гаранционната карта).

Панел за управление



Температурният диапазон на дисплея е 6 ~ 18°C

Температурата по подразбиране е настроена на 12°C

Можете да настроите температурата според вашите предпочитания за съхранение на вино.

1. Настройка на температурата

Натиснете бутона „Температура“, за да светне горната икона на текущото ниво на настройка на температурата; Натиснете отново бутона „Температура“ и настройте температурата с една стъпка от общо 5 стъпки. Когато температурата достигне 18°C, ако продължите да регулирате, тя ще премине на 6°C – превключване на цикъла. Когато е избрана желаната настройка и операцията се спре за 5 секунди, системата автоматично се настройва по подразбиране на текущите параметри.

2. Вътрешна светлина

Натиснете бутон „Осветление“ веднъж, светлината във витрината ще светне; Натиснете отново бутон „Осветление“ и светлините във витрината угасват. Цикълът се повтаря.

3. Функция за запаметяване при прекъсване на захранването

Настройката на температурата във витрината ще бъде запаметена. След изваждане от контакта ще се върне предишната настройка.



Съвети за пестене на енергия

- ▶ Уверете се, че уредът е вентилиран правилно (вижте МОНТАЖ).
- ▶ Не поставяйте уреда на пряка слънчева светлина или в близост до източници на топлина (напр. печки, нагреватели).
- ▶ Избягвайте ненужно ниска температура в уреда. Консумацията на енергия се увеличава, колкото по-ниска е температурата в уреда.
- ▶ Отваряйте вратата на уреда възможно най-малко и за кратко
- ▶ Не превишавайте предвиденото количество бутилки, за да не се нарушава циркулирането на въздушния поток.
- ▶ Поддържайте уплътненията на вратите чисти, така че вратата винаги да се затваря правилно.
- ▶ Най-енергоспестяващата конфигурация изисква чекмеджетата да се поставят в уреда във възможно най-близко до фабричното състояние, а виното да се поставя по начин, който не блокира изхода на въздуховода.

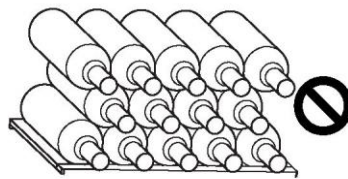
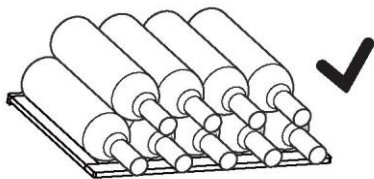
1. Рафт

1. Рафтовете са предназначени за лесно съхранение и лесно вадене на виното. Те могат да се почистват с мека кърпа.
2. Обикновени бутилки с диаметър 76 мм могат да се подреждат една върху друга.
3. По-големите бутилки могат да се подреждат на дъното.
4. Количеството може да варира от изобразения брой или бутилки, ако са подредени по различен начин.



Предпазни мерки при използване на витрина за вино

Не поставяйте прекалено много вино във витрината, за да не надвишите капацитета за носене на рафтовете. Не поставяйте повече от три реда бутилки с вино на всеки рафт. Броят на бутилките не трябва да надвишава три реда на всеки рафт или носещият капацитет на рафтовете не трябва да надвишава 15 кг.

Преди да поставите бутилките във витрината за вино, проверете дали рафтовете са напълно стабилни. Освен това проверете дали някоя бутилка не стърчи от рафтовете, за да предотвратите удар на бутилките при затваряне на стъклената врата.



2. Светлина

Докато вратата е отворена, натиснете бутона за осветление  LIGHT, включете светлината; натиснете отново бутона за осветление  LIGHT, изключете светлината.

3. Автоматично размразяване

Този уред има функция за автоматично размразяване. По време на употреба се уверете, че отточният отвор е отпушен, за да може водата от размразяването да се оттича плавно през него към водоприемника в долната част на отделението.

Редовно почиствайте водоприемниците в дъното на отделенията; попивайте и избърсвайте водата със суха кърпа (почиствайте ги на всеки три месеца съгласно препоръките).

1. Размразяване

Размразяването на витрината за вино се извършва автоматично: не е необходимо ръчно управление.

2. Смяна на LED лампата

Лампата използва светодиоди, отличаващ се с ниска консумация на енергия и дълъг експлоатационен живот. В случай на аномалии, моля, свържете се с отдела за обслужване на клиенти. Вижте ОБСЛУЖВАНЕ НА КЛИЕНТИ.



ПРЕДУПРЕЖДЕНИЕ!



Не подменяйте сами LED лампата. Тя трябва да бъде заменена само от производителя или от упълномощен сервизен представител.

Параметри на LED лампата:

Напрежение 12V; Максимална мощност: 2W

3. Неизползване за дълъг период от време

Изключете захранващия кабел.

Почистете уреда и уплътненията на вратата, както е описано по-горе.

Оставете вратата отворена, за да се предотврати развитието на неприятни миризми вътре.

4. Преместване на уреда

1. Извадете всички бутилки и изключете уреда от контакта.
2. Подсигурете с тиксо рафтовете и другите подвижни части срещу нежелано движение във витрината за вино.
3. Не наклоняйте витрината за вино на повече от 45°, за да избегнете повреда на охладителната система.

Много от възникналите проблеми могат да бъдат решени от вас самите без никакви специфични умения. В случай на проблем, моля, проверете всички показани възможности и следвайте инструкциите по-долу, преди да се свържете с отдела за следпродажбено обслужване. Вижте ОБСЛУЖВАНЕ НА КЛИЕНТИ.



ПРЕДУПРЕЖДЕНИЕ!

- ▶ Преди извършване на поддръжка изключете уреда и извадете щепсела от контакта.
- ▶ Електрическото оборудване трябва да се обслужва само от квалифицирани експерти, тъй като неправилният ремонт може да причини значителни последващи щети.
- ▶ Повреда в захранващия кабел може да бъде отстранена от производителя, неговия обслужващ агент или лице с подобна квалификация, за да се избегне евентуална опасност.

Кодове за грешки	Причина	Решение
Иконата „9“ мига	Неизправност на сензора за охлаждане.	Обадете се на телефон за следпродажбено обслужване.
Иконата „12“ мига	Криогенна аларма на сензор за хладилник.	Обадете се на телефон за следпродажбено обслужване.

Проблем	Вероятна причина	Възможно решение
Замръзване в задната част на вътрешната тръбна система?	<ul style="list-style-type: none"> Хладилните тръби са поставени на гърба на вътрешната облицовка на витрината за вино. 	<ul style="list-style-type: none"> Това е нормално явление. Шкафът автоматично ще замръзне, без това да повлияе на нормалната употреба.
Прекалено много шум?	<ul style="list-style-type: none"> Нестабилно разположение. 	<ul style="list-style-type: none"> Регулирайте долното краче, за да стабилизирате шкафа. Уверете се, че шкафът не докосва други предмети или стени.
Звук от течаша течност във витрината?	<ul style="list-style-type: none"> Звук на потока на охладителите в циркуляционната верига на хладилната система. 	<ul style="list-style-type: none"> Това е нормално явление.
Витрината за вино не работи?	<ul style="list-style-type: none"> Връзка между щепсела на витрината за вино и контакта. Защитен режим на компресора. 	<ul style="list-style-type: none"> Уверете се, че щепселът на витрината за вино е правилно свързан към контакта; Захранващият контакт е под напрежение; Поставен е добър предпазител. Компресорът има защитен режим с интервал от 7 минути.
Защо има леки ръбове от двете страни на касата?	<ul style="list-style-type: none"> Топлината причинява явлението разширяване и свиване. 	<ul style="list-style-type: none"> Това е нормално явление. Целта е да се осигури добро разсейване на топлината и висока работна ефективност на витрината за вино.
Корпусът на вратата не е затворен плътно, излизане на въздух?	<ul style="list-style-type: none"> След като продуктът се използвате за известно време, уплътнението на вратата става твърдо и изкривено поради по-ниската температура във витрината. 	<ul style="list-style-type: none"> Третирайте деформираната зона с горещ въздух от сешоар или я покрийте с гореща кърпа. Затворете плътно вратата, когато уплътнението е меко.
Компресорът продължава да работи дълго време?	<ul style="list-style-type: none"> Възможно е вратата на витрината да не е затворена или да се отваря прекалено много пъти? Слагате твърде много напитки наведнъж. Дали шкафът е подравнен прекалено ниско? 	<ul style="list-style-type: none"> Затворете плътно вратата или намалете броя на отварянията. Не слагайте твърде много напитки наведнъж и оставайте празно пространство между тях. Настройката на витрината може да се регулира по подходящ начин.

Проблем	Вероятна причина	Възможно решение
Когато витрината за вино работи, издава ли щракащ звук?	<ul style="list-style-type: none"> Различните материали се разширяват или свиват под влиянието на температурни промени. По време на употреба се причинява действие на релето и други електрически компоненти. 	<ul style="list-style-type: none"> Това е нормално явление.
Не може ли витрината за вино да се охлади добре?	<ul style="list-style-type: none"> Дали на температурата не е настроена твърде високо. Излагане на пряка слънчева светлина или близки източници на топлина. Във витрината за вино има топли напитки. Напитките във витрината за вино са претъпкани. Дали вратата на витрината за вино се отваря или затваря често. 	<ul style="list-style-type: none"> По-ниска настройка на температурата. Избягвайте пряка слънчева светлина и се пазете от източници на топлина. Напитките не трябва да се прегряват. Не трябва едновременно да се поставят прекалено много напитки. Моля, затворете плътно вратата или намалете броя отваряния на вратата.
Има ли особена миризма във витрината за вино?	<ul style="list-style-type: none"> Новата витрина за вино мирише на разпенващ агент или пластмаса. 	<ul style="list-style-type: none"> Това е нормално явление и бавно ще се изпари в процеса на употреба. Моля, проверявайте витрината за развалени напитки престояли дълго време. Миризливите напитки трябва да бъдат плътно увити в найлонови торбички. Витрината за вино трябва да се почиства редовно.
Има ли конденз на вратата на витрината за вино?	<ul style="list-style-type: none"> Независимо дали вратата се отваря твърде често или за дълго време. Дали температурата във витрината не е настроена твърде ниско. Висока температура и влажност на околната среда. 	<ul style="list-style-type: none"> Моля, затворете плътно вратата или намалете броя отваряния на вратата. Температурата във витрината не трябва да се настройва твърде ниско. Подсушете със суха кърпа.
Светлината не е ярка?	<ul style="list-style-type: none"> Захранването свързано ли е? Лампата повредена ли е? 	<ul style="list-style-type: none"> Проверете захранването. Проверка на лампа.

За да се свържете с отдела за техническа помощ, посетете уебсайта ни:

<https://corporate.haier-europe.com/en/>

В раздела „Уебсайт“ изберете марката на своя продукт и Вашата държава.

Ще бъдете пренасочени към конкретния уебсайт, където може да намерите телефонния номер и формуляра за връзка с отдела за техническа помощ.

Функции на продукта съгласно регламент (ЕС) № 2019/2016

Марка	Haier	Haier	Haier
Име на модела/идентификатор	HWS33GG	HWS31GGE	HWS33GGFR
Номинален капацитет на бутилката	33	31	33
Категория домакински хладилни	I	I	I
Клас на енергийна ефективност	G	G	G
Годишна консумация на енергия (kWh/година) 1)	154	154	154
Обем за съхранение (L)	93	93	93
Климатичен клас: Този уред е предназначен за използване при температура на околната среда между 16 °C и 38 °C.	ST	ST	ST
Въздушни акустични шумови емисии (db(A) re 1pW)	C(37)	C(37)	C(37)
Тип на уреда	Freestanding	Freestanding	Freestanding
Този уред е предназначен да се използва изключително за съхранение на вино.	да	да	да
Размери (Д/Ш/В в мм)	455/499/830	455/499/830	455/499/830

1) въз основа на стандартните резултати от теста за 24 часа. Реалната консумация на енергия зависи от действителната среда, количеството бутилки, зададената температура, отварянето и затварянето на вратата и т.н.
2) Номиналната консумация на енергия е стойността, получена съгласно стандартния тест, когато виненият шкаф не включва вътрешната светлина и въздушния цикъл.

- разширен умерен климат: „този хладилен уред е предназначен за използване при температура на околната среда в диапазона от 10° C до 32° C“;
- умерен климат: „този хладилен уред е предназначен за използване при температура на околната среда в диапазона от 16° C до 32° C“;
- субтропичен климат: „този хладилен уред е предназначен за използване при температура на околната среда в диапазона от 16° C до 38° C“;
- тропичен климат: „този хладилен уред е предназначен за използване при температура на околната среда в диапазона от 16° C до 43° C“;

Стандарти и директиви **CE**

Този продукт отговаря на изискванията на всички приложими директиви на ЕО със съответстващите хармонизирани стандарти, които предвиждат маркировка „CE“.

Препоръчваме използването на клиентско обслужване от Haier и оригинални резервни части.

Ако имате проблем с вашия уред, първо проверете раздела **ОТСТРАНЯВАНЕ НА НЕИЗПРАВНОСТИ**. Ако не можете да намерите решение там, моля, свържете се с

- ▶ вашия местен търговец или
- ▶ в частта „Помощно обслужване“ на www.haier.com, където можете да намерите телефонни номера и често задавани въпроси и където можете да активирате заявката за услуга.

За да се свържете с нашия отдел „Обслужване“, уверете се, че разполагате със следните данни.

Информацията може да бъде намерена на табелката с данни.

Модел _____ Сериен № _____

Също така проверете предоставената с продукта гаранционна карта, в случай на гаранция.

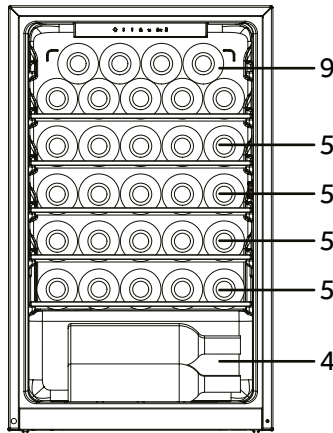
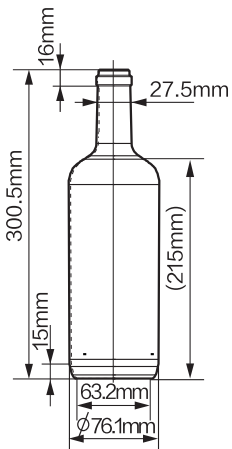
За общи професионални запитвания, моля, намерете нашите адреси в Европа:

Европейски адрес на Haier			
Държава*	Пощенски адрес	Държава	Пощенски адрес
Италия	Haier Europe Trading SRL Via De Cristoforis, 12 21100 Varese ITALY	Франция	Haier Europe Trading SRL Via De Cristoforis, 12 21100 Varese ITALY
Испания Португалия	Haier Iberia SL Pg. Garcia Faria, 49-51 08019 Барселона SPAIN	Белгия-FR Белгия-NL Нидерландия Люксембург	Haier Benelux SA Anderlecht Route de Lennik 451 BELGIUM
Германия Австрия	Haier Deutschland GmbH Hewlett-Packard-Str. 4 D-61352 Bad Homburg GERMANY	Полша Чехия Унгария Гърция	Haier Poland Sp. z o.o. Al. Jerozolimskie 181B 02-222 Warszawa POLAND
Великобритания	Haier Appliances UK Co. Ltd. One Crown Square Church Street East Woking, Surrey, GU21 6HR UK	Румъния Русия	

НАЛИЧНОСТ НА РЕЗЕРВНИ ЧАСТИ: Термостати, температурни сензори, платки и светлинни източници се предлагат за минимален период от седем години след излизане на последния уред от модела на пазара. Дръжки за врата, панти за врата, тави и кошници се предлагат за минимален период от седем години, а уплътнения за вратата за минимален период от 10 години след излизане на последния уред от модела на пазара

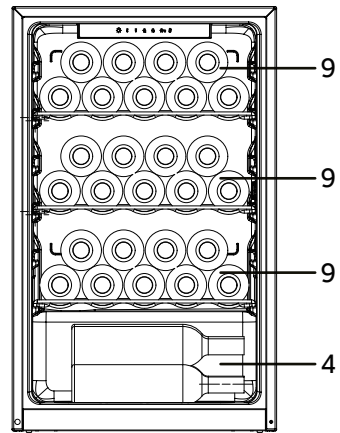
Минималната гаранция е: 2 години за страните от ЕС, 3 години за Турция, 1 година за Великобритания, 1 година за Русия, 3 години за Швеция, 2 години за Сърбия, 5 години за Норвегия, 1 година за Мароко, 6 месеца за Алжир, не е необходима правна гаранция за Тунис.

За допълнителна информация относно продукта, моля, вижте <https://eprel.ec.europa.eu/> или сканирайте QR кода на енергийния етикет, предоставен с уреда.




HWS33GG
HWS33GGFR

(Капацитет 33 бутилки)



HWS31GGE

(Капацитет 31 бутилки)



Руководство
пользователя

Винный шкаф

HWS33GG
HWS31GGE
HWS33GGFR

RU

Haier

Благодарим за приобретение изделия Haier.

Внимательно прочитайте эти инструкции, прежде чем пользоваться этим устройством. Инструкции содержат важную информацию, которая поможет вам пользоваться устройством максимально эффективно и обеспечить безопасные и правильные установку, эксплуатацию и техническое обслуживание.

Храните это руководство в удобном месте, чтобы можно было сверяться с ним для безопасного и правильного пользования прибором.

Если вы продаете прибор, отдаете его или оставляете при переезде, обязательно передайте это руководство новому владельцу, чтобы он/она смог ознакомиться с прибором и предостережениями касательно техники безопасности.



Условные обозначения

Предупреждение – важная информация по технике безопасности



Общие сведения и советы



Экологическая информация

Утилизация



Помогите защитить окружающую среду и здоровье людей. Выбрасывайте упаковку в соответствующие контейнеры для дальнейшей переработки. Помогите утилизировать отходы электрического и электронного оборудования. Не утилизируйте приборы, обозначенные этим символом, вместе с бытовыми отходами. Отвезите изделие на местное предприятие по переработке или обратитесь в муниципальное учреждение.



ПРЕДУПРЕЖДЕНИЕ.

Опасность травмы или удушья!

Хладагенты и газы следует утилизировать профессиональным образом. Перед надлежащей утилизацией убедитесь, что трубки контура охлаждения не повреждены. Отключите прибор от электросети. Отрежьте сетевой шнур и утилизируйте его. Выньте лотки и выдвижные ящики, а также удалите дверную защелку и уплотнители, чтобы дети и домашние животные не закрывались в приборе.

Старая техника имеет некоторую остаточную ценность. Экологичный метод утилизации обеспечит возможность извлечения и повторного использования ценных материалов.

В качестве расширяющего средства для изоляционной пены используется циклопентан – легковоспламеняющееся вещество, не оказывающее вредного воздействия на озоновый слой.

Обеспечивая надлежащую утилизацию данного изделия, вы способствуете предотвращению потенциальных негативных последствий для окружающей среды и здоровья людей, которые могут наступить в противном случае.

Для получения более подробных сведений о переработке данного изделия обратитесь в местную администрацию, службу утилизации бытовых отходов или в магазин, в котором приобретено изделие.

1 - Информация о технике безопасности	4
2 - Советы по технике безопасности.....	6
3 - Обслуживание	11
4 - Принадлежности.....	13
5 - Описание изделия.....	14
6 - Монтаж.....	15
7 - Использование	17
8 - Советы по энергосбережению	18
9 - Оборудование	19
10 - Чистка и обслуживание	20
11 - Поиск и устранение неисправностей	21
12 - Технические характеристики.....	25
13 - Служба по работе с заказчиками.....	26
14 - Укладка бутылок вина	27

Этот прибор предназначен исключительно для хранения вина. Перед первым включением прибора прочитайте следующие рекомендации по технике безопасности:



ПРЕДУПРЕЖДЕНИЕ.

Перед первым использованием

- ▶ Убедитесь в отсутствии повреждений при транспортировке.
- ▶ Снимите всю упаковку и поместите в недоступное для детей место для утилизации экологически безопасным способом.
- ▶ Подождите не менее двух часов, прежде чем устанавливать прибор, чтобы убедиться в полной эффективности контура охлаждения.
- ▶ Из-за тяжести прибора его должны перемещать минимум два человека.

Монтаж

- ▶ Прибор следует устанавливать в хорошо проветриваемом помещении. Обеспечьте не менее 10 см свободного пространства над прибором и вокруг него.
- ▶ **ПРЕДУПРЕЖДЕНИЕ.** Не допускайте перекрытия вентиляционных отверстий на корпусе электроприбора и на встроенных конструкциях.
- ▶ Запрещается ставить прибор во влажных зонах или в месте, где он может быть забрызган водой. Сотрите и подсушите брызги воды и пятна мягкой чистой тканью.
- ▶ Не устанавливайте винный шкаф в местах с ненадлежащими теплоизоляцией или обогревом (например, в гараже и т.д.). Ваш винный шкаф не предназначен для эксплуатации при температуре окружающей среды ниже 16 °С.
- ▶ Не устанавливайте прибор под прямыми солнечными лучами или вблизи источников тепла (например, печей и обогревателей).
- ▶ Устанавливайте прибор и регулируйте его уровень в месте, соответствующем его размерам и использованию.
- ▶ Удостоверьтесь, что электрические характеристики на паспортной табличке совпадают с характеристиками источника электропитания. Если это не так, обратитесь к электрику.

**ПРЕДУПРЕЖДЕНИЕ.**

- ▶ Прибор работает от источника электропитания с характеристиками 220-240 В/50 Гц. Аномальные колебания напряжения могут привести к сбою при запуске прибора, либо повреждению регулятора температуры или компрессора, либо странному шуму во время работы. В этом случае следует установить автоматический регулятор.
- ▶ Не используйте многоштепсельные адаптеры и удлинительные кабели.
- ▶ ПРЕДУПРЕЖДЕНИЕ. Запрещается размещать многоштепсельные переносные удлинители или портативные источники питания позади прибора.
- ▶ ПРЕДУПРЕЖДЕНИЕ. При размещении электроприбора убедитесь, что кабель питания не зажат и не поврежден.
- ▶ Не наступайте на шнур питания.
- ▶ Используйте отдельную легкодоступную заземленную розетку электропитания. Этот прибор следует заземлить.
- ▶ Только для Великобритании: штепсельная вилка (с заземлением), которая подходит для стандартной 3-жильной (заземленной) розетки. Запрещается обрезать или демонтировать третий штырь (заземляющий). После установки прибора вилка должна быть легко доступна.
- ▶ ПРЕДУПРЕЖДЕНИЕ. Не повредите контур охлаждения.

Повседневная эксплуатация

- ▶ Данным устройством могут пользоваться дети в возрасте 8 лет и старше, а также лица с ограниченными физическими, сенсорными и умственными способностями, недостаточным опытом и знаниями, только при условии, что они находятся под надлежащим надзором или проинструктированы о порядке безопасного пользования устройством и осознают связанные с этим опасности.
- ▶ Не разрешайте детям играть с устройством.
- ▶ Детям в возрасте от 3 до 8 лет разрешается загружать продукты в холодильную технику и выгружать их, но не разрешается чистить и устанавливать холодильные приборы.

**ПРЕДУПРЕЖДЕНИЕ.**

- ▶ Не допускайте детей в возрасте до 3 лет к прибору, если они не находятся под постоянным наблюдением.
- ▶ Детям запрещается выполнять чистку и пользовательское обслуживание электроприбора без присмотра.
- ▶ Прибор должен быть расположен таким образом, чтобы вилка была легко доступна.
- ▶ Если вблизи прибора случилась утечка угольного газа или другого горючего газа, закройте клапан протекающего газа, откройте двери и окна и не отсоединяйте шнур питания прибора.
- ▶ Подождите не менее 7 минут, прежде чем снова подключать электропитание после его отключения.
- ▶ Не поднимайте прибор за ручки дверец.
- ▶ Обратите внимание на то, что прибор настроен для работы в определенном диапазоне температуры окружающей среды от 16 до 38 °С. Прибор может не работать должным образом, если в течение длительного периода времени находится при температуре выше или ниже указанного диапазона.
- ▶ Не ставьте неустойчивые предметы (тяжелые вещи, емкости с водой) на прибор, чтобы избежать травмирования из-за падения таких предметов или поражения электрическим током в результате контакта с водой.
- ▶ Открывайте и закрывайте дверцу только с помощью ручек. Зазор между дверцей и корпусом очень узкий. Не вставляйте руки в эти области, чтобы не прищемить пальцы. Открывайте или закрывайте дверцы прибора только в том случае, если рядом нет детей, стоящих в пределах диапазона движения дверцы.
- ▶ Не храните и не используйте легковоспламеняющиеся, взрывоопасные или коррозионно активные материалы в приборе или в непосредственной близости от него.
- ▶ Запрещается хранить в этом приборе взрывчатые вещества, такие как баллончики с воспламеняющимися сжатыми газами.
- ▶ Не храните в приборе медикаменты, бактерии или химические вещества. Это устройство является бытовым прибором; не рекомендуется хранить в нем материалы, требующие строгого соблюдения диапазона температур.



ПРЕДУПРЕЖДЕНИЕ.

- ▶ Не устанавливайте чрезмерно низкую температуру в отсеке винного шкафа. Высокие настройки могут становиться причиной отрицательных температур. Внимание! Бутылки могут лопнуть.
- ▶ Не прикасайтесь к внутренней поверхности отсека прибора во время работы, особенно мокрыми руками, так как ваши руки могут примерзнуть к поверхности.
- ▶ Для правильного охлаждения вина не загружайте в прибор чрезмерное количество бутылок.
- ▶ Отключайте прибор от электросети в случае сбоя питания или перед очисткой. Подождите не менее 7 минут перед повторным запуском прибора, так как частый запуск может повредить компрессор.
- ▶ **ПРЕДУПРЕЖДЕНИЕ.** Не используйте электрические устройства внутри прибора, кроме устройств того типа, что рекомендован производителем. Во избежание рисков замену поврежденного шнура питания должна производить служба поддержки клиентов (см. гарантийный талон).
- ▶ Чтобы продлить срок службы прибора, старайтесь не выключать его.
- ▶ Ни в коем случае не кладите прибор горизонтально на пол. После наклона прибора более чем на 45° подождите полчаса, прежде чем подключать его к электросети.

Техническое обслуживание/очистка

- ▶ Если дети выполняют очистку и техническое обслуживание, удостоверьтесь, что они находятся под наблюдением.
- ▶ Перед проведением планового технического обслуживания отсоединяйте прибор от сети электропитания. Подождите не менее 7 минут перед повторным запуском прибора, так как частый запуск может повредить компрессор.
- ▶ При отключении прибора держитесь за вилку, а не за шнур.
- ▶ Не чистите прибор жесткими щетками, проволочными щетками, порошковым моющим средством, бензином, амилацетатом, ацетоном и аналогичными органическими растворами, кислотными или щелочными растворами. Во

избежание повреждений мойте прибор специальным моющим средством для холодильника/морозильной камеры. Наконец, используйте теплую воду и раствор пищевой соды – примерно столовую ложку пищевой соды на литр/литр воды. Тщательно ополосните водой и вытрите насухо. Не используйте чистящие порошки или другие абразивные чистящие средства. Не мойте съемные детали в посудомоечной машине.

- ▶ **ПРЕДУПРЕЖДЕНИЕ.** Для ускорения процесса размораживания не используйте механические или другие устройства кроме тех, которые рекомендованы производителем.
- ▶ При повреждении кабеля питания во избежание возможной опасности его замену должен осуществлять производитель, его сервисный представитель или лица с подобной квалификацией.
- ▶ Не пытайтесь самостоятельно ремонтировать, разбирать или модифицировать прибор. Для проведения ремонта обращайтесь в нашу службу по работе с заказчиками.
- ▶ При повреждении шнура питания во избежание опасности его замену должен осуществлять производитель, его сервисный представитель или лица с подобной квалификацией.
- ▶ Убирайте пыль на задней поверхности устройства не реже одного раза в год, чтобы избежать опасности возгорания, а также повышенного потребления энергии.
- ▶ Не разбрызгивайте какую-либо жидкость на прибор во время очистки.
- ▶ Не используйте распылитель для воды или пар для очистки прибора.
- ▶ Не мойте холодную стеклянную дверцу горячей водой. Резкий контраст температур может привести к растрескиванию стекла.
- ▶ Если вы не используете прибор в течение длительного времени, оставьте его открытым, чтобы предотвратить появление неприятных запахов внутри.

Информация о газообразном хладагенте



ПРЕДУПРЕЖДЕНИЕ.

Прибор содержит легковоспламеняющийся хладагент ИЗОБУТАН (R600a). Убедитесь, что охлаждающий контур не был поврежден во время транспортировки или установки. Утечка хладагента может привести к воспламенению или поражениям глаз. В случае такого повреждения держитесь подальше от открытых источников огня, тщательно проветрите помещение, не подключайте и не отсоединяйте шнуры питания этого или любого другого прибора. Уведомите службу по работе с заказчиками.

В случае попадания хладагента в глаза немедленно промойте их проточной водой и сразу же обратитесь к офтальмологу.

ПРЕДУПРЕЖДЕНИЕ. Система охлаждения находится под высоким давлением. Не вмешивайтесь в ее работу. Ввиду использования легковоспламеняющихся хладагентов устанавливайте прибор, обращайтесь и обслуживайте его строго в соответствии с инструкцией; для утилизации прибора обратитесь к профессиональному уполномоченному лицу или в наш послепродажный сервис.

Назначение


Этот электроприбор предназначен исключительно для домашнего использования, а также для следующего аналогичного применения:

- в кухонных зонах для персонала в магазинах, офисах и других рабочих помещениях;
 - в загородных домах, для клиентов гостиниц, мотелей и в других помещениях для проживания;
 - в гостиницах типа «постель и завтрак»;
 - для выездного ресторанного обслуживания и подобных услуг не в розничной торговле.
- Для обеспечения безопасного хранения вина соблюдайте эту инструкцию по применению.
- Подробная информация о наиболее подходящей области отсека прибора для хранения конкретных типов продуктов питания с учетом распределения температуры в различных отсеках прибора приведена в другой части руководства.

Изменения или модификации устройства не допускаются. Использование не по назначению может привести к возникновению опасной ситуации и потере права на претензии по гарантийным обязательствам.

Утилизация



Символ  на изделии или на его упаковке указывает на то, что с ним нельзя обращаться как с бытовыми отходами. Вместо этого изделие следует сдать в соответствующий пункт сбора для повторной переработки электрического и электронного оборудования. Обеспечивая надлежащую утилизацию данного изделия, вы способствуете предотвращению потенциальных негативных последствий для окружающей среды и здоровья людей, которые в противном случае могут наступить вследствие неправильного обращения с ним. Для получения более подробных сведений о переработке данного изделия обратитесь в местную городскую администрацию, службу утилизации бытовых отходов или в магазин, в котором приобретено изделие.

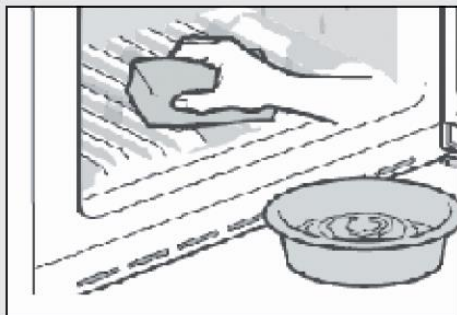
Ввиду использования легковоспламеняющихся изолирующих газов для утилизации прибора обратитесь к профессиональному уполномоченному лицу или в наш послепродажный сервис.

ПРЕДУПРЕЖДЕНИЕ.

Опасность травмы или удушья!

Хладагенты и газы следует утилизировать профессиональным образом. Перед надлежащей утилизацией убедитесь, что трубки контура охлаждения не повреждены. Отключите прибор от электросети. Отрежьте сетевой шнур и утилизируйте его. Выньте лотки и выдвижные ящики, а также удалите дверную защелку и уплотнители, чтобы дети и домашние животные не закрывались в приборе.

- ▶ **ПРЕДУПРЕЖДЕНИЕ.** Перед очисткой отсоединяйте прибор от источника электропитания
- ▶ Не чистите прибор жесткими щетками, проволочными щетками, порошковым моющим средством, бензином, амилацетатом, ацетоном и аналогичными органическими растворами, кислотными или щелочными растворами. Во избежание повреждений мойте прибор специальным моющим средством для холодильников.
- ▶ Проводите очистку прибора, когда в нем находится мало бутылок либо нет вина. Очистку прибора нужно проводить только тогда, когда он загрязнен.
- ▶ Очистите внутреннюю часть и корпус прибора с помощью губки, смоченной в теплой воде с нейтральным моющим средством.
- ▶ Промойте чистой теплой водой и вытрите досуха сухой тканью.
- ▶ Не мойте какие-либо части прибора в посудомоечной машине.
- ▶ Подождите не менее 7 минут перед повторным запуском прибора, так как частый запуск может повредить компрессор.



Очистите уплотнитель дверцы:

- ▶ Дверные уплотнители прокладки должны быть чистыми для обеспечения надлежащей герметизации.

Как указано ниже: Снятие: Возьмитесь за дверной уплотнитель и вытяните его

по направлению стрелки, чтобы вынуть весь

уплотнитель дверцы по порядку. Намочите щетку в

воде или пищевом спирте; сначала очистите паз

дверного уплотнителя, проводя щеткой вперед и

назад. Затем протрите поверхность дверного

уплотнителя полотенцем, смоченным водой или пищевым спиртом. Наконец, промойте дверной уплотнитель и

вытрите его насухо чистым полотенцем.



Установка дверного уплотнителя после очистки:

Перед установкой убедитесь, что на дверном уплотнителе нет воды. Вставьте дверной уплотнитель в паз и плотно прижимайте сверху вниз рукой, пока весь дверной уплотнитель не будет вставлен в паз.

Очистка полок:

Все полки можно вынимать для очистки.

Выньте все бутылки.

Немного приподняв, вытащите каждую полку.

Очистите полку мягким полотенцем.

Подождите, пока полки высохнут, прежде чем устанавливать их на место.

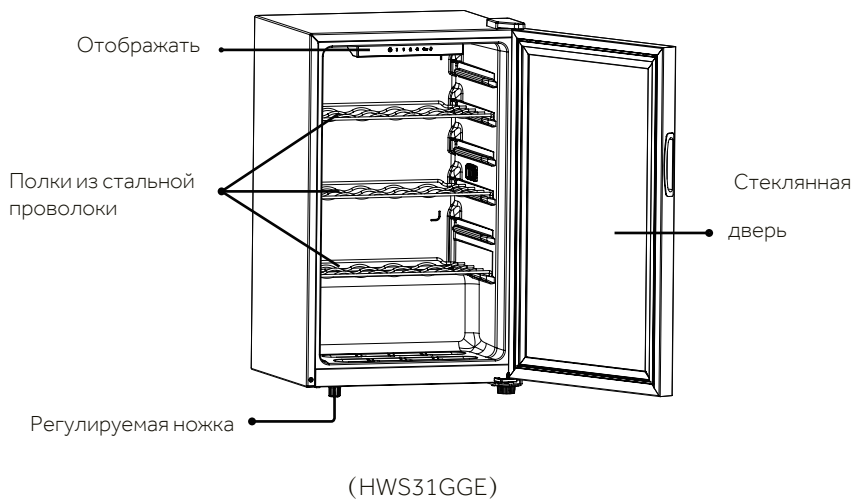
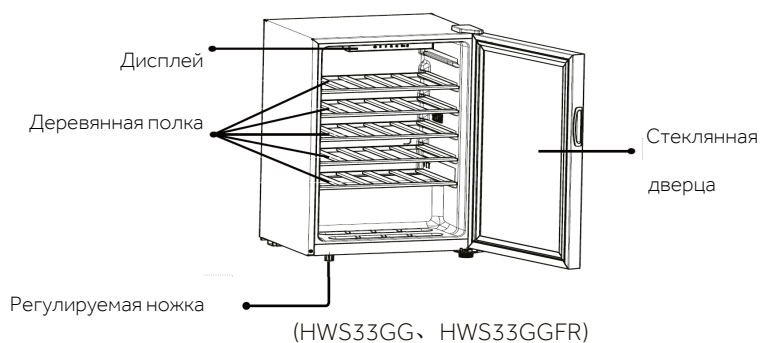
Проверьте принадлежности и печатные издания в соответствии с этим списком: без изоляции.

Имя Количество Модель продукта	Гид пользователя	Информационный комплект	Деревянные полки для вина	Полки из стальной проволоки
HWS33GG	1	1	5	0
HWS31GGE	1	1	0	3
HWS33GGFR	1	1	5	0

Предупреждение

Из-за технических изменений и различия моделей некоторые иллюстрации в этом руководстве могут не совпадать с вашим изделием.

Изображение прибора



Данный продукт содержит источник света, имеющий класс энергоэффективности G.

1. Распаковка

- ▶ Извлеките прибор из упаковки.
- ▶ Удалите все упаковочные материалы, включая основание из пенопласта, и всю клейкую ленту, удерживающую принадлежность.

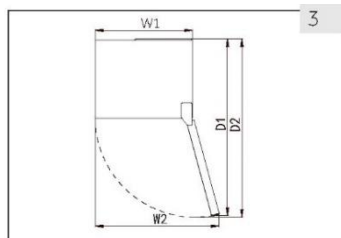
2. Условия окружающей среды

Температура в помещении всегда должна быть в пределах диапазона от 16°C до 38°C, поскольку она может влиять на температуру внутри прибора и его энергопотребление. Не устанавливайте прибор рядом с другими излучающими тепло приборами (духовыми шкафами, холодильниками) без изоляции.

3. Требования по размещению

Необходимое пространство для открытия дверцы (рис. 3):

Ширина в мм		Глубина в мм	
W1	W2	D1	D2
499	633	905	919



4. Свободное пространство для вентиляции

По соображениям безопасности и энергоэффективности необходимо соблюдать требуемое расстояние для вентиляции 10 см во всех направлениях (рис. 4).



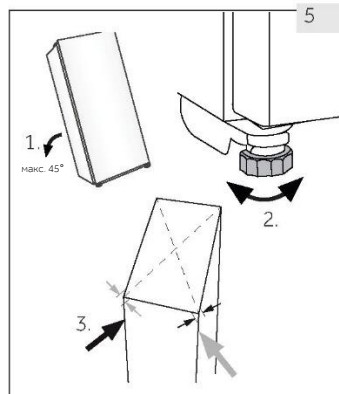
ПРЕДУПРЕЖДЕНИЕ.

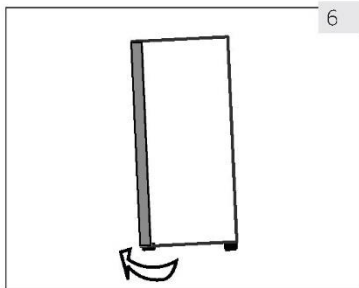
- ▶ Не допускайте перекрытия вентиляционных отверстий на корпусе электроприбора и на встроенных конструкциях. Этот холодильный прибор не предназначен для использования в качестве встроенного устройства.

5. Выравнивание прибора

Прибор следует размещать на ровной и твердой поверхности.

1. Немного наклоните прибор назад (рис. 5).
2. Установите нужный уровень регулируемых передних ножек, вращая их.
3. Устойчивость можно проверить, попеременно толкая прибор по диагонали. Небольшое покачивание должно быть одинаковым в обоих направлениях. В противном случае рама прибора может деформироваться, что может привести к нарушению герметичности уплотнений дверцы. Небольшой наклон назад облегчает закрытие дверцы.





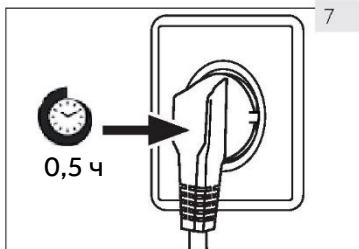
6

6. Тонкая настройка дверцы

Прибор легче закрывается, если используются регулируемые ножки спереди:

Поворачивайте регулируемые ножки (рис. 6), чтобы поднять их вверх или вниз:

- ▶ Вращайте ножки по часовой стрелке, чтобы поднять прибор.
- ▶ Вращайте ножки против часовой стрелки, чтобы опустить прибор.



7

7. Время ожидания

В оболочке компрессора находится не требующее технического обслуживания смазочное масло. Это масло может проходить через закрытую трубопроводную систему во время транспортировки, если прибор наклонен. Перед подключением прибора к источнику электропитания подождите 0,5 часа (рис. 7), чтобы масло снова стекло в оболочку.

8. Подключение к источнику электропитания

Перед каждым подключением проверяйте следующее:

- ▶ соответствуют ли источник электропитания, розетка и предохранитель характеристикам, указанным на паспортной табличке.
- ▶ заземлена ли розетка электропитания и не используются ли многоштепсельный адаптер либо удлинитель.
- ▶ соответствуют ли друг другу штепсельная вилка и розетка.

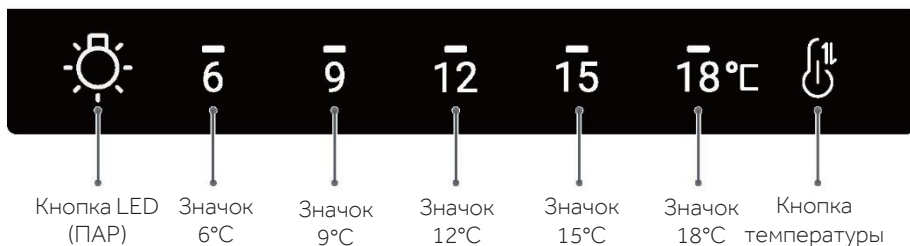
Подключите вилку к правильно установленной бытовой розетке.



ПРЕДУПРЕЖДЕНИЕ.

Во избежание рисков замену поврежденного шнура питания должна производить служба поддержки клиентов (см. гарантийный талон).

Панель управления



Диапазон температуры на панели дисплея составляет 6–18°C

По умолчанию установлена температура 12°C.

Вы можете задать температуру в соответствии с вашими требованиями к хранению вина.

1. Регулирование температуры

Нажмите кнопку температуры, чтобы подсветить значок текущего заданного уровня температуры сверху; нажмите кнопку температуры еще раз и меняйте температуру пошагово – всего 5 шагов. После того как температура достигнет 18°C, если вы продолжите изменять настройку, она упадет до 6°C, и далее по кругу. При выборе нужной настройки и остановке на 5 секунд система автоматически перейдет к текущим параметрам настройки.

2. Внутренняя подсветка

Нажмите кнопку подсветки один раз: в винном шкафу загорится свет; нажмите кнопку подсветки еще раз, и свет в винном шкафу погаснет, и далее по кругу.

3. Функция памяти на случай отключения питания

Настройку температуры винного шкафа можно записать в память прибора. После включения электропитания он вернется к настройке, актуальной до отключения питания.



Советы по энергосбережению

- ▶ Убедитесь в надлежащей вентиляции электроприбора (см. раздел УСТАНОВКА).
- ▶ Не устанавливайте прибор под прямыми солнечными лучами или вблизи источников тепла (например, печей и обогревателей).
- ▶ Старайтесь не устанавливать чрезмерно низкую температуру внутри прибора. Потребление электроэнергии тем больше, чем ниже установленная температура внутри прибора.
- ▶ Открывайте дверцу прибора как можно реже и на как можно меньшие промежутки времени.
- ▶ Не превышайте расчетное количество бутылок, чтобы не препятствовать обдуву.
- ▶ Уплотнения дверцы должны быть чистыми, чтобы дверца всегда закрывалась правильно.
- ▶ Максимально энергосберегающая конфигурация требует установки полок в приборе в соответствии с заводскими параметрами, а также размещения вина без перекрытия выпуска воздуха из воздуховода.

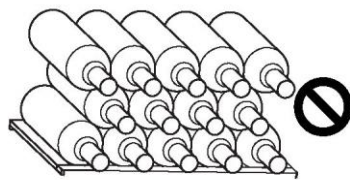
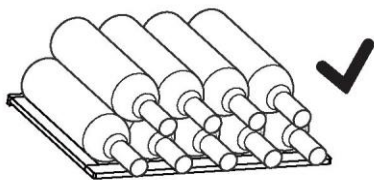
1. Полки

1. Полки предназначены для удобного хранения и легкого вынимания вина. Их можно очищать мягким полотенцем.
2. Обычные бутылки диаметром 76 мм можно штабелировать.
3. Бутылки формата Magnum можно укладывать штабелем на дно прибора.
4. Количество может отличаться от изображенного количества бутылок, если они уложены по-другому.



Меры предосторожности при использовании винного шкафа

Не кладите в винный шкаф слишком много вина, чтобы не превысить несущую способность полок. Не размещайте на каждой полке более трех слоев вина. Количество винных бутылок не должно превышать три слоя на каждой полке: несущая способность винных полок не превышает 15 кг.

Перед размещением бутылок в винном погребе убедитесь, что винные полки установлены совершенно устойчиво. Кроме того, проверьте, не выступают ли бутылки за пределы полок, чтобы бутылки не бились о стеклянную дверцу при закрытии.



2. Свет

Когда дверца открыта, нажмите  кнопку подсветки, чтобы включить свет; нажмите  кнопку подсветки еще раз, чтобы выключить свет.

3. Автоматическое размораживание

Этот прибор оснащен функцией автоматического размораживания. Во время использования проверяйте, чтобы дренажное отверстие не забивалось, а тающая вода беспрепятственно стекала через дренажное отверстие в водоприемник внутри корпуса винного шкафа.

Регулярно очищайте водоприемники в нижней части отсеков; используйте сухую ткань, чтобы впитывать воду в водоприемниках и протирать их (проводите очистку каждые три месяца согласно с рекомендациями).

1. Размораживание

Размораживание винного шкафа выполняется автоматически: ручное управление не требуется.

2. Замена светодиодной лампы

В лампе в качестве источника света используется светодиод, отличающийся низким энергопотреблением и длительным сроком службы. В случае каких-либо нарушений в работе свяжитесь со службой поддержки клиентов. См. раздел СЛУЖБА ПО РАБОТЕ С ЗАКАЗЧИКАМИ.

ПРЕДУПРЕЖДЕНИЕ.



Не заменяйте светодиодную лампу самостоятельно. Ее замену должен выполнять только производитель или уполномоченный сервисный представитель.

Параметры светодиодной лампы:

напряжение 12 В; максимальная мощность: 2 Вт

3. Неиспользование прибора в течение длительного времени

Отсоедините вилку от сети электропитания.

Очистите прибор и дверные уплотнители, как описано выше.

Держите дверцу открытой, чтобы предотвратить появление неприятных запахов внутри прибора.

4. Перемещение прибора

1. Выньте все бутылки и отсоедините прибор от розетки.
2. Закрепите полки и другие подвижные части в винном шкафу клейкой лентой.
3. Во избежание повреждения холодильной системы не наклоняйте винный шкаф более чем на 45°.

Многие возникающие проблемы можно решить самостоятельно, не имея специальных знаний. В случае возникновения проблем проверьте все указанные варианты и следуйте приведенным ниже инструкциям, прежде чем обращаться в службу послепродажного обслуживания. См. раздел СЛУЖБА ПО РАБОТЕ С ЗАКАЗЧИКАМИ.



ПРЕДУПРЕЖДЕНИЕ.

- ▶ Перед проведением технического обслуживания выключите прибор и отсоедините сетевую вилку от стенной розетки электросети.
- ▶ Обслуживание электрического оборудования должны проводить только квалифицированные специалисты по электрооборудованию, поскольку неправильный ремонт может привести к значительным последующим убыткам.
- ▶ При повреждении шнура питания во избежание возможной опасности его замену должен осуществлять производитель, его сервисный представитель или лица с подобной квалификацией.

Код ошибки	Причина	Решение
Мигает значок «9»	Неисправность датчика охлаждения.	Позвоните в сервисный центр послепродажного обслуживания.
Мигает значок «12»	Аварийный сигнал низкой температуры датчика охлаждения.	Позвоните в сервисный центр послепродажного обслуживания.

Проблема	Возможная причина	Возможное решение
Изморозь на задней внутренней стенке корпуса?	<ul style="list-style-type: none"> Холодильные трубки находятся на задней стороне внутренней камеры винного шкафа. 	<ul style="list-style-type: none"> Это нормальное явление. Шкаф автоматически замораживается без ущерба для нормального использования.
Слишком много шума?	<ul style="list-style-type: none"> Неустойчивое размещение. 	<ul style="list-style-type: none"> Отрегулируйте нижнюю ножку, чтобы обеспечить устойчивость корпуса шкафа. Убедитесь, что корпус шкафа не касается других предметов или стен.
Звук жидкости, текущей в корпусе шкафа?	<ul style="list-style-type: none"> Звук потока хладагента в циркуляционном трубопроводе холодильной системы. 	<ul style="list-style-type: none"> Это нормальное явление.
Винный шкаф не работает?	<ul style="list-style-type: none"> Соединение между вилкой винного шкафа и розеткой сети электропитания. Защитный режим компрессора. 	<ul style="list-style-type: none"> Убедитесь, что вилка винного шкафа правильно подключена к розетке; розетка питания находится под напряжением; в помещении используется исправный предохранитель. Компрессор имеет защитный режим с интервалом 7 минут.
Зачем с обеих сторон корпуса небольшие выступы?	<ul style="list-style-type: none"> Явление расширения и сжатия, вызванных теплом. 	<ul style="list-style-type: none"> Это нормальное явление. Целью является обеспечение хорошего отведения тепла и высокоэффективной работы винного шкафа.
Дверца закрыта неплотно, утечка воздуха?	<ul style="list-style-type: none"> После использования изделия в течение определенного времени уплотнитель дверцы может легко затвердевать и деформироваться из-за пониженной температуры в шкафу. 	<ul style="list-style-type: none"> Разогрейте деформированный участок горячим воздухом из фена или накройте этот участок горячим полотенцем. Плотно закройте дверцу, когда уплотнитель дверцы станет мягким.
Компрессор работает в течение длительного времени?	<ul style="list-style-type: none"> Дверца винного шкафа не закрыта, или ее слишком часто открывали? В винный шкаф положили слишком много напитков за один раз. Винный шкаф настроен на недостаточное значение температуры? 	<ul style="list-style-type: none"> Плотно закройте дверцу или сократите количество ее открываний. Не кладите слишком много напитков один раз и оставляйте промежуток между емкостями. Настройку шкафа можно отрегулировать соответствующим образом.

Проблема	Возможная причина	Возможное решение
Когда винный шкаф работает, издает ли он «щелкающие» звуки?	<ul style="list-style-type: none"> Из-за колебаний температуры различные материалы подвергаются тепловому расширению и сжатию. Во время использования источником таких звуков является работа реле и других электрических компонентов. 	<ul style="list-style-type: none"> Это нормальное явление.
Винный шкаф не может достаточно остыть?	<ul style="list-style-type: none"> Возможно, настройка температуры слишком высокая. Воздействие прямых солнечных лучей или источников тепла поблизости. В винном шкафу горячие напитки. Напитков в винном шкафу слишком много. Возможно, дверцу винного шкафа часто открывают или закрывают. 	<ul style="list-style-type: none"> Снизьте температуру в настройках. Избегайте попадания на прибор прямых солнечных лучей и устанавливайте его подальше от источников тепла. Напитки не должны перегреваться. Напитков за один раз не должно быть слишком много. Пожалуйста, плотно закройте дверцу или сократите количество открываний.
В винном шкафу странный запах?	<ul style="list-style-type: none"> Недавно купленный винный шкаф пахнет пенообразователем или пластиком. 	<ul style="list-style-type: none"> Это нормальная ситуация, и она будет медленно изменяться в дальнейшем. Пожалуйста, вовремя проверяйте винный шкаф на наличие испорченных напитков. Ароматные напитки должны быть плотно обернуты в полиэтиленовые пакеты. Винный шкаф следует регулярно очищать.
На дверце винного шкафа есть конденсат?	<ul style="list-style-type: none"> Открывали ли дверцу слишком часто или на длительное время. Не слишком ли низкая настройка температуры в шкафу. Высокая температура и влажность окружающей среды. 	<ul style="list-style-type: none"> Пожалуйста, плотно закройте дверцу или сократите количество открываний. Температура в винном шкафу не должна быть слишком низкой. Пожалуйста, вытрите его сухой тканью.
Не слишком ли яркий свет?	<ul style="list-style-type: none"> Подключено ли электропитание? Не повреждена ли лампа? 	<ul style="list-style-type: none"> Проверьте источник питания. Проверьте лампу.

Чтобы связаться с технической поддержкой, посетите наш веб-сайт:

<https://corporate.haier-europe.com/en/>

В разделе «веб-сайт» выберите торговую марку вашего продукта и свою страну. Вы будете перенаправлены на конкретный веб-сайт, где сможете найти номер телефона и форму для обращения в службу технической поддержки.

Справочный листок технических данных в соответствии с регламентом ЕС

Бренд	Haier	Haier	Haier
Название/идентификатор модели	HWS33GG	HWS31GGE	HWS33GGFR
Номинальная емкость бутылки	33	31	33
Категория бытового холода	I	I	I
Класс энергоэффективности	G	G	G
Годовое потребление энергии (кВтч/год) 1)	154	154	154
Объем хранения (л)	93	93	93
Климатический класс: Этот прибор предназначен для использования при температуре окружающей среды от 16°C до 38°C.	ST	ST	ST
Воздушный акустический шум (дБ(А) относительно 1 пВт)	C(37)	C(37)	C(37)
Тип прибора	Freestanding	Freestanding	Freestanding
Этот прибор предназначен для использования исключительно для хранения вина.	Да	Да	Да
Размеры (Г/Ш/В в мм)	455/499/830	455/499/830	455/499/830

1) по результатам стандартных испытаний в течение 24 часов. Фактическое потребление энергии зависит от текущего состояния окружающей среды, количества бутылок, заданной температуры, открытия и закрытия дверцы и т.д.

2) Номинальное энергопотребление – это значение, полученное в условиях стандартного испытания, когда винный шкаф не включает внутреннее освещение и циклы подачи воздуха.

- расширенный умеренный: «этот холодильный прибор предназначен для эксплуатации при температуре окружающей среды от 10 °С до 32 °С»,
- умеренный: «этот холодильный прибор предназначен для эксплуатации при температуре окружающей среды от 16 °С до 32 °С»,
- субтропический: «этот холодильный прибор предназначен для эксплуатации при температуре окружающей среды от 16 °С до 38 °С»,
- тропический: «этот холодильный прибор предназначен для эксплуатации при температуре окружающей среды от 16 °С до 43 °С»,

Стандарты и директивы **CE**

Данный продукт соответствует требованиям всех применимых директив ЕС с соответствующими гармонизированными стандартами для маркировки CE.

Мы рекомендуем услуги нашей службы по работе с заказчиками Haier и использование оригинальных запасных частей.

Если у вас возникла проблема с прибором, сначала сверьтесь с разделом ПОИСК И УСТРАНЕНИЕ НЕИСПРАВНОСТЕЙ. Если вы смогли найти решение, пожалуйста, свяжитесь с

- ▶ вашим местным дилером или
- ▶ воспользуйтесь разделом «Service & Support» (Сервис и поддержка) на сайте www.haier.com, где вы найдете номера телефонов и часто задаваемые вопросы, а также сможете подать заявку на обслуживание.

Чтобы связаться с нашей службой, убедитесь, что у вас имеются следующие данные.

Информацию можно найти на паспортной табличке.

Модель _____ Серийный № _____

Также сверьтесь с гарантийным талоном, поставляемым с продуктом, в гарантийном случае.

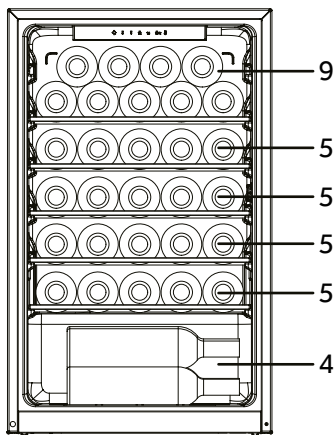
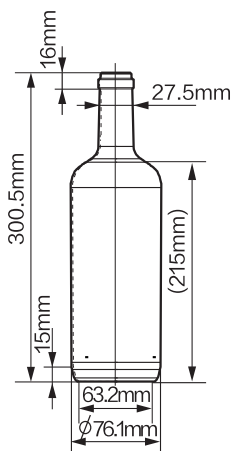
Для общих организационно-коммерческих запросов используйте наши адреса в Европе, указанные ниже:

Адреса Haier в Европе			
Страна*	Почтовый адрес	Страна	Почтовый адрес
Италия	Haier Europe Trading SRL Via De Cristoforis, 12 21100 Varese ITALY	Франция	Haier Europe Trading SRL Via De Cristoforis, 12 21100 Varese ITALY
Испания Португалия	Haier Iberia SL Pg. Garcia Faria, 49-51 08019 Barcelona SPAIN	Бельгия – французский Бельгия – голландский Нидерланды Люксембург	Haier Benelux SA Anderlecht Route de Lennik 451 BELGIUM
Германия Австрия	Haier Deutschland GmbH Hewlett-Packard-Str. 4 D-61352 Bad Homburg GERMANY	Польша Чехия Венгрия Греция	Haier Poland Sp. zo.o. Al. Jerozolimskie 181B 02-222 Warszawa POLAND
Соединенное Королевство Великобритании и Северной Ирландии	Haier Appliances UK Co. Ltd. One Crown Square Church Street East Woking, Surrey, GU21 6HR UK	Румыния Россия	

НАЛИЧИЕ ЗАПАСНЫХ ЧАСТЕЙ: Термостаты, датчики температуры, печатные платы и источники света доступны в течение минимум 7 лет после вывода последней единицы модели прибора на рынок. Дверные ручки, дверные петли, лотки и корзины будут доступны на протяжении не менее 7 лет, а дверные уплотнители – не менее 10 лет после вывода на рынок последней единицы модели прибора.

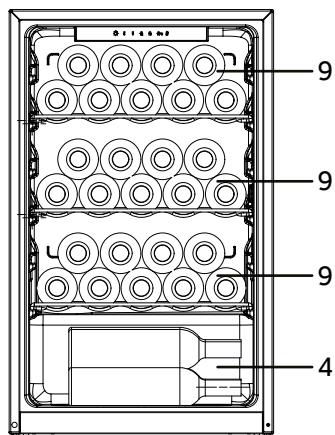
Минимальная гарантия: 2 года для стран ЕС, 3 года для Турции, 1 год для Великобритании, 1 год для России, 3 года для Швеции, 2 года для Сербии, 5 лет для Норвегии, 1 год для Марокко, 6 месяцев для Алжира, для Туниса какая-либо юридическая гарантия не требуется.

Для получения дополнительной информации о продукте посетите веб-сайт <https://eprel.ec.europa.eu/> или отсканируйте QR-код на этикетке класса энергопотребления, поставляемой с прибором



HWS33GGFR
HWS33GG

(вместимость 33 бутылки)



HWS31GGE

(вместимость 31 бутылки)



Uživatelská příručka

Vinný sklípek

HWS33GG
HWS31GGE
HWS33GGFR

CS

Haier

Děkujeme vám, že jste si koupili výrobek značky Haier.

Před použitím spotřebiče si pozorně přečtěte tyto pokyny. Obsahují důležité informace, které vám pomohou co nejlépe využít spotřebič a zajistit jeho bezpečnou a správnou instalaci, používání a údržbu. Uchovejte tuto příručku na praktickém místě, abyste do ní mohli kdykoli nahlédnout ohledně bezpečného a správného používání spotřebiče.

Pokud spotřebič prodáváte, věnujete nebo necháváte ve starém domě, předejte společně s ním také tuto příručku, aby se mohl nový vlastník seznámit se spotřebičem a přečíst si bezpečnostní varování.



Legenda



Varování – důležité bezpečnostní informace

Všeobecné informace a tipy



Informace týkající se životního prostředí



Likvidace

Pomáhejte chránit životní prostředí a lidské zdraví. Vložte obalový materiál do vhodných kontejnerů pro recyklaci. Pomáhejte recyklovat odpadní elektrické a elektronické spotřebiče. Spotřebiče označené tímto symbolem nevyhazujte do domovního odpadu. Zašlete výrobek do místního recyklačního závodu, nebo se obraťte na váš obecní úřad.



LE TRI
+ FACILE



VAROVÁNÍ!

Nebezpečí poranění nebo udušení!

Chladiva a plyny vyžadují profesionální likvidaci. Zajistěte, aby se potrubí chladicího okruhu nepoškodilo, než bude náležitě zlikvidováno. Odpojte spotřebič od síťového napájení. Odstříhnete síťový kabel a zlikvidujte ho. Odstraňte police a přihrádky, stejně jako západku a těsnění dvírek, aby se zamezilo uzavření dětí a domácích zvířat uvnitř spotřebiče.

Staré spotřebiče mají stále určitou zbytkovou hodnotu. Způsob likvidace šetrný k životnímu prostředí zaručí, že bude možné znovu získat a využít cenné suroviny.

Jako nadouvadlo pro pěnovou izolaci se používá cyklopentan, což je hořlavá látka, která nepoškozuje ozónovou vrstvu.

Zajištěním správné likvidace tohoto výrobku pomůžete předcházet případným negativním důsledkům pro životní prostředí a lidské zdraví, k nimž by jinak mohlo docházet.

Podrobnější informace o profesionální recyklaci tohoto výrobku získáte na místním obecním úřadě, u společnosti zajišťující odvoz domovního odpadu nebo v prodejně, kde jste výrobek zakoupili.

1 - Bezpečnostní informace	4
2 - Tipy týkající se bezpečnosti	7
3 - Údržba	11
4 - Příslušenství	13
5 - Popis výrobku	14
6 - Instalace	15
7 - Používání	17
8 - Tipy pro úsporu energie	18
9 - Vybavení	19
10 - Čištění a údržba	20
11 - Řešení problémů	21
12 - Technické údaje	25
13 - Zákaznický servis	26
14 - Skládání láhví vína	27

Tento spotřebič je určen výhradně k ukládání vína. Před prvním zapnutím spotřebiče si přečtěte následující rady týkající se bezpečnosti:



VAROVÁNÍ!

Před prvním použitím

- ▶ Ujistěte se, že při přepravě nedošlo k žádnému poškození.
- ▶ Odstraňte veškerý obalový materiál, uschovejte ho mimo dosah dětí a zlikvidujte ho způsobem šetrným k životnímu prostředí.
- ▶ Před instalací spotřebiče počkejte alespoň dvě hodiny, aby byla zaručena plná účinnost okruhu chladiva.
- ▶ Se spotřebičem vždy manipulujte alespoň ve dvou osobách, protože je těžký.

Instalace

- ▶ Spotřebič by se měl umístit do dobře větrané místnosti. Nad spotřebičem a kolem něj zajistěte volný prostor alespoň 10 cm.
- ▶ **VAROVÁNÍ:** Zajistěte, aby ve skříni spotřebiče nebo v konstrukci pro vestavění nic nezakrývalo větrací otvory.
- ▶ Nikdy neumísťujte spotřebič do vlhkého prostoru nebo na místo, kde by na něj mohla stříkat voda. Vodu a skvrny odstraňte a vysušte měkkou, čistou látkou.
- ▶ Neinstalujte vinný sklípek na místě, které není řádně izolováno nebo vytápěno (např. v garáži apod.). Váš vinný sklípek nebyl navržena pro provoz při okolní teplotě nižší než 16 °C.
- ▶ Neinstalujte spotřebič na přímé sluneční světlo nebo do blízkosti zdrojů tepla (např. sporáků nebo ohřívačů).
- ▶ Nainstalujte spotřebič na místo odpovídající jeho velikost a používání a vyrovnejte ho.
- ▶ Ujistěte se, že parametry elektrického napájení se shodují s údaji na typovém štítku. V opačném případě kontaktujte elektrikáře.
- ▶ Spotřebič pracuje s napájením 220–240 V / 50 Hz. Nenormální kolísání napětí může způsobit, že spotřebič se nespustí, nebo se poškodí regulátor teploty či kompresor, případně se může za chodu ozývat neobvyklý hluk. V takovém případě by se měl nainstalovat automatický regulátor.
- ▶ Nepoužívejte rozbočovací adaptéry ani prodlužovací kabely.



VAROVÁNÍ!

- ▶ VAROVÁNÍ: Neumísťujte za spotřebič přenosné rozbočovací zásuvky ani prodlužovací kabely.
- ▶ VAROVÁNÍ: Při umísťování spotřebiče se ujistěte, že napájecí kabel není zachycený nebo poškozený.
- ▶ Nešlapejte na napájecí kabel.
- ▶ K napájení použijte samostatnou, snadno přístupnou uzemněnou zásuvku. Tento spotřebič musí být uzemněný.
- ▶ Pouze pro Spojené království: Napájecí kabel spotřebiče je vybaven trojpólovou zástrčkou (s uzemněním), která se zapojuje do standardní trojpólové zásuvky (s uzemněním). Nikdy neodřezávejte ani nedemontujte třetí kolík (uzemnění). Zástrčka by měla být přístupná po instalaci spotřebiče.
- ▶ VAROVÁNÍ: Nepoškodte okruh chladiva.

Denní používání

- ▶ Tento spotřebič mohou používat děti starší osmi let a osoby s omezenými fyzickými, smyslovými nebo duševními schopnostmi nebo osoby nezkušené a neznalé za předpokladu, že mají zajištěný dohled nebo byly poučeny o bezpečném používání spotřebiče a chápou související rizika.
- ▶ Děti si se spotřebičem nesmějí hrát.
- ▶ Děti ve věku od 3 do 8 let mohou chladničky plnit a vyprazdňovat, ale nesmějí je čistit ani instalovat.
- ▶ Zabraňte dětem mladším 3 let v přístupu ke spotřebiči, pokud nejsou pod nepřetržitým dozorem.
- ▶ Děti nesmějí provádět čištění a uživatelskou údržbu bez dozoru.
- ▶ Spotřebič musí být umístěn tak, aby byla zástrčka přístupná.
- ▶ Jestliže v blízkosti spotřebiče uniká svítiplyn nebo jiný hořlavý plyn, vypněte ventil unikajícího plynu, otevřete dveře a okna a neodpojujte napájecí kabel spotřebiče od zásuvky.
- ▶ Po odpojení napájení počkejte nejméně 7 minut, než opět připojíte napájení.
- ▶ Nezdvihejte spotřebič za madla jeho dvířek.



VAROVÁNÍ!

- ▶ Upozorňujeme, že spotřebič je nastaven na provoz při určitém rozsahu teplot mezi 16 a 38 °C. Spotřebič nemusí řádně fungovat, pokud je po dlouhou dobu vystaven teplotám nad nebo pod indikovaným rozsahem.
- ▶ Nepokládejte na horní stranu spotřebiče nestabilní předměty (těžké předměty, nádoby naplněné vodou), aby se předešlo zranění způsobenému pádem nebo elektrickým proudem v důsledku styku s vodou.
- ▶ Otvírejte a zavírejte dvířka pouze pomocí madel. Mezera mezi dvířky a skříní je velmi úzká. Nevkládejte do těchto míst ruce, abyste si nepřiskřípli prsty. Dvířka spotřebiče otvírejte nebo zavírejte pouze v případě, že v dosahu jejich pohybu nestojí žádné děti.
- ▶ Ve spotřebiči nebo v jeho blízkosti neskladujte ani nepoužívejte hořlavé, výbušné nebo korozivní látky.
- ▶ V tomto spotřebiči neskladujte výbušné látky, jako jsou nádoby s aerosolem, v nichž se používá hořlavý hnací plyn.
- ▶ Ve spotřebiči neskladujte léky, bakterie ani chemické látky. Tento spotřebič je určen k použití v domácnosti, nedoporučuje se v něm skladovat materiály, které vyžadují přesně stanovené teploty.
- ▶ Nenastavujte zbytečně nízkou teplotu ve vnitřním prostoru pro víno. Při vysokém nastavení může teplota klesnout do záporných hodnot. Pozor: Láhve mohou prasknout.
- ▶ Za provozu se nedotýkejte vnitřního povrchu prostoru spotřebiče, zejména ne mokřýma rukama, protože by mohly přimrznout k povrchu.
- ▶ Správné chlazení vína vyžaduje, aby se spotřebič nepřehřival.
- ▶ V případě výpadku napájení nebo před čištěním odpojte spotřebič od napájení. Před opětovným spuštěním spotřebiče počkejte alespoň 7 minut, protože časté spouštění by mohlo poškodit kompresor.
- ▶ **VAROVÁNÍ:** jedná se o typ doporučený výrobcem. Aby se zamezilo rizikům, výměnu poškozeného napájecího kabelu musí provést zákaznický servis (viz záruční list).
- ▶ Nevypínejte spotřebič, abyste prodloužili jeho provozní životnost.
- ▶ Nikdy nepokládejte spotřebič vodorovně na zem. Po naklonění spotřebiče v úhlu větším než 45° počkejte půl hodiny, než ho připojíte k napájení.



VAROVÁNÍ!

Údržba/čištění

- ▶ Jestliže jsou čištění a údržba prováděny dětmi, je nutné na ně dohlížet.
- ▶ Před zahájením jakékoli pravidelné údržby odpojte spotřebič od elektrického napájení. Před opětovným spuštěním spotřebiče počkejte alespoň 7 minut, protože časté spouštění by mohlo poškodit kompresor.
- ▶ Při odpojování spotřebiče od napájení držte zástrčku, nikoli kabel.
- ▶ Nečistěte spotřebič tvrdými kartáči, drátěnými kartáči, práškovým mycím prostředkem, benzínem, amylacetátem, acetonem, podobnými organickými roztoky a kyselými nebo zásaditými roztoky. K čištění použijte speciální čisticí prostředek na chladničky/mrazičky, aby se zamezilo poškození. Nakonec použijte roztok jedlé sody v teplé vodě – asi jednu polévkovou lžičku jedlé sody na litr vody. Důkladně opláchněte povrch vodou a otřete ho do sucha. Nepoužívejte práškové ani jiné abrazivní čisticí prostředky. Nemyjte odnímatelné součásti v myčce.
- ▶ **VAROVÁNÍ:** Nepoužívejte mechanické nástroje ani jinak neurychlujte proces rozmrazování. Používejte pouze prostředky doporučené výrobcem.
- ▶ Pokud se poškodí napájecí kabel, výměnu musí provést výrobce, jeho servisní zástupce nebo osoba s podobnou kvalifikací, aby se vyloučilo riziko.
- ▶ Nepokoušejte se opravovat, rozebírat nebo upravovat spotřebič vlastními silami. Je-li nutná oprava, obraťte se na náš zákaznický servis.
- ▶ Pokud se poškodí osvětlovací žárovky, výměnu musí provést výrobce, jeho servisní zástupce nebo osoby s podobnou kvalifikací, aby se vyloučilo riziko.
- ▶ Alespoň jednou za rok odstraňte prach ze zadní strany spotřebiče, aby se předešlo nebezpečí požáru a snížila se spotřeba energie.

- ▶ Během čištění na spotřebič nestříkejte ani nelijte vodu.
- ▶ K čištění spotřebiče nepoužívejte vodní postřík ani proud vody.
- ▶ Nečistěte chladná skleněná dvířka horkou vodou. Náhlá změna teploty by mohla způsobit, že sklo praskne.
- ▶ Pokud spotřebič delší dobu nepoužíváte, nechte ho otevřený, aby uvnitř nevznikl nepříjemný zápach.

Informace o plynném chladivu



VAROVÁNÍ!

Spotřebič obsahuje hořlavé chladivo ISOBUTAN (R600a).

Ujistěte se, že během přepravy nebo instalace nedošlo k poškození okruhu chladiva. Unikající chladivo by mohlo způsobit zranění očí, nebo by se mohlo vznítit. Pokud dojde k poškození, nepřibližujte se s otevřeným plamenem, důkladně vyvětrejte místnost a nezapojujte ani neodpojujte napájecí kabely tohoto či jiných spotřebičů. Informujte zákaznický servis.

V případě zasažení očí chladivem důkladně vypláchněte oči pod tekoucí vodou a ihned zavolejte očnímu lékaři.

VAROVÁNÍ: Systém chlazení je pod vysokým tlakem. Nemanipulujte s ním. Vzhledem k používání hořlavých chladiv je nutné přísně dodržovat pokyny pro instalaci, manipulaci a údržbu spotřebiče a pokud chcete spotřebič zlikvidovat, obraťte se na odborníka nebo náš prodejný servis.

Určené použití


Tento spotřebič je určen k používání v domácnostech a podobných oblastech, jako jsou:

- kuchyňky pro personál v obchodech, kancelářích a na dalších pracovištích;
 - chalupy a hotely, motely a další obytné objekty, kde je používají zákazníci;
 - ubytovací zařízení typu penzionu se snídaní;
 - cateringové služby a podobné aplikace, ve kterých se nejedná o maloobchodní prodej.
- Dodržujte tento návod k použití, zajistíte tím bezpečné uchovávání vína.
- Podrobné informace o nejvhodnějších částech prostoru spotřebiče pro uchovávání určitých typů potravin s ohledem na rozložení teplot, které se mohou vyskytovat v různých prostorech spotřebiče, jsou uvedeny v jiné části příručky.

Na spotřebiči neprovádějte žádné změny nebo úpravy.
Používání k jinému než určenému účelu může představovat nebezpečí a vést ke ztrátě platnosti záruky.

Likvidace



Symbol  na výrobku nebo jeho obalu znamená, že s tímto výrobkem nelze nakládat jako s domovním odpadem. Místo toho musí být dopraven do příslušného sběrného místa pro recyklaci elektrických a elektronických zařízení. Zajištěním správné likvidace tohoto výrobku pomůžete předcházet případným negativním důsledkům pro životní prostředí a lidské zdraví, k nimž by jinak mohlo docházet při nesprávné manipulaci s tímto výrobkem. Podrobnější informace o recyklaci tohoto výrobku získáte na místním obecním úřadě, u společnosti zajišťující odvoz domovního odpadu nebo v prodejně, kde jste výrobek zakoupili.

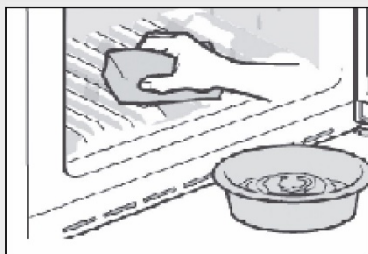
Vzhledem k použití hořlavých nadouvadatel pro izolaci svěřte likvidaci spotřebiče odborníkům nebo našemu poprodejnímu servisu.

VAROVÁNÍ!

Nebezpečí udušení!

Chladiva a plyny vyžadují profesionální likvidaci. Zajistěte, aby se potrubí chladicího okruhu nepoškodilo, než bude náležitě zlikvidováno. Odpojte spotřebič od síťového napájení. Odstřihněte síťový kabel a zlikvidujte ho. Odstraňte police a přihrádky, stejně jako západku a těsnění dvířek, aby se zamezilo uzavření dětí a domácích zvířat uvnitř spotřebiče.

- ▶ **VAROVÁNÍ:** Před čištěním odpojte spotřebič od napájení.
- ▶ Nečistěte spotřebič tvrdými kartáči, drátěnými kartáči, práškovým mycím prostředkem, benzínem, amylacetátem, acetonem, podobnými organickými roztoky a kyselými nebo zásaditými roztoky. K čištění použijte speciální čisticí prostředek na chladničky, aby se zamezilo poškození.
- ▶ Spotřebič čistěte, když je v něm uloženo jen málo vína nebo žádné víno. Je nutné jej čistit pouze tehdy, když je znečištěný.
- ▶ Očistěte vnitřek a skříň spotřebiče houbou navlhčenou v teplé vodě s neutrálním čisticím prostředkem
- ▶ Opláchněte ho čistou teplou vodou a vysušte ho suchým hadříkem.
- ▶ Nemyjte žádné součásti spotřebiče v myčce.
- ▶ Před opětovným spuštěním spotřebiče počkejte alespoň 7 minut, protože časté spouštění by mohlo poškodit kompresor.



Čištění těsnění dvířek:

- ▶ Těsnění dvířek by se mělo čistit, aby bylo zaručeno správné přilnutí. Jak je znázorněno níže: Odstranění: Uchopte těsnění dvířek a vytáhněte ho ve směru šipky, aby se vcelku oddělilo od dvířek.

Namočte kartáč do vody nebo alkoholu vhodného pro potravinářství a nejprve vykartáčujte drážku těsnění dvířek. Potom otřete povrch těsnění dvířek utěrkou namočenou ve vodě nebo potravinářském lihu. Nakonec omyjte těsnění dvířek čistou vodou a vysušte ho čistou utěrkou.



Instalace těsnění dvířek po vyčištění:

Před instalací se ujistěte, že na těsnění dvířek není žádná voda. Vložte těsnění dvířek do drážky a pevně ho zatlačte rukou odshora dolů tak, aby bylo celé uvnitř drážky.

Čištění polic:

Všechny police lze vyjmout za účelem čištění.

Vyndejte všechny láhve.

Každou polici nadzdvihněte a vytáhněte ven.

Vyčistěte polici měkkou utěrkou.

Počkejte, až police uschnou, než je vložíte zpět do spotřebiče.

Zkontrolujte příslušenství a literaturu podle tohoto seznamu: bez izolace.

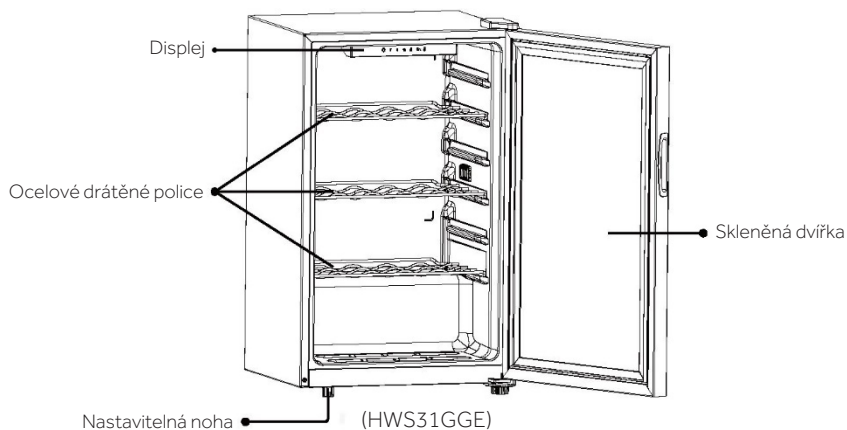
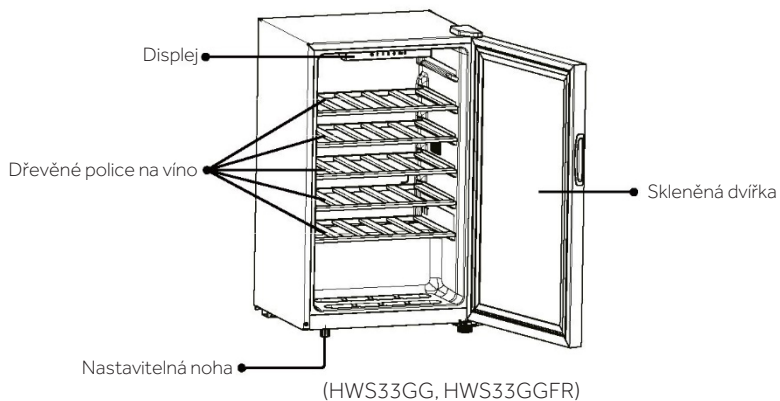
Množství Název Režim výrobku	Uživatelská příručka	Informační sada	Dřevěné police na víno	Ocelové drátěné police
HWS33GG	1	1	5	0
HWS31GGE	1	1	0	3
HWS33GGFR	1	1	5	0



Upozornění

Vzhledem k technickým změnám a různým modelům nemusí některé obrázky v této příručce přesně zobrazovat váš model.

Obrázek spotřebiče



Tento výrobek obsahuje světelný zdroj s třídou energetické účinnosti G.

1. Vybalení

- ▶ Vyměňte spotřebič z obalu,
- ▶ Odstraňte veškerý obalový materiál včetně pěnové základny a všech lepicích pásek, které přidržují příslušenství,

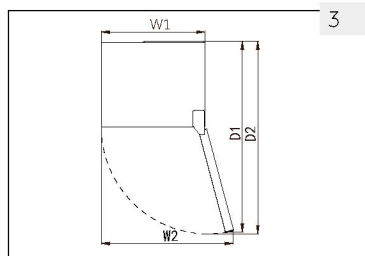
2. Podmínky prostředí

Teplota v místnosti by měla být vždy mezi 16 °C a 38 °C, protože může ovlivnit teplotu uvnitř spotřebiče a jeho spotřebu energie. Neinstalujte spotřebič v blízkosti jiných spotřebičů vyzařujících teplo (troubu, chladničky) bez izolace.

3. Požadavky na místo

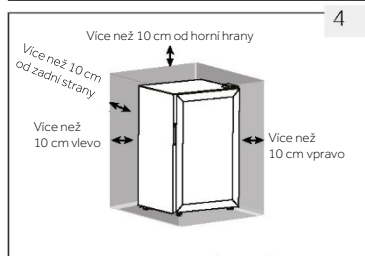
Potřebný prostor pro otvírání dveří (obr. 3):

Šířka v mm		Hloubka v mm	
W1	W2	D1	D2
499	633	905	919



4. Prostor pro větrání

Z bezpečnostních a energetických důvodů je nutné dodržet požadovanou větrací vzdálenost 10 cm ve všech směrech (obr. 4).



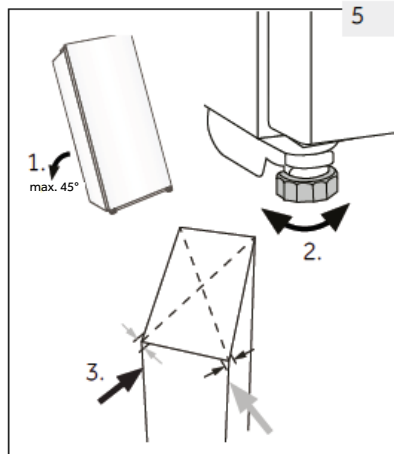
VAROVÁNÍ!

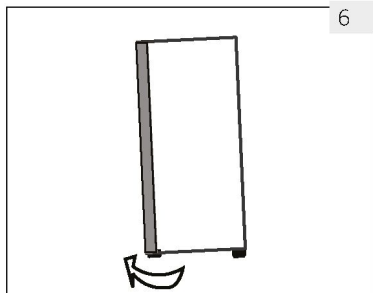
- ▶ Zbavte větrací otvory ve spotřebiči nebo ve vestavěné konstrukci překážek. Tento chladicí spotřebič není určen k použití jako vestavěný spotřebič.

5. Vyrovnání spotřebiče

Spotřebič by se měl postavit na rovný a pevný povrch,

1. Mírně nakloňte spotřebič dozadu (obr. 5),
2. Otáčením nastavte nastavitelné přední nohy na požadovanou výšku,
3. Stabilitu lze zkontrolovat střídavým narážením na úhlopříčky, mírné kývání by mělo být v obou směrech stejné, jinak se může rám deformovat; důsledkem je možná netěsnost těsnění dveří, nízký sklon dozadu usnadňuje zavírání dveří,





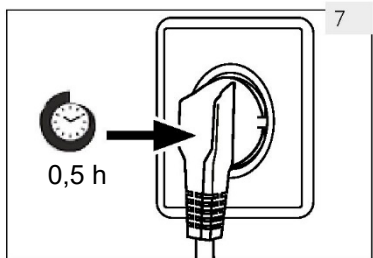
6

6. Jemné nastavení dvířek

Pokud se použijí vyrovnávací nohy na přední straně, spotřebič se bude snáze zavírat:

Otáčením nastavitelných noh (obr. 6) zvyšujete nebo snižujete výšku:

- ▶ Otáčením noh doprava se zvyšuje výška spotřebiče.
- ▶ Otáčením noh doleva se snižuje výška spotřebiče.



7

7. Doba čekání

V kapsli kompresoru se nachází bezúdržbový mazací olej. Pokud se spotřebič během přepravy nakloní, olej se může dostat do uzavřeného potrubního systému. Před připojením spotřebiče k napájení počkejte půl hodiny (obr. 7), aby všechny olej natekl zpět do kapsle.

8. Připojení k elektrickému napájení

Před každým připojením zkontrolujte:

- ▶ zda napájení, zásuvka a jištění odpovídají údajům na typovém štítku.
- ▶ zda je síťová zásuvka uzemněná a nepoužívá se rozbočovací adaptér ani prodlužovací kabel.
- ▶ zda zástrčka správně zapadne do zásuvky.

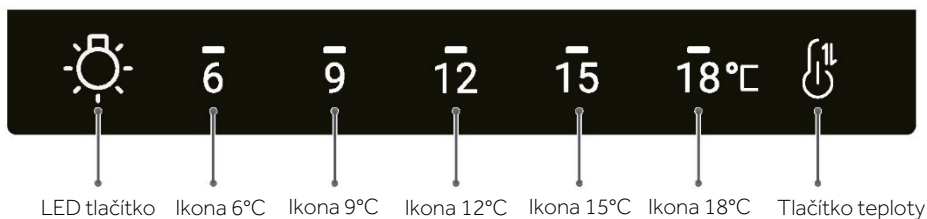
Zapojte zástrčku do náležitě nainstalované domácí zásuvky.



VAROVÁNÍ!

Aby se zamezilo rizikům, výměnu poškozeného napájecího kabelu musí provést zákaznický servis (viz záruční list).

Ovládací panel



Teplotní rozsah panelu displeje je 6 - 18 °C

Výchozí nastavení teploty je 12 °C

Teplotu můžete nastavit podle svých požadavků na skladování vína.

1. Nastavení teploty

Stisknutím tlačítka „Teplota“ se rozsvítí horní ikona aktuální úrovně nastavení teploty; opětovným stisknutím tlačítka „Teplota“ nastavíte teplotu o jednu úroveň nahoru z celkových 5 úrovní.

Když teplota dosáhne 18 °C, při dalším nastavování bude 6 °C. Po zvolení požadovaného stupně a zastavení provozu na 5 sekund se systém automaticky přepne na aktuální parametry nastavení.

2. Vnitřní světlo

Stiskněte jednou tlačítko „Osvětlení“, světlo ve skříni se rozsvítí; stiskněte znovu tlačítko „Osvětlení“, světla ve skříni zhasnou.

3. Funkce paměti při vypnutí

Nastavení teploty ve skříni bude uloženo. Po opětovném zapojení se vrátí do nastavení před zapnutím.



Tipy pro úsporu energie

- ▶ Zajistěte, aby měl spotřebič náležité větrání (viz INSTALACE).
- ▶ Neinstalujte spotřebič na přímé sluneční světlo nebo do blízkosti zdrojů tepla (např. sporáků nebo ohřivačů).
- ▶ Vyhýbejte se zbytečně nízké teplotě uvnitř spotřebiče. Čím nižší je nastavená teplota ve spotřebiči, tím vyšší je spotřeba energie.
- ▶ Otvírejte dvířka spotřebiče co nejméně a na co nejkratší dobu.
- ▶ Nepřekračujte stanovené množství láhví, aby se nenarušilo proudění vzduchu.
- ▶ Udržujte těsnění dvířek v čistém stavu, aby se dvířka vždy správně zavírala.
- ▶ Energeticky nejúspornější konfigurace vyžaduje, aby byly police ve stavu jako z výroby a aby uložené víno nezakrývalo výstup vzduchového kanálu.

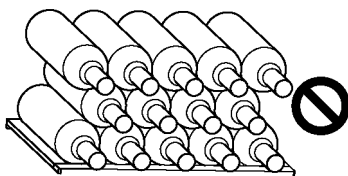
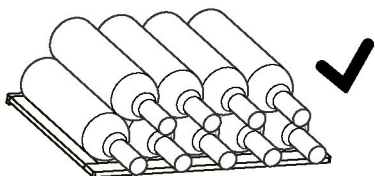
1. Police

1. Police jsou navrženy tak, aby umožňovaly snadné ukládání a vyndávání vína. Lze je čistit měkkou utěrkou.
2. Běžné láhve o průměru 76 mm lze skládat na sebe.
3. Láhve Magnum lze skládat na sebe ve spodní části.
4. Pokud se láhve skládají jinak, množství se může lišit od vyobrazeného počtu.



Bezpečnostní opatření pro používání vinného sklípku

Neukládejte do sklípku příliš mnoho vína, abyste nepřekročili nosnost polic na víno. Na každou polici neukládejte více než tři vrstvy vína. Počet lahví vína by neměl překročit tři vrstvy na každé polici nebo nosnost polic na víno by neměla překročit 15 kg.

Před umístěním lahví do vinného sklípku se ujistěte, zda jsou police na víno zcela stabilní. Dále se ujistěte, zda z polic nevyčnívá žádná láhev, aby nedošlo k nárazu lahví do skleněných dveří při zavírání.



2. Světlo

Když jsou dveře otevřené, stiskněte tlačítko světla  čimž se světlo rozsvítí; opětovným stisknutím tlačítka světla  se světlo vypne.

3. Automatické odmrazování

Tento spotřebič má funkci automatického odmrazování. Během používání se ujistěte, že odtokový otvor není ucpaný, aby rozmrazovací voda plynule protékala odtokovým otvorem do zásobníku vody uvnitř kabiny sklípku.

Pravidelně čistěte zásobníky vody na dně přihrádek; pomocí suchého hadříku nasajte vodu uvnitř zásobníků vody a otřete je (podle doporučení je čistěte každé tři měsíce).

1. Odmrazování

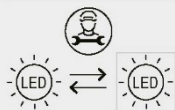
Vinný sklípek se odmrazuje automaticky; není nutný žádný ruční zásah.

2. Výměna žárovky LED

Jako zdroj světla v žárovce se používají diody LED, které se vyznačují nízkou spotřebou energie a dlouhou životností. Pokud se vyskytne nějaký neobvyklý stav, kontaktujte zákaznický servis. Viz ZÁKAZNICKÝ SERVIS.



VAROVÁNÍ!



Nevyměňujte žárovku LED vlastními silami. Její výměnu musí provést buď výrobce, nebo autorizovaný servisní zástupce.

Parametry žárovky LED:

Voltage 2V: Max. výkon: 2 W

3. Když se spotřebič delší dobu nepoužívá

Vytáhněte napájecí kabel ze zásuvky.

Vyčistěte spotřebič a těsnění dvířek podle výše uvedeného popisu.

Nechte dvířka otevřená, aby se uvnitř nevytvořil zápach.

4. Přemístování spotřebiče

1. Vyjměte všechny láhve a odpojte spotřebič od napájení.

2. Pripevněte police a ostatní pohyblivé součásti ve vinném sklípku lepicí páskou.

3. Nenaklánějte vinný sklípek v úhlu větším než 45°, aby se předešlo poškození chladicího systému.

Mnoho problémů můžete vyřešit sami bez konkrétních odborných znalostí. V případě nějakého problému zkontrolujte všechny možnosti a řiďte se níže uvedenými pokyny, než se obrátíte na poprodejní servis. Viz ZÁKAZNICKÝ SERVIS.



VAROVÁNÍ!

- ▶ Před zahájením údržby vypněte spotřebič a vytáhněte zástrčku napájecího kabelu ze síťové zásuvky.
- ▶ Servis elektrického zařízení by měli provádět pouze kvalifikovaní elektrikáři, protože nepatřičné opravy by mohly vést k vážným následným škodám.
- ▶ Poškozený napájecí kabel by měl vyměnit pouze výrobce, jeho servisní zástupce nebo osoby s podobnou kvalifikací, aby se vyloučilo riziko.

Chybový kód	Příčina	Řešení
Bliká ikona „9“	Porucha chladicího čidla.	Zavolejte na telefon poprodejního servisu.
Bliká ikona „12“	Kryogenní alarm chladicího čidla.	Zavolejte na telefon poprodejního servisu.

Problém	Možná příčina	Možné řešení
Na zadní straně vnitřní části je mráz?	<ul style="list-style-type: none"> Chladicí trubky jsou umístěny na zadní straně vnitřního obložení vinotéky. 	<ul style="list-style-type: none"> Jedná se o normální jev. Skříň automaticky zamrzne, aniž by to mělo vliv na běžné používání.
Spotřebič je příliš hlučný?	<ul style="list-style-type: none"> Nestabilní umístění. 	<ul style="list-style-type: none"> Upravte nastavení spodní nohy, aby byla skříňka stabilní. Ujistěte se, že se skříň nedotýká jiných předmětů nebo stěn.
Slyšíte ve skříni zvuk proudící kapaliny?	<ul style="list-style-type: none"> Zvuk proudění chladiva v cirkulačním potrubí chladicího systému. 	<ul style="list-style-type: none"> Jedná se o normální jev.
Vinotéka nefunguje?	<ul style="list-style-type: none"> Připojení mezi zástrčkou vinotéky a zásuvkou. Ochranný režim kompresoru. 	<ul style="list-style-type: none"> Ujistěte se, že je zástrčka vinotéky správně připojena k zásuvce; zásuvka je pod napětím; máte doma dobré pojistky. Kompresor má ochranný režim s intervalem 7 minut.
Proč jsou na obou stranách skříně mírné vroubky?	<ul style="list-style-type: none"> Jev roztažnosti a smršťování způsobený teplem. 	<ul style="list-style-type: none"> Jedná se o normální jev. Účelem je zajistit dobrý odvod tepla a vysokou pracovní účinnost vinotéky.
Dvířka nejsou pevně zavřená, uniká vzduch?	<ul style="list-style-type: none"> Po určité době používání výrobku těsnění dveří snadno ztvrdne a zdeformuje se, protože ve skříni je nižší teplota. 	<ul style="list-style-type: none"> Deformované místo zahřejte horkým vzduchem z fénu nebo zakryjte horkým ručníkem. Jakmile je těsnění dvířek měkké, pevně je zavřete.
Kompresor běží dlouhou dobu?	<ul style="list-style-type: none"> Nejsou dvířka skříně nedovřená nebo příliš mnohokrát otevíraná? Vloženo příliš mnoho nápojů najednou. Není skříň umístěna příliš nízko? 	<ul style="list-style-type: none"> Dvířka zavírejte pevně nebo omezte jejich otevírání. Nedávejte si příliš mnoho nápojů najednou a nechte si mezi jednotlivými nápoji odstup. Umístění skříně lze vhodně upravit.

Problém	Možná příčina	Možné řešení
Vydává vinotéka při chodu zvuk „cvaknutí“?	<ul style="list-style-type: none"> • Vlivem teplotních změn dochází u různých materiálů k tepelné roztažnosti a smršťování. Během používání dochází k působení relé a dalších elektrických součástí. 	<ul style="list-style-type: none"> • Jedná se o normální jev.
Nelze vinotéku dobře chladit?	<ul style="list-style-type: none"> • Nastavení teploty je příliš vysoké. • Vystavení přímému slunečnímu záření nebo zdrojům tepla v blízkosti. • Ve vinotéce jsou horké nápoje. • Vinotéka je přeplněná. • Dvířka vinotéky se často otevírají nebo zavírají. 	<ul style="list-style-type: none"> • Nastavení nižší teploty. • Zamezte přímému slunečnímu záření a chraňte vinotéku před zdroji tepla. • Nápoje by neměly být přehřáté. • Do vinotéky by se nemělo vkládat příliš mnoho nápojů najednou. • Dvířka zavírejte pevně nebo omezte jejich otevírání.
Je ve vinotéce cítit zvláštní zápach?	<ul style="list-style-type: none"> • Nově zakoupená vinotéka je cítit pěnidlem nebo plastem. 	<ul style="list-style-type: none"> • Jedná se o normální jev, který postupně vymizí. • Včas zkontrolujte, zda nejsou nápoje znehodnocené. • Páchnoucí nápoje musí být pevně zabaleny do plastových sáčků. • Vinotéku je třeba pravidelně čistit.
Dochází na dvířkách vinotéky ke kondenzaci?	<ul style="list-style-type: none"> • Dvířka se otevírají příliš často nebo na dlouhou dobu. • Nastavení teploty ve skříni je příliš nízké. • Vysoká okolní teplota a vlhkost. 	<ul style="list-style-type: none"> • Dvířka zavírejte pevně nebo omezte jejich otevírání. • Teplota ve skříni by neměla být nastavena příliš nízkou. • Osušte ji suchým hadříkem.
Světlo nesvítilo jasně?	<ul style="list-style-type: none"> • Je připojeno napájení? • Je svítidla poškozená? 	<ul style="list-style-type: none"> • Zkontrolujte napájení. • Zkontrolujte svítidlo.

Chcete-li kontaktovat technickou pomoc, navštivte naše webové stránky:

<https://corporate.haier-europe.com/en/>

V části „Website“ zvolte značku vašeho výrobku a vaši zemi. Budete přesměrováni na konkrétní webovou stránku, kde najdete telefonní číslo a kontaktní formulář technické pomoci.

Informační list výrobku podle nařízení EU č. 2019/2016

Značka	Haier	Haier	Haier
Název/označení modelu	HWS33GG	HWS31GGE	HWS33GGFR
Jmenovitá kapacita v počtu láhví	33	31	33
Kategorie chladicího spotřebiče pro domácnost	I	I	I
Třída energetické účinnosti	G	G	G
Roční spotřeba energie (kWh/rok) ¹⁾	154	154	154
Užitný objem (l)	93	93	93
Klimatická třída: Tento spotřebič je určen k používání při teplotě okolí mezi 16 °C a 38 °C.	ST	ST	ST
Emise hluku šířeného vzduchem (db(A) re 1 pW)	C(37)	C(37)	C(37)
Typ spotřebiče	Volně stojící	Volně stojící	Volně stojící
Tento spotřebič je určen výhradně k ukládání vína.	Ano	Ano	Ano
Rozměry (H/Š/V v mm)	455/499/830	455/499/830	455/499/830

Vysvětlení:

1) Na základě výsledků standardní zkoušky za 24 hodin. Skutečná spotřeba energie závisí na aktuálním prostředí, množství láhví, nastavené teplotě, otvírání a zavírání dvířek atd.

2) Jmenovitá spotřeba energie je hodnota získaná podle standardního testu, kdy se ve vinotéce nerozsvítí vnitřní osvětlení a vzduchový cyklus.

- subnormální: „tento chladicí spotřebič je určen k používání při teplotách okolí v rozsahu od 10 °C do 32 °C“;
- normální: „tento chladicí spotřebič je určen k používání při teplotách okolí v rozsahu od 16 °C do 32 °C“;
- subtropická: „tento chladicí spotřebič je určen k používání při teplotách okolí v rozsahu od 16 °C do 38 °C“;
- tropická: „tento chladicí spotřebič je určen k používání při teplotách okolí v rozsahu od 16 °C do 43 °C“;

Normy a směrnice

Tento výrobek splňuje požadavky všech platných směrnic ES s odpovídajícími harmonizovanými normami, které stanoví používání označení CE.

Doporučujeme využívat zákaznický servis společnosti Haier a používat originální náhradní díly. V případě nějakého problému se spotřebičem si nejprve přečtete část ŘEŠENÍ PROBLÉMŮ.

Pokud v ní nenajdete řešení, kontaktujte

- ▶ místního prodejce nebo
- ▶ navštivte část Servis a podpora na stránkách www.haier.com, kde najdete telefonní čísla a časté otázky týkající se aktivace požadavku na servis.

Chcete-li kontaktovat náš servis, ujistěte se, že máte k dispozici následující údaje.

Tyto údaje lze najít na typovém štítku.

Model _____ Sériové č. _____

V případě záruky se také podívejte do záručního listu dodaného s výrobkem.

Se všeobecnými dotazy obchodní povahy se v Evropě obračejte na následující adresy:

Evropské adresy společnosti Haier

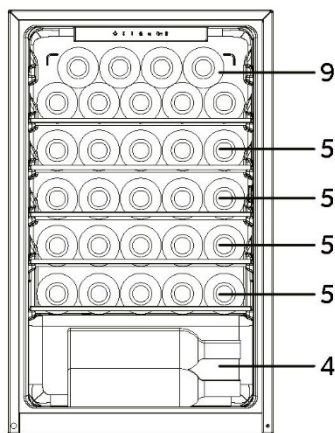
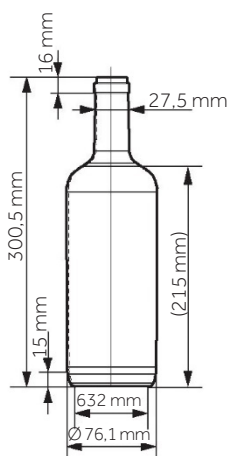
Země*	Poštovní adresa	Země	Poštovní adresa
Itálie	Haier Europe Trading SRL Via De Cristoforis, 12 21100 Varese ITÁLIE	Francie	Haier Europe Trading SRL Via De Cristoforis, 12 21100 Varese ITÁLIE
Španělsko Portugalsko	Haier Iberia SL Pg. Pg. Garcia Faria, 49-51 08019 Barcelona ŠPANĚLSKO	Belgie-FR Belgie-NL Nizozemsko Lucembursko	Haier Benelux SA Anderlecht Route de Lennik 451 BELGIE
Německo Rakousko	Haier Deutschland GmbH Hewlett-Packard-Str. 4 D-61352 Bad Homburg NĚMECKO	Polsko Česká republika Maďarsko Řecko	Haier Poland Sp. zo.o. Al. Jerozolimskie 181B 02-222 Warszawa POLSKO
Spojené království	Haier Appliances UK Co. Ltd. One Crown Square Church Street East Woking, Surrey, GU21 6HR UK	Rumunsko Rusko	

DOSTUPNOST NÁHRADNÍCH DÍLŮ: Termostaty, snímače teploty, desky s plošnými spoji a světelné zdroje budou k dispozici po dobu nejméně sedmi let od uvedení posledního modelu spotřebiče na trh.

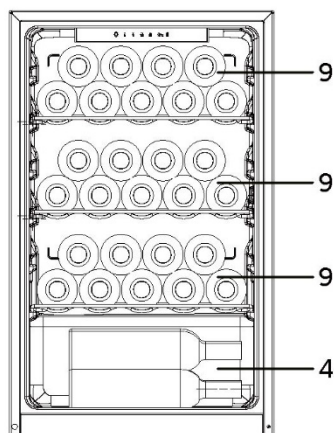
Madla dvířek, závěsy dvířek, příhrádky a koše budou k dispozici po dobu nejméně sedmi let a těsnění dvířek po dobu nejméně deseti let od uvedení posledního modelu spotřebiče na trh

Minimální záruka: 2 roky pro země EU, 3 roky pro Turecko, 1 rok pro Spojené království, 1 rok pro Rusko, 3 roky pro Švédsko, 2 roky pro Srbsko, 5 let pro Norsko, 1 rok pro Maroko, 6 měsíců pro Alžírsko, Tunisko nevyžaduje žádnou zákonnou záruku.

Chcete-li další informace o výrobku, navštivte stránky <https://eprel.ec.europa.eu/> nebo naskenujte kód QR na energetickém štítku dodaném se spotřebičem.



HWS33GG
HWS33GGFR
(kapacita 33 lahví)



HWS31GGE
(kapacita 31 lahví)



Príručka používateľa

Vinotéka

HWS33GG
HWS31GGE
HWS33GGFR

SK

Haier

Ďakujeme za zakúpenie produktu Haier.

Pred použitím tohto spotrebiča si pozorne prečítajte tieto pokyny. Pokyny obsahujú dôležité informácie, ktoré vám pomôžu vyťažiť zo spotrebiča maximum a zaistia bezpečnú a správnu inštaláciu, používanie a údržbu.

Túto príručku uschovajte na vhodnom mieste, aby ste si mohli kedykoľvek prečítať pokyny na bezpečné a správne používanie spotrebiča.

Ak spotrebič predávate, darujete alebo ho nechávate v domácnosti po odsťahovaní, nezabudnite s ním novému vlastníkovi odovzdať aj túto príručku, aby sa mohol oboznámiť so spotrebičom a bezpečnostnými upozorneniami.



Vysvetlivky



Varovanie – Dôležité bezpečnostné informácie

Všeobecné informácie a tipy



Informácie o životnom prostredí



Likvidácia

Pomáhajte chrániť životné prostredie a zdravie ľudí. Obal vyhodte do vhodných nádob na recykláciu. Pomáhajte recyklovať odpad z elektrických a elektronických prístrojov. Zariadenia označené týmto symbolom nelikvidujte s domácim odpadom. Výrobok odneste do miestneho recyklačného strediska alebo kontaktujte mestský úrad.



VAROVANIE!

Nebezpečenstvo poranenia alebo zadusenía!

Chladivá a plyny sa musia likvidovať profesionálnym spôsobom. Pred správnu likvidáciu sa uistite, že nie je poškodená hadica okruhu chladiva. Spotrebič odpojte od elektrickej siete. Odrežte a zlikvidujte napájací kábel. Odstráňte

podnosy a zásuvky, ako aj západku a tesnenie dverí, aby ste zabránili zatvoreniu detí a domácich zvierat vnútri spotrebiča.

Staré spotrebiče majú ešte stále určitú zostatkovú hodnotu. Ekologický spôsob likvidácie zabezpečí opätovné zhodnotenie cenných surovín a ich opätovné použitie.

Ako expandér izolačnej peny sa používa cyklopentán. Je to horľavá látka, ktorá nie je škodlivá pre ozón.

Zabezpečením správnej likvidácie tohto výrobku pomôžete zabrániť možným negatívnym vplyvom na životné prostredie a ľudské zdravie, ku ktorým by v opačnom prípade mohlo dôjsť.

Podrobnejšie informácie o recyklácii tohto výrobku získate na príslušnom miestnom úrade, v zberných surovinách alebo v predajni, kde ste si výrobok zakúpili.

1 - Bezpečnostné informácie	4
2 - Bezpečnostné rady	7
3 - Údržba	11
4 - Príslušenstvo	13
5 - Opis produktu	14
6 - Inštalácia	15
7 - Použitie	17
8 - Tipy na úsporu energie	18
9 - Vybavenie	19
10 - Starostlivosť a čistenie	20
11 - Riešenie problémov	21
12 - Technické údaje	25
13 - Zákaznícky servis	26
14 - Nakladanie vínnych fliaš	27

Tento spotrebič je určený výhradne na uskladnenie vína. Pred prvým zapnutím spotrebiča si prečítajte nasledujúce bezpečnostné pokyny:



VAROVANIE!

Pred prvým použitím

- ▶ Uistite sa, že sa spotrebič pri preprave nepoškodil.
- ▶ Odstráňte všetky obaly a odložte ich mimo dosahu detí. Zneškodnite ich ekologicky.
- ▶ Pred inštaláciou spotrebiča počkajte najmenej dve hodiny, aby sa zabezpečila plná účinnosť chladiaceho okruhu.
- ▶ Spotrebič musia prenášať minimálne dve osoby, pretože je ťažký.

Inštalácia

- ▶ Spotrebič musí byť umiestnený na dobre vetranom mieste. Nad spotrebičom a v jeho okolí musíte zabezpečiť minimálne 10 cm priestor.
- ▶ **VAROVANIE:** Dávajte pozor, aby nedošlo k blokovaniu vetracích otvorov v kryte zariadenia alebo v zabudovanej konštrukcii.
- ▶ Spotrebič nikdy neumiestňujte na vlhké miesto ani na miesto, kde by mohla striekať voda. Postriekania vodou a škrvny vyčistite a osušte mäkkou čistou handričkou.
- ▶ Vinotéku neinštalujte na žiadnom mieste, ktoré nie je riadne izolované alebo vykurované (napr. v garáži a pod.). Vaša vinotéka nebola navrhnutá, aby fungovala pri teplote okolia nižšej ako 16 °C.
- ▶ Spotrebič neinštalujte na priame slnečné svetlo ani do blízkosti zdrojov tepla (napr. kachle, ohrievače).
- ▶ Spotrebič nainštalujte a vyrovnajte na mieste, ktoré je vhodné svojou veľkosťou a využitím.
- ▶ Uistite sa, že elektrické údaje na typovom štítku sa zhodujú s údajmi pre vašu sieť. V opačnom prípade kontaktujte elektrikára.
- ▶ Spotrebič funguje pri napätí 220 – 240 V/50 Hz napájania. Abnormálne kolísanie napätia môže spôsobiť, že sa spotrebič nezapne, poškodí sa regulátor teploty alebo kompresor alebo sa môže pri prevádzke vyskytnúť neobvyklý hluk. V takom prípade musíte namontovať automatický regulátor.
- ▶ Nepoužívajte adaptéry s viacerými zásuvkami ani predlžovacie káble.

**VAROVANIE!**

- ▶ **VAROVANIE:** Na zadnú stranu spotrebiča neumiestňujte viacnásobné prenosné zásuvky ani prenosné napájacie káble.
- ▶ **VAROVANIE:** Pri umiestnení spotrebiča zabezpečte, aby sa napájací kábel nezachytil ani nepoškodil.
- ▶ Na napájací kábel nestúpajte.
- ▶ Použite samostatnú uzemnenú zásuvku, aby k nej bol zabezpečený jednoduchý prístup. Spotrebič musí byť uzemnený.
- ▶ Len pre Spojené kráľovstvo: Napájací kábel spotrebiča je vybavený 3-vodičovou (uzemňovacou) zástrčkou, ktorá sa vsúva do štandardnej 3-vodičovej (uzemnenej) zásuvky. Tretí kolík (uzemnenie) nikdy neodrezávajte ani neodstraňujte. Po inštalácii zariadenia musí byť zástrčka prístupná.
- ▶ **VAROVANIE:** Nepoškodte chladiaci okruh.

Každodenné použitie

- ▶ Deti staršie ako 8 rokov a osoby s obmedzenými fyzickými, zmyslovými alebo duševnými schopnosťami alebo nedostatkom skúseností či vedomostí môžu tento spotrebič používať pod dohľadom, resp. po poučení a oboznámení sa s bezpečným spôsobom používania a porozumení možným nebezpečenstvám.
- ▶ Deti sa so spotrebičom nesmú hrať.
- ▶ Deti vo veku od 3 do 8 rokov môžu do chladiacich spotrebičov nakladať a vykladať potraviny, nesmú ich však čistiť ani inštalovať.
- ▶ Deťom do 3 rokov nedovoľte, aby sa priblížili ku spotrebiču, pokiaľ nie sú pod neustálym dohľadom.
- ▶ Čistenie a údržbu nesmú vykonávať deti bez dozoru.
- ▶ Zariadenie musí byť umiestnené tak, aby bola zástrčka prístupná.
- ▶ Ak v blízkosti spotrebiča uniká uhoľný plyn alebo iný horľavý plyn, vypnite ventil unikajúceho plynu, otvorte dvere a okná a neodpájajte napájací kábel spotrebiča.
- ▶ Po odpojení napájania počkajte najmenej 7 minút, kým ho znova pripojíte.
- ▶ Zariadenie nezdvíhajte za rukoväť dverí.



VAROVANIE!

- ▶ Všimnite si, že spotrebič je nastavený na prevádzku v špecifickom klimatickom pásme 16 až 38 °C. Spotrebič možno nebude fungovať správne, ak sa ponechá dlho v prostredí s teplotou, ktorá je vyššia alebo nižšia než uvedený rozsah.
- ▶ Na zariadenie neumiestňujte nestabilné predmety (ťažké predmety, nádoby naplnené vodou), aby nedošlo k zraneniu osôb pádom alebo úrazu elektrickým prúdom po kontakte s vodou.
- ▶ Dvere otvárajte a zatvárajte iba pomocou rúkaví. Medzera medzi dverami a skrinkou je veľmi úzka. Do týchto priestorov nevkladajte ruky, aby nedošlo k pricviknutiu prstov. Dvere spotrebiča otvárajte alebo zatvárajte iba vtedy, ak v rozsahu pohybu dverí nestoja žiadne deti.
- ▶ V spotrebiči ani v jeho blízkosti neskladujte a nepoužívajte horľavé, výbušné alebo korozívne materiály.
- ▶ V tomto spotrebiči neskladujte výbušné látky ako sú plechovky s aerosólmi, ktoré podporujú horenie.
- ▶ V spotrebiči neskladujte lieky, baktérie ani chemické látky. Tento spotrebič je domáci spotrebič. Neodporúčame vám, aby ste v ňom skladovali materiály, ktoré vyžadujú presné teploty.
- ▶ V priehradke na víno nenastavujte zbytočne nízku teplotu. Pri vysokých nastaveniach sa môžu vyskytnúť mínusové teploty.
Pozor: Flaše môže roztrhnúť.
- ▶ Počas prevádzky sa nedotýkajte vnútorného povrchu priestoru spotrebiča, najmä nie mokrými rukami, pretože by vám mohli ruky primrznúť k povrchu.
- ▶ Správne ochladenie vína dosiahnete, ak nebudete spotrebič preťažovať.
- ▶ V prípade prerušenia napájania alebo pred čistením odpojte spotrebič zo zásuvky. Pred opätovným zapnutím spotrebiča počkajte najmenej 7 minút, pretože časté štartovanie môže poškodiť kompresor.
- ▶ **UPOZORNENIE:** sú typu odporúčaného výrobcom. Poškodený napájací kábel musia vymeniť v zákazníckom servise, aby sa zabránilo nebezpečenstvu (pozrite záručný list).
- ▶ Ak chcete predĺžiť životnosť spotrebiča, nevypínajte ho.
- ▶ Spotrebič nikdy neukladajte na podlahu v horizontálnej polohe. Po naklonení spotrebiča o viac ako 45° počkajte pred jeho pripojením 0,5 hodiny.

**VAROVANIE!****Údržba/čistenie**

- ▶ Keď čistenie a údržbu vykonávajú deti, nenechávajte ich bez dozoru.
- ▶ Pred vykonávaním akejkoľvek bežnej údržby odpojte spotrebič od elektrickej siete. Pred opätovným zapnutím spotrebiča počkajte najmenej 7 minút, pretože časté štartovanie môže poškodiť kompresor.
- ▶ Pri odpájaní spotrebiča chyťte zástrčku, nie kábel.
- ▶ Spotrebič nečistite tvrdými kefami, drôtenými kefami, čistiacim práškom, benzínom, amylacetátom, acetónom ani podobnými organickými roztokmi, kyselinami ani zásadami. Čistite pomocou špeciálneho čistiaceho prostriedku na chladničky/mrazničky, aby ste zabránili poškodeniu. Prípadne použite teplú vodu a roztok sódy bikarbóny – približne lyžicu sódy bikarbóny na liter vody. Dôkladne opláchnite vodou a utrite dosucha. Nepoužívajte čistiace prášky ani iné abrazívne čistiace prostriedky. Odnímateľné časti neumývajte v umývačke riadu.
- ▶ **VAROVANIE:** Na urýchlenie odmrazovania nepoužívajte mechanické nástroje ani iné prostriedky s výnimkou tých, ktoré odporúča výrobca.
- ▶ Ak je poškodený vonkajší napájací kábel, v záujme eliminácie akéhokoľvek rizika ho musí vymeniť výrobca, jeho servisný zástupca alebo rovnako kvalifikovaná osoba.
- ▶ Spotrebič sa nepokúšajte sami opravovať, rozoberať alebo upravovať. V prípade opravy kontaktujte náš zákaznícky servis.
- ▶ Ak sú poškodené žiarovky, v záujme eliminácie akéhokoľvek rizika ich musí vymeniť výrobca, jeho servisný zástupca alebo rovnako kvalifikovaná osoba.
- ▶ Aspoň raz za rok odstráňte prach zo zadnej strany jednotky, aby ste predišli nebezpečenstvu požiaru a zvýšenej spotrebe energie.

- ▶ Počas čistenia na spotrebič nestriekajte ani ho nepreplachujte.
- ▶ Na čistenie spotrebiča nepoužívajte prúd vody ani paru.
- ▶ Chladné sklenené dvere nečistite horúcou vodou. Náhla zmena teploty môže spôsobiť rozbitie skla.
- ▶ Ak spotrebič nebudete dlhšiu dobu používať, nechajte ho otvorený, aby sa vo vnútri nehromadil zápach a nepríjemné pachy.

Informácie o plyne chladiva



VAROVANIE!

Spotrebič obsahuje horľavé chladivo IZOBUTÁN (R600a). Uistite sa, že sa počas prepravy alebo inštalácie nepoškodil chladiaci okruh. Unikajúce chladivo môže spôsobiť poranenie očí alebo vznietenie. Ak došlo k poškodeniu, udržiajte zdroje otvoreného ohňa mimo, dôkladne vyvetrajte miestnosť a nepripájajte ani neodpájajte napájacie káble spotrebiča alebo akéhokoľvek iného zariadenia. Informujte zákaznícky servis.

V prípade kontaktu očí s chladivom, okamžite vypláchnite oči pod tečúcou vodou a okamžite kontaktujte očného lekára.

VAROVANIE: Chladiaci systém je pod vysokým tlakom. Nemanipulujte s ním. Vzhľadom na použitie horľavých chladív spotrebič nainštalujte, manipulujte s ním a opravujte ho výhradne podľa pokynov. Informácie o likvidácii spotrebiča vám poskytne profesionálny zástupca alebo náš popredajný servis.

Určené použitie


Tento spotrebič je určený na používanie v domácnostiach a podobných aplikáciách, ako

- kuchynské priestory pre personál v obchodoch, úradoch a iných pracovných prostrediach;
 - farmy a pre zákazníkov v hoteloch, motelloch a ďalších prostrediach rezidenčného typu,
 - prostredie typu prenocovania s raňajkami,
 - stravovacie služby a podobné, iné ako maloobchodné, priestory.
- S cieľom zaistiť bezpečné uchovávanie vína dodržujte tento návod na použitie.
- Podrobnosti o najvhodnejšej časti v priehradke spotrebiča, kde sa majú skladovať určité druhy potravín, s ohľadom na rozloženie teploty, ktorá môže byť prítomná v rôznych priehradkách spotrebiča, sú uvedené v druhej časti príručky.

Zmeny alebo úpravy spotrebiča nie sú povolené. Neúmyselné použitie môže spôsobiť nebezpečenstvo a stratu nárokov na záruku.

Likvidácia



Symbol  na výrobku alebo jeho balení označuje, že sa s ním nesmie zaobchádzať ako s komunálnym odpadom. Namiesto toho treba spotrebič odovzdať na príslušnom zbernom mieste na recykláciu elektrických a elektronických zariadení. Zabezpečením správnej likvidácie tohto výrobku pomôžete zabrániť možným negatívnym vplyvom na životné prostredie a ľudské zdravie, ktoré by inak mohli byť spôsobené nevhodným postupom pri jeho likvidácii. Podrobnejšie informácie o recyklácii tohto výrobku získate na príslušnom miestnom úrade, v zberných surovinách alebo v predajni, kde ste si výrobok zakúpili..

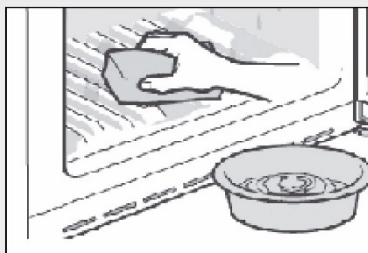
Vzhľadom na použitie horľavých plynov dajte spotrebič zlikvidovať profesionálnemu zástupcovi alebo v našom popredajnom servise.

VAROVANIE!

Nebezpečenstvo zadusení!

Chladivá a plyny sa musia likvidovať profesionálnym spôsobom. Pred správnu likvidáciou sa uistite, že nie je poškodená hadica okruhu chladiva. Spotrebič odpojte od elektrickej siete. Odrežte a zlikvidujte napájací kábel. Vyberte podnosy a zásuvky, ako aj západku a tesnenie dverí, aby ste zabránili zatvoreniu detí a domácich miláčikov vo vnútri zariadenia.

- ▶ **VAROVANIE:** Spotrebič pred čistením odpojte od elektrickej siete.
- ▶ Spotrebič nečistite tvrdými kefami, drôtenými kefami, čistiacim práškom, benzínom, amylacetátom, acetónom ani podobnými organickými roztokmi, kyselinami ani zásadami. Čistite pomocou špeciálneho čistiaceho prostriedku na chladničky, aby ste zabránili poškodeniu.
- ▶ Spotrebič čistite len v prípade, že je uskladnené malé množstvo vína alebo žiadne víno. Čistenie sa vyžaduje, len ak je spotrebič znečistený.
- ▶ Vnútro a skrinku spotrebiča čistite špongiou navlhčenou v teplej vode s prídavkom neutrálneho čistiaceho prostriedku
- ▶ Opláchnite čistou teplou vodou a osušte suchou handričkou.
- ▶ Žiadne časti spotrebiča neumývajte v umývačke riadu.
- ▶ Pred opätovným zapnutím spotrebiča počkajte najmenej 7 minút, pretože časté spúšťanie môže poškodiť kompresor.



Čistenie tesnenia dverí:

- ▶ Tesnenia dverí by sa mali vyčistiť, aby sa zabezpečilo správne utesnenie. Ako je uvedené nižšie: Odstráňte: Uchopte tesnenie dverí a vytiahnite ho v smere šípky, aby ste postupne vybrali celé tesnenie dverí.

Kefu namočte do vody alebo do liehu.

Najskôr vyčistíte drážku tesnenia dverí potažovaním kefy tam a späť. Potom utrite povrch tesnenia dverí utierkou namočenou vo vode alebo v bežnom alkohole.

Nakoniec umyte tesnenie dverí a utrite ho dosucha čistou utierkou.



Inštalácia tesnenia dverí po vyčistení:

Pred inštaláciou sa uistite, či na tesnení dverí nie je voda. Vložte tesnenie dverí do drážky a rukou ho pevne utlačajte zhora nadol, kým celé tesnenie dverí nezasuniete do drážky.

Čistenie poličiek:

Všetky poličky sa dajú vybrať a vyčistiť.

Vyberte všetky fl'aše.

Každú poličku trochu nadvihnite a vyberte.

Poličku vyčistite mäkkou handričkou.

Pred opätovným vložením počkajte, kým poličky neuschnú.

Skontrolujte príslušenstvo a literatúru v súlade s týmto zoznamom:
bez izolácie.

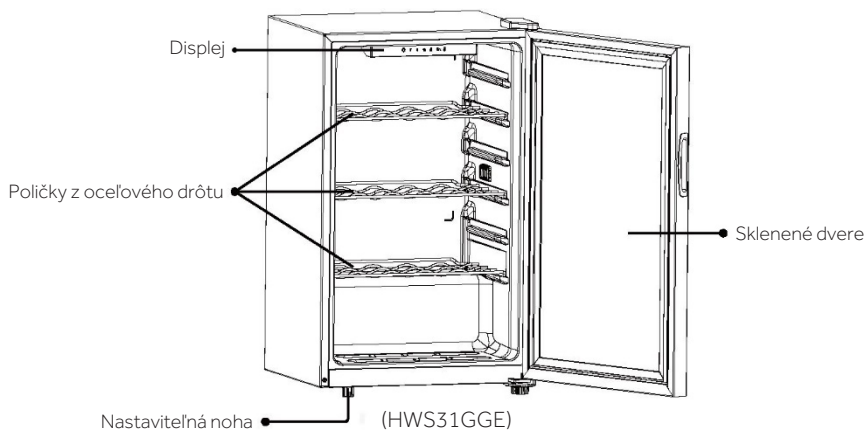
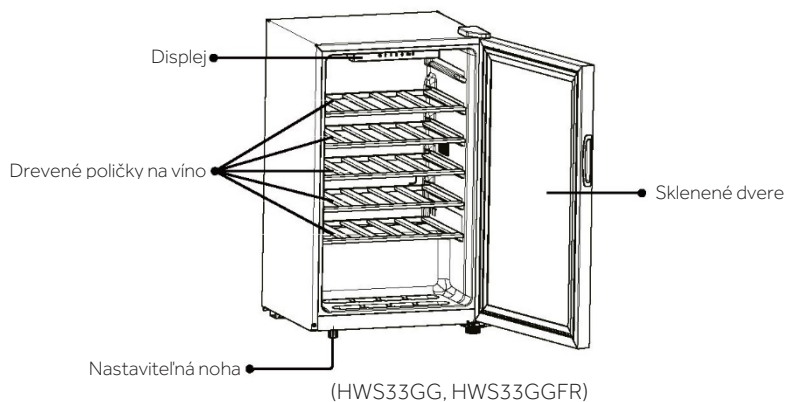
Množstvo / Názov / Režim produktu	Návod na použitie	Informačná sada	Drevené poličky na víno	Poličky z ocelového drôtu
HWS33GG	1	1	5	0
HWS31GGE	1	1	0	3
HWS33GGFR	1	1	5	0



Upozornenie

Z dôvodu technických zmien a rôznych modelov sa môžu niektoré ilustrácie v tejto príručke líšiť od vášho modelu.

Obrázok spotrebiča



Tento výrobok obsahuje svetelný zdroj triedy energetickej účinnosti G.

1. Vybalenie

- ▶ Spotrebič vybalte,
- ▶ Odstráňte všetok obalový materiál vrátane penovej základne a všetkej lepiacej pásky, ktorá drží príslušenstvo.

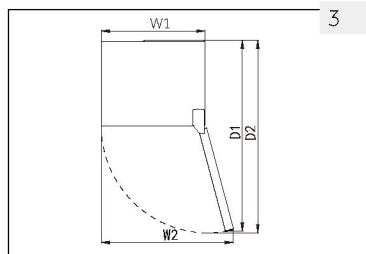
2. Podmienky prostredia

Teplota v miestnosti by mala byť vždy v rozsahu 16 °C až 38 °C, pretože môže ovplyvniť teplotu vnútri spotrebiča a jeho spotrebu energie. Neinštalujte spotrebič v blízkosti iných tepelných spotrebičov (rúry, chladničky) bez izolácie.

3. Požiadavky na priestor

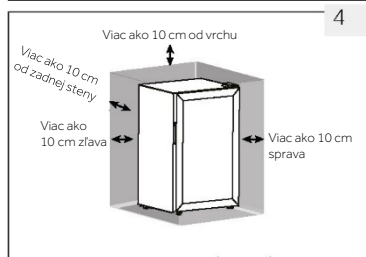
Potrebný priestor na otvorenie dverí (obr. 3):

Šírka v mm		Hĺbka v mm	
W1	W2	D1	D2
499	633	905	919



4. Priestor na vetranie

Z bezpečnostných a energetických dôvodov je potrebné dodržať požadovanú ventilačnú vzdialenosť 10 cm vo všetkých smeroch (obr. 4).



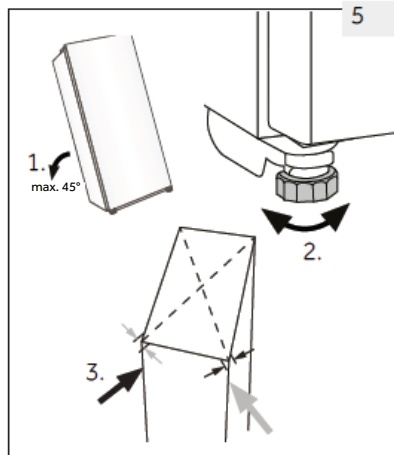
VAROVANIE!

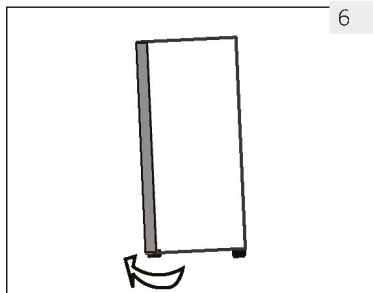
- ▶ Udržujte vetracie otvory na spotrebiči alebo v štruktúre na zabudovanie bez prekážok. Tento chladiaci spotrebič nie je určený na použitie ako zabudovaný spotrebič.

5. Vyrovnanie spotrebiča

Spotrebič musí byť umiestnený na rovnom a pevnom povrchu.

1. Spotrebič nakloňte mierne dozadu (obr. 5).
2. Nastaviteľné predné nožičky nastavte na požadovanú úroveň otáčaním.
3. Stabilitu môžete kontrolovať striedavým poklepaním uhlopriečne. Mierne kývanie by malo byť rovnaké v oboch smeroch. V opačnom prípade sa môže zdeformovať rám, následkom čoho budú možné netesnosti na dverách. Mierne naklonenie spotrebiča dozadu uľahčuje zatváranie dverí.





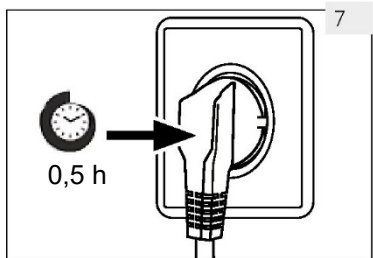
6

6. Jemné doladenie dverí

Spotrebič sa zatvára ľahšie, ak použijete vyrovnávacie nožičky vpredu:

Nastavitelné nožičky (obr. 6) otáčaním nastavte nahor alebo nadol:

- ▶ Otáčaním nožičiek v smere hodinových ručičiek sa spotrebič zdvihne.
- ▶ Otáčaním nožičiek proti smeru hodinových ručičiek sa zariadenie zníži.



7

7. Čakacia doba

Bezúdržbový mazací olej sa nachádza v puzdre kompresora. Ak je spotrebič naklonený, tento olej sa môže počas prepravy dostať do uzatvoreného systému rúrok. Pred pripojením spotrebiča ku zdroju napájania počkajte 0,5 hodiny (obr. 7), aby olej stiekol späť do puzdra.

8. Elektrické zapojenie

Pred každým pripojením skontrolujte, či:

- ▶ napájanie, zásuvka a istenie zodpovedajú typovému štítku.
- ▶ je sieťová zásuvka uzemnená a nie je pripojený žiadny adaptér s viacerými zásuvkami ani predĺžovací kábel.
- ▶ sú zástrčka a zásuvka správne zapojené.

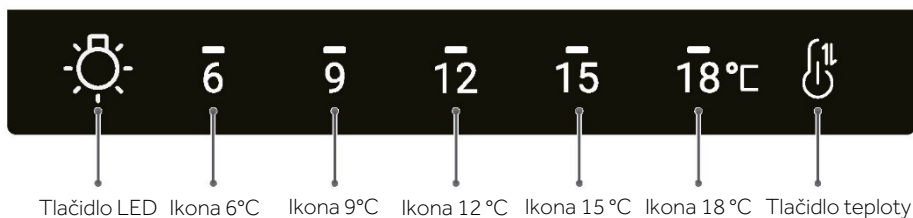
Zástrčku pripojte k správne nainštalovanej domácej zásuvke.



VAROVANIE!

Poškodený napájací kábel musia vymeniť v zákaznickom servise, aby sa zabránilo nebezpečenstvu (pozrite záručný list).

Ovládací panel



Teplotný rozsah displeja panela je 6-18 °C

Predvolená teplota nastavenia je 12 °C

Teplotu môžete nastaviť podľa svojich požiadaviek na skladovanie vína.

1. Úpravy teploty

Stlačením tlačidla „Temperature“ (Teplota) sa rozsvieti horná ikona aktuálnej nastavenej úrovne teploty. Znovu stlačte tlačidlo „Temperature“ (Teplota) a nastavte teplotu o jeden krok nahor, celkovo je k dispozícii 5 krokov. Ak budete v úprave pokračovať aj po dosiahnutí 18 °C, zobrazí sa 6 °C, cyklus sa bude opakovať. Ak je zvolený požadovaný prevodový stupeň a prevádzka sa zastaví na 5 sekúnd, systém automaticky predvolene nastavi aktuálne parametre.

2. Vnútorne svetlo

Jedným stlačením tlačidla „Lighting“ (Osvetlenie) sa rozsvieti svetlo v skrinke; opätovne stlačte tlačidlo „Lighting“ (Osvetlenie) a svetlá v skrinke zhasnú, cyklus sa bude opakovať.

3. Funkcia pamäte po vypnutí

Nastavenie teploty skrinky sa uloží do pamäti. Po opätovnom zapojení napájania sa obnovia prednastavenia.



Tipy na úsporu energie

- ▶ Uistite sa, že je spotrebič správne vetraný (pozrite časť INŠTALÁCIA).
- ▶ Spotrebič neinštalujte na priame slnečné svetlo ani do blízkosti zdrojov tepla (napr. kachle, ohrievače).
- ▶ Zabráňte zbytočne nízkej teplote v spotrebiči. Čím je nižšia nastavená teplota v spotrebiči, tým vyššia bude spotreba energie.
- ▶ Dvere spotrebiča otvárajte čo najmenej a na čo najkratšie.
- ▶ Neprekračujte určené množstvo fliaš, aby ste nebránili prúdeniu vzduchu.
- ▶ Tesnenia dverí udržiavajte čisté, aby boli dvere vždy správne zatvorené.
- ▶ Konfigurácia s najvyššou úsporou energie vyžaduje, aby boli poličky umiestnené v spotrebiči na mieste, v akom boli dodané z výroby a aby boli fľaše vína umiestnené bez blokovania výstupu vzduchu z potrubia.

1. Polička

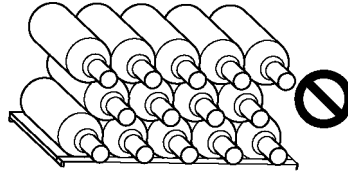
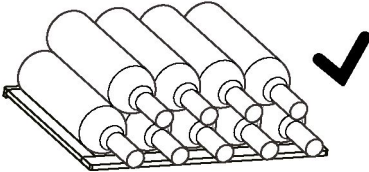
1. Poličky sú navrhnuté pre jednoduché skladovanie a vyberanie vína zo spotrebiča. Môžete ich čistiť mäkkou handričkou.
2. Bežné fľaše s priemerom 76 mm sa dajú stohovať.
3. Fľaše s objemom jeden a pol litra môžete naukladať na dno.
4. Množstvo sa môže líšiť od zobrazeného počtu alebo fliaš, ak sú fľaše naukladané iným spôsobom.

Bezpečnostné opatrenia pri používaní vinotéky



Neumiestňujte do vinotéky príliš veľa vína, aby ste neprekročili nosnosť jej poličiek. Na každú poličku neumiestňujte viac ako tri vrstvy vína.

Počet vínových fliaš nemá presiahnuť tri vrstvy na každej poličke, pričom nosnosť poličiek na víno nesmie presiahnuť 15 kg.

Pred umiestnením fliaš do vinotéky skontrolujte, či sú poličky na víno plne stabilné. Okrem toho skontrolujte, či niektorá fľaša nevyčnieva z poličiek, aby sa zabránilo narazeniu fliaš do sklenených dverí pri ich zatvorení.



2. Osvetlenie

Kým sú dvere otvorené, stlačením tlačidla osvetlenia  sa zapne svetlo; opätovným stlačením tlačidla osvetlenia  sa svetlo vypne.

3. Automatické odmrazovanie

Tento spotrebič má funkciu automatického odmrazovania. Počas používania sa uistite, že odtokový otvor je odblokovaný tak, aby rozmrazená voda mohla odtekať voľne cez odtokový otvor do záchytnej nádoby vnútri skrine vinotéky.

Záchytné nádoby na dne priehradiek pravidelne čistite. Použite suchú handričku na zachytenie vody vnútri nádobiek na vodu a poutierajte ich (odporúča sa čistiť ich každé tri mesiace).

1. Odmrazovanie

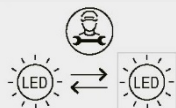
Odmrazovanie vinotéky sa vykonáva automaticky; nie je potrebná žiadna manuálna činnosť.

2. Výmena LED žiarovky

Osvetlenie využíva ako zdroj svetla LED, ktoré sa vyznačujú nízkou spotrebou energie a dlhou životnosťou. Ak sa vyskytnú nejaké abnormality, kontaktujte zákaznícky servis. Pozrite časť ZÁKAZNÍCKY SERVIS.



VAROVANIE!



LED žiarovku nevymieňajte sami. Výmenu musí vykonať iba výrobca alebo autorizovaný servisný zástupca.

Parametre LED žiarovky:

Napätie 12 V: Maximálny výkon: 2 W

3. Dlhodobé nepoužívanie

Odpojte napájací kábel.

Vyčistite spotrebič a tesnenie dverí podľa vyššie uvedeného popisu.

Dvere nechajte otvorené, aby sa vo vnútri nevytvárali nepríjemné pachy.

4. Premiestňovanie spotrebiča

1. Vyberte všetky fľaše a odpojte spotrebič zo zásuvky elektrickej siete.

2. Police a ďalšie pohyblivé diely vo vinotéke zaistite lepiacou páskou.

3. Vinotéku nenakláňajte o viac ako 45°, aby ste predišli poškodeniu chladiaceho systému.

Mnoho vyskytujúcich sa problémov môžete vyriešiť sami bez osobitných odborných znalostí. V prípade problému skontrolujte všetky zobrazené možnosti a pred kontaktovaním popredajného servisu postupujte podľa nasledujúcich pokynov. Pozrite časť ZÁKAZNÍCKY SERVIS.



VAROVANIE!

- ▶ Pred údržbou spotrebič vypnite a vytiahnite zástrčku zo zásuvky.
- ▶ Údržbu elektrického zariadenia môže vykonávať iba kvalifikovaný elektrikár, pretože neodborné opravy môžu spôsobiť značné následné škody.
- ▶ Poškodený prívod môže v záujme eliminácie akéhokoľvek rizika vymeniť len výrobca, jeho servisný zástupca alebo rovnako kvalifikovaná osoba.

Kód chyby	Príčina	Riešenie
Bliká ikona „9“	Porucha snímača chladenia.	Zavolajte popredajný servisný telefón.
Bliká ikona „12“	Kryogénny alarm snímača chladenia.	Zavolajte popredajný servisný telefón.

Problém	Možná príčina	Možné riešenie
Námraza na vnútornej zadnej stene?	<ul style="list-style-type: none"> Chladiace rúrky sú naprojektované na zadnej strane vnútorného obloženia vinotéky. 	<ul style="list-style-type: none"> Je to normálny jav. Skrinka automaticky zamrzne bez toho, že by to ovplyvnilo bežné používanie.
Príliš veľa hluku?	<ul style="list-style-type: none"> Nestabilné umiestnenie. 	<ul style="list-style-type: none"> Upravte nastaviteľnú spodnú pätku tak, aby bola skrinka stabilná. Uistite sa, že sa skrinka nedotýka iných predmetov alebo stien.
Zvuk kvapaliny prúdiacej v skrinke?	<ul style="list-style-type: none"> Zvuk prúdenia chladiva v cirkulačnom potrubí chladiaceho systému. 	<ul style="list-style-type: none"> Je to normálny jav.
Vinotéka nefunguje?	<ul style="list-style-type: none"> Pripojenie zástrčky vinotéky v elektrickej zásuvke. Ochranný režim kompresora. 	<ul style="list-style-type: none"> Uistite sa, že zástrčka vinotéky je správne pripojená do elektrickej zásuvky. Napájacia zásuvka je pod napätím. Neporušená poistka v domácnosti. Kompresor má ochranný režim s intervalom 7 minút.
Prečo sú na oboch bokoch skrinky mierne zvlnenia?	<ul style="list-style-type: none"> Fenomén expanzie a kontrakcie spôsobené teplom. 	<ul style="list-style-type: none"> Je to normálny jav. Účelom je zabezpečiť dobrý odvod tepla a vysokú funkčnú účinnosť vinotéky.
Telo dverí nie je pevne uzavreté, únik vzduchu?	<ul style="list-style-type: none"> Po určitom čase používania výrobku sa môže ľahko stať, že tesnenie dverí stvrdne a zdeformuje sa v dôsledku nižšej teploty v skrinke. 	<ul style="list-style-type: none"> Deformovanú oblasť zohrejte horúcim vzduchom z fénu alebo zakryte zdeformovanú oblasť horúcim uterákom. Keď tesnenie dverí zmäkne, dvere tesne zatvorte.
Kompresor ostáva zapnutý dlho?	<ul style="list-style-type: none"> Neostali dvere skrinky nedostatočne zatvorené alebo ste ich otvárali príliš často? Vložili ste do vnútra príliš veľa nápojov naraz. Je skrinka nastavená na príliš nízku teplotu? 	<ul style="list-style-type: none"> Dvere pevne zatvorte alebo neotvárajte ich často. Nedávajte do vnútra naraz príliš veľa nápojov a medzi nápojmi nechajte medzeru. Nastavenie skrinky je možné vhodne upraviť.

Problém	Možná príčina	Možné riešenie
Keď je vinotéka v prevádzke, počuť „klikanie“?	<ul style="list-style-type: none"> Vzhľadom na zmeny teploty, rôzne materiály v dôsledku tepelnej rozťažnosti a kontrakcie. Počas používania relé a iné elektrické komponenty klikajú. 	<ul style="list-style-type: none"> Je to normálny jav.
Vinotéka sa nedokáže dobre vychladiť?	<ul style="list-style-type: none"> Nastavenie teploty je príliš vysoké. Spotrebič je vystavený priamemu slnečnému svetlu alebo zdrojom tepla v jeho blízkosti. Vo vinotéke sú teplé nápoje. Vinotéka je preplnená nápojmi. Dvere vinotéky sa často otvárajú alebo zatvárajú. 	<ul style="list-style-type: none"> Nastavenie nižšej teploty. Vyhýbajte sa priamemu slnečnému žiareniu a chráňte pred zdrojmi tepla. Nápoje by sa nemali prehrievať. Nemali by ste vkladať naraz veľa nápojov. Dvere pevne zatvorte alebo ich neotvárajte často.
Je vo vinotéke zvláštny zápach?	<ul style="list-style-type: none"> V novej zakúpenej vinotéke cítiť penivý prostriedok alebo plast. 	<ul style="list-style-type: none"> Je to normálny jav a pach sa bude postupne vytrácať. Včas skontrolujte, či sa v skrinke nenachádzajú pokazené nápoje. Aromatické nápoje musia byť pevne zabalené do plastových vreciek. Vinotéku treba pravidelne čistiť.
Je na dverách vinotéky skondenzovaná voda?	<ul style="list-style-type: none"> Dvere sa otvárajú príliš často alebo ostávajú otvorené dlho. Skontrolujte, či je nastavenie teploty v skrinke príliš nízke. Vysoká teplota okolia a vlhkosť. 	<ul style="list-style-type: none"> Dvere pevne zatvorte alebo ich neotvárajte často. Teplota v skrinke by nemala byť nastavená príliš nízko. Osušte ho suchou handričkou.
Svetlo nie je jasné?	<ul style="list-style-type: none"> Je pripojené napájanie? Je poškodená žiarovka? 	<ul style="list-style-type: none"> Skontrolujte napájanie. Skontrolujte žiarovku.

Ak chcete kontaktovať technickú pomoc, navštívte našu webovú stránku:

<https://corporate.haier-europe.com/en/>

V sekcii „webová stránka“ vyberte značku svojho produktu a svoju krajinu. Stránka vás presmeruje na konkrétnu webovú stránku, kde nájdete telefónne číslo a formulár na kontaktovanie technickej pomoci.

Špecifikácie výrobku podľa nariadenia EÚ č. 2019/2016

Značka	Haier	Haier	Haier
Názov/identifikačný kód modelu	HWS33GG	HWS31GGE	HWS33GGFR
Menovitá kapacita fliaš	33	31	33
Kategória chladenia v domácnosti	I	I	I
Trieda energetickej účinnosti	G	G	G
Ročná spotreba energie (kWh/rok) ¹⁾	154	154	154
Skladovací objem (l)	93	93	93
Klimatická trieda: Tento spotrebič je určený na použitie pri teplote okolitého prostredia v rozsahu 16 °C až 38 °C.	ST	ST	ST
Emisie akustického hluku prenášaného vzduchom (db(A) re 1pW)	C(37)	C(37)	C(37)
Typ spotrebiča	Voľne stojaci	Voľne stojaci	Voľne stojaci
Tento spotrebič je určený výhradne na uskladnenie vína.	Áno	Áno	Áno
Rozmery (H/Š/V v mm)	455/499/830	455/499/830	455/499/830

Vysvetlenie:

1) Na základe výsledkov štandardného testovania po dobu 24 hodín. Skutočná spotreba energie závisí od skutočného prostredia, množstva naložených fliaš, nastavenej teploty, otvárania a zatvárania dverí atď.

2) Menovitá spotreba energie je hodnota získaná podľa štandardného testovania, keď vinotéka nezapne vnútorné svetlo a cykly vzduchu.

- rozšírené mierne pásmo: „tento chladiaci spotrebič je určený na použitie pri teplotách okolia od 10 °C do 32 °C“;
- mierne pásmo: „tento chladiaci spotrebič je určený na použitie pri teplotách okolia od 16 °C do 32 °C“;
- subtropické pásmo: „tento chladiaci spotrebič je určený na použitie pri teplotách okolia od 16 °C do 38 °C“;
- tropické pásmo: „tento chladiaci spotrebič je určený na použitie pri teplotách okolia od 16 °C do 43 °C“;

Normy a smernice

Tento výrobok spĺňa požiadavky všetkých príslušných smerníc ES s príslušnými harmonizovanými normami, ktoré ustanovujú označenie CE.

Odporúčame vám náš zákaznícky servis Haier a použitie originálnych náhradných dielov.

Ak máte problém so svojím spotrebičom, najskôr si pozrite časť RIEŠENIE PROBLÉMOV.

Ak tam nenájdete riešenie, kontaktujte

- ▶ svojho miestneho predajcu alebo
- ▶ Servis a podporu na www.haier.com, kde nájdete telefónne čísla a najčastejšie otázky a kde môžete aktivovať uplatnenie servisu.

Ak chcete kontaktovať náš servis, uistite sa, že máte k dispozícii nasledujúce údaje.

Informácie nájdete na typovom štítku.

Model _____ Sériové č. _____

V prípade záruky skontrolujte aj záručný list dodaný s výrobkom.

Ak máte všeobecné obchodné otázky, obráťte sa na naše nasledovné adresy v Európe:

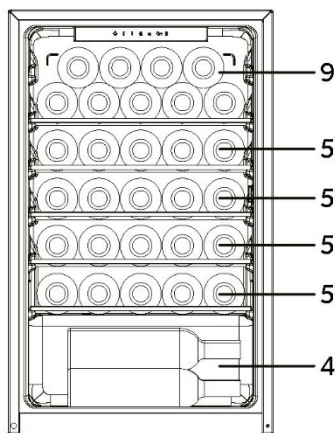
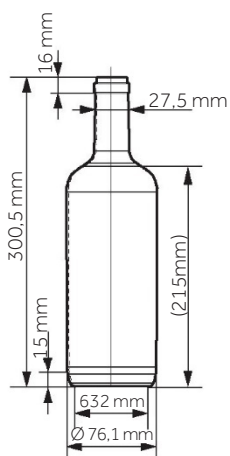
Európske adresy Haier

Krajina*	Poštová adresa	Krajina	Poštová adresa
Taliansko	Haier Europe Trading SRL Via De Cristoforis, 12 21100 Varese TALIANSKO	Francúzsko	Haier Europe Trading SRL Via De Cristoforis, 12 21100 Varese TALIANSKO
Španielsko Portugalsko	Haier Iberia SL Pg. Garcia Faria, 49-51 08019 Barcelona ŠPANIELSKO	Belgicko-FR Belgicko-NL Holandsko Luxembursko	Haier Benelux SA Anderlecht Route de Lennik 451 BELGICKO
Nemecko Rakúsko	Haier Deutschland GmbH Hewlett-Packard-Str. 4 D-61352 Bad Homburg NEMECKO	Poľsko Česko Maďarsko Grécko	Haier Poland Sp. zo.o. Al. Jerozolimskie 181B 02-222 Warszawa POLSKO
Spojené kráľovstvo	Haier Appliances UK Co. Ltd. One Crown Square Church Street East Woking, Surrey, GU21 6HR UK	Rumunsko Rusko	

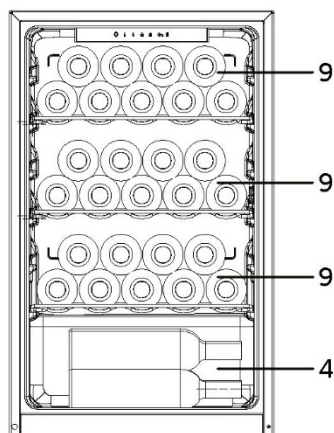
DOSTUPNOSŤ NÁHRADNÝCH DIELOV: Termostaty, snímače teploty, dosky plošných spojov a svetelné zdroje sú k dispozícii minimálne sedem rokov po uvedení poslednej jednotky modelu na trh. Kľučky, závesy dverí, podnosy a koše minimálne na obdobie siedmich rokov a tesnenia dverí na minimálne 10 rokov po uvedení poslednej jednotky modelu na trh.

Minimálna záruka je: 2 roky pre krajiny EÚ, 3 roky pre Turecko, 1 rok pre Spojené kráľovstvo, 1 rok pre Rusko, 3 roky pre Švédsko, 2 roky pre Srbsko, 5 rokov pre Nórsko, 1 rok pre Maroko, 6 mesiacov pre Alžírsko, Tunisko nevyžaduje žiadnu zákonnú záruku.

Ďalšie informácie o produkte nájdete na stránkach <https://eprel.ec.europa.eu/> alebo si oskenujte QR kód na štítku s údajmi o elektrickej spotrebe spotrebiča.



HWS33GG
HWS33GGFR
 (objem 33 fliaš)



HWS31GGE
 (objem 31 fliaš)

HWS33GG-HWS31GGE-HWS33GGFR

Haier