

Haier

HWS77GDAU1

HWS42GDAU1



Wine Cellar
User Guide

Weinkühler
Bedienungsanleitung

Cave à vin
Manuel d'Utilisation

Cantinetta per vini
Manuale utente

Bodega de vinos
Manual del Usuario

Chłodziarka do winnika
Podręcznik użytkownika

Cave de Vinho
Manual do Utilizador

Wijnkelder
Handleiding

Vinotéka
Návod na použitie

Vinný sklípek
Uživatelská příručka

EN

DE

FR

IT

ES

PL

PT

NL

SK

CZ

Safety information



EN WARNING: Risk of fire/flammable material. The symbol indicates there is a risk of fire since flammable materials are used. Take care to avoid causing a fire by igniting flammable material.

DE WARNUNG: Brandgefahr/ brennbares Material. Das Symbol weist auf Brandgefahr hin, da brennbare Materialien verwendet werden.

Verhindern Sie die Entstehung von Bränden, die durch entflammbare Materialien verursacht werden.

FR ATTENTION: Risque d'incendie ou de matières inflammables. Le symbole montre qu'il y'a le risque de matériaux inflammables sont utilisés. Prendre soin d'éviter de provoquer un incendie en ingérant des matières inflammables.

IT ATTENZIONE: Rischio di incendio/materiale infiammabile. Il simbolo indica il rischio di incendio nel caso di utilizzo di materiali infiammabili. Fare attenzione ed evitare l'insorgere di incendi a causa della combustione di materiali infiammabili.

ES ADVERTENCIA: Riesgo de incendio o material inflamable. El símbolo indica que existe riesgo de incendio, dado que se utilizan materiales inflamables. Se debe procurar evitar incendios mediante la combustión de materiales inflamables.

PT ADVERTÊNCIA: Risco de incêndio/material inflamável. O símbolo indica que existe um risco de incêndio uma vez que são usados materiais inflamáveis. Ter cuidado para evitar provocar um incêndio por acender material inflamável.

NL WAARSCHUWING: Brandrisico / brandbaar materiaal. Het systeem geeft aan dat er een brandrisico bestaat aangezien brandbaar materiaal wordt gebruikt. Zorg ervoor dat er geen brand wordt veroorzaakt door brandbaar materiaal te ontsteken.

PL OSTRZEŻENIE: Ryzyko pożaru/materiał łatwopalny. Symbol wskazuje, że istnieje ryzyko pożaru, ponieważ używane są materiały łatwopalne. Dbaj o to, aby uniknąć pożaru poprzez zapale nie łatwopalnego materiału.

CZ VAROVÁNÍ: Nebezpečí Požáru/ Hořlavého Materiálu. Symbol označuje riziko požáru, protože byly použity hořlavé materiály. Dbejte na to, aby nedošlo ke vzniku požáru zapálením hořlavého materiálu.

HU FIGYELEM: Tűz / gyúlékony anyag veszélye. A szimbólum azt jelzi, hogy tűzveszély áll fenn, mivel gyúlékony anyagokat használnak. Ügyeljen arra, hogy ne tegyen rá tűzveszélyes gyúlékony anyagot.

EL ΠΡΟΣΟΧΗ: Κίνδυνος φωτιάς/εύφλεκτο υλικό. Το σύμβολο υποδεικνύει ότι υπάρχει κίνδυνος φωτιάς επειδή χρησιμοποιούνται εύφλεκτα υλικά. Προσέχετε να αποφεύγετε την πρόκληση φωτιάς από ανάφλεξη εύφλεκτου υλικού.

BG ВНИМАНИЕ: Опасност от пожар / запалим материал. Символът показва, че има риск от пожар, тъй като се използват запалими материали. Внимавайте да не се предизвика пожар чрез попадане на запалим материал.

SK VÝSTRAHA: Nebezpečenstvo požiaru/ horľavý materiál. Symbol označuje nebezpečnosť požiaru, pretože sa používajú horľavé materiály. Dávajte pozor, aby ste zabránili vzniku požiaru vznietením horľavého materiálu.

CZ VAROVÁNÍ: Nebezpečí požáru/hořlavý materiál. Tento symbol signalizuje, že hrozí nebezpečí požáru kvůli použití hořlavých materiálů. Dejte pozor, abyste zamezili způsobení požáru zapálením hořlavého materiálu.



User Manual

Wine Cellar

HWS77GDAU1

HWS42GDAU1

EN

Haier

Thank you for purchasing a Haier Product.

Please read these instructions carefully before using this appliance. The instructions contain important information which will help you get the best out of the appliance and ensure safe and proper installation, use and maintenance.

Keep this manual in a convenient place so you can always refer to it for the safe and proper use of the appliance.

If you sell the appliance, give it away, or leave it behind when you move house, make sure you also pass this manual so that the new owner can become familiar with the appliance and safety warnings.



Legend

Warning – Important Safety information



General information and tips



Environmental information



Disposal

Help protect the environment and human health. Put the packaging in applicable containers to recycle it. Help to recycle waste of electrical and electronic appliances. Do not dispose appliances marked with this symbol with the household waste. Return the product to your local recycling facility or contact your municipal office.



WARNING!

Risk of injury or suffocation!

Refrigerants and gases must be disposed of professionally. Ensure that the tubing of the refrigerant circuit is not damaged before being properly disposed of. Disconnect the appliance from the mains supply. Cut off the mains cable and dispose of it. Remove the trays and drawers as well as the door catch and seals, to prevent children and pets to get closed in the appliance.

Old appliances still have some residual value. An environmentally friendly method of disposal will ensure that valuable raw materials can be recovered and used again.

Cyclopentane, a flammable substance not harmful to ozone, is used as an expander for the insulating foam.

By ensuring this product is disposed of correctly, you will help prevent potential negative consequences for the environment and human health, which could otherwise be caused.

For more detailed information about recycling of this product, please contact your local council, your household waste disposal service or the shop where you purchased the product, handled by the professionals.

1- Safety information.....	4
2- Safety tips.....	7
3- Maintenance	11
4-Accessories.....	13
5- Product description	14
6- Installation	15
7- Use.....	18
8- Energy saving tips.....	21
9 - Equipment	22
10- Care and cleaning.....	23
11- Troubleshooting	24
12- Technical data	27
13- Customer Service	28
14- Wine bottle stacking.....	29

This appliance is intended to be used exclusively for the storage of wine. Before switching on the appliance for the first time read the following safety hints:



WARNING!

Before first use

- ▶ Make sure there is no transport damage.
- ▶ Remove all packaging and keep out of children's reach and dispose them in an environmentally friendly manner.
- ▶ Wait at least two hours before installing the appliance in order to ensure the refrigerant circuit is fully efficient.
- ▶ Handle the appliance always with at least two persons because it is heavy.

Installation

- ▶ The appliance should be placed in a well-ventilated place. Ensure a space of at least 10 cm above and around the appliance.
- ▶ **WARNING:** Keep ventilation openings, in the appliance enclosure or in the built-in structure, clear of obstruction.
- ▶ Never place the appliance in a damp area or location where it might be splashed with water. Clean and dry water splashes and stains with a soft clean cloth.
- ▶ Do not install your wine cellar in any location not properly insulated or heated e.g. garage etc. Your wine cellar was not designed to operate in ambient temperature below 10 °C.
- ▶ Do not install the appliance in direct sunlight or in the near of heat sources (e.g. stoves, heaters).
- ▶ Install and level the appliance in an area suitable for its size and use.
- ▶ Make sure that the electrical information on the rating plate agrees with the power supply. If it does not, contact an electrician.
- ▶ The appliance is operated by a 220-240 VAC/50 Hz power supply. Abnormal voltage fluctuation may cause the appliance to fail to start, or damage to the temperature control or compressor, or there may be an abnormal noise when operating. In such case, an automatic regulator shall be mounted.
- ▶ Do not use multi-plug adapters and extension cables.

**WARNING!**

- ▶ **WARNING:** Do not locate multiple portable socket outlets or portable power supplies at the rear of the appliance.
- ▶ **WARNING:** When positioning the appliance, ensure the supply cord is not trapped or damaged.
- ▶ Do not step on the power cable.
- ▶ Use a separate earthed socket for the power supply which is easy accessible. The appliance must be earthed.
- ▶ **Only for UK:** The appliance's power cable is fitted with 3-cord (grounding) plug that fits a standard 3-cord (grounded) socket. Never cut off or dismount the third pin (grounding). After the appliance is installed, the plug should be accessible.
- ▶ **WARNING:** Do not damage the refrigerant circuit.

Daily use

- ▶ This appliance can be used by children aged from 8 years and above and persons with reduced physical, sensory or mental capabilities or lack of experience and knowledge if they have been given supervision or instruction concerning use of the appliance in a safe way and understand the hazards involved.
- ▶ Children shall not play with the appliance.
- ▶ Children aged from 3 to 8 years are allowed to load and unload refrigerating appliances, but not allowed to clean and install the refrigerating appliances.
- ▶ Keep away children under 3 years of age from the appliance unless they are constantly supervised.
- ▶ Cleaning and user maintenance shall not be made by children without supervision.
- ▶ The appliance must be positioned so that the plug is accessible.
- ▶ If coal gas or other inflammable gas is leaking into vicinity of the appliance, turn off the valve of the leaking gas, open the doors and windows and do not unplug the power cable of the appliance.
- ▶ Wait at least 7 minutes to reconnect the power after the power has been disconnected.
- ▶ Do not lift the appliance by its door handles.
- ▶ The keys must be kept out of the reach of children and not in the vicinity of the appliance to prevent children from being locked inside the appliance.



WARNING!

- ▶ Notice that the appliance is set for operation at the specific ambient range between 10 and 38°C. The appliance may not work properly if it is left for a long period at a temperature above or below the indicated range.
- ▶ Do not place unstable articles (heavy objects, containers filled with water) on top of the appliance, to avoid personal injury caused by falling or electric shock caused by contact with water.
- ▶ Open and close the door only with the handles. The gap between the door and the cabinet is very narrow. Do not put your hands in these areas to avoid pinching your fingers. Open or close the appliance doors only when there are no children standing within the range of door movement.
- ▶ Do not store or use inflammable, explosive or corrosive materials in the appliance or in the vicinity.
- ▶ Do not store explosive substances such as aerosol cans with a flammable propellant in this appliance.
- ▶ Do not store medicines, bacteria or chemical agents in the appliance. This appliance is a household appliance. It is not recommended to store materials that require strict temperatures.
- ▶ Do not set unnecessarily low temperature in the wine cabinet compartment. Minus temperatures may occur at high settings. Attention: Bottles can burst
- ▶ Do not touch the inside surface of the appliance compartment when in operation, especially with wet hands, as your hands may freeze onto the surface.
- ▶ For proper wine cooling, do not overload the appliance.
- ▶ Unplug the appliance in the event of a power interruption or before cleaning. Allow at least 7 minutes before restarting the appliance, as frequent starting may damage the compressor.
- ▶ **WARNING:** Do not use electrical devices inside the appliance, unless they are of the type recommended by the manufacturer. To avoid risks a damaged power cord must be replaced by the customer service (see warranty card).
- ▶ To prolong the service life of the appliance, avoid turning it off.
- ▶ Never place the appliance horizontally on the ground. After tilting the appliance more than 45°, wait for 24 hours before plugging it in.

**WARNING!****Maintenance / cleaning**

- ▶ Make sure children are supervised if they carry out cleaning and maintenance.
- ▶ Disconnect the appliance from the electrical supply before undertaking any routine maintenance. Allow at least 7 minutes before restarting the appliance, as frequent starting may damage the compressor.
- ▶ Hold the plug, not the cable, when unplugging the appliance.
- ▶ Do not clean the appliance with hard brushes, wire brushes, detergent powder, petrol, amyl acetate, acetone and similar organic solutions, acid or alkaline solutions. Please clean with special refrigerator/freezer detergent to avoid damage. Eventually use warm water and baking soda solution - about a tablespoon of baking soda to a litre/quart of water. Rinse thoroughly with water and wipe dry. Do not use cleaning powders or other abrasive cleaners. Do not wash removable parts in a dishwasher.
- ▶ **WARNING:** Do not use mechanical devices or other means to accelerate the defrosting process, other than those recommended by the manufacturer.
- ▶ If the supply cord is damaged, it must be replaced by the manufacturer, its service agent or similarly qualified persons in order to avoid a hazard.
- ▶ Do not try to repair, disassemble or modify the appliance by yourself. In case of repair please contact our customer service.
- ▶ If the illuminating lamps are damaged, it must be replaced by the manufacturer, its service agent or similarly qualified persons in order to avoid a hazard.
- ▶ Eliminate the dust on the back of the unit at least once in the year to avoid hazard by fire, as well as increased energy consumption.

- ▶ Do not spray or flush the appliance during cleaning.
- ▶ Do not use water spray or steam to clean the appliance.
- ▶ Do not clean the cold glass door with hot water. Sudden temperature change may cause the glass to break.
- ▶ If you leave your appliance out of use for an extended period, leave it open to prevent odour and unpleasant smells building up inside.

Refrigerant gas information



WARNING!

The appliance contains the flammable refrigerant ISOBUTANE (R600a). Make sure the refrigerant circuit is not damaged during transportation or installation. Leaking refrigerant may cause eye injuries or ignite. If a damage has occurred, keep away open fire sources, thoroughly ventilate the room, do **not** plug or unplug the power cords of the appliance or any other appliance. Inform the customer service.

In case of eyes get into contact with the refrigerant, rinse it immediately under running water and call immediately the eye specialist.

WARNING: The refrigeration system is under high pressure. Do not tamper with it. Since the flammable refrigerants are used, please, install, handle and service the appliance strictly according to the instruction and contact the professional agent or our after-sales service to dispose of the appliance.

Intended use


This appliance is intended to be used in household and similar applications such as

- staff kitchen areas in shops, offices and other working environments;
 - farm houses and by clients in hotels, motels and other residential type environments;
 - bed and breakfast type environments;
 - catering and similar non-retail applications.
- ▶ To ensure the safe preservation of wine, please comply with this instruction for use.
- ▶ The details on the most appropriate part in the compartment of the appliance where specific types of food shall be stored, considering the distribution of temperature that can be present in the different compartments of the appliance are in the other part of the manual.

Changes or modifications to the device are not allowed. Unintended use may cause hazards and loss of warranty claims.

Disposal



The  symbol on the product or on its packaging indicates that this product may not be treated as household waste. Instead it shall be handed over to the applicable collection point for the recycling of electrical and electronic equipment. By ensuring this product is disposed of correctly, you will help prevent potential negative consequences for the environment and human health, which could otherwise be caused by inappropriate waste handling of this product. For more detailed information about recycling of this product, please contact your local city office, your household waste disposal service or the shop where you purchased the product.

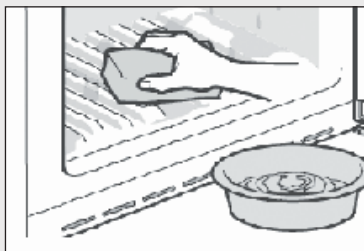
Since the flammable insulation blowing gases are used, please contact the professional agent or our after-sale service to dispose of the appliance.

WARNING!

Risk of injury of suffocation!

Refrigerants and gases must be disposed of professionally. Ensure that the tubing of the refrigerant circuit is not damaged before being properly disposed of. Disconnect the appliance from the mains supply. Cut off the mains cable and dispose of it. Remove the trays and drawers as well as the door catch and seals to prevent children and pets to get closed in the appliance.

- ▶ **WARNING:** Disconnect the appliance from the power supply before cleaning.
- ▶ Do not clean the appliance with hard brushes, wire brushes, detergent powder, petrol, amyl acetate, acetone and similar organic solutions, acid or alkaline solutions. Please clean with special refrigerator detergent to avoid damage.
- ▶ Clean the appliance when only little or no wine is stored. It is only necessary to clean it when it is dirty.
- ▶ Clean the inside and housing of the appliance with a sponge damped in warm water and neutral detergent
- ▶ Rinse with clean warm water and dry with soft cloth.
- ▶ Do not clean any of the parts of the appliance in a dishwasher.
- ▶ Allow at least 7 minutes before re-starting the appliance as frequent starting may damage the compressor.



Clean the door gasket:

- ▶ The door gaskets should be cleaned every 3 months to assure a proper seal. As below : Remove: Grasp the door gasket and pull it out according to the direction of arrow to remove the whole door gasket in order.

Dip the brush with water or food grade alcohol, clean up the door gasket groove firstly by pulling back and forth the brush. Then wipe door gasket surface with a towel dipped with water or food grade alcohol. Finally, wash the door gasket clean and wipe it dry with a clean towel.



Installation door gasket after cleaning:

Before installation, make sure that there is no water on the door gasket. Insert the door gasket into the groove, and press the door gasket tightly from the top to the bottom by hand until the whole door gasket is inserted into the groove.

Cleaning the shelves:

- ▶ All shelves can be taken out for cleaning.
- ▶ Take out all bottles.
- ▶ Lift each shelf a little and take it out.
- ▶ Clean the shelf with a soft towel.
- ▶ Wait until the shelves are dry before putting them back in.

WARNING:

Wait at least 7 minutes to reconnect the power after the power has been disconnected.

Check the accessories and literature in accordance with this list:
without isolation.

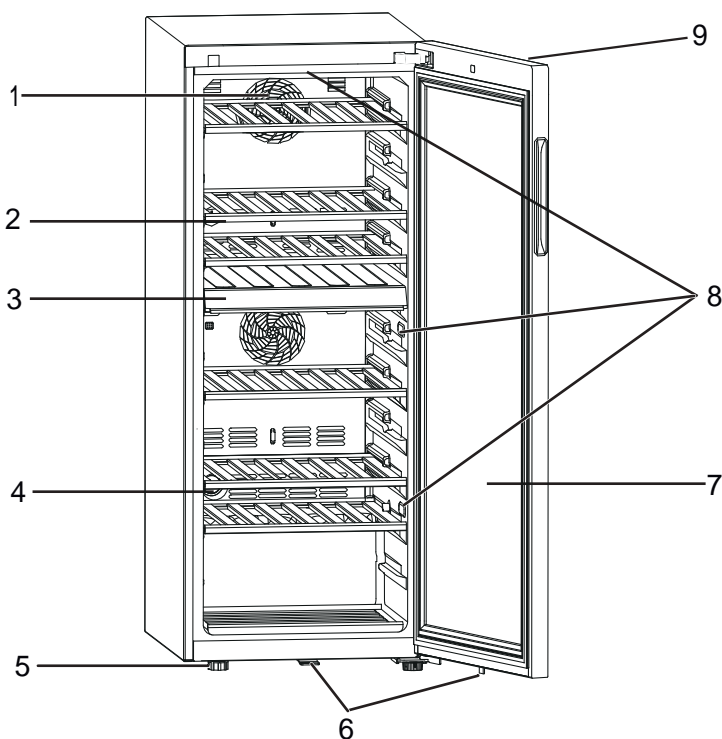
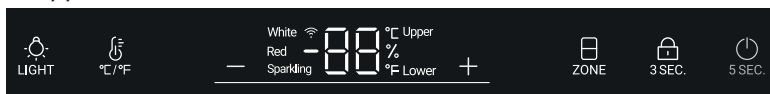
Name	User Manual	Service Card	Shelf	Small shelf	Hinger Cover	Energy Label	Key	Left cam of door manual
HWS77GDAU1	1	1	6	1	1	1	2	2
HWS42GDAU1	1	1	3	1	1	1	2	2



Notice

Due to technical changes and different models, some of the illustrations in this manual may differ from your model.

Picture of appliance



- | | |
|---------------------------|-----------------------------------|
| 1. Fan | 6. Lock |
| 2. Shelf | 7. Door |
| 3. Middle partition | 8. LED lamp |
| 4. Active charcoal filter | 9. Display (on front of the door) |
| 5. Adjustable feet | |

1. Unpacking

- ▶ Take the appliance out of the packaging.
- ▶ Remove all packaging materials including the foam base and all adhesive tape holding the accessories.

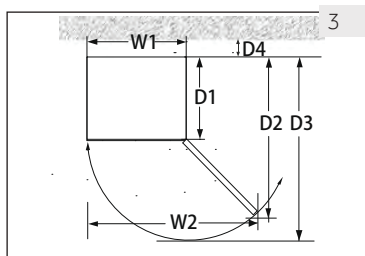
2. Environmental conditions

The room temperature should always be between 10 °C and 38 °C, since it can influence the temperature inside the appliance and its energy consumption. Do not install the appliance near other heat-emitting appliances (ovens, refrigerators) without isolation.

3. Space requirements

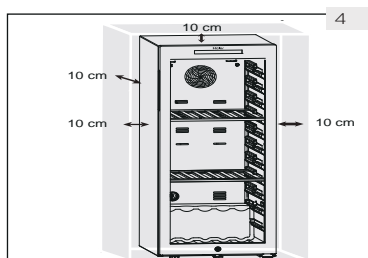
Required space to open the door (Fig. 3):

Width in mm		Depth in mm			Distance to wall in mm
W1	W2	D1	D2	D3	D4
495	630	535	1033	1047	100



4. Ventilation space

For safety and energy reasons, the required ventilation distance of 10 cm in all directions must be observed (Fig. 4).



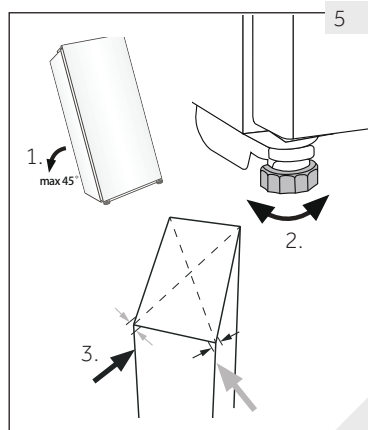
WARNING!

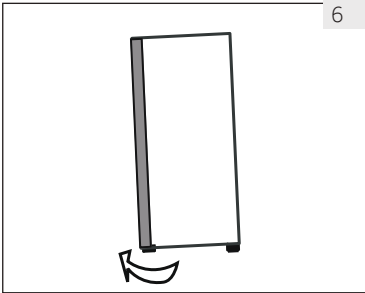
- ▶ Keep ventilation openings in the appliance or in the in-built structure clear of obstruction.

5. Aligning the appliance

The appliance should be placed on a flat and solid surface.

1. Tilt the appliance slightly backwards (Fig. 5).
2. Set the adjustable front feet to the desired level by turning them.
3. The stability can be checked by alternately bumping on the diagonals. The slight swaying should be the same in both directions. Otherwise the frame can warp; possible leaking door seals are the result. A low tendency to the rear facilitates the closing of the door.





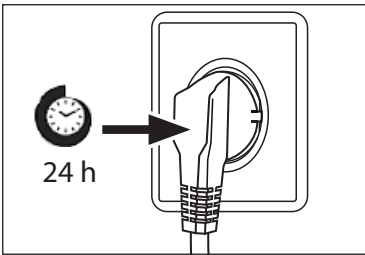
6

6. Fine tuning of the door

The appliance closes more easily if the levelling feet on the front are used:

Rotate the adjustable feet (Fig. 6) to turn them up or down:

- ▶ Turning the feet clockwise raises the appliance.
- ▶ Turning the feet counterclockwise lower the appliance.



7. Waiting time

The maintenance-free lubrication oil is located in the capsule of the compressor. This oil can get through the closed pipe system during transport if the appliance is tilted. Before connecting the appliance to the power supply, wait 24 hours (Fig. 7) so that the oil runs back into the capsule.

8. Electrical connection

Before each connection check if:

- ▶ power supply, socket and fusing are appropriate to the rating plate.
- ▶ the power socket is earthed and no multi-plug or extension.
- ▶ the power plug and socket are fit properly.

Connect the plug to a properly installed household socket.



WARNING!

To avoid risks a damaged power cord must be replaced by the customer service (see warranty card).

9. Door Reversibility

Before connecting the appliance to the power supply you should check, whether the door swing must changed from right (as delivered) to left, if this is required by the installation location and the usability

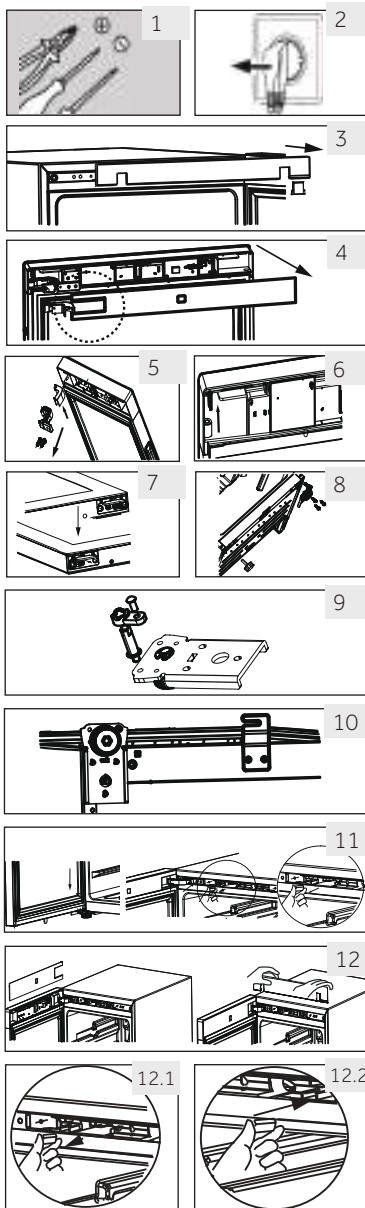


WARNING!

- ▶ The appliance is heavy. You need two persons to carry out the door reversibility.
- ▶ Before any operation, first unplug the appliance from the mains.
- ▶ Do not tilt the appliance more than 45 ° to prevent damage of the cooling system.

Assembly steps

1. Provide necessary tool.
2. Unplug the appliance.
3. Open the door, take down the front strip and find the corresponding strip to remove the left side and placed on the right side of the gap.
4. Unplug the connection cable. Pull-out the upper part of the door seal, and take down the door back strip. (Remove from the left side opening)
5. Remove 2 screws on the upper hinge.
6. Remove cover and hinge, remove axle cover then assemble to the other side, then install the hinge in the axle.
7. Remove the cam and door holder, move the door holder to another side of the door. Install the new cam from the gift bag.
8. Cabinet tilted (less than 45°), remove the bottom hinge (3 screws) for backup.
9. Remove the lower hinge cam and hinge shaft. Install the shaft on the right side of the lower hinge. Take out the cam from the instruction bag and install it on the lower hinge shaft.
10. Install the lower hinge and the bottom foot on the other side of the cabinet. Lubricate the cam.
11. Install the door on the lower hinge shaft, and fix the upper hinge with two screws on the cabinet. Fix the signal wires in the middle of the upper hinge groove, and take the hinge cover in the instruction bag and fasten it on the upper hinge.
12. Install the door seal and the door strip on the door. Insert the pair of door signal wires, move the magnetic switch (12.1) to the right mounting slot (12.2) of the upper beam box, and fasten the front trim of the cabinet.
13. Make sure the door is able to open and close in a good condition.



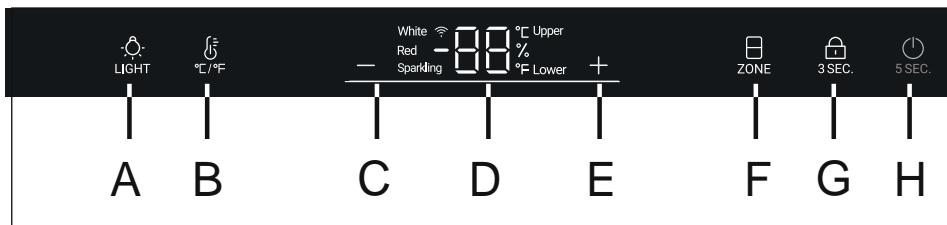
1. Before first use

- ▶ Remove all packaging materials. This includes the foam base and all adhesive tape holding the wine cellar accessories inside and outside. Keep them out of children's reach and dispose them in an environmentally friendly manner.
- ▶ Clean the inside and outside of the appliance with water and a mild detergent before putting any wine in it.
- ▶ After the appliance has been levelled and cleaned, wait for at least 2 hours before connecting it to the power supply. If your wine cellar has been tilted for any reason, wait 24 hours before plugging it in. See section INSTALLATION.
- ▶ Once you have plugged the unit into an electrical outlet, let the unit run for at least 30 minutes to acclimatize itself before making any adjustments.
- ▶ The temperature is automatically set to 12 °C. If desired, you can change the temperature manually. Please see TEMPERATURE.

2. Touch keys



The buttons on the control panel are touch keys, which respond when lightly touched with the finger.

3. Description for control panel



- | | |
|----------------------------------|--------------------------------|
| A Interior light/Wi-Fi button | E Temperature adjust button:up |
| B °C /°F conversion button | F Temperature zone selection |
| C Temperature adjust button:down | G Lock button |
| D Display | H Power button |

4. Automatically locking function

The control panel automatically locks from any key presses after 30 seconds from being enabled, the  3 SEC. is light. To activate keylock press the  3 SEC. button for 3 seconds, when locked the back lit LED lights will dim. Button A is not locked.

5. Power button function

When the display is unlocking, press the button H for 5 seconds, the wine cellar cuts off the power. Then press the button H for 5 seconds, the wine cellar power on. When the display is locking, the button H can't operate.

6. Temperature setting



Notice

Presettings

- ▶ Once you have plugged the unit into an electrical outlet, let the unit for at least 30 minutes to acclimatize itself before making any adjustments.
- ▶ When the appliance is switched on after disconnection from the main power supply, it may take several hours for the correct temperatures to be reached. The exact time varies depending on the environment and the temperature setting.

1. Temperature zone selection

In the unlocking state, the "Z" icon is fully on. If the current display is in the upper temperature zone, the upper icon is on and the lower icon is off. At this time, press the "Z" key, the lower icon will be on and the upper icon will be off.

2. Temperature setting

In the unlocking state, when the "upper" icon is on, the upper temperature zone temperature can be adjusted:

Press $+$ or $-$ when "Upper" light on, to increase or decrease the temperature. When the desired temperature has reached, press the button. After that the temperature setting is completed and 3 seconds later, the temperature display area will stop flashing, then the temperature display will show the current temperature.

The temperature range is 5 to 20 degree.

When the "lower" icon is on, the temperature in the lower temperature zone can be adjusted

Recommended temperature settings

The following drinking temperatures are recommended for the different types of wine.

Red wine	+13°C to +20°C (+55°F to +68°C)	Sparkling wine Prosecco	+5°C to +8°C (+41°F to +47°F)
White wine	+9°C to +12°C (+48°F to +54°F)		



If you store wine for long periods of time, it should be stored at a temperature between +10 °C and +12 °C (50°F and +54°F).

7. Standby-mode

The display screen is dimmed automatically 30 seconds.

It lights up automatically when any key is touched or the door is opened.

8. Lighting mode setting

Press the  button. When the lights in the cabinet are on, the lights will be lighted up gradually. When pressed the  button once again the lights will be off gradually.



Notice Influences on temperatures

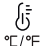
The temperature inside the appliance is influenced by the following factors:

- ▶ Ambient temperature
- ▶ Frequency of door opening
- ▶ Amount of stored bottles
- ▶ The location of the appliance

The default setting is 12°C

When display stops flashing, it goes back to showing the current temperature inside the wine cellar. It will take some time to reach the set temperature.

9. °C/°F function

Press the  button, switch between Fahrenheit and Celsius.

10. Power-Off Memory function

If a power outage, the cellar will automatically save the set temperature. After power recovery, it will run based on the temperature set before the power outage .

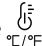
11. Low temperature compensation function

The wine cellar has a low temperature compensation function to ensure the stability of the temperature: When the ambient temperature is lower than the set temperature, the wine cellar automatically starts the low temperature compensation function, heating the application. When the temperature in the application reaches the set temperature, the low temperature compensation function is automatically turned off.

12. Door opening alarm

If the door is kept open for over 1 min, buzzer will be beeping to give an alarm till the door is closed or any key on display panel can be operated and then the buzzer will stop beeping.

13. Humidity display

Press the  button for 3 seconds, the display area will show the humidity. Then press the other buttons, the display will out humidity .

14. Wi-Fi mode setting

CONNECTIVITY WIRELESS PARAMETERS

Technology	Wi-Fi	Bluetooth
Standard	IEEE 802.11 b/g/n	Bluetooth v4.2, BR/EDR, BLE
Frequency Band(s) [MHz]	2401÷2483	2402÷2480
Maximum power [mW]Band(s) [MHz]	100	10

PRODUCT INFORMATION

How to activate Wi-Fi module:

- Press the light button for 3 seconds to activate the
- The Wi-Fi module is switched on the Wi-Fi icon starts to blink
- If the wine cellar is enrolled but the Wi-Fi is off the icon will blink
- If the wine cellar is enrolled and connected the Wi-Fi icon is always on
- To reset the Wi-Fi press the light for 3 seconds

IN APP PAIRING PROCEDURE

Step 1

- Download the hOn app on the stores



Step 2

- Log in or sign up



Step 3

- Add a new appliance selecting the wine cellar from the list



Step 4

- Scan the QR or insert manually the serial number



Step 5

- Press the light button on the product for 3s to activate the Wi-Fi



Step 6

- The wi-fi icon will blink, the pairing process is in progress
- You will have 5 minutes to complete the pairing process
- When the process is completed the Wi-Fi icon will stop blinking and it will remain always on

NOTE



Energy saving tips

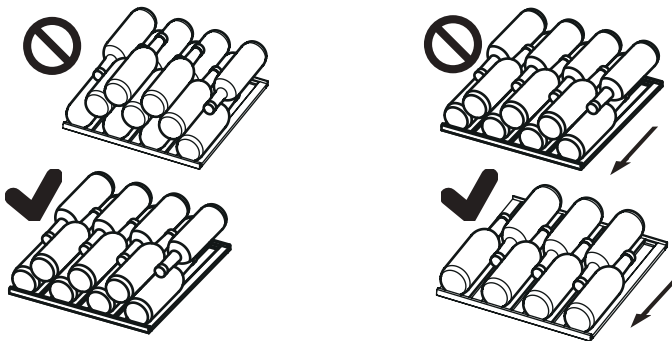
- ▶ Make sure the appliance is properly ventilated (see INSTALLATION).
- ▶ Do not install the appliance in direct sunlight or in the near of heat sources (e.g. stoves, heaters).
- ▶ Avoid unnecessarily low temperature in the appliance. The energy consumption increases the lower the temperature in the appliance is set.
- ▶ Open the appliance door as little and as briefly as possible.
- ▶ Do not exceed the designed amount of bottles to avoid obstructing the air flow.
- ▶ Keep door seals clean so that the door always closes correctly.

1. Shelf


1. The shelves are designed for easy storage and easy removal of the wine. They can be cleaned with a soft towel.
2. Regular bottles with diameter of 76mm can be stacked.
3. Magnum bottles can be stacked on the bottom shelf.
4. The quantity can vary from the depicted number or bottles if they are stacked in a different way.

Advice for the layout of your wine cellar

We recommend that the number of wine bottles should not exceed two layers on each shelf, and the bearing capacity of the wine shelves should not exceed 20 kg. Before placing the bottles inside the wine cellar, confirm whether or not the wine shelves are completely stable. In addition, confirm whether or not any bottle protrudes from the shelves in order to prevent bottles hitting the glass door upon closing.



2. The light

The LED interior light comes on when the door is opened. To turn on the light while the door is closed, touch the  button. To turn the lights off, touch the button again. To increase the energy efficiency, the lights should be turned off when the wine cellar is not being viewed.

3. The lock

To lock the wine cellar, close the door and put the key in the lock:

- ▶ Lock the door by turning the key counterclockwise;
- ▶ Unlock the door by turning the key clockwise.

1. Defrosting

The defrosting of the wine cellar is done automatically; no manual operation is needed.

2. Replacing the LED lamp

The lamp uses LED as its light source, featuring low energy consumption and long service life. If there is any abnormality, please contact the customer service. See CUSTOMER SERVICE.



WARNING!

Do not replace the LED lamp yourself. It must only be replaced by either the manufacturer or the authorised service agent.

Parameters of LED lamp:

Voltage 12V; Max power: 8W (for HWS77GDAU1)

Voltage 12V; Max power: 5W (for HWS42GDAU1)

3. Non-use for a longer period

Unplug the power cord.

Clean the appliance and door gaskets as described above.

Keep the door open to prevent the creation of bad odours inside.

4. Moving the appliance

1. Remove all bottles and unplug the appliance.

2. Secure shelves and other moveable parts in the wine cellar with adhesive tape.

3. Do not tilt the wine cellar more than 45° to avoid damaging the refrigerating system.

5. Air exchange with activated carbon filter

The way in which wines continue to mature depends on the ambient conditions. The quality of the air is therefore decisive for preserving the wine. An activated carbon filter has been fitted in the lower area of the rear wall of the appliance to through put remains at an optimum quality.



Notice

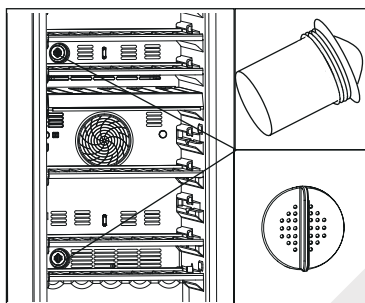
We recommend that you replace the filter once a year. Filters can be obtained from your dealer.

Changing the filter:

Take the filter by the handle. Turn it to the left and remove.

Inserting the filter:

Insert with the handle in a vertical position. Turn it to the right and insert.



Many occurring problems could be solved by yourself without specific expertise. In case of a problem please check all shown possibilities and follow below instructions before you contact an after sales service. See CUSTOMER SERVICE.



WARNING!

- ▶ Before maintenance, deactivate the appliance and disconnect the mains plug from the mains socket.
- ▶ Electrical equipment should be serviced only by qualified electrical experts, because improper repairs can cause considerable consequential damages.
- ▶ A damaged supply should only be replaced by the manufacturer, its service agent or similarly qualified persons in order to avoid a hazard.

Error Code	Cause	Solution
rH	The appliance gives a high-temperature warning when the upper compartment's temperature has been higher than 25 °C for 3 hours.	Ambient temperature is too high. The appliance working temperature should be between 10°C and 38 °C.
rL	The compressor stops working when the temperature is lower than 0 °C. The low temperature warning is given when the temperature has been lower than 0 °C for 2 hours.	Ambient temperature is too low. The appliance working temperature should be between 10 °C and 38 °C.

Problem	Possible Cause	Possible Solution
The compressor does not work.	<ul style="list-style-type: none"> • Mains plug is not connected in the mains socket. 	<ul style="list-style-type: none"> • Connect the mains plug.
The appliance runs frequently or runs for a too long period of time.	<ul style="list-style-type: none"> • The outdoor temperature is too high. • The appliance has been off power for a period of time. • A door of the appliance is not tightly closed. • The door has been opened too frequently or for too long. • The door gaskets are dirty, worn, cracked or mismatched. • The required air circulation is not guaranteed. • The temperature is set too low. 	<ul style="list-style-type: none"> • In this case, it is normal for the appliance to run longer. • Normally, it takes a while for the appliance to cool down completely. • Close the door and ensure the appliance is located on a level ground and there is no food or container jarring the door. • Do not open the door too frequently. • Clean the door gasket or replace them by the customer service. • Ensure adequate ventilation. • The problem will resolved itself when the desired temperature has been reached.
The inside of the wine cellar is dirty and/or smells..	<ul style="list-style-type: none"> • The inside of the wine cellar needs cleaning. 	<ul style="list-style-type: none"> • Clean the inside of the wine cellar.
It is not cold enough inside the appliance.	<ul style="list-style-type: none"> • The temperature is set too high. • Bottles have been added recently. • A door of the appliance is not tightly closed. • The door has been opened too frequently or for too long. • The door gaskets are dirty, worn, cracked or mismatched. 	<ul style="list-style-type: none"> • Reset the temperature. • Allow time for recently added bottles to reach desired temperature. • Close the door. • Do not open the door too frequently. • Clean the doorgasket or replace them by the customer service..
It is too cold inside the appliance.	<ul style="list-style-type: none"> • The temperature is set too low. 	<ul style="list-style-type: none"> • Reset the temperature.
Moisture formation on the inside of the refrigerator compartment.	<ul style="list-style-type: none"> • The climate is too warm and too-damp. • A door of the appliance is not tightly closed. • The door has been opened too frequently or for too long.. 	<ul style="list-style-type: none"> • Increase the temperature. • Close the door. • Do not open the door/drawer too frequently.

Problem	Possible Cause	Possible Solution
Moisture accumulates on the wine cellar;s outside surface.	<ul style="list-style-type: none"> • The climate is too warm and too damp • The door is not closed tightly.The cold air in the appliance and the warm air outside it condensates. 	<ul style="list-style-type: none"> • This is normal in damp climate and will change when the humidity decreases. • Ensure that the door is shut tightly and that the gaskets seal properly.
The appliance makes abnormal sounds	<ul style="list-style-type: none"> • The appliance is not located on level ground. • The appliance touches some object around it. 	<ul style="list-style-type: none"> • Ajust the feet to level the appliance. • Remove objects around the appliance.
A slight sound is to be heard similar to that of flowing water.	<ul style="list-style-type: none"> • This is normal 	<ul style="list-style-type: none"> • -
The interior lighting or cooling system does not work.	<ul style="list-style-type: none"> • Mains plug is not connected to the mains socket. • The power supply is not intact. • The LED-lamp is out of order. 	<ul style="list-style-type: none"> • Connect the mains plug. • Check the electrical supply to the room.Call the local electricity company. • Please call the service for changing
The sides of the cooler and door strip get warm	<ul style="list-style-type: none"> • This is normal. 	<ul style="list-style-type: none"> • -
The door does not shut properly	<ul style="list-style-type: none"> • The appliance is not level. • The door is blocked. 	<ul style="list-style-type: none"> • Level the appliance with the leveling feet. • Check for blockages like bottles or shelves.

Product fiche according to regulation EU No. 1060/2010

Brand	Haier	Haier
Model name / identifier	HWS42GDAU1	HWS77GDAU1
Rated bottle capacity	42	77
Household refrigeration category	2	2
Energy efficiency class	A	A
Annual energy consumption (kWh/year) ¹⁾	142	152
Storage volume (L)	106	190
Climate class: This appliance is intended to be used at an ambient temperature between 10 °C and 38 °C.	SN N ST	SN N ST
Airborne acoustical noise emissions (db(A) re 1pW)	37	37
Type of appliance	Freestanding	Freestanding
This appliance is intended to be used exclusively for the storage of wine.	Yes	Yes
Dimensions (D/W/H in mm)	585/497/820	585/497/1270

Explanations:

1) based on standard test results for 24 hours. The actual power consumption depends on the actual environment, the amount of bottling, the set temperature, the door opening and closing, etc.

2) The nominal power consumption is the value obtained according to the standard test when the wine cabinet does not turn on the internal light.

11.3 Standards and directives

This product meets the requirements of all applicable EC directives with the corresponding harmonised standards, which provide for CE marking.

We recommend our Haier Customer Service and the use of original spare parts.
If you have a problem with your appliance, please first check section TROUBLESHOOTING.

If you cannot find a solution there, please contact

- ▶ your local dealer or
- ▶ the Service & Support area at www.haier.com where you can find telephone numbers and FAQs and where you can activate the service claim.

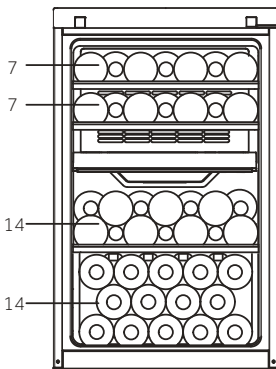
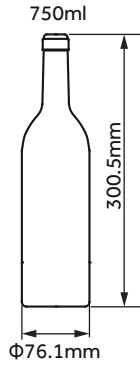
To contact our Service, ensure that you have the following data available.
The information can be found on the rating plate.

Model _____ Serial No. _____

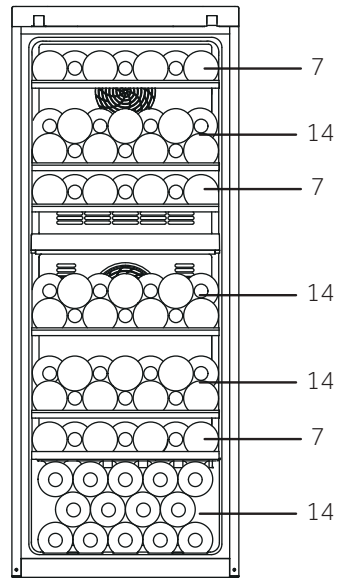
Also check the Warranty Card supplied with the product in case of warranty.

For general business enquiries please find our addresses in Europe below:

European Haier addresses			
Country*	Postal address	Country	Postal address
Italy	Haier Europe Trading SRL Via De Cristoforis, 12 21100 Verese ITALY	France	Haier France SAS 3-5 rue des Graviers 92200 Neuilly sur Seine FRANCE
Spain Portugal	Haier Iberia SL Pg. Garcia Faria, 49-51 08019 Barcelona SPAIN	Belgium-FR Belgium-NL Netherlands Luxembourg	Haier Benelux SA Anderlecht Route de Lennik 451 BELGIUM
Germany Austria	Haier Deutschland GmbH Hewlett-Packard-Str. 4 D-61352 Bad Homburg GERMANY	Poland Czechia Hungary Greece Romania Russia	Haier Poland Sp. zo.o. Al. Jerozolimskie 181B 02-222 Warszawa POLAND
United Kingdom	Haier Appliances UK Co. Ltd. One Crown Square Church Street East Woking, Surrey, GU21 6HR UK		



HWS42GDAU1
(42)



HWS77GDAU1
(77)



Benutzerhandbuch

Weinklimaschrank

HWS77GDAU1

HWS42GDAU1

DE

Haier

Vielen Dank für den Kauf eines Haier-Produkts.

Bitte lesen Sie diese Anweisungen sorgfältig durch, bevor Sie dieses Gerät benutzen. Die Anleitung enthält wichtige Informationen, die Ihnen helfen, das Gerät optimal zu nutzen und eine sichere und ordnungsgemäße Installation, Verwendung und Wartung zu gewährleisten.

Bewahren Sie diese Anleitung an einem geeigneten Ort auf, damit Sie jederzeit für die sichere und ordnungsgemäße Verwendung des Geräts darauf zurückgreifen können.

Wenn Sie das Gerät verkaufen, weggeben oder bei einem Umzug zurücklassen, vergewissern Sie sich, dass diese Anleitung auch beigelegt wird, damit sich der neue Besitzer mit dem Gerät und den Sicherheitshinweisen vertraut machen kann.



Legende

Warnung - Wichtige Sicherheitsinformationen



Allgemeine Informationen und Tipps



Umweltinformationen

Entsorgung



Tragen Sie zum Schutz der Umwelt und der menschlichen Gesundheit bei. Die Verpackung zum Recyceln in die entsprechenden Behälter entsorgen. Unterstützen Sie das Recycling von Elektro- und Elektronik-Altgeräten. Entsorgen Sie Geräte, die mit diesem Symbol gekennzeichnet sind, nicht mit dem Hausmüll. Geben Sie das Produkt an Ihre lokale Recyclinganlage zurück oder wenden Sie sich an Ihre Stadtverwaltung.



WARNUNG!

Verletzungs- oder Erstickungsgefahr!

Kältemittel und Gase müssen fachgerecht entsorgt werden. Überprüfen Sie, dass der Schlauch des Kühlkreislaufs nicht beschädigt wird, bevor er ordnungsgemäß entsorgt wird. Trennen Sie das Gerät von der Stromversorgung. Trennen Sie das Netzkabel und entsorgen Sie es. Entfernen Sie die Bleche und Schubladen sowie die Türöffnung und Dichtungen, um zu verhindern, dass Kinder und Haustiere im Gerät eingeschlossen werden.

Altgeräte haben noch einen gewissen Restwert. Eine umweltfreundliche Entsorgungsmethode gewährleistet, dass wertvolle Rohstoffe wieder verwertet und wiederverwendet werden können.

Cyclopentan ist eine entzündliche für Ozon nicht schädliche Substanz, die als Treibmittel im Isolierschaum verwendet wird.

Indem Sie sicherstellen, dass dieses Produkt ordnungsgemäß entsorgt wird, tragen Sie dazu bei, mögliche negative Folgen für die Umwelt und die menschliche Gesundheit zu vermeiden, die andernfalls verursacht werden könnten.

Für weitere Informationen über das Recycling dieses Produkts wenden Sie sich bitte an Ihre örtlich zuständige Behörde, Ihr Müllabfuhrunternehmen oder an das Geschäft, in dem Sie das Produkt erworben haben und das von Fachleuten geführt wird.

1- Sicherheitsinformationen.....	36
2- Sicherheitstipps	39
3- Wartung.....	43
4- Zubehör.....	45
5- Produktbeschreibung	46
6- Installation.....	47
7- Nutzung.....	50
8- Tipps zum Energiesparen	55
9- Ausrüstung	56
10- Pflege und Reinigung	57
11- Fehlerbehebung.....	58
12- Kundenservice	62
13- Stapeln von Weinflaschen	63

Dieses Gerät ist ausschließlich für die Weinlagerung bestimmt. Lesen Sie vor dem ersten Einschalten des Geräts folgende Sicherheitshinweise:



WARNUNG!

Vor der ersten Inbetriebnahme

- ▶ Vergewissern Sie sich, dass keine Transportschäden vorliegen.
- ▶ Entfernen Sie sämtliches Verpackungsmaterial und bewahren Sie es außerhalb der Reichweite von Kindern auf und entsorgen Sie es umweltfreundlich.
- ▶ Warten Sie vor dem Einschalten des Geräts mindestens zwei Stunden, damit der Kühlkreislauf auch sicher und effektiv arbeitet.
- ▶ Das Gerät immer mit mindestens zwei Personen transportieren, da es schwer ist.

Installation

- ▶ Das Gerät sollte an einem gut belüfteten Ort aufgestellt werden. Idealerweise müssen mindestens 10 cm rund um das Gerät frei bleiben.
- ▶ **WARNUNG:** Lüftungsschlitze am Gehäuse des Geräts oder in der Einbauöffnung freihalten.
- ▶ Stellen Sie das Gerät niemals in einem feuchten Bereich oder an einem Ort auf, wo es mit Wasser nassgespritzt werden könnte. Reinigen Sie Wasserspritzer und Flecken mit einem weichen, sauberen Tuch.
- ▶ Installieren Sie Ihren Weinklimaschrank nicht an Orten, die nicht richtig isoliert oder erwärmt sind, wie z. B. Garagen usw. Ihr Weinklimaschrank wurde nicht für den Betrieb bei Raumtemperatur unter 10 °C ausgelegt.
- ▶ Stellen Sie das Gerät nicht in direktem Sonnenlicht oder in der Nähe von Hitzequellen (z. B. Herden, Herden) auf.
- ▶ Installieren und richten Sie das Gerät in einem Bereich ein, der für seine Größe und Verwendung geeignet ist.
- ▶ Stellen Sie sicher, dass die elektrischen Informationen auf dem Typenschild der Stromversorgung entsprechen. Ist dies nicht der Fall, wenden Sie sich an einen Elektriker.
- ▶ Das Gerät wird über eine 220-240 V Wechselspannung/50 Hz betrieben. Anormale Spannungsschwankungen könnten dazu führen, dass das Gerät nicht startet, der Temperaturregler oder Kompressor beschädigt wird, oder dass während des Betriebs ein anomales Geräusch auftritt. In einem solchen Fall ist ein automatischer Regler anzubringen.
- ▶ Verwenden Sie keine Mehrfachsteckadapter und Verlängerungskabel.

**WARNUNG!**

- ▶ **WARNUNG:** Keine Mehrfachsteckdosen oder Verlängerungen hinter dem Gerät platzieren.
- ▶ **WARNUNG:** Beim Aufstellen des Geräts darauf achten, dass das Stromkabel nicht eingeklemmt oder beschädigt wird.
- ▶ Nicht auf das Netzkabel treten
- ▶ Verwenden Sie eine separate, geerdete Steckdose für eine leicht zugängliche Stromversorgung. Das Gerät muss geerdet werden.
- ▶ **Nur für Großbritannien:** Das Gerätenetzkabel ist mit einem 3-adrigen Stecker (Erdungsstecker) ausgestattet, der in eine 3-adrige Norm-Buchse (geerdet) passt. Den dritten Stift (Erdung) auf keinen Fall kappen oder entfernen. Das Gerät muss so installiert werden, dass der Stecker erreichbar ist.
- ▶ **WARNUNG:** Den Kühlkreislauf nicht beschädigen.

Täglicher Gebrauch

- ▶ Dieses Gerät kann von Kindern ab 8 Jahren und Personen mit eingeschränkten körperlichen, sensorischen oder geistigen Fähigkeiten oder mangelnder Erfahrung und mangelndem Wissen benutzt werden, wenn diese in die sichere Bedienung des Geräts eingewiesen wurden oder beaufsichtigt werden.
- ▶ Kinder dürfen nicht mit dem Gerät spielen.
- ▶ Kinder im Alter von 3 bis 8 Jahren dürfen Kühlgeräte be- und entladen, aber die Kühlgeräte nicht reinigen und installieren.
- ▶ Kinder unter 3 Jahren vom Gerät fernhalten, es sei denn, sie werden ständig beaufsichtigt.
- ▶ Reinigung und Pflege darf nicht von Kindern ohne Aufsicht erfolgen.
- ▶ Das Gerät sollte so positioniert sein, dass der Stecker frei zugänglich ist.
- ▶ Wenn Kohlegas oder ein anderes brennbares Gas in die Nähe des Geräts gelangt, schalten Sie das Ventil des auslaufenden Gases ab, öffnen Sie die Türen und Fenster und ziehen Sie nicht den Gerätenetzstecker.
- ▶ Warten Sie nach dem Ausschalten mindestens 7 Minuten, bevor Sie den Netzstecker wieder einstecken.
- ▶ Heben Sie das Gerät nicht an seinen Türgriffen an.
- ▶ Die Schlüssel müssen außerhalb der Reichweite von Kindern und nicht in der Nähe des Geräts aufbewahrt werden, um zu verhindern, dass Kinder im Inneren des Geräts verriegelt werden.



WARNUNG!

- ▶ Beachten Sie, dass das Gerät für den Betrieb im spezifischen Umgebungstemperaturbereich zwischen 10 und 38°C eingestellt ist. Das Gerät kann nicht richtig funktionieren, wenn es längere Zeit bei einer Temperatur über oder unter dem angegebenen Bereich verbleibt.
- ▶ Stellen Sie keine instabilen Gegenstände (schwere Gegenstände, mit Wasser gefüllte Behälter) auf das Gerät, um Verletzungen durch Herunterfallen oder elektrische Schläge durch Kontakt mit Wasser zu vermeiden.
- ▶ Die Tür nur mit den Griffen öffnen und schließen. Der Spalt zwischen Tür und Schrank ist sehr schmal. Stecken Sie nicht Ihre Hände in diese Bereiche, um zu vermeiden, dass Sie Ihre Finger eingeklemmt werden. Die Gerätetüren nur dann öffnen oder schließen, wenn keine Kinder im Bewegungsbereich der Tür stehen.
- ▶ Keine brennbaren, explosionsfähigen oder korrosiven Substanzen im Gerät oder in der Nähe verwenden.
- ▶ Keine explosiven Substanzen mit entzündlichen Treibgasen, wie Sprühdosen, in diesem Gerät lagern.
- ▶ Keine Arzneimittel, Bakterien oder Chemikalien im Gerät lagern. Dieses Gerät ist ein Haushaltsgerät. Es wird davon abgeraten, Materialien zu lagern, die extreme Temperaturen erfordern.
- ▶ Keine unnötig niedrigen Temperaturen im Weinklimaschrank einstellen. Bei hohen Einstellungen kann es zu Mindertemperaturen kommen. Achtung: Flaschen können platzen
- ▶ Berühren Sie nicht die Innenfläche des Geräteraums, insbesondere nicht mit nassen Händen, da Ihre Hände mit der Oberfläche anfrieren könnten.
- ▶ Um eine ordnungsgemäße Weinkühlung zu gewährleisten, darf das Gerät nicht überladen werden.
- ▶ Ziehen Sie den Gerätestecker aus der Steckdose, wenn Sie die Stromversorgung abbrechen oder bevor Sie das Gerät reinigen. Warten Sie vor dem Neustart mindestens 7 Minuten, da durch häufiges Einschalten der Kompressor beschädigt werden kann.
- ▶ **WARNUNG:** Verwenden Sie keine elektrischen Geräte im Innern des Geräts, es sei denn, der Typ wurde vom Hersteller empfohlen. Um Gefahren zu vermeiden, muss ein beschädigtes Netzkabel vom Kundenservice ausgetauscht werden (siehe Garantiekarte).
- ▶ Um die Lebensdauer des Geräts zu verlängern, sollten Sie es nicht ausschalten.
- ▶ Stellen Sie das Gerät niemals waagrecht auf den Boden. Wenn das Gerät um mehr als 45° gekippt wurde, warten Sie 24 Stunden, bevor Sie es anschließen.

**WARNUNG!****Wartung / Reinigung**

- ▶ Kinder müssen beaufsichtigt werden, wenn sie das Gerät reinigen und warten.
- ▶ Trennen Sie das Gerät von der Stromversorgung, bevor Sie eine routinemäßige Wartung durchführen. Warten Sie vor dem Neustart mindestens 7 Minuten, da durch häufiges Einschalten der Kompressor beschädigt werden kann.
- ▶ Fassen Sie beim Herausziehen des Gerätesteckers aus der Steckdose, den Stecker und nicht das Kabel an.
- ▶ Reinigen Sie das Gerät nicht mit harten Bürsten, Drahtbürsten, Reinigungspulver, Benzin, Amylacetat, Aceton und ähnlichen organischen Lösungen, Säure oder Alkalilösungen. Bitte reinigen Sie das Gerät mit einem speziellen Reinigungsmittel für Kühl-/Gefriergeräte, um Beschädigungen zu vermeiden. Verwenden Sie ggf. warmes Wasser und eine Natronlösung - etwa einen Esslöffel Backnatron auf einen Liter/Winkel Wasser. Gründlich mit Wasser abspülen und trocken reiben. Verwenden Sie keine Reinigungspulver oder anderen Scheuermittel. Waschen Sie herausnehmbare Teile nicht in der Geschirrspülmaschine.
- ▶ **WARNUNG:** Keine mechanischen oder sonstigen Hilfsmittel verwenden, um den Abtauvorgang zu beschleunigen, es sei denn, dies ist vom Hersteller so empfohlen.
- ▶ Wenn das Stromkabel beschädigt ist, muss es vom Hersteller oder von seinem Service-Mitarbeiter, oder einer gleichwertig qualifizierten Person ausgetauscht werden, um jegliches Risiko zu vermeiden.
- ▶ Versuchen Sie nicht, das Gerät selbst zu reparieren, zu zerlegen oder zu verändern. Bei Reparaturen wenden Sie sich bitte an unseren Kundenservice.
- ▶ Wenn die Lampen beschädigt sind, müssen sie vom Hersteller, von seinem Service-Mitarbeiter, oder einer gleichwertig qualifizierten Person ausgetauscht werden, um jegliches Risiko zu vermeiden.
- ▶ Entfernen Sie den Staub auf der Geräterückseite mindestens einmal im Jahr, um Brandgefahr und einen erhöhten Energieverbrauch zu vermeiden.

- ▶ Das Gerät während der Reinigung nicht besprühen oder spülen.
- ▶ Das Gerät nicht mit Wasser oder Dampf reinigen.
- ▶ Die kalte Glastür nicht mit heißem Wasser reinigen. Plötzliche Temperaturschwankungen können dazu führen, dass das Glas zerspringt.
- ▶ Wenn Sie das Gerät längere Zeit nicht benutzen, lassen Sie es offen, um zu verhindern, dass sich unangenehme Gerüche im Inneren bilden.

Angaben zu Kältemittelgasen



WARNUNG!

Das Gerät enthält das entzündliche Kältemittel ISOBUTAN (R600a). Stellen Sie sicher, dass der Kühlkreislauf während des Transports oder der Installation nicht beschädigt wird. Auslaufendes Kältemittel kann Augenverletzungen verursachen oder sich entzünden. Falls Schäden aufgetreten sind, halten Sie sich von offenen Brandquellen fern, lüften Sie den Raum gründlich, stecken Sie die Netzkabel des Geräts oder eines anderen Geräts **nicht** ein oder aus. Informieren Sie den Kundendienst.

Falls die Augen mit dem Kältemittel in Kontakt kommen, sofort unter fließendem Wasser ausspülen und den Augenarzt verständigen.

WARNUNG: Das Kühlsystem steht unter hohem Druck. Nicht daran manipulieren. Da entzündliche Kältemittel verwendet werden, bitte das Gerät entsprechend der Anweisung installieren, handhaben und warten. Wenden Sie sich an den Fachtechniker oder unseren Kundenservice, um das Gerät zu entsorgen.

Bestimmungsgemäße Verwendung

Dieses Gerät ist ausschließlich für den Hausgebrauch und vergleichbare Verwendungen bestimmt.

- Personalküchen in Geschäften, Büros und anderen Arbeitsumgebungen,
 - in landwirtschaftlichen Betrieben, für die Nutzung durch Gäste von Hotels, Pensionen und ähnlichen Unterkünften,
 - Bed & Breakfast (B&B),
 - Catering-Dienste und ähnliche, nicht kommerzielle Zwecke.
- Um eine sichere Konservierung des Weins zu gewährleisten, halten Sie sich bitte an diese Gebrauchsanweisung.
- Einzelheiten über die Gerätebereiche, die je nach Temperaturverteilung in den verschiedenen Fächern am besten für die Lagerung bestimmter Lebensmittel geeignet sind, finden Sie im anderen Teil der Anleitung.

Änderungen oder Anpassungen am Gerät sind nicht erlaubt. Eine unbeabsichtigte Verwendung kann zu Gefahren und zum Verlust von Garantieansprüchen führen.

Entsorgung



Das  Symbol auf dem Produkt oder auf der Verpackung weist darauf hin, dass es nicht als Hausmüll behandelt werden darf. Stattdessen sollte es an die zuständige Sammelstelle für das Recycling von Elektro- und Elektronik-Altgeräten übergeben werden. Bitte stellen Sie sicher, dass das Produkt nach seiner Außerbetriebnahme ordnungsgemäß entsorgt wird. Damit tragen Sie dazu bei, gesundheits- und umweltschädigende Auswirkungen zu verhindern, die eine nicht korrekte Entsorgung am Ende der Nutzungsdauer zur Folge haben könnte. Für weitere Informationen über das Recycling dieses Produkts wenden Sie sich bitte an Ihre örtlich zuständige Behörde, Ihr Müllabfuhrunternehmen oder an das Geschäft, in dem Sie das Produkt erworben haben.

Da brennbare Isolationsblasgase verwendet werden, wenden Sie sich bitte an den Fachtechniker oder unseren Kundendienst, um das Gerät zu entsorgen.

WARNUNG!

Erstickungsgefahr!

Kältemittel und Gase müssen fachgerecht entsorgt werden. Überprüfen Sie, dass der Schlauch des Kühlkreislaufs nicht beschädigt wird, bevor er ordnungsgemäß entsorgt wird. Trennen Sie das Gerät von der Stromversorgung. Trennen Sie das Netzkabel und entsorgen Sie es. Entfernen Sie die Bleche und Schubladen sowie die Türöffnung und Dichtungen, um zu verhindern, dass Kinder und Haustiere im Gerät eingeschlossen werden.

- ▶ **WARNUNG:** Trennen Sie das Gerät vor der Reinigung von der Stromversorgung.
- ▶ Reinigen Sie das Gerät nicht mit harten Bürsten, Drahtbürsten, Reinigungspulver, Benzin, Amylacetat, Aceton und ähnlichen organischen Lösungen, Säure oder Alkalilösungen. Bitte reinigen Sie das Gerät mit einem speziellen Reinigungsmittel für Kühlgeräte, um Beschädigungen zu vermeiden.
- ▶ Reinigen Sie das Gerät, wenn nur wenig oder kein Wein gelagert wird. Das Gerät muss nur dann gereinigt werden, wenn es schmutzig ist.
- ▶ Reinigen Sie das Innere und das Gehäuse des Gerätes mit einem Schwamm, der mit warmem Wasser und einem neutralen Reinigungsmittel angefeuchtet wurde.
- ▶ Mit sauberem, warmen Wasser abspülen und mit einem weichen Tuch trocknen.
- ▶ Reinigen Sie Geräteteile nicht in einer Geschirrspülmaschine.
- ▶ Warten Sie vor dem Neustart mindestens 7 Minuten, da häufiges Einschalten den Kompressor beschädigen kann.



Reinigen Sie die Türdichtung:

- ▶ Die Türdichtungen sollten alle 3 Monate gereinigt werden, um eine ordnungsgemäße Abdichtung zu gewährleisten. Wie unten: Entfernen: Fassen Sie die Türdichtung und ziehen Sie sie entsprechend der Pfeilrichtung heraus, um die gesamte Türdichtung der Reihe nach zu entfernen.

Tauchen Sie die Bürste in Wasser oder lebensmittelechtem Alkohol ein, reinigen Sie zuerst die Türdichtungsnut, indem Sie die Bürste hin- und herziehen. Wischen Sie dann die Türdichtung mit einem Tuch ab, das mit Wasser oder Alkohol in Lebensmittelqualität getränkt wurde. Reinigen Sie die Türdichtung und reiben Sie sie mit einem sauberen Tuch trocken.



Montage der Türdichtung nach der Reinigung:

Vergewissern Sie sich, dass sich vor der Installation kein Wasser auf der Türdichtung befindet. Setzen Sie die Türdichtung in die Nut ein und drücken Sie die Türdichtung von oben nach unten fest an, bis die gesamte Türdichtung in die Nut eingeführt ist.

Reinigen der Einlegeböden:

- ▶ Alle Einlegeböden können zur Reinigung herausgenommen werden.
- ▶ Alle Flaschen herausnehmen.
- ▶ Heben Sie jeden Einlegeboden ein wenig an und nehmen Sie ihn heraus.
- ▶ Reinigen Sie den Einlegeboden mit einem weichen Tuch.
- ▶ Warten Sie, bis die Einlegeböden trocken sind, bevor Sie sie wieder einsetzen.

WARNUNG:

Warten Sie nach dem Ausschalten mindestens 7 Minuten, bevor Sie den Netzstecker wieder einstecken.

Überprüfen Sie Zubehör und Dokumentation gemäß dieser Liste:
ohne Isolation.

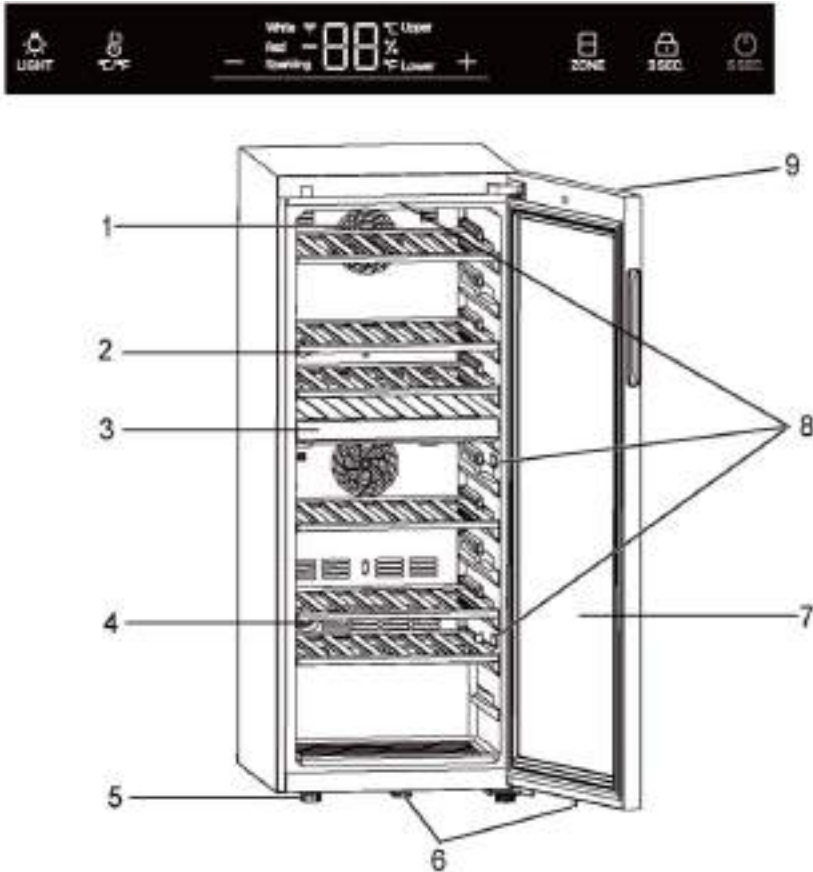
Name	Benutzerhandbuch	Servicekarte	Einlegeboden	Kleiner Einlegeboden	Scharnierabdeckung	Energie-Kennzeichnung	Taste	Linker Nocken der Tür Bedienungsanleitung
HWS77GDAU1	1	1	6	1	1	1	2	2
HWS42GDAU1	1	1	3	1	1	1	2	2



Hinweis

Aufgrund von technischen Änderungen und unterschiedlichen Modellen können einige der Abbildungen in dieser Anleitung von Ihrem Modell abweichen.

Geräteabbildung



- | | |
|----------------------|-------------------------------|
| 1. Ventilator | 6. Sperren |
| 2. Einlegeboden | 7. Tür |
| 3. Mittlerer Boden | 8. LED-Lampe |
| 4. Aktivkohlefilter | 9. Anzeige (vorne an der Tür) |
| 5. Verstellbare Füße | |

1. Auspacken

- ▶ Nehmen Sie das Gerät aus der Verpackung.
- ▶ Entfernen Sie alle Verpackungsmaterialien, einschließlich des Schaumstoffbodens und des Klebbandes, auf dem das Zubehör befestigt ist.

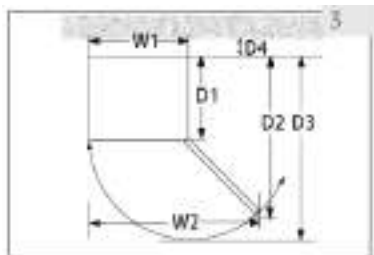
2. Umgebungsbedingungen

Die Raumtemperatur sollte immer zwischen 10 °C und 38 °C liegen, da sie einen Einfluss auf die Temperatur im Inneren des Geräts und den Energieverbrauch hat. Das Gerät nicht in der Nähe anderer wärmeemittierender Geräte (Ofen, Kühlschränke) installieren.

3. Platzbedarf

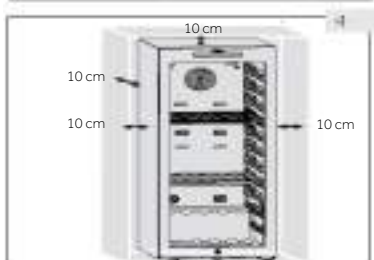
Erforderlicher Platz zum Öffnen der Tür (Abb. 3):

Breite in mm		Tiefe in mm			Abstand zur Wand in mm
W1	W2	D1	D2	D3	D4
495	630	535	1033	1047	100



4. Lüftungsraum

Aus Sicherheits- und Energiegründen ist der erforderliche Lüftungsabstand von 10 cm in alle Richtungen einzuhalten (Abb. 4).



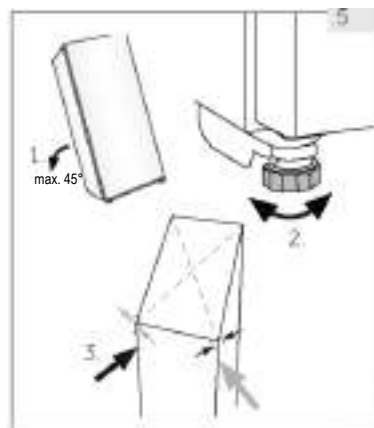
WARNUNG!

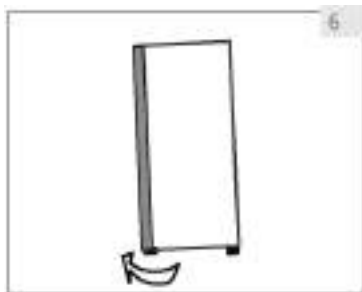
- ▶ Lüftungsschlitze am Gerät oder in der Einbaustruktur freihalten.

5. Geräteausrichtung

Das Gerät sollte auf einer flachen und festen Oberfläche aufgestellt werden.

1. Das Gerät leicht nach hinten neigen (Abb. 5).
2. Stellen Sie die verstellbaren Vorderfüße durch Drehen auf die gewünschte Höhe ein.
3. Die Stabilität kann durch abwechselndes Anschlagen gegen die Diagonalen überprüft werden. Das leichte Schwanken sollte in beide Richtungen gleich sein. Andernfalls kann sich der Rahmen verziehen; mögliche undichte Türdichtungen sind die Folge. Eine geringe Neigung nach hinten erleichtert das Schließen der Tür.



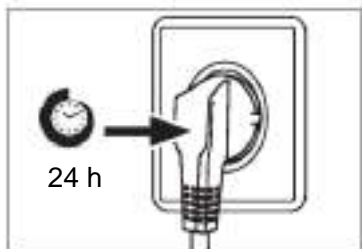


6. Feinabstimmung der Tür

Das Gerät schließt sich leichter, wenn die Nivellierfüße an der Vorderseite verwendet werden:

Drehen Sie die verstellbaren Füße (Abb. 6), um sie nach oben oder unten zu verstellen:

- ▶ Durch Drehen der Füße im Uhrzeigersinn wird das Gerät angehoben.
- ▶ Durch Drehen der Füße gegen den Uhrzeigersinn, wird das Gerät abgesenkt.



7. Wartezeit

Das wartungsfreie Schmieröl befindet sich in der Kapsel des Kompressors. Dieses Öl kann beim Transport durch das geschlossene Rohrsystem gelangen, wenn das Gerät gekippt wird. Warten Sie 24 Stunden, bevor Sie das Gerät an die Stromversorgung anschließen, (Abb. 7), damit das Öl wieder in die Kapsel zurückfließt.

8. Elektrischer Anschluss

Überprüfen Sie vor jeder Verbindung, dass:

- ▶ die Stromversorgung, Steckdose und Sicherung den Angaben auf dem Typenschild entsprechen.
- ▶ die Steckdose geerdet ist und kein Mehrfachstecker oder Verlängerungskabel vorhanden ist.
- ▶ Netzstecker und Steckdose richtig zusammenpassen.

Schließen Sie den Stecker an eine ordnungsgemäß installierte Haushaltssteckdose an.



WARNUNG!

Um Gefahren zu vermeiden, muss ein beschädigtes Netzkabel vom Kundenservice ausgetauscht werden (siehe Garantiekarte).

9. Reversibilität der Tür

Bevor Sie das Gerät an die Stromversorgung anschließen, sollten Sie prüfen, ob der Türanschlag von rechts (nach der Lieferung) nach links gewechselt werden muss, wenn der Installationsort und die Nutzbarkeit dies erfordern.

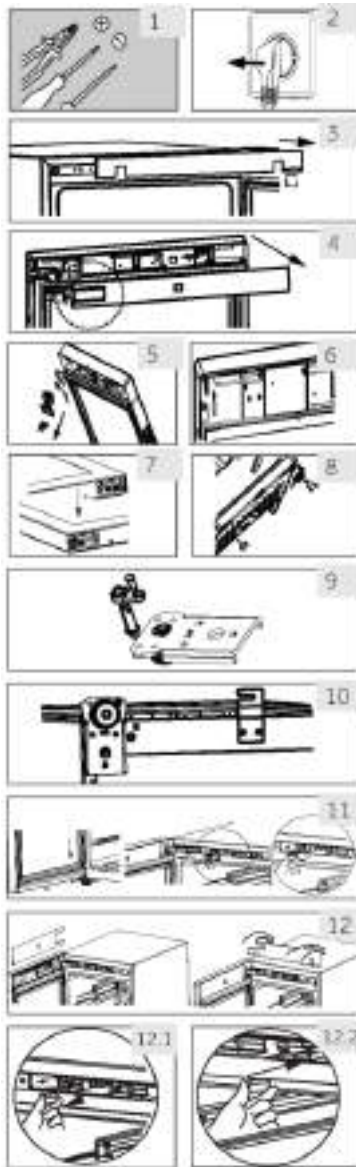


WARNUNG!

- ▶ Das Gerät ist schwer. Sie benötigen zwei Personen, um die Reversibilität der Tür auszuführen.
- ▶ Vor dem Eingriff müssen Sie zuerst den Gerätestecker aus der Steckdose ziehen.
- ▶ Das Gerät nicht um mehr als 45 ° kippen, um Schäden am Kühlsystem zu vermeiden.

Montageschritte

1. Das notwendige Werkzeug bereitstellen.
2. Ziehen Sie den Netzstecker des Gerätes.
3. Die Tür öffnen, die vordere Leiste abnehmen und die entsprechende Leiste finden, um die linke Seite zu entfernen und auf der rechten Seite des Spalts zu platzieren.
4. Ziehen Sie das Anschlusskabel aus der Steckdose. Ziehen Sie den oberen Teil der Türdichtung heraus und nehmen Sie die hintere Leiste ab. (Von der linken Seite der Öffnung entfernen)
5. Lösen Sie die 2 Schrauben am oberen Scharnier.
6. Entfernen Sie Deckel und Scharnier, nehmen Sie die Achsabdeckung ab und montieren Sie sie auf der anderen Seite, dann das Scharnier auf der Achse installieren.
7. Entfernen Sie die Nocke und verschieben Sie den Türhalter auf eine andere Seite der Tür. Installieren Sie die neue Nocke aus der Tüte.
8. Schrank gekippt (weniger als 45°), entfernen Sie das untere Scharnier (3 Schrauben) für die Sicherung.
9. Lösen Sie die untere Scharniernocke und Scharnierwelle. Montieren Sie die Welle auf der rechten Seite des unteren Scharniers. Nehmen Sie die Nocke aus dem Beutel mit Gebrauchsanweisung und montieren Sie sie auf der unteren Scharnierwelle.
10. Montieren Sie das untere Scharnier und den unteren Fuß auf der anderen Seite des Schanks. Die Nocken schmieren.
11. Montieren Sie die Tür an der unteren Scharnierwelle und befestigen Sie das obere Scharnier mit zwei Schrauben am Schrank. Befestigen Sie die Signaldrähte in der Mitte der oberen Scharniernut und nehmen Sie die Scharnierabdeckung aus dem Beutel mit Gebrauchsanweisung und befestigen Sie sie am oberen Scharnier.
12. Montieren Sie die Türdichtung und die Türleiste an der Tür. Stecken Sie die zwei Türsignalkabel ein, verschieben Sie den Magnetschalter (12.1) in den rechten Befestigungsschlitz (12.2) des oberen Strahlkastens und befestigen Sie die Frontblende des Schanks.
13. Stellen Sie sicher, dass die Tür bequem geöffnet und geschlossen werden kann.



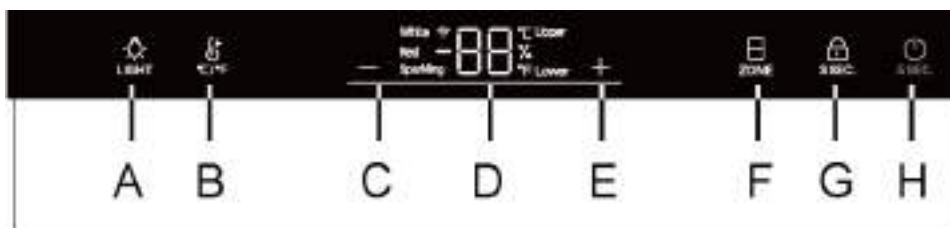
1. Vor der ersten Inbetriebnahme

- ▶ Entfernen Sie alle Verpackungsmaterialien. Dazu gehören der Schaumstoffboden und das gesamte Klebeband, mit dem die Zubehörteile des Weinklimaschranks innen und außen befestigt werden. Bewahren Sie sie außerhalb der Reichweite von Kindern auf und entsorgen Sie sie auf umweltfreundliche Weise.
- ▶ Reinigen Sie das Gerät innen und außen mit Wasser und einem milden Reinigungsmittel, bevor Sie Wein hineinlegen.
- ▶ Warten Sie nach dem Nivellieren und Reinigen mindestens 2 Stunden, bevor Sie das Gerät an die Stromversorgung anschließen. Wenn Ihr Weinklimaschrank aus irgendeinem Grund gekippt wurde, warten Sie 24 Stunden, bevor Sie ihn an die Stromversorgung anschließen. Siehe Abschnitt INSTALLATION.
- ▶ Sobald Sie das Gerät an eine Steckdose angeschlossen haben, lassen Sie es mindestens 30 Minuten laufen, um sich zu akklimatisieren, bevor Sie Anpassungen vornehmen.
- ▶ Die Temperatur wird automatisch auf 12 °C eingestellt. Sie können die Temperatur auch manuell ändern. Siehe Abschnitt TEMPERATUR.

2. Berührungstasten

Die Tasten auf dem Bedienfeld sind Berührungstasten, die bei leichter Berührung mit dem Finger ansprechen.

3. Beschreibung des Bedienfelds



- | | | | |
|---|----------------------------------|---|---------------------------------|
| A | Innenbeleuchtung/WLAN-Taste | E | Temperaturanpassungstaste: oben |
| B | °C/°F Konvertierungstaste | F | Auswahl der Temperaturzone |
| C | Temperaturanpassungstaste: unten | G | Verriegelungstaste |
| D | Anzeige | H | Einschalttaste |

4. Automatische Verriegelungsfunktion

Das Bedienfeld verriegelt sich automatisch 30 Sekunden nach seiner Aktivierung, nach jedem Tastendruck, das Licht ist eingeschaltet. Um die Tastensperre zu aktivieren, drücken Sie 3 Sekunden lang die Taste. Wenn sie gesperrt ist, werden die hintergrundbeleuchteten LED-Leuchten gedimmt. Taste A ist nicht gesperrt.

5. Einschalttasten-Funktion

Wenn das Display entsperrt ist, drücken Sie die Taste H für 5 Sekunden, der Weinklimaschrank schaltet den Strom ab. Drücken Sie dann die Taste H für 5 Sekunden/der Weinklimaschrank schaltet sich ein. Wenn das Display verriegelt ist, kann die Taste H nicht betätigt werden.

6. Temperatureinstellung





Hinweis

Voreinstellungen



- ▶ Sobald Sie das Gerät an eine Steckdose angeschlossen haben, lassen Sie das Gerät mindestens 30 Minuten laufen, um sich zu akklimatisieren, bevor Sie Anpassungen vornehmen.
- ▶ Wenn das Gerät, nachdem es von der Hauptstromversorgung getrennt wurde, eingeschaltet wird, kann es mehrere Stunden dauern, bis die richtigen Temperaturen erreicht sind. Die genaue Zeit variiert je nach Umgebung und Temperatureinstellung.

1. Auswahl der Temperaturzone

Im Entriegelungsstatus ist das  Symbol voll eingeschaltet. Befindet sich die aktuelle Anzeige im oberen Temperaturbereich, wird das Oben-Symbol eingeschaltet und das Unten-Symbol wird ausgeschaltet. Drücken Sie an dieser Stelle die  Taste, das Unten-Symbol wird eingeschaltet und das Oben-Symbol wird ausgeschaltet.

2. Temperatureinstellung

Im Entriegelungsstatus lässt sich die Temperatur der oberen Temperaturzone einstellen, wenn das „Oben“-Symbol eingeschaltet ist.

Drücken Sie auf  oder , wenn das „Oben“-Symbol leuchtet, um die Temperatur zu erhöhen oder zu senken. Sobald die gewünschte Temperatur erreicht ist, drücken Sie die Taste. Danach ist die Temperatureinstellung abgeschlossen und 3 Sekunden später hört der Temperaturanzeigebereich auf zu blinken. Die Temperaturanzeige zeigt die aktuelle Temperatur an.

Der Temperaturbereich liegt zwischen 5 und 20 Grad.

Wenn das „Unten“-Symbol eingeschaltet ist, kann die Temperatur im unteren Temperaturbereich eingestellt werden

Empfohlene Temperatureinstellungen

Die folgenden Trinktemperaturen werden für die verschiedenen Weinsorten empfohlen.

Rotwein	+ 13°C bis +20°C (+55°F bis + 68°F)	Schaumwein Prosecco	+5°C bis +8°C (+41°F bis +47°F)
Weißwein	+9°C bis +12°C (+48°F bis +54°F)		



Wenn Sie Wein über einen längeren Zeitraum lagern, sollte er bei einer Temperatur zwischen +10°C und +12°C (50°F und +54°F) gelagert werden.

7. Standby-Modus

Der Bildschirm wird automatisch 30 Sekunden gedimmt.

Er leuchtet automatisch auf, wenn eine Taste berührt oder die Tür geöffnet wird.

8. Einstellung der Beleuchtungsart

Drücken Sie die  Taste. Wenn die Lampen im Schrank eingeschaltet sind, leuchten sie nach und nach auf. Sobald die  Taste erneut gedrückt wird, werden die Lichter nach und nach ausgeschaltet.



Hinweis Auswirkungen auf die Temperaturen

Die Temperatur im Geräteinnenraum wird durch folgende Faktoren beeinflusst:

- ▶ Umgebungstemperatur
- ▶ Menge der gelagerten Flaschen
- ▶ Häufigkeit der Türöffnung
- ▶ Standort des Geräts

Die Standardeinstellung beträgt 12 °C

Wenn die Anzeige das Blinken einstellt, zeigt sie wieder die aktuelle Temperatur im Inneren des Weinklimaschranks an. Es dauert einige Zeit, bis die eingestellte Temperatur erreicht ist.

9. °C/°F-Funktion



Drücken Sie die  Taste, um zwischen Fahrenheit und Celsius zu wechseln.

10. Ausschalt Speicher-Funktion

Bei einem Stromausfall speichert das Gerät automatisch die eingestellte Temperatur. Nach Wiederherstellung der Stromversorgung wird diese auf Basis der vor dem Stromausfall eingestellten Temperatur ausgeführt.


11. Niedrigtemperatur-Kompensationsfunktion

Der Weinklimaschrank hat eine Niedrigtemperatur-Kompensationsfunktion, um die Stabilität der Temperatur zu gewährleisten: Liegt die Umgebungstemperatur unter der Soll-Temperatur, startet der Weinklimaschrank bei niedriger Temperatur automatisch die Kompensationsfunktion, um die Anwendung zu erwärmen. Erreicht die Temperatur in der Anwendung die Soll-Temperatur, wird die Niedrigtemperatur-Kompensationsfunktion automatisch ausgeschaltet.

12. Türöffnungsalarm

Wenn die Tür länger als 1 Minuten geöffnet bleibt, ertönt ein akustisches Signal, um einen Alarm auszulösen, bis die Tür geschlossen wird oder eine Taste auf dem Display betätigt wird, damit das akustische Signal verstummt.

13. Luftfeuchtigkeitsanzeige

Drücken Sie die Taste  für 3 Sekunden, der Anzeigebereich zeigt die Luftfeuchtigkeit an. Durch Drücken der anderen Tasten erlischt die Anzeige der Luftfeuchtigkeit.

14. WLAN-Moduseinstellung

KONNEKTIVITÄT

WLAN-PARAMETER

Technologie	WLAN	Bluetooth
Standard	IEEE 802.11 b/g/n	Bluetooth v4.2, BR/EDR, BLE
Frequenzbandbereich(e) [MHz]	2401÷2483	2402÷2480
Maximale Leistung [mW] Bandbereich(e) [MHz]	100	10

PRODUKTINFORMATIONEN

So aktivieren Sie das WLAN-Modul:

- Drücken Sie die Leuchttaste 3 Sekunden lang, um die
- Das WLAN-Modul wird eingeschaltet und das WLAN-Symbol beginnt zu blinken
- Wenn der Weinklimaschrank angemeldet ist, aber das WLAN ausgeschaltet ist, blinkt das Symbol
- Wenn der Weinklimaschrank angemeldet und angeschlossen ist, ist das WLAN-Symbol immer eingeschaltet
- Zum Zurücksetzen des WLANs drücken Sie das die Leuchte 3 Sekunden lang

KOPPELUNGSVORGANG IN DER APP

Schritt 1

- Laden Sie die HON-App aus den Stores herunter



Schritt 2

- Einloggen oder Anmelden



Schritt 3

- Fügen Sie ein neues Gerät hinzu, indem Sie den Weinklimaschrank aus der Liste auswählen



Schritt 4

- Scannen Sie den QR oder fügen Sie manuell die Seriennummer ein



Schritt 5

- Drücken Sie die Leuchttaste am Gerät für 3 Sekunden, um das WLAN zu aktivieren



Schritt 6

- Das WLAN-Symbol blinkt, der Koppelvorgang läuft
- Sie haben 5 Minuten Zeit, um den Koppelvorgang abzuschließen
- Wenn der Vorgang abgeschlossen ist, stellt das WLAN-Symbol das Blinken ein und bleibt immer eingeschaltet

HINWEIS





Tipps zum Energiesparen

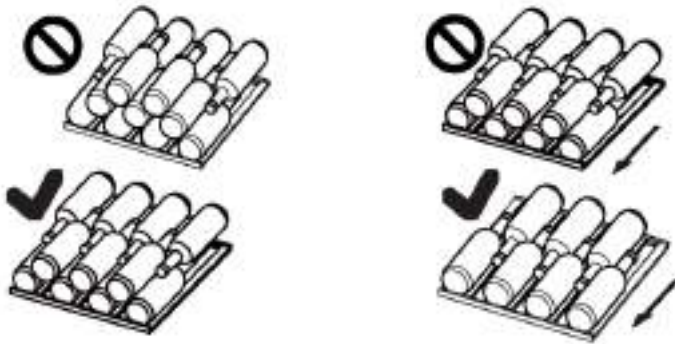
- ▶ Stellen Sie sicher, dass das Gerät ordnungsgemäß belüftet ist (siehe INSTALLATIONEN).
- ▶ Stellen Sie das Gerät nicht in direktem Sonnenlicht oder in der Nähe von Hitzequellen (z. B. Herden, Herden) auf.
- ▶ Vermeiden Sie unnötig niedrige Temperaturen im Gerät. Je niedriger die im Gerät eingestellte Temperatur, umso höher der Energieverbrauch.
- ▶ Öffnen Sie die Gerätetür so wenig und so kurz wie möglich.
- ▶ Überschreiten Sie nicht die festgelegte Anzahl an Flaschen, um den Luftstrom nicht zu behindern.
- ▶ Halten Sie Türdichtungen sauber, damit die Tür immer richtig schließt.

1. Einlegeböden


1. Die Einlegeböden sind für eine einfache Aufbewahrung und ein einfaches Herausnehmen des Weins ausgelegt. Sie können mit einem weichen Tuch gereinigt werden.
2. Reguläre Flaschen mit einem Durchmesser von 76 mm können gestapelt werden.
3. Magnum-Flaschen können im unteren Einlegeboden gestapelt werden.
4. Die Menge kann von der angegebenen Anzahl bzw. den Flaschen abweichen, wenn diese auf eine andere Weise gestapelt wurden.

Ratschläge für die Gestaltung Ihres Weinklimaschranks

Wir empfehlen, dass die Anzahl der Weinflaschen nicht mehr als zwei Schichten pro Einlegeboden betragen sollte und dass die Tragkraft der Weineinlegeböden 20 kg nicht übersteigen sollte. Vor dem Einfügen der Flaschen in den Weinklimaschrank müssen Sie sich vergewissern, dass die Weineinlegeböden vollständig stabil sind. Vergewissern Sie sich außerdem, dass keine Flasche aus den Einlegeböden herausragt, um zu vermeiden, dass Flaschen beim Schließen gegen die Glastür schlagen.



2. Das Licht

Die LED-Innenbeleuchtung leuchtet, wenn die Tür geöffnet wird. Um das Licht beim Schließen der Tür einzuschalten, drücken Sie die  Taste. Zum Ausschalten der Lichter drücken Sie die Taste erneut. Um die Energieeffizienz zu erhöhen, sollten die Lichter ausgeschaltet werden, wenn Sie nicht in den Weinklimaschrank sehen.

3. Die Sperre

Zum Verriegeln des Weinklimaschranks schließen Sie die Tür und stecken Sie den Schlüssel in das Schloss:

- ▶ Verriegeln Sie die Tür, indem Sie die Taste gegen den Uhrzeigersinn drehen.
- ▶ Entriegeln Sie die Tür, indem Sie die Taste im Uhrzeigersinn drehen.

1. Abtauen

Das Abtauen des Weinklimaschranks erfolgt automatisch, es ist keine manuelle Tätigkeit erforderlich.

2. Austausch der LED-Leuchte

Die Leuchte nutzt als Lichtquelle eine LED mit geringem Energieverbrauch und langer Lebensdauer. Bei Anomalien wenden Sie sich bitte an den Kundenservice. Siehe KUNDENSERVICE.



WARNUNG!

Ersetzen Sie die LED-Leuchte nicht selbst. Sie darf nur vom Hersteller oder von einem autorisierten Service-Mitarbeiter ausgetauscht werden.

Parameter der LED-Leuchte:

Spannung 12 V; max. Leistung: 8W (für HWS77GDAU1)

Spannung 12 V; Max. Leistung: 5W (für HWS42GDAU1)

3. Nichtverwendung für einen längeren Zeitraum

Das Netzkabel abziehen.

Reinigen Sie das Gerät und die Türdichtungen wie oben beschrieben.

Halten Sie die Tür offen, um zu verhindern, dass sich schlechte Gerüche bilden.

4. Verstellen des Gerätes

1. Nehmen Sie alle Flaschen heraus und ziehen Sie den Gerätestecker.

2. Fixieren Sie die Einlegeböden und andere bewegliche Teile im Weinklimaschrank mit Klebeband.

3. Den Weinklimaschrank um maximal 45° kippen, um eine Beschädigung des Kühlsystems zu vermeiden.

5. Luftaustausch mit Aktivkohlefilter

Die Art und Weise, wie die Weine weiterhin reifen, hängt von den Umgebungsbedingungen ab. Daher ist die Luftqualität entscheidend für die Konservierung des Weins. Im unteren Bereich der Geräterückwand wurde ein Aktivkohlefilter eingebaut, um Rückstände optimal filtern zu können



Hinweis

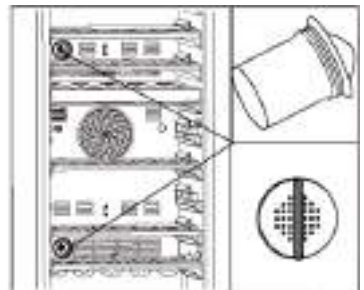
Wir empfehlen, den Filter einmal pro Jahr austauschen. Filter erhalten Sie bei Ihrem Händler.

Filterwechsel:

Den Filter am Griff anfassen. Den Filter nach links drehen und entfernen.

Filter einsetzen:

Mit dem Griff senkrecht einsetzen. Den Filter nach rechts und einfügen.



Viele auftretende Probleme können von Ihnen selbst ohne spezifische Fachkenntnisse gelöst werden. Bei Problemen prüfen Sie bitte alle angezeigten Möglichkeiten und befolgen Sie die nachstehenden Anweisungen, bevor Sie einen Kundenservice kontaktieren. Siehe KUNDENSERVICE.



WARNUNG!

- ▶ Das Gerät vor der Wartung deaktivieren und den Netzstecker aus der Steckdose ziehen.
- ▶ Elektrische Geräte sollten nur von qualifizierten Fachelektrikern repariert werden, da unsachgemäße Reparaturen erhebliche Folgeschäden verursachen können.
- ▶ Eine beschädigte Lieferung sollte nur vom Hersteller, von seinem Service-Mitarbeiter oder einer gleichwertig qualifizierten Person ausgetauscht werden, um jegliches Risiko zu vermeiden.

Fehlercode	Ursache	Lösung
rH	Das Gerät erzeugt eine Hochtemperaturwarnung, wenn die Temperatur des oberen Faches 3 Stunden lang eine Temperatur von über 25 °C betrug.	Umgebungstemperatur zu hoch. Die Gerätebetriebstemperatur sollte zwischen 10 °C und 38 °C liegen.
rL	Der Kompressor schaltet den Betrieb aus, wenn die Temperatur unter 0 °C liegt. Die Niedertemperaturwarnung wird erzeugt, wenn die Temperatur 2 Stunden lang unter 0 °C liegt.	Umgebungstemperatur zu niedrig. Die Gerätebetriebstemperatur sollte zwischen 10 °C und 38 °C liegen.

Problem	Mögliche Ursachen	Mögliche Behebung
Der Kompressor funktioniert nicht.	<ul style="list-style-type: none"> • Der Netzstecker ist nicht an die Steckdose angeschlossen. 	<ul style="list-style-type: none"> • Netzstecker anschließen.
Das Gerät läuft häufig oder zu lange.	<ul style="list-style-type: none"> • Die Außentemperatur ist zu hoch. • Das Gerät wurde über einen längeren Zeitraum ausgeschaltet. • Eine Gerätetür wurde nicht richtig geschlossen. • Die Tür wurde zu häufig oder zu lange geöffnet. • Die Türdichtungen sind verschmutzt, verschlissen, gerissen oder verrutscht. • Die erforderliche Luftzirkulation ist nicht gewährleistet. • Temperatur zu niedrig eingestellt. 	<ul style="list-style-type: none"> • In diesem Fall ist es normal, dass das Gerät länger läuft. • Normalerweise dauert es eine Weile, bis das Gerät vollständig abgekühlt ist. • Tür schließen und sicherstellen, dass das Gerät auf einem ebenem Untergrund steht und dass keine Lebensmittel oder Behälter gegen die Tür stoßen. • Tür nicht zu häufig öffnen. • Die Türdichtung reinigen oder vom Kundenservice ersetzen lassen. • Für ausreichende Belüftung sorgen. • Das Problem löst sich von selbst, sobald die gewünschte Temperatur erreicht ist.
Das Innere des Weinklimaschranks ist schmutzig und/oder übelriechend.	<ul style="list-style-type: none"> • Das Innere des Weinklimaschranks muss gereinigt werden. 	<ul style="list-style-type: none"> • Das Innere des Weinklimaschranks reinigen.
Das Innere des Geräts ist nicht kalt genug.	<ul style="list-style-type: none"> • Temperatur zu hoch eingestellt. • Flaschen wurden erst kürzlich hinzugefügt. • Eine Gerätetür wurde nicht richtig geschlossen. • Die Tür wurde zu häufig oder zu lange geöffnet. • Die Türdichtungen sind verschmutzt, verschlissen, gerissen oder verrutscht. 	<ul style="list-style-type: none"> • Temperatur zurücksetzen. • Lassen Sie den kürzlich hinzugefügten Flaschen Zeit, die gewünschte Temperatur zu erreichen. • Tür schließen. • Tür nicht zu häufig öffnen. • Die Türdichtung reinigen oder vom Kundenservice ersetzen lassen.
Das Innere des Geräts ist zu kalt.	<ul style="list-style-type: none"> • Temperatur zu niedrig eingestellt. 	<ul style="list-style-type: none"> • Temperatur zurücksetzen.
Feuchtigkeitsbildung im Innern des Kühlfachs.	<ul style="list-style-type: none"> • Das Klima ist zu warm und zu feucht. • Eine Gerätetür wurde nicht richtig geschlossen. • Die Tür wurde zu häufig oder zu lange geöffnet. 	<ul style="list-style-type: none"> • Temperatur erhöhen. • Tür schließen. • Tür/Schublade nicht zu häufig öffnen.

Problem	Mögliche Ursachen	Mögliche Behebung
An der Außenfläche des Weinklimaschranks sammelt sich Feuchtigkeit an.	<ul style="list-style-type: none"> • Das Klima ist zu warm und zu feucht. • Tür nicht richtig geschlossen. Die kalte Luft im Gerät und die warme Außenluft kondensieren. 	<ul style="list-style-type: none"> • Das ist bei feuchtem Klima normal und ändert sich, wenn die Feuchtigkeit abnimmt. • Achten Sie darauf, dass die Tür dicht verschlossen ist und die Dichtungen richtig abdichten.
Das Gerät macht anormale Geräusche	<ul style="list-style-type: none"> • Das Gerät befindet sich nicht auf einem ebenen Untergrund. • Das Gerät berührt einige Gegenstände um es herum. 	<ul style="list-style-type: none"> • Füße einstellen, um das Gerät zu nivellieren. • Die Gegenstände um das Gerät herum entfernen.
Es ist ein leichtes Geräusch zu hören, ähnlich wie dem von fließendem Wasser.	<ul style="list-style-type: none"> • Das ist normal 	<ul style="list-style-type: none"> • -
Die Innenbeleuchtung oder das Kühlsystem funktioniert nicht.	<ul style="list-style-type: none"> • Der Netzstecker ist nicht an die Steckdose angeschlossen. • Die Stromversorgung ist nicht intakt. • Die LED-Leuchte ist defekt. 	<ul style="list-style-type: none"> • Netzstecker anschließen. • Die Stromversorgung des Raums überprüfen. Den örtlichen Stromversorger anrufen. • Bitte rufen Sie den Kundenservice an, um Änderungen vorzunehmen.
Die Seitenwände des Kühlgeräts und die Türleiste werden warm	<ul style="list-style-type: none"> • Das ist normal. 	<ul style="list-style-type: none"> • -
Die Tür schließt nicht richtig	<ul style="list-style-type: none"> • Das Gerät steht nicht gerade. • Tür blockiert. 	<ul style="list-style-type: none"> • Das Gerät mit den Nivellierfüßen ausrichten. • Auf Blockierungen wie Flaschen oder Einlegeböden prüfen.

Produktdatenblatt gemäß EU-Nr. 1060/2010

Marke	Haier	Haier
Modellname / Kennung	HWS42GDAU1	HWS77GDAU1
Nenninhalt der Flasche	42	77
Haushaltskühlgeräte Kategorie	2	2
Energieeffizienzklasse	A	A
Jährlicher Energieverbrauch (kWh/Jahr) ¹⁾	142	152
Speichervolumen (L)	106	190
Klimaklasse: Dieses Gerät ist für die Verwendung bei einer Umgebungstemperatur zwischen 10 °C und 38 °C ausgelegt.	S N N ST	S N N ST
Luftschall-Lärmemissionen (db (A) re 1pW)	37	37
Gerätetyp	Freistehend	Freistehend
Dieses Gerät ist ausschließlich für die Weinlagerung bestimmt.	Ja	Ja
Abmessungen (T/B/H in mm)	585/497/820	585/497/1270

Erläuterungen:

1) basierend auf Standard-Testergebnissen für 24 Stunden. Der tatsächliche Energieverbrauch hängt von der aktuellen Umgebung, der Anzahl an Flaschen, der eingestellten Temperatur, dem Öffnen und Schließen der Tür, usw. ab

2) Die Nennleistungsaufnahme ist der Wert, der gemäß der Standardprüfung ermittelt wird, wenn das Innenlicht des Weinklimaschranks nicht eingeschaltet ist.

11.3 Normen und Richtlinien

Dieses Produkt erfüllt die Anforderungen aller geltenden EG-Richtlinien mit den entsprechenden harmonisierten Normen, die eine CE-Kennzeichnung vorsehen.

Wir empfehlen unseren Haier Kundenservice und die Verwendung von Original-Ersatzteilen. Wenn Sie Probleme mit dem Gerät haben, lesen Sie bitte zuerst den Abschnitt „FEHLERBEHEBUNG“.

Wenn Sie dort keine Lösung finden, wenden Sie sich bitte an

- ▶ Ihren Händler vor Ort oder
- ▶ den Abschnitt Service & Support unter www.haier.com, wo Sie Telefonnummern und FAQs finden und wo Sie den Service-Anspruch aktivieren können.

Um unseren Service zu kontaktieren, stellen Sie sicher, dass Sie die folgenden Daten zur Hand haben.

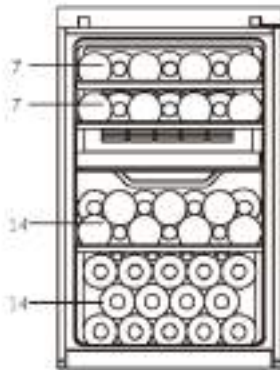
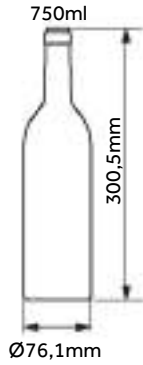
Die Informationen finden Sie auf dem Typenschild.

Modell _____ Seriennummer _____

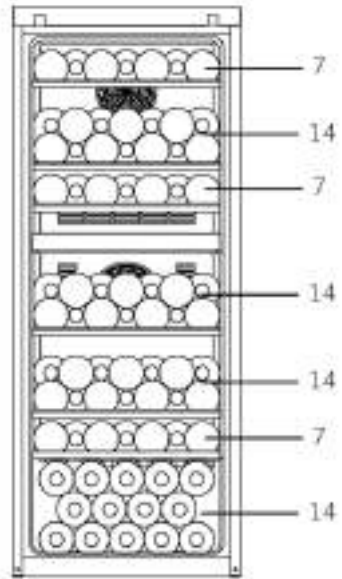
Prüfen Sie im Garantiefall auch die mit dem Produkt mitgelieferte Garantiekarte.

Für allgemeine Geschäftsanfragen finden Sie unten unsere Adressen in Europa:

Haier-Standorte in Europa			
Land*	Postanschrift	Land	Postanschrift
Italien	Haier Europe Trading SRL Via De Cristoforis, 12 21100 Verese ITALIEN	Frankreich	Haier France SAS 3-5 rue des Gravieres 92200 Neuilly sur Seine FRANKREICH
Spanien Portugal	Haier Iberia SL Pg. Garcia Faria, 49-51 08019 Barcelona SPANIEN	Belgien-FR Belgien-NL Niederlande Luxemburg	Haier Benelux SA Anderlecht Route de Lennik 451 BELGIEN
Deutschland Österreich	Haier Deutschland GmbH Hewlett-Packard-Str. 4 D-61352 Bad Homburg DEUTSCHLAND	Polen Tschechien Ungarn Griechenland Rumänien Russland	Haier Poland Sp. zo.o. Al. Jerozolimskie 181B 02-222 Warszawa POLEN
Vereinigtes Königreich	Haier Appliances UK Co. Ltd. One Crown Square Church Street East Woking, Surrey, GU21 6HR UK		



HWS42GDAU1
(42)



HWS77GDAU1
(77)



Manuel
d'utilisation

Cave à vin

HWS77GDAU1

HWS42GDAU1

FR

Haier

Merci d'avoir acheté un produit Haier.

Veuillez lire attentivement ces instructions avant d'utiliser cet appareil. Les instructions contiennent des informations importantes qui vous aideront à tirer le meilleur parti de l'appareil et à assurer l'installation, l'utilisation et l'entretien sûrs et appropriés de celui-ci.

Conservez ce manuel dans un endroit pratique afin que vous puissiez toujours vous référer à celui-ci pour une utilisation sûre et appropriée de l'appareil.

Si vous vendez l'appareil, si vous le donnez ou si vous le laissez derrière vous lorsque vous déménagez, assurez-vous que vous transmettez également ce manuel pour que le nouveau propriétaire puisse se familiariser avec l'appareil et les consignes de sécurité.



Légende

Avertissement - Informations importantes sur la sécurité



Informations générales et conseils



Informations environnementales



Mise au rebut

Contribuez à protéger l'environnement et la santé humaine. Jetez l'emballage dans les bacs correspondants pour le recycler. Aidez à recycler les déchets d'appareils électriques et électroniques. Ne jetez pas les appareils marqués de ce symbole avec les déchets ménagers. Ramenez le produit à votre déchetterie locale ou contactez votre bureau municipal.



AVERTISSEMENT !

Risque de blessure ou de suffocation !

Les frigorigènes et les gaz doivent être éliminés professionnellement. Assurez-vous que le tube du circuit réfrigérant n'est pas endommagé avant d'être correctement éliminé. Débranchez l'appareil du secteur. Coupez le câble d'alimentation et jetez-le. Retirez les clayettes et les tiroirs ainsi que le verrou et les joints de la porte, afin d'éviter que les enfants et les animaux domestiques ne se retrouvent enfermés dans l'appareil.

Les anciens appareils ont encore une valeur résiduelle. Une méthode de mise au rebut respectueuse de l'environnement permettra de récupérer et de réutiliser les matières premières de valeur.

Le cyclopentane, une substance inflammable non toxique pour l'ozone, est utilisé pour former la mousse isolante.

En veillant à ce que ce produit soit éliminé correctement, vous éviterez les effets négatifs potentiels sur l'environnement et la santé humaine, qui pourraient sinon être causés.

Pour plus d'informations sur le recyclage de ce produit, veuillez contacter votre conseil local, votre service d'élimination des déchets ménagers ou le magasin où vous avez acheté le produit, manipulé par les professionnels.

1- Informations sur la sécurité.....	68
2- Conseils de sécurité.....	71
3- Entretien.....	75
4- Accessoires.....	77
5- Description du produit.....	78
6- Installation.....	79
7- Utilisation.....	82
8- Conseils d'économie d'énergie.....	87
9- Matériel.....	88
10- Nettoyage et entretien.....	89
11- Dépannage.....	90
12- Service clientèle.....	94
13- Empilage des bouteilles de vin.....	95

Cet appareil est destiné à être utilisé exclusivement pour le stockage du vin. Avant d'allumer l'appareil pour la première fois, lisez les conseils de sécurité suivants :



AVERTISSEMENT !

Avant la première utilisation

- ▶ Assurez-vous qu'il n'a pas été endommagé pendant le transport.
- ▶ Retirez tous les emballages et gardez-les hors de la portée des enfants, puis jetez-les d'une manière respectueuse de l'environnement.
- ▶ Attendez au moins deux heures avant d'installer l'appareil afin de vous assurer que le circuit réfrigérant fonctionne parfaitement.
- ▶ Manipulez toujours l'appareil avec au moins deux personnes parce qu'il est lourd.

Installation

- ▶ L'appareil doit être placé dans un endroit bien ventilé. Garantisiez un espace d'au moins 10 cm au-dessus et autour de l'appareil.
- ▶ **AVERTISSEMENT** : Gardez les ouvertures de ventilation, dans le bâti de l'appareil ou dans la structure intégrée, exemptes d'obstruction.
- ▶ Ne placez jamais l'appareil dans un endroit humide ou un endroit où il pourrait être éclaboussé d'eau. Nettoyez et séchez les éclaboussures d'eau et les taches avec un chiffon doux et propre.
- ▶ N'installez pas votre cave à vin dans un endroit non correctement isolé ou chauffé, par ex. un garage, etc. Votre cave à vin n'a pas été conçue pour fonctionner à une température ambiante inférieure à 10 °C.
- ▶ N'installez pas l'appareil en plein soleil ou à proximité de sources de chaleur (par ex. cuisinières, chauffages).
- ▶ Installez et mettez à niveau l'appareil dans une zone adaptée à sa taille et à son utilisation.
- ▶ Assurez-vous que les informations électriques figurant sur la plaque signalétique sont conformes à l'alimentation électrique. Si ce n'est pas le cas, contactez un électricien.
- ▶ L'appareil est alimenté par une alimentation de 220-240 VCA/50 Hz. Les variations anormales de tension peuvent provoquer l'arrêt de l'appareil ou endommager le régulateur de température ou le compresseur, ou il peut y avoir un bruit anormal lors du fonctionnement. Dans ce cas, un régulateur automatique doit être monté.
- ▶ N'utilisez pas d'adaptateurs multiprises ni de rallonges.



AVERTISSEMENT !

- ▶ **AVERTISSEMENT** : Ne placez pas plusieurs prises portatives ou alimentations portatives à l'arrière de l'appareil.
- ▶ **AVERTISSEMENT** : Lors du positionnement de l'appareil, vérifiez que le cordon d'alimentation n'est pas coincé ou abîmé.
- ▶ Ne marchez pas sur le câble d'alimentation.
- ▶ Utilisez une prise de terre séparée pour l'alimentation électrique qui est facile d'accès. L'appareil doit être mis à la terre.
- ▶ **Uniquement pour le Royaume-Uni**: Le câble d'alimentation de l'appareil est équipé d'une fiche 3 pôles (de mise à la terre) qui s'adapte à une prise standard 3 pôles (de mise à la terre). Ne coupez jamais ou ne démontez jamais la troisième broche (mise à la terre). Une fois l'appareil installé, la fiche doit être accessible.
- ▶ **AVERTISSEMENT** : N'endommagez pas le circuit réfrigérant.

Utilisation quotidienne

- ▶ Cet appareil peut être utilisé par les enfants de plus de 8 ans et les personnes ayant des capacités physiques, sensorielles ou mentales réduites ou un manque d'expérience et de connaissances, s'ils ont été supervisés ou si on leur a appris à utiliser l'appareil en toute sécurité et qu'ils comprennent les risques courus.
- ▶ Les enfants ne doivent pas jouer avec l'appareil.
- ▶ Les enfants âgés de 3 à 8 ans sont autorisés à remplir et vider les appareils de réfrigération, mais ne sont pas autorisés à nettoyer et à installer les appareils de réfrigération.
- ▶ Gardez les enfants âgés de moins de 3 ans à l'écart de l'appareil à moins qu'ils ne soient constamment surveillés.
- ▶ Le nettoyage et l'entretien ne doivent pas être effectués par des enfants sans surveillance.
- ▶ L'appareil doit être positionné de manière à ce que la fiche soit accessible.
- ▶ Si du gaz de ville ou tout autre gaz inflammable fuit à proximité de l'appareil, fermez la vanne du gaz qui fuit, ouvrez les portes et les fenêtres et ne débranchez pas le câble d'alimentation de l'appareil.
- ▶ Attendez au moins 7 minutes pour remettre le courant après l'avoir coupé.
- ▶ Ne soulevez pas l'appareil par ses poignées de porte.
- ▶ Les clés doivent être gardées hors de la portée des enfants et pas à proximité de l'appareil pour empêcher que les enfants s'enferment à l'intérieur de l'appareil.



AVERTISSEMENT !

- ▶ Notez que l'appareil est réglé pour fonctionner dans la plage ambiante spécifique entre 10 et 38 °C. L'appareil ne peut pas fonctionner correctement s'il est laissé pendant une longue période à une température supérieure ou inférieure à la plage indiquée.
- ▶ Ne placez pas d'objets instables (objets lourds, récipients remplis d'eau) sur le dessus de l'appareil, pour éviter les blessures corporelles causées par une chute ou un choc électrique causé par le contact avec de l'eau.
- ▶ Ouvrez et fermez la porte uniquement avec les poignées. L'écart entre la porte et l'armoire est très étroit. Ne mettez pas vos mains dans ces zones pour éviter de vous pincer les doigts. Ouvrez ou fermez les portes de l'appareil uniquement lorsqu'il n'y a pas d'enfants dans le rayon de mouvement de la porte.
- ▶ Ne conservez pas et n'utilisez pas de matières corrosives, explosives ou inflammables dans l'appareil ou à proximité.
- ▶ Ne rangez pas des substances explosives comme des bombes d'aérosol contenant un combustible inflammable dans cet appareil.
- ▶ Ne conservez pas de médicaments, de bactéries ou d'agents chimiques dans l'appareil. Cet appareil est un appareil électroménager. Il n'est pas recommandé pour stocker des produits qui nécessitent des températures strictes.
- ▶ Ne réglez pas une température inutilement basse dans le compartiment de l'armoire à vin. Des températures inférieures peuvent se produire à des réglages élevés. Attention : Les bouteilles peuvent éclater
- ▶ Ne touchez pas la surface intérieure du compartiment de l'appareil lorsqu'il est en fonctionnement, en particulier avec les mains mouillées, car vos mains peuvent geler sur la surface.
- ▶ Pour un refroidissement correct du vin, ne surchargez pas l'appareil.
- ▶ Débranchez l'appareil en cas de coupure de courant ou avant de le nettoyer. Attendez au moins 7 minutes avant de redémarrer l'appareil, car le démarrage fréquent risque d'endommager le compresseur.
- ▶ **AVERTISSEMENT** : N'utilisez pas d'appareils électriques à l'intérieur de l'électroménager, à moins qu'ils ne soient du type recommandé par le fabricant. Pour éviter tout risque, un câble d'alimentation endommagé doit être remplacé par le service à la clientèle (voir carte de garantie).
- ▶ Pour prolonger la durée de vie de l'appareil, évitez de l'éteindre.
- ▶ Ne placez jamais l'appareil à l'horizontale sur le sol. Après avoir incliné l'appareil de plus de 45°, attendez 24 heures avant de le brancher.



AVERTISSEMENT !

Entretien/nettoyage

- ▶ Veillez à superviser les enfants s'ils effectuent le nettoyage et l'entretien.
- ▶ Débranchez l'appareil du secteur avant d'effectuer tout entretien courant. Attendez au moins 7 minutes avant de redémarrer l'appareil, car le démarrage fréquent risque d'endommager le compresseur.
- ▶ Tenez la fiche, pas le câble, lorsque vous débranchez l'appareil.
- ▶ Ne nettoyez pas l'appareil à l'aide de brosses dures, de brosses métalliques, de détergents en poudre, d'essence, d'acétate d'amyle, d'acétone et de solutions organiques similaires, d'acides ou de solutions alcalines. Nettoyez-le avec un détergent spécial pour réfrigérateur/congélateur afin d'éviter de l'endommager. Enfin, utilisez de l'eau tiède et une solution de bicarbonate de soude : environ une cuillère à soupe de bicarbonate de soude pour un litre/quart d'eau. Rincez abondamment à l'eau et essuyez. N'utilisez pas de poudres de nettoyage ou d'autres nettoyeurs abrasifs. Ne lavez pas les pièces amovibles au lave-vaisselle.
- ▶ **AVERTISSEMENT :** N'utilisez pas des dispositifs mécaniques ou d'autres moyens pour accélérer le processus de dégivrage, hormis ceux recommandés par le fabricant.
- ▶ Si le cordon d'alimentation est endommagé, faites-le remplacer par le fabricant, le service après-vente ou un électricien qualifié pour éviter tout risque d'accident.
- ▶ N'essayez pas de réparer, démonter ou modifier l'appareil vous-même. En cas de réparation, veuillez contacter notre service clientèle.
- ▶ Si les lampes d'éclairage sont endommagées, elles doivent être remplacées par le fabricant, son service de maintenance ou des personnes de qualification similaire afin d'éviter tout danger.
- ▶ Éliminez la poussière à l'arrière de l'appareil au moins une fois par an pour éviter tout risque d'incendie, ainsi que l'augmentation de la consommation d'énergie.

- ▶ Ne pulvérisez pas et ne rincez pas l'appareil pendant le nettoyage.
- ▶ N'utilisez pas de jet d'eau ou de vapeur pour nettoyer l'appareil.
- ▶ Ne nettoyez pas la porte froide en verre à l'eau chaude. Un changement soudain de température peut casser la vitre.
- ▶ Si vous laissez votre appareil hors d'usage pendant une période prolongée, laissez-le ouvert pour éviter que des odeurs désagréables se forment à l'intérieur.

Informations sur les gaz réfrigérants



AVERTISSEMENT !

L'appareil contient l'ISOBUTANE réfrigérant inflammable (R600a). Assurez-vous que le circuit du réfrigérant n'est pas endommagé pendant le transport ou l'installation. Les fuites de frigorigène peuvent provoquer des blessures oculaires ou s'enflammer. Si un dommage s'est produit, gardez les sources de feu ouvert à l'écart, aérez complètement la pièce, ne branchez **pas** ou ne débranchez pas les cordons d'alimentation de l'appareil ou de tout autre appareil. Informez le service à la clientèle.

En cas de contact du réfrigérant avec les yeux, rincez-les immédiatement à l'eau courante et appelez immédiatement un oculiste.

AVERTISSEMENT : Le système de réfrigération est sous haute pression. Ne le modifiez pas. Étant donné que des réfrigérants inflammables sont utilisés, veuillez installer, manipuler et entretenir l'appareil en suivant strictement les instructions et contactez l'agent professionnel ou notre service après-vente pour mettre l'appareil au rebut.


Utilisation prévue

Cet appareil est conçu pour être utilisé dans une habitation et pour des applications similaires telles que

- coins-cuisine du personnel dans des magasins, bureaux et autres environnements de travail ;
 - habitations rurales et par des clients dans des hôtels, motels et autres environnements de type résidentiel ;
 - environnements de type chambres d'hôtes ou B&B ;
 - restauration et applications similaires non dédiées à la vente au détail.
- Pour assurer une conservation sûre du vin, veuillez respecter cette notice d'utilisation.
- Les détails de la partie la plus appropriée dans le compartiment de l'appareil où des types spécifiques d'aliments doivent être stockés, compte tenu de la répartition de la température pouvant être présente dans les différents compartiments de l'appareil, se trouvent dans l'autre partie du manuel.

Les changements ou modifications apportés à l'appareil ne sont pas autorisés. Une utilisation non prévue peut entraîner des risques et la perte de garantie.

Mise au rebut

Le symbole  figurant sur le produit ou sur son emballage indique qu'il ne doit pas être traité comme des ordures ménagères. Vous devez l'apporter à un centre de tri pour le recyclage des produits électriques et électroniques. En éliminant correctement cet appareil, vous évitez toutes les conséquences négatives pour l'environnement et la santé humaine, susceptibles de se présenter si cet appareil n'est pas éliminé correctement. Pour plus d'informations sur le recyclage de ce produit, veuillez contacter votre mairie, votre service de collecte des ordures ménagères ou le magasin où vous avez acheté le produit.

Étant donné que des gaz de soufflage d'isolation inflammables sont utilisés, veuillez contacter l'agent professionnel ou notre service après-vente pour la mise au rebut de l'appareil.

AVERTISSEMENT !**Risque de blessures ou de suffocation !**

Les frigorigènes et les gaz doivent être éliminés professionnellement. Assurez-vous que le tube du circuit réfrigérant n'est pas endommagé avant d'être correctement éliminé. Débranchez l'appareil du secteur. Coupez le câble d'alimentation et jetez-le. Retirez les clayettes et les tiroirs ainsi que le verrou et les joints de la porte afin d'éviter que les enfants et les animaux domestiques ne se retrouvent enfermés dans l'appareil.

- ▶ **AVERTISSEMENT :** Débranchez l'appareil de l'alimentation électrique avant de le nettoyer.
- ▶ Ne nettoyez pas l'appareil à l'aide de brosses dures, de brosses métalliques, de détergents en poudre, d'essence, d'acétate d'amyle, d'acétone et de solutions organiques similaires, d'acides ou de solutions alcalines. Nettoyez-le avec un détergent spécial pour réfrigérateur afin d'éviter de l'endommager.
- ▶ Nettoyez l'appareil lorsqu'il n'y a qu'un peu de vin ou qu'il n'y a pas de vin à l'intérieur. Il ne faut le nettoyer que quand il est sale.
- ▶ Nettoyez l'intérieur et le bâti de l'appareil à l'aide d'une éponge imbibée d'eau tiède et de détergent neutre.
- ▶ Rincez à l'eau tiède propre et séchez à l'aide d'un chiffon doux.
- ▶ Ne nettoyez aucune des parties de l'appareil au lave-vaisselle.
- ▶ Attendez au moins 7 minutes avant de redémarrer l'appareil car le démarrage fréquent risque d'endommager le compresseur.



Nettoyez le joint de la porte :

- ▶ Les joints de porte doivent être nettoyés tous les 3 mois pour assurer une bonne étanchéité. Comme suit : Retirez-le : Saisissez le joint de la porte et tirez-le selon le sens de la flèche pour enlever tout le joint de la porte dans l'ordre.

Trempez la brosse dans de l'eau ou de l'alcool alimentaire, nettoyez d'abord la rainure du joint de la porte en tirant vers passant la brosse de l'arrière vers l'avant. Essuyez ensuite la surface du joint de la porte avec un torchon imbibé d'eau ou d'alcool alimentaire. Enfin, lavez le joint de la porte et essuyez-le avec un torchon propre.



Montage du joint de porte après nettoyage :

Avant de le monter, assurez-vous qu'il n'y a pas d'eau sur le joint de la porte. Insérez le joint de la porte dans la rainure et appuyez fermement sur le joint de la porte de haut en bas à la main jusqu'à ce que tout le joint de la porte soit inséré dans la rainure.

Nettoyage des clayettes :

- ▶ Toutes les clayettes peuvent être retirées pour le nettoyage.
- ▶ Sortez toutes les bouteilles.
- ▶ Soulevez chaque clayette un peu et retirez-la.
- ▶ Nettoyez la clayette à l'aide d'un torchon doux.
- ▶ Attendez que les clayettes soient sèches avant de les remettre en place.

AVERTISSEMENT :

Attendez au moins 7 minutes pour remettre le courant après l'avoir coupé.

Vérifiez les accessoires et la littérature conformément à cette liste : sans isolation.

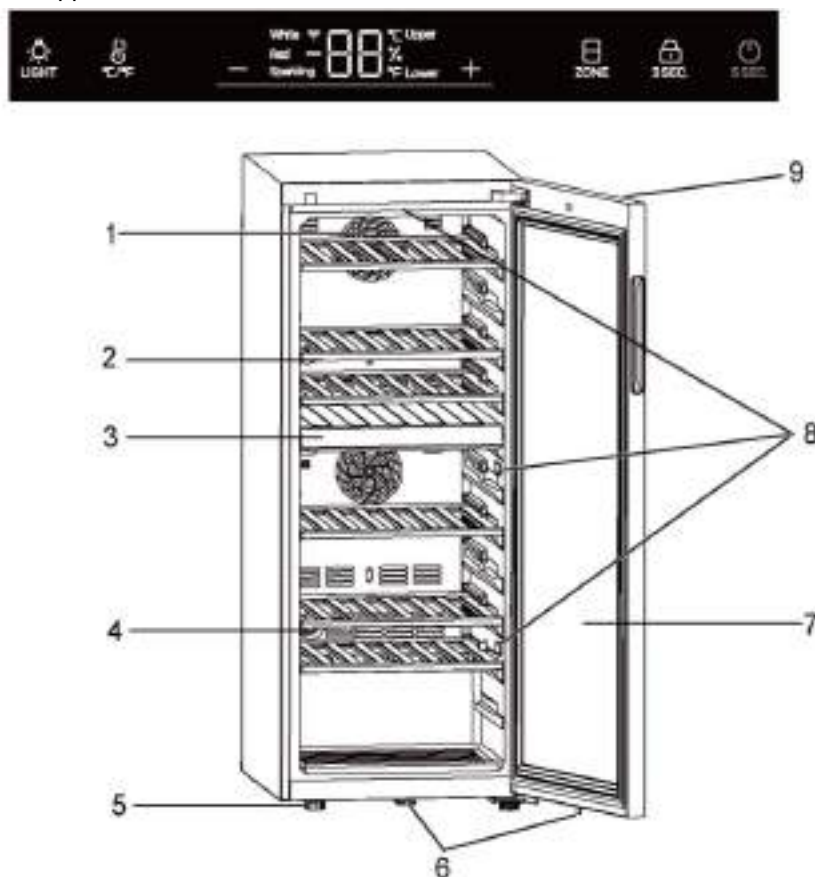
Nom	Manuel d'utilisation	Carte de service	Clayette	Petite clayette	Couvercle de la charnière	Étiquette énergétique	Touches	Came gauche du manuel de la porte
HWS77GDAU1	1	1	6	1	1	1	2	2
HWS42GDAU1	1	1	3	1	1	1	2	2



Remarque

En raison des changements techniques et de différents modèles, certaines des illustrations de ce manuel peuvent différer de votre modèle.

Image de l'appareil



- | | | | |
|---------------------|---------------------------|-----------------|--|
| 1. Ventilateur | 4. Filtre à charbon actif | 6. Verrouillage | 9. Affichage (sur le devant de la porte) |
| 2. Clayette | 5. Pieds réglables | 7. Porte | |
| 3. Cloison centrale | | 8. Lampe LED | |

1. Déballage

- ▶ Sortez l'appareil de l'emballage.
- ▶ Retirez tous les matériaux d'emballage, y compris la base en mousse et tout le ruban adhésif qui retient les accessoires.

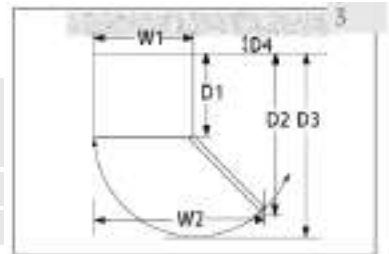
2. Conditions environnementales

La température ambiante doit toujours être comprise entre 10 °C et 38 °C, car elle peut influencer la température à l'intérieur de l'appareil et sa consommation d'énergie. N'installez pas l'appareil à proximité d'autres appareils générant de la chaleur (fours, réfrigérateurs) sans isolation.

3. Espace requis

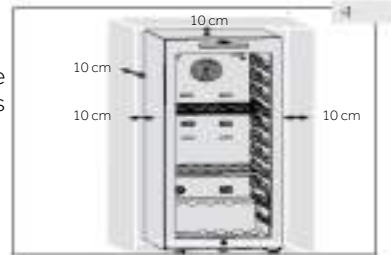
Espace nécessaire pour ouvrir la porte (Fig. 3) :

Largeur en mm		Profondeur en mm			Distance jusqu'au mur en mm
W1	W2	D1	D2	D3	D4
495	630	535	1033	1047	100



4. Espace de ventilation

Pour des raisons énergétiques et de sécurité, la distance de ventilation requise de 10 cm dans toutes les directions doit être respectée (Fig. 4).



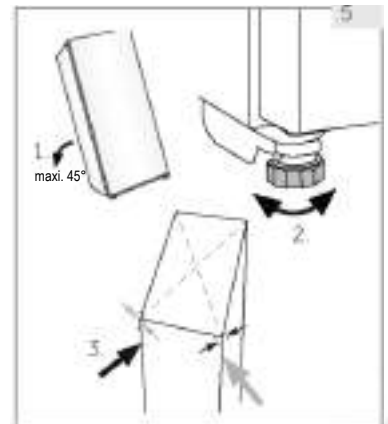
AVERTISSEMENT !

- ▶ Maintenez les ouvertures de ventilation situées dans l'appareil ou dans la structure encastrée libres de toute obstruction.

5. Alignement de l'appareil

L'appareil doit être placé sur une surface plane et solide.

1. Inclinez légèrement l'appareil vers l'arrière (Fig. 5).
2. Réglez les pieds avant réglables au niveau souhaité en les tournant.
3. La stabilité peut être vérifiée en alternant les diagonales. Le léger flottement doit être le même dans les deux directions. Dans le cas contraire, le cadre peut se déformer ; cela se traduit par des fuites au niveau des joints de la porte. Une faible tendance vers l'arrière facilite la fermeture de la porte.



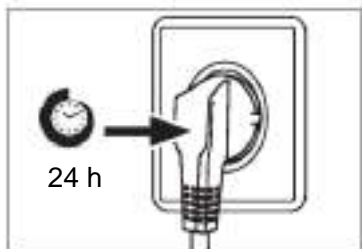


6. Réglage fin de la porte

L'appareil se ferme plus facilement si les pieds de nivellement sur le devant sont utilisés :

Tournez les pieds réglables (Fig. 6) pour les monter ou les baisser :

- ▶ La rotation des pieds dans le sens des aiguilles d'une montre soulève l'appareil.
- ▶ Tournez les pieds dans le sens contraire des aiguilles d'une montre pour baisser l'appareil.



7. Temps d'attente

L'huile de lubrification sans entretien se trouve dans la capsule du compresseur. Cette huile peut passer par le système fermé de tuyauterie pendant le transport si l'appareil est incliné. Avant de brancher l'appareil sur l'alimentation électrique, attendez 24 heures (Fig. 7) afin que l'huile revienne dans la capsule.

8. Branchement électrique

Avant chaque branchement, vérifiez si :

- ▶ l'alimentation, la prise et le fusible sont adaptés à la plaque signalétique.
- ▶ la prise de courant est mise à la terre et sans multiprise ni rallonge.
- ▶ la fiche d'alimentation et la prise sont adaptées l'une à l'autre.

Branchez la fiche sur une prise domestique correctement installée.



AVERTISSEMENT !

Pour éviter tout risque, un câble d'alimentation endommagé doit être remplacé par le service à la clientèle (voir carte de garantie).

9. Réversibilité de la porte

Avant de brancher l'appareil sur l'alimentation électrique, vérifiez si le battant de porte doit passer de droite (tel qu'il est livré) à gauche, si cela est requis par l'emplacement d'installation et l'utilisation

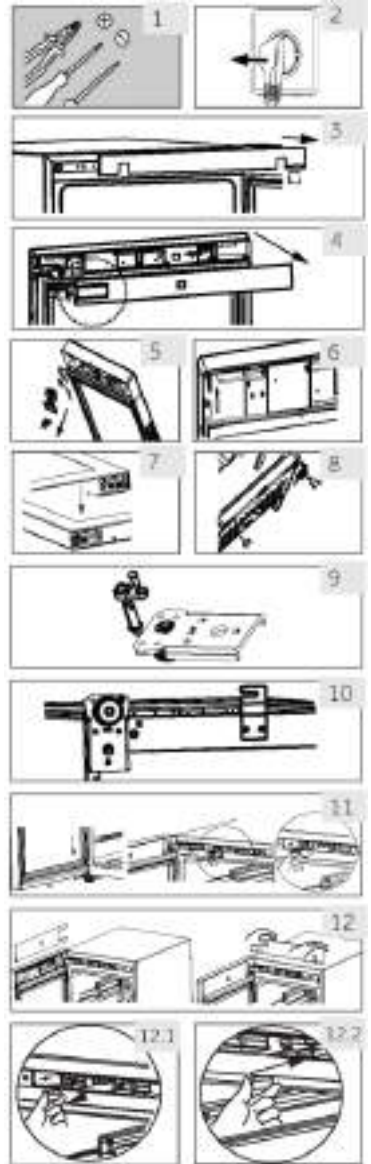


AVERTISSEMENT !

- ▶ L'appareil est lourd. Vous avez besoin de deux personnes pour changer la porte de côté.
- ▶ Avant toute opération, débranchez tout d'abord l'appareil du secteur.
- ▶ N'inclinez pas l'appareil à plus de 45° pour éviter d'endommager le système de refroidissement.

Étapes du montage

1. Munissez-vous de l'outil nécessaire.
2. Débranchez l'appareil.
3. Ouvrez la porte, prenez la bande avant et trouvez la bande correspondante pour retirer le côté gauche et placez-la sur le côté droit de l'espace.
4. Débranchez le câble de branchement. Retirez la partie supérieure du joint de la porte et enlevez la bande arrière de la porte. (Enlevez-la de l'ouverture du côté gauche)
5. Retirez 2 vis sur la charnière du haut.
6. Retirez le couvercle et la charnière, retirez le couvercle de l'axe puis effectuez le montage de l'autre côté, installez ensuite la charnière dans l'axe.
7. Retirez la came et le porte-porte et déplacez le support de la porte de l'autre côté de la porte. Installez la nouvelle came provenant de la pochette.
8. Avec l'armoire inclinée (moins de 45°), retirez la charnière du bas (3 vis) pour la conserver.
9. Retirez la came de charnière du bas et l'arbre de charnière. Installez l'arbre sur le côté droit de la charnière du bas. Retirez la came de la pochette d'instructions et installez-la sur l'arbre de la charnière du bas.
10. Installez la charnière du bas et le pied inférieur de l'autre côté de l'armoire. Lubrifiez la came.
11. Installez la porte sur l'axe de la charnière du bas et fixez la charnière du haut à l'aide de deux vis sur l'armoire. Fixez les câbles de signal au milieu de la rainure de la charnière du haut et prenez le couvercle de la charnière dans la pochette d'instructions et fixez-le sur la charnière du haut.
12. Installez le joint de la porte et la bande de la porte sur la porte. Insérez les deux câbles de signal de porte, déplacez l'interrupteur magnétique (12.1) sur la fente de montage de droite (12.2) du boîtier de faisceau supérieur et fixez la garniture avant de l'armoire.
13. Assurez-vous que la porte peut être ouverte et fermée correctement.



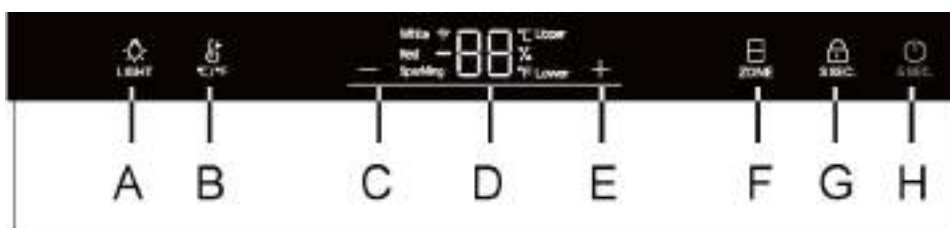
1. Avant la première utilisation

- ▶ Retirez tous les matériaux d'emballage. Cela inclut la base en mousse et tout le ruban adhésif tenant les accessoires de la cave à vin à l'intérieur et à l'extérieur. Gardez-les hors de portée des enfants et jetez-les d'une manière respectueuse de l'environnement.
- ▶ Nettoyez l'intérieur et l'extérieur de l'appareil avec de l'eau et un détergent doux avant d'y mettre du vin.
- ▶ Une fois l'appareil à plat et nettoyé, attendez au moins 2 heures avant de le brancher à l'alimentation électrique. Si votre cave à vin a été inclinée pour quelque raison que ce soit, attendez 24 heures avant de la brancher. Reportez-vous au paragraphe INSTALLATION.
- ▶ Une fois que vous avez branché l'appareil sur une prise électrique, laissez l'appareil fonctionner pendant au moins 30 minutes pour s'acclimater avant de procéder à des réglages.
- ▶ La température est automatiquement réglée à 12 °C. Si vous le souhaitez, vous pouvez modifier la température manuellement. Reportez-vous au paragraphe TEMPÉRATURE.

2. Touches tactiles



Les boutons du panneau de commande sont des touches tactiles qui réagissent lorsque le doigt les touche légèrement.

3. Description du panneau de commande



- | | | | |
|---|---|---|--|
| A | Bouton d'éclairage intérieur/Wi-Fi | E | Bouton de réglage de la température : vers le haut |
| B | Bouton de conversion °C /°F | F | Sélection de la zone de température |
| C | Bouton de réglage de la température : vers le bas | G | Bouton de verrouillage |
| D | Affichage | H | Bouton d'alimentation |

4. Fonction de verrouillage automatique

Le panneau de commande se verrouille automatiquement depuis n'importe quelle touche après 30 secondes d'activation, le voyant  est allumé. Pour activer le verrouillage, appuyez sur le bouton  pendant 3 secondes, lorsqu'il est verrouillé les lumières LED rétroéclairées baissent. Le bouton A n'est pas verrouillé.

5. Fonction bouton d'alimentation

Lorsque l'écran est déverrouillé, appuyez sur la touche H pendant 5 secondes, la cave à vin coupe l'alimentation électrique. Appuyez ensuite sur le bouton H pendant 5 secondes/la cave à vin est rallumée. Lorsque l'écran est verrouillé, le bouton H ne peut pas fonctionner.

6. Réglage de la température





Remarque

Préréglages



- ▶ Une fois que vous avez branché l'appareil sur une prise électrique, laissez à l'appareil au moins 30 minutes pour s'acclimater avant de procéder à des réglages.
- ▶ Lorsque l'appareil est allumé après avoir été débranché de l'alimentation secteur, il peut falloir plusieurs heures pour que les températures correctes soient atteintes. Le temps exact varie en fonction de l'environnement et du réglage de la température.

1. Sélection de la zone de température

Dans l'état de déverrouillage, l'icône  est complètement allumée. Si l'affichage actuel se trouve dans la zone de température supérieure, l'icône supérieure est allumée et l'icône inférieure est éteinte. À ce moment-là, appuyez sur la touche , l'icône inférieure s'allume et l'icône supérieure s'éteint.

2. Réglage de la température

Dans l'état de déverrouillage, lorsque l'icône « supérieure » est allumée, la température de la zone de température supérieure peut être réglée ;

Appuyez sur  ou  lorsque le voyant « supérieur » s'allume, pour augmenter ou diminuer la température. Lorsque la température souhaitée est atteinte, appuyez sur le bouton. Une fois que le réglage de la température est terminé et 3 secondes plus tard, la zone d'affichage de la température cesse de clignoter, l'affichage de la température indique alors la température actuelle.

La plage de température va de 5 à 20 degrés.

Lorsque l'icône « inférieure » est allumée, la température de la zone de température inférieure peut être réglée.

Paramètres de température recommandés

Les températures de dégustation suivantes sont recommandées pour les différents types de vin.

Vin rouge	+ 13 °C à +20 °C (+55 °F à +68 °C)	Vin mousseux Prosecco	+5 °C à +8 °C (+41 °F à +47 °F)
Vin blanc	+9 °C à +12 °C (+48 °F à +54 °F)		



Si vous conservez du vin pendant de longues périodes, il doit être conservé à une température comprise entre +10 °C et +12 °C (50 °F et +54 °F).

7. Mode veille

La lumière de l'écran s'atténue automatiquement pendant 30 secondes.

L'écran s'allume automatiquement lorsque n'importe quelle touche est touchée ou lorsque vous ouvrez la porte.

8. Réglage du mode d'éclairage

Appuyez sur le bouton . Lorsque les lumières de l'armoire sont allumées, les lumières s'allument progressivement. Lorsque vous appuyez une fois de plus sur le bouton , les voyants s'éteignent progressivement.



Remarque Influence sur les températures

La température à l'intérieur de l'appareil est influencée par les facteurs suivants :

- ▶ Température ambiante
- ▶ Quantité de bouteilles stockées
- ▶ Fréquence d'ouverture de la porte
- ▶ L'emplacement de l'appareil

Le réglage par défaut est de 12 °C

Lorsque l'écran cesse de clignoter, il revient à l'indication de la température actuelle à l'intérieur de la cave à vin. Il faudra un certain temps pour atteindre la température définie.

9. Fonction °C/°F

Appuyez sur le bouton  pour basculer entre Fahrenheit et Celsius.

10. Fonction de mémoire en cas de coupure

En cas de coupure de courant, la cave enregistre automatiquement la température réglée. Lorsque le courant reviendra, elle fonctionnera à la température réglée avant la coupure de courant.

11. Fonction de compensation basse température

La cave à vin a une fonction de compensation basse température pour assurer la stabilité de la température : Lorsque la température ambiante est inférieure à la température définie, la cave à vin démarre automatiquement la fonction de compensation basse température, en chauffant l'application. Lorsque la température dans l'application atteint la température définie, la fonction de compensation basse température est automatiquement désactivée.

12. Alarme d'ouverture de porte

Si la porte reste ouverte pendant plus d'1 minute, un signal sonore retentit pour avertir jusqu'à ce que la porte soit fermée ou que toute touche du panneau d'affichage soit appuyée, puis le signal sonore s'interrompt.

13. Affichage de l'humidité

Appuyez sur le bouton  pendant 3 secondes, la zone d'affichage affichera l'humidité. Appuyez ensuite sur les autres boutons, l'écran enlève l'humidité.

14. Réglage du mode Wi-Fi

CONNECTIVITÉ PARAMÈTRES SANS FIL

Technologie	Wi-Fi	Bluetooth
Standard	IEEE 802.11 b/g/n	Bluetooth v4.2, BR/EDR, BLE
Bande(s) de fréquence [MHz]	2401→2483	2402→2480
Puissance maximale [mW] Bande(s) [MHz]	100	10

INFORMATIONS SUR LE PRODUIT

Comment activer le module Wi-Fi :

- Appuyez sur la touche de lumière pendant 3 secondes pour activer le module Wi-Fi
- Le module Wi-Fi est activé et l'icône Wi-Fi commence à clignoter
- Si la cave à vin est enregistrée, mais que le Wi-Fi est éteint, l'icône clignote
- Si la cave à vin est enregistrée et connectée, l'icône Wi-Fi reste allumée
- Pour réinitialiser le Wi-Fi, appuyez sur la lumière pendant 3 secondes

PROCÉDURE D'APPARAIGE DANS L'APPLICATION

Étape 1

- Téléchargez l'application hOn dans les stores



Étape 2

- Connectez-vous ou enregistrez-vous



Étape 3

- Ajoutez un nouvel appareil en sélectionnant la cave à vin dans la liste



Étape 4

- Scannez le code QR ou saisissez manuellement le numéro de série



Étape 5

- Appuyez sur la touche lumière du produit pendant 3s pour activer le Wi-Fi



Étape 6

- L'icône Wi-Fi clignote, le processus d'appairage est en cours
- Vous aurez 5 minutes pour terminer le processus d'appairage
- Une fois le processus terminé, l'icône Wi-Fi cesse de clignoter et reste toujours allumée

REMARQUE





Conseils d'économie d'énergie

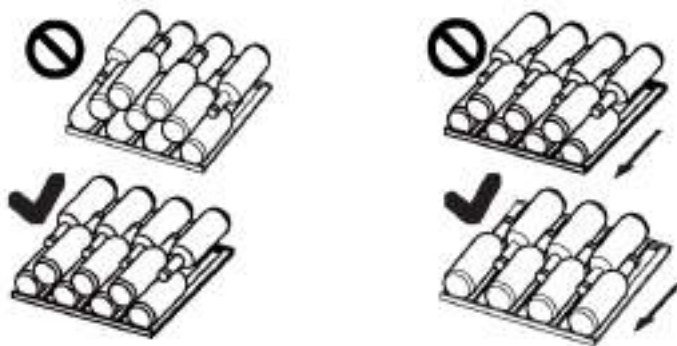
- ▶ Assurez-vous que l'appareil est bien ventilé (voir INSTALLATION).
- ▶ N'installez pas l'appareil en plein soleil ou à proximité de sources de chaleur (par ex. cuisinières, chauffages).
- ▶ Évitez une température inutilement basse dans l'appareil. La consommation d'énergie augmente plus vous réglez bas la température de l'appareil.
- ▶ Ouvrez la porte de l'appareil le moins souvent et le plus rapidement possible.
- ▶ Ne dépassez pas la quantité prévue de bouteilles pour éviter de bloquer la circulation de l'air.
- ▶ Gardez les joints de la porte propres afin que la porte se ferme toujours correctement.

1. Clayette


1. Les clayettes sont conçues pour faciliter le stockage et faciliter le retrait du vin. Elles peuvent être nettoyées avec un torchon doux.
2. Les bouteilles normales d'un diamètre de 76 mm peuvent être empilées.
3. Les bouteilles Magnum peuvent être empilées sur la clayette du bas.
4. La quantité de bouteilles peut varier du nombre de bouteilles représentées si elles sont empilées d'une manière différente.

Conseils pour le rangement de votre cave à vin

Nous recommandons que le nombre de bouteilles de vin ne dépasse pas deux couches sur chaque clayette, et la capacité de charge des clayettes de vin ne doit pas dépasser 20 kg. Avant de placer les bouteilles à l'intérieur de la cave à vin, vérifiez si les clayettes sont complètement stables ou non. En outre, vérifiez si une bouteille dépasse ou non des clayettes afin d'éviter que des bouteilles ne cognent contre la porte vitrée lors de la fermeture.



2. La lumière

La lumière LED à l'intérieur s'allume lorsque la porte est ouverte. Pour allumer la lumière lorsque la porte est fermée, appuyez sur le bouton . Pour éteindre la lumière, appuyez à nouveau sur le bouton. Pour augmenter l'efficacité énergétique, il faut éteindre la lumière lorsqu'on ne regarde pas la cave à vin.

3. Le verrou

Pour verrouiller la cave à vin, fermez la porte et mettez la clé dans la serrure :

- ▶ Verrouillez la porte en tournant la clé dans le sens contraire des aiguilles d'une montre ;
- ▶ Déverrouillez la porte en tournant la clé dans le sens des aiguilles d'une montre.

1. Dégivrage

Le dégivrage de la cave à vin se fait automatiquement ; aucune opération manuelle n'est nécessaire.

2. Remplacement de la lampe LED

La lampe utilise la LED comme source de lumière, avec une faible consommation d'énergie et une longue durée de vie. En cas d'anomalie, veuillez contacter le service clientèle. Reportez-vous au paragraphe SERVICE CLIENTÈLE.



AVERTISSEMENT !

Ne remplacez pas la lampe LED vous-même. Elle ne doit être remplacée que par le fabricant ou l'agent de maintenance agréé.

Paramètres de la lampe LED :

Tension 12 V ; Puissance max : 8 W (pour HWS77GDAU1)

Tension 12 V ; Puissance max : 5 W (pour HWS42GDAU1)

3. Non-utilisation pendant une période plus longue

Débranchez le cordon d'alimentation.

Nettoyez l'appareil et les joints de la porte comme cela est décrit ci-dessus.

Gardez la porte ouverte pour éviter la formation de mauvaises odeurs à l'intérieur.

4. Déplacement de l'appareil

1. Retirez toutes les bouteilles et débranchez l'appareil.
2. Fixez les clayettes et les autres parties mobiles dans la cave à vin avec du ruban adhésif.
3. N'inclinez pas la cave à vin à plus de 45° pour éviter d'endommager le système de réfrigération.

5. Échange d'air avec filtre à charbon actif

La manière dont les vins continuent de vieillir dépend des conditions ambiantes. La qualité de l'air est donc décisive pour préserver le vin. Un filtre à charbon actif a été installé dans la partie inférieure de la paroi arrière de l'appareil pour assainir l'air ambiant.



Remarque

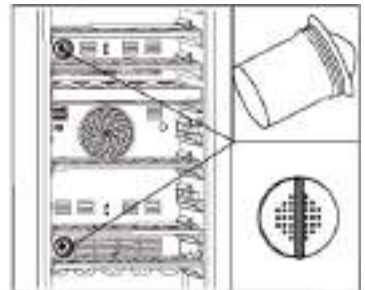
Nous vous recommandons de remplacer le filtre une fois par an. Les filtres peuvent être obtenus auprès de votre revendeur.

Changement du filtre :

Prenez le filtre par la poignée. Tournez-le vers la gauche et retirez-le.

Introduction du filtre :

Insérez-le avec la poignée à la verticale. Tournez-le vers la droite et insérez-le.



Vous pouvez résoudre de nombreux problèmes vous-même sans expertise spécifique. En cas de problème, veuillez vérifier toutes les possibilités indiquées et suivre les instructions ci-dessous avant de contacter un service après-vente. Reportez-vous au paragraphe SERVICE CLIENTÈLE.



AVERTISSEMENT !

- ▶ Avant l'entretien, désactivez l'appareil et débranchez la fiche secteur de la prise secteur.
- ▶ L'équipement électrique ne doit être entretenu que par des experts électriques qualifiés, car des réparations inappropriées peuvent causer des dommages consécutifs considérables.
- ▶ Une alimentation endommagée ne devrait être remplacée que par le fabricant, son agent de maintenance ou des personnes avec une qualification similaire de manière à éviter tout danger.

Code d'erreur	Cause	Solution
rH	L'appareil émet un avertissement de température élevée lorsque la température du compartiment supérieur a été supérieure à 25 °C pendant 3 heures.	La température ambiante est trop élevée. La température de fonctionnement de l'appareil doit être comprise entre 10 °C et 38 °C.
rL	Le compresseur s'arrête de fonctionner lorsque la température est inférieure à 0 °C. L'avertissement de basse température est donné lorsque la température a été inférieure à 0 °C pendant 2 heures.	La température ambiante est trop basse. La température de fonctionnement de l'appareil doit être comprise entre 10 °C et 38 °C.

Problème	Cause possible	Solution possible
Le compresseur ne fonctionne pas.	<ul style="list-style-type: none"> • La fiche secteur n'est pas branchée dans la prise secteur. 	<ul style="list-style-type: none"> • Branchez la fiche secteur.
L'appareil fonctionne fréquemment ou fonctionne trop longtemps.	<ul style="list-style-type: none"> • La température extérieure est trop élevée. • L'appareil a été hors tension pendant un certain temps. • Une porte de l'appareil n'est pas bien fermée. • La porte a été ouverte trop fréquemment ou trop longtemps. • Les joints de la porte sont sales, usés ou ne correspondent pas. • La circulation de l'air requise n'est pas garantie. • La température réglée est trop basse. 	<ul style="list-style-type: none"> • Dans ce cas, il est normal que l'appareil fonctionne plus longtemps. • Normalement, il faut un moment pour que l'appareil refroidisse complètement. • Fermez la porte et assurez-vous que l'appareil est situé sur un sol à niveau et qu'il n'y a pas d'objet ou de récipient bloquant la porte. • N'ouvrez pas trop souvent la porte. • Nettoyez le joint de la porte ou faites-le remplacer par le service clientèle. • Assurez une ventilation adéquate. • Le problème se résoudra tout seul lorsque la température souhaitée sera atteinte.
L'intérieur de la cave à vin est sale et/ou sent.	<ul style="list-style-type: none"> • L'intérieur de la cave a besoin de nettoyage. 	<ul style="list-style-type: none"> • Nettoyez l'intérieur de la cave à vin.
Il ne fait pas suffisamment froid à l'intérieur de l'appareil.	<ul style="list-style-type: none"> • La température réglée est trop élevée. • Des bouteilles ont été ajoutées récemment. • Une porte de l'appareil n'est pas bien fermée. • La porte a été ouverte trop fréquemment ou trop longtemps. • Les joints de la porte sont sales, usés, fissurés ou ne correspondent pas. 	<ul style="list-style-type: none"> • Réinitialisez la température. • Attendez que les bouteilles récemment ajoutées atteignent la température souhaitée. • Fermez la porte. • N'ouvrez pas trop souvent la porte. • Nettoyez le joint de la porte ou faites-le remplacer par le service clientèle.
Il fait trop froid à l'intérieur de l'appareil.	<ul style="list-style-type: none"> • La température réglée est trop basse. 	<ul style="list-style-type: none"> • Réinitialisez la température.
Formation d'humidité à l'intérieur du compartiment du réfrigérateur.	<ul style="list-style-type: none"> • Le climat est trop chaud et trop humide. • Une porte de l'appareil n'est pas bien fermée. • La porte a été ouverte trop fréquemment ou trop longtemps. 	<ul style="list-style-type: none"> • Augmentez la température. • Fermez la porte. • N'ouvrez pas trop souvent la porte/le tiroir.

Problème	Cause possible	Solution possible
L'humidité s'accumule sur la surface extérieure de la cave à vin.	<ul style="list-style-type: none"> Le climat est trop chaud et trop humide La porte n'est pas fermée hermétiquement. L'air froid de l'appareil et l'air chaud à l'extérieur de celui-ci se condense. 	<ul style="list-style-type: none"> C'est normal dans un climat humide et cela va changer lorsque l'humidité diminuera. Assurez-vous que la porte est bien fermée et que les joints d'étanchéité sont bien hermétiques.
L'appareil émet des sons anormaux	<ul style="list-style-type: none"> L'appareil n'est pas situé sur un sol plan. L'appareil touche un objet situé à proximité. 	<ul style="list-style-type: none"> Réglez les pieds pour mettre l'appareil à niveau. Retirez les objets autour de l'appareil.
Un léger son doit être entendu comme celui de l'eau courante.	<ul style="list-style-type: none"> Cela est normal 	<ul style="list-style-type: none"> -
Le système d'éclairage ou de refroidissement à l'intérieur ne fonctionne pas.	<ul style="list-style-type: none"> La fiche secteur n'est pas branchée sur la prise secteur. L'alimentation n'est pas intacte. La lampe LED est hors service. 	<ul style="list-style-type: none"> Branchez la fiche secteur. Vérifiez l'alimentation électrique de la pièce. Appelez la société d'électricité locale. Veillez appeler le service pour le changement
Les côtés du réfrigérateur et de la bande de la porte se réchauffent	<ul style="list-style-type: none"> Cela est normal. 	<ul style="list-style-type: none"> -
La porte ne se ferme pas correctement	<ul style="list-style-type: none"> L'appareil n'est pas à niveau. La porte est bloquée. 	<ul style="list-style-type: none"> Mettez l'appareil à niveau avec les pieds de nivellement. Vérifiez s'il y a des choses qui la bloquent, comme des bouteilles ou des clayettes.

Fiche du produit selon la réglementation UE n° 1060/2010

Marque	Haier	Haier
Nom du modèle / identifiant	HWS42GDAU1	HWS77GDAU1
Capacité nominale en bouteilles	42	77
Catégorie de réfrigération domestique	2	2
Classe d'efficacité énergétique	A	A
Consommation d'énergie annuelle (kWh/an) ¹⁾	142	152
Volume de stockage (L)	106	190
Classe climatique : Cet appareil est destiné à être utilisé à une température ambiante comprise entre 10 °C et 38 °C.	SN N ST	SN N ST
Émissions acoustiques dans l'air (db(A) re 1pW)	37	37
Type d'appareil	Autonome	Autonome
Cet appareil est destiné à être utilisé exclusivement pour le stockage du vin.	Oui	Oui
Dimensions (P/L/H en mm)	585/497/820	585/497/1270

Explications :

1) D'après les résultats des tests standard pendant 24 heures. La consommation réelle dépend de l'environnement réel, de la quantité de bouteilles, de la température réglée, de l'ouverture et de la fermeture de la porte, etc.

2) La consommation d'énergie nominale est la valeur obtenue en fonction de l'essai standard lorsque l'armoire à vin n'allume pas la lumière à l'intérieur.

11.3 Normes et directives

Ce produit satisfait aux exigences de toutes les directives CE applicables avec les normes harmonisées correspondantes, qui prévoient le marquage CE.

Nous recommandons notre Service Clientèle Haier et l'utilisation de pièces détachées d'origine.

Si vous rencontrez un problème avec votre appareil, veuillez d'abord consulter le paragraphe DÉPANNAGE.

Si vous ne trouvez pas de solution, veuillez contacter

- ▶ votre revendeur local ou
- ▶ l'espace Service & Assistance sur le site www.haier.com où vous pouvez trouver les numéros de téléphone et les FAQ et où vous pouvez activer la demande de service.

Pour contacter notre Service, assurez-vous que vous disposez des données suivantes. Les informations se trouvent sur la plaque signalétique.

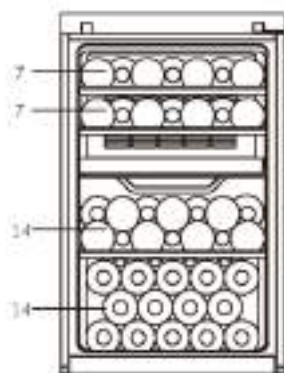
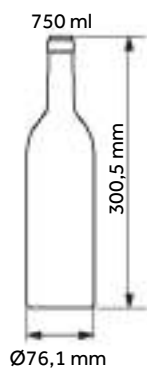
Modèle _____ N° de série _____

Vérifiez également la carte de garantie fournie avec le produit en cas de garantie.

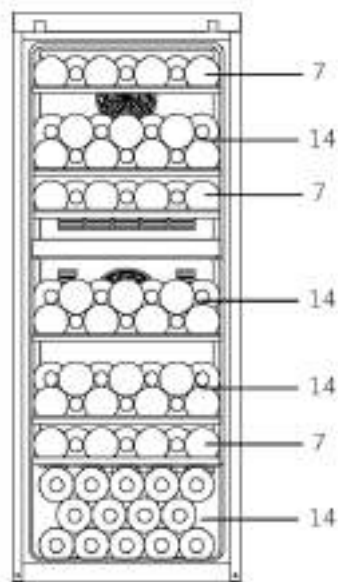
Pour toute question commerciale générale, veuillez trouver nos adresses en Europe ci-dessous :

Adresses de Haier en Europe

Pays*	Adresse postale	Pays	Adresse postale
Italie	Haier Europe Trading SRL Via De Cristoforis, 12 21100 Verese ITALY	France	Haier France SAS 3-5 rue des Gravier 92200 Neuilly-sur-Seine FRANCE
Espagne Portugal	Haier Iberia SL Pg. Garcia Faria, 49-51 08019 Barcelone SPAIN	Belgique-FR Belgique-NL Pays-Bas Luxembourg	Haier Benelux SA Anderlecht Route de Lennik 451 BELGIUM
Allemagne Autriche	Haier Deutschland GmbH Hewlett-Packard-Str. 4 D-61352 Bad Homburg GERMANY	Pologne Tchéquie Hongrie Grèce Roumanie Russie	Haier Pologne Sp. zo.o. Al. Jerozolimskie 181B 02-222 Warszawa POLAND
Royaume- Uni	Haier Appliances UK Co. Ltd. One Crown Square Church Street East Woking, Surrey. GU21 6HR UK		



HWS42GDAU1
(42)



HWS77GDAU1
(77)



Manuale per
l'utente

Cantina

HWS77GDAU1

HWS42GDAU1

IT

Haier

Grazie per aver acquistato un prodotto Haier.

Leggere attentamente queste istruzioni prima di utilizzare l'elettrodomestico. Le istruzioni contengono informazioni importanti per ottimizzare l'uso dell'elettrodomestico e garantire l'installazione, l'uso e la manutenzione sicuri e corretti.

Conservare il presente manuale in un luogo comodo, in modo da poterlo sempre consultare per un uso sicuro e corretto dell'elettrodomestico.

Se l'elettrodomestico viene venduto, ceduto o abbandonato in caso di trasloco, trasferire anche il presente manuale in modo che il nuovo proprietario possa comprendere l'uso dell'elettrodomestico e delle avvertenze di sicurezza.



Legenda

Avvertenza - Informazioni importanti per la sicurezza



Informazioni generali e consigli



Informazioni ambientali

Smaltimento



Contribuire a proteggere l'ambiente e la salute umana. Collocare l'imballo in appositi contenitori affinché venga riciclato. Contribuire al riciclo dei rifiuti di apparecchiature elettriche ed elettroniche. Non smaltire gli elettrodomestici contrassegnati con questo simbolo assieme ai rifiuti domestici. Conferire il prodotto presso la struttura di riciclo locale o rivolgersi all'ufficio comunale preposto.



AVVERTENZA!

Pericolo di lesioni o soffocamento!

I refrigeranti e i gas devono essere smaltiti in maniera professionale. Accertarsi che la tubazione del circuito refrigerante non sia danneggiata prima di smaltirla correttamente. Scollegare l'elettrodomestico dalla rete elettrica. Tagliare il cavo di alimentazione e smaltirlo. Rimuovere vassoi e cassette, fermaporta e guarnizioni, per evitare che bambini e animali domestici rimangano chiusi nell'elettrodomestico.

Gli elettrodomestici vecchi possono avere ancora un valore residuo. Un metodo ecologico per lo smaltimento garantisce il recupero e il riutilizzo delle materie prime utili. Il ciclopentano, una sostanza infiammabile che non danneggia l'ozono, viene utilizzato come espansore per la schiuma isolante.

Garantendo il corretto smaltimento del prodotto, si contribuisce a prevenire conseguenze negative per l'ambiente e per la salute umana.

Per informazioni più dettagliate sul riciclo di questo prodotto, rivolgersi alla municipalità locale, all'azienda addetta allo smaltimento dei rifiuti domestici o al punto vendita dove è stato acquistato.

1- Informazioni per la sicurezza.....	100
2- Consigli per la sicurezza	103
3- Manutenzione.....	107
4- Accessori	109
5- Descrizione del prodotto	110
6- Installazione.....	111
7- Utilizzo	114
8- Consigli per il risparmio energetico	119
9- Dotazioni.....	120
10- Cura e pulizia.....	121
11- Soluzione dei problemi.....	122
12- Assistenza clienti.....	126
13- Impilaggio delle bottiglie di vino.....	127

Questo elettrodomestico deve essere utilizzato solo per la conservazione del vino. Prima di accendere l'elettrodomestico per la prima volta, leggere i seguenti consigli sulla sicurezza:



AVVERTENZA!

Prima del primo utilizzo

- ▶ Accertarsi dell'assenza di danni dovuti al trasporto.
- ▶ Rimuovere tutti gli imballi, tenerli fuori dalla portata dei bambini e smaltirli nel rispetto dell'ambiente.
- ▶ Per garantire la totale efficienza del circuito del refrigerante, attendere almeno due ore prima di installare l'elettrodomestico.
- ▶ L'elettrodomestico deve essere maneggiato sempre da almeno due persone perché è pesante.

Installazione

- ▶ Installare l'elettrodomestico in un luogo asciutto e ben ventilato. Lasciare uno spazio libero di almeno 10 cm sopra e attorno all'elettrodomestico.
- ▶ **AVVERTENZA:** Le aperture di ventilazione nell'involucro dell'elettrodomestico o nella struttura a incasso devono rimanere sempre libere.
- ▶ Non collocare mai l'elettrodomestico in una zona umida o soggetta a schizzi d'acqua. Pulire e asciugare schizzi e macchie d'acqua con un panno morbido e pulito.
- ▶ Non installare la cantinetta in luoghi non adeguatamente isolati o riscaldati (ad es. in garage). La cantinetta non è stata progettata per funzionare con temperature ambiente inferiori a 10 °C.
- ▶ Non installare l'elettrodomestico esposto alla luce diretta del sole o in prossimità di fonti di calore (ad es. stufe o radiatori).
- ▶ Installare l'elettrodomestico a livello in un'area adatta alle dimensioni e all'uso.
- ▶ Accertarsi che i dati elettrici sulla targhetta siano conformi all'alimentazione elettrica. In caso contrario, rivolgersi a un elettricista.
- ▶ L'elettrodomestico funziona con corrente elettrica 220-240 Vca / 50 Hz. Oscillazioni anomale della tensione possono causare il mancato avvio dell'elettrodomestico, danni al controllo della temperatura o al compressore, o rumori anomali durante il funzionamento. In tal caso, è opportuno montare un regolatore automatico.
- ▶ Non adoperare adattatori multipresa o cavi di prolunga.

**AVVERTENZA!**

- ▶ **AVVERTENZA:** Non applicare prese multiple o alimentatori portatili sulla parte posteriore dell'elettrodomestico.
- ▶ **AVVERTENZA:** Durante la collocazione dell'elettrodomestico nella sede prescelta, accertarsi che il cavo di alimentazione non sia incastrato o danneggiato.
- ▶ Non calpestare il cavo di alimentazione.
- ▶ Per l'alimentazione elettrica utilizzare una presa separata collegata a terra e facilmente accessibile. L'elettrodomestico deve essere collegato a terra.
- ▶ **Solo per il Regno Unito:** Il cavo di alimentazione dell'elettrodomestico è dotato di una spina a 3 conduttori (collegata a terra) adatta a una presa standard a 3 conduttori (collegata a terra). Non tagliare o smontare mai il terzo conduttore (terra). Dopo l'installazione dell'elettrodomestico, la spina deve essere accessibile.
- ▶ **AVVERTENZA:** Non danneggiare il circuito di refrigerazione.

Utilizzo quotidiano

- ▶ Questo elettrodomestico può essere utilizzato da bambini di almeno 8 anni, da persone con ridotte capacità fisiche, sensoriali o mentali e da persone inesperte solo sotto supervisione o se hanno appreso le modalità di utilizzo sicuro dell'elettrodomestico e sono consapevoli dei relativi pericoli.
- ▶ Impedire ai bambini di giocare con l'elettrodomestico.
- ▶ I bambini di età da 3 a 8 anni possono riempire e svuotare gli elettrodomestici refrigeranti, ma non devono pulirli o installarli.
- ▶ Tenere lontano dall'elettrodomestico i bambini di età inferiore a 3 anni, a meno che non siano costantemente sorvegliati.
- ▶ La pulizia e la manutenzione non devono essere effettuate dai bambini senza supervisione.
- ▶ L'elettrodomestico deve essere posizionato in modo che la spina sia accessibile.
- ▶ In caso di perdite di gas illuminante o altri gas infiammabili in prossimità dell'elettrodomestico, spegnere la valvola del gas che fuoriesce, aprire porte e finestre e non staccare la spina del cavo di alimentazione dell'elettrodomestico.
- ▶ Attendere almeno 7 minuti per ricollegare l'alimentazione dopo averla scollegata.
- ▶ Non sollevare l'elettrodomestico mantenendolo per le maniglie della porta.
- ▶ Le chiavi devono essere conservate fuori dalla portata dei bambini e non vicine all'elettrodomestico, per evitare che i bambini restino chiusi all'interno dell'elettrodomestico.

**AVVERTENZA!**

- ▶ Tenere presente che l'elettrodomestico è impostato per il funzionamento a un intervallo di temperatura ambiente specifico compreso tra 10 e 38 °C. L'elettrodomestico potrebbe non funzionare correttamente se lasciato per lunghi periodi a una temperatura superiore o inferiore all'intervallo indicato.
- ▶ Non collocare articoli instabili (oggetti pesanti, contenitori pieni d'acqua) sopra l'elettrodomestico, per evitare lesioni personali dovute a cadute o scosse elettriche causate dal contatto con l'acqua.
- ▶ Aprire e chiudere lo sportello solo adoperando le maniglie. La distanza tra lo sportello e il vano è molto limitata. Non mettere le mani in queste zone per evitare che le dita rimangano intrappolate. Aprire o chiudere gli sportelli dell'elettrodomestico solo quando non ci sono bambini nel raggio di movimento degli sportelli.
- ▶ Non conservare né utilizzare materiali esplosivi o corrosivi nell'elettrodomestico o nelle vicinanze.
- ▶ Non collocare sostanze esplosive (ad es. lattine di aerosol con propellente infiammabile) all'interno di questo elettrodomestico.
- ▶ Non conservare medicinali, batteri o sostanze chimiche nell'elettrodomestico. Questo apparecchio è un elettrodomestico. Si sconsiglia di conservare materiali che richiedono temperature rigide.
- ▶ Non impostare una temperatura inutilmente bassa nel vano cantinetta. Con impostazioni elevate possono crearsi temperature sotto zero. Attenzione: Le bottiglie possono scoppiare.
- ▶ Non toccare la superficie interna dello scomparto dell'elettrodomestico durante il funzionamento, soprattutto con le mani bagnate, poiché le mani potrebbero congelare sulla superficie.
- ▶ Per un corretto raffreddamento del vino, non sovraccaricare l'elettrodomestico.
- ▶ In caso di blackout o prima della pulizia, scollegare l'elettrodomestico. Attendere almeno 7 minuti prima di riavviare l'elettrodomestico, poiché un avvio frequente può danneggiare il compressore.
- ▶ **AVVERTENZA:** Non adoperare apparecchiature elettriche all'interno degli scomparti per la conservazione degli alimenti, a meno che non siano del tipo consigliato dal produttore. Per evitare rischi, un cavo di alimentazione danneggiato deve essere sostituito dall'assistenza clienti (v. scheda di garanzia).
- ▶ Per prolungare la durata dell'elettrodomestico, evitare di spegnerlo.
- ▶ Non collocare mai l'elettrodomestico orizzontalmente a terra. Se l'elettrodomestico è stato inclinato di oltre 45°, attendere 24 ore prima di collegarlo.

**AVVERTENZA!****Manutenzione / pulizia**

- ▶ Accertarsi che i bambini siano sorvegliati se effettuano la pulizia e la manutenzione.
- ▶ Scollegare l'elettrodomestico dalla rete elettrica prima di effettuare operazioni di manutenzione ordinaria. Attendere almeno 7 minuti prima di riavviare l'elettrodomestico, poiché un avvio frequente può danneggiare il compressore.
- ▶ Quando si scollega l'elettrodomestico, mantenere la spina e non il cavo.
- ▶ Non pulire l'elettrodomestico con spazzole rigide, spazzole metalliche, detersivi in polvere, benzina, acetato di pentile, acetone e soluzioni organiche simili, soluzioni acide o alcaline. Per la pulizia adoperare un detersivo speciale per frigoriferi/congelatori per evitare danni. Alla fine utilizzare acqua calda e una soluzione di bicarbonato di sodio (un cucchiaio di bicarbonato di sodio per litro d'acqua). Sciacquare abbondantemente con acqua e asciugare con un panno. Non adoperare detersivi in polvere o altri detersivi abrasivi. Non lavare le parti rimovibili in lavastoviglie.
- ▶ **AVVERTENZA:** Non usare oggetti meccanici o utensili diversi da quelli consigliati dal produttore per accelerare lo sbrinamento.
- ▶ Se il cavo di alimentazione è danneggiato, deve essere sostituito dal produttore, da un tecnico dell'assistenza o da una persona con analogo qualifica per evitare rischi.
- ▶ Non cercare di riparare, smontare o modificare personalmente l'elettrodomestico. Per le riparazioni rivolgersi all'assistenza clienti.
- ▶ Se le lampadine sono danneggiate, devono essere sostituite dal produttore, da un tecnico dell'assistenza o da una persona con analogo qualifica per evitare rischi.
- ▶ Eliminare la polvere sul retro dell'unità almeno una volta all'anno per scongiurare il rischio di incendio e per limitare i consumi energetici.

- ▶ Non spruzzare o schizzare liquidi sull'elettrodomestico durante la pulizia.
- ▶ Per pulire questo elettrodomestico non utilizzare apparecchi a vapore.
- ▶ Non pulire lo sportello di vetro freddo con acqua calda. Un improvviso cambiamento di temperatura può causare la rottura del vetro.
- ▶ Se l'elettrodomestico deve rimanere inutilizzato per lungo tempo, lasciarlo aperto per evitare che all'interno si generino odori sgradevoli.

Informazioni sul gas refrigerante



AVVERTENZA!

L'elettrodomestico contiene il refrigerante infiammabile ISOBUTANO (R600a). Accertarsi che il circuito del refrigerante non abbia subito danni durante il trasporto o l'installazione. La perdita di refrigerante può causare lesioni oculari o incendi. In caso di danni, tenere lontane fonti di fiamme aperte, ventilare a fondo l'ambiente, **non** collegare o scollegare i cavi di alimentazione dell'elettrodomestico o di altri apparecchi. Informare l'assistenza clienti.

In caso di contatto con gli occhi, sciacquare immediatamente con l'acqua corrente e rivolgersi immediatamente a un oculista.

AVVERTENZA: L'impianto di refrigerazione è ad alta pressione. Non manometterlo. Poiché sono utilizzati refrigeranti infiammabili, l'installazione, la movimentazione e la manutenzione dell'elettrodomestico devono essere effettuate attenendosi scrupolosamente alle istruzioni; per lo smaltimento dell'elettrodomestico, rivolgersi a un professionista o all'assistenza post-vendita.

Uso previsto


Questo elettrodomestico è destinato all'uso domestico e a utilizzi simili a quelli di seguito indicati:

- Zone cucina per il personale di officine, uffici e altri ambienti lavorativi.
 - fattorie e clienti di hotel, motel e altri ambienti residenziali;
 - bed & breakfast;
 - catering e analoghi servizi del tipo non al dettaglio.
- Per garantire la conservazione sicura del vino, attenersi a queste istruzioni per l'uso.
- Nell'altra parte del manuale sono riportate informazioni dettagliate sulla zona più appropriata nello scomparto dell'elettrodomestico dove conservare determinati tipi di alimenti, considerando la distribuzione della temperatura nei diversi scomparti dell'elettrodomestico.

Non sono consentiti cambiamenti o modifiche all'elettrodomestico. Utilizzi errati possono causare pericoli e invalidare la garanzia.

Smaltimento



Il simbolo  sul prodotto o sull'imballo indica che non può essere gestito come rifiuto domestico. Il prodotto deve essere conferito in un punto di raccolta per il riciclo delle apparecchiature elettriche ed elettroniche. Garantendo il corretto smaltimento del prodotto, è possibile evitare conseguenze negative per l'ambiente e per la salute umana. Per informazioni più dettagliate sul riciclo di questo prodotto, rivolgersi all'ente locale competente, all'azienda addetta allo smaltimento dei rifiuti domestici o al punto vendita dove è stato acquistato.

Poiché sono utilizzati gas infiammabili per l'isolamento, per lo smaltimento dell'elettrodomestico rivolgersi a un professionista o all'assistenza post-vendita.

AVVERTENZA!

Rischio di lesioni da soffocamento!

I refrigeranti e i gas devono essere smaltiti in maniera professionale. Accertarsi che la tubazione del circuito refrigerante non sia danneggiata prima di smaltirla correttamente. Scollegare l'elettrodomestico dalla rete elettrica. Tagliare il cavo di alimentazione e smaltirlo. Rimuovere vassoi e cassette, fermaporta e guarnizioni, per evitare che bambini e animali domestici rimangano chiusi nell'elettrodomestico.

- ▶ **AVVERTENZA:** Prima di effettuare la pulizia staccare la spina di alimentazione dell'elettrodomestico.
- ▶ Non pulire l'elettrodomestico con spazzole rigide, spazzole metalliche, detersivi in polvere, benzina, acetato di pentile, acetone e soluzioni organiche simili, soluzioni acide o alcaline. Per la pulizia adoperare un detergente speciale per frigoriferi per evitare danni.
- ▶ Pulire l'elettrodomestico quando è vuoto o quando contiene poco vino. È necessario pulirlo solo quando è sporco.
- ▶ Pulire l'interno e l'alloggiamento dell'elettrodomestico con una spugna inumidita in acqua calda e detergente neutro.
- ▶ Sciacquare con acqua calda e pulita e asciugare con un panno morbido.
- ▶ Non lavare i componenti dell'elettrodomestico in lavastoviglie.
- ▶ Attendere almeno 7 minuti prima di riavviare l'elettrodomestico, poiché un avvio frequente può danneggiare il compressore.



Pulire la guarnizione dello sportello:

- ▶ Le guarnizioni dello sportello devono essere pulite ogni tre mesi per garantire una tenuta adeguata. Effettuare le seguenti operazioni: rimozione: afferrare la guarnizione dello sportello ed estrarla seguendo la direzione della freccia per rimuovere l'intera guarnizione dello sportello nell'ordine.

Immergere il pennello in acqua o alcool alimentare, pulire la scanalatura della guarnizione dello sportello tirando avanti e indietro il pennello. Pulire, quindi, la superficie della guarnizione dello sportello con un asciugamano imbevuto di acqua o alcool alimentare. Lavare, infine, la guarnizione dello sportello e asciugarla con un asciugamano pulito.



Installazione della guarnizione dello sportello dopo la pulizia:

Prima dell'installazione, accertarsi che non vi sia acqua sulla guarnizione dello sportello. Inserire la guarnizione dello sportello nella scanalatura e premerla a mano dall'alto verso il basso fino a inserire l'intera guarnizione dello sportello nella scanalatura.

Pulizia dei ripiani:

- ▶ Tutti i ripiani per gli alimenti possono essere estratti per la pulizia.
- ▶ Togliere tutte le bottiglie.
- ▶ Sollevare lievemente ogni ripiano ed estrarlo.
- ▶ Pulire il ripiano con un panno morbido.
- ▶ Attendere che i ripiani siano asciutti prima di rimontarli.

AVVERTENZA:

Attendere almeno 7 minuti per ricollegare l'alimentazione dopo averla scollegata.

Controllare gli accessori e la documentazione indicati nel seguente elenco: senza isolamento.

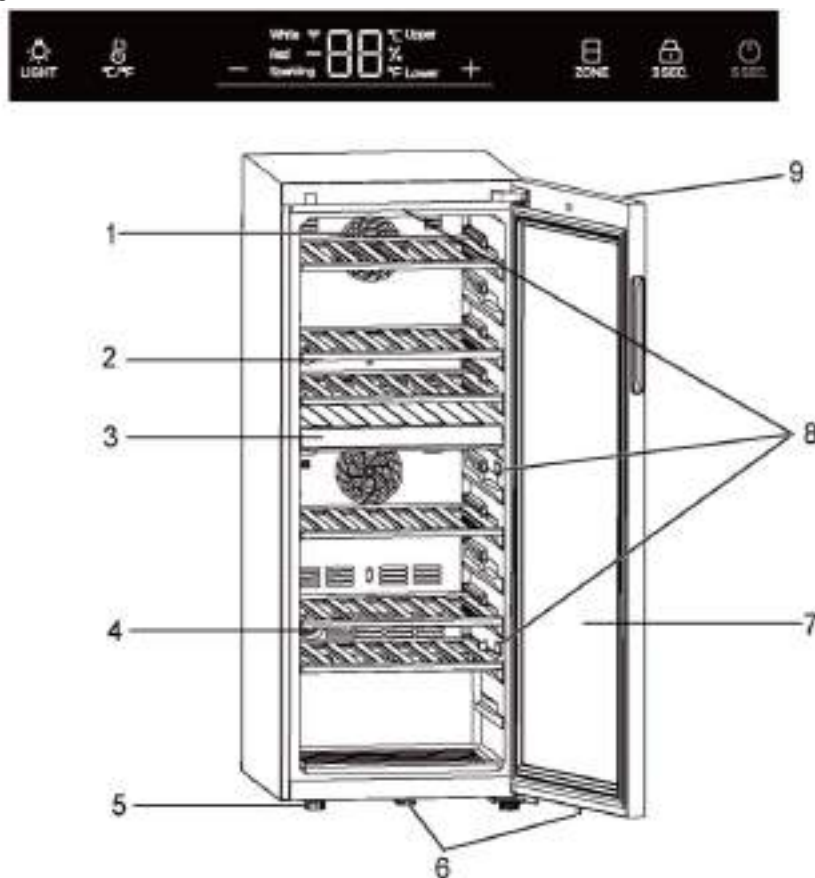
Nome	Manuale per l'utente	Scheda di servizio	Ripiano	Ripiano piccolo	Coperchio della cerniera	Etichetta energetica	Chiave	Manuale per la camma sinistra dello sportello
HWS77GDAU1	1	1	6	1	1	1	2	2
HWS42GDAU1	1	1	3	1	1	1	2	2



Avviso

A causa di modifiche tecniche e a seconda del modello, alcune illustrazioni riportate nel presente manuale possono essere diverse rispetto al modello acquistato.

Immagine dell'elettrodomestico



- | | |
|-----------------------------|--|
| 1. Ventola | 4. Serratura |
| 2. Ripiano | 7. Sportello |
| 3. Divisorio centrale | 8. Lampada a LED |
| 4. Filtro ai carboni attivi | 9. Display (sulla parte anteriore dello sportello) |
| 5. Piedini regolabili | |

1. Disimballo

- ▶ Estrarre l'elettrodomestico dall'imballo.
- ▶ Rimuovere tutti i materiali dell'imballo, compresa la base in schiuma e tutto il nastro adesivo che fissa gli accessori.

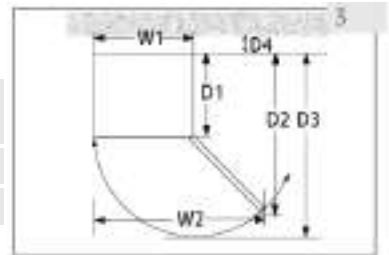
2. Condizioni ambientali

La temperatura ambiente deve essere sempre compresa tra 10 e 38 °C, poiché può influire sulla temperatura interna dell'elettrodomestico e sui consumi energetici. Non installare l'elettrodomestico vicino ad altri apparecchi che emettono calore (forni, frigoriferi) senza isolamento.

3. Requisiti di spazio

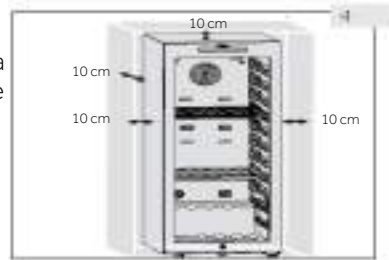
Spazio necessario per aprire lo sportello (Fig. 3):

Larghezza (mm)		Profondità (mm)			Distanza dalla parete (mm)
W1	W2	D1	D2	D3	D4
495	630	535	1033	1047	100



4. Spazio per la ventilazione

Per la sicurezza e il risparmio energetico, rispettare la distanza di ventilazione richiesta di 10 cm in tutte le direzioni (Fig. 4).



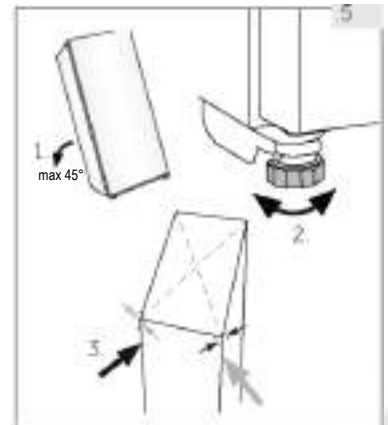
AVVERTENZA!

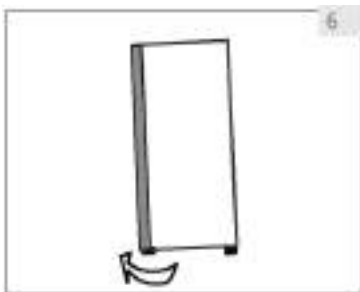
- ▶ Le aperture di ventilazione nell'elettrodomestico o nella struttura a incasso devono rimanere sempre libere.

5. Allineamento dell'elettrodomestico

Installare l'elettrodomestico su una superficie solida e piana.

1. Inclinare lievemente all'indietro l'elettrodomestico (Fig. 5).
2. Regolare i piedini anteriori regolabili sul livello desiderato ruotandoli.
3. La stabilità può essere verificata urtando alternativamente le diagonali. Il lieve ondeggiamento deve essere identico in entrambe le direzioni. In caso contrario, il telaio potrebbe deformarsi e le guarnizioni dello sportello potrebbero perdere. Una lieve inclinazione posteriore facilita la chiusura dello sportello.

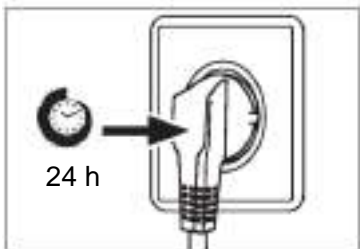




6. Regolazione precisa dello sportello

L'elettrodomestico si chiude più facilmente agendo sui i piedini di livellamento anteriori:
Ruotare i piedini regolabili (Fig. 6) per sollevarli o abbassarli:

- ▶ Ruotando i piedini in senso orario, l'elettrodomestico si solleva.
- ▶ Ruotando i piedini in senso antiorario, l'elettrodomestico si abbassa.



7. Tempo di attesa

L'olio di lubrificazione esente da manutenzione si trova nella capsula del compressore. Se l'elettrodomestico è inclinato, questo olio può percorrere il sistema di tubazioni chiuse durante il trasporto. Prima di collegare l'elettrodomestico all'alimentazione elettrica, attendere 24 ore (Fig. 7) in modo che l'olio torni nella capsula.

8. Collegamento elettrico

Prima di ogni collegamento controllare se:

- ▶ La fonte di alimentazione, la presa e i fusibili sono conformi ai dati indicati nella targhetta.
- ▶ La presa di corrente è collegata a terra e non sono utilizzate prese multiple o prolunghe.
- ▶ La spina e la presa di corrente sono inserite correttamente.

Collegare la spina a una presa domestica installata correttamente.



AVVERTENZA!

Per evitare rischi, un cavo di alimentazione danneggiato deve essere sostituito dall'assistenza clienti (v. scheda di garanzia).

9. Reversibilità dello sportello

Prima di collegare l'elettrodomestico all'alimentazione elettrica, controllare se l'apertura dello sportello deve essere invertita da destra (come consegnato) verso sinistra per facilitare l'uso.

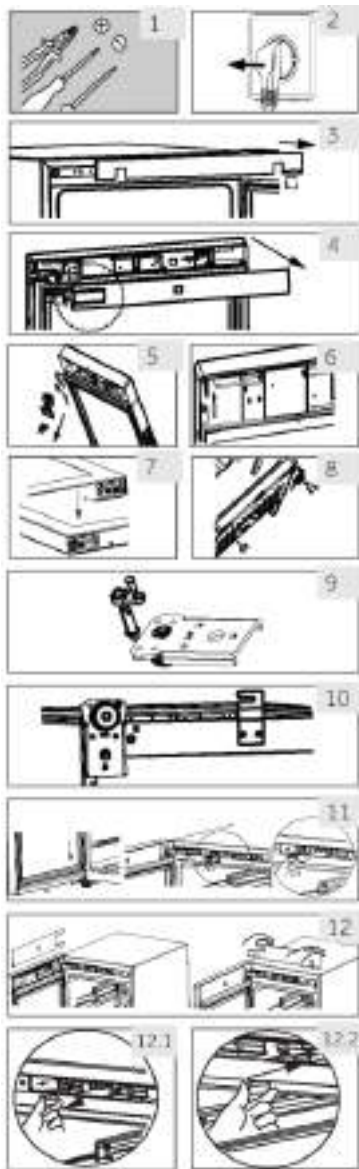


AVVERTENZA!

- ▶ L'elettrodomestico è pesante. Per invertire lo sportello occorrono due persone.
- ▶ Prima di qualunque operazione, scollegare l'elettrodomestico dalla rete elettrica.
- ▶ Non inclinare l'elettrodomestico oltre 45° per evitare danni al sistema di raffreddamento.

Fasi di montaggio

1. Procurarsi gli utensili necessari.
2. Staccare la spina dell'elettrodomestico.
3. Aprire lo sportello, togliere la striscia anteriore, procurarsi la striscia corrispondente per rimuovere il lato sinistro e collocarla sul lato destro della fessura.
4. Staccare il cavo di collegamento. Estrarre la parte superiore della guarnizione dello sportello e staccare la striscia posteriore dello sportello. (Staccarla dall'apertura laterale sinistra)
5. Togliere le 2 viti sulla cerniera superiore.
6. Togliere il coperchio e la cerniera, rimuovere il coperchio, montarlo sull'altro lato e installare la cerniera.
7. Togliere la camma e il supporto dello sportello e spostare il supporto dello sportello sull'altro lato. Installare la nuova camma fornita in dotazione.
8. Con il vano inclinato (meno di 45°), togliere la cerniera inferiore (3 viti) e conservarla.
9. Togliere la camma della cerniera inferiore e l'albero della cerniera. Installare l'albero sul lato destro della cerniera inferiore. Estrarre la camma dal sacchetto delle istruzioni e montarla sull'albero della cerniera inferiore.
10. Installare la cerniera inferiore e il piedino inferiore sull'altro lato del vano. Lubrificare la camma.
11. Installare lo sportello sull'albero della cerniera inferiore e fissare la cerniera superiore al vano con due viti. Fissare i conduttori di segnale al centro della scanalatura superiore della cerniera, estrarre il coperchio della cerniera dal sacchetto delle istruzioni e fissarlo sulla cerniera superiore.
12. Installare sullo sportello la guarnizione e la striscia. Inserire la coppia di conduttori di segnale dello sportello, spostare l'interruttore magnetico (12.1) nella fessura di montaggio destra (12.2) del vano del fascio superiore e fissare il rivestimento anteriore del vano.
13. Accertarsi che lo sportello si apra e si chiuda correttamente.



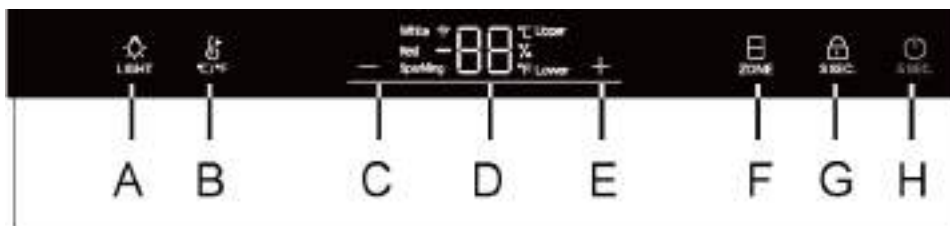
1. Prima del primo utilizzo

- ▶ Togliere tutti i materiali di imballo, compresa la base in schiuma e tutto il nastro adesivo che fissa gli accessori della cantinetta all'interno e all'esterno. Tenerli fuori dalla portata dei bambini e smaltirli nel rispetto dell'ambiente.
- ▶ Pulire l'interno e l'esterno dell'elettrodomestico con acqua e un detergente delicato prima di inserire il vino.
- ▶ Dopo aver installato l'elettrodomestico a livello e averlo pulito, attendere almeno due ore prima di collegarlo all'alimentazione. Se la cantinetta è stata inclinata per un motivo qualunque, attendere 24 ore prima di collegarla. V. la sezione INSTALLAZIONE.
- ▶ Una volta collegata l'unità a una presa di corrente, prima di effettuare qualsiasi regolazione lasciarla in funzione per almeno 30 minuti per l'acclimatamento.
- ▶ La temperatura è impostata automaticamente a 12 °C, ma è possibile modificarla manualmente. V. TEMPERATURA.

2. Tasti a sfioramento



I pulsanti del pannello di controllo sono tasti a sfioramento che si attivano quando vengono sfiorati lievemente con un dito.

3. Descrizione per il pannello di controllo



- | | |
|--|--|
| A Pulsante luce interna / Wi-Fi | E Pulsante di regolazione della temperatura: su |
| B Pulsante di conversione °C / °F | F Selezione della zona di temperatura |
| C Pulsante di regolazione della temperatura: giù | G Pulsante di blocco |
| D Display | H Pulsante di accensione |

4. Funzione di blocco automatico

Il pannello di controllo si blocca automaticamente con qualunque tasto dopo 30 secondi dall'attivazione e la spia  si accende. Per attivare il blocco tasti, premere il tasto  per 3 secondi; quando è bloccato, le luci di retroilluminazione a LED si attenuano. Il pulsante A non è bloccato.

5. Funzione del pulsante di accensione

Quando il display si sblocca, premendo per 5 secondi il pulsante H la cantinetta stacca l'alimentazione. Premere, quindi, il pulsante H per 5 secondi per accendere la cantinetta. Quando il display è bloccato, il pulsante H non funziona.

6. Impostazione della temperatura



Avviso

Preimpostazioni

- ▶ Dopo aver collegato l'unità a una presa elettrica, attendere l'acclimatamento dell'unità per almeno 30 minuti prima di effettuare qualunque regolazione.
- ▶ Quando l'elettrodomestico viene acceso dopo averlo staccato dall'alimentazione elettrica, il raggiungimento delle temperature corrette potrebbe richiedere diverse ore. Il tempo esatto varia a seconda dell'ambiente e dell'impostazione della temperatura.

1. Selezione della zona di temperatura

In stato di sblocco, l'icona è accesa. Se la visualizzazione attuale è inclusa nella zona di temperatura superiore, l'icona superiore è accesa e l'icona inferiore è spenta. A questo punto, premere il tasto per accendere l'icona inferiore e spegnere quella superiore.

2. Impostazione della temperatura

In stato di sblocco, quando l'icona "superiore" è accesa, la temperatura della zona di temperatura superiore può essere regolata:

Quando l'icona "superiore" è accesa, premere **+** o **-** per aumentare o diminuire la temperatura. Una volta raggiunta la temperatura desiderata, premere il pulsante. Una volta completata l'impostazione della temperatura, dopo 3 secondi, l'area di visualizzazione della temperatura smette di lampeggiare e l'indicazione della temperatura mostra la temperatura corrente.

L'intervallo della temperatura è compreso tra 5 e 20 °C.

Quando l'icona "inferiore" è accesa, può essere regolata la temperatura nella zona di temperatura inferiore.

Impostazioni della temperatura consigliate

Si consiglia di impostare le seguenti temperature in base alle varie tipologie di vino.

Vino rosso	Da 13 a 20 °C (da 55 a 68 °F)	Spumante prosecco	Da 5 a 8 °C (da 41 a 47 °F)
Vino bianco	Da 9 a 12 °C (da 48 a 54 °F)		

Se si conserva il vino per lunghi periodi di tempo, si consiglia una temperatura compresa tra 10 e 12 °C (da 50 a 54 °F).

7. Modalità standby

Lo schermo del display si attenua automaticamente dopo 30 secondi.

Si accende automaticamente quando si tocca un tasto qualsiasi o si apre lo sportello.

8. Impostazione della modalità di illuminazione

Premere il pulsante . Quando le luci nel vano vengono accese, si accendono gradualmente. Premendo nuovamente il pulsante , le luci si spengono gradualmente.



Avviso

Effetti sulle temperature

La temperatura nell'elettrodomestico dipende dai seguenti fattori:

- ▶ Temperatura ambiente
- ▶ Frequenza di apertura dello sportello
- ▶ Quantità di bottiglie immagazzinate
- ▶ Posizione dell'elettrodomestico

L'impostazione predefinita è 12 °C

Quando il display smette di lampeggiare, torna a indicare la temperatura corrente nella cantinetta. Per raggiungere la temperatura impostata occorrerà un po' di tempo.

9. Funzione °C/°F

Premere il pulsante  per commutare gradi Fahrenheit e Celsius.

10. Funzione di memoria di spegnimento

In caso di blackout, la cantinetta memorizza automaticamente la temperatura impostata. Al ripristino dell'alimentazione, verrà ripristinata la temperatura impostata prima del blackout.


11. Funzione di compensazione bassa temperatura

Per garantire una temperatura stabile, la cantinetta include una funzione di compensazione bassa temperatura: Quando la temperatura ambiente è inferiore a quella impostata, la cantinetta attiva automaticamente la funzione di compensazione bassa temperatura, riscaldando l'elettrodomestico. Al raggiungimento della temperatura impostata dell'elettrodomestico, la funzione di compensazione bassa temperatura si disattiva automaticamente.

12. Allarme sportello aperto

Se lo sportello viene tenuto aperto per più di 1 minuto, viene emesso un segnale acustico di allarme che si disattiva quando lo sportello viene chiuso o quando si preme un tasto qualunque sul pannello del display.

13. Visualizzazione dell'umidità

Premendo il pulsante  per 3 secondi, il display indica l'umidità. Premendo altri pulsanti, il display non mostra l'umidità.

14. Impostazione della modalità Wi-Fi

CONNETTIVITÀ PARAMETRI WIRELESS

Tecnologia	Wi-Fi	Bluetooth
Standard	IEEE 802.11 b/g/n	Bluetooth v4.2, BR/EDR, BLE
Bande di frequenza (MHz)	2401÷2483	2402÷2480
Potenza massima (mW) bande (MHz)	100	10

INFORMAZIONI SUL PRODOTTO

Modalità di attivazione del modulo Wi-Fi:

- Premere il pulsante luminoso per 3 secondi per attivare il modulo Wi-Fi.
- Il modulo Wi-Fi si accende e l'icona Wi-Fi inizia a lampeggiare.
- Se la cantinetta è attiva ma la funzionalità Wi-Fi è spenta, l'icona lampeggia.
- Se la cantinetta è attiva e collegata, l'icona Wi-Fi rimane sempre accesa.
- Per effettuare il reset della funzionalità Wi-Fi, premere il pulsante luminoso per 3 secondi

PROCEDURA DI ACCOPPIAMENTO APP

<p>Fase 1</p> <ul style="list-style-type: none"> •Scaricare l'applicazione hOn <div style="display: flex; align-items: center;">  <div style="margin-left: 10px;">   </div> </div>	
<p>Fase 2</p> <ul style="list-style-type: none"> •Accedere o effettuare la registrazione 	<p>Fase 3</p> <ul style="list-style-type: none"> •Aggiungere un nuovo elettrodomestico selezionando la cantinetta dall'elenco 

Fase 4

- Effettuare una scansione del QR o inserire manualmente il numero di serie



Fase 5

- Premere il pulsante luminoso sul prodotto per 3 secondi per attivare la funzionalità Wi-Fi



Fase 6

- Se l'icona Wi-Fi lampeggia, è in corso il processo di accoppiamento
- Il processo di accoppiamento viene effettuato entro 5 minuti
- Al termine del processo, l'icona Wi-Fi smette di lampeggiare e rimane sempre accesa

NOTA





Consigli per il risparmio energetico

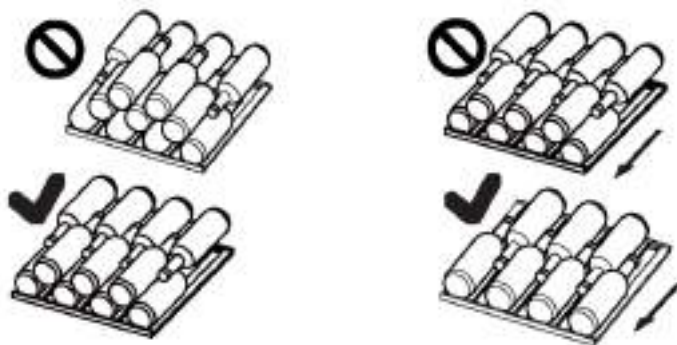
- ▶ Accertarsi che l'elettrodomestico sia adeguatamente ventilato (v. INSTALLAZIONE).
- ▶ Non installare l'elettrodomestico esposto alla luce diretta del sole o in prossimità di fonti di calore (ad es. stufe o radiatori).
- ▶ Evitare che la temperatura dell'elettrodomestico sia inutilmente bassa. Il consumo energetico aumenta quanto più bassa è la temperatura impostata nell'elettrodomestico.
- ▶ Aprire lo sportello dell'elettrodomestico senza spalancarlo e per il più breve tempo possibile.
- ▶ Per evitare ostruzioni del flusso d'aria, non superare la quantità di bottiglie indicata.
- ▶ Mantenere pulite le guarnizioni dello sportello in modo che si chiuda sempre correttamente.

1. Ripiano


1. I ripiani sono progettati per facilitare la conservazione e la rimozione del vino. Possono essere puliti con un asciugamano morbido.
2. Le bottiglie normali con diametro di 76 mm possono essere impilate.
3. Le bottiglie magnum possono essere impilate sul ripiano inferiore.
4. La quantità può variare rispetto al numero o alle bottiglie raffigurate, se impilate in modo diverso.

Consigli per organizzare la cantinetta

Il numero di bottiglie di vino non dovrebbe superare due livelli su ogni ripiano e il carico sui ripiani non dovrebbe essere superiore a 20 kg. Prima di collocare le bottiglie nella cantinetta, accertarsi che i ripiani per il vino siano perfettamente stabili. Accertarsi, inoltre, che le bottiglie non sporgano dai ripiani per evitare che urtino lo sportello di vetro quando viene chiuso.



2. Luce

La luce interna a LED si accende quando si apre lo sportello. Per accendere la luce con lo sportello chiuso, toccare il pulsante . Per spegnere le luci, toccare nuovamente il pulsante. Per incrementare l'efficienza energetica, spegnere le luci quando la cantinetta non è a vista.

3. Serratura

Per chiudere a chiave la cantinetta, chiudere lo sportello e inserire la chiave nella serratura:

- ▶ Bloccare lo sportello ruotando la chiave in senso antiorario
- ▶ Sbloccare lo sportello ruotando la chiave in senso orario.

1. Sbrinamento

Lo sbrinamento della cantinetta avviene in modo automatico e non richiede alcuna operazione manuale.

2. Sostituzione della lampada a LED

La lampada utilizza una sorgente luminosa a LED, che riduce i consumi energetici e garantisce una lunga durata. In caso di anomalie, rivolgersi all'assistenza clienti. V. ASSISTENZA CLIENTI.



AVVERTENZA!

Non sostituire personalmente la lampada a LED. La lampada a LED deve essere sostituita solo dal produttore o da un tecnico dell'assistenza autorizzato.

Parametri della lampada a LED:

Tensione 12 V; potenza max: 8 W (per HWS77GDAU1)

Tensione 12 V; potenza max: 5 W (per HWS42GDAU1)

3. Inutilizzo per lunghi periodi

Scollegare il cavo di alimentazione.

Pulire l'elettrodomestico e le guarnizioni dello sportello come descritto precedentemente.

Lasciare lo sportello aperto per evitare la produzione di cattivi odori all'interno.

4. Spostamento dell'elettrodomestico

1. Togliere tutte le bottiglie e scollegare l'elettrodomestico.
2. Fissare con nastro adesivo i ripiani e le altre parti mobili nella cantinetta.
3. Non inclinare la cantinetta oltre 45° per evitare di danneggiare il sistema di refrigerazione.

5. Ricambio dell'aria con filtro ai carboni attivi

La modalità con cui i vini continuano a maturare dipende dalle condizioni ambientali. La qualità dell'aria, quindi, è determinante per la conservazione del vino. Nella parte inferiore della parete posteriore dell'elettrodomestico è applicato un filtro ai carboni attivi per garantire sempre una qualità ottimale.



Avviso

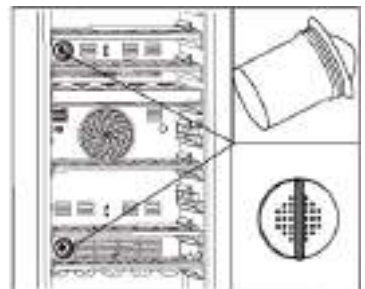
Si consiglia di sostituire il filtro una volta all'anno. I filtri sono disponibili presso il rivenditore.

Sostituzione del filtro:

Afferrare il filtro per il manico. Ruotarlo a sinistra e rimuoverlo.

Inserimento del filtro:

Inserirlo con la maniglia in posizione verticale. Ruotarlo a destra e inserirlo.



Molti problemi possono essere risolti personalmente senza particolari competenze. In caso di problemi, consultare tutte le soluzioni possibili indicate e attenersi alle seguenti istruzioni prima di contattare l'assistenza post-vendita. V. ASSISTENZA CLIENTI.



AVVERTENZA!

- ▶ Prima di effettuare la manutenzione dell'elettrodomestico, spegnerlo e staccare la spina dalla presa di corrente.
- ▶ La manutenzione delle apparecchiature elettriche deve essere effettuata solo da elettricisti qualificati, dal momento che eventuali riparazioni improprie possono causare danni notevoli.
- ▶ Se il cavo di alimentazione è danneggiato, deve essere sostituito unicamente dal produttore, da un tecnico dell'assistenza o da una persona con analogha qualifica per evitare rischi.

Codice di errore	Causa	Soluzione
rH	Quando la temperatura dello scomparto superiore è stata superiore a 25 °C per 3 ore, l'elettrodomestico emette un avviso di alta temperatura.	La temperatura ambiente è troppo alta. La temperatura di esercizio dell'elettrodomestico deve essere compresa tra 10 e 38 °C.
rL	Quando la temperatura è inferiore a 0 °C, il compressore smette di funzionare. L'avviso di bassa temperatura viene emesso quando la temperatura è stata inferiore a 0 °C per 2 ore.	La temperatura ambiente è troppo bassa. La temperatura di esercizio dell'elettrodomestico deve essere compresa tra 10 e 38 °C.

Problema	Causa possibile	Soluzione possibile
Il compressore non funziona.	<ul style="list-style-type: none"> • La spina non è collegata alla presa di corrente. 	<ul style="list-style-type: none"> • Collegare la spina alla presa di corrente.
L'elettrodomestico si aziona frequentemente o per un periodo di tempo troppo lungo.	<ul style="list-style-type: none"> • La temperatura esterna è troppo elevata. • L'elettrodomestico è rimasto spento per un certo periodo di tempo. • Uno sportello dell'elettrodomestico non è chiuso ermeticamente. • Lo sportello è stato aperto troppo spesso o troppo a lungo. • Le guarnizioni dello sportello sono sporche, usurate, danneggiate o inadeguate. • Non è garantita la circolazione dell'aria necessaria. • La temperatura impostata è troppo bassa. 	<ul style="list-style-type: none"> • In questo caso è normale che l'elettrodomestico rimanga in funzione più a lungo. • Normalmente occorre un po' di tempo prima che l'elettrodomestico si raffreddi completamente. • Chiudere lo sportello e accertarsi che l'elettrodomestico sia a livello e che non vi siano alimenti o contenitori che possano urtare lo sportello. • Non aprire lo sportello troppo spesso. • Pulire la guarnizione dello sportello o farla sostituire dall'assistenza clienti. • Garantire un'adeguata ventilazione. • Una volta raggiunta la temperatura desiderata, il problema si risolverà automaticamente.
L'interno della cantinetta è sporco e/o sono presenti cattivi odori.	<ul style="list-style-type: none"> • L'interno della cantinetta deve essere pulito. 	<ul style="list-style-type: none"> • Pulire l'interno della cantinetta.
La temperatura nell'elettrodomestico non è sufficientemente bassa.	<ul style="list-style-type: none"> • La temperatura impostata è troppo alta. • Sono state aggiunte bottiglie recentemente. • Uno sportello dell'elettrodomestico non è chiuso ermeticamente. • Lo sportello è stato aperto troppo spesso o troppo a lungo. • Le guarnizioni dello sportello sono sporche, usurate, danneggiate o inadeguate. 	<ul style="list-style-type: none"> • Effettuare il reset della temperatura. • Attendere che le bottiglie aggiunte recentemente raggiungano la temperatura desiderata. • Chiudere lo sportello. • Non aprire lo sportello troppo spesso. • Pulire la guarnizione dello sportello o farla sostituire dall'assistenza clienti.
La temperatura nell'elettrodomestico è troppo bassa.	<ul style="list-style-type: none"> • La temperatura impostata è troppo bassa. 	<ul style="list-style-type: none"> • Effettuare il reset della temperatura.
Formazione di umidità all'interno dello scomparto frigorifero.	<ul style="list-style-type: none"> • Il clima è troppo caldo e troppo umido. • Uno sportello dell'elettrodomestico non è chiuso ermeticamente. • Lo sportello è stato aperto troppo spesso o troppo a lungo. 	<ul style="list-style-type: none"> • Aumentare la temperatura. • Chiudere lo sportello. • Non aprire lo sportello o il cassetto troppo spesso.

Problema	Causa possibile	Soluzione possibile
Si accumula umidità sulla superficie esterna della cantinetta.	<ul style="list-style-type: none"> • Il clima è troppo caldo e troppo umido • Lo sportello non è chiuso ermeticamente. L'aria fredda all'interno dell'elettrodomestico e l'aria calda all'esterno formano condensa. 	<ul style="list-style-type: none"> • Ciò è normale in un clima umido e la situazione cambia al diminuire dell'umidità. • Accertarsi che lo sportello sia chiuso ermeticamente e controllare la tenuta delle guarnizioni.
L'elettrodomestico emette suoni anomali.	<ul style="list-style-type: none"> • L'elettrodomestico non si trova a livello. • L'elettrodomestico urta qualche oggetto vicino. 	<ul style="list-style-type: none"> • Regolare i piedini per collocare l'elettrodomestico a livello. • Rimuovere gli oggetti attorno all'elettrodomestico.
Si sente un lieve rumore, simile a quello dell'acqua che scorre.	<ul style="list-style-type: none"> • È normale 	<ul style="list-style-type: none"> • -
L'illuminazione interna o il sistema di raffreddamento non funziona.	<ul style="list-style-type: none"> • La spina non è collegata alla presa di corrente. • Problema della fonte di alimentazione. • La lampada a LED è fuori uso. 	<ul style="list-style-type: none"> • Collegare la spina alla presa di corrente. • Controllare l'alimentazione elettrica. Chiamare l'azienda elettrica locale. • Chiamare l'assistenza per la sostituzione.
I lati del refrigeratore e la striscia dello sportello si riscaldano	<ul style="list-style-type: none"> • È normale. 	<ul style="list-style-type: none"> • -
Lo sportello non si chiude correttamente.	<ul style="list-style-type: none"> • L'elettrodomestico non è a livello. • Lo sportello è bloccato. 	<ul style="list-style-type: none"> • Mettere a livello l'elettrodomestico agendo sui piedini di livellamento. • Accertarsi dell'assenza di ostruzioni (ad es. bottiglie o ripiani).

Specifiche del prodotto secondo il regolamento UE n. 1060/2010

Marca	Haier	Haier
Nome / identificativo del modello	HWS42GDAU1	HWS77GDAU1
Capacità nominale (n. bottiglie)	42	77
Categoria di refrigerazione domestica	2	2
Classe di efficienza energetica	A	A
Consumo energetico annuo (kWh/anno) ¹⁾	142	152
Volume di stoccaggio (litri)	106	190
Classe climatica: Questo elettrodomestico è destinato all'uso con temperature ambiente comprese tra 10 e 38 °C.	SN NST	SN NST
Emissioni acustiche (db(A) re 1pW)	37	37
Tipo di elettrodomestico	Indipendente	Indipendente
Questo elettrodomestico deve essere utilizzato solo per la conservazione del vino.	Sì	Sì
Dimensioni (P/L/A in mm)	585 / 497 / 820	585 / 497 / 1270

Descrizioni:

1) Sulla base dei risultati di test standard per 24 ore. Il consumo energetico effettivo dipende dall'ambiente reale, dalla quantità di bottiglie conservate, dalla temperatura impostata, dall'apertura e chiusura dello sportello ecc.

2) Il consumo energetico nominale è il valore ottenuto secondo la prova standard con la luce interna della cantinetta spenta.

11.3 Norme e direttive

Questo prodotto è conforme ai requisiti di tutte le direttive CE vigenti con le corrispondenti norme armonizzate che prevedono il marchio CE.

Si consiglia di rivolgersi all'Assistenza Clienti Haier e di utilizzare ricambi originali. In caso di problemi con l'elettrodomestico, controllare prima la sezione SOLUZIONE DEI PROBLEMI.

Se non si riesce a trovare una soluzione, contattare

- ▶ il rivenditore locale o
- ▶ l'area Service & Support su www.haier.com, che riporta numeri di telefono e domande frequenti e dove è possibile rivendicare la garanzia.

Per contattare l'assistenza, procurarsi i dati seguenti.

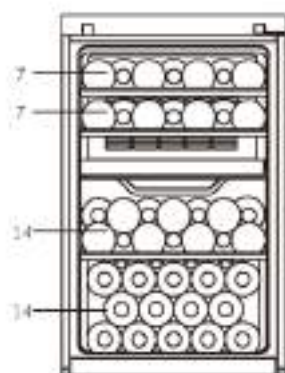
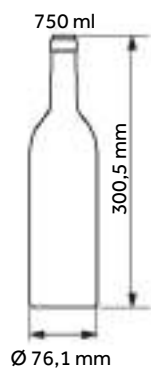
Le informazioni si trovano sulla targhetta.

Modello _____ N. di serie _____

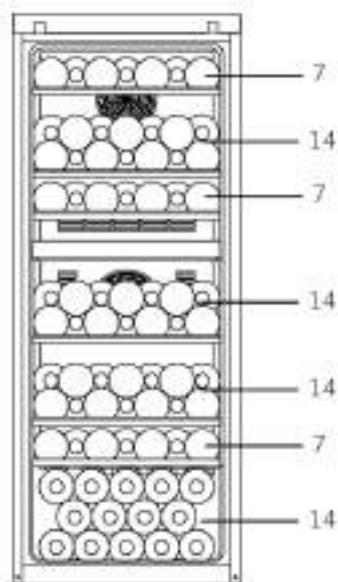
Controllare anche la scheda di garanzia fornita con il prodotto.

Per richieste di carattere generico, di seguito sono riportati i nostri indirizzi in Europa:


Indirizzi Haier europei			
Paese*	Indirizzo postale	Paese	Indirizzo postale
Italia	Haier Europe Trading SRL Via De Cristoforis, 12 21100 Varese ITALIA	Francia	Haier France SAS 3-5 rue des Graviers 92200 Neuilly sur Seine FRANCIA
Spagna Portogallo	Haier Iberia SL Pg. Garcia Faria, 49-51 08019 Barcellona SPAGNA	Belgio-FR Belgio-NL Paesi Bassi Lussemburgo	Haier Benelux SA Anderlecht Route de Lennik 451 BELGIO
Germania Austria	Haier Deutschland GmbH Hewlett-Packard-Str. 4 D-61352 Bad Homburg GERMANIA	Polonia Repubblica Ceca Ungheria Grecia Romania Russia	Haier Poland Sp. zo.o. Al. Jerozolimskie 181B 02-222 Varsavia POLONIA
Regno Unito	Haier Appliances UK Co. Ltd. One Crown Square Church Street East Woking, Surrey, GU21 6HR UK		



HWS42GDAU1
(42)



HWS77GDAU1
(77)



Manual
de usuario

Bodega de vinos

HWS77GDAU1

HWS42GDAU1

ES

Haier

Gracias por comprar un producto Haier.

Lea atentamente estas instrucciones antes de utilizar este electrodoméstico. Las instrucciones contienen información importante que le ayudará a sacar el máximo provecho del electrodoméstico y a garantizar una instalación, uso y mantenimiento seguros y adecuados.

Guarde este manual en un lugar accesible para que siempre pueda consultarlo para el uso seguro y adecuado del electrodoméstico.

Si usted vende el electrodoméstico, lo dona o lo deja atrás al mudarse, asegúrese de dejar también este manual para que el nuevo propietario pueda familiarizarse con el electrodoméstico y las advertencias de seguridad.



Leyenda

Advertencia: Información de seguridad importante



Información general y consejos



Información medioambiental

Eliminación



Ayude a proteger el medio ambiente y la salud humana. Tire el embalaje en los contenedores correspondientes para reciclarlo. Ayude a reciclar los residuos de aparatos eléctricos y electrónicos. No deseche los aparatos marcados con este símbolo con los residuos domésticos. Lleve el producto a su planta de reciclaje local o póngase en contacto con su oficina municipal.



¡ATENCIÓN!

¡Peligro de lesiones o asfixia!

Los refrigerantes y los gases deben desecharse de forma profesional. Asegúrese de que la tubería del circuito refrigerante no está dañada antes de desecharla adecuadamente. Desconecte el electrodoméstico de la red eléctrica. Corte el cable de red y deséchelo. Retire las bandejas y los cajones, así como el pestillo de la puerta y las juntas, para evitar que los niños y las mascotas se queden encerrados en el electrodoméstico.

Los electrodomésticos viejos todavía tienen algún valor residual. Un método de eliminación respetuoso con el medio ambiente garantizará que las valiosas materias primas puedan recuperarse y volver a utilizarse.

El ciclopentano, una sustancia inflamable que no daña el ozono, se utiliza como expansor para la espuma aislante.

Al garantizar que este producto se desecha correctamente, ayudará a prevenir posibles consecuencias negativas para el medio ambiente y la salud humana.

Para obtener información más detallada sobre el reciclaje de este producto, póngase en contacto con los profesionales de su ayuntamiento, su servicio de eliminación de residuos domésticos o la tienda donde compró el producto.

1- Información de seguridad	132
2- Consejos de seguridad	135
3- Mantenimiento	139
4- Accesorios.....	141
5- Descripción del producto.....	142
6- Instalación.....	143
7- Uso	146
8- Consejos de ahorro de energía	151
9- Equipo	152
10- Cuidado y limpieza.....	153
11- Solución de problemas.....	154
12- Atención al cliente	158
13- Apilamiento de las botellas de vino	159

Este electrodoméstico está destinado a ser utilizado exclusivamente para el almacenamiento de vino. Antes de encender el electrodoméstico por primera vez, lea las siguientes directrices de seguridad:



¡ATENCIÓN!

Antes del primer uso

- ▶ Asegúrese de que no haya daños causados por el transporte.
- ▶ Retire todo el embalaje, manténgalo fuera del alcance de los niños y deséchelo de forma respetuosa con el medio ambiente.
- ▶ Espere al menos dos horas antes de instalar el electrodoméstico para garantizar que el circuito refrigerante es totalmente eficiente.
- ▶ Este electrodoméstico es pesado: manipúlelo con la ayuda de otra persona.

Instalación

- ▶ Este electrodoméstico debe colocarse en un lugar bien ventilado. Asegúrese de dejar un espacio libre de al menos 10 cm por encima y alrededor del electrodoméstico.
- ▶ **ADVERTENCIA:** No obstruya las aberturas de ventilación del armazón del electrodoméstico o de la estructura integrada.
- ▶ No coloque el electrodoméstico en un área húmeda o en un lugar donde pueda recibir salpicaduras de agua. Limpie y seque las salpicaduras y manchas con un paño suave y limpio.
- ▶ No instale su bodega en ninguna ubicación que no haya sido adecuadamente aislada o calentada, p.ej.: un garaje, etc. Su bodega no está diseñada para funcionar a una temperatura ambiente inferior a 10 °C.
- ▶ No instale el electrodoméstico bajo la luz directa del sol o cerca de fuentes de calor (p.ej.: fogones, estufas...).
- ▶ Instale y nivele el electrodoméstico en un área adecuada para su tamaño y uso.
- ▶ Asegúrese de que la información eléctrica de la etiqueta de características coincida con la fuente de alimentación. Si no es así, póngase en contacto con un electricista.
- ▶ El electrodoméstico funciona mediante una fuente de alimentación de 220-240 V CA/50 Hz. Una fluctuación anormal del voltaje puede provocar que el electrodoméstico no se ponga en marcha, o que se dañe el control de temperatura o el compresor, o que se oiga un ruido anormal durante el funcionamiento. En tal caso, se deberá instalar un regulador automático.
- ▶ No utilice adaptadores de múltiples contactos ni cables de extensión.



¡ATENCIÓN!

- ▶ **ADVERTENCIA:** No coloque múltiples tomas de corriente portátiles ni fuentes de alimentación portátiles en la parte trasera del electrodoméstico.
- ▶ **ADVERTENCIA:** Al posicionar el electrodoméstico, asegúrese de que el cable de alimentación no está atrapado o dañado.
- ▶ No oprima el cable de alimentación.
- ▶ Utilice una toma de corriente a tierra separada para la fuente de alimentación a la que se pueda acceder fácilmente. Este electrodoméstico debe conectarse a tierra.
- ▶ **Solo para el Reino Unido:** El cable de alimentación de este electrodoméstico está equipado con un enchufe de 3 cables (a tierra) que se ajusta a una toma de corriente estándar de 3 cables (a tierra). No corte ni desmonte la tercera patilla (toma de tierra). Una vez instalado el electrodoméstico, el enchufe debe ser accesible.
- ▶ **ADVERTENCIA:** No dañe el circuito del refrigerante.

Uso diario

- ▶ Este electrodoméstico puede ser utilizado por niños a partir de 8 años y por personas con capacidades físicas, sensoriales o mentales reducidas, o sin experiencia o conocimientos previos, siempre y cuando hayan recibido la supervisión y las instrucciones necesarias para utilizar el electrodoméstico de forma segura y comprendan los riesgos que implica.
- ▶ Los niños no deben jugar con este electrodoméstico.
- ▶ Se permite que los niños de 3 a 8 años llenen y vacíen electrodomésticos de refrigeración, pero no están autorizados a limpiarlos e instalarlos.
- ▶ Mantenga alejados del electrodoméstico a los niños menores de 3 años a menos que estén constantemente supervisados.
- ▶ Las operaciones de limpieza y mantenimiento no deben ser realizadas por niños sin supervisión.
- ▶ El electrodoméstico debe colocarse de manera que sea accesible.
- ▶ Si se filtra gas de hulla u otro gas inflamable en las proximidades del electrodoméstico, apague la válvula del gas filtrado, abra las puertas y ventanas y no desconecte el cable de alimentación del electrodoméstico.
- ▶ Espere al menos 7 minutos antes de volver conectar la alimentación después de desconectarla.
- ▶ No levante el electrodoméstico por las asas de la puerta.
- ▶ Las llaves deben mantenerse fuera del alcance de los niños y lejos del electrodoméstico para evitar que los niños se queden encerrados dentro.



¡ATENCIÓN!

- ▶ Tenga en cuenta que el electrodoméstico está configurado para funcionar en un rango de temperatura específico de entre 10 y 38 °C. El electrodoméstico puede no funcionar correctamente si se deja durante mucho tiempo a una temperatura superior o inferior al intervalo indicado.
- ▶ No coloque artículos inestables (objetos pesados, recipientes llenos de agua) en la parte superior del electrodoméstico, a fin de evitar lesiones personales causadas por caídas o descargas eléctricas causadas por el contacto con el agua.
- ▶ Abra y cierre la puerta solamente usando las asas. El espacio entre la puerta y el armario es muy estrecho. No ponga las manos en estas áreas para evitar pillarse los dedos. Abra o cierre las puertas del electrodoméstico solo cuando no haya niños dentro del área de movimiento de la puerta.
- ▶ No almacene ni utilice elementos inflamables, explosivos o corrosivos en el electrodoméstico ni cerca de él.
- ▶ No almacene en este electrodoméstico sustancias explosivas, como botes de aerosol con propelente inflamable.
- ▶ No almacene medicamentos, bacterias ni agentes químicos en el electrodoméstico. Esto es un electrodoméstico. No se recomienda almacenar materiales que requieran temperaturas extremas.
- ▶ No ajuste una temperatura innecesariamente baja en el compartimento de la cámara de vino. En los ajustes altos pueden darse temperaturas bajo cero. Atención: Las botellas pueden reventar.
- ▶ No toque la superficie interior del compartimento del electrodoméstico cuando esté en funcionamiento, especialmente con las manos mojadas, ya que las manos pueden congelarse en la superficie.
- ▶ Para una refrigeración adecuada del vino, no sobrecargue el electrodoméstico.
- ▶ Desenchufe el electrodoméstico en caso de interrupción del suministro eléctrico o antes de limpiarlo. Deje pasar al menos 7 minutos antes de reiniciar el electrodoméstico, ya que el arranque frecuente puede dañar el compresor.
- ▶ **ADVERTENCIA:** No utilice dispositivos eléctricos dentro del electrodoméstico, a menos que sean del tipo recomendado por el fabricante. Para evitar riesgos, solo el servicio de atención al cliente debe reemplazar un cable de alimentación dañado (ver tarjeta de garantía).
- ▶ Para prolongar la vida útil del electrodoméstico, evite apagarlo.
- ▶ No coloque el electrodoméstico horizontalmente sobre el suelo. Después de inclinar el electrodoméstico más de 45°, espere 24 horas antes de enchufarlo.



¡ATENCIÓN!

Mantenimiento / limpieza

- ▶ Asegúrese de que los niños están bajo supervisión si realizan tareas de limpieza y mantenimiento.
- ▶ Desconecte el electrodoméstico de la red eléctrica antes de realizar cualquier mantenimiento rutinario. Deje pasar al menos 7 minutos antes de reiniciar el electrodoméstico, ya que el arranque frecuente puede dañar el compresor.
- ▶ Cuando desenchufe el electrodoméstico, hágalo agarrando la clavija, no el cable.
- ▶ No limpie el electrodoméstico con cepillos duros, cepillos de alambre, detergente en polvo, gasolina, acetato de amilo, acetona y soluciones orgánicas similares, soluciones ácidas o alcalinas. Limpie con un detergente especial para frigoríficos/congeladores para evitar daños. Finalmente, use una solución de agua tibia y bicarbonato (aproximadamente una cucharada de bicarbonato en un litro/cuarto de agua). Enjuague abundantemente con agua y seque con un trapo. No utilice limpiadores en polvo u otros limpiadores abrasivos. No lave las piezas extraíbles en el lavavajillas.
- ▶ **ADVERTENCIA:** No utilice dispositivos mecánicos ni otros equipos para acelerar el proceso de descongelación, salvo aquellos recomendados por el fabricante.
- ▶ Si el cable de alimentación está dañado, debe ser sustituido por el fabricante, por su servicio técnico o por cualquier profesional cualificado similar para evitar riesgos.
- ▶ No intente reparar, desmontar o modificar este electrodoméstico usted mismo. En caso de reparación, póngase en contacto con nuestro servicio de atención al cliente.
- ▶ Si las luces están dañadas, deben ser sustituidas por el fabricante, por su servicio técnico o por cualquier profesional cualificado similar para evitar riesgos.
- ▶ Saque el polvo de la parte posterior de la unidad al menos una vez al año para evitar el riesgo de incendio, así como un mayor consumo de energía.

- ▶ No rocíe ni enjuague el electrodoméstico durante la limpieza.
- ▶ No use agua pulverizada o vapor para limpiar el electrodoméstico.
- ▶ No limpie la puerta de cristal fría con agua caliente. El cambio repentino de temperatura puede causar que el vidrio se rompa.
- ▶ Si deja el electrodoméstico fuera de uso durante un periodo prolongado, déjelo abierto para evitar que se acumulen malos olores en el interior.

Información sobre gases refrigerantes



Este electrodoméstico contiene el refrigerante inflamable ISOBUTANO (R600a). Asegúrese de no dañar el circuito refrigerante durante el transporte o la instalación. La fuga de refrigerante puede causar lesiones oculares o incendios. Si se produce algún daño, mantenga alejadas las fuentes de fuego abiertas, ventile a fondo la habitación y **no** conecte o desconecte los cables de alimentación de este o cualquier otro electrodoméstico. Informe al servicio de atención al cliente.

En caso de que los ojos entren en contacto con el refrigerante, enjuáguelos inmediatamente con agua corriente y llame inmediatamente a un oftalmólogo.

ADVERTENCIA: El sistema de refrigeración está bajo alta presión. No lo fuerce. Dado que se utilizan refrigerantes inflamables, siga estrictamente las instrucciones de instalación, manipulación y mantenimiento del electrodoméstico y póngase en contacto con un técnico profesional o con nuestro servicio posventa para desecharlo.

Uso previsto


Este electrodoméstico está diseñado para uso doméstico y aplicaciones similares, tales como:

- Cocinas para personal en tiendas, oficinas y otros entornos de trabajo.
 - Granjas y el uso por clientes en hoteles, moteles y otros entornos de tipo residencial.
 - Entornos tipo pensión.
 - Catering y aplicaciones similares no minoristas.
- Para garantizar la conservación segura del vino, siga las instrucciones de uso.
- Los detalles sobre la zona de almacenamiento más apropiada para determinados tipos de alimentos, teniendo en cuenta la distribución de la temperatura en los distintos compartimentos del electrodoméstico, se encuentran en la otra parte del manual.

No se permite realizar cambios o modificaciones en el electrodoméstico. Un uso no previsto puede causar riesgos y la pérdida de reclamaciones de garantía.

Eliminación



El símbolo  presente en el producto o en su embalaje indica que este producto no puede ser tratado como residuo doméstico. Por el contrario, debe llevarse al punto de recogida pertinente para el reciclado de equipos eléctricos y electrónicos. Asegurándose de que este producto se elimina correctamente, ayudará a evitar posibles consecuencias negativas para el medio ambiente y la salud humana, provocadas por una eliminación inadecuada de este producto. Para obtener información más detallada sobre el reciclaje de este producto, póngase en contacto con los profesionales de su ayuntamiento, su servicio de eliminación de residuos domésticos o la tienda donde compró el producto.

Dado que se utilizan gases expansivos de aislamiento inflamables, póngase en contacto con un técnico profesional o con nuestro servicio posventa para desecharlo.

¡ATENCIÓN!

¡Peligro de lesiones o asfixia!

Los refrigerantes y los gases deben desecharse de forma profesional. Asegúrese de que la tubería del circuito refrigerante no está dañada antes de desecharla adecuadamente. Desconecte el electrodoméstico de la red eléctrica. Corte el cable de red y deséchelo. Retire las bandejas y los cajones, así como el pestillo de la puerta y las juntas, para evitar que los niños y las mascotas se queden encerrados en el electrodoméstico.

- ▶ **ADVERTENCIA:** Desconecte el electrodoméstico de la fuente de alimentación antes de limpiarlo.
- ▶ No limpie el electrodoméstico con cepillos duros, cepillos de alambre, detergente en polvo, gasolina, acetato de amilo, acetona y soluciones orgánicas similares, soluciones ácidas o alcalinas. Limpie con un detergente especial para frigoríficos para evitar daños.
- ▶ Limpie el electrodoméstico solo cuando haya poco o ningún vino guardado. Solo es necesario limpiarlo cuando está sucio.
- ▶ Limpie el interior y el armazón del electrodoméstico con una esponja humedecida en agua tibia y detergente neutro.
- ▶ Enjuague con agua tibia limpia y seque con un paño suave.
- ▶ No limpie ninguna de las piezas o partes de este electrodoméstico en un lavavajillas.
- ▶ Deje pasar al menos 7 minutos antes de reiniciar el electrodoméstico, ya que el arranque frecuente puede dañar el compresor.



Limpieza de la junta de la puerta:

- ▶ Las juntas de la puerta deben limpiarse cada 3 meses para garantizar un sellado adecuado. Según se indica a continuación: Extracción: Agarre la junta de la puerta y tire de ella de acuerdo con la dirección que indica la flecha para sacar toda la junta de la puerta.

Sumerja el cepillo con agua o alcohol de grado alimenticio y limpie la junta de la puerta primero moviendo el cepillo hacia atrás y hacia fuera. Luego limpie la superficie de la junta de la puerta con un trapo empapado en agua o alcohol de grado alimenticio. Finalmente, lave la junta de la puerta y séquela con un trapo limpio.



Instalación de la junta de la puerta después de la limpieza:

Antes de la instalación, asegúrese de que no haya agua en la junta. Introduzca la junta de la puerta en la ranura y presione firmemente con la mano de la parte superior a la parte inferior hasta que toda la junta se inserte en la ranura.

Limpieza de los estantes:

- ▶ Todos los estantes se pueden sacar para su limpieza.
- ▶ Saque todas las botellas.
- ▶ Levante un poco cada estante y extráigalo.
- ▶ Limpie el estante con un trapo suave.
- ▶ Espere a que los estantes estén secos antes de volver a colocarlos.

ADVERTENCIA:

Espere al menos 7 minutos antes de volver a conectar la alimentación después de desconectarla.

Compruebe los accesorios y guías de acuerdo con esta lista: sin aislamiento.

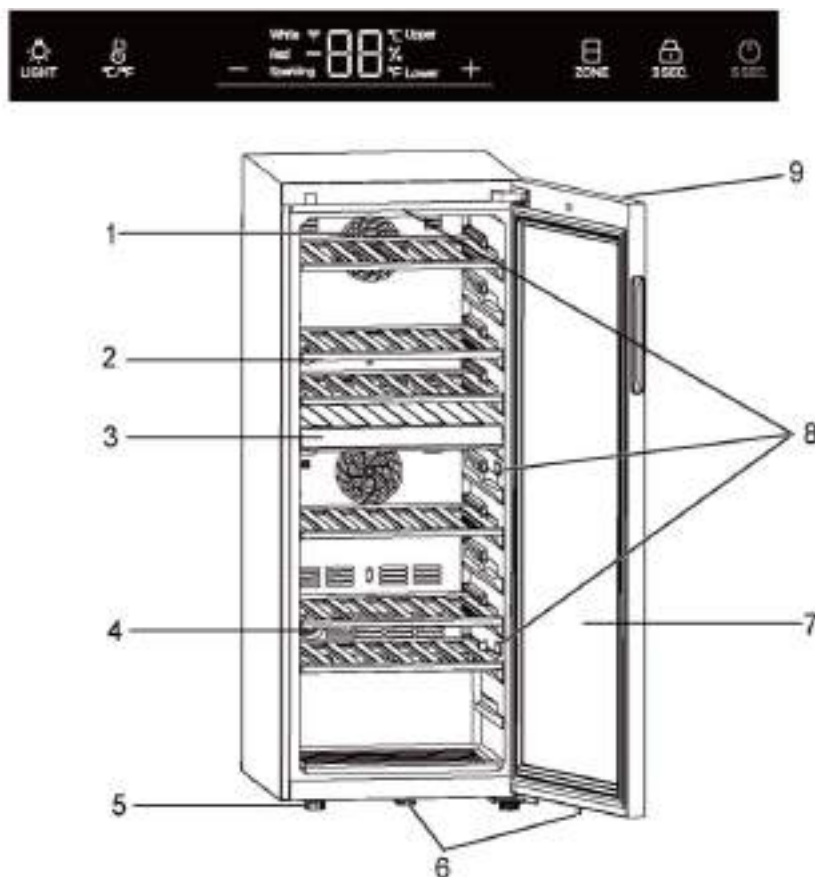
Nombre	Manual de usuario	Tarjeta de servicio	Estante	Estante pequeño	Tapa de la bisagra	Etiqueta energética	Llave	Leva izquierda manual de la puerta
HWS77GDAU1	1	1	6	1	1	1	2	2
HWS42GDAU1	1	1	3	1	1	1	2	2



Aviso

Debido a cambios técnicos y a las diferencias entre modelos, algunas de las ilustraciones de este manual pueden diferir de su modelo.

Imagen del electrodoméstico



- | | |
|----------------------------|--|
| 1. Ventilador | 6. Cierre |
| 2. Estante | 7. Puerta |
| 3. Partición media | 8. Lámpara LED |
| 4. Filtro de carbón activo | 9. Pantalla (en la parte delantera de la puerta) |
| 5. Patas ajustables | |

1. Desempaquetado

- Saque el electrodoméstico de su embalaje.
- Retire todos los materiales de embalaje, incluyendo la base de espuma y toda la cinta adhesiva que sujeta los accesorios.

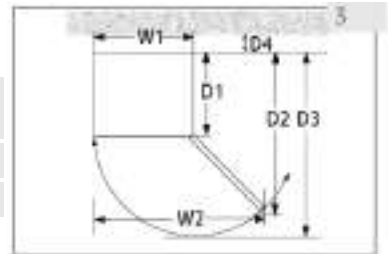
2. Condiciones ambientales

La temperatura ambiente debe estar siempre entre 10 °C y 38 °C, ya que puede influir en la temperatura del interior del electrodoméstico y su consumo energético. No instale el electrodoméstico cerca de otros electrodomésticos emisores de calor (hornos, neveras) sin aislamiento.

3. Requisitos de espacio

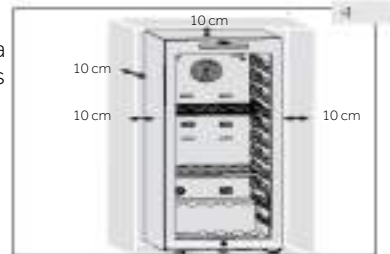
Espacio necesario para abrir la puerta (Fig. 3):

Ancho en mm		Profundidad en mm			Distancia a la pared en mm
W1	W2	D1	D2	D3	D4
495	630	535	1033	1047	100



4. Espacio de ventilación

Por razones de seguridad y energía, debe respetarse la distancia de ventilación necesaria de 10 cm en todas direcciones (Fig. 4).



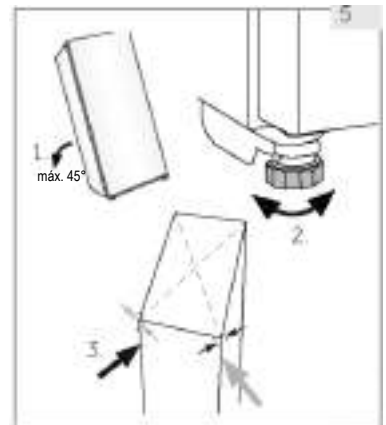
¡ATENCIÓN!

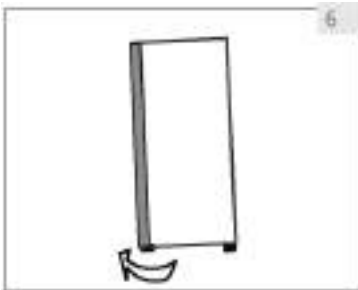
- No obstruya las aberturas de ventilación del armazón del electrodoméstico o de la estructura integrada.

5. Nivelación del electrodoméstico

Este electrodoméstico debe colocarse sobre una superficie plana y sólida.

1. Incline el electrodoméstico ligeramente hacia atrás (Fig. 5).
2. Ajuste las patas delanteras ajustables al nivel deseado haciéndolas girar.
3. Puede comprobarse la estabilidad golpeando alternativamente las diagonales. El ligero bamboleo debe ser el mismo en ambas direcciones. De lo contrario, el marco puede deformarse y resultar en fugas en las juntas de la puerta. Una ligerísima inclinación hacia atrás facilita el cierre de la puerta.

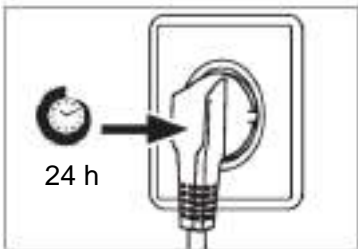




6. Ajuste de la puerta

El electrodoméstico se cierra más fácilmente si se utilizan las patas ajustables situadas en la parte delantera: Gire las patas ajustables (Fig. 6) para elevarlas o bajarlas:

- ▶ Girar las patas en sentido horario eleva el electrodoméstico.
- ▶ Girar las patas en sentido antihorario baja el electrodoméstico.



7. Tiempo de espera

El aceite de lubricación sin mantenimiento se encuentra en la cápsula del compresor. Este aceite puede pasar por el sistema de tuberías cerradas durante el transporte si el electrodoméstico está inclinado. Antes de conectar el electrodoméstico a la fuente de alimentación, espere 24 horas (Fig. 7) para que el aceite vuelva a entrar en la cápsula.

8. Conexión eléctrica

Antes de cada conexión, compruebe si:

- ▶ La fuente de alimentación, la toma de corriente y el fusible son adecuados para la placa de clasificación.
- ▶ La toma de corriente tiene conexión a tierra y no tiene múltiples contactos ni extensiones.
- ▶ El enchufe y la toma de corriente están bien ajustados.

Conecte el enchufe a una toma de corriente doméstica correctamente instalada.



¡ATENCIÓN!

Para evitar riesgos, solo el servicio de atención al cliente debe reemplazar un cable de alimentación dañado (ver tarjeta de garantía).

9. Reversibilidad de la puerta

Antes de conectar el electrodoméstico a la fuente de alimentación, debe comprobar si la apertura de la puerta debe cambiar de derecha (por defecto) a izquierda por la ubicación de instalación y la facilidad de uso.

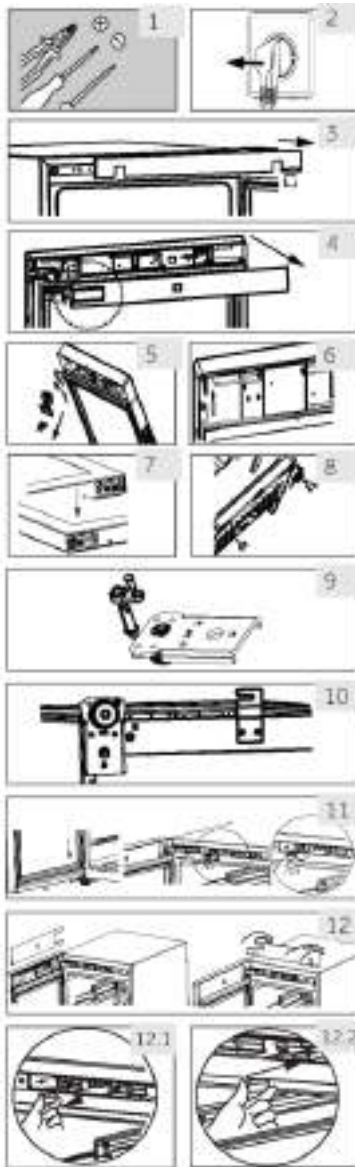


¡ATENCIÓN!

- ▶ Este es un electrodoméstico pesado. Se necesitan dos personas para cambiar la reversibilidad de la puerta.
- ▶ Antes de realizar cualquier operación, desenchufe el electrodoméstico de la red eléctrica.
- ▶ No incline el electrodoméstico más de 45° para evitar daños en el sistema de refrigeración.

Pasos de montaje

1. Consiga las herramientas necesarias.
2. Desenchufe el electrodoméstico.
3. Abra la puerta, desmonte la tira delantera y encuentre la tira correspondiente para retirar el lado izquierdo y colocarlo en el lado derecho del hueco.
4. Desenchufe el cable de conexión. Tire de la parte superior de la junta de la puerta y desmonte la tira trasera de la puerta. (Retirar de la abertura lateral izquierda).
5. Retire 2 tornillos de la bisagra superior.
6. Retire la tapa y la bisagra, retire la cubierta del eje y luego monte en el otro lado. Luego instale la bisagra en el eje.
7. Retire la leva y el soporte de la puerta, mueva el soporte de la puerta a otro lado de la puerta. Instale la nueva leva.
8. Armario inclinado (menos de 45°), retire la bisagra inferior (3 tornillos) de reserva.
9. Retire la leva inferior de la bisagra y el eje de la bisagra. Instale el eje en el lado derecho de la bisagra inferior. Saque la leva de la bolsa de instrucciones e instálela en el eje inferior de la bisagra.
10. Instale la bisagra inferior y la pata inferior en el otro lado del armario. Lubrique la leva.
11. Instale la puerta en el eje inferior de la bisagra y fije la bisagra superior al armario con dos tornillos. Fije los cables de señal en el centro de la ranura superior de la bisagra, tome la tapa de la bisagra de la bolsa de instrucciones y fíjela a la bisagra superior.
12. Instale la junta de la puerta y la tira de la puerta en la puerta. Introduzca el par de cables de señal de la puerta, mueva el interruptor magnético (12.1) a la ranura de montaje derecha (12.2) de la viga superior y acople el embellecedor frontal del armario.
13. Asegúrese de que la puerta puede abrirse y cerrarse bien.



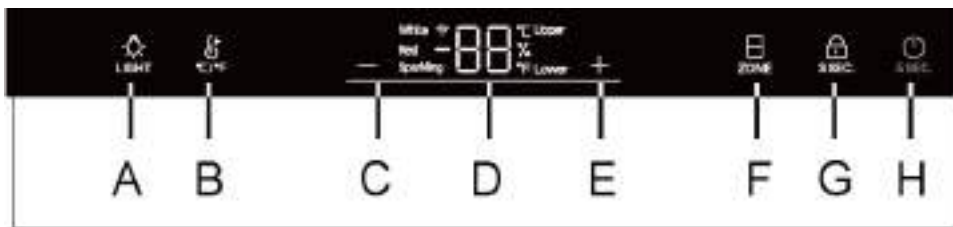
1. Antes del primer uso

- ▶ Retire todos los materiales de embalaje. Esto incluye la base de espuma y toda la cinta adhesiva que sujeta los accesorios de la bodega por dentro y por fuera. Manténgalos fuera del alcance de los niños y deséchelos de forma respetuosa con el medio ambiente.
- ▶ Limpie el interior y el exterior del electrodoméstico con agua y un detergente suave antes de introducir cualquier vino en él.
- ▶ Después de nivelar y limpiar el electrodoméstico, espere al menos 2 horas antes de conectarlo a la fuente de alimentación. Si su bodega se ha inclinado por cualquier razón, espere 24 horas antes de enchufarla. Consulte la sección Instalación.
- ▶ Una vez que haya enchufado la unidad a una toma de corriente eléctrica, déjela en funcionamiento durante al menos 30 minutos para que se aclimate antes de realizar cualquier ajuste.
- ▶ La temperatura se ajusta automáticamente a 12 °C. Si lo desea, puede cambiar la temperatura manualmente. Consulte la sección Temperatura.

2. Teclas táctiles



Los botones del panel de control son teclas táctiles, que responden cuando las toca ligeramente con el dedo.

3. Descripción del panel de control



- | | | | |
|---|--|---|--|
| A | Luz interior/botón WiFi | E | Botón de ajuste de la temperatura: más |
| B | Botón de conversión °C/°F | F | Selección de la zona de temperatura |
| C | Botón de ajuste de la temperatura: menos | G | Botón de bloqueo |
| D | Pantalla | H | Botón de encendido |

4. Función de bloqueo automático

El panel de control se bloquea automáticamente después de 30 segundos de ser activado, el símbolo  se ilumina. Para activar el bloqueo del teclado, mantenga pulsado el botón  durante 3 segundos. Cuando se bloquea, la luz LED retroiluminada se atenúa. El botón A no se bloquea.

5. Función del botón de encendido

Cuando la pantalla esté desbloqueada, pulse el botón H durante 5 segundos: la bodega cortará el suministro de energía. A continuación, pulse el botón H durante 5 segundos: la bodega de vinos se encenderá. Cuando la pantalla está bloqueada, el botón H no funciona.

6. Ajuste de la temperatura





Aviso

Ajustes preestablecidos



- ▶ Una vez que haya enchufado la unidad a una toma de corriente eléctrica, déjela en funcionamiento durante al menos 30 minutos para que se aclimate antes de realizar cualquier ajuste.
- ▶ Cuando se enciende el electrodoméstico después de desconectarlo de la fuente de alimentación principal, alcanzar las temperaturas correctas puede tomar varias horas. El tiempo exacto variará dependiendo del entorno y del ajuste de temperatura.

1. Selección de la zona de temperatura

En el estado de desbloqueo, el icono  está completamente encendido. Si la pantalla actual está en la zona de temperatura superior, el icono superior estará encendido y el icono inferior estará apagado. En este momento, pulse la tecla : el icono inferior se encenderá y el icono superior se apagará.

2. Ajuste de la temperatura

En el estado de desbloqueo, cuando el icono «superior» está encendido se puede ajustar la temperatura de la zona de temperatura superior.

Pulse  o  cuando el icono «superior» esté encendido para aumentar o disminuir la temperatura. Cuando haya alcanzado la temperatura deseada, pulse el botón. 3 segundos después de completar el ajuste de temperatura, el área de visualización de temperatura dejará de parpadear y la pantalla de temperatura mostrará la temperatura actual.

El rango de temperatura es de 5 a 20 grados.

Cuando el icono «inferior» está encendido, se puede ajustar la temperatura de la zona de temperatura inferior.

Ajustes de temperatura recomendados

Estas son las temperaturas de degustación para los distintos tipos de vino.

Vino tinto	De +13 °C a +20 °C (de +55 °F a +68 °F)	Vino espumoso, Prosecco	De +5 °C a +8 °C (de +41 °F a +47 °F)
Vino blanco	De +9 °C a +12 °C (de +48 °F a +54 °F)		



Si almacena vino durante largos períodos de tiempo, debe guardarlos a una temperatura comprendida entre +10 °C y +12 °C (50 °F y +54 °F).

7. Modo de espera

La pantalla de visualización se atenúa automáticamente 30 segundos.

Se enciende automáticamente cuando se toca cualquier tecla o se abre la puerta.

8. Configuración del modo de iluminación

Pulse el botón . Cuando las luces del armario se encienden, las luces se iluminan gradualmente. Cuando se vuelve a pulsar el botón , las luces se apagan gradualmente.



Aviso

Influencias en las temperaturas

La temperatura del interior del electrodoméstico se ve afectada por los siguientes factores:

- ▶ Temperatura ambiente
- ▶ Cantidad de botellas almacenadas
- ▶ Frecuencia de apertura de la puerta
- ▶ Ubicación del electrodoméstico

La configuración predeterminada es de 12 °C.

Cuando la pantalla deja de parpadear, vuelve a mostrar la temperatura actual dentro de la bodega. Alcanzar la temperatura establecida tomará algún tiempo.

9. Función °C/°F

Pulse el botón  para cambiar entre Fahrenheit y Celsius.

10. Función de memoria de apagado

Si se produce un corte de energía, la bodega guardará automáticamente la temperatura ajustada. Cuando vuelva la luz, volverá a funcionar según la temperatura establecida antes del corte de energía.


11. Función de compensación de baja temperatura

La bodega tiene una función de compensación de baja temperatura para garantizar la estabilidad de la temperatura: Cuando la temperatura ambiente es inferior a la temperatura ajustada, la bodega inicia automáticamente la función de compensación de baja temperatura calentando el electrodoméstico. Cuando la temperatura del electrodoméstico alcanza la temperatura ajustada, la función de compensación de baja temperatura se apaga automáticamente.

12. Alarma de apertura de la puerta

Si la puerta se mantiene abierta durante más de 1 minuto, la alarma emitirá un pitido hasta que la puerta esté cerrada o se toque cualquier tecla en el panel de visualización.

13. Pantalla de humedad

Pulse el botón  durante 3 segundos: el área de la pantalla mostrará la humedad. A continuación, pulse los otros botones: la pantalla dejará de mostrar la humedad.

14. Configuración del modo WiFi

CONECTIVIDAD

PARÁMETROS DE CONEXIÓN INALÁMBRICA

Tecnología	Wifi	Bluetooth
Estándar	IEE 802.11 b/g/n	Bluetooth v4.2, BR/EDR, BLE
Bandas de frecuencia [MHz]	2401÷2483	2402÷2480
Banda(s) [MHz] de potencia máxima [mW]	100	10

INFORMACIÓN DEL PRODUCTO

Cómo activar el módulo WiFi:

- Pulse el botón de iluminación durante 3 segundos.
- Cuando se enciende el módulo WiFi, el icono de WiFi empieza a parpadear.
- Si la bodega está registrada pero el WiFi está apagado, el icono parpadeará.
- Si la bodega está registrada y conectada, el icono WiFi permanece con una iluminación fija.
- Para restablecer la conexión WiFi, pulse la luz durante 3 segundos.

PROCEDIMIENTO DE EMPAREJAMIENTO EN LA APLICACIÓN

Paso 1

- Descargue la aplicación hOn de la tienda de aplicaciones.



Paso 2

- Regístrese o inicie sesión.



Paso 3

- Añada un nuevo electrodoméstico seleccionando la bodega de la lista.



Paso 4

- Escanee el código QR o introduzca manualmente el número de serie.



Paso 5

- Pulse el botón de luz del producto durante 3 segundos para activar el WiFi.



Paso 6

- El icono WiFi parpadeará, el proceso de emparejamiento está en curso.
- Tendrá 5 minutos para completar el proceso de emparejamiento.
- Una vez finalizado el proceso, el icono WiFi dejará de parpadear y permanecerá encendido de forma constante.

NOTA



Consejos de ahorro de energía

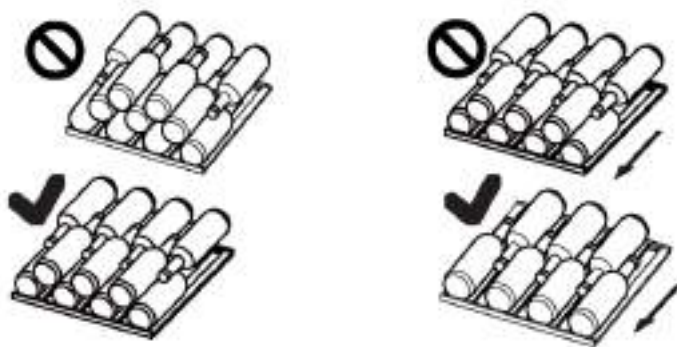
- ▶ Asegúrese de que el electrodoméstico esté bien ventilado (consulte la sección Instalación).
- ▶ No instale el electrodoméstico bajo la luz directa del sol o cerca de fuentes de calor (p.ej.: fogones, estufas..).
- ▶ Evite una temperatura innecesariamente baja en el electrodoméstico. El consumo de energía aumenta la temperatura del electrodoméstico.
- ▶ Abra la puerta del electrodoméstico lo menos y lo más brevemente posible.
- ▶ No supere la cantidad de botellas para la que está diseñado este electrodoméstico para evitar obstruir el flujo de aire.
- ▶ Mantenga las juntas de la puerta limpias para que la puerta se cierre siempre correctamente.

1. Estante


1. Los estantes están diseñados para almacenar y extraer fácilmente el vino. Se pueden limpiar con un trapo suave.
2. Se pueden apilar botellas normales de 76 mm de diámetro.
3. Las botellas mágnium se pueden apilar en el estante inferior.
4. La cantidad puede diferir del número de botellas de la imagen si se apilan de forma diferente.

Consejos para la distribución de su bodega

Recomendamos que el número de botellas de vino no supere las dos capas en cada estante y que el peso a soportar por los estantes no supere los 20 kg. Antes de colocar las botellas en la bodega, confirme si los estantes son o no completamente estables. Además, compruebe que ninguna botella sobresalga de los estantes para evitar que ninguna botella golpee la puerta de cristal al cerrarse.



2. La luz

La luz interior LED se enciende cuando se abre la puerta. Para encender la luz mientras la puerta está cerrada, toque el botón . Para apagar las luces, vuelva a pulsar el botón. Para aumentar la eficiencia energética, las luces deben apagarse cuando no se esté mirando la bodega.

3. El cierre

Para cerrar la bodega, cierre la puerta y ponga la llave en la cerradura:

- ▶ Bloquee la puerta girando la llave en sentido antihorario.
- ▶ Desbloquee la puerta girando la llave en sentido horario.

1. Descongelación

La descongelación de la bodega se realiza automáticamente; no se requiere ninguna operación manual.

2. Sustitución de la lámpara LED

La lámpara utiliza LED como fuente de luz, con bajo consumo energético y larga vida útil. Si detecta alguna anomalía, póngase en contacto con el servicio de atención al cliente. Consulte la sección de Atención al cliente.



¡ATENCIÓN!

No cambie la lámpara LED usted mismo. Solo debe cambiarla el fabricante o un técnico autorizado.

Parámetros de la lámpara LED:

Voltaje 12 V; máxima potencia: 8 W (forHWS77GDAU1)

Voltaje 12 V; máxima potencia: 5 W (forHWS42GDAU1)

3. Si no la usa durante un largo periodo de tiempo

Desenchufe el cable de la toma de corriente.

Limpie el electrodoméstico y las juntas de la puerta como se ha descrito anteriormente.

Mantenga las puertas abiertas para evitar que se generen malos olores en el interior.

4. Desplazar el electrodoméstico

1. Retire todas las botellas y desenchufe el electrodoméstico.
2. Fije los estantes y otras partes móviles a la bodega con cinta adhesiva.
3. No incline la bodega más de 45° para evitar dañar el sistema de refrigeración.

5. Renovación del aire con filtro de carbón activo

La forma en que los vinos siguen envejeciendo depende de las condiciones ambientales. Por lo tanto, la calidad del aire es decisiva para preservar el vino. Se ha instalado un filtro de carbón activo en la parte inferior de la pared trasera del electrodoméstico para mantener la calidad del aire de la vinoteca a un nivel óptimo.



Aviso

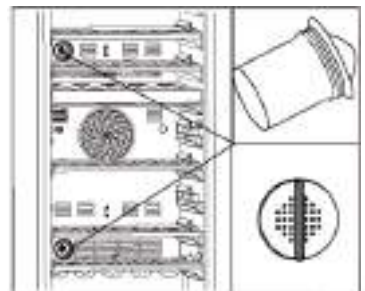
Recomendamos cambiar el filtro una vez al año. Puede obtener los filtros a través de su distribuidor.

Sustitución del filtro:

Tome el filtro por el mango. Gírelo hacia la izquierda y extráigalo.

Introducción del filtro:

Introdúzcalo con el mango en posición vertical. Gírelo hacia la derecha e insértelo.



Usted mismo puede resolver muchos de los problemas que puedan presentarse sin tener conocimientos específicos. En caso de que se produzca algún problema, compruebe todas las posibilidades ilustradas y siga las instrucciones pertinentes antes de ponerse en contacto con un servicio posventa. Consulte la sección de Atención al cliente.



¡ATENCIÓN!

- ▶ Antes de realizar tareas de mantenimiento, desactive el electrodoméstico y desconecte el enchufe de la toma de corriente.
- ▶ Los equipos eléctricos solo deben ser revisados y manejados por electricistas expertos cualificados, ya que las reparaciones incorrectas pueden causar daños considerables en consecuencia.
- ▶ Si el sistema de alimentación está dañado, debe ser sustituido por el fabricante, por su servicio técnico o por cualquier profesional cualificado similar para evitar riesgos.

Código de error	Causa	Solución
rH	El electrodoméstico avisa de una alta temperatura cuando la temperatura del compartimento superior ha superado los 25 °C durante 3 horas.	La temperatura ambiente es demasiado alta. La temperatura de funcionamiento del electrodoméstico debe estar entre 10 °C y 38 °C.
rL	El compresor deja de funcionar cuando la temperatura es inferior a 0 °C. La advertencia de baja temperatura se da cuando la temperatura ha sido inferior a 0 °C durante 2 horas.	La temperatura ambiente es demasiado baja. La temperatura de funcionamiento del electrodoméstico debe estar entre 10 °C y 38 °C.

Problema	Causa posible	Solución posible
El compresor no funciona.	<ul style="list-style-type: none"> • El enchufe no está conectado a la toma de corriente. 	<ul style="list-style-type: none"> • Conecte el enchufe.
El electrodoméstico funciona con frecuencia o funciona durante un período de tiempo demasiado largo.	<ul style="list-style-type: none"> • La temperatura exterior es demasiado alta. • El electrodoméstico ha estado apagado durante cierto de tiempo. • Una puerta del electrodoméstico no está bien cerrada. • La puerta se ha abierto con demasiada frecuencia o durante mucho tiempo. • Las juntas de la puerta están sucias, desgastadas, agrietadas o desparejadas. • La circulación de aire requerida no está garantizada. • La temperatura establecida es demasiado baja. 	<ul style="list-style-type: none"> • En este caso, es normal que el electrodoméstico funcione más tiempo. • Normalmente, lleva un tiempo que el electrodoméstico se enfríe completamente. • Cierre la puerta y asegúrese de que el electrodoméstico esté ubicado sobre una superficie plana y que no haya alimentos o recipientes que impidan que la puerta se cierre bien. • No abra la puerta con demasiada frecuencia. • Limpie la junta de la puerta o pídale al servicio de atención al cliente que la cambie. • Garantice una ventilación adecuada. • El problema se resolverá cuando se haya alcanzado la temperatura deseada.
El interior de la bodega está sucio y/o huele mal.	<ul style="list-style-type: none"> • El interior de la bodega necesita limpieza. 	<ul style="list-style-type: none"> • Limpie el interior de la bodega.
La temperatura del interior del electrodoméstico no es lo suficientemente fría.	<ul style="list-style-type: none"> • La temperatura establecida es demasiado alta. • Se han añadido botellas recientemente. • Una puerta del electrodoméstico no está bien cerrada. • La puerta se ha abierto con demasiada frecuencia o durante mucho tiempo. • Las juntas de la puerta están sucias, desgastadas, agrietadas o desparejadas. 	<ul style="list-style-type: none"> • Restablezca la temperatura. • Dé tiempo a que las botellas añadidas recientemente alcancen la temperatura deseada. • Cierre la puerta. • No abra la puerta con demasiada frecuencia. • Limpie la junta de la puerta o pídale al servicio de atención al cliente que la cambie.
La temperatura del interior del electrodoméstico es demasiado fría.	<ul style="list-style-type: none"> • La temperatura establecida es demasiado baja. 	<ul style="list-style-type: none"> • Restablezca la temperatura.
Formación de humedad en el interior del compartimento frigorífico.	<ul style="list-style-type: none"> • El ambiente es demasiado cálido y demasiado húmedo. • Una puerta del electrodoméstico no está bien cerrada. • La puerta se ha abierto con demasiada frecuencia o durante mucho tiempo. 	<ul style="list-style-type: none"> • Aumente la temperatura. • Cierre la puerta. • No abra la puerta/cajón con demasiada frecuencia.

Problema	Causa posible	Solución posible
La humedad se acumula en la superficie exterior de la bodega.	<ul style="list-style-type: none"> • El ambiente es demasiado cálido y demasiado húmedo. • La puerta no está bien cerrada. Hay aire frío dentro del electrodoméstico y aire caliente en el exterior, y se produce condensación. 	<ul style="list-style-type: none"> • Esto es normal en un ambiente húmedo y cambiará cuando la humedad disminuya. • Asegúrese de que la puerta esté bien cerrada y de que las juntas sellen correctamente.
El electrodoméstico hace sonidos anormales.	<ul style="list-style-type: none"> • El electrodoméstico no está ubicado sobre una superficie plana. • El electrodoméstico toca algún objeto a su alrededor. 	<ul style="list-style-type: none"> • Ajuste las patas para nivelar el electrodoméstico. • Retire los objetos que haya alrededor del electrodoméstico.
Se oye un ligero sonido similar al del flujo de agua.	<ul style="list-style-type: none"> • Es normal 	<ul style="list-style-type: none"> • -
El sistema de iluminación o refrigeración interior no funciona.	<ul style="list-style-type: none"> • El enchufe no está conectado a la toma de corriente. • La fuente de alimentación presenta alguna alteración. • La lámpara LED no funciona. 	<ul style="list-style-type: none"> • Conecte el enchufe. • Compruebe el suministro eléctrico a la habitación. Llame a la compañía eléctrica local. • Llame al servicio técnico para reemplazarla.
Los lados del enfriador y la tira de la puerta se calientan.	<ul style="list-style-type: none"> • Esto es normal. 	<ul style="list-style-type: none"> • -
La puerta no se cierra correctamente.	<ul style="list-style-type: none"> • El electrodoméstico no está nivelado. • La puerta está bloqueada. 	<ul style="list-style-type: none"> • Nivele el electrodoméstico con las patas ajustables. • Compruebe si hay obstrucciones como botellas o estantes.

Ficha del producto conforme al Reglamento UE n.º 1060/2010

Marca	Haier	Haier
Nombre del modelo / identificador	HWS42GDAU1	HWS77GDAU1
Capacidad máxima en botellas	42	77
Categoría de refrigeración doméstica	2	2
Clase de eficiencia energética	A	A
Consumo anual de energía (kWh/año) ¹⁾	142	152
Volumen de almacenamiento (L)	106	190
Clase climática: Este electrodoméstico está destinado a ser utilizado a una temperatura ambiente de entre 10 °C y 38 °C.	SNNST	SNNST
Emisiones acústicas transmitidas por aire (db(A) re 1pW)	37	37
Tipo de electrodoméstico	Independiente	Independiente
Este electrodoméstico está destinado a ser utilizado exclusivamente para el almacenamiento de vino.	Sí	Sí
Tamaño (P/A/A en mm)	585/497/820	585/497/1270

Explicaciones:

1) Basado en los resultados de la prueba estándar de 24 horas. El consumo de energía real depende del entorno real, la cantidad de botellas, la temperatura establecida, la apertura y cierre de la puerta, etc.

2) El consumo energético nominal es el valor obtenido de acuerdo con el ensayo estándar cuando el compartimento del vino no enciende la luz interna.

11.3 Normas y directivas

Este producto cumple los requisitos de todas las directivas CE aplicables con las correspondientes normas acordadas, que establecen el mercado CE.

Recomendamos nuestro Servicio de atención al cliente Haier y el uso de repuestos originales. Si tiene algún problema con su electrodoméstico, compruebe primero la sección Solución de problemas.

Si no encuentra una solución allí, póngase en contacto con

- ▶ su distribuidor local o
- ▶ con el área de servicio y asistencia en www.haier.com, donde puede encontrar números de teléfono y preguntas frecuentes y activar la solicitud de servicio.

Para ponerse en contacto con nuestro Servicio, asegúrese de tener los siguientes datos disponibles.

Puede encontrar la información en la placa de datos.

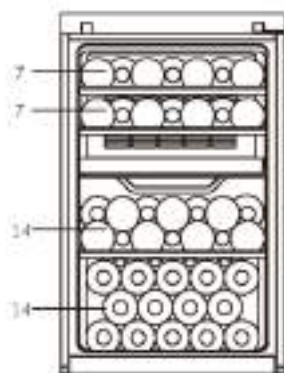
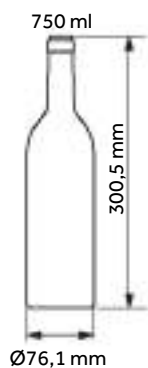
Modelo _____ N.º de serie _____

Compruebe también la tarjeta de garantía suministrada con el producto en caso de garantía.

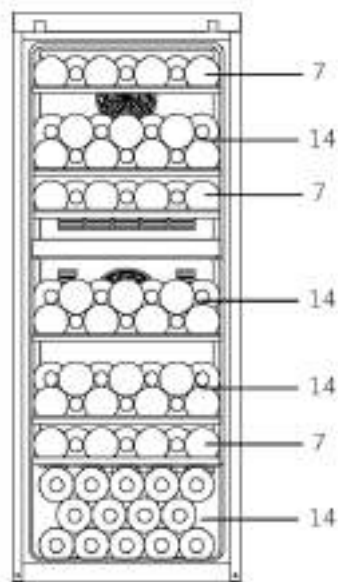
Para consultas comerciales generales, estas son nuestras direcciones en Europa:

Direcciones de Haier en Europa

País*	Dirección postal	País	Dirección postal
Italia	Haier Europe Trading SRL Via De Cristoforis, 12 21100 Verese ITALY	Francia	Haier France SAS 3-5 rue des Gravieres 92200 Neuilly sur Seine FRANCE
España Portugal	Haier Iberia SL Pg. Garcia Faria, 49-51 08019 Barcelona SPAIN	Bélgica-FR Bélgica-NL Países Bajos Luxemburgo	Haier Benelux SA Anderlecht Route de Lennik 451 BELGIUM
Alemania Austria	Haier Deutschland GmbH Hewlett-Packard-Str. 4 D-61352 Bad Homburg GERMANY	Polonia República Checa Hungría Grecia Rumanía Rusia	Haier Poland Sp. zo.o. Al. Jerozolimskie 181B 02-222 Warszawa POLAND
Reino Unido	Haier Appliances UK Co. Ltd. One Crown Square Church Street East Woking, Surrey, GU21 6HR UK		



HWS42GDAU1
(42)



HWS77GDAU1
(77)



Instrukcja
obsługi

Chłodziarka do wina

HWS77GDAU1

HWS42GDAU1

PL

Haier

Dziękujemy za zakup produktu firmy Haier.

Przed użyciem urządzenia należy dokładnie przeczytać niniejsze instrukcje. Instrukcje zawierają ważne informacje, które pomogą możliwie najlepiej wykorzystać funkcje urządzenia, bezpiecznie i prawidłowo je zainstalować, eksploatować oraz konserwować.

Niniejszą instrukcję obsługi należy przechowywać w dostępnym miejscu, aby móc z niej zawsze skorzystać w celu bezpiecznego i właściwego użytkowania urządzenia.

Przy sprzedaży urządzenia należy do niego dołączyć niniejszą instrukcję obsługi, a w przypadku przeprowadzki przekazać ją nowemu właścicielowi, aby mógł się zapoznać z urządzeniem i ostrzeżeniami dotyczącymi bezpieczeństwa.



Legenda

Ostrzeżenie – ważne informacje dotyczące bezpieczeństwa



Ogólne informacje i wskazówki



Informacje dotyczące ochrony środowiska

Utylizacja



Pomóż chronić środowisko i ludzkie zdrowie. Wyrzuć opakowanie do odpowiednich pojemników do recyklingu. Pomóż recyklingować odpady z urządzeń elektronicznych i elektronicznych. Nie wyrzucaj urządzeń oznaczonych tym symbolem razem z odpadami domowymi. Oddaj produkt do miejscowego zakładu recyklingu lub skontaktuj się z urzędem miejskim.



OSTRZEŻENIE!

Ryzyko obrażeń lub uduszenia!

Czynniki chłodnicze i gazy muszą być utylizowane w profesjonalny sposób. Przed utylizacją upewnij się, że przewody układu chłodniczego nie są uszkodzone. Odłącz urządzenie od zasilania sieciowego. Odetnij przewód zasilający i zutylizuj go. Usuń tace i szuflady oraz zamek drzwi i uszczelki, aby zapobiec zamknięciu się dzieci i zwierząt w urządzeniu.

Stare urządzenia nadal mają pewną wartość rezydualną. Dzięki przyjaznej dla środowiska metodzie utylizacji cenne surowce mogą być odzyskane i ponownie wykorzystane.

Cyklopentan, substancja palna nieszkodliwa dla ozonu, jest stosowany jako środek porotwórczy do wytwarzania pianki izolacyjnej.

Zapewniając prawidłową utylizację urządzenia, pomagasz zapobiegać ewentualnym negatywnym konsekwencjom dla środowiska i zdrowia ludzkiego.

Więcej informacji na temat recyklingu tego produktu można uzyskać, kontaktując się z samorządem lokalnym, służbami zajmującymi się utylizacją odpadów lub prowadzonym przez specjalistów sklepem, z którego pochodzi produkt.

1- Informacje dotyczące bezpieczeństwa	164
2- Wskazówki dotyczące bezpieczeństwa.....	167
3- Konserwacja	171
4- Akcesoria	173
5- Opis produktu	174
6- Instalacja	175
7- Użytkowanie.....	178
8- Wskazówki dotyczące oszczędzania energii	183
9- Wyposażenie.....	184
10- Pielęgnacja i czyszczenie.....	185
11- Rozwiązywanie problemów.....	186
12- Obsługa klienta	190
13- Układanie butelek wina w stos.....	191

To urządzenie jest przeznaczone wyłącznie do przechowywania wina. Przed włączeniem urządzenia po raz pierwszy, przeczytaj poniższe wskazówki dotyczące bezpieczeństwa:



OSTRZEŻENIE!

Przed pierwszym użyciem

- ▶ Upewnij się, że nie ma uszkodzeń powstałych podczas transportu.
- ▶ Usuń wszelkie opakowania, trzymaj je w miejscu niedostępnym dla dzieci i zutylizuj w sposób przyjazny dla środowiska.
- ▶ Oczekaj co najmniej dwie godziny przed zainstalowaniem urządzenia, aby upewnić się, że obieg chłodniczy jest w pełni efektywny.
- ▶ Zawsze przenoś urządzenie z pomocą co najmniej dwóch osób, ponieważ jest ono ciężkie.

Instalacja

- ▶ Urządzenie powinno być umieszczone w dobrze wentylowanym miejscu. Zapewnij przestrzeń co najmniej 10 cm nad urządzeniem i wokół niego.
- ▶ **OSTRZEŻENIE:** Należy dbać o drożność otworów wentylacyjnych w obudowie urządzenia wolnostojącego lub w konstrukcji do zabudowy.
- ▶ Nigdy nie należy umieszczać urządzenia w wilgotnym miejscu lub w takim, w którym może być ochlapane wodą. Zetrzyj plamy i zachlapania do sucha miękką i czystą ściereczką.
- ▶ Nie instaluj chłodziarki do wina w miejscach niewłaściwie zaizolowanych lub ogrzewanych, np. w garażu itp. Urządzenie nie zostało zaprojektowane do pracy w temperaturze otoczenia poniżej 10°C.
- ▶ Nie należy instalować urządzenia w bezpośrednim świetle słonecznym lub w pobliżu źródeł ciepła (np. pieców, grzejników).
- ▶ Zainstaluj i wypoziomuj urządzenie w miejscu odpowiednim dla jego wielkości i przeznaczenia.
- ▶ Upewnij się, że informacje dotyczące elektryki na tabliczce znamionowej są zgodne z parametrami zasilania. Jeśli tak nie jest, skontaktuj się z elektrykiem.
- ▶ Urządzenie jest zasilane prądem 220–240 V / 50 Hz. Odbiegające od normy wahania napięcia mogą spowodować nie włączenie się urządzenia albo uszkodzenie regulatora temperatury lub sprężarki. Mogą też być przyczyną nietypowego hałasu podczas pracy. W takim przypadku powinien zostać zamontowany automatyczny regulator.
- ▶ Nie używaj adapterów wtyczek i przedłużaczy.



OSTRZEŻENIE!

- ▶ **OSTRZEŻENIE:** Za urządzeniem nie powinna się znajdować większa liczba listew zasilających ani przenośnych zasilaczy.
- ▶ **OSTRZEŻENIE:** Podczas ustawiania urządzenia należy się upewnić, że kabel zasilający nie został przygnieciony ani uszkodzony.
- ▶ Nie stawaj na przewodzie zasilającym.
- ▶ Używaj oddzielnego, łatwo dostępnego i uziemionego gniazdka. Urządzenie musi być uziemione.
- ▶ **Tylko dla Wielkiej Brytanii:** Kabel zasilający urządzenie jest wyposażony we wtyczki z 3 bolcami (z uziemieniem), która pasuje do standardowego gniazda z 3 przewodami (z uziemieniem). Nigdy nie odcinaj ani nie wyjmuj trzeciego bolca (uziemiającego). Po zainstalowaniu urządzenia, wtyczka powinna być dostępna.
- ▶ **OSTRZEŻENIE:** Nie uszkodzić obwodu chłodniczego.

Codzienne użytkowanie

- ▶ Urządzenie może być obsługiwane przez dzieci powyżej 8 roku życia i przez osoby o ograniczonych możliwościach fizycznych, sensorycznych lub umysłowych lub osoby nieposiadające doświadczenia ani wiedzy pod warunkiem, że są one pod odpowiednim nadzorem lub zostały poinstruowane, jak bezpiecznie obsługiwać urządzenie i rozumieją związane z nim zagrożenia.
- ▶ Dzieci nie powinny bawić się urządzeniem.
- ▶ Dzieciom w wieku od 3 do 8 lat zezwala się na załadunek i rozładunek urządzeń chłodniczych, ale nie wolno im ich czyścić i instalować.
- ▶ Trzymaj z dala od urządzenia dzieci poniżej 3 roku życia, chyba że są pod stałym nadzorem.
- ▶ Czyszczenie i konserwacja nie mogą być wykonywane przez dzieci bez dozoru.
- ▶ Urządzenie musi być ustawione tak, aby wtyczka była dostępna.
- ▶ Jeśli gaz węglowy lub inny łatwopalny gaz wycieka w pobliżu urządzenia, zamknij zawór wyciekającego gazu, otwórz drzwi oraz okna i nie odłączaj ani nie podłączaj kabla zasilającego urządzenia.
- ▶ Odczekaj co najmniej 7 minut, aby ponownie podłączyć zasilanie po jego odłączeniu.
- ▶ Nie podnoś urządzenia za klamki drzwi.
- ▶ Klucze muszą być przechowywane w miejscu niedostępnym dla dzieci, a nie w pobliżu urządzenia, aby uniemożliwić zatrzaśnięcie się dzieci w jego wnętrzu.

**OSTRZEŻENIE!**

- ▶ Należy pamiętać, że urządzenie jest przeznaczone do pracy w specyficznym zakresie temperatur otoczenia od 10°C do 38°C. Urządzenie może nie działać prawidłowo, jeśli jest pozostawione na dłuższy czas w temperaturze powyżej lub poniżej wskazanego zakresu.
- ▶ Na urządzeniu nie należy umieszczać niestabilnych przedmiotów (ciężkich przedmiotów, pojemników wypełnionych wodą), aby uniknąć obrażeń ciała spowodowanych upadkiem lub porażeniem prądem elektrycznym w wyniku kontaktu z wodą.
- ▶ Otwieraj i zamykaj drzwi tylko za pomocą klamek. Szczelina między drzwiami a komorą jest bardzo wąska. Nie trzymaj rąk w tych obszarach, aby uniknąć przycięcia palców. Otwieraj i zamykaj drzwi urządzenia tylko wtedy, gdy nie ma dzieci stojących w obrębie ruchu drzwi.
- ▶ Nie przechowuj ani nie używaj materiałów łatwopalnych, wybuchowych lub żrących w urządzeniu lub w jego sąsiedztwie.
- ▶ Nie przechowuj w urządzeniu substancji wybuchowych takich jak aerozole w puszcze z łatwopalnymi gazami nośnymi.
- ▶ Nie przechowuj w urządzeniu leków, bakterii lub substancji chemicznych. To urządzenie jest urządzeniem gospodarstwa domowego. Nie zaleca się przechowywania materiałów, które wymagają ściśle określonej temperatury.
- ▶ Nie ustawiaj niepotrzebnie niskiej temperatury w komorze na wino. Ujemne temperatury mogą wystąpić przy wysokich ustawieniach. Uwaga: Butelki mogą wybuchnąć
- ▶ Nie dotykaj wnętrza komory podczas pracy, zwłaszcza mokrymi rękami, ponieważ mogą one przymarznąć do jej powierzchni.
- ▶ W celu zapewnienia prawidłowego chłodzenia wina nie należy przeladowywać urządzenia.
- ▶ Odłącz urządzenie w przypadku przerwy w zasilaniu lub przed czyszczeniem. Nie uruchamiaj ponownie urządzenia przez co najmniej 7 minut, ponieważ szybkie włączenie może doprowadzić do uszkodzenia sprężarki.
- ▶ **OSTRZEŻENIE:** Nie używaj urządzeń elektrycznych w komorze urządzenia, chyba, że są rekomendowane przez producenta. Aby uniknąć ryzyka, uszkodzony przewód zasilający musi być wymieniony przez serwis (zob. karta gwarancyjna).
- ▶ Aby przedłużyć żywotność urządzenia, należy unikać jego wyłączania.
- ▶ Nigdy nie należy ustawiać urządzenia poziomo na ziemi. Po przechyleniu urządzenia o więcej niż 45° należy odczekać 24 godziny przed jego podłączeniem.



OSTRZEŻENIE!

Konserwacja / czyszczenie

- ▶ Upewnij się, że dzieci są nadzorowane podczas czyszczenia i konserwacji urządzenia.
- ▶ Przed przystąpieniem do rutynowej konserwacji należy odłączyć urządzenie od zasilania elektrycznego. Nie uruchamiaj ponownie urządzenia przez co najmniej 7 minut, ponieważ szybkie włączenie może doprowadzić do uszkodzenia sprężarki.
- ▶ Podczas odłączania urządzenia trzymaj za wtyczkę, a nie za przewód.
- ▶ Nie czyść urządzenia za pomocą twardych szczotek, szczotek drucianych, detergentów proszkowych, benzyny, octanu amylu, acetonu i podobnych roztworów organicznych, kwasu lub roztworów alkalicznych. Do czyszczenia należy używać specjalnego detergentu do lodówek/zamrażarek, aby uniknąć uszkodzenia. Można użyć ciepłej wody i roztworu sody oczyszczonej – około jedna łyżka stołowa sody oczyszczonej na litr/kwartę wody. Dokładnie spłucz wodą i wytrzyj do sucha. Nie używaj proszków czyszczących ani innych środków czyszczących o właściwościach ściernych. Nie myj wyjmowanych części urządzenia w zmywarce.
- ▶ **OSTRZEŻENIE:** Nie używać urządzeń mechanicznych ani innych środków do przyspieszania procesu rozmrażania, chyba że są one zalecane przez producenta.
- ▶ Jeśli kabel zasilający ulegnie uszkodzeniu, dla bezpieczeństwa należy zlecić jego wymianę producentowi, autoryzowanemu serwisowi lub osobom o podobnych kwalifikacjach.
- ▶ Nie należy próbować samodzielnie naprawiać, demontować ani modyfikować urządzenia. W przypadku naprawy prosimy o kontakt z naszym działem obsługi klienta.
- ▶ Jeśli lampy oświetleniowe ulegną uszkodzeniu, dla bezpieczeństwa należy zlecić ich wymianę producentowi, autoryzowanemu serwisowi lub osobom o podobnych kwalifikacjach.
- ▶ Usuń kurz z tyłu urządzenia co najmniej raz w roku, aby uniknąć zagrożenia ogniem, a także zwiększonego zużycia energii.

- ▶ Nie używaj aerozolu ani nie przepłukuj urządzenia podczas czyszczenia.
- ▶ Nie używaj wody lub pary do czyszczenia urządzenia.
- ▶ Nie czyść zimnych szklanych drzwi gorącą wodą. Nagła zmiana temperatury może spowodować pęknięcie szkła.
- ▶ Jeśli urządzenie nie będzie używane przez dłuższy czas, należy pozostawić je otwarte, aby zapobiec powstawaniu nieprzyjemnych zapachów w jego wnętrzu.

Informacje o gazie chłodzącym



OSTRZEŻENIE!

Urządzenie zawiera łatwopalny czynnik chłodniczy IZOBUTAN (R600a). Upewnij się, że układ chłodniczy nie został uszkodzony podczas transportu lub instalacji. Wyciek czynnika może spowodować uszkodzenie wzroku lub zapalenie. Jeśli wystąpiło uszkodzenie, trzymaj urządzenie z dala od otwartych źródeł ognia, dokładnie przewietrz pomieszczenie, **nie** podłączaj ani nie odłączaj kabli zasilających tego lub innego urządzenia. Poinformuj obsługę klienta.

W przypadku kontaktu czynnika chłodniczego z oczami natychmiast przepłucz je pod bieżącą wodą i natychmiast skontaktuj się z okulistą.

OSTRZEŻENIE: Układ chłodniczy jest pod wysokim ciśnieniem. Nie manipuluj nim. Ponieważ stosowane są palne czynniki chłodnicze, urządzenie należy zainstalować, obsługiwać i serwisować ściśle według instrukcji obsługi i skontaktować się z profesjonalnym przedstawicielem lub naszym serwisem posprzedażowym w celu utylizacji urządzenia.

Przeznaczenie


Urządzenie jest przeznaczone do użytku domowego oraz do innych podobnych zastosowań, takich jak

- użytkowanie w pomieszczeniach kuchennych przeznaczonych dla personelu sklepów, w biurach i innych miejscach pracy;
 - użytkowanie w gospodarstwach rolnych i pomieszczeniach dla klientów hoteli, w motelach oraz innych środowiskach mieszkalnych;
 - użytkowanie w pensjonatach;
 - użytkowanie w środowisku cateringowym i przy innych zastosowaniach niehandlowych.
- Aby zapewnić bezpieczne przechowywanie wina, należy postępować zgodnie z niniejszą instrukcją obsługi.
- Szczegółowe informacje na temat najbardziej odpowiedniej części komory urządzenia do przechowywania określonych rodzajów żywności, z uwzględnieniem rozkładu temperatury w poszczególnych przedziałach urządzenia, znajdują się w drugiej części instrukcji.

Zmiany lub modyfikacje urządzenia są niedozwolone. Użycie niezgodne z przeznaczeniem może spowodować zagrożenie i utratę roszczeń gwarancyjnych.

Utylizacja



Symbol  na produkcie lub jego opakowaniu wskazuje, że produkt nie może być traktowany jak odpady gospodarstwa domowego. Należy go oddać do odpowiedniego punktu zbiórki zużytego sprzętu elektrycznego i elektronicznego do recyklingu. Zapewniając prawidłową utylizację urządzenia, pomagasz zapobiegać ewentualnym negatywnym konsekwencjom dla środowiska i zdrowia ludzkiego, które mogą wystąpić na skutek nieprawidłowego przetwarzania odpadów z niniejszego urządzenia. W celu uzyskania bardziej szczegółowych informacji na temat recyklingu tego produktu należy skontaktować się z lokalnym urzędem miasta, służbą utylizacji odpadów domowych lub sklepem, w którym produkt został zakupiony.

W związku z tym, że stosowane są palne gazy izolacyjne, w celu utylizacji urządzenia prosimy o kontakt z profesjonalnym przedstawicielem lub naszym serwisem posprzedażowym.

OSTRZEŻENIE!

Ryzyko obrażeń lub uduszenia!

Czynniki chłodnicze i gazy muszą być utylizowane w profesjonalny sposób. Przed utylizacją upewnij się, że przewody układu chłodniczego nie są uszkodzone. Odłącz urządzenie od zasilania sieciowego. Odetnij przewód zasilający i zutylizuj go. Usuń tace i szuflady oraz zamek drzwi i uszczelki, aby zapobiec zamknięciu się dzieci i zwierząt w urządzeniu.

- ▶ **OSTRZEŻENIE:** Przed czyszczeniem odłącz urządzenie od zasilania sieciowego.
- ▶ Nie czyść urządzenia za pomocą twardych szczotek, szczotek drucianych, detergentów proszkowych, benzyny, octanu amylu, acetonu i podobnych roztworów organicznych, kwasu lub roztworów alkalicznych. Do czyszczenia należy używać specjalnego detergentu do lodówek, aby uniknąć uszkodzenia.
- ▶ Czyść urządzenie, gdy nie ma w nim wina lub przechowywana jest jego niewielka ilość. Czyść urządzenie, gdy jest brudne.
- ▶ Czyść wnętrze i obudowę urządzenia gąbką zwilżoną ciepłą wodą i neutralnym detergentem
- ▶ Spłucz czystą, ciepłą wodą i osusz miękką ściereczką.
- ▶ Nie należy myć żadnych części urządzenia w zmywarce do naczyń.
- ▶ Nie uruchamiaj ponownie urządzenia przez co najmniej 7 minut, ponieważ szybkie włączenie może doprowadzić do uszkodzenia sprężarki.



Czyszczenie uszczelek drzwi:

- ▶ Uszczelki drzwi powinny być czyszczone co 3 miesiące, aby zapewnić właściwą szczelność. Postępuj w niżej opisany sposób: Zdejmowanie: Chwyć za uszczelkę drzwi i wyciągnij ją zgodnie z kierunkiem strzałki. Zanurz szczotkę w wodzie lub alkoholu spożywczym i przesuвай ją w przód i w tył, wyczyść rowek uszczelki drzwi. Następnie przetrzyj powierzchnię uszczelki drzwi ręcznikiem zamoczonym w wodzie lub alkoholu spożywczym. Na koniec umyj uszczelkę drzwi i wytrzyj ją do sucha czystym ręcznikiem.



Zakładanie uszczelki drzwi po czyszczeniu:

Przed założeniem upewnij się, czy uszczelka drzwi jest sucha. Wsuń uszczelkę drzwi w rowek i dociskaj ją ręcznie od góry do dołu, aż do momentu, gdy cała uszczelka zostanie w nim umieszczona.

Czyszczenie półek:

- ▶ Wszystkie półki można wyjąć w celu ich wyczyszczenia.
- ▶ Wyjmij wszystkie butelki.
- ▶ Unieś lekko każdą półkę i ją wyjmij.
- ▶ Wyczyść półkę miękkim ręcznikiem.
- ▶ Poczekaj, aż półki wyschną zanim włożysz je ponownie do środka.

OSTRZEŻENIE:

Odczekaj co najmniej 7 minut, aby ponownie włączyć zasilanie po jego odłączeniu.

Sprawdź akcesoria i literaturę zgodnie z tą listą: bez izolacji.

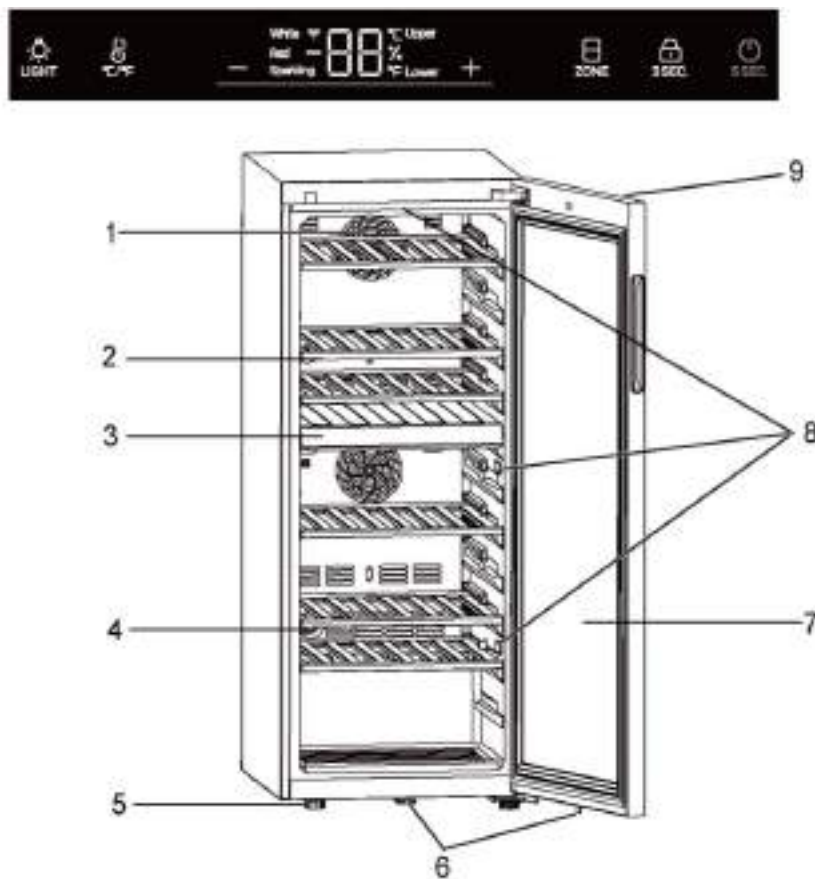
Nazwa	Instrukcja obsługi	Karta serwisowa	Półka	Mała półka	Oslona zawiasu	Etykieta wydajności energetycznej	Klucz	Krzywka drzwi lewa
HWS77GDAU1	1	1	6	1	1	1	2	2
HWS42GDAU1	1	1	3	1	1	1	2	2



Uwaga

Z powodu zmian technicznych i różnych modeli, niektóre ilustracje w tej instrukcji mogą się różnić od Twojego modelu.

Zdjęcie urządzenia



- | | |
|----------------------------|---------------------------------|
| 1. Termoobieg | 6. Blokada |
| 2. Półka | 7. Drzwiczki |
| 3. Środkowa przegroda | 8. Lampa LED |
| 4. Filtr z węglem aktywnym | 9. Wyświetlacz (z przodu drzwi) |
| 5. Regulowane nóżki | |

1. Rozpakowanie

- ▶ Wyjmij urządzenie z opakowania.
- ▶ Usuń wszystkie materiały opakowaniowe, łącznie z podłożem z pianki i taśmą samoprzylepną przytrzymującą akcesoria.

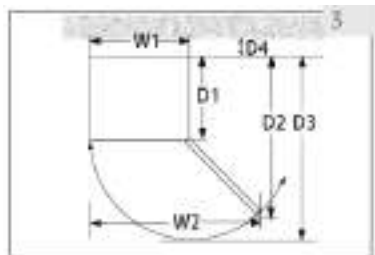
2. Warunki środowiskowe

Temperatura w pomieszczeniu powinna być zawsze w zakresie między 10°C a 38°C, ponieważ może mieć wpływ na temperaturę wewnątrz urządzenia oraz zużycie energii. Nie ustawiaj urządzenia w pobliżu innych urządzeń bez izolacji emitujących ciepło (piekarniki, lodówki).

3. Wymagana przestrzeń

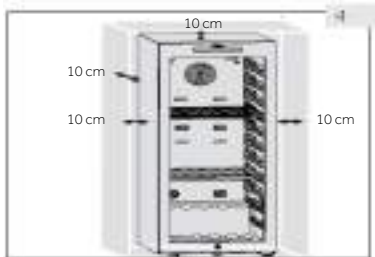
Wymagane miejsce, gdy drzwi są otwarte (rys. 3):

Szerokość w mm		Głębokość w mm			Odległość od ściany w mm
W1	W2	D1	D2	D3	D4
495	630	535	1033	1047	100



4. Przekrój wentylacji

Ze względu na bezpieczeństwo i wydajność energetyczną należy zachować wymagany odstęp wentylacyjny wynoszący 10 cm z każdej strony (rys. 4).



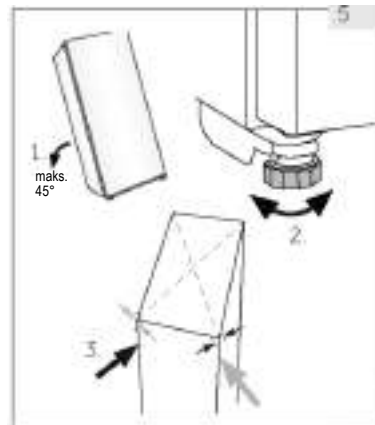
OSTRZEŻENIE!

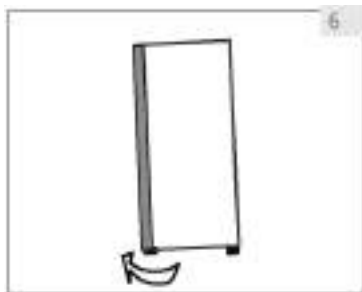
- ▶ Należy dbać o drożność otworów wentylacyjnych w obudowie urządzenia wolno stojącego lub w konstrukcji do zabudowy.

5. Ustawianie urządzenia

Urządzenie powinno być umieszczone na płaskiej i stabilnej powierzchni.

1. Przechył urządzenie lekko do tyłu (rys. 5).
2. Ustaw nóżki na odpowiednim poziomie, obracając je.
3. Stabilność można sprawdzić, popychając urządzenie naprzemiennie w linii przekątnych. Lekkie kołysanie powinno być takie same w obu kierunkach. W przeciwnym razie rama może się wykrzywić; w rezultacie może dojść do rozszczelnienia drzwi. Niewielki przechył do tyłu pomaga przy zamykaniu drzwi.



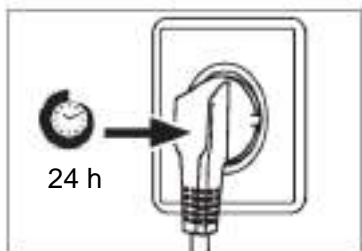


6. Regulowanie drzwi

Urządzenie zamyka się łatwiej, gdy używane są nóżki poziomicujące z przodu:

Obracaj regulowane nóżki (rys. 6), aby je podwyższyć lub obniżyć:

- ▶ Obracanie nóżek zgodnie z ruchem wskazówek zegara podnosi urządzenie.
- ▶ Obracanie nóżek w kierunku przeciwnym do ruchu wskazówek zegara obniża urządzenie.



7. Czas oczekiwania

W zbiorniku sprężarki znajduje się olej bezobsługowy. Olej ten może przedostać się poprzez zamknięty system rur podczas transportu przechylonego urządzenia. Przed podłączeniem urządzenia do zasilania trzeba odczekać 24 godziny (rys. 7), aby olej spłynął z powrotem do zbiornika.

8. Podłączenie do prądu

Przed każdym podłączeniem sprawdź, czy:

- ▶ zasilacz, gniazdo i bezpieczniki odpowiadają parametrom podanym na tabliczce znamionowej.
- ▶ gniazdko jest uziemione i nie zastosowano rozgałęźnika lub przedłużacza.
- ▶ wtyczka i gniazdko są odpowiednio dopasowane.

Podłącz wtyczkę do prawidłowo zainstalowanego gniazdka domowego.



OSTRZEŻENIE!

Aby uniknąć ryzyka, uszkodzony przewód zasilający musi być wymieniony przez serwis (zob. karta gwarancyjna).

9. Zmiana kierunku otwierania drzwi

Przed podłączeniem urządzenia do zasilania należy sprawdzić, czy nie trzeba zmienić kierunku otwierania drzwi z prawego (ustawienie przy odbiorze) na lewy, jeśli jest to konieczne ze względu na miejsce instalacji i użytkowania

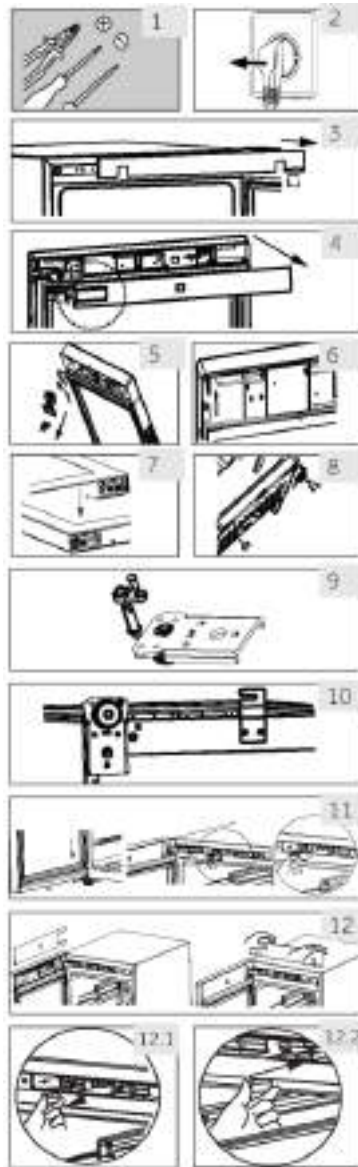


OSTRZEŻENIE!

- ▶ Urządzenie jest ciężkie. Potrzebne są dwie osoby do zmiany kierunku otwierania drzwi.
- ▶ Przed rozpoczęciem jakichkolwiek czynności należy najpierw odłączyć urządzenie od sieci.
- ▶ Nie przechylaj lodówki bardziej niż 45°, aby uniknąć uszkodzenia układu chłodniczego.

Etapy montażu

1. Używaj odpowiednich narzędzi.
2. Odłącz urządzenie od prądu.
3. Otwórz drzwi, zdejmij przednią listwę i znajdź odpowiednią listwę do usunięcia po lewej stronie i umieść ją po prawej stronie szczeliny.
4. Odłącz kabel. Wyciągnij górną część uszczelki drzwi i zdejmij tylną listwę drzwi. (Wymij z otworu po lewej stronie)
5. Wykręć 2 śruby na zawiasie górnym.
6. Zdejmij osłonę i zawias, zdemontuj osłonę osi, a następnie zamontuj po przeciwnej stronie i załóż zawias na osi.
7. Odkręć krzywkę i uchwyt drzwi, a następnie przełóż uchwyt drzwi na drugą stronę. Zamontuj nową krzywkę z worka z akcesoriami.
8. Przy przechylonej komorze (poniżej 45°) odkręć dolny zawias (3 śruby).
9. Zdemontuj krzywkę dolnego zawiasu i trzpień zawiasu. Zamontuj trzpień po prawej stronie dolnego zawiasu. Wymij krzywkę z worka i zamontuj na dolnym trzpieniu zawiasu.
10. Zamontuj dolny zawias i dolną podporę po drugiej stronie komory. Nasmaruj krzywkę.
11. Załóż drzwi na trzpień dolnego zawiasu i przymocuj do komory górny zawias za pomocą dwóch śrub. Przymocuj przewody sygnałowe pośrodku wgłębienia górnego zawiasu, wymij osłonę zawiasu z worka z akcesoriami i zamocuj ją na górnym zawiasie.
12. Zamontuj uszczelkę i listwę drzwiową na drzwiach. Włóż parę przewodów sygnałowych (12.1) do prawego otworu montażowego (12.2) górnej belki i zamocuj przednią część obudowy.
13. Upewnij się, że drzwi dobrze się otwierają i zamykają.



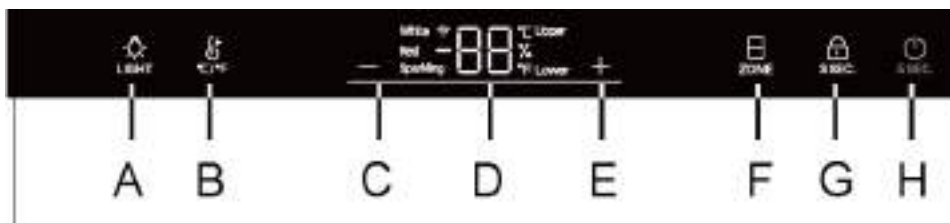
1. Przed pierwszym użyciem

- ▶ Usuń całe opakowanie. Należą do niego podłoże z pianki oraz taśma samoprzylepna przytrzymująca akcesoria chłodziarki do wina wewnątrz i na zewnątrz. Trzymaj opakowanie w miejscu niedostępnym dla dzieci i usuń je w sposób przyjazny dla środowiska.
- ▶ Przed włożeniem wina wyczyść wnętrze i obudowę urządzenia wodą z dodatkiem łagodnego detergentu.
- ▶ Po wypoziomowaniu i wyczyszczeniu urządzenia odczekaj co najmniej 2 godziny przed podłączeniem go do zasilania. Jeżeli chłodziarka na wino została przechylna z jakiegokolwiek powodu, odczekaj 24 godziny przed jej podłączeniem. Zobacz rozdział MONTAŻ.
- ▶ Po podłączeniu urządzenia do gniazdka elektrycznego należy pozostawić je na co najmniej 30 minut w celu aklimatyzacji przed dokonaniem jakichkolwiek regulacji.
- ▶ Temperatura jest automatycznie ustawiana na 12°C. W razie potrzeby można zmienić temperaturę ręcznie. Zob. rozdział TEMPERATURA.

2. Przyciski dotykowe



Przyciski na panelu sterowania są klawiszami czujników, które reagują przy delikatnym dotknięciu palcem.

3. Opis panelu sterowania



- | | | | |
|---|---------------------------------------|---|---|
| A | Oświetlenie wnętrza / przycisk Wi-Fi | E | Przycisk regulacji temperatury: w górę |
| B | Przycisk zmiany °C/°F | F | Wybór strefy temperatury |
| C | Przycisk regulacji temperatury: w dół | G | Przycisk blokady |
| D | Wyświetlacz | H | Przycisk zasilania |

4. Funkcja automatycznego blokowania

Panel sterowania jest automatycznie blokowany przed aktywacją, jeśli nie dotkniesz żadnego przycisku przez 30 sekund. Symbol  jest jasny. Aby aktywować blokadę, przytrzymaj przez 3 sekundy naciśnięty przycisk . Zapalone z tyłu diody LED przyciemnią się. Przycisk A nie jest zablokowany.

5. Działanie przycisku zasilania

Po odblokowaniu wyświetlacza naciśnij przycisk H na 5 sekund. Zasilanie chłodziarki na wino wyłączy się. Następnie naciśnij na 5 sekund przycisk H. Zasilanie chłodziarki na wino włączy się. Gdy wyświetlacz jest zablokowany, przycisk H nie działa.

6. Regulacja temperatury



Uwaga

Ustawienia wstępne

- ▶ Po podłączeniu urządzenia do gniazdka elektrycznego należy pozostawić je na co najmniej 30 minut w celu aklimatyzacji przed dokonaniem jakichkolwiek regulacji.
- ▶ Gdy urządzenie zostanie włączone po uprzednim odłączeniu od głównego źródła zasilania, osiągnięcie prawidłowej temperatury może potrwać kilka godzin. Dokładny czas zmienia się w zależności od otoczenia i ustawienia temperatury.

1. Wybór strefy temperatury

W stanie odblokowania włączona jest cała ikona . Jeśli aktualne wskazanie na wyświetlaczu jest w górnej strefie temperatury, górna ikona jest włączona, a dolna wyłączona. Po naciśnięciu przycisku dolna ikona będzie włączona, a górna wyłączona.

2. Regulacja temperatury

W stanie odblokowania, gdy włączona jest ikona „Upper” (góra), można regulować temperaturę górnej strefy;

Naciśnij lub , gdy świeci się ikona „Upper” (wyżej), aby podwyższyć lub obniżyć temperaturę. Po osiągnięciu żądanej temperatury naciśnij przycisk. Po zakończeniu ustawiania temperatury i upływie 3 sekund obszar wskazujący temperaturę przestaje migać i na wyświetlaczu pojawia się aktualna temperatura.

Zakres temperatury wynosi od 5 do 20 stopni.

Gdy włączona jest ikona „Lower” (niżej), można regulować temperaturę dolnej strefy

Zalecane ustawienia temperatury

Dla różnych rodzajów wina zalecane są następujące temperatury jego picia.

Czerwone wino	od +13°C do +20°C (do +55°F do +68°C)	Wino musujące Prosecco	Od +5°C do +8°C (od +41°F do +47°F)
Białe wino	od +9°C do +12°C (od +48°F do +54°F)		

Aby przechowywać wino przez dłuższy czas, należy ustawić temperaturę w zakresie od +10°C do +12°C (50°F i +54°F).

7. Tryb czuwania

Ekran wyświetlacza jest automatycznie przyciemniany przez 30 sekund.

Włącza się on automatycznie, gdy naciśnie się którykolwiek przycisk lub otworzy się drzwi.

8. Ustawienie trybu oświetlenia

Naciśnij przycisk LIGHT. Jeżeli światła w komorze są włączone, będą się one zapalać stopniowo. Po ponownym naciśnięciu przycisku LIGHT światła będą się stopniowo wyłączać.



Uwaga Wpływ na temperaturę

Następujące czynniki mają wpływ na temperaturę wewnątrz urządzenia:

- ▶ Temperatura otoczenia
- ▶ Liczba przechowywanych butelek
- ▶ Częstotliwość otwierania drzwi
- ▶ Miejsce zamontowania urządzenia

Domyślnie ustawiona jest temperatura 12°C

Gdy wyświetlacz przestaje migać, ponownie wskazuje aktualną temperaturę w chłodziarce do wina. Osiągnięcie ustawionej temperatury zajmie trochę czasu.

9. Funkcja °C/°F



Naciśnij przycisk  w celu przełączania między stopniami Fahrenheita i Celsiusa.

10. Pamięć funkcji podczas awarii zasilania

W przypadku przerwy w zasilaniu chłodziarka do wina automatycznie zapisuje ustawioną temperaturę. Po przywróceniu zasilania urządzenie będzie pracowało z temperaturą ustawioną przed utratą zasilania.

11. Funkcja kompensacji niskiej temperatury

Chłodziarka do wina posiada funkcję kompensacji niskiej temperatury w celu zapewnienia stabilności temperatury: Gdy temperatura otoczenia jest niższa od ustawionej temperatury, chłodziarka do wina automatycznie uruchamia funkcję kompensacji niskiej temperatury, ogrzewając urządzenie. Gdy temperatura w urządzeniu osiągnie ustawioną wartość, funkcja kompensacji niskiej temperatury zostanie automatycznie wyłączona.

12. Alarm otwarcia drzwi

Jeśli drzwi będą otwarte przez ponad 1 minutę, brzęczyk będzie wydawał sygnał alarmowy do czasu zamknięcia drzwi lub użycia dowolnego przycisku na panelu wyświetlacza.

13. Wyświetlanie wilgotności



Naciśnij przycisk  przez 3 sekundy. Na wyświetlaczu pojawi się wskazanie wilgotności. Po naciśnięciu innych przycisków wskazanie wilgotności zniknie.

14. Ustawienia trybu Wi-Fi

ŁĄCZNOŚĆ

PARAMETRY SIECI BEZPRZEWODOWEJ

Technologia	Wi-Fi	Bluetooth
Standard	IEEE 802.11 b/g/n	Bluetooth v4.2, BR/EDR, BLE
Pasmo(-a) częstotliwości [MHz]	2401÷2483	2402÷2480
Maksymalna moc [mW], pasmo(-a) [MHz]	100	10

INFORMACJE O PRODUKCIE

Jak aktywować moduł Wi-Fi:

- Przytrzymaj przycisk przez 3 sekundy, aby aktywować
- Moduł Wi-Fi jest włączony. Ikona Wi-Fi zaczyna migać
- Jeśli chłodziarka do wina jest aktywna, ale Wi-Fi jest wyłączony, ikona będzie migać
- Jeżeli chłodziarka do wina jest aktywna i połączona z siecią, ikona Wi-Fi jest stale włączona
- Aby zresetować sieć Wi-Fi, naciśnij i przytrzymaj przez 3 sekundy przycisk z żarówką

PROCEDURA PAROWANIA APLIKACJI

Krok 1

- Pobierz aplikację hOn w sklepie



Krok 2

- Zaloguj się lub zarejestruj



Krok 3

- Dodaj nowe urządzenie, wybierając z listy chłodziarkę do wina



Krok 4

- Zeskanuj kod QR lub ręcznie wprowadź numer seryjny



Krok 5

- Naciśnij i przytrzymaj przez 3 sekundy przycisk z żarówką na produkcie, aby aktywować Wi-Fi



Krok 6

- Ikona Wi-Fi będzie migać; proces parowania jest w toku
 - Pozostanie 5 minut na zakończenie procesu parowania
 - Po zakończeniu procesu ikona Wi-Fi przestanie migać i pozostanie włączona
- UWAGA**





Wskazówki dotyczące oszczędzania energii

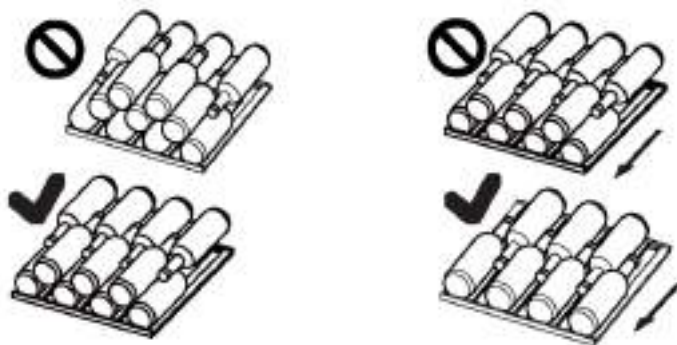
- ▶ Upewnij się, że urządzenie jest właściwie wentylowane (patrz MONTAŻ).
- ▶ Nie należy instalować urządzenia w bezpośrednim świetle słonecznym lub w pobliżu źródeł ciepła (np. pieców, grzejników).
- ▶ Unikaj niepotrzebnie niskiej temperatury w urządzeniu. Zużycie energii zwiększa się wraz z ustawieniem niższej temperatury w urządzeniu.
- ▶ Otwieraj drzwi możliwie rzadko i na krótko.
- ▶ Nie należy przekraczać dozwolonej liczby butelek, aby nie utrudniać przepływu powietrza.
- ▶ Uszczelki drzwi należy utrzymywać w czystości, aby zapewni prawidłowe zamykanie drzwi.

1. Półka


1. Półki są zaprojektowane w sposób ułatwiający przechowywanie i wyjmowanie wina. Można je czyścić miękkim ręcznikiem.
2. Standardowe butelki o średnicy 76 mm mogą być układane w stosy.
3. Butelki magnum można układać w stosy na dolnej półce.
4. Liczba butelek może się różnić od przedstawionej na ilustracji, jeśli są one ułożone w inny sposób.

Porady dotyczące rozmieszczenia butelek w chłodziarce do wina

Zalecamy, aby liczba butelek wina nie przekraczała dwóch warstw na każdej półce, a obciążenie półek nie przekraczało 20 kg. Przed umieszczeniem butelek w chłodziarce należy sprawdzić, czy półki na wino są całkowicie stabilne. Ponadto należy sprawdzić, czy żadna z butelek nie wystaje poza półkę, aby uniknąć jej uderzenia o szklane drzwi podczas zamykania.



2. Oświetlenie

Po otwarciu drzwi zapala się wewnętrzne oświetlenie LED. Aby włączyć światło, gdy drzwi są zamknięte, naciśnij przycisk . Aby wyłączyć światło, ponownie naciśnij przycisk. W celu zwiększenia wydajności energetycznej oświetlenia chłodziarki do wina powinno być wyłączone, gdy się do niej nie zagląda.

3. Zamek

Aby zamknąć chłodziarkę do wina, należy zamknąć drzwi i włożyć klucz do zamka:

- ▶ Zamknij drzwi, przekręcając klucz w kierunku przeciwnym do ruchu wskazówek zegara;
- ▶ Odblokuj drzwi, przekręcając klucz w kierunku zgodnym z ruchem wskazówek zegara.

1. Rozmrażanie

Rozmrażanie chłodziarki do wina przebiega automatycznie; nie jest wymagana ręczna obsługa.

2. Wymiana lamp LED

Jako źródło światła lampy wykorzystują diody LED, charakteryzujące się niskim zużyciem energii i długą żywotnością. W przypadku wystąpienia jakichkolwiek nieprawidłowości prosimy o kontakt z działem obsługi klienta. Zob. OBSŁUGA KLIENTA.



OSTRZEŻENIE!

Nie wymieniaj samodzielnie lampy LED. Musi ona zostać wymieniona przez producenta albo przez autoryzowanego serwisanta.

Parametry lampy LED:

Napięcie 12 V; maks. moc: 8W (dla HWS77GDAU1)

Napięcie 12 V; maks. moc: 5W (dla HWS42GDAU1)

3. Nieużytkowanie przez dłuższy okres

Odłącz przewód zasilający.

Wyczyść urządzenie i uszczelki drzwi jak opisano powyżej.

Zostaw drzwi otwarte, aby zapobiec tworzeniu się wewnątrz nieprzyjemnych zapachów.

4. Przenoszenie urządzenia

1. Wyjmij wszystkie butelki i odłącz urządzenie od zasilania.
2. Zabezpiecz taśmą klejącą półki i inne części ruchome w chłodziarce do wina.
3. Nie przechylaj chłodziarki do wina bardziej niż 45°, aby uniknąć uszkodzenia układu chłodniczego.

5. Wymiana powietrza z zastosowaniem filtra z węglem aktywnym

Sposób, w jaki wina nadal dojrzewają, zależy od warunków otoczenia. Dlatego jakość powietrza jest decydująca dla trwałości wina. W dolnej części tylnej ściany urządzenia zamontowano filtr z węglem aktywnym, aby zapewnić optymalną przepustowość.



Uwaga

Zalecamy wymianę filtra raz w roku. Filtry można nabyć u dystrybutora.

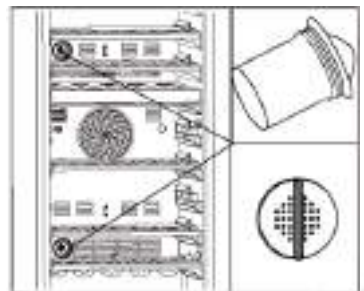
Wymiana filtra:

Chwyć filtr za uchwyt. Obróć w lewo i wyjmij.

Zakładanie filtra:

Włóż za pomocą uchwytu w pionowej pozycji.

Obróć w prawo i włóż.



Wiele problemów można rozwiązać samodzielnie, bez specjalistycznej wiedzy. W przypadku problemów prosimy sprawdzić wszystkie pokazane możliwości i postępować zgodnie z poniższymi instrukcjami przed skontaktowaniem się z obsługą posprzedażową. Zob. OBSŁUGA KLIENTA.



OSTRZEŻENIE!

- ▶ Przed przystąpieniem do konserwacji wyłącz urządzenie i wyjmij wtyczkę z gniazdka sieciowego.
- ▶ Urządzenie elektryczne powinno być serwisowane tylko przez wykwalifikowanych ekspertów, ponieważ niewłaściwe naprawy mogą spowodować znaczne szkody.
- ▶ Jeśli kabel zasilania jest uszkodzony, musi on zostać wymieniony przez producenta, serwisanta lub inną wykwalifikowaną osobę w celu uniknięcia niebezpieczeństwa.

Kod błędu	Przyczyna	Rozwiązanie
rH	Urządzenie wysyła ostrzeżenie o wysokiej temperaturze, gdy temperatura w górnej części komory przekracza 25°C przez 3 godziny.	Temperatura otoczenia jest za wysoka. Temperatura pracy urządzenia powinna wynosić od 10°C do 38°C.
rL	Sprężarka przestaje pracować, gdy temperatura jest niższa niż 0°C. Ostrzeżenie o niskiej temperaturze jest wysyłane, gdy temperatura jest niższa niż 0°C przez 2 godziny.	Temperatura otoczenia jest za niska. Temperatura pracy urządzenia powinna wynosić od 10°C do 38°C.

Problem	Potencjalna przyczyna	Możliwe rozwiązanie
Sprężarka nie działa.	<ul style="list-style-type: none"> Wtyczka sieciowa nie jest podłączona do gniazdka. 	<ul style="list-style-type: none"> Podłącz wtyczkę sieciową.
Urządzenie działa często lub przez zbyt długi okres czasu.	<ul style="list-style-type: none"> Temperatura otoczenia jest za wysoka. Urządzenie było odłączone od zasilania przez jakiś okres czasu. Drzwi urządzenia nie są szczelnie zamknięte. Drzwi były za często otwierane lub pozostawały długo otwarte. Uszczelki drzwi są brudne, zużyte, pęknięte lub niedopasowane. Wymagany przepływ powietrza nie jest gwarantowany. Temperatura jest za niska. 	<ul style="list-style-type: none"> W tym przypadku to normalne, że urządzenie będzie pracować dłużej. Zwykle potrzeba trochę czasu, aby urządzenie całkowicie ostygło. Zamknij drzwi i upewnij się, że urządzenie znajduje się na płaskiej powierzchni, ani że jedzenie lub szuflady nie blokują drzwi. Nie otwieraj drzwi zbyt często. Wyczyść uszczelki drzwi lub wymień je z pomocą serwisu obsługi klienta. Zapewnij odpowiednią wentylację. Problem rozwiąże się sam po osiągnięciu żądanej temperatury.
Wnętrze chłodziarki do wina jest brudne i/lub nieprzyjemnie pachnie.	<ul style="list-style-type: none"> Wnętrze chłodziarki do wina wymaga czyszczenia. 	<ul style="list-style-type: none"> Wyczyść wnętrze chłodziarki do wina.
Wewnątrz urządzenia nie jest wystarczająco zimno.	<ul style="list-style-type: none"> Ustawiona temperatura jest za wysoka. Niedawno dołożono butelki. Drzwi urządzenia nie są szczelnie zamknięte. Drzwi były za często otwierane lub pozostawały długo otwarte. Uszczelki drzwi są brudne, zużyte, pęknięte lub niedopasowane. 	<ul style="list-style-type: none"> Ponownie ustaw temperaturę. Poczekaj, aż ostatnio włożone butelki osiągną pożądaną temperaturę. Zamknij drzwi. Nie otwieraj drzwi zbyt często. Wyczyść uszczelki drzwi lub wymień je z pomocą serwisu obsługi klienta.
Wewnątrz urządzenia jest za zimne.	<ul style="list-style-type: none"> Temperatura jest za niska. 	<ul style="list-style-type: none"> Ponownie ustaw temperaturę.
Powstawanie wilgoci na wewnętrznych ściankach komory.	<ul style="list-style-type: none"> Klimat jest zbyt ciepły i zbyt wilgotny. Drzwi urządzenia nie są szczelnie zamknięte. Drzwi były za często otwierane lub pozostawały długo otwarte. 	<ul style="list-style-type: none"> Zwiększ temperaturę. Zamknij drzwi. Nie otwieraj drzwi/szuflad zbyt często.

Problem	Potencjalna przyczyna	Możliwe rozwiązanie
Wilgoć gromadzi się na powierzchni zewnętrznej chłodziarki do wina.	<ul style="list-style-type: none"> • Klimat jest zbyt ciepły i zbyt wilgotny. • Drzwi nie są szczelnie zamknięte. Zimne powietrze skrapla się wewnątrz urządzenia, a ciepłe powietrze na zewnątrz. 	<ul style="list-style-type: none"> • Jest to normalne zjawisko w wilgotnym klimacie i zmienia się, gdy wilgotność spadnie. • Upewnij się, że drzwi są szczelnie zamknięte, a uszczelki prawidłowo uszczelniają.
Urządzenie wydaje niestandardowe dźwięki	<ul style="list-style-type: none"> • Urządzenie nie znajduje się na wypoziomowanym podłożu. • Urządzenie dotyka jakiegoś obiektu. 	<ul style="list-style-type: none"> • Wyreguluj nóżki, aby wypoziomować urządzenie. • Usuń obiekty znajdujące się w pobliżu urządzenia.
Słychać delikatny szum podobny do płynącej wody.	<ul style="list-style-type: none"> • To jest normalne 	<ul style="list-style-type: none"> • -
Oświetlenie wnętrza lub układ chłodzenia nie działa.	<ul style="list-style-type: none"> • Wtyczka sieciowa nie jest podłączona do gniazdka. • Zasilanie nie jest w dobrym stanie. • Lampa LED nie działa. 	<ul style="list-style-type: none"> • Podłącz wtyczkę sieciową. • Sprawdź zasilanie elektryczne w pomieszczeniu. Skontaktuj się z lokalnym dostawcą energii elektrycznej. • Proszę wezwać serwis do wymiany lampy
Boki obudowy i listwa drzewiowa nagrzewają się	<ul style="list-style-type: none"> • To jest normalne. 	<ul style="list-style-type: none"> • -
Drzwi nie zamykają się prawidłowo	<ul style="list-style-type: none"> • Urządzenie nie zostało wypoziomowane. • Drzwi są zablokowane. 	<ul style="list-style-type: none"> • Wypoziomuj urządzenie za pomocą nóżek poziomujących. • Sprawdź, czy butelki lub półki nie stanowią blokady.

Karta produktu, zgodnie z rozporządzeniem UE nr 1060/2010

Marka	Haier	Haier
Nazwa modelu / identyfikator	HWS42GDAU1	HWS77GDAU1
Pojemność znamionowa butelki	42	77
Kategoria urządzenia chłodniczego dla gospodarstw domowych	2	2
Klasa efektywności energetycznej	A	A
Roczne zużycie energii (kWh/rok) ¹⁾	142	152
Objętość komory (l)	106	190
Klasa klimatyczna: To urządzenie jest przeznaczone do użytkowania w temperaturze otoczenia od 10°C do 38°C.	SN N ST	SN N ST
Poziom emitowanego hałasu (db(A) re 1pW)	37	37
Rodzaj konstrukcji	Wolnostojąca	Wolnostojąca
To urządzenie jest przeznaczone wyłącznie do przechowywania wina.	Tak	Tak
Wymiary (gł./szer./wys. w mm)	585/497/820	585/497/1270

Objaśnienie:

1) na podstawie standardowych wyników testów dla okresu 24 godzin. Rzeczywisty pobór mocy zależy od rzeczywistego otoczenia, ilości rozlewu, ustawionej temperatury, otwierania i zamykania drzwi itp.

2) Nominalny pobór mocy jest wartością ustaloną na podstawie standardowego testu, gdy w komorze na wino nie włącza się wewnętrzne światło.

11.3 Normy i dyrektywy

Produkt ten spełnia wymagania wszystkich obowiązujących dyrektyw UE z odpowiednimi normami zharmonizowanymi, które przewidują oznakowanie CE.

Polecamy nasz system Obsługi Klienta Haier i stosowanie oryginalnych części zamiennych.

Jeśli masz problem z urządzeniem, najpierw sprawdź sekcję ROZWIĄZYWANIE PROBLEMÓW.

Jeżeli nie możesz znaleźć rozwiązania, prosimy o

- ▶ kontakt z lokalnym sprzedawcą lub
- ▶ serwisem poprzez stronę internetową www.haier.com, na której można znaleźć numery telefonów i FAQ oraz aktywować roszczenia serwisowe.

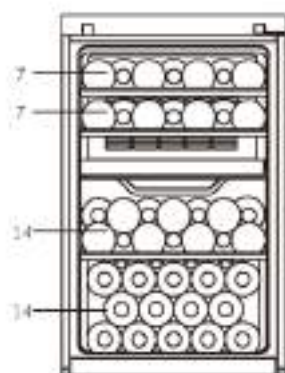
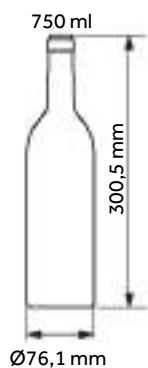
Aby skontaktować się z naszym działem obsługi, upewnij się, że masz następujące dane. Informacje można znaleźć na tabliczce znamionowej.

Model _____ Nr seryjny _____

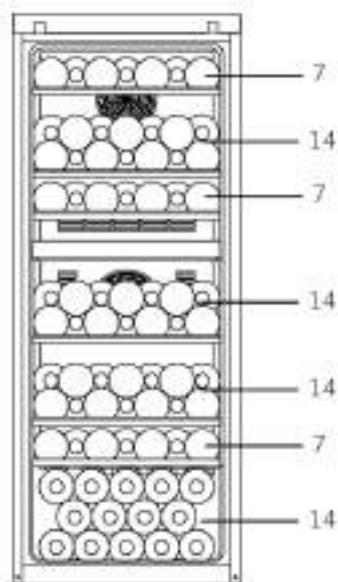
Sprawdź także kartę gwarancyjną dostarczoną z produktem.

Dla ogólnych zapytań biznesowych znajdziesz poniżej nasze adresy w Europie:

Europejskie adresy Haier			
Kraj*	Adres pocztowy	Kraj	Adres pocztowy
Włochy	Haier Europe Trading SRL Via De Cristoforis, 12 21100 Verese WŁOCHY	Francja	Haier France SAS 3-5 rue des Graviers 92200 Neuilly sur Seine FRANCJA
Hiszpania Portugalia	Haier Iberia SL Pg. Garcia Faria, 49-51 08019 Barcelona HISZPANIA	Belgia FR Belgia NL Niderlandy Luksemburg	Haier Benelux SA Anderlecht Route de Lennik 451 BELGIA
Niemcy Austria	Haier Deutschland GmbH Hewlett-Packard-Str. 4 D-61352 Bad Homburg NIEMCY	Polska Czechy Węgry Grecja Rumunia Rosja	Haier Poland Sp. zo.o. Al. Jerozolimskie 181B 02-222 Warszawa POLSKA
Wielka Brytania	Haier Appliances UK Co. Ltd. One Crown Square Church Street East Woking, Surrey, GU21 6HR UK		



HWS42GDAU1
(42)



HWS77GDAU1
(77)



Manual do
utilizador

Garrafeira

HWS77GDAU1

HWS42GDAU1

PT

Haier

Obrigado por comprar um produto Haier.

Leia atentamente estas instruções antes de utilizar este eletrodoméstico. As instruções contêm informações importantes que irão ajudá-lo a obter o melhor proveito do eletrodoméstico e garantir a instalação, o uso e a manutenção seguros e adequados.

Mantenha este manual num local conveniente para que o possa sempre consultar para uma utilização segura e adequada do eletrodoméstico.

Se vender, oferecer ou deixar o aparelho para trás, caso mude de casa, certifique-se de que passa também este manual para que o novo proprietário se possa familiarizar com o aparelho e avisos de segurança.



Legenda

Aviso - Informação de Segurança Importante



Informações gerais e dicas



Informação ambiental



Eliminação

Ajude a proteger o ambiente e a saúde humana. Coloque a embalagem em recipientes adequados para reciclar. Ajude a reciclar resíduos de aparelhos elétricos e eletrônicos. Não elimine os eletrodomésticos marcados com este símbolo em conjunto com o lixo doméstico. Entregue o produto na sua instalação de reciclagem local ou entre em contato com seu escritório municipal.



AVISO!

Risco de lesão ou sufocação!

Os fluidos refrigerantes e os gases devem ser eliminados de forma profissional. Certifique-se de que os tubos do circuito refrigerante não estão danificados antes de serem devidamente eliminados. Desligue o eletrodoméstico da alimentação elétrica. Corte o cabo de alimentação de rede e elimine-o. Remova as bandejas e gavetas, bem como a pega e vedantes da porta, para evitar que crianças e animais de estimação se fechem no aparelho.

Os aparelhos antigos ainda têm algum valor residual. Um método de eliminação ecológico assegura que matérias-primas valiosas podem ser novamente recuperadas e utilizadas.

O ciclopentano, uma substância inflamável não prejudicial ao ozônio, é utilizado como expansor para a espuma de isolamento.

Ao assegurar que este produto é eliminado devidamente, irá ajudar a prevenir consequências potencialmente negativas para o ambiente e a saúde humana, que de outra forma poderiam ser causadas.

Para informações mais detalhadas sobre reciclagem deste produto, contacte a sua autarquia, o seu serviço de eliminação de resíduos domésticos ou a loja onde adquiriu o produto, manuseado pelos profissionais.

1- Informações de segurança.....	196
2- Dicas de segurança	199
3- Manutenção	203
4- Acessórios.....	205
5- Descrição do produto.....	206
6- Instalação.....	207
7- Utilizar	210
8- Dicas de poupança de energia.....	215
9- Equipamento.....	216
10- Cuidados e limpeza.....	217
11- Resolução de problemas	218
12- Assistência ao cliente.....	222
13- Empilhamento de garrafas de vinho	223

Este aparelho destina-se exclusivamente à armazenagem de vinho. Antes de ligar o aparelho pela primeira vez, leia as seguintes dicas de segurança:



AVISO!

Antes da primeira utilização

- ▶ Certifique-se de que não há danos provocados pelo transporte.
- ▶ Remova todas as embalagens e mantenha fora do alcance das crianças e elimine-as de forma ecológica.
- ▶ Aguarde no mínimo duas horas antes de instalar o aparelho, de forma a garantir que o circuito refrigerante está com eficiência total.
- ▶ Manuseie o aparelho sempre com pelo menos duas pessoas porque é pesado.

Instalação

- ▶ O aparelho deve ser colocado num local bem ventilado. Assegure um espaço de, pelo menos, 10 cm acima e ao redor do aparelho.
- ▶ **AVISO:** Mantenha as aberturas de ventilação, no revestimento do aparelho ou na estrutura integrada, livres de obstruções.
- ▶ Nunca coloque o aparelho numa área húmida ou num local onde possa ser salpicado com água. Limpe e seque as salpicos de água e manchas com um pano macio limpo.
- ▶ Não instale a sua adega em qualquer local não devidamente isolado ou aquecido, por exemplo, garagem, etc. A sua adega de vinhos não foi concebida para funcionar a temperatura ambiente abaixo de 10 °C.
- ▶ Não instale o aparelho sob luz solar direta ou na proximidade de fontes de calor (por exemplo, fogões, aquecedores).
- ▶ Instale e nivele o aparelho numa área adequada para o seu tamanho e utilização.
- ▶ Certifique-se de que as informações elétricas na placa de classificação correspondem à fonte de alimentação. Se não, entre em contato com um eletricista.
- ▶ O aparelho é operado por uma fonte de alimentação de 220-240 VAC/50 Hz. Uma flutuação da tensão anormal pode fazer com que o aparelho não ligue ou danifique o controlo da temperatura ou o compressor, ou pode haver um ruído anormal durante o funcionamento. Nesse caso, deve ser montado um regulador automático.
- ▶ Não use adaptadores de fichas múltiplas nem cabos de extensão.

**AVISO!**

- ▶ **AVISO:** Não coloque tomadas triplas múltiplas portáteis ou fontes de alimentação portáteis na parte traseira do aparelho.
- ▶ **AVISO:** Ao posicionar o aparelho, certifique-se de que o cabo de alimentação não se encontra preso ou danificado.
- ▶ Não pise o cabo de alimentação.
- ▶ Use uma tomada de terra separada para a fonte de alimentação que seja fácil de aceder. Este aparelho deve ser ligado à terra.
- ▶ **Apenas para o Reino Unido:** O cabo de alimentação do aparelho está equipado com uma ficha de 3 cabos (terra) que se encaixa numa tomada standard de 3 cabos (ligada à terra). Nunca corte ou desmonte o terceiro pino (terra). Após a instalação do aparelho, a tomada deve ficar acessível.
- ▶ **AVISO:** Não danifique o circuito refrigerante.

Utilização diária

- ▶ Este aparelho pode ser utilizado por crianças de idade igual ou superior a 8 anos e por pessoas com capacidades físicas, sensoriais ou mentais reduzidas ou falta de experiência e conhecimento, caso lhes tenha sido fornecida supervisão ou instruções relativas à utilização do aparelho de forma segura e desde que compreendam os perigos envolvidos.
- ▶ As crianças não devem brincar com o aparelho.
- ▶ As crianças de 3 a 8 anos são autorizadas a carregar e descarregar aparelhos de refrigeração, mas não podem limpar e instalar os aparelhos de refrigeração.
- ▶ Mantenha as crianças com menos de 3 anos de idade afastadas do eletrodoméstico, a menos que estejam constantemente sob supervisão.
- ▶ A limpeza e manutenção pelo utilizador não deve ser realizada por crianças sem supervisão.
- ▶ O aparelho deve ser posicionado de modo a que a ficha esteja acessível.
- ▶ Se o gás de carvão ou outro gás inflamável verter para a proximidade do aparelho, desligue a válvula do gás de fuga, abra as portas e janelas e não desligue o cabo de alimentação do eletrodoméstico.
- ▶ Aguarde pelo menos 7 minutos para reconectar a energia depois de ter sido desconectada.
- ▶ Não levante o aparelho pelas pegas das portas.
- ▶ As chaves devem ser mantidas fora do alcance das crianças e não nas proximidades do aparelho, para evitar que as crianças fiquem presas no interior do aparelho.



AVISO!

- ▶ Observe que o aparelho está regulado para funcionar no intervalo de temperatura específico de 10 e 38°C. O aparelho não pode funcionar adequadamente se for deixado durante um longo período a uma temperatura acima ou abaixo do intervalo indicado.
- ▶ Não coloque artigos instáveis (objetos pesados, recipientes cheios de água) em cima do aparelho, para evitar lesões pessoais causadas por queda ou choque elétrico causado pelo contato com a água.
- ▶ Abra e feche a porta apenas pelas pegas. O espaço entre a porta e o armário é muito estreito. Não coloque as mãos nessas áreas para evitar entalar os dedos. Abra ou feche as portas do aparelho apenas quando não houver crianças que se encontrem dentro do alcance do movimento das portas.
- ▶ Não guarde nem use materiais inflamáveis, explosivos ou corrosivos no eletrodoméstico ou nas proximidades.
- ▶ Não guarde substâncias explosivas como, por exemplo, latas de aerossóis, com um carburante inflamável, no interior deste aparelho.
- ▶ Não guarde medicamentos, bactérias ou agentes químicos no aparelho. Este aparelho é um eletrodoméstico. Não é recomendado armazenar materiais que necessitem de temperaturas rigorosas.
- ▶ Não ajuste uma temperatura desnecessariamente baixa no compartimento do armário de vinhos. Podem ocorrer temperaturas negativas em altas configurações. Atenção: As garrafas podem rebentar
- ▶ Não toque na superfície interna do compartimento do aparelho, quando em funcionamento, especialmente com as mãos molhadas, pois as mãos podem congelar na superfície.
- ▶ Para uma refrigeração adequada do vinho, não sobrecarregue o aparelho.
- ▶ Desligue o aparelho em caso de interrupção da energia ou antes da limpeza. Deixe passar pelo menos 7 minutos antes de reiniciar o aparelho, pois o arranque frequente pode danificar o compressor.
- ▶ **AVISO:** Não utilize dispositivos elétricos no interior do aparelho, a menos que sejam do tipo recomendado pelo fabricante. Para evitar riscos, um cabo de alimentação danificado deve ser substituído pelo serviço ao cliente (ver cartão de garantia).
- ▶ Para prolongar a vida útil do aparelho, evite desligá-lo.
- ▶ Nunca coloque o aparelho na horizontal no chão. Depois de inclinar o aparelho mais de 45°, aguarde 24 horas antes de o ligar.

**AVISO!****Manutenção/limpeza**

- ▶ Certifique-se de que as crianças estão vigiadas caso estejam a realizar a limpeza e manutenção.
- ▶ Desligue o aparelho da alimentação elétrica antes de realizar qualquer manutenção de rotina. Deixe passar pelo menos 7 minutos antes de reiniciar o aparelho, pois o arranque frequente pode danificar o compressor.
- ▶ Segure a ficha, não o cabo, ao desligar o aparelho.
- ▶ Não limpe o aparelho com escovas duras, escovas de arame, detergente em pó, gasolina, acetato de amilo, acetona e soluções orgânicas semelhantes, soluções ácidas ou alcalinas. Limpe com detergente especial para frigorífico/congelador para evitar danos. No final use água morna e solução de bicarbonato de sódio - cerca de uma colher de sopa de bicarbonato de sódio para um litro de água. Enxaguar abundantemente com água e secar. Não utilize pós de limpeza ou outros produtos de limpeza abrasivos. Não lave as peças removíveis na máquina de lavar loiça.
- ▶ **AVISO:** Não utilize dispositivos mecânicos ou outros meios para acelerar o processo de descongelação, que não os recomendados pelo fabricante.
- ▶ Se o cabo de alimentação estiver danificado, este tem de ser substituído pelo fabricante, pelo agente de serviço ou por pessoas igualmente qualificadas de forma a evitar o perigo.
- ▶ Não tente reparar, desmontar ou modificar o aparelho sozinho. Em caso de reparação, entre em contato com a nossa assistência ao cliente.
- ▶ Se as luzes de iluminação estiverem danificadas, devem ser substituídas pelo fabricante, pelo seu agente de serviço ou por pessoas qualificadas similares, a fim de evitar riscos.
- ▶ Elimine o pó na parte de trás da unidade pelo menos uma vez no ano para evitar perigo de incêndio, bem como o aumento do consumo de energia.

- ▶ Não pulverize ou lave o aparelho durante a limpeza.
- ▶ Não use spray de água ou vapor para limpar o aparelho.
- ▶ Não limpe a porta de vidro fria com água quente. A mudança súbita de temperatura pode fazer com que o vidro se quebre.
- ▶ Se deixar de utilizar o seu aparelho durante um período prolongado, deixe-o aberto para evitar odores e cheiros desagradáveis dentro.

Informações sobre gases refrigerantes



AVISO!

O aparelho contém o refrigerante inflamável ISOBUTANO (R600a). Certifique-se de que o circuito refrigerante não fica danificado durante o transporte ou instalação. A fuga de refrigerante pode causar lesões oculares ou inflamações. Se ocorrer um dano, mantenha afastadas fontes de chama aberta, ventile completamente a sala, **não** ligue ou desligue os cabos de alimentação do eletrodoméstico ou de qualquer outro aparelho. Informe a assistência ao cliente.

No caso de os olhos entrarem em contacto com o fluido refrigerante, lave-os imediatamente sob água corrente e contacte imediatamente um oftalmologista.

AVISO: O sistema de refrigeração está sob alta pressão. Não o viole. Uma vez que os refrigerantes inflamáveis são usados, por favor, instale, manuseie e carregue o aparelho estritamente de acordo com as instruções e contacte o agente profissional ou o nosso serviço pós-venda para eliminar o aparelho.

Utilização prevista


Este aparelho destina-se a ser utilizado em meio doméstico e aplicações similares tais como

- áreas de cozinha para o pessoal em lojas, escritórios e outros ambientes de trabalho;
 - quintas e por clientes em hotéis, motéis e outros ambientes de tipo residencial;
 - ambientes de tipo hospedagem residencial;
 - aplicações de catering e idênticas não comerciais.
- Para garantir a preservação segura do vinho, por favor, siga estas instruções de uso.
- Os dados relativos à parte mais adequada no compartimento do eletrodoméstico em que devem ser armazenados tipos específicos de alimentos, tendo em conta a distribuição da temperatura que pode estar presente nos diferentes compartimentos do aparelho, encontram-se na outra parte do manual.

Não são permitidas alterações ou modificações no dispositivo. Uma utilização indevida pode causar riscos e perda de reivindicações de garantia.

Eliminação



O símbolo  do produto ou da sua embalagem indica que este produto não pode ser tratado como lixo doméstico. Em vez disso, deve ser entregue ao ponto de recolha aplicável para reciclagem de equipamentos elétricos e eletrônicos. Ao assegurar que este produto é eliminado devidamente, irá ajudar a prevenir consequências potencialmente negativas para o ambiente e a saúde humana, que de outra forma poderiam ser causadas pelo tratamento inadequado dos resíduos deste produto. Para informações mais detalhadas sobre reciclagem deste produto, entre em contato com seu escritório local da cidade, o seu serviço de eliminação de resíduos domésticos ou a loja onde você comprou o produto.

Uma vez que são utilizados gases de sopro do isolamento inflamáveis, entre em contato com um agente profissional ou nosso serviço pós-venda para eliminar o aparelho.

AVISO!

Risco de lesão de sufocação!

Os fluidos refrigerantes e os gases devem ser eliminados de forma profissional. Certifique-se de que os tubos do circuito refrigerante não estão danificados antes de serem devidamente eliminados. Desligue o eletrodoméstico da alimentação elétrica. Corte o cabo de alimentação de rede e elimine-o. Remova as bandejas e gavetas, bem como a pega e vedantes da porta, para evitar que crianças e animais de estimação fiquem fechados dentro do aparelho.

- ▶ **AVISO:** Desligue o aparelho da fonte de alimentação antes de limpar.
- ▶ Não limpe o aparelho com escovas duras, escovas de arame, detergente em pó, gasolina, acetato de amilo, acetona e soluções orgânicas semelhantes, soluções ácidas ou alcalinas. Limpe com detergente especial do frigorífico para evitar danos.
- ▶ Limpe o eletrodoméstico quando apenas tiver armazenado pouco ou nenhum vinho. Só é necessário limpá-lo quando estiver sujo.
- ▶ Limpe o interior e a caixa do aparelho com uma esponja molhada em água morna e detergente neutro
- ▶ Enxague com água morna limpa e seque com um pano macio.
- ▶ Não limpe nenhuma das peças do aparelho numa máquina de lavar loiça.
- ▶ Deixe pelo menos 7 minutos antes de voltar a ligar o eletrodoméstico, pois o arranque frequente pode danificar o compressor.



Limpe a junta de vedação da porta:

- ▶ Os vedantes da porta devem ser limpos a cada 3 meses para garantir uma vedação adequada. Como indicado em baixo: Remover: Segure a vedação da porta e puxe-a de acordo com a direção da seta para remover toda a vedação da porta em ordem.

Mergulhe a escova com água ou álcool de classe alimentar, limpe o sulco da vedação da porta primeiro puxando a escova para trás e para a frente. Em seguida, limpe a superfície da vedação da porta com uma toalha embebida com água ou álcool de grau alimentar. Finalmente, lave a junta da porta para limpar e limpe-a com uma toalha limpa.



Vedação da porta de instalação após a limpeza:

Antes da instalação, certifique-se de que não há água na vedação da porta. Insira a vedação da porta na ranhura e pressione firmemente a vedação da porta desde a parte superior à parte inferior manualmente até que toda a vedação da porta seja inserida na ranhura.

Limpeza das prateleiras:

- ▶ Todas as prateleiras podem ser retiradas para limpeza.
- ▶ Retire todas as garrafas.
- ▶ Levante cada prateleira um pouco e retire para fora.
- ▶ Limpe a prateleira com uma toalha macia.
- ▶ Aguarde até que as prateleiras estejam secas antes de as voltar a colocar.

AVISO:

Aguarde pelo menos 7 minutos para reconectar a energia depois de ter sido desconectada.

Verifique os acessórios e a literatura de acordo com esta lista: sem isolamento.

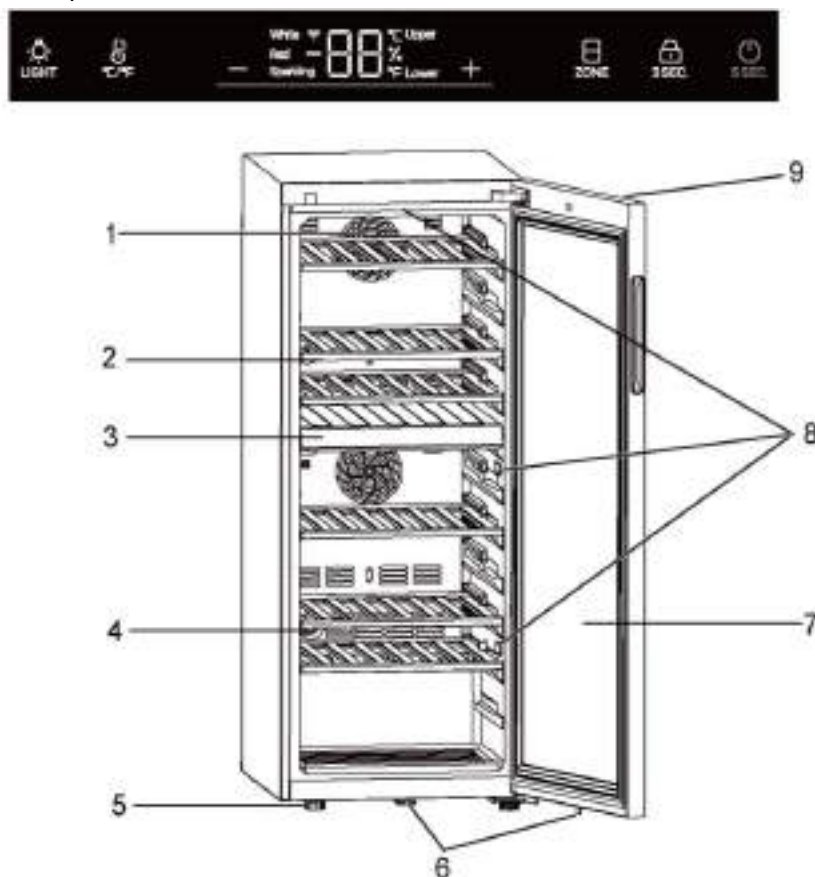
Nome	Manual do utilizador	Cartão de serviço	Prateleira	Prateleira pequena	Tampa articulada	Rótulo energético	Tecla	Came esquerda do manual da porta
HWS77GDAU1	1	1	6	1	1	1	2	2
HWS42GDAU1	1	1	3	1	1	1	2	2



Aviso

Devido a mudanças técnicas e modelos diferentes, algumas das ilustrações neste manual podem variar do seu modelo.

Imagem do aparelho



- | | |
|-----------------------------|-------------------------------|
| 1. Ventilador | 6. Fechadura |
| 2. Prateleira | 7. Porta |
| 3. Divisória intermédia | 8. Lâmpada LED |
| 4. Filtro de carvão ativado | 9. Visor (na frente da porta) |
| 5. Pés ajustáveis | |

1. Desembalar

- ▶ Retire o aparelho da embalagem.
- ▶ Remova todos os materiais da embalagem, incluindo a base de espuma e toda fita adesiva com os acessórios.

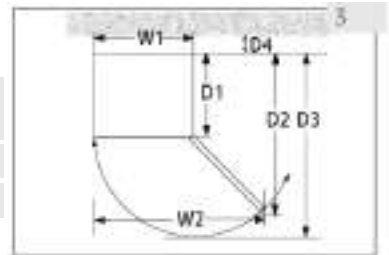
2. Condições ambientes

A temperatura ambiente deve estar sempre entre 10 °C e 38 °C, uma vez que pode influenciar a temperatura no interior do aparelho e o seu consumo de energia. Não instale o aparelho perto de outros aparelhos emissores de calor (fornos, frigoríficos) sem isolamento.

3. Requisitos de espaço

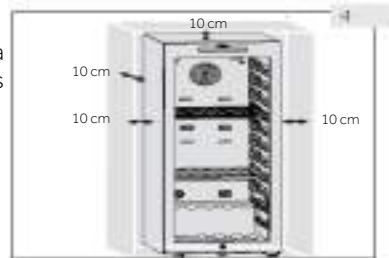
Espaço necessário para abrir a porta (Fig. 3):

Largura em mm		Profundidade em mm			Distância até à parede em mm
W1	W2	D1	D2	D3	D4
495	630	535	1033	1047	100



4. Espaço de ventilação

Por razões de segurança e energia, deve ser observada a distância de ventilação necessária de 10 cm em todas as direções (Fig. 4).



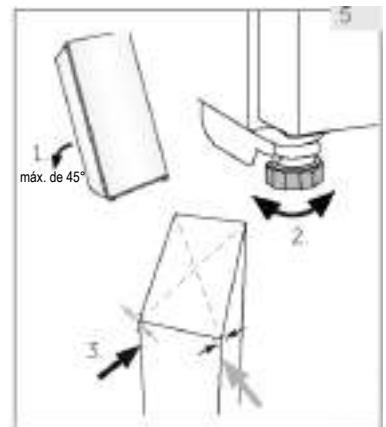
AVISO!

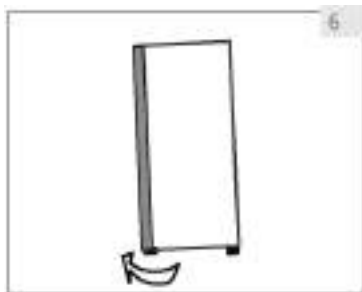
- ▶ Mantenha as aberturas de ventilação no aparelho ou na estrutura embutida livres de obstruções.

5. Alinhar o aparelho

O aparelho deve ser colocado sobre uma superfície plana e sólida.

1. Incline o aparelho ligeiramente para trás (Fig. 5).
2. Ajuste os pés dianteiros ajustáveis para o nível desejado, rodando-os.
3. A estabilidade pode ser verificada por empurrando alternadamente as diagonais. Uma ligeira oscilação deve ser a mesma em ambas as direções. Caso contrário, a estrutura pode empenar; a consequência pode ser fugas dos vedantes da porta. Uma leve inclinação para a traseira facilita o fecho da porta.



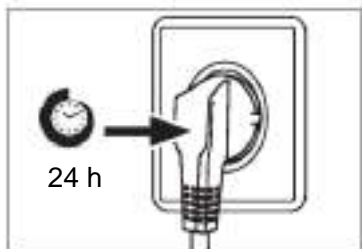


6. Ajuste fino da porta

O aparelho fecha mais facilmente se forem utilizados os pés de nivelamento na frente:

Rode os pés ajustáveis (Fig. 6) para os subir ou descer:

- ▶ Rodar os pés no sentido horário levanta o aparelho.
- ▶ Rodar os pés no sentido anti-horário baixa o aparelho.



7. Tempo de espera

O óleo de lubrificação sem manutenção está localizado na cápsula do compressor. Este óleo pode passar pelo sistema fechado do tubo durante o transporte se o aparelho estiver inclinado. Antes de ligar o aparelho à fonte de alimentação, aguarde 24 horas (Fig. 7) para que o óleo volte à cápsula.

8. Ligação elétrica

Antes de cada conexão verificar se:

- ▶ a fonte de alimentação, tomada e fusíveis são adequados à placa de classificação.
- ▶ a tomada de alimentação está ligada à terra sem fichas múltiplas nem extensão.
- ▶ a ficha de alimentação e a tomada estão corretamente ajustadas.

Ligue a ficha a uma tomada doméstica instalada corretamente.



AVISO!

Para evitar riscos, um cabo de alimentação danificado deve ser substituído pela assistência ao cliente (ver cartão de garantia).

9. Reversibilidade da porta

Antes de ligar o aparelho à fonte de alimentação, deve verificar se a rotação da porta deve ser mudada da direita (como fornecida) para a esquerda, se tal for exigido pelo local de instalação e pela usabilidade

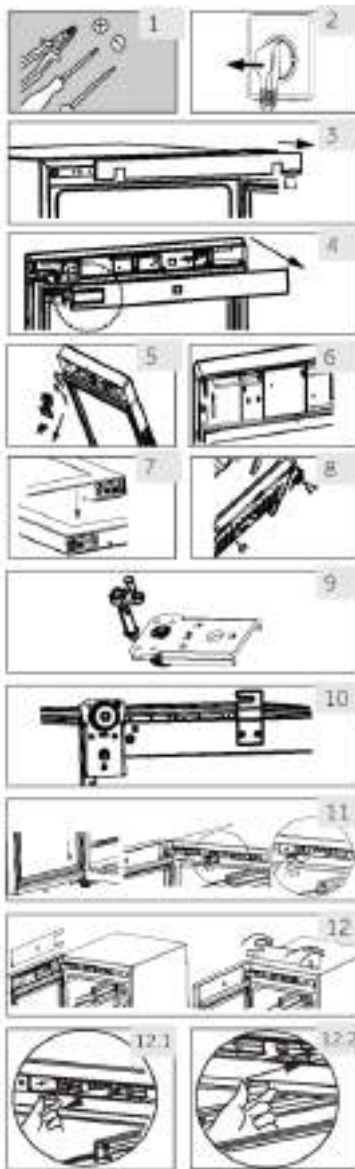


AVISO!

- ▶ O eletrodoméstico é pesado. Precisa de duas pessoas para reverter o sentido de abertura da porta.
- ▶ Antes de qualquer operação, desligue primeiro o aparelho da rede elétrica.
- ▶ Não incline o aparelho mais de 45 ° para evitar danos ao sistema de arrefecimento.

Etapas de montagem

1. Arranje a ferramenta necessária.
2. Desligue o aparelho.
3. Abra a porta, retire a tira dianteira e encontre a tira correspondente para remover o lado esquerdo e coloque no lado direito da abertura.
4. Desligue o cabo de conexão. Retire a parte superior do vedante da porta e desça a tira traseira da porta. (Remova pela abertura lateral esquerda)
5. Remova os 2 parafusos na dobradiça superior.
6. Remova a tampa e a dobradiça, remova a tampa do eixo e, em seguida, monte do outro lado e, depois, instale a dobradiça no eixo.
7. Remova o came e o suporte da porta, desloque o suporte da porta para outro lado da porta. Instale o novo came do saco de oferta.
8. Armário inclinado (menos de 45°), remova a dobradiça inferior (3 parafusos) para trás.
9. Remova o came inferior da dobradiça e o eixo da dobradiça. Instale o eixo no lado direito da dobradiça inferior. Retire o came do saco de instruções e instale-o no eixo inferior da dobradiça.
10. Instale a dobradiça inferior e o pé inferior no outro lado do armário. Lubrifique o came.
11. Instale a porta no eixo inferior da dobradiça e fixe a dobradiça superior com dois parafusos no armário. Fixe os fios de sinal no meio do sulco da dobradiça superior, e retire a tampa da dobradiça do saco de instruções e prenda-a na dobradiça superior.
12. Instale o vedante da porta e a tira da porta na porta. Introduza o par de fios de sinal de porta, mova o interruptor magnético (12.1) para a ranhura de montagem direita (12.2) da caixa da trave superior e aperte o friso frontal do armário.
13. Certifique-se de que a porta é capaz de abrir e fechar com facilidade.



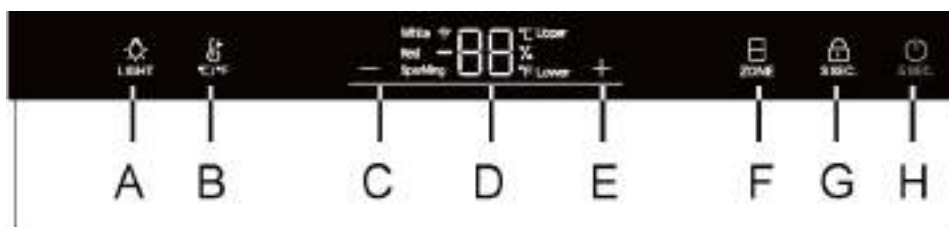
1. Antes da primeira utilização

- ▶ Remova todos os materiais de embalagem. Isso inclui a base de espuma e toda fita adesiva que segura os acessórios da adega de vinho dentro e fora. Mantenha-os fora do alcance das crianças e elimine-os de forma ecológica.
- ▶ Limpe o interior e o exterior do aparelho com água e um detergente suave antes de colocar qualquer vinho no seu interior.
- ▶ Após o aparelho ter sido nivelado e limpo, aguarde pelo menos 2 horas antes de o ligar à fonte de alimentação. Se a sua adega tiver sido inclinada por qualquer motivo, aguarde 24 horas antes de a ligar. Ver secção INSTALAÇÃO.
- ▶ Depois de ter conectado a unidade a uma tomada elétrica, deixe a unidade funcionar por pelo menos 30 minutos para aclimatizar-se antes de fazer quaisquer ajustes.
- ▶ A temperatura é ajustada automaticamente para 12 °C. Se desejar, pode alterar a temperatura manualmente. Por favor, consulte TEMPERATURA.

2. Teclas de toque



Os botões no painel de controlo são teclas de toque, que respondem quando tocadas levemente com o dedo.

3. Descrição do painel de controlo



- | | |
|--|---|
| A Luz interior/botão Wi-Fi | E Botão de ajuste de temperatura: para cima |
| B Botão de conversão °C /°F | F Seleção da zona de temperatura |
| C Botão de ajuste de temperatura: para baixo | G Botão de bloqueio |
| D Visor | H Botão de energia |

4. Função de bloqueio automático

O painel de controlo bloqueia automaticamente depois de se premir qualquer tecla, 30 segundos depois de ativado, a  acende-se. Para ativar o bloqueio do teclado, prima o botão  durante 3 segundos, quando bloqueado o LED da retroiluminação fica obscuro. O botão A não está bloqueado.

5. Função do botão de alimentação

Quando o visor está destrancando, prima o botão H durante 5 segundos, a adega de vinhos desliga-se. Em seguida, prima o botão H durante 5 segundos/a adega de vinho acende-se. Quando o visor está bloqueado, o botão H não pode funcionar.

6. Regulação da temperatura





Aviso

Predefinições



- ▶ Depois de ter conectado a unidade a uma tomada elétrica, deixe a unidade funcionar durante pelo menos 30 minutos para aclimatizar-se antes de fazer quaisquer ajustes.
- ▶ Quando o aparelho é ligado após a desconexão da fonte de alimentação principal, pode levar várias horas para que as temperaturas corretas sejam alcançadas. O tempo exato varia dependendo do ambiente e da temperatura.

1. Seleção da zona de temperatura

No estado de desbloqueio, o ícone  está totalmente ligado. Se o visor atual estiver na zona de temperatura superior, o ícone superior está ligado e o ícone inferior está desligado. Neste momento, prima a tecla "", o ícone inferior acende-se e o ícone superior apaga-se.

2. Regulação da temperatura

No estado de desbloqueio, quando o ícone "superior" está ligado, a temperatura superior da zona de temperatura pode ser ajustada;

Prima  ou  quando a luz "superior" está ligada, para aumentar ou diminuir a temperatura. Quando a temperatura desejada for atingida, prima o botão. Depois disso o ajuste de temperatura está concluído e 3 segundos mais tarde, o visor de temperatura para de piscar e exibe a temperatura atual.

O intervalo de temperatura é de 5 a 20 graus.

Quando o ícone "mais baixo" está aceso, a temperatura na zona de temperatura mais baixa pode ser ajustada

Ajustes de temperatura recomendados

As seguintes temperaturas de bebida são recomendadas para os diferentes tipos de vinho.

Vinho tinto	+ 13 °C a 20 °C (+55°F a + 68°C)	Vinho espumante Prosecco	+5°C a +8°C (+41°F a +47°F)
Vinho branco	+9°C a +12°C (+48°F a +54°F)		

Se você armazenar vinho por longos períodos de tempo, este deve ser armazenado a uma temperatura entre +10 °C e +12 °C (50 °F e +54 °F).

7. Modo Standby

O ecrã é automaticamente obscurecido em 30 segundos.

Acende automaticamente quando qualquer tecla é tocada ou a porta é aberta.

8. Ajuste do modo de iluminação

Prima o botão . Quando as luzes no armário estão ligadas, as luzes acendem-se gradualmente. Quando pressionar o botão  mais uma vez as luzes serão desligadas gradualmente.



Aviso **Influencias nas temperaturas**

A temperatura no interior do aparelho é influenciada pelos seguintes fatores:

- ▶ Temperatura ambiente
- ▶ Quantidade de garrafas armazenadas
- ▶ Frequência de abertura da porta
- ▶ A localização do aparelho

A configuração padrão é de 12°C

Quando o visor para de piscar, volta a mostrar a temperatura atual dentro da adega. Vai demorar algum tempo para alcançar a temperatura definida.

9. Função °C/°F

Prima o botão  para alternar entre Fahrenheit e Celsius.

10. Desligar a função de memória

Em caso de falha de energia, a adega irá guardar automaticamente a temperatura ajustada. Após a recuperação de energia, será posto a funcionar com base na temperatura definida antes da falha de energia.


11. Função de compensação a baixa temperatura

A adega tem uma função de compensação de baixa temperatura para garantir a estabilidade da temperatura: Quando a temperatura ambiente é inferior à temperatura definida, a adega inicia automaticamente a função de compensação de baixa temperatura, aquecendo o aparelho. Quando a temperatura no aparelho atinge a temperatura definida, a função de compensação de baixa temperatura é desligada automaticamente.

12. Alarme de abertura da porta

Se a porta for mantida aberta durante mais de 1 min, ouve-se um sinal sonoro que indica que a porta está fechada ou qualquer tecla no painel de visualização pode ser operada e, em seguida, o sinal sonoro deixa de se ouvir.

13. Indicação de humidade

Prima o botão  durante 3 segundos, a área de visualização mostra a humidade. Em seguida, prima os outros botões, o visor sai da exibição de humidade.

14. Configuração do modo Wi-Fi

CONECTIVIDADE PARÂMETROS WIRELESS

Tecnologia	Wi-Fi	Bluetooth
Standard	IEEE 802.11 b/g/n	Bluetooth v4.2, BR/EDR, BLE
Banda(s) de frequência [MHz]	2401×2483	2402×2480
Potência máxima [mW] Banda(s) [MHz]	100	10

INFORMAÇÕES SOBRE O PRODUTO

Como ativar o módulo Wi-Fi:

- Prima o botão de luz durante 3 segundos para ativar
- O módulo Wi-Fi é ligado e o ícone Wi-Fi começa a piscar
- Se a adega estiver registada, mas o Wi-Fi estiver desligado, o ícone pisca
- Se a adega estiver registada e conectada o ícone Wi-Fi está sempre aceso
- Para repor o Wi-Fi prima a luz durante 3 segundos

PROCEDIMENTO DE EMPARELHAMENTO NA APLICAÇÃO

Passo 1

- Faça download da aplicação hOn nas lojas



Passo 2

- Faça login ou registe-se



Passo 3

- Adicione um novo aparelho seleccionando a adega da lista



Passo 4

- Digitalize o QR ou insira manualmente o número de série



Passo 5

- Prima o botão de luz do produto durante 3s para ativar o Wi-Fi



Passo 6

- O ícone wi-fi irá piscar, o processo de emparelhamento está em curso
- Tem 5 minutos para completar o processo de emparelhamento
- Quando o processo está concluído, o ícone Wi-Fi irá parar de piscar e permanecerá sempre ligado

NOTA





Dicas de poupança de energia

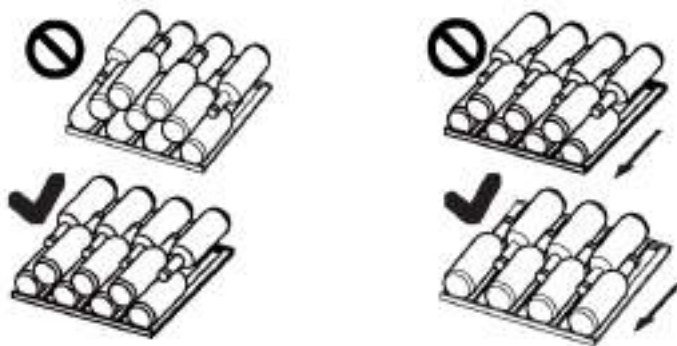
- ▶ Certifique-se de que o aparelho está devidamente ventilado (ver INSTALAÇÃO).
- ▶ Não instale o aparelho sob luz solar direta ou na proximidade de fontes de calor (por exemplo, fogões, aquecedores).
- ▶ Evite temperaturas desnecessariamente baixas no aparelho. O consumo de energia aumenta quanto menor for a temperatura no aparelho.
- ▶ Abra a porta do aparelho o mínimo e tão brevemente quanto possível.
- ▶ Não exceda a quantidade de garrafas prevista para evitar obstruir o fluxo de ar.
- ▶ Mantenha as vedações da porta limpas para que a porta feche sempre corretamente.

1. Prateleira


1. As prateleiras são projetadas para um armazenamento e remoção fáceis do vinho. Podem ser limpas com uma toalha macia.
2. Garrafas comuns com diâmetro de 76 mm podem ser empilhadas.
3. Garrafas maiores podem ser empilhadas na prateleira inferior.
4. A quantidade pode variar do número ou garrafas ilustradas se forem empilhadas de forma diferente.

Conselhos sobre a disposição da sua adega

Recomendamos que o número de garrafas de vinho não exceda duas camadas em cada prateleira e que a capacidade das prateleiras de vinho não exceda 20 kg. Antes de colocar as garrafas dentro da adega, confirme se as prateleiras do vinho estão completamente estáveis. Além disso, confirme se existe alguma garrafa saliente das prateleiras, a fim de evitar que as garrafas batam na porta de vidro ao fechar.



2. A luz

A luz interior LED acende-se quando a porta é aberta. Para acender a luz enquanto a porta está fechada, toque no botão . Para apagar as luzes, toque no botão novamente. Para aumentar a eficiência energética, as luzes devem ser desligadas quando a adega não estiver a ser visualizada.

3. A fechadura

Para trancar a adega, feche a porta e coloque a chave na fechadura:

- ▶ Tranque a porta rodando a chave no sentido contrário ao dos ponteiros do relógio;
- ▶ Destranque a porta rodando a chave no sentido dos ponteiros do relógio.

1. Descongelamento

O descongelamento da adega é feito automaticamente; nenhuma operação manual é necessária.

2. Substituir a lâmpada LED

A lâmpada usa LED como sua fonte de luz, com baixo consumo de energia e longa vida útil. Se houver alguma anomalia, entre em contato com a assistência ao cliente. Consulte ASSISTÊNCIA AO CLIENTE.



AVISO!

Não substitua a lâmpada LED você mesmo. Só pode ser substituída pelo fabricante ou pelo agente de serviço autorizado.

Parâmetros da lâmpada LED:

Tensão 12V; Potência máxima: 8W (forHWS77GDAU1)

Tensão 12V; Potência máxima: 5W (forHWS42GDAU1)

3. Não utilizar durante um período maior

Desligue o cabo de alimentação.

Limpe o eletrodoméstico e as juntas da porta conforme descrito acima.

Mantenha a porta aberta para evitar a criação de maus odores no interior.

4. Mover o aparelho

1. Remova todas as garrafas e desligue o aparelho.
2. Fixe prateleiras e outras peças móveis na adega com fita adesiva.
3. Não incline a adega mais de 45° para evitar danificar o sistema de refrigeração.

5. Troca de ar com filtro de carvão ativado

A forma como os vinhos continuam a amadurecer depende das condições ambientais. A qualidade do ar é, portanto, decisiva para a preservação do vinho. Um filtro de carvão ativado foi instalado na área inferior da parede traseira do aparelho para eliminar resíduos de forma ótima.



Aviso

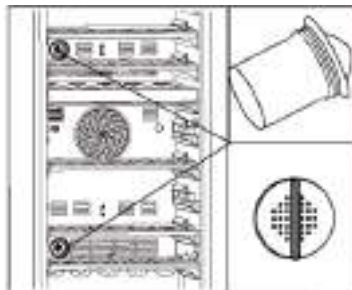
Recomendamos que substitua o filtro uma vez por ano. Pode obter os filtros do seu revendedor.

Substituir o filtro:

Retire o filtro pela pega. Vire-o para a esquerda e remova.

Inserir o filtro:

Insira com a pega em posição vertical. Vire-o para a direita e insira.



Muitos problemas que ocorrem podem ser resolvidos por si mesmo sem experiência específica. Em caso de problema, por favor verifique todas as possibilidades apresentadas e siga as instruções abaixo antes de contactar um serviço pós-venda. Consulte ASSISTÊNCIA AO CLIENTE.



AVISO!

- ▶ Antes da manutenção, desative o aparelho e desligue a ficha da tomada.
- ▶ Os equipamentos elétricos devem ser reparados apenas por eletricistas qualificados, uma vez que reparações inadequadas podem causar danos consequenciais consideráveis.
- ▶ Se o cabo de alimentação estiver danificado, este apenas pode ser substituído pelo fabricante, pelo agente de serviço ou por pessoas igualmente qualificadas de forma a evitar o perigo.

Código de erro	Causa	Solução
rH	O aparelho emite um aviso de alta temperatura quando a temperatura do compartimento superior foi superior a 25 °C durante 3 horas.	A temperatura ambiente é demasiado alta. A temperatura de funcionamento do aparelho deve estar compreendida entre 10 °C e 38 °C.
RL	O compressor para de funcionar quando a temperatura é inferior a 0 °C. O aviso de baixa temperatura é dado quando a temperatura foi inferior a 0 °C durante 2 horas.	A temperatura ambiente é demasiado baixa. A temperatura de funcionamento do eletrodoméstico deve estar compreendida entre 10 °C e 38 °C.

Problema	Causa possível	Possível solução
O compressor não funciona.	<ul style="list-style-type: none"> • A ficha de alimentação não está ligada na tomada de alimentação. 	<ul style="list-style-type: none"> • Ligue a ficha de corrente.
O aparelho funciona frequentemente ou funciona por um período de tempo demasiado longo.	<ul style="list-style-type: none"> • A temperatura exterior é muito alta. • O aparelho foi desligado da alimentação por um período de tempo. • Uma porta do eletrodoméstico não está bem fechada. • A porta foi aberta com muita frequência ou por muito tempo. • As juntas da porta estão sujas, desgastadas, rachadas ou não correspondem. • A circulação de ar necessária não é garantida. • A temperatura é demasiado baixa. 	<ul style="list-style-type: none"> • Neste caso, é normal que o aparelho funcione mais tempo. • Normalmente, demora algum tempo para o aparelho arrefecer completamente. • Feche a porta e certifique-se de que o aparelho está localizado num piso e de que não há comida ou recipiente a obstruir a porta. • Não abra a porta com demasiada frequência. • Limpe a vedação da porta ou peça à assistência ao cliente que a substitua. • Assegure uma ventilação adequada. • O problema resolve-se quando a temperatura desejada tiver sido atingida.
O interior da adega está sujo e/ou com cheiros.	<ul style="list-style-type: none"> • O interior da adega necessita de limpeza. 	<ul style="list-style-type: none"> • Limpe o interior da adega de vinho.
Não está frio o suficiente dentro do aparelho.	<ul style="list-style-type: none"> • A temperatura está definida para demasiado alta. • As garrafas foram adicionadas recentemente. • Uma porta do eletrodoméstico não está bem fechada. • A porta foi aberta com muita frequência ou por muito tempo. • As juntas da porta estão sujas, desgastadas, rachadas ou não correspondem. 	<ul style="list-style-type: none"> • Repor a temperatura. • Deixe tempo para garrafas adicionadas recentemente atingirem a temperatura desejada. • Feche a porta. • Não abra a porta com demasiada frequência. • Limpe a vedação da porta ou peça à assistência ao cliente que a substitua.
Está demasiado frio no interior do aparelho.	<ul style="list-style-type: none"> • A temperatura é demasiado baixa. 	<ul style="list-style-type: none"> • Repor a temperatura.
Formação de humidade no interior do compartimento do frigorífico.	<ul style="list-style-type: none"> • O clima é demasiado quente e demasiado húmido. • Uma porta do eletrodoméstico não está bem fechada. • A porta foi aberta com muita frequência ou por muito tempo. 	<ul style="list-style-type: none"> • Aumente a temperatura. • Feche a porta. • Não abra a porta/gaveta com muita frequência.

Problema	Causa possível	Possível solução
A humidade acumula-se na superfície externa da adegas.	<ul style="list-style-type: none"> • O clima é demasiado quente e demasiado húmido • A porta não está totalmente fechada. O ar frio no aparelho e o ar quente no exterior condensam. 	<ul style="list-style-type: none"> • Isso é normal num clima húmido e mudará quando a humidade diminuir. • Certifique-se de que a porta está bem fechada e que os vedantes selam corretamente.
O aparelho faz sons anormais	<ul style="list-style-type: none"> • O aparelho não está colocado sobre um piso nivelado. • O aparelho toca em algum objeto ao seu redor. 	<ul style="list-style-type: none"> • Ajuste os pés para nivelar o aparelho. • Remova objetos em redor do aparelho.
Deve ouvir-se um som leve semelhante ao de água a correr.	<ul style="list-style-type: none"> • Isto é normal 	<ul style="list-style-type: none"> • -
O sistema de iluminação interior ou de arrefecimento não funciona.	<ul style="list-style-type: none"> • A ficha de alimentação não está ligada à tomada de alimentação. • A fonte de alimentação não está intacta. • A lâmpada LED está avariada. 	<ul style="list-style-type: none"> • Ligue a ficha de corrente. • Verifique a alimentação elétrica da divisão. Ligue para a companhia de eletricidade local. • Por favor, ligue para a assistência para substituir
Os lados do refrigerador e a tira da porta ficam quentes	<ul style="list-style-type: none"> • Isto é normal. 	<ul style="list-style-type: none"> • -
A porta não fecha corretamente	<ul style="list-style-type: none"> • O aparelho não está nivelado. • A porta está bloqueada. 	<ul style="list-style-type: none"> • Nivele o aparelho com os pés de nivelamento. • Verifique se há obstruções como garrafas ou prateleiras.

Ficha de produto de acordo com o Regulamento UE N.º 1060/2010

Marca	Haier	Haier
Nome do modelo / identificador	HWS42GDAU1	HWS77GDAU1
Capacidade nominal do frasco	42	77
Categoria de refrigeração para uso doméstico	2	2
Classe de eficiência energética	A	A
Consumo anual de energia (kWh/ano) ¹⁾	142	152
Volume de armazenagem (L)	106	190
Classe climática: Este aparelho destina-se a ser utilizado a uma temperatura ambiente entre 10 °C e 38 °C.	SN N ST	SN N ST
Emissões de ruído aéreo (db(A) re 1pW)	37	37
Tipo de aparelho	Instalação independente	Instalação independente
Este aparelho destina-se exclusivamente à armazenagem de vinho.	Sim	Sim
Dimensões (D/W/H em mm)	585/497/820	585/497/1270

Explicações:

- 1) com base nos resultados do teste padrão durante 24 horas. O consumo real de energia depende do ambiente real, da quantidade de garrafas, da temperatura ajustada, da abertura e fecho da porta, etc.
- 2) O consumo nominal de energia é o valor obtido de acordo com o ensaio normal quando o armário de vinhos não acende a luz interna.

11.3 Normas e diretivas

Este produto cumpre os requisitos de todas as diretivas CE aplicáveis com as normas harmonizadas correspondentes, que permitem a marcação CE.

Recomendamos o nosso Serviço de Assistência ao Cliente da Haier e a utilização de peças de reposição originais.

Se tiver algum problema com o seu aparelho, verifique primeiro a secção RESOLUÇÃO DE PROBLEMAS.

Se não conseguir encontrar uma solução nesta secção, entre em contato

- ▶ com o seu revendedor local ou
- ▶ a área de Serviço e Suporte em www.haier.com onde pode encontrar números de telefone e perguntas frequentes e onde pode ativar um pedido de assistência.

Para contactar a nossa Assistência, certifique-se de que tem os seguintes dados disponíveis. As informações podem ser encontradas na placa de classificação.

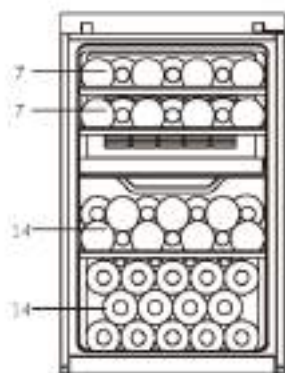
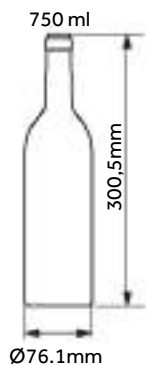
Modelo _____ N.º de série _____

Verifique também o cartão de garantia fornecido com o produto em caso de garantia.

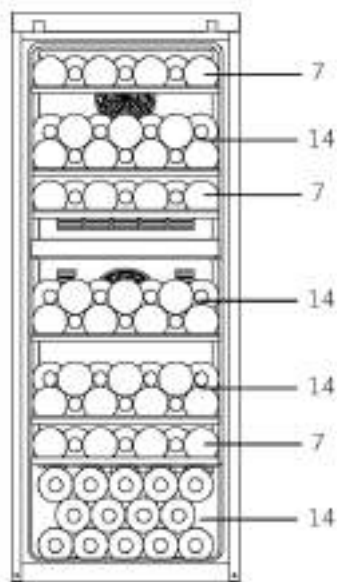
Para consultas gerais, por favor encontre os nossos endereços na Europa abaixo:

Endereços da Haier na Europa

País*	Endereço postal	País	Endereço postal
Itália	Haier Europe Trading SRL Via De Cristoforis, 12 21100 Verese ITÁLIA	França	Haier France SAS 3-5 rue des Gravieres 92200 Neuilly sur Seine FRANÇA
Espanha Portugal	Haier Iberia SL Pg. Garcia Faria, 49-51 08019 Barcelona ESPANHA	Bélgica-FR Bélgica-NL Países Baixos Luxemburgo	Haier Benelux SA Anderlecht Route de Lennik 451 BÉLGICA
Alemanha Áustria	Haier Deutschland GmbH Hewlett-Packard-Str. 4 D-61352 Bad Homburg ALEMANHA	Polónia República Checa Hungria Grécia Roménia Rússia	Haier Poland Sp. zo.o. Al. Jerozolimskie 181B 02-222 Warszawa POLÓNIA
Reino Unido	Haier Appliances UK Co. Ltd. One Crown Square Church Street East Woking, Surrey, GU21 6HR RU		



HWS42GDAU1
(42)



HWS77GDAU1
(77)



Gebruik-
shandleiding

Wijnkelder

HWS77GDAU1

HWS42GDAU1

NL

Haier

Bedankt voor de aankoop van dit Haier-product.

Lees deze instructies zorgvuldig door voordat u dit apparaat gebruikt. De instructies bevatten belangrijke informatie die u helpt het beste uit het apparaat te halen en veilige en correcte installatie, gebruik en onderhoud te waarborgen.

Bewaar deze handleiding op een handige plaats zodat u hem altijd kunt raadplegen voor een veilig en correct gebruik van het apparaat.

Als u het apparaat verkoopt, weggeeft of achterlaat wanneer u verhuist, zorg er dan voor dat u deze handleiding ook overdraagt, zodat de nieuwe eigenaar het apparaat en de veiligheidswaarschuwingen kan leren kennen.



Legenda

Waarschuwing - Belangrijke veiligheidsinformatie



Algemene informatie en tips



Milieu-informatie



Verwijdering

Help het milieu en de menselijke gezondheid te beschermen. Doe de verpakking in de daarvoor bestemde containers om deze te recyclen. Help het afval van elektrische en elektronische apparaten te recyclen. Gooi apparaten met dit symbool niet weg bij het huisvuil. Lever het product in bij uw plaatselijke recyclinginrichting of neem contact op met uw gemeentekantoor.



WAARSCHUWING!

Gevaar voor letsel of verstikking!

Koelmiddelen en gassen moeten professioneel worden verwijderd. Controleer of de leidingen van het koelmiddelcircuit niet zijn beschadigd voordat ze op de juiste manier worden afgevoerd. Haal de stekker van het apparaat uit het stopcontact. Knip het netsnoer af en gooi het weg. Verwijder de bakken en laden en de deurvergrendeling en -afdichtingen, om te voorkomen dat kinderen en huisdieren in het apparaat worden opgesloten.

Oude apparaten hebben nog enige restwaarde. Een milieuvriendelijke verwijderingsmethode zorgt ervoor dat waardevolle grondstoffen kunnen worden teruggewonnen en opnieuw kunnen worden gebruikt.

Cyclopentaan, een brandbare stof die niet schadelijk is voor de ozonlaag, wordt gebruikt als expansiemiddel voor het isolatieschuim

Door dit product op de juiste manier af te voeren, helpt u mogelijke negatieve gevolgen voor het milieu en de menselijke gezondheid te voorkomen, die anders zouden kunnen worden veroorzaakt.

Voor meer gedetailleerde informatie over het recyclen van dit product kunt u contact opnemen met uw gemeente, uw huisvuilverwijderingsdienst of de winkel waar u het product hebt gekocht, om het door professionals te laten afvoeren.

1- Veiligheidsinformatie	228
2- Veiligheidstips	231
3- Onderhoud	235
4- Accessoires	237
5- Productbeschrijving	238
6- Installatie	239
7- Gebruik	242
8- Tips voor energiebesparing.....	247
9- Apparatuur.....	248
10- Onderhoud en reiniging	249
11- Problemen oplossen.....	250
12- Klantenservice.....	254
13- Wijnflessen stapelen.....	255

Dit apparaat is uitsluitend bedoeld voor het bewaren van wijn. Lees voordat u het apparaat voor het eerst inschakelt de volgende veiligheidstips:



WAARSCHUWING!

Voor het eerste gebruik

- ▶ Controleer of er geen transportschade is.
- ▶ Verwijder alle verpakkingen, houd ze buiten bereik van kinderen en gooi ze op een milieuvriendelijke manier weg.
- ▶ Wacht ten minste twee uur voordat u het apparaat installeert, om er zeker van te zijn dat het koelmiddelcircuit volledig werkt.
- ▶ Verplaats het apparaat altijd met ten minste twee personen omdat het zwaar is.

Installatie

- ▶ Het apparaat moet op een goed geventileerde plaats worden geplaatst. Zorg voor een ruimte van ten minste 10 cm boven en rond het apparaat.
- ▶ **WAARSCHUWING:** Zorg ervoor dat de ventilatieopeningen in de behuizing van het apparaat of in de ingebouwde constructie open blijven.
- ▶ Plaats het apparaat nooit in een vochtige ruimte of op een plaats waar het met water kan worden bespat. Reinig en droog waterspatten en vlekken met een zachte, schone doek
- ▶ Installeer uw wijnkast niet op een plaats die niet goed geïsoleerd of verwarmd is, zoals bijvoorbeeld in een garage. Uw wijnkast is niet ontworpen om te werken bij een omgevingstemperatuur lager dan 10°C.
- ▶ Installeer het apparaat niet in direct zonlicht of in de buurt van warmtebronnen (bv. kachels, verwarmingstoestellen).
- ▶ Installeer en nivelleer het apparaat op een plaats die geschikt is voor de grootte en het gebruik ervan.
- ▶ Controleer of de elektrische informatie op het typeplaatje overeenkomt met de stroomvoorziening. Als dat niet het geval is, neem dan contact op met een elektricien.
- ▶ Het apparaat wordt gebruikt met een voeding van 220-240 VAC/50 Hz. Abnormale spanningsschommelingen kunnen ertoe leiden dat het apparaat niet start of dat de temperatuurregeling of de compressor beschadigd raakt of dat er tijdens het gebruik een abnormaal geluid optreedt. In dat geval moet er een automatische regelaar worden gemonteerd.
- ▶ Gebruik geen stekkerdozen en verlengkabels.



WAARSCHUWING!

- ▶ **WAARSCHUWING:** Plaats niet meerdere draagbare stopcontacten of draagbare voedingen op de achterkant van het apparaat.
- ▶ **WAARSCHUWING:** Zorg er bij het neerzetten van het apparaat voor dat het netsnoer niet bekneld of beschadigd raakt.
- ▶ Ga niet op de voedingskabel staan.
- ▶ Gebruik een apart geaard stopcontact voor de stroomvoorziening, dat gemakkelijk toegankelijk is. Het apparaat moet geaard zijn.
- ▶ **Alleen voor Groot-Brittannië:** Het netsnoer van het apparaat is voorzien van een 3-aderige (geaarde) stekker die past op een standaard 3-aderig (geaard) stopcontact. De derde pin (aarding) mag nooit worden afgesneden of gedemonteerd. Nadat het apparaat is geïnstalleerd, moet de stekker bereikbaar zijn.
- ▶ **WAARSCHUWING:** Beschadig het koelcircuit niet.

Dagelijks gebruik

- ▶ Dit apparaat mag worden gebruikt door kinderen vanaf 8 jaar en door personen met verminderde lichamelijke, zintuiglijke of geestelijke vermogens of met een gebrek aan kennis en ervaring, mits zij onder toezicht worden gehouden of instructies hebben gekregen om het apparaat veilig te kunnen gebruiken en de gevaren begrijpen die ermee gepaard gaan.
- ▶ Kinderen mogen niet met het apparaat spelen.
- ▶ Kinderen van 3 tot 8 jaar mogen wel koelapparatuur inladen en uitladen, maar niet reinigen en installeren.
- ▶ Houd kinderen onder de 3 jaar uit de buurt van het apparaat, tenzij ze voortdurend onder toezicht staan.
- ▶ Het schoonmaken en het onderhoud mag niet door kinderen worden uitgevoerd als er geen toezicht is.
- ▶ Het apparaat moet zo worden geplaatst dat de stekker bereikbaar is.
- ▶ Als er koolgas of ander brandbaar gas in de buurt van het apparaat lekt, moet u het ventiel van het lekkende gas sluiten, de deuren en ramen openen en mag u de stekker niet uit het stopcontact halen.
- ▶ Wacht minstens 7 minuten met het opnieuw aansluiten van de stroom nadat de stekker uit het stopcontact is gehaald.
- ▶ Til het apparaat niet op aan de deurgrepen.
- ▶ De sleutels moeten buiten het bereik van kinderen worden gehouden en mogen niet in de buurt van het apparaat worden bewaard, om te voorkomen dat kinderen in het apparaat worden opgesloten.



WAARSCHUWING!

- ▶ Merk op dat het apparaat is ingesteld voor gebruik in het specifieke omgevingsbereik tussen 10 en 38 °C. Het apparaat kan mogelijk niet goed functioneren als het gedurende lange tijd op een temperatuur boven of onder het aangegeven bereik wordt gehouden.
- ▶ Plaats geen onstabiele voorwerpen (zware voorwerpen, containers gevuld met water) op het apparaat, om persoonlijk letsel door vallen of elektrische schokken door contact met water te voorkomen.
- ▶ Open en sluit de deur alleen met de handgrepen. De ruimte tussen de deur en de kast is zeer smal. Steek uw handen niet in deze ruimtes, om te voorkomen dat uw vingers bekneld raken. Open of sluit de deuren van het apparaat alleen als er geen kinderen zijn die zich binnen het bewegingsbereik van de deur bevinden.
- ▶ Bewaar of gebruik in het apparaat of in de omgeving geen brandbare, explosieve of corrosieve materialen.
- ▶ Sla geen explosieve stoffen, zoals spuitbussen met een brandbaar drijfgas, op in dit apparaat.
- ▶ Bewaar geen geneesmiddelen, bacteriën of chemische middelen in het apparaat. Dit is een huishoudelijk apparaat. Het wordt niet aanbevolen om materialen op te slaan die strikte temperaturen vereisen.
- ▶ Stel de temperatuur in de wijnkast niet onnodig laag in. Bij een hoge instelling kunnen temperaturen onder nul optreden. Let op: Flessen kunnen barsten
- ▶ Raak het binnenoppervlak van het apparaat niet aan wanneer het in werking is, vooral niet met natte handen, omdat uw handen aan het oppervlak vast kunnen vriezen.
- ▶ Voor een goede koeling van de wijn mag u het apparaat niet te volladen.
- ▶ Haal de stekker van het apparaat uit het stopcontact wanneer er een stroomonderbreking optreedt of voordat u het schoonmaakt. Laat het apparaat minstens 7 minuten rusten voordat u het opnieuw opstart, omdat vaak starten de compressor kan beschadigen.
- ▶ **WAARSCHUWING:** Gebruik geen elektrische apparaten in het apparaat, tenzij deze van het type zijn dat door de fabrikant wordt aanbevolen. Om risico's te vermijden moet een beschadigd netsnoer worden vervangen door de klantenservice (zie garantiekaart).
- ▶ Om de levensduur van het apparaat te verlengen, moet u het niet uitschakelen.
- ▶ Plaats het apparaat nooit horizontaal op de grond. Nadat u het apparaat meer dan 45° heeft gekanteld, wacht u 24 uur voordat u het aansluit.



WAARSCHUWING!

Onderhoud / reiniging

- ▶ Zorg ervoor dat kinderen onder toezicht staan als ze schoonmaak en onderhoud uitvoeren.
- ▶ Haal de stekker van het apparaat uit het stopcontact voordat u routineonderhoud uitvoert. Laat het apparaat minstens 7 minuten rusten voordat u het opnieuw opstart, omdat vaak starten de compressor kan beschadigen.
- ▶ Houd de stekker vast, niet het snoer, wanneer u de stekker uit het stopcontact haalt.
- ▶ Reinig het apparaat niet met harde borstels, draadborstels, waspoeder, benzine, amylacetaat, aceton en soortgelijke organische oplossingen, zure of alkalische oplossingen. Reinig het apparaat met een speciaal reinigingsmiddel voor koelkasten/vriezers om schade te voorkomen. U kunt eventueel ook een oplossing van warm water en zuiveringszout gebruiken - ongeveer een eetlepel zuiveringszout per liter water. Spoel grondig af met water en veeg droog. Gebruik geen schoonmaakpoeder of andere schurende middelen. Was verwijderbare onderdelen niet in een vaatwasser.
- ▶ **WAARSCHUWING:** Gebruik geen mechanische apparaten of andere middelen om het ontdooien te versnellen, behalve als deze door de fabrikant worden aanbevolen.
- ▶ Als het netsnoer beschadigd is, moet het worden vervangen door de fabrikant, diens servicevertegenwoordiger of vergelijkbaar gekwalificeerde personen om gevaar te voorkomen.
- ▶ Probeer het apparaat niet zelf te repareren, te demonteren of te wijzigen. In geval van reparatie kunt u contact opnemen met onze klantenservice.
- ▶ Als de lampen zijn beschadigd, moeten deze worden vervangen door de fabrikant, diens servicevertegenwoordiger of vergelijkbaar gekwalificeerde personen om gevaar te voorkomen.
- ▶ Verwijder het stof aan de achterkant van het toestel ten minste eenmaal per jaar om brandgevaar en een verhoogd energieverbruik te voorkomen.

- ▶ Spuit niet op het apparaat en spoel het niet af tijdens het reinigen.
- ▶ Gebruik geen waterstraal of stoom om het apparaat schoon te maken.
- ▶ Reinig de koude glazen deur niet met warm water. Door plotselinge temperatuurveranderingen kan het glas breken.
- ▶ Als u het apparaat voor langere tijd buiten gebruik laat, laat het dan open staan om te voorkomen dat er binnenin onaangename geuren ontstaan.

Informatie over koelgas



WAARSCHUWING!

Het apparaat bevat het brandbare koelmiddel ISOBUTAAN (R600a). Controleer of het koelcircuit tijdens transport of installatie niet is beschadigd. Lekkend koelmiddel kan oogletsel veroorzaken of ontbranden. Houd bij beschadiging open vuurbronnen uit de buurt, ventileer de ruimte grondig en trek de stekker van het apparaat of andere apparaten **niet** uit het stopcontact. Informeer de klantenservice.

Als de ogen in contact komen met het koelmiddel, spoel het dan onmiddellijk onder stromend water af en bel onmiddellijk de oogspecialist.

WAARSCHUWING: Het koelsysteem staat onder hoge druk. Wijzig er niets aan. Aangezien er brandbare koelmiddelen worden gebruikt, moet u het apparaat volgens de aanwijzingen installeren, verplaatsen en onderhouden en moet u contact opnemen met de professionele vertegenwoordiger of onze klantendienst om het apparaat te verwijderen.

Bedoeld gebruik

Dit apparaat is bedoeld voor huishoudelijk gebruik of voor soortgelijke toepassingen, zoals:

- personeelskeukens in winkels, kantoren en andere werkomgevingen;
 - op boerderijen en door klanten van hotels, motels en andere omgevingen van een residentieel type;
 - in bed and breakfast-omgevingen;
 - voor catering en dergelijke toepassingen die niet voor de kleinhandel zijn.
- Neem deze gebruiksinstructies in acht om een veilige bewaring van de wijn te garanderen.
- De gegevens over het meest geschikte gedeelte in de koelruimte van het toestel waar specifieke soorten levensmiddelen moeten worden opgeslagen, rekening houdend met de verdeling van de temperatuur die in de verschillende ruimten van het apparaat aanwezig kan zijn, staan in het andere deel van de handleiding.

Wijzigingen of aanpassingen van het apparaat zijn niet toegestaan. Onbedoeld gebruik kan risico's en verlies van garantieclaims veroorzaken.

Verwijdering



Het symbool  op het product of op de verpakking geeft aan dat dit product niet als huishoudelijk afval mag worden behandeld. In plaats daarvan moet het worden ingeleverd bij het toepasselijke inzamelpunt voor de recycling van elektrische en elektronische apparatuur. Door dit product correct te verwijderen, helpt u potentiële negatieve gevolgen voor het milieu en de menselijke gezondheid te voorkomen, die anders door de verkeerde behandeling van dit product als afval zouden kunnen worden veroorzaakt. Voor meer gedetailleerde informatie over de recycling van dit product neemt u contact op met het gemeentekantoor in uw woonplaats, de dienst voor verwijdering van huishoudelijk afval of de winkel waar u het apparaat hebt gekocht.

Aangezien er brandbare isolatiegassen worden gebruikt, moet u contact opnemen met de professionele vertegenwoordiger of onze klantenservice om het apparaat te verwijderen.

WAARSCHUWING!

Gevaar voor verstikking!

Koelmiddelen en gassen moeten professioneel worden verwijderd. Controleer of de leidingen van het koelmiddelcircuit niet zijn beschadigd voordat ze op de juiste manier worden afgevoerd. Haal de stekker van het apparaat uit het stopcontact. Knip het netsnoer af en gooi het weg. Verwijder de bakken en laden en de deurvergrendeling en -afdichtingen, om te voorkomen dat kinderen en huisdieren in het apparaat worden opgesloten.

- ▶ **WAARSCHUWING:** Haal de stekker van het apparaat uit het stopcontact voordat u het reinigt.
- ▶ Reinig het apparaat niet met harde borstels, draadborstels, waspoeder, benzine, amylicetaat, aceton en soortgelijke organische oplossingen, zure of alkalische oplossingen. Reinig het apparaat met een speciaal reinigingsmiddel voor koelkasten om schade te voorkomen.
- ▶ Reinig het apparaat als er weinig of geen wijn in is opgeslagen. Het hoeft alleen te worden schoongemaakt wanneer het vuil is.
- ▶ Reinig de binnenkant en behuizing van het apparaat met een spons die is bevochtigd in warm water en een neutraal reinigingsmiddel.
- ▶ Spoel af met schoon warm water en droog het af met een zachte doek.
- ▶ Reinig de onderdelen van het apparaat niet in een vaatwasser.
- ▶ Laat het apparaat minstens 7 minuten rusten voordat u het opnieuw opstart, omdat vaak starten de compressor kan beschadigen.



De deurpakking reinigen:

- ▶ De deurpakkingen moeten om de 3 maanden worden gereinigd om een goede afdichting te verzekeren. Zoals hieronder: Verwijderen: Pak de deurpakking vast en trek hem naar buiten in de richting van de pijl om de hele deurpakking te verwijderen.

Doop de borstel in water of voedselkwaliteit alcohol, reinig eerst de groef van de deurpakking door de borstel heen en weer te trekken. Veeg vervolgens het oppervlak van de deurpakking af met een handdoek die gedrenkt is in water of alcohol van voedselkwaliteit. Was tot slot de deurpakking schoon en veeg deze droog met een schone handdoek.



De deurpakking installeren na het reinigen:

Zorg er voor de installatie voor dat er geen water op de deurpakking staat. Steek de pakking van de deur in de groef en duw de deurpakking van boven naar beneden met de hand stevig aan totdat de hele deurpakking in de groef zit.

De planken schoonmaken:

- ▶ Alle planken kunnen worden verwijderd voor reiniging.
- ▶ Haal alle flessen uit het apparaat.
- ▶ Til elke plank een beetje op en verwijder.
- ▶ Reinig de plank met een zachte handdoek.
- ▶ Wacht totdat de planken droog zijn voordat u ze terugplaatst.

WAARSCHUWING:

Wacht minstens 7 minuten met het opnieuw aansluiten van de stroom nadat de stekker uit het stopcontact is gehaald.

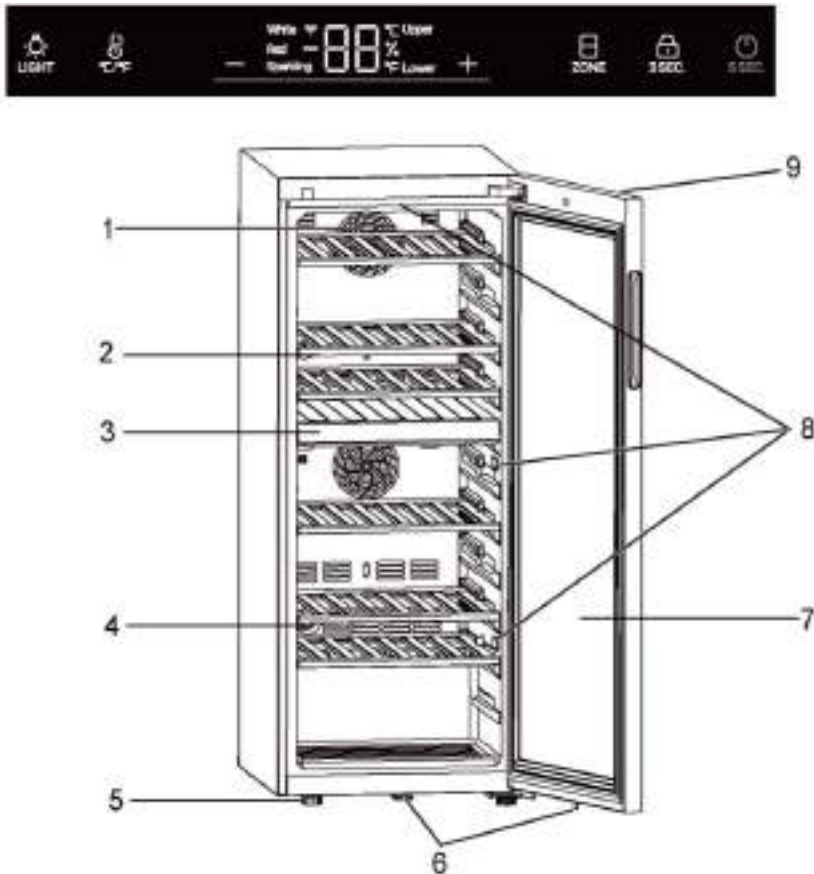
Controleer de accessoires en literatuur volgens deze lijst: zonder isolatie.

Naam	Gebruiks-handleiding	Service-kaart	Plank	Kleine plank	Klapdeksel	Energy Label	Sleutel	Linker hok van deurhandgreep
HWS77GDAU1	1	1	6	1	1	1	2	2
HWS42GDAU1	1	1	3	1	1	1	2	2

Let op

Door technische wijzigingen en verschillende modellen kunnen sommige afbeeldingen in deze handleiding afwijken van uw model.

Afbeelding van het apparaat



- | | |
|------------------------|---|
| 1. Ventilator | 6. Slot |
| 2. Plank | 7. Deur |
| 3. Middelste gedeelte | 8. Ledlamp |
| 4. Actief koelfilter | 9. Display (op de voorkant van de deur) |
| 5. Verstelbare pootjes | |

1. Uitpakken

- ▶ Haal het apparaat uit de verpakking.
- ▶ Verwijder al het verpakkingsmateriaal, inclusief de schuimbodem en al het plakband waarmee de accessoires vastzitten.

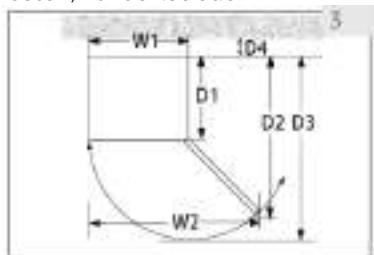
2. Omgevingsomstandigheden

De kamertemperatuur moet altijd tussen 10 °C en 38 °C liggen, omdat deze van invloed kan zijn op de temperatuur in het apparaat en het energieverbruik ervan. Installeer het apparaat niet in de buurt van andere warmtebronnen (ovens, koelkasten) zonder isolatie.

3. Benodigde ruimte

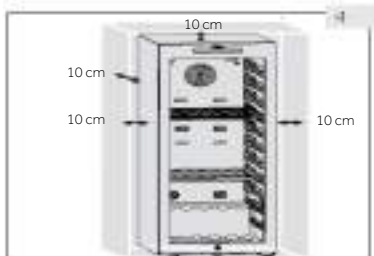
Benodigde ruimte om de deur te openen (afb. 3).

Breedte in mm		Diepte in mm			Afstand tot de muur in mm
B1	B2	D1	D2	D3	D4
495	630	535	1033	1047	100



4. Ventilatie ruimte

Om veiligheids- en energieredenen moet de vereiste ventilatieafstand van 10 cm in alle richtingen in acht worden genomen (afb. 4).



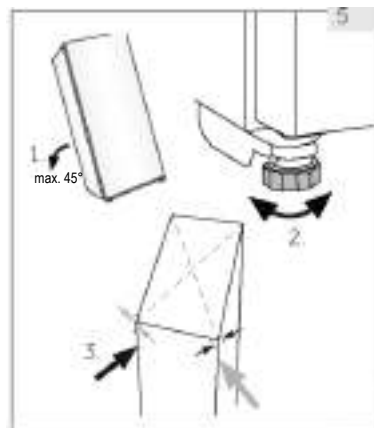
WAARSCHUWING!

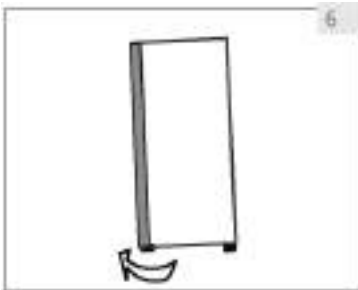
- ▶ Zorg ervoor dat de ventilatieopeningen in het apparaat of in de ingebouwde constructie open blijven.

5. Het apparaat uitlijnen

Plaats het apparaat op een vlakke en vaste ondergrond.

1. Kantel het apparaat iets naar achteren (afb. 5).
2. Stel de verstelbare voorste pootjes in op het gewenste niveau door ze te draaien.
3. De stabiliteit kan worden gecontroleerd door afwisselend op de diagonalen te duwen. De lichte slingering moet in beide richtingen hetzelfde zijn. Anders kan het frame kromtrekken; mogelijk lekkende deurafdichtingen zijn het resultaat. Een kleine helling naar achteren vergemakkelijkt het sluiten van de deur.



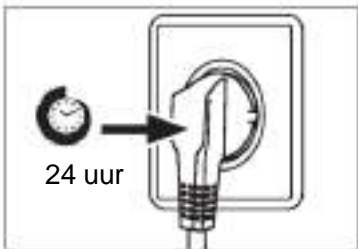


6. Fijnafstelling van de deur

Het apparaat sluit gemakkelijker af als de stelvoetjes aan de voorkant worden gebruikt:

Draai aan de verstelbare voetjes (afb. 6) om ze omhoog of omlaag te draaien:

- ▶ Door de voetjes rechtsom te draaien, gaat het apparaat omhoog
- ▶ Door de voetjes linksom te draaien, gaat het apparaat omlaag



7. Wachtijd

De onderhoudsvrije smeerolie bevindt zich in de behuizing van de compressor. Deze olie kan tijdens het vervoer door het gesloten leidingsysteem komen als het apparaat wordt gekanteld. Voordat u het apparaat op de voeding aansluit, wacht u 24 uur (afb. 7) zodat de olie weer in de behuizing loopt.

8. Elektrische aansluiting

Controleer vóór elke aansluiting of:

- ▶ voeding, stopcontact en zekering geschikt zijn volgens het typeplaatje.
- ▶ het stopcontact is geaard en er geen stekkerdoos of verlengsnoer is.
- ▶ de stekker en het stopcontact goed passen.

Sluit de stekker aan op een correct geïnstalleerd huishoudelijk stopcontact.



WAARSCHUWING!

Om risico's te vermijden moet een beschadigd netsnoer worden vervangen door de klantenservice (zie garantiekaart).

9. Omkeerbaarheid van de deur

Voordat u het apparaat aansluit op de voeding, moet u controleren of de zwaai van de deur moet veranderen van rechts (zoals geleverd) naar links, als dat nodig is voor de installatieplaats en de bruikbaarheid.

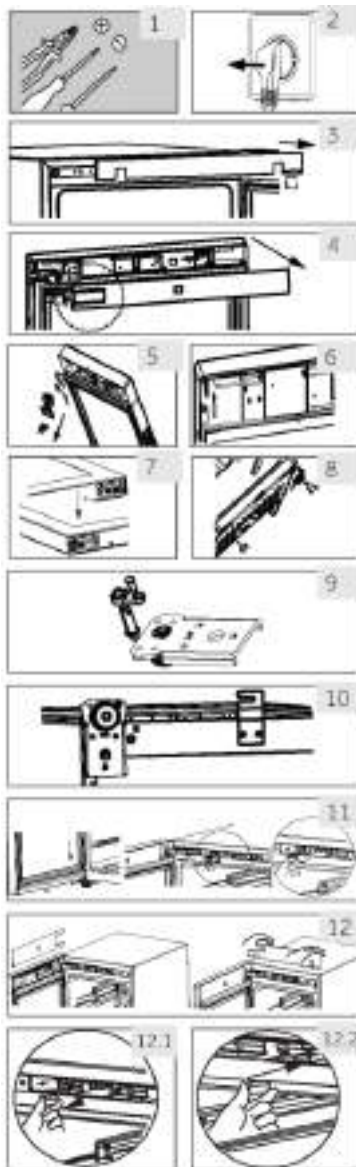


WAARSCHUWING!

- ▶ Het apparaat is zwaar. Er zijn twee personen nodig om de deur om te keren.
- ▶ Haal de stekker van het apparaat uit het stopcontact voordat u eraan gaat werken.
- ▶ Kantel het apparaat niet meer dan 45° om schade aan het koelsysteem te voorkomen.

Montagestappen

1. Zorg voor het nodige gereedschap.
2. Haal de stekker van het apparaat uit het stop-contact.
3. Open de deur, verwijder de voorstrip en zoek de bijbehorende strip om te verwijderen aan de linkerkant en aan de rechterkant van de opening aan te brengen.
4. Haal de stekker uit het stopcontact. Trek het bovenste deel van de deurafdichting naar buiten en verwijder de achterste strip van de deur. (Verwijder van de opening aan de linkerkant)
5. Verwijder 2 schroeven uit het bovenste scharnier.
6. Verwijder de afdekking en het scharnier, verwijder de asafdekking en bevestig deze aan de andere kant en installeer het scharnier in de as.
7. Verwijder de nok en de deurhouder en verplaats de deurhouder naar de andere kant van de deur. Installeer de nieuwe nok uit de zak met onderdelen.
8. Kast gekanteld (minder dan 45°), verwijder het onderste scharnier (3 schroeven) als back-up.
9. Verwijder de onderste scharniernok en de scharnieras. Installeer de as aan de rechterkant van het onderste scharnier. Neem de nok uit de zak met onderdelen en monteer deze op de onderste scharnieras.
10. Installeer het onderste scharnier en het onderste pootje aan de andere kant van de kast. Smeer de nok.
11. Installeer de deur op de onderste scharnieras en bevestig het bovenste scharnier met twee schroeven op de kast. Bevestig de signaalkabels in het midden van de bovenste scharniergroef en neem het scharnierdeksel uit de zak met onderdelen en bevestig het aan het bovenste scharnier.
12. Installeer de deurafdichting en de deurstrip op de deur. Breng het paar deursignaalkabels aan, verplaats de magneetschakelaar (12.1) naar de rechter montagesleuf (12.2) van de bovenbalk en bevestig de voorkant van de kast
13. Zorg ervoor dat de deur goed kan worden geopend en gesloten.



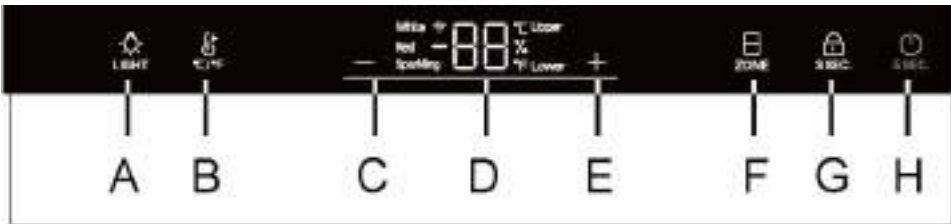
1. Voor het eerste gebruik

- ▶ Verwijder al het verpakkingsmateriaal. Dit geldt zowel voor de schuimbasis als voor al het plakband waarmee de accessoires van de wijnkast zowel binnen als buiten vastzitten. Houd het buiten het bereik van kinderen en gooi het weg op een milieuvriendelijke manier.
- ▶ Reinig de binnen- en de buitenkant van het apparaat met water en een mild reinigingsmiddel voordat u er wijn in plaatst.
- ▶ Nadat het apparaat waterpas is gezet en gereinigd, moet u minstens 2 uur wachten voordat u het op het elektriciteitsnet aansluit. Als uw wijnkast om welke reden dan ook is gekanteld, wacht dan 24 uur voordat u het apparaat aansluit. Zie het hoofdstuk INSTALLATIE.
- ▶ Nadat u het apparaat hebt aangesloten op een stopcontact, laat u het minstens 30 minuten werken om te acclimatiseren voordat u eventuele aanpassingen aanbrengt.
- ▶ De temperatuur wordt automatisch ingesteld op 12 °C. Indien gewenst kunt u de temperatuur handmatig wijzigen. Zie TEMPERATUUR.

2. Aanraaktoetsen


De toetsen op het bedieningspaneel zijn aanraaktoetsen, die reageren als ze licht met de vinger worden aangeraakt.

3. Beschrijving van het bedieningspaneel



- | | | | |
|---|------------------------------|---|------------------------------|
| A | Binnenverlichting/Wifi-toets | E | Temperatuurregeltoets: hoger |
| B | °C/°F-omzettingstoets | F | Selectie temperatuurzone |
| C | Temperatuurregeltoets: lager | G | Vergrendeltoets |
| D | Display | H | Aan/uit-toets |

4. Automatische vergrendelfunctie

Het bedieningspaneel wordt 30 seconden na het inschakelen automatisch vergrendeld, brandt. Om de toetsenvergrendeling te activeren, drukt u 3 seconden op de toets ; wanneer de toetsen zijn vergrendeld, wordt de led-achtergrondverlichting gedimd. Toets A wordt niet vergrendeld.

5. Functie aan/uit-toets

Wanneer het display is ontgrendeld, houdt u de toets H 5 seconden ingedrukt om de stroom van de wijnkast uit te schakelen. Houd de toets H dan 5 seconden ingedrukt om de wijnkast in te schakelen. Wanneer het display is vergrendeld, kan de toets H niet worden gebruikt.

6. Temperatuurinstelling



Let op

Voorinstellingen

- ▶ Nadat u het apparaat hebt aangesloten op een stopcontact, laat u het minstens 30 minuten werken om te acclimatiseren voordat u eventuele aanpassingen aanbrengt.
- ▶ Wanneer het apparaat wordt ingeschakeld nadat de stekker uit het stopcontact is gehaald, kan het enkele uren duren voordat de juiste temperaturen zijn bereikt. De exacte tijd verschilt afhankelijk van de omgeving en de temperatuurinstelling.

1. Selectie temperatuurzone

In de ontgrendelde toestand staat het pictogram  volledig aan. Als de huidige weergave zich in de bovenste temperatuurzone bevindt, is het bovenste pictogram aan en het onderste pictogram uit. Druk nu op de toets ; het onderste pictogram gaat aan en het bovenste pictogram gaat uit.

2. Temperatuurinstelling

In de ontgrendelde staat, wanneer het bovenste pictogram aan is, kan de temperatuur van de bovenste zone worden aangepast.

Druk op  of  wanneer het "bovenste" lampje brandt, om de temperatuur te verhogen of te verlagen. Wanneer de gewenste temperatuur is bereikt, drukt u op de toets. Drie seconden nadat de temperatuurinstelling is voltooid, stopt het temperatuurgedeelte van het display met knipperen. Het temperatuurdisplay geeft dan de huidige temperatuur aan.

Er kunnen temperaturen worden ingesteld tussen 5 en 20 graden.

Wanneer het "onderste" pictogram aan is, kan de temperatuur in de onderste temperatuurzone worden aangepast.

Aanbevolen temperatuurinstellingen

De volgende drinktemperaturen worden aanbevolen voor de verschillende soorten wijn.

Rode wijn	+ 13°C tot +20°C (+55°F tot + 68°F)	Mousserende wijn Prosecco	+5°C tot +8°C (+41°F tot +47°F)
Witte wijn	+9°C tot +12°C (+48°F tot +54°F)		



Als u wijn voor langere tijd opslaat, moet deze worden bewaard bij een temperatuur tussen +10 °C en +12 °C (50°F en +54°F).

7. Standby-modus

Het display wordt automatisch 30 seconden gedimd.

Het licht automatisch op wanneer er een toets wordt aangeraakt of de deur wordt geopend.

8. De verlichtingsmodus instellen

Druk op de toets . Wanneer de verlichting in de kast aan is, gaan de lichten geleidelijk branden. Wanneer u nogmaals op de toets  drukt, gaan de lichten geleidelijk uit.



Let op Invloeden op de temperatuur

De temperatuur in het apparaat wordt beïnvloed door de volgende factoren:

- ▶ Omgevingstemperatuur
- ▶ Frequentie van de deuropening
- ▶ Aantal opgeslagen flessen
- ▶ De plaats van het apparaat

De standaardinstelling is 12 °C

Wanneer het display stopt met knipperen, gaat het terug naar het weergeven van de huidige temperatuur in de wijnkast. Het zal enige tijd duren om de ingestelde temperatuur te bereiken.

9. °C/°F-functie

Druk op de toets  om af te wisselen tussen Fahrenheit en Celsius.

10. Aan/uit-geheugenfunctie

Bij een stroomstoring slaat de wijnkast automatisch de ingestelde temperatuur op. Nadat de stroom terug is, werkt het apparaat op basis van de ingestelde temperatuur voor de stroomuitval.


11. Lage-temperatuurcompensatiefunctie

De wijnkast heeft een lage-temperatuurcompensatiefunctie om de stabiliteit van de temperatuur te waarborgen: Wanneer de omgevingstemperatuur lager is dan de ingestelde temperatuur, start de wijnkast automatisch de lage-temperatuurcompensatiefunctie, waardoor het apparaat wordt verwarmd. Wanneer de temperatuur in de toepassing de ingestelde temperatuur bereikt, wordt de lage-temperatuurcompensatiefunctie automatisch uitgeschakeld.

12. Alarm deur open

Als de deur meer dan 1 minuut open blijft, piept de zoemer om een alarm te geven totdat de deur gesloten is; er kan ook een willekeurige toets op het displaypaneel worden gebruikt om de zoemer te laten stoppen met piepen.

13. Vochtigheidsweergave

Houd de toets  3 seconden ingedrukt; op het display wordt de vochtigheid weergegeven. Als u op de andere toetsen drukt, stopt de weergave van de vochtigheid.

14. Wifi-modus instellen

CONNECTIVITEIT DRAADLOZE PARAMETERS

Technologie	Wifi	Bluetooth
Standaard	IEE 802.11 b/g/n	Bluetooth v4.2, BR/EDR, BLE
Frequentieband(en) [MHz]	2401÷2483	2402÷2480
Maximaal vermogen [mW] Band(en) [MHz]	100	10

PRODUCTINFORMATIE

De wifi-module inschakelen:

- Houd de lichtknop 3 seconden ingedrukt om de wifi-module te activeren
- De wifi-module is ingeschakeld en het wifi-pictogram begint te knippen
- Als de wijnkast is geregistreerd, maar de wifi uit is, knippert het pictogram
- Als de wijnkast is geregistreerd en is verbonden, is het wifi-pictogram altijd aan
- Om de wifi te resetten, houdt u het lampje 3 seconden ingedrukt

KOPPELPROCEDURE IN DE APP

Stap 1

- Download de hOn-app in de stores



Stap 2

- Inloggen of aanmelden



Stap 3

- Voeg een nieuw apparaat toe door de wijnkast te selecteren van de lijst



Stap 4

- Scan de QR-code of voer het serienummer handmatig in.



Stap 5

- Houd de lichtknop op het product 3 seconden ingedrukt om de wifi in te schakelen



Stap 6

- Het wifi-pictogram knippert, het koppelingsproces is bezig
- U heeft 5 minuten de tijd om het koppelingsproces te voltooien
- Wanneer het proces is voltooid, stopt het wifi-pictogram met knipperen en blijft het altijd branden

OPMERKING





Tips voor energiebesparing

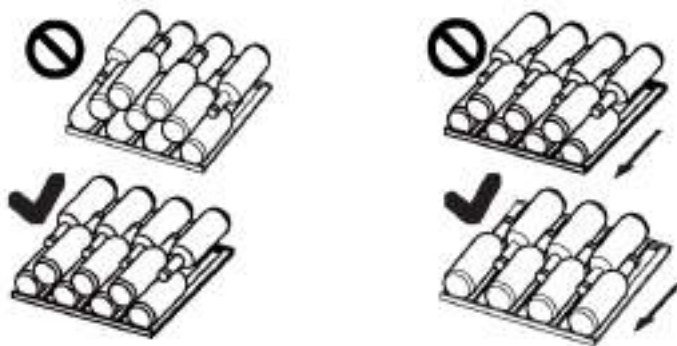
- ▶ Zorg ervoor dat het apparaat goed wordt geventileerd (zie INSTALLATIE).
- ▶ Installeer het apparaat niet in direct zonlicht of in de buurt van warmtebronnen (bv. kachels, verwarmingstoestellen).
- ▶ Vermijd onnodig lage temperaturen in het apparaat. Het energieverbruik neemt toe naarmate de temperatuur in het apparaat lager is ingesteld.
- ▶ Open de deur van het apparaat zo weinig en zo kort mogelijk.
- ▶ Overschrijd de voorgeschreven hoeveelheid flessen niet, om te voorkomen dat de luchtstroom wordt belemmerd.
- ▶ Houd de deurafdichtingen schoon zodat de deur altijd goed sluit.

1. Plank


1. De planken zijn zo ontworpen dat de wijn gemakkelijk kan worden opgeslagen en verwijderd. Ze kunnen met een zachte handdoek worden gereinigd.
2. Gewone flessen met een diameter van 76 mm kunnen worden gestapeld.
3. Magnumflessen kunnen op de onderste plank worden gestapeld.
4. De hoeveelheid kan afwijken van het afgebeelde aantal of de flessen als ze op een andere manier worden gestapeld.

Advies voor de indeling van uw wijnkast

Wij raden aan dat het aantal wijnflessen niet meer dan twee lagen per plank overschrijdt en dat het draagvermogen van de wijnschappen niet meer dan 20 kg mag bedragen. Voordat u de flessen in de wijnkast plaatst, moet u controleren of de wijnschappen volledig stabiel zijn. Bovendien moet u controleren of er geen flessen uitsteken voorbij de planken, om te voorkomen dat flessen de glazen deur raken bij het sluiten.



2. De verlichting

De led-binnenverlichting gaat branden als de deur wordt geopend. Om het licht aan te zetten terwijl de deur gesloten is, drukt u op de toets . Om de verlichting uit te schakelen, drukt u nogmaals op de toets. Om de energiezuinigheid te verhogen, moet de verlichting worden uitgeschakeld als de wijnkast niet wordt bekeken.

3. Het slot

Om de wijnkast te vergrendelen, sluit u de deur en steekt u de sleutel in het slot:

- ▶ Vergrendel de deur door de sleutel linksom te draaien;
- ▶ Ontgrendel de deur door de sleutel rechtsom te draaien.

1. Ontdooien

Het ontdooien van de wijnkast gebeurt automatisch; er is geen handmatige actie nodig.

2. De ledlamp vervangen

De lamp gebruikt een led als lichtbron, met een laag energieverbruik en een lange levensduur. Als er sprake is van een afwijking, neem dan contact op met de klantenservice. Zie KLANTENSERVICE.



WAARSCHUWING!

Vervang de ledlamp niet zelf. Deze mag alleen worden vervangen door de fabrikant of de erkende servicevertegenwoordiger.

Parameters van de ledlamp:

Spanning 12 V; max. vermogen: 8 W (voor HWS77GDAU1)

Spanning 12 V; max. vermogen: 5 W (voor HWS42GDAU1)

3. Niet gebruiken voor een langere periode

Haal de stekker van het netsnoer uit het stopcontact.

Reinig het apparaat en de deurpakkingen zoals hierboven beschreven.

Houd de deur open om de vorming van nare geuren binnenin te voorkomen.

4. Het apparaat verplaatsen

1. Verwijder alle flessen en haal de stekker van het apparaat uit het stopcontact.
2. Bevestig planken en andere beweegbare delen in de wijnkast vast met plakband.
3. Kantel de wijnkast niet meer dan 45° om schade aan het koelsysteem te voorkomen.

5. Luchtuitwisseling met actief koolfilter

De wijze waarop de wijnen verder rijpen hangt af van de omgevingsomstandigheden. De kwaliteit van de lucht is daarom bepalend voor het behoud van de wijn. In het onderste gedeelte van de achterwand van het apparaat is een actief koolstoffilter aangebracht om restanten optimaal te kunnen doorlaten.



Let op

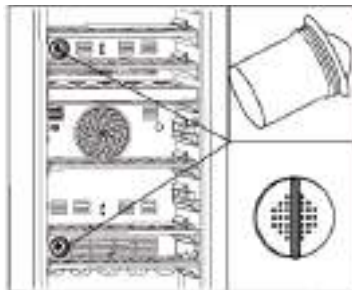
We raden u aan het filter één keer per jaar te vervangen. Filters zijn te verkrijgen bij uw dealer.

Het filter vervangen:

Pak het filter vast aan het handvat. Draai het naar links en verwijder het.

Het filter aanbrengen:

Breng het aan met de handgreep in verticale positie. Draai het naar rechts en breng het aan.



Veel problemen kunnen door uzelf worden opgelost zonder specifieke expertise. Raadpleeg in geval van een probleem alle getoonde mogelijkheden en volg de onderstaande instructies voordat u contact opneemt met een after-sales service. Zie KLANTENSERVICE.



WAARSCHUWING!

- ▶ Schakel het apparaat uit voordat u onderhoud uitvoert en haal de stekker uit het stopcontact.
- ▶ Elektrische apparatuur mag alleen worden onderhouden door gekwalificeerde elektrische experts, omdat onjuiste reparaties aanzienlijke gevolgschade kunnen veroorzaken.
- ▶ Als de voeding beschadigd is, mag deze alleen worden vervangen door de fabrikant, diens servicevertegenwoordiger of vergelijkbaar gekwalificeerde personen om gevaar te voorkomen.

Foutcode:	Oorzaak	Oplossing
rH	Het apparaat geeft een hoge-temperatuurwaarschuwing wanneer de temperatuur van het bovenste gedeelte gedurende 3 uur hoger is geweest dan 25 °C.	De omgevingstemperatuur is te hoog. De bedrijfstemperatuur van het apparaat moet tussen de 10 °C en 38 °C liggen.
rL	De compressor stopt met werken wanneer de temperatuur lager is dan 0 °C. De waarschuwing voor lage temperaturen wordt gegeven wanneer de temperatuur gedurende 2 uur lager dan 0 °C is geweest.	De omgevingstemperatuur is te laag. De bedrijfstemperatuur van het apparaat moet tussen 10 °C en 38 °C liggen.

Probleem	Mogelijke oorzaak	Mogelijke oplossing
De compressor werkt niet.	<ul style="list-style-type: none"> • De netstekker is niet aangesloten op het stopcontact. 	<ul style="list-style-type: none"> • Steek de stekker in het stopcontact.
Het apparaat loopt vaak of te lang.	<ul style="list-style-type: none"> • De buitentemperatuur is te hoog. • Het apparaat is een tijd lang niet ingeschakeld geweest. • Een deur van het apparaat is niet goed gesloten. • De deur is te vaak of te lang geopend. • De deurpakkingen zijn vuil, versleten, gebarsten of niet goed op elkaar afgestemd. • De vereiste luchtcirculatie is niet gegarandeerd. • De temperatuur is te laag ingesteld. 	<ul style="list-style-type: none"> • In dit geval is het normaal dat het apparaat langer werkt. • Normaal gesproken duurt het even voordat het apparaat volledig is afgekoeld. • Sluit de deur en zorg ervoor dat het apparaat op een vlakke ondergrond staat en dat er geen etenswaren of containers de deur blokkeren. • Open de deur niet te vaak. • Reinig de deurpakkingen of laat ze vervangen door de klantenservice. • Zorg voor voldoende ventilatie. • Het probleem lost zichzelf op wanneer de gewenste temperatuur is bereikt.
De binnenkant van de wijnkast is vuil en/of stinkt.	<ul style="list-style-type: none"> • De binnenkant van de wijnkast moet worden schoongemaakt. 	<ul style="list-style-type: none"> • Maak de binnenkant van de wijnkast schoon.
Het is niet koud genoeg in het apparaat.	<ul style="list-style-type: none"> • De temperatuur is te hoog ingesteld. • Er zijn recentelijk flessen toegevoegd. • Een deur van het apparaat is niet goed gesloten. • De deur is te vaak of te lang geopend. • De deurpakkingen zijn vuil, versleten, gebarsten of niet goed op elkaar afgestemd. 	<ul style="list-style-type: none"> • Stel de temperatuur opnieuw in. • Houd rekening met de tijd die nodig is voor de recent toegevoegde flessen om de gewenste temperatuur te bereiken. • Sluit de deur. • Open de deur niet te vaak. • Reinig de deurpakkingen of laat ze vervangen door de klantenservice.
Het is te koud in het apparaat.	<ul style="list-style-type: none"> • De temperatuur is te laag ingesteld. 	<ul style="list-style-type: none"> • Stel de temperatuur opnieuw in.
Vochtvorming aan de binnenkant van het koelgedeelte.	<ul style="list-style-type: none"> • Het klimaat is te warm en te vochtig. • Een deur van het apparaat is niet goed gesloten. • De deur is te vaak of te lang geopend. 	<ul style="list-style-type: none"> • Verhoog de temperatuur. • Sluit de deur. • Open de deur/lade niet te vaak.

Probleem	Mogelijke oorzaak	Mogelijke oplossing
Vocht hoopt zich op het buitenoppervlak van de wijkkast op.	<ul style="list-style-type: none"> • Het klimaat is te warm en te vochtig. • De deur is niet goed gesloten. De koude lucht in het apparaat en de warme lucht buiten condenseert. 	<ul style="list-style-type: none"> • Dit is normaal in een vochtig klimaat en zal veranderen wanneer de luchtvochtigheid daalt. • Controleer of de deur goed gesloten is en of de pakkingen goed afdichten.
Het apparaat maakt afwijkende geluiden	<ul style="list-style-type: none"> • Het apparaat staat niet op een vlakke ondergrond. • Het apparaat raakt voorwerpen rondom. 	<ul style="list-style-type: none"> • Stel de pootjes af om het apparaat waterpas te zetten. • Verwijder voorwerpen rondom het apparaat.
Er is een licht geluid te horen dat lijkt op dat van stromend water.	<ul style="list-style-type: none"> • Dit is normaal 	<ul style="list-style-type: none"> • -
De binnenverlichting of het koelsysteem werkt niet.	<ul style="list-style-type: none"> • De stekker is niet aangesloten op het stopcontact. • De voeding is niet intact. • Het ledlampje is buiten werking. 	<ul style="list-style-type: none"> • Steek de stekker in het stopcontact. • Controleer de elektrische voeding naar de kamer. Bel het plaatselijke elektriciteitsbedrijf. • Bel de klantenservice voor het vervangen
De zijkanten van de koeler en de deurstrip worden warm	<ul style="list-style-type: none"> • Dit is normaal. 	<ul style="list-style-type: none"> • -
De deur sluit niet goed	<ul style="list-style-type: none"> • Het apparaat staat niet waterpas. • De deur is geblokkeerd. 	<ul style="list-style-type: none"> • Stel het apparaat waterpas met de stelvoetjes. • Controleer op blokkeringen zoals flessen of planken.

Productkaart volgens de verordening EU nr. 1060/2010

Merk	Haier	Haier
Modelnaam / identificatie	HWS42GDAU1	HWS77GDAU1
Nominale flesinhoud	42	77
Categorie huishoudelijke koeling	2	2
Energie-efficiëntieklasse	A	A
Jaarlijks energieverbruik (kWh/jaar) ¹⁾	142	152
Opslagvolume (L)	106	190
Klimaatklasse: Dit apparaat is bedoeld voor gebruik bij een omgevingstemperatuur tussen 10 °C en 38 °C.	SNNST	SNNST
Geluidsemissies via de lucht (db(A) re 1pW)	37	37
Type apparaat	Vrijstaand	Vrijstaand
Dit apparaat is uitsluitend bedoeld voor het bewaren van wijn.	Ja	Ja
Afmetingen (D/B/H in mm)	585/497/820	585/497/1270

Uitleg:

1) gebaseerd op de resultaten van de standaardtest gedurende 24 uur. Het werkelijke energieverbruik is afhankelijk van de werkelijke omgeving, het aantal flessen, de ingestelde temperatuur, het openen en sluiten van de deur, enz.

2) Het nominale energieverbruik is de waarde die volgens de standaardtest wordt verkregen wanneer de binnenverlichting van de wijnkast niet wordt ingeschakeld.

11.3 Normen en richtlijnen

Dit product voldoet aan de eisen van alle toepasselijke EG-richtlijnen met de bijbehorende geharmoniseerde normen die voorzien in een CE-markering.

Wij adviseren onze Haier klantenservice en het gebruik van originele onderdelen.
Als u een probleem hebt met uw apparaat, controleer dan eerst het hoofdstuk **PROBLEMEN OPLOSSEN**.

Als u daar geen oplossing kunt vinden, neem dan contact op met

- ▶ uw plaatselijke dealer of
- ▶ het gedeelte Service & Support op www.haier.com waar u telefoonnummers en FAQs kunt vinden en waar u de serviceclaim kunt activeren.

Om contact op te nemen met onze klantenservice, moet u ervoor zorgen dat u over de volgende gegevens beschikt.

De informatie is te vinden op het typeplaatje.

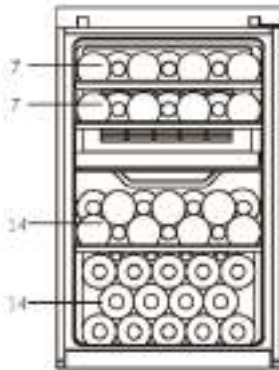
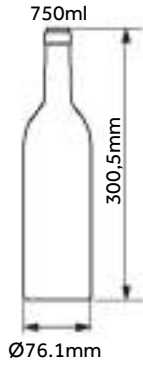
Model _____ Serienummer. _____

Controleer ook de garantiekaart die bij het product geleverd wordt in geval van garantie.

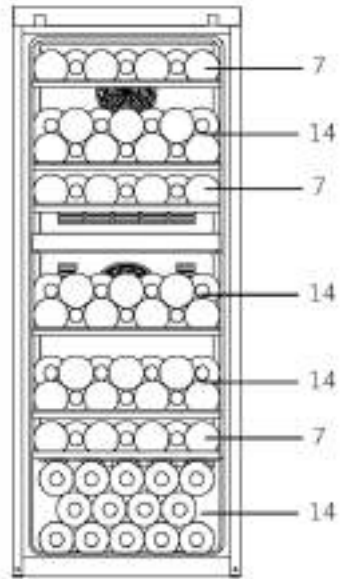
Voor algemene zakelijke vragen vindt u hieronder onze adressen in Europa:

Europese Haier-adressen

Land*	Postadres	Land	Postadres
Italië	Haier Europe Trading SRL Via de Cristoforis, 12 21100 Verese ITALY	Frankrijk	Haier France SAS 3-5 rue des Graviers 92200 Neuilly sur Seine FRANCE
Spanje Portugal	Haier Iberia SL Pg. Garcia Faria, 49-51 08019 Barcelona SPAIN	België-FR België-NL Nederland Luxemburg	Haier Benelux SA Anderlecht Route de Lennik 451 BELGIUM
Duitsland Oostenrijk	Haier Deutschland GmbH Hewlett-Packard-Str. 4 D-61352 Bad Homburg GERMANY	Polen Tsjechië Hongarije Griekenland Roemenië Rusland	Haier Poland Sp. zo.o. Al. Jerozolimskie 181B 02-222 Warszawa POLAND
Verenigd Koninkrijk	Haier Appliances UK Co. Ltd. One Crown Square Church Street East Woking, Surrey, GU21 6HR UK		




HWS42GDAU1
(42)



HWS77GDAU1
(77)

HWS-42GDAU1-77GDAU1-EN

Haier



Návod na použitie

Vinotéka

HWS77GDAU1

HWS42GDAU1

SK

Haier

Ďakujeme za zakúpenie produktu Haier.

Pred použitím tohto zariadenia si pozorne prečítajte tieto pokyny. Pokyny obsahujú dôležité informácie, ktoré vám pomôžu vyťažiť zo zariadenia maximum a zaistiť bezpečnú a správnu inštaláciu, používanie a údržbu.

Túto príručku uschovajte na vhodnom mieste, aby ste sa na ňu mohli kedykoľvek obrátiť a prečítať si bezpečné a správne používanie prístroja.

Ak zariadenie predávate, darujete alebo ho nechávate v domácnosti po odšťahovaní, nezabudnite s ním novému vlastníkovi odovzdať aj túto príručku, aby sa mohol oboznámiť so zariadením a bezpečnostnými upozorneniami.



Vysvetlivky

Varovanie – Dôležit é bezpečnostn é informácie



Všeobecné informácie a tipy



Informácie o životnom prostredí



Likvidácia

Pomáhajte chrániť životné prostredie a zdravie ľudí. Balenie vložte do vhodných nádob a recyklujte ho. Pomáhajte recyklovať odpad z elektrických a elektronických prístrojov. Zariadenia označené týmto symbolom nelikvidujte s domácim odpadom. Výrobok odneste do miestneho recyklačného zariadenia alebo kontaktujte mestský úrad.



VAROVANIE!

Nebezpečenstvo poranenia alebo zadusenia!

Chladivá a plyny musia byť zlikvidované profesionálne. Pred správnu likvidáciu sa uistite, že nie je poškodená hadica okruhu chladiva. Zariadenie odpojte od elektrickej siete. Odrežte a zlikvidujte napájací kábel. Vyberte podnosy a zásuvky, ako aj západku a tesnenie dverí, aby ste zabránili zatvoreniu detí a domácich miláčikov vo vnútri zariadenia.

Staré zariadenia majú stále určitú zostatkovú hodnotu. Ekologický spôsob likvidácie zabezpečí opätovné zhodnotenie cenných surovín a ich opätovné použitie.

Ako expandér izolačnej peny sa používa cyklopentán. Je to horľavá látka, ktorá nie je škodlivá pre ozón.

Zabezpečením správnej likvidácie tohto výrobku pomôžete zabrániť možným negatívnym vplyvom na životné prostredie a ľudské zdravie, ku ktorým by v opačnom prípade mohlo dôjsť.

Podrobnejšie informácie o recyklácii tohto výrobku získate na príslušnom miestnom úrade, v zberných surovinách alebo v predajni, kde ste si výrobok zakúpili.

1- Bezpečnostné informácie.....	4
2- Bezpečnostné rady.....	6
3- Údržba	11
4- Príslušenstvo.....	13
5- Popis produktu	14
6- Inštalácia	15
7- Použitie.....	18
8- Tipy týkajúce sa úspory energie	23
9- Vybavenie	24
10- Starostlivosť a čistenie	25
11- Riešenie problémov.....	26
12- Technické údaje	29
13- Zákaznícky servis	30
14- Nakladanie vínnych fliaš.....	31

Toto zariadenie je určené na použitie výhradne na uskladnenie vína. Pred prvým zapnutím zariadenia si prečítajte nasledujúce bezpečnostné pokyny:



VAROVANIE!

Pred prvým použitím

- ▶ Uistite sa, že nedošlo k poškodeniu pri preprave.
- ▶ Odstráňte všetky obaly a odložte ich mimo dosahu detí. Zneškodnite ich ekologicky.
- ▶ Pred inštaláciou zariadenia počkajte najmenej dve hodiny, aby sa zabezpečila plná účinnosť chladiaceho okruhu.
- ▶ Zariadenie musia prenášať minimálne dve osoby, pretože je ťažké.

Inštalácia

- ▶ Zariadenie musí byť umiestnené na dobre vetranom mieste. Nad a v okolí zariadenia musíte zabezpečiť minimálne 10 cm priestor.
- ▶ **VAROVANIE:** Dávajte pozor, aby nedošlo k blokovaniu vetracieho otvoru v kryte zariadenia alebo v zabudovanej konštrukcii.
- ▶ Zariadenie nikdy neumiestňujte na vlhké miesto alebo na miesto, ktoré by mohlo byť postriekané vodou. Postriekania vodou a škvrny vyčistite a osušte pomocou mäkkej čistej handričky.
- ▶ Vinotéku neinštalujte na miesta, ktoré nie sú riadne izolované alebo vykurované, ako je napríklad garáž atď. Vaša vinotéka nebola navrhnutá na prevádzku pri okolitej teplote 10 °C.
- ▶ Zariadenie neinštalujte na priame slnečné svetlo ani do blízkosti zdrojov tepla (napr. kachle, ohrievače).
- ▶ Zariadenie nainštalujte a vyrovnajte na mieste, ktoré je vhodné svojou veľkosťou a využitím.
- ▶ Uistite sa, že elektrické informácie na typovom štítku súhlasia s napájaním. Ak to tak nie je, kontaktujte elektrikára.
- ▶ Zariadenie je v prevádzke pri 220 – 240 VAC/50 Hz napájaní. Abnormálne kolísanie napätia môže spôsobiť, že sa prístroj nespustí, poškodí sa regulátor teploty alebo kompresor alebo sa môže pri prevádzke vyskytnúť neobvyklý hluk. V takom prípade musíte namontovať automatický regulátor.
- ▶ Nepoužívajte adaptéry s viacerými zásuvkami a predlžovacie káble.

**VAROVANIE!**

- ▶ **VAROVANIE:** Na zadnú stranu spotrebiča neumiestňujte viacnásobné prenosné zásuvky ani prenosné napájacie káble.
- ▶ **VAROVANIE:** Pri umiestnení spotrebiča zabezpečte, aby sa napájací kábel nezachytil ani nepoškodil.
- ▶ Na napájací kábel nestúpajte.
- ▶ Pre ľahký prístup k napájaniu použite samostatnú uzemnenú zásuvku. Zariadenie musí byť uzemnené.
- ▶ **Len pre Veľkú Britániu:** Napájací kábel zariadenia je vybavený 3-káblou (uzemňovacou) zástrčkou, ktorá sa hodí do štandardnej 3-káblovej (uzemnenej) zásuvky. Tretí kolík (uzemnenie) nikdy neodrezávajte ani neodstraňujte. Po inštalácii zariadenia musí byť zástrčka prístupná.
- ▶ **VAROVANIE:** Nepoškodte chladiaci okruh.

Každodenné použitie

- ▶ Deti staršie ako 8 rokov a osoby s obmedzenými fyzickými, zmyslovými alebo duševnými schopnosťami alebo nedostatkom skúseností či vedomostí môžu tento prístroj používať pod dohľadom, resp. po poučení a oboznámení sa s bezpečným spôsobom používania a porozumení možným nebezpečenstvám.
- ▶ Deti sa so spotrebičom nesmú hrať.
- ▶ Deti vo veku od 3 do 8 rokov môžu do chladiacich spotrebičov nakladať a vykladať, nesmú ich však čistiť ani inštalovať.
- ▶ Uchovávajte mimo dosahu detí do 3 rokov, pokiaľ nie sú pod neustálym dohľadom.
- ▶ Čistenie a údržbu nesmú vykonávať deti bez dozoru.
- ▶ Zariadenie musí byť umiestnené tak, aby bola zástrčka prístupná.
- ▶ Ak do blízkosti zariadenia uniká uhoľný plyn alebo iný horľavý plyn, vypnite ventil unikajúceho plynu, otvorte dvere a okná a neodpájajte napájací kábel zariadenia.
- ▶ Po odpojení napájania počkajte najmenej 7 minút, kým ho znova pripojíte.
- ▶ Zariadenie nezdvíhajte za rukoväť jeho dverí.
- ▶ Kľúče musíte uchovávať mimo dosahu detí a nie v blízkosti zariadenia, aby sa zabránilo uzamknutiu detí vo vnútri zariadenia.



VAROVANIE!

- ▶ Upozorňujeme, že zariadenie je nastavené na prevádzku v špecifickom rozmedzí teplôt medzi 10 a 38 °C. Zariadenie nemusí pracovať správne, ak ho necháte dlhšiu dobu pri teplote, ktorá je vyššia alebo nižšia než uvedený rozsah.
- ▶ Na zariadenie neumiestňujte nestabilné predmety (ťažké predmety, nádoby naplnené vodou), aby nedošlo k zraneniu osôb pádom alebo úrazu elektrickým prúdom po kontakte s vodou.
- ▶ Dvere otvárajte a zatvárajte iba pomocou rukoväti. Medzera medzi dverami a skrinkou je veľmi úzka. Do týchto priestorov nedávajte ruky, aby nedošlo k pricviknutiu prstov. Dvere spotrebiča otvárajte alebo zatvárajte iba vtedy, ak v rozsahu pohybu dverí nestoja žiadne deti.
- ▶ V zariadení ani v jeho blízkosti neskladujte a nepoužívajte horľavé, výbušné alebo korozívne materiály.
- ▶ V tomto spotrebiči neskladujte výbušné látky ako sú plechovky s aerosólmi, ktoré podporujú horenie.
- ▶ V zariadení neskladujte lieky, baktérie ani chemické látky. Toto zariadenie je spotrebič pre domácnosť. Neodporúča sa skladovať materiály, ktoré vyžadujú presné teploty.
- ▶ V priehradke na víno nenastavujte zbytočne nízku teplotu. Pri vysokých nastaveniach sa môžu vyskytnúť mínusové teploty. Pozor: Fľaše môže roztrhnúť.
- ▶ Počas prevádzky sa nedotýkajte vnútorného povrchu priestoru zariadenia, najmä nie mokrými rukami, pretože by vám mohli ruky primrznúť k povrchu.
- ▶ Pre správne ochladenie vína zariadenie nepreťažujte.
- ▶ V prípade prerušenia napájania alebo pred čistením odpojte zariadenie zo zásuvky. Pred opätovným zapnutím zariadenia počkajte najmenej 7 minút, pretože časté štartovanie môže poškodiť kompresor.
- ▶ **VAROVANIE:** Vo vnútri zariadenia nepoužívajte elektrické spotrebiče, pokiaľ ich používanie neschválil výrobca. Poškodený napájací kábel musí byť vymenený zákazníckym servisom, aby sa zabránilo nebezpečenstvu (pozrite záručný list).
- ▶ Ak chcete predĺžiť životnosť zariadenia, nevypínajte ho.
- ▶ Zariadenie nikdy neumiestňujte vodorovne na zem. Po naklonení zariadenia o viac ako 45° počkajte pred jeho pripojením 24 hodín.

**VAROVANIE!****Údržba/čistenie**

- ▶ Keď čistenie a údržbu vykonávajú deti, nenechávajte ich bez dozoru.
- ▶ Pred vykonaním akejkoľvek bežnej údržby odpojte zariadenie od elektrickej siete. Pred opätovným zapnutím zariadenia počkajte najmenej 7 minút, pretože časté štartovanie môže poškodiť kompresor.
- ▶ Pri odpájaní zariadenia chytte zástrčku, nie kábel.
- ▶ Zariadenie nečistite tvrdými kefami, drôtenými kefami, čistiacim práškom, benzínom, amylacetátom, acetómom a podobnými organickými roztokmi, kyselinami ani zásadami. Čistite pomocou špeciálneho čistiaceho prostriedku na chladničky/mrazničky, aby ste zabránili poškodeniu. Prípadne použite teplú vodu a roztok sódy bikarbóny – približne lyžicu sódy bikarbóny na liter vody. Dôkladne opláchnite vodou a utrite dosucha. Nepoužívajte čistiace prášky ani iné abrazívne čistiace prostriedky. Odnímateľné časti neumývajte v umývačke riadu.
- ▶ **VAROVANIE:** Na urýchlenie odmrazovania nepoužívajte mechanické zariadenia ani iné prostriedky s výnimkou tých, ktoré odporúča výrobca.
- ▶ Ak je poškodený vonkajší napájací kábel, v záujme eliminácie akéhokoľvek rizika ho musí vymeniť výrobca, jeho servisný zástupca alebo rovnako kvalifikovaná osoba.
- ▶ Zariadenie sa nepokúšajte sami opravovať, rozoberať alebo upravovať. V prípade opravy kontaktujte náš zákaznícky servis.
- ▶ Ak sú poškodené žiarovky, v záujme eliminácie akéhokoľvek rizika ich musí vymeniť výrobca, jeho servisný zástupca alebo rovnako kvalifikovaná osoba.
- ▶ Aspoň raz za rok odstráňte prach zo zadnej strany jednotky, aby ste predišli nebezpečenstvu požiaru a zvýšenej spotrebe energie.

- ▶ Počas čistenia na zariadenie nestriekajte ani ho nepreplachujte.
- ▶ Na čistenie zariadenia nepoužívajte rozprašovanú vodu ani paru.
- ▶ Chladné sklenené dvere nečistite horúcou vodou. Náhla zmena teploty môže spôsobiť rozbitie skla.
- ▶ Ak zariadenie nebudete dlhšiu dobu používať, nechajte ho otvorené, aby sa vo vnútri nehromadil zápach a nepríjemné pachy.

Informácie o plyne chladiva



VAROVANIE!

Zariadenie obsahuje horľavé chladivo IZOBUTÁN (R600a). Uistite sa, že sa počas prepravy alebo inštalácie nepoškodil chladiaci okruh. Unikajúce chladivo môže spôsobiť poranenie očí alebo vznietenie. Ak došlo k poškodeniu, udržiajte zdroje otvoreného ohňa mimo, dôkladne vyvetrajte miestnosť a **nepripájajte ani neodpájajte** napájacie káble zariadenia alebo akéhokoľvek iného zariadenia. Informujte zákaznícky servis.

V prípade kontaktu očí s chladivom, okamžite vypláchnite oči pod tečúcou vodou a okamžite kontaktujte očného lekára.

VAROVANIE: Chladiaci systém je pod vysokým tlakom. Nemanipulujte s ním. Pretože sa používajú horľavé chladivá, zariadenie inštalujte, manipulujte s ním a opravujte výhradne podľa pokynov a ohľadom likvidácie zariadenia sa obráťte na profesionálneho zástupcu alebo náš popredajný servis.

Určené použitie


Tento spotrebič je určený na používanie v domácnostiach a podobných aplikáciách, ako

- kuchynské priestory pre personál v obchodoch, úradoch a iných pracovných prostrediach,
 - farmy a pre zákazníkov v hoteloch, motelloch a ďalších prostrediach rezidenčného typu,
 - prostredie typu prenocovania s raňajkami,
 - catering a podobné iné ako maloobchodné aplikácie.
- Pre zaistenie bezpečného uchovávanía vína dodržujte tento návod na použitie.
- Podrobnosti o najvhodnejšej časti v priehradke spotrebiča, kde sa majú skladovať určité druhy potravín, s ohľadom na rozloženie teploty, ktorá môže byť prítomná v rôznych priehradkách spotrebiča, sú uvedené v druhej časti príručky.

Zmeny alebo úpravy zariadenia nie sú povolené. Neúmyselné použitie môže spôsobiť nebezpečenstvo a stratu nárokov na záruku.

Likvidácia



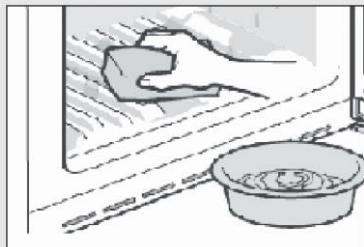
Symbol  na výrobku alebo jeho balení označuje, že sa s ním nesmie zaobchádzať ako s komunálnym odpadom. Namiesto toho je potrebné systém odovzdať na príslušnom zbernom mieste na recykláciu elektrických a elektronických zariadení. Zabezpečením správnej likvidácie tohto výrobku pomôžete zabrániť možným negatívnym vplyvom na životné prostredie a ľudské zdravie, ktoré by inak mohli byť spôsobené nevhodným nakladaním s týmto výrobkom pri likvidácii. Podrobnejšie informácie o recyklácii tohto výrobku získate na príslušnom miestnom úrade, v zberných surovinách alebo v predajni, kde ste si výrobok zakúpili. Pretože sa používajú horľavé plyny, zariadenie dajte zlikvidovať profesionálnemu zástupcovi alebo v našom popredajnom servise.

VAROVANIE!

Nebezpečenstvo poranenia zadusením!

Chladivá a plyny musia byť zlikvidované profesionálne. Pred správnu likvidáciou sa uistite, že nie je poškodená hadica okruhu chladiva. Zariadenie odpojte od elektrickej siete. Odrežte a zlikvidujte napájací kábel. Vyberte podnosy a zásuvky, ako aj západku a tesnenie dverí, aby ste zabránili zatvoreniu detí a domácich miláčikov vo vnútri zariadenia.

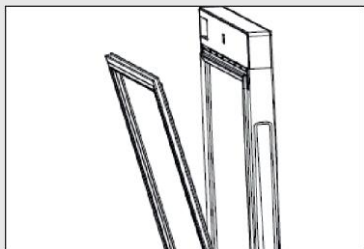
- ▶ **VAROVANIE:** Zariadenie pred čistením odpojte z elektrickej siete.
- ▶ Zariadenie nečistite tvrdými kefami, drôtenými kefami, čistiacim práškom, benzínom, amylacetátom, acetónom a podobnými organickými roztokmi, kyselinami ani zásadami. Čistite pomocou špeciálneho čistiaceho prostriedku na chladničky, aby ste zabránili poškodeniu.
- ▶ Zariadenie čistite, keď je v ňom uskladnené len malé množstvo alebo žiadne víno. Čistiť ho je potrebné iba keď je znečistené.
- ▶ Vnútro a skrinku spotrebiča čistite pomocou špongie navlhčenej v teplej vode a neutrálnom čistiacom prostriedku
- ▶ Opláchnite čistou teplou vodou a osušte mäkkou handričkou.
- ▶ Žiadne časti zariadenia nečistite v umývačke riadu.
- ▶ Pred opätovným zapnutím zariadenia počkajte najmenej 7 minút, pretože časté štartovanie môže poškodiť kompresor.



Čistenie tesnenia dverí:

- ▶ Tesnenia dverí musíte čistiť každé 3 mesiace, aby sa zabezpečilo ich správne utesnenie. Ako je uvedené nižšie: Odstráňte: Uchopte tesnenie dverí a vytiahnite ho v smere šípky, aby ste postupne vybrali celé tesnenie dverí.

Kefu namočte do vody alebo do liehu. Najskôr vyčistite drážku tesnenia dverí potahovaním kefy tam a späť. Potom utrite povrch tesnenia dverí utierkou namočenou vo vode alebo liehu. Nakoniec umyte tesnenie dverí a utrite ho dosucha čistou utierkou.



Inštalácia tesnenia dverí po vyčistení:

Pred inštaláciou sa uistite, či na tesnení dverí nie je voda. Vložte tesnenie dverí do drážky a rukou pevne utláčajte tesnenie dverí zhora nadol, až kým celé tesnenie dverí nezasuniete do drážky.

Čistenie poličiek:

- ▶ Všetky poličky sa dajú vybrať a vyčistiť.
- ▶ Vyberte všetky fľaše.
- ▶ Každú poličku trochu nadvihnite a vyberte.
- ▶ Poličku vyčistite mäkkou handričkou.
- ▶ Pred opätovným vložením počkajte, kým poličky neuschnú.

VAROVANIE:

Po odpojení napájania počkajte najmenej 7 minút, kým ho znova pripojíte.

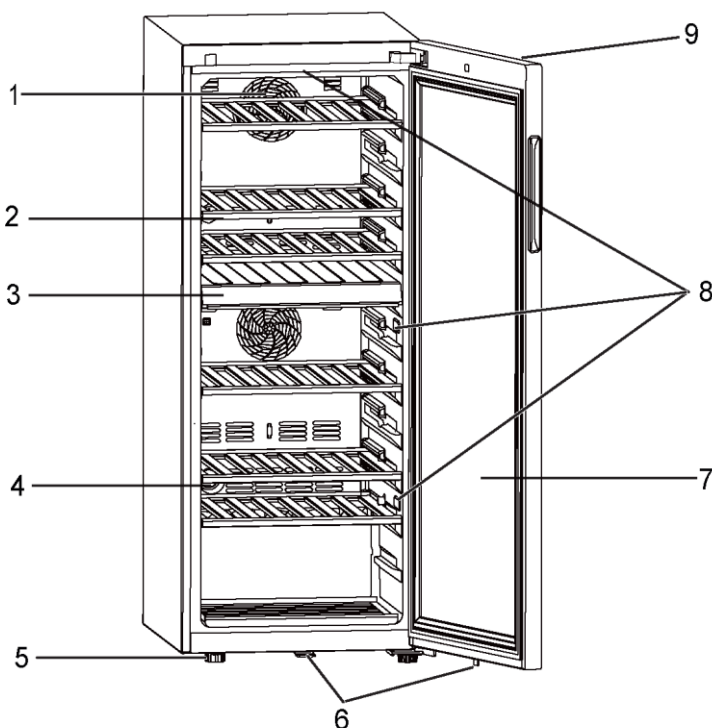
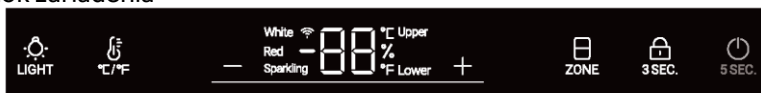
Skontrolujte príslušenstvo a literatúru v súlade s týmto zoznamom: bez izolácie.

Názov	Návod na použitie	Servisná karta	Polička	Malá polička	Kryt závesu	Energetický štítok	Kľúč	Ľavá vačka dverí
HWS77GDAU1	1	1	6	1	1	1	2	2
HWS42GDAU1	1	1	3	1	1	1	2	2

Upozornenie

Z dôvodu technických zmien a rôznych modelov sa môžu niektoré ilustrácie v tejto príručke líšiť od vášho modelu.

Obrázok zariadenia



- | | |
|----------------------------|--------------------------------------|
| 1. Ventilátor | 6. Zámok |
| 2. Polička | 7. Dvere |
| 3. Stredová priečka | 8. LED žiarovka |
| 4. Filter s aktívnym uhlím | 9. Displej (na prednej strane dverí) |
| 5. Nastaviteľné nožičky | |

1. Rozbalenie

- Vyberte zariadenie z obalu.
- Odstráňte všetok obalový materiál vrátane penovej základne a všetkej lepiacej pásky, ktorá drží príslušenstvo.

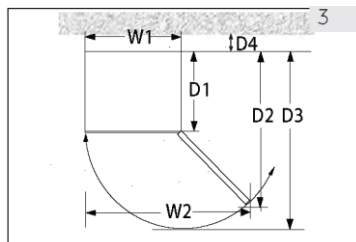
2. Podmienky okolitého prostredia

Teplota v miestnosti musí byť vždy medzi 10 °C a 38 °C, pretože môže mať vplyv na teplotu vo vnútri zariadenia a na jeho spotrebu energie. Zariadenie neinštalujte v blízkosti iných spotrebičov vyžarujúcich teplo (rúry, chladničky) bez izolácie.

3. Požiadavky na priestor

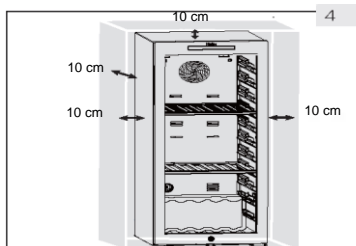
Potrebný priestor na otvorenie dverí (obr. 3):

Šírka v mm		Hĺbka v mm			Vzdialenosť od steny v mm
W1	W2	D1	D2	D3	D4
495	630	535	1033	1047	100



4. Priestor na vetranie

Z bezpečnostných a energetických dôvodov je potrebné dodržať požadovanú ventilačnú vzdialenosť 10 cm vo všetkých smeroch (obr. 4).



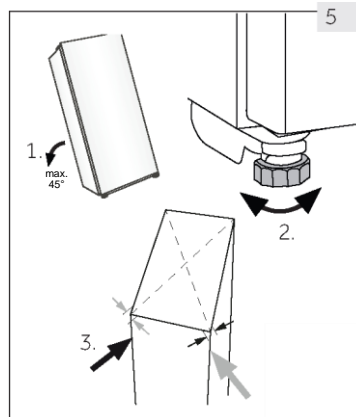
VAROVANIE!

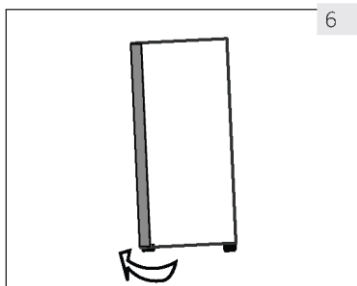
- Vetracie otvory v zariadení alebo v zabudovanej konštrukcii udržiavajte bez prekážok.

5. Vyrovnanie zariadenia

Zariadenie musí byť umiestnené na rovnom a pevnom povrchu.

1. Zariadenie nakloňte mierne dozadu (obr. 5).
2. Nastaviteľné predné nožičky otáčaním nastavte na požadovanú úroveň.
3. Stabilitu môžete skontrolovať striedavým udiaraním po uhlopriečkach. Mierne hojdanie by malo byť rovnaké v oboch smeroch. V opačnom prípade môže dôjsť k zdeformovaniu rámu; výsledkom je aj možné nedostatočné tesnenie dverí. Mierna tendencia naklonenia dozadu uľahčuje zatváranie dverí.





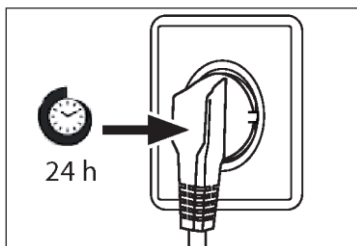
6

6. Jemné doladenie dverí

Zariadenie sa ľahšie zatvára, ak použijete vyrovnávacie nožičky vpredu:

Nastaviteľné nožičky (obr. 6) otáčaním nastavte nahor alebo nadol:

- ▶ Otáčaním nožičiek v smere hodinových ručičiek sa zariadenie zdvihne.
- ▶ Otáčaním nožičiek proti smeru hodinových ručičiek sa zariadenie zníži.



7. Čas čakania

Bezúdržbový mazací olej sa nachádza v kapsule kompresora. Tento olej sa môže počas prepravy dostať do uzatvoreného systému rúrok, ak je zariadenie naklonené. Pred pripojením spotrebiča ku zdroju napájania počkajte 24 hodín (obr. 7), aby olej natiekol späť do kapsuly.

8. Elektrické pripojenie

Pred každým pripojením skontrolujte, či:

- ▶ napájanie, zásuvka a istenie zodpovedajú typovému štítku.
- ▶ je sieťová zásuvka uzemnená a nie je pripojený žiadny adaptér s viacerými zásuvkami ani predlžovací kábel.
- ▶ sú zástrčka a zásuvka správne zapojené.

Zástrčku pripojte k správne nainštalovanej domácej zásuvke.



VAROVANIE!

Poškodený napájací kábel musí byť vymenený zákazníckym servisom, aby sa zabránilo nebezpečenstvu (pozrite záručný list).

9. Reverzibilita dverí

Pred pripojením spotrebiča ku zdroju napájania musíte skontrolovať, či nemusíte otočenie dverí zmeniť sprava (pri dodaní) doľava, ak to vyžaduje miesto inštalácie a použiteľnosť

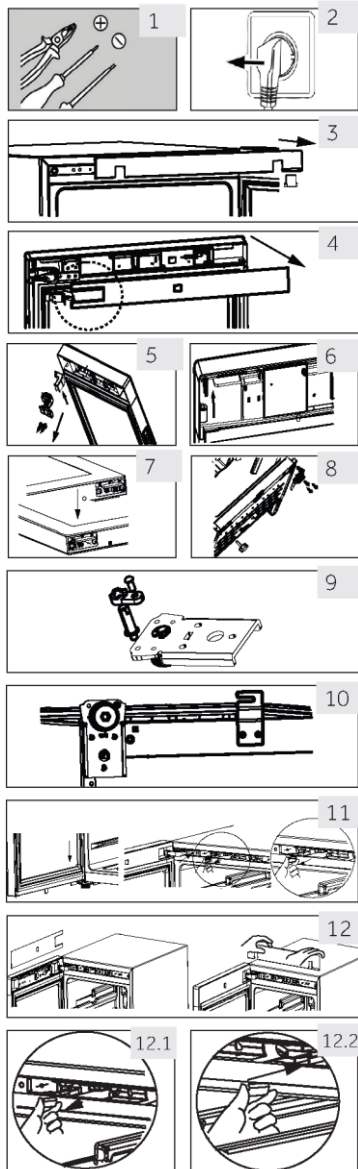


VAROVANIE!

- ▶ Zariadenie je ťažké. Otočenie dverí musia vykonávať dve osoby.
- ▶ Pred akoukoľvek činnosťou najskôr odpojte spotrebič od elektrickej siete.
- ▶ Zariadenie nenakláňajte o viac ako 45°, aby ste predišli poškodeniu chladiaceho systému.

Montážne kroky

1. Zabezpečte si potrebné náradie.
2. Odpojte zariadenie.
3. Otvorte dvere, zložte prednú lištu, nájdite zodpovedajúcu lištu na odstránenie ľavej strany a umiestnite ju na pravú stranu medzery.
4. Odpojte pripojovací kábel. Vytiahnite hornú časť tesnenia dverí a dajte dole zadnú lištu dverí. (Vyberte z ľavého bočného otvoru)
5. Odskrutkujte 2 skrutky na hornom závese.
6. Odstráňte kryt a záves, odstráňte kryt osi, potom ho namontujte na druhú stranu a potom namontujte záves na os.
7. Vyberte vačku a držiak dverí a presuňte ho na druhú stranu dverí. Nainštalujte novú vačku z darčekovej tašky.
8. Pri naklonenej skrinke (o menej ako 45°) vyberte spodný záves (3 skrutky).
9. Odstráňte vačku dolného závesu a hriadeľ závesu. Namontujte hriadeľ na pravú stranu spodného závesu. Vyberte vačku z tašky s pokynmi a nainštalujte ju na hriadeľ spodného závesu.
10. Namontujte spodný záves a dolnú nožičku na druhú stranu skrinky. Namažte vačku.
11. Namontujte dvere na hriadeľ spodného závesu a horný záves pripevnite dvomi skrutkami ku skrinke. Signálne vodiče pripevnite do stredy drážky horného závesu, vyberte kryt závesu z tašky s pokynmi a pripevnite ho k hornému závesu.
12. Na dvere namontujte tesnenie dverí a lištu dverí. Vložte pár signálnych vodičov dverí, posuňte magnetický spínač (12.1) do pravého montážneho otvoru (12.2) skrinky horného nosníka a pripevnite predný rám skrinky.
13. Uistite sa, že sa dvere správne otvárajú a zatvárajú.



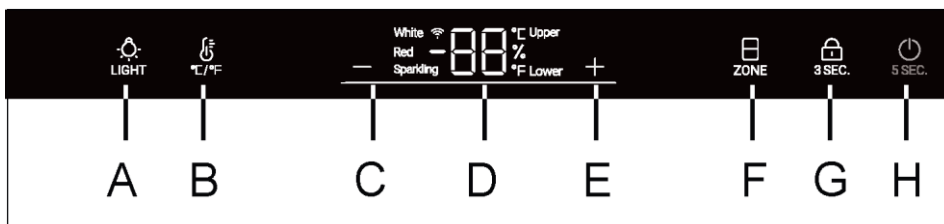
1. Pred prvým použitím

- ▶ Odstráňte všetok obalový materiál. Patrí sem penová základňa a všetka lepiaca páska, ktorá drží príslušenstvo vinotéky zvnútra aj zvonku. Obaly odložte ich mimo dosahu detí a zneškodnite ich ekologicky.
- ▶ Pred vložením vína spotrebič umyte vodou a jemným čistiacim prostriedkom zvnútra aj zvonka.
- ▶ Po vyrovnaní a vyčistení spotrebiča počkajte pred pripojením k elektrickej sieti minimálne 2 hodiny. Ak bola vaša vinotéka z nejakého dôvodu naklonená, počkajte 24 hodín a až potom ju zapojte. Pozrite si časť INŠTALÁCIA.
- ▶ Po pripojení jednotky k elektrickej zásuvke ju pred vykonaním akýchkoľvek nastavení nechajte aspoň 30 minút bežať, aby sa aklimatizovala.
- ▶ Teplota sa automaticky nastaví na 12 °C. Ak je to potrebné, môžete teplotu zmeniť manuálne. Pozrite si časť TEPLOTA.

2. Dotykové tlačidlá



Tlačidlá na ovládacom paneli sú dotykové tlačidlá, ktoré reagujú pri ľahkom dotyku prstom.

3. Popis ovládacieho panela



- | | |
|--|-------------------------------------|
| A Tlačidlo vnútorného osvetlenia/Wi-Fi | E Tlačidlo nastavenia teploty: hore |
| B Tlačidlo zmeny °C/°F | F Výber teplotnej zóny |
| C Tlačidlo nastavenia teploty: dole | G Tlačidlo uzamknutia |
| D Displej | H Vypínač |

4. Funkcia automatického uzamknutia

Ovládací panel sa automaticky uzamkne po stlačení ktoréhokoľvek tlačidla po 30 sekundách od aktivácie, svieti  3 SEC. Ak chcete aktivovať uzamknutie tlačidiel, na 3 sekundy stlačte tlačidlo  3 SEC. Po uzamknutí sa podsvietené LED diódy stlmia. Tlačidlo A nie je uzamknuté.

5. Funkcia vypínača

Keď displej nie je uzamknutý, stlačte na 5 sekúnd tlačidlo H a vypne sa napájanie vinotéky. Po stlačení tlačidla H na 5 sekúnd sa napájanie vinotéky zapne. Keď je displej uzamknutý, tlačidlo H sa nedá ovládať.

6. Nastavenie teploty



Upozornenie

Prednastavenia

- ▶ Po pripojení jednotky k elektrickej zásuvke ju pred vykonaním akýchkoľvek nastavení nechajte aspoň 30 minút tak, aby sa aklimatizovala.
- ▶ Keď sa zariadenie zapne po odpojení od hlavného napájania, môže trvať niekoľko hodín, kým sa dosiahne správna teplota. Presný čas sa líši v závislosti od prostredia a nastavenia teploty.

1. Výber teplotnej zóny

V neuzamknutom stave je zapnutá celá ikona „“. Ak je aktuálny displej v hornej teplotnej zóne, horná ikona je zapnutá a dolná ikona je vypnutá. V tomto okamihu stlačte tlačidlo „“, dolná ikona sa zapne a horná ikona sa vypne.

2. Nastavenie teploty

V neuzamknutom stave, keď je zapnutá „horná“ ikona, je možné nastaviť teplotu hornej teplotnej zóny:

Stlačením **+** alebo **-**, keď svieti „horná“ kontrolka, zvyšujete alebo znižujete teplotu. Po dosiahnutí požadovanej teploty stlačte tlačidlo. Po tom je nastavenie teploty dokončené a o 3 sekundy neskôr prestane blikať oblasť zobrazenia teploty. Následne sa v zobrazení teploty zobrazí aktuálna teplota.

Teplotný rozsah je 5 až 20 stupňov.

Keď je zapnutá „dolná“ ikona, môžete nastaviť teplotu v dolnej teplotnej zóne.

Odporúčané nastavenia teploty

Pre rôzne druhy vína sa odporúčajú nasledujúce teploty.

Červené víno	+ 13 °C až +20 °C (+55 °F až + 68 °C)	Šumivé víno Prosecco	+5°C až +8°C (+41 °F až +47 °F)
Biele víno	+9°C až +12°C (+48°F až +54°F)		

Ak víno skladujete dlhší čas, mali by ste ho skladovať pri teplote od +10 °C do +12 °C (50 °F až + 54 °F).

7. Pohotovostný režim

Obrazovka displeja sa po 30 sekundách automaticky stlmí.

Rozsvieti sa automaticky po stlačení akéhokoľvek tlačidla alebo otvorení dverí.

8. Nastavenie režimu osvetlenia

Stlačte tlačidlo . Keď sú svetlá v skrinke zapnuté, postupne sa rozsvietia. Po

opätovnom stlačení tlačidla  sa postupne vypnú.



Upozornenie Vplyvy na teploty

Teplota vo vnútri spotrebiča je ovplyvnená nasledujúcimi faktormi:

- ▶ Teplota okolitého prostredia
- ▶ Množstvo skladovaných fliaš
- ▶ Frekvencia otvárania dverí
- ▶ Umiestnenie spotrebiča

Východiskové nastavenie je 12 °C

Keď displej prestane blikať, vráti sa späť k zobrazovaniu aktuálnej teploty vo vinotéke. Dosiachnutie nastavenej teploty bude nejaký čas trvať.

9. Funkcia °C/°F

Stlačením tlačidla  prepínate medzi stupňami Fahrenheita a Celzia.

10. Funkcia pamäte po vypnutí

Ak dôjde k výpadku prúdu, vinotéka automaticky uloží nastavenú teplotu. Po obnovení napájania bude pracovať na základe teploty nastavenej pred výpadkom napájania.

11. Funkcia kompenzácie nízkej teploty

Vinotéka má funkciu kompenzácie nízkej teploty, ktorá zaisťuje stabilitu teploty: Keď je okolitá teplota nižšia ako nastavená teplota, vinotéka automaticky spustí funkciu kompenzácie nízkej teploty a zohreje zariadenie. Keď teplota v zariadení dosiahne nastavenú teplotu, funkcia kompenzácie nízkej teploty sa automaticky vypne.

12. Alarm otvorenia dverí

Ak necháte dvere otvorené dlhšie ako 1 minútu, začne pípať bzučiak a bude zapnutý dovtedy, kým dvere nezatvoríte alebo nestlačíte ktorokoľvek tlačidlo na paneli displeja. Následne bzučiak prestane pípať.

13. Zobrazenie vlhkosti

Na 3 sekundy stlačte tlačidlo  a na displeji sa zobrazí vlhkosť. Následne stlačte iné tlačidlá a vlhkosť z displeja zmizne.

14. Nastavenie režimu Wi-Fi

PRIPOJITEĽNOSŤ BEZDRÔTOVÉ PARAMETRE

Technológia	Wi-Fi	Bluetooth
Štandard	IEEE 802.11 b/g/n	Bluetooth v4.2, BR/EDR, BLE
Frekvenčné pásmo (pásma) [MHz]	2401÷2483	2402÷2480
Maximálny výkon [mW] Pásmo(a) [MHz]	100	10

INFORMÁCIE O PRODUKTE

Ako aktivovať modul Wi-Fi:

- Stlačte tlačidlo osvetlenia na 3 sekundy a aktivujte ho
- Modul Wi-Fi sa zapne a začne blikať ikona Wi-Fi
- Ikona bude blikať, ak je vinotéka zaregistrovaná, ale Wi-Fi je vypnuté
- Ak je vinotéka zaregistrovaná a pripojená, ikona Wi-Fi je vždy zapnutá
- Ak chcete resetovať Wi-Fi, stlačte tlačidlo osvetlenia na 3 sekundy

V REŽIME PÁROVANIA APLIKÁCIE

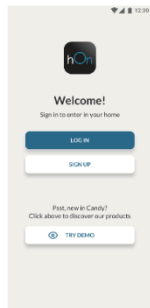
Krok 1

- Stiahnite si aplikáciu hOn z obchodov



Krok 2

- Prihláste sa alebo sa zaregistrujte



Krok 3

- Pridajte nové zariadenie a vyberte vinotéku zo zoznamu



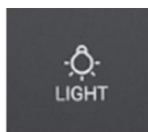
Krok 4

- Naskenujte QR kód alebo manuálne vložte sériové číslo



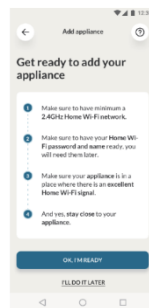
Krok 5

- Stlačením tlačidla osvetlenia na produkte na 3 sekundy aktivujete Wi-Fi



Krok 6

- Ikona wi-fi bude blikať a bude prebiehať proces párovania
 - Na dokončenie procesu párovania budete mať 5 minút
 - Po dokončení procesu prestane ikona Wi-Fi blikať a zostane zapnutá
- POZNÁMKA**





Tipy týkajúce sa úspory energie

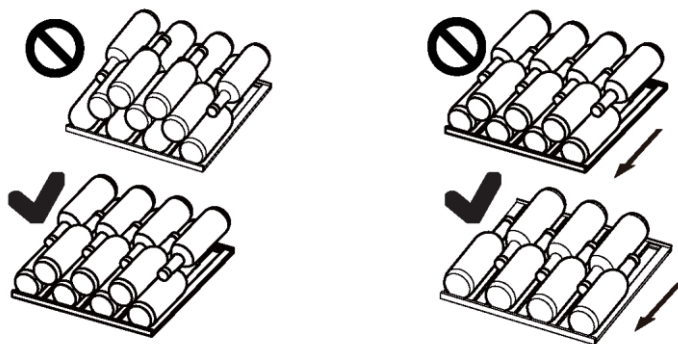
- ▶ Uistite sa, že je prístroj správne odvetrávaný (pozrite časť INŠTALÁCIA).
- ▶ Zariadenie neinštalujte na priame slnečné svetlo ani do blízkosti zdrojov tepla (napr. kachle, ohrievače).
- ▶ Zabráňte zbytočne nízkej teplote v zariadení. Na čím nižšiu je teplota v zariadení nastavená, tým vyššia je spotreba energie.
- ▶ Dvere spotrebiča otvárajte čo najmenej a na čo najkratšie.
- ▶ Neprekračujte určené množstvo fliaš, aby ste nebránili prúdeniu vzduchu.
- ▶ Tesnenia dverí udržiavajte čisté, aby boli dvere vždy správne zatvorené.

1. Polička


1. Poličky sú určené na ľahké skladovanie a ľahké vyberanie vína. Môžete ich čistiť mäkkou handričkou.
2. Bežné fľaše s priemerom 76 mm sa dajú stohovať.
3. Jedenapolitrové fľaše môžete naukladať na dolnú poličku.
4. Množstvo sa môže líšiť od zobrazeného počtu alebo fliaš, ak sú fľaše naukladané iným spôsobom.

Rada k usporiadaniu vašej vinotéky

Odporúčame vám, aby počet vínových fliaš nepresiahol dve vrstvy na každej poličke a nosnosť poličiek na víno nesmie presiahnuť 20 kg. Pred vložením fliaš do vinotéky sa uistite, či sú poličky na víno úplne stabilné. Okrem toho sa uistite, že z políc nevyčnieva žiadna fľaša, aby ste zabránili nárazu fliaš do sklenených dverí pri zatváraní.



2. Osvetlenie

Interiérové LED osvetlenie sa rozsvieti po otvorení dverí. Ak chcete zapnúť osvetlenie, keď sú dvere zatvorené, dotknite sa tlačidla . Opätovným dotykom tlačidla osvetlenie zhasnete. Kvôli zvýšeniu energetickej účinnosti by malo byť osvetlenie vypnuté, keď si vinotéku neprezeráte.

3. Uzamknutie

- Ak chcete vinotéku uzamknúť, zatvorte dvere a vložte kľúč do zámku:
- ▶ Dvere uzamknete otočením kľúča proti smeru hodinových ručičiek.
 - ▶ Dvere odomknete otočením kľúča v smere hodinových ručičiek.

1. Odmrazovanie

Odmrazovanie vinotéky sa vykonáva automaticky; nie je potrebná žiadna manuálna činnosť.

2. Výmena LED žiarovky

Osvetlenie využíva ako zdroj svetla LED, ktoré sa vyznačujú nízkou spotrebou energie a dlhou životnosťou. Ak sa vyskytnú nejaké abnormality, kontaktujte zákaznícky servis. Pozrite časť ZÁKAZNÍCKY SERVIS



VAROVANIE!

LED žiarovku nevymieňajte sami. Výmenu musí vykonať iba výrobca alebo autorizovaný servisný zástupca.

Parametre LED žiarovky:

Napätie 12 V; max. výkon: 8W (pre HWS77GDAU1)

Napätie 12 V; max. výkon: 5W (pre HWS42GDAU1)

3. Nepoužívanie dlhšiu dobu

Odpojte napájací kábel.

Vyčistite zariadenie a tesnenie dverí podľa vyššie uvedeného popisu.

Dvere nechajte otvorené, aby sa vo vnútri nevytvárali nepríjemné pachy.

4. Presúvanie spotrebiča

1. Vyberte všetky fľaše a odpojte spotrebič zo zásuvky.
2. Police a ďalšie pohyblivé časti vo vinotéke zaistíte lepiacou páskou.
3. Vinotéku nenakláňajte o viac ako 45°, aby ste predišli poškodeniu chladiaceho systému.

5. Výmena vzduchu s filtrom s aktívnym uhlím

Spôsob, akým vína naďalej zrejú, závisí od okolitých podmienok. Pre zachovanie vína je preto rozhodujúca kvalita vzduchu. V spodnej časti zadnej steny spotrebiča je namontovaný filter s aktívnym uhlím, aby zostal prechádzajúci vzduch v optimálnej kvalite.



Upozornenie

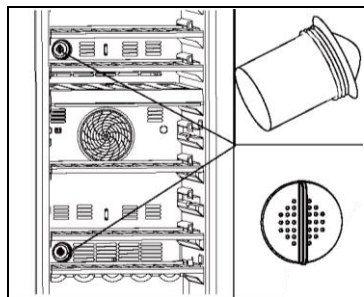
Odporúčame vám, aby ste filter menili raz ročne. Filtre môžete zakúpiť u svojho predajcu.

Výmena filtra:

Uchopte filter za rukoväť. Otočte ho doľava a vyberte.

Vkladanie filtra:

Vložte ho s rukoväťou vo vertikálnej polohe. Otočte ho doprava a vložte.



Mnoho vyskytujúcich sa problémov môžete vyriešiť sami bez osobitných odborných znalostí. V prípade problému skontrolujte všetky zobrazené možnosti a pred kontaktovaním popredajného servisu postupujte podľa nasledujúcich pokynov. Pozrite časť ZÁKAZNÍCKY SERVIS



VAROVANIE!

- ▶ Pred údržbou spotrebič vypnite a vyťahnite zástrčku zo zásuvky.
- ▶ Údržbu elektrického zariadenia môže vykonávať iba kvalifikovaný elektrikár, pretože neodborné opravy môžu spôsobiť značné následné škody.
- ▶ Poškodený prívod môže v záujme eliminácie akéhokoľvek rizika vymeniť len výrobca, jeho servisný zástupca alebo rovnako kvalifikovaná osoba.

Kód chyby	Príčina	Riešenie
rH	Spotrebič vydá varovanie pred vysokou teplotou, keď je teplota horného oddelenia vyššia ako 25 °C po dobu 3 hodín.	Príliš vysoká okolitá teplota. Pracovná teplota spotrebiča by mala byť medzi 10 °C a 38 °C.
rL	Kompresor prestane pracovať, keď je teplota nižšia ako 0 °C. Varovanie o nízkej teplote sa zobrazí, keď je teplota 2 hodiny nižšia ako 0 °C.	Príliš nízka okolitá teplota. Pracovná teplota spotrebiča by mala byť medzi 10 °C a 38 °C.

Problém	Možná príčina	Možné riešenie
Kompresor nefunguje.	<ul style="list-style-type: none"> Zástrčka nie je pripojená k zásuvke. 	<ul style="list-style-type: none"> Pripojte zástrčku.
Spotrebič beží často alebo príliš dlho.	<ul style="list-style-type: none"> Príliš vysoká vonkajšia teplota. Spotrebič bol istý čas vypnutý. Netesne zatvorené dvere spotrebiča. Dvere boli otvorené príliš často alebo príliš dlho. Tesnenia dverí sú špinavé, opotrebované, popraskané alebo nevyrovnané. Nie je zabezpečená požadovaná cirkulácia vzduchu. Nastavená teplota je príliš nízka. 	<ul style="list-style-type: none"> V takom prípade je normálne, že spotrebič beží dlhšie. Zvyčajne chvíľu trvá, kým spotrebič úplne vychladne. Zatvorte dvere a uistite sa, že je spotrebič umiestnený na rovnom povrchu a že sa v ňom nenachádzajú potraviny alebo nádoba, ktoré by blokovali dvere. Neotvárajte dvere príliš často. Vyčistite tesnenie dverí alebo ho dajte vymeniť v zákaznickom servise. Zaistite dostatočnú ventiláciu. Problém sa vyrieši sám, keď sa dosiahne požadovaná teplota.
Vnútro vinotéky je špinavé a/alebo zapácha.	<ul style="list-style-type: none"> Vnútro vinotéky je potrebné vyčistiť. 	<ul style="list-style-type: none"> Vyčistite vnútro vinotéky.
V spotrebiči nie je dostatočne chladno.	<ul style="list-style-type: none"> Nastavená teplota je príliš vysoká. Nedávno boli dokladané fľaše. Netesne zatvorené dvere spotrebiča. Dvere boli otvorené príliš často alebo príliš dlho. Tesnenia dverí sú špinavé, opotrebované, popraskané alebo nevyrovnané. 	<ul style="list-style-type: none"> Resetujte teplotu. Nedávno doloženým fľašiam doprajte čas, aby dosiahli požadovanú teplotu. Zatvorte dvere. Neotvárajte dvere príliš často. Vyčistite tesnenie dverí alebo ho dajte vymeniť v zákaznickom servise.
V spotrebiči je príliš chladno.	<ul style="list-style-type: none"> Nastavená teplota je príliš nízka. 	<ul style="list-style-type: none"> Resetujte teplotu.
Vytváranie vlhkosti na vnútornej strane chladiaceho priestoru.	<ul style="list-style-type: none"> Príliš teplé a príliš vlhké prostredie. Netesne zatvorené dvere spotrebiča. Dvere boli otvorené príliš často alebo príliš dlho. 	<ul style="list-style-type: none"> Zvýšte teplotu. Zatvorte dvere. Neotvárajte dvere/zásuvku príliš často.

Problém	Možná príčina	Možné riešenie
Na vonkajšom povrchu vinotéky sa vytvára vlhkosť.	<ul style="list-style-type: none"> Príliš teplé a príliš vlhké prostredie. Dvere nie sú tesne zatvorené. Dochádza ku kondenzácii chladného vzduchu v spotrebiči a teplého vzduchu mimo neho. 	<ul style="list-style-type: none"> Vo vlhkom podnebí je to normálne a zmení sa to po poklese vlhkosti. Dbajte na to, aby boli dvere zavreté tesne a aby tesnenie správne tesnilo.
Spotrebič vydáva neobvyklé zvuky	<ul style="list-style-type: none"> Spotrebič nie je umiestnený na rovnom povrchu. Spotrebič sa dotýka nejakého predmetu v jeho okolí. 	<ul style="list-style-type: none"> Nastavte nožičky a vyrovnajte spotrebič. Odstráňte predmety v okolí spotrebiča.
Je počuť tichý zvuk podobný tečúcej vode.	<ul style="list-style-type: none"> Je to normálne 	<ul style="list-style-type: none"> -
Nefunguje osvetlenie interiéru alebo chladiaci systém.	<ul style="list-style-type: none"> Zástrčka nie je pripojená k zásuvke. Napájaci zdroj nie je neporušený. LED žiarovka nie je v poriadku. 	<ul style="list-style-type: none"> Pripojte zástrčku. Skontrolujte elektrické napájanie v miestnosti. Zavolajte miestnu elektrárenskú spoločnosť. Kontaktujte servis kvôli výmene.
Boky chladiča a lišty dverí sa zahrievajú.	<ul style="list-style-type: none"> Je to normálne. 	<ul style="list-style-type: none"> -
Dvere sa nezatvárajú správne	<ul style="list-style-type: none"> Spotrebič nie je vyrovnaný. Dvere sú zablokované. 	<ul style="list-style-type: none"> Vyrovnajzte spotrebič pomocou vyrovnávacích nožičiek. Skontrolujte blokovania, ako sú napríklad fľaše alebo poličky.

Produktový list podľa nariadenia EÚ č. 1060/2010

Značka	Haier	Haier
Názov/identifikačný kód modelu	HWS42GDAU1	HWS77GDAU1
Menovitá kapacita fliaš	42	77
Kategória chladenia v domácnosti	2	2
Trieda energetickej účinnosti	A	A
Ročná spotreba energie (kWh/rok) ¹⁾	142	152
Skladovací objem (L)	106	190
Klimatická trieda: Toto zariadenie je určené na použitie pri okolitej teplote medzi 10 °C a 38 °C.	SN N ST	SN N ST
Emisie akustického hluku prenášaného vzduchom (db(A) re 1pW)	37	37
Typ zariadenia	Voľne stojace	Voľne stojace
Toto zariadenie je určené na použitie výhradne na uskladnenie vína.	Áno	Áno
Rozmery (H/Š/V v mm)	585/497/820	585/497/1270

Vysvetlenie:

- 1) na základe výsledkov štandardného testovania po dobu 24 hodín. Skutočná spotreba energie závisí od skutočného prostredia, množstva naložených fliaš, nastavenej teploty, otvárania a zatvárania dverí atď.
- 2) Menovitá spotreba energie je hodnota získaná podľa štandardného testovania, keď vinotéka nezapne vnútorné svetlo.

11.3 Normy a smernice

Tento výrobok spĺňa požiadavky všetkých príslušných smerníc ES s príslušnými harmonizovanými normami, ktoré ustanovujú označenie CE.

Odporúčame vám náš zákaznícky servis Haier a použitie originálnych náhradných dielov. Ak máte problém so svojim spotrebičom, najskôr si pozrite časť RIEŠENIE PROBLÉMOV.

Ak tam nenájdete riešenie, kontaktujte

- ▶ svojho miestneho predajcu alebo
- ▶ Servis a Podporu na www.haier.com, kde nájdete telefónne čísla a najčastejšie otázky a kde môžete aktivovať uplatnenie servisu.

Ak chcete kontaktovať náš servis, uistite sa, že máte k dispozícii nasledujúce údaje. Informácie nájdete na typovom štítku.

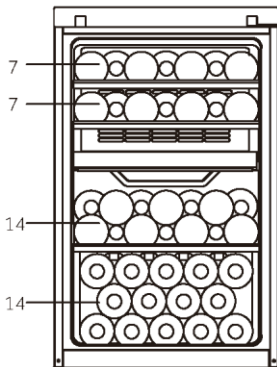
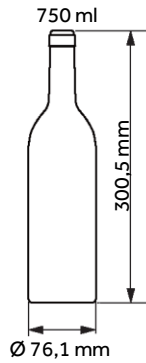
Model _____ Sériové č. _____

V prípade záruky tiež skontrolujte záručný list dodaný s produktom.

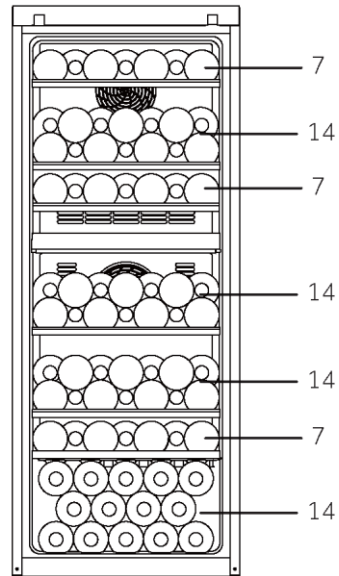
Ak máte všeobecné obchodné otázky, obráťte sa na naše nasledovné adresy v Európe:

Európske adresy Haier

Krajina*	Poštová adresa	Krajina	Poštová adresa
Taliansko	Haier Europe Trading SRL Via De Cristoforis, 12 21100 Verese ITALY	Francúzsko	Haier France SAS 3-5 rue des Gravier 92200 Neuilly sur Seine FRANCE
Španielsko Portugalsko	Haier Iberia SL Pg. Garcia Faria, 49-51 08019 Barcelona SPAIN	Belgicko-FR Belgicko-NL Holandsko Luxembursko	Haier Benelux SA Anderlecht Route de Lennik 451 BELGIUM
Nemecko Rakúsko	Haier Deutschland GmbH Hewlett-Packard-Str. 4 D-61352 Bad Homburg GERMANY	Poľsko Česko Maďarsko Grécko Rumunsko Rusko	Haier Poland Sp. zo.o. Al. Jerozolimskie 181B 02-222 Warszawa POLAND
Spojené kráľovstvo	Haier Appliances UK Co. Ltd. One Crown Square Church Street East Woking, Surrey, GU21 6HR UK		



HWS42GDAU1
(42)



HWS77GDAU1
(77)



Uživatelská
příručka

Vinný sklípek

HWS77GDAU1

HWS42GDAU1

CZ

Haier

Děkujeme vám, že jste si koupili výrobek značky Haier.

Před použitím spotřebiče si pozorně přečtete tyto pokyny. Obsahují důležité informace, které vám pomohou co nejlépe využít spotřebič a zajistit jeho bezpečnou a správnou instalaci, používání a údržbu.

Uschovejte tuto příručku na praktickém místě, abyste do ní mohli kdykoli nahlédnout ohledně bezpečného a správného používání spotřebiče.

Pokud spotřebič prodáváte, věnujete nebo necháváte ve starém domě, předejte společně s ním také tuto příručku, aby se mohl nový vlastník seznámit se spotřebičem a přečíst si bezpečnostní varování.



Legenda

Varování – důležité bezpečnostní informace



Všeobecné informace a tipy



Informace týkající se životního prostředí



Likvidace

Pomáhejte chránit životní prostředí a lidské zdraví. Vložte obalový materiál do vhodných kontejnerů pro recyklaci. Pomáhejte recyklovat odpadní elektrické a elektronické spotřebiče. Spotřebiče označené tímto symbolem nevyhazujte do domovního odpadu. Zašlete výrobek do místního recyklačního závodu, nebo se obraťte na váš obecní úřad.



VAROVÁNÍ!

Nebezpečí poranění nebo udušení!

Chladiva a plyny vyžadují profesionální likvidaci. Zajistěte, aby se potrubí chladicího okruhu nepoškodilo, než bude náležitě zlikvidováno. Odpojte spotřebič od síťového napájení. Odstráňte síťový kabel a zlikvidujte ho. Odstraňte police a přihrádky, stejně jako západku a těsnění dvířek, aby se zamezilo uzavření dětí a domácích zvířat uvnitř spotřebiče.

Staré spotřebiče mají stále určitou zbytkovou hodnotu. Způsob likvidace šetrný k životnímu prostředí zaručí, že bude možné znovu získat a využít cenné suroviny.

Jako nadouvadlo pro pěnovou izolaci se používá cyklopentan, což je hořlavá látka, která nepoškozuje ozónovou vrstvu.

Zajištěním správné likvidace tohoto výrobku pomůžete předcházet případným negativním důsledkům pro životní prostředí a lidské zdraví, k nimž by jinak mohlo docházet.

Podrobnější informace o profesionální recyklaci tohoto výrobku získáte na místním obecním úřadě, u společnosti zajišťující odvoz domovního odpadu nebo v prodejně, kde jste výrobek zakoupili.

1- Bezpečnostní informace	4
2- Tipy týkající se bezpečnosti	6
3- Údržba	11
4- Příslušenství	13
5- Popis výrobku	14
6- Instalace	15
7- Používání	18
8- Tipy pro úsporu energie	23
9- Vybavení	24
10- Čištění a údržba	25
11- Řešení problémů	26
12- Technické údaje	29
13- Zákaznický servis	30
14- Skládání láhví vína	31

Tento spotřebič je určen výhradně k ukládání vína. Před prvním zapnutím spotřebiče si přečtěte následující rady týkající se bezpečnosti:



VAROVÁNÍ!

Před prvním použitím

- ▶ Ujistěte se, že při přepravě nedošlo k žádnému poškození.
- ▶ Odstraňte veškerý obalový materiál, uschovejte ho mimo dosah dětí a zlikvidujte ho způsobem šetrným k životnímu prostředí.
- ▶ Před instalací spotřebiče počkejte alespoň dvě hodiny, aby byla zaručena plná účinnost okruhu chladiwa.
- ▶ Se spotřebičem vždy manipulujte alespoň ve dvou osobách, protože je těžký.

Instalace

- ▶ Spotřebič by se měl umístit do dobře větrané místnosti. Nad spotřebičem a kolem něj zajistěte volný prostor alespoň 10 cm.
- ▶ **VAROVÁNÍ:** Zajistěte, aby nic nezakrývalo větrací otvory ve skříni spotřebiče nebo v konstrukci pro vestavění.
- ▶ Nikdy neumísťujte spotřebič do vlhkého prostoru nebo na místo, kde by na něj mohla stříkat voda. Vodu a skvrny odstraňte a vysušte měkkou, čistou látkou.
- ▶ Neinstalujte vinný sklípek na místo, které není správně izolované nebo vytápěné, např. do garáže apod. Vinný sklípek není určen k provozu při teplotě okolí nižší než 10 °C.
- ▶ Neinstalujte spotřebič na přímé sluneční světlo nebo do blízkosti zdrojů tepla (např. sporáků nebo ohříváčů).
- ▶ Nainstalujte spotřebič na místo odpovídající jeho velikost a používání a vyrovnejte ho.
- ▶ Ujistěte se, že parametry elektrického napájení se shodují s údaji na typovém štítku. V opačném případě kontaktujte elektrikáře.
- ▶ Spotřebič pracuje s napájením 220–240 VAC/50 Hz. Nenormální kolísání napětí může způsobit, že spotřebič se nespustí, nebo se poškodí regulátor teploty či kompresor, případně se může za chodu ozývat neobvyklý hluk. V takovém případě by se měl nainstalovat automatický regulátor.
- ▶ Nepoužívejte rozbočovací adaptéry ani prodlužovací kabely.

**VAROVÁNÍ!**

- ▶ **VAROVÁNÍ:** Neumísťujte za spotřebič přenosné rozbočovací zásuvky ani prodlužovací kabely.
- ▶ **VAROVÁNÍ:** Při umísťování spotřebiče se ujistěte, že napájecí kabel není zachycený nebo poškozený.
- ▶ Nešlapejte na napájecí kabel.
- ▶ K napájení použijte samostatnou, snadno přístupnou uzemněnou zásuvku. Tento spotřebič musí být uzemněný.
- ▶ **Pouze pro Spojené království:** Napájecí kabel spotřebiče je vybaven trojpólovou zástrčkou (s uzemněním), která se zapojuje do standardní trojpólové zásuvky (s uzemněním). Nikdy neodřezávejte ani nedemontujte třetí kolík (uzemnění). Zástrčka by měla být přístupná po instalaci spotřebiče.
- ▶ **VAROVÁNÍ:** Nepoškodte okruh chladiwa.

Denní používání

- ▶ Tento spotřebič mohou používat děti starší osmi let a osoby s omezenými fyzickými, smyslovými nebo duševními schopnostmi nebo osoby nezkušené a neznalé za předpokladu, že mají zajištěný dohled nebo byly poučeny o bezpečném používání spotřebiče a chápou související rizika.
- ▶ Děti si se spotřebičem nesmějí hrát.
- ▶ Děti ve věku od 3 do 8 let mohou plnit a vyprazdňovat chladicí spotřebiče, ale nesmějí je čistit ani instalovat.
- ▶ Zabraňte dětem mladším 3 let v přístupu ke spotřebiči, pokud nejsou pod nepřetržitým dozorem.
- ▶ Děti nesmějí provádět čištění a uživatelskou údržbu bez dozoru.
- ▶ Spotřebič musí být umístěn tak, aby byla zástrčka přístupná.
- ▶ Jestliže v blízkosti spotřebiče uniká svítiplyn nebo jiný hořlavý plyn, vypněte ventil unikajícího plynu, otevřete dveře a okna a neodpojujte napájecí kabel spotřebiče od zásuvky.
- ▶ Po odpojení napájení počkejte nejméně 7 minut, než opět připojíte napájení.
- ▶ Nezdvihejte spotřebič za madla jeho dvířek.
- ▶ Klíče musí být uloženy mimo dosah dětí a dále od spotřebiče, aby se předešlo uzamčení dětí uvnitř spotřebiče.



VAROVÁNÍ!

- ▶ Upozorňujeme, že spotřebič je určen k provozu v určitém rozsahu teplot okolí mezi 10 a 38 °C. Pokud je delší dobu vystaven teplotám nad nebo pod uvedeným rozsahem, může se stát, že nebude správně fungovat.
- ▶ Nepokládejte na horní stranu spotřebiče nestabilní předměty (těžké předměty, nádoby naplněné vodou), aby se předešlo zranění způsobenému pádem nebo elektrickým proudem v důsledku styku s vodou.
- ▶ Otvírejte a zavírejte dvířka pouze pomocí madel. Mezera mezi dvířky a skříní je velmi úzká. Nevkládejte do těchto míst ruce, abyste si nepřiskřípli prsty. Dvířka spotřebiče otvírejte nebo zavírejte pouze v případě, že v dosahu jejich pohybu nestojí žádné děti.
- ▶ Ve spotřebiči nebo v jeho blízkosti neskladujte ani nepoužívejte hořlavé, výbušné nebo korozivní látky.
- ▶ V tomto spotřebiči neskladujte výbušné látky, jako jsou nádoby s aerosolem, v nichž se používá hořlavý hnací plyn.
- ▶ Ve spotřebiči neskladujte léky, bakterie ani chemické látky. Tento spotřebič je určen k použití v domácnosti. Nedoporučuje se skladovat materiály, které vyžadují přesně stanovené teploty.
- ▶ Nenastavujte zbytečně nízkou teplotu ve vnitřním prostoru pro víno. Při vysokém nastavení může teplota klesnout do záporných hodnot. Pozor: Láhve mohou prasknout.
- ▶ Za provozu se nedotýkejte vnitřního povrchu prostoru spotřebiče, zejména ne mokřýma rukama, protože by mohly přimrznout k povrchu.
- ▶ Správné chlazení vína vyžaduje, aby se spotřebič nepřehřival.
- ▶ V případě výpadku napájení nebo před čištěním odpojte spotřebič od napájení. Před opětovným spuštěním spotřebiče počkejte alespoň 7 minut, protože časté spouštění by mohlo poškodit kompresor.
- ▶ **VAROVÁNÍ:** Uvnitř spotřebiče nepoužívejte elektrická zařízení, pokud nejsou takového typu, který doporučil výrobce. Aby se zamezilo rizikům, výměnu poškozeného napájecího kabelu musí provést zákaznický servis (viz záruční list).
- ▶ Nevypínejte spotřebič, abyste prodloužili jeho provozní životnost.
- ▶ Nikdy nepokládejte spotřebič vodorovně na zem. Po naklonění spotřebiče v úhlu větším než 45° počkejte 24 hodin, než ho připojíte k napájení.

**VAROVÁNÍ!****Údržba/čištění**

- ▶ Jestliže jsou čištění a údržba prováděny dětmi, je nutné na ně dohlížet.
- ▶ Před zahájením jakékoli pravidelné údržby odpojte spotřebič od elektrického napájení. Před opětovným spuštěním spotřebiče počkejte alespoň 7 minut, protože časté spuštění by mohlo poškodit kompresor.
- ▶ Při odpojování spotřebiče od napájení držte zástrčku, nikoli kabel.
- ▶ Nečistěte spotřebič tvrdými kartáči, drátěnými kartáči, práškovým mycím prostředkem, benzínem, amylacetátem, acetonem, podobnými organickými roztoky a kyselými nebo zásaditými roztoky. K čištění použijte speciální čisticí prostředek na chladničky/mrazničky, aby se zamezilo poškození. Nakonec použijte roztok jedlé sody v teplé vodě – asi jednu polévkovou lžičku jedlé sody na litr vody. Důkladně opláchněte povrch vodou a otřete ho do sucha. Nepoužívejte práškové ani jiné abrazivní čisticí prostředky. Nemyjte odnímatelné součásti v myčce.
- ▶ **VAROVÁNÍ:** K urychlení rozmrazování nepoužívejte mechanická zařízení ani jiné prostředky kromě těch, které doporučil výrobce.
- ▶ Pokud se poškodí napájecí kabel, výměnu musí provést výrobce, jeho servisní zástupce nebo osoby s podobnou kvalifikací, aby se vyloučilo riziko.
- ▶ Nepokoušejte se opravovat, rozebírat nebo upravovat spotřebič vlastními silami. Je-li nutná oprava, obraťte se na náš zákaznický servis.
- ▶ Pokud se poškodí osvětlovací žárovky, výměnu musí provést výrobce, jeho servisní zástupce nebo osoby s podobnou kvalifikací, aby se vyloučilo riziko.
- ▶ Alespoň jednou za rok odstraňte prach ze zadní strany spotřebiče, aby se předešlo nebezpečí požáru a snížila se spotřeba energie.

- ▶ Během čištění na spotřebič nestříkejte ani nelijte vodu.
- ▶ K čištění spotřebiče nepoužívejte vodní postřik ani proud vody.
- ▶ Nečistěte chladná skleněná dvířka horkou vodou. Náhlá změna teploty by mohla způsobit, že sklo praskne.
- ▶ Pokud spotřebič delší dobu nepoužíváte, nechte ho otevřený, aby uvnitř nevznikl nepříjemný zápach.

Informace o plynném chladivu



VAROVÁNÍ!

Spotřebič obsahuje hořlavé chladivo ISOBUTAN (R600a). Ujistěte se, že během přepravy nebo instalace nedošlo k poškození okruhu chladiva. Unikající chladivo by mohlo způsobit zranění očí, nebo by se mohlo vznítit. Pokud dojde k poškození, nepřibližujte se s otevřeným plamenem, důkladně vyvětrejte místnost a **nezapojujte** ani neodpojujte napájecí kabely tohoto či jiných spotřebičů. Informujte zákaznický servis.

V případě zasažení očí chladivem důkladně vypláchněte oči pod tekoucí vodou a ihned zavolejte očnímu lékaři.

VAROVÁNÍ: Systém chlazení je pod vysokým tlakem. Nemanipulujte s ním. Vzhledem k používání hořlavých chladiv je nutné přísně dodržovat pokyny pro instalaci, manipulaci a údržbu spotřebiče a pokud chcete spotřebič zlikvidovat, obraťte se na odborníka nebo náš poprodejní servis.

Určené použití


Tento spotřebič je určen k používání v domácnostech a podobných oblastech, jako jsou:

- kuchyňky pro personál v obchodech, kancelářích a na dalších pracovištích;
 - farmy a zákazníci v hotelech, motelech a dalších obytných objektech;
 - ubytovací zařízení typu penzionu se snídaní;
 - cateringové služby a podobné aplikace, ve kterých se nejedná o maloobchodní prodej.
- Dodržujte tento návod k použití, zajistíte tím bezpečné uchování vína.
- Podrobné informace o nevhodnějších částech prostoru spotřebiče pro uchování určitých typů potravin s ohledem na rozložení teplot, které se mohou vyskytovat v různých prostorech spotřebiče, jsou uvedeny v jiné části příručky.

Není dovoleno provádět změny nebo úpravy na zařízení. Používání k jinému než určenému účelu může představovat nebezpečí a vést ke ztrátě platnosti záruky.

Likvidace



Symbol  na výrobku nebo jeho obalu znamená, že s tímto výrobkem nelze nakládat jako s domovním odpadem. Místo toho musí být dopraven do příslušného sběrného místa pro recyklaci elektrických a elektronických zařízení. Zajištěním správné likvidace tohoto výrobku pomůžete předcházet případným negativním důsledkům pro životní prostředí a lidské zdraví, k nimž by jinak mohlo docházet při nesprávné manipulaci s tímto výrobkem. Podrobnější informace o recyklaci tohoto výrobku získáte na místním obecním úřadě, u společnosti zajišťující odvoz domovního odpadu nebo v prodejně, kde jste výrobek zakoupili.

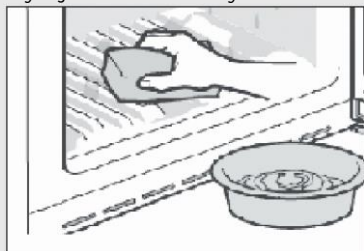
Vzhledem k použití hořlavých nadouvadec pro izolaci svěřte likvidaci spotřebiče odborníkům nebo našemu poprodejnímu servisu.

VAROVÁNÍ!

Nebezpečí udušení!

Chladiva a plyny vyžadují profesionální likvidaci. Zajistěte, aby se potrubí chladicího okruhu nepoškodilo, než bude náležitě zlikvidováno. Odpojte spotřebič od síťového napájení. Odstříhnete síťový kabel a zlikvidujte ho. Odstraňte police a přihrádky, stejně jako západku a těsnění dvířek, aby se zamezilo uzavření dětí a domácích zvířat uvnitř spotřebiče.

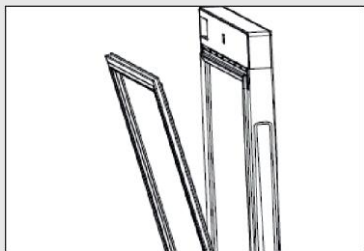
- ▶ **VAROVÁNÍ:** Před čištěním odpojte spotřebič od napájení.
- ▶ Nečistěte spotřebič tvrdými kartáči, drátěnými kartáči, práškovým mycím prostředkem, benzínem, amylacetátem, acetonem, podobnými organickými roztoky a kyselými nebo zásaditými roztoky. K čištění použijte speciální čisticí prostředek na chladničky, aby se zamezilo poškození.
- ▶ Spotřebič čistěte pouze tehdy, když je v něm uloženo jen málo vína, nebo je prázdný. Je třeba jej čistit, pouze když je znečištěný.
- ▶ Očistěte vnitřek a skříň spotřebiče houbou navlhčenou v teplé vodě s neutrálním čisticím prostředkem.
- ▶ Opláchněte ho čistou teplou vodou a vysušte ho měkkou látkou.
- ▶ Nemyjte žádné součásti spotřebiče v myčce.
- ▶ Před opětovným spuštěním spotřebiče počkejte alespoň 7 minut, protože časté spouštění by mohlo poškodit kompresor.



Čištění těsnění dvířek:

- ▶ Těsnění dvířek by se mělo čistit každé 3 měsíce, aby bylo zaručeno správné přilnutí. Jak je znázorněno níže: Odstranění: Uchopte těsnění dvířek a vytáhněte ho ve směru šipky, aby se vcelku oddělilo od dvířek.

Namočte kartáč do vody nebo alkoholu vhodného pro potravinářství a nejprve vykartáčujte drážku těsnění dvířek. Potom otřete povrch těsnění dvířek utěrkou namočenou ve vodě nebo alkoholu vhodném pro potravinářství. Nakonec omyjte těsnění dvířek čistou vodou a vysušte ho čistou utěrkou.



Instalace těsnění dvířek po vyčištění:

Před instalaci se ujistěte, že na těsnění dvířek není žádná voda. Vložte těsnění dvířek do drážky a pevně ho zatlačte rukou odshora dolů tak, aby bylo celé uvnitř drážky.

Čištění polic:

- ▶ Všechny police lze vyjmout za účelem čištění.
- ▶ Vyndejte všechny láhve.
- ▶ Každou polici nadzdvihněte a vytáhněte ven.
- ▶ Vyčistěte polici měkkou utěrkou.
- ▶ Počkejte, až police uschnou, než je vložíte zpět do spotřebiče.

VAROVÁNÍ:

Po odpojení napájení počkejte nejméně 7 minut, než opět připojíte napájení.

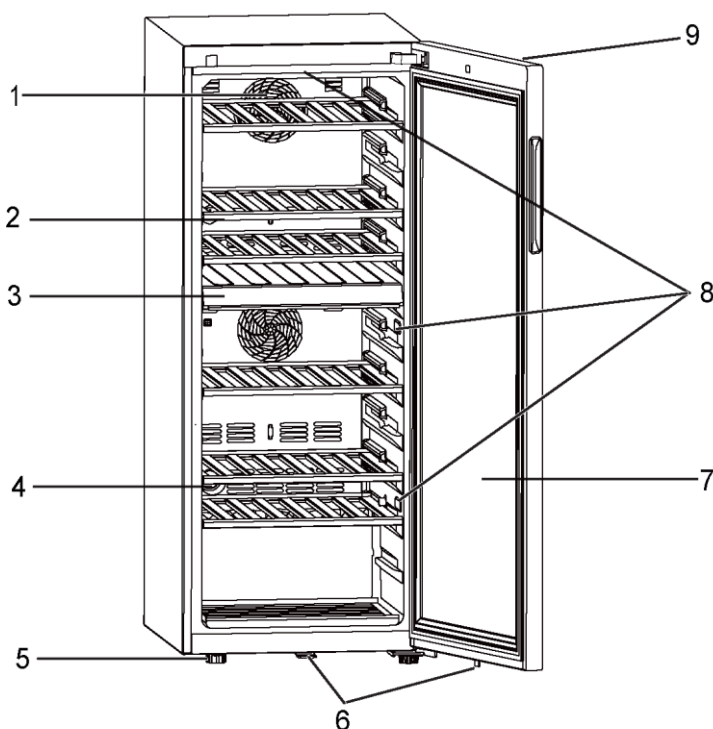
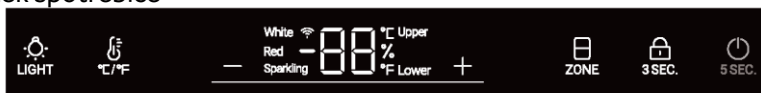
Zkontrolujte příslušenství a literaturu podle tohoto seznamu: bez izolace.

Název	Užívatelská příručka	Servisní karta	Police	Malá police	Kryt závěsu	Energetický štítek	Klíč	Levá vačka dvířek
HWS77GDAU1	1	1	6	1	1	1	2	2
HWS42GDAU1	1	1	3	1	1	1	2	2

Upozornění

Vzhledem k technickým změnám a různým modelům nemusí některé obrázky v této příručce přesně zobrazovat váš model.

Obrázek spotřebiče



- | | |
|---------------------------|-------------------------------------|
| 1. Ventilátor | 6. Zámek |
| 2. Police | 7. Dveře |
| 3. Střední příčka | 8. Žárovka LED |
| 4. Filtr s aktivním uhlím | 9. Displej (na přední straně dveří) |
| 5. Nastavitelné nohy | |

1. Vybalení

- ▶ Vyjměte spotřebič z obalu.
- ▶ Odstraňte veškerý obalový materiál včetně pěnové základny a všech lepicích pásek, které podržují příslušenství.

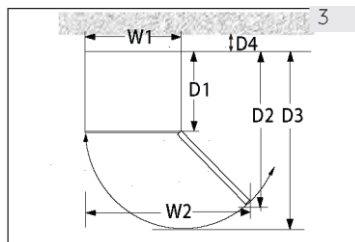
2. Podmínky prostředí

Pokojeová teplota by měla být vždy mezi 10 °C a 38 °C, protože může ovlivňovat teplotu uvnitř spotřebiče a jeho spotřebu energie. Bez náležité izolace neinstalujte spotřebič do blízkosti jiných spotřebičů vytvářejících teplo (trub, chladniček).

3. Požadavky na místo

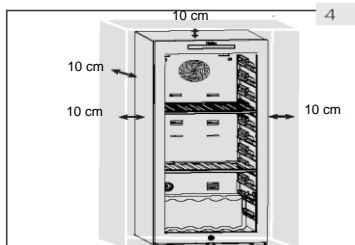
Potřebný prostor pro otvírání dvířek (obr. 3):

Šířka v mm		Hloubka v mm			Vzdálenost od stěny v mm
W1	W2	D1	D2	D3	D4
495	630	535	1033	1047	100



4. Prostor pro větrání

Z bezpečnostních a energetických důvodů je nutné dodržet požadovanou větrací vzdálenost 10 cm ve všech směrech (obr. 4).



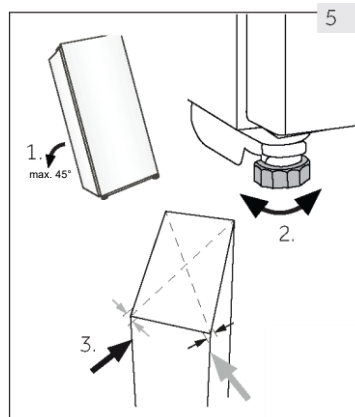
VAROVÁNÍ!

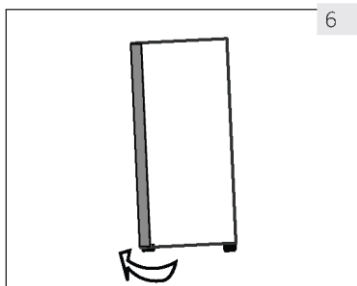
- ▶ Zajistěte, aby nic nezakrývalo větrací otvory ve spotřebiči nebo v konstrukci pro vestavění.

5. Vyrovnání spotřebiče

Spotřebič by se měl postavit na rovný a pevný povrch.

1. Mírně nakloňte spotřebič dozadu (obr. 5).
2. Otáčením nastavte nastavitelné přední nohy na požadovanou výšku.
3. Stabilitu lze zkontrolovat střídavým kýváním po úhlopříčkách. Mírné kymácení v obou směrech by mělo být stejné. Jinak by se mohl rám zdeformovat, což by mohlo mít za následek, že těsnění dvířek nebude přiléhat. Mírný náklon dozadu usnadňuje zavírání dvířek.





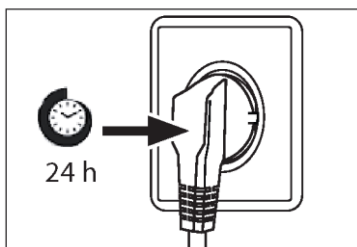
6

6. Jemné nastavení dveří

Pokud se použijí vyrovnávací nohy na přední straně, spotřebič se bude snáze zavírat:

Otáčením nastavitelných noh (obr. 6) zvyšujte nebo snižujte výšku:

- ▶ Otáčením noh doprava se zvyšuje výška spotřebiče.
- ▶ Otáčením noh doleva se snižuje výška spotřebiče.



7. Doba čekání

V kapsli kompresoru se nachází bezúdržbový mazací olej. Pokud se spotřebič během přepravy nakloní, olej se může dostat do uzavřeného potrubního systému. Před připojením spotřebiče k napájení počkejte 24 hodin (obr. 7), aby všechen olej natekl zpět do kapsle.

8. Připojení k elektrickému napájení

Před každým připojením zkontrolujte:

- ▶ zda napájení, zásuvka a jističi odpovídají údajům na typovém štítku;
- ▶ zda je síťová zásuvka uzemněná a nepoužívá se rozbočovací adaptér ani prodlužovací kabel;
- ▶ zda zástrčka správně zapadne do zásuvky.

Zapojte zástrčku do náležitě nainstalované domácí zásuvky.



VAROVÁNÍ!

Aby se zamezilo rizikům, výměnu poškozeného napájecího kabelu musí provést zákaznický servis (viz záruční list).

9. Změna směru otáčení dveří

Před připojením spotřebiče k napájení byste měli zkontrolovat, zda není nutné změnit směr otáčení dveří zprava (po dodání) doleva, jestliže to vyžaduje místo instalace a použitelnost.

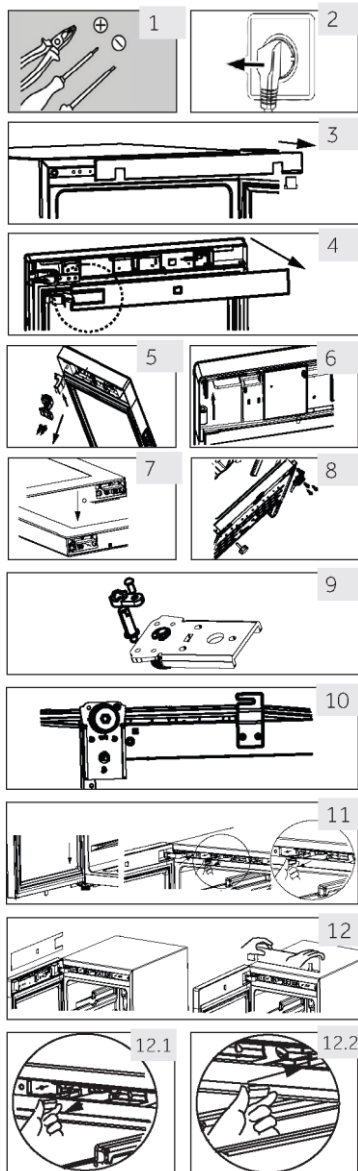


VAROVÁNÍ!

- ▶ Spotřebič je těžký. Ke změně směru otáčení dveří jsou zapotřebí dvě osoby.
- ▶ Před jakýmkoli úkonem nejprve odpojte spotřebič od sítě.
- ▶ Nenaklánejte spotřebič v úhlu větším než 45°, aby se předešlo poškození chladicího systému.

Kroky montáže

1. Připravte si potřebné nástroje.
2. Odpojte spotřebič od napájení.
3. Otevřete dvířka, sundejte přední lištu a najděte odpovídající lištu, kterou je třeba odstranit z levé strany a umístit na pravou stranu mezery.
4. Odpojte propojovací kabel. Vytáhněte horní část těsnění dvířek a sundejte lištu na zadní straně dvířek. (Odstraňte ji z levé strany.)
5. Odstraňte 2 šrouby na horním závěsu.
6. Odstraňte kryt a závěs, odstraňte kryt osy, potom je namontujte na druhou stranu a potom nainstalujte závěs na osu.
7. Odstraňte vačku a držák dvířek a přemístěte držák dvířek na druhou stranu dvířek. Nainstalujte novou vačku ze sáčku.
8. Při nakloněné skříni (v úhlu menším než 45°) odstraňte dolní závěs (3 šrouby) a uschovejte ho.
9. Odstraňte vačku dolního závěsu a osu závěsu. Nainstalujte osu na pravou stranu dolního závěsu. Vyjměte vačku ze sáčku s pokyny a nainstalujte ji na osu dolního závěsu.
10. Nainstalujte dolní závěs a dolní nohu na druhou stranu skříně. Namažte vačku.
11. Nainstalujte dvířka na osu dolního závěsu a dvěma šrouby upevněte horní závěs na skříni. Upevněte signální vodiče doprostřed drážky horního závěsu, ze sáčku s pokyny vyjměte kryt závěsu a připevněte ho k hornímu závěsu.
12. Nainstalujte na dvířka těsnění dvířek a lištu. Vložte pár signálních vodičů dvířek, přemístěte magnetický spínač (12.1) do pravého montážního otvoru (12.2) v horní dutině a připevněte ke skříni přední lištu.
13. Ujistěte se, že dvířkům nic nebrání v otvírání a zavírání.



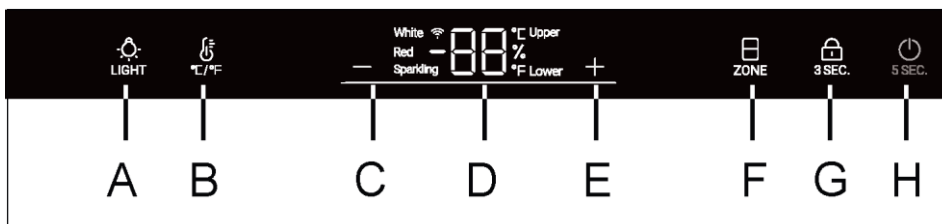
1. Před prvním použitím

- ▶ Odstraňte všechny obalové materiály. Patří mezi ně pěnová základna a všechny lepicí pásy, které drží příslušenství uvnitř a na vnější straně vinného sklípku. Uschovejte je mimo dosah dětí a zlikvidujte ho způsobem šetrným k životnímu prostředí.
- ▶ Než do spotřebiče vložíte nějaké víno, vyčistěte jeho vnitřní i vnější povrchy vodou a slabým saponátem.
- ▶ Po vyrovnání a vyčištění počkejte alespoň 2 hodiny, než spotřebič připojíte k napájení. Pokud je nutné z jakéhokoli důvodu naklonit vinný sklípek, počkejte 24 hodin, než ho připojíte k napájení. Viz část INSTALACE.
- ▶ Jakmile připojíte spotřebič k elektrické zásuvce, nechte ho běžet alespoň 30 minut, aby se aklimatizoval, než začnete cokoli nastavovat.
- ▶ Teplota je automaticky nastavena na 12 °C. V případě potřeby můžete teplotu změnit ručně. Viz TEPLOTA.

2. Dotyková tlačítka


Na ovládacím panelu jsou dotyková tlačítka, která reagují na lehký dotyk prstem.

3. Popis ovládacího panelu



- | | |
|--------------------------------------|--|
| A Tlačítko osvětlení interiéru/Wi-Fi | E Tlačítko nastavování teploty: nahoru |
| B Tlačítko přepínání °C /°F | F Výběr teplotní zóny |
| C Tlačítko nastavování teploty: dolů | G Tlačítko zámku |
| D Displej | H Tlačítko napájení |

4. Funkce automatického zamykání

Do 30 sekund od aktivace se ovládací panel automaticky zapne a nebude reagovat na stisknutí žádného tlačítka, rozsvítí se indikátor  3 SEC.. Chcete-li aktivovat zámek tlačítek, na 3 sekundy stiskněte tlačítko  3 SEC.; po zamknutí se ztlumí podsvícení LED. Tlačítko A není zamknuté.

5. Funkce tlačítka napájení

Když je displej odemknutý, stiskněte na 5 sekund tlačítko H a napájení vinného sklípku se vypne. Potom na 5 sekund stiskněte tlačítko H a vinný sklípek se zapne. Když je displej zamknutý, tlačítko H nefunguje.

6. Nastavování teploty



Upozornění

Výchozí nastavení

- ▶ Jakmile připojíte spotřebič k elektrické zásuvce, nechte ho běžet alespoň 30 minut, aby se aklimatizoval, než začnete cokoli nastavovat.
- ▶ Když se spotřebič zapne poté, co byl odpojen od napájení, může trvat několik hodin, než dosáhne správné teploty. Přesná doba se liší v závislosti na prostředí a nastavení teploty.

1. Výběr teplotní zóny

V odemknutém stavu nepřetržitě svítí ikona „ZONE“. Pokud se aktuální zobrazení nachází v horní teplotní zóně, horní ikona svítí a dolní ikona nesvítí. V tomto okamžiku stiskněte tlačítko „ZONE“, dolní ikona se rozsvítí a horní ikona zhasne.

2. Nastavování teploty

V odemknutém stavu, když svítí ikona „Upper“ (Horní), lze nastavovat teplotu horní teplotní zóny.

Když svítí ikona „Upper“ (Horní), stisknutím tlačítka **+** nebo **-** zvyšujete nebo snižujete teplotu. Až dosáhnete požadované teploty, stiskněte tlačítko. Po 3 sekundách od dokončení nastavování teploty přestane část displeje s teplotou blikat a potom by se na ní měla zobrazovat aktuální teplota.

Rozsah teplot je 5 až 20 stupňů.

Když svítí ikona „Lower“ (Dolní), lze nastavovat teplotu dolní teplotní zóny.

Doporučené nastavení teplot

Pro různé typy vína se doporučují následující konzumační teploty.

Červené víno	+13 °C až +20 °C (+55 °F až +68 °C)	Šumivé víno Prosecco	+5 °C až +8 °C (+41 °F až +47 °F)
Bílé víno	+9 °C až +12 °C (+48 °F až +54 °F)		

Pokud skladujete víno delší dobu, mělo by se ukládat při teplotě mezi +10 °C a +12 °C (50 °F a +54 °F).

7. Pohotovostní režim

Po 30 sekundách obrazovka displeje automaticky zhasne.

Po stisknutí jakéhokoli tlačítka nebo otevření dvířek se automaticky rozsvítí.

8. Nastavení režimu osvětlení

Stiskněte tlačítko . Když jsou zapnutá světla ve skříni, pozvolna se rozsvítí.

Po dalším stisknutí tlačítka  světla pozvolna zhasnou.



Upozornění Faktory ovlivňující teplotu


Teplota uvnitř spotřebiče je ovlivňována následujícími faktory:

- ▶ Okolní teplota
- ▶ Množství uložených láhví
- ▶ Četnost otvírání dvířek
- ▶ Umístění spotřebiče

Výchozí nastavení je 12 °C.

Až přestane blikat displej, vrátí se k zobrazování aktuální teploty uvnitř vinného sklípku. Bude chvíli trvat, než se dosáhne nastavené teploty.

9. Funkce °C/°F

Stisknutím tlačítka  lze přepínat mezi stupni Fahrenheita a Celsia.

10. Funkce paměti při vypnutí

Pokud dojde k výpadku napájení, sklípek automaticky uloží nastavenou teplotu. Až se obnoví dodávka energie, sklípek poběží s teplotou nastavenou před výpadkem napájení.

11. Funkce kompenzace nízké teploty

Vinný sklípek má funkci kompenzace nízké teploty, která zajišťuje stabilní teplotu: Když je okolní teplota nižší než nastavená teplota, vinný sklípek automaticky spustí funkci kompenzace nízké teploty a spotřebič se začne vytápět. Až teplota ve spotřebiči dosáhne nastavené teploty, funkce kompenzace nízké teploty se automaticky vypne.

12. Alarm při otevření dvířek

Jestliže zůstanou dvířka otevřená déle než 1 minutu, spustí se akustický alarm a bude se ozývat pípání, dokud nezavřete dvířka nebo nestisknete nějaké tlačítko na panelu displeje.

13. Zobrazování vlhkosti

Na 3 sekundy stiskněte tlačítko , na displeji se zobrazí vlhkost. Potom, po stisknutí jiného tlačítka, zobrazená vlhkost zmizí.

14. Nastavení režimu Wi-Fi

PŘIPOJENÍ PARAMETRY BEZDRÁTOVÉHO PŘENOSU

Technologie	Wi-Fi	Bluetooth
Standard	IEEE 802.11 b/g/n	Bluetooth v4.2, BR/EDR, BLE
Frekvenční pásmo [MHz]	2401–2483	2402–2480
Maximální výkon [mW]	100	10

INFORMACE O VÝROBKU

Jak aktivovat modul Wi-Fi:

- Stisknutím světelného tlačítka na 3 sekundy aktivujete bezdrátový přenos
- Zapne se modul Wi-Fi a začne blikat ikona Wi-Fi
- Pokud je vinný sklípek registrován, ale Wi-Fi je vypnuté, ikona bude blikat
- Pokud je vinný sklípek registrován a připojen, ikona Wi-Fi bude nepřetržitě svítit
- Chcete-li resetovat Wi-Fi, na 3 sekundy stiskněte světelné tlačítko

POSTUP PÁROVÁNÍ S APLIKACÍ

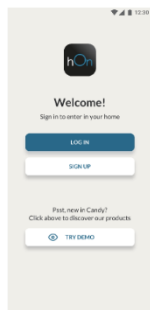
Krok 1

- Stáhněte si aplikaci hOn z obchodu s aplikacemi



Krok 2

- Zaregistrujte se, nebo se přihlaste



Krok 3

- Přidejte nový spotřebič tak, že ze seznamu vyberete vinný sklípek



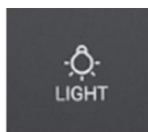
Krok 4

- Naskenujte kód QR, nebo ručně zadejte sériové číslo



Krok 5

- Stisknutím světelného tlačítka na spotřebiči na 3 s aktivujte Wi-Fi



Krok 6

- Ikona Wi-Fi bude blikat, což znamená, že probíhá párování
- Máte 5 minut na dokončení párování
- Po dokončení tohoto postupu přestane ikona Wi-Fi blikat a bude nepřetržitě svítit

POZNÁMKA





Tipy pro úsporu energie

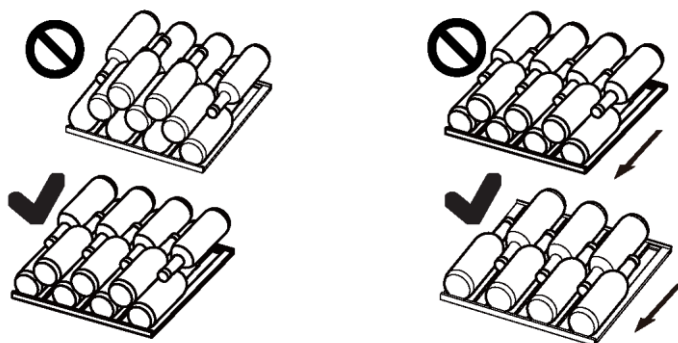
- ▶ Zajistěte, aby měl spotřebič náležité větrání (viz INSTALACE).
- ▶ Neinstalujte spotřebič na přímé sluneční světlo nebo do blízkosti zdrojů tepla (např. sporáků nebo ohřivačů).
- ▶ Vyhýbejte se zbytečně nízké teplotě uvnitř spotřebiče. Čím nižší je nastavená teplota ve spotřebiči, tím vyšší je spotřeba energie.
- ▶ Otvírejte dvířka spotřebiče co nejméně a na co nejkratší dobu.
- ▶ Nepřekračujte stanovené množství láhví, aby se nenarušilo proudění vzduchu.
- ▶ Udržujte těsnění dvířek v čistém stavu, aby se dvířka vždy správně zavírala.

1. Police


1. Police jsou navrženy tak, aby umožňovaly snadné ukládání a vyndávání vína. Lze je čistit měkkou utěrkou.
2. Běžné láhve o průměru 76 mm lze skládat na sebe.
3. Láhve Magnum lze skládat na sebe ve spodní polici.
4. Pokud se láhve skládají jinak, množství se může lišit od vyobrazeného počtu.

Rada k uspořádání vašeho vinného skřípku

Doporučujeme, aby počet láhví v každé polici nepřekročil dvě vrstvy. Nesmí se překročit nosnost polic na víno, což je 20 kg. Před vkládáním láhví do vinného skřípku ověřte, zda jsou police na víno zcela stabilní. Navíc ověřte, zda nějaké láhve nevyčnívají z polic, aby při zavírání nenarazily do skleněných dvířek.



2. Světlo

Po otevření dvířek se rozsvítí světlo LED osvětlující interiér. Chcete-li rozsvítit světlo, když jsou dvířka zavřena, stiskněte tlačítko . Dalším stisknutím tohoto tlačítka zhasnete světlo. Když se do vinného skřípku nedíváte, světla by měla být zhasnutá, aby se zvýšila energetická účinnost.

3. Zámek

Chcete-li zamknout vinný skřípek, zavřete dvířka a vložte klíč do zámku:

- ▶ Zamkněte dvířka otočením klíče doleva.
- ▶ Odemkněte dvířka otočením klíče doprava.

1. Odmrazování

Vinný sklípek se odmrazuje automaticky; není nutný žádný ruční zásah.

2. Výměna žárovky LED

Jako zdroj světla v žárovce se používají diody LED, které se vyznačují nízkou spotřebou energie a dlouhou životností. Pokud se vyskytne nějaký neobvyklý stav, kontaktujte zákaznický servis. Viz ZÁKAZNICKÝ SERVIS.



VAROVÁNÍ!

Nevyměňujte žárovku LED vlastními silami. Její výměnu musí provést buď výrobce, nebo autorizovaný servisní zástupce.

Parametry žárovky LED:

Napětí 12 V; max. výkon: 8 W (pro HWS77GDAU1)

Napětí 12 V; max. výkon: 5 W (pro HWS42GDAU1)

3. Když se spotřebič delší dobu nepoužívá

Vytáhněte napájecí kabel ze zásuvky.

Vyčistěte spotřebič a těsnění dvířek podle výše uvedeného popisu.

Nechte dvířka otevřená, aby se uvnitř nevytvořil zápach.

4. Přemístování spotřebiče

1. Vyjměte všechny láhve a odpojte spotřebič od napájení.
2. Pripevněte police a ostatní pohyblivé součásti ve vinném sklípku lepicí páskou.
3. Nenaklánějte vinný sklípek v úhlu větším než 45°, aby se předešlo poškození chladicího systému.

5. Výměna vzduchu skrz filtr s aktivním uhlím

Způsob zrání vína závisí na podmínkách prostředí. Proto má kvalita vzduchu rozhodující význam pro uchovávání vína. Ve spodní části zadní stěny spotřebiče je nainstalován filtr s aktivním uhlím, aby byla udržována optimální kvalita procházejícího vzduchu.



Upozornění

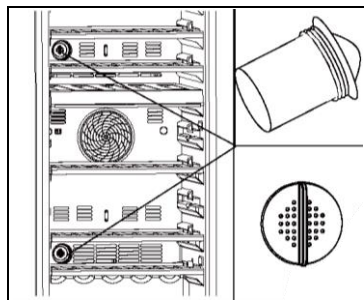
Doporučujeme měnit filtr jednou ročně. Filtry získáte od svého prodejce.

Výměna filtru:

Uchopte filtr za držadlo. Otočte ho doleva a vyjměte ho.

Vkládání filtru:

Vložte filtr s držadlem ve svislé poloze. Otočte ho doprava a zasuňte ho dovnitř.



Mnoho problémů můžete vyřešit sami bez konkrétních odborných znalostí. V případě nějakého problému zkontrolujte všechny možnosti a řiďte se níže uvedenými pokyny, než se obrátíte na poprodejní servis. Viz ZÁKAZNICKÝ SERVIS.



VAROVÁNÍ!

- ▶ Před zahájením údržby vypněte spotřebič a vytáhněte zástrčku napájecího kabelu ze síťové zásuvky.
- ▶ Servis elektrického zařízení by měli provádět pouze kvalifikovaní elektrikáři, protože nepatřičné opravy by mohly vést k vážným následným škodám.
- ▶ Poškozený napájecí kabel by měl vyměnit pouze výrobce, jeho servisní zástupce nebo osoby s podobnou kvalifikací, aby se vyloučilo riziko.

Chybový kód	Příčina	Řešení
rH	Když teplota v horním vnitřním prostoru překračuje 25 °C po dobu 3 hodin, spotřebič signalizuje varování před vysokou teplotou.	Okolní teplota je příliš vysoká. Pracovní teplota spotřebiče by měla být mezi 10 °C a 38 °C.
rL	Když teplota klesne pod 0 °C, kompresor přestane pracovat. Varování před nízkou teplotou je signalizováno v případě, že teplota byla po dobu 2 hodin nižší než 0 °C.	Okolní teplota je příliš nízká. Pracovní teplota spotřebiče by měla být mezi 10 °C a 38 °C.

Problém	Možná příčina	Možné řešení
Kompresor nepracuje.	<ul style="list-style-type: none"> • Síťová zástrčka není zapojena do síťové zásuvky. 	<ul style="list-style-type: none"> • Zapojte síťovou zástrčku.
Spotřebič se spouští často, nebo běží příliš dlouho.	<ul style="list-style-type: none"> • Venkovní teplota je příliš vysoká. • Spotřebič byl určitou dobu vypnutý. • Dvířka spotřebiče nejsou těsně zavřená. • Dvířka se otvírala příliš často, nebo byla příliš dlouho otevřená. • Těsnění dvířek je znečištěné, opotřebené, popraskané nebo nesprávně nainstalované. • Není zaručena požadovaná cirkulace vzduchu. • Je nastavena příliš nízká teplota. 	<ul style="list-style-type: none"> • V tomto případě je normální, že spotřebič běží déle. • Normálně chvíli trvá, než se spotřebič úplně ochladí. • Zavřete dvířka a ujistěte se, že spotřebič je umístěn na rovné zemi a dvířkům nepřekáží žádné potraviny nebo nádoby. • Neotvírejte dvířka příliš často. • Vyčistěte těsnění dvířek, nebo ho nechte vyměnit zákaznickým servisem. • Zajistěte odpovídající větrání. • Problém se vyřeší sám, až bude dosaženo požadované teploty.
Vnitřek vinného sklípku je znečištěný a/nebo zapáchá.	<ul style="list-style-type: none"> • Je třeba vyčistit vnitřek vinného sklípku. 	<ul style="list-style-type: none"> • Vyčistěte vnitřek vinného sklípku.
Uvnitř spotřebiče není dostatečně chladno.	<ul style="list-style-type: none"> • Je nastavena příliš vysoká teplota. • Nedávno byly přidány nějaké láhve. • Dvířka spotřebiče nejsou těsně zavřená. • Dvířka se otvírala příliš často, nebo byla příliš dlouho otevřená. • Těsnění dvířek je znečištěné, opotřebené, popraskané nebo nesprávně nainstalované. 	<ul style="list-style-type: none"> • Znovu nastavte teplotu. • Vyčkejte, než nedávno přidané láhve dosáhnou požadované teploty. • Zavřete dvířka. • Neotvírejte dvířka příliš často. • Vyčistěte těsnění dvířek, nebo ho nechte vyměnit zákaznickým servisem.
Uvnitř spotřebiče je příliš chladno.	<ul style="list-style-type: none"> • Je nastavena příliš nízká teplota. 	<ul style="list-style-type: none"> • Znovu nastavte teplotu.
Tvoření vlhkosti na vnitřním povrchu chladičho prostoru.	<ul style="list-style-type: none"> • Prostředí je příliš teplé a vlhké. • Dvířka spotřebiče nejsou těsně zavřená. • Dvířka se otvírala příliš často, nebo byla příliš dlouho otevřená. 	<ul style="list-style-type: none"> • Zvyšte teplotu. • Zavřete dvířka. • Neotvírejte dvířka/přihrádku příliš často.

Problém	Možná příčina	Možné řešení
Na vnějším povrchu vinného sklípku se hromadí vlhkost.	<ul style="list-style-type: none"> • Prostředí je příliš teplé a vlhké. • Dvířka nejsou těsně zavřená. Chladný vzduch ve spotřebiči a teplý vnější vzduch, dochází ke kondenzaci. 	<ul style="list-style-type: none"> • Jedná se o normální jev ve vlhkém prostředí; až se sníží vlhkost, situace se změní. • Ujistěte se, že dvířka jsou těsně zavřená a těsnění správně přiléhá.
Spotřebič vydává neobvyklé zvuky.	<ul style="list-style-type: none"> • Spotřebič nestojí na rovné zemi. • Spotřebič se dotýká nějakého předmětu v jeho okolí. 	<ul style="list-style-type: none"> • Seřídte nohy, aby stál spotřebič rovně. • Odstraňte předměty z okolí spotřebiče.
Ozývá se slabý zvuk podobný proudění vody.	<ul style="list-style-type: none"> • Jedná se o normální jev 	<ul style="list-style-type: none"> • –
Nefunguje osvětlení interiéru nebo chladicí systém.	<ul style="list-style-type: none"> • Síťová zástrčka není zapojena do síťové zásuvky. • Napájení nemá správné parametry. • Žárovka LED je porouchaná. 	<ul style="list-style-type: none"> • Zapojte síťovou zástrčku. • Zkontrolujte přívod elektrického napájení do místnosti. Zavolejte místnímu dodavateli elektřiny. • Zavolejte servis se žádostí o výměnu.
Boční strany chladiče a lišta na dvířkách jsou teplé.	<ul style="list-style-type: none"> • Jedná se o normální jev. 	<ul style="list-style-type: none"> • –
Dvířka se správně nezavírají.	<ul style="list-style-type: none"> • Spotřebič nestojí rovně. • Dvířka jsou blokována. 	<ul style="list-style-type: none"> • Vyrovnajte spotřebič pomocí vyrovnávacích noh. • Zkontrolujte, zda láhve nebo police neblokují dvířka.

Informační list výrobku podle nařízení EU č. 1060/2010

Značka	Haier	Haier
Název/označení modelu	HWS42GDAU1	HWS77GDAU1
Jmenovitá kapacita v počtu láhví	42	77
Kategorie chladicího spotřebiče pro domácnost	2	2
Třída energetické účinnosti	A	A
Roční spotřeba energie (kWh/rok) ¹⁾	142	152
Užitný objem (l)	106	190
Klimatická třída: Tento spotřebič je určen k používání při teplotě okolí mezi 10 °C a 38 °C.	SN N ST	SN N ST
Emise hluku šířeného vzduchem (db(A) re 1 pW)	37	37
Typ spotřebiče	Volně stojící	Volně stojící
Tento spotřebič je určen výhradně k ukládání vína.	Ano	Ano
Rozměry (H/Š/V v mm)	585/497/820	585/497/1270

Vysvětlení:

- 1) Na základě výsledků standardní zkoušky za 24 hodin. Skutečná spotřeba energie závisí na aktuálním prostředí, množství láhví, nastavené teplotě, otvírání a zavírání dvířek atd.
- 2) Jmenovitá spotřeba energie je hodnota získaná podle standardní zkoušky, když není zapnuto osvětlení interiéru vinného sklípku.

11.3 Normy a směrnice

Tento výrobek splňuje požadavky všech platných směrnic ES s odpovídajícími harmonizovanými normami, které stanoví používání označení CE.

Doporučujeme využívat zákaznický servis společnosti Haier a používat originální náhradní díly.

V případě nějakého problému se spotřebičem si nejprve přečtete část ŘEŠENÍ PROBLÉMŮ.

Pokud v ní nenajdete řešení, kontaktujte

- ▶ místního prodejce nebo
- ▶ navštivte část Servis a podpora na stránkách www.haier.com, kde najdete telefonní čísla a časté otázky týkající se aktivace požadavku na servis.

Chcete-li kontaktovat náš servis, ujistěte se, že máte k dispozici následující údaje. Tyto údaje lze najít na typovém štítku.

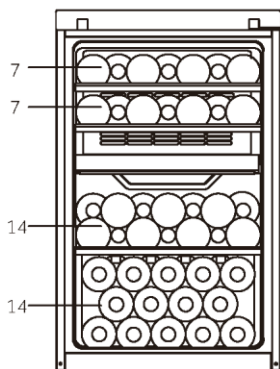
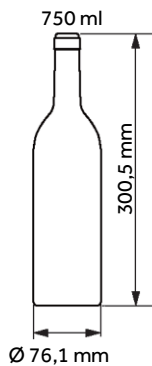
Model _____ Sériové č. _____

V případě záruky se také podívejte do záručního listu dodaného s výrobkem.

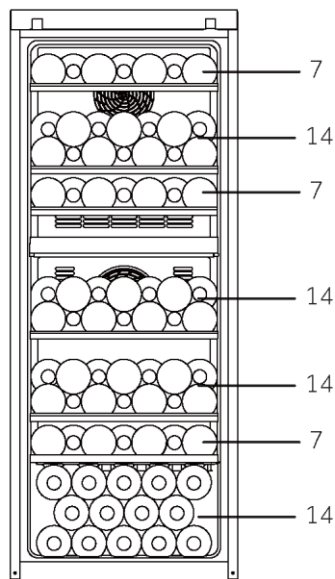
Se všeobecnými dotazy obchodní povahy se v Evropě obračejte na následující adresy:

Evropské adresy společnosti Haier

Země*	Poštovní adresa	Země	Poštovní adresa
Itálie	Haier Europe Trading SRL Via De Cristoforis, 12 21100 Verese ITALY	Francie	Haier France SAS 3-5 rue des Gravier 92200 Neuilly sur Seine FRANCE
Španělsko Portugalsko	Haier Iberia SL Pg. Garcia Faria, 49-51 08019 Barcelona SPAIN	Belgie-FR Belgie-NL Nizozemsko Lucembursko	Haier Benelux SA Anderlecht Route de Lennik 451 BELGIUM
Německo Rakousko	Haier Deutschland GmbH Hewlett-Packard-Str. 4 D-61352 Bad Homburg GERMANY	Polsko Česká republika Maďarsko Řecko Rumunsko Rusko	Haier Poland Sp. zo.o. Al. Jerozolimskie 181B 02-222 Warszawa POLAND
Spojené království	Haier Appliances UK Co. Ltd. One Crown Square Church Street East Woking, Surrey, GU21 6HR UK		



HWS42GDAU1
(42)



HWS77GDAU1
(77)

HWS-42GDAU1-77GDAU1-EN

Haier