



User Manual

Wine Cellar

WS53GDA

GB

Thank you for purchasing a Haier Product.

Please read these instructions carefully before using this appliance. The instructions contain important information which will help you get the best out of the appliance and ensure safe and proper installation, use and maintenance.

Keep this manual in a convenient place so you can always refer to it for the safe and proper use of the appliance.

If you sell the appliance, give it away, or leave it behind when you move house, make sure you also pass this manual so that the new owner can become familiar with the appliance and safety warnings.

Legend



Warning – Important Safety information



General information and tips



Environmental information

Disposal



Help protect the environment and human health. Put the packaging in applicable containers to recycle it. Help to recycle waste of electrical and electronic appliances. Do not dispose appliances marked with this symbol with the household waste. Return the product to your local recycling facility or contact your municipal office.

Doors and seals must be removed before disposal, so that children don't lock themselves in.



WARNING!

Risk of injury or suffocation!

Refrigerants and gases must be disposed of professionally. Ensure that the tubing of the refrigerant circuit is not damaged before being properly disposed of. Disconnect the appliance from the mains supply. Cut off the mains cable and dispose of it. Remove the shelves and water box as well as the door lock and seals, to prevent children and pets from getting locked in the appliance.

- 1- Safety information 4
- 2- Intended use 7
- 3- Product description 8
- 4- Control panel..... 9
- 5- Installation 10
- 6- Use..... 13
- 7- Energy saving tips 15
- 8 - Equipment 16
- 9- Care and cleaning 17
- 10- Troubleshooting 19
- 11- Technical data 22
- 12- Customer Service 23

Before switching on the appliance for the first time read the following safety hints!:



WARNING!

Before first use

- ▶ Make sure there is no transport damage.
- ▶ Remove all packaging and keep out of children's reach.
- ▶ If your wine cellar has been tilted for any reason, wait 24 hours before plugging it in.
- ▶ Handle the appliance always with at least two persons because it is heavy.

Installation

- ▶ The appliance should be placed in a well-ventilated place. Ensure a space of at least 10 cm around the appliance. It is designed for free-standing installation only, not for built-in installation.
- ▶ Never place the appliance in a damp area or location where it might be splashed with water. Clean and dry water splashes and stains with a soft clean cloth.
- ▶ Do not install your wine cellar in any location not properly insulated or heated e.g. garage etc. Your wine cellar was not designed to operate in ambient temperature below 16 °C.
- ▶ Do not install the appliance in direct sunlight or near heat sources (e.g. stoves, heaters).
- ▶ Install and level the appliance in an area suitable for its size and use.
- ▶ Keep ventilation openings in the appliance or in the in-built structure clear of obstruction.
- ▶ Make sure that the electrical information on the rating plate agrees with the power supply. If it does not, contact an electrician.
- ▶ The appliance is operated by a 220-240 VAC/50 Hz power supply. Abnormal voltage fluctuation may cause the appliance to fail to start, or damage the temperature control or compressor, or an abnormal noise when operating. In such a case, an automatic regulator shall be mounted.
- ▶ Use a separate, easily-accessible, earthed socket for the power supply. The appliance must be earthed.
- ▶ **Only for UK:** The appliance's power cable is fitted with a 3-cord (grounding) plug that fits a standard 3-cord (grounded) socket. Never cut off or dismantle the third pin (grounding). After the appliance is installed, the plug should be accessible.
- ▶ Do not use multi-plug adapters and extension cables.
- ▶ Ensure that the power cable is not trapped by the wine cellar. Do not step on the power cable.



WARNING!

Daily use

- ▶ This appliance can be used by children aged from 8 years and above and persons with reduced physical, sensory or mental capabilities or lack of experience and knowledge if they have been given supervision or instruction concerning use of the appliance in a safe way and understand the hazards involved.
- ▶ Keep children under 3 years of age away from the appliance unless they are constantly supervised.
- ▶ Children must not play with the appliance.
- ▶ If cool gas or other inflammable gas is leaking in the vicinity of the appliance, turn off the valve of the leaking gas, open the doors and windows and do not unplug a plug in the power cable of the wine cellar or any other appliance.
- ▶ Notice that the appliance is set for operation at a specific ambient range between 16 °C and 38 °C. The appliance may not work properly if it is left for a long period at a temperature above or below the indicated range.
- ▶ Do not place unstable articles (heavy objects, containers filled with water) on top of the wine cellar to avoid personal injury caused by falling or electric shock caused by contact with water.
- ▶ Open and close the doors only with the handles. The gap between the doors and between the doors and the cooler is very narrow. Do not put your hands in these areas to avoid pinching your fingers. Open or close the wine cellar doors only when there are no children standing within the range of door movement.
- ▶ Do not store or use inflammable, explosive or corrosive materials in the appliance or in the vicinity.
- ▶ Do not store explosive substances, such as e.g. aerosol containers with flammable propellant in this appliance.
- ▶ Do not store medicines, bacteria or chemical agents in the appliance. This appliance is a household appliance. It is not recommended to store materials that require strict temperatures.
- ▶ For proper wine cooling, do not overload the appliance.
- ▶ Do not damage the refrigerant circuit.
- ▶ Do not set an unnecessarily low temperature in the wine cellar.
- ▶ Unplug the appliance in the event of a power interruption or before cleaning. Allow at least 5 minutes before restarting the appliance, as frequent starting may damage the compressor.



WARNING!

Daily use

- ▶ Do not use electrical devices inside the compartments of the appliance, unless they are recommended by the manufacturer.

Maintenance/cleaning

- ▶ Make sure children are supervised if they carry out cleaning and maintenance.
- ▶ Disconnect the appliance from the electrical supply before undertaking any routine maintenance. Allow at least 5 minutes before restarting the appliance, as frequent starting may damage the compressor.
- ▶ Hold the plug, not the cable, when unplugging the appliance.
- ▶ If the supply cord is damaged, it must be replaced by the manufacturer, its service agent or similarly qualified persons in order to avoid a hazard.
- ▶ Do not try to repair, disassemble or modify the appliance yourself. In case of repair please contact our customer service.
- ▶ Eliminate the dust on the back of the unit at least once a year to avoid hazard by fire, as well as increased energy consumption.
- ▶ Do not spray or flush the appliance during cleaning.
- ▶ Do not use water spray or steam to clean the appliance.
- ▶ Do not clean the cold glass doors with hot water. Sudden temperature change may cause the glass to break.

Refrigerant gas information



WARNING!

The appliance contains the flammable refrigerant ISOBUTANE (R600a). Make sure the refrigerant circuit is not damaged during transportation or installation. Leaking refrigerant may cause eye injuries or ignite. If a damage has occurred, keep open fire sources away from the appliance, thoroughly ventilate the room, do **not** plug or unplug the power cords of the appliance or any other appliance. Inform the customer service.

In case eyes get into contact with the refrigerant, rinse immediately under running water and call an eye specialist immediately.





2.1 Intended use

This appliance is intended to be used exclusively for the storage of wine. It has been designed exclusively for use in dry-interior households. It is intended strictly for household use. It is not intended for commercial or industrial use.

Changes or modifications to the device are not allowed. Unintended use may cause hazards and loss of warranty claims.

2.2 Accessories

Check the accessories and literature in accordance with this list (Fig. 2.2):

			
2 keys	Energy-label	Warranty card	User manual

2.2

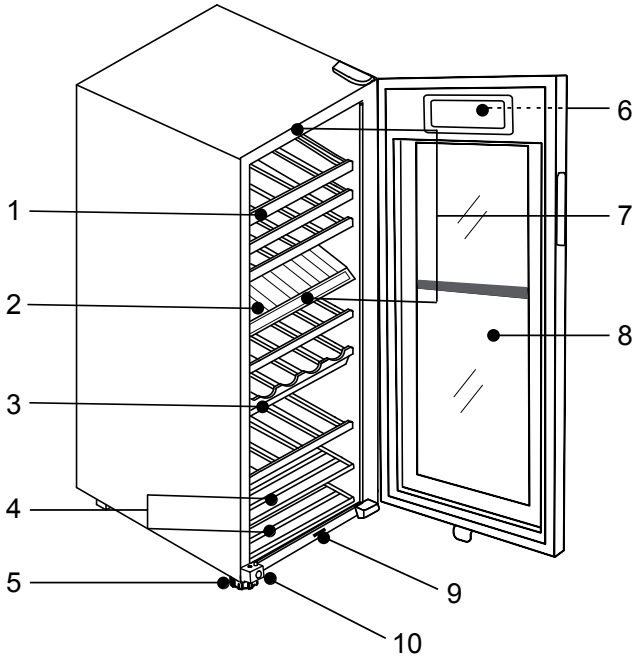


Notice: Differences

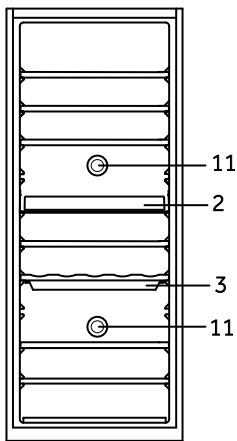
Due to technical changes and different models, some of the illustrations in this manual may differ from your model.

Picture of appliance (Fig. 3.1 and Fig. 3.2)

3.1



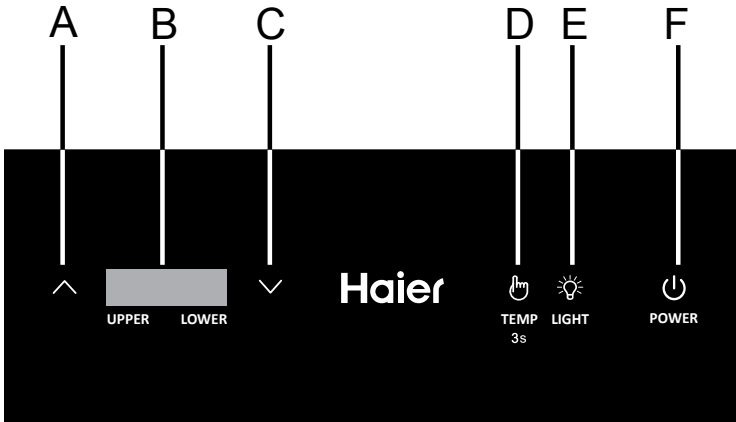
3.2



- 1 Interior shelves
- 2 Middle partition
- 3 Water storage box
- 4 Shorter shelves
- 5 Adjustable leveling feet
- 6 Display (on front of the door)
- 7 LED lamp
- 8 Door
- 9 Light and fan switch
- 10 Lock
- 11 Carbon filters/deodorizer

Control panel (Fig. 4)

4



- A Temperature adjust button: up
- B Temperature display
- C Temperature adjust button: down
- D Temperature set button
- E Interior light button and °C/°F-switch
- F Power button

5.1 Unpacking

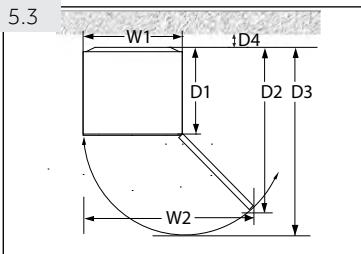


WARNING!

- ▶ The appliance is heavy. Always handle with at least two people.
- ▶ Keep all packaging materials out of children's reach and dispose them in an environmentally friendly manner.
- ▶ Take the appliance out of the packaging.
- ▶ Remove all packaging materials including the the foam base and all adhesive tape holding the accessories.

5.2 Environmental conditions

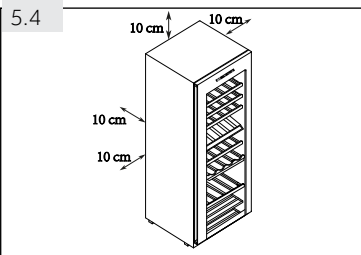
The room temperature should always be between 16 °C and 38 °C, since it can influence the temperature inside the appliance and its energy consumption. Do not install the appliance near other heat-emitting appliances (ovens, refrigerators) without isolation.



5.3 Space requirements

Required space to open the door (Fig. 5.3):

Width in mm		Depth in mm			Distance to wall in mm
W1	W2	D1	D2	D3	D4
500	830	495	890	1015	100



5.4 Ventilation space

For safety and energy reasons, the required ventilation distance of 10 cm in all directions must be observed (Fig. 5.4).



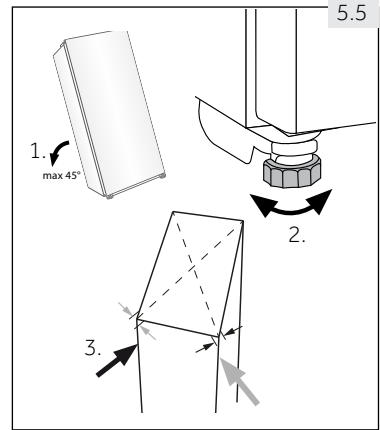
WARNING!

- ▶ Keep ventilation openings in the appliance or in the in-built structure clear of obstruction.

5.5 Aligning the appliance

The appliance should be placed on a flat and solid surface.

1. Tilt the appliance slightly backwards (Fig. 5.5).
2. Set the adjustable front feet to the desired level by turning them.
3. The stability can be checked by alternately bumping on the diagonals. The slight swaying should be the same in both directions. Otherwise the frame can warp; possible leaking door seals are the result. A low tendency to the rear facilitates the closing of the door.

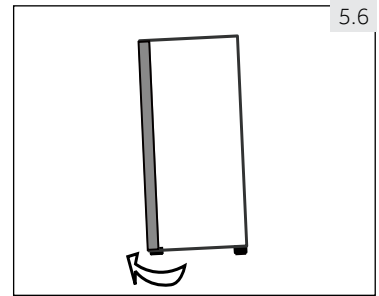


5.6 Fine tuning of the door

The appliance closes more easily if the levelling feet on the front are used:

Rotate the adjustable feet (Fig. 5.6) to turn them up or down:

- ▶ Turning the feet clockwise raises the appliance.
- ▶ Turning the feet counterclockwise lowers the appliance.



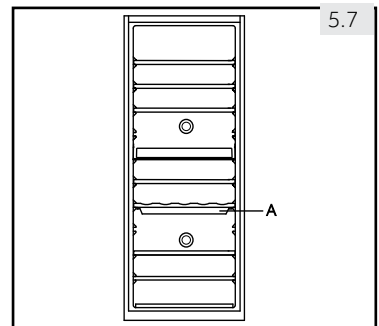
WARNING!

- ▶ Do not lift the appliance by its door handles.
- ▶ Never place the appliance horizontally on the ground.
- ▶ After tilting the appliance more than 45°, wait for 24 hours before plugging it in.

5.7 Filling the water storage box

The water storage box (A in Fig. 5.7) should always be filled to keep up the humidity in the wine cellar. Please add the water before turning the wine cellar on. The water should always cover the bottom of the box when the wine cellar is in use.

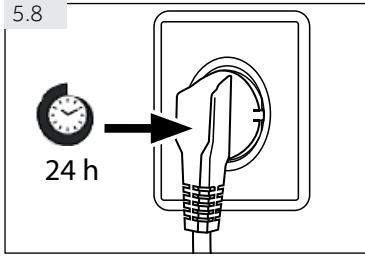
1. Take out the water box.
2. Add water. It should fill about 2/3 of the box.
3. Put the water box back underneath the second shelf of the lower compartment.



WARNING!

- ▶ Before moving the wine cellar, remove the water storage box to avoid spilling.

5.8



5.8 Waiting time

The maintenance-free lubrication oil is located in the capsule of the compressor. This oil can get through the closed pipe system during transport if the appliance is tilted. Before connecting the appliance to the power supply, wait 24 hours (Fig. 5.8) so that the oil runs back into the capsule.

5.9 Electrical connection

Before each connection check if:

- ▶ power supply, socket and fusing are appropriate to the rating plate.
- ▶ the power socket is earthed and no multi-plug or extension.
- ▶ the power plug and socket are fit properly.

Connect the plug to a properly installed household socket.



WARNING!

To avoid risks a damaged power cord must be replaced by the customer service (see warranty card).

6.1 Before first use

- ▶ Remove all packaging materials. This includes the foam base and all adhesive tape holding the wine cellar accessories inside and outside. Keep them out of children's reach and dispose them in an environmentally friendly manner.
- ▶ Clean the inside and outside of the appliance with water and a mild detergent before putting any wine in it.
- ▶ After the appliance has been levelled and cleaned, wait for at least 2 hours before connecting it to the power supply. If your wine cellar has been tilted for any reason, wait 24 hours before plugging it in. See section INSTALLATION.
- ▶ Once you have plugged the unit into an electrical outlet, let the unit run for at least 30 minutes to acclimatize itself before making any adjustments.
- ▶ The temperature is automatically set to 12 °C for both compartments. If desired, you can change the temperature manually. Please see TEMPERATURE.

6.2 Touch keys

The buttons on the control panel are touch keys, which respond when lightly touched with the finger.

6.3 Switching the appliance on/off

To turn the appliance on, press the power button (F) for 3 seconds. To turn it back off, press the power button again.



WARNING!

- ▶ To prolong the service life of the appliance, avoid turning it off.
- ▶ Wait at least 5 minutes to reconnect the power after the power has been disconnected.

When the appliance is powered on for the first time, the actual temperature of the compartment (B) is displayed.



Notice: Presettings

- ▶ Once you have plugged the unit into an electrical outlet, let the unit run for at least 30 minutes to acclimatize itself before making any adjustments
- ▶ When the appliance is switched on after disconnection from the main power supply, it may take several hours for the correct temperatures to be reached. The exact time varies depending on the environment and the temperature setting.



Notice: Memory function during power interruption

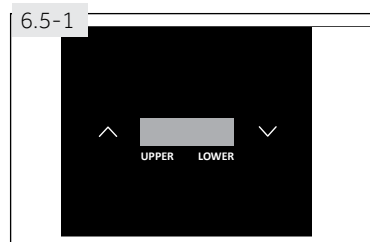
After restoration of power, the appliance continues with the temperature setting that was set before the power failure.

6.4 Standby-mode






The display screen is dimmed automatically 35 seconds after the last key has been pressed. It lights up automatically when any key is touched or the door is opened.

6.5 Temperature


The temperature of the wine cellar is preset to 12 °C. It can be changed to any temperature between 5 °C and 20 °C for the compartments individually.



6.5.1 Setting the temperature (Fig. 6.5-1)

1. Hold the  button for about 3 seconds. The temperature display for the upper compartment starts to flash.
2. Press the  or  button to increase or decrease the temperature. When the desired temperature has been reached, press the  button.
3. The temperature for the upper compartment has been set and the temperature for the lower compartment starts to flash.
4. Repeat step 2 to set the temperature for the lower compartment. Instead of pressing the  button at the end, it is possible to wait 5 seconds without touching the display.
5. When display stops flashing, it goes back to showing the current temperature inside the wine cellar. It will take some time to reach the set temperature.

6.5.2 Switching between Celsius and Fahrenheit

To change the displayed measurement unit, press the  button for about 3 seconds. The displayed temperature will switch from Celsius to Fahrenheit and back.

6.5.3 Low temperature compensation function

The wine cellar has a low temperature compensation function to ensure the stability of the temperature: When the ambient temperature is lower than the set temperature, the wine cellar automatically starts the low-temperature compensation function, heating the application. When the temperature in the application reaches the set temperature, the low temperature compensation function is automatically turned off.



Notice: Influences on temperatures

The temperature inside the appliance is influenced by the following factors:

- ▶ Ambient temperature
- ▶ Amount of stored bottles
- ▶ Frequency of door opening
- ▶ Installation of the appliance

6.5.4 Recommended temperature settings for wine

The following drinking temperatures are recommended for the different types of wine.

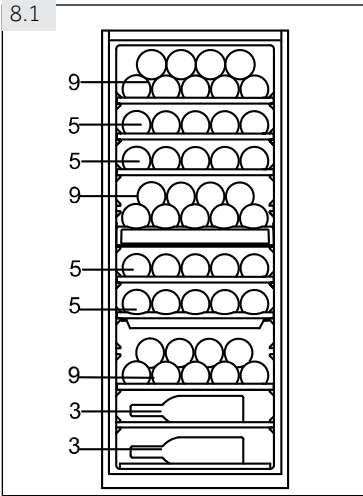
Red wine	+14 °C to +20 °C	Sparkling wine, Prosecco	+7 °C to +9 °C
Rosé wine	+10 °C to +12 °C	Champagne	+5 °C to +7 °C
White wine	+8 °C to +12 °C		

If you store wine for long periods of time, it should be stored at a temperature between +10 °C and +12 °C.



Energy saving tips


- ▶ Make sure the appliance is properly ventilated (see INSTALLATION).
- ▶ Do not install the appliance in direct sunlight or near heat sources (e.g. stoves, heaters).
- ▶ Avoid unnecessarily low temperature in the appliance. The energy consumption increases the lower the temperature in the appliance is set.
- ▶ Open the appliance door as little and as briefly as possible.
- ▶ Do not exceed the designed amount of bottles to avoid obstructing the air flow.
- ▶ Keep door seals clean so that the door always closes correctly.



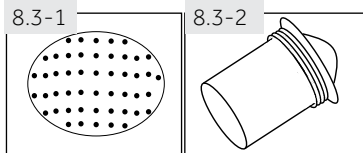
8.1 Shelves

1. The shelves are designed for easy storage and easy removal of the wine. They can be cleaned with a soft towel.
2. Regular bottles with a diameter of 78 mm can be stacked (Fig. 8.1).
3. Magnum bottles can be stacked on the bottom shelf.
4. The quantity can vary from the depicted number of bottles if they are stacked in a different way.

8.2 The light

The LED interior light comes on when the door is opened. To turn on the light while the door is closed, touch the  button. To turn the lights off, touch the button again.

To increase the energy efficiency, the lights should be turned off when the wine cellar is not being viewed.



8.3 Deodorizer

The deodorizer holes (Fig. 8.3-1) on the back of the unit help remove stale, unwanted odours through a carbon filter (Fig. 8.3-2).

8.4 The lock

To lock the wine cellar, close the door and put the key in the lock:

- ▶ Lock the door by turning the key counterclockwise;
- ▶ Unlock the door by turning the key clockwise.



WARNING!

The keys must be kept out of the reach of children and not in the vicinity of the appliance to prevent children from being locked inside the appliance.

8.5 Water storage box

The water storage box should always be filled to maintain the humidity inside the wine cellar. The water should cover the bottom of the box whenever the wine cellar is in use.

Please see INSTALLATION.

**WARNING!**

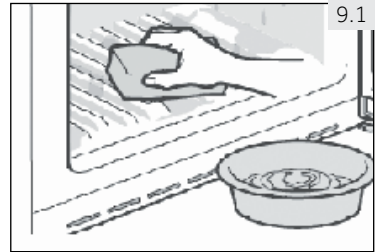
Disconnect the appliance from the power supply before cleaning.

9.1 General

Clean the appliance when only little or no wine is stored. It is only necessary to clean it when it is dirty.

**WARNING!**

- ▶ Do not clean the appliance with hard brushes, wire brushes, detergent powder, petrol, amyl acetate, acetone and similar organic solutions, acid or alkaline solutions. Please clean with special refrigerator detergent to avoid damage.
 - ▶ Do not spray or flush the appliance during cleaning.
 - ▶ Do not use water spray or steam to clean the appliance.
 - ▶ Do not clean the cold glass doors with hot water. Sudden temperature change may cause the glass to break.
-
- ▶ Clean the inside and housing of the appliance with a sponge dampened in warm water and neutral detergent (Fig. 9.1).
 - ▶ A cleaning solution of 3 to 4 tablespoons of baking soda mixed with warm water can be used.
 - ▶ Rinse with clean warm water and dry with soft cloth.
 - ▶ Do not clean any of the parts of the appliance in a dishwasher.
 - ▶ Allow at least 5 minutes before restarting the appliance as frequent starting may damage the compressor.
 - ▶ The door gaskets should be cleaned every 3 months to assure a proper seal.



9.1

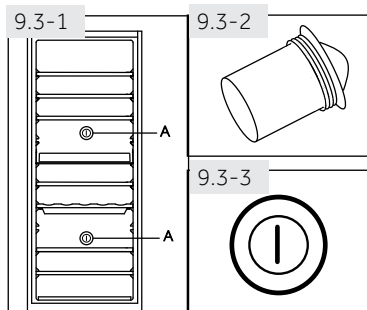
9.2 Cleaning the shelves

All shelves can be taken out for cleaning.

1. Take out all bottles.
2. Lift each shelf a little and take it out.
3. Clean the shelf with a soft towel
4. Wait until the shelves are dry before putting them back in.

**WARNING!**

Wait at least 5 minutes to reconnect the power after the power has been disconnected.



9.3 Changing the deodorizer

The carbon filter should be changed every 3 to 5 years.

1. Take the carbon filter (A) by its handle (Fig. 9.3-1).
2. Turn it to the left and remove it.
3. Insert the new filter (Fig 9.3-2) with the handle in a vertical position (Fig 9.3-3).
4. Turn it to the right until it locks into place.

9.4 Defrosting

The defrosting of the wine cellar is done automatically; no manual operation is needed.

9.5 Replacing the LED lamp

The lamp uses LED as its light source, featuring low energy consumption and long service life. If there is any abnormality, please contact the customer service. See CUSTOMER SERVICE.



WARNING!

Do not replace the LED lamp yourself. It must only be replaced by either the manufacturer or the authorised service agent.

Parameters of LED lamp:

Voltage 12 V; Max power: 0.72 W

9.6 Non-use for a longer period

- ▶ Unplug the power cord.
- ▶ Clean the appliance and door gaskets as described above.
- ▶ Keep the door open to prevent the creation of bad odours inside.

9.7 Moving the appliance

1. Remove all bottles and unplug the appliance.
2. Secure shelves and other moveable parts in the wine cellar with adhesive tape.
3. Remove the water storage box to avoid spilling.
4. Do not tilt the wine cellar more than 45° to avoid damaging the refrigerating system.



WARNING!

- ▶ Do not lift the appliance by its door handles.
- ▶ Never place the appliance horizontally on the ground.
- ▶ After moving the appliance, wait for 24 hours before plugging it in.

You can solve many occurring problems yourself without specific expertise. In case of a problem please check all shown possibilities and follow below instructions before contacting an after sales service. See CUSTOMER SERVICE.



WARNING!

- ▶ Before maintenance, deactivate the appliance and disconnect the mains plug from the mains socket.
- ▶ Electrical equipment should be serviced only by qualified electrical experts, because improper repairs can cause considerable consequential damages.
- ▶ A damaged supply should only be replaced by the manufacturer, its service agent or similarly qualified persons in order to avoid a hazard.

10.1 Troubleshooting with display code



Note: Troubleshooting

- ▶ If an error code appears, please press the power button to get rid of it. If it keeps appearing, pull out the power plug and contact customer service.
- ▶ In case you are asked to contact the customer service: Note the troubleshooting message and refer to "CUSTOMER SERVICE".

Error code	Cause	Solution
E1	Short or broken circuit of the low temperature sensor.	Please contact the after sales services to change the sensor.
F4	Short or broken circuit of the sensor in the upper compartment.	
F5	Short or broken circuit of the sensor in the lower compartment.	
H1	The appliance gives a high-temperature warning when the upper compartment's temperature has been higher than 25 °C for 3 hours.	Ambient temperature is too high. The appliance working temperature should be between 16 °C and 38 °C.
H2	The appliance gives a high-temperature warning when the lower compartment's temperature has been higher than 25 °C for 3 hours.	
L1	The compressor stops working when the temperature of the upper compartment is lower than 0 °C. The low-temperature warning is given when the temperature has been lower than 0 °C for 2 hours.	Ambient temperature is too low. The appliance working temperature should be between 16 °C and 38 °C.
L2	The compressor stops working when the temperature of the lower compartment is lower than 0 °C. The low-temperature warning is given when the temperature has been lower than 0 °C for 2 hours.	

10.2 Troubleshooting without display code

Problem	Possible Cause	Possible Solution
The compressor does not work.	<ul style="list-style-type: none"> Mains plug is not connected to the mains socket. 	<ul style="list-style-type: none"> Connect the mains plug.
The appliance runs frequently or runs for a too long period of time.	<ul style="list-style-type: none"> The indoor or outdoor temperature is too high. The appliance has been off power for a period of time. A door of the appliance is not tightly closed. The door has been opened too frequently or for too long. The door gaskets are dirty, worn, cracked or mismatched. The required air circulation is not guaranteed. The temperature is set too low. 	<ul style="list-style-type: none"> In this case, it is normal for the appliance to run longer. Normally, it takes a while for the appliance to cool down completely. Close the door and ensure the appliance is located on a level ground and there is no food or container jarring the door. Do not open the door too frequently. Clean the door gasket or replace them by the customer service. Ensure adequate ventilation. The problem will resolved itself when the desired temperature has been reached.
The inside of the wine cellar is dirty and/or smells.	<ul style="list-style-type: none"> The inside of the wine cellar needs cleaning. 	<ul style="list-style-type: none"> Clean the inside of the wine cellar.
It is not cold enough inside the appliance.	<ul style="list-style-type: none"> The temperature is set too high. Bottles have been added recently. A door of the appliance is not tightly closed. The door has been opened too frequently or for too long. The door gaskets are dirty, worn, cracked or mismatched. 	<ul style="list-style-type: none"> Reset the temperature. Allow time for recently added bottles to reach desired temperature. Close the door. Do not open the door too frequently. Clean the door gasket or replace them by the customer service.
It is too cold inside the appliance.	<ul style="list-style-type: none"> The temperature is set too low. 	<ul style="list-style-type: none"> Reset the temperature.
Moisture formation on the inside of the wine cellar compartment.	<ul style="list-style-type: none"> The climate is too warm and too damp. A door of the appliance is not tightly closed. The door has been opened too frequently or for too long. 	<ul style="list-style-type: none"> Increase the temperature. Close the door. Do not open the door too frequently.

Problem	Possible Cause	Possible Solution
Moisture accumulates on the wine cellar's outside surface	<ul style="list-style-type: none"> The climate is too warm and too damp. The door is not closed tightly. The cold air in the appliance and the warm air outside it condensates. 	<ul style="list-style-type: none"> This is normal in damp climate and will change when the humidity decreases. Ensure that the door is shut tightly and that the gaskets seal properly.
The appliance makes abnormal sounds.	<ul style="list-style-type: none"> The appliance is not located on level ground. The appliance touches some object around it. 	<ul style="list-style-type: none"> Adjust the feet to level the appliance. Remove objects around the appliance.
A slight sound is to be heard similar to that of flowing water.	<ul style="list-style-type: none"> This is normal. 	<ul style="list-style-type: none"> -
The interior lighting or cooling system does not work.	<ul style="list-style-type: none"> Mains plug is not connected to the mains socket. The power supply is not intact. The LED-lamp is out of order. 	<ul style="list-style-type: none"> Connect the mains plug. Check the electrical supply to the room. Call the local electricity company! Please call the service for changing the lamp.
The sides of the cooler and door strip get warm.	<ul style="list-style-type: none"> This is normal. 	<ul style="list-style-type: none"> -
The door does not shut properly,	<ul style="list-style-type: none"> The appliance is not level. The door is blocked. 	<ul style="list-style-type: none"> Level the appliance with the leveling feet. Check for blockages like bottles or shelves.

11.1 Product fiche according to regulation EU No. 1060/2010

Trade mark	Haier
Model identifier	WS53GDA
Category of the model	Wine cellar
Household refrigeration category	2
Energy efficiency class	A
Annual energy consumption (kWh/year) ¹⁾	135
Storage volume cooling (L)	-
- of wine storage compartment	172
Storage volume freezing (L)	-
Star rating	-
Lowest storage temperature of wine compartment	5 °C
Frostfree system	-
Climate class: This appliance is intended to be used at an ambient temperature between 16 °C and 38 °C.	ST
Airborne acoustical noise emissions (db(A) re 1pW)	40
Construction type	Freestanding
This appliance is intended to be used exclusively for the storage of wine.	Yes

¹⁾ based on standard test results for 24 hours. Actual energy consumption will depend on how the appliance is used and where it is located.

11.2 Additional technical data

Net volume (L)	172
Voltage / Frequency	220-240 V~/50 Hz
Input power (W)	70
Input current (A)	0.5
Main fuse (A)	0.4
Coolant	R600a
Dimensions (D/W/H in mm)	560/500/1270

11.3 Standards and directives

This product meets the requirements of all applicable EC directives with the corresponding harmonised standards, which provide for CE marking.

We recommend our Haier Customer Service and the use of original spare parts.
If you have a problem with your appliance, please first check section TROUBLESHOOTING.

If you cannot find a solution there, please contact

- ▶ your local dealer or
- ▶ the Service & Support area at www.haier.com where you can find telephone numbers and FAQs and where you can activate the service claim.

To contact our Service, ensure that you have the following data available.
The information can be found on the rating plate.

Model _____ Serial No. _____

Also check the Warranty Card supplied with the product in case of warranty.

For general business enquiries please find our addresses in Europe below:

European Haier addresses			
Country*	Postal address	Country*	Postal address
Italy	Haier Europe Trading SRL Via De Cristoforis, 12 21100 Verese ITALY	France	Haier France SAS 3-5 rue des Gravieres 92200 Neuilly sur Seine FRANCE
Spain Portugal	Haier Iberia SL Pg. Garcia Faria, 49-51 08019 Barcelona SPAIN	Belgium-FR Belgium-NL Netherlands Luxembourg	Haier Benelux SA Anderlecht Route de Lennik 451 BELGIUM
Germany Austria	Haier Deutschland GmbH Hewlett-Packard-Str. 4 D-61352 Bad Homburg GERMANY	Poland Czechia Hungary Greece Romania Russia	Haier Poland Sp. zo.o. Al. Jerozolimskie 181B 02-222 Warszawa POLAND
United Kingdom	Haier Appliances UK Co.Ltd. One Crown Square Church Street East Woking, Surrey, GU21 6HR UK		

*For more information please refer to www.haier.com

WS53GDA_GB_V07_110617

Haier



Návod k použití

Chladnička na víno

WS53GDA

CS

Haier

Děkujeme Vám, že jste si zakoupili spotřebič Haier.

Před použitím spotřebiče si prosím pečlivě pročtete tento návod. V návodu najdete důležité informace, díky nimž budete svůj spotřebič využívat naplno, zajistíte bezpečnou a správnou instalaci, použití a údržbu.

Uchovávejte tento návod na vhodném místě, abyste ho měli vždy po ruce a mohli tak spotřebič používat bezpečně a správně.

Pokud spotřebič prodáte, darujete nebo necháte v domě/bytě např. po stěhování, zajistěte předání návodu, aby se nový majitel spotřebiče mohl seznámit s pokyny pro jeho bezpečné používání.

Popis



Upozornění - Důležité poučení o bezpečnosti



Obecné informace a tipy



Sdělení týkající se životního prostředí

Likvidace



Pomozte chránit životní prostředí a lidské zdraví. Obal spotřebiče vyhodte do příslušného kontejneru, aby mohl být recyklován. Pomozte recyklovat odpad z elektrických a elektronických přístrojů. Nevyhazujte přístroje označené tímto symbolem do běžného odpadu z domácnosti. Vraťte výrobek do místního zařízení pro recyklaci nebo se obraťte na svůj městský úřad.

Dveře a těsnění musí být před likvidací odstraněny, abyste zabránili uzamčení dětí.



UPOZORNĚNÍ!

Nebezpečí zranění nebo udušení!

Chladivo a plyny se musí zlikvidovat profesionálně. Před řádnou likvidací se ujistěte, že potrubí chladicího okruhu není poškozeno. Odpojte spotřebič od elektrické sítě. Odřízněte kabel pro připojení do elektrické sítě a zlikvidujte ho. Aby nedošlo k zavření dětí nebo domácích mazlíčků do spotřebiče, odstraňte police a zásobník na vodu a odmontujte západku dveří a těsnění, aby nedošlo k zavření dětí nebo domácích mazlíčků do spotřebiče.

1- Bezpečnostní informace.....	4
2- Běžný účel použití	7
3- Popis spotřebiče	8
4- Ovládací panel	9
5- Instalace	10
6- Použití	13
7- Tipy na ušetření energie.....	15
8 - Zařízení	16
9- Péče a čištění	17
10- Řešení problémů.....	19
11- Technické údaje	22
12- Zákaznický servis.....	23

Před zapnutím spotřebiče si nejprve přečtěte následující bezpečnostní rady!:



UPOZORNĚNÍ!

Před prvním použitím

- ▶ zkontrolujte, že nedošlo k poškození spotřebiče během přepravy.
- ▶ Odstraňte všechny obaly a držte mimo dosah dětí.
- ▶ Pokud byla vaše chladnička vína nakloněná z jakéhokoli důvodu, před jejím připojením počkejte 24 hodin.
- ▶ S přístrojem manipulujte vždy minimálně ve 2 osobách, protože je těžký.

Instalace

- ▶ Spotřebič umístěte na dobře větraném místě. Zajistěte, aby kolem spotřebiče byla mezera minimálně 10 cm. Je určena pouze jako samostatně stojící instalace, ne jako zabudovaná instalace.
- ▶ Nikdy neumísťujte spotřebič ve vlhkém prostředí nebo na místě, kde by na něj mohla stříkat voda. Kapky vody a skvrny osušte a očistěte s měkkým čistým hadříkem.
- ▶ Neinstalujte svou chladničku vína na žádné místo, které není správně izolované nebo vyhřívané, např. garáž atd. Vaše chladnička vína není určena pro provoz při teplotě okolí nižší než 16 ° C.
- ▶ Neinstalujte spotřebič na přímé sluneční světlo nebo do blízkosti tepelných zdrojů (např. sporák, radiátory).
- ▶ Instalujte a vyrovnejte spotřebič na místě, které odpovídá jeho velikosti a způsobu využití.
- ▶ Udržujte větrací otvory v přístroji nebo ve vestavěné konstrukci čisté a bez překážek.
- ▶ Ujistěte se, že elektrické údaje na výkonnostním štítku souhlasí se sítovým napájením. Pokud tomu tak není, obraťte se na elektrikáře.
- ▶ Spotřebič je provozován na 220-240 VAC/50 Hz napájení. Abnormální kolísání napětí může způsobit, že se spotřebič nepodaří spustit, nebo se poškodí regulace teploty nebo kompresor, nebo při provozu vznikne abnormální hluk. V takovém případě musí být namontován automatický regulátor napětí.
- ▶ K napájení použijte samostatnou snadno přístupnou uzemněnou zásuvku. Spotřebič musí být uzemněný.
- ▶ **Pouze pro Spojené království:** Napájecí kabel spotřebiče je vybaven 3drátovou (zemnicí) zástrčkou, která je vhodná pro standardní 3drátovou (zemnicí) zásuvku. Nikdy neodstraňujte ani nedemontujte třetí kolík (uzemnění). Po instalaci spotřebiče by zásuvka měla zůstat přístupná.
- ▶ Nepoužívejte adaptér s více zásuvkami a prodlužovacími kabely.
- ▶ Zkontrolujte, že chladnička na víno nestojí na napájecím kabelu. Nestoupejte na napájecí kabel.



UPOZORNĚNÍ!

Každodenní používání

- ▶ Spotřebič mohou používat děti od 8 let a osoby se sníženými fyzickými, smyslovými nebo mentálními schopnostmi, nebo osoby s nedostatečnými zkušenostmi a znalostmi, pokud mají nad sebou dohled nebo pokud byly vyškoleny ohledně bezpečného používání spotřebiče a pokud chápou možná rizika.
- ▶ Děti do 3 let udržujte v bezpečné vzdálenosti od spotřebiče, pokud nejsou pod neustálým dohledem.
- ▶ Děti si se spotřebičem nesmějí hrát.
- ▶ Pokud v blízkosti spotřebiče uniká svítiplyn nebo jiný hořlavý plyn, vypněte ventil unikajícího plynu, otevřete dveře a okna a neodpojte nebo nepřipojte síťový kabel chladničky na víno nebo jiného spotřebiče.
- ▶ Věnujte pozornost tomu, že spotřebič je nastavený pro provoz při rozsahu okolní teploty mezi 16 °C a 38 °C. Pokud bude ponechán delší dobu v prostředí, kde je teplota vyšší nebo nižší než je uvedený rozsah, nemusí správně fungovat.
- ▶ Nepokládejte nestabilní předměty (těžké předměty, nádoby s vodou) nahoru na ledničku na víno, abyste zabránili zranění osob způsobené pádem nebo elektrickému šoku způsobenému kontaktem s vodou.
- ▶ Dveře spotřebiče otvírejte a zavírejte pouze klikou. Mezera mezi dveřmi a mezi dveřmi a chladničky je velmi úzká. Nedávejte ruce do těchto míst, abyste se vyhnuli skřípnutí prstů. Dveře lednice na víno otvírejte a zavírejte, pouze pokud v dosahu dveří nestojí děti.
- ▶ Neskladujte nebo nepoužívejte hořlaviny, výbušniny nebo žíravé materiály ve spotřebiči nebo v jeho okolí.
- ▶ Neskladujte v tomto zařízení výbušné látky, jako jsou například aerosolové plechovky s hořlavým hnacím plynem.
- ▶ V spotřebiči neskladujte léky, bakterie nebo chemické látky. Tento spotřebič určený pro domácnost. Nedoporučuje se pro skladování materiálů s požadavkem na přesné teploty.
- ▶ Pro správné chlazení vína nepřetěžujte spotřebič.
- ▶ Nepoškozujte chladicí okruh.
- ▶ Nenastavujte příliš nízké teploty v prostoru chladničky na víno.
- ▶ V případě výpadku napájení nebo před čištěním spotřebič odpojte z napájení. Před tím, než spotřebič znovu zapnete, vyčkejte alespoň 5 minut, protože časté zapínání může poškodit kompresor.
- ▶ Nepoužívejte elektrická zařízení uvnitř skříně spotřebiče, pokud se jedná o přístroje doporučené výrobcem.



UPOZORNĚNÍ!

Údržba/čištění

- ▶ Zajistěte, aby při provádění čištění a údržby byly děti pod dozorem.
- ▶ Před prováděním jakékoli běžné údržby spotřebič odpojte od elektrické sítě. Před tím, než spotřebič znovu zapnete, vyčkejte alespoň 5 minut, protože časté zapínání může poškodit kompresor.
- ▶ Při odpojování spotřebiče od el. napájení táhněte za zástrčku, ne za kabel.
- ▶ Pokud je napájecí kabel poškozen, musí být vyměněn výrobcem, servisním technikem nebo podobně kvalifikovanou osobou, aby nedošlo k úrazu.
- ▶ Nepokoušejte se o opravení, rozebírání nebo modifikaci spotřebiče vlastními silami. V případě nutnosti opravy spotřebiče kontaktujte náš zákaznický servis.
- ▶ Alespoň jednou ročně odstraňte prach ze zadní části spotřebiče, abyste omezili riziko vzniku požáru a také zvýšenou spotřebu energie.
- ▶ Během čištění na spotřebič nestříkejte ani ho neoplachujte.
- ▶ Nepoužívejte při čištění kropicí ani parní spotřebiče.
- ▶ Studené skleněné dveře neomývejte horkou vodou. Náhlá změna teploty by mohla způsobit prasknutí skla.

Informace o chladicím plynu



UPOZORNĚNÍ!

Spotřebič obsahuje hořlavé chladivo ISOBUTAN (R600a). Zkontrolujte, že během přepravy a instalace nedošlo k poškození chladicího okruhu. Prosakující chladivo může způsobit poranění očí nebo se vznítit. Pokud se objeví závada, držte všechny zdroje otevřeného ohně stranou, důkladně vyvětrejte místnost, **nezapojujte ani nevypojujte** síťové kabely žádného spotřebiče v místnosti. Informujte zákaznický servis.

V případě, že chladivo přijde do kontaktu s očima, okamžitě je propláchněte pod tekoucí vodou a zavolejte neprodleně očního lékaře.

2.1- Běžný účel použití

Tento spotřebič je určen výlučně pro skladování vína. Je zkonstruovaný výhradně pro použití v suchém interiéru domácností. Je určen výhradně pro použití v domácnosti. Není určený pro komerční nebo průmyslové využití.

Není dovoleno spotřebič jakkoli měnit nebo upravovat. Nedovolené zacházení může způsobit poruchy a ztrátu záruky.

2.2 Příslušenství

Zkontrolujte příslušenství a textovou dokumentaci podle tohoto seznamu (Obr. 2.2):

2.2



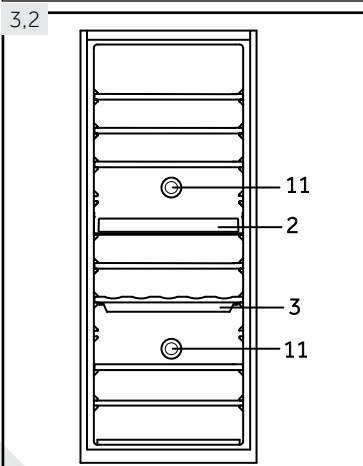
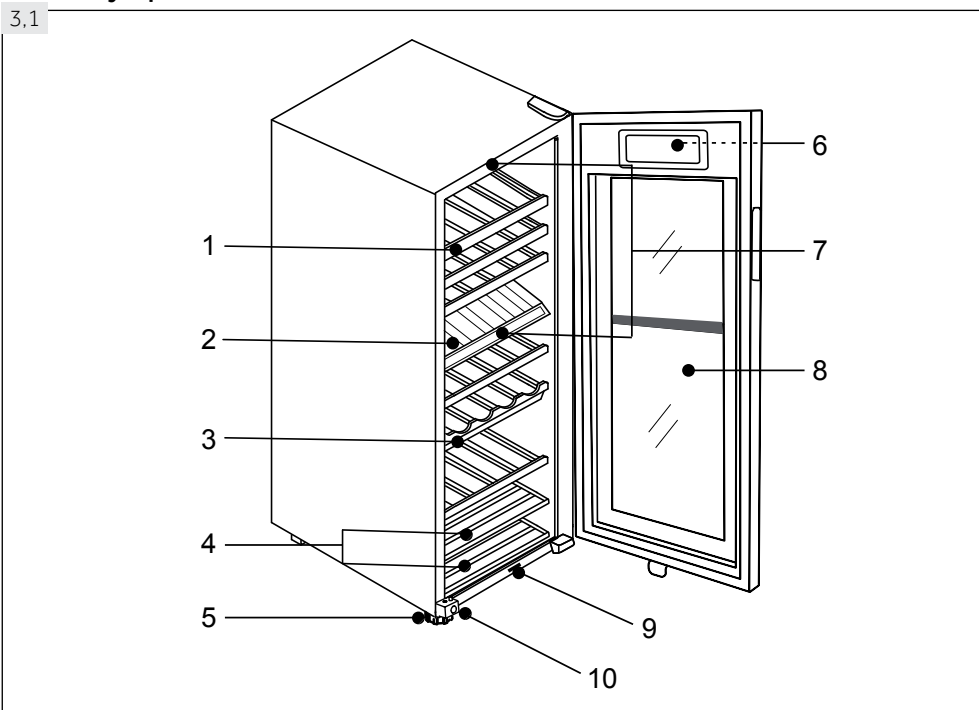
2 Tlačítka

Energetický
štítekZáruční
listUživatelská
příručka

i Poznámka: Rozdíly

Některé ilustrace v tomto manuálu se mohou v důsledku technických změn a rozdílnosti modelů lišit od Vašeho spotřebiče.

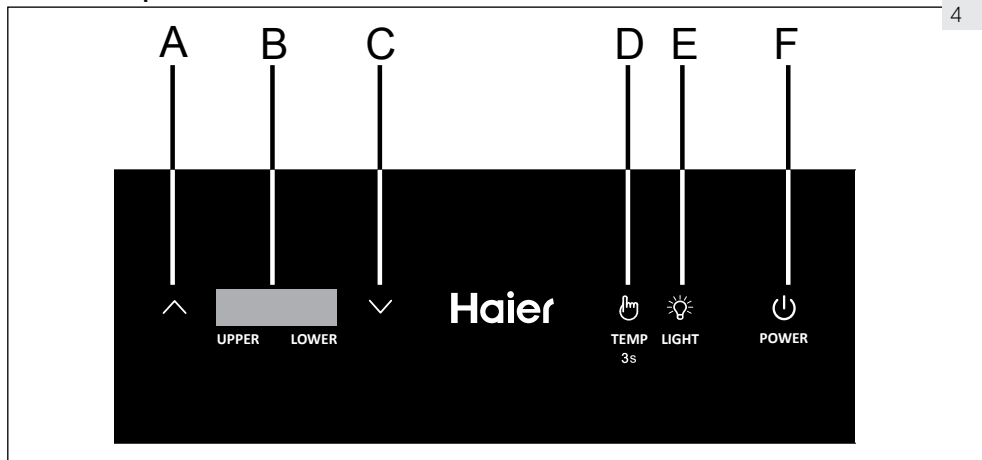
Obrázky spotřebiče (Obr. 3,1 a Obr. 3,2)



- 1 Vnitřní police
- 2 Střední oddíl
- 3 Zásobník na vodu
- 4 Kratší police
- 5 Výškově nastavitelné nožky
- 6 Displej (na přední straně dveří)
- 7 LED osvětlení
- 8 Dveře
- 9 Spínač světla a ventilátoru
- 10 Zámek
- 11 Uhlíkové filtry/deodorizér

Ovládací panel (obr. č. 4)

4



- A Tlačítko pro nastavení teploty: nahoru
- B Zobrazení teploty
- C Tlačítko pro nastavení teploty: dole
- D Tlačítko na volbu teploty:
- E Tlačítko vnitřního osvětlení a °C/°F přepínač
- F Tlačítko zapnutí

5.1 Vybalení

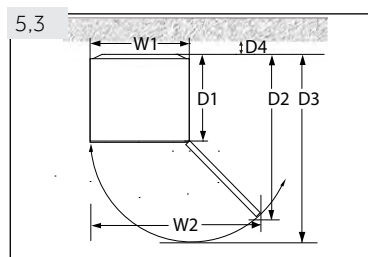


UPOZORNĚNÍ!

- ▶ Spotřebič je těžký. Se spotřebičem manipulujte vždy nejméně ve dvou.
- ▶ Všechny obalové materiály udržujte mimo dosah dětí a zlikvidujte ho způsobem, který je šetrný k životnímu prostředí.
- ▶ Vyjměte spotřebič z obalu.
- ▶ Odstraňte všechny obalové materiály včetně pěnového základu a všech lepicích pásek, které drží příslušenství.

5.2 Podmínky životního prostředí

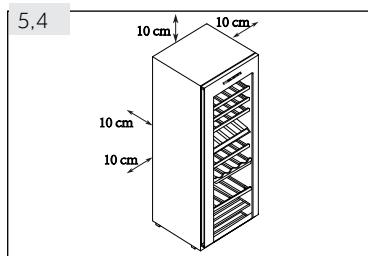
Teplota v místnosti by se měla pohybovat v rozmezí 16 °C až 38 °C, protože může ovlivňovat teplotu uvnitř spotřebiče a spotřebu energie. Neinstalujte spotřebič do blízkosti spotřebičů, které vydávají teplo (sporáky, ledničky), aniž by byl odizolován.



5.3 Prostorové požadavky

Požadovaný prostor na otevření dveří (obrázek 5.3):

Šířka v mm		Hloubka v mm			Vzdálenost ke zdi v mm
W1	W2	D1	D2	D3	D4
500	830	495	890	1015	100



5.4 Ventilační prostor

Z bezpečnostních a energetických důvodů je nutné dodržet požadovanou ventilační vzdálenost 10 cm ve všech směrech (obr. 5.4).



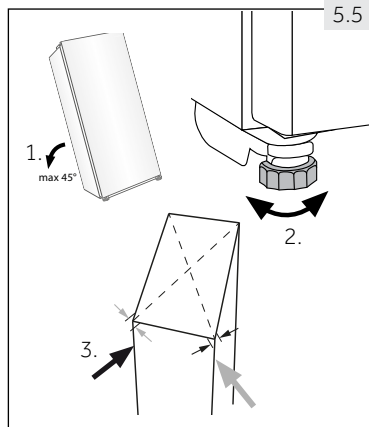
UPOZORNĚNÍ!

- ▶ Udržujte větrací otvory v přístroji nebo ve vestavěné konstrukci čisté a bez překážek.

5.5 Umístění spotřebiče

Spotřebič umístěte na rovný a pevný povrch.

1. Nakloňte spotřebič lehce dozadu (obr. 5.5).
2. Nastavte nastavitelné přední nožičky na požadovanou úroveň otáčením.
3. Stabilitu spotřebiče zkontrolujte tak, že střídavě udeřte do protilehlých stran. Mírné vychýlení by mělo být stejné v obou směrech. V opačném případě by mohlo dojít k deformaci rámu; důsledkem může být netěsnící zavírání dveří. Mírný náklon na zadní stranu usnadňuje zavírání dveří.

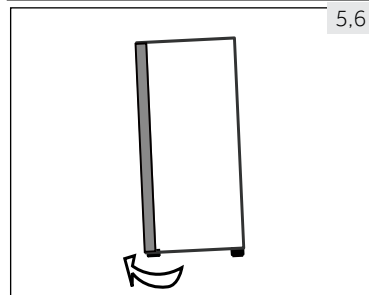


5.6 Jemné doladění dveří

Zařízení se snadněji zavírá, pokud se použijí vyrovnávací nožičky na přední straně:

Otočte nastavitelné nožičky ve směru šipky (obrázek 5.6), abyste je otočili nahoru nebo dolů:

- ▶ Otočení nožiček ve směru hodinových ručiček spotřebič zvedne.
- ▶ Otočení nožiček proti směru hodinových ručiček spotřebič spustí.



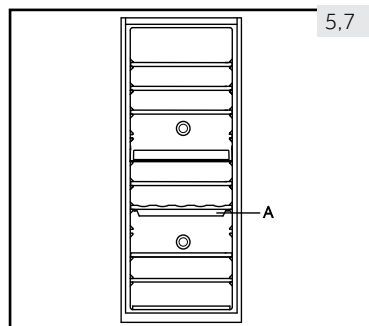
UPOZORNĚNÍ!

- ▶ Spotřebič nezvedejte za kliky dveří.
- ▶ Nikdy nepokládejte spotřebič na podlahu v horizontální poloze.
- ▶ Po naklonění spotřebiče o více než 45°, před připojením spotřebiče počkejte 24 hodin.

5.7 Plnění zásobníku na vodu

Pro zachování vlhkosti v chladničce vína vždy naplňte zásobník na vodu (A na obrázku 5.7). Vodu přidejte před zapnutím chladničky na víno. Voda při používání chladničky na víno vždy musí pokrývat spodní část zásobníku.

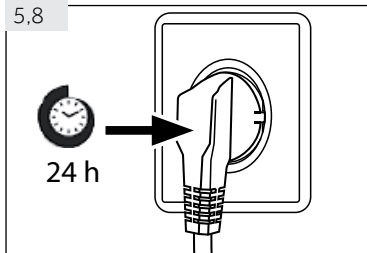
1. Vyměňte zásobník na vodu.
2. Přidejte vodu. Zásobník naplňte asi do 2/3.
3. Postavte zásobník na vodu zpět pod druhou policičku spodního oddělení.



UPOZORNĚNÍ!

- ▶ Před přesunutím chladničky vína odstraňte zásobník na vodu, aby nedošlo k rozlití.

5.8



5.8 Čekací doba

V kapsli kompresoru je umístěný bezúdržbový olej. Pokud je spotřebič nakloněn, tento olej během přepravy může procházet uzavřeným potrubním systémem. Vyčkejte 24 hodiny před zapojením spotřebiče do elektrické sítě (obr. 5.8), aby se olej mohl vrátit do kapsle.

5.9 Elektrické připojení

Před každým zapojením zkontrolujte, zda:

- ▶ zdroj energie, zásuvka a pojistka odpovídají výkonostnímu štítku.
- ▶ je zásuvka uzemněná a nepoužíváte prodlužovací kabel ani vícenásobné zásuvky.
- ▶ zástrčka a zásuvka se přesně shodují.

Zástrčku zapojte do řádně instalované domácí zásuvky.



UPOZORNĚNÍ!

Poškozený napájecí kabel musí být vyměněn v zákaznickém servisu, aby nedošlo ke vzniku nebezpečí (viz Záruční list).

6.1 Před prvním použitím

- ▶ Odstraňte všechny obalové materiály. Včetně pěnového základu a každé lepicí pásky, přidržíjící příslušenství uvnitř i vně chladničky na víno. Držte je mimo dosah dětí a likvidujte jejich způsobem, který je šetrný k životnímu prostředí.
- ▶ Než vložíte do spotřebiče potraviny, očistěte ho uvnitř i zvenku vodou a jemným čisticím prostředkem.
- ▶ Po vyrovnání a očištění spotřebiče vyčkejte alespoň 2 hodiny, než ho zapojíte do elektrické sítě. Pokud jste z jakéhokoliv důvodu chladničku na víno naklonili, před připojením počkejte 24 hodin. Viz část INSTALACE.
- ▶ Po připojení zařízení do elektrické zásuvky před provedením jakýchkoliv úprav nechte přístroj běžet nejméně 30 minut z důvodu aklimatizace.
- ▶ Teplota se automaticky nastaví na 12°C pro obě oddíly. Teploty můžete ručně změnit podle vlastních požadavků. Viz oddíl TEPLOTA.

6.2 Dotyková tlačítka

Tlačítka na ovládacím panelu jsou doteková tlačítka, která reagují na lehký dotek prstem.

6.3 Zapnutí / vypnutí spotřebiče

Chcete-li zapnout spotřebič, stiskněte tlačítko napájení (E) na tři sekundy. Pokud ho chcete vypnout, opět stiskněte tlačítko napájení.



UPOZORNĚNÍ!

- ▶ Chcete-li prodloužit životnost spotřebiče, nevypínejte ho.
- ▶ Po odpojení napájení, před opětovným zapnutím počkejte alespoň 5 minut.

Při prvním zapnutí přístroje se zobrazí aktuální teplota zařízení (B).



Poznámka: Přednastavení

- ▶ Po připojení zařízení do elektrické zásuvky před provedením jakýchkoliv úprav nechte přístroj běžet nejméně 30 minut z důvodu aklimatizace.
- ▶ Když zapnete spotřebič po předchozím odpojení od elektrické sítě, může trvat několik hodin, než dosáhne správných teplot. Přesný čas se liší v závislosti na prostředí a teploty.



Poznámka: Funkce paměti při přerušení napájení

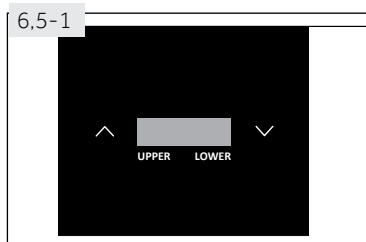
Po obnovení napájení přístroj pokračuje v teplotních nastaveních, které byly nastaveny před výpadkem proudu.

6.4 Pohotovostní režim



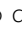
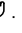

Obrazovka se po 35 sekundách po stisknutí posledního tlačítka automaticky ztlumí. Automaticky se rozsvítí po dotyku libovolného tlačítka nebo po otevření dveří.

6.5 Teplota

Teplota chladničky vína je přednastavena na 12°C. Může se měnit na jakoukoli teplotu od 5°C do 20°C pro jednotlivá oddělení.



6.5.1 Nastavení teploty (obrázek 6.5-1)

1. Podržte tlačítko  asi 3 sekundy. Displej teploty pro horní přihrádku začne blikat.
2. Stiskněte tlačítko  nebo  pro zvýšení nebo snížení teploty. Po dosažení požadované teploty stiskněte tlačítko .
3. Teplota pro horní přihrádku byla nastavena a teplota pro spodní přihrádku začala blikat.
4. Pro nastavení teploty pro spodní oddíl opakujte krok 2. Namísto stisknutí tlačítka  na konci můžete počkat 5 sekund, aniž byste se dotkli displeje.
5. Když displej přestane blikat, vrátí se na zobrazení aktuální teploty uvnitř chladničky vína. Dosažení nastavené teploty určitou dobu potrvá.

6.5.2 Přepínání mezi stupni Celsia a Fahrenheita

Pokud chcete změnit zobrazenou měřicí jednotku, stiskněte tlačítko  na 3 sekundy. Zobrazená teplota se přepne z Celsia na Fahrenheit a zpět.

6.5.3 Funkce kompenzace nízké teploty

Chladnička vína disponuje funkcí kompenzace při nízké teplotě, která zabezpečuje stabilitu teploty: Jestliže je teplota okolí nižší než nastavená teplota, chladnička vína automaticky spustí funkci kompenzace při nízké teplotě, která spotřebič ohřeje. Když teplota ve spotřebiči dosáhne nastavené teploty, funkce kompenzace při nízké teplotě se automaticky vypne.



Poznámka: Faktory ovlivňující teplotu

Teplota uvnitř spotřebiče je ovlivněna následujícími faktory:

- ▶ Okolní teplota
- ▶ Množství uložených lahví
- ▶ Četnost otevírání dveří
- ▶ Instalace spotřebiče

6.5.4 Doporučené nastavení teploty pro víno

Následující teploty pití se doporučují pro různé druhy vína.

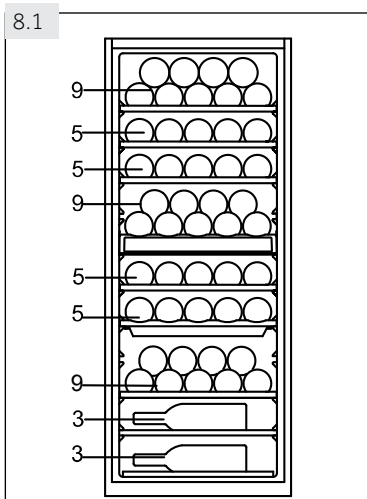
Červené víno	+14 °C až +20 °C.	Šumivé víno, Prosecco	+7 °C až +9 °C.
Růžové víno	+10 °C až +12 °C.	Šampaňské	+5 °C až +7 °C.
Bílé víno	+8 °C až +12 °C.		

Pokud skladujete víno delší dobu, uchovávejte ho při teplotě mezi +10°C a +12°C.



Tipy na ušetření energie

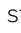
- ▶ Zkontrolujte, zda spotřebič správně větrá (viz INSTALACE).
- ▶ Neinstalujte spotřebič na přímé sluneční světlo nebo do blízkosti tepelných zdrojů (např. sporák, radiátory).
- ▶ Nenastavujte na spotřebiči zbytečně nízké teploty. Čím nižší teplota je na spotřebiči nastavená, tím vyšší je spotřeba energie.
- ▶ Dveře spotřebiče otvírejte co nejméně a na co nejkratší dobu.
- ▶ Nepřekračujte doporučené množství lahví, abyste nebránili proudění vzduchu.
- ▶ Udržujte těsnění dveří čisté, aby se dveře vždy správně zavřely.

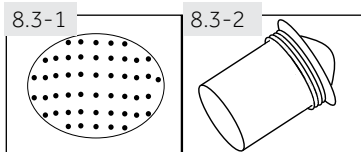


8.1 Poličky

1. Poličky jsou určeny pro snadné skladování a jednoduché vyjímání vína. Mohou se čistit měkkým hadříkem.
2. Mohou být uloženy regulární láhve s průměrem 78 mm (obrázek 8.1).
3. Magnum láhve mohou být uloženy na spodní poličce.
4. Množství se může lišit od znázorněného počtu lahví, pokud jsou naskládány jiným způsobem.

8.2 Osvětlení

Při otevření dveří, se rozsvítí LED vnitřní osvětlení. Chcete-li zapnout světlo během zavřených dveří, stiskněte tlačítko . Chcete-li světla vypnout, opět stiskněte tlačítko. Pokud chcete zvýšit energetickou účinnost, když chladnička vína není pozorována, vypněte osvětlení.



8.3 Deodorizér

Otvory deodorizéru (obrázek 8.3-1) na zadní straně zařízení pomáhají odstranit nechtěné zápachy přes uhlíkový filtr (obrázek 8.3-2).

8.4 Zámek

Chcete-li chladničku vína uzamknout, zavřete dveře a vložte klíč do zámku:

- ▶ Zamkněte dveře otočením klíče proti směru hodinových ručiček;
- ▶ Odemkněte dveře otočením klíče ve směru hodinových ručiček.



UPOZORNĚNÍ!

Klíče uchovávejte mimo dosah dětí a ne v blízkosti spotřebiče, aby se zabránilo zablokování dětí uvnitř spotřebiče.

8.5 Zásobník na vodu

V zásobníku musí být vždy voda, v zájmu řízení vlhkosti v chladničce na víno. Voda při používání chladničky na víno musí pokrývat spodní část zásobníku.

Viz oddíl INSTALACE.



UPOZORNĚNÍ!

Než začnete s čištěním spotřebiče, odpojte ho od elektrické sítě.

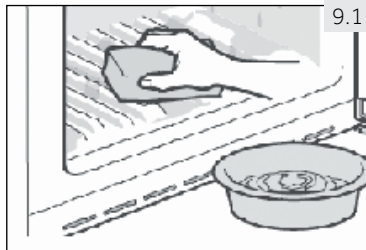
9.1 Obecně

Spotřebič čistěte, pouze když je prázdný nebo když je v něm jen malé množství uskladněného vína. Je třeba ji vyčistit pouze v případě, že je znečištěná.



UPOZORNĚNÍ!

- ▶ Spotřebič nečistěte tvrdými kartáči, drátěnými kartáči, čisticími prášky, benzínem, amyloacetáty, acetony a podobnými organickými prostředky, kyselinami nebo alkalickými čistidly. Abyste se vyhnuli poškození spotřebiče, používejte prosím k čištění speciální čisticí prostředky určené pro ledničky.
 - ▶ Během čištění na spotřebič nestříkejte ani ho neoplachujte.
 - ▶ Nepoužívejte při čištění kropicí ani parní spotřebiče.
 - ▶ Studené skleněné dveře neomývejte horkou vodou. Náhlá změna teploty by mohla způsobit prasknutí skla.
- ▶ Vnitřek a plášť spotřebiče čistěte houbičkou navlhčenou teplou vodou a neutrálním čisticím prostředkem (obr. 9,1).
 - ▶ Můžete použít čisticí roztok s 3 až 4 polévkovými lžicemi zaživací sody smíchané s teplou vodou.
 - ▶ Opláchněte čistou teplou vodou a vysušte jemným hadříkem.
 - ▶ Žádné součásti spotřebiče nemyjte v myčce nádobí.
 - ▶ Před opakovaným spuštěním spotřebiče vyčkejte alespoň 5 minut, protože časté zapínání může poškodit kompresor.
 - ▶ Těsnění dveří čistěte každé tři měsíce z důvodu zajištění správného těsnění.



9.2 Čištění polic

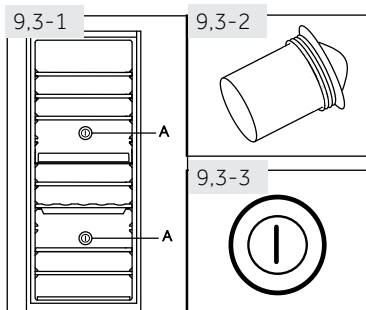
Všechny police lze pro čištění vytáhnout.

1. Vyberte všechny lahve.
2. Každou polici trochu nadzvedněte.
3. Vyberte polici.
4. Očistěte police měkkou utěrkou.
5. Počkejte dokud police uschnou a pak je vložte zpět.



UPOZORNĚNÍ!

Po odpojení napájení, před opětovným zapnutím počkejte alespoň 5 minut.



9.3 Výměna deodorizéru

Uhlíkový filtr by se měl měnit každých 3 až 5 let.

1. Uchopte uhlíkový filtr (A) za rukojeť (obrázek 9.3-1).
2. Otočte ho doleva a vyjměte jej.
3. Vložte nový filtr (obr. 9.3-2) s rukojetí ve vertikální poloze (obr. 9.3-3).
4. Otočte ho doprava, dokud nezapadne na své místo.

9.4 Rozmrazování

Odmrazování chladničky na víno se provádí automaticky; není potřeba žádný manuální úkon.

9.5 Výměna LED osvětlení

Ve spotřebiči je jako světelný zdroj LED osvětlení, protože spotřebovává malé množství energie a má dlouhou životnost. Vyskytne-li se nějaká závada, kontaktujte prosím zákaznický servis. Viz ZÁKAZNICKÝ SERVIS.



UPOZORNĚNÍ!

Nevyměňujte LED lampu sami. Smí být vyměněna pouze výrobcem nebo autorizovaným servisním technikem.

Parametry LED lampy:

Napětí 12 V; Max výkon: 0,72 W

9.6 Nepoužívání spotřebiče po delší dobu

- ▶ Odpojte síťový kabel.
- ▶ Vyčistěte spotřebič a těsnění dveří, jak je to popsáno výše.
- ▶ Nechte otevřené dveře, abyste zabránili vzniku nežádoucích pachů uvnitř spotřebiče.

9.7 Stěhování spotřebiče

1. Vyjměte všechny flašky a odpojte spotřebič od elektrické sítě.
2. Police a všechny pohyblivé části chladničky na víno zajistěte lepicí páskou.
3. Odstraňte zásobník vody, aby nevytekla.
4. Nenaklánějte chladničku na víno pod větším úhlem než 45°, aby nedošlo k poškození chladicího systému.



UPOZORNĚNÍ!

- ▶ Spotřebič nezvedejte za kliky dveří.
- ▶ Nikdy nepokládejte spotřebič na podlahu v horizontální poloze.
- ▶ Po přemístění spotřebiče, před připojením spotřebiče počkejte 24 hodin.

Můžete vyřešit mnoho proběhnuvších problémů bez specifických odborných znalostí. Vyskytne-li se nějaký problém, dříve než se obrátíte na prodejce, zkontrolujte všechny uvedené možnosti a postupujte podle níže uvedených pokynů. Viz ZÁKAZNICKÝ SERVIS.



UPOZORNĚNÍ!

- ▶ Před prováděním údržby spotřebič vypněte a odpojte ho od elektrické sítě.
- ▶ Elektrické součásti smí opravovat pouze kvalifikovaný odborník, protože neodborné zásahy by mohly způsobit rozsáhlá následná poškození.
- ▶ Poškozený síťový kabel musí vyměnit výrobce, autorizovaný servis nebo podobně kvalifikovaná osoba, aby se zabránilo možným rizikům.

10.1 Řešení problémů s displejovými kódy



Poznámka: Řešení problémů

- ▶ Pokud se objeví chybový kód, stiskněte prosím pro její odstranění tlačítko zapnutí. Pokud se stále objevují, vytáhněte elektrickou zástrčku a kontaktujte zákaznický servis.
- ▶ V případě, že budete vyzváni, abyste kontaktovali zákaznický servis: Poznamenejte si zprávu o řešení problému a nahlaste ji „ZÁKAZNICKÉMU SERVISU“.

Chybový kód	Příčina	Řešení
E1	Zkratový nebo porouchaný obvod senzoru nízké teploty.	Pro výměnu senzoru se obraťte na poprodejní služby.
F4	Zkratový nebo porouchaný obvod snímače v horním oddělení.	
F5	Zkratový nebo porouchaný obvod snímače v dolním oddělení.	
H1	Zařízení vydá varování při vysoké teplotě v případě, kdy je teplota horního oddělení během 3 hodin vyšší než 25 °C.	Okolní teplota je příliš vysoká. Pracovní teplota zařízení by měla být mezi 16 °C až 38 °C.
H2	Zařízení vydá varování při vysoké teplotě v případě, kdy je teplota dolního oddělení během 3 hodin vyšší než 25 °C.	
L1	Kompresor přestane fungovat, pokud je teplota horního prostoru nižší než 0 °C. Varování nízké teploty se spustí, pokud je teplota nižší než 0 °C po dobu 2 hodin.	Okolní teplota je příliš nízká. Pracovní teplota zařízení by měla být mezi 16 °C až 38 °C.
L2	Kompresor přestane fungovat, pokud je teplota dolního prostoru nižší než 0 °C. Varování nízké teploty se spustí, pokud je teplota nižší než 0 °C po dobu 2 hodin.	

10.2 Řešení problémů bez displejových kódů

Problém	Možná příčina	Možné řešení
Nefunguje kompresor.	<ul style="list-style-type: none"> Zástrčka není zapojená do elektrické zásuvky. 	<ul style="list-style-type: none"> Zapojte spotřebič do elektrické sítě.
Spotřebič pracuje často nebo pracuje příliš dlouho.	<ul style="list-style-type: none"> Vnitřní nebo vnější teplota je příliš vysoká. Spotřebič byl nějakou dobu bez přívodu elektrické energie. Dveře spotřebiče nejsou těsně uzavřeny. Dveře spotřebiče se otevíraly příliš často nebo na dlouhou dobu. Těsnění dveří je špinavé, opotřebované, prasklé nebo nevhodné. Není zajištěna požadovaná cirkulace vzduchu. Nastavená teplota je příliš nízká. 	<ul style="list-style-type: none"> V tomto případě je běžné, že spotřebič pracuje delší dobu. Běžně trvá nějakou dobu, než se spotřebič zcela ochladí. Zavřete dveře/zásuvky a zkontrolujte, že spotřebič stojí na rovném podkladu a že se dveří nedotýkají žádné potraviny ani jiné překážky. Neotvírejte dveře chladničky příliš často. Očistěte těsnění dveří nebo je nechte vyměnit v zákaznickém servisu. Zajistěte dostatečnou ventilaci. Problém se vyřeší sám po dosažení požadované teploty.
Vnitřek chladničky na víno je špinavý a/ nebo zapáchá.	<ul style="list-style-type: none"> Je potřeba vyčistit vnitřek chladničky na víno. 	<ul style="list-style-type: none"> Vyčistěte interiér chladničky na víno.
Uvnitř spotřebiče není dostatečně chladno.	<ul style="list-style-type: none"> Je nastavena příliš vysoká teplota. Láhve byly přidány teprve nedávno. Dveře spotřebiče nejsou těsně uzavřeny. Dveře spotřebiče se otevíraly příliš často nebo na dlouhou dobu. Těsnění dveří je špinavé, opotřebované, prasklé nebo nevhodné. 	<ul style="list-style-type: none"> Nastavte teplotu znovu. Počkejte, aby nedávno přidáno láhve dosáhly požadovanou teplotu. Zavřete dvířka. Neotvírejte dveře chladničky příliš často. Očistěte těsnění dveří nebo je nechte vyměnit v zákaznickém servisu.
Uvnitř spotřebiče je příliš chladno.	<ul style="list-style-type: none"> Nastavená teplota je příliš nízká. 	<ul style="list-style-type: none"> Nastavte teplotu znovu.
Na vnitřní straně ledničky na víno se kondenzuje vlhkost.	<ul style="list-style-type: none"> Ovzduší je příliš teplé a příliš vlhké. Dveře spotřebiče nejsou těsně uzavřeny. Dveře spotřebiče se otevíraly příliš často nebo na dlouhou dobu. 	<ul style="list-style-type: none"> Zvyšte teplotu. Zavřete dvířka. Neotvírejte dveře chladničky příliš často.
Na vnějším povrchu chladničky na víno se hromadí vlhkost.	<ul style="list-style-type: none"> Ovzduší je příliš teplé a příliš vlhké. Dveře nejsou těsně uzavřeny. Kondenzaci způsobuje studený vzduch ve spotřebiči a teplý vzduch venku. 	<ul style="list-style-type: none"> To je ve vlhkém prostředí normální. Změna nastane, až klesne vlhkost. Zkontrolujte, zda jsou dveře těsně uzavřené a zda jsou těsnění správně utěsněny.

Problém	Možná příčina	Možné řešení
Spotřebič dělá neobvyklý hluk.	<ul style="list-style-type: none"> Spotřebič nestojí na rovné ploše. Spotřebič je v kontaktu s nějakým předmětem. 	<ul style="list-style-type: none"> Vyrovnejte spotřebič nastavením nožiček. Odstraňte předměty z okolí spotřebiče.
Měl by být slyšet tenký zvuk podobný zvuku tekoucí vody.	<ul style="list-style-type: none"> To je normální. 	<ul style="list-style-type: none"> -
Nefunguje vnitřní osvětlení nebo chladicí systém.	<ul style="list-style-type: none"> Zástrčka není zapojená do elektrické zásuvky. Zdroj napájení není v pořádku. LED osvětlení nefunguje. 	<ul style="list-style-type: none"> Zapojte spotřebič do elektrické sítě. Zkontrolujte, jestli přívod elektrické energie v místnosti. Kontaktujte místního dodavatele elektrického proudu! Kvůli výměně světla prosím kontaktujte servis.
Boky chladničky a pásy dveří se mohou zahřát.	<ul style="list-style-type: none"> To je normální. 	<ul style="list-style-type: none"> -
Dveře se nezavírají správně,	<ul style="list-style-type: none"> Spotřebič není ve vodováze. Dvířka jsou blokována. 	<ul style="list-style-type: none"> Vyrovnejte spotřebič s vyrovnávací nožičkou. Zkontrolujte blokování, jako např. láhve nebo police.

11.1 List výrobku podle nařízení EU č. 1060/2010

Obchodní značka	Haier
Identifikační značka modelu	WS53GDA
Kategorie modelu	Chladnička na víno
Chladicí kategorie pro domácnost	2
Třída energetické účinnosti	A
Roční spotřeba energie (kWh/rok) ¹⁾	135
Objem chladicího prostoru (L)	-
- prostoru pro skladování vína	172
Objem mrazicího prostoru (L)	-
Počet hvězdiček	-
Nejnižší skladovací teplota prostoru pro víno	5 °C
Beznámrazový systém	-
Klimatická třída: Spotřebič je určený pro použití při teplotě okolního prostředí mezi 16 °C a 38 °C.	ST
Vzduchem šířené emise hluku (db(A) re 1pW)	40
Typ konstrukce	Volně stojící
Tento spotřebič je určen výlučně pro skladování vína.	Ano

¹⁾ na základě výsledků 24 hodinové normalizované zkoušky. Skutečná spotřeba energie bude záviset na používání a umístění spotřebiče.

11.2 Doplnkové technické údaje

Čistý objem (L)	172
Napětí / Frekvence	220-240 V~/50 Hz
Spotřeba (W)	70
Vstupní proud (A)	0,5
Hlavní pojistka (A)	0,4
Chladicí kapalina	R600a
Rozměry (V/Š/H v mm)	560/500/1270

11.3 Normy a směrnice



Tento výrobek vyhovuje požadavkům všech odpovídajících směrnic ES včetně souvisejících harmonizovaných norem, které jsou nutné pro to, aby výrobek mohl nést označení CE.

Doporučujeme používat originální náhradní díly a služby zákaznického servisu Haier.
Máte-li se spotřebičem nějaký problém, podívejte se prosím nejprve do sekce ŘEŠENÍ PROBLÉMŮ.

Pokud tam nenajdete řešení, kontaktujte prosím

- ▶ místního prodejce nebo
- ▶ oddíl Service & Support na stránkách www.haier.com, kde můžete najít telefonní čísla a můžete aktivovat váš servisní požadavek.

Ještě, než budete kontaktovat naše Servisní centrum, zkontrolujte, zda máte níže uvedené informace.

Informace najdete na výkonnostním štítku.

Model _____ Výrobní číslo. _____

Zkontrolujte také Záruční list, který je dodáván spolu se spotřebičem pro případ reklamace.

Pro všeobecné obchodní otázky vyhledejte naše níže uvedené evropské adresy:

Evropské adresy Haier			
Země*	Poštovní adresa	Země*	Poštovní adresa
Itálie	Haier Europe Trading SRL Via De Cristoforis, 12 21100 Verese ITALY	Francie	Haier France SAS 3-5 rue des Graviers 92200 Neuilly sur Seine FRANCE
Španělsko Portugalsko	Haier Iberia SL Pg. Garcia Faria, 49-51 08019 Barcelona SPAIN	Belgie-FR Belgie-NL Nizozemsko Lucembursko	Haier Benelux SA Anderlecht Route de Lennik 451 BELGIUM
Německo Rakousko	Haier Deutschland GmbH Hewlett-Packard-Str. 4 D-61352 Bad Homburg GERMANY	Polsko Česko Maďarsko Řecko Rumunsko Rusko	Haier Poland Sp. zo.o. Al. Jerozolimskie 181B 02-222 Warszawa POLAND
Spojené království	Haier Appliances UK Co.Ltd. One Crown Square Church Street East Woking, Surrey, GU21 6HR UK		

*Pro více informací prosím jděte na www.haier.com

WS53GDA_CS_V07_110617

Haier



Gebrauchsanleitung

Weinkeller

WS53GDA

DE

Haier

Danke, dass Sie sich für ein Haier Produkt entschieden haben.

Bitte lesen Sie diese Gebrauchsanleitung sehr sorgfältig bevor Sie das Gerät in Betrieb nehmen. Sie enthält wichtige Informationen, damit Sie viel Freude an Ihrem Gerät haben und ein sicherer und sauberer Betrieb gewährleistet ist.

Bewahren Sie dieses Handbuch gut auf, damit Sie bei Bedarf immer wieder darauf zurückgreifen können.

Wenn Sie das Gerät verkaufen, abgeben oder bei einem Umzug zurücklassen, geben Sie bitte die Gebrauchsanleitung dazu, damit der neue Besitzer sich mit den Anweisungen zur Benutzung und zum sicheren Betrieb vertraut machen kann.

Legende



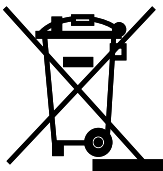
Achtung! Unbedingt lesen!
Wichtige Sicherheitshinweise.



Allgemeine Hinweise und Tipps



Umwelt-Tipps



Entsorgung

Produkte mit diesem Symbol dürfen am Ende ihrer Lebensdauer nicht in den Hausmüll gegeben werden, sondern müssen an einem Sammelpunkt für das Recycling von elektrischen und elektronischen Geräten abgegeben werden.



WARNUNG!

Verletzungs- und Erstickungsrisiko!

Das Altgerät ist vor der Verschrottung funktionsuntüchtig zu machen, damit Kinder sich nicht selbst einschließen können.

Achten Sie vor der fachgerechten Entsorgung darauf, dass die Kühlmittleitungen nicht beschädigt sind. Kältemittel und Gase müssen professionell entsorgt werden.

Trennen Sie das Gerät vom Stromnetz, entfernen Sie das Netzanschlusskabel, entnehmen Sie die Ablagen und Behälter und demontieren Sie die Tür/en und Dichtungen oder machen Sie den Türverschluss unbrauchbar, damit spielende Kinder sich oder andere nicht einsperren und somit in Lebensgefahr kommen.

1- Sicherheitshinweise	4
2- Vorgesehener Gebrauch.....	8
3- Gerätebeschreibung.....	9
4- Bedienblende.....	10
5- Installation	11
6- Gebrauch	14
7- Energiespartipps.....	16
8- Ausstattung	17
9- Reinigung und Pflege	18
10- Fehlerbehebung	20
11- Technische Daten	23
12- Kundendienst.....	24

Diese Hinweise dienen der Sicherheit und sollten daher vor der Installation und Inbetriebnahme aufmerksam gelesen werden.



WARNUNG!

Vor dem ersten Einschalten

- ▶ Vergewissern Sie sich, dass das Gerät keinen Transportschaden aufweist.
- ▶ Entfernen Sie alle Verpackungsmaterialien und bewahren Sie diese außerhalb der Reichweite von Kindern auf.
- ▶ Falls das Gerät gekippt wurde, lassen Sie es vor dem Anschließen mindestens 24 Stunden stehen. Dadurch kann sich das Kühlsystem nach dem Transport erholen.
- ▶ Das Gerät ist schwer! Immer mit mindestens zwei Personen handhaben!

Installation

- ▶ Das Gerät sollte an einem gut belüfteten Ort stehen. Mindestens einen Abstand von 10 cm über und um das Gerät freihalten. Das Gerät muss frei stehen. Es darf nicht eingebaut werden.
- ▶ Stellen Sie das Gerät niemals in einen feuchten Bereich oder an einen Ort, wo er mit Wasser bespritzt werden kann. Entfernen und trocknen Sie Spritzer und Flecken mit einem weichen, sauberen Tuch.
- ▶ Stellen Sie das Gerät nie an einem Ort auf, der nicht richtig beheizt oder isoliert ist, wie z.B. eine Garage. Ihr Weinkeller ist nicht für den Betrieb bei einer Raumtemperatur unter 16 °C geeignet.
- ▶ Das Gerät nicht im direkten Sonnenlicht oder in der Nähe einer Wärmequelle (z. B. Heizkörper, Herd und andere Wärme abgebende Geräte) aufstellen.
- ▶ Stellen Sie das Gerät an einem Ort auf, der für die Größe und die Nutzung des Geräts geeignet ist. Der Ort muss so beschaffen sein, dass sich die Gerätetüren vollständig öffnen lassen.
- ▶ Die Lüftungsöffnungen am Gerät oder im Einbaugehäuse müssen freigehalten werden.
- ▶ Die Angaben auf dem Typenschild müssen mit den elektrischen Anschlussbedingungen übereinstimmen. Falls nicht, kontaktieren Sie bitte einen Elektriker.
- ▶ Das Gerät muss an eine separat geerdete, stets zugängliche Steckdose angeschlossen werden.

**WARNUNG!**

- ▶ Mehrfachsteckdosen oder Verlängerungskabel dürfen nicht benutzt werden.
- ▶ Das Gerät wird mit 220-240 V/50 Hz betrieben. Abnormale Spannungsschwankungen können bewirken, dass das Gerät nicht startet, dass der Temperaturregler oder der Kompressor beschädigt werden oder dass während des Betriebes unnormale Geräusche auftreten. In einem solchen Fall muss ein automatischer Spannungsregler eingebaut werden.
- ▶ Das Gerät darf nicht auf der Netzanschlussleitung stehen. Nicht auf das Netzkabel treten.
- ▶ Der Kühlmittelkreislauf darf nicht beschädigt werden.

Täglicher Gebrauch

- ▶ Dieses Gerät kann von Kindern ab 8 Jahren und darüber und von Personen mit reduzierten physischen, sensorischen oder mentalen Fähigkeiten oder Mangel an Erfahrung und/oder Wissen benutzt werden, wenn sie beaufsichtigt oder bezüglich des sicheren Gebrauchs des Gerätes unterwiesen wurden und die daraus resultierenden Gefahren verstanden haben.
- ▶ Halten Sie Kinder unter 3 Jahren vom Gerät fern, es sei denn, sie sind unter kontinuierlicher Aufsicht.
- ▶ Kinder dürfen nicht mit dem Gerät spielen.
- ▶ Wenn in der Nähe des Geräts Kohlegas oder anderes entzündliches Gas entweicht, drehen Sie das Ventil des ausströmenden Gases zu, öffnen Sie Türen und Fenster und ziehen Sie das Netzkabel dieses Geräts oder anderer Geräte nicht aus der Stromquelle.
- ▶ Das Gerät ist für einen Betrieb bei Umgebungstemperaturen zwischen 16 °C und 38 °C ausgelegt. Das Gerät arbeitet möglicherweise nicht ordnungsgemäß, wenn es für eine längere Zeit einer Temperatur oberhalb oder unterhalb des angegebenen Bereichs ausgesetzt ist.
- ▶ Stellen Sie keine instabilen Gegenstände (schwere Gegenstände, mit Wasser gefüllte Behälter) auf das Gerät, um Verletzungen durch herabfallende Gegenstände oder einen elektrischen Schlag bei Wasserkontakt zu verhindern.



WARNUNG!

Täglicher Gebrauch

- ▶ Öffnen und schließen Sie die Tür(en) nur an den Griffen. Der Spalt zwischen Tür und Schrank ist sehr schmal. Nicht hineingreifen; es besteht Quetschgefahr. Die Gerätetür(en) nur öffnen und schließen, wenn sich im Bewegungsbereich der Tür keine Kinder aufhalten.
- ▶ Lagern und benutzen Sie keine brennbaren, explosiven oder korrosiven Stoffe im Gerät oder in dessen Nähe.
- ▶ Bewahren Sie keine Medikamente, Bakterien oder chemische Substanzen im Gerät auf. Dieses Gerät ist ein Haushaltsgerät. Es wird nicht empfohlen, Materialien darin aufzubewahren, die genaue Temperatureinhaltung erfordern.
- ▶ Um die Kühlung des Weins sicher zu stellen, legen Sie nur so viele Flaschen in das Gerät wie in der Anleitung angegeben.
- ▶ Vermeiden Sie es unnötig tiefe Temperaturen im Kühlabteil einzustellen.
- ▶ Trennen Sie das Gerät bei Stromausfall oder vor dem Reinigen vom Netz. Warten Sie mindestens 5 Minuten, bevor Sie das Gerät wieder anlassen, da häufiges Starten den Kompressor beschädigen kann.
- ▶ Benutzen Sie keine elektrischen Geräte im Kühl- und Gefrierabteil benutzen, sofern diese nicht vom Hersteller empfohlen wurden.

Wartung / Reparatur

- ▶ Die Reinigung und Wartung darf nur dann von Kindern durchgeführt werden, wenn sie beaufsichtigt werden.
- ▶ Trennen Sie das Gerät vor der Durchführung von Wartungsarbeiten von der Stromzufuhr. Vor dem Wiedereinschalten mindestens 5 Minuten warten, da häufiges Einschalten den Kompressor beschädigen kann.
- ▶ Ziehen Sie nur am Stecker und nicht am Anschlusskabel, um das Gerät vom Stromnetz zu trennen.
- ▶ Reinigen Sie das Gerät nicht mit hartborstigen Bürsten, Drahtbürsten, Scheuerpulver, Benzin, Amylacetat, Aceton und ähnlichen organischen Lösungen, Säure oder alkalischen Lösungen.

**WARNUNG!****Wartung / Reparatur**

- ▶ Wird das Netzkabel beschädigt, so muss es durch den Hersteller, seinen Kundendienst oder ähnlich qualifizierte Personen ersetzt werden, um Gefahren zu vermeiden.
- ▶ Versuchen Sie nicht, das Gerät selbst zu reparieren, zu demonstrieren oder technisch zu verändern. Im Reparaturfall wenden Sie sich bitte an den Kundendienst.
- ▶ Beseitigen Sie mindestens einmal im Jahr die Staubablagerungen von den Teilen an der Rückseite des Gerätes gründlich mit einer weichen Bürste oder dem Staubsauger, um Brandgefahr sowie erhöhten Energieaufwand zu vermeiden
- ▶ Sprühen oder spülen Sie das Gerät beim Reinigen nicht ab. Reinigen Sie das Gerät weder mit Dampf- noch mit Wasserstrahl.
- ▶ Reinigen Sie die kalten Glasablagen nicht mit heißem Wasser. Plötzliche Temperaturänderungen könnten zu Glasbruch führen.

Informationen zum Kühlmittel**WARNUNG!**

Dieses Gerät ist mit dem brennbaren Kühlmittel ISOBUTAN (R600a) befüllt. Achten Sie darauf, dass die Kühlmittelrohre bei Transport oder Installation nicht beschädigt werden. Austretendes Kühlmittel kann Augenschäden verursachen oder sich entzünden. Im Schadensfall sind offenen Feuerquellen fernzuhalten und der Raum gründlich zu lüften. Weder die Netzanschlussleitung dieses Gerätes noch eines anderen darf gezogen oder an das Stromnetz angeschlossen werden. Benachrichtigen Sie den Kundendienst. Sollten Spritzer des Kältemittels ins Auge gelangt sein, spülen Sie das Auge unter fließendem Wasser aus und kontaktieren Sie sofort den Augenarzt.

2.1 Vorgesehener Gebrauch

Das Gerät ist ausschließlich zum Kühlen von Wein geeignet. Dieses Gerät wurde ausschließlich für den Gebrauch in trockenen Innenräumen im Haushalt konzipiert. Bei gewerblicher Nutzung entfällt die Haier Garantie. Verwenden Sie es nicht für andere Zwecke als die, für die es ausgelegt ist.

Veränderungen oder Modifikationen an dem Gerät sind nicht zulässig. Solche Eingriffe führen zum Verlust von Gewährleistungsansprüchen.

2.2 Zubehör

Zubehör entsprechend der nachfolgenden Liste überprüfen (Abb. 2.1):

2.2



2 Schlüssel



Energie-
label



Garantie-
karte

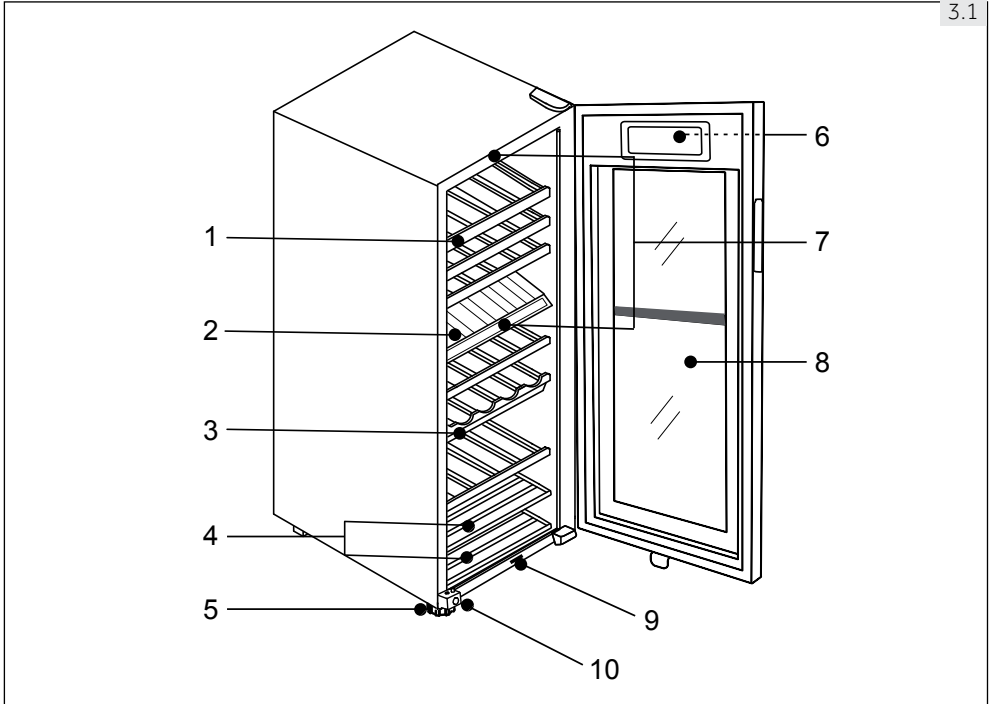


Gebrauchs-
anleitung

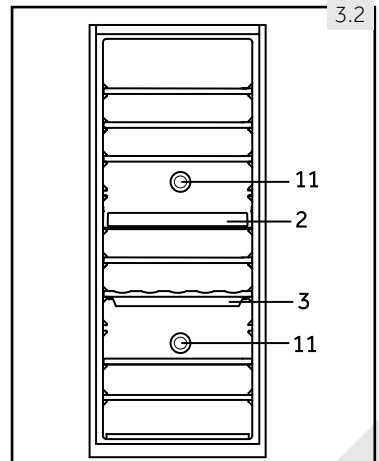
i Hinweis: Abweichungen

Aufgrund technischer Änderungen und Modellvarianten können manche Abbildungen in dieser Bedienungsanleitung von dem von Ihnen erworbenen Modell abweichen.

Geräteabbildungen (Abb. 3.1 und Abb. 3.2)

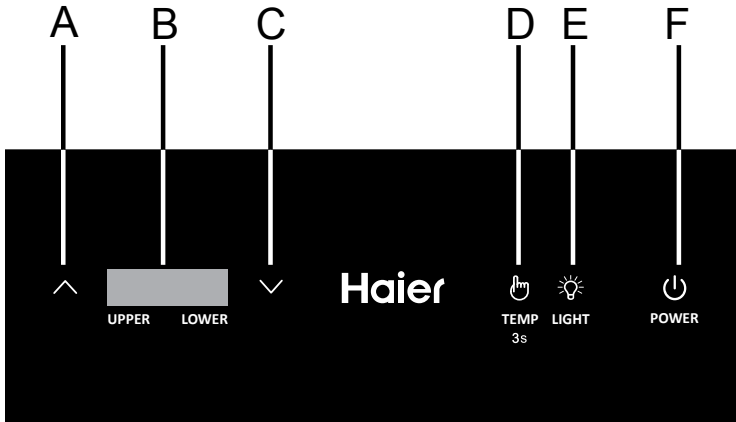


- 1 Innere Fächer
- 2 Mittelleiste
- 3 Wasserbox
- 4 Kürzere Fächer
- 5 Verstellbare Füße
- 6 Display (an der Außenseite)
- 7 LED Lampen
- 8 Tür
- 9 Licht- und Ventilationsschalter
- 10 Schloss
- 11 Kohlenfilter/Deodorisierer



Bedienblende (Abb. 4)

4



- A Temperaturtaste: höher
- B Temperaturanzeige
- C Temperaturtaste: niedriger
- D Temperatur-Bestätigungstaste
- E Innenbeleuchtung und °C/°F-Taste
- F An/Aus-Taste

5.1 Auspacken



WARNUNG!

- ▶ Das Gerät ist schwer. Nehmen Sie eine zweite Personen zu Hilfe.
- ▶ Bewahren Sie alle Verpackungsmaterialien für Kinder unzugänglich auf und entsorgen Sie die Verpackung auf umweltfreundliche Weise.
- ▶ Gerät aus der Verpackung entnehmen.
- ▶ Alle Verpackungsmaterialien entfernen.

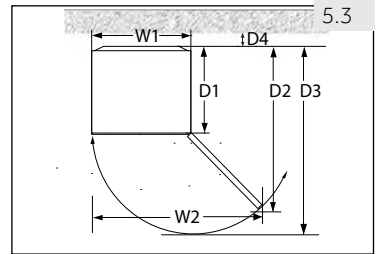
5.2 Umgebungsbedingungen

Die Zimmertemperatur muss zwischen 16 °C und 38 °C liegen, da sie die Temperatur im Gerät und dessen Energieverbrauch beeinflussen kann. Das Gerät nicht ungedämmt in der Nähe anderer Wärme abgebender Geräte (Herde, Heizkörper etc.) aufstellen.

5.3 Gesamter Raumbedarf

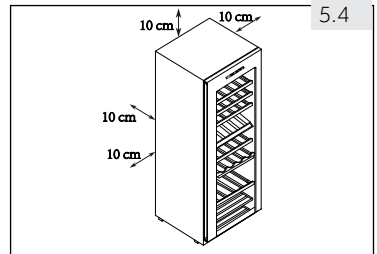
Erforderlicher Gesamttraum zum Öffnen der Tür (Abb. 5.3):

Breite in mm		Tiefe in mm			Entfernung zur Wand in mm
W1	W2	D1	D2	D3	D4
500	830	495	890	1015	100



5.4 Raum zur Lüftung

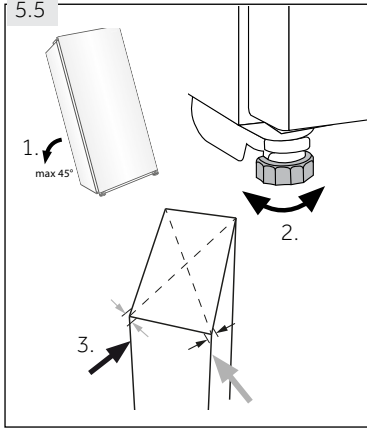
Um aus Sicherheitsgründen eine ausreichende Belüftung des Gerätes zu erzielen, muss ein Abstand von 10 cm in alle Richtungen eingehalten werden (Abb. 5.4).



WARNUNG!

- ▶ Die Lüftungsöffnungen am Gerät oder im Einbaugehäuse müssen freigehalten werden.

5.5



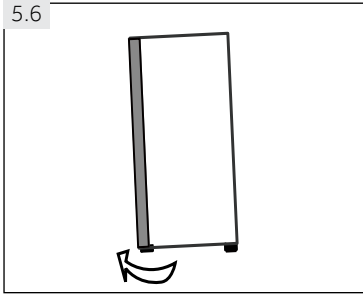
5.5 Gerät ausrichten

The appliance should be placed on a flat and solid surface.

Gerät auf ebenen, harten Boden stellen.

1. Das Gerät leicht nach hinten kippen (Abb. 5.5-1.).
2. Die FüÙe auf die gewünschte Höhe einstellen (Abb. 5.5-2.).
3. Die Standfestigkeit kann durch wechselseitiges AnstoÙen über die Diagonalen überprüft werden (Abb. 5.5-3.). Das leichte Schwanken soll in beiden Richtungen gleich sein. Ist dies nicht der Fall, kann sich das Gehäuse verziehen; eventuelle undichte Türdichtungen sind die Folge. Eine geringe Neigung nach hinten erleichtert das Schließen der Tür.

5.6



5.6 Die Tür anpassen

Das Gerät lässt sich besser schließen wenn die verstellbaren FüÙe an der Vorderseite genutzt werden.

Die verstellbaren FüÙe drehen um ihre Höhe zu verändern (Abb 5.6):

- ▶ Die FüÙe im Uhrzeigersinn drehen um das Gerät zu erhöhen.
- ▶ Die FüÙe gegen den Uhrzeigersinn drehen um das Gerät zu senken.



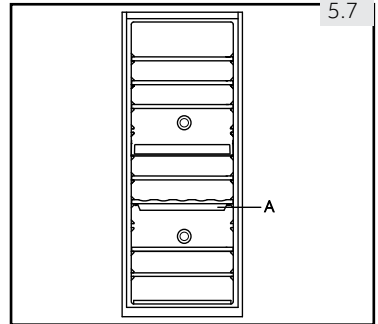
WARNUNG!

- ▶ Heben Sie das Gerät nicht an den Türgriffen an.
- ▶ Legen Sie das Gerät nie flach auf den Boden.
- ▶ Wenn das Gerät mehr als 45° gekippt wurde, warten Sie 24 Stunden bevor sie es an den Strom anschließen.

5.7 Die Wasserbox füllen

Die Wasserbox (A in Abb. 5.7) sollte immer gefüllt sein um die Feuchtigkeit im Weinkeller aufrecht zu erhalten. Wasser einfüllen bevor das Gerät in Betrieb genommen wird. Der Boden der Wasserbox sollte immer mit Wasser bedeckt sein wenn das Gerät benutzt wird.

1. Die Wasserbox aus dem Gerät nehmen.
2. Wasser einfüllen. Die Box sollte zu 2/3 gefüllt sein.
3. Die Wasserbox zurück unter das zweite Fach des unteren Abteils hängen.



5.7

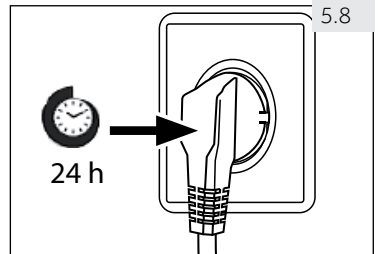


WARNUNG!

- Entfernen Sie die Wasserbox bevor Sie den Weinkeller bewegen.

5.8 Wartezeit

Zur wartungsfreien Dauerschmierung befindet sich in der Kapsel des Kompressors Öl. Durch Schräglage beim Transport kann dieses Öl in das geschlossene Rohrsystem gelangen. Mit dem Einschalten des Gerätes muss 24 Stunden gewartet werden (Abb. 5.8), damit das Öl wieder zurück in die Kapsel läuft.



5.8

5.9 Elektrischer Anschluss

Vor jedem Anschluss prüfen ob

- die Stromversorgung dem Typenschild entspricht.
- die Anschlussdose geerdet und keine Mehrfachdose oder Verlängerung ist.
- Stecker und Dose sich exakt entsprechen.

Gerätestecker an eine vorschriftmäßig installierte Haushaltssteckdose anschließen.



WARNUNG!

Um Gefahren zu vermeiden lassen Sie ein beschädigtes Netzkabel durch den Kundendienst ersetzen (siehe Garantiekarte).

6.1 Vor dem ersten Gebrauch

- ▶ Alle Verpackungsmaterialien sind zu entfernen, einschließlich des Schaumstoffsockels und des Klebebands, das das Zubehör befestigt. Diese müssen unzugänglich für Kinder aufbewahrt und auf umweltfreundliche Weise entsorgt werden.
- ▶ Vor dem Einlegen von Wein sollte das Gerät innen und außen sowie die Innenausstattung und Zubehörteile mit warmem Wasser und einem milden Geschirrspülmittel gereinigt werden.
- ▶ Nach dem Ausrichten und Reinigen des Gerätes mindestens 2 Stunden warten, bevor es an das Netz angeschlossen wird. Falls das Gerät gekippt wurde, 24 Stunden warten. Siehe hierzu Kapitel INSTALLATION.
- ▶ Nachdem das Gerät eingesteckt wurde, mindestens 30 Minuten warten bevor die Einstellungen verändert werden.
- ▶ Die Temperatur in beiden Abteilen wird automatisch auf 12 °C geregelt. Falls gewünscht, können diese Temperaturen manuell geändert werden. Siehe TEMPERATUREINSTELLUNG.

6.2 Sensortasten

Bei den Tasten handelt es sich um Sensortasten, die bereits bei leichter Berührung mit dem Finger reagieren.

6.3 Ein- und Ausschalten des Geräts

Um das Gerät einzuschalten, die Ein/Aus-Taste (F) 3 Sekunden lang drücken. Um es wieder auszuschalten, die Taste erneut drücken.



WARNUNG!

- ▶ Um die Lebensdauer des Geräts zu verlängern, schalten Sie es möglichst selten aus.
- ▶ Warten Sie mindestens 5 Minuten bevor Sie das Gerät wieder an den Strom anschließen, nachdem es ausgesteckt wurde.

Wenn das Gerät zum ersten Mal eingeschaltet wird, wird die aktuell vorhandene Temperatur angezeigt.



Hinweis: Voreinstellungen

- ▶ Nachdem das Gerät eingesteckt wurde, warten Sie mindestens 30 Minuten bevor Sie die Einstellungen verändern.
- ▶ Nach dem Einschalten des Gerätes kann es mehrere Stunden dauern bis die eingestellte Temperatur erreicht ist.



Hinweis: Speicherfunktion während Stromausfall

Wenn das Gerät wieder an den Strom angeschlossen ist, werden die Temperatureinstellungen von vor dem Stromausfall wieder hergestellt.

6.4 Standby-Modus

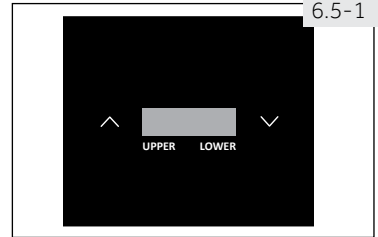
Das Display schaltet sich automatisch 35 Sekunden nach dem Betätigen einer Taste ab. Es leuchtet automatisch auf wenn eine Taste gedrückt oder die Tür geöffnet wird.

6.5 Temperatur

Die Temperatur des Weinkellers ist auf 12 °C voreingestellt. Bei beiden Abteilen kann die Temperatur einzeln zwischen 5 °C and 20 °C eingestellt werden.

6.5.1 Temperatur einstellen (Abb. 6.5-1)

1. Die  Taste ca 3 Sekunden drücken. Die Temperaturanzeige für das obere Abteil beginnt zu blinken.
2. Die  oder  Taste drücken um die Temperatur zu erhöhen oder zu senken. Wenn die gewünschte Temperatur erreicht wurde, die  Taste drücken
3. Die Temperatur für das obere Abteil ist nun eingestellt und die Anzeige für das untere Abteil beginnt zu blinken.
4. Schritt 2 wiederholen um die Temperatur für das untere Abteil einzustellen. Anstatt am Ende die  Taste zu drücken, kann man auch 5 Sekunden warten ohne das Display zu berühren.
5. Nachdem das Display aufgehört hat zu blinken, zeigt es wieder die aktuelle Temperatur im Weinkeller an. Das Gerät braucht einige Zeit um die eingestellte Temperatur zu erreichen.



6.5.2 Zwischen Celsius and Fahrenheit wechseln

Um die angezeigte Maßeinheit zu ändern, die  Taste 3 Sekunden lang drücken. Die angezeigte Temperatur wechselt zwischen Celsius und Fahrenheit.

6.5.3 Niedrigtemperatur-Ausgleich

Der Weinkeller verfügt über eine Funktion, die Niedrigtemperaturen ausgleicht. Sie stellt die Stabilität der Temperatur sicher: Wenn die Raumtemperatur niedriger ist als die eingestellte Temperatur, startet der Weinkeller automatisch diese Funktion und erwärmt das Gerät. Wenn die Temperatur in dem Gerät die eingestellte Temperatur erreicht hat, wird die Funktion automatisch wieder ausgeschaltet.



Hinweis: Einflussfaktoren Innentemperatur

Die Innentemperaturen werden durch folgende Faktoren beeinflusst:

- ▶ Raumtemperatur
- ▶ Menge der eingelagerten Flaschen
- ▶ Häufigkeit des Türöffnens
- ▶ Aufstellung des Gerätes

6.5.4 Empfohlene Temperaturen für Wein

Die folgenden Temperaturen werden für den Genuss von Wein empfohlen.

Rotwein	+14 °C to +20 °C	Sekt, Prosecco	+7 °C to +9 °C
Rosé	+10 °C to +12 °C	Champagne	+5 °C to +7 °C
Weißwein	+8 °C to +12 °C		

Bei längerfristiger Lagerung sollte der Wein zwischen +10 °C und +12 °C aufbewahrt werden.

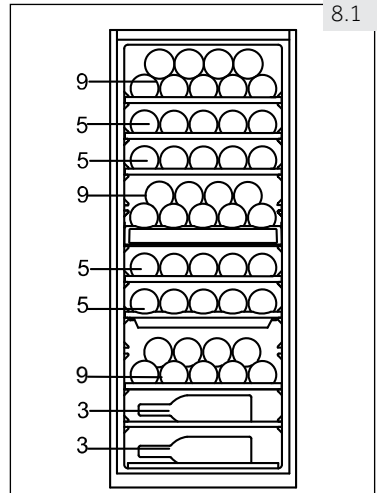


Hinweise zum Energiesparen


- ▶ Darauf achten, dass das Gerät ausreichend belüftet ist (siehe INSTALLATION).
- ▶ Das Gerät nicht im direkten Sonnenlicht oder in der Nähe einer Wärmequelle (z.B. Heizkörper, Herd und andere Wärme abgebende Geräte) aufstellen.
- ▶ Unnötige tiefe Temperatureinstellungen sollten vermieden werden. Je niedriger die Temperatur eingestellt ist, desto höher ist der Energieverbrauch.
- ▶ Die Tür so selten und so kurz wie möglich öffnen.
- ▶ Nicht mehr Flaschen als angegeben einlagern, damit die kalte Luft zirkulieren kann.
- ▶ Türdichtungen sauber halten, damit die Türen immer richtig schließen.

8.1 Fächer

1. Die Fächer sind so gestaltet, dass sie einfaches Lagern und Entnahme des Weins ermöglichen. Sie können mit einem weichen Tuch gereinigt werden.
2. Reguläre Flaschen mit einem Durchmesser von 78 mm können gelagert werden (Abb. 8.1).
3. Magnum Flaschen können im untersten Fach gelagert werden.
4. Die Menge kann von der abgebildeten Anzahl abweichen wenn die Flaschen anders einsortiert werden.



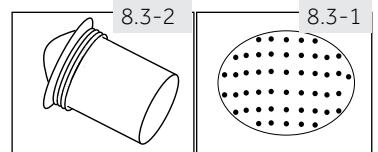
8.2 Beleuchtung

Die LED Beleuchtung geht an wenn die Tür geöffnet wird. Um das Licht auszuschalten während die Tür geschlossen ist, die  Taste berühren. Um das Licht auszuschalten, die Taste nochmal berühren.

Um die Energieeffizienz zu erhöhen sollte die Beleuchtung ausgeschaltet sein wenn der Weinkeller nicht betrachtet wird.

8.3 Deodorisierer

Die Deodorisiereriöcher (Abb. 8.3-1) auf der Rückseite des Geräts entfernen abgestandene, ungewollte Gerüche durch einen Carbonfilter (Abb. 8.3-2).



8.4 Das Schloss

Um den Weinkeller zu verschließen, die Tür schließen und den Schlüssel ins Schloss stecken:

- ▶ Die Tür wird verschlossen wenn der Schlüssel gegen den Uhrzeigersinn gedreht wird.
- ▶ Die Tür wird aufgeschlossen wenn der Schlüssel im Uhrzeigersinn gedreht wird.



WARNUNG!

Die Schlüssel müssen ausserhalb der Reichweite von Kindern und nicht in der Nähe des Geräts aufbewahrt werden um zu vermeiden dass Kinder in das Gerät eingeschlossen werden.

8.5 Wasserbox

Die Wasserbox sollte immer gefüllt sein um die Feuchtigkeit im Weinkeller aufrecht zu erhalten. Der Boden der Wasserbox sollte immer mit Wasser bedeckt sein wenn das Gerät benutzt wird.

Siehe INSTALLATION.



WARNUNG!

Schalten Sie vor jeder Wartung das Gerät aus und ziehen Sie den Netzstecker.

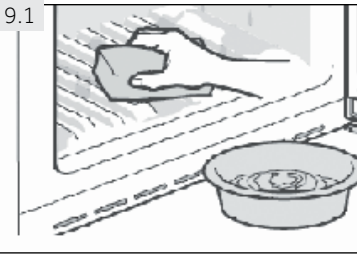
9.1 Reinigung

Gerät am besten dann reinigen, wenn nur wenig oder kein Wein eingelagert ist. Das Gerät muss nur gereinigt werden, wenn es schmutzig ist.



WARNUNG!

- ▶ Führen Sie die Reinigung nicht mit hartborstigen Bürsten, Drahtbürsten, Scheuerpulver, Benzin, Amylacetat, Aceton und ähnlichen organischen Lösungen, Säure oder alkalischen Lösungen durch sondern verwenden Sie spezielle Kühlschranksreiniger.
- ▶ Besprühen oder spülen Sie das Gerät nicht mit Wasser ab.
- ▶ Reinigen Sie das Gerät nicht mit Dampf- oder Wasserstrahl.
- ▶ Reinigen Sie die kalten Glastüren nicht mit heißem Wasser. Plötzliche Temperaturänderungen können zu Glasbruch führen.



- ▶ Das Gerät einschließlich Innenausstattung mit einem weichen Reinigungstuch oder Schwamm, lauwarmem Wasser und einem milden Handgeschirrspülmittel reinigen. (Abb. 9.1).
- ▶ Eine Reinigungslösung aus 3 bis 4 Esslöffeln Backpulver und warmen Wasser kann benutzt werden.
- ▶ Wassertropfen an den Innenflächen mit einem trockenen, weichen Reinigungstuch entfernen.
- ▶ Geräteteile nicht in der Geschirrspülmaschine reinigen.
- ▶ Vor dem Wiedereinschalten mindestens 5 Minuten warten, da häufiges Einschalten den Kompressor beschädigen kann.
- ▶ Die Türdichtungen sollten alle 3 Monate gereinigt werden damit sie dicht schließen.

9.2 Reinigung der Fächer

Alle Fächer außer dem Mittelfach können zur Reinigung entnommen werden.

1. Alle Flaschen entnehmen.
2. Jedes Fach leicht anheben und entnehmen.
3. Fächer mit einem weichen Tuch reinigen.
4. Fächer trocknen lassen bevor sie wieder in den Weinkeller gelegt werden.



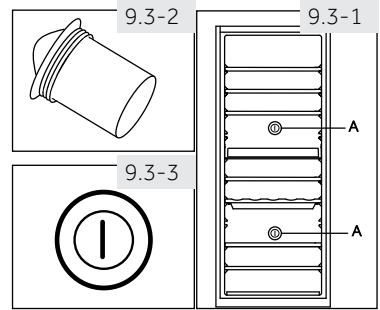
WARNUNG!

Warten Sie mindestens 5 Minuten bevor Sie das Gerät wieder an den Strom anschließen, nachdem es ausgesteckt wurde.

9.3 Den Deodorisierer austauschen

Der Kohlenfilter sollte alle 3 bis 5 Jahre ausgetauscht werden.

1. Den Griff des Kohlenfilters (A) fassen (Abb. 9.3-1).
2. Nach links drehen und herausziehen.
3. Den neuen Filter einführen (Abb. 9.3-2). Den Griff dabei senkrecht halten (Abb. 9.3-3).
4. Nach rechts drehen bis der Filter einrastet.



9.4 Abtauen

Das Kühl- und Gefrierabteil tauen automatisch ab, so dass kein manueller Eingriff erforderlich ist.

9.5 Austauschen der LED-Lampen

Die LED-Beleuchtung ermöglicht einen geringen Energieverbrauch und eine lange Lebensdauer. Bei Störungen wenden Sie sich bitte an den Kundendienst (siehe KUNDENDIENST).



WARNUNG!

Tauschen Sie die LED Lampe nicht selbst aus sondern wenden Sie sich an der Kundendienst.

Technische Daten der LED Lampe:

Voltage 12 V; Max 0,72 W

9.6 Bei längerer Nichtbenutzung

- ▶ Netzstecker ziehen.
- ▶ Gerät und Dichtungen wie oben beschrieben reinigen.
- ▶ Gerätetüren offen stehen lassen, damit im Gerät keine üblen Gerüche entstehen.

9.7 Bewegen den Gerätes

1. Netzstecker ziehen und alle Flaschen aus dem Gerät entnehmen.
2. Die Ablagen und sonstigen beweglichen Teile im Weinkeller mit Klebeband sichern.
3. Das Gerät nicht um mehr als 45° kippen, um Beschädigungen des Kühlsystems zu vermeiden.



WARNUNG!

- ▶ Das Gerät nicht an den Griffen anheben.
- ▶ Das Gerät niemals horizontal auf den Boden legen.
- ▶ Nachdem das Gerät bewegt wurde, warten Sie 24 Stunden bevor Sie es an den Strom anschließen.

Die im Folgenden aufgezählten Probleme können meist selbst behoben werden. Wenden Sie sich erst dann an den Kundendienst (siehe Garantiekarte), wenn Sie alles geprüft haben und den Fehler nicht beseitigen können.



WARNUNG!

- ▶ Schalten Sie vor jeder Wartung das Gerät aus und ziehen Sie den Netzstecker.
- ▶ Elektrogeräte dürfen nur durch Elektrofachkräfte repariert werden, da durch unsachgemäße Reparaturen erhebliche Folgeschäden entstehen können.
- ▶ Wenn das Netzkabel beschädigt ist, muss es durch den Kundendienst (siehe Garantiekarte) ersetzt werden, um eine Gefahr auszuschließen..

10.1 Fehlerbehebung mit Display-Codes



Hinweis: Fehlerbehebung

- ▶ Zum Löschen der Fehlermeldung Ein/Aus-Taste drücken. Sollten die Fehlermeldungen auch nach der ergriffenen Maßnahme erneut erscheinen, schalten Sie das Gerät aus, ziehen den Netzstecker und benachrichtigen Sie den Kundendienst .
- ▶ Falls Sie gebeten werden, den Kundendienst zu kontaktieren, notieren Sie bitte die Fehlermeldung und handeln gemäß Kapitel KUNDENDIENST.

Fehler code	Ursache	Lösung
E1	Kurzschluss oder unterbrochene Schaltung des Niedrigtemperatursensors.	
F4	Kurzschluss oder unterbrochene Schaltung des Sensors im oberen Abteil.	Bitte rufen Sie den Kundendienst damit er den Sensor austauscht.
F5	Kurzschluss oder unterbrochene Schaltung des Sensors im unteren Abteil.	
H1	Warnung weil die Temperatur des oberen Abteils seit 3 Stunden höher als 25 °C ist.	Die Umgebungstemperatur ist zu hoch. Dieses Gerät ist für den Betrieb zwischen 16 °C und 38 °C bestimmt.
H2	Warnung weil die Temperatur des unteren Abteils seit 3 Stunden höher als 25 °C ist.	
L1	Der Kompressor hat aufgehört zu arbeiten weil die Temperatur des oberen Abteils niedriger als 0 °C ist. Die Fehlermeldung bedeutet, dass die Temperatur seit 2 Stunden niedriger als 0 °C ist.	Die Umgebungstemperatur ist zu niedrig. Dieses Gerät ist für den Betrieb zwischen 16 °C und 38 °C bestimmt.
L2	Der Kompressor hat aufgehört zu arbeiten weil die Temperatur des unteren Abteils niedriger als 0 °C ist. Die Fehlermeldung bedeutet, dass die Temperatur seit 2 Stunden niedriger als 0 °C ist.	

10.2 Fehlerbehebung ohne Display-Codes

Problem	Mögliche Ursachen	Mögliche Lösungen
Der Kompressor läuft nicht.	<ul style="list-style-type: none"> • Der Netzstecker ist nicht mit der Steckdose verbunden. 	<ul style="list-style-type: none"> • Verbindung herstellen.
Das Gerät springt häufig an oder läuft zu lange.	<ul style="list-style-type: none"> • Die Innen- oder Außentemperatur ist zu hoch. • Das Gerät war über einen längeren Zeitraum ausgeschaltet. • Eine Gerätetür ist nicht richtig geschlossen. • Die Tür wurde zu häufig oder zu lange geöffnet. • Die Temperatur ist zu niedrig eingestellt. • Die Türdichtung ist verschmutzt, abgenutzt, rissig oder verrutscht. • Die erforderliche Luftzirkulation ist nicht gewährleistet. 	<ul style="list-style-type: none"> • In diesem Fall ist es normal, dass das Gerät länger läuft. • In der Regel dauert mehrere Stunden, bis das Gerät seine Betriebstemperatur erreicht hat. • Tür schließen. Darauf achten, dass das Gerät auf einem ebenen Untergrund steht und keine Flaschen oder Behälter an die Tür stoßen. • Tür so wenig wie möglich öffnen. • Die Temperatur auf einen höheren Wert einstellen, bis eine zufriedenstellende Temperatur erreicht ist. • Dichtung reinigen und ggf. vom Kundendienst ersetzen lassen. • Eine ausreichende Belüftung sicherstellen.
Der Innenraum des Kühlabteils ist verschmutzt und/oder riecht unangenehm.	<ul style="list-style-type: none"> • Der Innenraum des Gerätes muss gereinigt werden. 	<ul style="list-style-type: none"> • Den Innenraum des Gerätes reinigen.
Im Gerät wird es nicht kalt genug	<ul style="list-style-type: none"> • Der Temperaturregler ist auf „schwach“ eingestellt. • Vor kurzem wurden Flaschen in das Gerät gefüllt. • Die Tür ist nicht richtig geschlossen. • Die Tür wurde zu häufig oder zu lange geöffnet. • Die Türdichtung ist verschmutzt, abgenutzt, rissig oder verrutscht. 	<ul style="list-style-type: none"> • Temperatur neu einstellen. • Neu hinzugefügte Flaschen brauchen einige Zeit um abzukühlen. • Tür schließen. • Tür so selten wie möglich öffnen. • Die Dichtungen reinigen oder durch den Kundendienst ersetzen lassen.
Im Gerät ist es zu kalt	<ul style="list-style-type: none"> • Die Temperatur ist auf einen zu niedrigen Wert eingestellt. 	<ul style="list-style-type: none"> • Temperatur neu einstellen

Problem	Mögliche Ursachen	Mögliche Lösungen
Im Kühlteil hat sich Feuchtigkeit gebildet	<ul style="list-style-type: none"> • Das Gerät befindet sich in einer zu warmen und zu feuchten Umgebung. • Die Tür ist nicht richtig geschlossen. • Die Tür wurde zu häufig oder zu lange geöffnet. 	<ul style="list-style-type: none"> • Temperatur mittels Temperaturregler leicht erhöhen. • Tür schließen. • Tür so selten wie möglich öffnen.
Feuchtigkeit sammelt sich auf den Außenflächen des Gerätes.	<ul style="list-style-type: none"> • Die Luftfeuchtigkeit ist zu hoch. • Die Tür ist nicht richtig geschlossen. Die kalte Luft in dem Gerät und die warme Außenluft kondensieren. 	<ul style="list-style-type: none"> • Das ist bei feuchtem Klima normal und ändert sich mit abnehmender Luftfeuchtigkeit. • Darauf achten, dass die Tür richtig geschlossen ist und dass die Dichtungen richtig schließen.
Das Gerät gibt ungewöhnliche Geräusche von sich.	<ul style="list-style-type: none"> • Das Gerät steht nicht auf ebenem Untergrund. • Das Gerät stößt an einen Gegenstand. 	<ul style="list-style-type: none"> • Das Gerät durch seine verstellbaren Füße so ausrichten, dass es gerade steht. • Um das Gerät stehende Gegenstände entfernen.
Ein leises Geräusch wie von fließendem Wasser ist zu hören.	<ul style="list-style-type: none"> • Das ist normal. 	<ul style="list-style-type: none"> • -
Die Innenbeleuchtung und/oder das Kühlsystem funktionieren nicht	<ul style="list-style-type: none"> • Der Netzstecker ist nicht mit der Steckdose verbunden. • Die Stromversorgung ist nicht intakt. • Die LED-Lampe ist defekt. 	<ul style="list-style-type: none"> • Verbindung herstellen. • Stromversorgung überprüfen. Bei jeglichem Defekt ist ein Elektrofachmann zu verständigen! • LED Lampe durch Kundendienst austauschen lassen.
Die Seiten des Gehäuses sowie die Türleiste werden warm.	<ul style="list-style-type: none"> • Das ist normal. 	<ul style="list-style-type: none"> • -
Die Tür schließt nicht richtig,	<ul style="list-style-type: none"> • Das Gerät steht nicht auf ebenem Untergrund. • Etwas blockiert die Tür. 	<ul style="list-style-type: none"> • Das Gerät durch seine verstellbaren Füße so ausrichten, dass es gerade steht. • Blockade, zum Beispiel Flaschen oder Fächer, entfernen.

11.1 Produktdatenblatt gemäß Verordnung EU 1060/2010

Marke	Haier
Modelkennung	WS53GDA
Kategorie	Weinkeller
Haushaltskühlgerätekategorie	2
Energieeffizienzklasse	A
Energieverbrauch (kWh/Jahr) ¹⁾	135
Nutzzinhalt Kühlen (L)	-
- des Weinlagerfachs	172
Nutzzinhalt Gefrieren (L)	-
Stern-Einstufung	-
Niedrigste Lagertemperatur des Weinlagerfachs	5 °C
Frostfrei System	-
Klimaklasse Dieses Gerät ist für den Betrieb bei einer Umgebungstemperatur zwischen 16 °C und 38 °C bestimmt.	ST
Luftschallemissionen (dB(A) re 1pW)	40
Gerätetyp	Standgerät
Dieses Gerät ist ausschließlich für die Lagerung von Wein gedacht	Ja

¹⁾Auf der Grundlage von Ergebnissen der Normprüfung über 24 Stunden. Der tatsächliche Verbrauch hängt von der Nutzung und vom Standort des Geräts ab..

11.2 Zusätzliche technische Daten

Nutzzinhalt (L)	172
Spannung / Frequenz	220-240 V~/50 Hz
Input power (W)	70
Nennstrom (A)	0.5
Hauptsicherung (A)	0.4
Kühlmittel	R600a
Abmessungen (B/H/T in mm)	560/500/1270

11.3 Normen und Richtlinien

Dieses Produkt erfüllt die Anforderungen aller anwendbaren EG-Richtlinien, die eine CE-Kennzeichnung vorsehen.

Wir empfehlen Ihnen unseren Haier Kundendienst und die Verwendung von Original Ersatzteilen.

Sollte eine Störung an Ihrem Gerät auftreten, überprüfen Sie bitte zuerst die Hinweise im Kapitel FEHLERBEHEBUNG.

Wenn Sie dort keine Lösung finden, kontaktieren Sie bitte

- ▶ Ihren Händler vor Ort oder
- ▶ unseren Kundenservice im Internet unter www.haier.com.
Hier finden Sie Service-Telefonnummern sowie die Garantiebedingungen und können eine Reparaturanfrage stellen.

Wenn Sie unseren Kundendienst kontaktieren, halten Sie bitte folgende Gerätedaten bereit; (Diese Informationen finden Sie auf dem Typenschild.):

Model _____ Serial No. _____

Im Garantiefall ziehen Sie bitte auch die Informationen auf der Garantiekarte zu Rate.

Für allgemeine Geschäftsanfragen nutzen Sie bitte die folgenden Adressen in Europa:

Europäische Haier Adressen			
Land*	Postanschrift	Land*	Postanschrift
Italien	Haier Europe Trading SRL Via De Cristoforis, 12 21100 Verese ITALY	Frankreich	Haier France SAS 3-5 rue des Gravier 92200 Neuilly sur Seine FRANCE
Spanien Portugal	Haier Iberia SL Pg. Garcia Faria, 49-51 08019 Barcelona SPAIN	Belgien-FR Belgien-NL Niederlande Luxemburg	Haier Benelux SA Anderlecht Route de Lennik 451 BELGIUM
Deutschland Österreich	Haier Deutschland GmbH Hewlett-Packard-Str. 4 D-61352 Bad Homburg GERMANY	Polen Tschechien Ungarn Griechenland Rumänien Russland	Haier Poland Sp. zo.o. Al. Jerozolimskie 181B 02-222 Warszawa POLAND
Großbritannien	Haier Appliances UK Co.Ltd. One Crown Square Church Street East Woking, Surrey, GU21 6HR UK		

* Die Telefonnummern von weiteren Ländern finden Sie im Internet unter www.haier.com

WS53GDA_DE_V07_110617

Haier



Εγχειρίδιο χρήσης

Ψύκτης κρασιών

WS53GDA

GR

Haier

Ευχαριστούμε που προμηθευτήκατε ένα προϊόν Haier.

Διαβάστε προσεκτικά τις παρακάτω οδηγίες πριν χρησιμοποιήσετε τη συσκευή. Οι οδηγίες περιέχουν σημαντικές πληροφορίες για να αξιοποιήσετε στο μέγιστο τη συσκευή σας και να εξασφαλίσετε την ασφαλή και σωστή εγκατάσταση, χρήση και συντήρησή της.

Φυλάξτε το παρόν εγχειρίδιο σε θέση που να σας επιτρέπει να το συμβουλευέστε εύκολα σχετικά με την ασφαλή και σωστή χρήση της συσκευής.

Αν πρόκειται να πωλήσετε, να χαρίσετε ή να αφήσετε πίσω τη συσκευή όταν μετακομίζετε, πρέπει να παραδώσετε μαζί και το παρόν εγχειρίδιο, ώστε ο νέος ιδιοκτήτης να εξοικειωθεί με τη συσκευή και τις προειδοποιήσεις ασφαλείας.



Υπόμνημα

Προειδοποίηση – Σημαντικές πληροφορίες ασφαλείας



Γενικές πληροφορίες και πρακτικές συμβουλές



Πληροφορίες για το περιβάλλον

Τελική διάθεση



Προστατέψτε το περιβάλλον και την υγεία των ανθρώπων. Απορρίψτε τα υλικά συσκευασίας σε ειδικούς κάδους ανακύκλωσης. Βοηθήστε στην ανακύκλωση των αποβλήτων των ηλεκτρικών και ηλεκτρονικών συσκευών. Μην απορρίπτετε μαζί με τα οικιακά απορρίμματα τις συσκευές που επισημαίνονται με αυτό το σύμβολο. Επιστρέψτε το προϊόν στη μονάδα ανακύκλωσης της περιοχής σας ή επικοινωνήστε με τη δημοτική αρχή.

Οι πόρτες και οι στεγανοποιήσεις πρέπει να αφαιρεθούν πριν την απόρριψη της συσκευής, ώστε να μην μπορούν να κλειδωθούν παιδιά μέσα σε αυτή.



ΠΡΟΕΙΔΟΠΟΙΗΣΗ!

Κίνδυνος τραυματισμού ή πρόκλησης ασφυξίας!

Τα ψυκτικά υγρά και αέρια πρέπει να απορρίπτονται με επαγγελματικό τρόπο. Πριν τη σωστή απόρριψη του προϊόντος, βεβαιωθείτε ότι δεν έχουν υποστεί ζημιά οι σωληνώσεις του ψυκτικού κυκλώματος. Αποσυνδέστε τη συσκευή από την παροχή ρεύματος δικτύου. Κόψτε το καλώδιο ρεύματος και απορρίψτε το. Αφαιρέστε τα ράφια και το κιβώτιο νερού καθώς και την κλειδαριά και τις στεγανοποιήσεις της πόρτας, ώστε να μην μπορούν να παγιδευτούν μέσα στη συσκευή παιδιά και κατοικίδια.

1- Πληροφορίες για την ασφάλεια.....	4
2- Προβλεπόμενη χρήση	7
3- Περιγραφή προϊόντος	8
4- Πίνακας ελέγχου.....	9
5- Εγκατάσταση	10
6- Χρήση.....	13
7- Πρακτικές συμβουλές εξοικονόμησης ενέργειας	15
8 - Εξοπλισμός	16
9- Φροντίδα και καθαρισμός.....	17
10- Αντιμετώπιση προβλημάτων	19
11- Τεχνικά χαρακτηριστικά	22
12- Εξυπηρέτηση πελατών	23

Πριν ενεργοποιήσετε πρώτη φορά τη συσκευή διαβάστε τις παρακάτω υποδείξεις ασφαλείας!:



ΠΡΟΕΙΔΟΠΟΙΗΣΗ!

Πριν από την πρώτη χρήση

- ▶ Βεβαιωθείτε ότι δεν έχει υποστεί ζημιά κατά τη μεταφορά.
- ▶ Αφαιρέστε όλα τα υλικά συσκευασίας και κρατήστε τα μακριά από παιδιά.
- ▶ Αν ο ψύκτης κρασιών είχε τοποθετηθεί εκτός της κατακόρυφης θέσης για οποιοδήποτε λόγο, περιμένετε 24 ώρες πριν τον συνδέσετε στο ρεύμα.
- ▶ Η συσκευή είναι βαριά, γι' αυτό χρειάζονται πάντα τουλάχιστον δύο άτομα για τη μετακίνησή της.

Εγκατάσταση

- ▶ Η συσκευή πρέπει να τοποθετηθεί σε καλά αεριζόμενο χώρο. Εξασφαλίστε απόσταση τουλάχιστον 10 cm γύρω από τη συσκευή. Προορίζεται μόνο για αυτόνομη εγκατάσταση, όχι για εντοιχισμένη εγκατάσταση.
- ▶ Σε καμία περίπτωση μην τοποθετήσετε τη συσκευή σε υγρή περιοχή ή σε θέση όπου μπορεί να πιτσιλιστεί με νερό. Καθαρίζετε και στεγνώνετε τα πιτσιλίσματα και τις κηλίδες χρησιμοποιώντας ένα μαλακό και καθαρό πανί.
- ▶ Μην εγκαταστήσετε τον ψύκτη κρασιών σε οποιαδήποτε θέση που δεν είναι σωστά μονωμένη ή θερμαινόμενη, π.χ. σε γκαράζ κλπ. Ο ψύκτης κρασιών δεν έχει σχεδιαστεί να λειτουργεί σε θερμοκρασία περιβάλλοντος μικρότερη από 16 °C.
- ▶ Μην εγκαταστήσετε τη συσκευή σε θέση όπου δέχεται άμεσο ηλιακό φως ή κοντά σε πηγές θερμότητας (π.χ. ηλεκτρική κουζίνα, συσκευές θέρμανσης).
- ▶ Εγκαταστήστε και οριζοντίωστε τη συσκευή σε χώρο κατάλληλο για το μέγεθος και τη χρήση της.
- ▶ Διατηρείτε ανεμπόδιστα τα ανοίγματα αερισμού στη συσκευή ή στην κατασκευή εντοιχισμού.
- ▶ Βεβαιωθείτε ότι τα ηλεκτρικά χαρακτηριστικά στην πινακίδα τύπου συμφωνούν με την παροχή ρεύματος. Διαφορετικά, επικοινωνήστε με ηλεκτρολόγο.
- ▶ Η συσκευή λειτουργεί με παροχή ρεύματος 220-240 VAC/50 Hz. Τυχόν μη φυσιολογική διακύμανση της τάσης μπορεί να προκαλέσει αδυναμία έναρξης λειτουργίας της συσκευής, ή ζημιά στο σύστημα ελέγχου της θερμοκρασίας ή στο συμπιεστή, ή μη φυσιολογικό θόρυβο κατά τη λειτουργία. Σε μία τέτοια περίπτωση πρέπει να εγκατασταθεί αυτόματος ρυθμιστής.
- ▶ Χρησιμοποιήστε μια ξεχωριστή, εύκολα προσβάσιμη, γειωμένη πρίζα για την παροχή ρεύματος. Η συσκευή πρέπει να γειωθεί.
- ▶ Μόνο για το Ην. Βασίλειο: Το καλώδιο ρεύματος της συσκευής διαθέτει φως 3 αγωγών (με γείωση) που αντιστοιχεί σε τυπική πρίζα 3 αγωγών (γειωμένη). Σε καμία περίπτωση μην κόψετε ή αφαιρέσετε τον τρίτο ακροδέκτη (γείωσης). Μετά την εγκατάσταση της συσκευής, το φως πρέπει να είναι προσβάσιμο.
- ▶ Μη χρησιμοποιείτε πολύπριζα και καλώδια επέκτασης.
- ▶ Βεβαιωθείτε ότι το καλώδιο ρεύματος δεν έχει παγιδευτεί από τον ψύκτη κρασιών. Μην πατάτε πάνω στο καλώδιο ρεύματος.



ΠΡΟΕΙΔΟΠΟΙΗΣΗ!

Καθημερινή χρήση

- ▶ Η συσκευή αυτή μπορεί να χρησιμοποιηθεί από παιδιά από 8 ετών και άνω και από άτομα με μειωμένες σωματικές, αντιληπτικές ή διανοητικές ικανότητες ή με έλλειψη εμπειρίας και γνώσης, αν τους έχει δοθεί επιτήρηση ή εκπαίδευση σχετικά με την ασφαλή χρήση της συσκευής και κατανοούν τους ενεχόμενους κινδύνους.
- ▶ Κρατάτε τα παιδιά κάτω των 3 ετών μακριά από τη συσκευή, εκτός αν βρίσκονται υπό τη διαρκή επίβλεψη ενηλίκων.
- ▶ Τα παιδιά δεν πρέπει να παίζουν με τη συσκευή.
- ▶ Σε περίπτωση διάρροης ψυκτικού αερίου ή άλλου εύφλεκτου αερίου στην περιοχή του ψυγείου, κλείστε τη βαλβίδα του αερίου που διαρρέει, ανοίξτε τις πόρτες και τα παράθυρα και μη συνδέσετε στην πρίζα ή αποσυνδέσετε από την πρίζα το καλώδιο ρεύματος του ψύκτη κρασιών ή οποιασδήποτε άλλης συσκευής.
- ▶ Έχετε υπόψη σας ότι το προϊόν προορίζεται για λειτουργία σε συγκεκριμένο εύρος θερμοκρασιών περιβάλλοντος από 16 έως 38 °C. Η συσκευή μπορεί να μη λειτουργεί σωστά εάν παραμείνει για παρατεταμένο χρονικό διάστημα σε θερμοκρασία μεγαλύτερη ή μικρότερη από το αναφερόμενο εύρος.
- ▶ Μην τοποθετείτε πάνω στον ψύκτη κρασιών ασταθή αντικείμενα (βαριά αντικείμενα, δοχεία με νερό), για να αποφύγετε τραυματισμό ατόμων λόγω πτώσης ή ηλεκτροπληξία λόγω επαφής με το νερό.
- ▶ Ανοίγετε και κλείνετε τις πόρτες μόνο από τις λαβές. Το διάκενο ανάμεσα στις πόρτες και ανάμεσα στις πόρτες και στον ψύκτη είναι πολύ μικρό. Μην τοποθετείτε τα χέρια σας σε αυτά τα σημεία, για να μην τραυματίσετε τα δάκτυλά σας. Ανοίγετε ή κλείνετε τις πόρτες του ψύκτη κρασιού μόνο όταν δεν στέκονται παιδιά σε όλο το εύρος κίνησης της πόρτας.
- ▶ Μην αποθηκεύετε ή χρησιμοποιείτε εύφλεκτα, εκρηκτικά ή διαβρωτικά υλικά μέσα ή κοντά στη συσκευή.
- ▶ Μην αποθηκεύετε μέσα στη συσκευή εκρηκτικά υλικά, όπως δοχεία αεροζόλ με εύφλεκτα προωθητικά υλικά.
- ▶ Μην αποθηκεύετε στο ψυγείο φάρμακα, βακτηρίδια ή χημικές ουσίες. Αυτή η συσκευή είναι οικιακή συσκευή. Δεν συνιστάται να αποθηκεύετε υλικά που χρειάζονται ακριβή ρύθμιση της θερμοκρασίας.
- ▶ Για τη σωστή ψύξη των κρασιών, μην υπερφορτώνετε τη συσκευή.
- ▶ Μην προξενήσετε ζημιά στο ψυκτικό κύκλωμα.
- ▶ Μη ρυθμίζετε υπερβολικά χαμηλή θερμοκρασία στον ψύκτη κρασιών.
- ▶ Αποσυνδέετε το ψυγείο από την πρίζα σε περίπτωση διακοπής ρεύματος ή πριν τον καθαρισμό. Περιμένετε τουλάχιστον 5 λεπτά πριν επανεκκινήσετε τη συσκευή, καθώς η συχνή εκκίνηση μπορεί να προκαλέσει ζημιά στον συμπιεστή.



ΠΡΟΕΙΔΟΠΟΙΗΣΗ!

Καθημερινή χρήση

- ▶ Μη χρησιμοποιείτε ηλεκτρικές συσκευές μέσα στους χώρους της συσκευής, εκτός αν τις συσκευές τις συνιστά ο κατασκευαστής.

Συντήρηση/ καθαρισμός

- ▶ Βεβαιωθείτε ότι τα παιδιά είναι υπό επίβλεψη αν διεξάγουν εργασίες καθαρισμού ή συντήρησης.
- ▶ Αποσυνδέετε τη συσκευή από την παροχή ρεύματος πριν από τη διεξαγωγή οποιασδήποτε εργασίας τακτικής συντήρησης. Περιμένετε τουλάχιστον 5 λεπτά πριν επανεκκινήσετε τη συσκευή, καθώς η συχνή εκκίνηση μπορεί να προκαλέσει ζημιά στον συμπιεστή.
- ▶ Τραβάτε το φιν, όχι το καλώδιο, όταν αποσυνδέετε τη συσκευή από την πρίζα.
- ▶ Αν το καλώδιο τροφοδοσίας έχει υποστεί ζημιά, πρέπει να αντικατασταθεί από τον κατασκευαστή, τον αντιπρόσωπό του για σέρβις ή από άτομα με παρόμοια εξειδίκευση, για την πρόληψη κινδύνου.
- ▶ Μην επιχειρήσετε να επισκευάσετε, αποσυναρμολογήσετε ή τροποποιήσετε τη συσκευή μόνος/η σας. Σε περίπτωση ανάγκης επισκευής, επικοινωνήστε με την εξυπηρέτηση πελατών μας.
- ▶ Καθαρίζετε τη σκόνη στο πίσω μέρος της μονάδας τουλάχιστον μία φορά το χρόνο για να αποφύγετε τον κίνδυνο πυρκαγιάς αλλά και την αυξημένη κατανάλωση ενέργειας.
- ▶ Μην ψεκάζετε ή ξεπλύνετε τη συσκευή κατά τον καθαρισμό.
- ▶ Μην ψεκάζετε με νερό ή ατμό για να καθαρίσετε τη συσκευή.
- ▶ Μην καθαρίζετε τις κρύες γυάλινες πόρτες χρησιμοποιώντας ζεστό νερό. Η απότομη αλλαγή θερμοκρασίας μπορεί να προκαλέσει θραύση του γυαλιού.

Πληροφορίες για το ψυκτικό αέριο



ΠΡΟΕΙΔΟΠΟΙΗΣΗ!

Η συσκευή περιέχει το εύφλεκτο ψυκτικό μέσο ΙΣΟΒΟΥΤΑΝΙΟ (R600a). Βεβαιωθείτε ότι το ψυκτικό κύκλωμα δεν έχει υποστεί ζημιά κατά τη μεταφορά ή την εγκατάσταση. Η διαρροή ψυκτικού μέσου μπορεί να προκαλέσει τραυματισμό στα μάτια ή ανάφλεξη. Εάν έχει προκληθεί ζημιά, κρατήστε μακριά τις πηγές γυμνής φλόγας, αερίστε καλά το δωμάτιο, **μη** συνδέσετε ή αποσυνδέσετε από την πρίζα τα καλώδια ρεύματος αυτής ή οποιασδήποτε άλλης συσκευής. Ενημερώστε την εξυπηρέτηση πελατών.

Σε περίπτωση επαφής του ψυκτικού μέσου με τα μάτια, ξεπλύνετε αμέσως με άφθονο τρεχούμενο νερό και καλέστε αμέσως οφθαλμίατρο.

2.1 Προβλεπόμενη χρήση

Η συσκευή αυτή προορίζεται να χρησιμοποιείται αποκλειστικά για την αποθήκευση κρασιού. Έχει σχεδιαστεί αποκλειστικά για χρήση σε ξηρούς εσωτερικούς οικιακούς χώρους. Προορίζεται αυστηρά για οικιακή χρήση. Δεν προορίζεται για επαγγελματική ή βιομηχανική χρήση.

Δεν επιτρέπονται αλλαγές ή τροποποιήσεις της συσκευής. Τυχόν χρήση πέραν της προβλεπόμενης μπορεί να προκαλέσει κινδύνους και απώλεια της εγγύησης.

2.2 Αξεσουάρ

Ελέγξτε τα αξεσουάρ και το έντυπο υλικό σύμφωνα με την παρακάτω λίστα (Εικ. 2.2):



2 πλήκτρα



Ενεργειακή
ετικέτα



Κάρτα
εγγύησης



Εγχειρίδιο
χρήσης

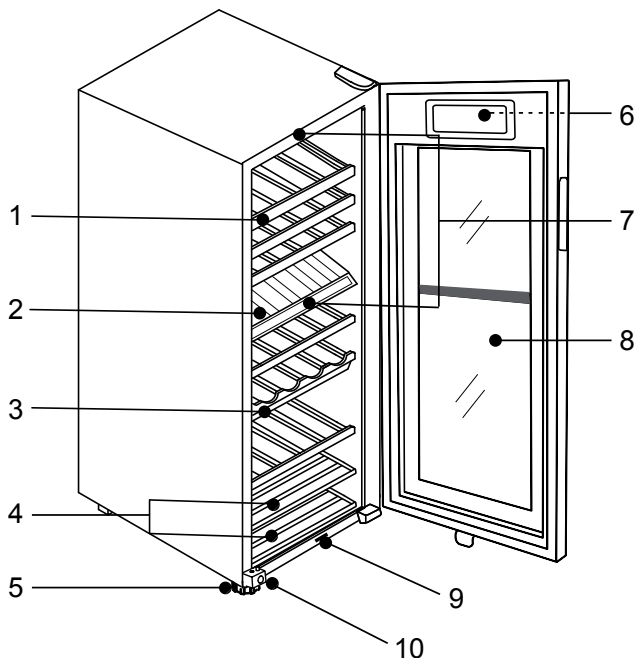
2.2

i Ειδοποίηση: Διαφορές

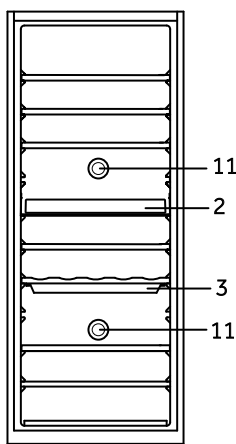
Λόγω τεχνικών αλλαγών και διαφορετικών μοντέλων, ορισμένες από τις εικόνες σε αυτό το εγχειρίδιο ενδέχεται να διαφέρουν από το μοντέλο που έχετε.

Εικόνα της συσκευής (Εικ. 3.1 και Εικ. 3.2)

3.1

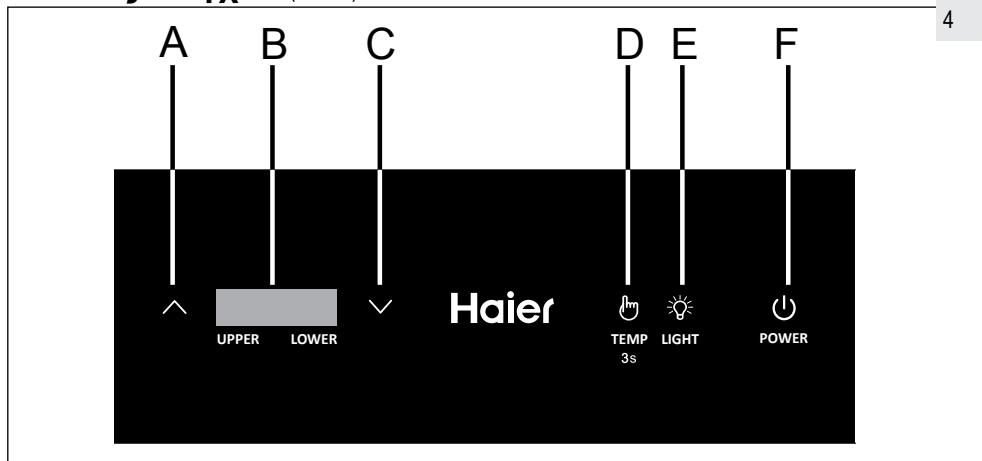


3.2



- 1 Εσωτερικά ράφια
- 2 Μεσαίο χώρισμα
- 3 Κουτί αποθήκευσης νερού
- 4 Ράφια μικρότερου μήκους
- 5 Ρυθμιζόμενα πόδια οριζόντιωσης
- 6 Οθόνη ενδείξεων (στην πρόσοψη της πόρτας)
- 7 Λυχνία LED
- 8 Πόρτα
- 9 Διακόπτης για φωτισμό και ανεμιστήρα
- 10 Κλειδαριά
- 11 Φίλτρα άνθρακα/σύστημα αφαίρεσης οσμών

Πίνακας ελέγχου (Εικ. 4)



4

- A Κουμπί ρύθμισης θερμοκρασίας: αύξηση
- B Ένδειξη θερμοκρασίας
- C Κουμπί ρύθμισης θερμοκρασίας: μείωση
- D Κουμπί ρύθμισης θερμοκρασίας
- E Κουμπί εσωτερικού φωτισμού και αλλαγής °C/°F
- F Κουμπί ενεργοποίησης

5.1 Αποσυσκευασία

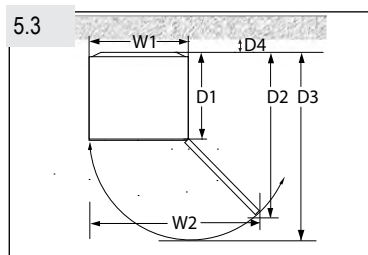


ΠΡΟΕΙΔΟΠΟΙΗΣΗ!

- ▶ Η συσκευή είναι βαριά. Να μετακινείται πάντα από τουλάχιστον δύο άτομα.
- ▶ Φυλάξτε όλα τα υλικά συσκευασίας μακριά από παιδιά και απορρίψτε τα με τρόπο φιλικό προς το περιβάλλον.
- ▶ Αφαιρέστε τη συσκευή από τη συσκευασία.
- ▶ Αφαιρέστε όλα τα μέρη τη συσκευασίας περιλαμβανομένης της βάσης από αφρώδες υλικό και όλη την κολλητική ταινία που συγκρατεί τα αξεσουάρ.

5.2 Συνθήκες του περιβάλλοντος

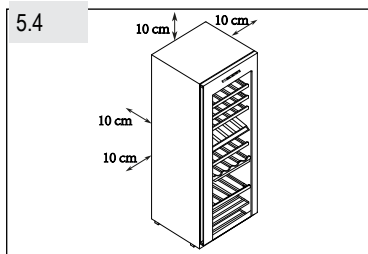
Η θερμοκρασία δωματίου πρέπει να κυμαίνεται πάντα μεταξύ 16 °C και 38 °C, εφόσον μπορεί να επηρεάσει τη θερμοκρασία στο εσωτερικό της συσκευής αλλά και την κατανάλωση ενέργειας. Μην εγκαθιστάτε τη συσκευή κοντά σε συσκευές που εκπέμπουν θερμότητα (φούρνοι, ψυγεία) χωρίς μόνωση.



5.3 Απαιτούμενος χώρος

Απαιτούμενος χώρος για άνοιγμα της πόρτας (Εικ. 5.3):

Πλάτος σε mm		Βάθος σε mm			Απόσταση ως τον τοίχο σε mm
W1	W2	D1	D2	D3	D4
500	830	495	890	1015	100



5.4 Χώρος αερισμού

Για λόγους ασφάλειας και εξοικονόμησης ενέργειας, πρέπει να τηρείται η απαιτούμενη απόσταση αερισμού των 10 cm σε όλες τις κατευθύνσεις (Εικ. 5.4).



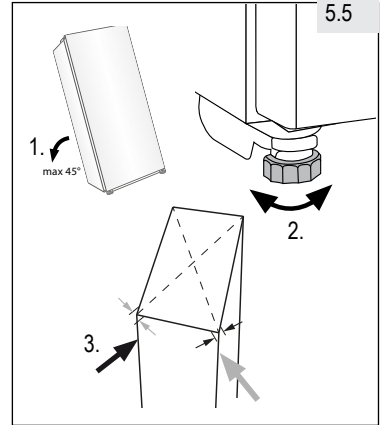
ΠΡΟΕΙΔΟΠΟΙΗΣΗ!

- ▶ Διατηρείτε ανεμπόδιστα τα ανοίγματα αερισμού στη συσκευή ή στην κατασκευή εντοιχισμού.

5.5 Ευθυγράμμιση της συσκευής

Η συσκευή πρέπει να τοποθετείται σε επίπεδη και σταθερή επιφάνεια.

1. Γείρετε τη συσκευή ελαφρά προς τα πίσω (Εικ. 5.5).
2. Ρυθμίστε τα ρυθμιζόμενα μπροστινά πόδια στο επιθυμητό επίπεδο περιστρέφοντάς τα.
3. Μπορείτε να ελέγξετε τη σταθερότητα χτυπώντας ελαφρά εναλλάξ στις διαγωνίους. Η ελαφρά ταλάντευση πρέπει να είναι ίδια και στις δύο κατευθύνσεις. Διαφορετικά, το πλαίσιο μπορεί να παραμορφωθεί με αποτέλεσμα πιθανή διαρροή από τις στεγανοποιήσεις πόρτας. Μια ελαφρά κλίση προς τα πίσω διευκολύνει το κλείσιμο της πόρτας.

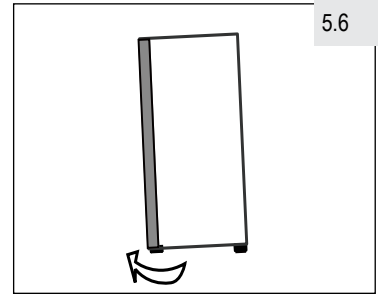


5.6 Ακριβής ρύθμιση της πόρτας

Η συσκευή κλείνει ευκολότερα αν χρησιμοποιηθούν τα πόδια οριζοντίωσης στο μπροστινό μέρος:

Περιστρέψτε τα ρυθμιζόμενα πόδια στην κατεύθυνση του βέλους (Εικ. 5.6) για να ανυψώσετε ή να χαμηλώσετε τα πόδια.

- ▶ Περιστρέφοντας τα πόδια δεξιόστροφα, η συσκευή ανυψώνεται.
- ▶ Περιστρέφοντας τα πόδια αριστερόστροφα, η συσκευή χαμηλώνει.



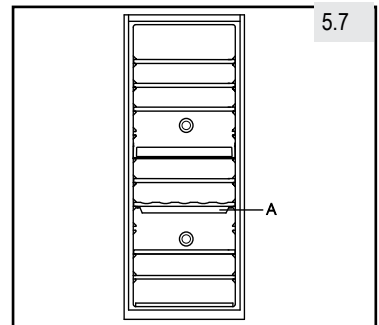
ΠΡΟΕΙΔΟΠΟΙΗΣΗ!

- ▶ Μη σηκώνετε τη συσκευή από λαβές θυρών.
- ▶ Ποτέ μην τοποθετείτε τη συσκευή οριζόντια στο έδαφος.
- ▶ Αν έχετε γείρει τη συσκευή περισσότερο από 45°, περιμένετε 24 ώρες πριν τη συνδέσετε στο ρεύμα.

5.7 Γέμισμα του κιβωτίου αποθήκευσης νερού

Το κιβώτιο αποθήκευσης νερού (Α στην Εικ. 5.7) θα πρέπει να είναι πάντα γεμισμένο ώστε να διατηρείται η υγρασία μέσα στον ψύκτη κρασιών. Παρακαλούμε να προσθέσετε το νερό πριν ενεργοποιήσετε τον ψύκτη κρασιών. Το νερό πρέπει πάντα να καλύπτει τον πυθμένα του κιβωτίου κατά τη χρήση του ψύκτη κρασιών.

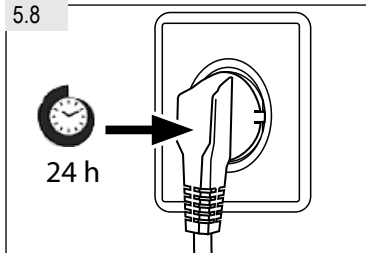
1. Αφαιρέστε το κιβώτιο νερού.
2. Προσθέστε νερό. Θα πρέπει να γεμίζει περίπου τα 2/3 του κιβωτίου.



ΠΡΟΕΙΔΟΠΟΙΗΣΗ!

- ▶ Πριν μετακινήσετε τον ψύκτη κρασιών, αφαιρέστε το κιβώτιο αποθήκευσης νερού για να μη χυθεί νερό.

5.8



5.8 Χρόνος αναμονής

Το λιπαντικό λάδι που δεν απαιτεί συντήρηση βρίσκεται μέσα στο θαλαμίσκο του συμπιεστή. Αυτό το λάδι μπορεί να περάσει μέσα από το κλειστό σύστημα σωλήνων κατά τη μεταφορά σε περίπτωση που γείρετε τη συσκευή. Πριν συνδέσετε τη συσκευή στην παροχή ρεύματος, περιμένετε 24 ώρες (Εικ. 5.8) ώστε το λάδι να επιστρέψει στο θαλαμίσκο.

5.9 Ηλεκτρική σύνδεση

Πριν από κάθε σύνδεση ελέγξτε αν ισχύουν τα εξής:

- ▶ η ηλεκτρική παροχή, η πρίζα και η ασφάλεια συμφωνούν με τα στοιχεία στην πινακίδα τύπου.
- ▶ η πρίζα είναι γειωμένη και δεν χρησιμοποιείται πολύπριζο ή προέκταση.
- ▶ το φως ρευματοληψίας ταιριάζει σωστά στην πρίζα.

Συνδέστε το φως σε μια κατάλληλη οικιακή πρίζα.



ΠΡΟΕΙΔΟΠΟΙΗΣΗ!

Για να αποφύγετε τυχόν κινδύνους, πρέπει να ζητάτε η αντικατάσταση καλωδίων ρεύματος που έχει υποστεί ζημιά να γίνει από την εξυπηρέτηση πελατών (βλ. κάρτα εγγύησης).

6.1 Πριν την πρώτη χρήση

- ▶ Αφαιρέστε όλα τα υλικά συσκευασίας. Σε αυτά περιλαμβάνεται η βάση από αφρώδες υλικό και όλες οι κολλητικές ταινίες που συγκρατούν τα αξεσουάρ του ψύκτη κρασιών, εσωτερικά και εξωτερικά. Φυλάξτε τα μακριά από παιδιά και απορρίψτε τα με τρόπο φιλικό προς το περιβάλλον.
- ▶ Καθαρίστε το εσωτερικό και το εξωτερικό της συσκευής με νερό και ένα ήπιο απορρυπαντικό πριν τοποθετήσετε τα τρόφιμα.
- ▶ Αφού οριζοντιώσετε και καθαρίσετε τη συσκευή, περιμένετε τουλάχιστον 2 ώρες πριν τη συνδέσετε με το ηλεκτρικό ρεύμα. Αν ο ψύκτης κρασιών είχε τοποθετηθεί εκτός κατακόρυφης θέσης για οποιονδήποτε λόγο, περιμένετε 24 ώρες πριν τον συνδέσετε στο ρεύμα. Δείτε την ενότητα ΕΓΚΑΤΑΣΤΑΣΗ.
- ▶ Αφού έχετε συνδέσει τη μονάδα σε μια πρίζα ρεύματος, αφήστε τη να λειτουργήσει για τουλάχιστον 30 λεπτά για να εγκλιματιστεί πριν πραγματοποιήσετε οποιεσδήποτε ρυθμίσεις.
- ▶ Η θερμοκρασία ρυθμίζεται αυτόματα στους 12 °C και για τα δύο διαμερίσματα. Αν επιθυμείτε μπορείτε να αλλάξετε τη θερμοκρασία χειροκίνητα. Ανατρέξτε στην ενότητα ΘΕΡΜΟΚΡΑΣΙΑ.

6.2 Πλήκτρα αφής

Τα κουμπιά του πίνακα ελέγχου είναι πλήκτρα αφής, τα οποία ενεργοποιούνται με ένα ελαφρύ άγγιγμα με το δάχτυλο.

6.3 Ενεργοποίηση/ απενεργοποίηση της συσκευής

Για να ενεργοποιήσετε τη συσκευή, πιέστε το κουμπί ενεργοποίησης (E) για τρία δευτερόλεπτα. Για να την απενεργοποιήσετε πάλι, πιέστε ξανά το κουμπί Ενεργοποίησης.



ΠΡΟΕΙΔΟΠΟΙΗΣΗ!

- ▶ Για να επιμηκύνετε την ωφέλιμη διάρκεια ζωής της συσκευής, αποφεύγετε να την απενεργοποιείτε.
- ▶ Περιμένετε τουλάχιστον 5 λεπτά για να επανασυνδέσετε την τροφοδοσία ρεύματος από τη στιγμή που αποσυνδέθηκε το ρεύμα.

Όταν ενεργοποιηθεί για πρώτη φορά η συσκευή, εμφανίζεται η τρέχουσα θερμοκρασία (B) των διαμερισμάτων.



Ειδοποίηση: Προρρυθμίσεις

- ▶ Αφού έχετε συνδέσει τη μονάδα σε μια πρίζα ρεύματος, αφήστε τη να λειτουργήσει για τουλάχιστον 30 λεπτά για να εγκλιματιστεί πριν πραγματοποιήσετε οποιεσδήποτε ρυθμίσεις.
- ▶ Όταν η συσκευή ενεργοποιείται μετά από αποσύνδεση από την παροχή ηλεκτρικού ρεύματος, μπορεί να περάσουν αρκετές ώρες μέχρι να επιτευχθούν οι σωστές θερμοκρασίες. Ο ακριβής χρόνος διαφέρει ανάλογα με το περιβάλλον και τη ρύθμιση θερμοκρασίας.



Ειδοποίηση: Λειτουργία μνήμης κατά τη διακοπή ρεύματος

Μετά την αποκατάσταση της παροχής ρεύματος, η λειτουργία της συσκευής συνεχίζεται με τη ρύθμιση θερμοκρασίας που είχε επιλεγεί πριν τη διακοπή ρεύματος.

6.4 Λειτουργία αναμονής

Ο φωτισμός της οθόνης ενδείξων μειώνεται αυτόματα 35 δευτερόλεπτα μετά το τελευταίο πάτημα πλήκτρου. Ανάβει αυτόματα όταν πατηθεί οποιοδήποτε πλήκτρο ή ανοίξει η πόρτα.

6.5 Θερμοκρασία

Η θερμοκρασία του ψύκτη κρασιών έχει προρρυθμιστεί στους 12 °C. Μπορεί να τροποποιηθεί σε οποιαδήποτε θερμοκρασία μεταξύ 5 °C και 20 °C μεμονωμένα για τα διαμερίσματα.

6.5-1



6.5.1 Ρύθμιση της θερμοκρασίας (Εικ. 6.5-1)

1. Κρατήστε το κουμπί πατημένο για περίπου 3 δευτερόλεπτα. Η ένδειξη θερμοκρασίας για το πάνω διαμέρισμα αρχίζει να αναβοσβήνει.
2. Πιέστε το κουμπί ή για να αυξήσετε ή να μειώσετε τη θερμοκρασία. Όταν έχει επιτευχθεί η επιθυμητή θερμοκρασία, πιέστε το κουμπί .
3. Τώρα έχει ρυθμιστεί η θερμοκρασία για το πάνω διαμέρισμα και αρχίζει να αναβοσβήνει η θερμοκρασία για το κάτω διαμέρισμα.
4. Επαναλάβετε το βήμα 2 για να ρυθμίσετε τη θερμοκρασία για το κάτω διαμέρισμα. Αντί να πατάτε το κουμπί στο τέλος, μπορείτε απλά να περιμένετε 5 δευτερόλεπτα χωρίς να αγγίζετε την οθόνη.
5. Όταν σταματήσει να αναβοσβήνει η οθόνη, επιστρέφει στην ένδειξη τρέχουσας θερμοκρασίας μέσα στον ψύκτη κρασιών. Θα χρειαστεί ορισμένους χρόνους για να επιτευχθεί η ρυθμισμένη θερμοκρασία.

6.5.2 Αλλαγή μονάδων μεταξύ Κελσίου και Φαρενάιτ

Για να αλλάξετε την εμφανιζόμενη μονάδα θερμοκρασίας, πιέστε το κουμπί για περίπου 3 δευτερόλεπτα. Η εμφανιζόμενη θερμοκρασία θα αλλάξει από Κελσίου σε Φαρενάιτ και αντίστροφα.

6.5.3 Λειτουργία αντιστάθμισης χαμηλής θερμοκρασίας

Ο ψύκτης κρασιών διαθέτει μια λειτουργία αντιστάθμισης χαμηλής θερμοκρασίας για να διασφαλίζει τη σταθερότητα της θερμοκρασίας. Όταν η θερμοκρασία περιβάλλοντος είναι χαμηλότερη από τη ρυθμισμένη θερμοκρασία, ο ψύκτης κρασιών ξεκινά αυτόματα τη λειτουργία αντιστάθμισης χαμηλής θερμοκρασίας, θερμαίνοντας το σύστημα. Όταν η θερμοκρασία στο σύστημα φθάσει τη ρυθμισμένη θερμοκρασία, η λειτουργία αντιστάθμισης χαμηλής θερμοκρασίας απενεργοποιείται αυτόματα.



Ειδοποίηση: Επιδράσεις στις θερμοκρασίες

Οι θερμοκρασίες στο εσωτερικό της συσκευής επηρεάζονται από τους εξής παράγοντες:

- ▶ Θερμοκρασία περιβάλλοντος
- ▶ Ποσότητα αποθηκευμένων φιαλών
- ▶ Συχνότητα ανοίγματος πόρτας
- ▶ Εγκατάσταση της συσκευής

6.5.4 Συνιστώμενες ρυθμίσεις θερμοκρασίας για κρασί

Για τους διάφορους τύπους κρασιού συνιστώνται οι παρακάτω θερμοκρασίες κατανάλωσης.

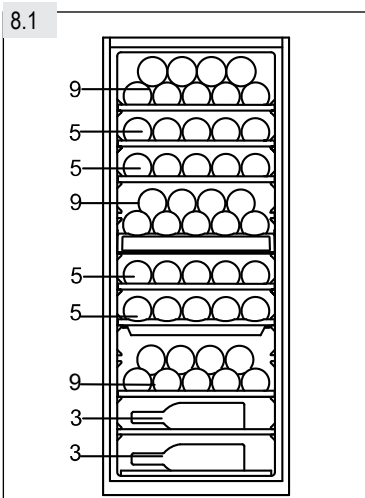
Κόκκινο κρασί	+14 °C έως +20 °C	Αφρώδες κρασί, Prosecco	+7 °C έως +9 °C
Ροζέ κρασί	+10 °C έως +12 °C	Σαμπάνια	+5 °C έως +7 °C
Λευκό κρασί	+8 °C έως +12 °C		

Αν αποθηκεύετε κρασί για μεγάλες χρονικές περιόδους, θα πρέπει να αποθηκεύεται σε θερμοκρασία μεταξύ +10 °C και +12 °C.



Πρακτικές συμβουλές εξοικονόμησης ενέργειας


- ▶ Βεβαιωθείτε ότι η συσκευή αερίζεται σωστά (βλ. ΕΓΚΑΤΑΣΤΑΣΗ).
- ▶ Μην εγκαταστήσετε τη συσκευή σε θέση όπου δέχεται άμεσο ηλιακό φως ή κοντά σε πηγές θερμότητας (π.χ. ηλεκτρική κουζίνα, συσκευές θέρμανσης).
- ▶ Αποφύγετε την άσκοπα υπερβολικά χαμηλή θερμοκρασία στη συσκευή. Η κατανάλωση ενέργειας αυξάνεται όσο χαμηλότερα ρυθμίζεται η θερμοκρασία στη συσκευή.
- ▶ Να ανοίγετε την πόρτα της συσκευής όσο το δυνατό λιγότερο.
- ▶ Μην υπερβαίνετε την ποσότητα φιαλών σχεδιασμού, για να μην εμποδίζεται η ροή του αέρα.
- ▶ Διατηρείτε τις στεγανοποιήσεις στις πόρτες καθαρές ώστε να κλείνει πάντα σωστά η πόρτα.

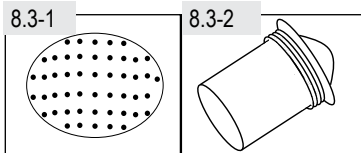


8.1 Ράφια

1. Τα ράφια έχουν σχεδιαστεί για τη διευκόλυνση της αποθήκευσης και της αφαίρεσης των κρασιών. Μπορούν να καθαρίζονται με μια μαλακή πετσέτα.
2. Μπορούν να τοποθετηθούν κανονικές φιάλες με διάμετρο 78 mm (Εικ. 8.1).
3. Φιάλες ενάμισι λίτρου (magnum) μπορούν να τοποθετηθούν στο κάτω ράφι.
4. Η ποσότητα μπορεί να διαφέρει από τον απεικονιζόμενο αριθμό φιαλών αν αυτές τοποθετηθούν με διαφορετικό τρόπο.

8.2 Το φως

Ο εσωτερικός φωτισμός τύπου LED ενεργοποιείται όταν ανοίγετε την πόρτα. Για να ενεργοποιήσετε το φωτισμό με κλεισμένη την πόρτα, αγγίξτε το κουμπί . Για να απενεργοποιήσετε το φωτισμό, αγγίξτε πάλι το κουμπί. Για να αυξήσετε την ενεργειακή απόδοση, πρέπει να σβήνετε τα φώτα όταν δεν θέλετε να δείτε κάτι στο εσωτερικό του ψύκτη κρασιών.



8.3 Σύστημα απομάκρυνσης οσμών

Οι οπές απομάκρυνσης οσμών (Εικ. 8.3-1) στο πίσω μέρος της μονάδας βοηθούν στην απομάκρυνση ανεπιθύμητων οσμών με χρήση ενός φίλτρου άνθρακα (Εικ. 8.3-2).

8.4 Η κλειδαριά

Για να κλειδώσετε τον ψύκτη κρασιών, κλείστε την πόρτα και τοποθετήστε το κλειδί στην κλειδαριά:

- ▶ Κλειδώστε την πόρτα γυρίζοντας το κλειδί αριστερόστροφα.
- ▶ Ξεκλειδώστε την πόρτα γυρίζοντας το κλειδί δεξιόστροφα.



ΠΡΟΕΙΔΟΠΟΙΗΣΗ!

Πρέπει να κρατάτε τα κλειδιά μακριά από παιδιά και όχι κοντά στη συσκευή, για να αποφύγετε το ενδεχόμενο να κλειδωθούν παιδιά μέσα στη συσκευή.

8.5 Κιβώτιο φύλαξης νερού

Πρέπει πάντα να υπάρχει νερό μέσα στο κιβώτιο, για τη διατήρηση της υγρασίας μέσα στον ψύκτη κρασιών. Το νερό πρέπει πάντα να καλύπτει τον πυθμένα του κιβωτίου όταν χρησιμοποιείται ο ψύκτης κρασιών.

Ανατρέξτε στην ενότητα ΕΓΚΑΤΑΣΤΑΣΗ.



ΠΡΟΕΙΔΟΠΟΙΗΣΗ!

Πριν από τον καθαρισμό, αποσυνδέστε τη συσκευή από το ηλεκτρικό ρεύμα.

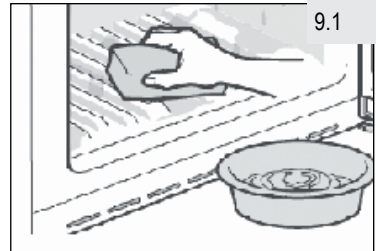
9.1 Γενικά

Καθαρίζετε τη συσκευή μόνο όταν έχει αποθηκευμένο μόνο λίγο ή καθόλου κρασί. Χρειάζεται να την καθαρίζετε μόνον αν έχει λερωθεί.



ΠΡΟΕΙΔΟΠΟΙΗΣΗ!

- ▶ Μην καθαρίζετε τη συσκευή με σκληρές βούρτσες, συρματόβουρτσες, απορρυπαντικό σε σκόνη, βενζίνη, οξικό αμυλεστέρα, ασετόν και παρεμφερή οργανικά διαλύματα, διαλύματα οξέων ή βάσεων. Να καθαρίζετε με ειδικά καθαριστικά για ψυγεία, για να μην προκληθεί ζημιά.
- ▶ Μην ψεκάζετε ή ξεπλένετε τη συσκευή κατά τον καθαρισμό.
- ▶ Μην ψεκάζετε με νερό ή ατμό για να καθαρίσετε τη συσκευή.
- ▶ Μην καθαρίζετε τις κρύες γυάλινες πόρτες με ζεστό νερό. Η απότομη αλλαγή θερμοκρασίας μπορεί να προκαλέσει θραύση του γυαλιού.
- ▶ Να καθαρίζετε το εσωτερικό και το περίβλημα της συσκευής με ένα σφουγγάρι που έχετε υγράνει ελαφρά με διάλυμα ουδέτερου απορρυπαντικού σε χλιαρό νερό (Εικ. 9.1).
- ▶ Μπορεί να χρησιμοποιηθεί ένα καθαριστικό διάλυμα 3 έως 4 κουταλιών της σούπας μαγειρικής σόδας σε χλιαρό νερό.
- ▶ Ξεπλύνετε με καθαρό χλιαρό νερό και στεγνώστε με ένα απαλό πανί.
- ▶ Μην πλένετε τα εξαρτήματα της συσκευής στο πλυντήριο πιάτων.
- ▶ Περιμένετε τουλάχιστον 5 λεπτά πριν επανεκκινήσετε τη συσκευή, καθώς η συχνή εκκίνηση μπορεί να προκαλέσει ζημιά στον συμπιεστή.
- ▶ Οι στεγανοποιήσεις πόρτας πρέπει να καθαρίζονται κάθε τρεις μήνες για να εξασφαλίζεται η σωστή λειτουργία τους.



9.2 Καθαρισμός των ραφιών

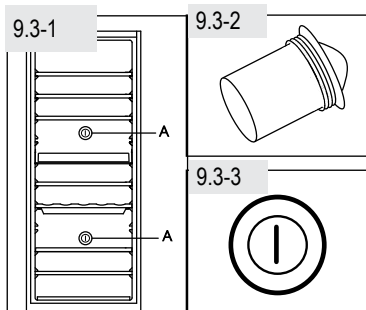
Όλα τα ράφια μπορούν να αφαιρεθούν για να καθαριστούν.

1. Αφαιρέστε όλα τα μπουκάλια.
2. Ανυψώστε λίγο κάθε ράφι.
3. Αφαιρέστε το ράφι.
4. Καθαρίστε το ράφι με μια μαλακή πετσέτα
5. Περιμένετε να στεγνώσουν τα ράφια πριν τα τοποθετήσετε πάλι στη θέση τους.



ΠΡΟΕΙΔΟΠΟΙΗΣΗ!

Περιμένετε τουλάχιστον 5 λεπτά για να επανασυνδέσετε την τροφοδοσία ρεύματος από τη στιγμή που αποσυνδέθηκε το ρεύμα.



9.3 Καθαρισμός του συστήματος απομάκρυνσης οσμών

Πρέπει να αλλάζετε το φίλτρο άνθρακα κάθε 3 έως 5 χρόνια.

1. Αφαιρέστε το φίλτρο άνθρακα (A) από τη λαβή του (Εικ. 9.3-1).
2. Περιστρέψτε το προς τα αριστερά και αφαιρέστε το.
3. Εισάγετε το νέο φίλτρο (Εικ. 9.3-2) με τη λαβή σε κάθετη θέση (Εικ. 9.3-3).
4. Περιστρέψτε το προς τα δεξιά έως ότου ασφαλίσει στη θέση του.

9.4 Απόψυξη

Η απόψυξη των θαλάμων συντήρησης και κατάψυξης πραγματοποιείται αυτόματα χωρίς να απαιτείται καμία χειροκίνητη ενέργεια.

9.5 Αντικατάσταση της λάμπας LED

Η λάμπα είναι τύπου LED για χαμηλότερη κατανάλωση ενέργειας και μεγαλύτερη διάρκεια ζωής. Για οποιοδήποτε πρόβλημα, επικοινωνήστε με την εξυπηρέτηση πελατών. Βλ. ΕΞΥΠΗΡΕΤΗΣΗ ΠΕΛΑΤΩΝ.



ΠΡΟΕΙΔΟΠΟΙΗΣΗ!

Μην αντικαταστήσετε μόνη σας τη λάμπα LED. Πρέπει να αντικατασταθεί είτε από τον κατασκευαστή είτε από τον εξουσιοδοτημένο αντιπρόσωπο σέρβις.

Στοιχεία της λάμπας LED:

Τάση 12 V, μέγ. ισχύς: 0,72 W

9.6 Μη χρήση για μεγάλο χρονικό διάστημα

- ▶ Αποσυνδέστε το καλώδιο ρεύματος.
- ▶ Καθαρίστε τη συσκευή και τις στεγανοποιήσεις πόρτας όπως περιγράφεται παραπάνω.
- ▶ Αφήστε την πόρτα ανοικτή για να αποφύγετε τη δημιουργία δυσάρεστων οσμών στο εσωτερικό της συσκευής.

9.7 Μεταφορά της συσκευής

1. Αφαιρέστε όλα τα μπουκάλια και αποσυνδέστε τη συσκευή από την πρίζα.
2. Στερεώστε με αυτοκόλλητη ταινία τα ράφια και άλλα κινητά μέρη μέσα στον ψύκτη κρασιών.
3. Αφαιρέστε το κιβώτιο αποθήκευσης νερού για να μη χυθεί νερό.
4. Μη γείρετε τον ψύκτη κρασιών περισσότερο από 45°, για να μην προκληθεί βλάβη στο ψυκτικό σύστημα.



ΠΡΟΕΙΔΟΠΟΙΗΣΗ!

- ▶ Μη σηκώνετε τη συσκευή από τις λαβές των θυρών.
- ▶ Ποτέ μην τοποθετείτε τη συσκευή οριζόντια στο έδαφος.
- ▶ Μετά τη μετακίνηση της συσκευής, περιμένετε 24 ώρες πριν τη συνδέσετε στο ρεύμα.

Μπορείτε να επιλύσετε μόνοι σας πολλά προβλήματα που ενδέχεται να προκύψουν, χωρίς να χρειάζεται ειδική εμπειρία. Σε περίπτωση προβλήματος, ελέγξτε όλες τις παρουσιαζόμενες πιθανότητες και ακολουθήστε τις παρακάτω οδηγίες πριν επικοινωνήσετε με την εξυπηρέτηση πελατών. Βλ. ΕΞΥΠΗΡΕΤΗΣΗ ΠΕΛΑΤΩΝ.



ΠΡΟΕΙΔΟΠΟΙΗΣΗ!

- ▶ Πριν από τη συντήρηση, απενεργοποιήστε τη συσκευή και αποσυνδέστε το καλώδιο ρεύματος από την πρίζα.
- ▶ Ο ηλεκτρικός εξοπλισμός πρέπει να επισκευάζεται μόνο από καταρτισμένους ηλεκτρολόγους, καθώς τυχόν εσφαλμένες επισκευές μπορεί να προκαλέσουν σημαντικές βλάβες.
- ▶ Αν το καλώδιο τροφοδοσίας έχει υποστεί ζημιά, αυτό αντικαθίσταται μόνο από τον κατασκευαστή, τον αντιπρόσωπό του για σέρβις ή από άτομο με παρόμοια εξειδίκευση, για την πρόληψη κινδύνου.

10.1 Αντιμετώπιση προβλημάτων βάσει κωδικού οθόνης ενδείξεων



Σημείωση: Επίλυση προβλημάτων

- ▶ Αν παρουσιαστεί ένας κωδικός σφάλματος, πιάστε το κουμπί ενεργοποίησης για να σταματήσει να εμφανίζεται. Αν συνεχίσει να εμφανίζεται, αφαιρέστε το φιλτράρισμα ρευματοληψίας από την πρίζα και καλέστε την Εξυπηρέτηση πελατών.
- ▶ Σε περίπτωση που χρειαστεί να επικοινωνήσετε με την Εξυπηρέτηση πελατών: Σημειώστε το μήνυμα επίλυσης προβλημάτων και ανατρέξτε στην ενότητα "ΕΞΥΠΗΡΕΤΗΣΗ ΠΕΛΑΤΩΝ".

Κωδικός σφάλματος	Αιτία	Λύση
E1	Βραχυκύκλωμα ή ανοικτό κύκλωμα του αισθητήρα χαμηλής θερμοκρασίας.	
F4	Βραχυκύκλωμα ή ανοικτό κύκλωμα του αισθητήρα στο πάνω διαμέρισμα.	Επικοινωνήστε με την Εξυπηρέτηση πελατών για να αντικαταστήσει τον αισθητήρα.
F5	Βραχυκύκλωμα ή ανοικτό κύκλωμα του αισθητήρα στο κάτω διαμέρισμα.	
H1	Η συσκευή παράγει ειδοποίηση υψηλής θερμοκρασίας αν η θερμοκρασία του πάνω διαμερίσματος ήταν υψηλότερη από 25 °C για 3 ώρες.	Η θερμοκρασία περιβάλλοντος είναι πολύ υψηλή. Η θερμοκρασία περιβάλλοντος για τη λειτουργία της συσκευής πρέπει να είναι μεταξύ 16 °C και 38 °C.
H2	Η συσκευή παράγει ειδοποίηση υψηλής θερμοκρασίας αν η θερμοκρασία του κάτω διαμερίσματος ήταν υψηλότερη από 25 °C για 3 ώρες.	
L1	Ο συμπιεστής σταματά να λειτουργεί αν η θερμοκρασία του πάνω διαμερίσματος είναι μικρότερη από 0 °C. Η προειδοποίηση χαμηλής θερμοκρασίας παράγεται αν η θερμοκρασία ήταν μικρότερη από 0 °C για 2 ώρες.	Η θερμοκρασία περιβάλλοντος είναι πολύ χαμηλή. Η θερμοκρασία περιβάλλοντος για τη λειτουργία της συσκευής πρέπει να είναι μεταξύ 16 °C και 38 °C.
L2	Ο συμπιεστής σταματά να λειτουργεί αν η θερμοκρασία του κάτω διαμερίσματος είναι μικρότερη από 0 °C. Η προειδοποίηση χαμηλής θερμοκρασίας παράγεται αν η θερμοκρασία ήταν μικρότερη από 0 °C για 2 ώρες.	

10.2 Αντιμετώπιση προβλημάτων χωρίς κωδικό οθόνης ενδείξεων

Πρόβλημα	Πιθανή αιτία	Πιθανή λύση
Ο συμπιεστής δεν λειτουργεί.	<ul style="list-style-type: none"> • Το καλώδιο ρεύματος δεν είναι συνδεδεμένο στην πρίζα. 	<ul style="list-style-type: none"> • Συνδέστε το καλώδιο ρεύματος.
Η συσκευή λειτουργεί συχνά ή λειτουργεί για μεγάλο χρονικό διάστημα.	<ul style="list-style-type: none"> • Η εσωτερική ή η εξωτερική θερμοκρασία είναι πολύ υψηλή. • Η συσκευή ήταν εκτός λειτουργίας για μεγάλο χρονικό διάστημα. • Κάποια πόρτα της συσκευής δεν έχει κλείσει καλά. • Η πόρτα άνοιξε πολύ συχνά ή για μεγάλο χρονικό διάστημα. • Οι στεγανοποιήσεις της πόρτας είναι λερωμένες, φθαρμένες, ραγισμένες ή δεν εφαρμόζουν σωστά. • Δεν εξασφαλίζεται η απαιτούμενη κυκλοφορία αέρα. • Η ρύθμιση θερμοκρασίας είναι πολύ χαμηλή. 	<ul style="list-style-type: none"> • Σε αυτήν την περίπτωση, είναι φυσιολογικό η συσκευή να λειτουργεί περισσότερο. • Φυσιολογικά, απαιτείται ένα χρονικό διάστημα μέχρι να κρυώσει εντελώς η συσκευή. • Κλείστε την πόρτα και βεβαιωθείτε ότι η συσκευή βρίσκεται σε επίπεδο δάπεδο και ότι δεν υπάρχουν τρόφιμα ή δοχεία που εμποδίζουν την πόρτα. • Μην ανοίγετε την πόρτα πολύ συχνά. • Καθαρίστε τη στεγανοποίηση της πόρτας ή ζητήστε την αντικατάστασή της από την εξυπηρέτηση πελατών. • Εξασφαλίστε επαρκή αερισμό. • Το πρόβλημα θα λυθεί μόνο του όταν έχει επιτευχθεί η επιθυμητή θερμοκρασία.
Το εσωτερικό του ψύκτη κρασιών είναι λερωμένο και/ή μυρίζει.	<ul style="list-style-type: none"> • Το εσωτερικό του ψύκτη κρασιών χρειάζεται να καθαριστεί. 	<ul style="list-style-type: none"> • Καθαρίστε το εσωτερικό του ψύκτη κρασιών.
Δεν είναι αρκετά χαμηλή η θερμοκρασία μέσα στη συσκευή.	<ul style="list-style-type: none"> • Η θερμοκρασία είναι πολύ υψηλή. • Προστέθηκαν μπουκάλια πρόσφατα. • Κάποια πόρτα της συσκευής δεν έχει κλείσει καλά. • Η πόρτα άνοιξε πολύ συχνά ή για μεγάλο χρονικό διάστημα. • Οι στεγανοποιήσεις της πόρτας είναι λερωμένη, φθαρμένη, ραγισμένη ή δεν εφαρμόζει σωστά. 	<ul style="list-style-type: none"> • Ρυθμίστε ξανά τη θερμοκρασία. • Περιμένετε έως ότου τα μπουκάλια που προστέθηκαν πρόσφατα φθάσουν στην επιθυμητή θερμοκρασία. • Κλείστε την πόρτα. • Μην ανοίγετε την πόρτα πολύ συχνά. • Καθαρίστε τη στεγανοποίηση της πόρτας ή ζητήστε την αντικατάστασή της από την εξυπηρέτηση πελατών.
Είναι πολύ χαμηλή η θερμοκρασία μέσα στη συσκευή.	<ul style="list-style-type: none"> • Η ρύθμιση θερμοκρασίας είναι πολύ χαμηλή. 	<ul style="list-style-type: none"> • Ρυθμίστε ξανά τη θερμοκρασία.
Σχηματισμός υγρασίας στο εσωτερικό του θαλάμου του ψύκτη κρασιών.	<ul style="list-style-type: none"> • Το κλίμα είναι πολύ ζεστό και πολύ υγρό. • Κάποια πόρτα της συσκευής δεν έχει κλείσει καλά. • Η πόρτα άνοιξε πολύ συχνά ή για μεγάλο χρονικό διάστημα. 	<ul style="list-style-type: none"> • Αυξήστε τη θερμοκρασία. • Κλείστε την πόρτα. • Μην ανοίγετε την πόρτα πολύ συχνά.

Πρόβλημα	Πιθανή αιτία	Πιθανή λύση
Συσσωρεύεται υγρασία στην εξωτερική επιφάνεια του ψύκτη κρυστών.	<ul style="list-style-type: none"> • Το κλίμα είναι πολύ ζεστό και πολύ υγρό. • Η πόρτα δεν έχει κλείσει καλά. Ο κρύος αέρας στη συσκευή και ο ζεστός αέρας έξω από αυτή συμπυκνώνονται. 	<ul style="list-style-type: none"> • Αυτό είναι φυσιολογικό σε υγρά κλίματα και αλλάζει όταν μειώνεται η υγρασία. • Βεβαιωθείτε ότι η πόρτα έχει κλείσει στεγανά και ότι οι στεγανοποιήσεις σφραγίζουν σωστά.
Η συσκευή παράγει μη φυσιολογικούς θορύβους.	<ul style="list-style-type: none"> • Η συσκευή δεν βρίσκεται σε επίπεδο δάπεδο. • Η συσκευή έρχεται σε επαφή με ορισμένα αντικείμενα γύρω της. 	<ul style="list-style-type: none"> • Ρυθμίστε τα πόδια της συσκευής για να την οριζοντιώσετε. • Αφαιρέστε τα αντικείμενα γύρω από τη συσκευή.
Ακούγεται ελαφρύς ήχος παρόμοιος με τον ήχο του νερού που κυλάει.	<ul style="list-style-type: none"> • Αυτό είναι φυσιολογικό. 	<ul style="list-style-type: none"> • -
Ο εσωτερικός φωτισμός ή το ψυκτικό σύστημα δεν λειτουργεί.	<ul style="list-style-type: none"> • Το καλώδιο ρεύματος δεν είναι συνδεδεμένο στην πρίζα. • Το καλώδιο ρεύματος έχει υποστεί φθορά. • Δεν λειτουργεί η λάμπα LED. 	<ul style="list-style-type: none"> • Συνδέστε το καλώδιο ρεύματος. • Ελέγξτε την ηλεκτρική παροχή στο δωματίο. Επικοινωνήστε με την εταιρεία ηλεκτρισμού! • Επικοινωνήστε με το σέρβις για να σας αλλάξει τη λυχνία.
Τα πλαϊνά του ψύκτη και η λωρίδα της πόρτας θερμαίνονται.	<ul style="list-style-type: none"> • Αυτό είναι φυσιολογικό. 	<ul style="list-style-type: none"> • -
Η πόρτα δεν κλείνει κανονικά.	<ul style="list-style-type: none"> • Η συσκευή δεν είναι οριζόντια. • Η πόρτα εμποδίζεται. 	<ul style="list-style-type: none"> • Οριζοντιώστε τη συσκευή χρησιμοποιώντας τα πόδια οριζοντίωσης. • Ελέγξτε για εμπόδια όπως μπουκάλια ή ράφια.

11.1 Δελτίο προϊόντος σύμφωνα με τον κανονισμό ΕΕ αριθ. 1060/2010

Εμπορικό σήμα	Haier
Κωδικός μοντέλου	WS53GDA
Κατηγορία μοντέλου	Ψύκτης κρασιών
Κατηγορία οικιακής ψύξης	2
Κλάση ενεργειακής απόδοσης	A
Ετήσια κατανάλωση ενέργειας (kWh/έτος) ¹⁾	135
Όγκος αποθήκευσης συντήρησης (L)	-
- του χώρου αποθήκευσης κρασιών	172
Όγκος αποθήκευσης κατάψυξης (L)	-
Διαβάθμιση αστέρων	-
Κατώτατη θερμοκρασία αποθήκευσης του θαλάμου κρασιών	5 °C
Σύστημα Frostfree (χωρίς πάγο)	-
Κατηγορία κλίματος: Αυτή η συσκευή προορίζεται για χρήση σε θερμοκρασία περιβάλλοντος μεταξύ 16 °C και 38 °C.	ST
Εκπομπές αερόφερτου ακουστικού θορύβου (db(A) αναφ. με 1pW)	40
Τύπος κατασκευής	Ελεύθερης τοποθέτησης
Η συσκευή αυτή προορίζεται να χρησιμοποιείται αποκλειστικά για την αποθήκευση κρασιού.	Ναι

¹⁾ με βάση αποτελέσματα τυποποιημένων δοκιμών για 24 ώρες. Η πραγματική κατανάλωση ενέργειας εξαρτάται από τον τρόπο χρήσης και τη θέση της συσκευής.

11.2 Πρόσθετα τεχνικά χαρακτηριστικά

Ωφέλιμος όγκος (L)	172
Τάση/Συχνότητα	220-240 V~/50 Hz
Κατανάλωση ισχύος (W)	70
Ρεύμα εισόδου (A)	0,5
Ασφάλεια ρεύματος δικτύου (A)	0,4
Ψυκτικό μέσο	R600a
Διαστάσεις (Β/Π/Υ σε mm)	560/500/1270

11.3 Πρότυπα και Οδηγίες CE

Το προϊόν αυτό ικανοποιεί τις απαιτήσεις όλων των εφαρμοστέων Οδηγιών ΕΚ και των αντίστοιχων εναρμονισμένων προτύπων που προβλέπονται για τη σήμανση CE.

Συνιστάται το τμήμα εξυπηρέτησης πελατών της Haier και η χρήση γνήσιων ανταλλακτικών. Εάν αντιμετωπίζετε οποιοδήποτε πρόβλημα με τη συσκευή σας, ελέγξτε αρχικά την ενότητα ΑΝΤΙΜΕΤΩΠΙΣΗ ΠΡΟΒΛΗΜΑΤΩΝ.

Εάν δεν βρείτε κάποια λύση εκεί, επικοινωνήστε

- ▶ με τον αντιπρόσωπο της περιοχής σας ή
- ▶ αναζητήστε την ενότητα Σέρβις & Υποστήριξη (Service & Support) στον ιστότοπο www.haier.com, όπου μπορείτε να βρείτε αριθμούς τηλεφώνου και απαντήσεις σε συχνές ερωτήσεις (FAQ) και όπου μπορείτε να ενεργοποιήσετε το αίτημα για σέρβις.

Πριν επικοινωνήσετε με το τμήμα σέρβις, βεβαιωθείτε ότι έχετε διαθέσιμα τα ακόλουθα στοιχεία. Μπορείτε να βρείτε αυτές τις πληροφορίες στην πινακίδα τύπου.

Μοντέλο _____

Αρ. Σειράς _____

Επίσης, ελέγξτε την κάρτα εγγύησης που παρέχεται μαζί με το προϊόν σε περίπτωση κάλυψης εγγύησης.

Για γενικές επαγγελματικές ερωτήσεις, βρείτε παρακάτω τις διευθύνσεις μας στην Ευρώπη:

Ευρωπαϊκές διευθύνσεις της Haier			
Χώρα*	Ταχυδρομική διεύθυνση	Χώρα*	Ταχυδρομική διεύθυνση
Ιταλία	Haier Europe Trading SRL Via De Cristoforis, 12 21100 Verese ΙΤΑΛΙΑ	Γαλλία	Haier France SAS 3-5 rue des Gravieres 92200 Neuilly sur Seine ΓΑΛΛΙΑ
Ισπανία Πορτογαλία	Haier Iberia SL Pg. Garcia Faria, 49-51 08019 Barcelona ΙΣΠΑΝΙΑ	Βέλγιο-FR Βέλγιο-NL Ολλανδία Λουξεμβούργο	Haier Benelux SA Anderlecht Route de Lennik 451 ΒΕΛΓΙΟ
Γερμανία Αυστρία	Haier Deutschland GmbH Hewlett-Packard-Str. 4 D-61352 Bad Homburg ΓΕΡΜΑΝΙΑ	Πολωνία Τσεχία Ουγγαρία Ελλάδα Ρουμανία Ρωσία	Haier Poland Sp. zo.o. Al. Jerozolimskie 181B 02-222 Warszawa ΠΟΛΩΝΙΑ
Ηνωμένο Βασίλειο	Haier Appliances UK Co.Ltd. One Crown Square Church Street East Woking, Surrey, GU21 6HR Ην. Βασίλειο		

*Για περισσότερες πληροφορίες ανατρέξτε στον ιστότοπο www.haier.com

WS53GDA_GR_V07_110617

Haier



Manual de usuario

Bodega de vinos

WS53GDA

ES

Haier

Gracias por comprar un producto Haier.

Lea con atención todas las instrucciones antes de utilizar el aparato. Estas instrucciones contienen información importante que le permitirá dar un buen uso al aparato y garantizar su instalación, uso y mantenimiento de forma segura y adecuada.

Conserve el manual en un lugar de fácil acceso para consultarlo en cualquier momento y garantizar el uso seguro y adecuado del aparato.

Si vende, regala o deja el aparato al mudarse, asegúrese de entregar este manual al nuevo propietario para que pueda familiarizarse con el aparato y las precauciones que debe tomar para garantizar un uso seguro.



Leyenda

Advertencia – Información de seguridad importante



Información general y sugerencias



Información ambiental

Desecho



Ayude a proteger el medio ambiente y la salud de las personas. Coloque el embalaje en los contenedores adecuados para reciclarlo. Ayude a reciclar los desechos de aparatos eléctricos y electrónicos. No deseché aparatos que contengan este símbolo junto con los residuos domésticos. Lleve el producto a las instalaciones de reciclaje local o comuníquese con su oficina municipal.

Las puertas y los sellos deben quitarse antes de su eliminación, para que los niños no se encierren dentro.



ADVERTENCIA!

¡Riesgo de lesiones o asfixia!

Se deben desechar los refrigerantes y gases de manera profesional. Verifique que las tuberías del circuito de refrigeración no estén dañadas antes de desecharlas de forma adecuada. Desconecte el aparato de la fuente de energía eléctrica. Corte el cable de alimentación y deséchelo. Retire los estantes y la caja de agua, así como el cierre de la puerta y los sellos, para evitar que los niños y las mascotas se encierren dentro del aparato.

1- Información de seguridad.....	4
2- Uso previsto	7
3- Descripción del producto	8
4- Panel de mandos	9
5- Instalación.....	10
6- Uso	13
7- Sugerencias de ahorro energético.....	15
8 - Equipo	16
9- Cuidado y limpieza.....	17
10- Solución de problemas	19
11- Datos técnicos	22
12- Servicio al cliente	23

Lea estas instrucciones de seguridad antes de encender el aparato por primera vez.



ADVERTENCIA!

Antes del primer uso

- ▶ Asegúrese de que el aparato no presente daños ocasionados durante el transporte.
- ▶ Retire todo el embalaje y manténgalo fuera del alcance de los niños.
- ▶ Si su bodega de vinos ha sido inclinada por alguna razón, espere 24 horas antes de enchufarla.
- ▶ Se necesitan siempre al menos dos personas para mover el aparato ya que es pesado.

Instalación

- ▶ El aparato se debe colocar en un lugar bien ventilado. Asegúrese de que haya un espacio de al menos 10 cm alrededor del aparato. Está diseñado para instalación independiente, no para instalación incorporada.
- ▶ Nunca coloque el aparato en un lugar húmedo o lugar donde pueda ser salpicado con agua. Limpie y seque las salpicaduras de agua y las manchas con un paño suave y limpio.
- ▶ No instale su bodega de vinos en ningún lugar que no esté debidamente aislado o calentado, p. ej. garaje, etc. Su bodega de vinos no fue diseñada para funcionar a temperatura ambiente por debajo de 16 °C.
- ▶ No instale el aparato en la luz solar directa o cerca de fuentes de calor (estufas, calentadores).
- ▶ Instale y nivele el aparato en un área adecuada para su tamaño y uso.
- ▶ Mantenga las aberturas de ventilación, en el aparato o en la estructura incorporada, sin obstáculos.
- ▶ Asegúrese de que la información eléctrica de la placa de especificaciones coincida con el suministro de corriente. En caso contrario, comuníquese con un electricista.
- ▶ El aparato funciona con una fuente de alimentación de 220-240VAC/50 Hz. La fluctuación anormal de la tensión puede hacer que el aparato no arranque, o dañar el control de temperatura o el compresor, o un ruido anormal al operar. En tal caso, se deberá montar un regulador automático.
- ▶ Use una toma de tierra separada, de fácil acceso para la fuente de alimentación. El electrodoméstico debe estar conectado a tierra..
- ▶ **Solo para el Reino Unido:** El cable de alimentación del aparato está equipado con un enchufe de 3 hilos (conexión a tierra) que se adapta a un conector estándar de 3 cables (conectado a tierra). Nunca corte o desmonte la tercera clavija (de toma a tierra). Una vez instalado el aparato, el enchufe debe ser de fácil acceso.
- ▶ No use adaptadores múltiples y cables prolongadores eléctricos.
- ▶ Asegúrese de que el cable de alimentación no esté atrapado por la bodega de vinos. No pise el cable de alimentación.

**ADVERTENCIA!****Uso diario**

- ▶ Este aparato puede ser utilizado por niños de 8 años y mayores y las personas con capacidades físicas, sensoriales o mentales reducidas o falta de experiencia y conocimiento, si se les ha dado la supervisión o instrucciones relativas al uso del aparato de una manera segura y comprenden los peligros involucrados.
- ▶ Mantenga a los niños menores de 3 años alejados del aparato a menos que se encuentren bajo supervisión permanente.
- ▶ Los niños no deben jugar con el aparato.
- ▶ Si el gas refrigerante u otro gas inflamable se está filtrando en las proximidades del frigorífico, cierre la válvula de la fuga de gas, abra las puertas y ventanas y no desconecte ningún enchufe en el cable de alimentación del frigorífico o cualquier otro aparato.
- ▶ Tenga en cuenta que el aparato ha sido diseñado para funcionar en un rango de temperatura ambiente específico de 16 °C a 38 °C. Si se lo deja durante mucho tiempo en un lugar con temperaturas superiores o inferiores al rango indicado, es posible que el aparato no funcione de forma adecuada.
- ▶ No coloque artículos inestables (objetos pesados, recipientes llenos de agua) encima de la bodega para evitar lesiones personales causadas por caídas o descargas eléctricas causadas por el contacto con el agua.
- ▶ Abra y cierre las puertas solo con las manijas. El espacio entre las puertas y el gabinete es muy estrecho. No extienda sus manos en estas áreas para no lastimarse los dedos. Abra o cierre las puertas del frigorífico solo cuando no haya niños parados dentro del espacio de movimiento de la puerta.
- ▶ No guarde ni use materiales inflamables, explosivos o corrosivos en el aparato o en los alrededores.
- ▶ No almacene sustancias explosivas, como p. ej. envases de aerosol con propulsante inflamable en este aparato.
- ▶ No guarde medicamentos, bacterias o agentes químicos en el frigorífico. Este frigorífico es un electrodoméstico. No se recomienda almacenar materiales que requieran temperaturas estrictas.
- ▶ Para una correcta refrigeración del vino, no sobrecargue el aparato.
- ▶ No dañe el circuito refrigerante.
- ▶ No establezca una temperatura innecesariamente baja en la bodega.
- ▶ Desenchufe el frigorífico en caso de una interrupción de energía o antes de limpiarlo. Espere al menos 5 minutos antes de reiniciar el aparato ya que el arranque frecuente puede dañar el compresor.



ADVERTENCIA!

Uso diario

- ▶ No utilice dispositivos eléctricos dentro de los compartimentos del electrodoméstico, a menos que sean recomendados por el fabricante.

Mantenimiento / Limpieza

- ▶ Asegúrese de que los niños estén supervisados si realizan tareas de limpieza o mantenimiento.
- ▶ Desconecte el aparato de la corriente antes de realizar cualquier tarea de mantenimiento de rutina. Espere al menos 5 minutos antes de reiniciar el aparato ya que el arranque frecuente puede dañar el compresor.
- ▶ Sostenga el conector, no el cable, cuando desenchufe el aparato.
- ▶ Si el cable de alimentación está dañado, debe ser reemplazado por el fabricante, su agente de servicio o por personal cualificado, con el fin de evitar situaciones de peligro.
- ▶ No intente reparar, desmontar o modificar el dispositivo usted mismo. Comuníquese con el centro de atención al cliente si necesita reparación.
- ▶ Elimine el polvo en la parte posterior de la unidad al menos una vez al año para evitar el peligro de incendio, así como un mayor consumo de energía.
- ▶ No rocíe o enjuague el aparato durante la limpieza.
- ▶ No utilice un rociador de agua o vapor para limpiar el aparato.
- ▶ No limpie los estantes de vidrio fríos con agua caliente. Un cambio brusco de temperatura puede causar la ruptura del vidrio.

Información sobre el gas refrigerante



ADVERTENCIA!

El aparato contiene el gas refrigerante inflamable ISOBUTANO (R600a). Asegúrese de que el circuito de refrigeración no haya sufrido daños durante el transporte o la instalación. Una pérdida de refrigerante puede ocasionar lesiones en la vista o inflamarse. Si se ha producido un daño, mantenga el aparato alejado de fuentes de ignición como llamas abiertas, ventile la habitación por completo, no enchufe o desenchufe los cables de alimentación del aparato o de otros aparatos. Informe el daño al centro de atención al cliente.

Si sus ojos entran en contacto con el refrigerante, enjuáguelos de inmediato con agua corriente y comuníquese con un oftalmólogo.





2.1 Uso previsto

Este aparato está destinado a ser utilizado exclusivamente para el almacenamiento de vino. Ha sido diseñado exclusivamente para uso en hogares secos interiores. Está destinado estrictamente para uso doméstico. No es adecuado para un uso comercial o industrial.

No puede realizar cambios o modificaciones al aparato. Cualquier otro uso del aparato puede producir lesiones e invalidar la garantía.

2.2 Accesorios

Compruebe los accesorios y su documentación de acuerdo con esta lista (Fig.:2.2):

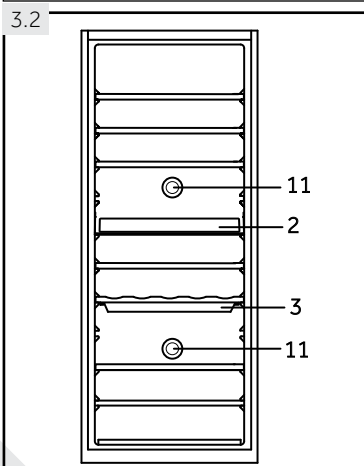
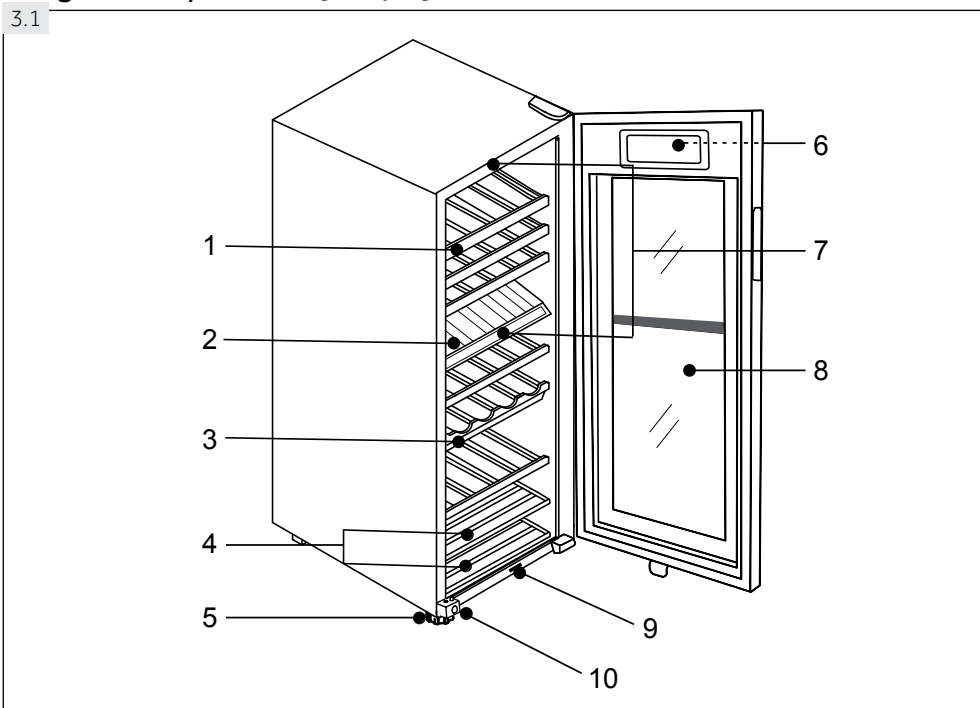
			
2 llaves	Etiqueta de energía	Tarjeta de garantía	Manual del usuario

2.2

i Aviso: Diferencias

Debido a los cambios técnicos y diferentes modelos, algunas de las ilustraciones de este manual pueden diferir de su modelo.

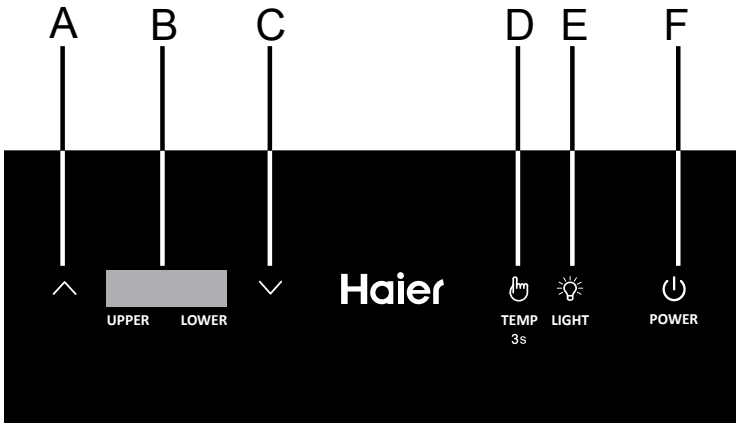
Imagen del aparato (Fig. 3.1 y Fig. 3.2)



- 1 Estantes interiores
- 2 Partición media
- 3 Caja de almacenamiento de agua
- 4 Estantes más cortos
- 5 Patas niveladoras ajustables
- 6 Pantalla (en frente de la puerta)
- 7 Lámpara LED
- 8 Puerta
- 9 Interruptor de luz y ventilador
- 10 Bloqueo
- 11 Filtros de carbón / desodorante

Panel de control (Fig. 4)

4



- A Botón de ajuste de temperatura: arriba
- B Pantalla de temperatura
- C Botón de ajuste de temperatura: abajo
- D Botón de ajuste de temperatura
- E Botón de luz interior e interruptor de °C / °F
- F Botón de encendido

5.1 Desempaque

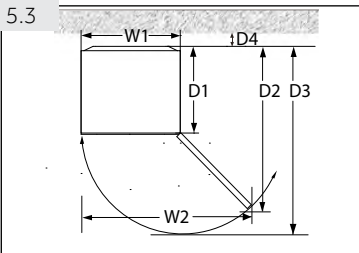


ADVERTENCIA!

- ▶ El aparato es pesado. Siempre mueva el aparato con al menos dos personas.
- ▶ Mantenga todos los materiales de embalaje fuera del alcance de los niños y deséchelos de forma ecológica.
- ▶ Saque el aparato del embalaje.
- ▶ Retire todos los materiales de embalaje, incluida la base de espuma y toda la cinta adhesiva que contiene los accesorios.

5.2 Condiciones medio ambientales

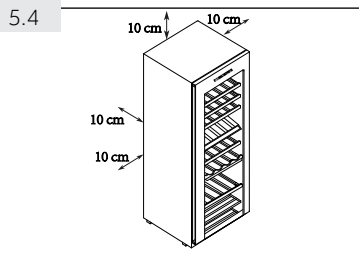
La temperatura ambiente siempre debe estar entre los 16 °C y los 38 °C, ya que puede afectar a la temperatura dentro del aparato y su consumo de energía. No instale el aparato cerca de otros aparatos emisores de calor (hornos, refrigeradores) sin aislamiento.



5.3 Requisitos de espacio

Espacio requerido para abrir la puerta (Fig. 5.3):

Ancho en mm		Profundidad en mm			Distancia a la pared en mm
W1	W2	D1	D2	D3	D4
500	830	495	890	1015	100



5.4 Espacio de ventilación

Por razones de seguridad y energía, se debe observar la distancia de ventilación requerida de 10 cm en todas las direcciones (Fig. 5.4).



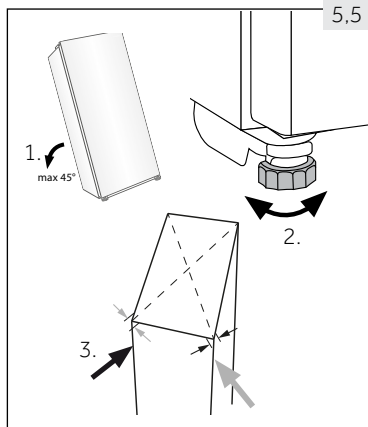
ADVERTENCIA!

- ▶ Mantenga las aberturas de ventilación, en el aparato o en la estructura incorporada, sin obstáculos.

5.5 Alineación del aparato

Coloque el aparato sobre una superficie plana y sólida.

1. Inclínelo levemente hacia atrás (Fig. 5.5).
2. Establezca los pies delanteros ajustables al nivel deseado girándolos.
3. Puede comprobar la estabilidad del aparato golpeando ligeramente las diagonales de forma alterna. El ligero balanceo debe ser el mismo en ambas direcciones. De lo contrario, se podría torcer la estructura y afectar el cierre hermético de las puertas. Una leve inclinación hacia atrás facilita el cierre de la puerta.

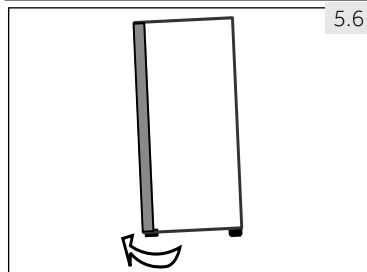


5.6 Puesta a punto de la puerta

El aparato se cierra más fácilmente si se usan los pies de nivelación en el frente:

Gire los pies ajustables de acuerdo con la dirección de la flecha (Fig. 5.6) para subir o bajarlos:

- ▶ Girando los pies en el sentido de las agujas del reloj aumenta el aparato.
- ▶ Girando los pies en sentido contrario al reloj baja el aparato.



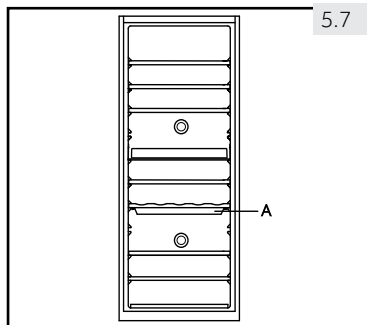
ADVERTENCIA!

- ▶ No levante el aparato con las manijas de las puertas.
- ▶ Nunca coloque el aparato sobre el suelo en posición horizontal.
- ▶ Después de inclinar el aparato más de 45°, espere 24 horas antes de enchufarlo.

5.7 Llenado de la caja de almacenamiento de agua

La caja de almacenamiento de agua (A en la Fig. 5.7) siempre debe llenarse para mantener la humedad en la bodega de vinos. Agregue el agua antes de encender la bodega de vino. El agua siempre debe cubrir el fondo de la caja cuando la bodega de vinos está en uso.

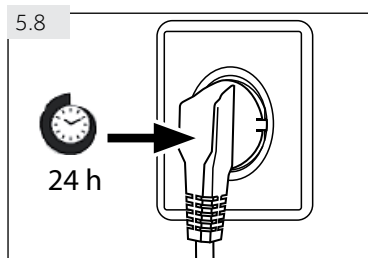
1. Saque la caja de agua.
2. Añada agua. Debe llenar aproximadamente 2/3 de la caja.
3. Vuelva a colocar la caja de agua debajo del segundo estante del compartimento inferior.



ADVERTENCIA!

- ▶ Antes de mover la bodega, retire la caja de almacenamiento de agua para evitar derrames.

5.8 Tiempo de espera



El aceite de lubricación libre de mantenimiento está ubicado en la cápsula del compresor. Este aceite puede pasar por el sistema de tubería cerrado durante el transporte si el dispositivo está inclinado. Antes de conectar el aparato a la fuente de alimentación, espere 24 horas (Fig. 5.8) para que el aceite regrese a la cápsula.

5.9 Conexión eléctrica

Antes de cada conexión, compruebe si:

- ▶ la fuente de corriente, la toma de enchufe y los fusibles son adecuados, según la placa de especificaciones.
- ▶ el toma corriente tiene conexión a tierra y no se está usando ningún adaptador múltiple o cable prolongador eléctrico.
- ▶ el enchufe y la toma de corriente se ajustan correctamente.

Conecte el enchufe a un toma corriente doméstico instalado de forma correcta.



ADVERTENCIA!

Para evitar riesgos, comuníquese con el centro de atención al cliente para solicitar el cambio de un cable eléctrico dañado (consulte la tarjeta de la garantía).

6.1 Antes del primer uso

- ▶ Retire todos los materiales de embalaje. Esto incluye la base de espuma y toda la cinta adhesiva que contiene los accesorios de la bodega interior y exterior. Manténgalos fuera del alcance de los niños y deséchelos de una manera respetuosa con el medio ambiente..
- ▶ Limpie la parte interior y exterior del aparato con agua y detergente suave antes de guardar los alimentos.
- ▶ Una vez que el aparato esté nivelado y limpio, espere al menos 2 horas antes de conectarlo a la energía eléctrica. Si su bodega ha sido inclinada por alguna razón, espere 24 horas antes de enchufarla. Consulte la sección de INSTALACIÓN.
- ▶ Una vez que haya enchufado la unidad a una toma de corriente, deje que la unidad funcione durante al menos 30 minutos para aclimatarse antes de realizar cualquier ajuste.
- ▶ La temperatura se establece automáticamente a 12 °C para ambos compartimentos. Si lo desea, puede cambiar la temperatura manualmente. Vea TEMPERATURA.

6.2 Teclas de sensor

Los botones en el panel de control son teclas táctiles, que responden cuando se tocan ligeramente con el dedo.

6.3 Encendido / apagado del aparato

Para encender el dispositivo, presione el botón de encendido (E) durante tres segundos. Para volver a apagarlo, vuelva a presionar el botón de Encendido.



ADVERTENCIA!

- ▶ Para prolongar la vida útil del aparato, evite apagarlo.
- ▶ Espere al menos 5 minutos para volver a conectar la corriente después de que se desconectó la corriente.

Cuando el aparato se enciende por primera vez, se muestra la temperatura real del compartimiento (B).



Aviso: Ajustes previos

- ▶ Una vez que haya enchufado la unidad a una toma de corriente, deje que la unidad funcione durante al menos 30 minutos para aclimatarse antes de realizar cualquier ajuste.
- ▶ Cuando el aparato se enciende después de la desconexión de la fuente de alimentación principal, puede tomar varias horas hasta que se alcancen las temperaturas correctas. El tiempo exacto varía según el entorno y la configuración de temperatura.



Aviso: Función de memoria durante la interrupción de la alimentación

Después de la restauración de la energía, el dispositivo continúa con la configuración de temperatura que se configuró antes de la falla de energía.

6.4 Modo en espera

La pantalla se atenúa automáticamente 35 segundos después de haber presionado la última tecla. Se ilumina automáticamente cuando se toca cualquier tecla o se abre la puerta.

6.5 Temperatura

La temperatura de la bodega de vino está predeterminada a 12 °C. Se puede cambiar a cualquier temperatura entre 5 °C y 20 °C para los compartimentos individualmente.



6.5.1 Ajuste de la temperatura (Fig. 6.5-1)

1. Sostenga pulsado el botón por 3 segundos. La pantalla de temperatura para el compartimiento superior comienza a parpadear.
2. Pulse el botón \wedge o \vee para aumentar o disminuir la temperatura. Cuando se haya alcanzado la temperatura deseada, presione el botón ⏏ .
3. Se ha configurado la temperatura para el compartimento superior y comienza a parpadear la temperatura del compartimento inferior.
4. Repita el paso 2 para configurar la temperatura del compartimento inferior. En lugar de pulsar el botón ⏏ al final, es posible esperar 5 segundos sin tocar la pantalla.
5. Cuando la pantalla deja de parpadear, vuelve a mostrar la temperatura actual dentro de la bodega. Tomará algo de tiempo para alcanzar la temperatura establecida.

6.5.2 Cambiar entre Celsius y Fahrenheit

Para cambiar la unidad de medida mostrada, pulse el botón 💡 durante unos 3 segundos. La temperatura mostrada cambiará de Celsius a Fahrenheit y vuelta.

6.5.3 Función de compensación de baja temperatura

La bodega de vinos tiene una función de compensación de baja temperatura para garantizar la estabilidad de la temperatura: Cuando la temperatura ambiente es inferior a la temperatura establecida, la bodega de vinos comienza automáticamente la función de compensación de baja temperatura, calentando la aplicación. Cuando la temperatura en la aplicación alcanza la temperatura establecida, la función de compensación de baja temperatura se apaga automáticamente.



Aviso: Influencias en las temperaturas

La temperatura dentro del aparato está influenciada por los siguientes factores:

- ▶ Temperatura ambiente
- ▶ Cantidad de botellas almacenadas
- ▶ Frecuencia de apertura de la puerta
- ▶ Instalación del aparato

6.5.4 Configuración de temperatura recomendada para el vino

Se recomiendan las siguientes temperaturas de bebida para los diferentes tipos de vino.

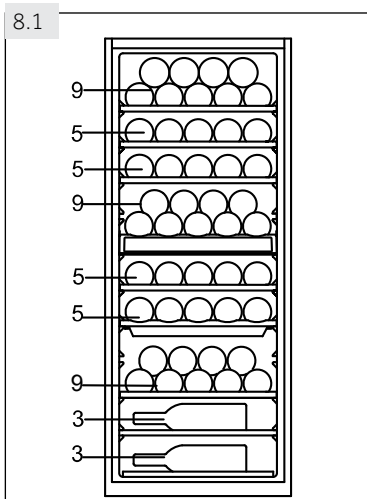
Vino tinto	+14 °C a +20 °C	Vino espumoso, Prosecco	+7 °C a +9 °C
Vino rosado	+10 °C a +12 °C	Champán	+5 °C a +7 °C
Vino blanco	+8 °C a +12 °C		

Si almacena vino por largos periodos de tiempo, debe almacenarse a una temperatura entre +10 °C y +12 °C.



Consejos para ahorrar energía

- ▶ Asegúrese de que el aparato tenga la ventilación adecuada (consulte la sección VENTILACIÓN).
- ▶ No instale el aparato en la luz solar directa o cerca de fuentes de calor (estufas, calentadores).
- ▶ No fije la temperatura del frigorífico demasiado baja sin necesidad. Cuanto menor es la temperatura del aparato, mayor es el consumo de energía.
- ▶ Abra la puerta del aparato lo menos posible.
- ▶ No exceda la cantidad diseñada de botellas para evitar obstruir el flujo de aire.
- ▶ Mantenga limpios los sellos de las puertas para asegurar un cierre adecuado.

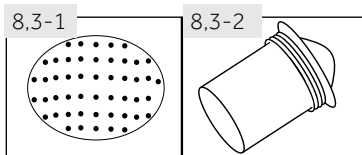


8.1 Estantería

1. Los estantes están diseñados para un fácil almacenamiento y fácil extracción del vino. Se pueden limpiar con una toalla suave.
2. Las botellas normales con un diámetro de 78 mm se pueden apilar (Fig. 8.1).
3. Las botellas Magnum se pueden apilar en el estante inferior.
4. La cantidad puede variar de la cantidad representada de botellas si se apilan de una manera diferente.

8.2 La luz

La iluminación interior por LED se enciende cuando se abre la puerta. Para encender la luz mientras la puerta está cerrada, toque el botón . Para apagar las luces, vuelva a presionar el botón. Para aumentar la eficiencia energética, las luces deben apagarse cuando la bodega no está siendo vista.



8.3 Desodorizante

Los hoyos del desodorizante (Fig. 8.3-1) en la parte posterior de la unidad, ayuda a eliminar los olores rancios y no deseados a través de un filtro de carbón (Fig. 8.3-2).

8.4 El bloqueo

Para cerrar la bodega, cierre la puerta y coloque la llave en la cerradura:

- ▶ Bloquee la puerta girando la llave en el sentido contrario a las agujas del reloj;
- ▶ Desbloquee la puerta girando la llave en el sentido de las agujas del reloj.



ADVERTENCIA!

Las llaves deben mantenerse fuera del alcance de los niños y no cerca del aparato para evitar que los niños queden encerrados dentro del aparato.

8.5 Caja de almacenamiento de agua

El agua en la caja siempre debe instalarse para mantener la humedad dentro de la bodega de vinos. El agua debe cubrir el fondo de la caja siempre que la bodega esté en uso.

Vea la **INSTALACIÓN**.

**ADVERTENCIA!**

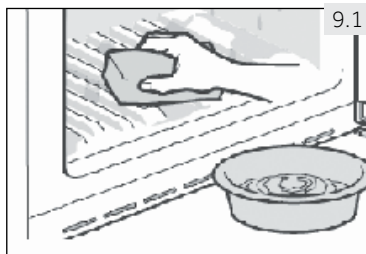
Desconecte el aparato de la fuente de alimentación antes de limpiarlo.

9.1 General

Limpie el aparato cuando solo se almacene poco o nada de vino. Solo es necesario limpiarlo cuando esté sucio.

**ADVERTENCIA!**

- ▶ No limpie el aparato con cepillos duros, cepillos de alambre, detergente en polvo, gasolina, acetato de amilo, acetona y otras soluciones orgánicas similares, soluciones ácidas o alcalinas. Utilice un detergente especial para frigorífico a fin de evitar daños.
 - ▶ No rocíe o enjuague el aparato durante la limpieza.
 - ▶ No utilice un rociador de agua o vapor para limpiar el aparato.
 - ▶ No limpie los estantes de vidrio fríos con agua caliente. Un cambio brusco de temperatura puede causar la ruptura del vidrio.
- ▶ Limpie el interior y la carcasa del aparato con una esponja humedecida con agua tibia y detergente neutro. (Fig. 9.1).
 - ▶ Se puede usar una solución de limpieza de 3 a 4 cucharadas de bicarbonato de sodio mezclada con agua tibia.
 - ▶ Enjuague con agua tibia y limpia y seque con un paño suave.
 - ▶ No limpie ninguna parte del aparato en un lavavajillas.
 - ▶ Espere al menos 5 minutos antes de reiniciar el aparato ya que el arranque frecuente puede dañar el compresor.
 - ▶ Las juntas de las puertas se deben limpiar cada tres meses para asegurar un sello adecuado.



9.1

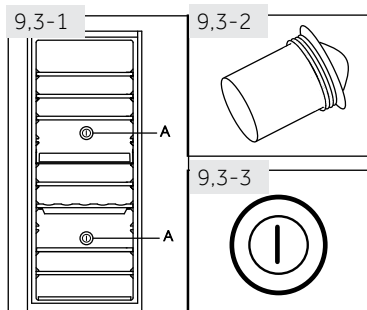
9.2 Limpieza de las estanterías

Todos los estantes se pueden sacar para limpieza.

1. Saque todas las botellas.
2. Levante un poco cada estante.
3. Saque el estante.
4. Limpie el estante con una toalla suave.
5. Espere hasta que los estantes estén secos antes de volver a colocarlos.

**ADVERTENCIA!**

Espere al menos 5 minutos para volver a conectar la corriente después de que se desconectó la corriente.



9.3 Cambie el desodorante

El filtro de carbón debe cambiarse cada 3 a 5 años.

1. Tome el filtro de carbón (A) por su mango (Fig. 9.3-1).
2. Gírelo a la izquierda y retírelo.
3. Inserte el nuevo filtro (Fig. 9.3-2) con el mango en posición vertical (Fig 9.3-3).
4. Gírelo hacia la derecha hasta que encaje en su lugar.

9.4 Descongelamiento

La descongelación de la bodega de vinos se realiza automáticamente, no se necesita ninguna operación manual.

9.5 Reemplazo de la lámpara de LED

La lámpara utiliza LED como fuente de luz, con bajo consumo de energía y larga vida útil. Si detecta alguna anomalía, comuníquese con el centro de atención al cliente. Ver sección ATENCIÓN AL CLIENTE.



ADVERTENCIA!

No reemplace la lámpara de LED usted mismo. Solo debe ser reemplazado por el fabricante o por el agente de servicio autorizado.

Parámetros de la lámpara LED:

Tensión 12 V; Potencia máxima: 0,72 W

9.6 Falta de uso durante un periodo prolongado

- ▶ Desconecte el cable de corriente.
- ▶ Limpie el aparato y las juntas de las puertas como se describe arriba.
- ▶ Mantenga la puerta abierta para evitar la creación de malos olores dentro.

9.7 Mover el aparato

1. Retire todas las botellas y desenchufe el aparato.
2. Asegure los estantes y otras partes móviles en la bodega de vinos con cinta adhesiva.
3. Retire la caja de almacenamiento de agua para evitar derrames.
4. No incline la bodega de vinos más de 45° para evitar dañar el sistema de refrigeración.



ADVERTENCIA!

- ▶ No levante el aparato con las manijas de las puertas.
- ▶ Nunca coloque el aparato sobre el suelo en posición horizontal.
- ▶ Después de mover el aparato, espere 24 horas antes de enchufarlo.

Puede resolver muchos de los problemas que tiene sin experiencia específica. En caso de problema, verifique todas las posibilidades que se muestran y siga las instrucciones a continuación antes de ponerse en contacto con un servicio postventa. Ver sección ATENCIÓN AL CLIENTE.



ADVERTENCIA!

- ▶ Antes de realizar cualquier tarea de mantenimiento, apague el aparato y desconecte el cable de corriente.
- ▶ El servicio técnico solo debe estar a cargo de electricistas calificados, ya que una reparación inadecuada puede causar daños importantes.
- ▶ Recurra solo al fabricante, su servicio técnico o similares personas capacitadas, para reemplazar un componente dañado y evitar así cualquier peligro.

10.1 Solución de problemas con el código mostrado



Nota: Búsqueda de fallos

- ▶ Si aparece un código de error, presione el botón de encendido para deshacerse de él. Si sigue apareciendo, extraiga el enchufe de alimentación y póngase en contacto con el servicio al cliente.
- ▶ En caso de que se le pida contactar al servicio al cliente: Tenga en cuenta el mensaje de solución de problemas y consulte "SERVICIO AL CLIENTE".

Código de error	Causa	Solución
E1	Circuito corto o roto del sensor de baja temperatura.	Póngase en contacto con los servicios postventa para cambiar el sensor.
F4	Circuito corto o roto del sensor en el compartimento superior.	
F5	Circuito corto o roto del sensor en el compartimento superior.	
H1	El aparato emite una advertencia de alta temperatura cuando la temperatura del compartimento superior ha sido superior a 25 °C durante 3 horas.	La temperatura ambiente es muy alta. La temperatura de trabajo del aparato debe estar entre 16 °C y 38 °C.
H2	El aparato emite una advertencia de alta temperatura cuando la temperatura del compartimento inferior ha sido superior a 25 °C durante 3 horas.	
L1	El compresor deja de funcionar cuando la temperatura del compartimento superior es inferior a 0 °C. La advertencia de baja temperatura se proporciona cuando la temperatura ha sido inferior a 0 °C durante 2 horas.	La temperatura ambiente es demasiado baja. La temperatura de trabajo del aparato debe estar entre 16 °C y 38 °C.
L2	El compresor deja de funcionar cuando la temperatura del compartimento inferior es inferior a 0 °C. La advertencia de baja temperatura se proporciona cuando la temperatura ha sido inferior a 0 °C durante 2 horas.	

10.2 Solución de problemas sin el código mostrado

Problema	Causa posible	Solución posible
El compresor no funciona.	<ul style="list-style-type: none"> El enchufe no está conectado a la fuente de alimentación. 	<ul style="list-style-type: none"> Conecte el aparato a la fuente de alimentación.
El aparato funciona con demasiada frecuencia o durante periodos demasiado prolongados.	<ul style="list-style-type: none"> La temperatura interior o exterior es demasiado elevada. El aparato ha estado desconectado de la fuente de alimentación durante un periodo de tiempo. Una puerta o cajón del aparato no está bien cerrada. Se abrió la puerta o cajón con demasiada frecuencia o durante demasiado tiempo. Las juntas de las puertas están sucias, gastadas, agrietadas o mal emparejadas. No se garantiza la circulación de aire requerida. La temperatura está ajustada demasiado baja. 	<ul style="list-style-type: none"> En este caso, el aparato suele funcionar durante periodos más prolongados. Normalmente, el aparato tarda un tiempo en enfriarse por completo. Cierre la puerta o el cajón y asegúrese de que el aparato esté ubicado en una superficie nivelada y que no haya ningún alimento o envase que haga vibrar la puerta. No abra las puertas con demasiada frecuencia. Limpie la junta de la puerta o el cajón o comuníquese con el centro de atención al cliente para pedir su cambio. Asegúrese que haya una ventilación adecuada. El problema se resolverá cuando se alcance la temperatura deseada.
El interior de la bodega está sucio y / o huele.	<ul style="list-style-type: none"> El interior de la bodega de vinos necesita limpieza. 	<ul style="list-style-type: none"> Limpie el interior de la bodega de vinos.
No hay una temperatura lo suficientemente baja dentro del aparato.	<ul style="list-style-type: none"> La temperatura está ajustada demasiado alta. Se han agregado botellas recientemente. Una puerta o cajón del aparato no está bien cerrada. Se abrió la puerta o cajón con demasiada frecuencia o durante demasiado tiempo. Las juntas de las puertas están sucias, gastadas, agrietadas o mal emparejadas. 	<ul style="list-style-type: none"> Vuelva a ajustar la temperatura. Permita tiempo para que las botellas recientemente agregadas alcancen la temperatura deseada. Cierre la puerta. No abra las puertas con demasiada frecuencia. Limpie la junta de la puerta o el cajón o comuníquese con el centro de atención al cliente para pedir su cambio.
Está demasiado frío dentro del aparato..	<ul style="list-style-type: none"> La temperatura está ajustada demasiado baja. 	<ul style="list-style-type: none"> Vuelva a ajustar la temperatura.

Problema	Causa posible	Solución posible
Formación de humedad en el interior del compartimento de la bodega.	<ul style="list-style-type: none"> • El clima es demasiado cálido y húmedo. • Una puerta o cajón del aparato no está bien cerrada. • Se abrió la puerta o cajón con demasiada frecuencia o durante demasiado tiempo. 	<ul style="list-style-type: none"> • Aumente la temperatura. • Cierre la puerta. • No abra las puertas con demasiada frecuencia.
La humedad se acumula en la superficie exterior de la bodega de vinos	<ul style="list-style-type: none"> • El clima es demasiado cálido y húmedo. • La puerta no está bien cerrada. Se condensan el aire frío dentro del aparato y el aire cálido del exterior. 	<ul style="list-style-type: none"> • Esto es normal en climas húmedos y se modificará cuando baje la humedad. • Asegúrese de que la puerta esté bien cerrada y de que las juntas se cierren correctamente.
El aparato hace un ruido anormal.	<ul style="list-style-type: none"> • El aparato no está ubicado sobre una superficie nivelada. • El aparato está tocando algún objeto que se encuentra a su alrededor. 	<ul style="list-style-type: none"> • Ajuste las patas para nivelar el aparato. • Retire los objetos ubicados alrededor del aparato.
Debe escuchar un leve sonido similar al de agua que corre.	<ul style="list-style-type: none"> • Esto es normal. 	<ul style="list-style-type: none"> • -
La luz interior o el sistema de refrigeración no funcionan.	<ul style="list-style-type: none"> • El enchufe no está conectado a la fuente de alimentación. • La fuente de alimentación no está intacta. • La lámpara LED no funciona. 	<ul style="list-style-type: none"> • Conecte el aparato a la fuente de alimentación. • Revise la fuente de alimentación de la habitación. ¡Comuníquese con la empresa proveedora de energía eléctrica local! • Comuníquese con el servicio técnico para que cambien la lámpara.
Los lados del refrigerador y la regleta de la puerta se calientan.	<ul style="list-style-type: none"> • Esto es normal. 	<ul style="list-style-type: none"> • -
La puerta no se cierra correctamente,	<ul style="list-style-type: none"> • El dispositivo no está nivelado. • La puerta está bloqueada. 	<ul style="list-style-type: none"> • Nivele el aparato con los pies niveladores. • Revise si hay bloqueos como botellas o estanterías.

11.1 Ficha de producto según la regulación de la UE Nro. 1060/2010

Marca	Haier
Identificador del modelo	WS53GDA
Categoría del modelo	Bodega de vinos
Categoría de refrigeración doméstica	2
Clasificación energética	A
Consumo anual de energía (kWh/año) ¹⁾	135
Capacidad de almacenamiento del frigorífico (litros)	-
- del compartimento de almacenamiento de vino	172
Congelación de volumen de almacenamiento (L)	-
Clasificación por estrellas	-
Temperatura de almacenamiento más baja del compartimento del vino	5 °C
Sistema libre de escarcha	-
Clase climática: Este aparato está destinado a ser utilizado a una temperatura ambiente entre 16 °C y 38 °C.	ST
Ruido acústico aéreo emitido (db(A) re 1pW)	40
Tipo de construcción	Soporte independiente
Este aparato está destinado a ser utilizado exclusivamente para el almacenamiento de vino.	Si

¹⁾ basado en los resultados de pruebas estándar de 24 horas. El consumo real de energía dependerá del uso y ubicación del aparato de refrigeración.

11.2 Datos técnicos adicionales

Volumen neto (L)	172
Voltaje / frecuencia	220-240 V~/50 Hz
Potencia de entrada (W)	70
Corriente de entrada (A)	0,5
Fusible principal (A)	0,4
Refrigerante	R600a
Dimensiones (Profundidad/Ancho/Alto en mm)	560/500/1270

11.3 Normas y directivas



Este producto cumple todos los requerimientos de las directivas de la EU aplicables con las normas armonizadas correspondientes, y ostenta la marca CE.

Recomendamos recurrir al centro de atención al cliente de Haier y utilizar repuestos originales.

Si tiene un problema con su aparato, consulte primero la sección SOLUCIÓN DE PROBLEMAS.

Si no puede encontrar una solución en esta sección, contacte con

- ▶ su distribuidor local o
- ▶ el área de Servicio y Soporte en www.haier.com, donde puede encontrar números de teléfono y Preguntas frecuentes y donde puede activar la solicitud de servicios.

Antes de contactar a nuestro servicio técnico, asegúrese de tener los siguientes datos disponibles.

Puede encontrar la información en la tabla de especificaciones.

Modelo _____ Nro. de serie _____

Asimismo, compruebe la tarjeta de la garantía suministrada con el producto si éste aún está en garantía.

Para consultas comerciales generales, busque nuestras direcciones en Europa a continuación:

Direcciones de Haier en Europa			
País*	Dirección postal	País*	Dirección postal
Italia	Haier Europe Trading SRL Via De Cristoforis, 12 21100 Verese ITALIA	Francia	Haier France SAS 3-5 rue des Graviers 92200 Neuilly sur Seine FRANCIA
España Portugal	Haier Iberia SL Pg. Garcia Faria, 49-51 08019 Barcelona ESPAÑA	Bélgica-FR Bélgica-NL Países Bajos Luxemburgo	Haier Benelux SA Anderlecht Route de Lennik 451 BÉLGICA
Alemania Austria	Haier Deutschland GmbH Hewlett-Packard-Str. 4 D-61352 Bad Homburg ALEMANIA	Polonia República Checa Hungría Grecia Rumanía Rusia	Haier Poland Sp. zo.o. Al. Jerozolimskie 181B 02-222 Warszawa POLONIA
Reino Unido	Haier Appliances UK Co.Ltd. One Crown Square Church Street East Woking, Surrey, GU21 6HR RU		

*Para obtener más información por favor consulte www.haier.com

WS53GDA_ES_V07_110617

Haier



Manuel d'utilisation

Cave à vin

WS53GDA

FR

Haier

Nous vous remercions d'avoir acheté un produit Haier.

Veillez lire attentivement ces instructions avant d'utiliser l'appareil. Ces instructions sont des informations utiles vous permettant de mieux exploiter cet appareil, et vous assurer une installation, une utilisation et un entretien sécurisés et adéquats.

Veillez bien garder ce manuel et toujours vous y référer pour une utilisation sécurisée et adéquate de l'appareil.

Si vous devez vendre, donner ou abandonner l'appareil pour cause de déménagement, assurez-vous également de laisser ce manuel afin que le prochain utilisateur puisse maîtriser l'appareil, notamment les règles de sécurité.

Légende



Avertissement- Consignes importantes de sécurité

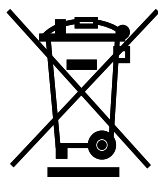


Renseignements généraux et conseils



Informations sur l'environnement

Mise au rebut



Contribuez à la protection de l'environnement et de la santé humaine. Veuillez mettre les emballages au rebut dans les contenants prévus pour leur recyclage. Contribuez à recycler les déchets d'appareils électriques et électroniques. Ne mettez pas au rebut les appareils marqués de ce symbole avec les déchets ménagers. Veuillez déposer l'appareil à votre usine de recyclage locale, ou prendre contact avec votre bureau municipal.

Retirez les portes et les joints avant la mise au rebut de l'appareil pour éviter que les enfants ne s'y enferment.



AVERTISSEMENT !

Risque de blessure ou d'asphyxie !

Les réfrigérants et les gaz doivent être mis au rebut par des professionnels. Avant toute mise au rebut, assurez-vous que la tuyauterie du système de réfrigération n'est pas endommagée. Débranchez l'appareil du secteur. Coupez le câble d'alimentation et mettez l'appareil au rebut. Retirez les clayettes, le bac d'eau, le verrou de porte et les joints pour éviter qu'un enfant ou un animal domestique ne reste coincé dans l'appareil.

1- Consignes de sécurité.....	4
2- Utilisation prévue.....	7
3- Description du produit.....	8
4- Panneau de commande.....	9
5- Installation.....	10
6- Utilisation.....	13
7- Conseils pour économiser de l'énergie.....	15
8 - Équipement.....	16
9- Entretien et nettoyage.....	17
10- Dépannage.....	19
11- Informations techniques.....	22
12- Service client.....	23

Avant de mettre l'appareil en marche pour la première fois, veuillez lire les consignes de sécurité ci-après :



AVERTISSEMENT !

Avant la première utilisation

- ▶ Vérifiez que l'appareil n'a subi aucun dommage lié au transport.
- ▶ Retirez tous les emballages et tenez-les hors de portée des enfants.
- ▶ Si votre cave à vin est inclinée pour une raison quelconque, patientez pendant 24 heures avant de la brancher.
- ▶ Il faut toujours au moins deux personnes pour la manipulation de l'appareil car il est lourd.

Installation

- ▶ Placez l'appareil dans un endroit bien ventilé. Laissez un espace d'au moins 10 cm autour de l'appareil. Il est conçu uniquement pour une installation libre et non pour une installation encastrée.
- ▶ Ne placez jamais l'appareil dans une zone ou à un endroit humide où il pourrait être éclaboussé par de l'eau. Nettoyez et séchez les éclaboussures d'eau et les tâches à l'aide d'un chiffon doux et propre.
- ▶ N'installez pas votre cave à vin dans un endroit qui n'est pas correctement isolé ou chauffé tel que le garage. Elle n'est pas destinée à fonctionner à des températures ambiantes inférieures à 16 °C.
- ▶ N'exposez pas l'appareil à la lumière directe du soleil ou à proximité des sources de chaleur (par exemple, les cuisinières, chauffe-eau).
- ▶ Installez et positionnez l'appareil dans un espace adéquat tenant compte de sa taille et son utilisation.
- ▶ Tenez les ouvertures d'aération de l'appareil ou dans les structures encastrées libres de toute obstruction.
- ▶ Vérifiez que les informations électriques sur la plaque signalétique sont conformes à l'alimentation électrique. Si ce n'est pas le cas, veuillez contacter un électricien.
- ▶ L'appareil fonctionne avec une alimentation de 220-240 VAC/50 Hz. Des fluctuations anormales de tension peuvent entraîner un échec de démarrage ou endommager le régulateur de température ou le compresseur, ou encore causer un bruit anormal pendant le fonctionnement. Dans de tels cas, installez un régulateur automatique.
- ▶ Pour l'alimentation électrique, utilisez une prise avec terre différente facilement accessible. Cet appareil doit être mis à la terre.
- ▶ **Uniquement pour le Royaume-Uni :** Cet appareil est équipé d'un cordon d'alimentation avec fiche à 3 fils (mise à la terre), répondant aux normes de la prise à 3 fils (mise à la terre). Ne coupez jamais ou ne démontez jamais le troisième fil (mise à la terre). Une fois l'appareil installé, la prise doit être accessible.
- ▶ N'utilisez pas d'adaptateurs multiprises ni de rallonges.
- ▶ Assurez-vous que le câble d'alimentation n'est pas coincé sous la cave à vin. Évitez de marcher sur le câble d'alimentation.

**AVERTISSEMENT !****Utilisation quotidienne**

- ▶ Cet appareil peut être utilisé par des enfants âgés d'au minimum 8 ans, ainsi que par des personnes avec des capacités physiques, sensorielles ou mentales réduites ou sans expérience et connaissances, si elles sont supervisées ou ont été formées à l'utilisation sécurisée de l'appareil et comprennent les risques y relatifs à son usage.
- ▶ Tenez les enfants de moins de 3 ans hors de portée de l'appareil, sauf s'ils sont en permanence surveillés.
- ▶ Ne laissez pas les enfants jouer avec l'appareil.
- ▶ En cas de fuite de gaz froid ou de tout autre gaz inflammable aux alentours de l'appareil, arrêtez la vanne d'alimentation du gaz qui s'échappe, ouvrez les portes et les fenêtres et ne débranchez pas le câble d'alimentation de la cave à vin ou de tout autre appareil.
- ▶ Assurez-vous que l'appareil est programmé pour fonctionner à une plage de température comprise entre 16 et 38 °C. L'appareil peut ne pas fonctionner correctement s'il est laissé longtemps à un niveau de température supérieur ou inférieur à la plage indiquée.
- ▶ Ne placez pas des objets instables (objets lourds, récipients remplis d'eau) au-dessus de la cave à vin pour éviter tout dommage corporel suite à une chute d'objet ou un choc électrique causé par le contact avec l'eau.
- ▶ Ouvrez et fermez les portes uniquement à l'aide des poignées. L'espace entre les portes et le réfrigérateur est très réduit. Ne mettez pas vos mains dans ces endroits pour éviter de coincer vos doigts. Ouvrez ou fermez les portes de la cave à vin uniquement lorsque les enfants ne se trouvent pas à proximité.
- ▶ Évitez de ranger ou utiliser des produits inflammables, des explosifs ou des matières corrosives à l'intérieur ou autour de l'appareil.
- ▶ Ne stockez pas des substances explosives comme les bombes aérosol avec agent propulseur inflammable dans cet appareil.
- ▶ Ne conservez pas des médicaments, des bactéries ou des agents chimiques dans la cave à vin. Le présente cave à vin est un appareil électroménager. Il n'est pas recommandé de conserver des matériaux qui requièrent des températures strictes.
- ▶ Pour un refroidissement correct du vin, ne surchargez pas l'appareil.
- ▶ Évitez d'endommager le circuit du réfrigérant.
- ▶ Ne réglez pas inutilement la cave à vin à une température basse.
- ▶ Débranchez l'appareil en cas de coupure de courant ou avant de le nettoyer. Attendez au moins 5 minutes avant de redémarrer l'appareil car plusieurs redémarrages endommagent le compresseur.



AVERTISSEMENT !

Utilisation quotidienne

- ▶ N'utilisez pas d'appareils électriques de type autre que ceux recommandés par le fabricant, à l'intérieur des compartiments de l'appareil.

Entretien et nettoyage

- ▶ Assurez-vous que les enfants sont sous surveillance lors du nettoyage et de l'entretien.
- ▶ Débranchez l'appareil de l'alimentation électrique avant d'entreprendre tout entretien. Attendez au moins 5 minutes avant de redémarrer l'appareil car plusieurs redémarrages endommagent le compresseur.
- ▶ Tenez la fiche et non le cordon pour débrancher l'appareil.
- ▶ Si le cordon d'alimentation est endommagé, faites-le remplacer par le fabricant, son agent de service ou des personnes qualifiées similaires afin d'éviter tout risque.
- ▶ N'essayez pas de réparer, de démonter ou de changer vous-même l'appareil. En cas de réparation, veuillez contacter notre service clientèle.
- ▶ Dépoussiérez l'arrière de l'appareil au moins une fois par an afin d'éviter tout risque d'incendie, et pour réduire votre consommation énergétique.
- ▶ N'utilisez pas de vaporisateur ou ne rincez pas l'appareil pendant le nettoyage.
- ▶ N'utilisez pas un pulvérisateur d'eau ou nettoyant à vapeur pour nettoyer l'appareil.
- ▶ Ne nettoyez pas les portes en verre avec de l'eau chaude. Le changement soudain de température pourrait briser le verre.

Informations sur le gaz frigorigène



AVERTISSEMENT !

Cet appareil contient du réfrigérant inflammable ISOBUTANE (R600a). Assurez-vous que le système de réfrigération n'est pas endommagé pendant le transport et l'installation. Une fuite de gaz frigorigène pourrait causer des dommages oculaires ou un incendie. En cas de dommage, veuillez vous éloigner des sources d'incendie visibles, aérez correctement la pièce, évitez de **brancher** et débrancher les cordons d'alimentation de l'appareil et de tout autre appareil. Informez le service clientèle.

En cas de contact avec les yeux, rincez abondamment les yeux avec de l'eau et consultez immédiatement un ophtalmologue.





2.1 Utilisation prévue

Cet appareil est conçu exclusivement pour la conservation du vin. Il est exclusivement destiné à un usage domestique, à l'intérieur et dans un endroit sec. Il est exclusivement destiné à un usage domestique. Il n'est pas destiné à un usage commercial ou industriel.

Aucune modification ou altération de cet appareil n'est autorisée. Toute utilisation inadéquate vous expose à des risques et la perte des droits de garantie.

2.2 Accessoires

Vérifiez les accessoires et la documentation suivant cette liste (Fig. 2.2):

			
2 clés	Étiquette énergétique	Carte de garantie	Manuel de l'utilisateur

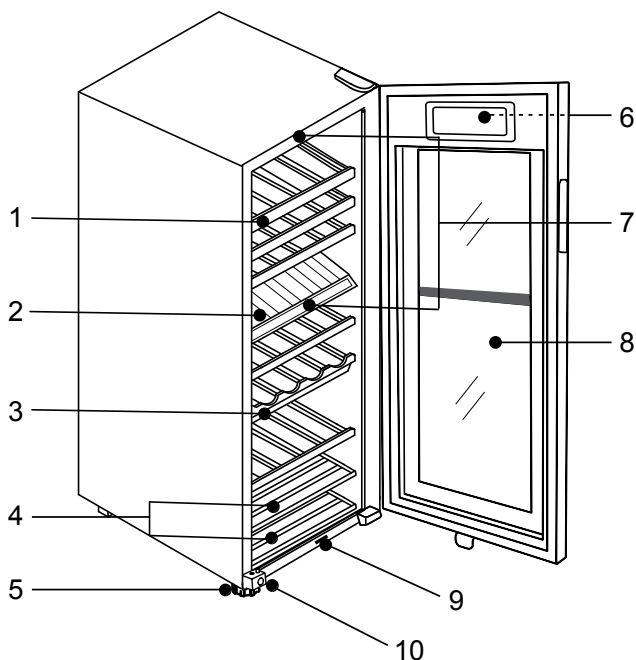
2.2

i Remarque: Différences

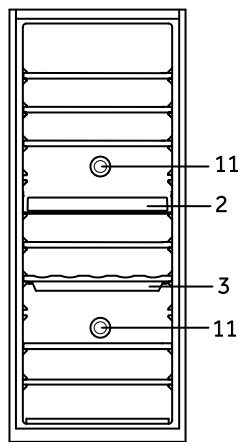
En raison des modifications techniques et des divers modèles, certaines illustrations de ce manuel peuvent être différentes de votre modèle.

Images des appareils (Fig. 3.1 et 3.2)

3.1



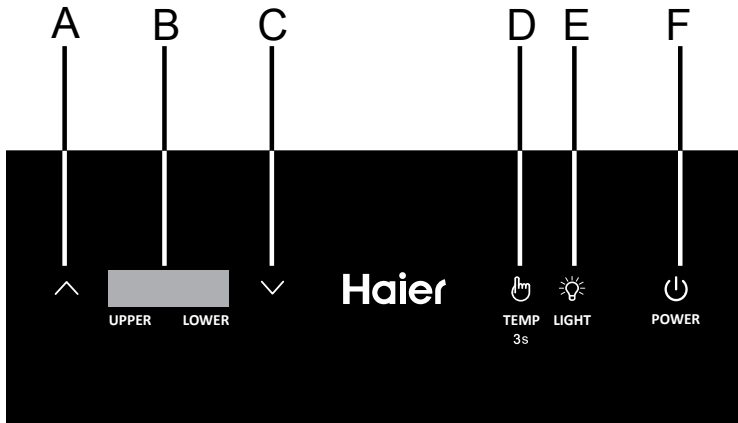
3.2



- 1 Clayettes internes
- 2 Séparation centrale
- 3 Bac de stockage d'eau
- 4 Petites clayettes
- 5 Pieds de mise à niveau réglables
- 6 Affichage (à l'avant de la porte)
- 7 Lampe d'éclairage à LED
- 8 Porte
- 9 Commutateur d'éclairage et de ventilateur
- 10 Dispositif de verrouillage
- 11 Filtres à charbon / désodorisant

Panneau de commande (Fig. 4)

4



- A Bouton de réglage de température : haut
- B Affichage de la température
- C Bouton de réglage de température : bas
- D Bouton de réglage de température
- E Bouton d'éclairage intérieur et commutateur °C/°F
- F Bouton d'alimentation

5.1 Déballage

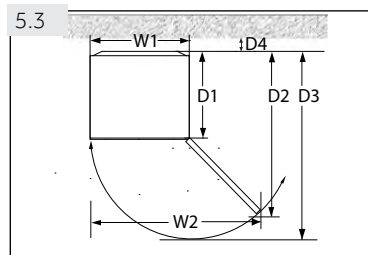


AVERTISSEMENT !

- ▶ L'appareil est lourd. Il faut toujours être au moins à deux pour le manœuvrer.
- ▶ Tenez tous les emballages hors de portée des enfants et mettez-les au rebut dans le respect de l'environnement.
- ▶ Sortez l'appareil de l'emballage.
- ▶ Retirez tout le matériel d'emballage, y compris la base en mousse et le ruban adhésif maintenant les accessoires.

5.2 Conditions environnementales

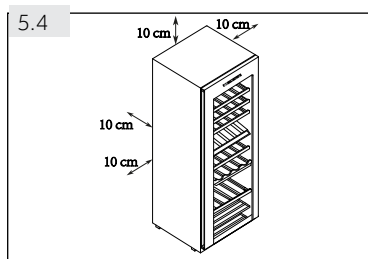
La température de la pièce doit toujours être comprise entre 16 °C et 38 °C, car elle peut influencer la température interne de l'appareil ainsi que la consommation d'énergie. N'installez pas l'appareil près d'autres appareils qui produisent de la chaleur (cuisinières, réfrigérateurs) sans isolation.



5.3 Exigences en matière d'espace

Espace requis pour l'ouverture de la porte (Fig. 5.3) :

Largeur en mm		Profondeur en mm			Distance par rapport au mur en mm
W1	W2	D1	D2	D3	D4
500	830	495	890	1015	100



5.4 Espace de ventilation

Pour des raisons de sécurité et énergétiques, veuillez respecter la distance de ventilation requise qui est de 10 cm dans tous les sens (Fig. 5.4).



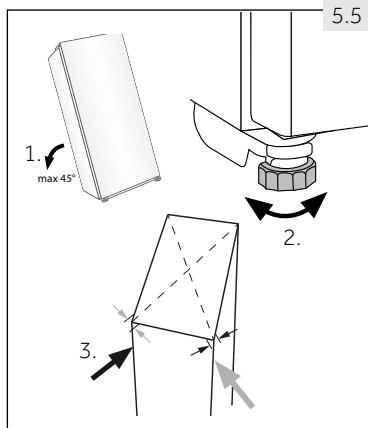
AVERTISSEMENT !

- ▶ Tenez les ouvertures d'aération de l'appareil ou dans les structures encastrées libres de toute obstruction.

5.5 Alignement de l'appareil

Placez l'appareil sur une surface plane et solide.

1. Penchez légèrement l'appareil vers l'arrière (Fig. 5.5).
2. Ajustez les pieds réglables avant au niveau souhaité en les tournant.
3. Vérifiez la stabilité en basculant entre les diagonales. Faites basculer légèrement dans les deux sens. Sinon le cadre peut se déformer causant ainsi une fuite au niveau des joints de porte. Une légère inclinaison vers l'arrière facilite la fermeture de la porte.

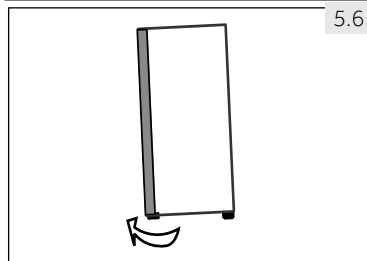


5.6 Réglage minutieux de la porte

L'appareil se ferme plus facilement lorsque les pieds de mise à niveau situés à l'avant sont réglés :

Tournez les pieds réglables dans le sens de la flèche (Fig. 5.6) pour les rallonger ou les diminuer.

- ▶ L'appareil se soulève lorsque vous tournez les pieds dans le sens horaire.
- ▶ L'appareil s'abaisse lorsque vous tournez les pieds dans le sens antihoraire.



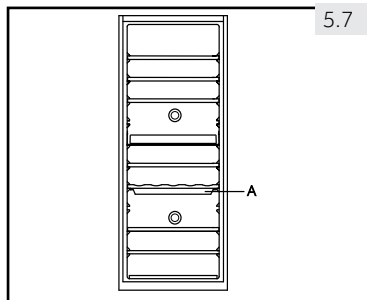
AVERTISSEMENT !

- ▶ Ne soulevez pas l'appareil à l'aide de ses poignées.
- ▶ Ne placez jamais l'appareil horizontalement au sol.
- ▶ Après toute inclinaison de l'appareil à plus de 45°, patientez pendant 24 heures avant de le brancher.

5.7 Remplissage du bac de stockage d'eau

Remplissez toujours le bac de stockage d'eau (A dans la Fig. 5.7) pour maintenir l'humidité dans la cave à vin. Veuillez ajouter de l'eau avant la mise en marche de la cave à vin. L'eau doit toujours recouvrir le fond du bac lorsque l'appareil est utilisé.

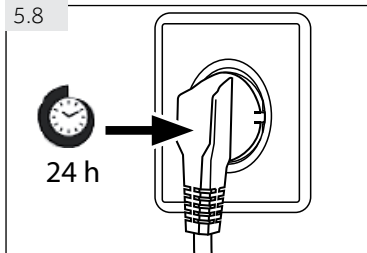
1. Retirez le bac d'eau.
2. Ajoutez-y de l'eau. Remplissez-le environ au 2/3.
3. Insérez-le à nouveau sous la deuxième clayette du compartiment inférieur.



AVERTISSEMENT !

- ▶ Avant chaque déplacement de la cave à vin, retirez le bac de stockage d'eau pour éviter tout déversement.

5.8



5.8 Temps d'attente

L'huile d'entretien du compresseur se trouve dans la capsule du compresseur. Cette huile peut se déverser dans le circuit fermé du système pendant le transport en cas d'inclinaison de l'appareil. Avant de brancher l'appareil à l'alimentation électrique, patientez pendant 24 heures (Fig. 5.8) pour permettre à l'huile de retourner dans la capsule.

5.9. Raccordement électrique

Avant chaque branchement, vérifiez si :

- ▶ l'alimentation, la prise et le fusible sont adaptés à la plaque signalétique.
- ▶ La prise est mise à la terre et il n'existe aucune prise multi-fiche ou extension.
- ▶ la prise d'alimentation et la fiche correspondent parfaitement.

Connectez la fiche à une prise correctement installée.



AVERTISSEMENT !

Pour éviter tout risque, le cordon d'alimentation endommagé doit être remplacé par le service client (voir la garantie).

6.1 Avant la première utilisation

- ▶ Retirez tous les emballages. Il s'agit entre autres de la base en mousse et du ruban adhésif qui maintiennent les accessoires de la cave à vin à l'intérieur et à l'extérieur. Tenez-les hors de portée des enfants et mettez-les au rebut dans le respect de l'environnement.
- ▶ Nettoyez l'intérieur et l'extérieur de l'appareil avec de l'eau et un détergent doux avant de garder les aliments à l'intérieur.
- ▶ Une fois l'appareil bien positionné et nettoyé, attendez au minimum 2 heures avant de le brancher à une source d'alimentation. Si votre cave à vin est inclinée pour une raison quelconque, patientez pendant 24 heures avant de le brancher. Consultez la section INS-TALLATION.
- ▶ Une fois l'appareil branché sur une prise électrique, laissez-le fonctionner pendant au moins 30 minutes pour qu'il s'adapte avant d'effectuer tout réglage.
- ▶ La température est automatiquement réglée à 12 °C dans les deux compartiments. Au besoin, vous pouvez modifier les températures manuellement. Veuillez consulter la section TEMPÉRATURE.

6.2 Touches tactiles

Les boutons du panneau de commande sont des touches tactiles qui répondent quand vous les effleurez du doigt.

6.3 Mise en marche / arrêt de l'appareil.

Pour mettre l'appareil en marche, appuyez sur le bouton d'alimentation (E) pendant trois secondes. Pour l'arrêter, appuyez à nouveau sur le bouton d'alimentation.



AVERTISSEMENT !

- ▶ Pour prolonger la durée de vie de l'appareil, évitez de l'arrêter.
- ▶ Attendez au moins 5 minutes pour rebrancher l'alimentation après tout débranchement.

Lorsque vous mettez l'appareil en marche pour la première fois, la température actuelle du compartiment s'affiche à l'écran.



Remarque: Préréglages

- ▶ Une fois l'appareil branché sur une prise électrique, laissez-le fonctionner pendant au moins 30 minutes pour qu'il s'adapte avant d'effectuer tout réglage.
- ▶ Une fois que l'appareil est mis en marche et débranché de l'alimentation électrique principale, il peut prendre plusieurs heures pour atteindre les températures correctes. Le temps exact varie selon l'environnement et la température de réglage.



Remarque: Fonction Mémoire pendant la coupure d'électricité

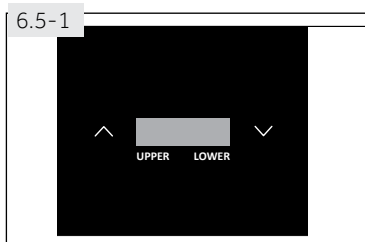
Après le retour de l'électricité, l'appareil continue de fonctionner avec le réglage de température défini au préalable avant l'interruption du courant.

6.4 Mode Veille






L'écran d'affichage s'assombrit automatiquement 35 secondes après le dernier appui sur une touche. Il s'allume automatiquement lorsque vous appuyez sur une touche ou ouvrez la porte.

6.5 Température


La température de la cave à vin est préréglée à 12 °C. Elle peut être modifiée à des températures comprises entre 5 et 20 °C dans chaque compartiment.



6.5.1 Réglage de la température (Fig. 6.5-1)

1. Maintenez le bouton  pendant environ 3 secondes. L'affichage de température du compartiment supérieur clignote.
2. Appuyez sur le bouton  ou  pour augmenter ou réduire la température. Une fois la température souhaitée atteinte, appuyez sur le bouton .
3. La température du compartiment supérieur a été réglée et la température du compartiment inférieur clignote à son tour.
4. Répétez l'étape 2 pour régler la température du compartiment inférieur. Au lieu d'appuyer sur le bouton  à la fin, vous pouvez également attendre 5 secondes sans toucher l'écran.
5. Lorsque l'affichage arrête de clignoter, il affiche la température interne actuelle de la cave à vin. L'appareil prend un certain temps pour atteindre la température définie.

6.5.2 Basculement entre Celsius et Fahrenheit

Pour modifier l'unité de mesure affichée, appuyez sur le bouton  pendant environ 3 secondes. La température affichée bascule de Celsius vers Fahrenheit et vice-versa.

6.5.3 Fonction de compensation de température basse

La cave à vin est dotée d'une fonction de compensation de température basse qui assure la stabilité de la température : Lorsque la température ambiante est inférieure à la température définie, l'appareil active automatiquement la fonction de compensation de température basse afin de chauffer l'appareil. Lorsque la température interne de l'appareil atteint la température définie, cette fonction se désactive automatiquement.



Remarque: Influence sur les températures

Les températures internes de l'appareil sont influencées par les facteurs suivants :

- ▶ La température ambiante
- ▶ La quantité de bouteilles stockées
- ▶ La fréquence d'ouverture de la porte
- ▶ L'installation de l'appareil

6.5.4 Réglages de température recommandés pour le vin

Les températures de dégustation suivantes sont recommandées pour les différents types de vin.

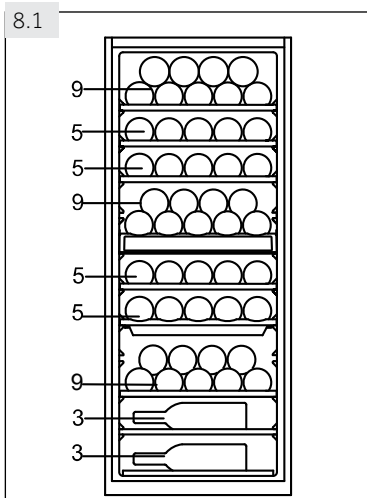
Vin rouge	de +14 °C à +20 °C	Vin mousseux, Prosecco	de +7 °C à +9 °C
Vin Rosé	de +10 °C à +12 °C	Champagne	de +5 °C à +7 °C
Vin blanc	de +8 °C à +12 °C		

Si vous conservez le vin pendant de longues périodes, la température doit être comprise entre +10 °C et +12 °C.



Conseils pour économiser de l'énergie

- ▶ Assurez-vous que l'appareil est suffisamment ventilé (Voir INSTALLATION).
- ▶ N'exposez pas l'appareil à la lumière directe du soleil ou à proximité des sources de chaleur (par exemple, les cuisinières, chauffe-eau).
- ▶ Évitez de faire fonctionner l'appareil à une température inutilement basse. La consommation énergétique augmente lorsque l'appareil fonctionne à des températures basses.
- ▶ Ouvrez la porte de l'appareil le moins possible et le plus brièvement possible.
- ▶ Ne dépassez pas la quantité de bouteilles prévues pour éviter d'obstruer le flux d'air.
- ▶ Maintenez toujours les joints de porte propres pour que la porte se ferme correctement.

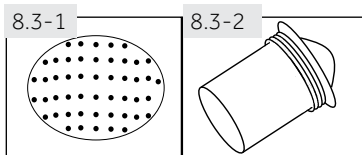


8.1 Clayettes

1. Les clayettes sont conçues pour le stockage et le retrait faciles du vin. Elles peuvent être nettoyées à l'aide d'un chiffon doux.
2. Les bouteilles de format régulier ayant un diamètre de 78 mm peuvent être empilées (Fig. 8.1).
3. Les bouteilles Magnum peuvent être empilées sur la clayette inférieure.
4. La quantité peut différer du nombre de bouteilles représentées si elles sont empilées différemment.

8.2 Lumière

La lumière intérieure LED s'allume à l'ouverture de la porte. Pour allumer la lumière lorsque la porte est fermée, appuyez sur le bouton . Pour l'éteindre, appuyez à nouveau sur ce bouton. Pour augmenter l'efficacité énergétique, la lumière doit être éteinte lorsque la cave à vin n'est pas utilisée.



8.3 Désodorisant

Les trous de désodorisant (Fig. 8.3-1) situés à l'arrière de l'appareil permettent d'éliminer les odeurs viciées et indésirables à l'aide d'un filtre à charbon (Fig. 8.3-2).

8.4 Sécurité enfants

Pour verrouiller la cave à vin, fermez la porte et mettez la clé dans le verrou :

- ▶ Verrouillez la porte en tournant la clé dans le sens antihoraire ;
- ▶ Déverrouillez-la en tournant la clé dans le sens horaire.



AVERTISSEMENT !

Tenez les clés hors de portée des enfants et pas aux alentours de l'appareil pour éviter que les enfants ne se retrouvent coincés dans l'appareil.

8.5 Bac de stockage d'eau

Le bac doit toujours contenir de l'eau pour assurer l'humidité à l'intérieur de la cave à vin. L'eau doit recouvrir le fond du bac chaque fois que l'appareil est utilisé.

Veuillez consulter la section INSTALLATION.



AVERTISSEMENT !

Débranchez l'appareil de la prise d'alimentation avant de le nettoyer.

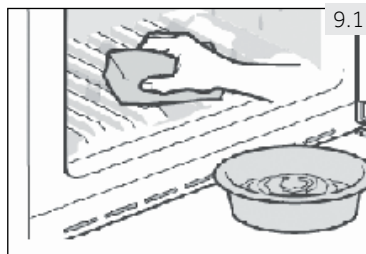
9.1 Généralités

Nettoyez l'appareil uniquement lorsqu'il ne contient que peu ou pas de vin. Ne le nettoyez que lorsqu'il est sale.



AVERTISSEMENT !

- ▶ Évitez de nettoyer l'appareil à l'aide de brosses dures, métalliques, de détergent en poudre, d'essence, d'acétate d'amyle, d'acétone et toute autre solution similaire organique, acide ou alcaline. Veuillez nettoyer avec du détergent spécial réfrigérateur pour éviter tout dommage.
 - ▶ N'utilisez pas de vaporisateur ou ne rincez pas l'appareil pendant le nettoyage.
 - ▶ N'utilisez pas un pulvérisateur d'eau ou nettoyant à vapeur pour nettoyer l'appareil.
 - ▶ Ne nettoyez pas les portes en verre avec de l'eau chaude. Le changement soudain de température pourrait briser le verre.
-
- ▶ Nettoyez l'intérieur et l'extérieur de l'appareil à l'aide d'une éponge imbibée d'eau tiède et de détergent neutre (Fig. 9.1).
 - ▶ Vous pouvez également utiliser une solution de nettoyage de 3 à 4 cuillères à soupe de bicarbonate avec de l'eau tiède.
 - ▶ Rincez avec de l'eau tiède propre et faites sécher à l'aide d'un chiffon doux.
 - ▶ Ne lavez aucune pièce de l'appareil dans le lave-vaisselle.
 - ▶ Attendez au moins 5 minutes avant de redémarrer l'appareil car plusieurs redémarrages endommageraient le compresseur.
 - ▶ Nettoyez les joints de porte tous les trois mois pour garantir une bonne étanchéité.



9.2 Nettoyage des clayettes

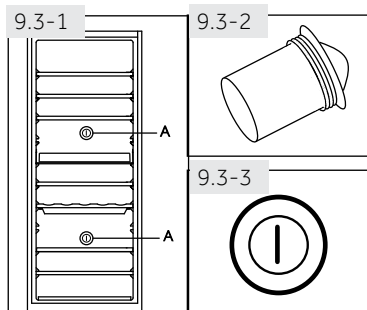
Les clayettes peuvent être retirées pour être nettoyées.

1. Retirez toutes les bouteilles.
2. Soulevez légèrement chaque clayette.
3. Retirez-les.
4. Nettoyez-les à l'aide d'une serviette douce.
5. Attendez qu'elles sèchent avant de les remettre dans l'appareil.



AVERTISSEMENT !

Attendez au moins 5 minutes pour rebrancher l'alimentation après tout débranchement.



9.3 Remplacement du désodorisant

Le filtre à charbon doit être remplacé tous les 3 à 5 ans.

1. Retirez le filtre à charbon (A) à l'aide de sa poignée (Fig. 9.3-1).
2. Tournez-le à gauche et retirez-le.
3. Installez le nouveau filtre (Fig. 9.3-2) à l'aide de la poignée en position verticale (Fig. 9.3-3).
4. Tournez-le à droite jusqu'à ce qu'il se verrouille en place.

9.4 Dégivrage

La cave à vin se dégivre automatiquement ; aucune opération manuelle n'est nécessaire.

9.5 Remplacement des lampes LED

Les lampes utilisent la LED comme source d'éclairage ; elles consomment moins d'énergie et ont une longue durée de vie. En cas de problème, veuillez contacter le service clientèle. Consultez la section SERVICE CLIENT.



AVERTISSEMENT !

Ne remplacez pas la lampe LED vous-même. Elle doit être remplacée uniquement par le fabricant ou l'agent de maintenance agréé.

Caractéristiques des lampes LED :

Tension : 12 V ; Puissance maximale : 0,72 W

9.6 Non-utilisation pendant une longue période

- ▶ Débranchez la prise d'alimentation.
- ▶ Nettoyez l'appareil et les joints de porte tel qu'indiqué ci-dessus.
- ▶ Laissez la porte ouverte pour éviter les mauvaises odeurs à l'intérieur.

9.7 Déplacement de l'appareil

1. Retirez toutes les bouteilles et débranchez l'appareil.
2. Fixez les clayettes et autres pièces amovibles à l'intérieur de la cave à vin à l'aide d'un ruban adhésif.
3. Retirez le bac de stockage d'eau pour éviter tout déversement.
4. N'inclinez pas la cave à vin à plus de 45° pour éviter d'endommager le système de réfrigération.



AVERTISSEMENT !

- ▶ Ne soulevez pas l'appareil à l'aide de ses poignées.
- ▶ Ne placez jamais l'appareil horizontalement au sol.
- ▶ Après tout déplacement de l'appareil, patientez pendant 24 heures avant de le brancher.

Vous pouvez résoudre plusieurs problèmes qui surviennent sans expertise particulière. En cas de problème, veuillez vérifier toutes les solutions possibles en suivant les instructions ci-dessous avant de contacter un service après-vente. Consultez la section SERVICE CLIENT.



AVERTISSEMENT !

- ▶ Avant tout entretien, veuillez arrêter l'appareil et débranchez-le de la prise secteur.
- ▶ Les appareils électriques doivent être entretenus uniquement par des experts en électricité, parce qu'une mauvaise intervention pourrait causer des dommages considérables.
- ▶ Faites remplacer le cordon d'alimentation endommagé par le fabricant, son représentant ou par des personnes qualifiées afin d'éviter tout risque.

10.1 Dépannage avec affichage de code



Remarque : Dépannage

- ▶ Si un code d'erreur s'affiche, veuillez appuyer sur le bouton d'alimentation pour l'effacer. Si le problème persiste, débranchez la fiche d'alimentation et contactez le service client.
- ▶ Au cas où l'on vous demanderait de contacter le service clientèle : Notez le message relatif au dépannage et communiquez-le au « SERVICE CLIENT ».

Codes d'erreur	Cause	Solution
E1	Court-circuit ou circuit défectueux du capteur de basse température.	Veuillez contacter le service après-vente pour remplacer le capteur.
F4	Court-circuit ou circuit défectueux du capteur du compartiment supérieur.	
F5	Court-circuit ou circuit défectueux du capteur du compartiment inférieur.	
H1	L'appareil émet un avertissement de température élevée lorsque la température du compartiment supérieur est supérieure à 25 °C pendant 3 heures.	La température ambiante est trop élevée. La température de fonctionnement de l'appareil doit être comprise entre 16 °C et 38 °C.
H2	L'appareil émet un avertissement de température élevée lorsque la température du compartiment inférieur est supérieure à 25 °C pendant 3 heures.	
L1	Le compresseur arrête de fonctionner lorsque la température du compartiment supérieur est inférieure à 0 °C. L'avertissement de basse température est émis lorsque la température est inférieure à 0 °C pendant 2 heures.	La température ambiante est trop basse. La température de fonctionnement de l'appareil doit être comprise entre 16 °C et 38 °C.
L2	Le compresseur arrête de fonctionner lorsque la température du compartiment inférieur est inférieure à 0 °C. L'avertissement de basse température est émis lorsque la température est inférieure à 0 °C pendant 2 heures.	

10.2 Dépannage sans affichage de code

Problème	Causes probables	Solutions possibles
Le compresseur ne fonctionne pas.	<ul style="list-style-type: none"> La fiche secteur n'est pas branchée sur la prise secteur. 	<ul style="list-style-type: none"> Branchez la fiche.
L'appareil tourne continuellement ou tourne pendant trop longtemps.	<ul style="list-style-type: none"> La température intérieure et extérieure est trop élevée. L'appareil a été en arrêt pendant trop longtemps. Une porte de l'appareil n'est pas bien fermée. La porte a été ouverte trop souvent ou pendant trop longtemps. Les joints de porte sont sales, usés, fissurés ou incompatibles. Le flux d'air nécessaire n'est pas garanti. La température est trop basse. 	<ul style="list-style-type: none"> Dans ce cas, il est normal que l'appareil tourne plus longtemps. Normalement, l'appareil met un certain temps pour refroidir complètement. Fermez la porte et assurez-vous que l'appareil est placé sur une surface plane et qu'aucun aliment ou récipient ne la cogne. N'ouvrez pas les portes trop fréquemment. Nettoyez le joint de la porte ou faites-le remplacer par le service client. Assurez une ventilation adéquate. Le problème sera résolu automatiquement une fois la température souhaitée atteinte.
L'intérieur de la cave à vin est sale et/ou dégage des odeurs.	<ul style="list-style-type: none"> L'intérieur de la cave à vin a besoin d'être nettoyé. 	<ul style="list-style-type: none"> Nettoyez l'intérieur de la cave à vin.
L'intérieur de l'appareil n'est pas suffisamment froid.	<ul style="list-style-type: none"> La température est trop élevée. Des bouteilles ont été ajoutées tout récemment. Une porte de l'appareil n'est pas bien fermée. La porte a été ouverte trop souvent ou pendant trop longtemps. Les joints de porte sont sales, usés, fissurés ou incompatibles. 	<ul style="list-style-type: none"> Réglez à nouveau la température Laissez le temps aux bouteilles récemment ajoutées d'atteindre la température souhaitée. Refermez la porte. N'ouvrez pas les portes trop fréquemment. Nettoyez le joint de la porte ou faites-le remplacer par le service client.
L'intérieur de l'appareil est trop froid.	<ul style="list-style-type: none"> La température est trop basse. 	<ul style="list-style-type: none"> Réglez à nouveau la température
Formation d'humidité à l'intérieure de la cave à vin.	<ul style="list-style-type: none"> Le climat est trop chaud et trop humide. Une porte de l'appareil n'est pas bien fermée. La porte a été ouverte trop souvent ou pendant trop longtemps. 	<ul style="list-style-type: none"> Augmentez la température Refermez la porte. N'ouvrez pas les portes trop fréquemment.

Problème	Causes probables	Solutions possibles
L'humidité s'accumule sur la surface extérieure de la cave à vin.	<ul style="list-style-type: none"> Le climat est trop chaud et trop humide. La porte n'est pas bien fermée. L'air froid dans l'appareil et l'air chaud à l'extérieur est en condensation. 	<ul style="list-style-type: none"> Ceci est normal en zone humide et cela change lorsque l'humidité diminue. Assurez-vous que la porte est fermée hermétiquement et que les joints sont parfaitement étanches.
L'appareil produit des sons bizarres.	<ul style="list-style-type: none"> L'appareil n'est pas placé sur une surface plane. L'appareil est en contact avec certains objets. 	<ul style="list-style-type: none"> Réglez les supports afin d'équilibrer l'appareil. Retirez les objets autour de l'appareil.
Un son léger comparable à celui de l'eau qui coule retentit.	<ul style="list-style-type: none"> C'est normal. 	<ul style="list-style-type: none"> -
L'éclairage intérieur ou le système de refroidissement ne fonctionne pas.	<ul style="list-style-type: none"> La fiche secteur n'est pas branchée sur la prise secteur. L'alimentation électrique est anormale. La lampe LED ne fonctionne pas. 	<ul style="list-style-type: none"> Branchez la fiche. Vérifiez l'alimentation électrique de la pièce. Contactez la compagnie d'électricité. Veillez contacter le service client pour changer la lampe.
Les parois du réfrigérateur et le joint de porte deviennent chauds.	<ul style="list-style-type: none"> C'est normal. 	<ul style="list-style-type: none"> -
La porte n'a pas été correctement fermée.	<ul style="list-style-type: none"> L'appareil n'est pas équilibré. La porte est bloquée. 	<ul style="list-style-type: none"> Équilibrez-le à l'aide des pieds de mise à niveau. Vérifiez si les bouteilles ou les clayettes peuvent en être la cause.

11.1 Fiche du produit conforme à la réglementation UE N° 1060/2010

Marque de fabrication	Haier
Numéro d'identification du modèle	WS53GDA
Catégorie du modèle	Cave à vin
Catégorie de réfrigération domestique	2
Classe d'efficacité énergétique	A
Consommation énergétique annuelle (kWh/an) ¹⁾	135
Volume de conservation réfrigération (L)	-
- du compartiment de stockage du vin	172
Volume de conservation congélation (L)	-
Classement en étoile	-
Température de stockage la plus basse du compartiment de stockage du vin	5 °C
Système de givre	-
Classe climatique : Cet appareil doit être utilisé à une température ambiante variant entre 16 °C et 38 °C.	ST
Émission de bruits aériens (db(A) re 1 pW)	40
Type de fabrication	Pose libre
Cet appareil est conçu exclusivement pour la conservation du vin.	Oui

¹⁾ basé sur des résultats d'essais standards pendant 24 heures. La consommation réelle d'énergie dépendra de l'utilisation de l'appareil et de sa position.

11.2 Autres données techniques

Volume net (en L)	172
Tension/Fréquence	220-240 V~/50 Hz
Puissance d'entrée (W)	70
Courant d'entrée (A)	0.5
Fusible principal (A)	0.4
Refroidissant	R600a
Dimensions (P/L/H en mm)	560/500/1270

11.3 Normes et directives



Ce produit répond aux exigences de toutes les directives CE applicables ainsi que les normes harmonisées correspondantes, qui prévoient le marquage CE.

Nous vous recommandons notre service clients Haier et l'utilisation de pièces de rechange d'origine.

Si vous avez un problème avec l'appareil, veuillez vous référer à la section DÉPANNAGE.

Si vous ne trouvez pas de solution, veuillez contacter

- ▶ votre vendeur local ou
- ▶ rendez-vous sur le site www.haier.com, dans la zone Service et support, vous trouverez des numéros de téléphone et une FAQ. Vous pourrez également contacter le service de réclamation.

Pour contacter notre Service, rassurez-vous que les informations ci-après sont disponibles.

Ces informations sont disponibles sur la plaque signalétique.

Modèle _____ N° de série _____

Vérifiez également la Carte de garantie fournie avec le produit en cas de garantie.

Pour des renseignements généraux concernant les entreprises, vous trouverez ci-jointes nos adresses en Europe :

Adresses de Haier en Europe			
Pays*	Adresse postale	Pays*	Adresse postale
Italie	Haier Europe Trading SRL Via De Cristoforis, 12 21100 Verese ITALIE	France	Haier France SAS 3-5 rue des Gravieres 92200 Neuilly sur Seine FRANCE
Espagne Portugal	Haier Iberie SL Pg. Garcia Faria, 49-51 08019 Barcelone ESPAGNE	Belgique-FR Belgique-NL Pays-Bas Luxembourg	Haier Bénélux SA Anderlecht Route de Lennik 451 BELGIQUE
Allemagne Autriche	Haier Allemagne GmbH Hewlett-Packard-Str. 4 D-61352 Bad Homburg ALLEMAGNE	Pologne République Tchèque Hongrie Grèce Roumanie Russie	Haier Pologne Sp. zo.o. Al. Jerozolimskie 181B 02-222 Warszawa POLOGNE
Royaume-Uni	Haier Appliances UK Co.Ltd. One Crown Square Church Street East Woking, Surrey, GU21 6HR Royaume-Uni		

*Pour de plus amples informations, veuillez consulter le site www.haier.com

WS53GDA_FR_V07_110617

Haier



Manuale dell'Utente

Cantinetta per vini

WS53GDA

IT

Haier

Vi ringraziamo per aver deciso di acquistare un prodotto Haier.

Vi invitiamo a leggere attentamente queste istruzioni prima di iniziare a usare il dispositivo. Le istruzioni contengono informazioni importanti che vi aiuteranno a trarre il meglio da questo dispositivo e vi garantiranno altresì sicurezza in fase di installazione, uso e manutenzione del dispositivo.

Conservare questo manuale in un luogo pratico, di modo da poterlo sempre consultare e garantire un utilizzo sicuro e adeguato del dispositivo.

Qualora il dispositivo venga venduto, ceduto o lasciato nella vecchia abitazione in fase di trasferimento, accertarsi sempre di lasciare anche il manuale, di modo che il nuovo proprietario possa acquisire familiarità col dispositivo e con le relative avvertenze di sicurezza.

Legenda



Avvertenza - Informazioni importanti per la sicurezza

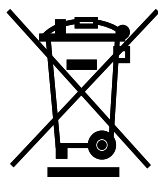


Informazioni e suggerimenti generali



Informazioni ambientali

Smaltimento



Contribuire alla protezione dell'ambiente e alla salute umana. Collocare l'imballaggio in contenitori adeguati per poterlo riciclare. Contribuire al riciclaggio dei rifiuti provenienti da dispositivi elettrici ed elettronici. Non smaltire i dispositivi recanti questo simbolo con i normali rifiuti domestici. Riportare il prodotto presso la struttura di riciclaggio locale o contattare il proprio ufficio municipale competente in merito.

Le porte e le guarnizioni vanno rimossi prima dello smaltimento, in modo tale che i bambini non restino bloccati all'interno.



AVVERTENZA!

Rischio di lesione o soffocamento!

I refrigeranti e i gas vanno smaltiti in modo professionale. Verificare che i tubi del circuito refrigerante non si siano danneggiati prima di smaltirli in modo adeguato. Scollegare il dispositivo dalla presa di corrente. Tagliare il cavo di rete e smaltirlo. Togliere i ripiani e la scatola dell'acqua, oltre che il lucchetto e le guarnizioni della porta al fine di evitare che i bambini e gli animali domestici rimangano intrappolati all'interno del dispositivo.

1- Informazioni di sicurezza	4
2- Impiegoc onforme a llos copop revisto.....	7
3- Descrizione del prodotto	8
4- Pannello di controllo.....	9
5- Installazione	10
6- Utilizzo	13
7- Suggerimenti per il risparmio di energia.....	15
8 - Strumentazione	16
9- Cura e pulizia	17
10- Guida alla risoluzione dei problemi.....	19
11- Dati tecnici	22
12- Servizio di assistenza.....	23

Prima di accendere il dispositivo per la prima volta, leggere i seguenti suggerimenti di sicurezza:



AVVERTENZA!

Prima di iniziare a usare il dispositivo

- ▶ Verificare che non vi siano danni verificatisi in fase di trasporto.
- ▶ Rimuovere completamente l'imballaggio e tenere fuori dalla portata dei bambini.
- ▶ Se la cantinetta per vini è rimasta inclinata per qualsiasi motivo, attendere 24 ore prima di collegarla.
- ▶ Spostare sempre il dispositivo in due persone, dato che è molto pesante.

Installazione

- ▶ L'apparecchiatura dovrebbe essere collocata in un luogo ben ventilato. Verificare che vi sia uno spazio di almeno 10 cm intorno al dispositivo. L'apparecchiatura è stata pensata per un'installazione indipendente, non per essere montata a incasso.
- ▶ Non mettere mai il dispositivo in un'area umida o in una posizione in cui potrebbe essere spruzzato con acqua. Pulire e asciugare gli schizzi di acqua e le macchie con un panno soffice e pulito.
- ▶ Non installare la cantinetta per vini in posizioni non debitamente isolate o riscaldate, ad esempio garage, ecc. La cantinetta per vini non è stata progettata per funzionare a una temperatura ambiente inferiore ai 16°C.
- ▶ Non installare il dispositivo direttamente esposto alla luce del sole o vicino a sorgenti di alimentazione (ad esempio: stufe, riscaldatori).
- ▶ Installare e livellare il dispositivo in un'area adatta per le sue dimensioni e per il suo uso.
- ▶ Verificare che le aperture di ventilazione, sia sull'apparecchiatura che nella struttura da incasso, siano libere da ostruzioni.
- ▶ Verificare che le informazioni elettriche sulla targhetta elettrica siano in linea con l'alimentazione disponibile. In caso contrario, contattare un elettricista.
- ▶ Il dispositivo funziona con una sorgente di alimentazione di questo tipo: 220-240 VAC/50 Hz. Delle fluttuazioni di corrente anomale potrebbero impedire l'avvio del dispositivo o danneggiare il controllo della temperatura o il compressore; si potrebbero anche sentire dei rumori anomali in fase di funzionamento. In questo caso è opportuno montare un regolatore automatico.
- ▶ Usare una presa separata, prontamente accessibile, dotata di messa a terra per l'alimentazione. L'apparecchiatura deve disporre di una messa a terra.
- ▶ **Unicamente per il Regno Unito:** Il cavo di alimentazione del dispositivo è dotato di una presa a 3 poli (con messa a terra), adatta per una normale presa a 3 poli (con messa a terra). Non tagliare o smontare mai il terzo polo (messa a terra). Dopo aver installato il dispositivo, la presa dovrebbe essere accessibile.
- ▶ Non usare ciabatte e prolunghe.
- ▶ Verificare che il cavo di alimentazione non sia intrappolato dalla cantinetta per vini. Non inciampare sul cavo di alimentazione.

**AVVERTENZA!****Uso quotidiano**

- ▶ Questa apparecchiatura può essere usata da bambini a partire dagli 8 anni di età ed oltre e da persone con ridotte capacità fisiche, sensoriali o mentali o con scarsa esperienza o conoscenza sull'uso dell'apparecchiatura, solamente se sorvegliati o se sono stati istruiti relativamente all'uso sicuro dell'apparecchiatura stessa e se ne hanno compreso i rischi.
- ▶ Tenere i bambini di età inferiore ai 3 anni lontano dal dispositivo a meno che non siano sotto costante supervisione.
- ▶ I bambini non devono giocare con l'apparecchiatura.
- ▶ Se gas freddo o altri gas infiammabili perdono nelle immediate vicinanze del dispositivo, disattivare la valvola del gas che perde, aprire porte e finestre e non scollegare o collegare il cavo di alimentazione della cantinetta per vini o di qualsiasi altro dispositivo.
- ▶ Si prega di notare che il prodotto funziona a una temperatura compresa fra i 16 e i 38 °C. Il dispositivo potrebbe non funzionare correttamente se viene lasciato a lungo a temperature superiori o inferiori all'intervallo indicato.
- ▶ Non posizionare articoli instabili (oggetti pesanti, contenitori pieni d'acqua) sopra alla cantinetta per vini all'apparecchiatura per evitare lesioni personali causate da caduta o scosse elettriche causate dal contatto con l'acqua.
- ▶ Aprire e chiudere le porte servendosi unicamente delle maniglie. Lo spazio fra le porte e fra le porte e il dispositivo di raffreddamento è molto stretto. Non mettere le mani in queste zone per evitare di pizzicarsi le dita. Aprire o chiudere le porte della cantinetta per vini solo quando non ci sono bambini nella zona di movimento delle porte.
- ▶ Non conservare o utilizzare materiali infiammabili, esplosivi o corrosivi all'interno del dispositivo o nelle immediate vicinanze.
- ▶ Non stoccare sostanze esplosive quali ad esempio aerosol con propellente infiammabile in questo dispositivo.
- ▶ Non conservare medicine, batteri o agenti chimici all'interno del dispositivo. Questo dispositivo è un elettrodomestico. Consigliamo di non conservare materiali che richiedono temperature particolarmente rigide.
- ▶ Al fine di garantire un corretto raffreddamento del vino, non sovraccaricare l'apparecchiatura.
- ▶ Non danneggiare il circuito refrigerante.
- ▶ Non impostare temperature inutilmente basse all'interno della cantinetta per vini.
- ▶ Scollegare il dispositivo in caso di interruzione di corrente o prima delle operazioni di pulizia. Lasciar passare almeno 5 minuti prima di riavviare il dispositivo, dato che operazioni di avvio frequenti potrebbero danneggiare il compressore.



AVVERTENZA!

Uso quotidiano

- ▶ Non utilizzare apparecchiature elettriche all'interno degli scomparti dell'apparecchiatura, a meno che non siano consigliati dal produttore.

Manutenzione/pulizia

- ▶ Verificare che i bambini siano supervisionati se eseguono operazioni di pulizia e manutenzione.
- ▶ Scollegare il dispositivo dall'alimentazione elettrica prima di intraprendere qualsiasi intervento di manutenzione. Lasciar passare almeno 5 minuti prima di riavviare il dispositivo, dato che operazioni di avvio frequenti potrebbero danneggiare il compressore.
- ▶ Tenere la presa e non il cavo in fase di scollegamento del dispositivo.
- ▶ Se il cavo di alimentazione è danneggiato, deve essere sostituito dal produttore, da un tecnico autorizzato o da una persona qualificata per evitare situazioni di pericolo.
- ▶ Non provare a riparare, smontare o modificare il dispositivo in modo autonomo. In caso di riparazioni rimandiamo al nostro centro assistenza clienti.
- ▶ Eliminare la polvere sulla parte posteriore dell'unità una volta all'anno per evitare di correre rischi legati al fuoco ed evitare un consumo eccessivo di corrente.
- ▶ Non spruzzare o lavare il dispositivo in fase di pulizia.
- ▶ Non usare acqua spray o vapore per pulire il dispositivo.
- ▶ Non pulire le porte in vetro fredde con acqua calda. Le improvvise variazioni di temperatura potrebbero causare la rottura del ghiaccio.

Informazioni sul gas refrigerante



AVVERTENZA!

Il dispositivo contiene il refrigerante infiammabile ISOBUTANO (R600a). Verificare che il circuito del refrigerante non si sia danneggiato in fase di trasporto o installazione. Le perdite di refrigerante possono causare lesioni agli occhi o rischi di incendio. Qualora si siano verificati danni, tenere lontano dalle fonti libere di fuoco, ventilare bene la stanza, **non** collegare o scollegare i cavi di alimentazione del dispositivo o di qualsiasi altro dispositivo. Informare l'assistenza clienti.

Qualora gli occhi entrino in contatto col refrigerante, risciacquare immediatamente sotto all'acqua corrente e chiamare immediatamente un medico oculista.

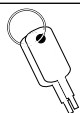
2.1 Uso previsto

Questa apparecchiatura è stata pensata per essere usata unicamente per la conservazione del vino. È stato progettato esclusivamente per essere usato all'interno di case con atmosfere asciutte all'interno. Questo prodotto è stato progettato unicamente per un uso domestico. Questo prodotto non è stato progettato per un uso commerciale o industriale.

Non sono ammesse modifiche o trasformazioni all'apparecchiatura. Un uso non previsto potrebbe causare pericoli e perdita del servizio di copertura della garanzia.

2.2 Accessori

Controllare gli accessori e la documentazione conformemente al presente elenco (Fig.:2.2):



2 tasti



Etichetta-
energetica



Garanzia
garanzia



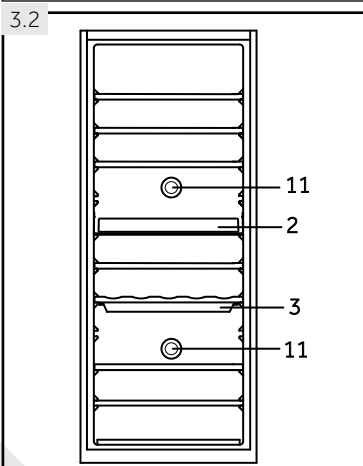
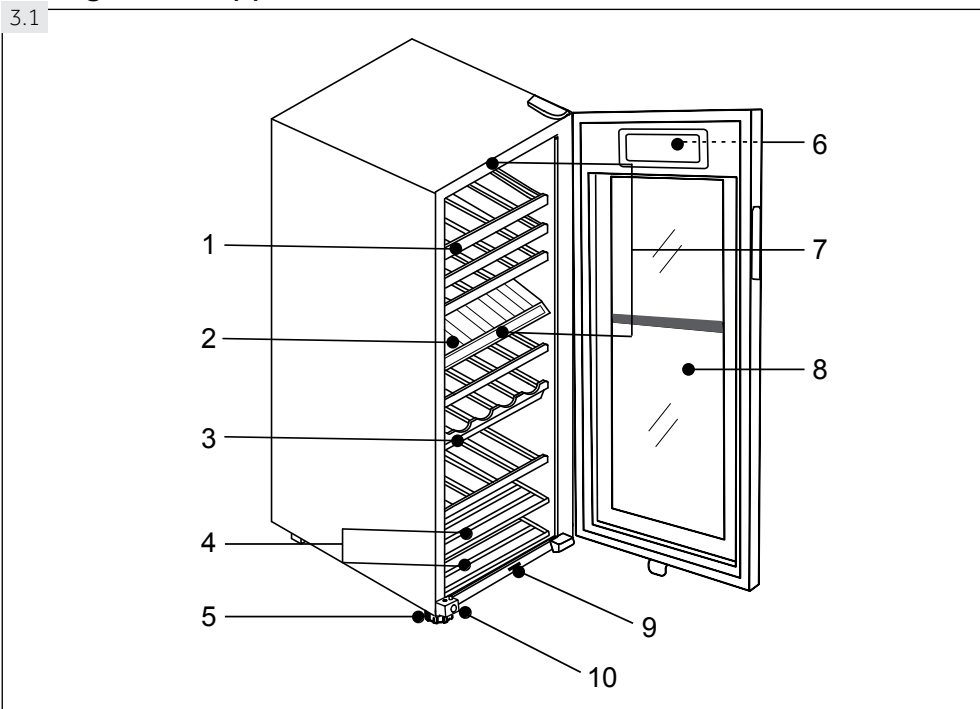
Manuale
dell'utente

2.2

i Informativa: Differenze

A causa di modifiche tecniche e modelli diversi, alcune delle illustrazioni all'interno di questo manuale potrebbero differire dal modello attuale.

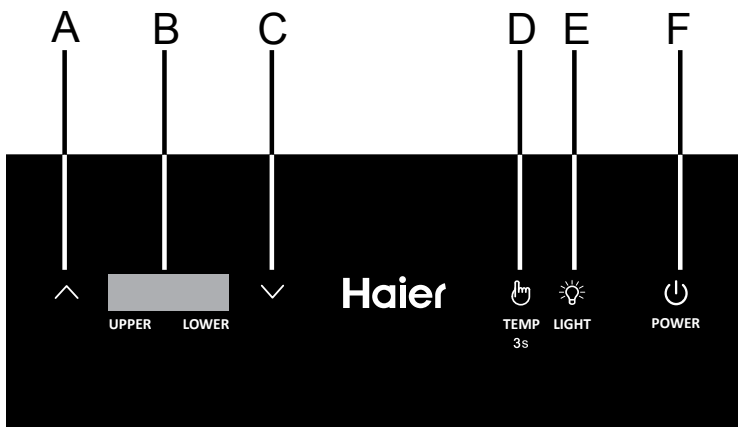
Immagine dell'apparecchiatura (Fig. 3.1 e Fig. 3.2)



- 1 Ripiani interni
- 2 Scomparto centrale
- 3 Scatola di conservazione dell'acqua
- 4 Ripiani più corti
- 5 Piedini di livellamento regolabili
- 6 Display (sulla parte anteriore della porta)
- 7 Lampada LED
- 8 Porta
- 9 Interruttore luce e ventola
- 10 Blocco
- 11 Filtri a carbone/Elimina-odori

Pannello di controllo (Fig. 4)

4



- A Pulsante di regolazione della temperatura: su
- B Display della temperatura
- C Pulsante di regolazione della temperatura: giù
- D Pulsante di impostazione della temperatura
- E Pulsante spia interna e interruttore °C/°F
- F Pulsante di alimentazione

5.1 Disimballaggio

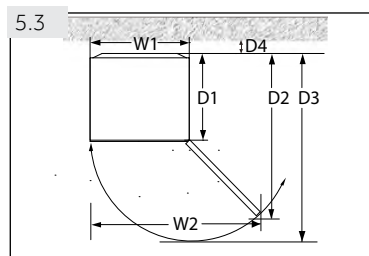


AVVERTENZA!

- ▶ L'apparecchiatura è pesante. Spostarlo sempre in due.
- ▶ Conservare tutti i materiali dell'imballaggio fuori dalla portata dei bambini e smaltirli in modo rispettoso dell'ambiente.
- ▶ Estrarre il dispositivo dall'imballaggio.
- ▶ Togliere tutti i materiali dell'imballaggio, compresa la base in schiuma, e tutto il nastro adesivo che tiene gli accessori in posizione.

5.2 Condizioni ambientali

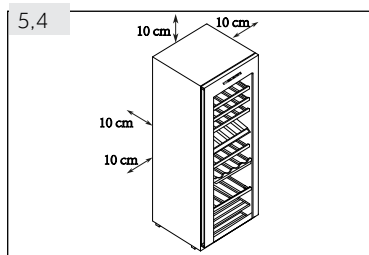
La temperatura della stanza dovrebbe sempre collocarsi in un intervallo compreso fra i 16° C e i 38° C, dato che può influenzare la temperatura all'interno del dispositivo stesso nonché il suo consumo sul piano energetico. Non installare il dispositivo vicino ad altri dispositivi che emettono calore, quali ad esempio forni e frigoriferi, isolamento.



5.3 Requisiti a livello di spazio

Spazio richiesto per aprire la porta (Fig. 5.3):

Larghezza in mm		Profondità in mm			Distanza dalla parete in mm
W1	W2	D1	D2	D3	D4
500	830	495	890	1015	100



5.4 Spazio di ventilazione

Per motivi di sicurezza e per ragioni energetiche, sarà necessario osservare la distanza di ventilazione richiesta di 10 cm in tutte le direzioni (Fig. 5.4).



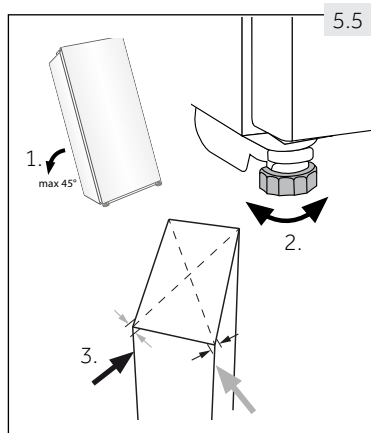
AVVERTENZA!

- ▶ Verificare che le aperture di ventilazione, sia sull'apparecchiatura che nella struttura da incasso, siano libere da ostruzioni.

5.5 Allineare l'apparecchiatura

L'apparecchiatura dovrebbe essere collocato su una superficie piatta e resistente.

1. Inclinare l'apparecchiatura leggermente all'indietro (Fig. 5.5).
2. Impostare i piedini anteriori regolabili fino al livello desiderato ruotandoli.
3. Sarà possibile verificare la stabilità andando ad agire in modo alternato sulle diagonali. Questa leggera oscillazione dovrebbe essere la stessa in entrambe le direzioni. In caso contrario, il telaio si potrebbe inclinare; le conseguenze sarebbero dei danni alle guarnizioni delle porte, che a loro volta causerebbero perdite. Una leggera inclinazione verso la parte posteriore facilita la chiusura della porta.

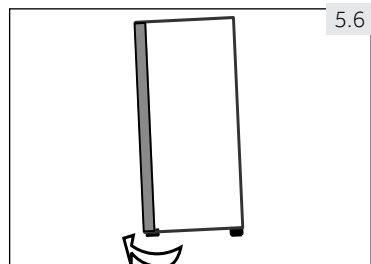


5.6 Regolazione di precisione della porta

L'apparecchiatura si chiude con più facilità se vengono usati i piedini di livellamento sulla parte anteriore.

Ruotare i piedini regolabili seguendo la direzione della freccia (Fig. 5.6) per alzarli o abbassarli.

- La rotazione dei piedini in senso orario causa un aumento della temperatura.
- La rotazione dei piedini in senso anti-orario causa un abbassamento della temperatura.



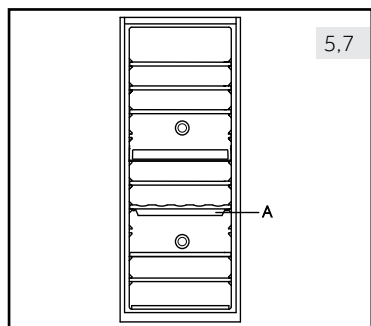
AVVERTENZA!

- Non sollevare l'apparecchiatura prendendola per le maniglie.
- Non posizionare mai il dispositivo in orizzontale a terra.
- Dopo aver inclinato l'apparecchiatura di più di 45°, attendere 24 ore prima di ricollegarla.

5.7 Riempimento della scatola di conservazione dell'acqua

La scatola di conservazione dell'acqua (A nella Fig. 5.7) dovrebbe essere riempita per tenere elevato il livello di umidità nella cantinetta per vini. Si prega di aggiungere acqua prima di accendere la cantinetta per vini. L'acqua dovrebbe sempre coprire la parte inferiore della scatola quando la cantinetta per vini è in uso.

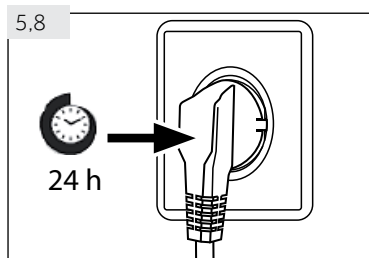
1. Estrarre la scatola dell'acqua.
2. Aggiungere acqua. È opportuno riempire all'incirca i 2/3 della scatola.
3. Mettere la scatola dell'acqua sotto al secondo ripiano dello scomparto inferiore.



AVVERTENZA!

- Prima di spostare la cantinetta per vini, togliere la scatola di conservazione dell'acqua per evitare versamenti e perdite.

5.8 Tempo d'attesa



L'olio di lubrificazione si trova nella capsula del compressore e garantisce un funzionamento senza bisogno di interventi di manutenzione. Questo olio può entrare nel sistema a tubo chiuso in fase di trasporto se l'apparecchiatura viene inclinata. Prima di collegare il dispositivo alla sorgente di alimentazione attendere 24 ore (Fig. 5.8), affinché l'olio rientri all'interno della capsula.

5.9 Collegamento elettrico

Prima di ogni collegamento, verificare che:

- ▶ la sorgente di alimentazione, la presa e il fusibile siano adeguati alla targhetta informativa.
- ▶ la presa di alimentazione sia dotata di messa a terra e non vi siano collegate ciabatte o prolunga.
- ▶ il cavo di alimentazione e la presa siano inseriti correttamente.

Collegare la spina a una presa domestica debitamente dotata di messa a terra.



AVVERTENZA!

Per evitare rischi, rivolgersi all'assistenza clienti per sostituire un cavo di alimentazione danneggiato (cfr. scheda garanzia).

6.1 Prima di iniziare a usare il dispositivo

- ▶ Togliere tutti i materiali dell'imballaggio. Ciò comprende la base della schiuma e tutto il nastro adesivo che tiene fermi gli accessori della cantinetta per vini all'interno e all'esterno. Tenere fuori dalla portata dei bambini e smaltire in modo rispettoso dell'ambiente.
- ▶ Pulire l'interno e l'esterno del dispositivo con acqua e con un detergente delicato prima di inserire alimenti all'intero.
- ▶ Dopo aver appoggiato in piano e pulito l'apparecchiatura, attendere almeno 2 ore prima di collegare nuovamente il dispositivo alla presa di corrente. Se la cantinetta per vini è rimasta inclinata per qualsiasi motivo, attendere 24 ore prima di collegarla. Consultare la sezione INSTALLAZIONE.
- ▶ Dopo aver collegato l'unità a una presa elettrica, lasciare in funzione l'unità per almeno 30 secondi per consentire l'acclimatamento prima di apportare eventuali modifiche.
- ▶ La temperatura viene automaticamente impostata su 12 °C per i due scomparti. Qualora lo si desidera è possibile modificare manualmente la temperatura. Rimandiamo alla sezione TEMPERATURA.

6.2 Tasti Touch

I pulsanti sul pannello di controllo sono touch, e rispondono quando vengono sfiorati col dito.

6.3 Accensione/spegnimento dell'apparecchiatura

Per accendere l'apparecchiatura, premere il Pulsante di alimentazione (E) per tre secondi. Per spegnere, premere nuovamente il pulsante di alimentazione.



AVVERTENZA!

- ▶ Per prolungare la durata di vita dell'apparecchiatura, evitare di spegnerla.
- ▶ Attendere come minimo 5 minuti per ricollegare l'alimentazione dopo aver eseguito lo scollegamento.

Quando l'apparecchiatura viene accesa per la prima volta, viene visualizzata la temperatura effettiva del vano (B).



Informativa: Pre-impostazioni

- ▶ Dopo aver collegato l'unità a una presa elettrica, lasciare in funzione l'unità per almeno 30 secondi per consentire l'acclimatamento prima di apportare eventuali modifiche.
- ▶ Quando il dispositivo viene acceso dopo essere stato scollegato dalla presa di corrente, potrebbe essere necessario attendere diverse ore perché venga raggiunta la temperatura adeguata. Il tempo esatto varia a seconda dell'ambiente e dell'impostazione della temperatura.



Informativa: Funzione di memoria in caso di black-out

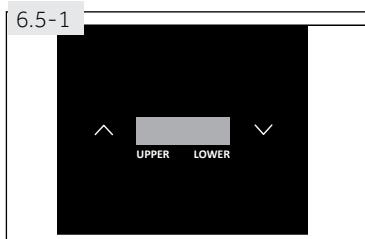
Dopo che la corrente è stata ripristinata il dispositivo continua con le impostazioni di temperatura impostate prima del black-out.

6.4 Modalità standby






La luminosità dello schermo display cala automaticamente 35 secondi dopo che è stato premuto l'ultimo tasto. Si accende automaticamente quando viene toccato qualsiasi tasto o quando viene aperta la porta.

6.5 Temperatura

La temperatura della cantinetta per vini è preimpostata su 12 °C. Può essere modificata su qualsiasi temperatura compresa fra 5 °C e 20 °C per gli scomparti singoli.



6.5.1 Impostazione della temperatura (Fig. 6.5-1)

1. Tenere premuto il pulsante  per circa 3 secondi. Il display della temperatura per il vano superiore inizia a lampeggiare.
2. Premere il pulsante  o  per aumentare o ridurre la temperatura. Una volta che è stata raggiunta la temperatura desiderata, premere il pulsante .
3. È stata impostata la temperatura per il vano superiore, e la temperatura per il vano inferiore inizia a lampeggiare.
4. Ripetere il passaggio 2 per impostare la temperatura per il vano inferiore. Anziché premere il pulsante  alla fine, sarà possibile attendere 5 secondi senza toccare il display.
5. Quando il display smette di lampeggiare, torna a visualizzare la temperatura attuale all'interno della cantinetta per vini. Sarà necessario attendere un po' di tempo per raggiungere la temperatura impostata.

6.5.2 Cambiamento fra visualizzazione in Celsius e Fahrenheit

Per modificare l'unità di misurazione della temperatura, premere il pulsante  per circa 3 secondi. La temperatura visualizzata passa da Celsius a Fahrenheit e viceversa.

6.5.3 Funzione di compensazione bassa temperatura

La cantinetta per vini dispone di una funzione di compensazione della temperatura al fine di garantire la stabilità della temperatura: Quando la temperatura ambiente è inferiore rispetto alla temperatura impostata, la cantinetta per vini avvia automaticamente la funzione di compensazione bassa-temperatura, riscaldando così l'applicazione. Quando la temperatura nell'applicazione raggiunge il livello impostato, viene automaticamente disattivata la funzione di compensazione bassa temperatura.



Informativa: Influenze sulle temperature

La temperatura all'interno dell'apparecchiatura è influenzata dai seguenti fattori:

- ▶ Temperatura ambiente
- ▶ Quantitativo di bottiglie conservate all'interno
- ▶ Frequenza di apertura della porta
- ▶ Installazione del dispositivo

6.5.4 Impostazione di temperatura consigliata per il vino

Vengono consigliate le seguenti temperature per le diverse tipologie di vino.

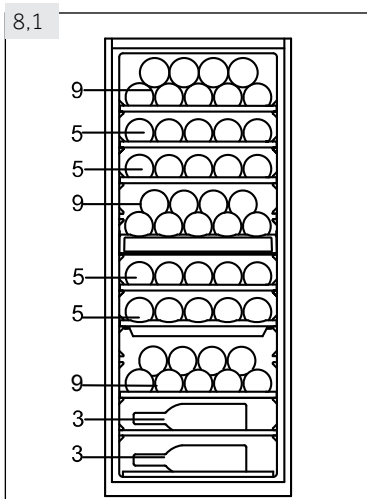
Vino rosso	da +14 °C a +20 °C	Vino frizzante, Prosecco	da +7 °C a +9 °C
Vino Rosé	da +10 °C a +12 °C	Champagne	da +5 °C a +7 °C
Vino bianco	da +8 °C a +12 °C		

Se il vino viene conservato per lunghi periodi di tempo, va conservato a una temperatura compresa fra i +10 °C e +12 °C.



Suggerimenti per risparmiare energia


- ▶ Verificare che il dispositivo disponga di una ventilazione adeguata (cfr. INSTALLAZIONE).
- ▶ Non installare il dispositivo direttamente esposto alla luce del sole o vicino a sorgenti di alimentazione (ad esempio: stufe, riscaldatori).
- ▶ Evitare di impostare temperature inutilmente basse all'interno dello scomparto frigorifero. Il consumo di energia aumenta mano a mano che si scende con la temperatura impostata nel dispositivo.
- ▶ Aprire la porta del dispositivo leggermente, unicamente quando necessario.
- ▶ Non superare il numero di bottiglie indicato per evitare di ostruire il flusso dell'aria.
- ▶ Tenere pulite le guarnizioni di modo che la porta si chiuda correttamente.

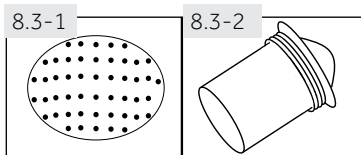


8.1 Ripiani

1. I ripiani sono stati progettati per una facile conservazione ed estrazione del vino. Possono essere puliti con un panno morbido.
2. Sarà possibile impilare le bottiglie di dimensioni normali con un diametro di 78 mm (Fig. 8.1).
3. Sarà possibile impilare le bottiglie Magnum sul ripiano inferiore.
4. La quantità può variare rispetto al numero di bottiglie indicate nell'immagine, a condizione che siano impilate diversamente.

8.2 Illuminazione

Il LED interno si accende quando viene aperta la porta. Per accendere la luce mentre la porta è chiusa, toccare il pulsante . Per spegnere le luci, toccare nuovamente il pulsante. Al fine di aumentare l'efficienza energetica, le luci dovrebbero essere spente quando la cantinetta per vini non deve essere vista dagli ospiti.



8.3 Elimina-odori

I fori del dispositivo elimina-odori (Fig. 8.3-1) sulla parte posteriore dell'unità aiutano a rimuovere gli odori stantii, indesiderati, per mezzo di un filtro a carbone (Fig. 8.3-2).

8.4 Il blocco

Per chiudere a chiave la cantinetta per vini, chiudere la porta e mettere la chiave nella serratura:

- ▶ Bloccare la porta ruotando la chiave in senso anti-orario;
- ▶ Sbloccare la porta ruotando la chiave in senso orario.



AVVERTENZA!

Le chiavi vanno tenute fuori dalla portata dei bambini e non nelle immediate vicinanze dell'apparecchiatura al fine di impedire che i bambini restino bloccati all'interno dell'apparecchiatura stessa.

8.5 Scatola di conservazione dell'acqua

L'acqua nella scatola dovrebbe essere sempre installata al fine di mantenere il corretto livello di umidità all'interno della cantinetta per vini. L'acqua dovrebbe coprire la parte inferiore della scatola ogni qualvolta la cantinetta per vini è in uso.

Rimandiamo alla sezione INSTALLAZIONE.

**AVVERTENZA!**

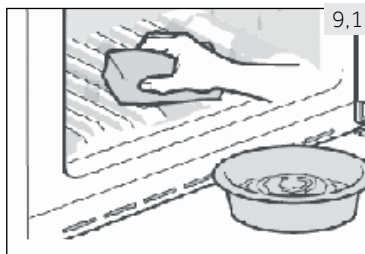
Scollegare il dispositivo dalla presa di corrente prima di avviare le operazioni di pulizia.

9.1 Norme di sicurezza generali

Pulire il dispositivo solamente quando all'interno c'è poco vino o quando è completamente vuoto. Sarà necessario pulirlo solo quando è sporco.

**AVVERTENZA!**

- ▶ Non pulire il dispositivo con spazzole dure, spugnette abrasive, detergente in polvere, petrolio, amil acetato, acetone e altre simili soluzioni organiche, soluzioni acide o alcaline. Pulire con l'apposito detergente per il frigorifero per evitare danni.
 - ▶ Non spruzzare o lavare il dispositivo in fase di pulizia.
 - ▶ Non usare acqua spray o vapore per pulire il dispositivo.
 - ▶ Non pulire le porte in vetro fredde con acqua calda. Le improvvise variazioni di temperatura potrebbero causare la rottura del ghiaccio.
-
- ▶ Pulire l'interno e l'alloggiamento della dispositivo servendosi di una spugna imbevuta di acqua tiepida e detergente neutro (Fig. 9.1).
 - ▶ Sarà possibile usare una soluzione detergente di 3 - 4 cucchiaini di detersivo con acqua calda.
 - ▶ Risciacquare con acqua tiepida pulita e asciugare con un panno morbido.
 - ▶ Non pulire alcun componente dell'apparecchio in lavastoviglie.
 - ▶ Lasciar passare almeno 5 minuti prima di riavviare il dispositivo, dato che operazioni di avvio frequenti potrebbero danneggiare il compressore.
 - ▶ Le guarnizioni della porta dovrebbero essere pulite a intervalli di tre mesi al fine di garantire una buona tenuta.

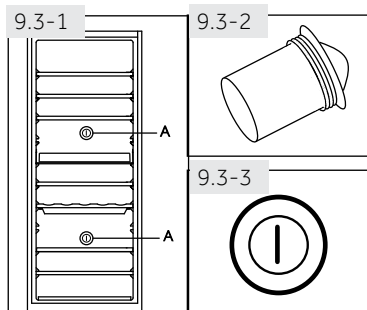
**9.2 Pulizia dei ripiani**

Sarà possibile estrarre tutti i ripiani per eseguire le operazioni di pulizia.

1. Estrarre tutte le bottiglie.
2. Sollevare un po' ogni singolo ripiano.
3. Estrarre il ripiano.
4. Pulire il ripiano con un asciugamano morbido.
5. Attendere che i ripiani siano asciutti prima di riposizionarli.

**AVVERTENZA!**

Attendere come minimo 5 minuti per ricollegare l'alimentazione dopo aver eseguito lo scollegamento.



9.3 Sostituzione del dispositivo elimina-odori

Il filtro a carbone dovrebbe essere sostituito ogni 3 a 5 anni.

1. Prendere il filtro a carbone (A) per la maniglia (Fig. 9.3-1).
2. Ruotarlo verso sinistra, quindi estrarlo.
3. Inserire il nuovo filtro (Fig. 9.3-2) con la maniglia in posizione verticale (Fig. 9.3-3).
4. Ruotarlo verso destra fino a che non si blocca in posizione.

9.4 Scongellamento

Lo sbrinatorio della cantinetta per vini avviene in automatico, non è necessario intervenire manualmente.

9.5 Sostituzione della lampada LED

La lampada si serve della tecnologia LED come sorgente luminosa. Ciò comporta un basso consumo energetico e una lunga durata di vita. In caso di anomalie di funzionamento invitiamo a contattare la nostra assistenza clienti. Cfr. ASSISTENZA CLIENTI.



AVVERTENZA!

Non sostituire la lampada da soli. Va sostituita solo dal produttore o dall'agente di servizio autorizzato.

Parametri della lampada LED:

Tensione 12 V; Potenza massima: 0,72 W

9.6 Non uso per lunghi periodi di tempo

- ▶ Togliere il cavo di alimentazione.
- ▶ Pulire l'apparecchiatura e la guarnizione della porta conformemente a quanto descritto più sopra.
- ▶ Tenere aperta la porta per evitare la formazione di cattivi odori all'interno.

9.7 Spostamento dell'apparecchiatura

1. Togliere tutte le bottiglie e scollegare il dispositivo.
2. Fissare i ripiani e tutte le parti mobili nella cantinetta per vini servendosi di nastro adesivo.
3. Togliere la scatola di conservazione dell'acqua per evitare rovesciamenti.
4. Non inclinare la cantinetta per vini più di 45° per evitare di danneggiare il sistema refrigerante.



AVVERTENZA!

- ▶ Non sollevare l'apparecchiatura prendendola per le maniglie.
- ▶ Non posizionare mai il dispositivo in orizzontale a terra.
- ▶ Dopo aver spostato l'apparecchiatura attendere 24 ore prima di eseguire il collegamento.

Sarà possibile risolvere molti dei problemi che si potrebbero presentare senza disporre di un'esperienza specifica. In caso di problemi controllare tutte le possibilità indicate e attenersi alle seguenti istruzioni prima di contattare il servizio post vendita. Cfr. ASSISTENZA CLIENTI.



AVVERTENZA!

- ▶ Prima di eseguire qualunque intervento di manutenzione, spegnere l'apparecchio ed estrarre la spina dalla presa.
- ▶ Gli interventi di manutenzione sulla strumentazione elettrica vanno eseguiti unicamente da elettricisti esperti, dato che l'esecuzione di riparazioni in modo non adeguato può causare gravi danni alla strumentazione.
- ▶ Un'alimentazione danneggiata va sostituita unicamente dal produttore, dal suo agente di servizio o da persone qualificate al fine di evitare pericoli.

10.1 Guida alla risoluzione dei problemi con codice display



Nota: Guida alla risoluzione dei problemi

- ▶ Qualora compaia un codice di errore si prega di premere il pulsante informazioni per eliminare questi errori. Qualora i messaggi continuino a venire visualizzati, estrarre la spina e contattare l'assistenza clienti.
- ▶ Qualora venga richiesto di contattare l'assistenza clienti: Annotare il messaggio del problema e comunicarlo all'"ASSISTENZA CLIENTI".

Codice di errore	Causa	Soluzione
E1	Cortocircuito o circuito del sensore bassa temperatura rotto.	Contattare il servizio post-vendita per sostituire il sensore.
F4	Corto-circuito o circuito del sensore del vano superiore rotto.	
F5	Corto-circuito o circuito del sensore del vano inferiore rotto.	
H1	L'apparecchiatura emette un'avvertenza di temperatura elevata quando la temperatura del vano superiore è rimasta più alta di 25 °C per 3 ore.	La temperatura ambiente è troppo alta. La temperatura di funzionamento dell'apparecchiatura dovrebbe essere compresa fra 16 °C e 38 °C.
H2	L'apparecchiatura emette un'avvertenza di temperatura elevata quando la temperatura del vano inferiore è rimasta più alta di 25 °C per 3 ore.	
L1	Il compressore smette di funzionare quando la temperatura del vano superiore è inferiore a 0 °C. L'avvertenza di bassa temperatura viene emessa quando la temperatura è stata inferiore a 0 °C per 2 ore.	La temperatura ambiente è troppo bassa. La temperatura di funzionamento dell'apparecchiatura dovrebbe essere compresa fra 16 °C e 38 °C.
L2	Il compressore smette di funzionare quando la temperatura del vano inferiore è inferiore a 0 °C. L'avvertenza di bassa temperatura viene emessa quando la temperatura è stata inferiore a 0 °C per 2 ore.	

10.2 Guida alla risoluzione dei problemi senza codice a display

Problema	Possibile causa	Possibile soluzione
Il compressore non funziona.	<ul style="list-style-type: none"> La spina non è collegata alla presa di corrente. 	<ul style="list-style-type: none"> Inserire la spina nella presa.
Il dispositivo funziona frequentemente oppure funziona per periodi di tempo troppo lunghi.	<ul style="list-style-type: none"> La temperatura interna o esterna è troppo alta. Il dispositivo è stato spento per lunghi periodi di tempo. Una porta del dispositivo non è stata chiusa correttamente. La porta è stata aperta con eccessiva frequenza o troppo a lungo. Le guarnizioni della porta sono sporche, usurate, rotte o non sono posizionate correttamente. Non è garantito il livello adeguato di circolazione dell'aria. La temperatura è impostata su un livello troppo basso. 	<ul style="list-style-type: none"> In questo caso, è normale che il dispositivo funzioni più a lungo. Di norma, è necessario aspettare un po' di tempo per consentire un raffreddamento completo del dispositivo. Chiudere la porta e verificare che il dispositivo si trovi su una superficie piana e che non vi siano alimenti o contenitori che bloccano la porta. Non aprire la porta con eccessiva frequenza. Pulire la guarnizione della porta o provvedere alla sostituzione da parte del servizio clienti. Garantire un livello di ventilazione adeguato. Il problema verrà risolto quando viene raggiunta la temperatura desiderata.
La parte interna della cantinetta per vini è sporca e/o emette cattivi odori.	<ul style="list-style-type: none"> La parte interna della cantinetta per vini deve essere pulita. 	<ul style="list-style-type: none"> Pulire l'interno della cantinetta per vini.
All'interno del dispositivo non c'è abbastanza freddo.	<ul style="list-style-type: none"> La temperatura è impostata su un livello troppo alto. Le bottiglie sono state aggiunte di recente. Una porta del dispositivo non è stata chiusa correttamente. La porta è stata aperta con eccessiva frequenza o troppo a lungo. Le guarnizioni della porta sono sporche, usurate, rotte o non sono posizionate correttamente. 	<ul style="list-style-type: none"> Resettare la temperatura. Lasciar tempo che le bottiglie aggiunte di recente raggiungano la temperatura desiderata. Chiudere la porta. Non aprire la porta con eccessiva frequenza. Pulire la guarnizione della porta o provvedere alla sostituzione da parte del servizio clienti.
All'interno del dispositivo c'è troppo freddo.	<ul style="list-style-type: none"> La temperatura è impostata su un livello troppo basso. 	<ul style="list-style-type: none"> Resettare la temperatura.

Problema	Possibile causa	Possibile soluzione
Formazione di umidità all'interno dello scomparto della cantinetta per vini.	<ul style="list-style-type: none"> • Il clima è troppo caldo e troppo umido. • Una porta del dispositivo non è stata chiusa correttamente. • La porta è stata aperta con eccessiva frequenza o troppo a lungo. 	<ul style="list-style-type: none"> • Aumentare la temperatura. • Chiudere la porta. • Non aprire la porta con eccessiva frequenza.
L'umidità si accumula sulla superficie esterna della cantinetta per vini.	<ul style="list-style-type: none"> • Il clima è troppo caldo e troppo umido. • La porta non è chiusa saldamente. L'aria fredda all'interno del dispositivo e l'aria calda all'esterno causano condensa. 	<ul style="list-style-type: none"> • Si tratta di una condizione normale con climi umidi. Ciò varierà al variare del livello di umidità. • Verificare che la porta sia chiusa saldamente e che le guarnizioni sigillino in modo adeguato.
Il dispositivo emette rumori strani.	<ul style="list-style-type: none"> • Il dispositivo non era appoggiato su una superficie piana. • Il dispositivo tocca alcuni oggetti nelle immediate vicinanze. 	<ul style="list-style-type: none"> • Regolare i piedini e livellare il dispositivo. • Togliere gli oggetti nelle immediate vicinanze del dispositivo.
Si sente un suono leggero, simile a dell'acqua che scorre.	<ul style="list-style-type: none"> • Non si tratta di un'anomalia di funzionamento. 	<ul style="list-style-type: none"> • -
Il sistema di illuminazione interno non funziona.	<ul style="list-style-type: none"> • La spina non è collegata alla presa di corrente. • Il sistema di alimentazione non è intatto. • Una delle lampade LED non funziona. 	<ul style="list-style-type: none"> • Inserire la spina nella presa. • Controllare il sistema di alimentazione della stanza. Contattare la società elettrica! • Rivolgersi all'assistenza clienti per la sostituzione della lampada.
I lati del frigorifero e la parete della porta si surriscaldano.	<ul style="list-style-type: none"> • Non si tratta di un'anomalia di funzionamento. 	<ul style="list-style-type: none"> • -
La porta non si chiude correttamente.	<ul style="list-style-type: none"> • L'apparecchiatura non è in piano. • La porta è bloccata. 	<ul style="list-style-type: none"> • Mettere a livello l'apparecchiatura con i piedini di livellamento. • Controllare la presenza di blocchi quali ad esempio bottiglie o ripiani.

11.1 Scheda prodotto conformemente alla normativa UE numero 1060/2010

Marchio commerciale	Haier
Identificatore modello	WS53GDA
Categoria del modello	Cantinetta per vini
Categoria di raffreddamento per la casa	2
Classe di efficienza energetica	A
Consumo energetico annuo (kWh/anno) ¹⁾	135
Volume di conservazione raffreddamento (L)	-
- dello comparto di conservazione del vino	172
Congelamento, volume di conservazione (L)	-
Valutazione a stelle	-
Temperatura di conservazione più bassa del vano dei vini	5 °C
Sistema senza gelo Frostfree	-
Classe climatica: Questo dispositivo è stato pensato per essere usato a una temperatura ambiente compresa fra 16 °C e 38 °C.	ST
Emissioni sonore di rumore trasmesse tramite l'aria (db(A) re 1pW)	40
Tipo di costruzione	Indipendente
Questa apparecchiatura è stata pensata per essere usata unicamente per la conservazione del vino.	Sì

¹⁾ sulla base dei risultati di test standard per 24 ore. Il consumo effettivo di energia dipenderà dalla modalità d'uso nonché dalla sua ubicazione.

11.2 Dati tecnici aggiuntivi

Volume netto (L)	172
Tensione / Frequenza	220-240 V~/50 Hz
Ingresso di corrente (W)	70
Corrente in ingresso (A)	0,5
Fusibile principale (A)	0,4
Refrigerante	R600a
Dimensioni (P/L/H in mm)	560/500/1270

11.3 Standard e direttive



Questo prodotto soddisfa i requisiti di tutte le direttive CE applicabili con i corrispondenti standard armonizzati, il che gli conferisce la marcatura CE.

Consigliamo di fare riferimento alla nostra Assistenza Clienti Haier; consigliamo inoltre di servirsi di componenti originali.

In caso di problemi col dispositivo, controllare come prima cosa la sezione GUIDA ALLA RISOLUZIONE DEI PROBLEMI.

Qualora non fosse possibile trovare una soluzione, contattare

- ▶ il proprio rivenditore locale
- ▶ l'area Assistenza & Supporto su www.haier.com dove è possibile trovare numeri di telefono e Domande Frequenti e da dove è possibile attivare la richiesta di intervento.

Per contattare il nostro Servizio, verificare di disporre dei seguenti dati.

Le informazioni si trovano sulla targhetta.

Modello _____ Numero seriale _____

Consigliamo inoltre di controllare la Scheda Garanzia fornita in dotazione col prodotto qualora si debba fare ricorso alla garanzia.

Per richieste commerciali generiche indichiamo qui di seguito i nostri indirizzi in Europa:

Indirizzi Haier europei			
Paese*	Indirizzo postale	Paese*	Indirizzo postale
Italia	Haier Europe Trading SRL Via De Cristoforis, 12 21100 Varese ITALIA	Francia	Haier Francia SAS 3-5 rue des Graviers 92200 Neuilly sur Seine FRANCIA
Spagna Portogallo	Haier Iberia SL Pg. Garcia Faria, 49-51 08019 Barcellona SPAGNA	Belgio-FR Belgio-NL Paesi Bassi Lussemburgo	Haier Benelux SA Anderlecht Route de Lennik 451 BELGIO
Germania Austria	Haier Germania GmbH Hewlett-Packard-Str. 4 D-61352 Bad Homburg GERMANIA	Polonia Repubblica Ceca Ungheria Grecia Romania Russia	Haier Polonia Sp. zo.o. Al. Jerozolimskie 181B 02-222 Varsavia POLONIA
Regno Unito	Haier Appliances Regno Unito Co.Ltd. One Crown Square Church Street East Woking, Surrey, GU21 6HR Regno Unito		

*Per ulteriori informazioni rimandiamo a www.haier.com

WS53GDA_IT_V07_110617

Haier



Gebruikshandleiding

Wijnkelder

WS53GDA

NL

Haier

Dank u voor uw aankoop van dit Haier product.

Lees deze handleiding grondig voor u het apparaat in gebruik neemt. De handleiding bevat belangrijke informatie die u zal helpen uw apparaat optimaal te gebruiken en het veilig en correct te installeren, gebruiken en onderhouden.

Bewaar deze handleiding zodat u hem steeds kunt raadplegen voor het veilig en correct gebruik van het apparaat.

Als u het apparaat verkoopt, wegschenkt, of achterlaat wanneer u verhuist, moet u deze handleiding ook meegeven zodat de nieuwe eigenaar vertrouwd kan raken met het apparaat en de veiligheidswaarschuwingen.

Legende



Waarschuwing - Belangrijke veiligheidsinformatie

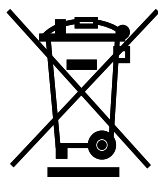


Algemene informatie en tips



Milieu-informatie

Verwijdering



Help het milieu en de gezondheid te beschermen. Plaats de verpakking in de geschikte containers om het te recycleren. Help afval van elektrische en elektronische apparaten recycleren. Gooi apparaten die voorzien zijn van dit symbool niet weg met huishoudelijk afval. Retourneer het product naar uw lokale instelling of neem contact op met uw gemeentelijk kantoor.

Deuren en dichtingen moeten worden verwijderd voor u het product weggooit zodat kinderen er zich niet in kunnen vergrendelen.



WAARSCHUWING!

Risico op letsels of verstikking!

Koelmiddelen en gassen moeten door professionals worden verwijderd. Zorg ervoor dat de leiding van het koelcircuit niet beschadigd is voor het correct verwijderd wordt. Ontkoppel het apparaat van het netwerk. Snijd het netsnoer door en verwijder het. Verwijder de laden en het waterreservoir samen met slot en de afdichtingen om te vermijden dat kinderen of huisdieren in het apparaat vastgeklemd kunnen raken

1- Veiligheidsinformatie	4
2- Beoogd gebruik	7
3- Productbeschrijving	8
4- Bedieningspaneel	9
5- Installatie	10
6- Gebruik	13
7- Energiebesparing tips	15
8 - Apparatuur	16
9- Zorg en reiniging	17
10- Probleemoplossen	19
11- Technische gegevens	22
12- Klantendienst	23

Voor u het apparaat de eerste maal inschakelt, moet u het veiligheidsadvies lezen!:



WAARSCHUWING!

Voor de eerste ingebruikname

- ▶ Zorg ervoor dat er geen schade is opgetreden tijdens het transport.
- ▶ Verwijder alle verpakking en buiten de buurt van kinderen bewaren.
- ▶ Als uw wijnkelder om de een of andere reden gekanteld werd, moet u 24 uur wachten voor u de stekker invoert.
- ▶ Het apparaat moet altijd door minimum twee personen worden gedragen omdat het zo zwaar is.

Installatie

- ▶ Het apparaat moet in een goed geventileerde locatie worden geplaatst. Zorg ervoor dat er minimum 10 cm boven en rond het apparaat wordt gelaten. Het werd enkel ontworpen voor een vrijstaande installatie, niet voor een ingebouwde installatie.
- ▶ Plaats het apparaat nooit in een vochtige locatie waar de kans bestaat dat water op de koelkast spat. Reinig en droog waterspatten en vlekken met een zachte, schone doek.
- ▶ Installeer uw wijnkelder niet op een locatie die niet correcte geïsoleerd of verwarmd is, bijv. een garage, etc. Uw wijnkelder is niet ontworpen om te werken bij een kamertemperatuur van minder dan 16°C.
- ▶ U mag het apparaat niet installeren in direct zonlicht of in de buurt van warmtebronnen (bijv. fornuizen, verwarming).
- ▶ Installeer en nivelleer het apparaat in een ruimte die geschikt is voor de afmetingen en de toepassing van het apparaat.
- ▶ Houd de ventilatieopeningen in het apparaat of de ingebouwde structuur vrij van belemmeringen.
- ▶ Zorg ervoor dat de elektrische informatie op het naamplaatje overeenstemt met de stroomtoevoer. Zo niet moet u contact opnemen met een elektricien.
- ▶ Het apparaat werkt met een voeding van 220-240 VAC/50 Hz. Abnormale spanningsschommelingen kunnen ertoe leiden dat het apparaat niet start, of de temperatuurcontrole of de compressor beschadigen, of er kan abnormaal lawaai ontstaan tijdens de werking. In een dergelijk geval wordt een automatische regelaar gemonteerd.
- ▶ Gebruik een afzonderlijke, eenvoudig toegankelijk, aardgeleider voor de voeding. Het apparaat moet geaard worden.
- ▶ **Enkel voor het VK:** Het netsnoer van het apparaat is uitgerust met een driepolige stekker (aarding) die past in een driepolige (geaarde) stekker. Snij de derde pin (aarding) nooit weg of demonteer ze niet. De stekker moet ook na de installatie toegankelijk zijn.
- ▶ Gebruik geen multi-stekker adapters of verlengsnoeren.
- ▶ Zorg ervoor dat het netsnoer niet geklemd zit onder de wijnkelder. Step niet op het netsnoer.

**WAARSCHUWING!****Dagelijks gebruik**

- ▶ Dit apparaat mag worden gebruikt door kinderen van 8 jaar en ouder en personen met een verminderde fysiek, gevoelsmatig en mentaal vermogen of een gebrek aan ervaring en kennis als ze onder toezicht staan of instructies krijgen met betrekking tot het veilige gebruik van het apparaat en de betrokken risico's.
- ▶ Houd het apparaat uit de buurt van kinderen jonger dan 3 jaar oud tenzij ze onder constant toezicht staan.
- ▶ Kinderen mogen niet spelen met het apparaat.
- ▶ Als er een lichtgaslek of ander ontvlambaar gaslek ontstaat in de buurt van het apparaat moet u de klep van het lekkend gas sluiten, de deuren en ramen openen en de stekker niet verwijderen van de wijnkelder of niet in het stopcontact voeren.
- ▶ Denk eraan dat het apparaat ingesteld is voor een werking binnen een specifiek temperatuurbereik van 16 tot 38 °C. Het apparaat werkt mogelijk niet als het gedurende een langere periode aan hogere of lagere temperatuur wordt ingesteld.
- ▶ Plaats geen onstabiele artikelen (zware voorwerpen, containers gevuld met water) bovenop de wijnkelder om persoonlijke letsels te vermijden veroorzaakt door het vallen of door elektrische schokken door het contact met water.
- ▶ Open en sluit de deuren enkel bij de handvaten. De opening tussen de deuren en de koeler is bijzonder smal. Voer uw handen niet in deze zones om te vermijden dat uw vingers geklemd zouden raken. Zorg ervoor dat niemand in de weg staat wanneer u de deur van de wijnkelder opent of sluit.
- ▶ Berg geen ontvlambaar, explosief of corrosief materiaal op in het apparaat of in de buurt.
- ▶ U mag geen explosieve stoffen opslaan zoals een aerosol container met een ontvlambaar drijfgas in dit apparaat.
- ▶ Bewaar geen medicijnen, bacteriën of chemische stoffen in het apparaat. Dit apparaat is een huishoudelijk apparaat. Het is niet aanbevolen materiaal op te slaan die strikte temperaturen vereisen.
- ▶ Voor een optimale koeling van uw wijn mag u het apparaat niet overladen.
- ▶ Beschadig het koelmiddelcircuit niet.
- ▶ Stel geen nodeloos lage temperatuur in in de wijnkelder.
- ▶ Ontkoppel het apparaat in het geval van een stroompanne of voor elke reinigingsbeurt. Wacht minimum 5 minuten voor u het apparaat opnieuw opstart aangezien het herhaaldelijk starten de compressor kan beschadigen.



WAARSCHUWING!

Dagelijks gebruik

- ▶ Gebruik geen elektrische apparaten in de opbergvakken van het apparaat, tenzij ze worden aanbevolen door de fabrikant.

Onderhoud/reinigen

- ▶ Zorg ervoor dat kinderen onder toezicht staan als ze het apparaat reinigen of onderhouden.
- ▶ Verwijder de stekker uit het stopcontact voor u onderhoudswerkzaamheden uitvoert. Wacht minimum 5 minuten voor u het apparaat opnieuw opstart aangezien het herhaaldelijk starten de compressor kan beschadigen.
- ▶ U mag nooit aan het netsnoer trekken om de stekker uit het stopcontact te verwijderen.
- ▶ Als het netsnoer beschadigd is, moet het worden vervangen door de fabrikant, zijn onderhoudsdienst of dergelijk gekwalificeerde personen om ieder risico uit te sluiten.
- ▶ Probeer het apparaat nooit zelf te repareren. Neem contact op met onze klantendienst om reparaties te laten uitvoeren.
- ▶ Verwijder het stof minimum een maal per jaar van de achterzijde van het apparaat om brandgevaar of een hoger energieverbruik te voorkomen.
- ▶ Spray niet op het apparaat of spoel het niet voor de reiniging.
- ▶ Gebruik geen waterspray of stoom om het apparaat te reinigen.
- ▶ Reinig de koude glazen deuren niet met warm water. Plotse temperatuurwijzigingen kunnen het glas doen breken.

Koelgasinformatie



WAARSCHUWING!

Het apparaat bevat het ontvlambare koelmiddel ISOBUTHAAN (R600a). Zorg ervoor dat het koelcircuit niet beschadigd is tijdens het transport of de installatie. Lekkend koelmiddel kan letsels veroorzaken aan de ogen of ontvlammen. Als er schade optreedt, moet u het uit de buurt van open vlammen houden, de ruimte grondig ventileren, de netsnoeren **niet** verwijderen uit of invoeren in stopcontact. Licht de klantendienst in.

Als uw ogen in contact komen met het koelmiddel moet u onmiddellijk spoelen in stromend water en onmiddellijk contact opnemen met uw oogspecialis.

2.1 Beoogd gebruik

Dit apparaat is exclusief bedoeld voor het opslaan van wijn. Het werd exclusief ontworpen voor gebruik in droge huishoudelijke ruimten. het is enkel bedoeld voor huishoudelijk gebruik. Het is niet bedoeld voor commercieel of industrieel gebruik.

Wijzigingen aan het apparaat zijn niet toegelaten. Onbedoeld gebruik kan gevaar en het verlies van de garantie betekenen.

2.2 Accessoires

Controleer de accessoires en literatuur op basis van de onderstaande lijst (Afb. 2.2):



2 sleutels



Energie-
label



Garantie
kaart



Gebruiker
handleiding

2.2

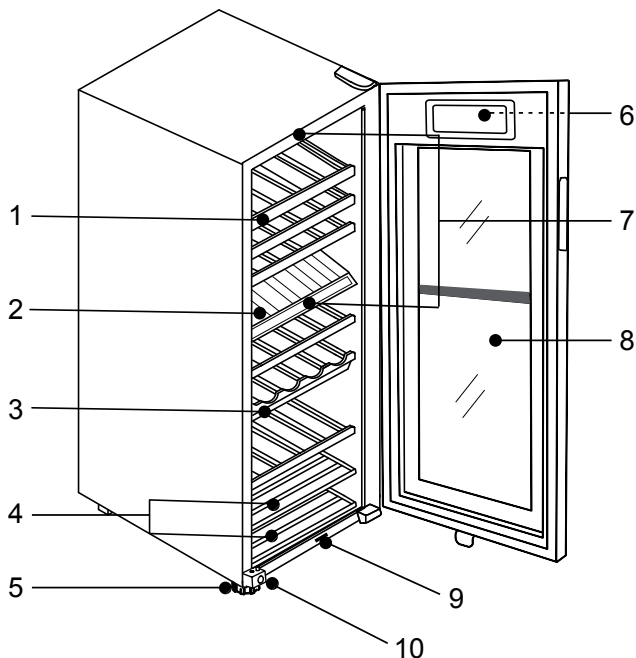


Opgelet: Verschillen

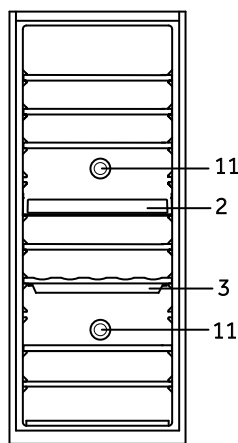
Omwille van technische wijzigingen en uiteenlopende modellen kunnen de illustraties in deze handleiding verschillen van uw model.

Foto van apparaat (Afb. 3.1 en 3.2)

3.1



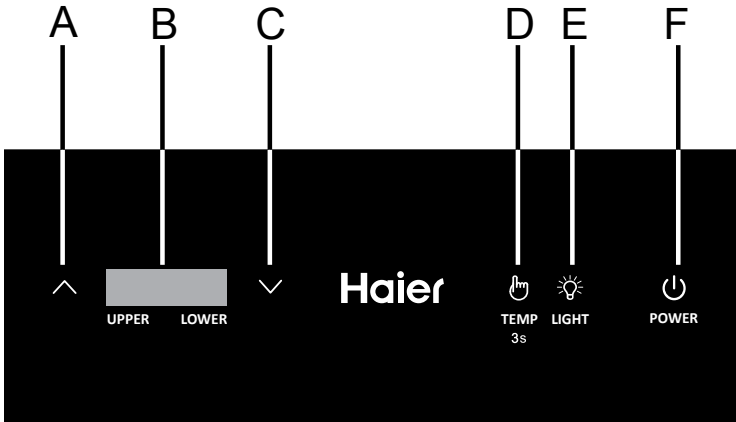
3.2



- 1 Interne laden
- 2 Middelste partitie
- 3 Water opbergvak
- 4 Kortere laden
- 5 Instelbare voetjes
- 6 Scherm (vooraan op de deur)
- 7 LED lamp
- 8 Deur
- 9 Licht en ventilator schakelaar
- 10 Vergrendeling
- 11 Koolstoffilters/ontgeurder

Bedieningspaneel (Afb. 4)

4



- A Temperatuur instelling knop: omhoog
- B Temperatuur scherm
- C Temperatuur instelling knop: omlaag
- D Temperatuurinstelling knop
- E Knop voor intern licht en °C/°F-schakelaar
- F Aan/Uit knop

5.1 Uitpakken

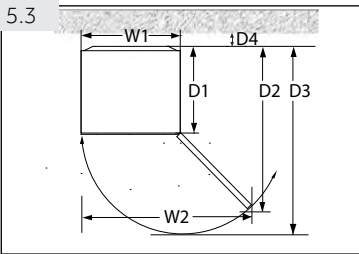


WAARSCHUWING!

- ▶ Het apparaat is zwaar. Draag het altijd met twee personen.
- ▶ Houd alle verpakking buiten het bereik van kinderen en gooi ze weg op een milieuvriendelijke wijze.
- ▶ Verwijder het apparaat uit de verpakking.
- ▶ Verwijder al het verpakkingsmateriaal, inclusief de schuimbasis en de plakband van de accessoires.

5.2 Milieumomstandigheden

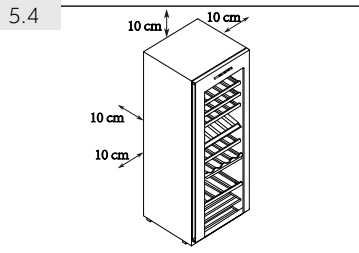
De kamertemperatuur moet altijd tussen 16 °C en 38 °C zijn aangezien het de temperatuur in het apparaat en het energieverbruik kan beïnvloeden. Installeer het apparaat niet in de buurt van warmte-uitstralende apparaten (ovens, koelkasten) zonder isolatie.



5.3 Ruimtevereisten

Vereiste ruimte om de deur te openen (Afb. 5.3):

Breedte in mm		Diepte in mm			Afstand met de muur in mm
W1	W2	D1	D2	D3	D4
500	830	495	890	1015	100



5.4 Ventilatie ruimte

Uit veiligheids- en energieverbruik overwegingen moet de vereiste ventilatie afstand van 10 cm in alle richtingen worden gerespecteerd (Afb. 5.4).



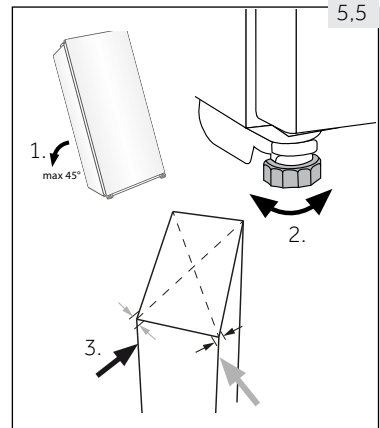
WAARSCHUWING!

- ▶ Houd de ventilatieopeningen in het apparaat of de ingebouwde structuur vrij van belemmeringen.

5.5 Het apparaat uitlijnen

Het apparaat moet op een vlakke en stevige ondergrond worden geplaatst.

1. Kantel de koelkast lichtjes naar achter (Afb. 5.5).
2. Stel de instelbare voet vooraan in op het gewenste niveau door er aan te draaien.
3. De stabiliteit kan worden gecontroleerd door zachtjes te kloppen op de diagonale hoeken. De lichte bewegingen moeten hetzelfde zijn in beide richtingen. Zo niet kan het kader vervormen; dit kan resulteren in lekken in de deuropakkingen. Een lage tendens naar achter vereenvoudigt het sluiten van de deur.

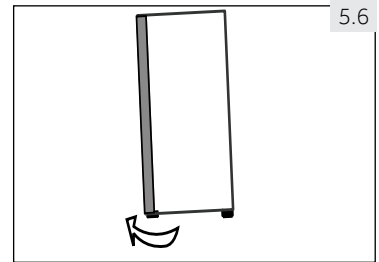


5.6 De deur fijnafstemmen

Het apparaat sluit gemakkelijker als de voetjes vooraan worden gebruikt:

Draai de instelbare voet in de richting van de pijl (Afb. 5.6) om de voet omhoog of omlaag in te stellen:

- ▶ Als u de voet met de wijzers van de klok draait, verhoogt u het apparaat.
- ▶ Als u de voet tegen de wijzers van de klok draait, verhoogt u het apparaat.



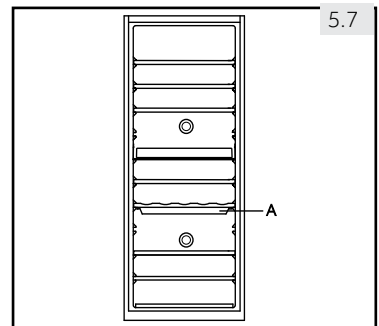
WAARSCHUWING!

- ▶ U mag het apparaat niet bij de handvaten dragen.
- ▶ Plaats het apparaat nooit horizontaal op de grond.
- ▶ Als het apparaat meer dan 45° is gekanteld, moet u 24 uur wachten voor u de stekker in het stopcontact voert.

5.7 Het water opslagreservoir vullen

Het water opslagreservoir (A in Afb. 5.7) moet altijd gevuld zijn om de vochtigheidsgraad in de wijnkelder te handhaven. Voeg water toe voor u de wijnkelder inschakelt. Het water moet altijd de bodem van het reservoir afdekken als de wijnkelder in gebruik is.

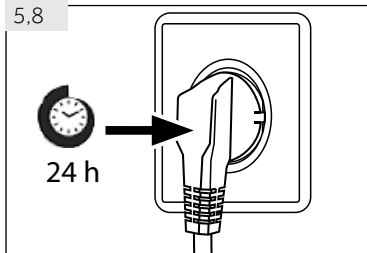
1. Verwijder het waterreservoir.
2. Voeg water toe. Het moet ca. 2/3 van het reservoir vullen.
3. Plaats het waterreservoir onder de tweede lade van het onderste opbergvak.



WAARSCHUWING!

- ▶ Voor u de wijnkelder verplaatst, moet u het waterreservoir verwijderen om morsen te vermijden.

5.8



5.8 Wachtijd

De onderhoudsvrije smeerolie bevindt zich in de capsule van de compressor. Deze olie kan doorheen de afgesloten leidingen dringen als het apparaat gekanteld wordt tijdens transport. Voor u het apparaat aansluit op het elektrisch net moet u 24 uur (Afb. 5.8) wachten zodat de olie in de capsule kan stromen.

5.9 Elektrische verbinding

Voor elke aansluiting moet u controleren of:

- ▶ het elektrisch net, stopcontact en de zekeringen overeenstemmen met de informatie op het naamplaatje.
- ▶ het stopcontact geaard is en geen multi-stekker of verlengsnoer is.
- ▶ de stekker en het stopcontact overeenstemmen.

Voer de stekker in een correct geïnstalleerd stopcontact bij u thuis.



WAARSCHUWING!

Om risico's te vermijden, moet een beschadigd netsnoer worden vervangen door de klantendienst (zie garantiekaart).

6.1 Voor de eerste ingebruikname

- ▶ Verwijder alle verpakkingsmateriaal. Dit omvat het schuim en de plakband waarmee de interne en externe wijnkelder accessoires bevestigd zijn op de koelkast. Houd ze buiten het bereik van kinderen en gooi ze weg op een milieuvriendelijke wijze.
- ▶ Reinig de binnen- en buitenzijde van het apparaat met water en een zacht reinigingsmiddel voor u er etenswaren in plaatst.
- ▶ Nadat het apparaat genivelleerd en gereinigd is, moet u minimum 2 uur wachten voor u het aansluit op het elektrisch net. Als uw wijnkelder om de een of andere reden gekanteld werd, moet u 24 uur wachten voor u de stekker invoert. Zie sectie INSTALLATIE.
- ▶ Zodra u de stekker van het apparaat in een stopcontact hebt gevoerd, moet u het gedurende minimum 30 minuten laten werken om te acclimatiseren voor u aanpassingen uitvoert.
- ▶ De temperatuur wordt automatisch ingesteld op 12°C voor beide opbergvakken. Indien gewenst, kunt u deze temperaturen handmatig wijzigen. Zie TEMPERATUUR.

6.2 Aanraaktoetsen

De knoppen op het bedieningspaneel zijn aanraaktoetsen die reageren als u ze licht aanraakt met de vinger.

6.3 Het apparaat in/uitschakelen

Om het apparaat in te schakelen, drukt u op de Power-knop (E) gedurende drie seconden. Om het opnieuw uit te schakelen, drukt u opnieuw op de Power-knop.



WAARSCHUWING!

- ▶ Om de levensduur van het apparaat te verlengen, moet u vermijden het uit te schakelen.
- ▶ Wacht ten minste 5 minuten om de stroom opnieuw in te schakelen nadat de stroom werd uitgeschakeld.

Wanneer het apparaat de eerste maal wordt ingeschakeld, wordt de reële temperatuur van het opbergvak weergegeven.



Opgelet: Voorinstellingen

- ▶ Zodra u de stekker van het apparaat in een stopcontact hebt gevoerd, moet u het gedurende minimum 30 minuten laten werken om te acclimatiseren voor u aanpassingen uitvoert.
- ▶ Als het apparaat ingeschakeld wordt na een ontkoppeling van het netwerk kan het tot meerdere uren duren voor de correcte temperaturen worden bereikt. De exacte tijdsduur varieert naargelang de omgeving en de temperatuurinstelling.



Opgelet: Geheugenfunctie tijdens stroompanne

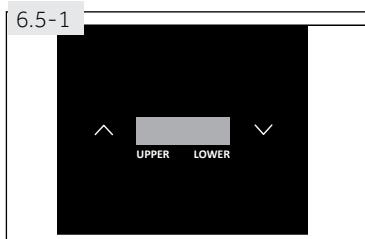
Na herstel van de stroom blijft het apparaat met dezelfde temperatuurinstelling werken die werd ingesteld voor de stroompanne.

6.4 Stand-by modus

Het scherm wordt automatisch gedimd na 35 seconden nadat de laatste toets werd aangeraakt. Het licht automatisch op wanneer een toets wordt aangeraakt of als de deur wordt geopend.

6.5 Temperatuur

De temperatuur van de wijnkelder wordt vooringesteld op 12°C. Ze kan worden gewijzigd op een temperatuur tussen 5°C en 20°C voor de individuele opbergvakken.



6.5.1 De temperatuur instellen (Afb. 6.5-1)

1. Houd de knop ingedrukt gedurende 3 seconden. Het temperatuurscherm voor het bovenste opbergvak begint te knippen.
2. Druk op de of knoppen om de temperatuur te verhogen of te verlagen. Wanneer de gewenste temperatuur wordt bereikt, drukt u op de knop.
3. De temperatuur voor het bovenste opbergvak werd ingesteld en de temperatuur voor het onderste opbergvak begint te knippen.
4. Herhaal stap 2 om de temperatuur in te stellen voor het onderste vak. In de plaats van de knop in te drukken aan het einde kunt u 5 seconden wachten zonder het scherm aan te raken.
5. Wanneer het scherm stopt met knippen, schakelt het terug om de huidige temperatuur in de wijnkelder weer te geven. Het duurt even om de ingestelde temperatuur te bereiken.

6.5.2 Schakelen tussen Celsius en Fahrenheit

Om de weergegeven meeteenheid te wijzigen, drukt u op de knop gedurende ca. 3 seconden. De weergegeven temperatuur schakelt tussen Celsius naar Fahrenheit en terug.

6.5.3 Lage temperatuur compensatiefunctie

De wijnkelder heeft een lage temperatuur compensatiefunctie om de stabiliteit van de temperatuur te garanderen: Als de omgevingstemperatuur lager is dan de ingestelde temperatuur start de wijnkelder de lage temperatuur compensatiefunctie automatisch om het apparaat op te warmen. Als de temperatuur in het apparaat de ingestelde temperatuur bereikt, schakelt de lage temperatuur compensatiefunctie automatisch uit.



Opgelet: Invloeden op temperaturen

De temperatuur in het apparaat wordt beïnvloed door de volgende factoren:

- ▶ Omgevingstemperatuur
- ▶ Aantal opgeslagen flessen
- ▶ Regelmaat van het openen van de deur
- ▶ Installatie van het apparaat

6.5.4 Aanbevolen temperatuurinstellingen voor wijn

De volgende temperaturen worden aanbevolen voor het drinken van uiteenlopende soorten wijn.

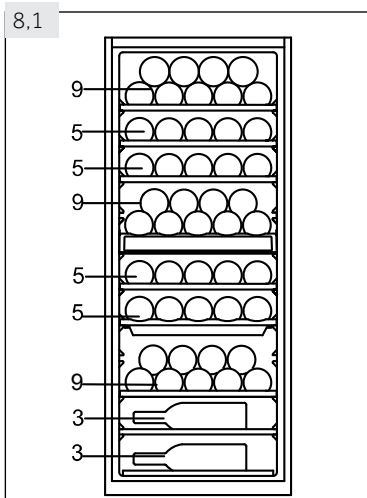
Rode wijn	+14 °C tot +20 °C	Schuimwijn, Prosecco	+7 °C tot +9 °C
Rosé	+10 °C tot +12 °C	Champagne	+5 °C tot +7 °C
Witte wijn	+8 °C tot +12 °C		

Als u wijn gedurende lange perioden opslaat, moet ze aan een temperatuur tussen +10 °C en +12 °C worden opgeslagen.



Energiebesparing tips


- ▶ Zorg ervoor dat het apparaat correct geventileerd is (zie INSTALLATIE).
- ▶ U mag het apparaat niet installeren in direct zonlicht of in de buurt van warmtebronnen (bijv. fornuizen, verwarming).
- ▶ Vermijd onnodig lage temperaturen in het apparaat. Het energieverbruik verhoogt hoe lager de temperatuur van het apparaat wordt ingesteld.
- ▶ Open de deur van het apparaat zo weinig en zo kort mogelijk.
- ▶ U mag de aangegeven hoeveelheid flessen niet overschrijden om de luchtstroom niet te belemmeren.
- ▶ Houd de afdichtingen van de deuren schoon zodat de deur altijd correct sluit.



8.1 Laden

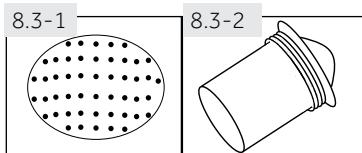
1. De laden zijn ontworpen voor een eenvoudige opberging en gemakkelijke verwijdering van de wijn. Ze kunnen worden gereinigd met een zachte doek.
2. Normale flessen met een diameter van 78 mm kunnen worden gestapeld (Afb. 8.1).
3. Magnum flessen kunnen op de onderste lade worden gestapeld.
4. Het aantal kan variëren van het weergegeven aantal flessen als ze op een andere wijze worden gestapeld.

8.2 Het licht

Het interne LED licht schakelt in wanneer de deur geopend is. Om het licht in te schakelen als de deur vergrendeld is, raakt u de  knop aan. Om het licht opnieuw uit te schakelen, raakt u de knop opnieuw aan. Om de efficiëntie energie te verhogen, moeten de lichten worden uitgeschakeld als de wijnkelder niet wordt gebruikt.

8.3 Ontgeurder

De ontgeurder openingen (Afb. 8.3-1) op de achterzijde van het apparaat helpt muffe, ongewenste geurtjes te verwijderen via een koolstoffilter (Afb. 8.3-2).



8.4 Het slot

Om de wijnkelder te vergrendelen, sluit u de deur en plaatst u de sleutel in het slot:

- ▶ Vergrendel de deur door de sleutel in wijzerzin te draaien;
- ▶ Ontgrendel de deur door de sleutel tegen wijzerzin te draaien;



WAARSCHUWING!

De sleutels moeten uit de buurt van kinderen worden gehouden en niet in de buurt van het apparaat zodat kinderen zich niet in het apparaat kunnen vergrendelen.

8.5 Water opbergvak

Het water in het vak moet altijd worden aangebracht om de vochtigheid te handhaven in de wijnkelder. Het water moet de bodem van het reservoir afdekken als de wijnkelder in gebruik is.

Zie INSTALLATIE.



WAARSCHUWING!

Ontkoppel het apparaat van het elektrisch net voor de reiniging.

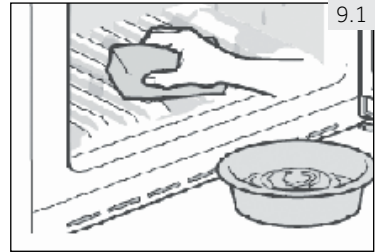
9.1 Algemeen

Reinig het apparaat als er slechts een kleine hoeveelheid of geen wijn wordt opgeslagen. Het is enkel te reinigen wanneer u vuil opmerkt.



WAARSCHUWING!

- ▶ Reinig het apparaat niet met harde borstels, draadborstels, oplospoeder, petroleum, amyloacetaat, aceton en gelijkaardige organische oplossingen, zuur of alkalische oplossingen. Gebruik speciaal koelkast reinigingsmiddel om schade te vermijden.
- ▶ Spray niet op het apparaat of spoel het niet voor de reiniging.
- ▶ Gebruik geen waterspray of stoom om het apparaat te reinigen.
- ▶ Reinig de koude glazen deuren niet met warm water. Plotse temperatuurwijzigingen kunnen het glas doen breken.
- ▶ Reinig de binnenzijde en de behuizing van het apparaat met een spons in warm water en een neutraal reinigingsmiddel (Afb. 9.1).
- ▶ U kunt een oplossing van 3 tot 4 eetlepels natriumcarbonaat gemengd met warm water gebruiken voor de reiniging.
- ▶ Spoel met zuiver warm water en droog met een zachte doek.
- ▶ U mag geen van de onderdelen van het apparaat wassen in de vaatwasmachine.
- ▶ Laat het apparaat minimum 5 minuten rusten voor u het apparaat herstart want dit kan de compressor beschadigen.
- ▶ De deurpakkingen moeten elke drie maanden worden gereinigd om een correcte afdichting te garanderen.



9.2 De laden reinigen

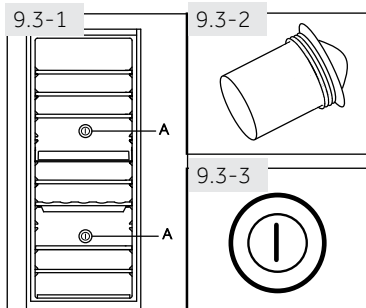
Alle laden kunnen worden verwijderd om ze te reinigen.

1. Verwijder alle flessen.
2. Til elke lade even op.
3. Verwijder de lade.
4. Reinig de lade met een zachte doek
5. Wacht tot de laden droog zijn voor u ze terugplaatst.



WAARSCHUWING!

Wacht ten minste 5 minuten om de stroom opnieuw in te schakelen nadat de stroom werd uitgeschakeld.



9.3 De ontgeurder vervangen

De koolstoffilter moet elke 3 tot 5 jaar worden vervangen.

1. Verwijder de koolstoffilter (A) bij het handvat (Afb. 9.3-1).
2. Draai hem naar links en verwijder hem.
3. Voer de nieuwe filter (Afb. 9.3-2) in met het handvat in een verticale positie (Afb. 9.3-3).
4. Draai hem naar rechts tot hij vastklikt.

9.4 Ontdooien

De wijnkelder ontdooit automatisch; er is geen handmatige bewerking nodig.

9.5 De LED lamp vervangen

De lamp gebruikt de LED als haar lichtbron, met een laag energieverbruik en een lange levensduur. Als u iets abnormaal opmerkt, kunt u contact opnemen met de klantendienst. Zie KLANTENDIENST.



WAARSCHUWING!

U mag de LED lamp niet zelf vervangen. Het mag enkel worden vervangen door de fabrikant of door een geautoriseerde service agent.

Parameters van de LED lamp

Spanning 12 V; Max. vermogen: 0,72 W

9.6 Niet gebruikt gedurende een lange periode

- ▶ Ontkoppel het netsnoer.
- ▶ Reinig het apparaat en de deurpakkingen zoals hierboven beschreven.
- ▶ Houd de deuren open om de onaangename geurtjes te voorkomen.

9.7 Het apparaat verplaatsen

1. Verwijder alle flessen en ontkoppel het apparaat.
2. Beveilig de laden en andere bewegende onderdelen in de wijnkelder met plakband.
3. Verwijder het water opslagreservoir om spatten te vermijden.
4. U mag de wijnkelder niet meer dan 45° kantelen om schade aan het koelsysteem te vermijden.



WAARSCHUWING!

- ▶ U mag het apparaat niet bij de handvaten dragen.
- ▶ Plaats het apparaat nooit horizontaal op de grond.
- ▶ Nadat u het apparaat verplaatst hebt, moet u 24 uur wachten voor u de stekker in het stopcontact voert.

U kunt vele problemen die zich voordoen zelf oplossen zonder specifieke expertise. In het geval van een probleem moet u alle weergegeven mogelijkheden controleren en de onderstaande instructies volgen voor u contact opneemt met de dienst na verkoop. Zie KLANTENDIENST.



WAARSCHUWING!

- ▶ Voor ieder onderhoud moet u het apparaat uitschakelen en de stekker verwijderen uit het stopcontact.
- ▶ Elektrische apparaten mogen uitsluitend door gekwalificeerde elektrische experts worden onderhouden. Incorrecte reparaties kunnen aanzienlijke gevolgschade veroorzaken.
- ▶ Als het netsnoer beschadigd is, moet het worden vervangen door de fabrikant, zijn onderhoudsdienst of dergelijk gekwalificeerde personen om ieder risico uit te sluiten.

10.1 Probleemoplossing met weergavecode



Opmerking: Probleemoplossen

- ▶ Als er een foutbericht verschijnt, moet u de Aan/Uit-knop indrukken om het te doen verdwijnen. Als het blijft verschijnen, verwijdert u het netsnoer en neemt u contact op met de klantendienst.
- ▶ Als u gevraagd wordt contact op te nemen met de klantendienst: Noteer het probleemoplossen bericht en raadpleeg "KLANTENDIENST".

Foutcode	Oorzaak	Oplossing
E1	Kortsluiting of een verbroken circuit van de lage temperatuur sensor.	Neem contact op met de dienst na verkoop om de sensor te laten vervangen.
F4	Kortsluiting of een verbroken circuit van de sensor in het bovenste opbergvak.	
F5	Kortsluiting of een verbroken circuit van de sensor in het onderste opbergvak.	
H1	Het apparaat geeft een hoge temperatuur waarschuwing weer als de temperatuur van het bovenste opbergvak hoger is dan 25°C gedurende 3 uur.	De omgevingstemperatuur is te hoog. De omgevingstemperatuur van het apparaat moet tussen 16 °C en 38 °C zijn.
H2	Het apparaat geeft een hoge temperatuur waarschuwing weer als de temperatuur van het onderste opbergvak hoger is dan 25°C gedurende 3 uur.	
L1	De compressor stopt met werken als de temperatuur van het bovenste opbergvak lager is dan 0°C. De lage temperatuur waarschuwing verschijnt wanneer de temperatuur lager is dan 0°C gedurende 2 uur.	De omgevingstemperatuur is te laag. De omgevingstemperatuur van het apparaat moet tussen 16 °C en 38 °C zijn.
L2	De compressor stopt met werken als de temperatuur van het onderste opbergvak lager is dan 0°C. De lage temperatuur waarschuwing verschijnt wanneer de temperatuur lager is dan 0°C gedurende 2 uur.	

10.2 Probleemoplossing zonder weergavecode

Probleem	Mogelijke oorzaak	Mogelijke oplossing
De compressor werkt niet.	<ul style="list-style-type: none"> De stekker is niet ingevoerd in het stopcontact. 	<ul style="list-style-type: none"> Voer de stekker in het stopcontact.
Het apparaat draait regelmatig of gedurende een te lange periode.	<ul style="list-style-type: none"> De interne en externe temperatuur is te hoog. Het apparaat is al een zekere periode uitgeschakeld. Een deur van het apparaat is niet stevig gesloten. De deur is te vaak of te lang geopend. De pakkingen van de deur zijn vuil, versleten, gebarsten of stemmen niet overeen. De vereiste luchtcirculatie is niet gegarandeerd. De temperatuur is te laag ingesteld. 	<ul style="list-style-type: none"> In dat geval is het normaal dat het apparaat langer draait. Het duurt gewoonlijk een tijdje tot het apparaat volledig afkoelt. Sluit de deur en zorg ervoor dat het apparaat op een vlakke ondergrond is geplaatst en dat er geen etenswaren of container de deur blokkeert. Open de deur niet te vaak. Reinig de pakking van de deur of laat ze vervangen door de klantendienst. Zorg voor voldoende ventilatie. Het probleem zal zichzelf oplossen wanneer de gewenste temperatuur wordt bereikt.
De binnenzijde van de wijnkelder is vuil en/of stinkt.	<ul style="list-style-type: none"> De binnenzijde van de wijnkelder moet worden gereinigd. 	<ul style="list-style-type: none"> Reinig de binnenzijde van de wijnkelder.
Het is onvoldoende koud binnen in het apparaat.	<ul style="list-style-type: none"> De temperatuur is te hoog ingesteld. Er werden recent flessen toegevoegd. Een deur van het apparaat is niet stevig gesloten. De deur is te vaak of te lang geopend. De pakkingen van de deur zijn vuil, versleten, gebarsten of stemmen niet overeen. 	<ul style="list-style-type: none"> Stel de temperatuur opnieuw in. Gun de recent toegevoegde flessen de tijd om voldoende af te koelen. Sluit de deur. Open de deur niet te vaak. Reinig de pakking van de deur of laat ze vervangen door de klantendienst.
Het is te koud in het apparaat.	<ul style="list-style-type: none"> De temperatuur is te laag ingesteld. 	<ul style="list-style-type: none"> Stel de temperatuur opnieuw in.
Vochtvorming op de binnenzijde van de wijnkelder.	<ul style="list-style-type: none"> Het klimaat is te warm en te vochtig. Een deur van het apparaat is niet stevig gesloten. De deur is te vaak of te lang geopend. 	<ul style="list-style-type: none"> Verhoog de temperatuur. Sluit de deur. Open de deur niet te vaak.

Probleem	Mogelijke oorzaak	Mogelijke oplossing
Vocht accumuleert op de buitenzijde van de wijnkelder	<ul style="list-style-type: none"> Het klimaat is te warm en te vochtig. De deur is niet volledig gesloten. De koude lucht in het apparaat en de warme lucht buiten condenseert. 	<ul style="list-style-type: none"> Dit is normaal in een vochtig klimaat en zal veranderen wanneer de vochtigheidsgraad daalt. Zorg ervoor dat de deur nauw gesloten is en dat de pakkingen correct afdichten.
Het apparaat maakt abnormaal lawaai.	<ul style="list-style-type: none"> Het apparaat staat niet op een vlakke ondergrond. Het apparaat komt in contact met een aanpalend voorwerp. 	<ul style="list-style-type: none"> Stel de voeten in om het apparaat te nivelleren. Verwijder objecten rond het apparaat.
U moet een licht geluid horen, gelijkaardig aan dat van stromend water.	<ul style="list-style-type: none"> Dit is normaal. 	<ul style="list-style-type: none"> -
De interne verlichting of het koelsysteem werkt niet.	<ul style="list-style-type: none"> De stekker is niet ingevoerd in het stopcontact. De voeding is niet intact. De LED lamp is defect. 	<ul style="list-style-type: none"> Voer de stekker in het stopcontact. Controleer de elektrische toevoer naar de kamer. Bel het lokale elektriciteitsbedrijf! Bel de service om de lamp te vervangen.
De zijkanten van de koeler en deurstrip kunnen warm worden.	<ul style="list-style-type: none"> Dit is normaal. 	<ul style="list-style-type: none"> -
De deur is niet correct gesloten,	<ul style="list-style-type: none"> Het apparaat staat niet loodrecht. De deur is geblokkeerd. 	<ul style="list-style-type: none"> Nivelleer het apparaat met de nivellering voeten. Controleer op blokkeringen zoals flessen of laden.

11.1 Productfiche conform regel EU Nr. 1060/2010

Handelsmerk	Haier
Modelidentificatie	WS53GDA
Categorie van het model	Wijnkelder
Huishoudelijke koeling categorie	2
Energie efficiëntieklasse	A
Jaarlijks energieverbruik (kWu/jaar) ¹⁾	135
Opslagvolume koelen (L)	-
- van wijn opbergvak	172
Opslagvolume vriezen (L)	-
Ster classificatie	-
Laagste opslagtemperatuur van het wijnvak	5 °C
Vorstvrij systeem	-
Klimaatklasse: Dit apparaat is bedoeld voor gebruik bij een temperatuur tussen 16 °C en 38 °C.	ST
Akoestische geluidsemisssies in de lucht (db(A) re 1pW)	40
Constructietype	Vrijstaand
Dit apparaat is exclusief bedoeld voor het opslaan van wijn.	Ja

¹⁾ op basis van standaardtestresultaten voor 24 uur. Het reële energieverbruik hangt af van het gebruik van het apparaat en waar het zich bevindt.

11.2 Bijkomende technische gegevens

Nettovolume (L)	172
Spanning / Frequentie	220-240 V~/50 Hz
Invoervermogen (W)	70
Invoerspanning (A)	0,5
Hoofdzekering (A)	0,4
Koelmoeistof	R600a
Afmetingen (H/B/D in mm)	560/500/1270

11.3 Normen en richtlijnen

Dit product stemt overeen met de vereisten van alle toepasselijke EU-richtlijnen met de overeenstemmende geharmoniseerde normen die gelden voor de CE-markering.

We raden onze Haier klantendienst aan en het gebruik van originele reserveonderdelen. Als u een probleem ondervindt met uw apparaat moet u eerst de sectie PROBLEEMOPLOSSEN controleren.

Als u daar geen oplossing vindt, kunt u contact opnemen met

- ▶ uw lokale verdeler of
- ▶ de Onderhoud & Ondersteuning zone op www.haier.com waar u telefoonnummers en VGV kunt vinden en waar uw service claim kunt activeren.

Wanneer u contact opneemt met onze service moet u de volgende informatie bij de hand hebben.

De informatie staat vermeld op het naamplaatje.

Model _____ Serienr. _____

Controleer ook het garantiekartje dat wordt geleverd met het product met betrekking tot de garantie.

Voor algemene zakelijke vragen vindt u hieronder onze adressen in Europa:

Europese Haier adressen			
Land*	Postadres	Land*	Postadres
Italië	Haier Europe Trading SRL Via De Cristoforis, 12 21100 Verese ITALIË	Frankrijk	Haier France SAS 3-5 rue des Graviers 92200 Neuilly sur Seine FRANKRIJK
Spanje Portugal	Haier Iberia SL Pg. Garcia Faria, 49-51 08019 Barcelona SPANJE	België-FR België-NL Nederland Luxemburg	Haier Benelux SA Anderlecht Route de Lennik 451 BELGIË
Duitsland Oostenrijk	Haier Deutschland GmbH Hewlett-Packard-Str. 4 D-61352 Bad Homburg DUITSLAND	Polen Tsjechië Hongarije Griekenland Roemenië Rusland	Haier Poland Sp. zo.o. Al. Jerozolimskie 181B 02-222 Warszawa POLEN
Verenigd Koninkrijk	Haier Appliances UK Co.Ltd. One Crown Square Church Street East Woking, Surrey, GU21 6HR UK		

*Voor meer informatie verwijzen wij u naar www.haier.com

WS53GDA_NL_V07_110617

Haier



Instrukcja obsługi

Chłodziarka do win

WS53GDA

PL

Haier

Dziękujemy za zakup produktu Haier.

Przed użyciem urządzenia prosimy o dokładne zapoznanie się z instrukcją. Instrukcja zawiera ważne informacje, które pomogą Ci uzyskać jak najlepszą pracę urządzenia i zapewnić bezpieczną i prawidłową instalację, użytkowanie i konserwację.

Instrukcję należy przechowywać w dogodnym miejscu, aby zawsze można było znaleźć w niej informacje dotyczące bezpiecznego i prawidłowego korzystania z urządzenia.

W przypadku sprzedaży urządzenia, oddania, lub pozostawienia podczas przeprowadzki, upewnij się, że przekażesz tę instrukcję, aby nowy właściciel mógł zapoznać się z urządzeniem i zasadami bezpieczeństwa.

Legenda



Ostrzeżenie - Ważne informacje dotyczące bezpieczeństwa



Ogólne informacje i porady



Informacje o środowisku

Utylizacja



Pomóż chronić środowisko naturalne i zdrowie ludzkie. Wyrzuć opakowanie do stosownych pojemników do recyklingu. Pomóż recyklingować odpady z urządzeń elektrycznych i elektronicznych. Nie wyrzucaj urządzeń oznaczonych tym symbolem razem z odpadami domowymi. Oddaj produkt do miejscowego zakładu recyklingu lub skontaktuj się z urzędem miasta.

Drzwi i uszczelki należy usunąć przed utylizacją, aby dzieci nie zamknęły się w środku.



OSTRZEŻENIE!

Ryzyko obrażeń lub uduszenia!

Czynniki chłodnicze i gazy muszą być usuwane profesjonalnie. Przed utylizacją upewnij się, że przewody układu chłodniczego nie są uszkodzone. Wyciągnij wtyczkę z kontaktu. Odetnij przewód zasilający i wyrzuć go. Usuń półki i pojemnik na wodę oraz zamek drzwi i uszczelki, aby zapobiec zamknięciu się dzieci i zwierząt w urządzeniu.

1- Informacje dotyczące bezpieczeństwa.....	4
2- Przeznaczenie	7
3- Opis produktu	8
4- Panel kontrolny.....	9
5- Instalacja	10
6- Użytkowanie.....	13
7- Porady dotyczące oszczędzania energii	15
8 - Wyposażenie.....	16
9- Konserwacja i czyszczenie	17
10- Rozwiązywanie problemów.....	19
11- Dane techniczne	22
12- Obsługa klienta	23

Przed włączeniem urządzenia po raz pierwszy, przeczytaj poniższe wskazówki dotyczące bezpieczeństwa!



OSTRZEŻENIE!

Przed pierwszym użyciem

- ▶ Upewnij się, że nie ma uszkodzeń transportowych.
- ▶ Usuń wszystkie opakowania i trzymaj je poza zasięgiem dzieci.
- ▶ Jeśli Twoja chłodziarka do win została przechylona z jakiegokolwiek powodu, poczekaj 24 godziny przed jej podłączeniem do zasilania.
- ▶ Zawsze przenoś urządzenie z pomocą co najmniej dwóch osób, ponieważ jest ciężkie.

Instalacja

- ▶ Urządzenie powinno być umieszczone w dobrze wentylowanym miejscu. Zapewnij przestrzeń co najmniej 10cm wokół urządzenia. Jest ono przeznaczone wyłącznie do instalacji wolnostojącej, a nie do zabudowy.
- ▶ Nigdy nie należy umieszczać urządzenia w wilgotnym miejscu lub w miejscu, gdzie może być ochlapana wodą. Zetrzyj plamy i zachlapania do sucha miękką i czystą szmatką.
- ▶ Nie instaluj swojej chłodziarki do win w jakimkolwiek miejscu, które nie jest odpowiednio izolowane lub ogrzewane, np.: w garażu, itp. Twoja chłodziarka do win nie została zaprojektowana do pracy w temperaturze otoczenia poniżej 16°C.
- ▶ Nie instaluj urządzenia w miejscu narażonym na bezpośrednie działanie promieni słonecznych lub w pobliżu źródeł ciepła (np. pieców, grzejników).
- ▶ Zainstaluj i wypoziomuj urządzenie w miejscu odpowiednim dla jego wielkości i przeznaczenia.
- ▶ Nie blokuj otworów wentylacyjnych w urządzeniu ani w zabudowie.
- ▶ Upewnij się, że informacje elektryczne na tabliczce znamionowej są zgodne z zasilaniem. Jeśli tak nie jest, skontaktuj się z elektrykiem.
- ▶ Urządzenie jest zasilane prądem 220-240 V/50 Hz. Nienormalne wahania napięcia mogą spowodować niewłączenie się urządzenia lub uszkodzenie regulatora temperatury lub sprężarki, lub też nietypowy hałas podczas pracy. W takim przypadku powinien zostać zamontowany automatyczny regulator.
- ▶ Do zasilania urządzenia używaj oddzielnego, łatwo dostępnego i uziemionego gniazdka. Urządzenie musi być uziemione.
- ▶ **Tylko dla Wielkiej Brytanii:** Kabel zasilający urządzenie jest wyposażony we wtyczkę z 3 bolcami (z uziemieniem), która pasuje do standardowego gniazda z 3 przewodami (z uziemieniem). Nigdy nie odcinaj albo wyjmuj trzeciego bolca (uziemiającego). Po zainstalowaniu urządzenia, wtyczka powinna być dostępna.
- ▶ Nie używaj adapterów wtyczek i przedłużaczy.
- ▶ Upewnij się, że przewód zasilania nie jest przygnieciony przez chłodziarkę do win. Nie stawaj na przewodzie zasilającym.



OSTRZEŻENIE!

Codzienne używanie

- ▶ Urządzenie to może być używane przez dzieci w wieku lat 8 lub starsze, osoby z obniżoną sprawnością fizyczną, zmysłową lub umysłową, osoby z brakiem doświadczenia i wiedzy, jeśli są one nadzorowane lub gdy je poinstruowano jak korzystać z tego urządzenia w bezpieczny sposób, i gdy zdają sobie sprawę z istniejących niebezpieczeństw.
- ▶ Trzymaj z dala od urządzenia dzieci poniżej 3 roku życia, chyba że są pod stałym nadzorem.
- ▶ Dzieciom nie wolno używać urządzenia do zabawy.
- ▶ Jeśli chłodziwo lub inny łatwopalny gaz wycieka w pobliżu urządzenia, zamknij zawór wyciekającego gazu, otwórz drzwi i okna i nie odłączaj ani nie podłączaj kabla zasilającego chłodziarki do win ani też innego urządzenia.
- ▶ Zauważ, że urządzenie jest ustawione do działania w określonym zakresie temperatur pomiędzy 16 °C i 38 °C. Urządzenie może nie działać prawidłowo, jeśli jest używane przez dłuższy okres czasu w temperaturze powyżej lub poniżej podanego zakresu.
- ▶ Nie umieszczaj artykułów niestabilnych (ciężkich przedmiotów, pojemników z wodą) na górnej części chłodziarki do win, aby uniknąć obrażeń spowodowanych upadkiem lub porażenia prądem spowodowanego przez kontakt z wodą.
- ▶ Otwieraj i zamykaj drzwi, tylko używając uchwytów. Szczelina między drzwiami a chłodziarką jest bardzo wąska. Nie wkładaj tam rąk, aby uniknąć przycięcia palców. Otwieraj i zamykaj drzwi chłodziarki do win tylko wtedy, gdy nie ma dzieci stojących w obrębie ruchu drzwi.
- ▶ Nie przechowuj ani nie używaj materiałów łatwopalnych, wybuchowych lub żrących w urządzeniu lub w jego sąsiedztwie.
- ▶ Nie przechowuj w tym urządzeniu materiałów wybuchowych, takich jak puszki z aerozolem, który zawiera łatwopalny propelent.
- ▶ Nie przechowuj w urządzeniu leków, bakterii lub substancji chemicznych. To urządzenie jest urządzeniem gospodarstwa domowego. Nie zaleca się przechowywania materiałów, które wymagają ścisłej temperatury.
- ▶ W celu właściwego chłodzenia wina nie należy przeladowywać urządzenia.
- ▶ Nie uszkadzaj obiegu chłodzącego.
- ▶ Nie ustawiaj niepotrzebnie niskiej temperatury w chłodziarce do win.
- ▶ Odłącz urządzenie w przypadku przerwy w zasilaniu lub przed czyszczeniem. Pozostaw co najmniej 5 minut przed ponownym uruchomieniem urządzenia, jako że szybkie włączenie może doprowadzić do uszkodzenia sprężarki.

**OSTRZEŻENIE!****Codzienne używanie**

- ▶ Nie używaj urządzeń elektrycznych w komorze urządzenia, chyba, że są rekomendowane przez producenta.

Konserwacja/utrzymywanie w czystości

- ▶ Upewnij się, że dzieci są nadzorowane podczas czyszczenia i konserwacji urządzenia.
- ▶ Przed podjęciem jakichkolwiek rutynowych prac konserwacyjnych odłącz urządzenie od zasilania elektrycznego. Pozostaw co najmniej 5 minut przed ponownym uruchomieniem urządzenia, jako że szybkie włączenie może doprowadzić do uszkodzenia sprężarki.
- ▶ Podczas odłączania urządzenia trzymaj za wtyczkę, a nie za przewód.
- ▶ Jeśli kabel zasilania jest uszkodzony, musi on zostać wymieniony przez producenta, serwisanta lub inną wykwalifikowaną osobę w celu uniknięcia niebezpieczeństwa.
- ▶ Nie próbuj naprawiać, rozbierać lub modyfikować urządzenia samodzielnie. W przypadku naprawy, prosimy o kontakt z działem obsługi klienta.
- ▶ Usuń kurz z tyłu urządzenia co najmniej raz w roku, aby uniknąć zagrożenia ogniem, a także zwiększonego zużycia energii.
- ▶ Nie używaj aerozolu ani nie przepłukuj urządzenia podczas czyszczenia.
- ▶ Nie stosuj wody lub pary do czyszczenia urządzenia.
- ▶ Nie czyść zimnych, szklanych drzwi używając gorącej wody. Nagła zmiana temperatury może spowodować pęknięcie szkła.

Informacje o gazie chłodzącym**OSTRZEŻENIE!**

Urządzenie zawiera łatwopalny czynnik chłodniczy IZOBUTAN (R600a). Upewnij się, że układ chłodniczy nie został uszkodzony podczas transportu lub instalacji. Wyciek czynnika może spowodować uszkodzenie wzroku lub zapalenie. Jeśli wystąpiło uszkodzenie, trzymaj urządzenie z dala od otwartych źródeł ognia, dokładnie przewietrz pomieszczenie, **nie** podłączaj lub odłączaj kabli zasilających tego lub innego urządzenia. Poinformuj obsługę klienta.

W przypadku, gdy czynniki chłodnicze wejdzie w kontakt z oczami, natychmiast przepłucz je pod bieżącą wodą i zadzwoń do lekarza okulisty.

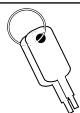
2.1 Przeznaczenie

To urządzenie przeznaczone jest wyłącznie do przechowywania wina. Zostało ono zaprojektowane do stosowania wyłącznie w suchych wnętrzach. Jest przeznaczone wyłącznie do użytku domowego. Nie jest ono przeznaczone do zastosowania komercyjnego.

Zmiany i modyfikacje urządzenia nie są dozwolone. Używanie niezgodne z przeznaczeniem może spowodować zagrożenia i utratę praw gwarancyjnych.

2.2 Akcesoria

Sprawdź akcesoria i literaturę zgodnie z tą listą (rys. 2.2):



2 kluczyki



Etykieta energetyczna



Karta gwarancyjna



Instrukcja użytkownika

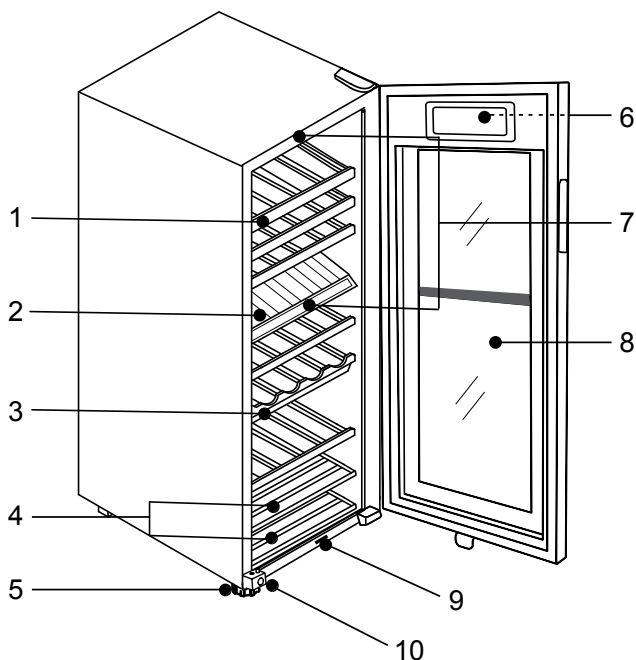
2.2

i Uwaga: Różnice

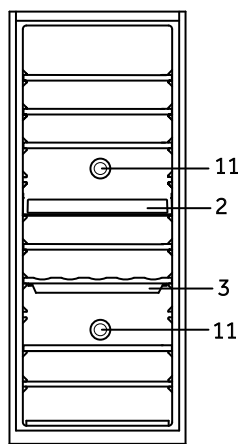
Z powodu zmian technicznych i różnych modeli, niektóre ilustracje w tej instrukcji mogą się różnić od Twojego modelu.

Rysunek urządzenia (rys. 3.1 i 3.2)

3.1



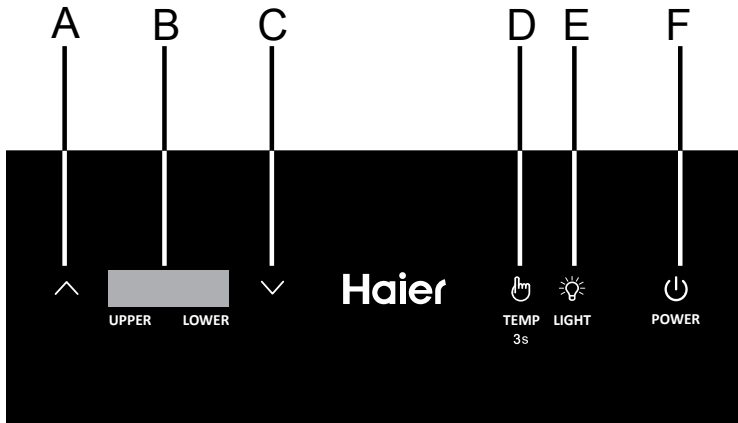
3.2



- 1 Półki wewnętrzne
- 2 Środkowa przegroda
- 3 Pojemnik do przechowywania wody
- 4 Krótsze półki
- 5 Regulowane stopki
- 6 Wyświetlacz (z przodu drzwi)
- 7 Lampa LED
- 8 Drzwi
- 9 Przełącznik światła i wentylatora
- 10 Zamek
- 11 Filtry węglowe/odświeżacz

Panel kontrolny (rys. 4)

4



- A Przycisk regulacji temperatury: w górę
- B Wyświetlacz temperatury
- C Przycisk regulacji temperatury: w dół
- D Przycisk ustawiania temperatury
- E Przycisk światła wewnętrznego i przełącznik °F/°C
- F Przycisk zasilania

5.1 Rozpakowanie

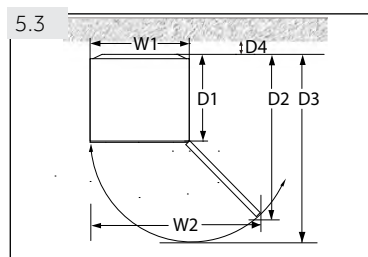


OSTRZEŻENIE!

- ▶ Urządzenie jest ciężkie. Zawsze przenoś urządzenie z pomocą co najmniej dwóch osób.
- ▶ Zachowaj wszystkie materiały opakowania poza zasięgiem dzieci i wyrzuć je w sposób przyjazny dla środowiska.
- ▶ Wymij urządzenie z opakowania.
- ▶ Usuń wszystkie części opakowania, piankową podstawę i taśmę klejącą przytrzymującą akcesoria.

5.2 Warunki środowiskowe

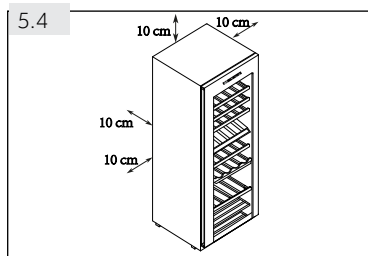
Temperatura w pomieszczeniu powinna być zawsze pomiędzy 16°C a 38°C, ponieważ może to mieć wpływ na temperaturę wewnątrz urządzenia oraz zużycie energii. Nie ustawiaj urządzenia w pobliżu innych urządzeń bez izolacji emitujących ciepło (piekarniki, lodówki).



5.3 Wymagane miejsce

Wymagane miejsce na otwarcie drzwi (rys. 5.3):

Szerokość w mm		Głębokość w mm			Odległość od ściany w mm
W1	W2	D1	D2	D3	D4
500	830	495	890	1015	100



5.4 Przestrzeń wentylacyjna

Ze względów bezpieczeństwa i ze względów energetycznych należy przestrzegać wymaganej odległości wentylacyjnej 10cm we wszystkich kierunkach (rys. 5.4).



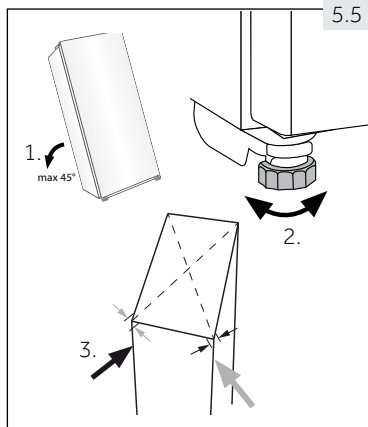
OSTRZEŻENIE!

- ▶ Nie blokuj otworów wentylacyjnych w urządzeniu ani w zabudowie.

5.5 Ustawianie urządzenia

Urządzenie powinno być umieszczone na płaskiej i stabilnej powierzchni.

1. Pochyl urządzenie lekko do tyłu (rys. 5.5).
2. Ustaw przednie stopki na żądanym poziomie, przekręcając je.
3. Stabilność można sprawdzić popychając na przemieszanie rogi urządzenia. Lekkie kołysanie powinno być takie same w obu kierunkach. W przeciwnym razie rama może się wykrzywić; wynikiem tego mogą być nieszczelne uszczelki drzwi. Niewielki przechył do tyłu pomaga zamykaniu drzwi.

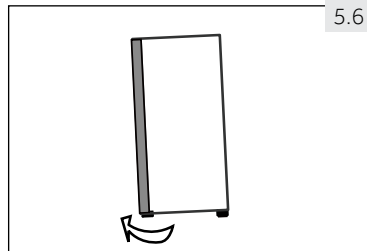


5.6 Regulacja drzwi

Urządzenie zamyka się lepiej, jeśli użyto stopek poziomujących z przodu:

Obróć stopkę zgodnie z kierunkiem strzałki (rys. 5.6), aby ją podnieść lub obniżyć:

- ▶ Przekręcenie stopki w prawo podnosi urządzenie.
- ▶ Przekręcenie stopki w lewo obniża urządzenie.



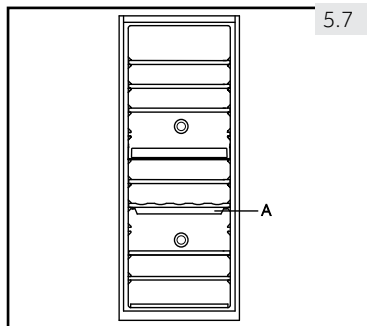
OSTRZEŻENIE!

- ▶ Nie podnoś urządzenia za klamki.
- ▶ Nigdy nie umieszczaj urządzenia poziomo na ziemi.
- ▶ Po przechyleniu urządzenia o więcej niż 45° odczekaj 24 godziny przed włożeniem wtyczki do gniazdka.

5.7 Napełnianie pojemnika na wodę

Do utrzymania wilgoci w chłodziarce do win, pojemnik na wodę powinien zawsze być napełniony (A na rys. 5.7). Proszę dolać wodę przed włączeniem chłodziarki do win. Woda powinna zawsze zakrywać dno pojemnika gdy chłodziarka do win jest w użyciu.

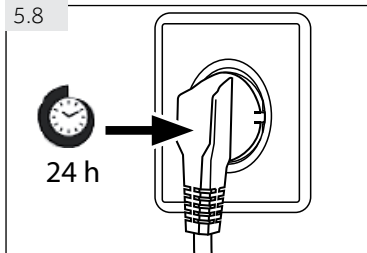
1. Wyjmij pojemnik na wodę.
2. Dolej wody. Powinna ona wypełniać około 2/3 pojemnika.
3. Umieścić pojemnik na wodę z powrotem, pod drugą półką dolnej komory.



OSTRZEŻENIE!

- ▶ Przed przemieszczeniem chłodziarki do win wyjmij pojemnik na wodę, aby uniknąć rozlania.

5.8



5.8 Czas oczekiwania

W kapsułce sprężarki znajduje się olej do bezobsługowej konserwacji. Olej ten może przedostać się poprzez zamknięty system rur podczas transportu przechylnego urządzenia. Przed podłączeniem urządzenia do zasilania trzeba odczekać 24 godziny (rys. 5.8), aby olej spłynął z powrotem do zbiornika.

5.9 Podłączenie zasilania

Przed każdym podłączeniem sprawdź, czy:

- ▶ zasilanie, gniazdko elektryczne i bezpieczniki odpowiadają informacji na tabliczce znamionowej.
- ▶ gniazdko jest uziemione i nie zastosowano rozgałęźnika lub przedłużacza.
- ▶ wtyczka i gniazdko są ściśle dopasowane.

Podłącz urządzenie wyłącznie do właściwie zamontowanych i uziemionych gniazdek elektrycznych.



OSTRZEŻENIE!

Aby uniknąć ryzyka, uszkodzony przewód zasilający musi być wymieniony przez serwis (patrz: karta gwarancyjna).

6.1 Przed pierwszym użyciem

- ▶ Usunąć wszystkie materiały opakowania. Obejmuje to podstawę styropianową oraz taśmę klejącą, utrzymującą na miejscu części znajdujące się na zewnątrz i wewnątrz chłodziarki do win. Trzymaj je poza zasięgiem dzieci i wyrzucić je w sposób przyjazny dla środowiska.
- ▶ Wyczyścić wnętrze i obudowę urządzenia wodą z dodatkiem łagodnego detergentu.
- ▶ Po wypoziomowaniu i oczyszczeniu urządzenia, odczekaj co najmniej 2 godziny przed podłączeniem go do zasilania. Jeśli Twoja chłodziarka do win została przechylona z jakiegokolwiek powodu, odczekaj 24 godziny przed jej podłączeniem do zasilania. Patrz: rozdział INSTALACJA.
- ▶ Po podłączeniu urządzenia do gniazda elektrycznego i przed przystąpieniem do jakichkolwiek zmian należy pozostawić urządzenie samemu sobie przez co najmniej 30 minut w celu jego aklimatyzacji.
- ▶ Temperatura jest automatycznie ustawiona na 12°C dla obu komór. W razie potrzeby temperaturę można zmienić manualnie. Patrz: TEMPERATURA.

6.2 Przyciski dotykowe

Przyciski na panelu sterowania są klawiszami dotykowymi, które reagują na delikatne dotknięcie palcem.

6.3 Włączanie/wyłączanie urządzenia

Aby włączyć urządzenie, naciśnij przycisk zasilania (E) na trzy sekundy. Aby je wyłączyć, naciśnij ponownie przycisk zasilania.



OSTRZEŻENIE!

- ▶ W celu przedłużenia żywotności urządzenia należy unikać jej wyłączania.
- ▶ Odczekaj co najmniej 5 minut, aby ponownie podłączyć zasilanie po jego odłączeniu.

Kiedy urządzenie zostanie włączone po raz pierwszy, wyświetli się aktualna temperatura w komorze (B).



Uwaga: Ustawienie pre definiowane

- ▶ Po podłączeniu urządzenia do gniazda elektrycznego i przed przystąpieniem do jakichkolwiek zmian należy pozostawić urządzenie samemu sobie przez co najmniej 30 minut w celu jego aklimatyzacji.
- ▶ Gdy urządzenie jest włączone, po odłączeniu od zasilania głównego, osiągnięcie poprawnej temperatury może potrwać kilka godzin. Dokładny czas zależy od otoczenia i ustawień temperatury.



Uwaga: Pamięć funkcji podczas awarii zasilania

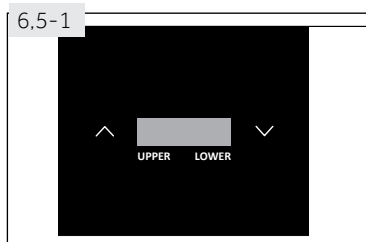
Po przywróceniu zasilania urządzenie korzysta z ustawień sprzed awarii zasilania.

6.4 Tryb czuwania





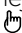
Ekran wyświetlacza wygasza się automatycznie 35 sekund po ostatnim naciśnięciu przycisku. Zapala się on automatycznie po dotknięciu dowolnego klawisza lub otwarciu drzwi.

6.5 Temperatura


Temperatura chłodziarki do win jest ustawiona fabrycznie na 12°C. Można ją zmienić do dowolnej temperatury pomiędzy 5°C i 20°C, indywidualnie dla poszczególnych komór.



6.5.1 Ustawianie temperatury (rys. 6.5-1)

1. Przytrzymaj przycisk  przez około 3 sekundy. Temperatura górnej komory zacznie migać na wyświetlaczu.
2. Naciśnij przycisk  lub , aby zwiększyć lub zmniejszyć temperaturę. Po osiągnięciu żądanej temperatury, naciśnij przycisk .
3. Temperatura dla górnej komory została ustawiona, zacznie teraz migać temperatura dolnej komory.
4. Powtórz krok 2, aby ustawić temperaturę w dolnej komorze. Zamiast pod koniec naciskać przycisk , można poczekać 5 sekund bez dotykania ekranu.
5. Gdy wyświetlacz przestanie migać, powraca on do wskazywania aktualnej temperatury wewnątrz chłodziarki do win. Potrzeba trochę czasu, zanim ustawiona temperatura zostanie osiągnięta.

6.5.2 Przelącznie między stopniami Celsjusza i Fahrenheita

Aby zmienić wyświetlaną jednostkę miary, naciśnij przycisk  na około 3 sekundy. Wyświetlana temperatura przełączy się z Celsjusza na Fahrenheita i z powrotem.

6.5.3 Funkcja kompensacji niskich temperatur

Chłodziarka do win posiada funkcję kompensacji niskich temperatur w celu zapewnienia stabilności temperatury: Gdy temperatura otoczenia jest niższa niż ustalona temperatura, chłodziarka do win automatycznie uruchomi funkcję kompensacji niskich temperatur, podgrzewając się. Gdy temperatura w urządzeniu osiągnie ustaloną temperaturę, funkcja kompensacji niskich temperatur zostanie automatycznie wyłączona.

Uwaga: Wpływ na temperaturę

Następujące czynniki mają wpływ na temperaturę w urządzeniu:

- ▶ Temperatura otoczenia
- ▶ Częstotliwość otwierania drzwi
- ▶ Ilość przechowywanych butelek
- ▶ Instalacja urządzenia

6.5.4 Zalecane ustawienia temperatury dla wina

W przypadku różnych rodzajów wina zalecane są następujące temperatury ich picia.

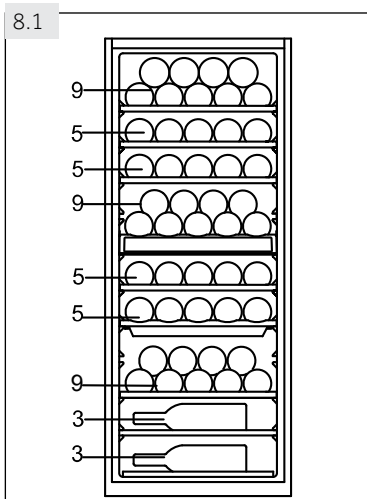
Wino czerwone	+14°C do +20°C.	Wino musujące, Prosecco	+7°C do +9°C.
Wino różowe	+10°C do +12°C.	Szampan	+5°C do +7°C.
Wino białe	+8°C do +12°C.		

W przypadku długiego przechowywania wina należy przechowywać go w temperaturze od +10°C do +12°C.



Porady dotyczące oszczędzania energii

- ▶ Upewnij się, że urządzenie jest odpowiednio wentylowane (patrz: INSTALACJA).
- ▶ Nie instaluj urządzenia w miejscu narażonym na bezpośrednie działanie promieni słonecznych lub w pobliżu źródeł ciepła (np. pieców, grzejników).
- ▶ Nie ustawiaj niepotrzebnie niskiej temperatury w urządzeniu. Zużycie energii jest większe, gdy ustawiona jest niższa temperatura.
- ▶ Kiedy wkładasz do lodówki jedzenie i napoje, otwieraj drzwi na jak najkrócej.
- ▶ Nie przekraczaj określonej ilości butelek, aby nie doprowadzić do utrudniania przepływu powietrza.
- ▶ Utrzymuj uszczelki drzwiowe w czystości, aby drzwi zawsze zamykały się dobrze.

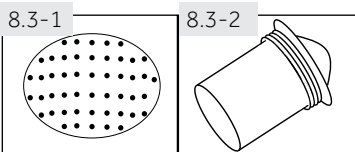


8.1 Półki

1. Półki zostały zaprojektowane do łatwego przechowywania i łatwego wyciągania wina. Mogą być czyszczone miękkim ręcznikiem.
2. Można na nich układać normalne butelki o średnicy 78mm (rys. 8.1).
3. Butelki magnum można układać na dolnej półce.
4. Ilość może się różnić od przedstawionej liczby butelek, jeśli są one ułożone w inny sposób.

8.2 Oświetlenie

Dioda wewnątrz urządzenia zapala się po otwarciu drzwi. Aby włączyć światło, gdy drzwi są zamknięte, dotknij przycisk . Aby je wyłączyć, naciśnij przycisk ponownie. Aby zwiększyć efektywność energetyczną, światło należy wyłączyć, gdy nie zaglądasz do chłodziarki do win.



8.3 Odświeżacz

Otwory odświeżacza (rys. 8.3-1) z tyłu urządzenia pomagają usunąć nieświeże, niepożądane zapachy przez filtr węglowy (rys. 8.3-2).

8.4 Zamek

Aby zamknąć chłodziarkę do win, zamknij drzwi i włóż kluczyk do zamka:

- ▶ Zamknij drzwi obracając kluczyk w lewo;
- ▶ Otwórz drzwi obracając kluczyk w prawo;



OSTRZEŻENIE!

Klucze należy trzymać w miejscu niedostępnym dla dzieci, a nie w pobliżu urządzenia, aby uniemożliwić dzieciom zamknięcie się w nim.

8.5 Pojemnik na wodę

W pojemniku zawsze powinna znajdować się w celu utrzymania wilgotności wewnątrz chłodziarki do win. Woda powinna zakrywać dno pojemnika, gdy chłodziarka do win jest w użyciu.

Patrz: INSTALACJA.

**OSTRZEŻENIE!**

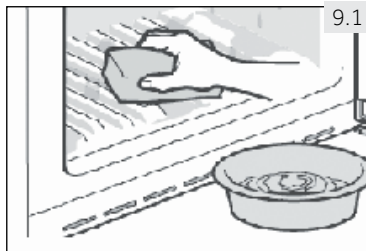
Przed czyszczeniem odłącz urządzenie od sieci.

9.1 Informacje ogólne

Czyść urządzenie, gdy jest w nim niewiele wina lub jest puste. Czyszczenie konieczne jest tylko wtedy, gdy jest zabrudzone.

**OSTRZEŻENIE!**

- ▶ Nie czyść urządzenia za pomocą twardych szczotek, szczotek drucianych, detergentów proszkowych, benzyny, octanu amylu, acetonu i podobnych roztworów organicznych, kwasu lub roztworów alkalicznych. Proszę czyścić specjalnym detergentem do lodówek, aby uniknąć uszkodzenia.
 - ▶ Nie używaj aerozolu ani nie przepłukuj urządzenia podczas czyszczenia.
 - ▶ Nie stosuj wody lub pary do czyszczenia urządzenia.
 - ▶ Nie czyść zimnych, szklanych drzwi używając gorącej wody. Nagła zmiana temperatury może spowodować pęknięcie szkła.
- ▶ Czyść wnętrze i obudowę urządzenia gąbką zwilżoną ciepłą wodą i neutralnym detergentem (rys. 9.1).
 - ▶ Można użyć roztworu czyszczącego - 3 do 4 łyżki sody oczyszczonej zmieszanej z ciepłą wodą.
 - ▶ Splucz czystą, ciepłą wodą i wysusz miękką szmatką.
 - ▶ Nie czyść żadnej z części urządzenia w zmywarce.
 - ▶ Odczekaj co najmniej 5 minut przed ponownym uruchomieniem urządzenia, jako że szybkie włączenie może doprowadzić do uszkodzenia sprężarki.
 - ▶ Uszczelki drzwi należy czyścić co trzy miesiące, aby zapewnić właściwe uszczelnienie.

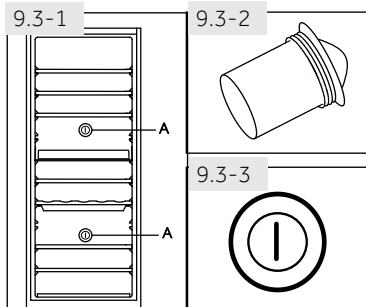
**9.2 Czyszczenie półek**

Wszystkie półki można wyjąć do czyszczenia.

1. Wyjmij wszystkie butelki.
2. Podnieś nieco każdą półkę.
3. Wyjmij półkę.
4. Wyczyść półkę miękką ściereczką.
5. Przed włożeniem poczekaj, aż półki wyschną.

**OSTRZEŻENIE!**

Odczekaj co najmniej 5 minut, aby ponownie podłączyć zasilanie po jego odłączeniu.



9.3 Wymiana odświeżacza

Filtr węglowy powinien być wymieniany co 3 do 5 lat.

1. Chwyć filtr węglowy (A) za uchwyt (rys. 9.3-1).
2. Przekręć go w lewo i wyjmij.
3. Włóż nowy filtr (rys. 9.3-2) uchwytem w pozycji pionowej (rys. 9.3-3).
4. Przekręć go w prawo, aż zablokuje się na swoim miejscu.

9.4 Rozmrażanie

Rozmrażanie chłodziarki do win wykonywane jest automatycznie; nie trzeba nic robić.

9.5 Wymiana lampy LED

Lampa wykorzystuje LED jako źródło światła i charakteryzuje się niskim zużyciem energii i długą żywotnością. W przypadku jakichkolwiek nieprawidłowości, należy skontaktować się z obsługą klienta. Patrz: OBSŁUGA KLIENTA.



OSTRZEŻENIE!

Nie wymieniaj samodzielnie lampy LED. Musi zostać wymieniona albo przez producenta, albo przez autoryzowanego serwisanta.

Parametry lampy LED:

Napięcie 12V; Maksymalna moc: 0,72W

9.6 Nieużytkowanie przez dłuższy okres

- ▶ Odłącz urządzenie od zasilania.
- ▶ Wyczyść urządzenie i uszczelki drzwi, jak to opisano powyżej.
- ▶ Otwórz drzwi, aby zapobiec tworzeniu się wewnątrz nieprzyjemnych zapachów.

9.7 Przenoszenie urządzenia

1. Wyjmij wszystkie butelki i wyjmij wtyczkę z gniazdka.
2. Zabezpiecz taśmą klejącą półki i inne części ruchome w chłodziarce do win.
3. Wyjmij pojemnik na wodę, aby uniknąć rozlania.
4. Nie przechylaj chłodziarki do win więcej niż o 45°, aby uniknąć uszkodzenia układu chłodniczego.



OSTRZEŻENIE!

- ▶ Nie podnoś urządzenia za klamki.
- ▶ Nigdy nie umieszczaj urządzenia poziomo na ziemi.
- ▶ Po przeniesieniu urządzenia odczekaj 24 godziny przed włożeniem wtyczki do gniazdka.

Możesz rozwiązać wiele pojawiających się problemów bez specjalistycznej wiedzy. W przypadku problemu prosimy sprawdzić wszystkie przedstawione możliwości i postępować zgodnie z poniższymi instrukcjami przed skontaktowaniem się z obsługą posprzedażną. Patrz: OBSŁUGA KLIENTA.



OSTRZEŻENIE!

- ▶ Przed przystąpieniem do konserwacji, wyłącz urządzenie i wyjmij wtyczkę z gniazdka sieciowego.
- ▶ Urządzenia elektryczne powinny być serwisowane tylko przez wykwalifikowanych ekspertów elektrycznych, ponieważ niewłaściwe naprawy mogą spowodować znaczne szkody.
- ▶ Jeśli kabel zasilania jest uszkodzony, musi on zostać wymieniony przez producenta, serwisanta lub inną wykwalifikowaną osobę w celu uniknięcia niebezpieczeństwa.

10.1 Rozwiązywanie problemów, gdy wyświetlany jest kod



Ważne: Rozwiązywanie problemów

- ▶ Jeśli pojawi się informacja o błędzie, naciśnij przycisk zasilania, aby ją skasować. Jeśli nadal się pojawia, wyciągnij wtyczkę z kontaktu i skontaktuj się z obsługą klienta.
- ▶ Jeśli wystąpi konieczność skontaktowania się z działem obsługi klienta: Zanonuj komunikat o problemie i odnieś się do „OBSŁUGI KLIENTA”.

Kod błędów	Przyczyna	Rozwiązanie
E1	Zwarcie lub uszkodzony obwód czujnika niskiej temperatury.	Skontaktuj się z serwisem posprzedażnym, aby wymienić czujnik.
F4	Zwarcie lub uszkodzony obwód czujnika w górnej komorze.	
F5	Zwarcie lub uszkodzony obwód czujnika w dolnej komorze.	
H1	Urządzenie ostrzega o wysokiej temperaturze, gdy temperatura komory górnej przekracza 25°C przez 3 godziny.	Temperatura otoczenia jest zbyt wysoka. Temperatura otoczenia powinna wynosić od 16°C do 38°C.
H2	Urządzenie ostrzega o wysokiej temperaturze, gdy temperatura komory dolnej przekracza 25°C przez 3 godziny.	
L1	Sprężarka przestaje działać, gdy temperatura górnej komory jest niższa niż 0°C. Ostrzeżenie o niskiej temperaturze pojawia się, gdy temperatura jest niższa niż 0°C przez 2 godziny.	Temperatura otoczenia jest zbyt niska. Temperatura otoczenia powinna wynosić od 16°C do 38°C.
L2	Sprężarka przestaje działać, gdy temperatura dolnej komory jest niższa niż 0°C. Ostrzeżenie o niskiej temperaturze pojawia się, gdy temperatura jest niższa niż 0°C przez 2 godziny.	

10.2 Rozwiązywanie problemów bez wyświetlonego kodu

Problem	Możliwa przyczyna	Możliwe rozwiązanie
Sprężarka nie działa.	<ul style="list-style-type: none"> Wtyczka nie jest włożona do gniazdka. 	<ul style="list-style-type: none"> Podłącz wtyczkę sieciową.
Urządzenie działa często lub przez zbyt długi okres czasu.	<ul style="list-style-type: none"> Temperatura wewnątrz lub na zewnątrz jest zbyt wysoka. Urządzenie było odłączone od zasilania przez jakiś okres czasu. Drzwi urządzenia nie są szczelnie zamknięte. Drzwi były otwierane zbyt często lub na zbyt długo. Uszczelki drzwi są brudne, zużyte, pęknięte lub niedopasowane. Wymagany przepływ powietrza nie jest gwarantowany. Temperatura jest zbyt niska. 	<ul style="list-style-type: none"> W tym przypadku, to normalne, że urządzenie będzie pracować dłużej. Zwykle trochę to trwa zanim urządzenie całkowicie ostygnie. Zamknij drzwi i upewnij się, że urządzenie znajduje się na płaskiej powierzchni, ani że jedzenie lub szuflady nie blokują drzwi. Nie należy za często otwierać drzwi. Wyczyść uszczelki drzwi lub wymień je z pomocą serwisu obsługi klienta. Zapewnić odpowiednią wentylację. Problem rozwiąże się sam po osiągnięciu żądanej temperatury.
Wnętrze chłodziarki do win jest brudne i/lub nieprzyjemnie pachnie.	<ul style="list-style-type: none"> Wnętrze chłodziarki do win wymaga czyszczenia. 	<ul style="list-style-type: none"> Wyczyść wnętrze chłodziarki do win.
Wewnątrz urządzenia nie jest wystarczająco zimno.	<ul style="list-style-type: none"> Temperatura jest zbyt wysoka. Ostatnio dodano butelki. Drzwi urządzenia nie są szczelnie zamknięte. Drzwi były otwierane zbyt często lub na zbyt długo. Uszczelki drzwi są brudne, zużyte, pęknięte lub niedopasowane. 	<ul style="list-style-type: none"> Ponownie ustaw temperaturę. Odczekaj, aż niedawno dodane butelki osiągną żądaną temperaturę. Zamknij drzwi. Nie należy za często otwierać drzwi. Wyczyść uszczelki drzwi lub wymień je z pomocą serwisu obsługi klienta.
Wewnątrz urządzenia jest zbyt zimno.	<ul style="list-style-type: none"> Temperatura jest zbyt niska. 	<ul style="list-style-type: none"> Ponownie ustaw temperaturę.
Powstawanie wilgoci na wewnętrznych ściankach komory chłodziarki do win.	<ul style="list-style-type: none"> Klimat jest zbyt ciepły i zbyt wilgotny. Drzwi urządzenia nie są szczelnie zamknięte. Drzwi były otwierane zbyt często lub na zbyt długo. 	<ul style="list-style-type: none"> Zwiększ temperaturę. Zamknij drzwi. Nie należy za często otwierać drzwi.

Problem	Możliwa przyczyna	Możliwe rozwiązanie
Wilgotność gromadzi się na zewnątrz powierzchni chłodzarki do win	<ul style="list-style-type: none"> Klimat jest zbyt ciepły i zbyt wilgotny. Drzwi nie są szczelnie zamknięte. Skrapla się zimne powietrze wewnątrz urządzenia, a ciepłe powietrze na zewnątrz. 	<ul style="list-style-type: none"> Jest to normalne zjawisko w wilgotnym klimacie i zmieni się, gdy wilgotność spadnie. Upewnij się, że drzwi są szczelnie zamykane, a uszczelki uszczelniają prawidłowo.
Urządzenie wydaje dziwne dźwięki.	<ul style="list-style-type: none"> Urządzenie nie znajduje się na wypoziomowanym podłożu. Urządzenie dotyka jakiegoś obiektu. 	<ul style="list-style-type: none"> Wyreguluj nóżki, aby wypoziomować urządzenie. Usuń przedmioty znajdujące się w pobliżu urządzenia.
Słychać delikatny szum podobny do płynącej wody.	<ul style="list-style-type: none"> To jest normalne. 	<ul style="list-style-type: none"> -
System oświetlenia lub chłodzenie wnętrza nie działa.	<ul style="list-style-type: none"> Wtyczka nie jest włożona do gniazdka. Wystąpił problem z zasilaniem. Lampa LED nie działa. 	<ul style="list-style-type: none"> Podłącz wtyczkę sieciową. Sprawdź zasilanie elektryczne w pomieszczeniu. Skontaktuj się z lokalnym dostawcą energii elektrycznej! Proszę wezwać serwis do wymiany lampy.
Boki chłodzarki i listwa drzwiowa rozgrzewają się.	<ul style="list-style-type: none"> To jest normalne. 	<ul style="list-style-type: none"> -
Drzwi nie są prawidłowo zamknięte,	<ul style="list-style-type: none"> Urządzenie nie jest wypoziomowane. Drzwi są zablokowane. 	<ul style="list-style-type: none"> Wypoziomuj urządzenie za pomocą stopek poziomujących. Sprawdź, czy butelki lub półki ich nie blokują.

11.1 Karta produktu, zgodnie z Zarządzeniem UE Nr 1060/2010

Znak towarowy	Haier
Identyfikator modelu	WS53GDA
Kategoria modelu	Chłodziarka do win
Kategoria chłodzenia domowego	2
Klasa efektywności energetycznej	A
Roczne zużycie energii (kWh/rok) ¹⁾	135
Objętość komory chłodzenia (l)	-
- komory do przechowywania wina	172
Objętość komory zamrażania (l)	-
Klasyfikacja gwiazdkowa	-
Najniższa temperatura przechowywania wina	5°C
System bezszronowy	-
Klasa klimatyczna: To urządzenie jest przeznaczone do stosowania w temperaturze otoczenia od 16°C do 38°C.	Umiarkowany
Poziom emitowanego hałasu (db(A) re 1pW)	40
Rodzaj konstrukcji	Wolnostojąca
To urządzenie przeznaczone jest wyłącznie do przechowywania wina.	Tak

¹⁾w oparciu o wyniki standardowych testów w ciągu 24 godzin. Rzeczywiste zużycie energii zależy od tego, jak urządzenie jest używane i gdzie się znajduje.

11.2 Dodatkowe dane techniczne

Pojemność netto (l)	172
Napięcie / Częstotliwość	220-240 V~/50 Hz
Moc wejściowa (W)	70
Prąd wejściowy (A)	0,5
Główny bezpiecznik (A)	0,4
Płyn Chłodniczy	R600a
Wymiary (wys./szer./gł. w mm)	560/500/1270

11.3 Normy i dyrektywy



Produkt ten spełnia wymagania wszystkich obowiązujących dyrektyw UE z odpowiednimi normami zharmonizowanymi, które przewidują oznakowanie CE.

Polecamy nasz system Obsługi Klienta Haier i stosowanie oryginalnych części zamiennych.

Jeśli masz problem z urządzeniem, najpierw sprawdź sekcję ROZWIĄZYWANIE PROBLEMÓW.

Jeżeli nie możesz znaleźć rozwiązania, prosimy o kontakt

- ▶ z twoim lokalnym sprzedawcą lub
- ▶ miejscowym Serwisem na www.haier.com, gdzie można znaleźć numery telefonów i FAQ, oraz gdzie można aktywować roszczenia serwisowe.

Aby skontaktować się z naszym działem obsługi, upewnij się, że masz następujące dane. Informacje można znaleźć na tabliczce znamionowej.

Model _____ Nr seryjny _____

Sprawdź także również kartę gwarancyjną dostarczoną z produktem w przypadku posiadania gwarancji.

Dla ogólnych zapytań biznesowych w Europie, skorzystaj z danych kontaktowych podanych poniżej:

Europejskie adresy Haier			
Kraj *	Adres pocztowy	Kraj *	Adres pocztowy
Włochy	Haier Europe Trading SRL Via De Cristoforis, 12 21100 Verese WŁOCHY	Francja	Haier France SAS 3-5 rue des Graviers 92200 Neuilly sur Seine FRANCJA
Hiszpania Portugalia	Haier Iberia SL Pg. Garcia Faria, 49-51 08019 Barcelona HISZPANIA	Belgia-FR Belgia-NL Holandia Luksemburg	Haier Benelux SA Anderlecht Route de Lennik 451 BELGIA
Niemcy Austria	Haier Deutschland GmbH Hewlett-Packard-Str. 4 D-61352 Bad Homburg NIEMCY	Polska Czechy Węgry Grecja Rumunia Rosja	Haier Poland Sp. z o.o. Al. Jerozolimskie 181B 02-222 Warszawa POLSKA
Wielka Brytania	Haier Appliances UK Co.Ltd. One Crown Square Church Street East Woking, Surrey, GU21 6HR UK		

* Więcej informacji na stronie www.haier.com

WS53GDA_PL_V07_110617

Haier