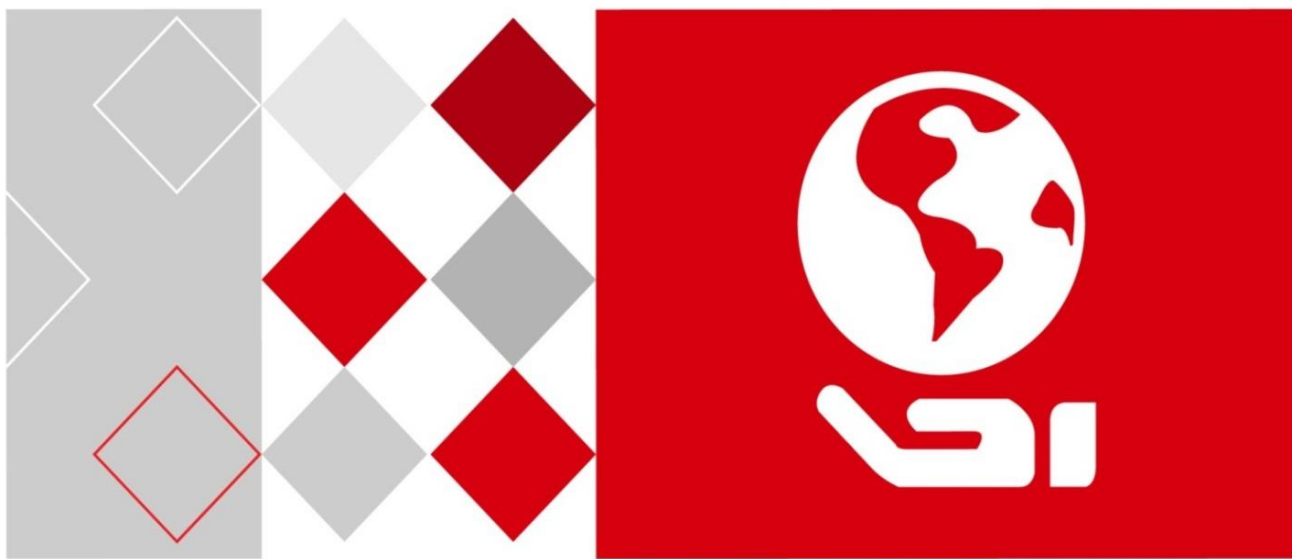


HIKVISION



DS-3E2300P Series Ethernet Switch

User Manual

UD03706B

User Manual

COPYRIGHT ©2017 Hangzhou Hikvision Digital Technology Co., Ltd.

ALL RIGHTS RESERVED.

Any and all information, including, among others, wordings, pictures, graphs are the properties of Hangzhou Hikvision Digital Technology Co., Ltd. or its subsidiaries (hereinafter referred to be “Hikvision”). This user manual (hereinafter referred to be “the Manual”) cannot be reproduced, changed, translated, or distributed, partially or wholly, by any means, without the prior written permission of Hikvision. Unless otherwise stipulated, Hikvision does not make any warranties, guarantees or representations, express or implied, regarding to the Manual.

About this Manual

This Manual is applicable to DS-C10S-SXXT Series Video Wall Controller.

The Manual includes instructions for using and managing the product. Pictures, charts, images and all other information hereinafter are for description and explanation only. The information contained in the Manual is subject to change, without notice, due to firmware updates or other reasons. Please find the latest version in the company website (<http://overseas.hikvision.com/en/>).

Please use this user manual under the guidance of professionals.

Trademarks Acknowledgement

HIKVISION and other Hikvision’s trademarks and logos are the properties of Hikvision in various jurisdictions. Other trademarks and logos mentioned below are the properties of their respective owners.

Legal Disclaimer

TO THE MAXIMUM EXTENT PERMITTED BY APPLICABLE LAW, THE PRODUCT DESCRIBED, WITH ITS HARDWARE, SOFTWARE AND FIRMWARE, IS PROVIDED “AS IS”, WITH ALL FAULTS AND ERRORS, AND HIKVISION MAKES NO WARRANTIES, EXPRESS OR IMPLIED, INCLUDING WITHOUT LIMITATION, MERCHANTABILITY, SATISFACTORY QUALITY, FITNESS FOR A PARTICULAR PURPOSE, AND NON-INFRINGEMENT OF THIRD PARTY. IN NO EVENT WILL HIKVISION, ITS DIRECTORS, OFFICERS, EMPLOYEES, OR AGENTS BE LIABLE TO YOU FOR ANY SPECIAL, CONSEQUENTIAL, INCIDENTAL, OR INDIRECT DAMAGES, INCLUDING, AMONG OTHERS, DAMAGES FOR LOSS OF BUSINESS PROFITS, BUSINESS INTERRUPTION, OR LOSS OF DATA OR DOCUMENTATION, IN CONNECTION WITH THE USE OF THIS PRODUCT, EVEN IF HIKVISION HAS BEEN ADVISED OF THE POSSIBILITY OF SUCH DAMAGES.

REGARDING TO THE PRODUCT WITH INTERNET ACCESS, THE USE OF PRODUCT SHALL BE WHOLLY AT YOUR OWN RISKS. HIKVISION SHALL NOT TAKE ANY RESPONSIBILITIES FOR ABNORMAL OPERATION, PRIVACY LEAKAGE OR OTHER DAMAGES RESULTING FROM CYBER ATTACK, HACKER ATTACK, VIRUS INSPECTION, OR OTHER INTERNET SECURITY RISKS; HOWEVER, HIKVISION WILL PROVIDE TIMELY TECHNICAL SUPPORT IF REQUIRED.

SURVEILLANCE LAWS VARY BY JURISDICTION. PLEASE CHECK ALL RELEVANT LAWS IN YOUR JURISDICTION BEFORE USING THIS PRODUCT IN ORDER TO ENSURE THAT YOUR USE CONFORMS THE APPLICABLE LAW. HIKVISION SHALL NOT BE LIABLE IN THE EVENT THAT THIS PRODUCT IS USED WITH ILLEGITIMATE PURPOSES.

IN THE EVENT OF ANY CONFLICTS BETWEEN THIS MANUAL AND THE APPLICABLE LAW, THE LATER PREVAILS.

Regulatory Information

FCC Information

Please take attention that changes or modification not expressly approved by the party responsible for compliance could void the user's authority to operate the equipment.


FCC compliance: This equipment has been tested and found to comply with the limits for a Class A digital device, pursuant to part 15 of the FCC Rules. These limits are designed to provide reasonable protection against harmful interference when the equipment is operated in a commercial environment. This equipment generates, uses, and can radiate radio frequency energy and, if not installed and used in accordance with the instruction manual, may cause harmful interference to radio communications. Operation of this equipment in a residential area is likely to cause harmful interference in which case the user will be required to correct the interference at his own expense.

FCC Conditions

This device complies with part 15 of the FCC Rules. Operation is subject to the following two conditions:

1. This device may not cause harmful interference.
2. This device must accept any interference received, including interference that may cause undesired operation.

EU Conformity Statement

 This product and - if applicable - the supplied accessories too are marked with "CE" and comply therefore with the applicable harmonized European standards listed under the EMC Directive 2014/30/EU, the LVD Directive 2014/35/EU, the RoHS Directive 2011/65/EU.



2012/19/EU (WEEE directive): Products marked with this symbol cannot be disposed of as unsorted municipal waste in the European Union. For proper recycling, return this product to your local supplier upon the purchase of equivalent new equipment, or dispose of it at designated collection points. For more information see: www.recyclethis.info



2006/66/EC (battery directive): This product contains a battery that cannot be disposed of as unsorted municipal waste in the European Union. See the product documentation for specific battery information. The battery is marked with this symbol, which may include lettering to indicate cadmium (Cd), lead (Pb), or mercury (Hg). For proper recycling,

return the battery to your supplier or to a designated collection point. For more information see: www.recyclethis.info

Industry Canada ICES-003 Compliance

This device meets the CAN ICES-3 (A)/NMB-3(A) standards requirements.

Preparing for installation

The DS-3E2300P Series Ethernet Switch includes the following models:

Model	Name
DS-3E2310P	Ethernet Switch
DS-3E2318P	
DS-3E2326P	

Symbol Conventions

The symbols that may be found in this document are defined as follows.




Symbol	Description
 NOTE	Provides additional information to emphasize or supplement important points of the main text.
 WARNING	Indicates a potentially hazardous situation, which if not avoided, could result in equipment damage, data loss, performance degradation, or unexpected results.
 DANGER	Indicates a hazard with a high level of risk, which if not avoided, will result in death or serious injury.

Table of Contents

Chapter 1 Overview	1
1.1 Standard Configuration	1
1.2 Panel and Interfaces	1
Chapter 2 Installation Preparation.....	4
2.1 Cautions.....	4
2.2 Safety Instructions.....	4
2.2.1 Safety Principles.....	4
2.2.2 Safety Notices.....	4
2.2.3 Safety Principles for Live Working.....	5
2.2.4 Electrostatic Discharge Damage Prevention.....	5
2.3 Requirements for Common Locations	6
2.3.1 Environment.....	6
2.3.2 Location Configuration Prevention	6
2.3.3 Cabinet Configuration	6
2.3.4 Power Requirements	6
2.4 Installation Tools and Device	7
Chapter 3 Installing the DS-3E2300P Switch.....	8
3.1 Installation Procedures of DS-3E2300P	8
3.2 Installing the Chassis of DS-3E2300P	8
3.2.1 Installing the Chassis on the Desk	8
3.2.2 Installing the Chassis on the Cabinet.....	9
3.3 Connecting the Port	9
3.3.1 Connecting the Console Port	9
3.3.2 Connecting the SFP Ports	11
3.3.3 Connecting 100M Ethernet Base-T Ports.....	11
3.4 Checkup after Installation.....	13
Chapter 4 Maintenance	14
4.1 Opening the Chassis	14
4.2 Closing the Chassis	15
Chapter 5 Hardware Fault Analysis	16
5.1 Fault Separation.....	16
5.1.1 Faults Relative with Power and Cooling System.....	16
5.1.2 Faults Relative with Port, Cable and Connection.....	16
5.2 LED Description	16

Chapter 6 Specifications18

Chapter 1 Overview

The document describes the characteristics and parameters of DS-3E2300P and gives an overview of DS-3E2300P.

1.1 Standard Configuration

DS-3E2310P switch has three parts: 8 IEEE802.3af/at 100M Ethernet Base-T ports, 2 gigabit Base-T ports, 2 combo optical ports and 1 console port, DS-3E2318P switch has three parts: 16 IEEE802.3af/at 100M Ethernet Base-T ports, 2 gigabit Base-T ports, 2 combo optical ports and 1 console port, DS-3E2326P switch has three parts: 24 IEEE802.3af/at 100M Ethernet Base-T ports, 2 gigabit Base-T ports, 2 combo optical ports and 1 console port. See the following table:

Table 1-1 Attributes of necessary ports

Port	Features
Gigabit Ethernet ports	Base-T port: a rate of 10/100/1000M auto-adaptation, cable MDI/MDIX auto-identification, UTP(RJ45) port, with LINK/ACT indicators
100M PoE port	Base-T port: a rate of 10/100M auto-adaptation, MDI/MDIX auto-identification, UTP(RJ45) interface
Console port	A rate of 9600bps, RJ45 interface

1.2 Panel and Interfaces

1.2.1 Front Panel

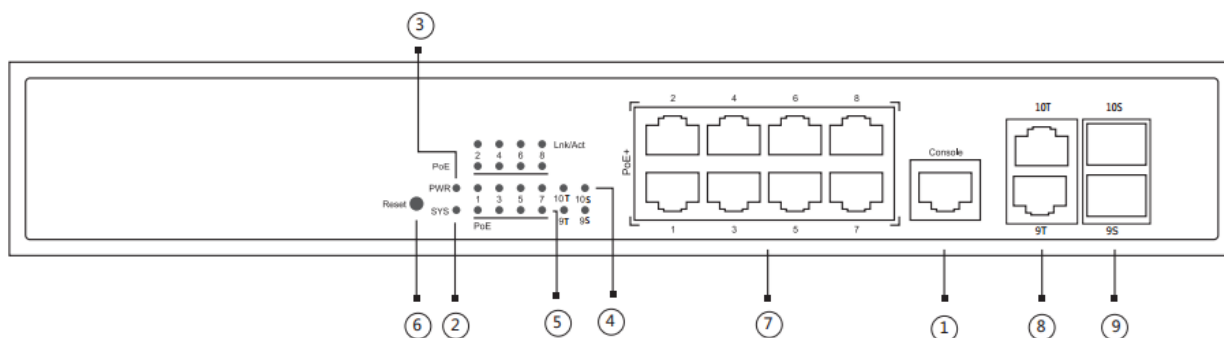


Figure 1-1 Front Panel of the DS-3E2310P Switch

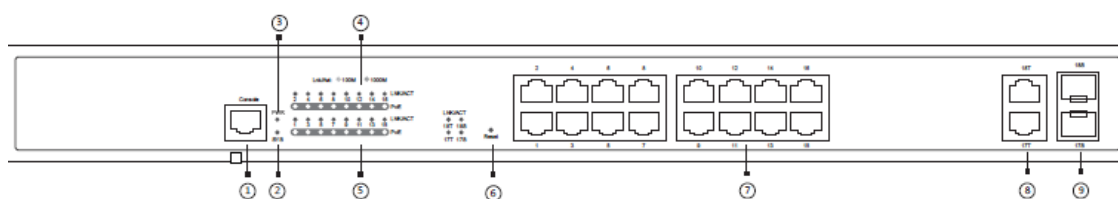


Figure 1-2 Front Panel of the DS-3E2318P Switch

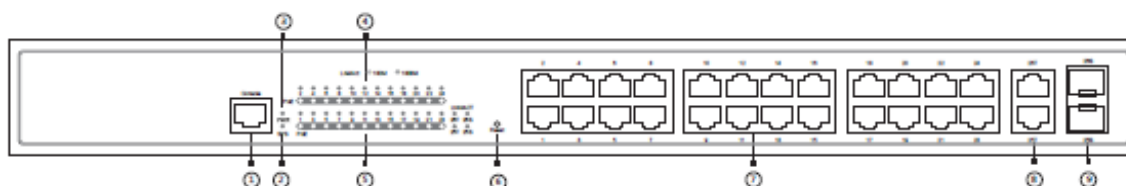


Figure 1-3 Front Panel of the DS-3E2326P Switch

Table 1-2 DS-3E2300P Front Panel Description

No.	Item	Name	Description
1	Console	Console port	Manages the switch locally.
2	SYS	System indicator	If the indicator is always on, the system works normally.
3	PWR	power indicator	If the switch is powered on, the indicator is on.
4	Lnk/Act	Lnk/Act indicator corresponding to each port	Green indicator is on: 10/100M is transmitted; Red indicator is on: 1000M is transmitted; No indicator is on: no signal is transmitted.
5	PoE	PoE indicator corresponding to each port	If the indicator is always on, the PoE works normally. If the indicator is off, the PoE does not work.
6	Reset	RESET	Resume to the default setting.
7	/	16 RJ45 ports	Realizes the PoE function and forwards 10/100M Ethernet electrical signals
8	/	2 gigabit RJ45 ports	Realizes the forward of 10/100/1000M Ethernet electrical signals.
9	/	2 SFP ports	Realizes the forward of gigabit Ethernet optical signals.

 **NOTE**

The DS-3E2300P provides with a grounding column and a power socket.

1.2.2 Rear Panel



Figure 1-4 Rear Panel of the DS-3E2300P Switch

Table 1-3 DS-3E2300P Rear Panel Description

No.	Name	Remarks
1	The grounding column	The grounding must be fine.
2	AC power socket	100~240V AC

Chapter 2 Installation Preparation

2.1 Cautions

Similar to other electronic products, the semiconductor chip easily gets damaged if you power on and off abruptly and frequently. To restart up the switch of DS-3E2300P, you have to open the power on-off three or five seconds after the power is cut off.

Avoid severe collision or falling down from the height to protect the parts in the switch.

Use correct outside ports to connect the switch of DS-3E2300P. Do not insert the Ethernet plug into the console port (RJ45 8-line socket). Similarly, do not insert the console cable into the console port (RJ45 8-line socket).



- When you plug or dial out the power line, keep the power line horizontal with the power socket.
- When the lifetime of our products ends, handle them according to national laws and regulations, or send these products to our company for collective processing.

2.2 Safety Instructions

2.2.1 Safety Principles

- Keep dustless and clean during or after the installation.
- Put the cover at the safe place.
- Put tools at the right place where they are not easily falling down.
- Put on relatively tight clothes, fasten the tie or scarf well and roll up the sleeve, avoiding stumbling the chassis.
- Put on the protective glasses if the environment may cause damage to your eyes.
- Avoid incorrect operations that may cause damage to human or devices.

2.2.2 Safety Notices

The safety notices mentioned here means that improper operation may lead to body damage.

- Read the installation guide carefully before you operate the system.
- Only professionals are allowed to install or replace the switch.
- Please cut off the direct-current connection when you operate the hull or work near the power supply.

- The final configuration of products must comply with relative national laws and regulations.

2.2.3 Safety Principles for Live Working

When you work under electricity, following the following principles:

- Put off ornaments, such as ring, necklace, watch and bracelet, before you operate under live working. When metal articles connect the power to the ground, short circuit happens and components may be damaged.
- Please cut off the direct-current connection when you operate the hull or work near the power supply.
- When the power is on, do not touch the power.
- Correctly connect the device and the power socket.
- Only professionals are allowed to operate and maintain the device.
- Read the installation guide carefully before the system is powered on.
- Check potential dangers, such as the humid floor, ungrounded extensible power line and tatty power line.
- Install the emergent on-off at the working room for turning off the power when trouble happens.
- Plug off the power line before installing or uninstalling the machine box or working beside the power.
- Do not work alone if potential dangers exist.
- Cut off the power before checkout.
- If trouble happens, take the following measures:
 - a) Cut off the system's power.
 - b) Alarm.
 - c) Take proper measures to help persons who are hit by the disaster. Artificial respiration is needed if necessary.
 - d) Seek for medical help, or judge the loss and seek for available help.

2.2.4 Electrostatic Discharge Damage Prevention

Electrostatic discharge may damage devices and circuits. Improper treatment may cause the switch to malfunction completely or discontinuously.

Move or locate the devices according to the measures of electrostatic discharge prevention, ensuring the machine box connects the ground. Another measure is to wear the static-proof hand ring. If there is no hand ring, use the metal clip with the metal cable to clip the unpainted metal part of the machine box. In this case, the static is discharged to the ground through the metal cable of the clip. You can also discharge the static to the ground through your body.

2.3 Requirements for Common Locations

This part describes the requirements for the installation locations.

2.3.1 Environment

DS-3E2300P switch adopts the wall-mounted installation mode. The switch has no fan, so an environment with good ventilation is needed for the heat cooling of the switch.

For location planning and device locating, refer to section 2.3.2 “Location Configuration Prevention”.

2.3.2 Location Configuration Prevention

The following preventive measures assist you to design the proper environment for the switch.

- Make sure that the workshop is well-ventilated, the heat of TX devices is well-discharged and sufficient air circulation is provided for device cooling.
- Put the chassis at the place where cool air can blow off the heat inside the chassis. Make sure the chassis is sealed because the opened chassis will reverse the cool air flow.

2.3.3 Cabinet Configuration

The following content assists you to make a proper cabinet configuration:

- Each device on the cabinet gives off heat when it runs. Therefore, the sealed cabinet must have the heat-discharge outlet and the cooling fan. Do not put the devices too close, avoiding bad ventilation.
- When you install the chassis at the open cabinet, prevent the frame of the cabinet from blocking the airway of the chassis.
- Ensure that nice ventilation is provided for the devices installed at the bottom of the cabinet.
- The clapboard separates exhaust gas and inflow air, and boost the cool air to flow in the chassis. The best location of the clapboard is decided by the air flow mode in the chassis, which can be obtained through different location tests.

2.3.4 Power Requirements

Make sure that the power supply has nice grounding and the power at the input side of the switch is reliable. The voltage control can be installed if necessary. At least a 240 V, 10A fuse or a breaker is provided in the phase line if you prepare the short-circuit prevention measures for a building.



If the power supply system does not have good grounding, or the input power disturbs too much and excessive pulses exist, the error code rate of communication devices increases and even the hardware system will be damaged.

2.4 Installation Tools and Device

The tools and devices to install the DS-3E2300P switch are not provided by the DS-3E2300P switch. You yourself need to prepare them. The following are the tools and devices needed for the typical installation of the DS-3E2300P switch:

- Screwdriver
- Static armguard
- Bolt
- Ethernet cable
- Other Ethernet terminal devices
- Control terminal

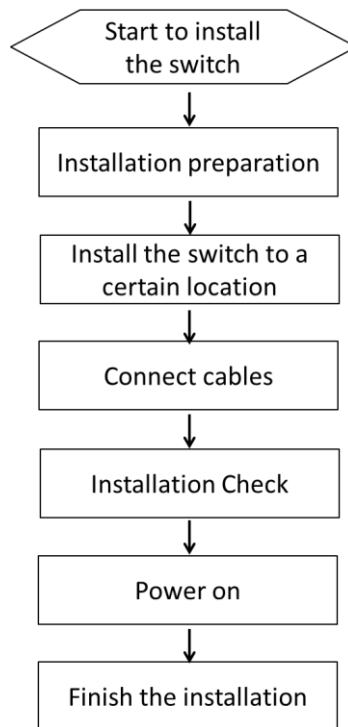
Chapter 3 Installing the DS-3E2300P Switch



NOTE

Only professionals are allowed to install or replace the devices of the switch.

3.1 Installation Procedures of DS-3E2300P



3.2 Installing the Chassis of DS-3E2300P

The chassis of the switch can be put on the desk or fixed to the cabinet. Your network installation requirements can be met if you conduct the operations according to the following procedure. It can be described in the following two parts:

- Installing the Chassis on the Desk
- Installing the Chassis on the Cabinet

3.2.1 Installing the Chassis on the Desk

The DS-3E2300P switch can be directly put on the smooth and safe desk.

 NOTE

Do not put things weighing 4.5 kg or over 4.5 kg on the top of the switch.

3.2.2 Installing the Chassis on the Cabinet

The chassis of the switch is fixed to the cabinet through the fixing mouth. When operation it is enough to fix the back template of the switch through the fixing mouth to the cabinet.

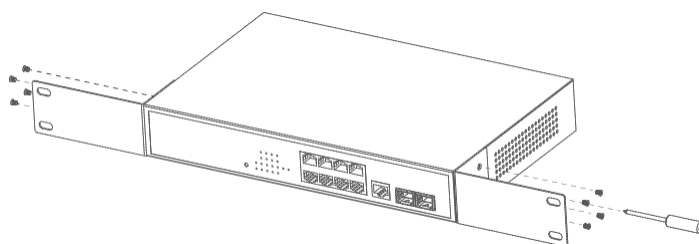


Figure 3-1 Fixing the machine box of the switch

After the brackets are installed, install the switch on the cabinet. See Figure 3-2.

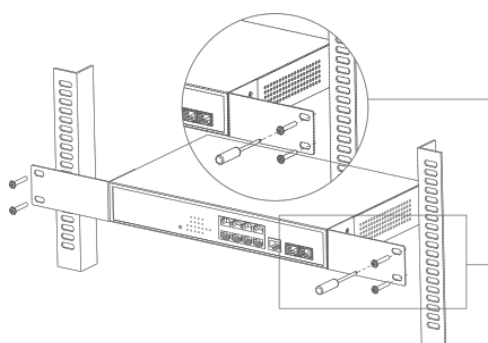


Figure 3-2 Installing the switch on the cabinet

3.3 Connecting the Port

3.3.1 Connecting the Console Port

The switch of DS-3E2300P has a Console port. The rate of the console port is a value of 1200bps-115200bps. It has a standard RJ45 plug. After you connect the console port to the serial port of PC through a console cable, you can configure and monitor the switch of DS-3E2300P by running a terminal emulation software, such as super Windows terminal. The cable is provided according to the host. The communication parameters of the terminal serial port can be set to a rate of 9600bps, eight data bits, one stop bit, no sum check bit and traffic control.

The RJ45 connector of the console port is shown in the following figure. The RJ45 plug corresponds to the RJ45 socket, whose pins can be aligned from left to right with the value from 1 to 8.

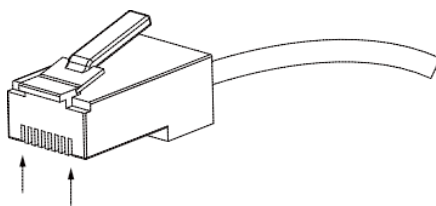


Figure 3-3 RJ-45 connector of the console port

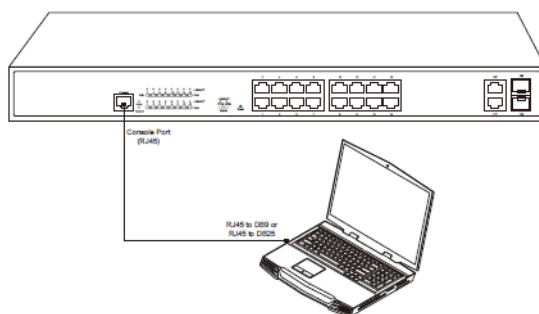


Figure 3-4 Connecting the console port of DS-3E2300P and computer

Table 3-1 Definition of the pins of the console port

No.	Abbreviation	Name	Description
1	CD	Carrier Detecting	No connect
2	RXD	Data receiving	Input
3	DSR	Data-line device ready	No connect
4	TXD	Data transmitting	Output
5	RTS	Transmission requesting	No connect
6	CTS	Response transmitting	No connect
7	DTR	Data terminal ready	No connect
8	SG	Signal ground	GND

NOTE

Because the console port of DS-3E2300P bears no flow control, you need to set Data flow control to none when using a superior terminal to manage DS-3E2300P configurations, or the single-pass problem will arise from the superior terminal.

The cable is used to connect the console port of the DS-3E2300P switch and the outside console terminal device. One end of the cable is a 8-pin RJ45 plug and the other end is a 25-hole plug (DB25) and a 9-hole plug (DB9). The RJ45 plug is put into the socket of the console port on the DS-3E2300P switch. DB25 or DB9 is applied according to the requirement of the terminal serial port. The inner line connection in the cable is shown in Figure 3-5.

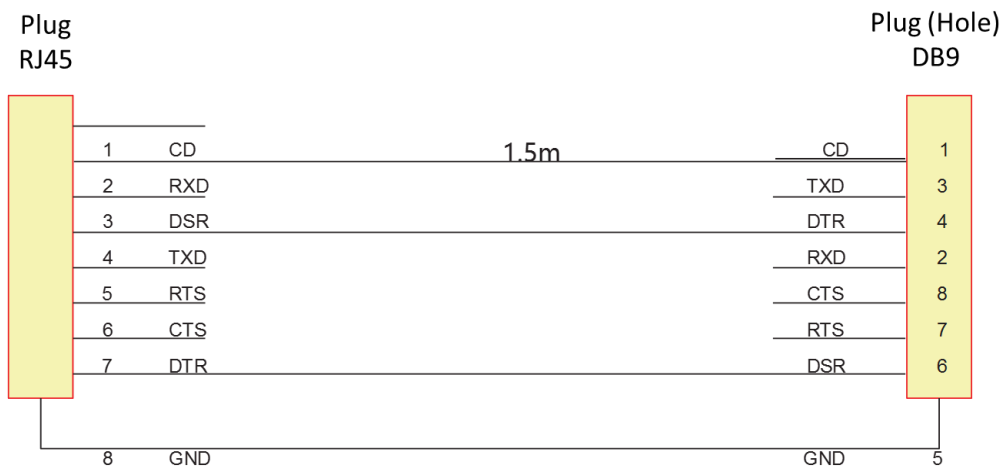


Figure 3-5 Cable connection at the console port

3.3.2 Connecting the SFP Ports

DS-3E2300P provides 2 gigabit SFP optical ports. Each port corresponds to one indicator respectively, which is used for indicating the port Link/ACT state. When the indicator is always on, the link is normal; when it flickers, the data receives and forwards. To use the optical port, you need connect it to the SFP optical module, and then to other Ethernet terminal devices through an optical fiber.

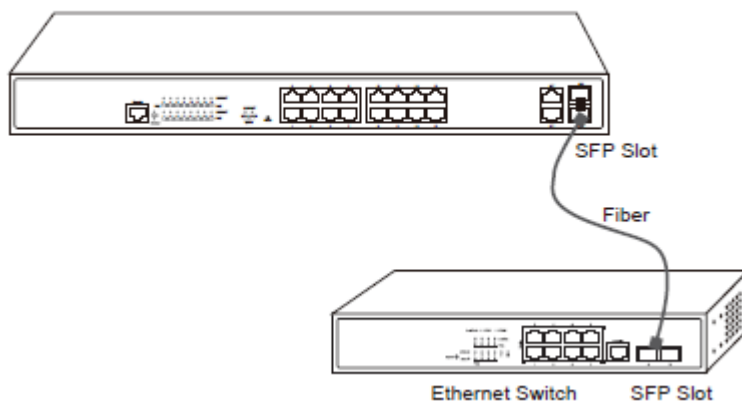


Figure 3-6 Connecting the SFP ports and other Ethernet terminals

3.3.3 Connecting 100M Ethernet Base-T Ports

The DS-3E2300P switch has 16 10/100Base-TX ports. Each port has one indicator, which indicates the state of Link/ACT. If the indicator is always on, the port is linked up; if the indicator flickers, the data is transmitted on the port. The numbering order of the pins in the UTP port is the same as the console port.

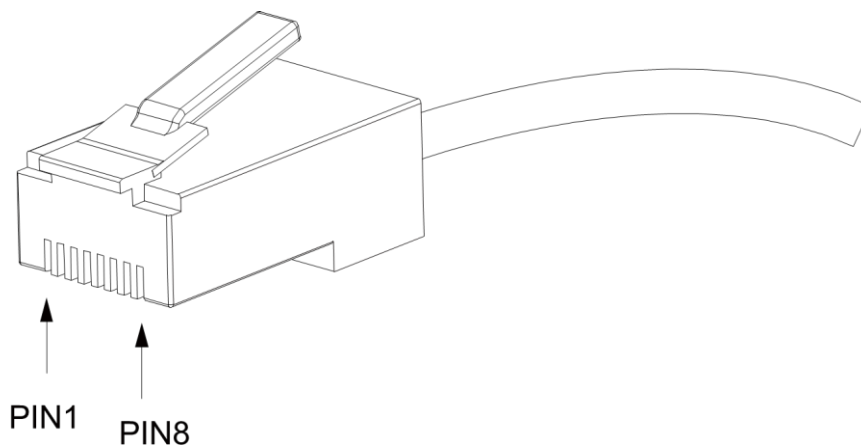


Figure 3-7 RJ-45 connector of the console port

As 16 10/100Base-TX ports of DS-3E2300P support the MDI/MDIX auto-identification of the cable, DS-3E2300P can adopt five classes of direct-through/cross network cables when it connects other Ethernet terminals.

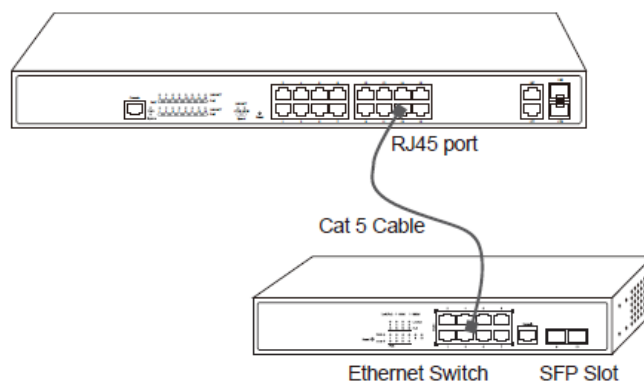


Figure 3-8 Connecting Base-T ports and other Ethernet terminal

Table 3-2 Definition of the pins of the 1000M RJ45 port

No.	Item	Description
1	TXD1+	Sending the normal phase of the data
2	TXD1-	Sending the paraphase of the data
3	RXD1+	Receiving the normal phase of the data
4	TXD2+	Sending the normal phase of the data
5	TXD2-	Sending the paraphase of the data
6	RXD1-	Receiving the paraphase of the data
7	RXD2+	Receiving the paraphase of the data
8	RXD1-	Sending the paraphase of the data

**NOTE**

The direct-through or cross network cable has the function of auto-identification, so the five classes of direct-through/cross network cables can be used to connect other Ethernet devices.

3.4 Checkup after Installation

Before feeding power to start the switch, perform the following checkups after the switch is installed:

- If the switch is installed on the DIN rail, check whether the installation is strong. If the switch is installed on the desk, check whether there is enough space for the switch to discharge its heat and whether the desk is stable.
- Check whether the connected power supply meets the power requirements of the switch.
- Check whether the grounding line of DS-3E2300P is correctly connected.
- Check whether DS-3E2300P is correctly connected to other terminal devices.

Chapter 4 Maintenance

NOTE

- Before opening the chassis, make sure that you have released the static you carried and then turn off the power on-off of DS-3E2300P. Before operating any step in Appendix B, read the section “Safety Advice”.
- Before performing operations beside the power supply or on the chassis, turn off the power on-off and plug out the power cable.

4.1 Opening the Chassis

This section describes how to open the cover of the switch, required tools and operation methods.

NOTE

When the power cable still connects the power supply, do not touch it.

To uninstall the chassis, you need some tools which the standard configuration of DS-3E2300P does not provide. These tools are:

- Crossed screwdriver
- Static armguard

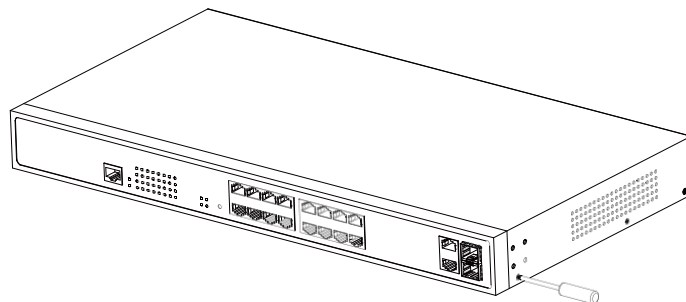
Perform the following steps to open the cover of the switch:

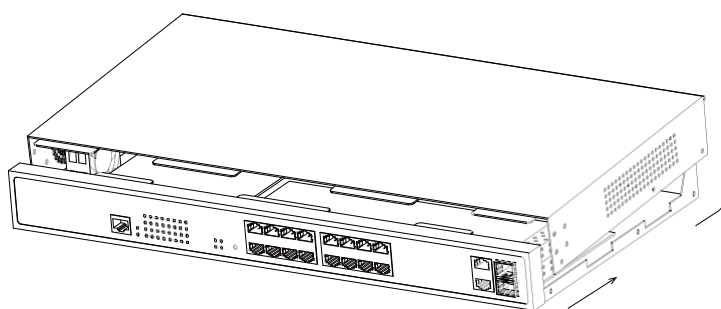
Step 1 Cut off the power of the switch.

Step 2 Plug out all cables connected the back of the switch.

Step 3 Take out the bolt from the chassis with the screwdriver.

Step 4 Remove the 3 screws of both sides as shown in the first one of the following figures and take off the upper cover as shown in the second of the following figures:





When the cover is opened, put it aside. The main board of the system appears.

 **NOTE**

After taking off the cover, put it horizontally and avoid it to be crushed or collided. Otherwise, the chassis is hard to install.

4.2 Closing the Chassis

Step 1 Align the equipment cover and its bottom, and push it in according to the direction of the arrows. Do not push it in before aligning.



Step 2 Nail the bolt and screw it tightly with the screwdriver.

Step 3 Reinstall the switch on the DIN rail or on the desk.

Step 4 Reconnect all cables of the switch.

Chapter 5 Hardware Fault Analysis

5.1 Fault Separation

The key for resolving the systematic faults is to separate the fault from the system. You can compare what the system is doing with what the system should do to detect the fault. You need to check the following subsystems:

- Connection of the power supply and the cooling system — the power supply and the fan;
- Port, cable and connection—ports on the front template of the switch and the cables connecting these ports.

5.1.1 Faults Relative with Power and Cooling System

Do the following checkups to help remove the fault:

- When the power on-off is at the “ON” location, check whether the fan works normally.
- If the switch is too hot, check whether the air outlet and air inlet are clean and then do relative operations in section 2.3 “Requirements for Common Locations”.
- If the switch cannot be started and the PWR indicator is off, check the power.

5.1.2 Faults Relative with Port, Cable and Connection

Do the following checkups to help remove the fault:

- If the port of the switch cannot be linked, check whether the cable is correctly connected and whether the peer connection is normal.
- If the console port does not work after the system is started up, check whether the console port is set to a baud rate of 9600 bps, eight data bits, no sum check bit, one stop bit and no traffic control.

5.2 LED Description

The LED shows that the switch is running. The following table shows the LEDs of the DS-3E2300P switch and their description:

Table 5-1 DS-3E2300P Indicator Description

No.	Item	Name	Description
1	PWR	Power indicator	If the switch is powered, the indicator is on.
2	SYS	System indicator	If the indicator is always on, the system is being started up. If the LED flickers, the system works normally.
3	LINK/ACT	LINK/ACT port indicators	If the indicator is always on, it means that the connection is linked. If the indicator is off, the port is not linked.
4	PoE	PoE indicator corresponds to each port	If the indicator is always on, it means the PoE works. If the indicator is off, the PoE does not work.

Chapter 6 Specifications

Item	DS-3E2310P	DS-3E2318P	DS-3E2326P
Backplane	10 Gbps	21.2 Gbps	22.8 Gbps
Forwarding rate	5.6 Mpps	8.4 Mpps	9.6 Mpps
MAC	8K	8K	8K
Ports	8 100M Base-T ports+2 gigabit combo ports	16 100M Base-T ports + 2 gigabit combo ports	24 100M Base-T ports + 2 gigabit combo ports
Dimensions(W×D×H)(mm)	280*179*45	440×232×44	440×232×44
Consumption	<15W	<15W	<15W
POE/POE+	Support	Support	Support
POE power consumption	140W(POE 125W)	330W (POE 300W)	400W (POE 380W)
Power supply	AC: 100V-240V, 50Hz±10%		
Environment	Operating temperature/humidity: 0 °C to 50 °C, 10% to 90% non-condensing Storage temperature/humidity: -20 °C to 70 °C; 5% to 95% non-condensing		
MAC exchange	Static configuration and dynamic MAC learning; MAC browsing and removal Configurable aging time of the MAC address; Limited number of learnable MAC addresses; MAC filtration		
VLAN	4K VLAN; GVRP; QinQ; Private VLAN		
STP	802.1D (STP), 802.1W (RSTP) and 802.1S (MSTP) BPDU protection, root protection, and loopback protection		
Multicast	IGMP v1/v2/v3 IGMP snooping IGMP Fast Leave Multicast group strategy and quantity limitation Multicast flow copying over VLANs (not supported by S2108POE)		
QoS	Flow classification based on L2~4 protocols (not supported by S2108POE) CAR flow limit 802.1P/DSCP priority re-labeling (not supported by S2108POE) SP, WRR, and “SP+WRR” Congestion avoidance mechanisms like Tail-Drop and WRED Flow monitoring and flow shaping		
Security	L2/L3/L4 ACL flow identification and filtration (not supported by		

	S2108POE) DDoS attack prevention, TCP's SYN Flood attack prevention, UDP Flood attack prevention, etc. Broadcast/multicast/unknown unicast storm-control Port isolation Port security, and "IP+MAC+port" binding (not supported by S2108POE)
Reliability	Static/LACP link aggregation EAPS and ERPS
Management	Console, Telnet, SSH2.0, Web SNMP v1/v2/v3 TFTP RMON



First Choice for Security Professionals