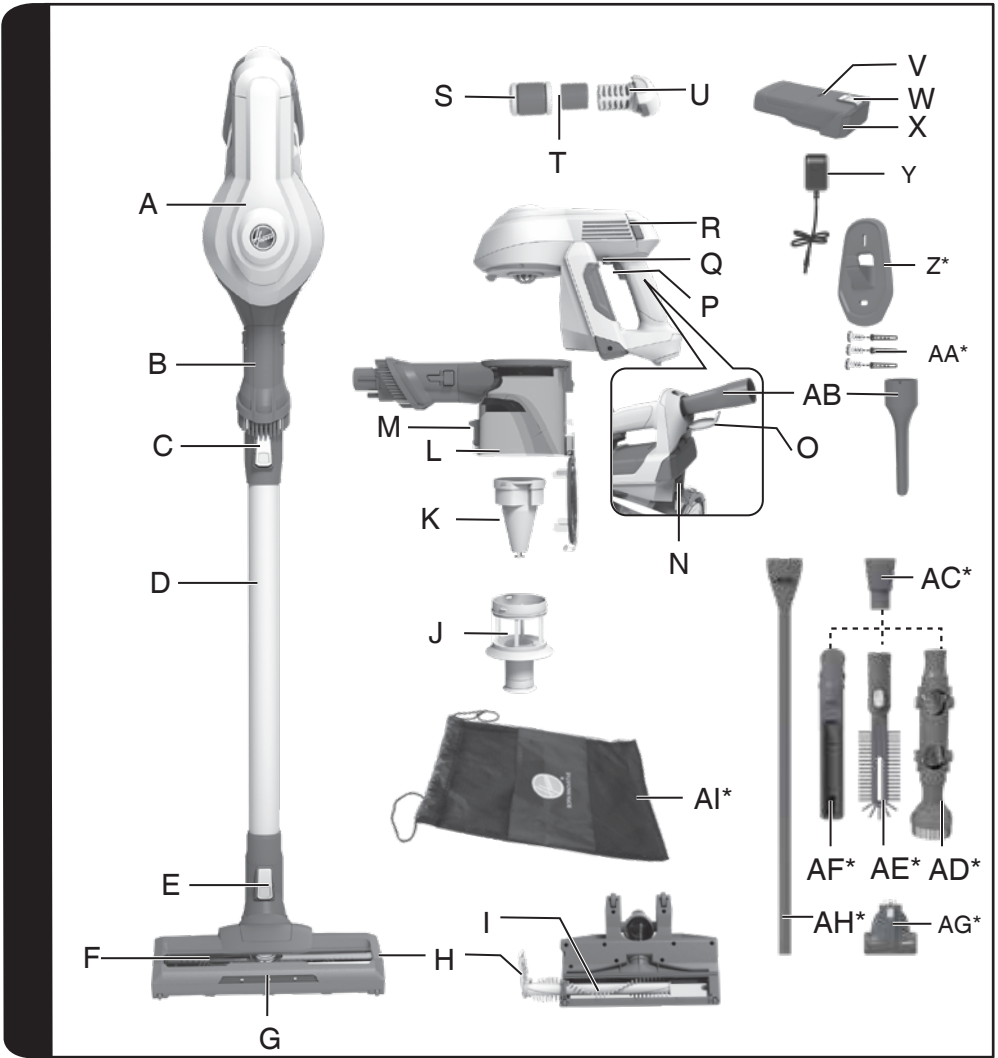


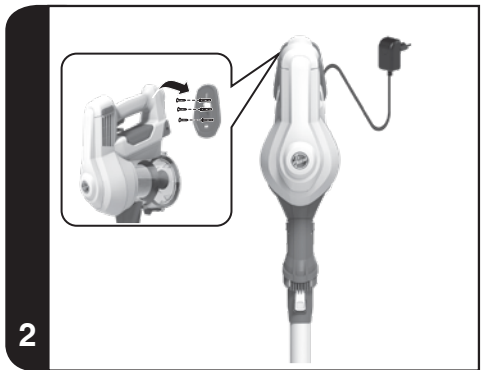
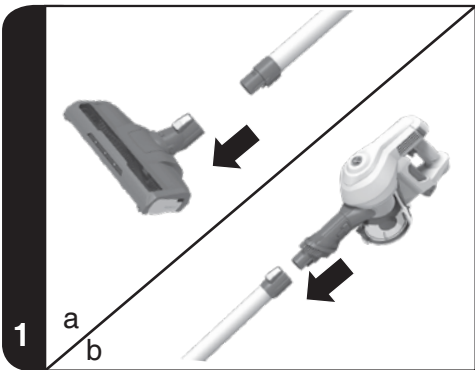


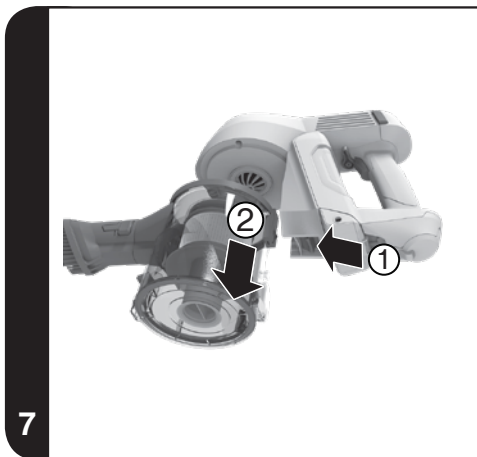
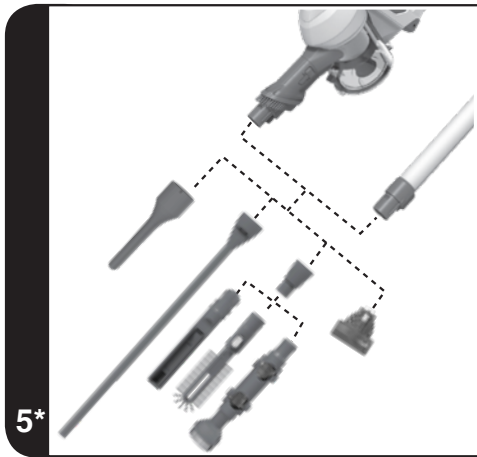
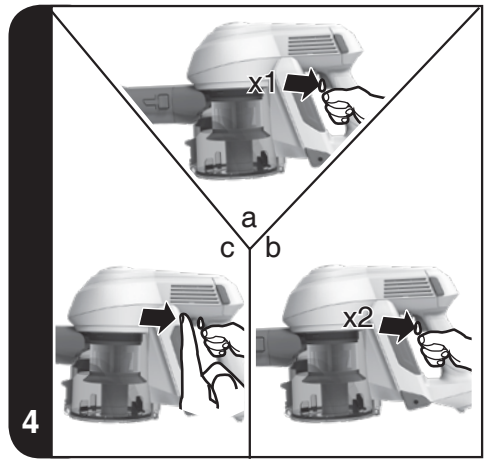
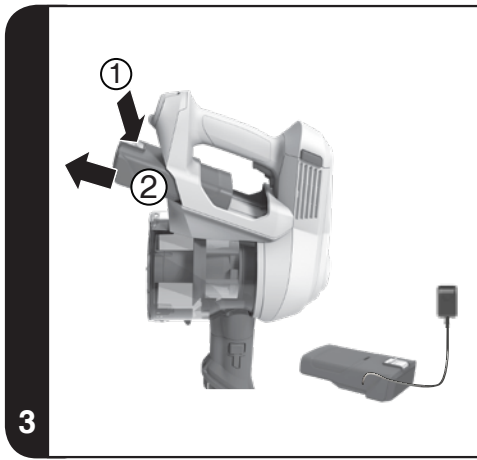
USER MANUAL (GB)	P 01
MANUEL D'UTILISATION (FR)	P 07
BEDIENUNGSANLEITUNG (DE)	P 13
MANUALE D'ISTRUZIONI (IT)	P 19
MANUAL DE INSTRUÇÕES(PT)	P 25
MANUAL DE INSTRUCCIONES(ES)	P 31
GEBRUIKERSHANDLEIDING(NL)	P 37
BRUGERVEJLEDNING(DK)	P 43
BRUKSANVISNING(NO)	P 49
INSTRUKTIONSMANUAL(SE)	P 55
KÄYTTÖOHJE(FI)	P 61
ΟΔΗΓΙΕΣ ΧΡΗΣΕΩΣ(GR)	P 67
РУКОВОДСТВО ПОЛЬЗОВАТЕЛЯ(RU) ...	P 73
INSTRUKCJA OBSŁUGI(PL)	P 79
NÁVOD K OBSLUZE(CZ)	P 85
NAVODILA ZA UPORABO(SI)	P 91
KULLANIM KILAVUZU(TR)	P 97

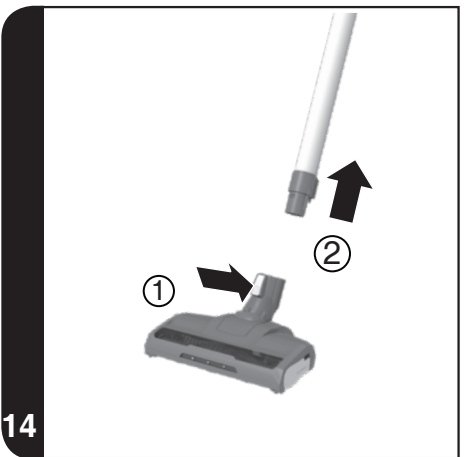
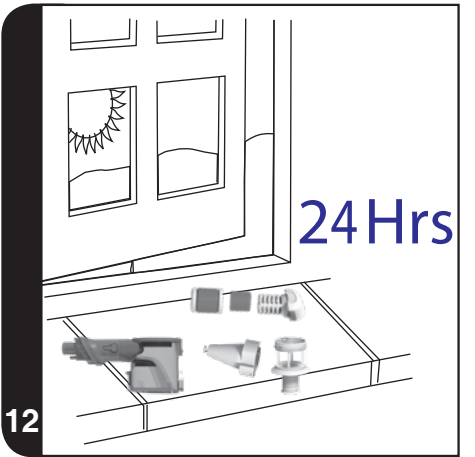
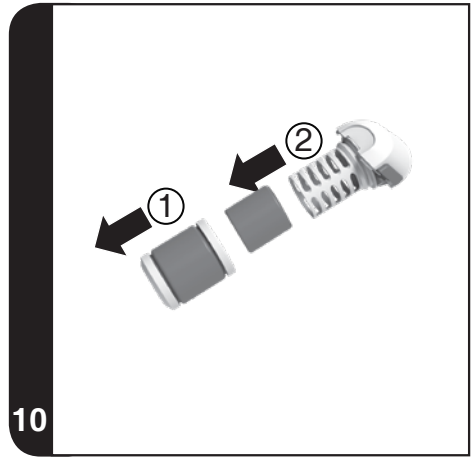
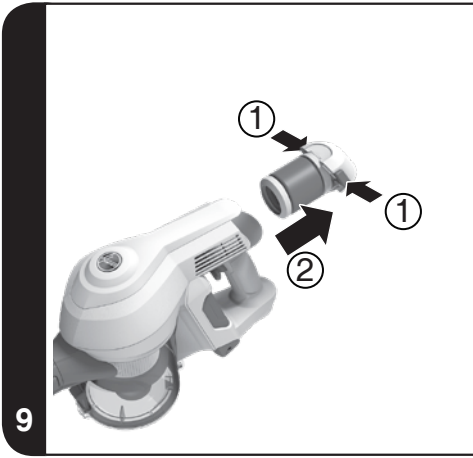




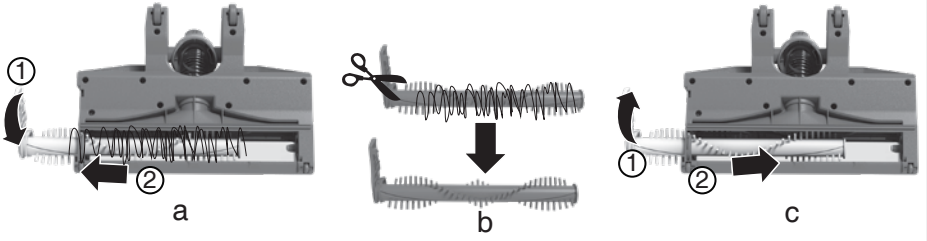
* Certain models only, accessories may vary according to model



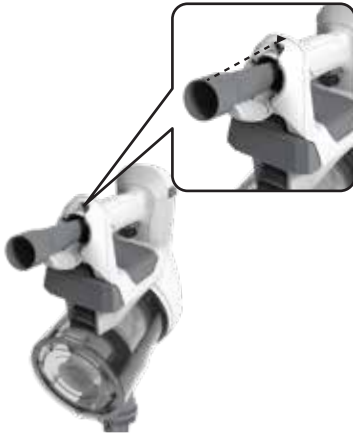




15



16



INSTRUCTIONS FOR SAFE USE

This appliance should only be used for domestic cleaning, as described in this user guide. Please ensure that this guide is fully understood before operating the appliance.

Always switch off and remove the charger from the socket before cleaning the appliance or any maintenance task.

This appliance can be used by children aged from 8 years and above and persons with reduced physical, sensory or mental capabilities or lack of experience and knowledge if they have been given supervision or instruction concerning use of the appliance in a safe way and understand the hazards involved. Children shall not play with the appliance. Cleaning and user maintenance shall not be made by children without supervision.

If the power cord is damaged stop using the appliance immediately. To avoid a safety hazard, an authorised Hoover service engineer must replace the power cord.

Keep hands, feet, loose clothing and hair away from rotating brushes.

Use only the original charger supplied with the appliance.

Check that your supply voltage is the same as that stated on the charger.

This appliance is supplied with a double insulated battery charger which is only suitable for insertion in a 230V (UK 240V) socket outlet.

Plug the charger in to suitable socket outlet and connect the charger jack plug to the appliance.

When charging the appliance, the power switch lever must be in the off position.

Before first use, charge your appliance for at least 24 hours. The battery pack LED light will illuminate Red during charging and will turn WHITE when fully charged.

Re-connect the appliance to the charger after use to recharge the battery.

Never charge the batteries in temperatures above 37°C or below 0°C.

It is normal for the charger to become warm to the touch when charging.

Do not unplug the charger by pulling on the power cord.

Unplug the charger in the event of prolonged absence (holidays, etc.). Recharge appliance again before use as batteries may self discharge over increased periods of storage.

If the appliance is to be disposed of the batteries must first be removed. The appliance must be disconnected from the supply mains when removing the battery. Dispose of the batteries safely. Run the appliance until it stops because the batteries are fully discharged. Used batteries should be taken to a recycling station and not disposed of with household waste. To remove the batteries, please contact the Hoover Customer Centre or proceed according to the following instructions.

IMPORTANT: Always fully discharge the batteries before removal.

Run the cleaner until the batteries are completely empty.

Remove the charger jack plug from the appliance.

Press the battery pack release button and slide to remove. [3]

Note: Should you experience any difficulty in dismantling the unit or for more detailed information on treatment, recovery and recycling of this appliance, please contact your local city office or your household waste disposal service.

Use only attachments, consumables or spares recommended or supplied by Hoover.

Static electricity: some carpets can cause a small build up of static electricity. Any static discharge is not hazardous to health.

Do not use your appliance out of doors or on any wet surface or for wet pick up.

Do not pick up hard or sharp objects, matches, hot ashes, cigarette ends or other similar items. Do not spray with or pick up flammable liquids, cleaning fluids, aerosols or their vapours.

Do not run over the power cord when using your appliance or remove the plug by pulling on the power cord. Do not continue to use your appliance or charger if it appears faulty.

Hoover service: To ensure the continued safe and efficient operation of this appliance we recommend that any servicing or repairs are only carried out by an authorised Hoover service engineer.

Do not use the appliance to clean animals or people.

Do not replace the batteries with non-rechargeable batteries.

The Environment:

This appliance is marked according to the European directive 2011/65/EC on Waste Electrical and Electronic Equipment (WEEE). By ensuring this product is disposed of correctly, you will help prevent potential negative consequences for the environment and human health, which could otherwise be caused by inappropriate waste handling of this product. The symbol on the product indicates that this product may not be treated as household waste. Instead it shall be handed over to the applicable collection point for the recycling of electrical and electronic equipment. Disposal must be carried out in accordance with local environmental regulations for waste disposal. For more detailed information about treatment, recovery and recycling of this product, please contact your local city office, your household waste disposal service or the shop where you purchased the product.



This product complies with the European Directives 2014/35/EU, 2014/30/EU and 2011/65/EU.

CANDY HOOVER GROUP S.r.l. Via Privata Eden Fumagalli, 20861 Brugherio (MB) Italy

PRODUCT COMPONENTS

- | | |
|-----------------------------------|----------------------------------|
| A. Main Body | S. Exhaust Filter |
| B. Integrated Dusting Brush | T. Sponge |
| C. Tube Release Button | U. Exhaust Filter Frame |
| D. Tube | V. Battery Pack Led Light |
| E. Nozzle Release Button | W. Battery Pack Release Button |
| F. Nozzle | X. Battery Pack |
| G. Front Led Lights | Y. Charger |
| H. Agitator Release Flap | Z. Wall Mount * |
| I. Intense Floor Roller | AA. Screws Plugs * |
| J. Mesh Filter | AB. Crevice Tool |
| K. Single Cyclone | AC. Accessory Adaptor * |
| L. Dust Bin | AD. Up To Top Tool * |
| M. Dust Flap Release Button | AE. Radiator Tool * |
| N. Dust Bin Release Button | AF. Deep Cleaning Brush * |
| O. Crevice Cover Cap | AG. Mini-Turbo Nozzle * |
| P. Switch ON/OFF | AH. Long Flexible Crevice Tool * |
| Q. Switch Lever | AI. Accessory Bag * |
| R. Exhaust Filter Release Buttons | |

PREPARING YOUR CLEANER

1. Insert the nozzle head into one side of tube until you hear a "click" sound. **[1a]**
2. Insert the another side of tube into handheld until you hear a "click" sound. **[1b]**
3. Fix the wall mount to your wall using the screws and screw plugs provided. **[2]**
4. To fully charge the appliance, connect the charge jack plug to the removable battery pack. It will take around 6Hrs. **[2,3]**

NOTE: To remove the nozzle press the nozzle release button and pull away from the main body.

NOTE: Use only the charger supplied with your cleaner to recharge.

IMPORTANT: When charging the cleaner, switch lever must be in the OFF position. You can charge the removable battery pack also when released from the product.

It is normal for the charger to become warm to touch when charging.

* Certain Models Only

USING YOUR CLEANER

There are three working modes:

- **TURBO MODE:** The product will start on full power with agitator ON when you press the ON/OFF switch and stop when released. [4a]
- **ECO MODE:** The product will start on lower power with agitator ON when you press the ON/OFF switch 2 times consecutively and stop when released. [4b]
- **CONTINUOUS MODE:** To enable continuous mode push back lever until locked. It is advisable to disable continuous mode after every time actioned, this is completed by simply pushing the lever forward to the unlocked position. [4b]

IMPORTANT: After each use of your product, please ensure to push the switch lever forward to the unlocked position. Failure to do so may result in a reduction in battery life or failure.

SAFETY PROTECTION SYSTEM

To ensure the reliability of the product is not affected if used under arduous conditions, the product features an integrated safety protection system. [13]

NOTE: The Safety protection system will action if the agitator has a blockage or is locked, once actioned the agitator will stop rotating, the white Led lights on the front of the nozzle will go out. If this happens, simply switch off your product and clear the agitator obstruction. To resume cleaning, press the on/off button and the product will restart in turbo mode.

BATTERY

DISPLAY LED:

This cleaner is equipped with a Battery Status LED Lights.

BATTERY LEVEL:

White colour: 100% - 5% charge

Blink White colour: < 5% charge

Red colour: during the charging

There are two methods of charging:

Charge the battery when fitted to the product. [2]

Insert the battery charger jack to the battery pack. The LED status indicator will illuminate red when charging. When charging is complete, the LED status indicator will illuminate white.

Charge the battery when removed from the product. [3]

Remove the battery from the product by pressing the battery release button.

Insert the battery charger jack to the battery pack. The battery pack LED will illuminate red when charging. When charging is complete, the LED indicator will illuminate white.

NOTE: It is normal for the charger to become warm to touch when charging. Use only the charger supplied with your product.

NOTE: If you are not going to use the cleaner for a long period of time, please remove the removable battery pack from the cleaner to maintain the battery life.

ACCESSORIES*

CREVICE TOOL ON BOARD, INTEGRATED DUSTING BRUSH, MINI TURBO NOZZLE*, ACCESSORY ADAPTOR*, UP TO TOP TOOL*, RADIATOR TOOL*, DEEP CLEANING BRUSH* AND LONG FLEXIBLE CREVICE TOOL*.

All the accessories can be fitted on the main product and on the tube. [5]

NOTE: To remove the nozzle or main body unit from the tube, press the respective release button and pull apart.

RADIATOR TOOL* / DEEP CLEANING BRUSH*/ UP TO TOP TOOL*

The accessory adaptor* must be fitted when using these 3 accessories. [5]

NOTE: There is only one way to store the crevice tool in the main body. Align the slot on the crevice tool with the arrow on the main body, push crevice tool into the main body. [16]

NOTE: The mini-turbo nozzle is ideal for deep cleaning textile surfaces (i.e. sofas) and pet hair removal. Move it steadily backwards and forwards. After using, please remove hair / threads collected on the brush with scissors if necessary.

NOTE: The up to top tool is designed to easily clean delicate surfaces without scratching and to reach difficult areas.

* Certain Models Only

NOTE: The radiator tool is ideal for cleaning inside and around cabinets, radiators, blinds and more.

NOTE: The deep cleaning brush is useful to clean in tight spaces without scratching surfaces, and inside your car.

NOTE: The long flexible crevice tool is ideal for cleaning in hard to reach areas, underneath furniture and in your car.

ACCESSORY BAG*

Accessories can be stored in the accessory bag.

WALL MOUNT*

For storage and space saving, your appliance can be fixed to your wall using the three screws and screw plugs included. [2]

CLEANER MAINTENANCE

Emptying the Dust Container

1. Press the tube release button and remove the tube.
2. Press the Dust flap release button to open the bin flap and empty the contents. [6]
3. Close the dust cup up, you will hear a click when fully locked.

NOTE: It is recommended to empty the dust cup after each use or when dust is up to the max fill line.

Cleaning the Dust Container and Filter

1. Press the tube release button and remove the tube.
2. Press the dust flap release button to open the bin flap and empty the contents. [6]
3. Press the battery release button and remove the battery pack. [3]
4. Press the dust bin release button and remove the dust bin from the main body. [7]
5. Turn the mesh filter frame unclockwise direction and remove from the product. [8]
6. Press the exhaust filter release buttons to remove the exhaust filter. [9]
7. Remove the sponge from the exhaust filter and take out the exhaust filter from its frame. [10]
8. When cleaning exhaust filter, wash the sponge and the exhaust filter frame in lukewarm water and leave to dry for 24 hours. Please ensure all parts are completely dry before reassembling. [11, 12]
9. When cleaning the single cyclone, wash the mesh filter and dust bin in lukewarm water and leave to dry for 24 hours. Please ensure all parts are completely dry before reassembling. [11, 12]
10. Ensure it is fully dry before returning to the main body of the cleaner. [12]

NOTE: Do not use hot water or detergents when cleaning the filters. If the filters are incidentally damaged, fit a genuine Hoover replacement. Do not try use the product without a filter fitted.

IMPORTANT: For optimum performance, always keep your filter clean. We recommend that the filter should be washed at least once a month.

Changing and Cleaning the Intense Floor Roller

IMPORTANT: Always switch off the cleaner and remove the removable battery pack before changing or cleaning the agitator.

1. Detach the nozzle from the tube. [14]
2. Position the nozzle with the Intense Floor Roller facing you. Pull the agitator release system lever upwards and remove Intense Floor Roller. [15a]
3. Remove all debris, fibers and hair from Intense Floor Roller, using scissors. [15b]
4. Re-insert Intense Floor Roller and locate agitator release system back in position. [15c]

Replacing the Batteries

This cleaner is fitted with a rechargeable Lithium ion removable battery pack and it is replaceable. Moreover, the battery can be charged also out of the product.

WARNING: Only use approved replacement parts for your cleaner. Using parts not validated by Hoover are dangerous and will invalidate your guarantee.

WARNING: Do not try to open the removable battery pack and repair it by yourself.

1. Press the removable battery pack release button and it can be taken out from main body.
2. Remove the old removable battery pack and replace it with the new one.
3. Dispose of the batteries safely. Used batteries should be taken to a recycling station and not disposed off with household waste.

* Certain Models Only

TROUBLE SHOOTING

Should you have any problem with you cleaner, follow this simple check list before calling the Hoover Customer Service Centre:

A. Cleaner does not switch on

Check if the battery pack is charged.

Check if the battery pack is assembled in place.

B. Loss of suction or no suction

Empty the dust cup and wash the mesh filter and cyclone separator.

Remove nozzle and check for any blockages in the duct.

C. Batteries cannot be charged

Ensure that the continuous mode switch has not been actioned as your battery will not have been charging.

This may also result if the product has not been used or stored for a long period. Contact Hoover customer service to arrange a replacement battery. If the problem persists, contact the Hoover customer service.

HOOVER SPARES AND CONSUMABLES

Always replace parts with genuine Hoover spares. These are available from your local Hoover dealer or direct from Hoover. When ordering parts always quote your model number.

YOUR GUARANTEE

The guarantee conditions for this appliance are as defined by our representative in the country in which it is sold. Details regarding these conditions can be obtained from the dealer from whom the appliance was purchased. The bill of sale or receipt must be produced when making any claim under the terms of this guarantee.

IMPORTANT: The battery in this cleaner is guaranteed for 6 months from the date of purchase. After 6 months the customer is liable for the cost of a new battery.

Subject to change without notice.

INSTRUCTIONS DE SÉCURITÉ D'UTILISATION

Cet appareil ne doit être utilisé que pour un nettoyage domestique, conformément à ce guide d'utilisation. Veuillez vous assurer que ces instructions sont parfaitement comprises avant d'utiliser l'appareil.

Il convient de toujours éteindre et mettre le chargeur hors tension avant d'entreprendre des opérations de nettoyage ou d'entretien de l'appareil.

Cet appareil peut être utilisé par des enfants âgés d'au moins 8 ans et par des personnes ayant des capacités physiques, sensorielles ou mentales réduites, ou n'ayant pas d'expérience ou de connaissances en la matière. Ces dernières doivent recevoir des instructions sur l'utilisation de l'appareil en toute sécurité et comprendre les risques impliqués. Les enfants ne doivent pas jouer avec l'appareil. Le nettoyage et l'entretien ne devraient pas être effectués par des enfants sans supervision.

Si le cordon d'alimentation est endommagé, arrêtez immédiatement d'utiliser l'appareil. Pour éviter les risques d'accident, un réparateur Hoover agréé doit remplacer le cordon d'alimentation.

Maintenez les mains, pieds, vêtements et cheveux à distance des brosses rotatives.

Utilisez uniquement le chargeur d'origine qui vous a été fourni avec l'appareil.

Vérifiez que la tension de l'alimentation est la même que celle indiquée sur le chargeur.

Cet appareil Hoover est fourni avec un chargeur de batterie doublement isolé qui n'est adapté qu'à une prise de 230 V (240 V Grande-Bretagne).

Branchez le chargeur dans une prise adaptée et connectez la prise jack du chargeur dans l'appareil.

Lors du chargement de l'appareil, le commutateur d'arrêt/de démarrage doit être sur arrêt.

Avant la première utilisation, rechargez votre aspirateur pendant au moins 24 heures. Le voyant LED du bloc batterie s'illumine en ROUGE lors de la charge et deviendra BLANC lorsque l'appareil est entièrement chargé.

Rebranchez l'appareil au chargeur après l'utilisation pour recharger les batteries.

Ne rechargez jamais les batteries dans des températures de plus de 37°C ou en-dessous de 0°C.

Il est normal pour le chargeur de devenir chaud au toucher lorsqu'il est en train de charger.

Ne pas débrancher en tirant sur le cordon d'alimentation.

Débranchez le chargeur en cas d'absence prolongée (vacances, etc.). Rechargez l'appareil de nouveau avant de l'utiliser car les batteries peuvent se décharger toutes seules si elles sont stockées pendant longtemps.

Si vous mettez l'appareil à la poubelle, il convient de retirer les batteries d'abord. L'appareil ne doit pas être branché à la prise, lorsque vous retirez les batteries. Mettez les batteries à la poubelle, dans un endroit sûr. Laissez fonctionner l'appareil jusqu'à l'arrêt total de l'appareil dû au fait que les batteries sont entièrement déchargées. Des batteries usées doivent être amenées à un point de recyclage et non pas être éliminées avec les ordures ménagères. Pour retirer les batteries, veuillez contacter le centre d'assistance Hoover ou suivez les instructions suivantes.

IMPORTANT : Déchargez toujours complètement les piles avant de les retirer.

Faites fonctionner le nettoyeur jusqu'à ce que les batteries soient complètement vides.

Retirez la prise jack du chargeur de l'appareil.

Appuyez sur le bouton de déverrouillage de la batterie et faites-la glisser pour la retirer. [3]

Note : Si vous rencontrez des difficultés en démontant l'unité ou si vous souhaitez obtenir de plus amples informations concernant le traitement, la récupération et le recyclage de cet appareil, veuillez contacter les services de votre ville locale ou un service de traitement des ordures ménagères.

N'utilisez que les accessoires, les consommables et les pièces de rechange recommandés ou fournis par Hoover.

Electricité statique : certains tapis peuvent entraîner une petite accumulation d'électricité statique. Les décharges d'électricité statique ne sont pas dangereuses pour la santé.

N'utilisez pas votre appareil à l'extérieur, sur une surface humide ou pour un ramassage humide.

N'aspirez pas d'objets durs ou tranchants, d'allumettes, de cendres chaudes, de mégots de cigarettes ou d'autres objets similaires. Ne pulvérisiez ou n'aspirez pas des liquides inflammables, des produits d'entretien liquides, des aérosols ou leurs vapeurs.

Ne marchez pas sur le cordon d'alimentation lorsque vous utilisez votre appareil et ne le débranchez pas de la prise en tirant sur le cordon d'alimentation. Ne continuez pas à utiliser votre appareil ou votre chargeur s'il semble défectueux.

Service Hoover : Pour assurer l'utilisation sûre et efficace de cet appareil, nous recommandons de n'en confier l'entretien et les réparations qu'à un réparateur Hoover agréé.

N'utilisez pas l'appareil sur des personnes ou des animaux.

Ne remplacez pas les batteries avec des batteries non rechargeables.

Environnement :

Cet appareil porte des marques conformes à la directive européenne 2011/65/EC relative aux déchets d'équipements électriques et électroniques (DEEE). Si vous jetez ce produit convenablement, vous contribuerez à éviter des conséquences potentiellement nuisibles pour l'environnement et pour la santé. Le symbole figurant sur le produit indique qu'il ne peut pas être mis à la poubelle avec les ordures ménagères. Vous devez le déposer dans un centre de recyclage des déchets électriques et électroniques. La déposition doit être effectuée conformément à la réglementation locale en matière de déchets. Pour obtenir des compléments d'information sur le traitement, la récupération et le recyclage de ce produit, merci de contacter votre municipalité, le service local des ordures ménagères ou le lieu d'achat du produit.



Cet appareil est conforme aux Directives européennes 2014/35/UE, 2014/30/EUE et 2011/65/UE.

CANDY HOOVER GROUP S.r.l. Via Privata Eden Fumagalli, 20861 Brugherio (MB) Italy

COMPOSANTS DU PRODUIT

- | | |
|---|--|
| A. Corps principal | S. Filtre d'évacuation |
| B. Brosse meuble intégrée | T. Eponge |
| C. Bouton de déverrouillage du tube | U. Cadre du filtre d'évacuation |
| D. Tube | V. Voyant LED du bloc batterie |
| E. Bouton pour détacher la brosse | W. Bouton de déverrouillage du bloc batterie |
| F. Brosse | X. Bloc batterie |
| G. Eclairage led frontal | Y. Chargeur |
| H. Volet de dégagement de la brosse rotative | Z. Support mural * |
| I. Rouleau pour électrobrosse (idéal pour sols durs) | AA. Bouchons à vis * |
| J. Filtre à mailles | AB. Suceur plat |
| K. Simple Cyclone | AC. Adaptateur d'accessoire * |
| L. Cassette de poussière | AD. Outil Sommet * |
| M. Bouton de déverrouillage du volet du bac à poussière | AE. Outil de radiateur * |
| N. Bouton de verrouillage du bac à poussière | AF. Brosse de nettoyage soigné * |
| O. Capot de protection du suceur | AG. Mini Turbo brosse * |
| P. Interrupteur MARCHE/ARRÊT | AH. Suceur flexible coins profonds * |
| Q. Commutateur d'arrêt/de démarrage | AI. Sac accessoires* |
| R. Bouton de déverrouillage du filtre d'évacuation | |

PREPARATION DE L'APPAREIL

1. Insérez la tête de buse dans un côté du tube jusqu'à ce que vous entendiez un déclic. **[1a]**
2. Insérez l'autre côté du tube dans l'aspirateur à main jusqu'à ce que vous entendiez un déclic. **[1b]**
3. Fixez le support mural au mur à l'aide des vis et des chevilles plastique. **[2]**
4. Pour entièrement charger l'appareil, connectez la prise jack du chargeur au bloc batterie amovible. Cela prendra environ 6 heures. **[2,3]**

REMARQUE : Pour enlever la brosse, appuyez sur le bouton pour détacher la brosse et enlevez-la du corps principal.

REMARQUE : N'utilisez que le chargeur fourni avec votre nettoyeur pour recharger.

IMPORTANT : Lors du chargement de l'appareil, le commutateur d'arrêt/de démarrage doit être sur arrêt. Vous pouvez charger le bloc batterie amovible également lorsqu'il est libéré du produit.

Il est normal pour le chargeur de devenir chaud au toucher lorsqu'il est en train de charger.

* Sur certains modèles uniquement

UTILISATION DE L'APPAREIL

Il existe trois modes de fonctionnement :

- **MODE TURBO**: Le produit commence à fonctionner à pleine puissance avec l'agitateur ACTIVÉ lorsque vous appuyez sur le bouton de MARCHE/ARRÊT et s'arrête quand vous le relâchez. **[4a]**
- **MODE ÉCO** : Le produit commence à fonctionner à faible puissance avec l'agitateur ACTIVÉ lorsque vous appuyez sur le bouton de MARCHE/ARRÊT 2 fois de suite et s'arrête quand vous le relâchez. **[4b]**
- **MODE CONTINU** : Pour désactiver le mode continu, poussez le commutateur vers l'arrière jusqu'à ce qu'il se verrouille. Il est conseillé de désactiver le mode continu chaque fois après l'avoir actionné, simplement en poussant le commutateur à la position déverrouillée. **[4b]**

IMPORTANT : Après chaque utilisation du produit, veuillez vous assurer de faire avancer le commutateur d'arrêt/de démarrage à la position déverrouillée.

Ne pas respecter cette instruction peut entraîner la réduction de la durée de vie ou la défaillance de la batterie.

SYSTÈME DE PROTECTION DE SÉCURITÉ

Pour s'assurer que la fiabilité du produit n'est pas affectée en cas d'utilisation dans des conditions difficiles, le produit comporte un système de protection de sécurité intégré. **[13]**

REMARQUE : Le système de protection de sécurité s'activera si l'agitateur a un blocage ou est bloqué. Une fois actionné, l'agitateur s'arrêtera de tourner et les voyants blancs à l'avant de la brosse s'éteindront. Si cela se produit, éteignez simplement le produit et dégagez l'obstruction de l'agitateur. Pour reprendre le nettoyage, appuyez sur le bouton de marche/arrêt et le produit redémarrera en mode turbo.

BATTERIE

AFFICHAGE LED:

Cet aspirateur est équipé de voyants LED d'état de la batterie.

NIVEAU DE BATTERIE :

Couleur blanche : 100% - 5% charge

Blanc clignotant : < 5% charge

Couleur rouge : pendant la charge

Il existe 2 procédés de charge :

Chargez la batterie lorsqu'elle est fixée au produit. **[2]**

Insérez la prise jack du chargeur de batterie dans la batterie. L'indicateur d'état LED s'allume en ROUGE lors de la charge. Lorsque la charge est complète, l'indicateur LED s'allume en blanc.

Chargez la batterie lorsqu'elle est retirée du produit. **[3]**

Retirez la batterie du produit en appuyant sur le bouton de déverrouillage de la batterie.

Insérez la prise jack du chargeur de batterie dans la batterie. Le voyant LED du bloc batterie s'allume en rouge lors de la charge. Lorsque la charge est complète, l'indicateur LED s'allume en blanc.

REMARQUE : Il est normal pour le chargeur de devenir chaud au toucher lorsqu'il est en train de charger. N'utilisez que le chargeur fourni avec votre nettoyeur.

REMARQUE : Si l'aspirateur ne sera pas utilisé pendant longtemps, veuillez retirer le bloc batterie amovible de l'appareil afin de préserver sa durée de vie.

ACCESSOIRES*

SUCEUR PLAT INTÉGRÉ, BROSSSE MEUBLE INTÉGRÉE, MINI TURBOBROSSE*, ADAPTATEUR D'ACCESSOIRE*, OUTIL SOMMET*, OUTIL DE RADIATEUR*, BROSSSE DE NETTOYAGE EN PROFONDEUR* ET SUCEUR FLEXIBLE COINS PROFONDS*.

Tous les accessoires peuvent être fixés au produit principal et sur le tube. **[5]**

REMARQUE : Pour retirer la brosse ou l'unité de corps principal du tube, appuyez sur le bouton de déverrouillage respectif et démontez-la.

OUTIL DE RADIATEUR* / BROSSSE DE NETTOYAGE EN PROFONDEUR*/ OUTIL SOMMET*

L'adaptateur d'accessoire* doit être fixé lorsque vous utilisez ces 3 accessoires. **[5]**

REMARQUE : Le suceur plat peut être rangé uniquement dans le corps principal. Alignez la fente du suceur plat sur la flèche du corps principal puis poussez-le dans le corps principal. **[16]**

* Sur certains modèles uniquement

REMARQUE : La mini turbobrosse est idéale pour le nettoyage en profondeur des surfaces textiles (c.-à-d. les canapés) et pour le retrait de poils d'animaux domestiques. Faites-le avancer et reculer de façon régulière. Après l'utilisation, veuillez retirer les cheveux/fils rassemblés sur la brosse à l'aide de ciseaux, si nécessaire.

REMARQUE : La brosse accès hauteur peut facilement nettoyer les endroits élevés et difficilement accessibles et les surfaces délicates sans les abîmer.

REMARQUE : La brosse radiateur est idéale pour nettoyer à l'intérieur et autour des meubles, radiateurs, stores et plus.

REMARQUE : La brosse de nettoyage en profondeur est utile pour nettoyer les espaces étroits sans abîmer les surfaces et l'intérieur de votre voiture.

REMARQUE : Le suceur flexible coins profonds est idéal pour le nettoyage des endroits difficilement accessibles, sous les meubles et dans votre voiture.

SAC ACCESSOIRES*

Les accessoires supplémentaires peuvent être rangés dans le sac accessoires.

SUPPORT MURAL*

Pour les besoins de stockage et d'économie d'espace, votre appareil peut être fixé au mur à l'aide des trois vis et bouchons à vis fournis. [2]

ENTRETIEN DE L'ASPIRATEUR

Vidage du bac à poussière

1. Appuyez sur le bouton de déverrouillage du tube et retirez-le.
2. Appuyez sur le bouton de déverrouillage du volet antipoussière pour ouvrir le clapet du bac et videz-le. [6]
3. Fermez le bac à poussière ; vous entendrez un déclic une fois complètement verrouillé.

REMARQUE : Il est recommandé de vider le bac à poussière après chaque usage ou lorsque la poussière atteint la ligne de remplissage maximale.

Nettoyez le bac à poussière et le filtre.

1. Appuyez sur le bouton de déverrouillage du tube et retirez-le.
2. Appuyez sur le bouton du volet antipoussière pour ouvrir le clapet du bac et videz-le. [6]
3. Appuyez sur le bouton de déverrouillage de la batterie et retirez le bloc batterie. [3]
4. Appuyez sur le bouton de déverrouillage du bac à poussière et retirez-le du corps principal. [7]
5. Tournez le cadre du filtre à mailles dans le sens antihoraire et retirez-le du produit. [8]
6. Appuyez sur le bouton de déverrouillage du filtre d'évacuation pour le retirer. [9]
7. Retirez l'éponge du filtre d'évacuation et sortez le filtre d'évacuation de son cadre. [10]
8. Lors du nettoyage du filtre d'évacuation, lavez le cadre du filtre d'évacuation dans de l'eau tiède et laissez-le sécher pendant 24 heures. Veuillez vous assurer que toutes les pièces sont complètement sèches avant des les remonter. [11, 12]
9. Lors du nettoyage du cyclone simple, lavez le filtre à mailles et le bac à poussière dans de l'eau tiède et laissez-les sécher pendant 24 heures. Veuillez vous assurer que toutes les pièces sont complètement sèches avant des les remonter. [11, 12]
10. Assurez-vous que c'est complètement sec avant de la remettre dans le corps principal du nettoyeur. [12]

REMARQUE : N'utilisez pas d'eau chaude ou de détergents pour laver les filtres. Dans le cas peu probable où les filtres seraient endommagés, remplacez-les par des filtres de la marque Hoover. Ne tentez pas d'utiliser le produit sans avoir monté le filtre.

IMPORTANT : Pour des performances optimales, conservez le filtre propre. Nous recommandons que le filtre soit lavé au moins une fois par mois.

Changement et nettoyage du rouleau pour sol intense

IMPORTANT : Arrêtez toujours l'appareil et retirez le bloc batterie amovible avant de changer ou de nettoyer l'agitateur.

1. Détachez la brosse du tube. [14]
2. Placez la brosse avec le rouleau pour sol intense face à vous. Tirez le commutateur de système de déverrouillage de l'agitateur vers le haut et retirez le rouleau pour sol intense. [15a]
3. Retirez tous les débris, fibres et poils du rouleau pour sol intense à l'aide de ciseaux. [15b]
4. Insérez à nouveau le rouleau pour sol intense et remettez le système de déverrouillage de l'agitateur en place. [15c]

Remplacement des batteries

Cet aspirateur est équipé d'une batterie rechargeable Lithium-ion amovible qui est remplaçable. De plus, vous pouvez charger la batterie lorsqu'elle est en dehors du produit.

MISE EN GARDE : Utilisez uniquement les pièces de rechange approuvées pour votre aspirateur. L'utilisation de pièces non approuvées par Hoover est dangereuse et invalidera votre garantie.

MISE EN GARDE : N'essayez pas d'ouvrir le bloc batterie amovible pour le réparer vous-même.

* Sur certains modèles uniquement

1. Appuyez sur le bouton de déverrouillage du bloc batterie et il pourra ainsi être retiré du corps principal.
2. Enlevez l'ancien bloc batterie amovible et remplacez-le par un nouveau.
3. Mettez les batteries à la poubelle, dans un endroit sûr. Des batteries usées doivent être amenées à un point de recyclage et non pas être éliminées avec les ordures ménagères.

DEPANNAGE

Si vous avez des problèmes avec votre nettoyeur, suivez cette simple liste de vérification avant d'appeler le service clientèle Hoover :

A. L'aspirateur ne s'allume pas

Veillez vérifier si le bloc batterie est chargé.

Vérifiez que la batterie est bien en place.

B. Aspiration insuffisante ou pas d'aspiration du tout

Videz le bac à poussière et nettoyez le filtre à mailles et le séparateur de cyclone.

Enlevez la brosse et vérifiez qu'il n'y a pas de blocages dans les conduites.

C. La batterie ne peut pas se charger

Assurez-vous que l'interrupteur du mode continu n'est pas actionné étant donné que la batterie n'aura pas chargé. Cela peut être dû à un manque d'utilisation ou à une longue période de stockage. Contactez le service clientèle Hoover pour effectuer le changement de batterie. Si le problème persiste, contactez le service clientèle Hoover.

PIÈCES DÉTACHÉES ET CONSOMMABLES HOOVER

Toujours remplacer les pièces par des pièces détachées de la marque Hoover. Celles-ci sont disponibles auprès de votre revendeur Hoover. Lors de la commande de pièces, veuillez toujours préciser le numéro de votre modèle.

VOTRE GARANTIE

Les conditions de garantie de cet appareil sont définies par notre représentant dans le pays où il est vendu et peuvent être obtenues auprès de votre revendeur. Les détails concernant ces conditions peuvent être obtenues auprès du revendeur auprès duquel l'appareil a été acheté. La facture d'achat ou le reçu doivent être présentés pour toutes réclamations relevant des conditions de cette garantie.

IMPORTANT : La batterie de cet aspirateur est garantie 6 mois à compter de la date d'achat. Passés les six mois, le client est responsable du coût d'acquisition d'une nouvelle batterie.

Ces conditions peuvent être modifiées sans préavis.

HINWEISE FÜR DIE SICHERE BENUTZUNG

Dieses Gerät ist nur zum Gebrauch im Haushalt und nicht für gewerbliche Zwecke bestimmt. Sie sollten das Gerät ausschließlich gemäß den Angaben in dieser Bedienungsanleitung verwenden. Vor dem Gebrauch des Gerätes muss die vorliegende Bedienungsanleitung vollständig gelesen und verstanden worden sein.

Schalten Sie das Gerät immer aus und ziehen den Stecker des Ladegerätes, bevor Sie das Gerät reinigen oder irgendwelche Wartungsarbeiten durchführen.

Dieses Gerät darf von Kindern ab 8 Jahren, sowie körperlich, geistig oder sensorisch behinderten Personen bzw. Personen ohne Erfahrung und Kenntnisse im Gebrauch nur unter Aufsicht oder unter Anleitung für die sichere Benutzung und den damit verbundenen Gefahren benutzt werden. Kinder sollten nicht unbeaufsichtigt mit dem Gerät spielen. Reinigungs- und Wartungsarbeiten dürfen von Kindern nur unter Aufsicht ausgeführt werden.

Ist das Netzkabel beschädigt, darf das Gerät NICHT mehr benutzt werden. Im Falle eines Defektes, darf das Netzkabel nur durch einen autorisierten Hoover-Kundendiensttechniker ausgetauscht werden.

Hände, Füße, lose Kleidung und Haare von den rotierenden Bürsten fernhalten.

Verwenden Sie nur das Originalladegerät, das mit dem Gerät geliefert wurde.

Stellen Sie sicher, dass die Versorgungsspannung mit der auf dem Ladegerät angegebenen Spannung übereinstimmt.

Dieses Haushaltsgerät von Hoover wird mit einem schutzisolierten Batterieladegerät geliefert, welches ausschließlich für 220-230 V (GB 240 V) Steckdosen geeignet ist.

Stecken Sie das Netzteil in eine geeignete Steckdose und schließen Sie den Stecker am Gerät an.

Zum Aufladen muss der Ein-/Ausschalter des Gerätes auf AUS geschaltet werden.

Laden Sie die Akkus des Gerätes vor der ersten Benutzung mindestens 24 Stunden lang auf. Die Akku-LED-Leuchte leuchtet während des Ladevorgangs ROT und nach dem Aufladen WEISS.

Schließen Sie das Gerät nach der Benutzung wieder an das Netzteil an, um die Akkus wieder aufzuladen.

Akkus niemals bei Temperaturen über 37°C oder unter 0°C aufladen!

Es ist normal, dass sich das Ladegerät während des Ladevorgangs erwärmt.

Ziehen Sie den Netzstecker des Ladegerätes NIEMALS durch Ziehen am Kabel heraus.

Ziehen Sie im Fall einer längeren Abwesenheit, z.B. Urlaub usw. den Stecker des Ladegerätes aus der Steckdose. Laden Sie nach einer längeren Zeit der Lagerung/Nichtbenutzung das Gerät vor der erneuten Benutzung wieder komplett auf, da sich die Akkus von selber entladen können.

Wenn das Gerät entsorgt wird, müssen zuvor die Akkus entfernt werden. Das Gerät muss von der Stromnetz getrennt sein, wenn die Akkus entnommen werden. Entsorgen Sie die Akkus ordnungsgemäß. Lassen Sie das Gerät laufen, bis die Akkus leer sind und es von selber stoppt. Gebrauchte Akkus sollten zum Recycling zurückgegeben und nicht mit dem Hausmüll entsorgt werden. Um die Akkus herauszunehmen, wenden Sie sich bitte an das Hoover-Kundendienst oder führen Sie folgende Schritte aus.

WICHTIG: Entladen Sie die Akkus zunächst vollständig, bevor Sie diese herausnehmen und vergewissern sich, dass das Ladegerät nicht angeschlossen ist.

Lassen Sie dafür das Gerät laufen, bis die Akkus vollständig entladen sind. Ziehen Sie den Stecker des Ladegeräts aus dem Gerät.

Drücken Sie die Freigabetaste des Akkus und schieben Sie ihn heraus, um ihn zu entnehmen. [3]

Hinweis: Sollten Sie irgendwelche Schwierigkeiten beim Auseinandernehmen des Gerätes haben oder detailliertere Informationen zur Behandlung, Reparatur oder zum Recycling des Geräts benötigen, kontaktieren Sie bitte Ihre Stadtverwaltung oder den lokalen Entsorgungsdienst für Haushaltsabfälle.

Verwenden Sie nur Zubehör, Verbrauchsmaterial oder Ersatzteile, die von Hoover empfohlen oder geliefert werden.

Statische Aufladung: Manche Teppiche können die Bildung statischer Elektrizität verursachen. Diese ist jedoch sehr gering und bei Entladung nicht gesundheitsschädlich.

Benutzen Sie das Gerät nicht im Freien, auf nassen Oberflächen oder zur Aufnahme von feuchtem Schmutz.

Vermeiden Sie es, harte oder scharfe Gegenstände, Streichhölzer, heiße Asche, Zigarettenkippen oder Ähnliches aufzusaugen. Niemals entzündliche Flüssigkeiten, Reinigungsmittel, Aerosole oder deren Dämpfe auf das Gerät sprühen oder damit aufsaugen.

Während des Betriebs nicht über das Netzkabel fahren. Nicht am Kabel ziehen, um den Gerätestecker aus der Steckdose zu ziehen. Stellen Sie die Verwendung des Gerätes oder des Ladegerätes ein, wenn ein Defekt vermutet wird.

Hoover-Kundendienst: Um auf Dauer den sicheren und effizienten Betrieb dieses Gerätes zu gewährleisten, empfehlen wir, Wartungs- und Reparaturarbeiten ausschließlich von einem zugelassenen Hoover-Kundendiensttechniker durchführen zu lassen.

Benutzen Sie das Gerät nicht zur Reinigung von Menschen oder Tieren.
Ersetzen Sie die Akkus nicht durch Einwegbatterien.

Umweltschutz:

Dieses Elektrohaushaltsgerät ist entsprechend der EU-Richtlinie 2011/65/EC über Elektro- und Elektronik-Altgeräte (WEEE) gekennzeichnet. Durch die sichere und umweltgerechte Entsorgung dieses Produkts tragen Sie dazu bei, mögliche negative Auswirkungen auf die Umwelt und die Gesundheit des Menschen zu verhindern. Das am Produkt angebrachte Symbol gibt an, dass dieses Produkt nicht als Hausmüll behandelt werden darf, sondern an einer entsprechenden Sammelstelle für das Recycling von elektrischen und elektronischen Geräten zu entsorgen ist. Die Entsorgung ist in Übereinstimmung mit allen geltenden Vorschriften für die umweltgerechte Abfallentsorgung vorzunehmen. Ausführlichere Informationen über die Müllbehandlung und das Recycling dieses Produktes erhalten Sie von der zuständigen Umweltbehörde, der Müllentsorgungstelle Ihrer Kommune oder dem Händler, bei dem Sie das Produkt erworben haben.



Dieses Gerät erfüllt die Europäischen Richtlinien 2014/35/EG, 2014/30/EG und 2011/65/EG.

CANDY HOOVER GROUP S.r.l. Via Privata Eden Fumagalli, 20861 Brugherio (MB) Italy

PRODUKTBESTANDTEILE

- | | |
|--|---------------------------------|
| A. Gerätechassis | S. Abluftfilter |
| B. Integrierter Möbelpinsel | T. Schwamm |
| C. Entriegelungsknopf für Rohr | U. Abluftfilterrahmen |
| D. Rohr | V. Akku-LED-Leuchte |
| E. Taste zum Entfernen der Bodendüse | W. Akku-Freigabetaste |
| F. Bodendüse | X. Akku |
| G. Bodendüse mit LED-Beleuchtung | Y. Ladegerät |
| H. Bürstwalzen-Freigabeklappe | Z. Wandhalterung * |
| I. Intense Floor Roller | AA. Schraubstecker * |
| J. Schaumstofffilter | AB. Fugendüse |
| K. Einzel-Zyklon | AC. Zubehöradapter * |
| L. Staubbehälter | AD. Rüsseldüse * |
| M. Entriegelungsknopf für Staubklappe | AE. Heizkörperdüse * |
| N. Taste zur Entfernung des Staubbehälters | AF. Tiefenreinigungsbürste * |
| O. Fugendüsen-Abdeckklappe | AG. Miniturbodüse * |
| P. Hauptschalter | AH. Lange, flexible Fugendüse * |
| Q. Schalthebel | AI. Zubehörtasche * |
| R. Abluftfilter-Freigabetasten | |

VORBEREITUNG DES STAUBSAUGERS

1. Schieben Sie den Düsenkopf auf ein Ende des Rohres bis Sie ein „Klicken“ hören. **[1a]**
2. Schieben Sie das andere Ende des Rohres in die Handeinheit bis Sie ein „Klicken“ hören. **[1b]**
3. Befestigen Sie die Wandhalterung mit den mitgelieferten Schrauben und Dübeln an der Wand. **[2]**
4. Um das Gerät vollständig aufzuladen, stecken Sie den Stecker des Ladegeräts in den abnehmbaren Akku. Das dauert etwa 6 Stunden. **[2,3]**

HINWEIS: Zum Abnehmen der Bodendüse drücken Sie auf die Düsenfreigabetaste und ziehen diese ab.

HINWEIS: Verwenden Sie zum Aufladen nur das mit dem Gerät mitgelieferte Ladegerät.

WICHTIG: Zum Aufladen muss der Ein/Aus-Schalter des Staubsaugers auf die Position AUS geschaltet werden. Sie können den abnehmbaren Akku auch aufladen, wenn Sie ihn vom Gerät abnehmen.

Es ist normal, dass sich das Ladegerät während des Ladevorgangs erwärmt.

* Geräteausstattung ist modellabhängig

GEBRAUCH DES GERÄTES

Es gibt drei Betriebsarten:

- **TURBO-MODUS:** Das Gerät startet, wenn Sie bei eingeschalteter Bürstwalze auf den EIN/AUS-Schalter drücken, mit voller Leistung und stoppt, wenn Sie den Schalter wieder losgelassen. **[4a]**
- **ENERGIESPARMODUS:** Das Gerät startet, wenn Sie bei eingeschalteter Bürstwalze den EIN/AUS-Schalter 2 Mal hintereinander drücken, mit minimaler Leistung und stoppt, wenn Sie den Schalter wieder losgelassen. **[4b]**
- **KONTINUIERLICHER Modus** Um den Dauerbetrieb einzuschalten, drücken Sie den Hebel zurück, bis er einrastet. Es wird empfohlen, den Dauerbetrieb nach jeder Benutzung auszuschalten. Drücken Sie hierzu den Hebel einfach nach vorne in die entriegelte Position. **[4b]**

WICHTIG: Achten Sie nach jedem Gebrauch des Geräts darauf, dass der Schalthebel nach vorne in die entriegelte Position gedrückt ist.

Andernfalls kann es zu einer Verringerung der Batterielebensdauer oder zu einem Ausfall kommen.

SICHERHEITSSCHUTZSYSTEM

Um zu gewährleisten, dass die Zuverlässigkeit des Geräts bei Gebrauch unter schwierigen Bedingungen nicht beeinträchtigt wird, wurde das Gerät mit einem integrierten Sicherheitsschutzsystem ausgestattet. **[13]**

HINWEIS: Das Sicherheitsschutzsystem wird aktiv, wenn die Bürstwalze verstopft oder blockiert ist. Die Bürstwalze hört auf zu rotieren und die weiße LED vorne auf der Düse schaltet sich aus. Wenn dies geschieht, schalten Sie einfach Ihr Gerät aus und beseitigen Sie das Hindernis an der Bürstwalze. Um weiter zu reinigen, drücken Sie die Ein-/Aus-Taste und das Gerät startet wieder im Turbo-Modus.

BATTERIE

LED-ANZEIGE:

Der Staubsauger ist mit einer Akku-Status-LED-Leuchte ausgestattet.

AKKULADEZUSTAND:

Weiß: 100% - 5% Laden

Blinkt weiß: < 5% Laden

Rot: Während dem Aufladen

Es gibt 2 Lademethoden:

Laden Sie den Akku auf, wenn er am Gerät befestigt ist. **[2]**

Stecken Sie den Stecker des Ladegeräts in den Akku. Die LED-Statusanzeige leuchtet während des Ladevorgangs ROT. Nach Abschluss des Ladevorgangs leuchtet die LED-Anzeige WEISS.

Laden Sie den Akku auf, wenn Sie ihn aus dem Gerät genommen haben. **[3]**

Nehmen Sie den Akku aus dem Gerät. Drücken Sie hierzu Akkufreigabetaste.

Stecken Sie den Stecker des Ladegeräts in den Akku. Die Akku-LED leuchtet beim Laden ROT. Nach Abschluss des Ladevorgangs leuchtet die LED-Anzeige WEISS.

HINWEIS: Es ist normal, dass sich das Ladegerät während des Ladevorgangs erwärmt. Verwenden Sie zum Aufladen nur das mit dem Staubsauger mitgelieferte Ladegerät.

HINWEIS: Wenn Sie den Staubsauger über einen längeren Zeitraum nicht verwenden möchten, nehmen Sie bitte den Akku aus dem Staubsauger, um die Akku-Lebensdauer zu erhalten.

ZUBEHÖR*

FUGENDÜSE AM GERÄT, INTEGRIERTER MÖBELPINSEL, MINITURBODÜSE*, ZUBEHÖRADAPTER*, RÜSSELDÜSE*, HEIZKÖRPERDÜSE*, TIEFENREINIGUNGSBÜRSTE* UND LANGE, FLEXIBLE FUGENDÜSE*.

Das gesamte Zubehör kann am Hauptprodukt und am Rohr befestigt werden. **[5]**

HINWEIS: Um die Düse oder den Gerätekörper vom Rohr zu lösen, drücken Sie die entsprechende Freigabetaste und ziehen Sie die Teile auseinander.

HEIZKÖRPERDÜSE* / TIEFENREINIGUNGSBÜRSTE*/ RÜSSELDÜSE*

Bei drei der oben genannten Zubehörteile muss der Zubehöradapter* benutzt werden. **[5]**

HINWEIS: Es gibt nur eine Möglichkeit, die Fugendüse im Gerätekörper aufzubewahren. Richten Sie den Schlitz auf der Fugendüse auf den Pfeil auf dem Gerätekörper aus und drücken Sie die Fugendüse in den Gerätekörper. **[16]**

* Geräteausstattung ist modellabhängig

HINWEIS: Die Miniturbodüse ist ideal für die tiefe Reinigung von Textiloberflächen (z.B. Sofas) und zum Entfernen von Tierhaaren. Bewegen Sie ihn kontinuierlich rückwärts und vorwärts. Entfernen Sie nach dem Gebrauch auf der Bürste angesammelte Haare/Fäden nach Bedarf mit einer Schere.

HINWEIS: Mit der Rüsseldüse können Sie einfach in der Höhe und schwer erreichbare Bereiche, sowie empfindliche Oberflächen reinigen, ohne Kratzer zu hinterlassen.

HINWEIS: Die Heizkörperbürste ist ideal für die Reinigung von Heizkörpern, Jalousien, dem Schrankinneren und vielem mehr.

HINWEIS: Die Tiefenreinigungsbürste ist hilfreich bei der Reinigung von engen Bereichen, ohne dabei die Oberflächen zu zerkratzen, beispielsweise in Ihrem Auto.

HINWEIS: Die lange, flexible Fugendüse ist ideal für die Reinigung von schwer erreichbaren Bereichen, unter Möbeln und in Ihrem Auto.

ZUBEHÖRTASCHE*

Alles weitere Zubehör kann in der Zubehörtasche aufbewahrt werden.

WANDHALTERUNG*

Zur Aufbewahrung und um Platz zu sparen kann die Halterung für Ihr Gerät mit den drei mitgelieferten Schrauben und Dübeln an der Wand befestigt werden. [2]

WARTUNG DES GERÄTES

Leeren des Staubbehälters

1. Drücken Sie auf die Freigabetaste für das Rohr und nehmen Sie das Rohr ab.
2. Drücken Sie auf die Freigabetaste für die Staubklappe, um die Staubbehälterklappe zu öffnen und den Inhalt aus dem Behälter zu entleeren. [6]
3. Schließen Sie die Staubfangteller. Sie werden ein Klicken hören, wenn dieser vollständig verschlossen ist.

HINWEIS: Es wird empfohlen den Staubfangteller nach jedem Gebrauch, oder wenn der Staub bis zur maximalen Fülllinie reicht, zu entleeren.

Reinigen Sie den Staubbehälter und den Filter.

1. Drücken Sie auf die Freigabetaste für das Rohr und nehmen Sie das Rohr ab.
2. Drücken Sie auf die Freigabetaste für die Staubklappe, um die Staubbehälterklappe zu öffnen und den Inhalt aus dem Behälter zu entleeren. [6]
3. Drücken Sie die Akku-Freigabetaste und nehmen Sie den Akku ab. [3]
4. Drücken Sie die Freigabetaste des Staubbehälters und nehmen den Staubbehälter aus dem Gerätekorpus heraus. [7]
5. Drehen Sie den Gitter-Filterrahmen im Uhrzeigersinn und entfernen Sie ihn vom Produkt. [8]
6. Drücken Sie die Freigabetasten des Abgasfilters, um den Abgasfilter zu entfernen. [9]
7. Nehmen Sie den Schwamm vom Abluftfilter ab und nehmen Sie den Abluftfilter aus seinem Rahmen. [10]
8. Waschen Sie beim Reinigen des Abluftfilters den Schwamm und den Abluftfilterrahmen mit lauwarmem Wasser und lassen Sie beide 24 Stunden lang trocknen. Bitte stellen Sie vor dem Zusammenbau sicher, dass alle Teile vollständig getrocknet sind. [11, 12]
9. Waschen Sie beim Reinigen des Einzel-Zyklons den inneren Siebfilter und den Staubbehälter mit lauwarmem Wasser und lassen beide 24 Stunden lang trocknen. Bitte stellen Sie vor dem Zusammenbau sicher, dass alle Teile vollständig getrocknet sind. [11, 12]
10. Vergewissern Sie sich, dass der Behälter vollständig getrocknet ist, bevor er wieder im Gerät eingesetzt wird. [12]

HINWEIS: Verwenden Sie kein heißes Wasser oder Reinigungsmittel zum Reinigen des Filters. Sollte der Filter beschädigt sein, bitte nur gegen einen Hoover-Originalfilter austauschen. Versuchen Sie nicht, das Gerät ohne eingesetzten Filter zu benutzen.

WICHTIG: Halten Sie den Filter für optimale Leistung immer sauber. Wir empfehlen, den Filter je nach Nutzungshäufigkeit mindestens einmal pro Monat zu reinigen.

Intense Floor Roller austauschen und reinigen

WICHTIG: Schalten Sie, bevor Sie die Bürstwalze austauschen oder reinigen, immer den Staubsauger aus und nehmen Sie den austauschbaren Akku ab.

1. Nehmen Sie die Düse vom Rohr ab. [14]
2. Positionieren Sie die Düse so, dass die Intense Floor Roller zu Ihnen zeigt. Ziehen Sie den Hebel der Intense Floor Roller nach oben und nehmen Sie die Intense Floor Roller heraus. [15a]
3. Entfernen Sie alle Rückstände, Fasern und Haare mit Hilfe einer Schere von der Intense Floor Roller. [15b]
4. Setzen Sie die Intense Floor Roller wieder ein und legen Sie die Bürstwalze wieder zurück in ihre Position. [15c]

* Geräteausstattung ist modellabhängig

Batterien auswechseln

Dieser Staubsauger ist mit einem wiederaufladbaren, austauschbaren Lithium-Ionen-Akku ausgestattet. Darüber hinaus kann der Akku auch außerhalb vom Gerät geladen werden.

WARNUNG: Verwenden Sie nur Hoover Originalersatzteile für Ihren Staubsauger. Das Verwenden von Teilen, die nicht von Hoover zugelassen wurden, ist gefährlich und führt eventuell dazu, dass Ihre Garantie erlischt.

WARNUNG: Versuchen Sie nicht den abnehmbaren Akku zu öffnen und selbst zu reparieren.

1. Drücken Sie die Akku-Freigabetasten und nehmen Sie den Akku aus dem Gerätekorpus.
2. Nehmen Sie den alten austauschbaren Akku heraus und ersetzen Sie ihn durch den Neuen.
3. Entsorgen Sie die Akkus ordnungsgemäß. Gebrauchte Akkus sollten zum Recycling zurückgegeben und nicht mit dem Hausmüll entsorgt werden.

FEHLERBEHEBUNG

Falls Sie ein Problem mit Ihrem Gerät haben, befolgen Sie, bevor Sie den Hoover-Kundendienst kontaktieren, bitte folgende einfache Checkliste:

A. Das Gerät lässt sich nicht einschalten

Überprüfen Sie, ob der Akku geladen ist.

Überprüfen Sie, ob der Akku richtig eingesetzt ist.

B. Niedrige Saugleistung oder das Gerät saugt überhaupt nichts an.

Entleeren Sie den Staubfangteller und waschen Sie den Schaumstofffilter und den Zyklon-Separator.

Entfernen Sie die Düse und überprüfen Sie diese auf Verstopfungen.

C. Die Akkus können nicht aufgeladen werden

Der Dauerbetrieb-Schalter sollte nicht betätigt werden, weil der Akku noch nicht geladen wurde. Dies kann auch geschehen, wenn das Gerät längere Zeit nicht benutzt oder gelagert wurde. Wenden Sie sich bitte an den Hoover-Kundendienst, um einen Austausch der Akkus zu veranlassen. Wenn das Problem weiterhin besteht, wenden Sie sich bitte an den Hoover-Kundendienst.

HOOVER ORIGINAL-ERSATZTEILE UND VERBRAUCHSARTIKEL

Verwenden Sie stets Originalersatzteile von Hoover. Diese sind über den Hoover-Kundendienst erhältlich. Geben Sie bei der Bestellung von Ersatzteilen bitte stets die komplette 16stellige Artikelnummer (Typenplakette auf der Rückseite des Gerätes) Ihres Gerätemodells an.

GARANTIEERKLÄRUNG

Die Garantiebestimmungen für dieses Gerät entsprechen den Richtlinien des Landes, in dem Sie das Gerät erworben haben. Weitere Einzelheiten dazu erhalten Sie vom Händler, bei dem Sie das Gerät erworben haben oder aus dem roten Garantieheft, das der Verpackung beiliegt. Bitte bewahren Sie den Kaufbeleg sorgfältig auf, denn er wird für eventuell auftretende Garantieansprüche benötigt.

WICHTIG: Für die Akkuzellen in diesem Staubsauger beträgt die Garantie sechs Monate ab Kaufdatum. Nach Ablauf der 6 Monate trägt der Kunde die Kosten für einen neuen Akku.

Änderungen vorbehalten.

ISTRUZIONI PER UN USO SICURO

Questo apparecchio deve essere utilizzato esclusivamente in ambito domestico per interventi di pulizia, secondo le istruzioni riportate nel presente documento. Accertarsi di aver compreso le istruzioni prima di mettere in funzione l'apparecchio.

Prima di procedere alla pulizia dell'apparecchio o effettuare qualsiasi operazione di manutenzione, spegnerlo sempre e rimuovere il caricatore dalla presa.

Questo elettrodomestico non è destinato a essere utilizzato da persone dalle ridotte capacità fisiche, sensoriali o mentali (bambini inclusi), senza una adeguata assistenza o controllo da parte di una persona adulta responsabile della loro sicurezza. Controllare che i bambini non giochino con l'apparecchio. Pulizia e manutenzione non possono essere eseguite da bambini senza sorveglianza da parte di una persona responsabile.

Se il cavo di alimentazione è danneggiato, interrompere immediatamente l'utilizzo dell'apparecchio. Per evitare pericoli, il cavo di alimentazione dovrà essere sostituito da un tecnico del servizio assistenza autorizzato Hoover.

Tenere le mani, i piedi, i capi di abbigliamento non attillati e i capelli lontani dalle spazzole rotanti.

Per ricaricare l'apparecchio, usare solo il caricatore in dotazione.

Controllare che il voltaggio indicato sul caricatore corrisponda alla vostra tensione di alimentazione.

Questo prodotto Hoover è dotato di un caricabatteria doppio isolato che può essere collegato unicamente a una presa 230V (UK 240V).

Inserire la spina del caricatore in una presa adatta e collegare il connettore jack del caricatore all'apparecchio.

Durante la carica, la leva dell'interruttore di accensione/spegnimento (On/Off) dell'apparecchio deve trovarsi in posizione Off.

Al primo utilizzo caricare l'apparecchio per almeno 24 ore. Durante la ricarica il LED della batteria si illumina di colore ROSSO e ritornerà di colore BIANCO a carica completamente terminata.

Dopo l'uso, ricollegare l'apparecchio al caricatore per ricaricare le batterie.

Mai caricare le batterie a temperature superiori ai 37 °C o inferiori a 0 °C.

È normale che il caricatore si scaldi mentre è in funzione.

Non scollegare il caricatore tirando il cavo.

Scollegare il caricatore in caso di assenza prolungata (ferie, ecc.). Dopo lunghi periodi di inutilizzo ricaricare l'apparecchio perchè le batterie potrebbero essersi scaricate automaticamente.

Se l'apparecchio è da smaltire, le batterie devono prima essere rimosse. Rimuovere la batteria solo quando l'apparecchio è scollegato dalla rete di alimentazione. Smaltire le batterie in sicurezza. Far funzionare l'apparecchio fino al suo arresto ed assicurarsi che le batterie siano completamente scariche. Le batterie usate devono essere riposte in un centro di riciclaggio e non smaltite con i rifiuti domestici. Per rimuovere le batterie, si prega di contattare il Centro Servizi per Assistenza Clienti Hoover o procedere in base alle seguenti istruzioni.

IMPORTANTE: Scaricare sempre completamente le batterie prima della rimozione ed assicurarsi che il caricatore sia scollegato.

Procedere con la pulizia fino a quando le batterie sono completamente scariche.

Rimuovere il connettore jack per la ricarica dall'apparecchio.

Premere il pulsante di rilascio per far scorrere la batteria ed estrarla. **[3]**

Nota: Se si riscontrano difficoltà a smantellare l'unità o per informazioni più dettagliate sul trattamento, recupero e riciclaggio di questo apparecchio, si prega di contattare l'ufficio comunale per il servizio smaltimento rifiuti.

Utilizzare solo accessori o parti di consumo e di ricambio consigliati o forniti da HOOVER.

Elettricità statica: Alcuni tappeti possono produrre un piccolo accumulo di elettricità statica. Le cariche di elettricità statica non sono pericolose per la salute.

Non utilizzare l'apparecchio all'aperto, su superfici bagnate o per aspirare liquidi.

Non aspirare oggetti solidi o appuntiti, fiammiferi, ceneri calde, mozziconi di sigaretta o simili. Non vaporizzare o aspirare liquidi infiammabili, detergenti, aerosol o i loro vapori.

Non calpestare il cavo di alimentazione durante l'utilizzo dell'apparecchio o scollegare la spina dalla presa tirando il cavo di alimentazione. Non continuare a utilizzare l'apparecchio o il caricatore in caso di presunto guasto.

Assistenza Hoover: per garantire un funzionamento sempre sicuro ed efficiente dell'apparecchiatura, si consiglia di fare eseguire eventuali interventi di assistenza o di riparazione dai tecnici del servizio assistenza autorizzato Hoover.

Non utilizzare l'apparecchio per l'igiene della persona o degli animali.

Non sostituire le batterie con batterie non ricaricabili

Ambiente:

L'apparecchio è contrassegnato in conformità con la Direttiva Europea 2011/65/EC sulla gestione dei rifiuti da apparecchiature elettriche ed elettroniche. Garantendo il corretto smaltimento del prodotto, il cliente contribuisce alla salvaguardia della salute delle persone e alla protezione dell'ambiente che potrebbero altrimenti essere compromessi da uno smaltimento eseguito in maniera non idonea. Il simbolo apposto sul prodotto indica che lo stesso non può essere smaltito come i normali rifiuti domestici, bensì deve essere portato al punto di raccolta o al centro di riciclaggio delle apparecchiature elettriche ed elettroniche più vicino. Lo smaltimento deve essere eseguito in conformità alle normative locali vigenti per la salvaguardia dell'ambiente e lo smaltimento dei rifiuti. Per ulteriori informazioni sul trattamento, il recupero e il riciclaggio di questo prodotto, contattare l'unità territoriale competente per il servizio di smaltimento o il negozio in cui il prodotto è stato acquistato.



Questo prodotto è conforme alle Direttive Europee 2014/35/EU, 2014/30/EU e 2011/65/EU.

CANDY HOOVER GROUP S.r.l. Via Privata Eden Fumagalli, 20861 Brugherio (MB) Italy

COMPONENTI DELL'APPARECCHIO

- | | |
|---|---|
| A. Corpo principale dell'apparecchio | S. Filtro in uscita |
| B. Spazzola a pennello integrata | T. Spugna |
| C. Pulsante di sgancio tubo | U. Telaio filtro in uscita |
| D. Tubo | V. Spia led della batteria |
| E. Pulsante rilascio spazzola | W. Pulsante di rilascio batteria |
| F. Spazzola | X. Batteria |
| G. Luci frontali a led | Y. Caricatore |
| H. Levetta per rilascio dell'agitatore | Z. Supporto a Parete * |
| I. Agitatore Intense Floor | AA. Viti con tasselli * |
| J. Filtro a rete | AB. Bocchetta per fessure |
| K. Mono ciclone | AC. Adattatore accessori * |
| L. Contenitore raccogli-polvere | AD. Accessorio multifunzione per la pulizia di superfici alte * |
| M. Leva di sblocco dello sportello contenitore raccogli-polvere | AE. Accessorio per termosifoni * |
| N. Leva sblocco contenitore raccogli-polvere | AF. Spazzola per una pulizia profonda * |
| O. Protezione bocchetta per fessure | AG. Mini Turbospazzola * |
| P. Interruttore ON/OFF | AH. Bocchetta flessibile lunga per fessure * |
| Q. Leva interruttore | AI. Borsa Accessori* |
| R. Pulsanti di rilascio filtro in uscita | |

PREPARAZIONE DELL'APPARECCHIO

- Inserire la spazzola principale in una estremità del tubo fino a sentire un "click". **[1a]**
- Inserire l'altra parte del tubo nel portatile fino a sentire un "click". **[1b]**
- Fissare il supporto a muro utilizzando le viti e i tasselli forniti. **[2]**
- Inserire il connettore jack del caricatore al set batteria rimovibile per caricare completamente l'apparecchio. Questo richiederà circa 6 ore. **[2,3]**

NOTA: Premere il pulsante di rilascio spazzola per rimuovere la spazzola e staccarla dal corpo principale dall'apparecchio.

NOTA: Per ricaricare l'apparecchio, usare solo il caricatore in dotazione.

IMPORTANTE: Durante la carica, la leva di accensione/spengimento dell'apparecchio deve trovarsi in posizione OFF. È possibile caricare la batteria estraibile anche quando non è inserita nell'apparecchio.

È normale che il caricatore si scaldi mentre è in funzione.

* Solo su alcuni modelli

UTILIZZO DELL'APPARECCHIO

L'apparecchio ha tre modalità di funzionamento:

- **MODALITÀ TURBO:** L'apparecchio entra in funzione a piena potenza con spazzola rotante in azione quando viene premuto l'interruttore ON/OFF e si ferma al rilascio. **[4a]**
- **MODALITÀ STANDARD:** L'apparecchio entra in funzione a bassa potenza con spazzola rotante in azione quando viene premuto l'interruttore ON/OFF 2 volte consecutivamente e si ferma al rilascio. **[4b]**
- **MODALITÀ CONTINUA:** Per inserire la modalità continua spingere indietro la leva fino a bloccarla. È consigliato disabilitare la modalità continua dopo ogni utilizzo, spingendo semplicemente in avanti la leva nella posizione di sblocco. **[4b]**

IMPORTANTE: Dopo ogni utilizzo dell'apparecchio, assicurarsi che venga spinta in avanti la leva dell'interruttore per portarla nella posizione di sblocco.

Se non lo si facesse si potrebbe danneggiare o compromettere la durata della batteria.

SISTEMA DI PROTEZIONE

Al fine di salvaguardare l'affidabilità del prodotto quando utilizzato in condizioni non corrette, il prodotto ha un sistema di protezione integrato. **[13]**

NOTA: Il Sistema di protezione si attiva quando la spazzola rotante è ostruita o si blocca, se ciò accade, la spazzola rotante si ferma e i Led bianchi sulla parte anteriore della spazzola si spengono. Se ciò dovesse accadere, spegnere semplicemente l'apparecchio e pulire la spazzola rotante dall'ostruzione. Per riprendere la pulizia, premere il pulsante on/off e l'apparecchio riprenderà a funzionare in modalità turbo.

BATTERIA

DISPLAY A LED:

Questo apparecchio è dotato di spie LED indicanti lo stato della batteria.

LIVELLO CARICA BATTERIA:

Colore bianco: 100% - 5% di carica

Colore bianco lampeggiante: < 5% di carica

Colore rosso: durante la ricarica

Ci sono 2 modalità di ricarica:

Caricare la batteria quando è installata sull'apparecchio. **[2]**

Inserire il jack del caricabatterie nella batteria. Il LED di stato batteria è di colore rosso durante la ricarica. A ricarica completata, la spia LED si illuminerà di colore bianco.

Caricare la batteria estratta dall'apparecchio. **[3]**

Estrarre la batteria dall'apparecchio premendo il pulsante di rilascio della batteria stessa.

Inserire il jack del caricabatterie nella batteria. Il LED di stato set batteria è di colore rosso durante la ricarica. A ricarica completata, la spia LED si illuminerà di colore bianco.

NOTA: È normale che il caricatore si scaldi mentre è in funzione. Usare solo il caricatore in dotazione.

NOTA: Se l'apparecchio non viene utilizzato regolarmente per un lungo periodo di tempo, rimuovere la batteria rimovibile dall'apparecchio per ottimizzarne la sua durata.

ACCESSORI*

BOCCHETTA PER FESSURE A BORDO, SPAZZOLA A PENNELLO INTEGRATA, MINI TURBOSPAZZOLA*, ADATTATORE ACCESSORI*, ACCESSORIO MULTIFUNZIONE*, ACCESSORIO PER TERMOSIFONI*, SPAZZOLA PER UNA PULIZIA PROFONDA* E LANCIA FLESSIBILE LUNGA*.

Tutti gli accessori possono essere inseriti nell'apparecchio principale o nel tubo. **[5]**

NOTA: Per rimuovere la spazzola o il corpo principale dell'apparecchio dal tubo, premere il rispettivo pulsante di rilascio e separarli.

ACCESSORIO PER TERMOSIFONI* / SPAZZOLA PER UNA PULIZIA PROFONDA* / ACCESSORIO MULTIFUNZIONE*

Per utilizzare questi 3 accessori è necessario assemblarli con l'adattatore* accessori. **[5]**

NOTA: C'è un solo modo per riporre la bocchetta per fessure nel corpo principale. Allineare la fessura della bocchetta con la freccia sul corpo principale e spingerla nel corpo principale stesso. **[16]**

* Solo su alcuni modelli

NOTA: La Mini Turbospazzola è ideale per la pulizia profonda di tessuti (come ad esempio divani) e per rimuovere i peli degli animali domestici. Passarla avanti e indietro regolarmente. Dopo l'uso, prestare attenzione e se necessario, rimuovere con delle forbici eventuali capelli o fili aggrovigliati nella spazzola.

NOTA: L'accessorio multifunzione è l'ideale per una facile pulizia delle superfici delicate, senza graffiarle, e quelle difficoltose da raggiungere.

NOTA: La bocchetta per radiatore è ideale per la pulizia intorno e nell'interno degli armadi, dei radiatori, delle tende e molto altro ancora.

NOTA: La spazzola per pulizia profonda è utile per pulire in spazi ristretti senza graffiarne le superfici e all'interno delle automobili.

NOTA: La bocchetta flessibile lunga per fessure è ideale per la pulizia di aree di difficile accesso, sotto i mobili e nelle automobili.

BORSA ACCESSORI*

Gli altri accessori possono essere riposti nella apposita borsa.

SUPPORTO A MURO*

Per lo stazionamento e risparmio di spazio, l'apparecchio può essere fissato al muro utilizzando le 3 viti e i tasselli forniti. [2]

MANUTENZIONE DELL'APPARECCHIO

Svuotamento del contenitore raccogli polvere

1. Premere il pulsante di rilascio tubo e rimuoverlo.
2. Premere il pulsante di rilascio sportello del raccogli polvere per aprire lo sportello del contenitore e svuotarne il contenuto. [6]
3. Chiudere la vaschetta raccogli polvere, si udirà un "click" quando completamente bloccata.

NOTA: Si consiglia di svuotare la vaschetta raccogli polvere dopo ogni utilizzo o quando la polvere supera il livello di riempimento massimo.

Pulizia del contenitore raccogli polvere e del filtro

1. Premere il pulsante di rilascio tubo e rimuoverlo.
2. Premere il pulsante di rilascio dello sportello del contenitore raccogli polvere per aprirlo e svuotarne il contenuto. [6]
3. Premere il pulsante di rilascio batteria ed estrarre il set batteria. [3]
4. Premere il pulsante di sblocco contenitore raccogli polvere e staccare quest'ultimo dal corpo principale. [7]
5. Ruotare il telaio del filtro a rete in senso antiorario ed estrarlo dall'apparecchio. [8]
6. Per estrarre il filtro in uscita premere i pulsanti di rilascio. [9]
7. Rimuovere la spugna dal filtro in uscita ed estrarre quest'ultimo dal suo telaio. [10]
8. Durante la pulizia del filtro in uscita, lavare la spugna e il telaio del filtro in uscita in acqua tiepida e lasciare asciugare per almeno 24 ore. Assicurarsi che tutti i componenti siano completamente asciutti prima di assemblarli. [11, 12]
9. Durante la pulizia dell'unità ciclonica singola, lavare il filtro a rete e il contenitore raccogli polvere in acqua tiepida e lasciare asciugare per almeno 24 ore. Assicurarsi che tutti i componenti siano completamente asciutti prima di assemblarli. [11, 12]
10. Prima di riposizionarlo nel corpo principale dell'apparecchio, accertarsi che sia completamente asciutto. [12]

NOTA: Non utilizzare acqua bollente o detersivi durante la pulizia dei filtri. Se i filtri vengono incidentalmente danneggiati, sostituirli con ricambi originali Hoover. Non utilizzare l'apparecchio senza aver montato il filtro.

IMPORTANTE: Per mantenere prestazioni ottimali, tenere sempre il filtro pulito. Si raccomanda di lavare il filtro almeno una volta al mese.

Cambio e pulizia Rullo Intense Floor

IMPORTANTE: Spegnerne sempre l'apparecchio ed estrarre il set batteria rimovibile prima di sostituire o pulire la turbospazzola.

1. Staccare la spazzola dal tubo. [14]
2. Posizionare il Rullo Intense Floor rivolgendolo verso di voi. Tirare la levetta del sistema di rilascio della turbospazzola e rimuovere il rullo Intense Floor. [15a]
3. Togliere ogni tipo di sporco, fibre e capelli dal Rullo Intense Floor con delle forbici. [15b]
4. Reinserrire il Rullo Intense Floor e posizionare correttamente il sistema di rilascio della turbospazzola. [15c]

Sostituzione delle batterie

L'apparecchio è dotato di un set di batterie rimovibile e ricaricabile agli ioni di litio e può essere sostituito. Inoltre, la batteria può essere caricata anche quando è estratta dal prodotto.

ATTENZIONE: Utilizzare solo parti di ricambio originali per il vostro apparecchio. L'uso di parti non originali Hoover può risultare pericoloso e invalida la garanzia.

ATTENZIONE: Non tentare di aprire o riparare il set batteria rimovibile.

* Solo su alcuni modelli

1. Premere il pulsante di rilascio del set batteria rimovibile per estrarlo dal corpo principale.
2. Estrarre il vecchio set batteria rimovibile e sostituirlo con uno nuovo.
3. Smaltire le batterie in sicurezza. Le batterie usate devono essere riposte in un centro di riciclaggio e non smaltite con i rifiuti domestici.

RISOLUZIONE DEI PROBLEMI

In caso di problemi con l'apparecchio, completare questa semplice lista prima di chiamare il Centro per l'Assistenza Clienti Hoover:

A. L'apparecchio non si accende

- Controllare che il pacco batteria sia carico.
- Controllare che il set di batterie sia posizionato correttamente.

B. Forza aspirante bassa o nulla

- Svuotare la il contenitore raccogli-polvere, lavare il filtro a rete e l'unità ciclonica.
- Rimuovere la spazzola e controllare eventuali ostruzioni nel condotto.

C. Le batterie non possono essere caricate

- La modalità continua non può essere attiva finché la batteria non è carica. Questo può verificarsi anche se l'apparecchio non è stato utilizzato o è stato riposto per un lungo periodo. Contattare un Centro per l'Assistenza Tecnica Hoover per la sostituzione delle batterie. Se il problema persiste, contattare il Centro per l'Assistenza Clienti Hoover più vicino.

INFORMAZIONI IMPORTANTI

PARTI DI RICAMBIO E DI CONSUMO HOOVER

Utilizzare sempre parti di ricambio originali Hoover. che è possibile acquistare dal distributore locale Hoover o direttamente sul sito internet Hoover. Quando si ordinano delle parti di ricambio, ricordarsi sempre di fornire il numero di modello dell'apparecchio utilizzato.

ASSISTENZA E GARANZIA HOOVER

Questo prodotto è garantito, oltre che ai sensi di legge, alle condizioni e nei termini riportati sul certificato di garanzia convenzionale inserito nel prodotto. Il certificato dovrà essere conservato e mostrato al nostro Centro di Assistenza Tecnica Autorizzato, in caso di necessità, insieme allo scontrino comprovante l'acquisto dell'elettrodomestico. Puoi consultare le condizioni di garanzia anche sul nostro sito internet Per ottenere assistenza compila l'apposito form on-line oppure contattaci al numero che trovi indicato nella pagina di assistenza del nostro sito internet Queste condizioni potrebbero venire modificate senza obbligo di preavviso.

INSTRUÇÕES PARA UMA UTILIZAÇÃO SEGURA

Este aparelho só deve ser utilizado para limpeza doméstica, conforme descrito neste guia do utilizador. Certifique-se de que este manual é totalmente compreendido antes de utilizar o aparelho.

Desligue sempre o aparelho e retire o carregador da tomada antes de limpar o aparelho ou efectuar qualquer tarefa de manutenção.

Este aparelho pode ser utilizado por crianças com idade igual ou superior a 8 anos e por pessoas com capacidades mentais, sensoriais e físicas reduzidas ou sem experiência e conhecimento caso lhes sejam fornecidas instruções e supervisão relativas à utilização do aparelho de modo seguro e caso compreendam os perigos envolvidos. As crianças não devem brincar com o aparelho. A limpeza e a manutenção não devem ser efectuada por crianças sem supervisão.

Se o cabo de alimentação estiver danificado deixe de utilizar o aparelho imediatamente. Para evitar um risco de segurança, o cabo de alimentação deve ser substituído por um técnico de assistência autorizado da Hoover.

Mantenha as mãos, os pés, as roupas largas e o cabelo longe das escovas rotativas.

Utilize apenas o carregador original fornecido com o aparelho.

Verifique que a tensão de alimentação corresponde à indicada no carregador.

Este electrodoméstico da Hoover vem com um carregador de baterias duplamente isolado que é apenas adequado para alimentação eléctrica de 230 V (240 V no Reino Unido).

Ligue o carregador a uma tomada eléctrica adequada e ligue a ficha do carregador ao electrodoméstico.

Ao carregar o aparelho, o interruptor de alimentação tem de estar na posição Off.

Antes da primeira utilização, carregue o aparelho durante, pelo menos, 24 horas. A luz LED do pack de baterias irá acender a VERMELHO durante o carregamento e irá acender a BRANCO quando totalmente carregado.

Volte a ligar o aparelho ao carregador depois da utilização para recarregar a bateria.

Nunca troque as baterias em temperaturas acima de 37°C ou abaixo de 0°C.

É normal que o carregador aqueça enquanto estiver a carregar.

Não desligue o carregador puxando o cabo.

Desligue o carregador em caso de ausência prolongada (férias, etc.). Recarregue novamente o produto antes de utilizar, pois a bateria pode descarregar durante longos períodos de armazenamento.

Se for necessário eliminar o aparelho, primeiro retire as baterias. O aparelho deve ser desligado da fonte de alimentação ao remover a bateria. Elimine as baterias em segurança. Deixe o aparelho em funcionamento até parar devido ao facto de as baterias estarem completamente descarregadas. As pilhas usadas devem ser levadas para uma estação de reciclagem e não devem ser colocadas no lixo doméstico. Para remover as baterias, contacte o centro de apoio ao cliente da Hoover ou prossiga de acordo com as instruções seguintes.

IMPORTANTE: Descarregue, sempre, na totalidade as baterias antes de as remover.

Coloque o aspirador em funcionamento até a bateria estar totalmente descarregada.

Remova a ficha de tomada do carregador do aparelho.

Pressione o botão para libertar a bateria e deslize para removê-la. **[3]**

Nota: Caso experiencie qualquer dificuldade na desmontagem da unidade ou necessite de informações mais detalhadas sobre o trabalho, recuperação e reciclagem deste aparelho, contacte o departamento da sua cidade ou o serviço de eliminação de lixo doméstico.

Utilize apenas acessórios, consumíveis ou peças sobressalentes recomendadas ou fornecidas pela Hoover.

Electricidade estática: Algumas alcatifas podem provocar uma pequena acumulação de electricidade estática. A descarga de electricidade estática não constitui qualquer perigo para a saúde.

Não utilize o aparelho no exterior, em superfícies húmidas ou para aspirar líquidos.

Não aspire objectos duros ou afiados, fósforos, cinzas quentes, pontas de cigarro ou outros itens semelhantes. Não pulverize nem aspire líquidos inflamáveis, líquidos de limpeza, aerossóis ou respectivos vapores.

Não passe por cima do cabo de alimentação ao utilizar o aspirador nem retire a ficha puxando pelo cabo de alimentação. Não continue a utilizar o aparelho ou o carregador caso aparente estar defeituoso.

Assistência da Hoover: Para assegurar o funcionamento seguro e eficiente deste aparelho, recomendamos que todas as intervenções de assistência ou reparação sejam efectuadas apenas por um técnico de assistência autorizado da Hoover.

Não utilize o aparelho para limpar pessoas ou animais.

Não substitua as baterias por baterias não recarregáveis.

Ambiente:

Este electrodoméstico está marcado de acordo com o disposto na directiva europeia 2011/65/EC relativa aos resíduos de equipamentos eléctricos e electrónicos (REEE). Ao garantir que este produto é eliminado de forma correcta, estará a contribuir para evitar potenciais consequências negativas para o ambiente e a saúde humana, o que pode ocorrer devido a um tratamento inadequado dos resíduos deste produto. O símbolo no produto indica que este não pode ser tratado como resíduo doméstico. Pelo contrário, deve ser encaminhado para o ponto de recolha aplicável para reciclagem de equipamento eléctrico e electrónico. A eliminação deve ser realizada em conformidade com as leis ambientais locais relativas à eliminação de resíduos. Para obter informações mais detalhadas sobre o tratamento, recuperação e reciclagem deste produto, contacte as autoridades locais, o serviço de eliminação de resíduos domésticos ou a loja onde adquiriu o produto.



Este aparelho encontra-se em conformidade com as Directivas Europeias 2014/35/UE, 2014/30/UE e 2011/65/UE.

CANDY HOOVER GROUP S.r.l. Via Privata Eden Fumagalli, 20861 Brugherio (MB) Italy

COMPONENTES DO PRODUTO

- | | |
|---|--|
| A. Corpo principal | S. Filtro do escape |
| B. Escova para pó integrada | T. Esponja |
| C. Botão de libertação do tubo | U. Suporte do filtro do escape |
| D. Tubo | V. Embalagem de bateria de luzes LED |
| E. Botão de libertação da escova | W. Botão de libertação do conjunto de baterias |
| F. Escova | X. Conjunto de baterias |
| G. Luzes led frontais | Y. Carregador |
| H. Aba de libertação do agitador | Z. Montagem de parede * |
| I. Cilindro intensivo para pavimentos | AA. Tampões com porca * |
| J. Filtro de rede | AB. Acessório para fendas |
| K. Ciclone simples | AC. Adaptador de acessórios * |
| L. Contentor de pó | AD. Ferramenta para as partes superiores * |
| M. Botão de libertação da aba do depósito de pó | AE. Ferramenta para radiadores * |
| N. Botão de libertação do depósito de pó | AF. Escova de limpeza profunda * |
| O. Capa de proteção contra fendas | AG. Escova Mini Turbo * |
| P. Interruptor LIGAR/DESLIGAR | AH. Ferramenta longa para fendas flexível * |
| Q. Alavanca do interruptor | AI. Saco de Acessórios* |
| R. Botões Libertação Filtro Exaustão | |

PREPARAR O SEU ASPIRADOR

1. Insira a cabeça da escova num lado do tubo até ouvir um clique. **[1a]**
2. Insira outro lado do tubo na unidade portátil até ouvir um clique. **[1b]**
3. Fixe a montagem de parede utilizando os parafusos e tampões com porca fornecidos. **[2]**
4. Para carregar totalmente o aparelho, ligue a ficha de tomada do carregador ao pacote da bateria. Demora cerca de 6 horas. **[2,3]**

NOTA: Para remover a escova, pressione o botão de libertação da escova e retire do corpo principal.

NOTA: Utilize apenas o carregador fornecido com o aspirador para recarregar.

IMPORTANTE: Ao carregar o aspirador, a alavanca do interruptor tem de estar na posição OFF. Também pode carregar o pack de bateria removível quando está removido do produto.

É normal que o carregador aqueça enquanto estiver a carregar.

* Apenas em alguns modelos

UTILIZAR O SEU APARELHO

Há três modos de trabalho:

- **MODO TURBO:** O produto começa a trabalhar na potência máxima com o agitador ligado quando prime o botão LIGAR/DESLIGAR e pára quando solto. **[4a]**
- **MODO ECONOMIZADOR:** O produto começará na potência mínima com o agitador ligado quando prime o botão LIGAR/DESLIGAR 2 vezes consecutivas e pára quando solto. **[4b]**
- **MODO CONTÍNUO:** Para ativar o modo contínuo, empurre a alavanca do interruptor até estar trancada. É aconselhável que desative o modo contínuo após ser acionado. Isto é feito ao empurrar a alavanca para a frente para a posição desbloqueada. **[4b]**

IMPORTANTE: Depois de cada utilização do produto, certifique-se de que empurra a alavanca do interruptor para a frente para a posição desbloqueada.

O incumprimento desta recomendação pode resultar numa redução da vida da bateria ou na sua falha.

SISTEMA DE PROTEÇÃO DE SEGURANÇA

Para garantir que a fiabilidade do produto não é afetada devido a utilização em condições exigentes, o produto possui um sistema de proteção de segurança integrado. **[13]**

NOTA: O sistema de proteção de segurança irá acionar se o agitador possuir um bloqueio ou estiver trancado, depois de acionado, o agitador irá parar de rodar e a luz Led branca na parte dianteira do bocal desliga-se. Se tal acontecer, deve desligar o produto e remover a obstrução do agitador. Para terminar a limpeza, pressione o botão on/off e o produto reinicia no modo turbo.

BATERIA

DISPLAY LED:

Este aspirador está equipado com uma luz LED de estado da bateria.

NÍVEL DA BATERIA:

Branco: 100% - 5% carregar

Cor branca intermitente: < 5% carregar

Vermelho: durante o carregamento

Há 2 métodos de carregamento:

Carregue a bateria quando encaixada no produto. [2]

Insira o conector do carregador da bateria na bateria. O indicador LED de estado irá acender-se a vermelho durante o carregamento. Quando o carregamento estiver concluído, o indicador LED irá acender-se a branco.

Carregue a bateria quando removida do produto. [3]

Remova a bateria do produto premindo o botão de libertação da bateria.

Insira o conector do carregador da bateria na bateria. O LED do pack da bateria irá acender-se a vermelho durante o carregamento. Quando o carregamento estiver concluído, o indicador LED irá acender-se a branco.

NOTA: É normal que o carregador aqueça enquanto estiver a carregar. Utilize apenas o carregador fornecido com o aspirador.

NOTA: Se não utilizar o aspirador durante um longo período de tempo, remova a embalagem da bateria do aspirador para manter a vida útil da bateria.

ACESSÓRIOS*

FERRAMENTA PARA FENDAS A BORDO, ESCOVA PARA PÓ INTEGRADA, ESCOVA MINI-TURBO*, ADAPTADOR DE ACESSÓRIOS*, FERRAMENTA PARA AS PARTES SUPERIORES*, FERRAMENTA PARA RADIADORES*, ESCOVA DE LIMPEZA PROFUNDA* E FERRAMENTA LONGA PARA FENDAS FLEXÍVEL*.

Todos os acessórios podem ser encaixados no produto principal e no tubo. **[5]**

NOTA: Para remover o bocal ou a unidade da estrutura principal do tubo, pressione o respetivo botão de libertação e puxe.

FERRAMENTA PARA RADIADORES* / ESCOVA DE LIMPEZA PROFUNDA*/ FERRAMENTA PARA AS PARTES SUPERIORES*

O adaptador do acessório* tem de ser encaixado quando se utiliza estes 3 acessórios. **[5]**

NOTA: Só existe uma forma de armazenar a ferramenta para fendas no corpo principal. Alinhe a ranhura na ferramenta para fendas com a seta no corpo principal. Insira a ferramenta para fendas no corpo principal. **[16]**

* Apenas em alguns modelos

NOTA: A mini escova turbo é ideal para a limpeza profunda de superfícies têxteis (ou seja, sofás) e remoção de pêlos de animais. Desloque firmemente para trás e para a frente. Depois da utilização, retire os pêlos/fios recolhidos da escova com uma tesoura, se necessário.

NOTA: A ferramenta para as partes superiores pode limpar facilmente locais alto e difíceis de alcançar e superfícies delicadas sem riscar.

NOTA: A ferramenta para radiadores é ideal para limpar dentro e ao redor de armários, radiadores, persianas, etc.

NOTA: A escova de limpeza profunda é útil para limpar espaços apertados sem riscar as superfícies, e dentro do seu automóvel

NOTA: O acessório de fendas flexível longo é ideal para limpar áreas de difícil acesso, debaixo de móveis e no automóvel.

SACO DE ACESSÓRIOS*

Podem ser armazenados acessórios adicionais no saco de acessórios.

MONTAGEM DE PAREDE*

Para o armazenamento e para poupar espaço, o aparelho pode ser fixo à parede utilizando os três parafusos e os tampões incluídos. [2]

MANUTENÇÃO DO APARELHO

Esvaziar o depósito de pó

1. Prima o botão de libertação do tubo e retire o tubo.
2. Prima o botão de libertação da aba do compartimento para o pó, abra a aba do compartimento para o pó e remova o conteúdo. [6]
3. Feche a tampa do compartimento para pó, ouvirá um clique quando estiver encaixado.

NOTA: É recomendado esvaziar o compartimento para pó depois de cada utilização ou quando o pó estiver até à linha máxima de enchimento.

Limpe o depósito de pó e o filtro

1. Prima o botão de libertação do tubo e retire o tubo.
2. Prima o botão de libertação da aba do compartimento para o pó para abrir a aba do compartimento para o pó e remova o conteúdo. [6]
3. Pressione o botão para libertar a bateria e remova-a. [3]
4. Prima o botão de libertação do compartimento para o pó e retire-o do corpo principal. [7]
5. Rode a estrutura do filtro de rede para a esquerda e remova-a do equipamento. [8]
6. Prima os botões de libertação do filtro de escape para retirar o filtro de escape. [9]
7. Retire a esponja do filtro de escape e retire o filtro de escape da estrutura. [10]
8. Quando limpar o filtro de escape, lave a esponja e a estrutura do filtro de escape em água morna e deixe a secar durante 24 horas. Certifique-se de que todas as peças estão totalmente secas antes de voltar a montá-las. [11, 12]
9. Quando limpar o sistema de ciclone simples, lave o filtro de rede e o recipiente de pó com água morna e deixe secar durante 24 horas. Certifique-se de que todas as peças estão totalmente secas antes de voltar a montá-las. [11, 12]
10. Certifique-se de que seca totalmente antes de colocá-lo novamente no corpo do aspirador. [12]

NOTA: Não utilize água quente nem detergentes para limpar os filtros. Caso os filtros fiquem danificados, instale um elemento de substituição HOOVER original. Não tente utilizar o aspirador sem o filtro montado.

IMPORTANTE: Para um desempenho ideal, mantenha sempre o filtro limpo. Recomendamos lavar o filtro mensalmente.

Substituir e limpar o Rolo de Limpeza Intensa

IMPORTANTE: Desligue sempre o aspirador e retire a bateria antes de substituir ou limpar o agitador.

1. Remova o bocal do tubo. [14]
2. Coloque o bocal com o Rolo de Limpeza Intensa virado para si. Levante a alavanca do sistema de libertação do agitador e retire o Rolo de Limpeza intensa. [15a]
3. Remova toda a sujidade, fibras e pelos do Rolo de Limpeza Intensa utilizando uma tesoura. [15b]
4. Volte a introduzir o Rolo de Limpeza Intensa e coloque no sistema de libertação do agitador no respetivo sítio. [15c]

Substituição das baterias

Este aspirador está equipado com uma bateria amovível de iões de lítio recarregável e pode ser substituída. Além disso, a bateria pode ser carregada fora do eletrodoméstico.

ATENÇÃO: Utilize apenas peças de substituição aprovadas para o aspirador. A utilização de peças não aprovadas pela Hoover é perigosa e irá tornar a sua garantia inválida.

ATENÇÃO: Não tente abrir a bateria amovível nem repará-la.

* Apenas em alguns modelos

1. Pressione o botão de libertação da bateria amovível para removê-la do corpo principal.
2. Retire a bateria amovível antiga e substitua-a por uma nova.
3. Elimine as baterias em segurança. As pilhas usadas devem ser levadas para uma estação de reciclagem e não devem ser colocadas no lixo doméstico.

RESOLUÇÃO DE PROBLEMAS

Se tiver qualquer problema com o aspirador, siga esta lista de verificação simples antes de contactar o Centro de Assistência ao Cliente da Hoover:

A. O aspirador não liga

Verifique se o pack da bateria está carregado.
Controle se o pacote da bateria está montado no lugar.

B. Perda de sucção ou sem sucção.

Esvazie o compartimento para pó e lave o filtro de rede e o separador ciclone.
Retire a escova e verifique se existe qualquer obstrução na conduta.

C. Não é possível carregar a bateria

Certifique-se de que o interruptor de modo contínuo não foi acionado, pois a bateria não irá carregar. Tal também pode dever-se ao facto de a produto não ter sido utilizado ou ter estado guardado durante um longo período de tempo. Contacte o serviço de apoio ao cliente da Hoover para que a bateria seja substituída. Se o problema persistir, contacte o centro de assistência ao cliente da Hoover.

PEÇAS SOBRESSALENTES E CONSUMÍVEIS HOOVER

Substitua sempre as peças por peças sobressalentes Hoover genuínas. Pode obtê-las junto do seu representante local ou directamente da Hoover. Quando encomendar peças, mencione sempre o número do seu modelo.

A SUA GARANTIA

As condições de garantia para este aparelho são as definidas pelo nosso representante no país onde foi vendido. Pode obter detalhes sobre estas condições junto do agente a quem adquiriu o aparelho. A factura de venda ou o recibo deverão ser entregues quando apresentar uma reclamação ao abrigo dos termos da garantia.

IMPORTANTE: A bateria existente no interior deste aspirador possui uma garantia de 6 meses a partir da data de compra. Depois de seis meses, o cliente é responsável pelo custo de uma nova bateria:

Sujeito a alteração sem aviso prévio.

INSTRUCCIONES PARA UN USO SEGURO

Este aparato solo debe utilizarse para la limpieza doméstica, como se describe en este manual de usuario. Asegúrese de haber comprendido todo el contenido de este manual antes de poner en funcionamiento el aparato.

Apague y quite el cargador de la toma de corriente antes de limpiar el aparato o de efectuar cualquier operación de mantenimiento.

Este aparato puede ser usado por niños de 8 años en adelante y personas con capacidades físicas, sensoriales o mentales reducidas o falta de experiencia y conocimiento bajo supervisión y con una explicación de las instrucciones con respecto al uso del aparato de manera segura y que comprendan los riesgos implicados. Los niños no deben jugar con el aparato. Los niños no deben limpiar ni dar mantenimiento sin supervisión.

Si el cable de alimentación está dañado, deje de utilizar el aparato inmediatamente. Para evitar riesgos de seguridad, el cable de alimentación sólo puede ser cambiado por un especialista del servicio técnico de Hoover.

Mantener lejos de los cepillos rotatorios pies, manos, ropa suelta y cabellos.

Utilice únicamente el cargador original suministrado con el aparato.

Controle que el voltaje de la corriente eléctrica sea el mismo que el indicado en el cargador.

Este aparato Hoover se proporciona con un cargador de baterías con doble aislamiento que sólo se puede conectar en una toma de corriente de 230V (240V en Reino Unido).

Enchufe el cargador en una toma de corriente adecuada y conecte la clavija del cargador al electrodoméstico.

Durante la carga del electrodoméstico, el interruptor de alimentación debe estar en posición de apagado.

Antes del primer uso, cargue el aspirador durante al menos 24 horas. La luz led del paquete de baterías se iluminará de color rojo durante la carga y se volverá de color BLANCO cuando la carga esté completa.

Conecte el cargador al electrodoméstico después del uso para recargar la batería.

No cargue nunca la batería a temperaturas superiores a los 37°C o inferiores a 0°C.

Es normal que el cargador esté caliente al tacto mientras se está cargando.

No tire del cable para desenchufar el cargador.

Desenchufe el cargador en caso de ausencias prolongadas (vacaciones, etc.). Vuelva a cargar el aparato nuevamente antes de usarlo, ya que la batería se podría descargar durante períodos de almacenamiento prolongados.

Si se debe desechar el aparato, primero es necesario extraer la batería. Cuando extraiga la batería, el electrodoméstico debe estar desconectado de la red eléctrica. Elimine la batería de manera segura. Haga funcionar el electrodoméstico hasta que se detenga debido a que la batería está totalmente descargada. Las baterías usadas deben llevarse a un punto de reciclaje y no deben desecharse con los residuos domésticos. Para quitar la batería, contacte con el Servicio Técnico de Hoover o siga las instrucciones presentes.

IMPORTANTE: Descargue siempre las baterías completamente antes de desecharlas y asegúrese de que el cargador está desenchufado.

Haga funcionar el aspirador hasta que las baterías estén completamente descargadas.

Quite el conector jack del cargador del electrodoméstico.

Pulse los botones de desenganche del paquete de baterías y deslice para extraerlo. [3]

Nota: Si llega a experimentar problemas al desmontar el aspirador o para obtener información más detallada sobre el funcionamiento, la recuperación y el reciclaje de este electrodoméstico, contacte con su Ayuntamiento o con el servicio de recogida de residuos domésticos de su zona.

Utilice únicamente accesorios, consumibles o repuestos recomendados o distribuidos por Hoover.

Electricidad estática: Algunas alfombras pueden provocar una pequeña acumulación de electricidad estática. Las descargas estáticas no son peligrosas para la salud.

No utilice el aparato al aire libre, en superficies húmedas o para recoger líquidos.

No aspire objetos duros o afilados, cerillas, cenizas calientes, colillas de cigarrillo u objetos similares. No rocíe, ni aspire líquidos inflamables, aerosoles para limpiar o sus vapores.

No pase por encima del cable de alimentación cuando utilice el aparato ni lo desenchufe tirando del cable. No siga utilizando el electrodoméstico o el cargador si parece estar defectuoso.

Servicio Técnico de Hoover: Para garantizar el funcionamiento seguro, eficaz y duradero del aspirador, recomendamos que las tareas de

mantenimiento sean realizadas exclusivamente por técnicos autorizados del servicio Técnico de Hoover.

No utilice el aparato sobre personas ni animales.

No sustituya las baterías por baterías no recargables.

El Medio Ambiente:

Este aparato está marcado de acuerdo con la Directiva Europea 2011/65/EC sobre residuos de aparatos eléctricos y electrónicos (RAEE). Al cerciorarse de que este producto se elimine correctamente, usted ayudará a prevenir las posibles consecuencias perjudiciales para el medio ambiente y la salud humana que, de otro modo, podrían producirse en caso de manejo inadecuado de los residuos de este producto. El símbolo que puede verse en el producto indica que éste no puede tratarse como residuo doméstico. En vez de esto debe entregarse en un punto de recogida de electrodomésticos para el reciclaje de equipos eléctricos y electrónicos. La eliminación debe llevarse a cabo según los reglamentos medioambientales locales sobre eliminación de residuos. Para información más detallada sobre el tratamiento, la recuperación y el reciclaje de este producto, póngase en contacto con su Ayuntamiento, su servicio de recogida de residuos domésticos o con el establecimiento donde haya comprado el producto.



Esta aparato cumple con las Directivas europeas 2014/35/EU, 2014/30/EU y 2011/65/EU.

CANDY HOOVER GROUP S.r.l. Via Privata Eden Fumagalli, 20861 Brugherio (MB) Italy

COMPONENTES DEL PRODUCTO

- | | |
|---|--|
| A. Cuerpo principal | S. Filtro de Descarga |
| B. Cepillo polvo integrado | T. Esponja |
| C. Botón de desenganche del tubo | U. Soporte del filtro de salida |
| D. Tubo | V. Luz led del paquete de baterías |
| E. Botón desbloqueo de tobera | W. Botón de desenganche del paquete de baterías |
| F. Tobera | X. Batería |
| G. Luces led frontales | Y. Cargador |
| H. Solapa de desbloqueo del rodillo | Z. Soporte de pared * |
| I. Rodillo Intense Floor | AA. Tapones de tornillos * |
| J. Filtro de malla | AB. Accesorio rincones |
| K. Monociclón | AC. Adaptador de accesorios * |
| L. Depósito de Polvo | AD. Accesorio para lugares elevados * |
| M. Botón de desenganche de la solapa del depósito de suciedad | AE. Accesorio para radiador * |
| N. Botón de liberación del recolector de polvo | AF. Cepillo para limpieza en profundidad * |
| O. Tapa de cubierta para rincones | AG. Tobera Especial Pelo de Mascota (Mini Turbo) * |
| P. Interruptor ENCENDIDO/APAGADO | AH. Accesorio largo flexible * |
| Q. Palanca del interruptor | AI. Bolsa para accesorios * |
| R. Botones de liberación del filtro de salida | |

PREPARACIÓN DEL ASPIRADOR

1. Introduzca el cabezal de la tobera en un lado del tubo hasta que se oiga un "clic". **[1a]**
2. Introduzca el otro lado del tubo en el aspirador extraíble hasta que se oiga un "clic". **[1b]**
3. Fije el soporte de pared a la pared utilizando los tornillos y los tapones de tornillos suministrados. **[2]**
4. Para cargar por completo el electrodoméstico, conecte el conector jack de carga al paquete de baterías amovible. El proceso de carga durará aproximadamente 6 horas. **[2,3]**

NOTA: Para retirar la tobera, presione el botón de desbloqueo de la tobera y retírela del cuerpo principal.

NOTA: Sólo utilice el cargador proporcionado con su aspirador para recargar.

IMPORTANTE: Cuando el aspirador se esté cargando, la palanca del interruptor debe estar en posición de APAGADO. El paquete de baterías extraíble se puede cargar incluso cuando está desenganchado del electrodoméstico.

Es normal que el cargador esté caliente al tacto mientras se está cargando.

* Sólo para algunos modelos

USO DEL APARATO

Hay tres modos de funcionamiento:

- **MODO TURBO:** El electrodoméstico comenzará a funcionar a la máxima potencia con el agitador encendido al presionar el interruptor de encendido/apagado y se detendrá al soltarlo. **[4a]**
- **MODO ECO:** El electrodoméstico comenzará a funcionar con una potencia inferior con el agitador encendido, al presionar el interruptor de encendido/apagado 2 veces consecutivas y se detendrá al soltarlo. **[4b]**
- **MODO CONTINUO:** Para activar el modo continuo es necesario empujar la palanca hacia atrás hasta que se bloquee. Se aconseja desactivar el modo continuo cada vez que se haya accionado; esto se lleva a cabo empujando la palanca hacia adelante en posición de desbloqueado. **[4b]**

IMPORTANTE: Después de cada uso del electrodoméstico, asegúrese de empujar la palanca del interruptor hacia adelante en posición de desbloqueado.

De lo contrario, puede reducirse la vida útil de la batería u ocurrir una avería.

SISTEMA DE PROTECCIÓN DE SEGURIDAD

Para asegurar que el electrodoméstico mantenga su fiabilidad si se usa en condiciones difíciles, el aparato está dotado de un sistema de protección de seguridad. **[13]**

NOTA: El sistema de protección de seguridad se accionará si el agitador tiene una obstrucción o está bloqueado; una vez que se haya accionado, el agitador dejará de girar y se apagarán las luces Led blancas de la parte delantera de la tobera. Si esto sucede, apague el electrodoméstico y elimine la obstrucción del rodillo. Para reanudar la limpieza, presione el botón de encendido/apagado y el electrodoméstico volverá a encenderse en modo turbo.

BATERÍA

PANTALLA LED:

Este aspirador está dotado de luces led de estado de la batería.

NIVEL DE LA BATERÍA:

Color blanco: 100% - 5% carga

Color blanco intermitente: < 5% carga

Color rojo: durante la carga

Hay 2 métodos de carga:

Cargue la batería cuando esté encajada en el aparato. **[2]**

Introduzca el conector jack del cargador de baterías en el paquete de baterías. El indicador de estado led se iluminará de color rojo durante el proceso de carga. Cuando la carga esté completa, el indicador led se iluminará de color blanco.

Cargue la batería cuando se haya extraído del aparato. **[3]**

Extraiga la batería del aparato presionando el botón de desenganche de la batería.

Introduzca el conector jack del cargador de baterías en el paquete de baterías. El led del paquete de baterías se iluminará de color rojo durante la carga. Cuando la carga esté completa, el indicador led se iluminará de color blanco.

NOTA: Es normal que el cargador esté caliente al tacto mientras se está cargando. Utilice sólo el cargador proporcionado con el aparato.

NOTA: Si no va a utilizar el aspirador por un periodo prolongado, extraiga el paquete de baterías amovible del aspirador para mantener la vida útil de la batería.

ACCESORIOS*

ACCESORIO PARA RINCONES A BORDO, CEPILLO POLVO INTEGRADO, TOBERA MINI TURBO ELIMINADOR DE ALÉRGICOS Y PELO DE MASCOTA*, ADAPTADOR DE ACCESORIOS*, ACCESORIO EXTENSOR PARA SUPERFICIES ALTAS*, Accesorio para radiador*, Cepillo para limpieza en profundidad* Y Accesorio largo flexible*.

Todos los accesorios se pueden encajar en el aparato principal y en el tubo. **[5]**

NOTA: Para extraer la tobera o la unidad del cuerpo principal del tubo, pulse el botón de desbloqueo correspondiente y desprenda.

ACCESORIO PARA RADIADOR* / CEPILLO PARA LIMPIEZA EN PROFUNDIDAD*/ ACCESORIO EXTENSOR PARA SUPERFICIES ALTAS*

Cuando se utilicen estos 3 accesorios se debe encajar el adaptador* de accesorios. **[5]**

NOTA: Sólo hay una manera de guardar el accesorio para rincones en el cuerpo principal. Alinee la ranura del accesorio para rincones con la flecha del cuerpo principal, introduzca dicho accesorio para rincones en el cuerpo principal. **[16]**

* Sólo para algunos modelos

NOTA: La tobera Mini Turbo es ideal para una limpieza profunda de los tejidos del hogar (p. ej. sofás) y para eliminar el pelo de las mascotas. Mueva constantemente hacia adelante y hacia atrás. Después del uso, elimine cabello/hilos recogidos en el cepillo, usando las tijeras si es necesario.

NOTA: Con el accesorio para lugares elevados se puede limpiar fácilmente los sitios elevados y difíciles de alcanzar como también las superficies delicadas sin rayarlas.

NOTA: El accesorio para el radiador es ideal para limpiar alrededor y en el interior de armarios, radiadores, persianas etc. **NOTA:** El cepillo para limpieza profunda es útil para limpiar espacios estrechos sin rayar las superficies y el interior del coche.

NOTA: El accesorio largo y flexible para rincones es ideal para la limpieza de zonas difíciles de alcanzar, debajo de los muebles y en el coche.

BOLSA PARA ACCESORIOS*

Los accesorios adicionales se pueden guardar en la bolsa para accesorios.

SOPORTE DE PARED*

Para el almacenamiento y para ahorrar espacio, se puede fijar el electrodoméstico a la pared utilizando los tres tornillos y tapones de tornillos incluidos. [2]

MANTENIMIENTO DEL APARATO

Vaciado del depósito de suciedad

1. Presione el botón de desenganche del tubo y extraiga dicho tubo.
2. Presione el botón de desenganche de la solapa del depósito de suciedad para abrir la solapa del recolector y vacíelo. [6]
3. Cierre el depósito de suciedad, cuando esté totalmente bloqueado se escuchará un clic.

NOTA: Se recomienda vaciar el depósito de suciedad después de cada uso o cuando la suciedad llegue a la línea de llenado máximo.

Limpiar el depósito y el filtro

1. Presione el botón de desenganche del tubo y extraiga dicho tubo.
2. Presione el botón de desenganche de la solapa del depósito de suciedad para abrir la solapa del recolector y vacíelo. [6]
3. Pulse el botón de desenganche de la batería y extraiga el paquete de baterías. [3]
4. Pulse el botón de desenganche del recolector de suciedad y extraiga dicho recolector del cuerpo principal. [7]
5. Gire el soporte del filtro de malla en sentido contrario a las agujas del reloj y extráigalo del electrodoméstico. [8]
6. Presione los botones de desenganche del filtro de salida para extraer dicho filtro de salida. [9]
7. Quite la esponja del filtro de salida y extraiga dicho filtro de salida de su soporte. [10]
8. Al limpiar el filtro de salida, lave la esponja y el soporte del filtro de salida con agua tibia y deje secar durante 24 horas. Asegúrate que todas las piezas estén totalmente secas antes de volverlas a ensamblar. [11, 12]
9. Al limpiar el monociclón, lave el filtro de malla y el recolector de suciedad con agua tibia y deje secar durante 24 horas. Asegúrate que todas las piezas estén totalmente secas antes de volverlas a ensamblar. [11, 12]
10. Asegúrese de que esté completamente seco antes de volver a colocarlo en el cuerpo principal del aspirador. [12]

NOTA: No utilice agua caliente o detergentes para limpiar los filtros. En caso improbable de dañarse los filtros, coloque un repuesto Hoover original. No trate de utilizar el aparato sin montar el filtro.

IMPORTANTE: Para obtener un rendimiento óptimo, mantenga siempre limpio el filtro. Le recomendamos que lave el filtro una vez al mes.

Sustitución y limpieza del rodillo Intense Floor

IMPORTANTE: Apague el aspirador y extraiga el paquete de baterías amovible antes de sustituir o limpiar el agitador.

1. Extraiga la tobera del tubo. [14]
2. Coloque la tobera con el rodillo Intense Floor hacia usted. Tire la palanca del sistema de desenganche del agitador hacia arriba y extraiga el rodillo Intense Floor. [15a]
3. Elimine todos los residuos, fibras y cabello del rodillo Intense Floor con las tijeras. [15b]
4. Vuelva a introducir el rodillo Intense Floor y coloque de nuevo en su lugar el sistema de desenganche del agitador. [15c]

Reemplazar las baterías

Este aspirador está dotado de un paquete de baterías recargables de ion-litio amovible, el cual es reemplazable. Además, la batería se puede cargar incluso afuera del electrodoméstico.

* Sólo para algunos modelos

ADVERTENCIA: Utilice únicamente piezas de repuesto aprobadas para su aspirador. La utilización de piezas no homologadas por Hoover es peligrosa e invalidará su garantía.

ADVERTENCIA: No trate de abrir el paquete de baterías amovible ni de repararlo por sí mismo.

1. Pulse el botón de desenganche del paquete de baterías amovible y extráigalo del cuerpo principal..
2. Extraiga el viejo paquete de baterías amovible y sustitúyalo con el nuevo.
3. Elimine la batería de manera segura. Las baterías agotadas deben llevarse a una estación de reciclaje y no se deben eliminar con los residuos domésticos.

RESOLUCIÓN DE PROBLEMAS

Si tiene algún problema con su aspirador, siga esta simple lista de verificación antes de llamar al Servicio Técnico de Hoover:

A. El aspirador no se enciende

Verifique si el paquete de baterías está cargado.

Verifique si el paquete de baterías está montado en su lugar.

B. Pérdida de aspiración o sin aspiración.

Vacíe el depósito de suciedad y lave el filtro de malla y el separador ciclónico.

Extraiga la tobera y controle si hay obstrucciones en el tubo

C. Las baterías no se pueden cargar

Asegúrese de que no esté accionado el interruptor de modo continuo ya que la batería no se habrá estado cargando. Éste también puede ser el resultado si el electrodoméstico no se ha utilizado o se ha guardado por un período prolongado. Contacte con el servicio técnico de Hoover para acordar un reemplazo de baterías. Si el problema continúa, contacte con el servicio técnico de Hoover.

PIEZAS DE REPUESTO Y CONSUMIBLES HOOVER

Utilice siempre piezas de repuesto originales de Hoover. Puede adquirirlas a través de su Servicio Técnico de Hoover. Cuando realice pedidos de piezas, indique siempre el número de modelo que posee.

SU GARANTÍA

Las condiciones de garantía para este aparato vienen definidas por nuestro representante en el país de venta. Puede obtener los detalles acerca de estas condiciones en el establecimiento donde haya comprado este aparato. Debe mostrarse la factura de compra o el recibo al hacer alguna reclamación en virtud de las condiciones de garantía.

IMPORTANTE: La batería de este producto está garantizada durante 6 meses a partir de la fecha de compra. Después de 6 meses, el coste de una nueva batería está a cargo del cliente.

Sujeto a cambios sin previo aviso.

INSTRUCTIES VOOR VEILIG GEBRUIK

Dit toestel mag enkel gebruikt worden voor reiniging in het huis, zoals beschreven in deze gebruikersgids. Zorg ervoor dat u de instructies volledig begrijpt voordat u het apparaat in gebruik neemt.

Oplader altijd afzetten en stekker uit het stopcontact halen alvorens het schoonmaken van het toestel of enige andere onderhoudstaak te verrichten.

Dit toestel kan gebruikt worden door kinderen vanaf 8 jaar en ouder en personen met verminderde lichamelijke, zintuiglijke of mentale capaciteiten. Ook personen met een gebrek aan ervaring of kennis kunnen dit toestel gebruiken, indien ze toezicht of instructies hebben gekregen betreffende het veilig gebruik van het toestel en de gevaren in kwestie begrijpen. Kinderen mogen niet met het toestel spelen. Reinigings- en gebruiksonderhoud mag niet uitgevoerd worden door kinderen zonder toezicht.

Indien het stroomsnoer beschadigd is, stop dan onmiddellijk met het toestel te gebruiken. Om veiligheidsrisico's te voorkomen, moet het netsnoer worden vervangen door een erkend monteur van Hoover.

Houd handen, voeten, losse kleding en haar uit de buurt van roterende borstels.

Gebruik alleen de oplader die oorspronkelijk bij het toestel geleverd is.

Controleer of uw netspanning dezelfde is als deze vermeld op de lader.

Dit Hoover-apparaat is voorzien van een dubbel geïsoleerde batterijoplader, die alleen geschikt is om in een 230V (UK 240V) stopcontact te steken.

Steek de oplader in een geschikt stopcontact en steek de aansluitingstekker van de oplader in het apparaat.

Tijdens het opladen van het toestel dient de stroomschakelaar in de uit-stand te staan.

Laad het toestel voor het eerste gebruik minstens 24 uur op. Het LED-lampje van het batterijpakket gaat tijdens het opladen ROOD branden en wordt WIT als het volledig is opgeladen.

Sluit het toestel na gebruik weer aan op de lader om de batterij op te laden.

Laad de batterijen niet op bij temperaturen boven 37°C of onder 0°C.

Het is normaal dat de lader warm wordt bij het opladen.

Haal de oplader niet uit het stopcontact door aan het stroomsnoer te trekken.

Haal bij langere afwezigheid (vakanties, etc.) de oplader uit het stopcontact. Laad het product opnieuw op voor gebruik, aangezien batterijen uit zichzelf kunnen ontladen tijdens langere opslagperiodes.

In het geval dat u het apparaat weg doet, dienen de batterijen eerst verwijderd te worden. Bij het verwijderen van de batterij moet het apparaat ontkoppeld zijn van het net. Gooi de batterijen veilig weg. Laat het apparaat doorwerken totdat het stopt en de batterijen volledig ontladen zijn. Gebruikte batterijen moeten naar een recyclagecentrum gebracht worden en mogen niet bij het huishoudelijk afval weggegooid worden. Om de batterijen te verwijderen neem contact op met de Hoover klantendienst, of ga verder volgens deze instructies.

BELANGRIJK: Ontlaad de batterijen volledig alvorens deze te verwijderen en ontkoppel de lader.

Laat de reiniger draaien totdat de batterijen helemaal leeg zijn.

Verwijder de stekker van de oplader uit het toestel.

Druk op de ontgrendelingsknop van de batterij en verschuif het om te verwijderen. [3]

Opmerking: Mocht u enige problemen ondervinden met het uit elkaar halen van het voorwerp, of voor meer gedetailleerde informatie over behandeling, herstel en recyclage van dit apparaat, neem contact op met uw lokale gemeente of de afvalreinigingsdienst.

Gebruik enkel toebehoren, gebruiksartikelen of reserveonderdelen die door Hoover aanbevolen of geleverd worden.

Statische elektriciteit: sommige tapijten kunnen een kleine opbouw van statische elektriciteit veroorzaken. Ontladingen van statische elektriciteit zijn onschadelijk voor uw gezondheid.

Gebruik je toestel nooit buiten of op natte oppervlaktes of om vocht op te nemen.

Raap geen harde of scherpe objecten op zoals lucifers, hete assen, sigaretten of andere gelijkaardige items. Spuit niet met ontvlambare vloeistoffen, reinigingsvloeistoffen, aerosols of hun dampen en zuig ze ook niet op.

Loop niet over het stroomsnoer wanneer je het toestel gebruikt of verwijder de stekker niet door aan het stroomsnoer te trekken. Gebruik uw apparaat of oplader niet als deze defect blijkt te zijn.

Hoover service: Om de veilige en doeltreffende werking van het apparaat te verzekeren, adviseren wij om onderhoud of reparaties alleen door een erkende onderhoudsmonteur van Hoover te laten uitvoeren.

Gebruik het toestel niet om dieren of mensen te reinigen.

Vervang de batterijen niet met onoplaadbare batterijen.

Het milieu:

Dit toestel is gemarkeerd conform de Europese richtlijn 2011/65/EC betreffende afgedankte elektrische en elektronische apparatuur (AEEA). Door dit product aan het einde van de levensduur op verantwoorde wijze weg te gooien, voorkomt u mogelijke negatieve gevolgen voor het milieu en de gezondheid, die zouden kunnen ontstaan door een onverantwoorde afvalverwerking van dit product. Het symbool op dit product geeft aan dat het niet mag worden beschouwd als huishoudelijk afval. In plaats daarvan moet u het inleveren bij een inzamelpunt voor het recyclen van elektrische en elektronische apparatuur. U moet het toestel weggooien in overeenstemming met de lokale voorschriften voor afvalverwerking. Voor meer informatie over verwerking, hergebruik en recyclen van dit product, kunt u contact opnemen met uw lokale overheid, uw afvalverwerkingsbedrijf of de winkel waar u het product heeft gekocht.



Dit toestel voldoet aan de Europese Richtlijnen 2014/35/EU, 2014/30/EU en 2011/65/EU.

CANDY HOOVER GROUP S.r.l. Via Privata Eden Fumagalli, 20861 Brugherio (MB) Italy

PRODUCTONDERDELEN

- | | |
|--|------------------------------------|
| A. Romp | S. Uitlaatfilter |
| B. Geïntegreerde afstofborstel | T. Spons |
| C. Ontgrendelingsknop Buis | U. Frame uitlaatfilter |
| D. Buis | V. Led-lampje batterij |
| E. Ontgrendelingsknop mondstuk | W. Ontgrendelingsknop batterij |
| F. Mondstuk | X. Batterijpak |
| G. Frontale Led-lampen | Y. Oplader |
| H. Ontgrendelingsklep borstel | Z. Wandhouder * |
| I. Intense vloerroller | AA. Schroefpluggen * |
| J. Gaasfilter | AB. Kierenzuiger |
| K. Enkele cycloen | AC. Accessoire adapter * |
| L. Stofzak | AD. Up to top gereedschap * |
| M. Ontgrendelingsknop klep stofreservoir | AE. Radiatorborstel * |
| N. Ontgrendelingsknop stofzak | AF. Grondige reinigingsborstel * |
| O. Afdekkap kierenzuiger | AG. Mini turbozuigmond * |
| P. AAN/UIT knop | AH. Lange flexibele kierenzuiger * |
| Q. Schakelaar | AI. Accessoire zak* |
| R. Ontgrendelingsknoppen uitlaatfilter | |

UW STOFZUIGER IN ELKAAR ZETTEN

1. Breng het mondstuk aan de ene kant van de buis naar binnen totdat je een 'klik' geluid hoort. **[1a]**
2. Breng de andere kant van de buis in de kruimelzuiger totdat je een 'klik' geluid hoort. **[1b]**
3. Bevestig de wandhouder aan de muur met behulp van de bijgeleverde schroeven en pluggen. **[2]**
4. Verbind de stekker van de oplader met de verwijderbare batterij om het toestel volledig op te laden. Het duurt ongeveer 6 uur. **[2,3]**

OPMERKING: Om het mondstuk te verwijderen drukt u op de ontgrendelingsknop van het mondstuk en maakt u het los van de romp.

OPMERKING: Gebruik uitsluitend de bijgeleverde oplader om de stofzuiger op te laden.

BELANGRIJK: Tijdens het laden van het toestel dient de schakelaar in de OFF stand te staan. U kunt de verwijderbare batterij ook opladen wanneer deze uit het product is verwijderd. Het is normaal dat de lader warm wordt bij het opladen.

* Alleen bepaalde modellen

UW STOFZUIGER GEBRUIKEN

Er zijn drie werkwijzen:

- **TURBOMODUS:** Het product begint op volle kracht te functioneren met de agitator aan als je de AAN/UIT-KNOP indrukt en stopt als deze losgelaten wordt. **[4a]**
 - **ECO-MODUS:** Het product start aan een lagere kracht met de agitator aan als je de AAN/UIT-KNOP 2 keer na elkaar indrukt en stopt als deze losgelaten wordt. **[4b]**
 - **CONTINUE MODUS:** Duw de schakelaar naar achteren tot hij vergrendeld is om de continue modus in te schakelen. We raden aan om de continue modus na elk gebruik weer uit te schakelen door de schakelaar naar voren in de ontgrendelde positie te duwen. **[4b]**
- BELANGRIJK:** Gelieve steeds de schakelaar naar voren te duwen in de ontgrendelde positie na elk gebruik van uw product.

Als dit niet gebeurt kan dit leiden tot een kortere batterijduur of falen.

VEILIGHEIDSSYSTEEM

Uw stofzuiger is voorzien van een ingebouwd veiligheidssysteem, om de betrouwbaarheid van het product ook onder moeilijke omstandigheden te garanderen. **[13]**

OPMERKING: Het veiligheidssysteem treedt in werking als de agitator verstopt zit of geblokkeerd is. Eenmaal het veiligheidssysteem geactiveerd is, stopt de agitator met draaien en gaan de witte ledlampjes aan de voorkant van het mondstuk uit. Indien dit gebeurt, schakel dan eenvoudigweg uw product uit en verwijder de obstructie in de agitator. Druk op de AAN/UIT-knop om de reiniging te hervatten en het product zal opnieuw starten in de turbomodus.

BATTERIJ

LED DISPLAY:

Deze reiniger is uitgerust met batterijstatus led-lampjes.

NIVEAU BATTERIJ

Wit: 100% - 5% opladen

Knipperen in Wit: < 5% opladen

Rood: tijdens het opladen

Er zijn 2 oplaadmethodes:

Laad de batterij op wanneer deze op het product is bevestigd. **[2]**

Steek de stekker van de batterijlader in de batterij. De LED-statusindicator zal tijdens het opladen rood oplichten. Wanneer het opladen voltooid is, gaat de LED-indicator wit branden.

Laad de batterij op wanneer ze uit het product verwijderd is. **[3]**

Verwijder de batterij uit het product door op de ontgrendelingsknop van de batterij te drukken.

Steek de stekker van de batterijlader in de batterij. De LED van het batterijpakket brandt rood tijdens het opladen. Wanneer het opladen voltooid is, gaat de LED-indicator wit branden.

OPMERKING: Het is normaal dat de lader warm wordt bij het opladen. Gebruik alleen de oplader die bij uw stofzuiger is meegeleverd.

OPMERKING: Als u de stofzuiger langere tijd niet gaat gebruiken, verwijder dan de batterij uit de stofzuiger om de levensduur van de batterij te behouden.

ACCESSOIRES*

INCLUSIEF KIERENZUIGER, GEÏNTEGREERDE AFSTOFBORSTEL, MINI TURBO MONDSTUK*, ACCESSOIRE ADAPTER*, UP TO TOP GEREEDSCHAP*, RADIATORBORSTEL*, GRONDIGE REINIGINGSBORSTEL* EN LANGE FLEXIBELE KIERENZUIGER*.

Alle accessoires kunnen op het hoofdproduct en op de buis gemonteerd worden. **[5]**

OPMERKING: Om het mondstuk of de hoofdbehuizing van de buis te verwijderen, drukt u op de betreffende ontgrendelingsknop en trekt u deze uit elkaar.

RADIATORBORSTEL* / GRONDIGE REINIGINGSBORSTEL* / UP TO TOP GEREEDSCHAP*

Bij gebruik van deze 3 accessoires moet de accessoire-adapter * worden aangebracht. **[5]**

OPMERKING: Er is slechts 1 manier om de kierenzuiger in de romp op te bergen. Lijn de groef op de kierenzuiger uit met de pijl op het hoofdgedeelte, duw de kierenzuiger in de romp. **[16]**

* Alleen bepaalde modellen

OPMERKING: Het mini-turbo mondstuk is ideaal voor het grondig reinigen van textiele oppervlakken (zoals banken) en het verwijderen van haar van huisdieren. Beweeg de reiniger gelijkmatig heen en weer. Verwijder na gebruik haren en/of draden die op de borstel zitten, indien nodig met een schaar.

OPMERKING: Het up to top gereedschap kan makkelijk hoge en moeilijk bereikbare plaatsen en delicate oppervlakken reinigen zonder te krassen.

OPMERKING: De radiator tool is ideaal voor het van binnen en van buiten reinigen van kasten, radiatoren, lamellen en meer.

OPMERKING: De diepreinigende borstel is handig voor het schoonmaken van nauwe ruimtes zonder risico op krassen, zoals in de auto.

OPMERKING: De lange, flexibele kierenzuiger is ideaal voor het reinigen van moeilijk te bereiken plaatsen, zoals onder meubels of in de auto.

ACCESSOIREZAK*

Overige toebehoren kunnen in de accessoirezak bewaard worden.

WANDHOUDER*

Voor opslag en ruimtebesparing kan uw apparaat aan uw muur worden bevestigd met behulp van de drie meegeleverde schroeven en schroefpluggen. [2]

ONDERHOUD STOFZUIGER

Het stofreservoir leegmaken

1. Druk op de ontgrendelingsknop van de buis en verwijder de buis.
2. Druk op de ontgrendelingsknop van de klep van het stofreservoir om het te openen en de inhoud ervan te ledigen. [6]
3. Sluit het stofreservoir, je hoort een klik als deze volledig vergrendeld is.

OPMERKING: Het is aangeraden om het stofreservoir te legen na elk gebruik of als het stof tot de maximale vullijn komt.

Maak het stofreservoir en de filter schoon

1. Druk op de ontgrendelingsknop van de buis en verwijder de buis.
2. Druk op de ontgrendelingsknop van het stofreservoir in om de klep van de bak te openen en de inhoud ervan te ledigen. [6]
3. Druk op de ontgrendelingsknop van de batterij en verwijder de batterij. [3]
4. Druk op de ontgrendelingsknop van de stofbak en verwijder de stofbak van de romp. [7]
5. Draai de filter tegen de klok in om deze van het product te verwijderen. [8]
6. Druk op de ontgrendelingsknoppen van de uitlaatfilter om de uitlaatfilter te verwijderen. [9]
7. Verwijder de spons uit de uitlaatfilter en haal de uitlaatfilter uit het frame. [10]
8. Wanneer u de uitlaatfilter reinigt, was dan de spons en het frame van de uitlaatfilter in lauw water en laat ze 24 uur drogen. Zorg ervoor dat alle onderdelen helemaal droog zijn voordat u het toestel weer in elkaar zet. [11, 12]
9. Was tijdens het reinigen van de enkele cycloon de filter en de stofbak in lauw water en laat 24 uur drogen. Zorg ervoor dat alle onderdelen helemaal droog zijn voordat u het toestel weer in elkaar zet. [11, 12]
10. Zorg ervoor dat deze volledig droog zijn alvorens het terug te zetten op de romp van de stofzuiger. [12]

OPMERKING: Gebruik geen heet water of schoonmaakmiddelen voor het reinigen van de filters. Indien de filters incidenteel beschadigd zijn, vervang deze dan door originele Hoover filters. Gebruik het product niet zonder de filter.

BELANGRIJK: Houd uw filter altijd proper voor optimale prestaties. Wij raden aan de filter eenmaal per maand te wassen.

De Intense Vloerroller vervangen en reinigen

BELANGRIJK: Altijd de reiniger uitschakelen en de verwijderbare accu wegnemen alvorens de agitator te vervangen of schoon te maken.

1. Verwijder het mondstuk uit de buis. [14]
2. Plaats de zuigmond met Intense Vloerroller naar u toe. Trek het ontgrendelingsstelsel van de agitator naar omhoog en verwijder de Intense Vloerroller. [15a]
3. Verwijder met een schaar het vuil, de vezels en haren uit de Intense Vloerroller. [15b]
4. Plaats de Intense Vloerroller terug en bevestig het ontgrendelingsstelsel van de agitator terug op zijn plek. [15c]

Batterijen vervangen

Deze reiniger is uitgerust met een oplaadbare lithium-ionbatterij die verwijderd en vervangen kan worden. De batterij kan ook los van het product opgeladen worden.

WAARSCHUWING: Gebruik alleen erkende vervangingsonderdelen voor uw toestel. Het gebruik van onderdelen die niet door Hoover werden gevalideerd zal uw garantie ongeldig maken.

WAARSCHUWING: De verwijderbare accu niet openen om die zelf te herstellen.

* Alleen bepaalde modellen

1. Druk op de ontgrendelingsknop van de verwijderbare accu om hem van het hoofdgedeelte te halen.
2. Verwijder de oude verwijderbare accu en vervang hem met een nieuwe.
3. Gooi de batterijen veilig weg. Gebruikte batterijen moeten naar een recyclagecentrum gebracht worden en mogen niet bij het huishoudelijk afval gegooid worden.

WAT TE DOEN BIJ PROBLEMEN

Mocht u problemen hebben met uw reiniger, volg dan eerst deze eenvoudige checklist voordat u het Hoover-klantenservicecentrum belt:

A. De stofzuiger gaat niet aan.

- Controleer of de batterij opgeladen is.
- Controleer of de batterij op zijn plaats zit.

B. Verminderde of helemaal geen zuigkracht.

- Leeg het stofreservoir en was de gaasfilter en de cycloonscheider.
- Verwijder het mondstuk en kijk of er iets de buis blokkeert.

C. Batterijen kunnen niet worden opgeladen

- Zorg dat de schakelaar van de continue modus niet ingeschakeld is, anders zal uw batterij niet opladen. Dit kan ook gebeuren als het apparaat voor een lange periode niet gebruikt is en opgeborgen was. Neem contact op met de Hoover-klantenservice om vervanging van de accu te regelen. Indien het probleem aanhoudt, neem contact op met het Hoover-klantenservicecentrum.

HOOVER RESERVEONDERDELEN EN GEBRUIKSARTIKELN

Gebruik uitsluitend originele reserveonderdelen van Hoover. Deze zijn verkrijgbaar bij uw Hoover dealer. Als u onderdelen bestelt, vermeld dan altijd het modelnummer.

JOUW GARANTIE

De garantievoorwaarden voor dit toestel worden bepaald door onze vertegenwoordiger in het land waar het toestel wordt verkocht. Details omtrent deze voorwaarden zijn verkrijgbaar bij de dealer waar u het toestel hebt gekocht. Wanneer u aanspraak wilt maken op deze garantie, dan moet u het verkoop- of ontvangstbewijs voorleggen.

BELANGRIJK: De batterij in deze reiniger heeft een garantie gedurende 6 maanden vanaf de aankoop. Na 6 maanden worden de kosten van een nieuwe accu door de klant betaald.

Wijzigingen zijn zonder voorafgaande kennisgeving mogelijk.

INSTRUKTIONER FOR SIKKER ANVENDELSE

Denne støvsuger må kun anvendes til almindelig husholdningsrengøring, som beskrevet i brugsanvisningen. Du bør sikre dig, at du har forstået indholdet af denne brugervejledning fuldt ud, inden apparatet tages i brug.

Inden du rengør eller foretager nogen som helst vedligeholdelse af apparatet, skal du altid slukke for det og tage stikket ud af stikkontakten.

Dette udstyr kan anvendes af børn, der er 8 år gamle og derover, og af personer med nedsatte fysiske, sensoriske eller mentale evner eller manglende erfaring og viden, hvis de er under opsyn eller vejledning i at bruge udstyret på en sikker måde og forstår de risici, der er involveret. Børn må ikke lege med udstyret. Rengøring og vedligeholdelse må ikke udføres af børn uden en voksen tilstede.

Hvis netledningen er ødelagt, skal du stoppe med at bruge støvsugeren øjeblikkeligt. For at undgå en sikkerhedsrisiko skal en autoriseret Hoover-servicetekniker udskifte strømledningen.

Hold hænder, fødder, løstsiddende tøj og hår væk fra roterende børster.

Brug kun den originale oplader, der blev leveret sammen med apparatet.

Sørg for at stømmen i dit forsyningsnet er den samme som anført på opladeren.

Denne støvsuger er forsynet med en dobbelt isoleret batterioplader, der kun er beregnet til tilslutning til en 220 V stikdåse.

Sæt opladeren i en passende stikkontakt og tilslut opladeren til apparatet.

Strømknappen skal stå på off-positionen ved opladning af apparatet.

Støvsugeren skal oplades i mindst 24 timer, før den tages i brug første gang. Batteripakkens LED lys vil lyse RØDT under opladning, og vil skifte til HVID når den er fuldt opladet

Støvsugeren skal tilsluttes opladeren igen efter brug, så batterierne kan blive genopladet.

Oplad aldrig batterierne ved over 37°C eller under 0°C.

Det er normalt for opladeren at blive varm at røre ved under opladning.

Opladeren må ikke trækkes ud af stikdåsen ved at trække i kablet.

Træk opladeren ud af stikket ved længere tids fravær (ferie o.lign.). Genoplad støvsugeren igen før brug, da batterierne kan selvaflade ved længere tids stilstand.

Hvis dit apparat skal kasseres, skal batterierne fjernes inden. Apparatet skal afbrydes fra lysnettet når batteriet fjernes. Bortskaf batterierne på en sikker måde. Tænd apparatet, indtil det stopper, fordi batterierne er helt afladet. Brugte batterier skal afleveres på en genbrugsstation og ikke smides ud sammen med husholdningsaffald. Hvis batterierne skal fjernes, bedes du kontakte Hoover-kundeservice eller handle i henhold til følgende anvisninger.

VIGTIGT: Aflad altid batterierne helt, før de fjernes.

Kør med støvsugeren, indtil batterierne er helt tomme.

Fjern opladeren fra apparatet.

Tryk på batteripakkens frigivelsesknop, og skub til side for at fjerne den. [3]

Bemærk: Hvis du får problemer med at afmontere enheden eller ønsker mere detaljerede oplysninger om behandling, genanvendelse og genbrug af dette produkt, bedes du kontakte kommunen eller skraldeselskabet.

Anvend kun tilbehør, udstyr og reservedele leveret af Hoover.

Statisk elektricitet: Visse tæpper kan forårsage en mindre akkumulering af statisk elektricitet. Udledning af statisk elektricitet er ikke sundhedsfarligt.

Brug ikke støvsugeren udendørs eller på våde overflader eller til opsugning af væsker.

Undlad at opsuge hårde eller skarpe genstande, tændstikker, varm aske, cigaretstumper eller andre lignende genstande. Undlad at sprøjte med eller opsuge brændbare væsker, rensesvæsker, spraydåser eller spray fra disse.

Undlad at køre over strømkablet når du bruger din støvsuger og undlad at trække stikket ud ved at trække i strømkablet, men hold fast i stikket. Hvis apparatet eller opladeren ser ud til at være beskadigede, skal det tages ud af brug.

Hoover service: For at sikre løbende sikker og effektiv drift af denne støvsuger anbefaler vi, at eftersyn eller reparationer udelukkende udføres af en autoriseret Hoover-servicetekniker.

Undlad at bruge apparatet på at rengøre mennesker eller dyr.

Batterierne må ikke udskiftes med ikke-genopladelige batterier.

Miljøet:

Denne håndstøvsuger er mærket i overensstemmelse med det europæiskedirektiv 2011/65//EC om affald af elektrisk og elektronisk udstyr (WEEE). Ved at sikre at dette produkt bortskaffes korrekt er du med til at forhindre eventuelle negative konsekvenser for miljø og sundhed, som ellers kunne forårsages på grund af forkert bortskaffelse af dette produkt. Symbolet på produktet angiver, at produktet ikke må behandles som husholdningsaffald. Det skal i stedet afleveres til en affaldsstation for genbrug af elektrisk og elektronisk udstyr. Bortskaffelse skal ske i overensstemmelse med de lokale miljøregler vedrørende bortskaffelse af affald. Du kan få flere detaljerede oplysninger om behandling, genvinding og genbrug af dette produkt ved at kontakte din lokale kommune, renovationsfirmaet eller den butik, hvor du købte produktet.



Dette apparat overholder bestemmelserne i EU Direktiverne 2014/35/EU, 2014/30/EU og 2011/65/EU.

CANDY HOOVER GROUP S.r.l. Via Privata Eden Fumagalli, 20861 Brugherio (MB) Italy

PRODUKTKOMPONENTER

- | | |
|--|---|
| A. Hoveddel | S. Udsugningsfilter |
| B. Integreret støvbørste | T. Svamp |
| C. Udløserknap til teleskoprør | U. Udsugningsfilterramme |
| D. Rør | V. Batteripakke LED lys |
| E. Knap til afmontering af mundstykke | W. Knap til afmontering af batteripakke |
| F. Baghjul | X. Batteripakke |
| G. Forreste LED lys | Y. Oplader |
| H. Rotor-udløserklap | Z. Vægholder * |
| I. Kraftig gulvvalse | AA. Rawplugs * |
| J. Maskefilter | AB. Fugemundstykke |
| K. Enkel cyklon | AC. Tilbehørsadapter * |
| L. Støvbeholder | AD. Op til toppen-redskab * |
| M. Udløserknap til støvklap | AE. Radiatorredskab * |
| N. Støvbeholderens udløserknap | AF. Lang rengøringsbørste * |
| O. Dækselhætte til revne | AG. Mini-turbomundstykke * |
| P. ON/OFF-knap | AH. Langt fleksibelt fugemundstykke * |
| Q. Omskifterkontakt | AI. Tilbehørstaske* |
| R. Knapper til afmontering af udsugningsfilter | |

SÅDAN KLARGØRES STØVSUGEREN

1. Isæt mundstykket på den ene side af røret, indtil du hører en "kliklyd". **[1a]**
2. Isæt den anden side af røret på den håndholdte enhed, indtil du hører en "kliklyd". **[1b]**
3. Fastgør vægholderen vha. de medfølgende skruer og skruetrækkere. **[2]**
4. For fuld opladning af apparatet, skal opladerens stikkontakt tilsluttes den aftagelige batteripakke. Det vil tage omkring 6 t. **[2,3]**

BEMÆRK: Mundstykket tages af, ved at trykke på udløserknappen, hvorefter mundstykket trækkes af hoveddelen.

BEMÆRK: Brug kun den oplader, der er leveret sammen med støvsugeren, til opladning.

VIGTIGT: Omskifterkontakten skal stå på OFF-positionen ved opladning af støvsugeren. Du kan også oplade den aftagelige batteripakke, når det udløses fra produktet.

Det er normalt for opladeren at blive varm at røre ved under opladning.

* Kun til visse modeller

BRUG AF STØVSUGEREN

Der er tre arbejdstilstande:

- **TURBO INDSTILLING:** Produktet vil starte med fuld kraft med agitatoren ON, når du trykker på ON/OFF knappen, og stoppe når den frigives. [4a]
- **ØKO-TILSTAND:** Produktet vil starte med lavere kraft med agitatoren ON, når du trykker 2 gange efter hinanden på ON/OFF knappen, og stoppe når den frigives. [4b]
- **KONTINUERLIG TILSTAND:** For at aktivere kontinuerlig tilstand, skal du skubbe håndtaget tilbage indtil det er låst. Det anbefales, at deaktivere kontinuerlig tilstand hver gang den ikke længere bruges, dette gøres ved enkelt at skubbe håndtaget frem, til den åbne position. [4b]

VIGTIGT: Efter du har brugt produktet, skal du sørge for at skubbe omskifterkontakten frem til den ulåste position. I modsat fald kan det resultere i en reduktion i batteriets levetid eller fejl.

SIKKERHEDSBESKYTTELSESSYSTEM

Produktet har et integreret sikkerhedsbeskyttelsessystem for at sikre pålideligheden af produktet, som ikke påvirkes under vanskelige forhold. [13]

BEMÆRK: Sikkerhedsbeskyttelsessystemet aktiveres, hvis børsten er blokeret eller låst fast. Når systemet aktiveres, stopper børsten med at rotere, og de hvide LED lys forrest på mundstykket slukker. Hvis dette sker, skal du bare slukke for dit produkt og fjerne tilstopningerne i agitatoren. For at genoptage rengøring, skal du trykke på on/off knappen, hvorefter produktet vil starte i turbotilstand.

BATTERI

LED DISPLAY:

Dette apparat er udstyret med LED lys for Batteristatus.

BATTERINIVEAU:

Hvid farve: 100% - 5% oplad

Blinker hvidt lys: < 5% oplad

Rød farve: under opladning

Der er 2 metoder til opladning:

Oplad batteriet mens det sidder på produktet. [2]

Indsæt batteriopladerens jackstik i batteriet. LED statusindikatoren vil lyse RØDT når der oplades. Når opladning er gennemført, vil LED indikatoren lyse hvidt.

Oplad batteriet når det ikke er på produktet. [3]

Fjern batteriet fra apparatet ved at trykke på batteriets udløserknap.

Indsæt batteriopladerens jackstik i batteriet. Batteripakkens LED vil lyse rødt under opladning. Når opladning er gennemført, vil LED indikatoren lyse hvidt.

BEMÆRK: Det er normalt for opladeren at blive varm at røre ved under opladning. Brug kun den oplader, der leveres sammen med støvsugeren.

BEMÆRK: Hvis du ikke skal bruge apparatet i en længere periode, bedes du venligst fjerne den aftagelige batteripakke fra apparatet, for at bevare batteriets holdbarhed.

TILBEHØR*

INDBYGGET FUGEMUNDSTYKKE, INDBYGGET STØVBØRSTE, MINI TURBOMUNDSTYKKE*, TILBEHØRSADAPTOR*, OP TIL TOPPEN-REDSKAB*, RADIATORREDSKAB*, LANG RENGØRINGSBØRSTE* OG LANGT FLEKSIBELT FUGEMUNDSTYKKE*.

Alt tilbehør kan monteres på hovedproduktet og på røret. [5]

BEMÆRK: For at fjerne mundstykket eller hovedenheden fra røret, skal du trykke på de relevante udløserknapper og trække enhederne fra hinanden.

RADIATORREDSKAB* / LANG RENGØRINGSBØRSTE*/ OP TIL TOPPEN-REDSKAB*

Tilbehørets adapter* skal monteres når man anvender disse 3 tilbehør. [5]

BEMÆRK: Der er kun en måde, hvorpå fugemundstykket kan gemmes på hovedenheden. Juster åbningen på fugemundstykket med pilen på hovedenheden, skub fugemundstykket ind i hovedenheden. [16]

* Kun til visse modeller

BEMÆRK: Mini-turbo mundstykket er ideelt til dybdegående rengøring af tekstiloverflader (dvs. sofaer) og fjernelse af dyrehår. Flyt den frem og tilbage i en stot bevægelse. Hvis det er nødvendigt skal du med en saks fjerne hår/tråde, der har samlet sig på børsten efter brug.

BEMÆRK: Op til toppen-redskabet kan nemt rengøre høje og svært tilgængelige steder samt sarte overflader uden at ride.

BEMÆRK: Radiatorredskabet er ideelt til rengøring i og omkring skabe, radiatorer, persienner og mere.

BEMÆRK: Den lange rengøringsbørste er nyttig til rengøring af smalle steder uden at ride overflader, eller til rengøring indvendigt i din bil.

BEMÆRK: Det lange fleksible fugemundstykke er ideelt til rengøring på svært tilgængelige steder, under møblerne og i din bil.

TILBEHØRSTASKE*

Tilbehørsudstyr kan gemmes i tilbehørstasken.

VÆGHOLDER*

For at spare plads og under opbevaring, kan dit apparat monteres på væggen, vha. de medfølgende tre skruer og dyvler. [2]

VEDLIGEHODELSE AF STØVSUGEREN

Tømning af støvbeholderen

1. Tryk på teleskoprørets udløserknap, og fjern teleskoprøret.
2. Tryk på støvflappens udløserknap for at åbne beholderflappen, og tømme indholdet. [6]
3. Luk støvbeholderen igen, du vil høre et klik når den er komplet låst.

BEMÆRK: Det anbefales at tømme støvbeholderen efter hvert brug, eller når støvet når til den maksimale fyldlinje.

Rengør støvbeholderen og filteret

1. Tryk på teleskoprørets udløserknap, og fjern teleskoprøret.
2. Tryk på støvflappens udløserknap for at åbne beholderflappen, og tømme indholdet. [6]
3. Tryk på batteriets udløserknap, og fjern batteripakken. [3]
4. Tryk på støvbeholderens udløserknap, og fjern støvbeholderen fra hovedenheden. [7]
5. Drej maskefilterrammen mod urets retning, og fjern det fra apparatet. [8]
6. Tryk på udsugningsfilterets udløsningsknapper, for at fjerne udsugningsfilteret. [9]
7. Fjern svampen fra udsugningsfilteret, og tag udsugningsfilteret ud af dens ramme. [10]
8. Når du rengør udsugningsfilteret, skal du vaske svampen og udsugningsfilterrammen i lunkent vand, og lade det tørre i 24 timer. Sørg for at alle delene er helt tørre før du sætter dem sammen igen. [11, 12]
9. Når du rengør den enkelte cyklon, skal du vaske maskefilteret og støvbeholderen i lunkent vand, og lade det tørre i 24 timer. Sørg for at alle delene er helt tørre før du sætter dem sammen igen. [11, 12]
10. Kontroller at den er helt tør, før den sættes fast på støvsugerens hoveddel igen. [12]

BEMÆRK: Der må ikke bruges varmt vand eller vaskemiddel til at rengøre filteret. Hvis filteret skulle være beskadiget, skal det udskiftes med en original Hoover-reservedel. Produktet må ikke anvendes, hvis filteret ikke er monteret.

VIGTIGT: For at opnå optimal effekt skal filteret altid holdes rent. Vi anbefaler, at filteret vaskes en gang om måneden.

Udskiftning og rengøring af intens gulvmundstykke

VIGTIGT: Du skal altid slukke for apparatet, og fjerne den aftagelige batteripakke, før du udskifter eller rengør agitatoren.

1. Fjern mundstykket fra røret. [14]
2. Placer dysen med det intense gulvmundstykke pegende mod dig. Træk håndtaget til agitatorens udløser system opad, og fjern det intense gulvmundstykke. [15a]
3. Fjern al affald, fiber og hår fra det intense gulvmundstykke vha. en saks. [15b]
4. Genindsæt det intense gulvmundstykke og placer agitatorens udløser system i dets position. [15c]

Udskiftning af batterierne

Dette apparat er udstyret med en aftagelig, genopladelig litium-ion batteripakke, som kan udskiftes. Derudover kan batteriet også oplades væk fra batteriet.

ADVARSEL: Brug kun godkendte udskiftningsdele for din støvsuger. Dele, som ikke er godkendt af Hoover, er farlige og gør din garanti ugyldig.

ADVARSEL: Prøv ikke selv at åbne den aftagelige batteripakke, og prøv at reparere det.

1. Tryk på udløserknappen til den aftagelige batteripakke, hvorefter den kan fjernes fra hovedenheden.
2. Fjern den gamle batteripakke, og udskift den med en ny.
3. Bortskaf batterierne på en sikker måde. Brugte batterier skal afleveres på en genbrugsstation og ikke smides ud sammen med husholdningsaffald.

* Kun til visse modeller

FEJLFINDING

Hvis du har problemer med støvsugeren, bedes du følge følgende enkle tjekliste, før du kontakter Hoovers kundeservicecenter:

A. Støvsugeren starter ikke

Kontroller om batteripakken er opladet.

Kontrollér om batteripakken sidder korrekt.

B. Tab af sugeevne eller ingen sugning

Tøm støvbeholderen og vask maskefiltret og cyklonseparatoren.

Fjern mundstykket og kontrollér for eventuel tilstopning af kanalen.

C. Batterier kan ikke oplades

Sørg for, at kontakten til kontinuerlig tilstand ikke er blevet aktiveret, eftersom dit batteri ikke vil blive opladet.

Dette kan også være tilfældet, hvis apparatet ikke har været brugt, eller opbevaret, i en længere periode.

Kontakt Hoover kundeservice for at bestille udskiftning af batteriet. Kontakt Hoover kundeservice, hvis problemet bliver ved.

HOOVER RESERVEDELE OG FORBRUGSSTOFFER

Udskift altid dele med ægte Hoover reservedele. Disse fås fra Hoovers reservedelsforhandler, check www.hoover.dk Når du bestiller dele, skal du altid opgive modelnummer.

DIN GARANTI

Garantibetingelserne for dette apparat er som defineret af vores repræsentant i det land, hvor det er solgt. Oplysninger vedrørende disse betingelser kan indhentes hos den forhandler, apparatet er købt hos. Kvitteringen skal fremvises i forbindelse med ethvert krav under disse garantibetingelser.

VIGTIGT: Batteriet fra denne støvsuger har en garanti på 6 måneder fra købsdatoen. Efter 6 måneder er kunden ansvarlig for omkostningerne for et nyt batteri.

Ret til ændringer uden varsel forbeholdes

INSTRUKSJONER FOR SIKKER BRUK

Dette apparatet må kun brukes til husrengjøring, og slik denne bruksanvisningen beskriver. Sørg for at denne veiledningene er forstått fullstendig før du bruker apparatet.

Slå alltid av og koble laderen fra støpselet før enheten rengjøres eller vedlikeholdes.

Apparatet kan brukes av barn fra 8 år, og av personer med nedsatte fysiske, sanselige eller mentale evner, eller manglende erfaring og kunnskap, dersom de er under oppsyn eller har fått opplæring i sikker bruk av apparatet og forstår farene bruk av apparatet kan medføre. Barn skal ikke leke med apparatet. Rengjøring og vedlikehold skal ikke utføres av barn uten oppsyn.

Bruken av apparatet må opphøre umiddelbart dersom strømledningen er skadet. Av sikkerhetshensyn må en autorisert Hoover-tekniker erstatte strømledningen.

Hold hender, føtter, løse klær og hår unna roterende børster.

Bruk den opprinnelige laderen som fulgte med apparatet.

Kontroller at forsyningsspenningen er den samme som er angitt på laderen.

Dette Hoover-apparatet leveres med dobbeltisolert batterilader, som kun kan settes i et 230V (britisk 240V) strømuttak.

Koble laderen til et egnet strømuttak, og koble laderens kontakt til apparatet.

Når du lader apparatet, må av/på-spaken være i av-posisjon.

La rengjøringsapparatet stå på lading i minst 24 timer før første gangs bruk. LED-lampen på batteriene lyser RØDT under lading og skifter til hvitt når ladingen er fullført.

Koble apparatet tilbake i laderen etter bruk, slik at batteriet lades opp.

Lad aldri batteriene i temperaturer over 37 °C eller under 0 °C.

Det er vanlig at laderen er varm ved berøring under lading.

Ikke koble fra laderen ved å trekke i ledningen.

Koble fra laderen dersom du er borte over langre tid (f.eks. ferie). Produktet bør lades opp igjen før bruk, da batteriene kan

selvutløses ved lengre tids lagring.

Hvis apparatet skal avhendes, bør batteriene fjernes først. Apparatet må være frakoblet strømmettet når du fjerner batteriet. Kast batteriene på en trygg måte. La apparatet gå til den stopper fordi batteriene er helt tømt. Brukte batterier bør leveres til en gjenbruksstasjon, og ikke kastes sammen med husholdningsavfall. For å fjerne batteriene, bør du kontakte Hoovers kundesenter, eller fortsette som anvist nedenfor:

VIKTIG: Tøm alltid batteriene helt før fjerning, og kontroller at laderen er koblet fra.

La rengjøringsapparatet gå til batteriene er helt tømt.

Ta laderkontakten ut av apparatet.

Trykk på knappen som frigjør batteripakken og dra den ut. [3]

Merk: Hvis du har vanskeligheter med å demontere enheten eller ønsker mer detaljert informasjon om behandling, gjenvinning og resirkulering av apparatet, ta kontakt med kommunen eller renovasjonsselskapet.

Bruk kun tilbehør, forbruksvarer eller reservedeler som anbefales eller leveres av Hoover.

Statisk elektrisitet: Enkelte tepper kan bygge opp små mengder statisk elektrisitet. Utladning av statisk elektrisitet er ikke helseskadelig.

Du må ikke bruke apparatet utendørs, på våte overflater eller til å støvsuge væske.

Du må ikke støvsuge harde eller skarpe objekter, varm aske, sigarettneiper eller andre liknende gjenstander. Apparatet må ikke utsettes for eller støvsuge opp brennbare væsker, rengjøringsmidler, aerosoler eller damp fra slike væsker.

Unngå å kjøre over ledningen eller trekke ut støpselet under bruk. Ikke fortsatt å bruke rengjøringsapparatet eller laderen hvis det virker som om det er noe feil med dem.

Hoover-service: For å sikre at apparatet fortsatt virker som det skal, og er trygt å bruke, anbefaler vi at all service og alle reparasjoner blir utført av en autorisert Hoover-tekniker.

Du må ikke bruke apparatet til å rengjøre dyr eller mennesker.

Ikke erstatt batteriene med ikke-oppladbare batterier.

Miljøet:

Dette apparatet er merket i henhold til EU-direktiv 2011/65/EC om elektrisk avfall og elektronisk utstyr (WEEE). Ved å sørge for at dette produktet avhendes på riktig måte, bidrar du til å forhindre eventuelle negative konsekvenser for miljø og menneskelig helse, som ellers kunne ha blitt forårsaket av uriktig avfallshåndtering av dette produktet. Symbolet på produktet angir at dette produktet ikke kan behandles som husholdningsavfall. Det må istedet leveres til passende oppsamlingspunkt for resirkulering av elektrisk og elektronisk utstyr. Avhendingen må gjennomføres i samsvar med lokale miljøforskrifter for avfallshåndtering. For mer informasjon om behandling, gjenvinning og resirkulering av dette produktet, ta kontakt med den kommunale etaten for avfallshåndtering eller butikken der du kjøpte produktet.



Dette produktet overholder EU-direktiv 2014/35/EU, 2014/30/EU og 2011/65/EU.

CANDY HOOVER GROUP S.r.l. Via Privata Eden Fumagalli, 20861 Brugherio (MB) Italy

PRODUKTKOMPONENTER

- | | |
|--------------------------------------|---|
| A. Hoveddel | S. Avgassfilter |
| B. Integret støvbørste | T. Svamp |
| C. Utløserknapp for røret | U. Avgassfilter-ramme |
| D. Rør | V. LED-lys for batteripakke |
| E. Utløserknapp for munnstykket | W. Utløserknapp for batteripakke |
| F. Munnstykke | X. Batteripakke |
| G. Fremre LED-lys | Y. Lader |
| H. Utløserklaff for agitator | Z. Veggmontering * |
| I. Kraftig gulwals | AA. Skruelugger * |
| J. Nettingfilter | AB. flatt munnstykke, |
| K. Enkelsyklon | AC. Tilbehørsadapter * |
| L. Søppelbøtte | AD. Opp-til-toppen-verktøy * |
| M. Utløserknapp for støvklaff | AE. Radiatorverktøy * |
| N. Utløserknapp for støvbeholder | AF. Dyprenngjørende børste * |
| O. Sprekk-dekseltopp | AG. Mini-turbo munnstykke * |
| P. Slå AV/PÅ | AH. Langt bøyetlig verktøy for sprekker * |
| Q. Bryterspak | AI. Tilbehørpose* |
| R. Utløserknapper for avtrekksfilter | |

FORBEREDING AV STØVSUGEREN

1. Før dysehodet inn på en side av røret, til du hører en klikkelyd. **[1a]**
2. Sett den andre siden av røret inn i den håndholdte enheten, til du hører en klikkelyd. **[1b]**
3. Fest veggmonteringsbraketten til veggen ved bruk av de medfølgende skrueluggene. **[2]**
4. For å lade apparatet fullstendig, koble ladepluggen inn i den avtakbare batteripakken. Det tar omtrent 6 timer. **[2,3]**

MERK: Du fjerner munnstykket ved å trykke på munnstykkets utløserknapp og trekke den unna hoveddelen.

MERK: Bruk kun laderen som ble levert med rengjøringsapparatet.

VIKTIG: Når du lader rengjøringsapparatet, må bryterspaken være i AV-posisjon. Du kan også lade batteripakken når den er demontert fra produktet.

Det er vanlig at laderen er varm ved berøring under lading.

* Bare enkelte modeller

BRUK AV APPARATET

Det er finnes tre driftsmoduser:

- **TURBO-MODUS:** Produktet vil starte med full effekt med agitatoren PÅ når du trykker på PÅ/AV-bryteren og stanser når den kobles ut. [4a]
- **ØKO-MODUS:** Produktet vil starte på laveste effekt med agitatoren PÅ når du trykker på PÅ/AV-bryteren 2 ganger på rad og stopper når den kobles ut. [4b]
- **KONTINUERLIG MODUS:** For å aktivere kontinuerlig modus, dytt spaken bakover inntil den er låst. Det anbefales å deaktivere kontinuerlig modus etter hver gang den har blitt aktivert, dette fullføres ved å enkelt trykke spaken forover til ulåst posisjon. [4b]

VIKTIG: Etter at du har brukt produktet må du alltid skyve bryterspaken frem i ulåst posisjon.

Dersom du ikke gjør det, kan det føre til at batteriet svikter eller får kortere levetid.

BESKYTTELSESSYSTEM FOR SIKKERHET

For å sørge for at produktets pålitelighet ikke påvirkes hvis det brukes under krevende forhold, har produktet et integrert Beskyttelsessystem for sikkerhet. [13]

MERK: Beskyttelsessystemet for sikkerhet vil gripe inn dersom agitatoren blokkeres eller låses, og etter inngripen vil produktet stoppe å rotere og den hvite LED-lampen foran på dysen vil slå seg av. Hvis dette skulle skje er det bare å slå av produktet og fjerne det som blokkerer agitatorene. For å fortsette med å rengjøre, trykk på på/av-knappen og produktet vil starte på nytt i turbo-modus.

BATTERI

DISPLAY-LED:

Dette rengjøringsapparatet er utstyrt med LED-lys for batteristatus.

BATTERINIVÅ:

Hvit farge: 100% - 5% lade

Blinkende hvit farge: < 5% lade

Rød farge: under ladingen

Lading kan utføres på to metoder:

Batteriet kan lades mens det er montert på produktet. [2]

Sett batteriladeren på batteriet: LED-lampen som indikerer batteristatus lyser rødt under lading. Når oppladingen er fullført vil LED-indikatoren lyse hvitt.

Opplading av batteriet når det er fjernet fra produktet. [3]

Ta ut batteriet fra produktet ved å trykke på batteriets utløserknapp.

Sett batteriladeren på batteriet: LED-lampen på batteriet vil lyse rødt under lading. Når oppladingen er fullført vil LED-indikatoren lyse hvitt.

MERK: Det er vanlig at laderen er varm ved berøring under lading. Bruk kun laderen som leveres med rengjøringsapparatet.

MERK: Dersom du ikke kommer til å bruke rengjøringsapparatet for en lengre periode, vennligst ta ut den avtakbare batteripakken fra rengjøringsapparatet for å bevare levetiden på batteriene.

TILBEHØR*

FLATT MUNNSTYKKE PÅ Plass, INTEGRERT STØVBØRSTE, MINI-TURBOMUNNSTYKKE*, TILBEHØRSADAPTER*, OPP-TIL-TOPPEN-VERKTØY*, RADIATORVERKTØY*, DYPRENGJØRENDE BØRSTE* OG LANGT BØYELIG VERKTØY FOR SPREKKER*.

Alt tilbehøret kan plasseres på hovedproduktet og på slangen. [5]

MERK: For å fjerne munnstykket eller hoveddelen fra slangen, trykk på den respektive utløserknappen og trekk delene fra hverandre.

RADIATORVERKTØY* / DYPRENGJØRENDE BØRSTE*/ OPP-TIL-TOPPEN-VERKTØY*

Tilbehør-adapteret* må benyttes når en bruker disse 3 tilbehørene. [5]

MERK: Det er kun én måte å lagre det flate munnstykket på i hovedenheten. Plasser hullet på det flate munnstykket på linje med pilen på hovedenheten, dytt det flate munnstykket inn i hovedenheten. [16]

MERK: Mini-turbodysen passer perfekt for rengjøring av tekstiloverflater (f.eks. sofaer) og fjerning av dyrehår. Skyv apparatet jevnt forover og bakover. Etter bruk må du fjerne hår/tråder som har samlet seg i børsten, om nødvendig ved hjelp av saks.

* Bare enkelte modeller

MERK: Opp-til-toppen-verktøyet rengjør enkelt steder som er høyt oppe eller vanskelige å komme til og skjøre overflater uten å ripe.

MERK: Radiatorverktøyet passer perfekt for rengjøring inni og rundt skap, radiatorer, persienner osv.

MERK: Den dyptrengjørende børsten rengjør trange områder, uten å ripe overflater, og inne i bilen din.

MERK: Det lange bøyelige sprekkverktøyet passer perfekt til rengjøring på steder der det er vanskelig å komme til, under møbler og i bilen.

TILBEHØRPOSE*

Annet tilbehør kan lagres i tilbehørposen.

VEGGMONTERING*

For lagring og for å spare plass, kan apparatet ditt monteres på veggen ved hjelp av de tre skruene og skrueluggene som følger med. [2]

VEDLIKEHOLD AV STØVSUGEREN

Tømme støvbeholderen

1. Trykk på rørets utløserknapp og ta ut røret.
2. Trykk på utløserknappen for støvklaffen for å åpne støvbeholderklaffen og tømme innholdet. [6]
3. Lukk støvbeholderen opp, du vil høre et klikk når den er helt lukket.

MERK: Det anbefales at du tømmer støvbeholderen etter hver bruk, eller når støvet når opp til makslinjen.

Rengjør støvbeholderen og filteret

1. Trykk på rørets utløserknapp og ta ut røret.
2. Trykk på utløserknappen for støvklaffen for å åpne støvbeholderklaffen og tømme innholdet. [6]
3. Trykk på batteriets utløserknapp og ta ut batteripakken. [3]
4. Trykk på støvbeholderens utløserknapp og fjern støvbeholderen fra hovedenheten. [7]
5. Vri nettingfilterets ramme i motsatt retning av klokken og ta det ut av produktet. [8]
6. Trykk på avgassfilterets utløserknapp for å fjerne avgassfilteret. [9]
7. Ta ut svampen fra avgassfilteret og ta ut avgassfilteret fra dens ramme. [10]
8. Når du rengjør avgassfilteret, vask svampen og avgassfilterets ramme i lunkent vann og la det tørke i 24 timer. Pass på at alle delene er tørre før gjenmontering. [11, 12]
9. Når du rengjør den enkelte sykklonen, vask nettingfilteret og støvbeholderen i lunkent vann og la det tørke i 24 timer. Pass på at alle delene er tørre før gjenmontering. [11, 12]
10. Sørg for at den er helt tørr før du setter den tilbake på rengjøringsapparatets hoveddel. [12]

MERK: Ikke bruk varmt vann eller rengjøringsmidler til rengjøring av filterne. I det usannsynlige tilfellet at filteret blir ødelagt, tilpass en erstatning fra Genuine Hoover. Ikke prøv å bruk produktet uten at filteret er satt inn.

VIKTIG: For å sikre optimal ytelse, bør filteret alltid holdes rent. Vi anbefaler at filteret vaskes én gang i måneden.

Slik bytter du og rengjør du Kraftig gulvvals

VIKTIG: Slå alltid av rengjøringsapparatet og fjern den avtakbare batteripakken før du endrer eller rengjør agitatorens.

1. Fjern munnstykket fra slangen. [14]
2. Plasser munnstykket med Kraftig gulvvals slik at det vender mot deg. Dra spaken for agitatorens utløser-system oppover og fjern Kraftig gulvvals. [15a]
3. Fjern all skitt, fibre og hår fra Kraftig gulvvals, ved bruk av saks. [15b]
4. Sett på plass Kraftig gulvvals og sett agitatorens utløser-system tilbake i posisjon. [15c]

Bytte batteriene

Rengjøringsapparatet er utstyrt med en oppladbar og avtakbar litiumbatteripakke som kan skiftes ut. I tillegg kan batteriet lades utenfor produktet.

ADVARSEL: Bruk bare godkjente reservedeler til rengjøringsapparatet. Å bruke deler som ikke er godkjent av Hoover er farlig og vil ugyldiggjøre garantien.

ADVARSEL: Prøv ikke å åpne den avtakbare batteripakken for å reparere den selv

1. Trykk på utløserknappen for den avtakbare batteripakken og den kan tas ut av hovedenheten.
2. Ta ut den gamle avtakbare batteripakken og skift den ut med den nye.
3. Kast batteriene på en trygg måte. Brukte batterier bør leveres til en gjenbruksstasjon, og ikke kastes sammen med husholdningsavfall.

* Bare enkelte modeller

FEILSØKING

Dersom du får problemer med rengjøringsapparatet, kan du følge denne enkle kontrollisten før du tar kontakt med Hoover kundeservice:

A. Støvsugerens slås ikke på

Kontroller om batteripakken er oppladet.
Sjekk om batteripakken er montert på plass.

B. Tap av sugeseffekt eller ingen sugeseffekt.

Tom støvsamlere og vask nettingfilteret og syklonseparatoren.
Ta av dysen og se etter blokkasje i røret.

C. Batteriene kan ikke lades

Sørg for at bryteren for kontinuerlig modus ikke har blitt aktivert da batteriet ikke vil ha ladet. Dette kan også inntreffe dersom produktet ikke har blitt brukt eller har blitt lagret for en lengre periode. Ta kontakt med Hoover kundeservice for å avtale utskifting av batteri. Ta kontakt med Hoover kundeservice dersom problemet vedvarer.

ORIGINALDELER FRA HOOVER

Bruk alltid originale deler fra Hoover. Disse er tilgjengelige fra din lokale Hoover-forhandler eller direkte fra Hoover. Når du bestiller deler, må du alltid oppgi modellnummeret ditt.

DIN GARANTI

Garantibetingelsene for dette apparatet er som definert av vår representant i det landet der det ble solgt. Detaljer vedrørende disse betingelsene fås fra forhandleren der apparatet ble kjøpt. Salgskvitteringen må fremvises ved fremsetning av krav under betingelsene i denne garantien..

VIKTIG: Batteriet som medfølger dette rengjøringsapparatet har 6 måneders garanti fra kjøpsdato. Etter seks måneder har kunden selv ansvar for å kjøpe nytt batteri.

Kan endres uten forvarsel.

INSTRUKTIONER FÖR SÄKER ANVÄNDNING

Som beskrivs i denna bruksanvisning, får denna apparat endast användas vid städning av hemmet. Se till att du förstår anvisningarna helt innan du börjar använda maskinen.

Stäng alltid av och ta bort laddaren från uttaget innan du rengör apparaten eller utför något underhåll.

Den här apparaten kan användas av barn från 8 års ålder och personer med en nedsatt fysisk, sensorisk eller mental förmåga och som inte har den erfarenhet och kunskaper som behövs, förutsatt att de övervakas eller har fått instruktioner om hur apparaten används på ett säkert vis och förstår riskerna som är involverade. Barn får inte leka med apparaten. Rengöring och underhåll som användaren ska utföra, får inte göras av barn utan överinseende.

Om nätsladden är skadad, sluta då omedelbart att använda produkten. För att undvika säkerhetsrisker så måste en behörig Hoover-servicetekniker byta nätsladden.

Håll händer, fötter, lösa klädesplagg och hår borta från roterande borstar.

Använd endast den ursprungliga laddaren som följer med apparaten.

Kontrollera att din nätspänning är samma som är angivet på laddaren.

Denna Hoover ångrengörare levereras med en dubbelisolerad batteriladdare som endast är lämplig i ett 230V (Storbritannien 240V) uttag.

Koppla in laddaren i lämpligt eluttag och anslut laddaren till apparaten.

När du laddar apparaten måste strömbrytaren vara i avslaget läge.

Ladda apparaten i minst 24 timmar innan du använder den för första gången. Batterilampan kommer att lysa röd under laddning och vit när laddningen är slutförd.

Anslut apparaten till laddaren igen efter användning för att ladda batteriet.

Ladda aldrig batterier i temperaturer över 37°C eller under 0°C.

Det är normalt att laddaren blir varm när laddning pågår.

Dra inte ut kontakten till laddaren genom att dra i kabeln.

Koppla ur laddaren vid långvarig frånvaro (semester, etc.). Ladda produkten igen innan användning då batterierna kan själv laddad ur under förlängda förvaring.

Om maskinen ska kasseras måste batterierna först tas bort. Maskinen måste kopplas bort från elnätet vid borttagning av batterierna. Kassera batterierna på ett säkert sätt. Kör apparaten tills den stannar på grund av att batterierna är helt urladdade. Användna batterier bör tas till en återvinningsstation och inte disponeras med hushållssoporna. För att ta bort batterierna, kontakta kundtjänsten på Hoover eller fortsätt enligt följande instruktioner.

VIKTIGT: Ladda alltid ur batterier helt innan de tas ut.

Kör ångregöraren till det attbatterierna är helt tomma.

Dra ur laddarens stickpropp ur apparaten.

Tryck på lossningsknappen för batteriet och skjut för att ta bort det. [3]

OBS! Om du upplever några svårigheter med att montera ner enheten eller för mer information om hantering eller återvinning av den här maskinen, var god och kontakta dina lokala myndigheter eller din återvinningsstation.

Använd endast tillbehör, förbrukningsvaror och reservdelar som rekommenderas eller levereras av Hoover.

Statisk elektricitet: vissa mattor kan orsaka en liten uppbyggnad av statisk elektricitet. Elektrostatiske urladdningar är inte hälsofarliga.

Använd inte apparaten ut ur dörrar eller på något vått underlag eller för våtupptagning.

Plocka inte upp hårda eller vassa föremål, tändstickor, het aska, fimpar eller andra liknande föremål. Plocka inte upp eller spraya med brandfarliga vätskor, rengöringsmedel, aerosoler eller ångor.

Kör inte över sladden när du använder apparaten eller dra ut kontakten genom att dra i sladden. Fortsätt inte att använda apparaten eller laddaren om den verkar vara defekt.

Hoover service: För att se till att maskinen fortsätter att vara effektiv fungerar som den ska rekommenderar vi att service och reparationer endast utförs av behöriga servicetekniker från Hoover.

Använd inte apparaten för att rengöra djur eller människor.

Ersätt inte batterierna med icke-uppladdningsbara batterier.

Miljön:

Denna produkt är märkt enligt det europeiska direktivet 2011/65/EC gällande elektroniskt avfall och elektronisk utrustning (WEEE). Genom att se till att produkten avfallshandteras på rätt sätt kan du hjälpa till att hindra möjliga negativa konsekvenser för miljö och hälsa. Symbolen på produkten visar att den inte får hanteras som hushållsavfall. Den ska i stället lämnas in på en samlingsplats för återvinning av elektrisk och elektronisk utrustning. Avfallshanderingen ska utföras enligt de lokala miljöbestämmelserna. Mer utförlig information om hantering och återvinning av produkten kan du få från kommunen, återvinningsanläggningen eller den butik där du köpte produkten.



Denna apparat uppfyller de europeiska direktiven 2014/35/EU, 2014/30/EU och 2011/65/EU.

CANDY HOOVER GROUP S.r.l. Via Privata Eden Fumagalli, 20861 Brugherio (MB) Italy

PRODUKTKOMPONENTER

- | | |
|---|---|
| A. Huvuddel | S. Utblåsningsfilter |
| B. Integrerad dammborste | T. Svamp |
| C. Frigöringsknapp för rör | U. Ram till utblåsningsfilter |
| D. Slang | V. LED-lampa batterifack |
| E. Knapp för frigörande av munstycke | W. Frigöringsknapp för batteripaket |
| F. Munstycke | X. Batteripaket |
| G. Främre LED-lampor | Y. Laddare |
| H. Omrörarens frigöringsflik | Z. Väggfäste * |
| I. Kraftig golvrulle | AA. Skruvpluggar * |
| J. Nätfiler | AB. Verktyg för springor |
| K. Enkel cyklon | AC. Tillbehörsadapter * |
| L. Dammbehållare | AD. Munstycke för rengöring på toppen * |
| M. Frigöringsknapp för dammbehållarklaff | AE. Elementmunstycke * |
| N. Frigöringsknapp för dammbehållarens lock | AF. Borste för djuprengöring * |
| O. Hölje till munstycke | AG. Mini turbomunstycke * |
| P. PÅ/AV-knapp | AH. Långt, flexibelt fogmunstycke * |
| Q. Spak | AI. Tillbehörsväska * |
| R. Frigöringsknapp utblåsningsfilter | |

FÖRBEREDA DIN DAMMSUGARE

1. För in munstyckets huvud i ena sidan av slangen tills du hör ett klickljud. **[1a]**
2. För in den andra sidan av slangen i den handhållna enheten tills du hör ett klickljud. **[1b]**
3. Fäst väggfästet i väggen med skruvar och skruvpluggar som medföljer. **[2]**
4. Anslut laddningskontakten till det avtagbara batterifacket för laddning av apparaten. Det tar cirka 6 tim. **[2,3]**

OBS! För att ta bort munstycket, tryck på utlösningssknappen till munstycket och dra bort från dammsugaren.

OBS! Använd endast laddare som medföljde ångrengöraren.

VIKTIGT: När du laddar dammsugaren måste strömbrytaren vara i avslaget läge. Du kan även ladda det avtagbara batteriet när det är avlägsnat från produkten.

Det är normalt att laddaren blir varm när laddning pågår.

* Endast vissa modeller

ANVÄNDA PRODUKTEN

Det finns tre arbetslägen:

- **TURBOLÄGE:** Produkten kommer att starta med full kraft med agitatorn på ON när du trycker på ON/OFF-knappen och stanna när den frigörs. [4a]
- **ECO-LÄGE:** Produkten kommer att starta på låg kraft med agitatorn på ON när du trycker på ON/OFF-knappen två gånger på rad och stanna när den frigörs. [4b]
- **KONTINUERLIGT LÄGE:** För att aktivera kontinuerligt läge, tryck spaken bakåt tills den låses. Vi rekommenderar att kontinuerligt läge inaktiveras efter varje användning, detta görs genom att trycka spaken framåt till det upplåsta läget. [4b]

VIKTIGT: Efter varje användning av produkten ska du se till att föra spaken framåt till den olåsta positionen. Underlåtelse att göra detta kan leda till minskad livlängd hos batteriet eller andra fel.

SÄKERHETSSKYDDSSYSTEM

För att säkerställa att produktens tillförlitlighet inte påverkas om den används under svåra förhållanden har produkten ett integrerat säkerhetsskyddssystem. [13]

OBS! Säkerhetssystemet kommer att agera om agitatorn är blockerad eller låst efter aktiverad. Agitatorn slutar rotera och de vita LED-lamporna på munstyckets framsida släcks. Om detta händer måste du stänga av din produkt och ta bort hindret i agitatorn. För att fortsätta rengöring, tryck på on/off-knappen och produkten startar igen i turbo-läge.

BATTERI

SKÄRM LED:

Denna dammsugare är utrustad med LED-lampor som indikerar batteristatus.

BATTERINIVÅ:

Vit färg: 100% - 5% ladda

Vit blinkande: < 5% ladda

Röd färg: under laddningen

Det finns två laddningsmetoder:

Ladda batteriet när det monteras i produkten. [2]

Anslut batteriladdarens stickpropp till batteriet. LED-statusindikatorn kommer att lysa rött när batteriet laddas. När laddningen är slutförd kommer LED-indikatorn att lysa vitt.

Ladda batteriet när det inte sitter i produkten. [3]

Avlägsna batteriet från produkten genom att trycka på frigöringsknappen.

Anslut batteriladdarens stickpropp till batteriet. Batteripaketets LED-lampa lyser rött under laddning. När laddningen är slutförd kommer LED-indikatorn att lysa vitt.

OBS! Det är normalt att laddaren blir varm när laddning pågår. Använd endast laddare som medföljde ångrengöraren.

OBS! Om du inte kommer att använda dammsugaren under en längre tid ska den avtagbara batterifacket avlägsnas från dammsugaren för att bibehålla batteritiden.

TILLBEHÖR*

MEDFÖLJANDE FOGMUNSTYCKE, INTEGRERAD DAMMBORSTE, MINI TURBOMUNSTYCKE*, TILLBEHÖRSADAPTER*, MUNSTYCKE FÖR RENGÖRING PÅ TOPPEN*, ELEMENTMUNSTYCKE*, BORSTE FÖR DJUPRENGÖRING* OCH LÅNGT, FLEXIBELT FOGMUNSTYCKE*.

Samtliga tillbehör kan monteras på produktstommen och på röret. [5]

OBS! Avlägsna munstycket eller huvudkroppsenheten från röret genom att trycka på respektive frigöringsknapp och dra isär.

ELEMENTMUNSTYCKE* / BORSTE FÖR DJUPRENGÖRING* / MUNSTYCKE FÖR RENGÖRING PÅ TOPPEN*

Tillbehörsadapter* måste monteras vid användning av dessa 3 tillbehör. [5]

OBS! Det finns endast ett sätt att förvara fogmestycket i huvuddelen. Anpassa springan på fogmestycket efter pilen på huvuddelen, tryck därefter i fogmestycket i huvuddelen. [16]

OBS! Det lilla turbomunstycket är perfekt för djuprengöring av ytor i textil (dvs. soffor) och för borttagning av päls. Rör det stadigt bakåt och framåt. Efter användning bör du använda en sax för att avlägsna hår/trådar som samlats på borsten om så krävs.

* Endast vissa modeller

OBS! Munstycket för rengöring på toppen når enkelt höga och svåråtkomliga platser och känsliga ytor utan att repa någonting.

OBS! Elementmunstycket är perfekt för rengöring inne i och runt skåp, element, persienner osv.

OBS! Djuprengöringsborsten är användbar för att rengöra trånga utrymmen utan att repa ytor och bilens insida.

OBS! Det långa flexibla fogmunstycket är perfekt för rengöring av områden som är svåra att komma åt, exempelvis under möbler eller i bilen.

TILLBEHÖRSVÄSKA*

Ytterligare tillbehör kan förvaras i tillbehörsväskan.

VÄGGFÄSTE*

För förvaring och för att spara plats kan din apparat monteras på väggen med hjälp av den medföljande tre skruvarna och skruvpluggarna. [2]

UNDERHÅLL AV DAMMSUGAREN

Tömma dammbehållaren

1. Tryck på rörets frigöringsknapp och avlägsna röret.
2. Tryck på frigöringsknappen till behållarklaffen för att öppna behållarklaffen och tömma innehållet. [6]
3. Stäng dammbehållaren. Ett klick hörs när den är i låst läge.

OBS! Du rekommenderas att tömma dammupsamlaren efter varje användning eller när dammet når upp till max-linjen.

Rengör dammbehållare och filter

1. Tryck på rörets frigöringsknapp och avlägsna röret.
2. Tryck på frigöringsknappen till behållarklaffen för att öppna behållarklaffen och tömma innehållet. [6]
3. Tryck på frigöringsknappen till batteripaketet och avlägsna batteripaketet. [3]
4. Tryck på frigöringsknappen till dammupsamlaren och avlägsna dammupsamlaren från huvuddelen. [7]
5. Vrid nätfiltteramen moturs och avlägsna från produkten. [8]
6. Tryck på frigöringsknappen till utblåsningsfiltret och avlägsna utblåsningsfiltret. [9]
7. Avlägsna svampen från utblåsningsfiltret och ta ut utblåsningsfiltret från sin ram. [10]
8. Rengör utblåsningsfiltret genom att tvätta svampen och utblåsningsfilterramen i ljummet vatten och låt sedan torka i 24 timmar. Säkerställ att alla delar är helt torra innan återmontering. [11, 12]
9. Rengör enkelcyklonen genom att tvätta nätfiltret och dammupsamlarbehållaren i ljummet vatten och låt sedan torka i 24 timmar. Säkerställ att alla delar är helt torra innan återmontering. [11, 12]
10. Se till att den är helt torr innan den återförs till huvuddelen av rengöringsapparaten. [12]

OBS! Använd inte het vatten eller rengöringsmedel vid rengöring av filtren. Om filtren mot förmodan skulle bli skadade, ersätt med äkta HOOVER-filter. Använd inte produkten om något filter inte sitter på plats.

VIKTIGT: För optimal prestanda bör du alltid hålla filtret rent. Vi rekommenderar att filtret tvättas en gång i månaden.

Byte och rengöring av Intense-golvrollern

VIKTIGT: Stäng alltid av dammsugaren och avlägsna det avtagbara batterifacket innan laddning eller rengöring av agitatorn.

1. Avlägsna munstycket från röret. [14]
2. Placera munstycket med Intense-golvrollern mot dig. Tryck frigöringsspaken för agitatorn uppåt och avlägsna Intense-golvrollern. [15a]
3. Avlägsna allt skräp, fiber och hår från Intense-golvrollern. [15b]
4. Sätt tillbaka Intense-golvrollern och återplacera agitatorns frigöringssystem i rätt läge. [15c]

Byta batterier

Dammsugaren är utrustad med ett laddningsbart och utbytbart litiumjonbatteri. Dessutom kan batteriet laddas avlägsnat från produkten.

VARNING: Använd endast godkända reservdelar för din dammsugare. Användning av delar som inte är godkända av Hoover är farligt och kan ogiltigförklara din garanti.

VARNING: Försök inte öppna det avtagbara batteripaketet för att själv reparera det.

1. Tryck på frigöringsknappen till det avtagbara batteripaketet och avlägsna det från huvuddelen.
2. Avlägsna det gamla avtagbara batteripaketet och byt ut med ett nytt.
3. Kassera batterierna på ett säkert sätt. Användna batterier bör tas till en återvinningsstation och inte disponeras med hushållssoporna.

* Endast vissa modeller

FELSÖKNING

Om du har något problem med din ångrengörare, följ denna enkla checklista innan du ringer Hoover kundtjänstcenter:

A. Dammsugare slår inte på

Kontrollera om batteripaketet är laddat.
Kontrollera att batterisatsen sitter på plats.

B. Förlust av insugningstryck eller inget sug alls

Töm dammkoppen och tvätta nätfiltret och cyklonavskiljaren.
Ta bort munstycket och kontrollera om det kanalen är igentäppt.

C. Batterierna kan inte laddas

Se till att knappen till det kontinuerliga läget inte har aktiverats eftersom ditt batteri då inte har laddats. Detta kan också inträffa om produkten har förvarats under en längre tid och inte har använts på länge. Kontakta Hoovers kundtjänst för att ordna batteribyte. Om problemet kvarstår kontakta Hoovers kundtjänstcenter.

HOOVER RESERVDELAR OCH FÖRBRUKNINGSVAROR

Använd alltid originaldelar från Hoover vid byte. Du kan beställa delar från närmaste Hoover-återförsäljare eller direkt från Hoover. Uppge alltid modellnummer när du beställer delar.

DIN GARANTI

Garantivillkoren för produkten definieras av vår representant i det land där produkten säljs. Du kan få uppgifter om aktuella villkor från återförsäljaren. Kvittot måste visas upp när man kräver ersättning enligt garantin.

VIKTIGT: Batteriet i denna dammsugare har en garanti på 6 månader från den dag den köptes. Efter 6 månader är kunden själv ansvarig för kostnaden för ett nytt batteri.

Specifikationerna kan ändras utan föregående meddelande.

OHJEET TURVALLISTA KÄYTTÖÄ VARTEN

Tämä laite on tarkoitettu ainoastaan kotikäyttöön tämän käyttöoppaan kuvaamalla tavalla. Tutustu tähän käyttöoppaaseen huolellisesti ennen laitteen käyttöä.

Kytke laturista virta ja irrota laturi virtalähteestä aina käytön jälkeen ja ennen kuin puhdistat laitteen tai teet huoltotoimenpiteitä.

Tätä laitetta voivat käyttää yli 8-vuotiaat lapset ja henkilöt joilla on vähentynyt fyysinen, aistillinen tai henkinen kyky tai joilla ei ole kokemusta tai tietoja, mikäli heille on annettu ohjausta ja valvontaa koskien laitteen turvallista käyttöä ja ymmärtävät käyttöön liittyvät vaaratekijät. Lapset eivät saa leikkiä laitteella. Käyttäjän suorittamaa puhdistusta ja huoltoa ei tule suorittaa lasten toimesta ilman valvontaa.

Lopeta laitteen käyttö välittömästi, jos virtajohto on vahingoittunut. Virtajohdon saa turvallisuussyistä vaihtaa vain valtuutettu Hoover-huoltoliike.

Pidä kädet, jalat, löysät vaatteet ja hiukset loitolla pyörivistä harjoista.

Käytä vain laitteen mukana toimitettua laturia.

Varmista, että laturiin merkityt arvot vastaavat syöttöjännitettä.

Tämä Hoover-laite on varustettu kaksois-eristetyllä akkulaturilla joka sopii liitettäväksi vain 230V:n (Iso-Britannia 240V) pistorasiaan.

Kytke laturi sopivaan pistorasiaan ja yhdistä laturin jakkiliitin laitteeseen.

Virtakytkimen on oltava OFF-asennossa laitteen lataamisen aikana.

Lataa laitetta ennen ensimmäistä käyttöä vähintään 24 tuntia. Akkuyksikön LED-valo on PUNAINEN latauksen aikana, ja se muuttuu VALKOISEKSI kun laite on ladattu täyteen.

Laita laite käytön jälkeen takaisin laturiin akun lataamiseksi.

Älä koskaan lataa akkuja yli 37 °C:n tai alle 0 °C:n lämpötiloissa.

Laturi lämpeneminen latauksen aikana on aivan normaalia.

Älä irrota laturia virtalähteestä johdosta vetämällä.

Irrota laturi mikäli laitetta ei käytetä pitkään aikaan (loma-ajat jne.). Lataa laite uudelleen ennen käyttöä koska akut voivat

purkaa varausta pitkien säilytysjaksojen aikana.

Jos laite hävitetään, akut on ensin poistettava. Laitteen täytyy olla irti verkkovirrasta akkua vaihdettaessa. Hävitä akut turvallisesti. Käytä laitetta kunnes se pysähtyy, jotta akut tyhjäntyvät kokonaan. Vie käytetyt akut kierrätyskeskukseen. Älä hävitä niitä kotitalousjätteen mukana. Irrottaaksesi akut ota yhteyttä valtuutettuun Hoover huoltoliikkeeseen tai noudata seuraavia ohjeita.

TÄRKEÄÄ: Tyhjennä paristot aina kokonaan ennen niiden poistamista ja varmista ettei laturi ole kytketty.

Käytä imuria kunnes akut ovat täysin tyhjä.

Irrota laturin liitin laitteesta.

Paina akun vapautuspainiketta ja liu'uta sen poistamiseksi. [3]

Huomaa: Jos sinulla on vaikeuksia purkaa laitetta tai tarvitset yksityiskohtaisempaa tietoa laitteen jälkikäsitteystä, talteenotosta ja kierrätyksestä, ota yhteyttä paikallisiin kierrätysviranomaisiin tai kotitalouksien jätehuoltoon.

Käytä ainoastaan Hooverin toimittamia tai suosittelemia kiinnityskappaleita, lisävarusteita tai varaosia.

Staattinen sähkö: jotkin matot voivat aiheuttaa vähäisen määrän staattista sähköä. Staattisen sähköön purkaus ei ole vaarallista terveydelle.

Älä käytä laitettasi ulkona tai märällä alustalla. Älä imuroi nesteitä.

Älä imuroi kovia tai teräviä esineitä, tulitikkuja, kuumaa tuhkaa, tupakantumppeja tai muita vastaavia esineitä. Älä ruiskuta laitteelle tai imuroi laitteella syttyviä nesteitä, puhdistusnesteitä, aerosoleja tai näiden höyryjä.

Älä aja laitteella verkkojohdon yli tai irrota pistoketta virtalähteestä johdosta vetämällä. Älä käytä laitetta tai laturia, jos se vaikuttaa vialliselta.

Hoover-huolto: Laitteen käyttöturvallisuuden ja tehokkaan toiminnan varmistamiseksi suosittelemme, että huolto ja korjaukset teetetään vain valtuutetussa Hoover-huollossa.

Älä käytä laitetta ihmisten tai eläinten puhdistamiseen.

Älä vaihda akkuja ei-ladattaviin akkuihin.

Ympäristö:

Tämä laite on merkitty sähkö- ja elektroniikkalaiteromusta annetun direktiivin 2011/65/EY (WEEE) mukaisesti. Hävittämällä tämän laitteen oikein estät mahdollisia ympäristölle ja ihmisterveydelle aiheutuvia haittavaikutuksia, joita saattaa syntyä laitteen väärinlaisen hävittämisen seurauksena. Laitteessa oleva symboli osoittaa, että laitetta ei saa hävittää kotitalousjätteenä. Se täytyy luovuttaa kodinkoneiden keräyspisteeseen sähkölaitteiden kierrätystä varten. Hävittäminen on suoritettava paikallisten jätteiden hävittämistä koskevien ympäristösäännösten mukaisesti. Saat lisätietoja tämän tuotteen käsitlemisestä, käyttökäytöstä ja kierrätyksestä paikallisilta viranomaisilta, kotitalouksien jätehuollosta tai liikkeestä, josta ostit tuotteen.



Tämä tuote on yhdenmukainen Euroopan direktiivien 2014/35/EU, 2014/30/EU ja 2011/65/EU kanssa.

CANDY HOOVER GROUP S.r.l. Via Privata Eden Fumagalli, 20861 Brugherio (MB) Italy

TUOTTEEN OSAT

- | | |
|--|-----------------------------------|
| A. Runko-osa | S. Poistoilmansuodatin |
| B. Integroitu pölyharja | T. Sieni |
| C. Putken vapautuspainike | U. Poistoilmansuodattimen kehikko |
| D. Putki | V. Akun merkivalo |
| E. Suulakkeen vapautus-painike | W. Akkupaketin vapautuspainike |
| F. Suulake | X. Akkupaketti |
| G. Suulakkeen etuvalot | Y. Laturi |
| H. Mattoharjan vapautusläppä | Z. Seinäasennus * |
| I. Voimakas lattiarulla | AA. Ruuvitulpat * |
| J. Verkkosuodatin | AB. Rakosuulake |
| K. Yksinkertainen pyörrepuhdistin | AC. Lisävarustesovitin * |
| L. Pölysäiliö | AD. Up To Top -suulake * |
| M. Pölysäiliön läpän vapautuspainike | AE. Lämpöpatterisuulake * |
| N. Pölysäiliön vapautuspainike | AF. Syväpuhdistusharja * |
| O. Rakosuulakkeen suojakansi | AG. Miniturbosuulake * |
| P. PÄÄLLE / POIS päältä | AH. Pitkä joustava rakosuulake * |
| Q. Kytkinvipu | AI. Lisävarustelaukku* |
| R. Poistoilmansuodattimen vapautuspainikkeet | |

LAITTEEN KOKOAMINEN

1. Asenna suulakepää putken toiseen päähän niin, että kuulet napsahduksen. **[1a]**
2. Kiinnitä putken toinen pää kannettavaan yksikköön niin, että kuulet napsahduksen. **[1b]**
3. Kiinnitä seinäasennus seinään toimitetuilla ruuveilla ja seinätulpilla. **[2]**
4. Lataa laitteen akku täyteen kiinnittämällä latausliitin irrotettavaan akkuyksikköön. Tähän kuluu noin 6 tuntia. **[2,3]**

HUOMAA: Irrottaaksesi suulakkeen, paina suulakkeen vapautus-painiketta ja vedä suulaketa runko-osasta ulospäin.

HUOMAA: Käytä vain imurisi kanssa toimitettua laturia imurin lataukseen.

TÄRKEÄÄ: Imurin latauksen aikana kytkinvivun on oltava OFF-asennossa. Voit ladata irrotettavan akkuyksikön myös silloin, kun se on irti laitteesta

On normaalia, että laturi lämpenee latauksen aikana.

* Vain joissakin malleissa

LAITTEEN KÄYTTÖ

Laitteella on kolme eri toimintatilaa:

- **TURBO-TILA:** Laite alkaa toimia täydellä teholla painettaessa ON/OFF-kytkintä ja se pysähtyy, kun kytkin vapautetaan. **[4a]**
 - **EKOTILA:** Laite alkaa toimia matalammalla teholla painettaessa ON/OFF-kytkintä kaksi kertaa peräkkäin ja se pysähtyy, kun kytkin vapautetaan. **[4b]**
 - **JATKUVA TOIMINTO:** Aktivoitaksesi jatkuvan tilan, työnnä kytkinvipua taaksepäin kunnes se lukittuu. On suositeltavaa kytkeä jatkuva tila pois päältä jokaisen käyttökerran jälkeen työntämällä kytkinvipu eteen lukitsemattomaan asentoon. **[4b]**
- TÄRKEÄÄ:** Kytkinvipu on muistettava työntää aina imurin käytön jälkeen eteen lukitsemattomaan asentoon. Muussa tapauksessa akun käyttöikä voi lyhentyä tai akku voi vahingoittua.

TURVAJÄRJESTELMÄ

Jotta tuotteen suorituskyky säilyisi myös vaativissa käyttöolosuhteissa, tuotteessa on sisäänrakennettu turvajärjestelmä. **[13]**

HUOMAA: Turvajärjestelmä aktivoituu, jos harja on jumissa tai jos se lukittuu. Kun järjestelmä aktivoituu, harja lakkaa pyörimästä ja valkoinen merkkivalo suulakkeen edessä sammuu. Jos näin tapahtuu, sammuta laite ja poista harjassa oleva tukos. Jatkaaksesi laitteen käyttöä, paina on/off-kytkintä, jolloin laite käynnistyy uudelleen turbo-tilassa.

AKKU

LED-NÄYTTÖ:

Tämä imuri on varustettu akun varauksen ilmoittavilla merkkivaloilla.

AKUN VARAUS:

Valkoinen väri: 100% - 5% lataus

Vilkkuva valkoinen väri: < 5% lataus

Punainen väri: latauksen aikana

Laite voidaan ladata kahdella eri tavalla:

Lataa akku kun se on kiinnitettyä tuotteeseen. [2]

Aseta akun latausjohto kiinni akkuun. Merkkivalo palaa ladattaessa punaisena. Kun akku on ladattu täyteen, merkkivalo palaa valkoisena.

Lataa akku kun se on irroitettu tuotteesta. [3]

Irrota akku laitteesta painamalla akun vapautuspainiketta.

Aseta akun latausjohto kiinni akkuun. Akkuyksikön merkkivalo palaa ladattaessa punaisena. Kun akku on ladattu täyteen, merkkivalo palaa valkoisena.

HUOMAA: On normaalia, että laturi lämpenee latauksen aikana. Käytä vain imurin kanssa toimitettua laturia.

HUOMAA: Jos et aio käyttää imuria pitkään aikaan, poista akkuyksikkö laitteesta säilyttääksesi akun varauksen.

LISÄVARUSTEET*

MUKANA TULEVA RAKOSUULAKE, INTEGROITU PÖLYHARJA, MINITURBOSUULAKE*, LISÄVARUSTESOVITIN*, UP TO TOP -SUULAKE*, PATERISUULAKE*, SYVÄPUHDISTUSHARJA* JA PITKÄ JOUSTAVA RAKOSUULAKE*.

Kaikki lisätarvikkeet sopivat sekä pääyksikköön että putkeen. **[5]**

HUOMAA: Poistaaksesi suulakkeen tai päärunkoyksikön putkesta, paina kyseisen osan vapautuspainiketta ja vedä osa irti.

PATERISUULAKE* / SYVÄPUHDISTUSHARJA* / UP TO TOP -SUULAKE*

Lisävarusteadapteri* pitää asentaa, kun nämä kolme lisävarustetta ovat käytössä. **[5]**

HUOMAA: Rakosuulaketta voidaan säilyttää kiinnitettyä päärunkoon vain yhdellä tavalla. Kohdista rakosuulakkeen reikä päärungossa olevan nuolen suuntaisesti ja työnnä se kiinni päärunkoon. **[16]**

HUOMAA: Miniturbosuulake sopii ihanteellisesti tekstiilipintojen (esim. sohvien) puhdistukseen ja kotieläinten karvojen poistoon. Liikuta tasaisesti taakse- ja eteenpäin. Poista tarvittaessa käytön jälkeen harjaan kertyneet karvat/langat saksilla.

HUOMAA: Up to top -suulakkeella on helppo puhdistaa korkeat ja vaikeasti saavutettavat paikat. Se puhdistaa myös herkät pinnat ilman naarmuja.

* Vain joissakin malleissa

HUOMAA: Patterisuulake sopii ihanteellisesti kaappien, pattereiden, kaihdinten jne. sisäosien ja ympäryksen puhdistamiseen.

HUOMAA: Syväpuhdistusharjalla puhdistuvat kätevästi ahtaat paikat, pintoja naarmuttamatta, sekä autojen sisätilat.

HUOMAA: Pitkä joustava rakosuulake sopii ihanteellisesti puhdistamaan vaikeapääsyisiä paikkoja, huonekalujen alta ja autojen sisätiloja.

LISÄVARUSTELAUKKU*

Lisävarusteita voi säilyttää lisävarustelaukussa.

SEINÄASENNUS*

Säästääkseen tilaa säilytyksessä, laitteesi voidaan kiinnittää seinälle pakkauksessa mukana toimitetuilla ruuveilla ja ruuvitulvilla. [2]

LAITTEEN KUNNOSSAPITO

Pölysäiliön tyhjennys

1. Paina putken vapautuspainiketta ja irrota putki.
2. Paina pölysäiliön kannen vapautuspainiketta säiliön avaamiseksi ja tyhjennä se. [6]
3. Sulje pölysäiliö; sen lukituessa kuuluu napsahdus.

HUOMAA: Pölysäiliö kannattaa tyhjentää aina käytön jälkeen tai kun se on täynnä maksimirajaan asti.

Puhdista pölysäiliö ja suodatin

1. Paina putken vapautuspainiketta ja irrota putki.
2. Paina pölysäiliön kannen vapautuspainiketta säiliön avaamiseksi ja tyhjennä se. [6]
3. Paina akun vapautuspainiketta ja irrota akkuyksikkö. [3]
4. Paina pölysäiliön vapautuspainiketta ja irrota pölysäiliö imurista. [7]
5. Käännä verkkosuodatinta vastapäivään ja irrota se laitteesta. [8]
6. Irrota poistoilmansuodatin painamalla sen vapautuspainikkeita. [9]
7. Irrota sieni poistoilmansuodattimesta ja poista suodatin kehikostaan. [10]
8. Pese poistoilmansuodattimen sieni ja kehikko haalealla vedellä ja anna kuivua 24 tunnin ajan. Varmista, että kaikki osat ovat kokonaan kuivia ennen niiden takaisin asentamista. [11, 12]
9. Pese yksinkertaisen pyörrepuhdistimen verkkosuodatin ja pölysäiliö haalealla vedellä ja anna kuivua 24 tunnin ajan. Varmista, että kaikki osat ovat kokonaan kuivia ennen niiden takaisin asentamista. [11, 12]
10. Varmista että se on täysin kuiva ennen kuin palautat sen imurin runko-osaan. [12]

HUOMAA: Älä käytä kuumaa vettä tai puhdistusaineita suodattimia puhdistessa. Jos suodatin vaurioituu, mikä on epätodennäköistä, hanki tilalle aito Hoover-varaosa. Älä yritä käyttää laitetta ilman suodatinta.

TÄRKEÄÄ: Optimaalisen toimivuuden osalta, pidä suodattimesi aina puhtaana. Suosittelemme että suodatin pestään kerran kuukaudessa.

Teholattiharjan vaihto ja puhdistus

TÄRKEÄÄ: Sammuta imuri ja irrota akkuyksikkö aina ennen kuin vaihdat tai puhdistat mattoharjan.

1. Irrota suulake putkesta. [14]
2. Aseta suulakkeessa oleva tehollattiharja itseäsi kohti. Vedä harjan vapautuspainikkeen kytkintä ylöspäin ja irrota tehollattiharja. [15a]
3. Poista kaikki ylimääräiset jätteet, kuidut ja hiukset tehollattiharjasta käyttämällä saksia. [15b]
4. Kiinnitä tehollattiharja takaisin paikoilleen ja aseta harjan vapautusjärjestelmä paikoilleen. [15c]

Akkujen vaihtaminen

Imurissa on ladattava litiumioniakkuyksikkö, jonka voi vaihtaa. Akku voidaan ladata myös silloin, kun se on irrotettu laitteesta

VAROITUS: Asenna imuriin vain hyväksytyt varaosia. Varaosien, jotka eivät ole Hooverin hyväksymiä, käyttäminen on vaarallista ja mitätöi takuun.

VAROITUS: Älä yritä avata ja korjata akkuyksikköä itse.

1. Akkuyksikkö voidaan irrottaa imurin rungosta painamalla akun vapautuspainiketta.
2. Irrota vanha akkuyksikkö ja laita tilalle uusi.
3. Hävitä akut turvallisesti. Vie käytetyt akut kierrätyskeskukseen. Älä hävitä niitä kotitalousjätteen mukana.

* Vain joissakin malleissa

VIANMÄÄRITYS

Mikäli sinulla on mitään ongelmia imurisi kanssa, noudata seuraavaa yksinkertaista tarkistuslistaa ennen kuin soitat valtuutettuun Hoover huoltoliikkeeseen:

A. Imuri ei käynnisty

Tarkista, onko akkuyksikkö ladattu.
Tarkista, onko akkupaketti asennettu paikalleen.

B. Imun vähäisyys tai ei imua.

Tyhjennä pölysäiliö ja pese verkkosuodatin ja pyörre-erotin.
Irrota suulake ja tarkista, ettei putkessa ole tukoksia.

C. Akku ei voida ladata

Varmista, että jatkuvan tilan kytkin ei ole päällä, sillä siinä tapauksessa akku ei lataudu. Näin voi käydä myös siinä tapauksessa, että laitetta ei ole käytetty, tai se on ollut varastoituna pitkään. Ota yhteyttä valtuutettuun Hoover huoltoliikkeeseen, mistä voit ostaa uudet akut. Mikäli ongelma ei ratkea, ota yhteyttä valtuutettuun Hoover huoltoliikkeeseen.

HOOVER-VARAOSAT JA -TARVIKKEET

Käytä vain alkuperäisiä Hoover-varaosia. Niitä on saatavana paikalliselta Hoover- jälleenmyyjältä tai valtuutetusta huoltoliikkeestä. Mainitse varaosatilauksen yhteydessä laitteen tyyppinumero.

TAKUU

Tämän laitteen takuehdot määrittelee ostomaan Hoover-edustaja. Yksityiskohtaiset tiedot näistä ehdoista saa laitteen myyneeltä jälleenmyyjältä. Tämän takuun mukaisia vaateita esitettäessä on esitettävä myyntitodistus tai ostokuitti.

TÄRKEÄÄ: Tämän imurin akun takuu on 6 kuukautta ostopäivästä. 6 kuukauden jälkeen asiakkaan on maksettava uusi akku.

Oikeus muutoksiin pidätetään.

ΟΔΗΓΙΕΣ ΑΣΦΑΛΟΥΣ ΧΡΗΣΗΣ

Η συσκευή πρέπει να χρησιμοποιείται αποκλειστικά για οικιακή χρήση, σύμφωνα με τις οδηγίες χρήσης. Πριν δοκιμάσετε να χρησιμοποιήσετε τη συσκευή, βεβαιωθείτε ότι έχετε κατανοήσει τις οδηγίες που περιέχει το βιβλίο που κρατάτε στα χέρια σας.

Πριν από τον καθαρισμό της συσκευής ή οποιαδήποτε εργασία συντήρησης να απενεργοποιείτε πάντα τη συσκευή και να βγάζετε το φορτιστή από την πρίζα.

Η χρήση της συσκευής από παιδιά άνω των 8 ετών, ηλικιωμένους και ΑΜΕΑ προϋποθέτει την παρουσία ενήλικα που θα φέρει την ευθύνη για την ασφαλεία τους. Η χρήση της συσκευής από άτομα που δεν έχουν εξοικειωθεί στη χρήση παρόμοιων συσκευών μπορεί να γίνει μόνο αφού γίνει κατανοητός ο κίνδυνος που ενέχει η χρήση της συσκευής. Μην αφήνετε τα παιδιά να παίζουν με τη συσκευή. Οι εργασίες καθαρισμού και συντήρησης της συσκευής δεν πρέπει να γίνονται από τα παιδιά χωρίς την επίβλεψη ενήλικα που θα φέρει την ευθύνη για την ασφαλεία τους.

Εάν το καλώδιο σύνδεσης με το δίκτυο παροχής εμφανίσει φθορές διακόψτε την λειτουργία της συσκευής αμέσως. Για λόγους ασφάλειας η αντικατάσταση του φθαρμένου καλωδίου της συσκευής πρέπει να γίνεται αποκλειστικά στα σημεία τεχνικής υποστήριξης Hoover.

Μην πλησιάζετε τις περιστρεφόμενες βούρτσες με τα χέρια, τα πόδια, τα μαλιά ή τα ρούχα σας.

Χρησιμοποιείτε μόνο τον αυθεντικό φορτιστή που παρέχεται με τη συσκευή.

Ελέγξτε ότι η τάση τροφοδοσίας είναι η ίδια με αυτή που αναγράφεται στο φορτιστή.

Η συσκευή Hoover διατίθεται με φορτιστή μπαταρίας με διπλή μόνωση, ο οποίος είναι κατάλληλος μόνον για πρίζες με τάση 230 V (240 V - Ηνωμένο Βασίλειο).

Βάλτε τον φορτιστή σε κατάλληλη πρίζα και συνδέστε το βύσμα του φορτιστή στη συσκευή.

Κατά τη φόρτιση της συσκευής ο διακόπτης τροφοδοσίας πρέπει να βρίσκεται στη θέση OFF.

Πριν από την πρώτη χρήση, φορτίστε τη συσκευή για τουλάχιστον 24 ώρες. Η λυχνία LED της μπαταρίας θα ανάψει με κόκκινο χρώμα κατά τη διάρκεια της φόρτισης και θα μετατραπεί σε ΛΕΥΚΟ όταν είναι πλήρως φορτισμένη.

Μετά τη χρήση, βάλτε τη συσκευή στον φορτιστή για την επαναφόρτιση της μπαταρίας.

Μη φορτίζετε ποτέ τις μπαταρίες σε θερμοκρασία μεγαλύτερη από 37°C ή μικρότερη από 0°C.

Κατά την διάρκεια της φόρτισης ο φορτιστής θερμαίνεται .

Μην αποσυνδέετε το φορτιστή τραβώντας το καλώδιο.

Σε περίπτωση μακράς απουσίας (διακοπές, κλπ) αποσυνδέστε τον φορτιστή από την παροχή. Σε μακροχρόνιες περιόδους αποθήκευσης της συσκευής, επαναφορτίστε την συσκευή πριν την χρησιμοποιήσετε, καθώς οι μπαταρίες μπορεί να έχουν αδειάσει.

Εάν η συσκευή πρόκειται να απορριφθεί, πρώτα πρέπει να αφαιρεθούν οι μπαταρίες. Η συσκευή πρέπει να αποσυνδεθεί από το ηλεκτρικό δίκτυο κατά την αφαίρεση των μπαταριών. Απορρίψτε τις μπαταρίες με ασφαλή τρόπο. Αφήστε τη συσκευή να λειτουργεί μέχρι να σταματήσει λόγω πλήρους εκφόρτισης των μπαταριών. Οι χρησιμοποιημένες μπαταρίες πρέπει να προσκομίζονται σε ένα σταθμό ανακύκλωσης και δεν πρέπει να απορρίπτονται με τα οικιακά απορρίμματα. Για να αφαιρέσετε τις μπαταρίες, επικοινωνήστε με το κέντρο εξυπηρέτησης πελατών της Hoover ή ακολουθήστε τις παρακάτω οδηγίες.

ΕΠΙΣΗΜΑΝΣΗ : Αδειάστε πλήρως τις μπαταρίες πριν τις αφαιρέσετε.

Λειτουργείστε τη σκούπα μέχρι να αδειάσουν πλήρως οι μπαταρίες.

Βγάλτε το βύσμα του φορτιστή από τη συσκευή.

Πατήστε το κουμπί απελευθέρωσης της μπαταρίας και σύρετε για να την αφαιρέσετε. [3]

Σημείωση: Εάν συναντήσετε δυσκολίες κατά την αποσυναρμολόγηση της μονάδας ή για περισσότερες πληροφορίες σχετικά με την επεξεργασία, την ανάκτηση ή την ανακύκλωση αυτής της συσκευής, επικοινωνήστε με την αρμόδια δημοτική αρχή ή την υπηρεσία απόρριψης οικιακών απορριμμάτων της περιοχής σας.

Χρησιμοποιείτε μόνο αξεσουάρ, αναλώσιμα ή ανταλλακτικά που συνιστώνται ή παρέχονται από τη Hoover.

Στατικός ηλεκτρισμός: ορισμένα χαλιά μπορεί να προκαλέσουν συσσώρευση στατικού ηλεκτρισμού. Τυχόν στατικές εκκενώσεις δεν είναι επικίνδυνες για την υγεία.

Μην χρησιμοποιείτε τη συσκευή σας σε εξωτερικούς χώρους , σε υγρή επιφάνεια ή για τη συλλογή υγρών.

Μην συλλέγετε με τη συσκευή σκληρά ή αιχμηρά αντικείμενα, καυτή στάχτη, αποτσίγαρα ή άλλα παρόμοια αντικείμενα. Μην ψεκάσετε ή συλλέγετε εύφλεκτα υγρά, υγρά καθαρισμού, αερολύματα ή τους ατμούς τους.

Ενόσω χρησιμοποιείτε τη συσκευή δεν πρέπει να πατάτε επάνω στο καλώδιο ,μην τραβάτε το καλώδιο για να αποσυνδέσετε τη συσκευή από την παροχή. Μη συνεχίσετε να χρησιμοποιείτε τη συσκευή ή το φορτιστή αν παρουσιάζουν βλάβη.

Service Hoover: Για τις εργασίες συντήρησης ή αποκατάστασης κακής λειτουργίας ή βλάβης πρέπει να απευθύνεστε αποκλειστικά στα κέντρα τεχνικής υποστήριξης Hoover, έτσι εξασφαλίζετε την ασφαλή και αποτελεσματική λειτουργία της συσκευής

Μην χρησιμοποιείτε τη συσκευή για να καθαρίζετε ζώα ή άτομα.

Μην αντικαθιστάτε τις μπαταρίες με μη επαναφορτιζόμενες μπαταρίες.

Περιβάλλον:

Αυτή η συσκευή φέρει σήμανση σύμφωνα με την υπ' αριθμ. 2011/65/ΕΚ, οδηγία για Απόβλητα Ηλεκτρικού και Ηλεκτρονικού Εξοπλισμού (WEEE). Η σωστή απόσυρση της συσκευής συμβάλλει στην αποφυγή αρνητικών επιπτώσεων για το περιβάλλον και τον άνθρωπο που μπορεί να προκληθούν από την λανθασμένη διαχείριση στην διαδικασία απόσυρσης της συσκευής. Η σήμανση του προϊόντος επισημαίνει ότι το συγκεκριμένο προϊόν δεν πρέπει να απορρίπτεται μαζί με τα οικιακά απορρίμματα. Η συσκευή αυτή πρέπει να αποσυρθεί στα ειδικά σημεία συγκέντρωσης για ανακύκλωση ηλεκτρικού και ηλεκτρονικού εξοπλισμού. Η απόρριψη της συσκευής πρέπει να γίνει σύμφωνα με την ισχύουσα κατά τόπο νομοθεσία για την απόρριψη ηλεκτρονικών και ηλεκτρικών αποβλήτων. Για περισσότερες πληροφορίες σχετικά με τη διαχείριση, την ανάκτηση και την ανακύκλωση του προϊόντος, επικοινωνήστε με την αρμόδια τοπική υπηρεσία, την υπηρεσία αποκομιδής οικιακών απορριμμάτων ή το κατάστημα που το αγοράσατε.



Αυτή η συσκευή πληροί τις υπ' αριθμ. 2014/35/EU, 2014/30/EU και 2011/65/EU Ευρωπαϊκές Οδηγίες.

CANDY HOOVER GROUP S.r.l. Via Privata Eden Fumagalli, 20861 Brugherio (MB) Italy

ΕΞΑΡΤΗΜΑΤΑ ΤΟΥ ΠΡΟΪΟΝΤΟΣ

- | | |
|--|--|
| A. Κυρίως σώμα | S. Φίλτρο απαγωγής |
| B. Ενσωματωμένη βούρτσα ξεσκονίσματος | T. Σφουγγάρι |
| C. Κουμπί απελευθέρωσης σωλήνα | U. Πλαίσιο φίλτρου εξαγωγής |
| D. Σωλήνας | V. Φως led συστοιχίας μπαταριών |
| E. Πλήκτρο Απασφάλισης Ακροφυσίου | W. Κουμπί Απελευθέρωσης Συστοιχίας Μπαταριών |
| F. Ακροφύσιο | X. Συστοιχία Μπαταριών |
| G. Μπροστινά φώτα led | Y. Φορτιστής |
| H. Πτερύγιο απασφάλισης αναδευτήρα | Z. Επιτοίχια Τοποθέτηση * |
| I. Δυνατός Κύλινδρος Καθαρισμού Δαπέδου | AA. Πώματα βιδών * |
| J. Φίλτρο Πλέγματος | AB. Ρύγχος καθαρισμού |
| K. Μονός κυκλώνας | AC. Προσαρμογέας αξεσουάρ * |
| L. Κάδος σκόνης | AD. Εργαλείο επάνω μέρος * |
| M. Κουμπί απελευθέρωσης πτερυγίου σκόνης | AE. Εργαλείο καλοριφέρ * |
| N. Κουμπί απασφάλισης δοχείου σκόνης | AF. Βούρτσα για βαθύ καθαρισμό * |
| O. Καπάκι καλύμματος σχισμών | AG. Ακροφύσιο Mini Turbo * |
| P. Διακόπτης ON/OFF | AH. Μακρύ εύκαμπτο εργαλείο σχισμών * |
| Q. Μοχλός Διακόπτη | AI. Τσάντα Αξεσουάρ * |
| R. Κουμπιά απελευθέρωσης φίλτρου εξόδου | |

ΠΡΟΕΤΟΙΜΑΣΙΑ ΤΗΣ ΣΚΟΥΠΑΣ

1. Βάλτε την κεφαλή του ακροφυσίου στη μια πλευρά του σωλήνα μέχρι να ακούσετε ένα "κλικ" κουμπώματος. **[1a]**
2. Βάλτε την άλλη πλευρά του σωλήνα στη μονάδα χειρός μέχρι να ακούσετε ένα "κλικ". **[1b]**
3. Στερεώστε την επιτοίχια βάση στον τοίχο με τις βίδες και τα ούλα που παρέχονται. **[2]**
4. Για να φορτίσετε πλήρως τη συσκευή, συνδέστε το βύσμα της υποδοχής φόρτισης στην αποσπώμενη μπαταρία. Θα χρειαστούν περίπου 6 ώρες. **[2,3]**

ΣΗΜΕΙΩΣΗ: Για να αφαιρέσετε το ακροφύσιο, πιέστε το πλήκτρο απασφάλισης του ακροφυσίου και τραβήξτε το από το κυρίως σώμα της σκούπας.

ΣΗΜΕΙΩΣΗ: Για να φορτίσετε τη συσκευή χρησιμοποιείτε αποκλειστικά το φορτιστή που διατίθεται με τη σκούπα σας.

ΕΠΙΣΗΜΑΝΣΗ: Όταν φορτίζετε την σκούπα ο μοχλός διακόπτη πρέπει να είναι στη θέση OFF. Μπορείτε επίσης να φορτίσετε την αποσπώμενη μπαταρία όταν απελευθερώνεται από το προϊόν.

Κατά τη φόρτιση, ο φορτιστής θερμαίνεται.

* Μόνο ορισμένα μοντέλα

ΟΔΗΓΙΕΣ ΧΡΗΣΕΩΣ

Υπάρχουν τρεις τρόποι λειτουργίας:

- **ΤΡΟΠΟΣ ΛΕΙΤΟΥΡΓΙΑΣ TURBO:** Το προϊόν θα ξεκινήσει σε πλήρη ισχύ με το αναδευτήρα ΕΝΕΡΓΟΠΟΙΗΜΕΝΟ όταν πατήσετε τον διακόπτη ON/OFF και θα σταματήσει όταν τον αφήσετε. **[4a]**
- **ΛΕΙΤΟΥΡΓΙΑ ECO:** Το προϊόν θα ξεκινήσει σε χαμηλότερη ισχύ με το αναδευτήρα ΕΝΕΡΓΟΠΟΙΗΜΕΝΟ όταν πατήσετε τον διακόπτη ON/OFF 2 φορές συνεχόμενα και θα σταματήσει όταν τον αφήσετε. **[4b]**
- **ΣΥΝΕΧΗΣ ΛΕΙΤΟΥΡΓΙΑ** Για να ενεργοποιηθεί η συνεχή λειτουργία, πιέστε πίσω τον μοχλό μέχρι να ασφαλιστεί. Συνιστάται να απενεργοποιείτε τη συνεχή λειτουργία μετά από κάθε περίοδο χρήσης, που ολοκληρώνεται απλά πατώντας τον μοχλό προς τα εμπρός στην ξεκλειδωτή θέση. **[4b]**

ΕΠΙΣΗΜΑΝΣΗ : Μετά από κάθε χρήση του προϊόντος, βεβαιωθείτε ότι γυρίσατε το διακόπτη προς την ξεκλειδωτή θέση. Αν παραλείψετε να το κάνετε μπορεί να έχει ως αποτέλεσμα μειωμένη διάρκεια ζωής ή αστοχία της μπαταρίας.

ΣΥΣΤΗΜΑ ΑΣΦΑΛΕΙΑΣ ΓΙΑ ΠΡΟΣΤΑΣΙΑ

Για να διασφαλιστεί ότι η αξιοπιστία του προϊόντος δεν επηρεάζεται αν χρησιμοποιηθεί σε αντίξοες συνθήκες, το προϊόν διαθέτει ένα ολοκληρωμένο σύστημα ασφαλείας και προστασίας. **[13]**

ΣΗΜΕΙΩΣΗ: Το σύστημα προστασίας της ασφάλειας θα ενεργοποιηθεί αν ο αναδευτήρας παρουσιάσει εμπλοκή ή κλειδώσει, αφού ενεργοποιηθεί, ο αναδευτήρας θα σταματήσει και η λευκή φωτεινή ένδειξη Led στο εμπρός άκρο του ακροφυσίου θα σβήσει. Αν συμβεί αυτό, απλά κλείστε το προϊόν και αφαιρέστε το εμπόδιο από τον αναδευτήρα. Για να συνεχίσετε το καθαρίσμα, πατήστε το κουμπί ενεργοποίησης/απενεργοποίησης και το προϊόν θα επανεκκινηθεί σε λειτουργία turbo.

ΜΠΑΤΑΡΙΑ

ΟΘΩΝΗ LED:

Αυτή η σκούπα είναι εξοπλισμένη με λυχνίες LED κατάστασης μπαταρίας.

ΕΠΙΠΕΔΟ ΜΠΑΤΑΡΙΑΣ:

Άσπρο χρώμα: 100% - 5% φόρτιση

Αναβρασβήνει Λευκό χρώμα: < 5% φόρτιση

Κόκκινο χρώμα: κατά τη διάρκεια της φόρτισης

Υπάρχουν 2 μέθοδοι φόρτισης:

Φορτίστε τη μπαταρία όταν είναι τοποθετημένη στο προϊόν. [2]

Τοποθετήστε το βύσμα του φορτιστή μπαταρίας στη μπαταρία. Η ένδειξη κατάστασης LED θα ανάψει με κόκκινο χρώμα κατά τη φόρτιση. Όταν η φόρτιση ολοκληρωθεί, το LED θα ανάψει λευκό.

Φορτίστε τη μπαταρία όταν την βγάλετε από το προϊόν. [3]

Βγάλτε την μπαταρία από το προϊόν πατώντας το κουμπί απελευθέρωσης της μπαταρίας.

Τοποθετήστε το βύσμα του φορτιστή μπαταρίας στη μπαταρία. Το ενδεικτικό LED μπαταρίας θα ανάψει με κόκκινο χρώμα κατά τη φόρτιση. Όταν η φόρτιση ολοκληρωθεί, το LED θα ανάψει λευκό.

ΣΗΜΕΙΩΣΗ: Κατά τη φόρτιση, ο φορτιστής θερμαίνεται. Χρησιμοποιείτε μόνο τον φορτιστή που συνοδεύει τη συσκευή σας.

ΣΗΜΕΙΩΣΗ: Αν δεν πρόκειται να χρησιμοποιήσετε τη σκούπα για μεγάλο χρονικό διάστημα, αφαιρέστε την αποσπώμενη μπαταρία από τη σκούπα για να διατηρήσετε τη διάρκεια ζωής της μπαταρίας.

ΕΞΑΡΤΗΜΑΤΑ*

ΕΝΣΩΜΑΤΩΜΕΝΟ ΕΡΓΑΛΕΙΟ ΣΧΙΣΜΩΝ, ΕΝΣΩΜΑΤΩΜΕΝΗ ΒΟΥΡΤΣΑ ΞΕΣΚΟΝΙΣΜΑΤΟΣ, ΑΚΡΟΦΥΣΙΟ ΜΙΝΙ TURBO*, ΠΡΟΣΑΡΜΟΓΕΑΣ ΑΞΕΣΟΥΑΡ*, ΕΡΓΑΛΕΙΟ ΕΠΑΝΩ ΜΕΡΟΥΣ*, ΕΡΓΑΛΕΙΟ ΚΑΛΟΡΙΦΕΡ*, ΒΟΥΡΤΣΑ ΓΙΑ ΒΑΘΎ ΚΑΘΑΡΙΣΜΟ* ΚΑΙ ΜΑΚΡΎ ΕΥΚΑΜΠΤΟ ΕΡΓΑΛΕΙΟ ΣΧΙΣΜΩΝ*.

Όλα τα βοηθητικά εξαρτήματα μπορούν να τοποθετηθούν στο κύριο προϊόν και στον σωλήνα. [5]

ΣΗΜΕΙΩΣΗ: Για να αφαιρέσετε το ακροφύσιο ή τη μονάδα κύριου σώματος από τον σωλήνα, πατήστε το αντίστοιχο κουμπί απελευθέρωσης και τραβήξτε το προς τα έξω.

ΕΡΓΑΛΕΙΟ ΚΑΛΟΡΙΦΕΡ* / ΒΟΥΡΤΣΑ ΓΙΑ ΒΑΘΎ ΚΑΘΑΡΙΣΜΟ* / ΕΡΓΑΛΕΙΟ ΕΠΑΝΩ ΜΕΡΟΥΣ*

Ο προσαρμογέας εξαρτήματος* πρέπει να τοποθετηθεί όταν χρησιμοποιείτε αυτά τα 3 εξαρτήματα. [5]

ΣΗΜΕΙΩΣΗ: Υπάρχει μόνο ένας τρόπος αποθήκευσης του εργαλείου σχισμών στο κύριο σώμα. Ευθυγραμμίστε την εγκοπή στο εργαλείο σχισμών με το βέλος στο κύριο σώμα, σπρώξτε το εργαλείο σχισμών στο κύριο σώμα. [16]

ΣΗΜΕΙΩΣΗ: Το ακροφύσιο μίνι turbo είναι ιδανικό για βαθύ καθαρισμό υφασμάτων επιφανειών (π.χ. καναπέδες) και απομάκρυνση

* Μόνο ορισμένα μοντέλα

τριχώματος κατοικίδιων. Μετακινήστε το σταθερά εμπρός και πίσω. Μετά τη χρήση, αφαιρέστε τρίχες/κλωστές που μαζεύονται στη βούρτσα με ψαλίδι αν χρειαστεί.

ΣΗΜΕΙΩΣΗ: Το εργαλείο για το επάνω μέρος μπορεί να καθαρίσει εύκολα ψηλά και δύσκολη πρόσβασης σημεία και ευαίσθητες επιφάνειες χωρίς να χαράξει.

ΣΗΜΕΙΩΣΗ: Το εργαλείο για καλοριφέρ είναι ιδανικό για να καθαρίζετε μέσα και γύρω από ντουλάπια, καλοριφέρ, στόρια και άλλα.

ΣΗΜΕΙΩΣΗ: Η βούρτσα για βαθύ καθαρισμό είναι χρήσιμη για να καθαρίζετε στενούς χώρους χωρίς να χαράξετε τις επιφάνειες και για το αυτοκίνητο.

ΣΗΜΕΙΩΣΗ: Το μακρύ εύκαμπτο εργαλείο για σχισμές είναι ιδανικό για καθαρισμό δύσκολων σημείων και κάτω από έπιπλα και για το αυτοκίνητο.

ΤΣΑΝΤΑ ΑΞΕΣΟΥΑΡ*

Πρόσθετα αξεσουάρ μπορείτε να τα αποθηκεύσετε στη τσάντα αξεσουάρ.

ΕΠΙΤΟΙΧΙΑ ΤΟΠΟΘΕΤΗΣΗ*

Για αποθήκευση και εξοικονόμηση χώρου, η συσκευή σας μπορεί να στερεωθεί στον τοίχο σας χρησιμοποιώντας τις τρεις βίδες και τα βύσματα που περιλαμβάνονται. [2]

ΣΥΝΤΗΡΙΣΗ ΚΑΙ ΚΑΘΑΡΙΣΜΟΣ

Άδειασμα του δοχείου σκόνης

1. Πατήστε το κουμπί απελευθέρωσης του σωλήνα και αφαιρέστε τον σωλήνα.
2. Πατήστε το κουμπί απελευθέρωσης του πτερυγίου σκόνης για να ανοίξετε το καπάκι του κάδου και να αδειάσετε τα περιεχόμενα. [6]
3. Κλείστε το κύπελλο σκόνης προς τα πάνω, θα ακούσετε ένα κλικ όταν κουμπώσει καλά.

ΣΗΜΕΙΩΣΗ: Συνιστάται να αδειάζετε το δοχείο σκόνης μετά από κάθε χρήση ή όταν η σκόνη είναι μέχρι τη γραμμή μέγιστης πλήρωσης.

Καθαρίστε το δοχείο σκόνης και το φίλτρο

1. Πατήστε το κουμπί απελευθέρωσης του σωλήνα και αφαιρέστε τον σωλήνα.
2. Πατήστε το κουμπί απελευθέρωσης του πτερυγίου σκόνης για να ανοίξετε το καπάκι του κάδου και να αδειάσετε τα περιεχόμενα. [6]
3. Πατήστε το κουμπί απελευθέρωσης της μπαταρίας και αφαιρέστε τη μπαταρία. [3]
4. Πατήστε το κουμπί απελευθέρωσης κάδου σκόνης και αφαιρέστε τον κάδο σκόνης από το κύριο σώμα. [7]
5. Γυρίστε το φίλτρο πλέγματος αριστερόστροφα και αφαιρέστε το από το προϊόν. [8]
6. Πατήστε τα κουμπιά απελευθέρωσης του φίλτρου εξαγωγής για να αφαιρέσετε το φίλτρο εξαγωγής. [9]
7. Αφαιρέστε το σφουγγάρι από το φίλτρο εξαγωγής και βγάλτε το φίλτρο εξαγωγής από το πλαίσιο του. [10]
8. Κατά τον καθαρισμό του φίλτρου εξαγωγής, πλύνετε το σφουγγάρι και το πλαίσιο του φίλτρου εξαγωγής σε χλιαρό νερό και αφήστε το να στεγνώσει για 24 ώρες. Βεβαιωθείτε ότι όλα τα μέρη είναι εντελώς στεγνά πριν την επανασυναρμολόγηση. [11, 12]
9. Κατά τον καθαρισμό του μεμονωμένου κυκλώνα, πλύνετε το φίλτρο πλέγματος και το δοχείο σκόνης σε χλιαρό νερό και αφήστε τα να στεγνώσουν για 24 ώρες. Βεβαιωθείτε ότι όλα τα μέρη είναι εντελώς στεγνά πριν την επανασυναρμολόγηση. [11, 12]
10. Βεβαιωθείτε ότι είναι εντελώς στεγνό πριν τοποθετήσετε στο κυρίως σώμα της σκούπας. [12]

ΣΗΜΕΙΩΣΗ: Μην χρησιμοποιείτε ζεστό νερό ή απορρυπαντικά για το πλύσιμο των φίλτρων. Στην απίθανη περίπτωση βλάβης των φίλτρων εξαγωγής, τοποθετήστε αυθεντικό ανταλλακτικό Hoover. Μην δοκιμάζετε και μη χρησιμοποιείτε το προϊόν χωρίς φίλτρο.

ΕΠΙΣΗΜΑΝΣΗ : Για μέγιστη απόδοση, φροντίστε το φίλτρο σας να είναι πάντα καθαρό. Συνιστούμε να καθαρίζετε το φίλτρο μια φορά το μήνα.

Αλλαγή και Καθαρισμός του κύλινδρου έντονου καθαρισμού δαπέδου

ΕΠΙΣΗΜΑΝΣΗ : Απενεργοποιείτε πάντα τη σκούπα και αφαιρέστε την αποσιώπητη μπαταρία πριν αλλάξετε ή καθαρίσετε τον αναδευτήρα.

1. Αφαιρέστε το ακροφύσιο από τον σωλήνα. [14]
2. Τοποθετήστε το ακροφύσιο με τον κύλινδρο έντονου καθαρισμού δαπέδου προς το μέρος σας. Τραβήξτε το μοχλό του συστήματος απελευθέρωσης του αναδευτήρα προς τα επάνω και αφαιρέστε τον κύλινδρο έντονου καθαρισμού δαπέδου. [15a]
3. Αφαιρέστε όλα τα σκουπίδια, τις ίνες και τις τρίχες από τον κύλινδρο έντονου καθαρισμού δαπέδου χρησιμοποιώντας ψαλίδι. [15b]
4. Επανατοποθετήστε τον κύλινδρο έντονου καθαρισμού δαπέδου και βάλτε το σύστημα απελευθέρωσης του αναδευτήρα στη θέση του. [15c]

Αντικατάσταση μπαταριών

Αυτή η σκούπα είναι εφοδιασμένη με αφαιρούμενη επαναφορτιζόμενη μπαταρία ιόντων λιθίου που είναι αντικαταστάσιμη. Επιπλέον, η μπαταρία μπορεί να φορτιστεί επίσης από το προϊόν.

* Μόνο ορισμένα μοντέλα

ΠΡΟΣΟΧΗ : Χρησιμοποιείτε μόνο εγκεκριμένα ανταλλακτικά για τη σκούπα σας. Η χρήση μη γνήσιων ανταλλακτικών Hoover είναι επικίνδυνη και θα ακυρώσει την εγγύηση της συσκευής.

ΠΡΟΣΟΧΗ : Μην προσπαθήσετε να ανοίξετε την αφαιρούμενη μπαταρία και να την επιδιορθώσετε μόνοι σας.

1. Πατήστε το κουμπί αποσπώμενης μπαταρίας και μπορείτε να την αφαιρέσετε από το κύριο σώμα.
2. Αφαιρέστε την παλιά αποσπώμενη μπαταρία και αντικαταστήστε την με τη νέα.
3. Απορρίψτε τις μπαταρίες με ασφαλή τρόπο. Οι χρησιμοποιημένες μπαταρίες πρέπει να προσκομίζονται σε σημείο ανακύκλωσης και δεν πρέπει να απορρίπτονται με τα οικιακά απορρίμματα.

ΑΝΤΙΜΕΤΩΠΙΣΗ ΠΡΟΒΛΗΜΑΤΩΝ

Εάν αντιμετωπίσετε οποιοδήποτε πρόβλημα με τη σκούπα σας, πριν καλέσετε το Κέντρο Τεχνικής Υποστήριξης Hoover ακολουθήστε τις οδηγίες που αναγράφονται στον πίνακα :

A. Η σκούπα δεν τίθεται σε λειτουργία

Ελέγξτε αν η μπαταρία είναι φορτισμένη.

Ελέγξτε αν η μπαταρία έχει τοποθετηθεί στη θέση της.

B. Απώλεια απορρόφησης ή καθόλου απορρόφηση.

Αδειάστε το δοχείο σκόνης και πλύνετε το φίλτρο πλέγματος και τον διαχωριστή κυκλώνα.

Αφαιρέστε το ακροφύσιο και ελέγξτε για τυχόν εμπόδια στον αγωγό.

C. Οι μπαταρίες δεν φορτίζονται

Βεβαιωθείτε ότι ο διακόπτης συνεχούς λειτουργίας δεν έχει ενεργοποιηθεί, καθώς η μπαταρία σας δεν θα έχει φορτιστεί. Αυτό μπορεί επίσης να προκύψει εάν το προϊόν δεν έχει χρησιμοποιηθεί ή αποθηκευτεί για μεγάλο χρονικό διάστημα. Επικοινωνήστε με το Κέντρο Τεχνικής Υποστήριξης Hoover για να φροντίσετε για την αντικατάσταση των μπαταριών. Εάν το πρόβλημα παραμένει επικοινωνήστε με το Κέντρο Τεχνικής Υποστήριξης Hoover.

ΑΝΤΑΛΛΑΚΤΙΚΑ ΚΑΙ ΑΝΑΛΩΣΙΜΑ HOOVER

Χρησιμοποιείτε αποκλειστικά γνήσια αναλώσιμα και ανταλλακτικά Hoover . Τα ανταλλακτικά Hoover διατίθενται από τον τοπικό αντιπρόσωπο Hoover ή απευθείας από τη Hoover. Κατά την παραγγελία εξαρτημάτων να αναφέρετε πάντα τον αριθμό μοντέλου.

Η ΕΓΓΥΗΣΗ ΣΑΣ

Οι όροι ισχύος της εγγύησης της συσκευής καθορίζονται από τον αντιπρόσωπο της χώρας στην οποία έχει πραγματοποιηθεί η πώληση. Περισσότερες πληροφορίες σχετικά με τους όρους εγγύησης μπορείτε να ζητήσετε από τον αντιπρόσωπο που αγοράσατε τη συσκευή. Η προσκόμιση του τιμολογίου ή της απόδειξης αγοράς είναι βασική προϋπόθεση για την ισχύ της εγγύησης.

ΕΠΙΣΗΜΑΝΣΗ : Η μπαταρία σε αυτή τη συσκευή καθαρισμού καλύπτεται από την εγγύηση για 6 μήνες από την ημερομηνία αγοράς. Μετά από 6 μήνες ο πελάτης επιβαρύνεται με το κόστος της καινούργιας μπαταρίας.

Ο κατασκευαστής διατηρεί το δικαίωμα να επιφέρει αλλαγές χωρίς προγενέστερη ενημέρωση.

ИНСТРУКЦИИ ПО БЕЗОПАСНОМУ ИСПОЛЬЗОВАНИЮ

Данный прибор предназначен только для домашнего использования в соответствии с описанием, приведенным в настоящем Руководстве пользователя. Использование этого устройства в условиях, отличных от домашних, или с функциями, отличными от обычных функций домашнего хозяйства, такое как коммерческое использование исключено. Ненадлежащее использование устройства приводит к снижению срока его службы и прекращает действие гарантии производителя. Производитель не несет ответственности за повреждение устройства, убиток или потери, вызванные использованием, несоответствующим домашним и бытовым условиям (даже если оно происходило в домашних или бытовых условиях). Прежде чем приступить к эксплуатации данного бытового электроприбора, убедитесь в том, что вы понимаете настоящее руководство.

Перед очисткой или обслуживанием всегда вынимайте вилку из розетки.

Данный прибор не предназначен для использования лицами (включая детей) с пониженными физическими, психическими или умственными способностями или при отсутствии у них опыта или знаний, если они не находятся под контролем или не проинструктированы об использовании прибора лицом, отвечающим за их безопасность. Дети должны находиться под присмотром для недопущения игры с прибором. Все упаковочные материалы должны храниться в недоступном для детей месте (риск удушья).

Если провод питания поврежден, немедленно отключите прибор. Во избежание несчастных случаев замену провода должен осуществлять только специалист авторизованного сервисного центра Candy.

Не приближайте вращающиеся щетки к рукам, ногам, болтающейся одежде и волосам.

Пользуйтесь только оригинальным зарядным устройством, входящим в комплект поставки прибора.

Убедитесь, что напряжение источника питания соответствует параметрам зарядного устройства.

Это пылесос Hoover снабжен зарядным устройством с двойной изоляцией, которое подходит только для включения в розетку с 230В (240В в Великобритании).

Вставьте зарядное устройство в подходящую розетку и подсоедините разъем зарядного устройства к пылесосу.

При зарядке прибора клавиша выключателя питания должна находиться в положении "выключено".

Перед первым использованием зарядите пылесос в течении минимум 24 часов. Светодиодный индикатор аккумуляторной

батареи будет гореть красным во время зарядки и станет белым при полной зарядке.

После использования всегда устанавливайте прибор на зарядное устройство с целью подзарядки батареи.

Запрещается зарядка аккумуляторных батарей при температуре выше 37 С или ниже 0 С.

Если во время зарядки коснуться зарядного устройства, то оно будет теплым, и это совершенно нормальное явление.

Никогда не отключайте зарядное устройство, потянув за провод.

Отключите зарядное устройство в случае длительного отсутствия (отпуск и т.д.) Перезарядите пылесос снова перед использованием, так как батарея может саморазрядиться за период хранения.

При необходимости утилизации прибора достаньте из него батарею. Перед тем, как достать батарею, отключите прибор от электросети. Соблюдайте правила техники безопасности при утилизации батареи. Используйте прибор до тех пор, пока батарея полностью не разрядится. Использованные батареи необходимо сдавать в специальный пункт приема и не выбрасывать с обычными отходами. Чтобы извлечь батарею, свяжитесь с авторизованным сервисным центром Candy или следуйте приведенным далее инструкциям.

ВНИМАНИЕ! Перед тем как извлечь батарею из пылесоса, убедитесь, что она полностью разряжена.

Для этого используйте пылесос до полной разрядки батареи.

Выньте вилку зарядного устройства из прибора.

Нажмите кнопку извлечения батареи и достаньте батарею. [3]

Примечание: В случае возникновения каких-либо сложностей с разборкой или при необходимости получения более подробной информации об обслуживании, утилизации и переработке данного прибора, обратитесь в местные органы власти или в местную службу по утилизации бытовых отходов.

Используйте только рекомендуемые или поставляемые производителем насадки, расходные материалы или запасные части.

Статическое электричество: Некоторые типы ковровых покрытий способны накапливать небольшой заряд статического электричества. Разряд статического электричества не представляет опасности для здоровья.

Не применяйте прибор вне помещений, на влажных поверхностях или для сбора жидкостей.

Не используйте прибор для сбора острых предметов, спичек, горячего пепла, окурков или аналогичных объектов. Не распыляйте или не собирайте горючие жидкости, чистящие средства, аэрозоли или прочие пары.

Не перевозите пылесос через провод питания и не тяните за провод, вынимая вилку из розетки. Не используйте прибор или зарядное устройство, если они неисправны.

Сервисная служба Candy: Для обеспечения продолжительной, безопасной и эффективной работы данного бытового электроприбора любой вид ремонта рекомендуется производить только специалистом авторизованного сервисного центра Candy.

Не используйте прибор для очистки животных или людей.

Не используйте обычные непerezаряжаемые батареи вместо перезаряжаемых аккумуляторных батарей.

Окружающая среда:

Прибор маркируется согласно Европейской директиве 2011/65/EC по отходам электрического и электронного оборудования (WEEE). Соблюдая правила утилизации данного электроприбора, вы помогаете предотвратить возможные отрицательные последствия для окружающей среды и здоровья человека, которые могли бы иметь место при неправильной утилизации данного устройства. Символ на данном устройстве означает, что его нельзя утилизировать как бытовые отходы. Его необходимо доставить в соответствующий пункт утилизации электрического и электронного оборудования. Утилизация должна проводиться в соответствии с местными природоохранными правилами по утилизации отходов. Для получения более подробной информации по уходу, восстановлению и переработке данного устройства обратитесь к городским властям, в службу утилизации бытовых отходов или в магазин, в котором было куплено изделие.



Данный прибор отвечает требованиям Европейских Директив 2014/35/EU, 2014/30/EU и 2011/65/EU.

CANDY HOOVER GROUP S.r.l. Via Privata Eden Fumagalli, 20861 Brugherio (MB) Italy

ПОЗНАКОМЬТЕСЬ С КОНСТРУКЦИЕЙ ВАШЕГО ПЫЛЕСОСА

- | | |
|--|---|
| A. Основное устройство | S. Выходной фильтр |
| B. Встроенная щетка для удаления пыли | T. Губчатый фильтр |
| C. Кнопка отсоединения трубы и насадок | U. Рамка выходного фильтра |
| D. Труба | V. Светодиодный индикатор заряда батареи |
| E. Кнопка отсоединения основной насадки | W. Кнопка извлечения аккумуляторной батареи |
| F. Основная насадка | X. Аккумуляторная батарея |
| G. Светодиодная подсветка насадки | Y. Зарядное устройство |
| H. Кнопка отсоединения валика | Z. Настенное крепление * |
| I. Вращающийся валик | AA. Винт с дюбелем * |
| J. Сетчатый фильтр | AB. Щелевая насадка |
| K. Циклонный сепаратор | AC. Переходник для насадок * |
| L. Контейнер для сбора пыли | AD. Насадка для уборки высоких поверхностей * |
| M. Кнопка открытия контейнера для сбора пыли | AE. Насадка для очистки радиаторов * |
| N. Кнопка извлечения контейнера для сбора пыли | AF. Щетка для глубокой очистки * |
| O. Крышка отсека для хранения щелевой насадки | AG. Мини турбошетка * |
| P. Кнопка Вкл./Выкл. | AH. Удлиненная гибкая щелевая насадка * |
| Q. Фиксатор режима непрерывной работы | AI. Сумка для аксессуаров* |
| R. Кнопка извлечения выходного фильтра | |

ПОДГОТОВКА ПЫЛЕСОСА К РАБОТЕ

1. Вставьте насадку в трубу до щелчка. **[1a]**
2. Вставьте другую сторону трубы в основное устройство. **[1b]**
3. Закрепите настенное крепление на стене с помощью винтов с дюбелями, поставляемых в комплекте. **[2]**
4. Для полного заряда прибора подсоедините зарядное устройство к аккумуляторной батарее. Процесс зарядки может занять около 6 часов. **[2,3]**

ПРИМЕЧАНИЕ: Чтобы снять насадку, нажмите на кнопку отсоединения насадки и вытяните ее из корпуса.

ПРИМЕЧАНИЕ: Для зарядки используйте только зарядное устройство, поставляемое с пылесосом.

ВНИМАНИЕ! При зарядке пылесоса рычаг выключателя питания должен находиться в положении “выключено”. Аккумуляторную батарею можно зарядить отдельно, достав ее из пылесоса.

Совершенно нормально, если во время зарядки зарядное устройство нагревается.

* Только для некоторых моделей

ЭКСПЛУАТАЦИЯ ПЫЛЕСОСА

Пылесос может работать в трех режимах:

- **РЕЖИМ ТУРБО:** Пылесос включается на полную мощность с работающим вращающимся валиком, когда вы нажимаете на кнопку Вкл./Выкл., и останавливается, когда кнопка больше не нажата. [4a]
- **ЭКОНОМИЧНЫЙ РЕЖИМ:** Пылесос включается на более низкой мощности с работающим вращающимся валиком, когда вы нажимаете на кнопку Вкл./Выкл. 2 раза подряд и останавливается, когда кнопка больше не нажата. [4b]
- **РЕЖИМ НЕПРЕРЫВНОЙ РАБОТЫ:** Для активации режима непрерывной работы нужно передвинуть фиксатор назад до положения блокировки. После каждого использования пылесоса рекомендуется выключать режим непрерывной работы; для этого переместите фиксатор вперед в положение разблокировки. [4b]

ВНИМАНИЕ! После каждого использования пылесоса перемещайте фиксатор вперед в положение разблокировки.

В противном случае сокращается срок службы аккумуляторной батареи вплоть до ее выхода из строя.

СИСТЕМА ЗАЩИТЫ

Для обеспечения надежной работы прибора в сложных условиях эксплуатации он оснащается встроенной системой защиты. [13]

ПРИМЕЧАНИЕ: Система защиты срабатывает в случае засорения или блокировки вращающегося валика. После срабатывания валик прекращает вращаться, и загорается белый светодиодный индикатор на передней стороне насадки. В этом случае нужно просто отключить прибор и устранить засор на вращающемся валике. Для возобновления процесса уборки нажмите кнопку Вкл./Выкл, и пылесос начнет работу в режиме турбо.

АККУМУЛЯТОРНАЯ БАТАРЕЯ

СВЕТОДИОДНЫЙ ДИСПЛЕЙ:

Пылесос оснащен светодиодным индикатором состояния заряда батареи.

УРОВЕНЬ ЗАРЯДА БАТАРЕИ:

Белый: 100% - 5% заряда

Мигающий белый: < 5% заряда

Красный: в процессе зарядки

Существует два способа зарядки:

Зарядка батареи, установленной в пылесос [2]

Вставьте штекер зарядного устройства в батарею. Во время зарядки индикатор горит красным цветом. По завершении зарядки светодиодный индикатор загорится белым цветом.

Также можно зарядить батарею отдельно от пылесоса. [3]

Достаньте батарею из пылесоса, нажав на кнопку извлечения аккумуляторной батареи.

Вставьте штекер зарядного устройства в батарею. Светодиодный индикатор зарядки будет гореть красным во время процесса зарядки. По завершению зарядки светодиодный индикатор загорится белым цветом.

ПРИМЕЧАНИЕ: Совершенно нормально, если во время зарядки зарядное устройство нагревается. Используйте только зарядное устройство, поставляемое в комплекте с пылесосом.

ПРИМЕЧАНИЕ: Если вы не пользуетесь пылесосом в течение длительного времени, извлеките предварительно заряженную аккумуляторную батарею из пылесоса для продления ее срока службы. Для продления срока службы батареи не рекомендуется оставлять ее в разряженном состоянии.

ДОПОЛНИТЕЛЬНЫЕ АКСЕССУАРЫ*

ЩЕЛЕВАЯ НАСАДКА НА КОРПУСЕ, ВСТРОЕННАЯ ЩЕТКА ДЛЯ УДАЛЕНИЯ ПЫЛИ, МИНИ ТУРБОЩЕТКА*, ПЕРЕХОДНИК ДЛЯ НАСАДОК*, НАСАДКА ДЛЯ УБОРКИ ВЫСОКИХ ПОВЕРХНОСТЕЙ*, НАСАДКА ДЛЯ ОЧИСТКИ РАДИАТОРОВ*, ЩЕТКА ДЛЯ ГЛУБОКОЙ ОЧИСТКИ* И УДЛИНЕННАЯ ГИБКАЯ ЩЕЛЕВАЯ НАСАДКА*.

Все насадки и аксессуары могут устанавливаться как на основном устройстве, так и на трубе. [5]

ПРИМЕЧАНИЕ: Для отсоединения насадки или трубы от корпуса пылесоса, нажмите соответствующую кнопку и потяните отсоединяемые части в разные стороны.

НАСАДКА ДЛЯ ОЧИСТКИ РАДИАТОРОВ* / ЩЕТКА ДЛЯ ГЛУБОКОЙ ОЧИСТКИ*/ НАСАДКА ДЛЯ УБОРКИ ВЫСОКИХ ПОВЕРХНОСТЕЙ*

При использовании этих 3 насадок необходимо установить переходник для насадок*. [5]

ПРИМЕЧАНИЕ: Существует только один способ хранения щелевой насадки на корпусе. Совместите отверстие на щелевой насадке со стрелкой на основном устройстве, нажатием установите щелевую насадку в корпус. [16]

* Только для некоторых моделей

ПРИМЕЧАНИЕ: Мини турбощетка идеально подходит для очистки текстильных поверхностей (например, диванов) и удаления шерсти животных. Плавно перемещайте ее вперед и назад. После использования срежьте ножницами намотавшиеся на щетку волосы или нитки.

ПРИМЕЧАНИЕ: Насадкой для уборки высоких поверхностей легко чистить труднодоступные места и деликатные поверхности, не царапая их.

ПРИМЕЧАНИЕ: Насадка для очистки радиаторов идеально подходит для очистки внутри и вокруг шкафов, радиаторных батарей, жалюзи и пр.

ПРИМЕЧАНИЕ: Щетка для глубокой очистки полезна при уборке в узких пространствах без риска поцарапать поверхности, а также при уборке внутри автомобиля.

ПРИМЕЧАНИЕ: Удлиненная гибкая щелевая насадка идеально подходит для очистки труднодоступных участков, под мебелью и в автомобиле.

СУМКА ДЛЯ АКСЕССУАРОВ*

Дополнительные насадки и аксессуары можно хранить в специальной сумке.

НАСТЕННОЕ КРЕПЛЕНИЕ*

Для экономии места при хранении вы можете зафиксировать ваш пылесос на стене при помощи винтов с дюбелями, поставляемых с пылесосом. [2]

ТЕХНИЧЕСКОЕ ОБСЛУЖИВАНИЕ ПЫЛЕСОСА

Очистка контейнера для сбора пыли

1. Нажмите кнопку отсоединения трубы и снимите трубу.
2. Нажмите на кнопку открытия контейнера, чтобы открыть крышку и высыпать содержимое. [6]
3. Закройте контейнер для пыли; при правильной полной фиксации будет слышен щелчок.

ПРИМЕЧАНИЕ: Рекомендуется опустошать контейнер после каждого использования или при его заполнении до максимальной отметки.

Очистка контейнера для сбора пыли и фильтров

1. Нажмите кнопку отсоединения трубы и снимите трубу.
2. Нажмите на кнопку открытия контейнера, чтобы открыть крышку и высыпать содержимое. [6]
3. Нажмите на кнопку извлечения аккумуляторной батареи и достаньте ее. [3]
4. Нажмите кнопку извлечения контейнера для сбора пыли и достаньте его из пылесоса. [7]
5. Поверните рамку сетчатого фильтра против часовой стрелки и извлеките ее из пылесоса. [8]
6. Нажмите кнопку извлечения выходного фильтра. [9]
7. Снимите губчатый фильтр с выходного фильтра и извлеките фильтр из рамки. [10]
8. Промойте губчатый фильтр и рамку выходного фильтра в теплой воде и оставьте сушиться на 24 часа. Перед сборкой убедитесь в том, что все части высохли. [11, 12]
9. Промойте циклонный сепаратор, сетчатый фильтр и контейнер для сбора пыли в теплой воде и оставьте сушиться на 24 часа. Перед сборкой убедитесь в том, что все части высохли. [11, 12]
10. Убедитесь, что все части полностью высохли прежде, чем установить их обратно. [12]

ПРИМЕЧАНИЕ: Не используйте горячую воду или моющие средства при промывке фильтров. Повреждение фильтров маловероятно, но если это случилось, то используйте для замены только оригинальные фильтры Hoover. Запрещается использование пылесоса без установленного фильтра.

ВНИМАНИЕ! Для обеспечения оптимальной производительности всегда следите, чтобы фильтр был чистым. Мы рекомендуем промывать фильтры не реже одного раз в месяц.

Очистка и замена вращающегося валика

ВНИМАНИЕ! Перед заменой или очисткой вращающегося валика всегда отключайте прибор от сети и извлекайте батарею.

1. Снимите насадку с трубы. [14]
2. Расположите насадку так, чтобы видеть валик. Потяните вверх кнопку для отсоединения вращающегося валика и достаньте его. [15a]
3. Удалите с валика весь мусор, волосы и нитки при помощи ножниц. [15b]
4. Установите валик на место и зафиксируйте его в правильном положении. [15c]

Замена аккумуляторной батареи

Этот пылесос работает на перезаряжаемой литий-ионной аккумуляторной батарее, которую можно заменить. Батарее можно также заряжать отдельно, отсоединив ее от пылесоса.

ВНИМАНИЕ: Используйте только оригинальные запасные части для вашего пылесоса. Использование запасных частей, которые не одобрены производителем, является опасным и приведет к аннулированию вашей гарантии.

ВНИМАНИЕ: Не пытайтесь вскрывать аккумуляторную батарею и ремонтировать ее самостоятельно.

1. Нажмите на кнопку извлечения аккумуляторной батареи и извлеките ее из пылесоса.
2. Замените старую батарею на новую.
3. Соблюдайте правила техники безопасности при утилизации батареи. Использованные аккумуляторные батареи необходимо сдавать в специальный пункт приема и не выбрасывать с обычными бытовыми отходами.

ПОИСК И УСТРАНЕНИЕ НЕИСПРАВНОСТЕЙ

Если у вас есть какие-либо проблемы с пылесосом, пожалуйста, выполните простую проверку перед звонком в авторизованный сервисный центр:

A. Пылесос не включается

Убедитесь, что батарея заряжена

Проверьте, правильно ли установлена аккумуляторная батарея.

B. Потеря или отсутствие мощности всасывания

Опустошите контейнер для сбора пыли и промойте сетчатый фильтр и циклонный сепаратор.

Снимите насадку и проверьте, нет ли засора в трубе.

C. Аккумуляторная батарея не заряжается

Убедитесь, что во время зарядки режим непрерывной работы отключен. Такое может случиться, если пылесос долго хранился или не был в использовании. Свяжитесь с авторизованным сервисным центром для организации замены батареи. Если проблема не устранена, обратитесь в авторизованный сервисный центр.

ЗАПАСНЫЕ ЧАСТИ И РАСХОДНЫЕ МАТЕРИАЛЫ

При замене используйте только оригинальные запасные части и расходные материалы производителя. Их можно приобрести у вашего местного дилера компании Hoover. Расходные материалы (кроме запасных частей) можно приобрести в официальном интернет-магазине shop.hoover.ru. При оформлении заказа на запасные части обязательно указывайте номер модели пылесоса.

УСЛОВИЯ ГАРАНТИИ

Условия гарантии для данного бытового электрического прибора определяются нашим представительством в той стране, в которой этот электроприбор был куплен. Более подробную информацию об этих условиях вы можете получить у продавца или из гарантийного сертификата на данный прибор. В случае возникновения ситуации, покрываемой гарантийными обязательствами изготовителя, при обращении в уполномоченную сервисную организацию необходимо предъявить товарно-кассовый чек или иной документ, подтверждающий начало истечения гарантийного срока, предусмотренного условиями гарантии для данного прибора.

ВНИМАНИЕ! Производитель не берет на себя ответственность за ошибки в данной инструкции, возникшие в процессе печати. Производитель имеет право вносить в свои изделия изменения, которые он сочтет полезными для своих изделий, сохраняя при этом основные характеристики.

Вся представленная в инструкции информация, касающаяся комплектации, технических характеристик, функций, цветовых сочетаний и т.д. носит информационный характер и ни при каких условиях не является публичной офертой. Изготовитель не устанавливает условия и положения покупки, они должны соответствовать требованиям регионального и/или национального законодательства страны продажи товаров.

INSTRUKCJE BEZPIECZNEGO UŻYTKOWANIA

Urządzenie to jest przeznaczone wyłącznie do użytku domowego w sposób opisany w niniejszej instrukcji użytkownika. Prosimy o dokładne zapoznanie się z instrukcją przed rozpoczęciem używania odkurzacza.

Należy zawsze wyłączyć i wyjąć ładowarkę z gniazdka przed przystąpieniem do czyszczenia urządzenia lub wykonaniem jakichkolwiek czynności konserwacyjnych.

Urządzenie mogą obsługiwać dzieci w wieku co najmniej 8 lat, osoby o ograniczonych zdolnościach fizycznych, sensorycznych lub mentalnych, a także osoby nieposiadające odpowiedniego doświadczenia oraz wiedzy, jedynie pod warunkiem że odbywać się będzie to pod nadzorem lub po przeszkoleniu na temat bezpiecznego użycia urządzenia oraz związanych z nim zagrożeń. Dzieci nie mogą bawić się urządzeniem. Urządzenia nie powinny czyścić ani konserwować dzieci bez nadzoru.

Jeśli przewód zasilający uległ uszkodzeniu, należy natychmiast zaprzestać korzystania z urządzenia. Ze względów bezpieczeństwa, przewód zasilający powinien zostać wymieniony przez serwisanta autoryzowanego punktu serwisowego firmy Hoover.

Nie zbliżać rąk, stóp, luźnej odzieży ani włosów do obracających się szczotek.

Należy stosować wyłącznie ładowarkę dostarczoną wraz z urządzeniem.

Należy sprawdzić, czy napięcie zasilania w gniazdku jest zgodne z podanym na tabliczce znamionowej ładowarki.

Niniejsze urządzenie Hoover zasilane jest podwójnie izolowaną ładowarką akumulatorów, która może być podłączana do gniazd 230V (UK 240V).

Podłączyć ładowarkę od odpowiedniego gniazdka, a przewód ładowarki do urządzenia.

Podczas ładowania urządzenia dźwignia wyłącznika zasilania musi być w pozycji wyłączonej.

Przed pierwszym użyciem urządzenie należy ładować przez co najmniej 24 godziny. Dioda LED akumulatora zaświeci się na CZERWONO podczas ładowania i zmieni kolor na BIAŁY po całkowitym naładowaniu.

Po użyciu ponownie podłączyć urządzenie do ładowarki, aby doładować akumulator.

Nigdy nie ładować akumulatorów w temperaturze powyżej 37°C lub poniżej 0°C.

Nieznaczne nagrzewanie się ładowarki podczas ładowania jest normalnym zjawiskiem.

NIE wyjmować wtyczki ładowarki z gniazdka, ciągnąc za przewód zasilający.

W razie dłuższej nieobecności (urlop itp.) odłączyć ładowarkę od zasilania. Po dłuższej przerwie w eksploatacji urządzenie należy doładować przed użyciem, ponieważ bezczynność powoduje rozładowanie akumulatorów.

Jeżeli urządzenie ma być złomowane, należy z niego najpierw usunąć akumulatory. Podczas wyjmowania akumulatora urządzenie musi być odłączone od zasilania. Akumulatory należy utylizować w sposób bezpieczny dla środowiska. Włączyć urządzenie i pozwolić, aby pracowało aż do całkowitego wyczerpania akumulatorów. Zużyte akumulatory należy przekazać do recyklingu. Nie należy ich wyrzucać ze śmieciami domowymi. W celu wyjęcia akumulatorów należy skontaktować się z Centrum Serwisowym Hoover lub postępować zgodnie z następującymi instrukcjami.

WAŻNE: Przed usunięciem należy całkowicie rozładować akumulatory.

Włączyć odkurzacz i pozwolić, aby pracował aż do pełnego wyczerpania akumulatorów.

Wyjąć wtyczkę przewodu ładowarki z urządzenia.

Naciśnij przycisk zwalniania akumulatora i wysuń go. [3]

Uwaga: W razie napotkania jakichkolwiek problemów z demontażem jednostki lub w razie konieczności uzyskania dodatkowych informacji na temat sposobu utylizacji, złomowania i recyklingu urządzenia należy skontaktować się z lokalnym urzędem gminy lub komunalnym zakładem utylizacji odpadów.

Należy korzystać wyłącznie z końcówek, materiałów eksploatacyjnych oraz części zamiennych zalecanych lub dostarczonych przez firmę Hoover.

Ładunki elektrostatyczne: odkurzanie niektórych dywanów może powodować niewielkie naelektryzowanie się urządzenia. Tego rodzaju ładunki elektrostatyczne nie stanowią zagrożenia dla zdrowia.

Nie używać urządzenia na zewnątrz domu, do odkurzania mokrych powierzchni ani do zbierania wody.

Nie wolno wciągać twardych lub ostrych przedmiotów, zapalek, gorącego popiołu, niedopałków papierosów ani innych podobnych przedmiotów. Nie spryskiwać łatwopalnymi cieczami, środkami czyszczącymi w aerozolu ani parą.

Nie stąpać po przewodzie zasilającym podczas korzystania z urządzenia i nie wyjmować wtyczki, ciągnąc za przewód zasilający. Nie wolno kontynuować eksploatacji uszkodzonego urządzenia lub ładowarki.

Serwis firmy Hoover: Aby zapewnić bezpieczne i sprawne działanie tego urządzenia, zalecamy zlecanie prac serwisowych lub napraw wyłącznie serwisantom autoryzowanemu punktu serwisowego firmy Hoover.

Nie używać urządzenia do odkurzania ludzi lub zwierząt.

Nie wolno stosować jednorazowych baterii zamiast akumulatorów.

Ochrona środowiska:

Niniejsze urządzenie posiada oznaczenia zgodnie z Dyrektywą Europejską nr 2011/65/WE w sprawie zużytego sprzętu elektrycznego i elektrotechnicznego (WEEE). Zapewniając prawidłowe złomowanie niniejszego urządzenia, przyczyniają się Państwo do ograniczenia ryzyka wystąpienia negatywnego wpływu produktu na środowisko i zdrowie ludzi, które mogłoby zaistnieć w przypadku niewłaściwej utylizacji urządzenia. Symbol umieszczony na produkcie lub na dołączonych do niego dokumentach oznacza, że niniejszy produkt nie jest klasyfikowany jako odpad z gospodarstwa domowego. Urządzenie należy zdać w odpowiednim punkcie utylizacji w celu recyklingu komponentów elektrycznych i elektronicznych. Urządzenie należy złomować zgodnie z lokalnymi przepisami w sprawie utylizacji odpadów. Dodatkowe informacje na temat sposobu utylizacji, złomowania i recyklingu urządzenia można uzyskać w lokalnym urzędzie miejskim, w komunalnym zakładzie utylizacji odpadów lub w sklepie, w którym produkt został zakupiony.



Urządzenie spełnia wymogi dyrektyw europejskich 2014/35/WE, 2014/30/WE oraz 2011/65/WE.

CANDY HOOVER GROUP S.r.l. Via Privata Eden Fumagalli, 20861 Brugherio (MB) Italy

KOMPONENTY URZĄDZENIA

- | | |
|--|---|
| A. Obudowa | S. Filtr wylotowy |
| B. Zintegrowana szczotka do kurzu | T. Gąbka |
| C. Przycisk zwalniający rurę | U. Rama filtra wylotowego |
| D. Rura | V. Lampka ledowa akumulatora |
| E. Przycisk zwalniania końcówki | W. Przycisk zwalniający zestaw akumulatorów |
| F. Końcówka | X. Zestaw akumulatorów |
| G. Przednie diody ledowe | Y. Ładowarka |
| H. Pokrywa elementu zagarniającego | Z. Wspornik do montażu na ścianie * |
| I. Wałek do intensywnego czyszczenia podłogi | AA. Kołki * |
| J. Filtr siatkowy | AB. Ssawka szczelinowa |
| K. Pojedynczy cyklon | AC. Przejeściówka do akcesoriów * |
| L. Pojemnik na kurz | AD. Szczotka do czyszczenia u góry * |
| M. Przycisk zwolnienia kłapy pojemnika na kurz | AE. Szczotka do kaloryferów * |
| N. Przycisk zwalniający pojemnik na kurz | AF. Szczotka do głębokiego czyszczenia * |
| O. Zaślepka ssawki szczelinowej | AG. Ssawka Miniturbo * |
| P. Wyłącznik | AH. Długa elastyczna ssawka szczelinowa * |
| Q. Dźwignia wyłącznika | AI. Worek na akcesoria * |
| R. Przyciski zwalniające filtr wylotowy | |

PRZYGOTOWYWANIE ODKURZACZA

1. Włożyć końcówkę ssawki na rurę w taki sposób, aby zaskoczyła. **[1a]**
2. Włożyć drugi koniec rury do zestawu przenośnego w taki sposób, aby zaskoczył. **[1b]**
3. Zamocuj wspornik na ścianie wykorzystując dostarczone śruby i wkręty. **[2]**
4. Aby w pełni naładować urządzenie, należy podłączyć wtyczkę gniazda ładowania do wyjmowanego akumulatora. Potra to ok. 6 godzin. **[2,3]**

UWAGA: Aby wyjąć końcówkę, nacisnąć przycisk zwalniający końcówkę i wyciągnąć ją z obudowy odkurzacza.

UWAGA: Do ładowania należy stosować wyłącznie ładowarkę dostarczoną wraz z urządzeniem.

WAŻNE: Podczas ładowania odkurzacza dźwignia wyłącznika musi być w pozycji wyłączonej. Akumulator można naładować także po jego odłączeniu od produktu.

Nieznaczne nagrzewanie się ładowarki podczas ładowania jest normalnym zjawiskiem.

* Tylko w niektórych modelach

KORZYSTANIE Z ODKURZACZA

Dostępne są trzy tryby pracy:

- **TRYB TURBO:** Produkt uruchomi się z pełną mocą z włączonym elementem zagarniającym po naciśnięciu przełącznika ON/OFF i zatrzyma się po zwolnieniu. [4a]
- **TRYB ECO:** Produkt uruchomi się z niższą mocą z włączonym elementem zagarniającym po dwukrotnym naciśnięciu przełącznika ON/OFF i zatrzyma się po zwolnieniu. [4b]
- **TRYB CIĄGŁY:** W celu umożliwienia pracy w trybie ciągłym należy nacisnąć tylną dźwignię aż do zablokowania. Zaleca się wyłączenie trybu pracy ciągłej po każdym uruchomieniu, poprzez przesunięcie dźwigni do przodu do pozycji odblokowanej. [4b]

WAŻNE: Po każdym użyciu urządzenia należy zawsze przesunąć dźwignię wyłącznika do przodu do pozycji odblokowanej. Niewykonanie tego zalecenia może skutkować skróceniem żywotności akumulatora lub awarią.

SYSTEM BEZPIECZEŃSTWA

Produkt wyposażony jest zintegrowany system bezpieczeństwa, który gwarantuje niezawodność jego działania i chroni go przed użytkowaniem w zbyt trudnych warunkach. [13]

UWAGA: System zabezpieczający uruchomi się, jeśli szczotka obrotowa będzie zablokowana lub zamknięta; po uruchomieniu systemu szczotka obrotowa wstrzyma obroty i zaświeci się biała dioda LED z przodu ssawki. W takim przypadku należy wyłączyć urządzenie i wyczyścić zator na mieszadzie. Aby wznowić czyszczenie, należy nacisnąć przycisk on/off, a produkt uruchomi się ponownie w trybie turbo.

AKUMULATOR

WSKAŹNIKI LED:

Ten odkurzacz jest wyposażony w diody LED stanu akumulatora.

POZIOM NAŁADOWANIA AKUMULATORA:

Kolor biały: 100% - 5% ładowanie

Miganie na biało: < 5% ładowanie

Kolor czerwony: podczas ładowania

Istnieją 2 sposoby ładowania:

Można naładować akumulator po jego wcześniejszym zamontowaniu na produkcie. [2]

Włożyć wtyczkę ładowarki do akumulatora. Wskaźnik LED statusu świeci się na CZERWONO podczas ładowania. Po zakończeniu ładowania wskaźnik LED zaświeci się na biało.

Ładowanie akumulatora po jego wyjęciu z produktu. [3]

Należy wyjąć akumulator z produktu, naciskając przycisk zwalniający akumulator.

Włożyć wtyczkę ładowarki do akumulatora. Podczas ładowania dioda LED akumulatora będzie świeciła się na czerwono. Po zakończeniu ładowania wskaźnik LED zaświeci się na biało.

UWAGA: Nieznaczne nagrzewanie się ładowarki podczas ładowania jest normalnym zjawiskiem. Stosować wyłącznie ładowarkę dostarczoną w komplecie z odkurzaczem.

UWAGA: W razie nieużywania odkurzacza przez dłuższy czas należy wyjąć wymowany akumulator z odkurzacza, aby utrzymać żywotność akumulatora.

DODATKOWE AKCESORIA*

SSAWKA SZCZELINOWA PRZECHOWYWANA W ODKURZACZU, ZINTEGROWANA SZCZOTKA DO KURZU, MINI TURBO SZCZOTKA*, PRZEJŚCIÓWKA DO AKCESORIÓW*, SZCZOTKA DO CZYSZCZENIA U GÓRY*, SZCZOTKA DO KALORYFERÓW*, SZCZOTKA DO GŁĘBOKIEGO CZYSZCZENIA* I DŁUGA ELASTYCZNA SSAWKA SZCZELINOWA*.

Wszystkie akcesoria można zamontować na korpusie oraz na rurze. [5]

UWAGA: Aby odłączyć szczotkę lub korpus odkurzacza od rury, należy nacisnąć odpowiedni przycisk zwalniający.

SZCZOTKA DO KALORYFERÓW* / SZCZOTKA DO GŁĘBOKIEGO CZYSZCZENIA* / SZCZOTKA DO CZYSZCZENIA U GÓRY*

W przypadku korzystania z tych 3 akcesoriów należy zamontować adapter akcesoriów*. [5]

UWAGA: Jest tylko jeden sposób przechowywania ssawki szczelinowej w korpusie odkurzacza. Należy wyrównać rowek na ssawce szczelinowej ze strzałką na korpusie, a następnie wepchnąć ssawkę do korpusu odkurzacza. [16]

* Tylko w niektórych modelach

UWAGA: Szczotka miniturbo idealnie nadaje się do czyszczenia powierzchni tapicerowanych (np. sof) oraz do usuwania sierści zwierząt domowych. Miarowo przesuwać do przodu i do tyłu. Po użyciu należy usunąć sierść/kłaczkę ze szczotki. W razie potrzeby użyć do tego nożyczek.

UWAGA: Szczotka do czyszczenia u góry doskonale nadaje się do czyszczenia wysokich i trudnodostępnych miejsc, a także delikatnych powierzchni. Nie rysuje.

UWAGA: Szczotka do kaloryferów jest idealna do czyszczenia wnętrza oraz okolic szaf, kaloryferów, żaluzji itp.

UWAGA: Szczotka do głębokiego czyszczenia służy do czyszczenia wąskich przestrzeni z delikatną powierzchnią oraz do czyszczenia wnętrza samochodu.

UWAGA: Długie elastyczne narzędzie do czyszczenia w szczelinach idealnie nadaje się do czyszczenia trudno dostępnych miejsc oraz przestrzeni pod meblami.

WOREK NA AKCESORIA*

Dodatkowe akcesoria można przechowywać w worku na akcesoria.

MOCOWANIE DO ŚCIANY*

W celu przechowywania i oszczędzania miejsca, urządzenie można przymocować do ściany za pomocą trzech śrub i zaślepek gwintowanych dołączonych do zestawu. [2]

KONSERWACJA URZĄDZENIA

Opróżnianie pojemnika na kurz

1. Naciśnij przycisk zwalniania rury i wyjmij rurę.
2. Naciśnij przycisk zwalniania kłapy pojemnika na kurz, aby otworzyć kłapę pojemnika i opróżnić zawartość. [6]
3. Zamknij pojemnik na kurz, po całkowitym zablokowaniu usłyszysz kliknięcie.

UWAGA: Zaleca się opróżnianie pojemnika na kurz po każdym użyciu oraz zawsze wtedy, kiedy kurz sięga linii poziomu maksymalnego napełnienia.

Czyszczenie pojemnika na kurz i filtra

1. Naciśnij przycisk zwalniania rury i wyjmij rurę.
2. Naciśnij przycisk zwalniania kłapy pojemnika na kurz, aby otworzyć kłapę pojemnika i opróżnić zawartość. [6]
3. Naciśnij przycisk zwalniania akumulatorów i wyjmij akumulator. [3]
4. Naciśnij przycisk zwalniania pojemnika na kurz i wyjmij pojemnik na kurz z korpusu odkurzacza. [7]
5. Obróć ramę filtra siatkowego w kierunku przeciwnym do ruchu wskazówek zegara i wyjmij ją z produktu. [8]
6. Naciśnij przyciski zwalnijące filtr wylotowy, aby wyjąć filtr wylotowy. [9]
7. Wyjmij gąbkę z filtra wylotowego i wyjmij filtr wylotowy z jego ramy. [10]
8. Podczas czyszczenia filtra wylotowego należy umyć gąbkę i ramę filtra wylotowego w letniej wodzie oraz pozostawić do wyschnięcia na 24 godziny. Przed ponownym zamontowaniem elementów w odkurzaczu należy je dokładnie osuszyć. [11, 12]
9. Podczas czyszczenia pojedynczego cyklonu należy umyć filtr siatkowy i pojemnik na kurz w letniej wodzie oraz pozostawić do wyschnięcia na 24 godziny. Przed ponownym zamontowaniem elementów w odkurzaczu należy je dokładnie osuszyć. [11, 12]
10. Przed ponownym zamontowaniem w obudowie odkurzacza upewnić się, że jest suchy. [12]

UWAGA: Do czyszczenia filtrów nie stosować gorącej wody ani detergentów. W razie uszkodzenia filtrów należy założyć oryginalne filtry zamienne HOOVER. Nie używaj urządzenia bez zamontowanego filtra.

WAŻNE: Aby zapewnić optymalną wydajność odkurzania, należy regularnie czyścić filtry. Zalecamy mycie filtra co najmniej raz na miesiąc.

Wymiana i czyszczenie wałka do intensywnego czyszczenia podłogi

WAŻNE: Należy zawsze wyłączyć odkurzacz oraz wyjąć wymowany akumulator przed wymianą lub czyszczeniem elementu zagarniającego.

1. Usunąć szczotkę z rury. [14]
2. Umieść dyszę tak, aby wałek do intensywnego czyszczenia podłogi był skierowany w Twoją stronę. Pociągnij dźwignię zwalnijającą element zagarniający do góry i wyjmij wałek do intensywnego czyszczenia podłogi. [15a]
3. Usuń wszystkie zanieczyszczenia, włókna i włosy z wałka do intensywnego czyszczenia podłogi, używając nożyczek. [15b]
4. Ponownie włóż wałek do intensywnego czyszczenia podłogi i umieść system zwalniania elementu zagarniającego z powrotem na miejsce. [15c]

Wymiana akumulatorów

Ten odkurzacz jest wyposażony w wymowany akumulator litowo-jonowy, który można wymienić. Ponadto, bateria może być ładowana również poza produktem.

* Tylko w niektórych modelach

Ostrzeżenie: W odkurzaczu stosować wyłącznie zatwierdzone części zamienne. Używanie innych części niż te zatwierdzone przez firmę Hoover, jest niebezpieczne i powoduje utratę gwarancji urządzenia.

Ostrzeżenie: Nie próbuj otwierać wymiowanego akumulatora i samodzielnie go naprawiać.

1. Po naciśnięciu przycisku zwalniającego wymiowany akumulator można wyjąć akumulator z korpusu.
2. Wyjmij stary wymiowany akumulator i wymień go na nowy.
3. Akumulatory należy utylizować w sposób bezpieczny dla środowiska. Zużyte akumulatory należy przekazać do recyklingu. Nie należy ich wyrzucać ze śmieciami domowymi.

ROZWIĄZYWANIE PROBLEMÓW

W razie wystąpienia jakiegokolwiek problemu z urządzeniem przed skontaktowaniem się z lokalnym serwisem firmy Hoover należy przeprowadzić proste kontrole zgodnie z poniższą listą:

A. Odkurzacz się nie włącza

Sprawdź, czy akumulator jest naładowany.

Upewnij się, że zestaw bateryjny jest poprawnie zamocowany.

B. Utrata mocy ssania lub brak ssania

Opróżnić pojemnik na kurz i przemyć filtr siatkowy oraz separator cyklonowy.

Zdjąć końcówkę i sprawdzić, czy wąż lub rura nie są zatkane.

C. Nie można naładować akumulatorów

Upewnij się, że przełącznik trybu ciągłego nie został uruchomiony, ponieważ w przeciwnym razie akumulator nie będzie ładowany. Może to również nastąpić w przypadku, gdy produkt nie był używany lub przechowywany przez długi okres czasu. Skontaktować się z centrum serwisowym firmy Hoover, aby zlecić wymianę akumulatorów. Jeżeli problem nie znika, skontaktować się z centrum serwisowym firmy Hoover.

CZĘŚCI ZAPASOWE I MATERIAŁY EKSPLOATACYJNE MARKI HOOVER

Należy zawsze wymieniać części na oryginalne części zapasowe firmy Hoover. Można je nabyć w lokalnym serwisie firmy Hoover lub bezpośrednio w firmie Hoover. Przy zamawianiu części zawsze należy podać numer danego modelu.

GWARANCJA

Warunki gwarancji na niniejsze urządzenie są określone przez naszego przedstawiciela w kraju, w którym urządzenie jest sprzedawane. Szczegółowe informacje na temat warunków gwarancji można uzyskać w punkcie, w którym urządzenie zostało nabyte. Przy zgłaszaniu wszelkich roszczeń w ramach gwarancji należy przedstawić dowód sprzedaży lub pokwitowanie.

WAŻNE: Bateria w tym odkurzaczu jest objęta gwarancją przez 6 miesięcy od daty zakupu. Po upływie 6 miesięcy klient ponosi koszt zakupu nowego akumulatora..

Zastrzegamy sobie możliwość wprowadzania zmian bez wcześniejszego powiadomienia.

NÁVOD K BEZPEČNÉMU POUŽITÍ

Tento vysavač by měl být používán pouze pro úklid domácnosti a v souladu s touto uživatelskou příručkou. Než začnete spotřebič používat, ujistěte se, že rozumíte tomuto návodu.

Před čištěním nebo jakoukoli údržbou zařízení vždy vypněte a síťovou šňůru vytáhněte ze zásuvky.

Tento přístroj smí používat děti od 8 let výše a osoby se sníženými fyzickými, smyslovými nebo mentálními schopnostmi nebo s nedostatkem zkušeností a znalostí, pouze pokud jsou pod dohledem nebo jim byly dány pokyny týkající se bezpečného používání tohoto přístroje a byly seznámeny s možnými riziky jeho používání. S přístrojem si nesmí hrát děti. Čištění a údržbu nesmí provádět děti bez dohledu.

Jestliže je poškozena síťová šňůra, okamžitě přestaňte zařízení používat. Síťovou šňůru musí vyměnit autorizovaný servis společnosti Hoover, aby se předešlo ohrožení bezpečnosti.

Udržujte dostatečnou vzdálenost rukou, nohou, volného oděvu a vlasů z dosahu otočných kartáčů.

Pro dobíjení používejte pouze nabíječku dodanou se zařízením.

Zkontrolujte, zda údaje na štítku nabíječky odpovídají hodnotám síťového napětí.

Tento vysavač společnosti Hoover je vybaven dvojité odizolovanou nabíjecí baterií, která je vhodná k zapojení pouze do zástrčky 230V (UK 240V).

Zapojte nabíječku do vhodné zásuvky a konektor nabíječky připojte k vhodnému výstupu na vysavači.

Při nabíjení musí být spínač vysavače v poloze vypnuto.

Před prvním použitím přístroj nabíjete nejméně 24 hodin. Během nabíjení se rozsvítí LED dioda baterie ČERVENĚ a při plném nabití se rozsvítí BÍLE.

Po použití znovu připojte přístroj k nabíječce k dobití baterie.

Důležité: Nikdy nenabíjete akumulátor při teplotě vyšší než 37°C nebo nižší než 0°C.

Je běžné, že při nabíjení se nabíječka zahřívá.

Nevytahujte nabíječku ze zásuvky taháním za síťový kabel.

V případě delší nepřítomnosti (dovolená apod.) nabíječku odpojte. Přístroj před použitím znovu dobijte, protože baterie by se při delší době skladování mohly vybit samy.

Před likvidací vysavače z něj nejprve vyjměte baterie. Před odstraněním baterie se ujistěte, že výrobek je odpojen od elektrické sítě. Zlikvidujte baterie bezpečně a ekologicky. Používejte zařízení dokud baterie nejsou naprosto vybité. Použité baterie by měly být přijaté do recyklační stanice a nesmějí být vyhazované dohromady s domovním odpadem. Pro vyjmutí baterií prosím kontaktujte Zákaznické servisní středisko Hoover, které najdete na internetových stránkách www.hoover.cz nebo postupujte podle následujících pokynů:

DŮLEŽITÉ UPOZORNĚNÍ: Před vyjmutím je nutno baterii zcela vybit. Nechte vysavač zapnutý, dokud nebudou baterie zcela vybité.

Odpojte nabíječku od spotřebiče.

Stiskněte tlačítko pro uvolnění baterie a posunutím ho vyjměte. [3]

Poznámka: Budete-li mít při demontáži jednotky jakékoli problémy nebo budete-li požadovat podrobnější informace o manipulaci, využití a recyklaci tohoto výrobku, kontaktujte prosím místní úřad nebo středisko sběrných surovin.

Používejte výhradně příslušenství, spotřební materiály a náhradní díly doporučené nebo dodávané firmou Hoover.

Statická elektřina: Při čištění některých koberců vzniká malé množství statické elektřiny. Výboje statické elektřiny neohrožují zdraví.

Nepoužívejte Vaše zařízení venku, nebo na mokré povrchy a na mokrá vysávání.

Nevysávejte tvrdé nebo ostré předměty, zápalky, žhavý popel, cigaretové nedopalky a podobné předměty. Nestříkejte nebo nevysávejte hořlavé kapaliny, čisticí tekutiny, aerosoly nebo jejich výpary.

Během použití zařízení nepřejíždějte přes síťovou šňůru a nevytahujte síťový kabel ze zásuvky taháním za šňůru. Nepoužívejte zařízení nebo nabíjení, pokud vám připadá vadné.

Servis Hoover najdete na internetových stránkách www.hoover.cz Spolehlivý provoz a vysoká účinnost tohoto spotřebiče jsou zajištěny pouze v případě, že bude prováděn pravidelný servis a opravy, které musí zajišťovat autorizovaný servis společnosti Hoover.

Nepoužívejte zařízení pro čištění zvířat a osob. Nenahrazujte baterie jinými, které nelze dobíjet.

Životní prostředí:

Tento spotřebič je označen v souladu s Evropskou Směrnicí 2011/65/ES o omezení používání nebezpečných látek v elektrických a elektronických zařízeních (WEEE). Zajištěním správné likvidace tohoto výrobku pomůžete předcházet případným negativním důsledkům pro životní prostředí a lidské zdraví, které mohou být v opačném případě způsobeny nesprávnou likvidací tohoto výrobku. Symbol na výrobku označuje, že tento výrobek nesmí být likvidován jako domovní odpad. Měl by být předán na příslušné místo sběru pro recyklaci elektrických a elektronických zařízeních. Likvidace musí proběhnout v souladu s místními ekologickými předpisy pro likvidaci odpadu. Další informace o manipulaci, novém využití a recyklaci tohoto výrobku získáte na místním obecním úřadě, u služby pro sběr domovního odpadu nebo v prodejně, kde jste výrobek zakoupili.



Tento výrobek je v souladu s Evropskými směrnicemi 2014/35/ES, 2014/30/ES a 2011/65/ES.

CANDY HOOVER GROUP S.r.l. Via Privata Eden Fumagalli, 20861 Brugherio (MB) Italy

KOMPONENTY PRODUKTU

- | | |
|---|---------------------------------------|
| A. Hlavní část vysavače | S. Výstupní filtr |
| B. Integrovaný prachový kartáč | T. Houba |
| C. Tlačítko pro uvolnění trubice | U. Rám výfukového filtru |
| D. Trubky | V. Balení baterie LED světla |
| E. Tlačítko pro uvolnění hubice | W. Tlačítko uvolnění baterie |
| F. Hubice | X. Baterie |
| G. Přední LED světla | Y. Nabíjecí základna |
| H. Uvolňovací klapka agitátoru. | Z. Úchytky na zeď * |
| I. Rotační kartáč | AA. Šroubové zátky * |
| J. Sítko filtru | AB. Štěrbínová hubice |
| K. Cyklónový systém | AC. Nástavec příslušenství * |
| L. Nádoba na prach | AD. Stropní nástavec * |
| M. Tlačítko k uvolnění klapky na prach | AE. Radiátorový nástavec * |
| N. Tlačítko pro uvolnění zásobníku na nečistoty | AF. Hlubokový kartáč * |
| O. Krycí víčko štěrbin | AG. Mini-turbo hubice * |
| P. Tlačítko zapnutí/vypnutí | AH. Dlouhá ohebná štěrbinová hubice * |
| Q. Přepínací páčka | AI. Sáček na příslušenství* |
| R. Tlačítka uvolnění výstupního filtru | |

PŘÍPRAVA VYSAVAČE

1. Zasuňte hubici do jedné strany trubice, dokud neuslyšíte cvaknutí. **[1a]**
2. Druhou stranu trubice nasuňte do ruční jednotky, dokud neuslyšíte cvaknutí. **[1b]**
3. Připevněte nástěnný držák ke zdi pomocí dodaných šroubů a matek. **[2]**
4. Pro úplné nabití připojte k baterii spotřebiče konektor nabíječky. Nabíjení bude trvat asi 6 hodin. **[2,3]**

POZNÁMKA: Abyste sundali nástavec, stiskněte tlačítko pro uvolnění nástavce a tahem ji sejměte z hlavního těla.

POZNÁMKA: Pro dobíjení používejte pouze nabíjecí stanici dodanou k vysavači.

DŮLEŽITÉ UPOZORNĚNÍ: Při nabíjení musí být spínač přístroje v poloze vypnuto. Vyjimatelnou baterii můžete nabíjet také samostatně po vyjmutí z výrobku.

Je běžné, že při nabíjení se nabíječka zahřívá.

* Pouze u některých modelů

JAK POUŽÍVAT VYSAVAČ

K dispozici jsou tři pracovní režimy:

- **TURBO REŽIM:** Spotřebič se spustí na plný výkon po stisknutí spínače ZAPNOUT/VYPNOUT a přestane při jeho uvolnění. [4a]
- **EKOLOGICKÝ REŽIM:** Spotřebič se spustí na nižší výkon po ZAPNUTÍ rotačního kartáče při stisknutí tlačítka ZAPNOUT/VYPNOUT dvakrát za sebou a přestane při jeho uvolnění. [4b]
- **NEPŘETRŽITÝ REŽIM:** Nepřetržitý režim aktivujete posunem páčky zpět, tím ji zablokujete. Doporučujeme deaktivovat nepřetržitý režim po každé aktivaci jednoduchým posunutím páky dopředu do odblokované polohy. [4b]

DŮLEŽITÉ UPOZORNĚNÍ: Po každém použití přepněte páčku vpřed do odjištěné polohy. Pokud tak neučiníte, může dojít ke zkrácení životnosti baterie nebo k jejímu poškození.

OCHRANNÝ BEZPEČNOSTNÍ SYSTÉM

Abyste zaručili bezpečnost výrobku, při použití v náročných podmínkách, nebyla ovlivněna, je zde integrován Ochranný bezpečnostní systém. [13]

POZNÁMKA: Bezpečnostní ochranný systém se spouští, když je rotační kartáč zablokovaný nějakou překážkou. Po aktivaci se přestane točit a bílá kontrolka LED na přední části trysky zhasne. V takovém případě zkrátka vypněte zařízení a vyčistěte rotační kartáč. Pro opětovné čištění stiskněte tlačítko zapnout/vypnout a produkt se v turbo režimu restartuje.

BATERIE

LED DISPLAY:

Tento vysavač je vybaven kontrolkou LED baterie.

ÚROVEŇ NABÍTÍ BATERIE:

Bílá barva: 100% - 5% nabíjení

Blikající bílá barva: < 5% nabíjení

Červená barva: během nabíjení

Existují 2 způsoby nabíjení:

Baterii můžete nabíjet spolu s výrobkem (tedy ji nemusíte vyjmout). [2]

Zapojte konec nabíječky do baterie. Kontrolka LED se při nabíjení rozsvítí červeně. Po dokončení nabíjení se rozsvítí kontrolka LED bíle.

Nabíjejte baterii samostatně po vyjmutí z přístroje. [3]

Stisknutím tlačítka pro uvolnění baterie vyjměte baterii.

Zapojte konec nabíječky do baterie. LED dioda baterie se při nabíjení rozsvítí červeně. Po dokončení nabíjení se rozsvítí kontrolka LED bíle.

POZNÁMKA: Je běžné, že při nabíjení se nabíječka zahřívá. Používejte pouze nabíječku, která byla k vysavači dodána.

POZNÁMKA: Pokud nebudete vysavač delší dobu používat, vyjměte baterii z vysavače, aby byla zachována její životnost.

PŘÍSLUŠENSTVÍ*

ŠTĚRBINOVÁ HUBICE, INTEGROVANÝ PRACHOVÝ KARTÁČ, MINI TURBO HUBICE*, NÁSTAVEC PŘÍSLUŠENSTVÍ*, STROPNÍ NÁSTAVEC*, RADIÁTOROVÝ NÁSTAVEC*, HLOUBKOVÝ KARTÁČ* A DLOUHÁ OHEBNÁ ŠTĚRBINOVÁ HUBICE*.

Veškeré příslušenství lze namontovat na tělo vysavače nebo na trubku. [5]

POZNÁMKA: Pro vyjmutí hubice nebo hlavní jednotky z trubice stiskněte příslušné uvolňovací tlačítko a vytáhněte.

RADIÁTOROVÝ NÁSTAVEC* / HLOUBKOVÝ KARTÁČ* / STROPNÍ NÁSTAVEC*

Při použití těchto 3 příslušenství musí být namontován adaptér*. [5]

POZNÁMKA: Existuje pouze jeden způsob, jak udržet štěrbinovou hubici v hlavním těle přístroje. Vyrovnajte štěrbinovou hubici s hlavním tělem a pevně ji zatlačte. [16]

POZNÁMKA: Hubice mini-turbo ideální pro hloubkové čištění textilních povrchů (například pohovky) a odstranění zvířecích chloupků. Pohybujte jí neustále dopředu a dozadu. Po použití nůžkami odstraňte vlasy/vláčna shromážděná na kartáči.

POZNÁMKA: Se stropním nástavcem snadno vyčistíte vysoká a obtížně dostupná místa a jemné povrchy bez poškrábání.

POZNÁMKA: Radiátorový nástavec je vhodný pro čištění uvnitř a v okolí skříněk, radiátorů, žaluzií a podobně.

* Pouze u některých modelů

POZNÁMKA: Pomocí hloubkového kartáče lze čistit úzká místa bez rizika poškrábání povrchu, a také interiér auta.

POZNÁMKA: Dlouhá ohebná štěrbinová hubice je vhodná pro čištění v obtížně přístupných místech, pod nábytkem a v autě.

SÁČEK NA PŘÍSLUŠENSTVÍ*

V sáčku na příslušenství lze uskladnit dodatečné příslušenství.

NÁSTĚNNÝ DRŽÁK*

Pro uskladnění a úsporu místa lze přístroj upevnit ke zdi pomocí tří šroubů a šroubových krytek. [2]

ÚDRŽBA VYSAVAČE

Vyprázdnění zásobníku na prach

1. Stiskněte tlačítko pro uvolnění trubice a vyjměte ji.
2. Stiskněte tlačítko pro otevření zásobníku na prach a vyprázdněte obsah. [6]
3. Uzavřete klapku zásobníku na prach, při zajištění uslyšíte cvaknutí.

POZNÁMKA: Doporučujeme vyprazdňovat nádobu na prach po každém použití, nebo při naplnění po maximální úroveň.

Zkontrolujte prachový zásobník a filtr

1. Stiskněte tlačítko pro uvolnění trubice a vyjměte ji.
2. Stiskněte tlačítko pro otevření zásobníku na prach a vyprázdněte obsah. [6]
3. Stiskněte tlačítko pro uvolnění baterie a vyjměte ji. [3]
4. Stiskněte tlačítko pro uvolnění zásobníku na prach a vyjměte jej z hlavního těla vysavače. [7]
5. Otočte síťový filtr proti směru hodinových ručiček a vyjměte jej z vysavače. [8]
6. Stiskněte tlačítko pro uvolnění výstupního filtru a filtr vyjměte. [9]
7. Vyjměte houbičku z výstupního filtru a vyjměte filtr z jeho rámu. [10]
8. Při čištění výstupního filtru omyjte houbičku a rám výstupního filtru vlažnou vodou a nechte jej 24 hodin oschnout. Ujistěte se, že před opětovným sestavením jsou všechny díly zcela suché. [11, 12]
9. Při čištění samostatného cyklónu omyjte síťový filtr a zásobník na prach ve vlažné vodě a nechte jej 24 hodin oschnout. Ujistěte se, že před opětovným sestavením jsou všechny díly zcela suché. [11, 12]
10. Zajistěte, aby byl zcela suchý, než jej vrátíte do hlavního těla vysavače. [12]

POZNÁMKA: Na čištění filtrů nepoužívejte horkou vodu ani čisticí prostředky. Pokud dojde k náhodnému poškození filtrů, namontujte originální náhradní díl Hoover. Nesnažte se vysavač používat bez filtru.

DŮLEŽITÉ UPOZORNĚNÍ: Pro optimální výkon udržujte filtr vždy čistý. Doporučujeme, abyste filtr umývali alespoň jednou za měsíc.

Výměna a čištění intenzivního podlahového válece

DŮLEŽITÉ UPOZORNĚNÍ: Před výměnou nebo čištěním rotačního kartáče vždy vypněte vysavač a vyjměte vyjímatelnou baterii.

1. Vyjměte hubici z trubice. [14]
2. Umístěte hubici tak, aby byl intenzivní podlahový válec otočen směrem k Vám. Držte klapku rotačního kartáče nahoru a vyjměte intenzivní podlahový válec. [15a]
3. Všechny nečistoty, vlákna a vlny odstraňte z intenzivního podlahového válece pomocí nůžek. [15b]
4. Vložte intenzivní podlahový válec zpět a nasadte rotační kartáč na své místo. [15c]

Výměna baterií

Tento vysavač je vybaven dobíjecí lithium-iontovou vyjímatelnou baterií, kterou lze vyměnit. Kromě toho lze baterii nabíjet také bez vysavače.

VAROVÁNÍ: Pro svůj vysavač používejte pouze schválené náhradní díly. Používání dílů neschválených firmou Hoover je nebezpečné a přicházíte tím o záruku.

VAROVÁNÍ: Nepokoušejte se sami rozmontovat nebo opravit baterii.

1. Stiskněte uvolňovací tlačítko vyjímatelné baterie a můžete ji vyjmout z hlavního těla vysavače.
2. Vyjměte starou baterii a nahraďte ji za novou.
3. Zlikvidujte baterie bezpečně a ekologicky. Použité baterie by měly být přijaté do recyklační stanice a nesmějí být vyhazované dohromady s domovním odpadem.

* Pouze u některých modelů

ŘEŠENÍ POTÍŽÍ

Budete-li mít s vysavačem nějaký problém, postupujte než zavoláte do Zákaznického servisního střediska Hoover, podle tohoto jednoduchého kontrolního seznamu.

A. Vysavač se nezapíná

Zkontrolujte, zda je baterie nabitá.
Zkontrolujte, jestli je baterie na svém místě.

B. Ztráta sacího výkonu nebo žádné sání

Vyprázdněte nádobu na prach a omyjte síťový filtr a separátor cyklonu.
Sundejte hubici a zkontrolujte, zda nejsou průchody trubice zablokované.

C. Baterie nelze nabíjet

Ujistěte se, že spínač nepřetržitého režimu nebyl aktivován, jinak se Vaše baterie nebude nabíjet. K tomu může dojít pokud produkt nebyl používán nebo byl skladován velmi dlouhou dobu. Kontaktujte zákaznické servisní středisko Hoover a dojednejte si výměnu baterie. Pokud problém přetrvává, kontaktujte zákaznické servisní středisko Hoover.

NÁHRADNÍ DÍLY A SPOTŘEBNÍ MATERIÁLY HOOVER

Vždy používejte originální náhradní díly společnosti Hoover. Získáte je u místního prodejce výrobků Hoover nebo u servisních partnerů. V objednávce dílů laskavě vždy uvádějte číslo modelu.

VAŠE ZÁRUKA

Záruční podmínky pro tento spotřebič stanovuje náš zástupce v zemi, v níž je spotřebič prodáván. Přesné znění podmínek vám poskytne prodejce, u něhož jste si zařízení zakoupili. Při reklamaci podle těchto záručních podmínek je nutno předložit doklad o koupi nebo převzetí.

DŮLEŽITÉ UPOZORNĚNÍ: Baterie tohoto vysavače má záruční lhůtu 6 měsíců od data zakoupení. Po 6 měsících nese zákazník náklady spojené s nákupem nové baterie.

Právo změny bez předchozího upozornění vyhrazeno.

NAVODILA ZA VARNO UPORABO

Sesalnik lahko uporabljate le za čiščenje stanovanjskih prostorov, kot je opisano v tem priročniku. Prosimo, da se pred uporabo sesalnika temeljito seznanite s temi navodili.

Pred čiščenjem naprave ali kakršimi koli vzdrževalnimi deli vedno izklopite in odstranite polnilnik iz vtičnice.

Ta aparat lahko uporabljajo otroci, starejši od 8 let, ter osebe z zmanjšanimi telesnimi, zaznavnimi in mentalnimi sposobnostmi ali osebe s pomanjkljivimi izkušnjami in znanjem, če so pod nadzorom ali so bile ustrezno poučene o varni uporabi aparata ter se zavedajo nevarnosti, ki so povezane z njegovo uporabo. Otroci se ne smejo igrati z aparatom. Otroci ne smejo čistiti ali vzdrževati aparata brez nadzora.

Če je napajalni kabel poškodovan, nemudoma prenehajte z uporabo sesalnika. Da bi se izognili nevarnosti, mora napajalni kabel zamenjati pooblaščen Hooverjev serviser.

Imejte roke, noge, ohlapna oblačila in lase proč od vrtljivih krtač.

Uporabljajte le originalni polnilnik, ki je priložen napravi.

Preverite, ali je napajalna napetost enaka tisti, ki je navedena na polnilniku.

Ta Hooverjev aparat je dobavljen z dvojno izoliranim polnilcem baterij, ki je primeren samo za priključitev na 230-V (UK 240V) vtičnico.

Polnilec priključite v ustrezno vtičnico in nato drugi del priključite še v napravo.

Med polnjenjem naprave mora biti gumb za vklop in izklop naprave v legi OFF.

Pred prvo uporabo baterijo naprave polnite vsaj 24 ur. Med polnjenjem bo LED luč za baterijo svetila RDEČE in se bo obarvala BELO, ko bo naprava popolnoma napolnjena.

Po uporabi naprave spet priključite polnilnik in tako vnovič napolnite baterijo.

Nikoli ne polnite baterij pri temperaturah višjih od 37°C ali nižjih od 0°C.

Normalno je, da se polnilnik med polnjenjem segreva.

Ne izklaplajte polnilca tako, da povlečete kabel.

Polnilec izklopite v primeru podaljšane odsotnosti (počitnice, itd.). Pred ponovno uporabo spet napolnite baterije, saj se lahko te izpraznijo samodejno, če sesalnika dlje časa ne uporabljate.

Če boste napravo odvrgli, morate najprej odstraniti baterije. Ko želite odstraniti baterije, mora biti naprava izključena iz električnega toka. Baterije odvrzite na varen način. Pustite delovati napravo do konca, da bodo baterije popolnoma prazne. Uporabljene baterije je treba odnesti v enoto za recikliranje in se ne smejo odvreči v gospodinjske smeti. Za odstranitev baterij vas prosimo, da se obrnete na Hooverjev center za kupce ali nadaljujete po sledečih navodilih.

POMEMBNO: Pred odstranjevanjem baterije vedno popolnoma izpraznite.

Sesalnik naj deluje toliko časa, da se baterije do konca izpraznijo.

Vtikač polnilca odstranite iz naprave.

Pritisnite na gumbe za odstranitev baterije in jo odstranite tako, da jo potegnete v stran. **[3]**

Opomba: V primeru težav z razstavljanjem naprave ali za podrobnejše informacije o ravnanju z izdelkom, obnovi ali ricikliranju izdelka se obrnite na krajevni urad ali komunalno podjetje za odvoz gospodinjskih odpadkov.

Uporabljajte le dodatke, potrošni material ali nadomestne dele, ki jih priporoča ali dobavi Hoover.

Statična elektrika: določene vrste preprog lahko ustvarijo manjšo količino statične elektrike. Kakršen koli statični električni naboj ne ogroža zdravja.

Sesalnika ne smete uporabljati na prostem, na kakršni koli mokri površini ali za sesanje tekočin.

Ne smete sesati trdih ali ostrih predmetov, vžigalic, vročega pepela, cigaretnih ogorkov ali drugih podobnih snovi. Ne smete pršiti ali sesati vnetljivih tekočin, čistil, osvežilcev zraka ali njihovih hlapov

Ne smete zapeljati prek napajalnega kabla med uporabo sesalnika ali izvleči vtikača tako, da bi vlekli za kabel. Ne smete uporabljati naprave ali polnilnika, če ne delujeta pravilno.

Hooverjev servis: Za zagotovitev nenehnega varnega in učinkovitega delovanja naprave priporočamo, da servis ali popravila izvrši le pooblaščen Hooverjev serviser.

Ne smete uporabljati sesalnika za čiščenje živali ali ljudi.

Polnljivih baterij ne smete zamenjati z navadnimi baterijami.

Okolje:

Ta naprava je označena v skladu z evropsko direktivo 2011/65/ES o odpadni električni in elektronski opremi (OEEO). S pravilnim odstranjevanjem izdelka boste pripomogli k preprečevanju morebitnih negativnih vplivov na okolje in človekovo zdravje, do česar bi utegnili priti ob neprimerni odstranitvi tega izdelka. Simbol na izdelku pomeni, da izdelka ne smete odstraniti kot gospodinjski odpadke. Oddati ga morate na zbirnem mestu za recikliranje električne in elektronske opreme. Odstranitev morate izvesti v skladu s krajevnimi okoljskimi predpisi glede odstranjevanja odpadkov. Za podrobnejše informacije o ravnanju z izdelkom, obnovi in recikliranju izdelka se obrnite na krajevni urad, komunalno podjetje za odvoz gospodinjskih odpadkov ali trgovino, kjer ste izdelek kupili.



Ta naprava je v skladu z evropskimi direktivami 2014/35/EU, 2014/30/EU in 2011/65/EU.

CANDY HOOVER GROUP S.r.l. Via Privata Eden Fumagalli, 20861 Brugherio (MB) Italy

SESTAVNI DELI IZDELKA

- | | |
|---|--|
| A. Osnovni del | S. Izhodni filter |
| B. Integrirana krtača za prah | T. Spužva |
| C. Gumb za sprostitvev cevi | U. Okvir izpušnega filtra |
| D. Cev | V. Komplet baterij za led luči |
| E. Gumb za sproščanje nastavkov | W. Gumb za sprostitvev baterije |
| F. Nastavek | X. Baterija |
| G. Sprednje Led luči | Y. Polnilec |
| H. Odpiralna loputa vrtljive krtače | Z. Stenski nosilec * |
| I. Intenzivni nastavek za tla | AA. Vhodi za vijake * |
| J. Mrežni filter | AB. Nastavek za čiščenje rež |
| K. Enojni ciklonski sistem | AC. Pomožni adapter * |
| L. Posoda za prah | AD. Krtača za čiščenje visokih površin * |
| M. Gumb za sprostitvev pokrova posode za prah | AE. Krtača za čiščenje radiatorjev * |
| N. Gumb za sprostitvev posode za prah | AF. Krtača za globinsko čiščenje * |
| O. Pokrov nastavka za reže | AG. Mini turbo krtača * |
| P. Stikalo ON/OFF | AH. Dolg in ozek upogljivi nastavek * |
| Q. Stikalna ročica | AI. Torba za pripomočke* |
| R. Gumbi za sprostitvev izpušnega filtra | |

PRIPRAVA VAŠEGA SESALNIKA

1. Glavo krtače vstavite v eno od dveh skrajnih točk cevi in jo namestite tako, da zaslišite "klik". **[1a]**
2. Drugo skrajno točko cevi vstavite v ročaj in cev namestite tako, da zaslišite "klik". **[1b]**
3. Stenski nosilec pritrdite na steno, za to pa uporabite priložene vijake in matice. **[2]**
4. Za popolno napolnitev naprave priključite vtič za polnjenje na odstranljiv komplet baterij. Naprava se bo polnila približno 6 ur. **[2,3]**

OPOMBA: Nastavek snamete tako, da pritisnete gumb za sproščanje nastavka in ga izvlečete iz osnovnega dela.

OPOMBA: Pri ponovnem polnjenju uporabite samo polnilec, ki je dobavljen z vašim sesalcem.

POMEMBNO: Med polnjenjem naprave mora biti stikalna ročica v legi OFF. Odstranljivo baterijo lahko polnite tudi, ko ni na izdelku.

Normalno je, da se polnilnik med polnjenjem segreva.

* Le pri določenih modelih

UPORABA SESALNIKA

Obstajajo trije načini delovanja:

- **NAČIN TURBO:** Ko boste pritisnili na stikalo za vklop ON/ izklop OFF, se bo izdelek zagnal s polno močjo in krtačo na ON in se zaustavil, ko ga izpustite. [4a]
 - **EKOLOŠKI NAČIN:** Proizvod se bo zagnal z nižjo močjo in krtačo na ON, ko boste 2 krat zapored pritisnili na stikalo ON/OFF in se zaustavil, ko ga boste izpustili. [4b]
 - **NEPREKINJENI NAČIN:** Za omogočanje neprekinjenega načina potiskajte vzvod nazaj, dokler se ne zaklene. Priporočamo, da neprekinjen način onemogočite po vsaki priložnosti, ko ste ga sprožili. To naredite tako, da preprosto potiskate vzvod naprej, dokler ne dosežete odklenjenega položaja. [4b]
- POMEMBNO:** Po vsaki uporabi sesalnika potisnite stikalno ročico naprej in jo tako namestite v zaklenjeno lego. Če tega ne storite, se lahko življenjska doba baterije skrajša ali se pojavi napaka.

VARNOSTNI SISTEM

Da se zanesljivost izdelka ne bi zmanjšala v primeru uporabe v zahtevnih pogojih, je na samem izdelku nameščen varnostni sistem. [13]

OPOMBA: Zaščitni sistem se vključi, če je agitator blokiran ali zaklenjen. Ko se sistem aktivira, se agitator neha vrteti in se bele LED luči na sprednji strani šobe ugasnejo. Če se to zgodi, ugasnite napravo in iz agitatorja odstranite ovro. Za nadaljevanje s čiščenjem pritisnite na gumb on/off in proizvod bo spet začel delati na turbo način.

BATERIJA

LED ZASLON:

Ta čistilec je opremljen z led lučmi za stanje baterije.

NIVO BATERIJE

Bela barva: 100% - 5% polnjenje

Utripajoča bela barva: < 5% polnjenje

Rdeča barva: med polnjenjem

Obstajata 2 metodi ponjenja:

Napolnite baterijo, ko se drži proizvoda. [2]

Vstavite vtič polnilnika baterije v baterijo. Med polnjenjem LED indikator stanja sveti rdeče. Ko bo polnjenje dokončano, se bo led luč obarvala belo:

Polnite baterijo, ko ni nameščena na izdelek. [3]

Baterijo odstranite s proizvoda tako, da pritisnete na gumb za sprostitvev baterije.

Vstavite vtič polnilnika baterije v baterijo. Med polnjenjem se bo led luč obarvala rdeče. Ko bo polnjenje dokončano, se bo led luč obarvala belo:

OPOMBA: Normalno je, da se polnilnik med polnjenjem segreva. Uporabljajte samo polnilec, dobavljen z vašim sesalcem.

OPOMBA: Če čistilca ne boste uporabljali dlje časa, prosimo, da s čistilca odstranite odstranljiv komplet baterije zato, da ohranite trajanje baterije.

DODATNI PRIKLJUČKI*

PRILOŽEN NASTAVEK ZA REŽE, VGRAJENA KRTAČA ZA PRAH, MINI TURBO KRTAČA*, POMOŽNI ADAPTER*, KRTAČA ZA ČIŠČENJE VISOKIH POVRŠIN*, KRTAČA ZA ČIŠČENJE RADIATORJEV*, KRTAČA ZA GLOBINSKO ČIŠČENJE* IN DOLG IN OZEK UPOGLJIVI NASTAVEK*.

Vse dodatne priključke je mogoče namestiti na glavni proizvod ali na cev. [5]

OPOMBA: Pritisnite na primeren gumb za sprostitvev in potegnite stran,

če želite odstraniti nastavek ali glavno enoto s cevi.

KRTAČA ZA ČIŠČENJE RADIATORJEV* / KRTAČA ZA GLOBINSKO ČIŠČENJE* / KRTAČA ZA ČIŠČENJE VISOKIH POVRŠIN*

Adapter za pripomočke* mora biti vedno nameščen, ko uporabljate te 3 pripomočke. [5]

OPOMBA: Obstaja samo en način za shranjevanje nastavka za reže na glavno enoto: Poravnajte odprtino na nastavku za reže s puščico na glavni enoti in nato potisnite nastavek za reže v glavno enoto. [16]

OPOMBA: Mini-turbo krtača je idealna za čiščenje platnenih površin (npr. naslanjačev) in za odstranjevanje živalske dlake. Enakomerno jo potiskajte naprej in nazaj. Po uporabi odstranite dlake / delce, ki so se nabrali na krtači, po potrebi pa to uporabite škarje.

* Le pri določenih modelih

OPOMBA: S krtačo za čiščenje visokih površin lahko očistite visoke in težko dostopne predele ter občutljive površine, ne da bi jih pri tem opraskali.

OPOMBA: Krtača za radiatorje je idealna za čiščenje notranjoti omar, radiatorjev, žaluzij idr.

OPOMBA: Krtača za globinsko čiščenje je idealna za čiščenje težje dostopnih predelov tudi v avtomobilu, pri tem pa ne odrgne površin.

OPOMBA: Dolga in ozka prilagodljiva cev je idealna za čiščenje težje dostopnih predelov, površin pod pohištvom in avtomobila

TORBA ZA PRIPOMOČKE*

Dodatne pripomočke lahko shranite v torbo za pripomočke.

STENSKI NOSILEC*

Za shranjevanje in prihranek prostora lahko vašo napravo pritrdite na steno s tremi priloženimi vijaki. [2]

VZDRŽEVANJE SESALNIKA

Praznjenje posode za prah

1. Pritisnite na gumb za sprostitvev cevi in odstranite cev.
2. Pritisnite na gumb za sprostitvev pokrova posode za prah zato, da odprete pokrov posode za prah in izpraznite vsebino posode. [6]
3. Zaprite posodo za prah. Ko bo popolnoma zaprta, boste zaslišali klik.

OPOMBA: Posodo za prah izpraznite po vsaki uporabi sesalnika ali ko prah doseže zgornjo oznako največje dovoljene količine prahu.

Očistite posodo za prah in filter.

1. Pritisnite na gumb za sprostitvev cevi in odstranite cev.
2. Pritisnite na gumb za sprostitvev pokrova posode za prah zato, da odprete pokrov posode za prah in izpraznite vsebino posode. [6]
3. Pritisnite na gumb za odstranitev baterije in odstranite komplet baterije. [3]
4. Pritisnite na gumb za sprostitvev posode za prah in odstranite posodo za prah z glavne enote. [7]
5. Obrnite okvir mrežnega filtra v nasprotni smeri urinega kazalca in ga odstranite s proizvoda. [8]
6. Pritisnite na gumb za sprostitvev izpušnega filtra zato, da odstranite izpušni filter. [9]
7. Odstranite spužvo iz izpušnega filtra in izpušni filter vzemite iz okvirja. [10]
8. Ko čistite izpušni filter, operite spužvo in okvir izpušnega filtra v mlačni vodi in pustite, da se sušita 24 ur. Prepričajte se, da so vsi sestavni deli popolnoma suhi, preden ponovno sestavite napravo. [11, 12]
9. Ko čistite enojni ciklon, operite mrežni filter in posodo za prah v mlačni vodi in pustite, da se sušita 24 ur. Prepričajte se, da so vsi sestavni deli popolnoma suhi, preden ponovno sestavite napravo. [11, 12]
10. Prepričajte se, da je popolnoma suha, preden jo ponovno namestite nazaj v sesalnik. [12]

OPOMBA: Ne uporabljajte vroče vode ali čistil, ko čistite filtre. Če se izpušni filter poškoduje, ga nadomestite samo z drugim Hooverjevimi filtrom. Sesalnika ne uporabljajte brez nameščenega filtra.

POMEMBNO: Za optimalno učinkovitost naj bodo filtri vedno čisti. Priporočamo, da filter operete enkrat na mesec.

Menjava in čiščenje intenzivne krtače za tla.

POMEMBNO: Pred menjavo ali čiščenjem agitatorja vedno izklopite čistilec in odstranite odstranljivo baterijo.

1. Odstranite šobo s cevi. [14]
2. Šobo nastavka za intenzivno čiščenje tal obrnite proti sebi. Povlecite vzvod sistema za sprostitvev krtače navzgor in odstranite nastavek za intenzivno čiščenje tal. [15a]
3. Z uporabo škarij odstranite vse delce, vlakna in lase z nastavka za intenzivno čiščenje tal. [15b]
4. Ponovno nastavite nastavek za intenzivno čiščenje tal in namestite sistem za sprostitvev krtače nazaj na njegov položaj. [15c]

Menjava baterij

Ta čistilec je opremljen z odstranljivo polnilno litij-ionsko baterijo, ki je zamenljiva. Poleg tega lahko baterijo polnite tudi izven proizvoda.

OPOZORILO: Za svoj sesalnik uporabite samo odobrene nadomestne dele. Uporaba delov, ki jih Hoover ne priporoča, je nevarna in bo razveljavila garancijo.

OPOZORILO: Ne poskušajte odpirati odstranljive baterije in jo sami popravljati.

1. Pritisnite na gumb za sprostitvev baterije. Na ta način jo lahko odstranite z glavne enote.
2. Odstranite staro odstranljivo baterijo in jo zamenjajte z novo.
3. Baterije odvrzite na varen način. Uporabljene baterije je treba odnesti v enoto za recikliranje in se ne smejo odvreči v gospodinjске smeti.

* Le pri določenih modelih

ODPRAVLJANJE TEŽAV

Če boste imeli kakršne koli težave z vašim sesalnikom, preden pokličete Hooverjev servisni center za stranke s pomočjo enostavnega seznama v nadaljevanju preverite naslednje:

A. Sesalnik se ne vklopi

- Preverite, ali je baterija polna.
- Preverite, ali je baterija pravilno nameščena.

B. Sesalna moč je manjša ali pa sesalnik sploh ne vsesava

- Izpraznite posodo za prah ter operite mrežni filter in ciklonski separator.
- Odstranite krtačo in preverite, ali se v cevi nahaja kakršenkoli predmet, ki onemogoča prehod.

C. Baterij ne morete napolniti

- Prepričajte se, da ni aktivirano stikalo za neprekinjeni način, saj se v tem primeru baterija ne polni. To se lahko zgodi tudi, če proizvod dlje časa ni bil uporabljen. Kontaktirajte Hooverjev servis za stranke, da se dogovorite za zamenjavo baterij. Če težava traja dlje, kontaktirajte Hooverjev servisni center za stranke.

NADOMESTNI DELI IN POTROŠNI MATERIJAL HOOVER

Vedno uporabljajte originalne nadomestne dele Hoover. Dobite jih pri krajevnem prodajalcu Hooverjevih izdelkov. Pri naročanju delov vedno navedite številko modela.

GARANCIJA

Garancijski pogoji za to napravo so taki, kot jih določi zastopnik v državi, kjer je naprava prodana. Podrobnosti glede garancijskih pogojev lahko dobite od prodajalca, pri katerem ste napravo kupili. Če želite uveljavljati kakršno koli garancijo, potrebujete potrdilo o nakupu ali račun.

POMEMBNO: Zagotovljena življenska in garancijska doba baterij tega sesalnika je 6 mesecev od časa nakupa. Po šestih mesecih mora uporabnik sam poravnati stroške nove baterije.

Garancija se lahko spreminja brez predhodnega obvestila.

GÜVENLİ KULLANIM TALİMATLARI

Bu ürün kullanım kılavuzunda belirtildiği gibi yalnızca ev temizliği için kullanılmalıdır. Lütfen ürünü kullanmadan önce bu kılavuzun tam olarak anlaşıldığından emin olun.

Cihazı temizlemeden ya da herhangi bir bakım işlemi uygulamadan önce daima cihazı kapatın ve şarj aletini prizden çıkarın.

Bu cihaz 8 yaş ve üzeri çocuklar ve yetersiz fiziksel, duyuşal veya zihinsel kabiliyete sahip kişiler ya da deneyim ve bilgi yoksunu kişiler tarafından bir yetişkinin gözetiminde veya cihazın güvenli bir şekilde kullanımı ile ilgili talimatı ve bulunan tehlikelerin açıkça anlatılması ile kullanılabilir. Çocuklar cihaz ile oynamamalıdır. Temizleme ve bakım işlemi denetimsiz şekilde çocuklar tarafından yapılmamalıdır.

Güç kablosu hasar görürse cihazı kullanmayı derhal bırakın. Herhangi bir yaralanmaya engel olmak için güç kablosunun mutlaka yetkili bir Hoover servisi tarafından deęiştirilmesi gereklidir.

Ellerinizi, ayaklarınızı, bol giysileri ve saçlarınızı dönen fırçalardan uzak tutun.

Yalnızca cihazla birlikte verilen şarj aletini kullanın.

Besleme voltajının şarj aleti üzerinde belirtilen deęerle aynı olup olmadığını kontrol edin.

Bu Hoover ev aleti sadece 230V (İngiltere: 240V) prize takılması uygun olan çift izolasyonlu bir batarya şarj cihazıyla verilmektedir.

Şarj cihazını uygun bir prize takın ve şarj aleti jakının prizini cihaza takın.

Aygıtı şarj ederken güç anahtarı kolu kapalı konumda olmalıdır.

İlk kullanımdan önce elektrikli süpürgenizi en az 24 saat şarj edin. Pil takımı LED ışığı şarj sırasında KIRMIZI renkte yanacak ve şarj tamamlandığında BEYAZA dönecektir.

Pilleri yeniden şarj etmek için kullanım sonrasında cihazı yeniden şarj cihazına bağlayın.

Pilleri kesinlikle 37°C'nin üzerindeki veya 0°C'nin altındaki sıcaklıklarda şarj etmeyin.

Şarj aletinin şarj olurken ısınması doğaldır.

Şarj aletinin fişini kablosundan çekerek çıkarmayın.

Uzun süre evde bulunmayacaksanız (tatil vs. gibi nedenlerle) şarj aletini prizden çekin. Uzun süre kullanılmayan elektrikli süpürge'nin şarjı kendi kendine bitebileceğinden, yeniden kullanmadan önce süpürgeyi iyice şarj edin.

Cihaz atılacağı zaman, öncelikle piller çıkartılmalıdır. Pil çıkartılırken, cihaz şebeke beslemesinden çıkartılmalıdır. Pilleri güvenli bir şekilde imha edin. Pillerin tamamen boşalması için cihazı durana kadar çalıştırın. Kullanılmış piller bir geri dönüştürme istasyonuna götürülmeli ve evsel atıklarla birlikte atılmamalıdır. Pilleri çıkarmak için, lütfen Hoover Müşteri Merkezi ile temasa geçin veya aşağıdaki talimatlara göre devam edin.

ÖNEMLİ: Pilleri çıkarmadan önce daima tamamen boşaltın ve şarj ünitesinin fişten çıkarıldığından emin olun.

Süpürgeyi piller tamamen boşalana kadar çalıştırın.

Şarj cihazı jak fişini cihazdan çıkarın.

Çıkarmak için pil paketi serbest bırakma düğmesine basın ve kaydırın. [3]

Not: Birimin parçalarına ayrılması ile ilgili zorluk yaşarsanız ya da cihazın tamiri, onarımı ya da geri dönüşümü ile ilgili daha ayrıntılı bilgiye ihtiyaç duyarsanız lütfen belediye'niz ya da ev atıkları imha hizmetleri ile görüşün.

Yalnızca Hoover tarafından önerilen veya sağlanan aparatları, malzemeleri ve yedek parçaları kullanın.

Statik elektrik: bazı halılar statik elektrik oluşuma neden olabilir. Statik elektrik deşarjı sağlığa zararlı değildir.

Cihazınızı dış mekanlarda veya ıslak yüzeylerde ya da ıslak toplama için kullanmayın.

Sert veya keskin nesnelere, kibritleri, sıcak külleri, sigara izmaritleri veya diğer benzeri öğeleri toplamayın. Yanıcı sıvıları, temizleme sıvılarını, aerosollerini veya spreyleri püskürtmeyin ya da toplamayın.

Cihazı kullanırken güç kablosu üzerine basmayın veya güç kablosundan çekerek prizden çıkarmayın. Arıza görünürse cihazı veya şarj aletini kullanmayı bırakın.

Hoover teknik servisi: Cihazın uzun süre güvenli ve verimli kullanımını sağlamak için, servis ve bakımlarının yetkili Hoover servisinde yapılmasını tavsiye ederiz.

Cihazı hayvanları veya insanları temizlemek için kullanmayın.

Pilleri şarj edilemeyen pillerle değiştirmeyin.

Çevre:

Bu cihaz Atık Elektrikli ve Elektronik Teçhizat (WEEE) hakkında Avrupa direktifi 2011/65/EC'ye uygunluk işaretine sahiptir. Bu ürünün doğru bir şekilde atılmasını sağlayarak, yanlış atılmasından dolayı çevre ve insan sağlığında oluşabilecek olumsuz etkilerin önlenmesine katkıda bulunacaksınız. Ürünün üzerindeki sembol, bu ürünün ev atığı olarak değerlendirilmeyeceğini gösterir. Bunun yerine ürün, elektrikli ve elektronik cihazların geri dönüştürülmesi için oluşturulan geçerli bir toplama noktasına bırakılmalıdır. İmha, atık imhası için düzenlenen yerel çevre yönetmeliklerine uygun olarak yapılmalıdır. Ürünün nasıl elden çıkarılacağı konusunda daha detaylı bilgi için bağlı bulunduğunuz muhtarlığa, çöp toplama şirketine veya ürünü satın almış olduğunuz mağazaya müracaat edin.



Bu ürün 2014/35/EU, 2014/30/EU ve 2011/65/EU' Avrupa Direktiflerine göre uygundur.

CANDY HOOVER GROUP S.r.l. Via Privata Eden Fumagalli, 20861 Brugherio (MB) Italy

ÜRÜN BİLEŞENLERİ

- | | |
|---------------------------------------|-------------------------------------|
| A. Ana Gövde | S. Çıkış Filtresi |
| B. Entegre Toz Fırçası | T. Sünger |
| C. Boru Açma Düğmesi | U. Egzoz Filtresi Çerçevesi |
| D. Boru | V. Batarya Takımı LED Işığı |
| E. Başlık Çıkarma Düğmesi | W. Batarya Grubu Açma Düğmesi |
| F. Başlık | X. Batarya Grubu |
| G. Przednie oświetlenie ledowe | Y. Şarj Aleti |
| H. Karıştırıcı Serbest Bırakma Kapağı | Z. Duvara Montaj * |
| I. Yoğun Zemin Rulosu | AA. Vida Tapaları * |
| J. Ağ filtre | AB. Kenar Köşe Aparatı |
| K. Siklonik | AC. Aksesuar Uyarlayıcı * |
| L. Toz Torbası | AD. Yüksek Yüzey Aparatı * |
| M. Toz Kapağı Ayırma Düğmesi | AE. Radyatör Aparatı * |
| N. Çöp Kutusu Serbest Bırakma Düğmesi | AF. Derin Temizleme Fırçası * |
| O. Kenar Köşe Kapağı | AG. Mini Turbo Başlık * |
| P. AÇMA/KAPAMA Düğmesi | AH. Uzun esnek kenar-köşe aparatı * |
| Q. Anahtar Kolu | AI. Aksesuar Çantası * |
| R. Egzoz Filtresi Açma Düğmeleri | |

SÜPÜRGENİZİN HAZIRLANMASI

1. Süpürge başlığını bir "tık" sesi duyuncaya kadar borunun bir ucunun içine takın. **[1a]**
2. Borunun diğer tarafını bir "tık" sesi duyuncaya kadar elde taşınır ünite içine takın. **[1b]**
3. Ürünle birlikte verilen vida ve vida tapalarını kullanarak Duvara montaj parçasını duvara sabitleyin. **[2]**
4. Cihazı tamamen şarj etmek için şarj cihazı ucunu çıkarılabilir batarya takımına bağlayın. Yaklaşık 6 saat sürecektir. **[2,3]**

NOT: Başlığı çıkarmak için başlık çıkarma düğmesine basın ve başlığı çekerek ana gövdeden çıkarın.

NOT: Sadece elektrikli süpürgenizle birlikte verilen şarj aletini kullanın.

ÖNEMLİ: Elektrik süpürgesini temizlerken anahtar kolu KAPALI konumda olmalıdır. Değiştirilebilir pil takımını üründen çıkarılmış halde de şarj edebilirsiniz.

Şarj aletinin şarj olurken ısınması doğaldır.

* Sadece bazı modeller için

TEMİZLEYİCİNİN KULLANIMI

Üç çalışma modu vardır:

- **TURBO MODU:** Ürün, AÇMA/KAPAMA anahtarına bastığınızda döner fırça AÇIK olarak çalışmaya başlar ve bırakıldığında durur. [4a]
- **EKO MODU:** Ürün, AÇMA/KAPAMA anahtarına arka arkaya 2 defa bastığınızda döner fırça AÇIK olarak düşük güçte çalışmaya başlar ve bırakıldığında durur. [4b]
- **SÜREKLİ MOD:** Sürekli modu etkinleştirmek için kolu yerine kilitlenene kadar geri itin. Sürekli modun her etkinleştirme sonrasında devre dışı bırakılması önerilir; bu işlem, kolun kilitsiz konuma tamamen itilmesiyle tamamlanır. [4b]

ÖNEMLİ: Ürününüzün her kullanımından sonra lütfen anahtar kolunu ileriye kilitleti konuma ittiğinizden emin olun. Aksi takdirde batarya ömründe azalma veya arızaya neden olabilir.

EMNİYETLİ KORUMA SİSTEMİ

Ürün, ağır koşullar altında kullanıldığında ürün güvenilirliğinin olumsuz etki görmemesi için bir Emniyetli koruma sistemi ile donatılmıştır. [13]

NOT: Emniyetli koruma sistemi, döner fırçada bir tıkanıklık ya da takılma olduğunda devreye girer; bu sistem etkinleştirildiğinde döner fırçayı dönmelerini durdurur ve başlığın ön kısmındaki beyaz LED ışıklar söner. Bu durumun oluşması halinde, ürünüünüzü kapatın ve döner fırçadaki tıkanmayı giderin. Temizleme işlemine devam etmek için açma/kapama düğmesine basın; ürün turbo modunda yeniden başlatılacaktır.

PİL

GÖSTERGE LED'İ

Bu süpürge, Batarya Durumu LED ışıkları ile donatılmıştır.

PİL SEVİYESİ:

Beyaz renk: 100% - 5% şarj

Yanıp sönen Beyaz renk: < 5% şarj

Kırmızı renk: şarj sırasında

2 şarj yöntemi bulunur:

Pili ürüne takılı halde şarj etme. [2]

Pil şarj cihazının fişini pile takın. Şarj sırasında, LED durum göstergesi KIRMIZI renkte yanacaktır. Şarj işlemi tamamlandığında, LED gösterge beyaz renkte yanacaktır.

Pili, üründen çıkarılmış halde şarj etme. [3]

Batarya ayırma düğmesine basarak bataryayı üründen çıkarın.

Pil şarj cihazının fişini pile takın. Şarj sırasında, pil takımı LED'i kırmızı renkte yanacaktır. Şarj işlemi tamamlandığında, LED gösterge beyaz renkte yanacaktır.

NOT: Şarj aletinin şarj olurken ısınması doğaldır. Sadece elektrikli süpürgeyle birlikte verilen şarj aletini kullanın.

NOT: Süpürgeyi uzun süreyle kullanmayacasanız batarya ömrünü korumak için lütfen çıkarılabilir batarya takımını süpürgeден çıkarın.

AKSESUARLAR*

KENAR KÖŞE APARATI TAKILI, ENTEGRE TOZ FIRÇASI, MİNİ TURBO BAŞLIK*, AKSESUAR UYARLAYICI*, YÜKSEK YÜZEY APARATI*, RADYATÖR APARATI*, DERİN TEMİZLEME FIRÇASI* VE UZUN ESNEK KENAR-KÖŞE APARATI*.

Tüm aksesuarlar ana ürün ve boru üzerine takılabilir. [5]

NOT: Başlığı veya ana gövde ünitesini borudan çıkarmak için ilgili çıkarma düğmesine basarak ayırın.

RADYATÖR APARATI* / DERİN TEMİZLEME FIRÇASI*/ YÜKSEK YÜZEY APARATI*

Bu 3 aksesuar kullanıldığında aksesuar uyarlayıcısı* takılmalıdır. [5]

NOT: Kenar köşe aparatı ana gövdede yalnızca tek bir şekilde depolanabilir. Kenar köşe aparatı üzerindeki yuvayı ana gövde üzerindeki okla aynı hizaya getirin, kenar köşe aparatını ana gövdeye doğru itin. [16]

NOT: Kumaş yüzeyleri (örneğin kanepeler) derinlemesine temizlemek ve evcil hayvan tüyleri temizlemek için mini turbo başlık idealdir. Düzgün bir şekilde ileri ve geri hareket ettirin. Kullandıktan sonra gerekirse bir makasla fırçada toplanan tüyleri/iplikleri lütfen temizleyin.

* Sadece bazı modeller için

NOT: Yüksek yüzey aparatı, yüksek ve erişilmesi zor yerleri ve hassas yüzeyleri çizmeden, kolaylıkla temizleyebilir.

NOT: Radyatör parçası, dolap, radyatör, perde ve daha fazlasının iç ve çevresinin temizlenmesi için idealdir.

NOT: Derin temizleme fırçası, dar alanlarda yüzeyleri çizmeden temizlik yapmak ve araba içini temizlemek için kullanılabilir.

NOT: Uzun esnek köşe aparatı, mobilya altları ve araba gibi ulaşması zor alanların temizlenmesi için idealdir.

Aksesuar Çantası*

İlave aksesuarlar aksesuar çantasında saklanabilir.

DUVARA MONTAJ*

Depolamak ve alandan tasarruf sağlamak için cihazınız ürünle birlikte verilen üç vida ve vida tapası kullanılarak duvara sabitlenebilir. [2]

TEMİZLEYİCİNİZİN BAKIMI

Toz Haznesinin Boşaltılması

1. Boru ayırma düğmesine basın ve boruyu çıkarın.
2. Hazne kapağını açmak ve içeriği boşaltmak için Toz kapağı açma düğmesine basın. [6]
3. Toz haznesini geri kapatın, tamamen sabitlendiğinde bir 'tık' sesi duyacaksınız.

NOT: Toz haznesinin her kullanım sonrasında veya toz maksimum dolma çizgisine geldiğinde boşaltılması önerilir.

Toz haznesini ve filtreyi temizleyiniz

1. Boru ayırma düğmesine basın ve boruyu çıkarın.
2. Hazne kapağını açmak ve içeriği boşaltmak için toz kapağı açma düğmesine basın. [6]
3. Batarya ayırma düğmesine basın ve batarya takımını çıkarın. [3]
4. Toz haznesini ayırma düğmesine basın ve toz haznesini ana gövdeden ayırın. [7]
5. Ağ filtre çerçevesini saat yönünün tersine çevirin ve üründen çıkarın. [8]
6. Çıkış filtresini ayırmak için çıkış filtresi ayırma düğmelerine basın. [9]
7. Süngerli çıkış filtresinden ayırın ve çıkış filtresini çerçevesinden çıkarın. [10]
8. Çıkış filtresini temizlerken süngeri ve çıkış filtresi çerçevesini ılık suyla yıkayın ve 24 saat kadar kurumaya bırakın. Yeniden monte etmeden önce lütfen tüm parçaların tamamen kurduğundan emin olun. [11, 12]
9. Tek siklon temizliği sırasında, ağ filtreyi ve toz haznesini ılık suyla yıkayın ve 24 saat kadar kurumaya bırakın. Yeniden monte etmeden önce lütfen tüm parçaların tamamen kurduğundan emin olun. [11, 12]
10. Yeniden elektrikli süpürgeyi ana gövdesine takmadan önce tamamen kurumasını bekleyin. [12]

NOT: Filtreleri temizlerken sıcak su veya deterjan kullanmayın. Filtrelerin hasar görmesi durumunda, Orijinal Hoover yedek parçası kullanın. Ürünü filtre takılı değilken kullanmaya çalışmayın.

ÖNEMLİ: En yüksek performans için filtreyi her zaman temiz tutun. Filtrenin en az ayda bir kez yıkanmasını öneririz.

Yoğun Zemin Rulosunun Değiştirilmesi ve Temizlenmesi

ÖNEMLİ: Döner fırçayı değiştirmeden veya temizlemeden önce her zaman süpürgeyi kapatın ve çıkarılabilir batarya takımını ayırın.

1. Başlığı borudan çıkarın. [14]
2. Başlığı Yoğun Zemin Rulosu size bakacak şekilde konumlandırın. Döner fırça ayırma sistemi kolunu yukarı çekin ve Yoğun Zemin Rulosunu çıkarın. [15a]
3. Makas kullanarak Yoğun Zemin Rulosundaki tüm kalıntıları, lifleri ve saçları temizleyin. [15b]
4. Yoğun Zemin Rulosunu yerine takın ve döner fırça ayırma sistemini eski konumuna getirin. [15c]

Pillerin Değiştirilmesi

Süpürge, şarj edilebilir Lityum iyon çıkarılabilir batarya takımı ile donatılmıştır ve bu parça değiştirilebilir. Ayrıca, batarya ürün dışındayken de şarj edilebilir.

UYARI: Yalnızca elektrik süpürge için onaylanmış yedek parçaları kullanın. Hoover tarafından onaylanmamış parçaların kullanılması tehlikelidir ve garantinizi geçersiz kılar.

UYARI: Çıkarılabilir batarya takımını kendi kendinize açmaya ya da onarmaya çalışmayın.

1. Çıkarılabilir batarya takımı ayırma düğmesine basın; bu parça ana gövdeden ayrılacaktır.
2. Eski çıkarılabilir batarya takımını çıkarın ve yenisiyle değiştirin.
3. Pilleri güvenli bir şekilde imha edin. Kullanılmış bataryaların geri dönüştürme istasyonuna götürülmeleri ve evsel atıkla atılmamaları gerekir.

* Sadece bazı modeller için

SORUN GİDERME

Elektrikli süpürgeyle ilgili bir sorun yaşıyorsanız, Hoover Müşteri Hizmetleri Merkezi'ni aramadan önce aşağıdaki kontrol listesini inceleyin:

A. Elektrikli süpürge açılmıyor

Pil takımının şarj olup olmadığını kontrol edin.

Batarya grubunun yerine monte edilmiş olup olmadığını kontrol edin.

B. Emme zayıf veya emme yapılmıyor.

Toz haznesini boşaltın ve örgü filtresi ve siklon ayırıcıyı yıkayın.

Başlığı çıkarın ve kanalda tıkanma olup olmadığını kontrol edin.

C. Bataryalar şarj edilemiyor

Aksi halde bataryanız şarj olmayacağından sürekli mod anahtarının etkin olmadığından emin olun. Bu durum ürün uzun süre kullanılmadığında veya saklandığında da gerçekleşebilir. Batarya değişimi için Hoover müşteri hizmetlerine başvurun. Sorun devam ederse Hoover Müşteri Hizmetleri Merkezi'ne başvurun.

HOOVER YEDEK PARÇA VE SARF MALZEMELERİ

Parçaları daima orijinal Hoover parçaları ile değiştirin. Bu parçaları Hoover servislerinden tedarik edebilirsiniz. Parça siparişi verirken mutlaka cihazın model numarasını belirtin.

GARANTİNİZ

Bu cihaz için garanti koşulları, cihazın satıldığı ülkedeki temsilcimiz tarafından tanımlanmaktadır. Bu koşullara ilişkin ayrıntılar cihazın satın alındığı bayiden edinilebilmektedir. Bu garanti koşulları altında yapılan talepte satış fişi(faturası) ve makbuzu ibraz edilmiş olmalıdır.

ÖNEMLİ: Bu süpürgedeki pil satın alma tarihinden itibaren 6 ay için garantilidir. 6 ay sonra, yeni bataryanın maliyeti ile ilgili sorumluluk müşteriye ait olacaktır.

Haber verilmeksizin değişiklikler yapılabilir.

